

PARTS LIST

WESTERBEKE

13 • 18 • 21 • 27 • 33

Marine Diesel Engines

4.4 • 6 • 7.7 • 8 • 11 • 12.5 KW

Marine Diesel Generators

Publication # 32139

Edition Four

July 1986



WESTERBEKE CORPORATION
MYLES STANDISH INDUSTRIAL PARK
150 JOHN HANCOCK ROAD, TAUNTON, MA 02780-7319

PARTS LIST

WESTERBEKE

13 • 18 • 21 • 27 • 33

Marine Diesel Engines

4.4 • 6 • 7.7 • 8 • 11 • 12.5 KW

Marine Diesel Generators

Publication # 32139

Edition Four

July 1986



WESTERBEKE CORPORATION
MYLES STANDISH INDUSTRIAL PARK
150 JOHN HANCOCK ROAD, TAUNTON, MA 02780-7319

IMPORTANT

PRODUCT SOFTWARE NOTICE

Product software of all kinds, such as brochures, drawings, technical data, operator's and workshop manuals, parts lists and parts price lists, and other information, instructions and specifications provided from sources other than Westerbeke, is not within Westerbeke's control and, accordingly, is provided to Westerbeke customers only as a courtesy and service. WESTERBEKE CANNOT BE RESPONSIBLE FOR THE CONTENT OF SUCH SOFTWARE, MAKES NO WARRANTIES OR REPRESENTATIONS WITH RESPECT THERETO, INCLUDING THE ACCURACY, TIMELINESS OR COMPLETENESS THEREOF, AND WILL IN NO EVENT BE LIABLE FOR ANY TYPE OF DAMAGES OR INJURY INCURRED IN CONNECTION WITH, OR ARISING OUT OF, THE FURNISHING OR USE OF SUCH SOFTWARE.

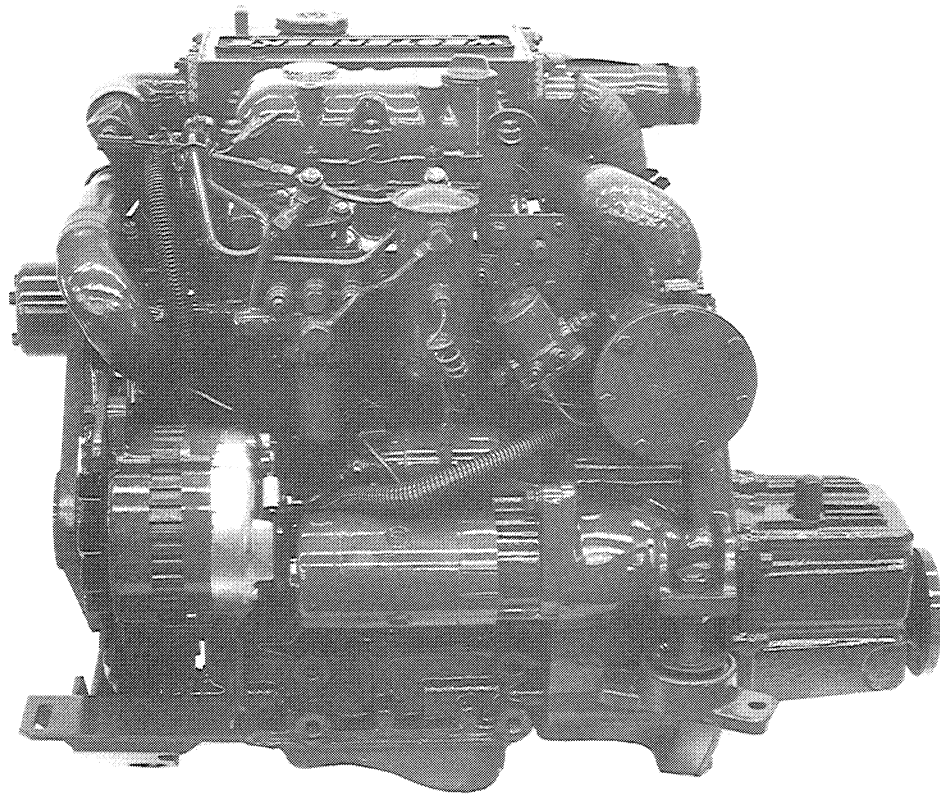
For example, components and sub-assemblies incorporated in Westerbeke's products and supplied by others (such as engine blocks, fuel systems and components, transmissions, electrical components, pumps and other products) are generally supported by their manufacturers with their own software, and Westerbeke must depend on such software for the design of Westerbeke's own product software. Such software may be outdated and no longer accurate. Routine changes made by Westerbeke's suppliers, of which Westerbeke rarely has notice in advance, are frequently not reflected in the supplier's software until after such changes take place.

Westerbeke customers should also keep in mind the time span between printings of Westerbeke product software, and the unavoidable existence of earlier, non-current Westerbeke software editions in the field. Additionally, most Westerbeke products include customer-requested special features that frequently do not include complete documentation.

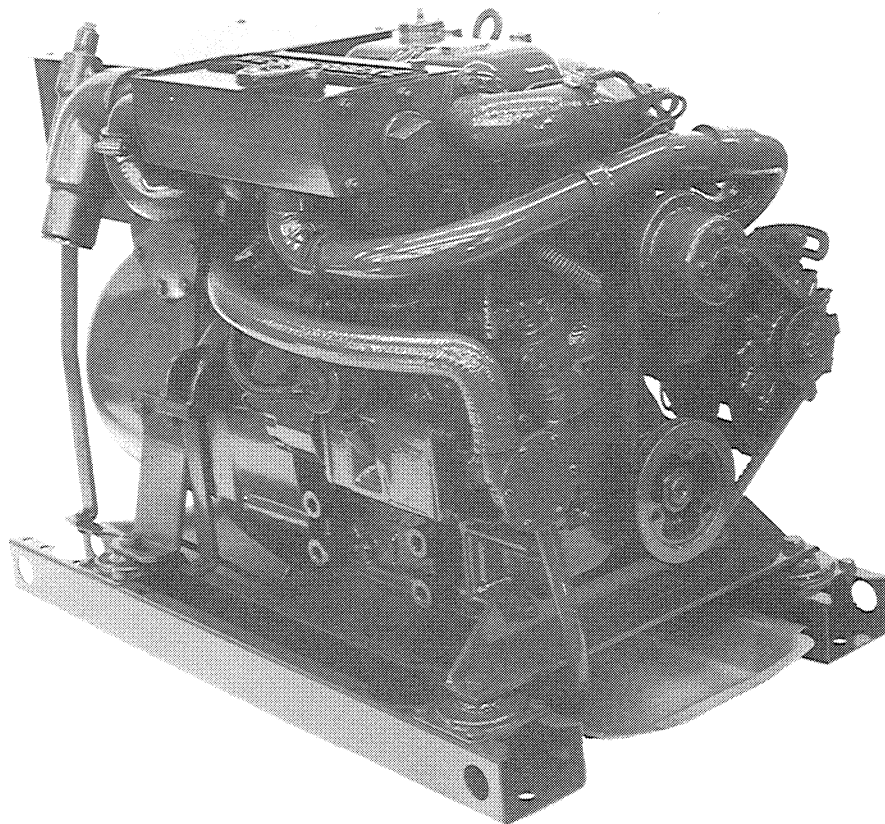
In sum, product software provided with Westerbeke products, whether from Westerbeke or other suppliers, must not and cannot be relied upon exclusively as the definitive authority on the respective product. It not only makes good sense, but is imperative that appropriate representatives of Westerbeke or the supplier in question be consulted to determine the accuracy and currency of the product software being consulted by the customer.

THIS PARTS LIST COVERS A FAMILY OF FIVE ENGINE BLOCKS USED FOR PROPULSION AND GENERATOR APPLICATIONS. THE ORIGINAL VERSION OF EACH INCORPORATED A TWO PASS WATER COOLED EXHAUST MANIFOLD AND A COMMON FLYWHEEL HOUSING FOR BOTH PROPULSION AND GENERATOR. THE SECOND OR "A" VERSION HAS A SINGLE PASS WATER COOLED EXHAUST MANIFOLD, GENERATORS ARE BRUSHLESS AND THE OVER-ALL SIZE HAS BEEN MADE MORE COMPACT ON BOTH THE PROPULSION AND GENERATOR UNITS.

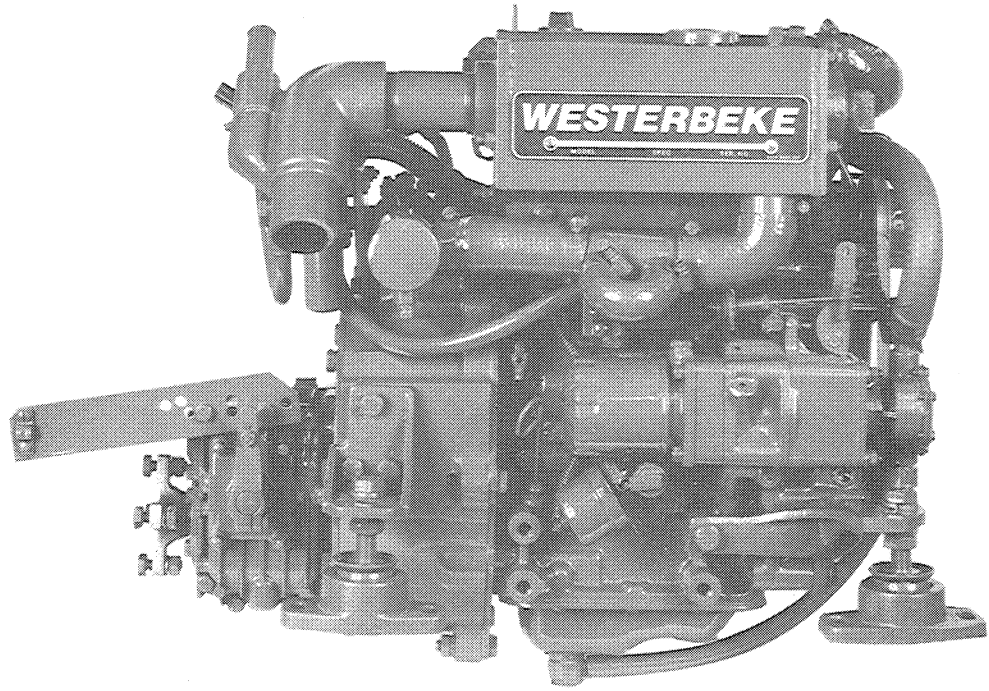
REFERENCES IN THE BOOK FOR ENGINE COMPONENTS MAY INDICATE THE PROPULSION MODEL BUT ARE ACTUALLY APPLICABLE TO BOTH PROPULSION AND GENERATOR UNITS. (IE: PISTONS, FILTERS, GASKETS, PUMPS, BEARINGS, ETC.)



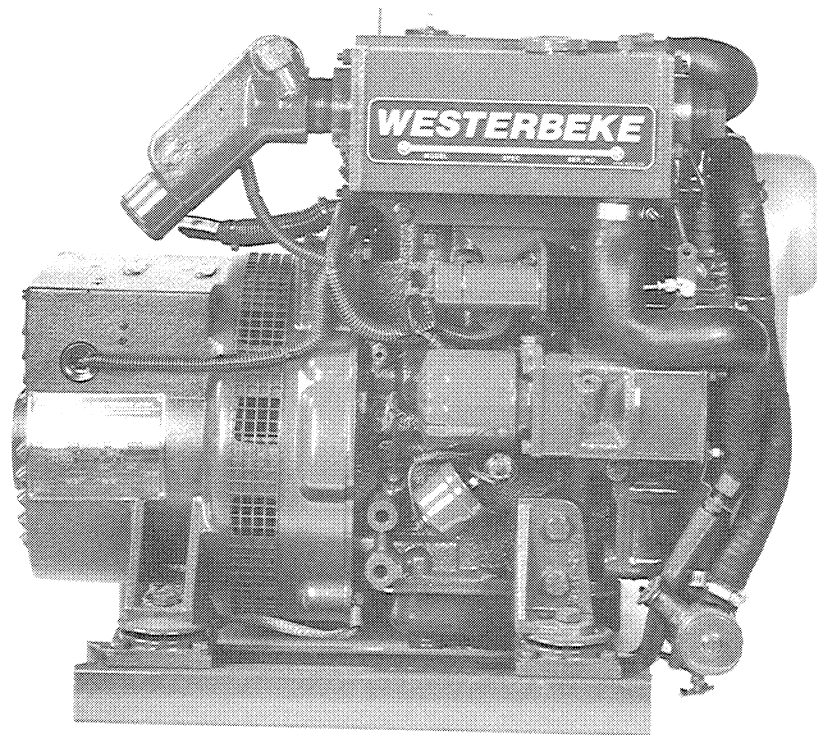
WESTERBEKE 13



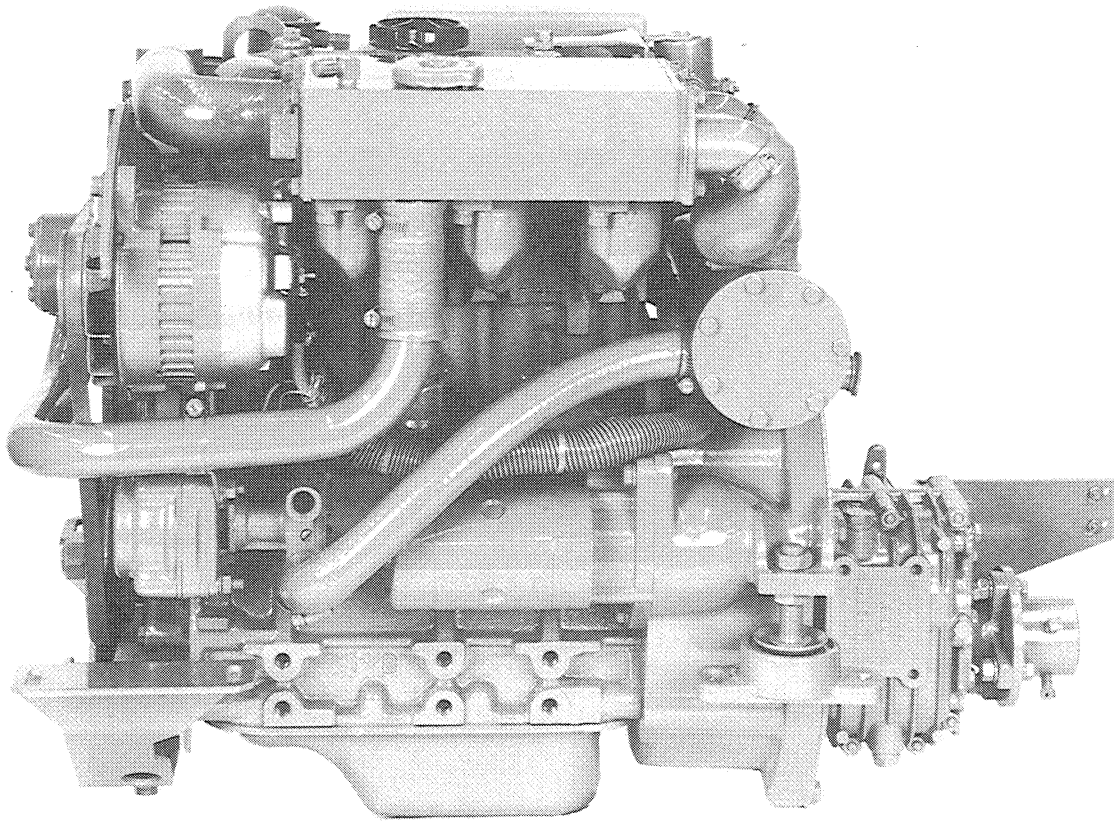
WMD 4.4KW GENERATOR



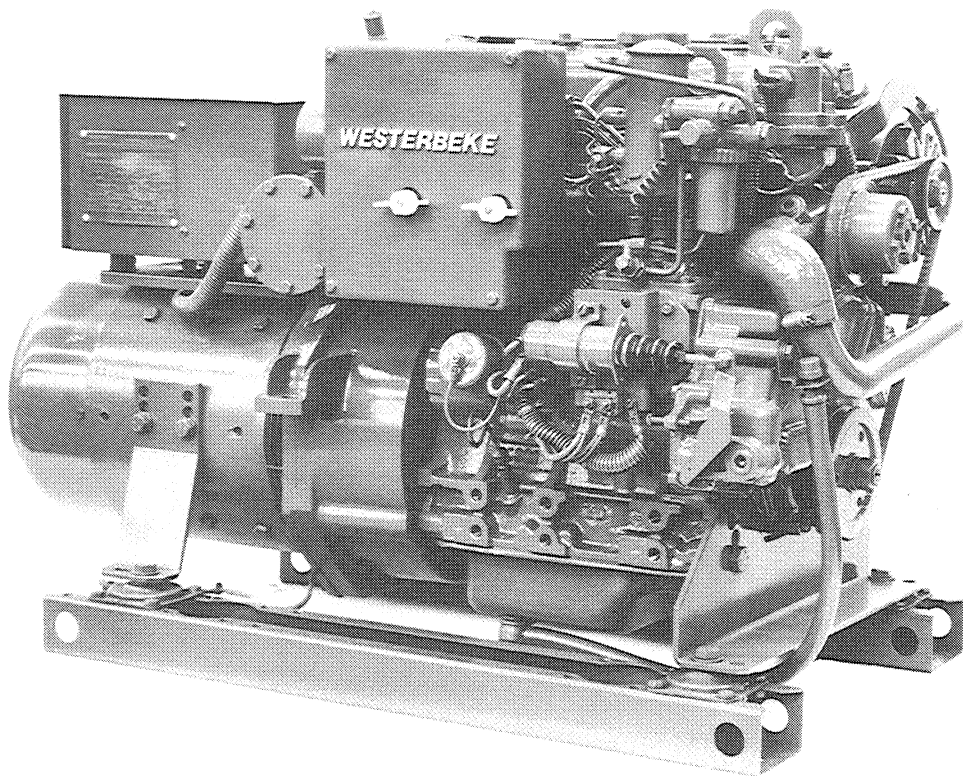
WESTERBEKE 13A



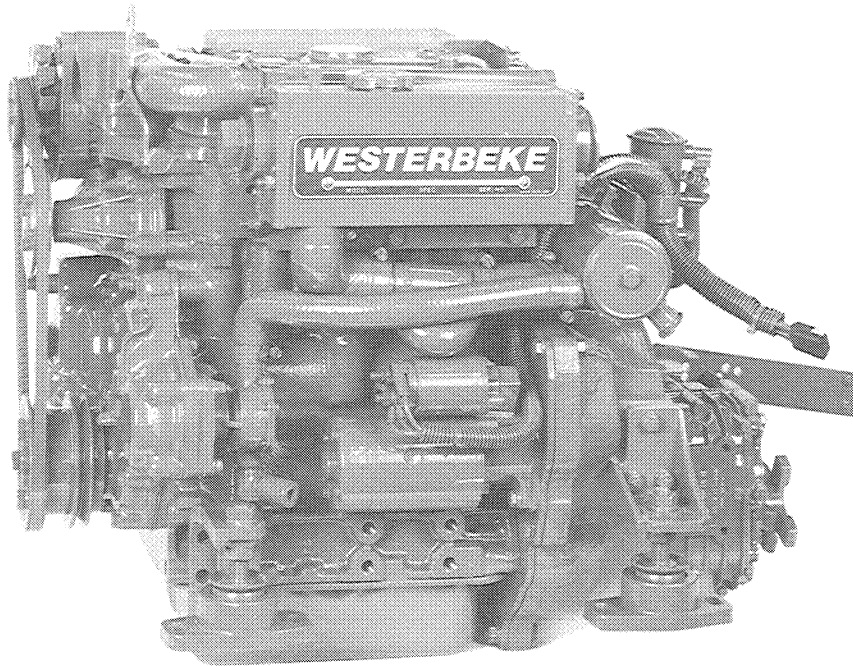
BCD-4.4KW GENERATOR



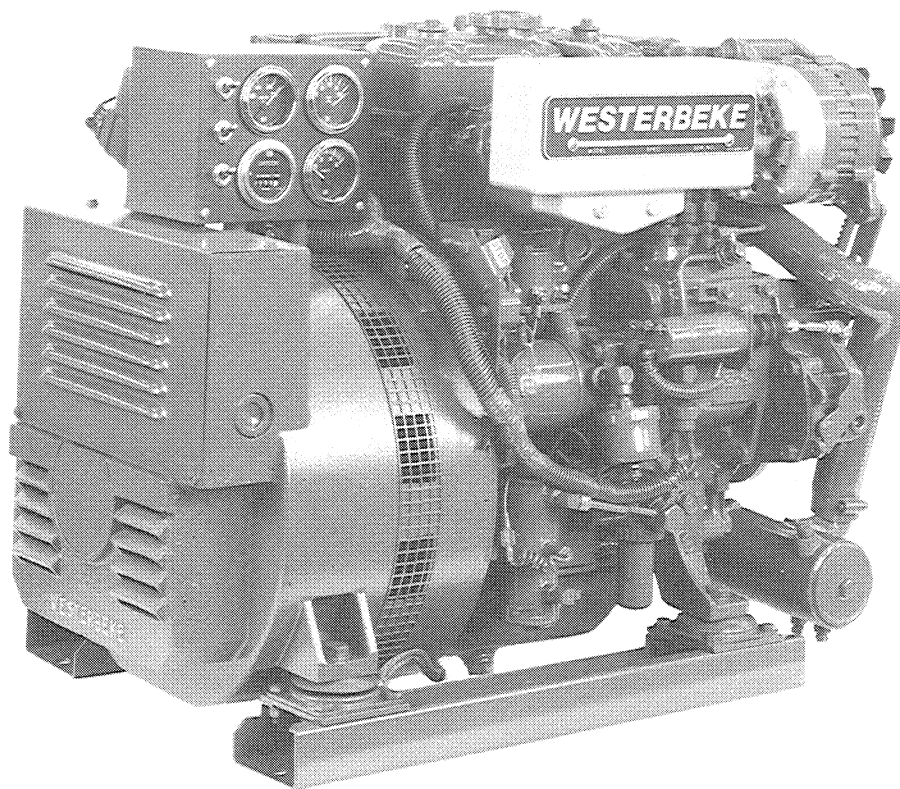
WESTERBEKE 21



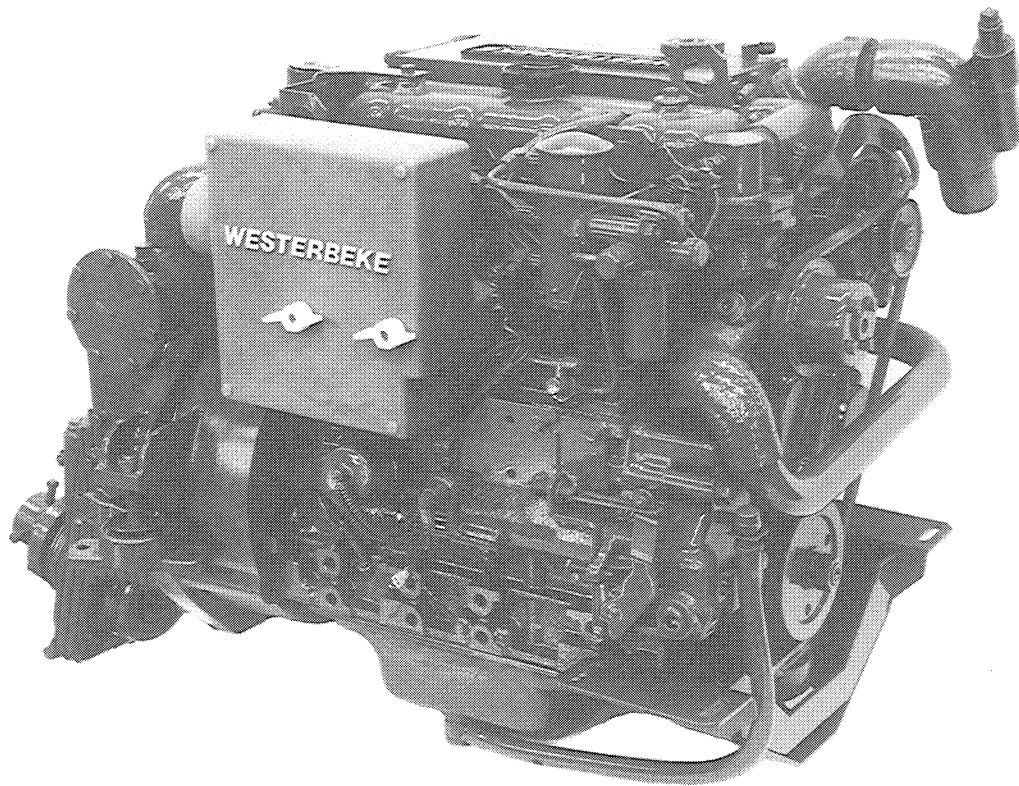
WMD 7.7-8KW GENERATOR



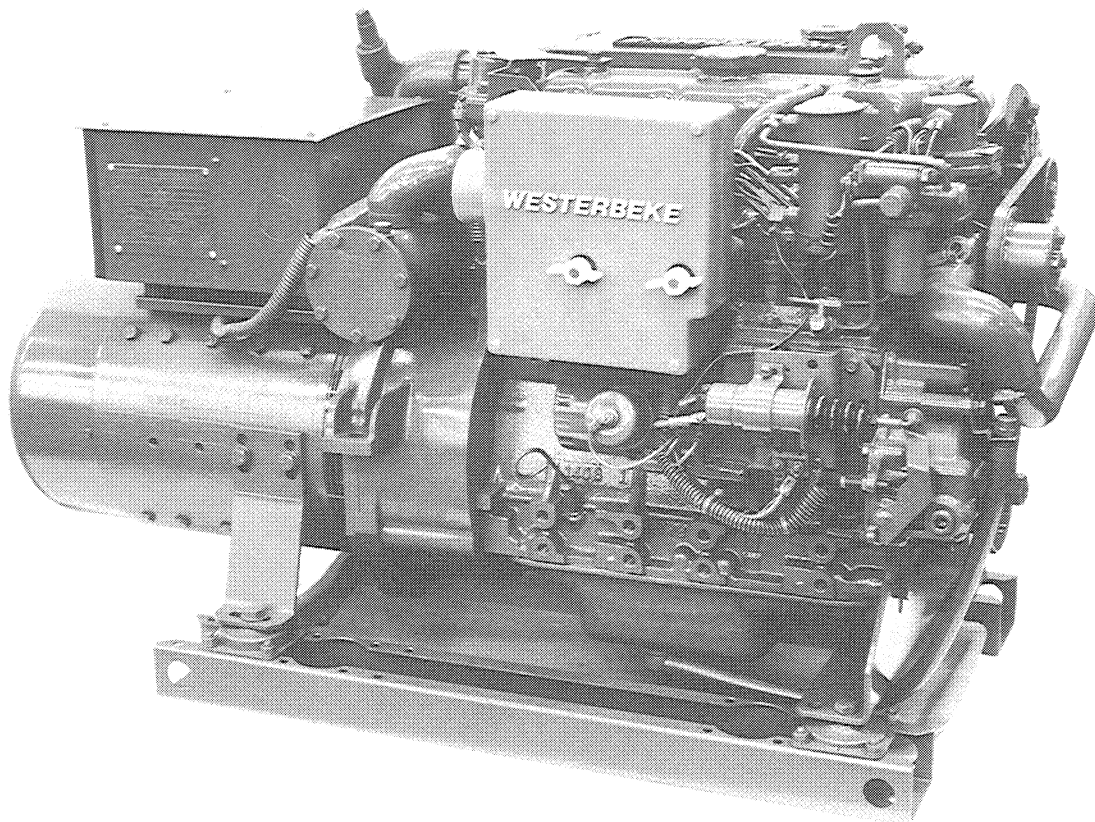
WESTERBEKE 21A



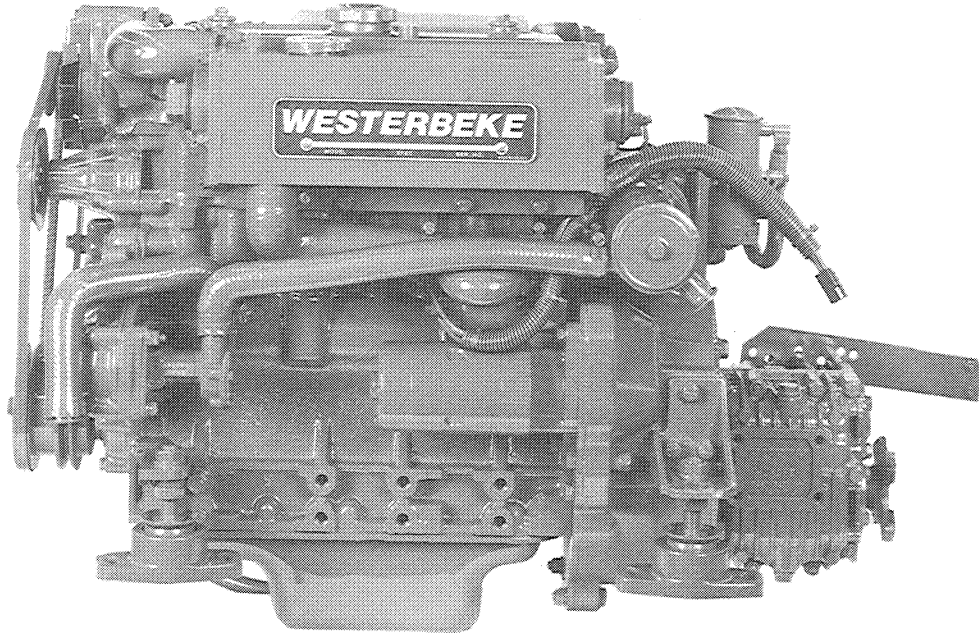
BTD-8KW GENERATOR



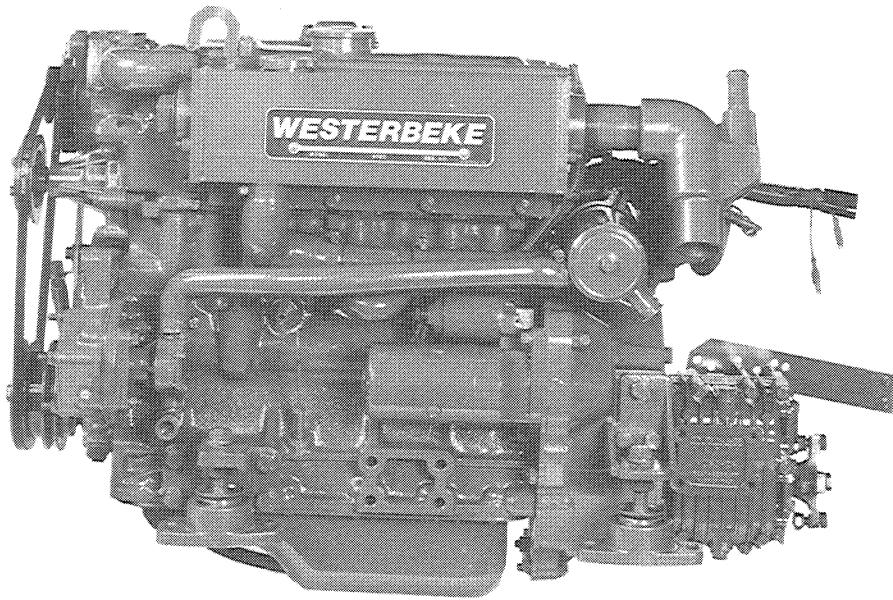
WESTERBEKE 27



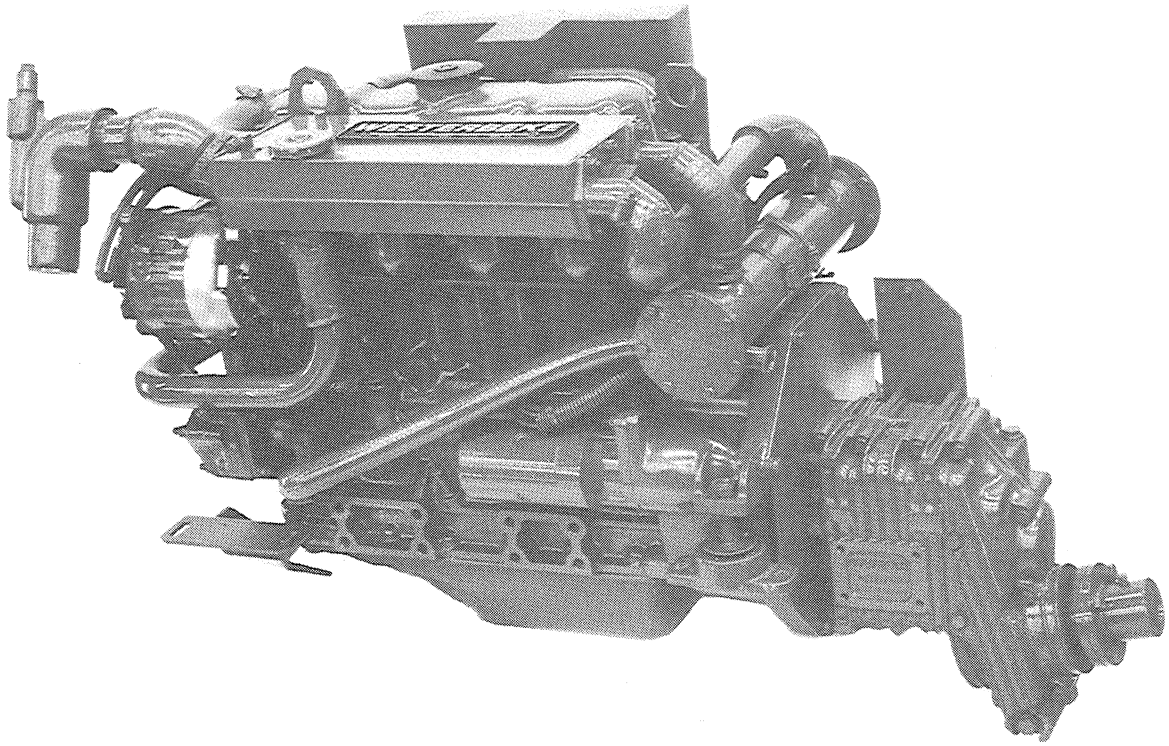
WMD 11KW GENERATOR



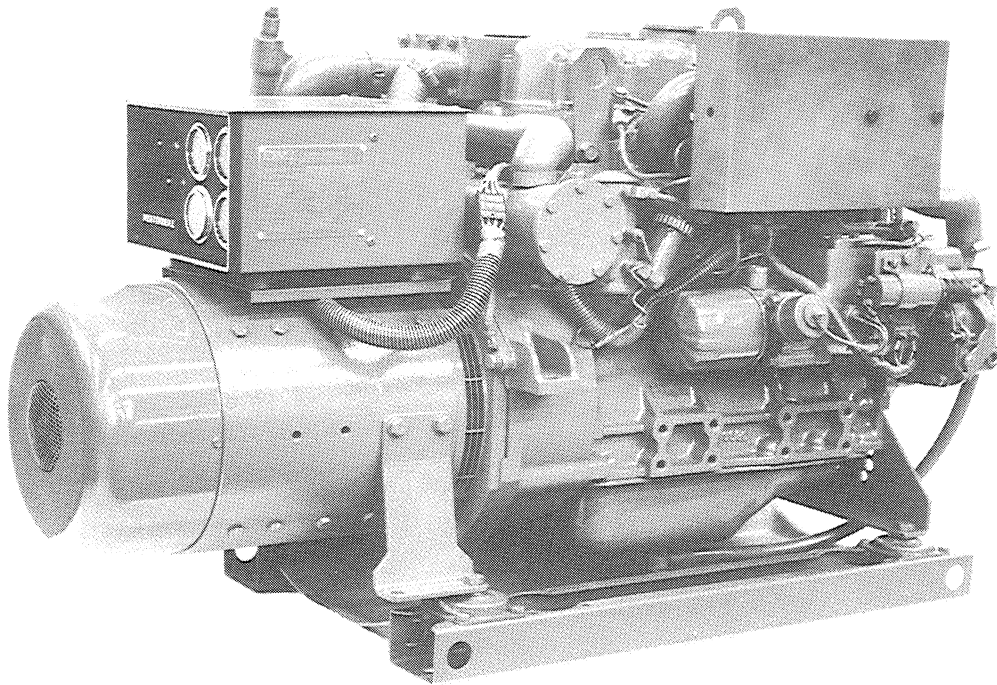
WESTERBEKE 27A



WESTERBEKE 33A



WESTERBEKE 33

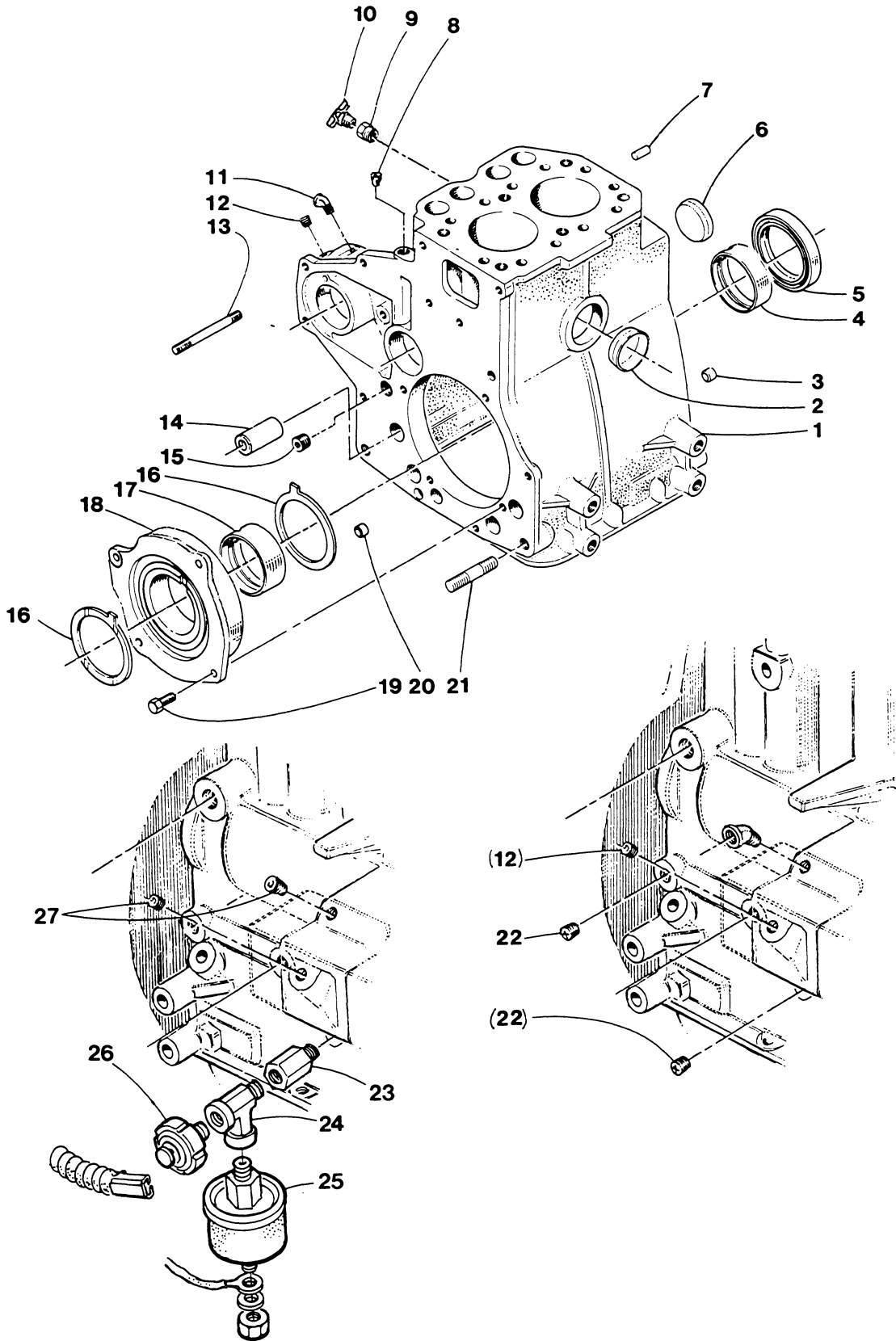


WMD 12.5KW GENERATOR

TABLE OF CONTENTS

200	WESTERBEKE	13 - CYLINDER BLOCK
202	WESTERBEKE	18-21-27-33 - CYLINDER BLOCK
206	WESTERBEKE	13 - CYLINDER HEAD
208	WESTERBEKE	18-21-27-33 - CYLINDER HEAD
212	WESTERBEKE	13 - TIMING COVER AND SUMP
214	WESTERBEKE	18-21-27-33 - TIMING COVER AND SUMP
218	WESTERBEKE	13-18-21-27-33 - CRANKSHAFT AND PISTONS
222	WESTERBEKE	13-18-21-27-33 - CAMSHAFT AND ROCKER SHAFT
226	WESTERBEKE	13-18-21-27-33 - LUBE OIL PUMP
230	WESTERBEKE	13-18-21-27-33 - INTAKE MANIFOLD AND SILENCER
234	WESTERBEKE	EXTRUDED EXHAUST MANIFOLD (2 PASS)
238	WESTERBEKE	13-21-27-33 - COOLING SYSTEM
242	WESTERBEKE	13-21-27-33 - FLOWCONTROLLER
244	WESTERBEKE	13-21-27-33 - WATER INJECTED EXHAUST
246	WESTERBEKE	13A - COOLING SYSTEM
250	WESTERBEKE	BC-4.4KW GENERATOR - COOLING SYSTEM
254	WESTERBEKE	18-21A-27A-33A - COOLING SYSTEM
258	WESTERBEKE	BC-6KW GENERATOR - COOLING SYSTEM
262	WESTERBEKE	BT-8KW GENERATOR - COOLING SYSTEM
266	WESTERBEKE	13-18-21-27-33 - FRESH WATER PUMP
270	WESTERBEKE	13-21-27-33 - SEA WATER PUMP NUMBER 24143
272	WESTERBEKE	13-18-21-27-33 - SEA WATER PUMP NUMBER 33636
274	WESTERBEKE	13 - GOVERNOR
276	WESTERBEKE	18-21-27-33 - GOVERNOR
278	WESTERBEKE	13-18-21-27-33 - IDLE STOP ASSEMBLY
280	WESTERBEKE	4.4-6-7.7-8-11-12.5KW - FUEL SOLENOID
282	WESTERBEKE	13 - FUEL SYSTEM
286	WESTERBEKE	21-27-33 - FUEL SYSTEM
290	WESTERBEKE	13A - BC-4.4KW - FUEL SYSTEM
294	WESTERBEKE	18-21A-27A-33A - FUEL SYSTEM
298	WESTERBEKE	BC-6KW - BT-8KW - FUEL SYSTEM
302	WESTERBEKE	13-18-21-27-33 - FUEL INJECTOR
304	WESTERBEKE	13-21-27-33 - BACK END - MARINE MOUNTING SYSTEM
308	WESTERBEKE	13A-18-21A-27A-33A - BACK END - MOUNTING SYSTEM
312	WESTERBEKE	13-21-27-33 - TRANSMISSION - COUPLING
314	WESTERBEKE	SHIFT CONNECTION ON HBW TRANSMISSIONS
316	WESTERBEKE	13-21-27-33 - ELECTRICAL SYSTEM
318	WESTERBEKE	13A-18-21A-27A-33A - ELECTRICAL SYSTEM
320	WESTERBEKE	4.4-7.7-8-11-12.5KW ELECTRICAL SYSTEM
322	WESTERBEKE	BC-4.4KW - BC-6KW - BT-8KW - ELECTRICAL SYSTEM
326	WESTERBEKE	MARINE INSTRUMENT PANEL
328	WESTERBEKE	GENERATOR CONTROL PANEL
330	WESTERBEKE	BC-4.4KW - BC-6KW - GENERATOR CONTROL PANEL
332	WESTERBEKE	BT-8KW - GENERATOR CONTROL PANEL
334	WESTERBEKE	13-18-21-27-33 - ALTERNATOR
336	WESTERBEKE	13-21-27-33 - STARTER MOTOR
338	WESTERBEKE	BC-4.4KW - BC-6KW - GENERATOR - BACK END - MOUNT
342	WESTERBEKE	BC-4.4KW - BC-6KW - GENERATOR AC OUTPUT
344	WESTERBEKE	BT-8KW - GENERATOR - BACK END - MOUNTING SYSTEM
348	WESTERBEKE	BT-8KW - GENERATOR AC OUTPUT
350	WESTERBEKE	4.4-7.7-11-12.5KW - GENERATOR MOUNTING SYSTEM
352	WESTERBEKE	4.4-6-7.7-8-11-12.5KW - GENERATOR 2 OR 4 WIRE 60HZ
358	WESTERBEKE	4.4-7.7-11-12.5KW - GENERATOR 3 WIRE 60HZ
362	WESTERBEKE	GENERATOR BELT GUARD
364	WESTERBEKE	13-18-21-27-33 - MISCELLANEOUS

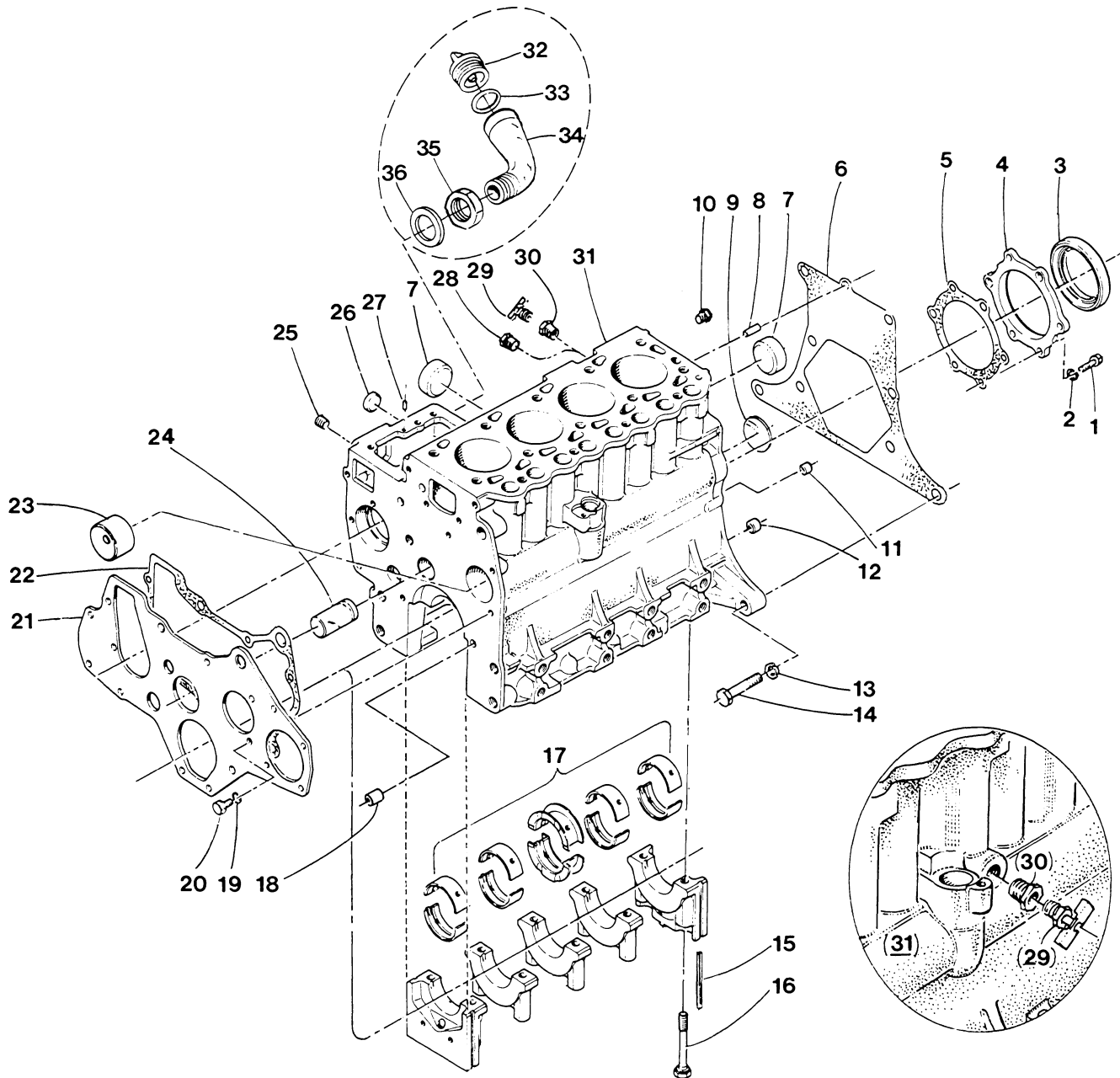
WESTERBEKE 13 - CYLINDER BLOCK



WESTERBEKE 13 - CYLINDER BLOCK

REF	PN	NAME	REMARKS	QUAN
1- 1	34931	BLOCK	ASSEMBLY-GOVERNOR SET FOR GENSET	1
1- 2	35386	BLOCK	ASSEMBLY-PROPULSION	1
1- 3	30335	BLOCK	BARE	1
2	33657	PLUG	EXPANSION-40	2
3	30708	DOWEL	TUBULAR 10X9	1
4- 1	30354	BEARING	CRANKSHAFT-STD	1
4- 2	30355	BEARING	CRANKSHAFT-0.25	1
4- 3	30356	BEARING	CRANKSHAFT-0.50	1
4- 4	30357	BEARING	CRANKSHAFT-0.75	1
5	30300	SEAL	OIL	1
6	30286	PLUG	EXPANSION-40	1
7	30272	DOWEL		1
8	30204	CONNECTOR	OIL LINE	1
9	24752	BUSHING	1/4BSPT TO 1/8NPT	1
10	11471	PETCOCK	BLOCK DRAIN	1
11- 1	24844	ADAPTER	1/8BSPT TO 1/8NPT-W13	2
11- 2	15122	ELBOW	STREET 1/8NPT 45 DEGREE-W13	2
12	30711	PLUG	1/8BSPT SOCKET HEAD	1
13	32016	STUD	M8 X 75 DIN 939	2
14	30318	SHAFT	GOVERNOR GEAR	1
15	30206	PLUG	1/4BSPT SOCKET HEAD WITH HOLE	1
16	30301	BEARING	CRANKSHAFT THRUST	2
17- 1	30354	BEARING	CRANKSHAFT-STD	1
17- 2	30355	BEARING	CRANKSHAFT-0.25	1
17- 3	30356	BEARING	CRANKSHAFT-0.50	1
17- 4	30357	BEARING	CRANKSHAFT-0.75	1
18	30344	HOUSING	WITH STD BEARING	1
19	17196	CAPSCREW	M8 X 20 DIN 933	4
20	30706	DOWEL	TUBULAR 8X9	2
21	31280	STUD	M12 X 1.25 X 60 7T	2
22	30239	PLUG	1/16	2
23	24844	ADAPTER	1/8BSPT TO 1/8NPT-W13A	1
24	35145	TEE	1/8NPT STREET-W13A	1
25	24132	SENDER	OIL PRESSURE	1
26- 1	34761	SWITCH	OIL PRESSURE-PROPULSION ALARM	1
26- 2	33348	SWITCH	OIL PRESSURE-GENSET SAFETY	1
27	30711	PLUG	1/8BSPT SOCKET HEAD-W13A	2

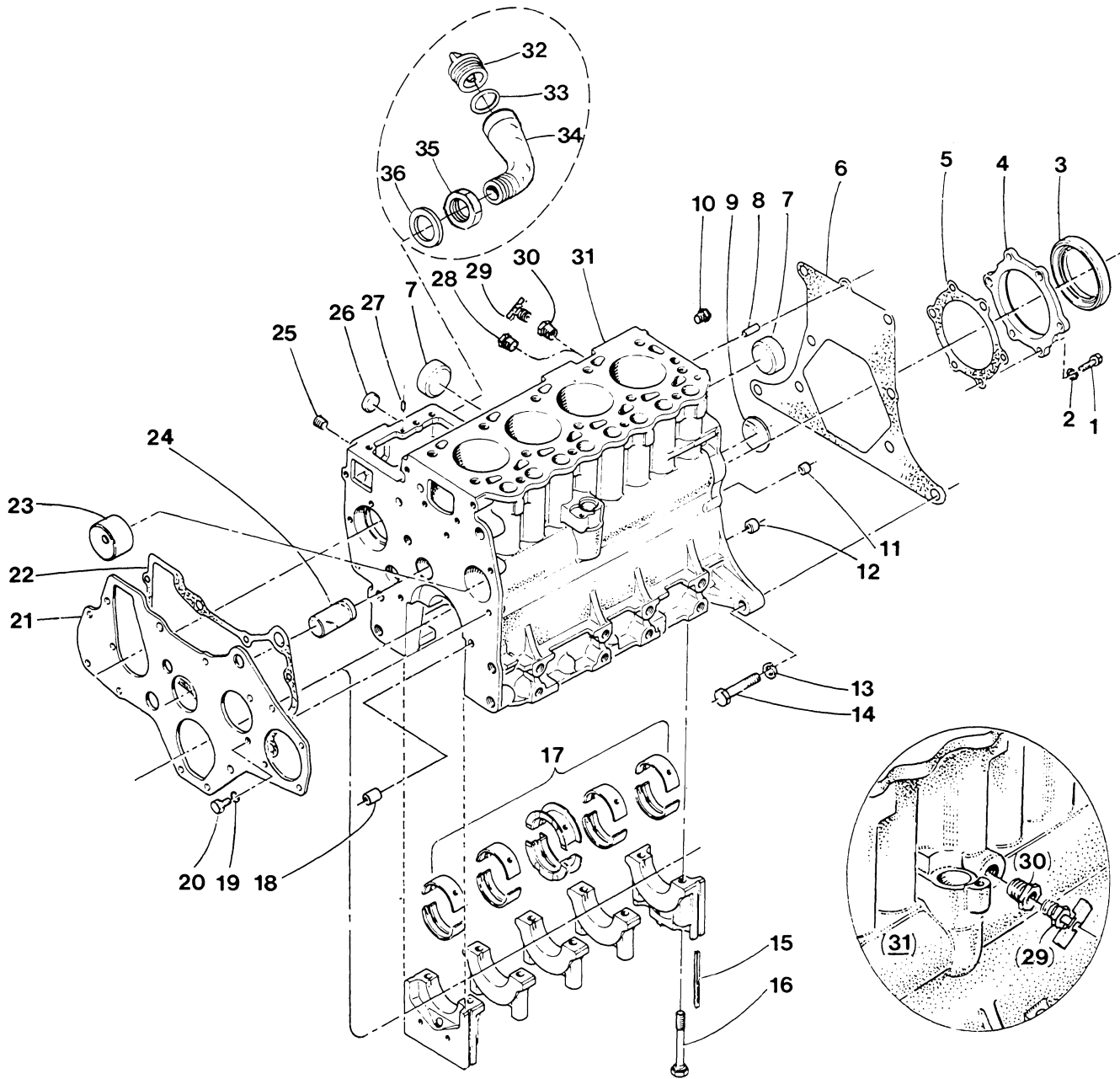
WESTERBEKE 18-21-27-33 - CYLINDER BLOCK



WESTERBEKE 18-21-27-33 - CYLINDER BLOCK

REF	PN	NAME	REMARKS	QUAN
1- 1	13630	CAPSCREW	M8 X 25 DIN 933-W18-21-27	6
1- 2	13630	CAPSCREW	M8 X 25 DIN 933-W33	7
2- 1	31786	LOCKWASHER	M8 DIN 127-W18-21-27	6
2- 2	31786	LOCKWASHER	M8 DIN 127-W33	7
3	30395	SEAL	OIL	1
4- 1	30489	HOUSING	OIL SEAL-W18-21-27	1
4- 2	30393	HOUSING	OIL SEAL-W33	1
5- 1	30490	GASKET	CIL SEAL HOUSING-W18-21-27	1
5- 2	30394	GASKET	OIL SEAL HOUSING-W33	1
6- 1	30491	GASKET	BACKPLATE-W18-21-27	1
6- 2	30400	GASKET	BACKPLATE-W33	1
7- 1	30717	PLUG	EXPANSION-45-W18-21	2
7- 2	30717	PLUG	EXPANSION-45-W27-33	3
8	30272	DOWEL	W18-21-27	1
9- 1	30286	PLUG	EXPANSION-40-W18-21-27	1
9- 2	30287	PLUG	EXPANSION-45-W33	1
10	30294	PLUG	SOCKET HEAD-W33	2
11	30706	DOWEL	TUBULAR 8X9	2
12- 1	30709	DOWEL	TUBULAR 12X9-W18-21-27	1
12- 2	30709	DOWEL	TUBULAR 12X9-W33	2
15	30390	SEAL	SIDE	4
16- 1	30389	BOLT	MAIN BEARING CAP-W18-21	8
16- 2	30389	BOLT	MAIN BEARING CAP-W27-33	10
17- 1	30479	BEARING	SET-MAIN-W18-21-STD	1
17- 2	30480	BEARING	SET-MAIN-W18-21-0.25	1
17- 3	30481	BEARING	SET-MAIN-W18-21-0.50	1
17- 4	30482	BEARING	SET-MAIN-W18-21-0.75	1
17- 5	30483	BEARING	SET-MAIN-W27-STD	1
17- 6	30484	BEARING	SET-MAIN-W27-0.25	1
17- 7	30485	BEARING	SET-MAIN-W27-0.50	1
17- 8	30486	BEARING	SET-MAIN-W27-0.75	1
17- 9	30396	BEARING	SET-MAIN-W33-STD	1
17-10	30397	BEARING	SET-MAIN-W33-0.25	1
17-11	30398	BEARING	SET-MAIN-W33-0.50	1
17-12	30399	BEARING	SET-MAIN-W33-0.75	1
18	30707	DOWEL	TUBULAR 8X13	2
19	31786	LOCKWASHER	M8 DIN 127	3
20	16789	CAPSCREW	M8 X 16 DIN 933	3
21- 1	30492	PLATE	FRONT-W18-21-27	1
21- 2	30401	PLATE	FRONT-W33	1
22- 1	30493	GASKET	FRONT PLATE TO BLOCK-W18-21-27	1
22- 2	30402	GASKET	FRONT PLATE TO BLOCK-W33	1
23- 1	30488	BUSHING	CAMSHAFT-W18-21-27	1
23- 2	30392	BUSHING	CAMSHAFT-W33	1
24	30487	SHAFT	IDLER GEAR	1
25- 1	30712	PLUG	1/4-W18-21-27	3
25- 2	30712	PLUG	1/4-W33	1
26- 1	24373	PLUG	EXPANSION-W18-21-27	2
26- 2	24349	PLUG	EXPANSION-W33	1
27	30224	DOWEL		2
28	30711	PLUG	1/8-W33	1

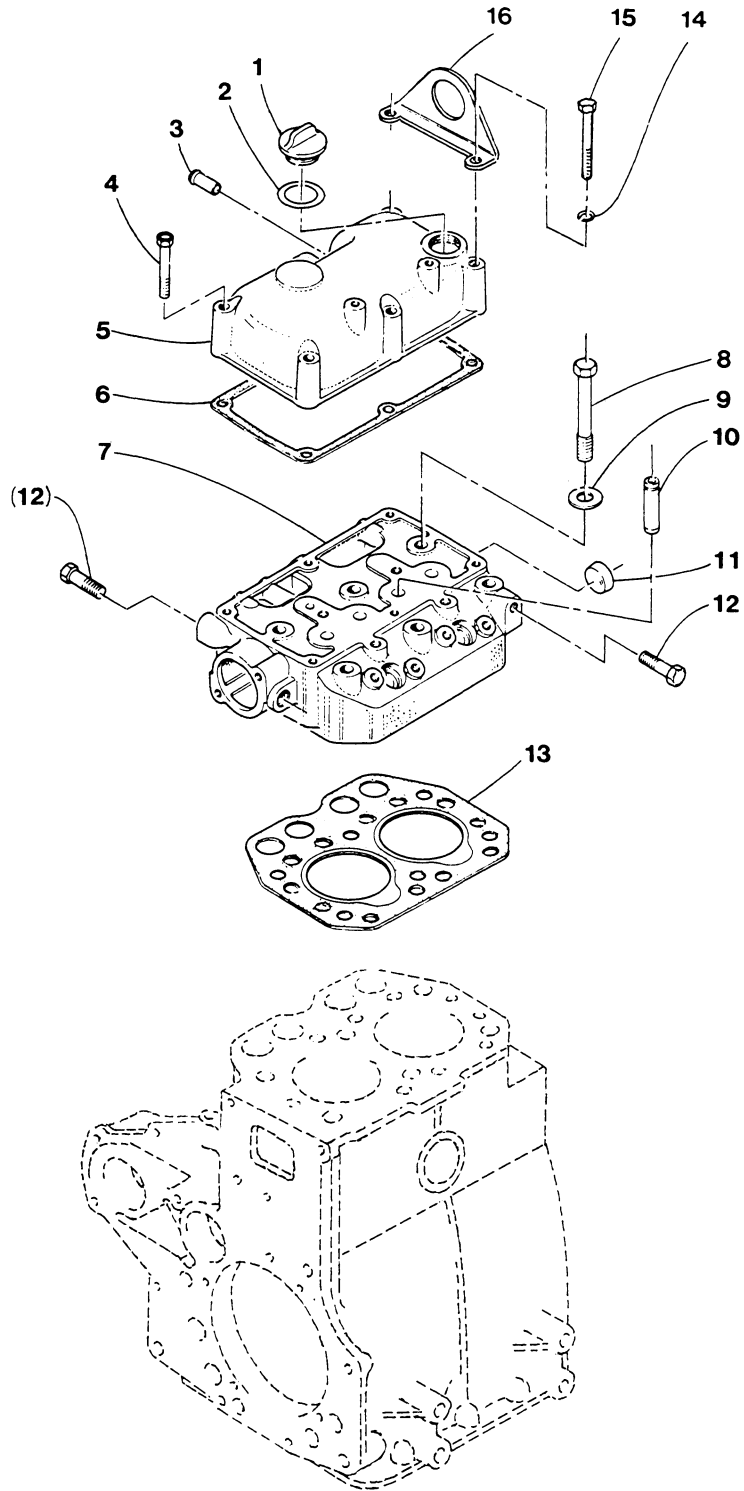
WESTERBEKE 1P-21-27-33 - CYLINDER BLOCK



WESTERBEKE 18-21-27-33 - CYLINDER BLOCK

REF	PN	NAME	REMARKS	QUAN
29	11471	PETCOCK		1
30	24752	BUSHING	1/4BSPT TO 1/8NPT	1
31- 1	35392	BLOCK	ASSEMBLY-W21	1
31- 2	34938	BLOCK	ASSEMBLY-8KW	1
31- 3	30502	BLOCK	BARE-W21-TO S/N 27902	1
31- 4	34675	BLOCK	BARE-W21-SIDE OIL FILL FROM S/N 27903	1
31- 5	35390	BLOCK	ASSEMBLY-W18	1
31- 6	34934	BLOCK	ASSEMBLY-6KW	1
31- 7	33793	BLOCK	BARE-6KW TO S/N 27075	1
31- 8	34674	BLOCK	BARE-6KW SIDE OIL FILL FROM S/N 27076	1
31- 9	34977	BLOCK	ASSEMBLY-W27	1
31-10	35398	BLOCK	ASSEMBLY-11KW	1
31-11	30501	BLOCK	BARE-W27	1
31-12	34979	BLOCK	ASSEMBLY-W33	1
31-13	35401	BLOCK	ASSEMBLY-12.5KW	1
31-14	30388	BLOCK	BARE-W33	1
32	33126	CAP	OIL FILLER WITH O-RING	1
33	33123	O-RING	OIL FILLER CAP	1
34	34670	ELBOW	OIL FILLER TO BLOCK	1
35	34669	NUT	OIL FILLER ELBOW	1
36	34667	WASHER	OIL FILLER ELBOW	1

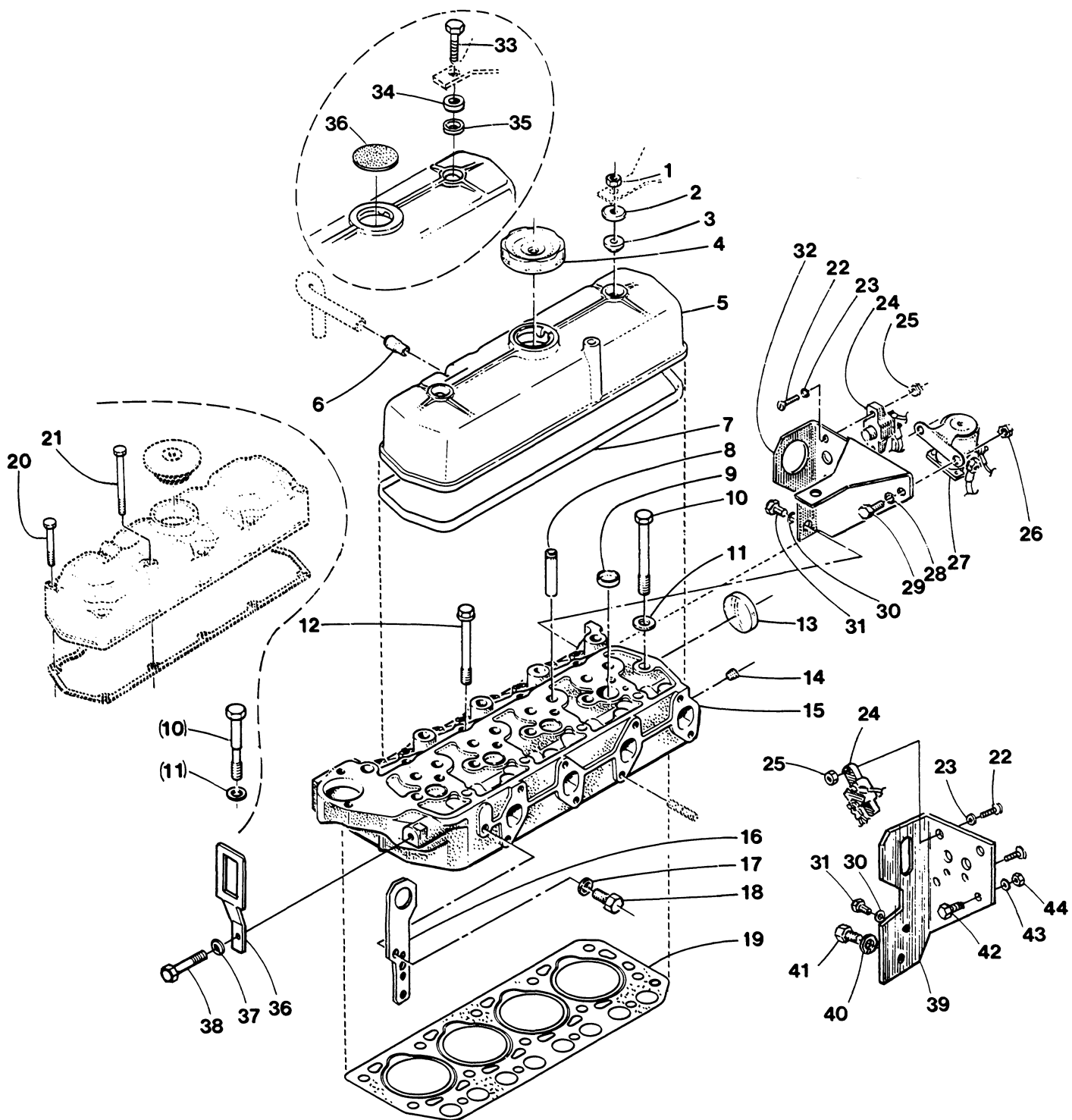
WESTERBEKE 13 - CYLINDER HEAD



WESTERBEKE 13 - CYLINDER HEAD

REF	PN	NAME	REMARKS	QUAN
1	30298	CAP	OIL FILLER WITH GASKET	1
2	30194	GASKET	OIL FILLER CAP	1
3	30219	TUBE		1
4	31811	CAPSCREW	M8 X 55 DIN 931	4
5	30343	COVER	ROCKER	1
6	30342	GASKET	ROCKER COVER	1
7	30341	HEAD	CYLINDER WITH PLUG AND VALVE GUIDES	1
8	30345	BOLT	CYLINDER HEAD	6
9	30243	WASHER	CYLINDER HEAD BOLT	6
10	30340	GUIDE	VALVE	4
11	24373	PLUG	EXPANSION-25	1
12	24953	CAPSCREW	M10 X 1.25 X 35 DIN 961	2
13	30339	GASKET	HEAD	1
14	31786	LOCKWASHER	M8 DIN 127	2
15	31225	CAPSCREW	M8 X 60 DIN 931	2
16	31171	EYE	LIFTING	1

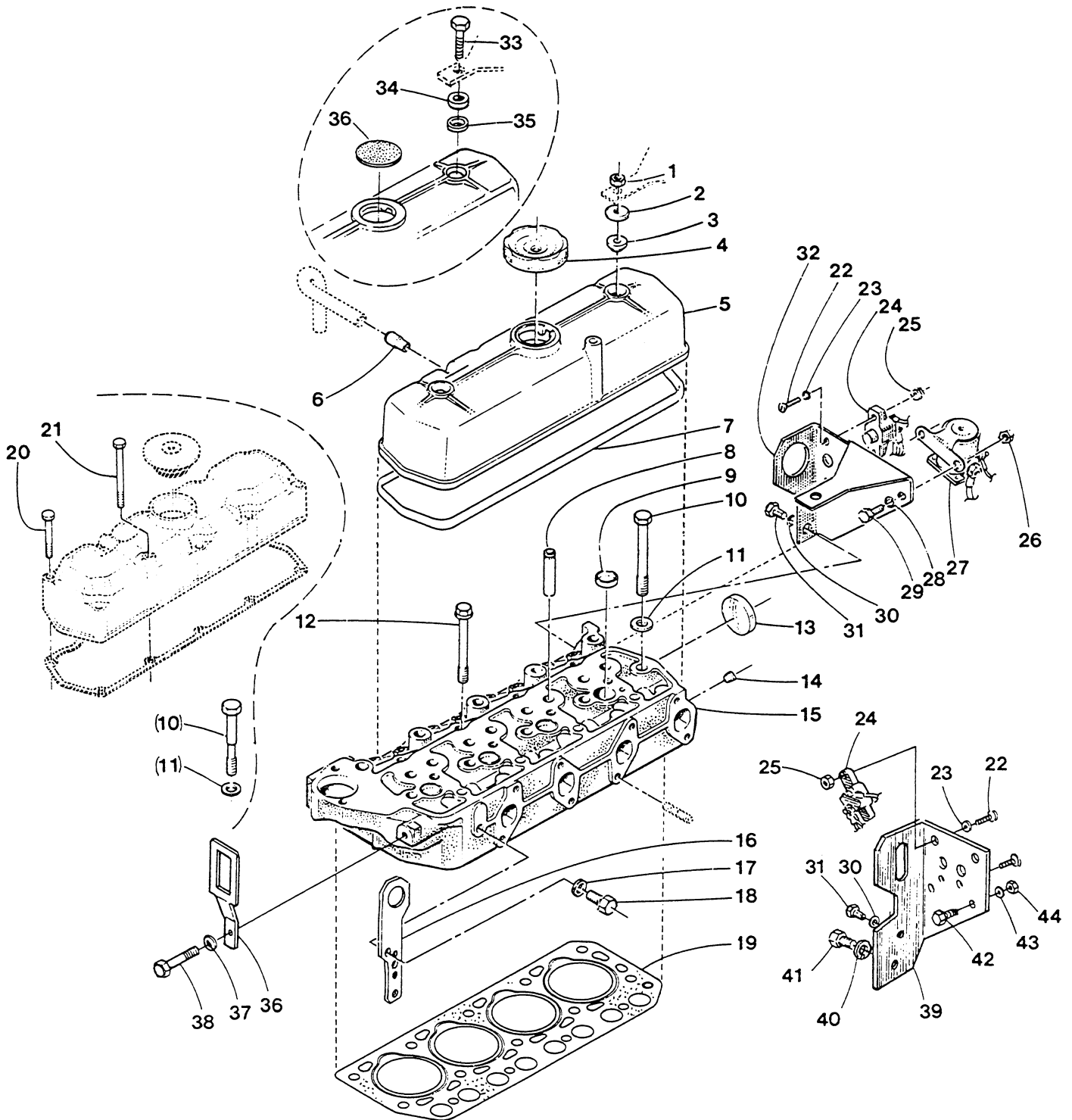
WESTERBEKE 18-21-27-33 - CYLINDER HEAD



WESTERBEKE 18-21-27-33 - CYLINDER HEAD

REF	PN	NAME	REMARKS	QUAN
1	018242	NUT	M 8 DIN 934 W21-27	2
2	030517	WASHER	W21-27	2
3	030780	SEAL	OIL-ROCKER COVER STUD W21-27	2
4-1	030237	CAP	OIL FILL TOP W18-21-27	1
4-2	030229	CAP	OIL FILL W33	1
5-1	030513	COVER	ROCKER INCL REF 6 W18-21 TOP OIL FILL	1
5-2	034676	COVER	ROCKER INCL REF 6 W18-21 SIDE OIL FILL	1
5-3	030514	COVER	ROCKER INCL REF 6 W27	1
5-4	030406	COVER	ROCKER INCL REF 6 W33	1
6-1	030219	CONNECTOR	BREATHER HOSE TO COVER W18-21-27	1
6-2	030223	CONNECTOR	BREATHER HOSE TO COVER W33	1
7-1	030515	GASKET	ROCKER COVER W18-21	1
7-2	030516	GASKET	ROCKER COVER W27	1
7-3	030407	GASKET	ROCKER COVER W33	1
8-1	030506	GUIDE	VALVE W18-21	6
8-2	030506	GUIDE	VALVE W27	8
8-3	030404	GUIDE	VALVE W33	8
9-1	024373	PLUG	EXPANSION-25 W18-21-33	3
9-2	024373	PLUG	EXPANSION-25 W27	4
10-1	030512	BOLT	CYLINDER HEAD-LONG W18-21	8
10-2	030512	BOLT	CYLINDER HEAD-LONG W27	10
10-3	030215	BOLT	CYLINDER HEAD-LONG W33	14
11-1	030243	WASHER	HEAD BOLT W18-21	8
11-2	030243	WASHER	HEAD BOLT W27	10
11-3	030197	WASHER	HEAD BOLT W33	14
12-1	030383	BOLT	CYLINDER HEAD-SHORT W18-21	3
12-2	030383	BOLT	CYLINDER HEAD-SHORT W27	4
12-3	030271	BOLT	CYLINDER HEAD-SHORT W33	2
13-1	030717	PLUG	EXPANSION-45 W18-21-27	1
13-2	033657	PLUG	EXPANSION-40 W33	1
14	030711	PLUG	1/8	1
15-1	033794	HEAD	CYLINDER INCL REF 8-9-13 W18 TO SN 31605	1
15-2	037286	HEAD	CYLINDER INCL REF 8-9-13 W18 FR SN 31606	1
15-3	030504	HEAD	CYLINDER-NLA USE 37287 & 37280 CAMSHAFT	1
15-4	037287	HEAD	CYLINDER INCL REF 8-9-13 W21 FR SN 49607	1
15-5	030505	HEAD	CYLINDER INCL REF 8-9-13 W27 TO SN 21804	1
15-6	037288	HEAD	CYLINDER INCL REF 8-9-13 W27 FR SN 21805	1
15-7	030403	HEAD	CYLINDER INCL REF 8-9-13 W33 TO SN 8038	1
15-8	037289	HEAD	CYLINDER INCL REF 8-9-13 W33 FR SN 8039	1
15-9		NOTE	CAN USE NEW HEAD ON OLD W/NEW CAMSHAFT	
16-1	030131	EYE	LIFTING W21-27	1
16-2	030131	EYE	LIFTING W33	2
17	019262	LOCKWASHER	M10 DIN 127	1
18-1	024952	CAPSCREW	M10 X 1.25 X 20 DIN 961	1
18-2	024958	CAPSCREW	M12 X 1.25 X 20 DIN 961 W33	1
19-1	033786	GASKET	CYLINDER HEAD W18	1
19-2	030509	GASKET	CYLINDER HEAD W21	1
19-3	030507	GASKET	CYLINDER HEAD W27	1
19-4	030405	GASKET	CYLINDER HEAD W33	1

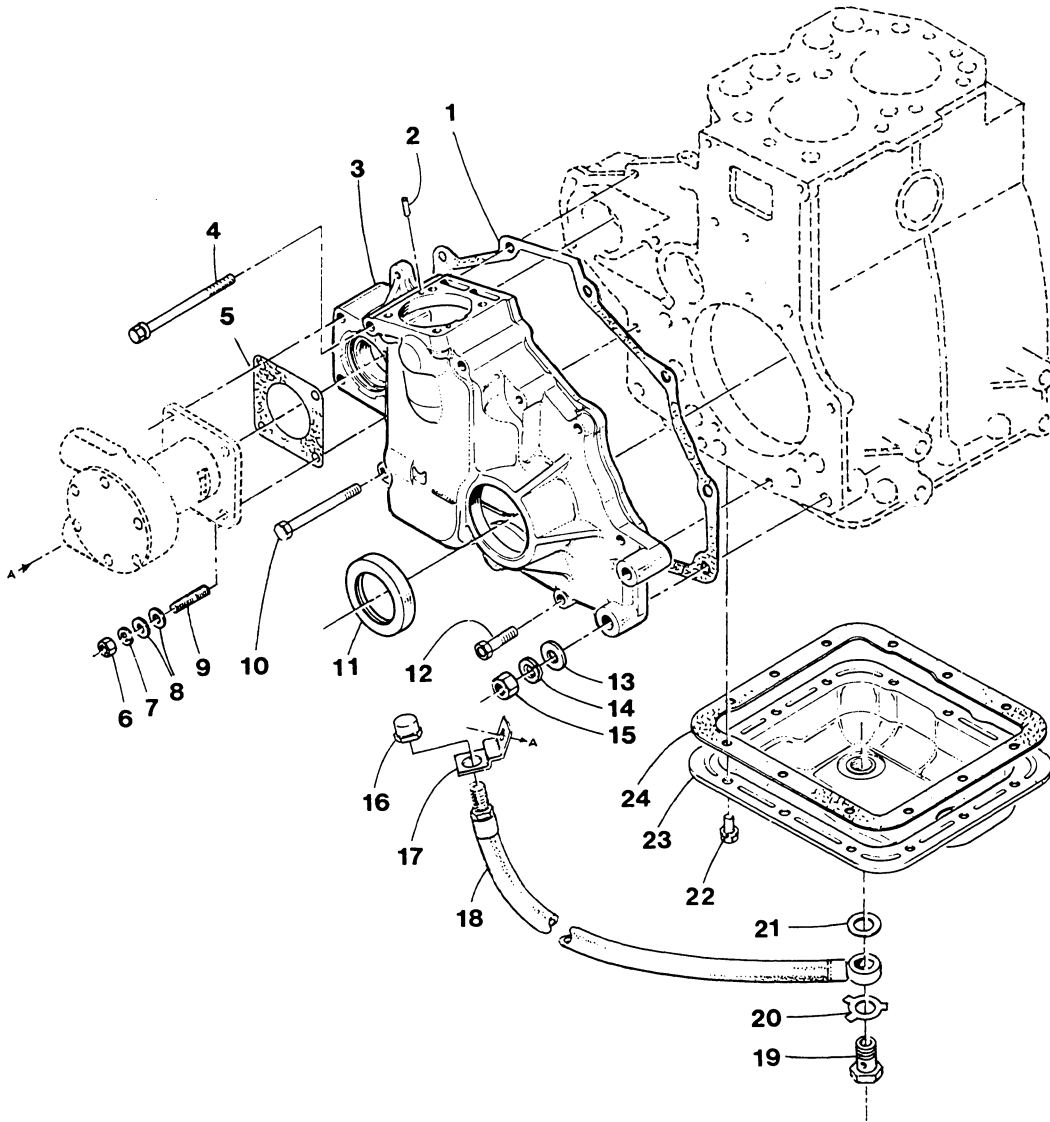
WESTERBEKE 18-21-27-33 - CYLINDER HEAD



WESTERBEKE 18-21-27-33 - CYLINDER HEAD

REF	PN	NAME	REMARKS	QUAN
20	31812	CAPSCREW	M8 X 65 DIN 931-W33	9
21	31816	CAPSCREW	M8 X 100 DIN 931-W33	1
22	31866	SCREW	8-32 X 7/8	2
23	31844	LOCKWASHER	8	2
24	24683	BREAKER	CIRCUIT-20 AMP	1
25	31842	NUT	8-32	2
26	31750	NUT	1/4NC	2
27	24639	SOLENOID	PRE-HEAT	1
28	31752	LOCKWASHER	1/4	2
29	31501	CAPSCREW	1/4NC X 1/2	2
30	19262	LOCKWASHER	M10 DIN 127	1
31- 1	24951	CAPSCREW	M10 X 1.25 X 20 DIN 961	1
31- 2	24958	CAPSCREW	M12 X 1.25 X 20 DIN 961-W33	1
32	24849	BRACKET	CIRCUIT BREAKER & SOLENOID-W21-27	1
33- 1	13630	CAPSCREW	M8 X 25 DIN 933 COVER 34676	1
33- 2	34672	CAPSCREW	M8 X 11 DIN 933 COVER 34676	1
34	34616	SPACER	SOLENOID BRACKET	1
35	30289	SEAL	OIL-ROCKER COVER CAPSCREW	2
36	34652	EYE	LIFTING-W18-21A-27A-33A	1
37	31786	LOCKWASHER	M8 DIN 127	1
38	16789	CAPSCREW	M8 X 16 DIN 933	1
39- 1	34418	BRACKET	CIRCUIT BREAKER & SOLENOID-PROPULSION	1
39- 2	30131	EYE	LIFTING-GENSET	1
40	31786	LOCKWASHER	M8 DIN 127	1
41	20650	CAPSCREW	M8 X 18 DIN 933	1
42	18804	CAPSCREW	M6 X 20 DIN 933	2
43	31783	LOCKWASHER	M6 DIN 127	2
44	15812	NUT	M6 DIN 934	2

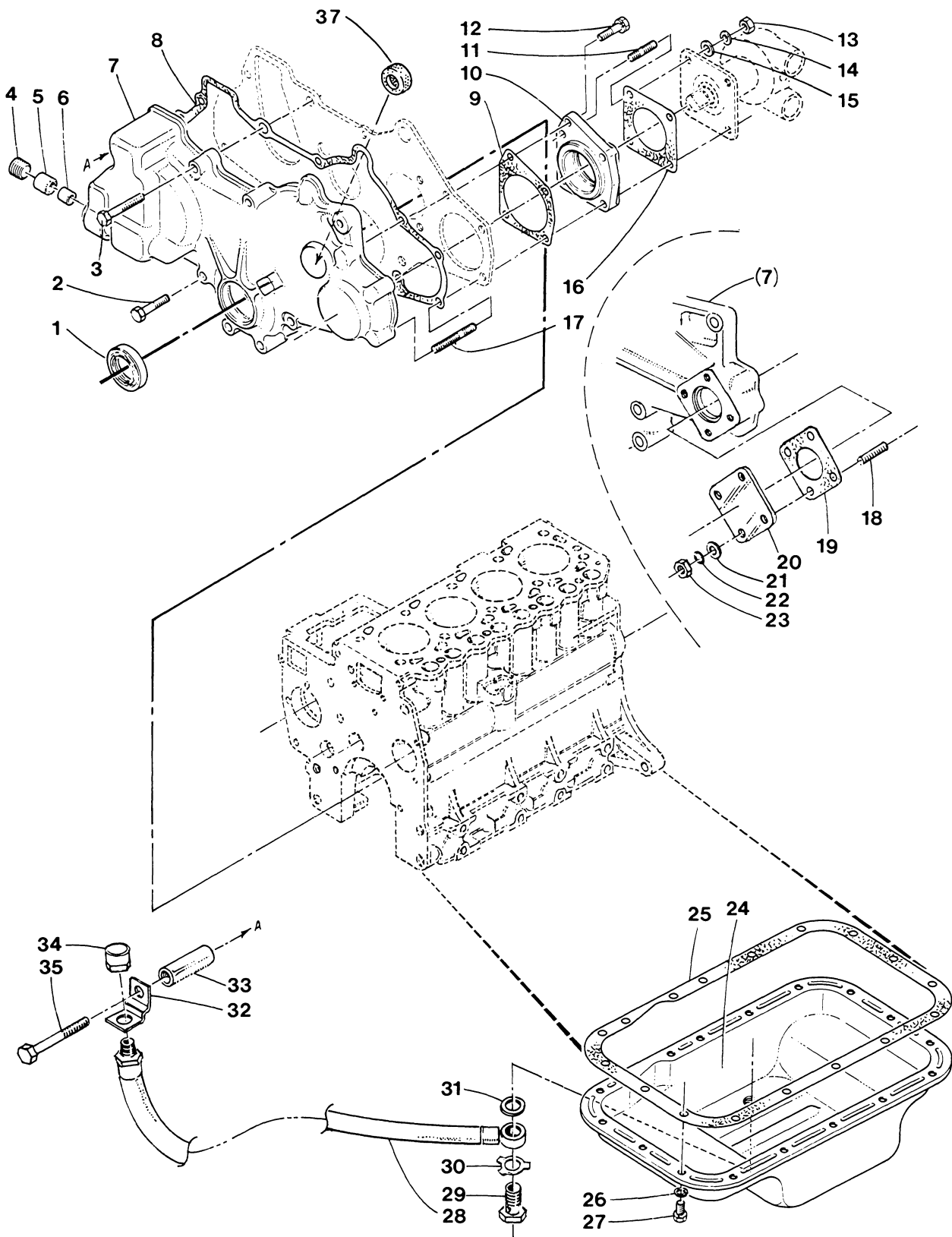
WESTERBEKE 13 - TIMING COVER AND SUMP



WESTERBEKE 13 - TIMING COVER AND SUMP

REF	PN	NAME	REMARKS	QUAN
1	30348	GASKET	TIMING CASE TO BLOCK	1
2	30224	DOWEL		2
3	30347	CASE	TIMING	1
4	31816	CAPSCREW	M8 X 100 DIN 931	1
5	30326	GASKET	TIMING CASE TO SEA WATER PUMP	1
6	18242	NUT	M8 DIN 934	4
7	31786	LOCKWASHER	M8 DIN 127	4
8	31787	WASHER	M8 DIN 125	4
9	15828	STUD	M8 X 22 DIN 939	4
10	31814	CAPSCREW	M8 X 85 DIN 931	2
11	30207	SEAL	OIL	1
12	31462	CAPSCREW	M8 X 35 DIN 931	4
13	31793	WASHER	M12 DIN 125	2
14	31792	LOCKWASHER	M12 DIN 127	2
15	24957	NUT	M12 X 1.25	2
16	24905	CAP	SUMP DRAIN HOSE	1
17	24922	BRACKET	SUMP DRAIN HOSE	1
18- 1	30846	HOSE	SUMP DRAIN	1
18- 2	34746	HOSE	SUMP DRAIN BC-4.4KW	1
19- 1	24782	BOLT	BANJO	1
19- 2		LOC-TITE	PST MUST BE USED	
20	24913	TABWASHER		1
21	24973	WASHER	BANJO	1
22- 1	16789	CAPSCREW	M8 X 16 DIN 933	12
22- 2	31786	LOCKWASHER	M8 DIN 127	12
23	30349	SUMP	OIL	1
24	30350	GASKET	SUMP TO BLOCK	1
25	30743	KIT	SUMP DRAIN HOSE-REF 16-21	1

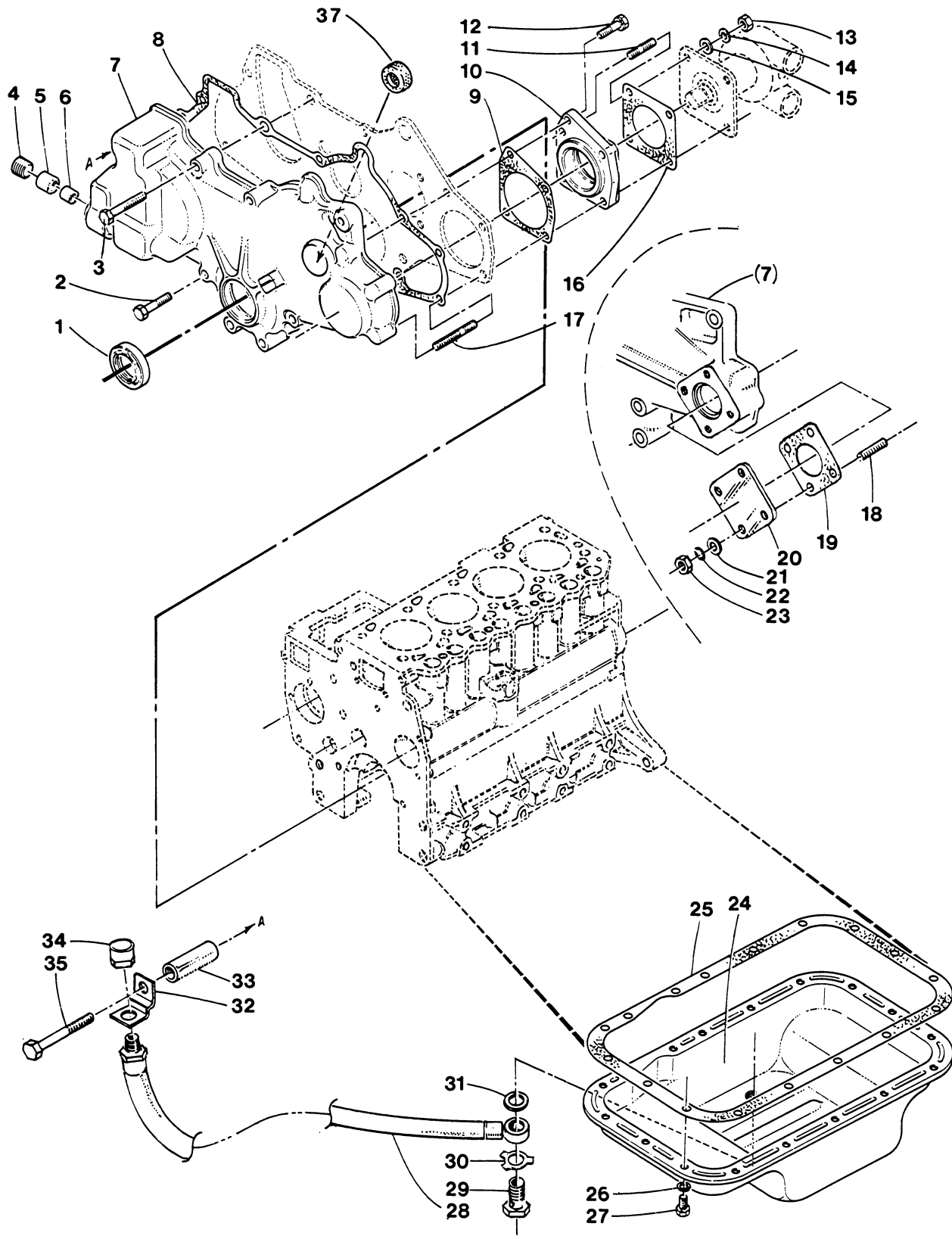
WESTERBEKE 18-21-27-33 - TIMING COVER AND SUMP



WESTERBEKE 18-21-27-33 - TIMING COVER AND SUMP

REF	PN	NAME	REMARKS	QUAN
1	30209	SEAL	OIL	1
2- 1	24948	CAPSCREW	M8 X 45 DIN 931-W18-21-27	8
2- 2	24948	CAPSCREW	M8 X 45 DIN 931-W33	10
3- 1	17196	CAPSCREW	M8 X 20 DIN 933-W18-21-27	2
3- 2	16789	CAPSCREW	M8 X 16 DIN 933-W33	2
3- 3	31786	LOCKWASHER	M8 DIN 127	2
4	30713	PLUG	1/2	1
5	30411	BEARING	NEEDLE	1
6	30410	BEARING	NEEDLE	1
7- 1	30494	COVER	TIMING-W18-21-27	1
7- 2	30409	COVER	TIMING-W33	1
8- 1	30495	GASKET	TIMING COVER-W18-21-27	1
8- 2	30408	GASKET	TIMING COVER-W33	1
9- 1	30589	GASKET	BEARING HOUSING-W18-21-27	1
9- 2	30470	GASKET	BEARING HOUSING-W33	1
10- 1	30588	HOUSING	BEARING-W18-21-27	1
10- 2	30469	HOUSING	BEARING-W33	1
11- 1	15830	STUD	M8 X 25 DIN 939-W18-21-27	1
11- 2	15828	STUD	M8 X 22 DIN 939-W33	2
12- 1	18811	CAPSCREW	M8 X 40 DIN 931-W18-21-27	1
12- 2	31786	LOCKWASHER	M8 DIN 127-W18-21-27	1
12- 3	13630	CAPSCREW	M8 X 25 DIN 933-W33	2
12- 4	31786	LOCKWASHER	M8 DIN 127-W33	2
13	18242	NUT	M8 DIN 934	4
14	31786	LOCKWASHER	M8 DIN 127	4
15	31787	WASHER	M8 DIN 125	4
16	30326	GASKET	WATER PUMP TO HOUSING	1
17- 1	31282	STUD	M8 X 45 DIN 939-W18-21-27	3
17- 2	31281	STUD	M8 X 40 DIN 939-W33	2
18	15828	STUD	M8 X 22 DIN 939-W33	4
19	30326	GASKET	W33	1
20	30325	COVER	W33	1
21	31787	WASHER	M8 DIN 127-W33	4
22	31786	LOCKWASHER	M8 DIN 127-W33	4
23	18242	NUT	M8 DIN 934-W33	4
24- 1	30500	SUMP	OIL-W21-BOTTOM DRAIN TO S/N 27902	1
24- 2	34673	SUMP	OIL-W21-SIDE DRAIN FROM S/N 27903	1
24- 3	30500	SUMP	OIL-6KW-BOTTOM DRAIN TO S/N 27075	1
24- 4	34673	SUMP	OIL-6KW-SIDE DRAIN FROM S/N 27076-W18	1
24- 5	30497	SUMP	OIL-W27	1
24- 6	30412	SUMP	OIL-W33	1
25- 1	30498	GASKET	OIL SUMP-W18-21	1
25- 2	30499	GASKET	OIL SUMP-W27	1
25- 3	30413	GASKET	OIL SUMP-W33	1
26- 1	31786	LOCKWASHER	M8 DIN 127-W18-21	15
26- 2	31786	LOCKWASHER	M8 DIN 127-W27	17
26- 3	31786	LOCKWASHER	M8 DIN 127-W33	18
27- 1	16789	CAPSCREW	M8 X 16 DIN 933-W18-21	15
27- 2	16789	CAPSCREW	M8 X 16 DIN 933-W27	17
27- 3	16789	CAPSCREW	M8 X 16 DIN 933-W33	18

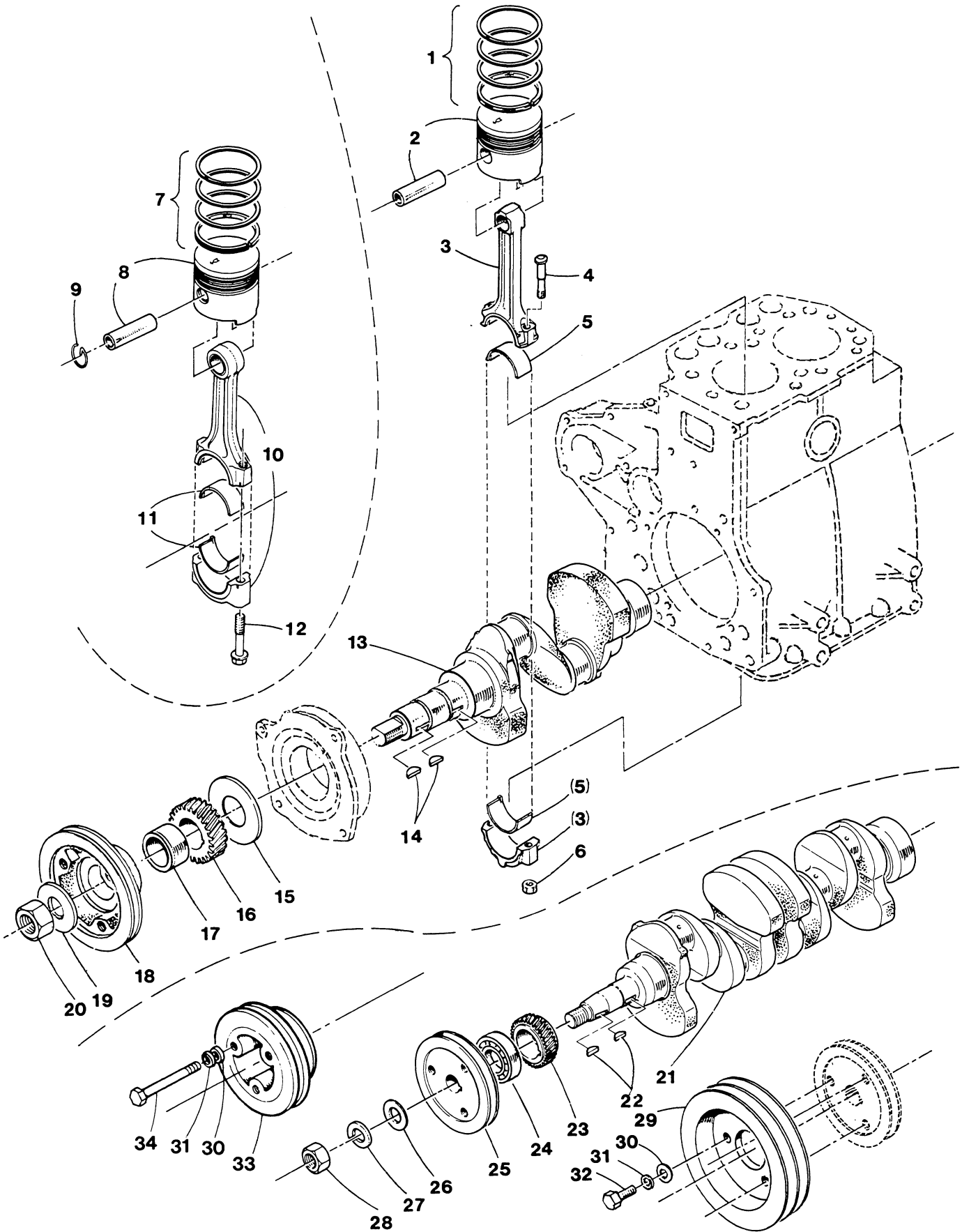
WESTERBEKE 18-21-27-33 - TIMING COVER AND SUMP



WESTERBEKE 18-21-27-33 - TIMING COVER AND SUMP

REF	PN	NAME	REMARKS	QUAN
28- 1	31173	HOSE	SUMP DRAIN-W21-27-27A	1
28- 2	30848	HOSE	SUMP DRAIN-W33-33A	1
28- 3	30846	HOSE	SUMP DRAIN-W27-33 V-DRIVE	1
28- 4	31084	HOSE	SUMP DRAIN-W18-21A	1
28- 5	34746	HOSE	SUMP DRAIN-BT-8KW	1
29- 1	24782	BOLT	BANJO-SUMP DRAIN	1
29- 2		LOC-TITE	PST MUST BE USED	
30	24913	TABWASHER		1
31	24973	WASHER	BANJO	1
32	24922	BRACKET	SUMP DRAIN HOSE	1
33- 1	30737	SPACER	BRACKET-W21-27-33	1
33- 2	33565	SPACER	ALTERNATOR STRAP-W18-21A-27A-33A	1
34	24905	CAP	SUMP DRAIN HOSE	1
35- 1	22211	CAPSCREW	M8 X 90 DIN 931-W21-27-33	1
35- 2	31817	CAPSCREW	M8 X 105 DIN 931-W18-21A-27A-33A	1
36- 1	31172	KIT	SUMP DRAIN HOSE-REF 28-35-W21-27	1
36- 2	30746	KIT	SUMP DRAIN HOSE-REF 28-35-W33	1
36- 3	33517	KIT	SUMP DRAIN HOSE-REF 28-35-W27-33 V-DRIVE	1
37	33278	PLUG	THRUST-TIMING COVER-W33 FROM S/N 4844	1

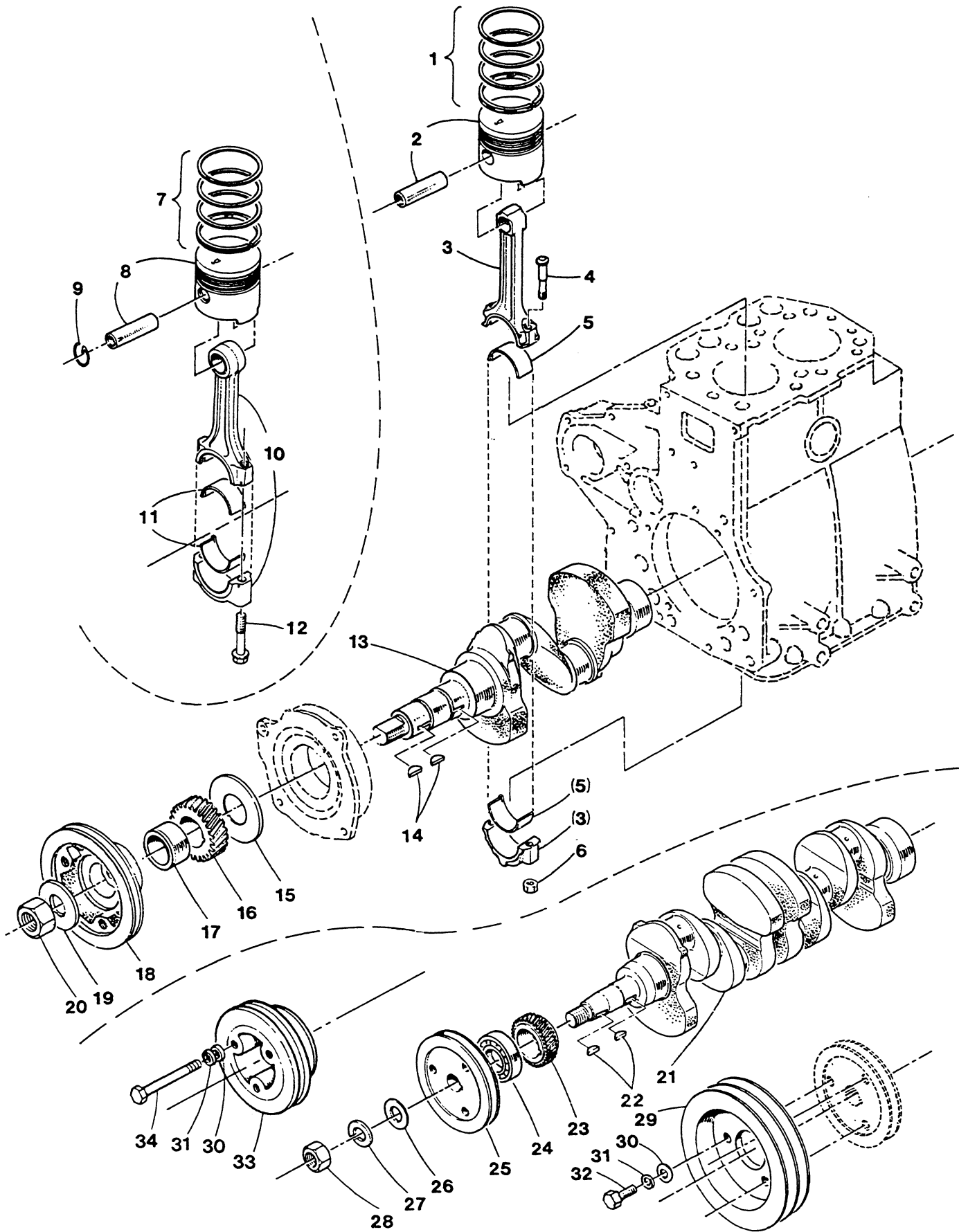
WESTERBEKE 13-18-21-27-33 - CRANKSHAFT AND PISTONS



WESTERBEKE 13-18-21-27-33 - CRANKSHAFT AND PISTONS

REF	PN	NAME	REMARKS	QUAN
1- 1	030529	RING SET	STD W13	2
1- 2	030522	RING SET	0.25 W13	2
1- 3	030523	RING SET	0.50 W13	2
1- 4	030524	RING SET	0.75 W13	2
1- 5	030417	RING SET	STD W21 TO S/N 49606	3
1- 6	030418	RING SET	0.25 W21 TO S/N 49606	3
1- 7	030419	RING SET	0.50 W21 TO S/N 49606	3
1- 8	030420	RING SET	0.75 W21 TO S/N 49606	3
1- 9	037271	RING SET	STD W21 FR S/N 49607	3
1-10	037272	RING SET	0.25 W21 FR S/N 49607	3
1-11	037273	RING SET	0.50 W21 FR S/N 49607	3
1-12	037274	RING SET	0.75 W21 FR S/N 49607	3
1-13	030417	RING SET	STD W27 TO S/N 21804	4
1-14	030418	RING SET	0.25 W27 TO S/N 21804	4
1-15	030419	RING SET	0.50 W27 TO S/N 21804	4
1-16	030420	RING SET	0.75 W27 TO S/N 21804	4
1-17	037271	RING SET	STD W27 FR S/N 21805	4
1-18	037272	RING SET	0.25 W27 FR S/N 21805	4
1-19	037273	RING SET	0.50 W27 FR S/N 21805	4
1-20	037274	RING SET	0.75 W27 FR S/N 21805	4
1-21	033787	RING SET	STD W18	3
1-22	033788	RING SET	0.25 W18	3
1-23	033789	RING SET	0.50 W18	3
1-24	033790	RING SET	0.75 W18	3
2- 1	030525	PISTON	WITH PIN STD W13	2
2- 2	030526	PISTON	WITH PIN 0.25 W13	2
2- 3	030527	PISTON	WITH PIN 0.50 W13	2
2- 4	030528	PISTON	WITH PIN 0.75 W13	2
2- 5	030425	PISTON	WITH PIN STD W21 TO S/N 49606	3
2- 6	030426	PISTON	WITH PIN 0.25 W21 TO S/N 49606	3
2- 7	030427	PISTON	WITH PIN 0.50 W21 TO S/N 49606	3
2- 8	030428	PISTON	WITH PIN 0.75 W21 TO S/N 49606	3
2- 9	037275	PISTON	WITH PIN STD W21 S/N 49607-62494	3
2-10	037276	PISTON	WITH PIN 0.25 W21 S/N 49606-62494	3
2-11	037277	PISTON	WITH PIN 0.50 W21 S/N 49607-62494	3
2-12	037278	PISTON	WITH PIN 0.75 W21 S/N 49607-62494	3
2-13	037683	PISTON	WITH PIN STD W21 FR S/N 62495	3
2-14	037684	PISTON	WITH PIN 0.25 W21 FR S/N 62495	3
2-15	037685	PISTON	WITH PIN 0.50 W21 FR S/N 62495	3
2-16	037686	PISTON	WITH PIN 0.75 W21 FR S/N 62495	3
2-17	030425	PISTON	WITH PIN STD W27 TO S/N 21804	4
2-18	030426	PISTON	WITH PIN 0.25 W27 TO S/N 21804	4
2-19	030427	PISTON	WITH PIN 0.50 W27 TO S/N 21804	4
2-20	030428	PISTON	WITH PIN 0.75 W27 TO S/N 21804	4
2-21	037275	PISTON	WITH PIN STD W27 S/N 21505-23328	4
2-22	037276	PISTON	WITH PIN 0.25 W27 S/N 21805-23328	4
2-23	037277	PISTON	WITH PIN 0.50 W27 S/N 21805-23328	4
2-24	037278	PISTON	WITH PIN 0.75 W27 S/N 21805-23328	4
2-25	037683	PISTON	WITH PIN STD W27 FR S/N 23329	4
2-26	037684	PISTON	WITH PIN 0.25 W27 FR S/N 23329	4
2-27	037685	PISTON	WITH PIN 0.50 W27 FR S/N 23329	4
2-28	037686	PISTON	WITH PIN 0.75 W27 FR S/N 23329	4

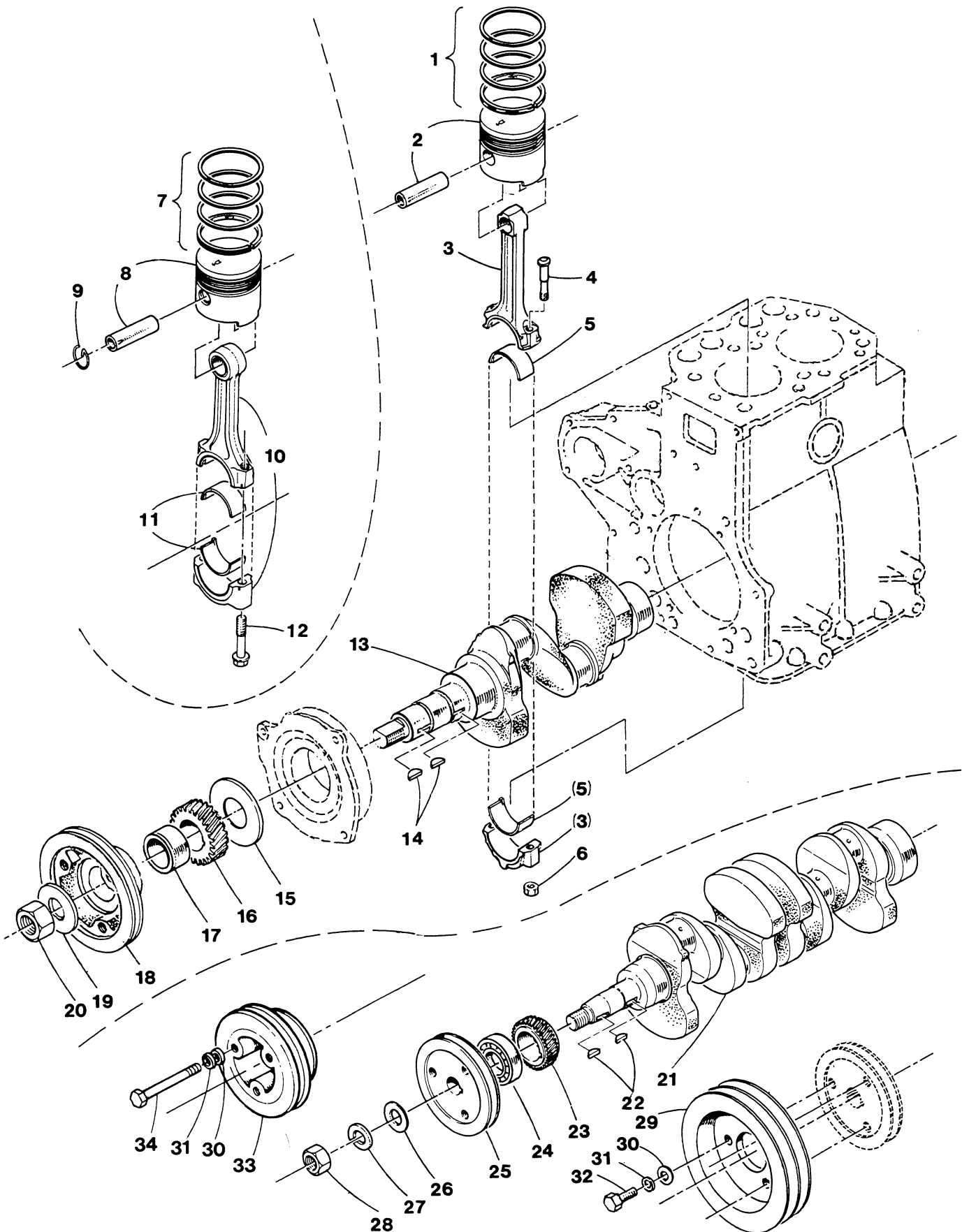
WESTERBEKE 13-18-21-27-33 - CRANKSHAFT AND PISTONS



WESTERBEKE 13-18-21-27-33 - CRANKSHAFT AND PISTONS

REF	PN	NAME	REMARKS	QUAN
2-29	033795	PISTON	WITH PIN STD W18	3
2-30	033796	PISTON	WITH PIN 0.25 W18	3
2-31	033797	PISTON	WITH PIN 0.50 W18	3
2-32	033798	PISTON	WITH PIN 0.75 W18	3
3- 1	030530	ROD	CONNECTING W13	2
3- 2	030530	ROD	CONNECTING W18-21	3
3- 3	030530	ROD	CONNECTING W27	4
4- 1	030351	BOLT	CONNECTING ROD W13	4
4- 2	030351	BOLT	CONNECTING ROD W18-21	6
4- 3	030351	BOLT	CONNECTING ROD W27	8
5- 1	037673	BEARING	CONNECTING ROD SET STD W13	2
5- 2	037680	BEARING	CONNECTING ROD SET 0.25 W13	2
5- 3	037681	BEARING	CONNECTING ROD SET 0.50 W13	2
5- 4	037682	BEARING	CONNECTING ROD SET 0.75 W13	2
5- 5	037673	BEARING	CONNECTING ROD SET STD W18-21	3
5- 6	037680	BEARING	CONNECTING ROD SET 0.25 W18-21	3
5- 7	037681	BEARING	CONNECTING ROD SET 0.50 W18-21	3
5- 8	037682	BEARING	CONNECTING ROD SET 0.75 W18-21	3
5- 9	037673	BEARING	CONNECTING ROD SET STD W27	4
5-10	037680	BEARING	CONNECTING ROD SET 0.25 W27	4
5-11	037681	BEARING	CONNECTING ROD SET 0.50 W27	4
5-12	037682	BEARING	CONNECTING ROD SET 0.75 W27	4
6- 1	030231	NUT	CONNECTING ROD BOLT W13	4
6- 2	030231	NUT	CONNECTING ROD BOLT W18-21	6
6- 3	030231	NUT	CONNECTING ROD BOLT W27	8
7- 1	030421	RING SET	STD W33 TO S/N 8230	4
7- 2	030422	RING SET	0.25 W33 TO S/N 8230	4
7- 3	030423	RING SET	0.50 W33 TO S/N 8230	4
7- 4	030424	RING SET	0.75 W33 TO S/N 8230	4
7- 5	037282	RING SET	STD W33 FR S/N 8231	4
7- 6	037283	RING SET	0.25 W33 FR S/N 8231	4
7- 7	037284	RING SET	0.50 W33 FR S/N 8231	4
7- 8	037285	RING SET	0.75 W33 FR S/N 8231	4
8- 1	030414	PISTON	WITH PIN STD W33 TO S/N 8230	4
8- 2	030429	PISTON	WITH PIN 0.25 W33 TO S/N 8230	4
8- 3	030430	PISTON	WITH PIN 0.50 W33 TO S/N 8230	4
8- 4	030431	PISTON	WITH PIN 0.75 W33 TO S/N 8230	4
8- 5	037290	PISTON	WITH PIN STD W33 FR S/N 8231	4
8- 6	037291	PISTON	WITH PIN 0.25 W33 FR S/N 8231	4
8- 7	037292	PISTON	WITH PIN 0.50 W33 FR S/N 8231	4
8- 8	037293	PISTON	WITH PIN 0.75 W33 FR S/N 8231	4
9	030205	CIRCLIP	PISTON PIN RETAINING W33	8
10	030304	ROD	CONNECTING W33	4
11- 1	030305	BEARING	CONNECTING ROD SET STD W33	4
11- 2	030306	BEARING	CONNECTING ROD SET 0.25 W33	4
11- 3	030307	BEARING	CONNECTING ROD SET 0.50 W33	4
11- 4	030308	BEARING	CONNECTING ROD SET 0.75 W33	4
12	030384	BOLT	CONNECTING ROD W33	8

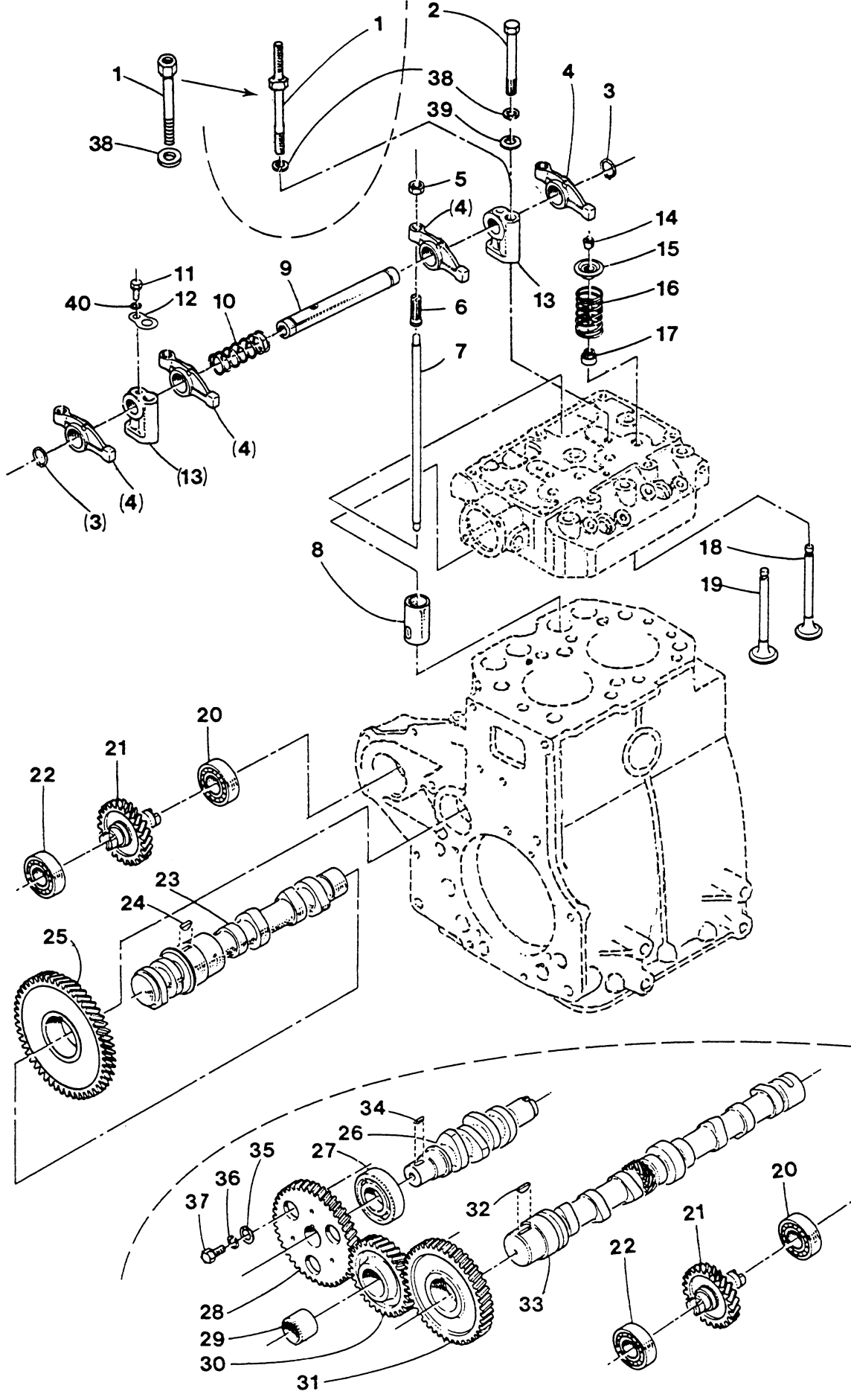
WESTERBEKE 13-18-21-27-33 - CRANKSHAFT AND PISTONS



WESTERBEKE 13-18-21-27-33 - CRANKSHAFT AND PISTONS

REF	PN	NAME	REMARKS	QUAN
13	030352	CRANKSHAFT	W13	1
14	030276	KEY	W13	2
15	030303	PLATE	CRANKSHAFT W13	1
16	030302	GEAR	CRANKSHAFT W13	1
17	030358	SLEEVE	W13	1
18	030353	PULLEY	CRANKSHAFT W13	1
19	030216	WASHER	M24 W13	1
20	032174	NUT	CRANKSHAFT PULLEY W13	1
21- 1	030535	CRANKSHAFT	W18-21	1
21- 2	030537	CRANKSHAFT	W27	1
21- 3	030415	CRANKSHAFT	W33	1
22	030275	KEY	W18-21-27-33	1
23	030416	GEAR	CRANKSHAFT W18-21-27-33	1
24	030217	BEARING	CRANKSHAFT W33	1
25- 1	032181	PULLEY	CRANKSHAFT W18-21	1
25- 2	032182	PULLEY	CRANKSHAFT W27-33	1
26- 1	032175	WASHER	FLAT M18 W18-21-27	1
26- 2	032178	WASHER	FLAT M20 W33	1
27- 1	032176	LOCKWASHER	M18 W18-21-27	1
27- 2	032177	LOCKWASHER	M20 W33	1
28- 1	032172	NUT	M18 W18-21-27	1
28- 2	032173	NUT	M20 W33	1
29- 1	031163	PULLEY	ACCESSORY CRANKSHAFT 5IN	1
29- 2	031164	PULLEY	ACCESSORY CRANKSHAFT 6IN	1
29- 3	031165	PULLEY	ACCESSORY CRANKSHAFT 7IN	1
30	031789	WASHER	M10 DIN 125	3
31	019262	LOCKWASHER	M10 DIN 127	3
32- 1	031822	CAPSCREW	M10 X 1.25 X 75 DIN 961 PULLEY 31163	3
32- 2	024953	CAPSCREW	M10 X 1.25 X 35 DIN 961 PULLEY 31164-5	3
33- 1	033930	PULLEY	DRIVE ALTERNATOR-PUMP W18-21A-27A	1
33- 2	034720	PULLEY	DRIVE ALTERNATOR-PUMP W33A	1
34	031819	CAPSCREW	M10x1.25x60 DIN 961 PULLEY 33930-34720	3
35	036520	BUSHING	CONNECTING ROD W33	4

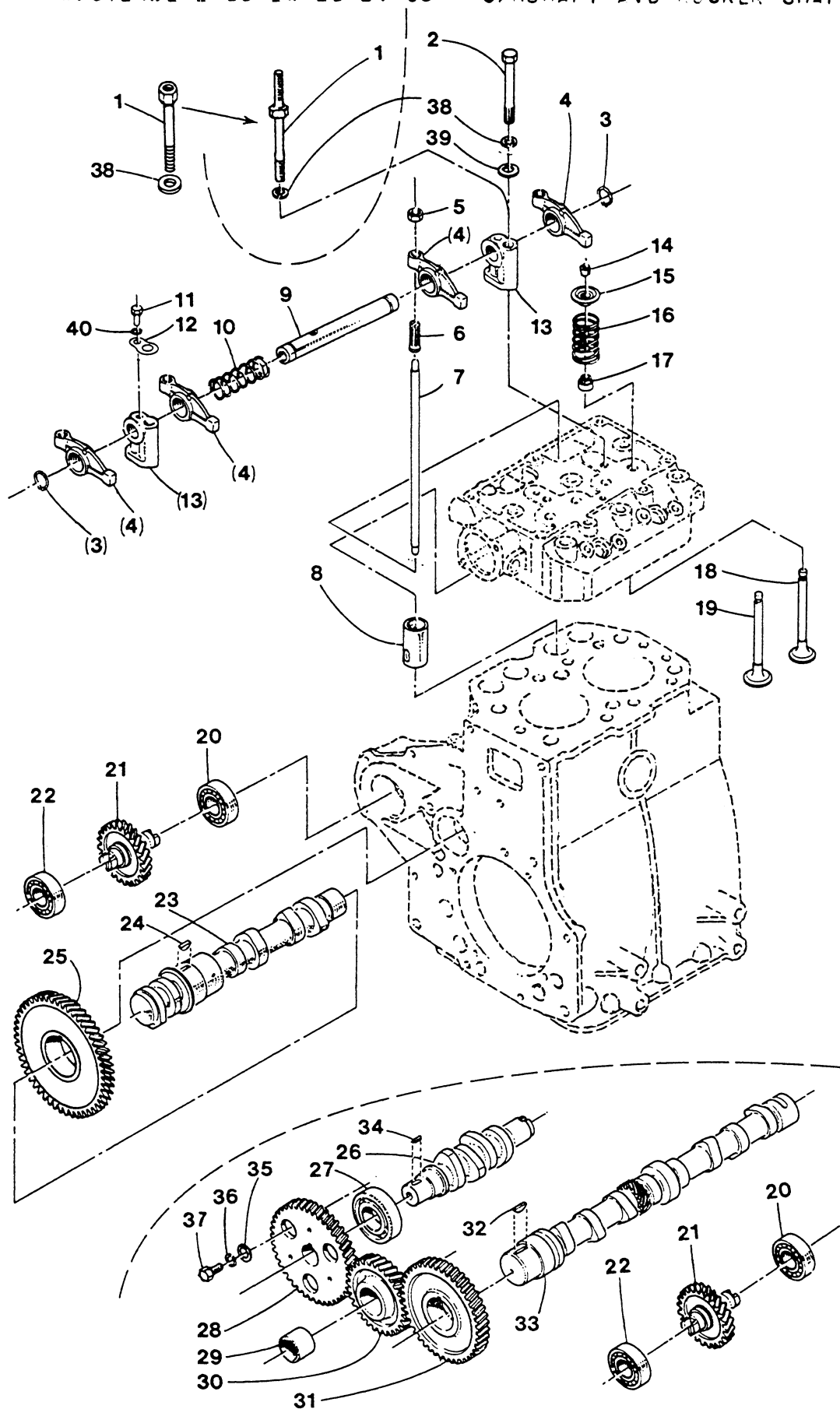
WESTERBEKE 13-18-21-27-33 - CAMSHAFT AND ROCKER SHAFT



WESTERBEKE 13-18-21-27-33 - CAMSHAFT AND ROCKER SHAFT

REF	PN	NAME	REMARKS	QUAN
1-1	030545	STUD	BRACKET & COVER W21 TO S/N 27902	2
1-2	034671	BOLT	BRACKET & COVER W21 FR S/N 27903	2
1-3	030545	STUD	BRACKET & COVER W18 TO S/N 27075	2
1-4	034671	BOLT	BRACKET & COVER W18 FR S/N 27076	2
1-5	030545	STUD	BRACKET & COVER W27	2
2-1	031821	CAPSCREW	M10 X 1.25 X 70 DIN 961 W13-27	2
2-2	031821	CAPSCREW	M10 X 1.25 X 70 DIN 961 W18-21	1
2-3	031823	CAPSCREW	M10 X 1.25 X 80 DIN 961 W33	4
3	030279	SNAPRING		2
4-1	030362	ROCKER	ARM W13	4
4-2	030438	ROCKER	ARM W18-21	6
4-3	030438	ROCKER	ARM W27-33	8
5-1	031804	NUT	M10 X 1.25 JAM W13	4
5-2	031804	NUT	M10 X 1.25 JAM W18-21	6
5-3	031804	NUT	M10 X 1.25 JAM W27-33	8
6-1	030195	SCREW	ADJUSTING W13	4
6-2	030195	SCREW	ADJUSTING W18-21	6
6-3	030195	SCREW	ADJUSTING W27-33	8
7-1	030360	PUSHROD	W13	4
7-2	030542	PUSHROD	W18-21	6
7-3	030542	PUSHROD	W27	8
7-4	030196	PUSHROD	W33	8
8-1	030361	TAPPET	W13	4
8-2	030361	TAPPET	W18-21	6
8-3	030361	TAPPET	W27-33	8
9-1	030363	SHAFT	ROCKER ASSEMBLY W13	1
9-2	030543	SHAFT	ROCKER ASSEMBLY W18-21	1
9-3	030544	SHAFT	ROCKER ASSEMBLY W27	1
9-4	030439	SHAFT	ROCKER ASSEMBLY W33	1
10-1	030232	SPRING	ROCKER SHAFT W13	1
10-2	030232	SPRING	ROCKER SHAFT W18-21	2
10-3	030232	SPRING	ROCKER SHAFT W27-33	3
11	017012	CAPSCREW	M 6 X 16 DIN 933	2
12	030440	WASHER		2
13-1	030299	BRACKET	ROCKER SHAFT W13	2
13-2	030299	BRACKET	ROCKER SHAFT W18-21	3
13-3	030299	BRACKET	ROCKER SHAFT W27	4
13-4	032168	BRACKET	ROCKER SHAFT W33	4
14-1	030241	LOCK	VALVE W13	8
14-2	030241	LOCK	VALVE W18-21	12
14-3	030241	LOCK	VALVE W27	16
14-4	030228	LOCK	VALVE W33 USE WITH 30236 SEAT	16
14-5	037998	LOCK	VALVE W33 USE WITH 37999 SEAT	16
15-1	030240	SEAT	VALVE SPRING UPPER W13	4
15-2	030240	SEAT	VALVE SPRING UPPER W18-21	6
15-3	030240	SEAT	VALVE SPRING UPPER W27	8
15-4	030236	SEAT	VALVE SPRING UPPER W33 14 MM ID	8
15-5	037998	SEAT	VALVE SPRING UPPER W33 11 MM ID	8
16-1	030346	SPRING	VALVE W13	4
16-2	030346	SPRING	VALVE W18-21	6
16-3	030346	SPRING	VALVE W27	8
16-4	030227	SPRING	VALVE W33	8

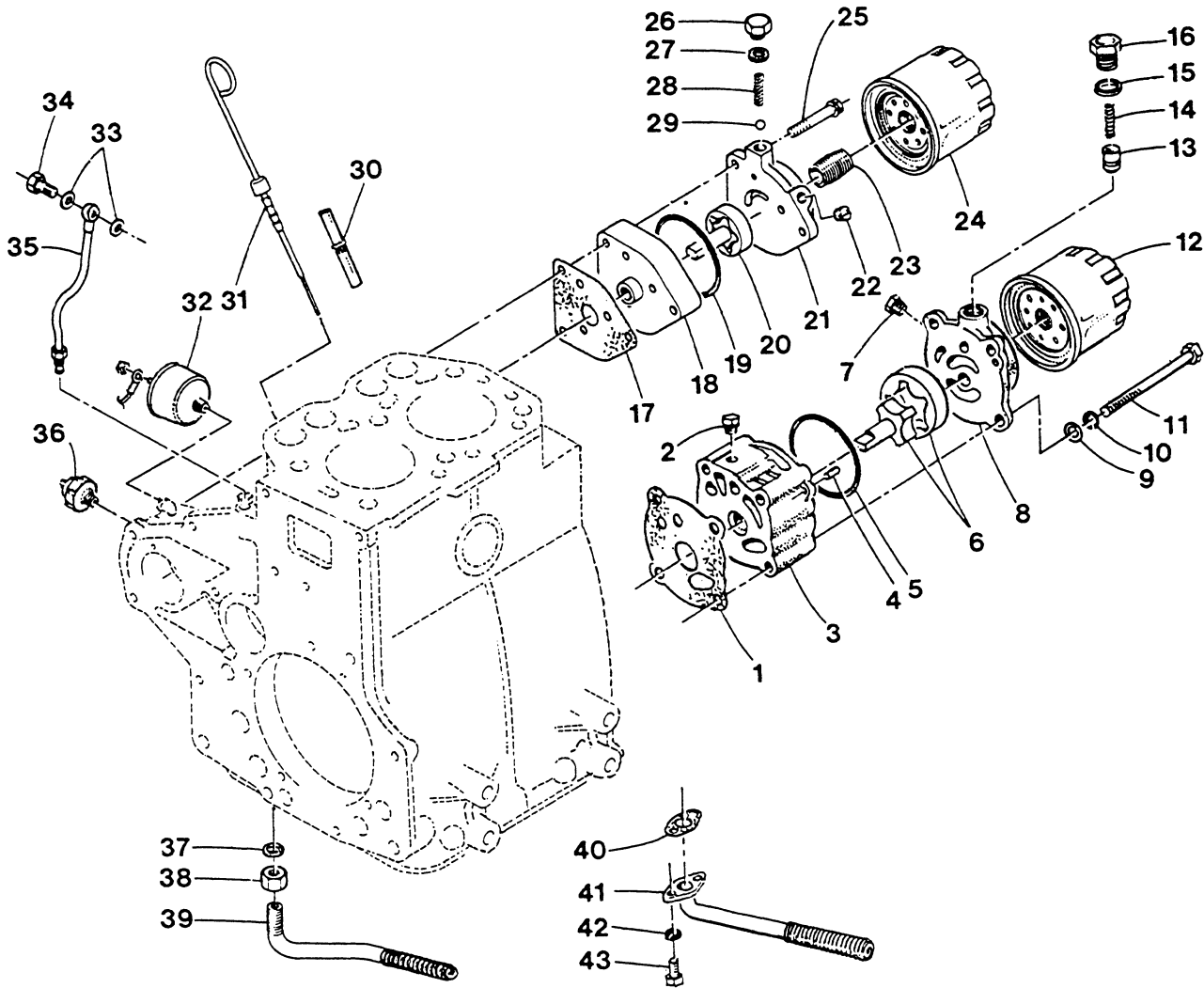
WFSTERBEKE 13-18-21-27-33 - CAMSHAFT AND ROCKER SHAFT



WESTERBEKE 13-18-21-27-33 - CAMSHAFT AND ROCKER SHAFT

REF	PN	NAME	REMARKS	QUAN
17-1	030242	SEAL	OIL W13	4
17-2	030242	SEAL	OIL W18-21	6
17-3	030242	SEAL	OIL W27	8
17-4	030218	SEAL	OIL W33 TO S/N 4662 ONLY	8
17-5	033277	SEAL	OIL W33 ALL	8
18-1	030338	VALVE	EXHAUST W13	2
18-2	030510	VALVE	EXHAUST W18-21	3
18-3	030510	VALVE	EXHAUST W27	4
18-4	030442	VALVE	EXHAUST W33	4
19-1	030337	VALVE	INTAKE W13	2
19-2	030508	VALVE	INTAKE W18-21	3
19-3	030508	VALVE	INTAKE W27	4
19-4	030441	VALVE	INTAKE W33	4
20-1	030202	BEARING	PUMP GEAR W13	1
20-2	030198	BEARING	PUMP GEAR W18-21-27-33	1
21-1	030324	GEAR	SEA WATER PUMP DRIVE W13	1
21-2	030590	GEAR	SEA WATER PUMP DRIVE W18-21-27-33	1
22-1	030202	BEARING	PUMP GEAR W13-18-21-27	1
22-2	030270	BEARING	PUMP GEAR W33	1
23	030359	CAMSHAFT	W13	1
24	030274	KEY	GEAR TO CAMSHAFT W13	1
25	030309	GEAR	CAMSHAFT W13	1
26-1	030546	CAMSHAFT	INJECTION PUMP W18-21	1
26-2	030547	CAMSHAFT	INJECTION PUMP W27	1
26-3	030433	CAMSHAFT	INJECTION PUMP W33	1
27	030434	BEARING	INJECTION PUMP CAMSHAFT W18-21-27-33	1
28	030435	GEAR	INJECTION PUMP CAMSHAFT W18-21-27-33	1
30-1	030541	GEAR	IDLER W18-21-27	1
30-2	030432	GEAR	IDLER W33	1
31	030437	GEAR	CAMSHAFT W18-21-27-33	1
32	030275	KEY	GEAR TO CAMSHAFT W18-21-27-33	1
33-1	030539	CAMSHAFT	W18 TO S/N 31605	1
33-2	037280	CAMSHAFT	W18 FR S/N 31606	1
33-3	030539	CAMSHAFT	W21 TO S/N 49606	1
33-4	037280	CAMSHAFT	W21 FR S/N 49607	1
33-5	030540	CAMSHAFT	W27 TO S/N 21804	1
33-6	037279	CAMSHAFT	W27 FR S/N 21805	1
33-7	030436	CAMSHAFT	W33 TO S/N 8038	1
33-8	037281	CAMSHAFT	W33 FR S/N 8039	1
34	030273	KEY	GEAR TO SHAFT W18-21-27-33	1
35	031787	WASHER	M 8 DIN 125 W18-21-27-33	1
36	031786	LOCKWASHER	M 8 DIN 127 W18-21-27-33	1
37	016789	CAPSCREW	M 8 X 16 DIN 933 W18-21-27-33	1
38-1	019262	LOCKWASHER	M10 DIN 127 W13	2
38-2	019262	LOCKWASHER	M10 DIN 127 W18-21	3
38-3	019262	LOCKWASHER	M 8 DIN 127 W27-33	4
39	031789	WASHER	M10 DIN 125 W33	2
40	031783	LOCKWASHER	M 6 DIN 127	2

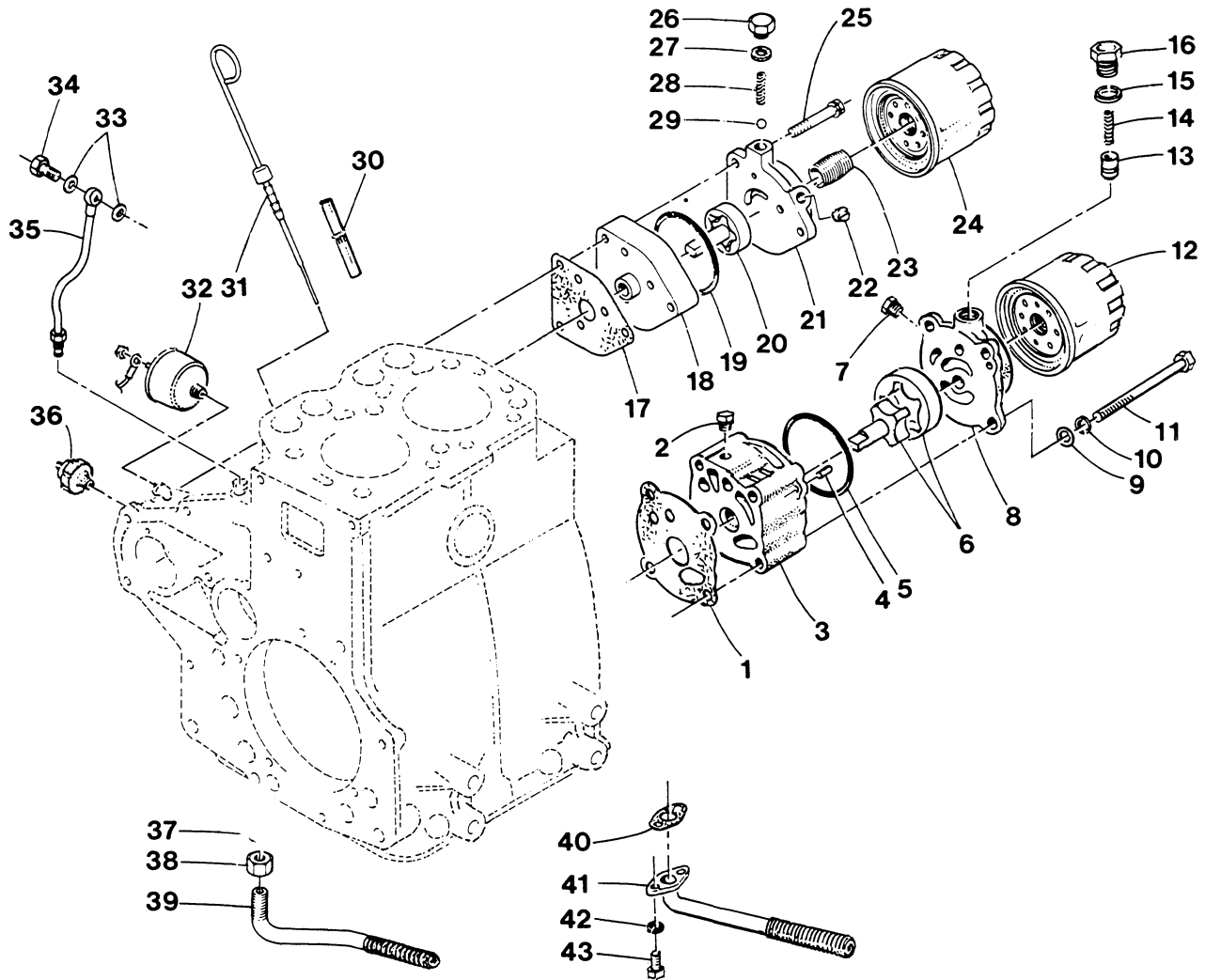
WESTERBEKE 13-18-21-27-33 - LUBE OIL PUMP



WESTERBEKE 13-18-21-27-33 - LUBE OIL PUMP

REF	PN	NAME	REMARKS	QUAN
1	30458	GASKET	OIL PUMP TO BLOCK-W18-21-27-33	1
2	30711	PLUG	1/8-W18-21-27-33	1
3- 1	30581	PUMP	OIL-W18-21-27-REF 2-16 EXCEPT 9-11	1
3- 2	30582	BODY	PUMP-W18-21-27	1
3- 3	30457	PUMP	ASSEMBLY-OIL-W33-REF 2-16 EXCEPT 9-11	1
3- 4	30583	BODY	PUMP-W33	1
4	30224	DOWEL	BODY TO COVER-W18-21-27-33	2
5	30464	O-RING	BODY TO COVER-W18-21-27-33	1
6- 1	30459	ROTOR	ASSEMBLY-W18-21-27	1
6- 2	30460	ROTOR	ASSEMBLY-W33	1
7	30712	PLUG	1/4-W18-21-27-33	1
8	30463	COVER	OIL PUMP-W18-21-27-33	1
9	31787	WASHER	FLAT M8 DIN 125-W18-21-27-33	4
10	31786	LOCKWASHER	M8 DIN 127-W18-21-27-33	4
11- 1	31812	CAPSCREW	M8 X 65 DIN 931-W18-21-27	4
11- 2	18812	CAPSCREW	M8 X 70 DIN 931-W33	4
12- 1	30220	FILTER	LUBE OIL-W18-21-27	1
12- 2	30233	FILTER	LUBE OIL-W33	1
13	30244	PLUNGER	RELIEF VALVE-W18-21-27-33	1
14	30584	SPRING	RELIEF VALVE-W18-21-27-33	1
15	30462	GASKET	RELIEF VALVE-W18-21-27-33	1
16	30461	PLUG	RELIEF VALVE-W18-21-27-33	1
17	30328	GASKET	OIL PUMP TO BLOCK-W13	1
18	30327	BODY	OIL PUMP-W13	1
19	30332	O-RING	BODY TO COVER-W13	1
20	30329	ROTOR	ASSEMBLY-W13	1
21	30330	COVER	OIL PUMP-W13	1
22	30288	PLUG	1/8-W13	1
23	30214	NIPPLE	OIL FILTER-W13	1
24	30220	FILTER	OIL-W13	1
25- 1	24949	CAPSCREW	M8 X 50 DIN 931-W13	3
25- 2	31786	LOCKWASHER	M8 DIN 127-W13	3
26	30285	PLUG	OIL RELIEF VALVE-W13	1
27	30284	GASKET	OIL RELIEF VALVE-W13	1
28	30331	SPRING	OIL RELIEF VALVE-W13	1
29	30281	BALL	5/16 STEEL-W13	1
30	30391	TUBE	DIPSTICK-W18-21-27-33	1
31- 1	30374	DIPSTICK	W13	1
31- 2	30587	DIPSTICK	W18-21-27	1
31- 3	30467	DIPSTICK	W33	1
32- 1	24132	SENDER	OIL PRESSURE	1
32- 2	24844	ADAPTER	1/8BSPT TO 1/8NPT	1
32- 3	15122	ELBOW	STREET 1/8NPT 45 DEGREE-W13	1
32- 4	11984	ELBOW	STREET 1/8NPT 90 DEGREE-W18-21-27-33	1
32- 5	35145	TEE	STREET 1/8NPT-W13A	1
33	30283	GASKET	BANJO-W13	2
34	30282	BOLT	BANJO-W13	1
35	30375	LINE	OIL-BLOCK TO HEAD-W13	1

WESTERBEKE 13-18-21-27-33 - LUBE OIL PUMP



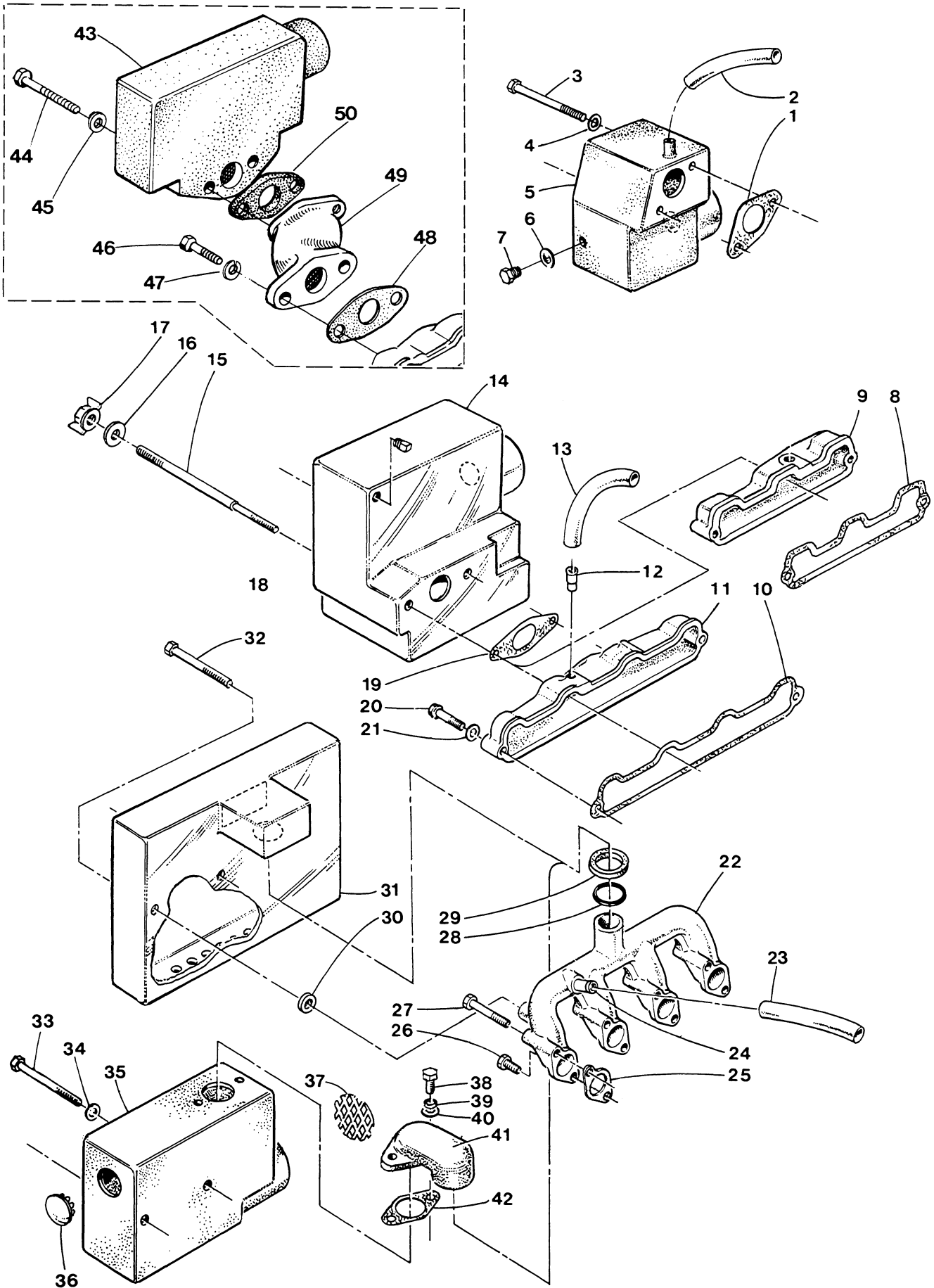
WESTERBEKE 13-18-21-27-33 - LUBE OIL PUMP

REF	P N	NAME	REMARKS	QUAN
36- 1	3 4761	SWITCH	OIL PRESSURE-MARINE ALARM	1
36- 2	3 3348	SWITCH	OIL PRESSURE-GENSET SAFETY	1
36- 3	2 4844	ADAPTER	1/8BSPT TO 1/8NPT	1
36- 4	1 5122	ELBOW	STREET 1/8NPT 45 DEGREE-W13	1
37- 1	3 0290	WASHER	OIL PICKUP TUBE-W13	1
37- 2	3 3280	WASHER	OIL PICKUP TUBE-W18	1
37- 3	3 0291	WASHER	OIL PICKUP TUBE-W21 TO S/N 14642	1
37- 4	3 3280	WASHER	OIL PICKUP TUBE-W21 FROM S/N 14643	1
37- 5	3 0291	WASHER	OIL PICKUP TUBE-W27 TO S/N 9946	1
37- 6	3 3280	WASHER	OIL PICKUP TUBE-W27 FROM S/N 9947	1
37- 7	3 3280	WASHER	OIL PICKUP TUBE-W33 FROM S/N 5188	1
38- 1	3 1807	NUT	JAM-M12 X 1.25-W13	1
38- 2	3 3538	NUT	JAM-M16 X 1.5-W18	1
38- 3	3 1809	NUT	JAM-M14 X 1.5-W21 TO S/N 14642	1
38- 4	3 3538	NUT	JAM-M16 X 1.5-W21 FROM S/N 14643	1
38- 5	3 1809	NUT	JAM-M14 X 1.5-W27 TO S/N 9946	1
38- 6	3 3538	NUT	JAM-M16 X 1.5-W27 FROM S/N 9947	1
38- 7	3 3538	NUT	JAM-M16 X 1.5-W33 FROM S/N 5188	1
39- 1	3 0373	TUBE	OIL PICKUP-W13	1
39- 2	3 3282	TUBE	OIL PICKUP-W18	1
39- 3	3 0585	TUBE	OIL PICKUP-W21 TO S/N 14643	1
39- 4	3 3282	TUBE	OIL PICKUP-W21 FROM S/N 14644	1
39- 5	3 0586	TUBE	OIL PICKUP-W27 TO S/N 9946	1
39- 6	3 3283	TUBE	OIL PICKUP-W27 FROM S/N 9947	1
39- 7	3 3281	TUBE	OIL PICKUP-W33 FROM S/N 5188	1
40	3 0466	GASKET	OIL PICKUP TUBE-W33 TO S/N 5187	1
41	3 0465	TUBE	OIL PICKUP-W33 TO S/N 5187	1
42	3 1783	LOCKWASHER	M6 DIN 127-W33 TO S/N 5187	2
43	3 1810	CAPSCREW	M6 X 14 DIN 933-W33 TO S/N 5187	2

WESTERBEKE 13-18-21-27-33 - INTAKE MANIFOLD AND SILENCER

REF	PN	NAME	REMARKS	QUAN
1	30187	GASKET	SILENCER-W13-13A	1
2	32169	HOSE	BREATHER-W13-13A	1
3	24998	CAPSCREW	M10 X 1.25 X 110 DIN 960-W13	2
4	31789	WASHER	M10 DIN 125-W13	2
5- 1	30124	SILENCER	AIR INTAKE-W13	1
5- 2	24920	SILENCER	AIR INTAKE-4.4KW	1
6	31777	WASHER	1/2-4.4KW	1
7	31726	CAPSCREW	1/2NF X 1/2-4.4KW	1
8	30520	GASKET	INTAKE MANIFOLD TO HEAD-W18-21	1
9	30518	MANIFOLD	AIR INTAKE-W18-21	1
10	30521	GASKET	INTAKE MANIFOLD TO HEAD-W27	1
11	30519	MANIFOLD	AIR INTAKE-W27	1
12	30219	CONNECTOR	HOSE TO MANIFOLD-W18-21-27	1
13- 1	32170	HOSE	BREATHER-W18-21	1
13- 2	32171	HOSE	BREATHER-W27	1
14- 1	24674	SILENCER	AIR INTAKE-W21 TO S/N 27902	1
14- 2	30026	SILENCER	AIR INTAKE-8KW TO S/N 27902	1
14- 3	30026	SILENCER	AIR INTAKE-6KW TO S/N 27075	1
14- 4	30019	SILENCER	AIR INTAKE-W27	1
14- 5	24764	SILENCER	AIR INTAKE-11KW	1
15	24834	STUD	MANIFOLD AND SILENCER-W21-27	2
16	30020	GASKET	SILENCER TO STUD-W21-27	2
17	24902	WING NUT	NYLON LOCKING-W21-27	2
18	19032	PLUG	NYLON 1/8NPT	1
19	30052	GASKET	SILENCER TO MANIFOLD-W21-27	1
20- 1	18811	CAPSCREW	M8 X 40 DIN 931-W21	1
20- 2	18811	CAPSCREW	M8 X 40 DIN 931-W27	2
21- 1	31786	LOCKWASHER	M8 DIN 127-W21	1
21- 2	31786	LOCKWASHER	M8 DIN 127-W27	2
22	30471	MANIFOLD	AIR INTAKE-W33	1
23	30295	HOSE	BREATHER-W33	1
24	30223	CONNECTOR	HOSE TO MANIFOLD-W33	1
25	30472	GASKET	MANIFOLD TO HEAD-W33	4
26	24952	CAPSCREW	M10 X 1.25 X 25 DIN 961-W33	4
27	31821	CAPSCREW	M10 X 1.25 X 70 DIN 961-W33	4
28	30110	WASHER	MANIFOLD TO GASKET-W33	1
29	30111	GASKET	SILENCER TO MANIFOLD-W33	1
30	30104	GASKET	SILENCER MOUNT-W33	2
31- 1	30118	SILENCER	AIR INTAKE-PLASTIC-W33	1
31- 2	30135	SILENCER	AIR INTAKE-PLASTIC-12.5KW	1
32	24983	CAPSCREW	M8 X 75 DIN 931-W33	2
33	31813	CAPSCREW	M8 X 80 DIN 931-W33	2
34	31787	WASHER	FLAT M8 DIN 125	2
35- 1	31207	SILENCER	AIR INTAKE-ALUMINUM-W33	1
35- 2	31208	SILENCER	AIR INTAKE-ALUMINUM-12.5KW	1
36	31145	PLUG	INCLUDED IN REF 35	1
37	30167	SCREEN	INCLUDED IN REF 35	1
38	31553	CAPSCREW	5/16NC X 3/4	2
39	31758	LOCKWASHER	5/16	2
40	31759	WASHER	FLAT 5/16	2

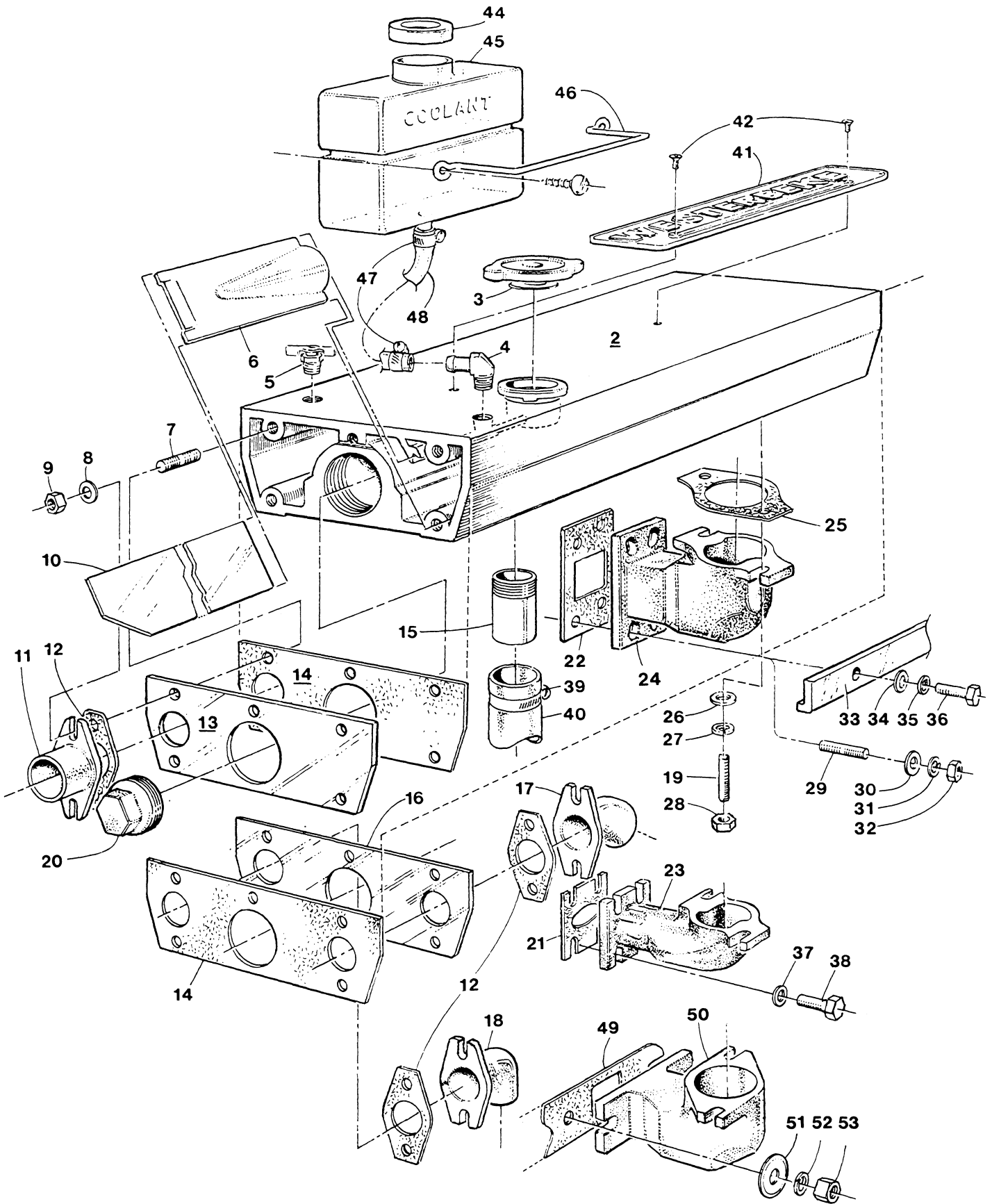
WESTERBEKE 13-18-21-27-33 - INTAKE MANIFOLD AND SILENCER



WESTERBEKE 13-18-21-27-33 - INTAKE MANIFOLD AND SILENCER

REF	PN	NAME	REMARKS	QUAN
41	30934	FLANGE	SILENCER TO MANIFOLD	1
42	31337	GASKET	SILENCER TO FLANGE	1
43- 1	34727	SILENCER	AIR INTAKE-6KW FROM S/N 27076	1
43- 2	34744	SILENCER	AIR INTAKE-W21 FROM S/N 27903	1
43- 3	34727	SILENCER	AIR INTAKE-8KW FROM S/N 27903	1
43- 4	34744	SILENCER	AIR INTAKE-W18-21A	1
43- 5	34890	SILENCER	AIR INTAKE-W27A	1
44	31561	CAPSCREW	5/16NF X 2-1/2	2
45	31759	WASHER	FLAT 5/16	2
46	18812	CAPSCREW	M8 X 70 DIN 931	2
47	31786	LOCKWASHER	M8 DIN 127	2
48	34668	GASKET	ADAPTER TO MANIFOLD	1
49	34646	ADAPTER	SILENCER TO MANIFOLD-OFFSET	1
50	34612	GASKET	SILENCER TO ADAPTER	1
51	34238	ADAPTER	SILENCER TO MANIFOLD-STRAIGHT	1
52- 1	34892	SILENCER	AIR INTAKE-W13A	1
52- 2	35040	SILENCER	AIR INTAKE BC-4.4KW	1
53	31789	WASHER	M10 DIN 125	2
54	19262	LOCKWASHER	M10 DIN 127	2
55	31228	CAPSCREW	M10 X 1.25 X 30 DIN 961	2

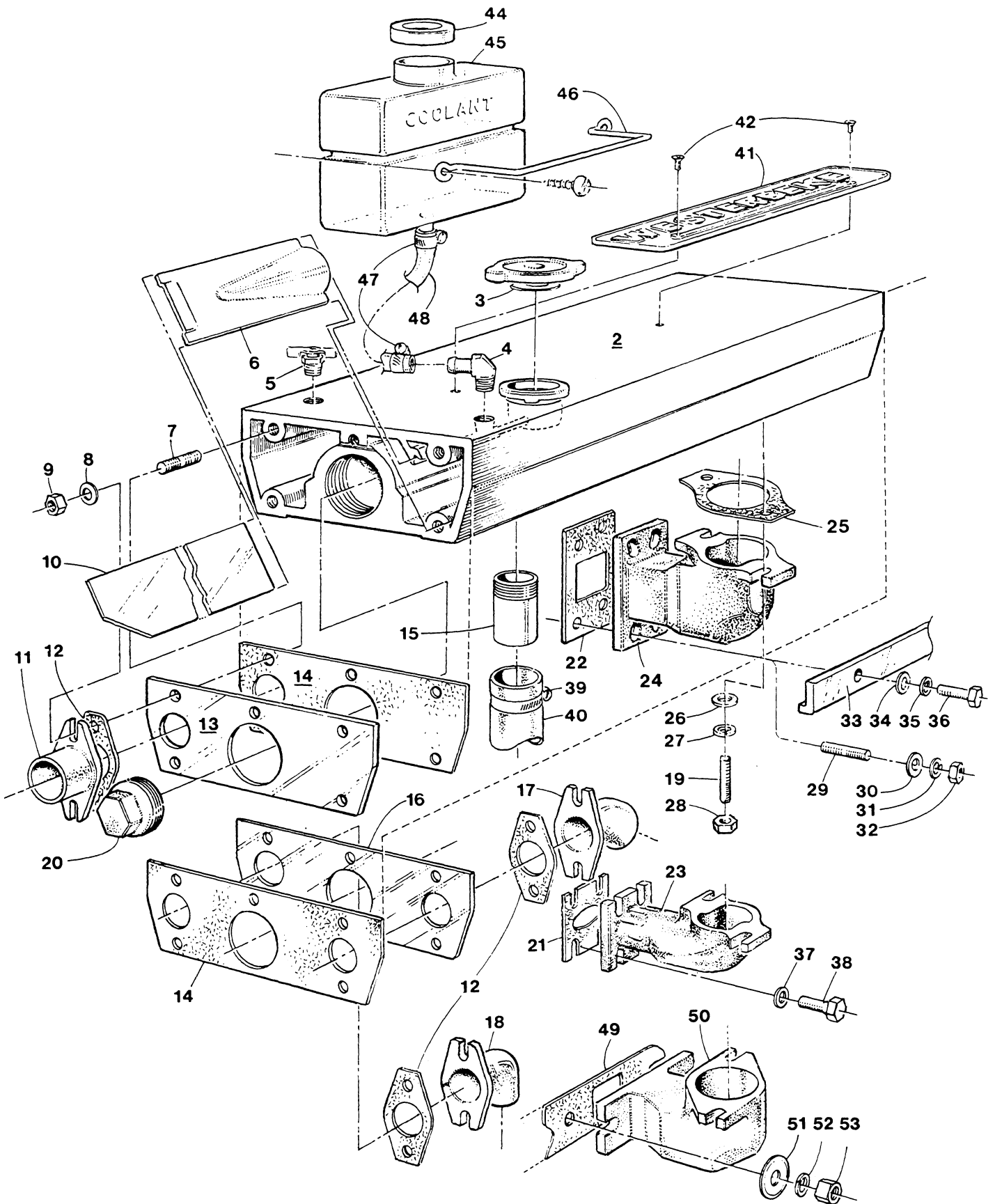
WESTERBEKE EXTRUDED EXHAUST MANIFOLD



WESTERBEKE EXTRUDED EXHAUST MANIFOLD

REF	PN	NAME	REMARKS	QUAN
2- 1	24298	MANIFOLD	WITH NECK-W13	1
2- 2	24276	MANIFOLD	WITH NECK-W21-6KW	1
2- 3	24294	MANIFOLD	WITH NECK-W27	1
2- 4	24300	MANIFOLD	WITH NECK-W33	1
2- 5	30012	MANIFOLD	WITH NECK-W52-58	1
2- 6	30122	MANIFOLD	WITH NECK-W50	1
3	24306	CAP	FILLER	1
4	24907	ELBOW	MANIFOLD TO RECOVERY TANK HOSE	1
5- 1	11471	PETCOCK	MANIFOLD BLEED	1
5- 2	19369	PLUG	BRASS-MANIFOLD BLEED	1
6	24748	DIVERTER		1
7	24838	STUD	MANIFOLD END	10
8	31752	LOCKWASHER	1/4	10
9	31750	NUT	1/4NC	10
10- 1	24843	BAFFLE	W13-21-6KW	1
10- 2	30015	BAFFLE	W27	1
10- 3	30016	BAFFLE	W33	1
10- 4	30154	BAFFLE	W52-58	1
10- 5	30153	BAFFLE	W50	1
11	24770	CONNECTOR	FRESH WATER TO MANIFOLD-STRAIGHT	1
12	24763	GASKET	FRESH WATER CONNECTOR	3
13	24779	COVER	MANIFOLD END-FRONT	1
14	24780	GASKET	COVER TO MANIFOLD	2
15	31160	NIPPLE	HOSE	1
16	24775	COVER	MANIFOLD END-REAR	1
17- 1	24772	CONNECTOR	FRESH WATER 45 DEG-W50-52-58	2
17- 2	24772	CONNECTOR	FRESH WATER 45 DEG-W13-21-27-33	1
18	30116	CONNECTOR	FRESH WATER 90 DEG-W13-21-27-33	1
19- 1	11263	STUD	W13	4
19- 2	11263	STUD	W21-50-6KW	6
19- 3	11263	STUD	W27-33-52-58	8
20- 1	19324	PLUG	UNUSED EXHAUST OUTLET	1
20- 2		LOC-TITE	ANTI-SEIZE MUST BE USED ON THREADS	
21	30937	GASKET	ELBOW TO HEAD-W13	2
22- 1	24663	GASKET	ELBOW TO HEAD-W21-6KW	3
22- 2	24663	GASKET	ELBOW TO HEAD-W27-33-52-58	4
23	24784	ELBOW	MANIFOLD TO HEAD-W13	2
24- 1	24270	ELBOW	MANIFOLD TO HEAD-W21-6KW	3
24- 2	24270	ELBOW	MANIFOLD TO HEAD-W27-33-52-58	4
25- 1	24662	GASKET	MANIFOLD TO ELBOW-W13	2
25- 2	24662	GASKET	MANIFOLD TO ELBOW-W21-50-6KW	3
25- 3	24662	GASKET	MANIFOLD TO ELBOW-W27-33-52-58	4
26- 1	31759	WASHER	FLAT 5/16-W13	4
26- 2	31759	WASHER	FLAT 5/16-W21-50-6KW	6
26- 3	31759	WASHER	FLAT 5/16-W27-33-52-58	8
27- 1	31758	LOCKWASHER	5/16-W13	4
27- 2	31758	LOCKWASHER	5/16-W21-50-6KW	6
27- 3	31758	LOCKWASHER	5/16-W27-33-52-58	8
28- 1	31760	NUT	5/16NF-W13	4
28- 2	31760	NUT	5/16NF-W21-50-6KW	6
28- 3	31760	NUT	5/16NF-W27-33-52-58	8

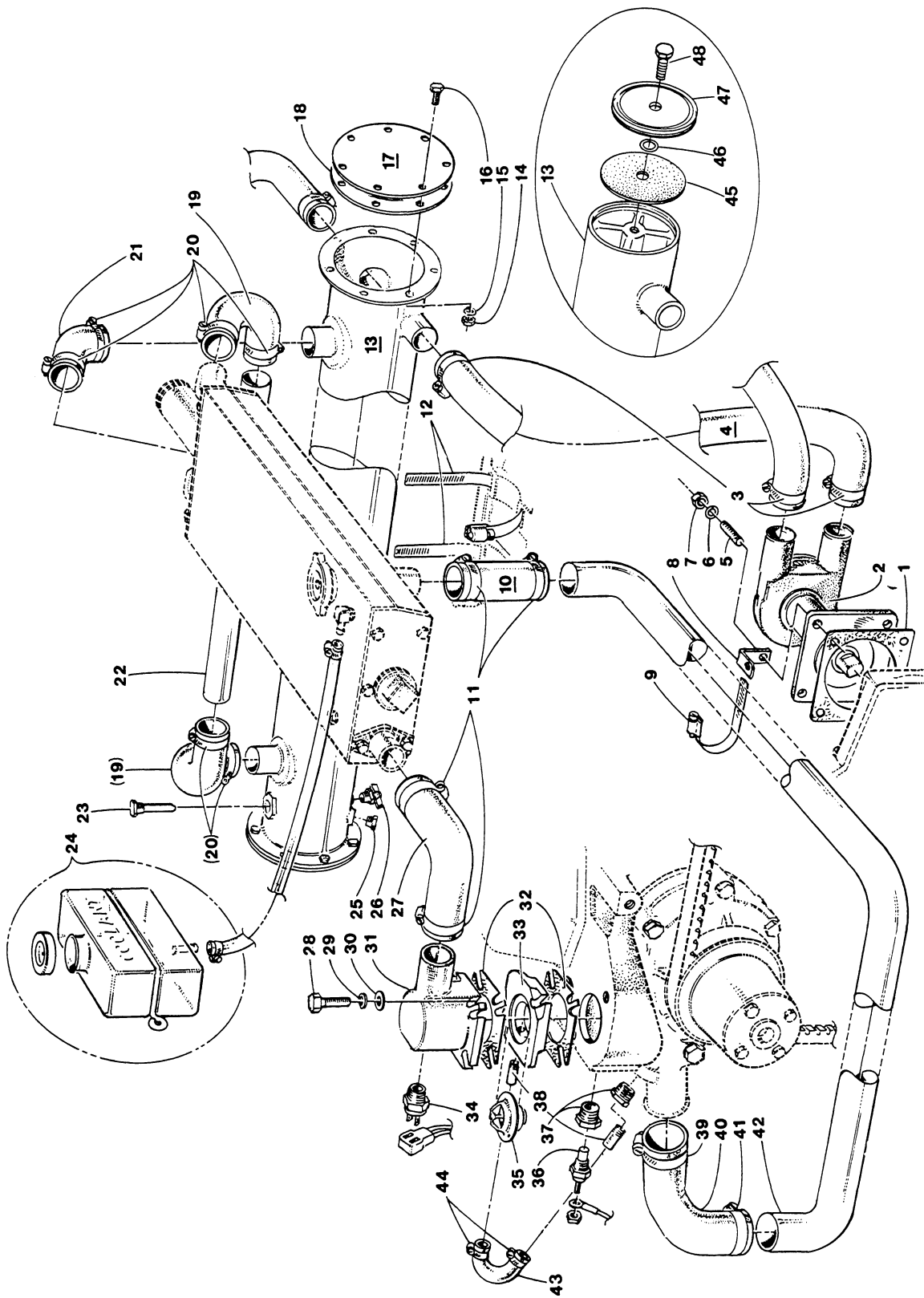
WESTERPEKE EXTRUDED EXHAUST MANIFOLD



WESTERBEKE EXTRUDED EXHAUST MANIFOLD

REF	P N	NAME	REMARKS	QUAN
29- 1	15830	STUD	ELBOW TO HEAD-W21-6KW	6
29- 2	15830	STUD	ELBOW TO HEAD-W27	8
29- 3	12493	STUD	5/16NF X 1-1/4-W52-58	8
30- 1	32273	WASHER	EXHAUST ELBOW-D SHAPE-W21-6KW	6
30- 2	32273	WASHER	EXHAUST ELBOW-D SHAPE-W27	8
30- 3	31759	WASHER	FLAT 5/16-W52-58	8
31- 1	31786	LOCKWASHER	M8 DIN 127-W21-6KW	6
31- 2	31786	LOCKWASHER	M8 DIN 127-W27	8
31- 3	31758	LOCKWASHER	5/16-W52-58	8
32- 1	18242	NUT	M8 DIN 934-W21-6KW	6
32- 2	18242	NUT	M8 DIN 934-W27	8
32- 3	31760	NUT	5/16NF-W52-58	8
33	30027	BRACE	ELBOW CLAMPING-W33	1
34	31789	WASHER	M10 DIN 125-W33	4
35	19262	LOCKWASHER	M10 DIN 127-W33	6
36	31083	CAPSCREW	M10X1.25X30 JIS-W33	6
37- 1	31789	WASHER	M10 DIN 125-W13	4
37- 2	19262	LOCKWASHER	M10 DIN 127-W13	4
38	31083	CAPSCREW	M10X1.25X30 JIS-W13	4
39	21878	CLAMP	HOSE	1
40		HOSE	MANIFOLD TO TUBE-REFER TO COOLING SYSTEM	
41	24986	NAMEPLATE		1
42		SCREW	8-32X1/4 OVAL HEAD SS	2
43	24977	KIT	COOLANT RECOVERY REF 44-48	1
44	24858	CAP	COOLANT RECOVERY TANK	1
45	24704	TANK	COOLANT RECOVERY	1
46	24786	STRAP	TANK MOUNTING	1
47	24906	CLAMP	HOSE	2
48	24637	TUBING	INCHES REQUIRED	30
49	11859	GASKET	HEAD TO MANIFOLD ELBOWS AND SILENCER-W50	1
50- 1	24744	ELBOW	MANIFOLD TO HEAD-ENDS-W50	2
50- 2	24226	ELBOW	MANIFOLD TO HEAD-CENTER-W50	1
51- 1	15441	WASHER	ELBOW AND SILENCER RETAINING	4
51- 2	31759	WASHER	5/16 FLAT-W50	2
52	31758	LOCKWASHER	5/16-W50	6
53	31760	NUT	5/16NF-W50	6

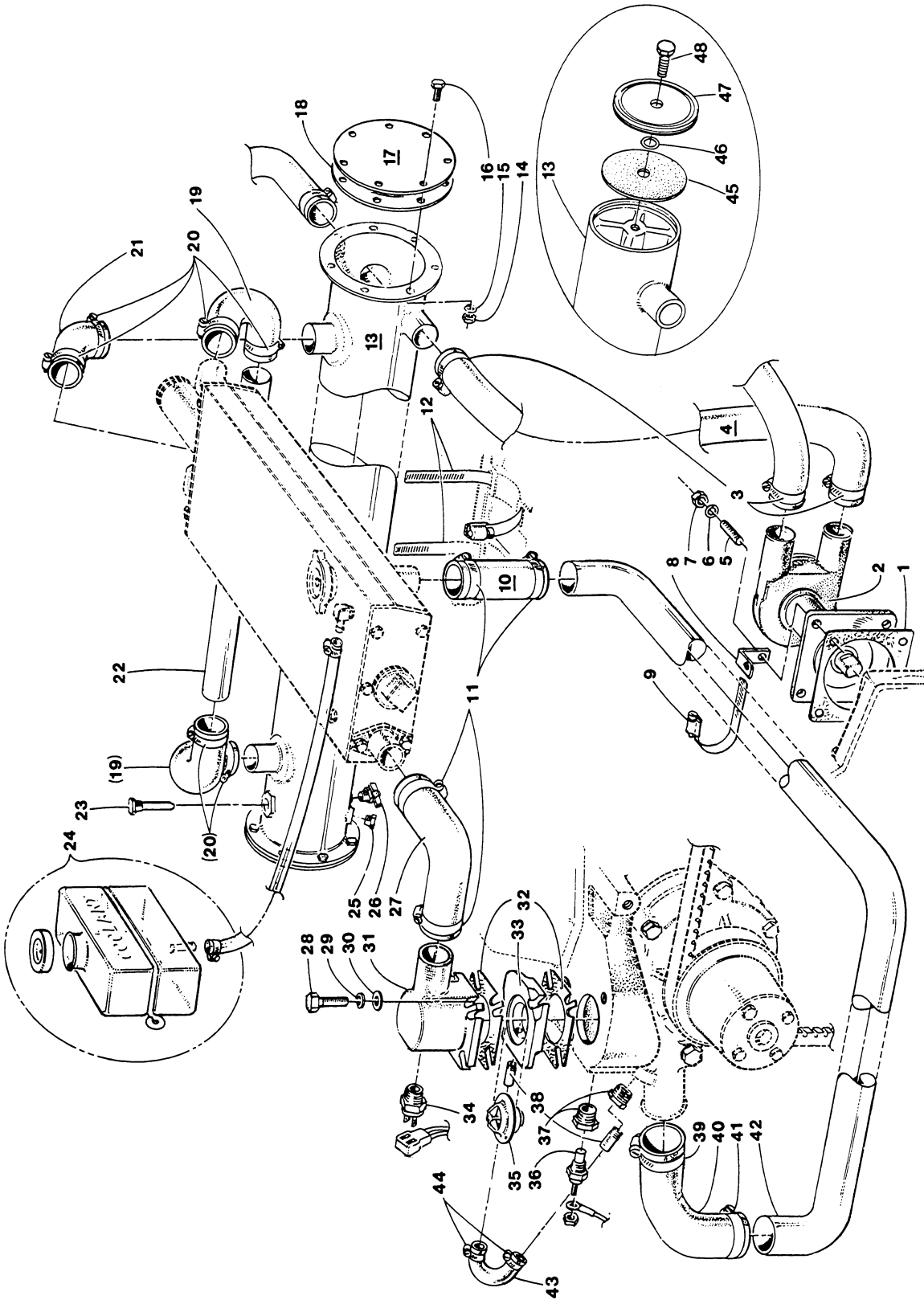
WESTERBEKE 13-21-27-33 - COOLING SYSTEM



WESTERBEKE 13-21-27-33 - COOLING SYSTEM

REF	PN	NAME	REMARKS	QUAN
1	30326	GASKET	SEA WATER PUMP TO TIMING CASE	1
2	24143	PUMP	SEA WATER	1
3	11386	CLAMP	HOSE 12	2
4	30166	HOSE	SEA WATER PUMP TO EXCHANGER	1
5	15830	STUD	SEA WATER PUMP MOUNTING	4
6	31786	LOCKWASHER	M8 DIN 127	4
7	18242	NUT	M8 DIN 934	4
8	24117	BRACKET	FRESH WATER TUBE SUPPORT-W21-27-33	1
9	11405	CLAMP	HOSE 16-W21-27-33	1
10- 1	24334	HOSE	ELBOW-MANIFOLD TO TUBE-W13	1
10- 2	24974	HOSE	MANIFOLD TO TUBE-W21-27-33 INCHES REQD	6
11	21878	CLAMP	HOSE 20	4
12- 1	11505	CLAMP	HOSE-EXCHANGER TO HOUSING 1/2 IN WIDE	2
12- 2	33754	CLAMP	EXCHANGER TO HOUSING 5/8 WIDE FROM 11/84	2
13	24774	EXCHANGER	HEAT	1
14	31750	NUT	1/4NC	14
15	31752	LOCKWASHER	1/4	14
16	31502	CAPSCREW	1/4NC X 5/8	14
17	31290	COVER	EXCHANGER END	2
18	31291	GASKET	EXCHANGER END COVER	2
19- 1	24305	HOSE	ELBOW-W13	2
19- 2	24304	HOSE	ELBOW-W21-27-33	2
20	21878	CLAMP	HOSE 20	6
21	24974	HOSE	WIRE INSERTED 1-3/8ID-INCHES REQD	6
22	32229	TUBE	1-3/8OD X 12-7/8LG	1
23	11885	ZINC		1
24	24977	KIT	COOLANT RECOVERY TANK	1
25	19369	PLUG	HEX HEAD 1/8NPT BRASS	2
26	11471	PETCOCK		1
27	24334	HOSE	ELBOW-THERMOSTAT HOUSING TO MANIFOLD	1
28	31259	CAPSCREW	M8 X 45 DIN 912-W21-27-33	2
29	31786	LOCKWASHER	M8 DIN 127-W21-27-33	2
30	31787	WASHER	M8 DIN 125-W21-27-33	2
31	24258	HOUSING	THERMOSTAT-W21-27-33	1
32- 1	24323	GASKET	THERMOSTAT HOUSING-W13	1
32- 2	24323	GASKET	THERMOSTAT HOUSING-W21-27-33	2
33	24846	ADAPTER	THERMOSTAT-W21-27-33	1
34- 1	30125	SWITCH	WATER TEMPERATURE-MARINE ALARM	1
34- 2	22131	BUSHING	REDUCER 1/4NPT TO 1/8NPT-MARINE	1
34- 3	30096	SWITCH	WATER TEMPERATURE-GENSET SAFETY	1
35	24688	THERMOSTAT		1
36	23571	SENDER	WATER TEMPERATURE	1
37	24848	BUSHING	REDUCER 3/8-19BSPT TO 1/8NPT-W21-27-33	2
38- 1	16690	NIPPLE	HOSE-W21-27	2
38- 2	33236	NIPPLE	HOSE-W33	2
39- 1	11405	CLAMP	HOSE 16-W13	1
39- 2	21878	CLAMP	HOSE 20-W21-27-33	1
40- 1	24917	HOSE	ELBOW-W13	1
40- 2	24305	HOSE	ELBOW-W21-27-33	1

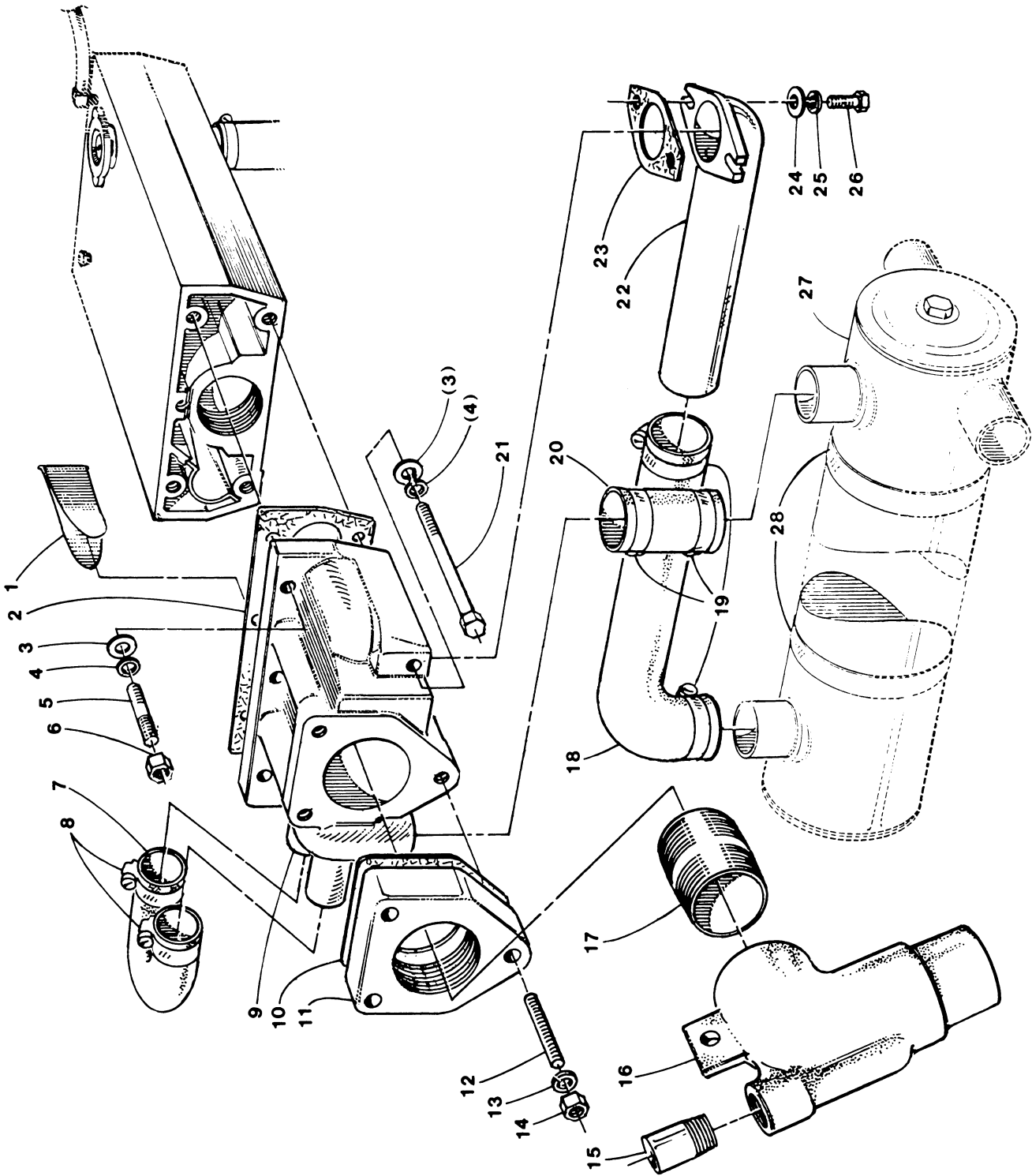
WESTERBEKE 13-21-27-33 - COOLING SYSTEM



WESTERBEKE 13-21-27-33 - COOLING SYSTEM

REF	PA	NAME	REMARKS	QUAN
41	21878	CLAMP	HOSE 20	1
42- 1	30014	TUBE	FRESH WATER PUMP TO MANIFOLD-W13	1
42- 2	24796	TUBE	FRESH WATER PUMP TO MAINFOLD-W21-27-33	1
43	24927	HOSE	BY-PASS-W21-27-33-INCHES REQUIRED	5
44	17298	CLAMP	HOSE-W21-27-33	2
45	22851	GASKET	EXCHANGER END COVER	2
46	19321	O-RING	EXCHANGER END COVER	2
47	22850	COVER	EXCHANGER END	2
48	22852	CAPSCREW	3/8NC X 1/2 BRASS	2

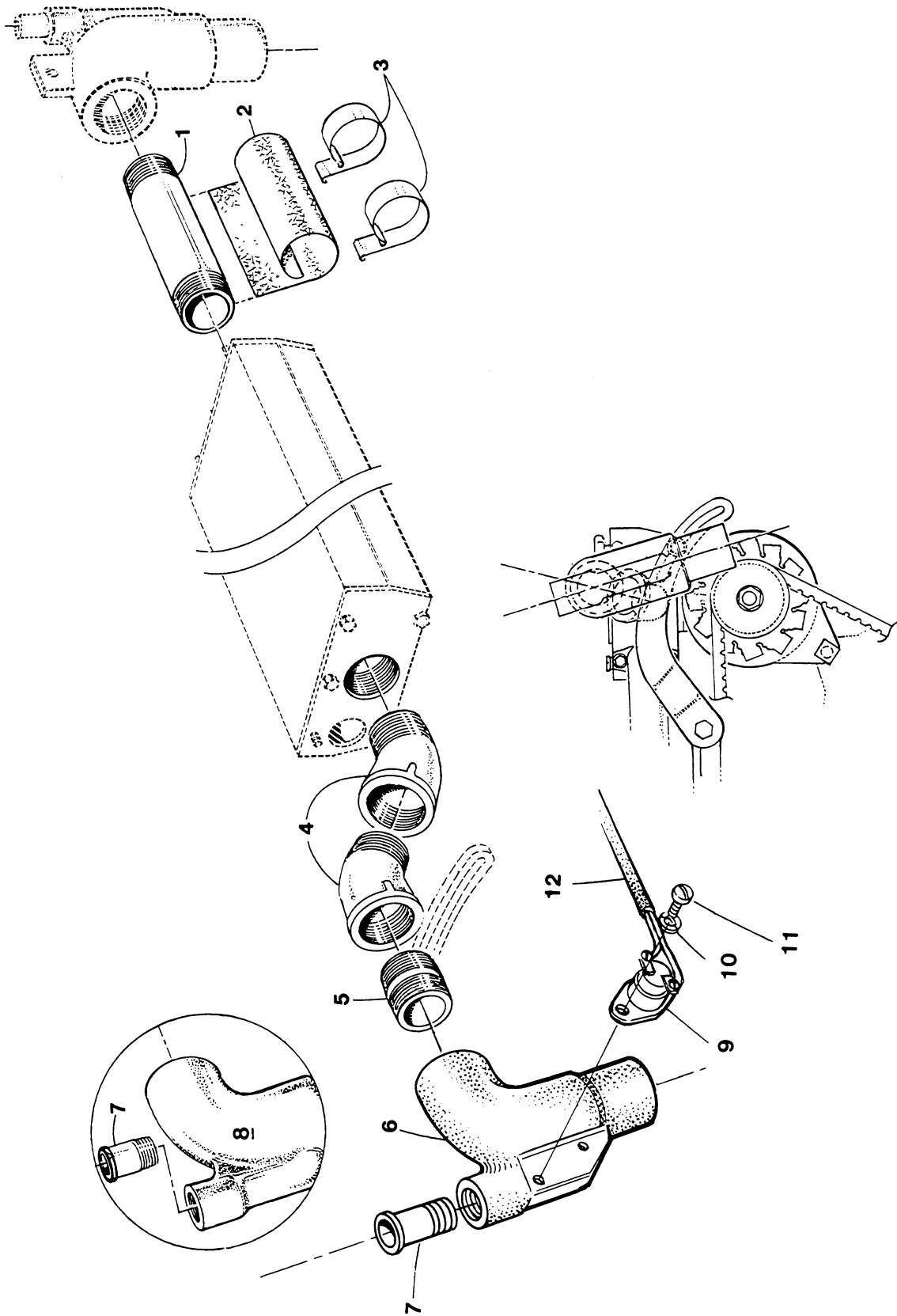
WESTERBEKE 13-21-27-33 - FLOWCONTROLLER



WESTERBEKE 13-21-27-33 - FLOWCONTROLLER

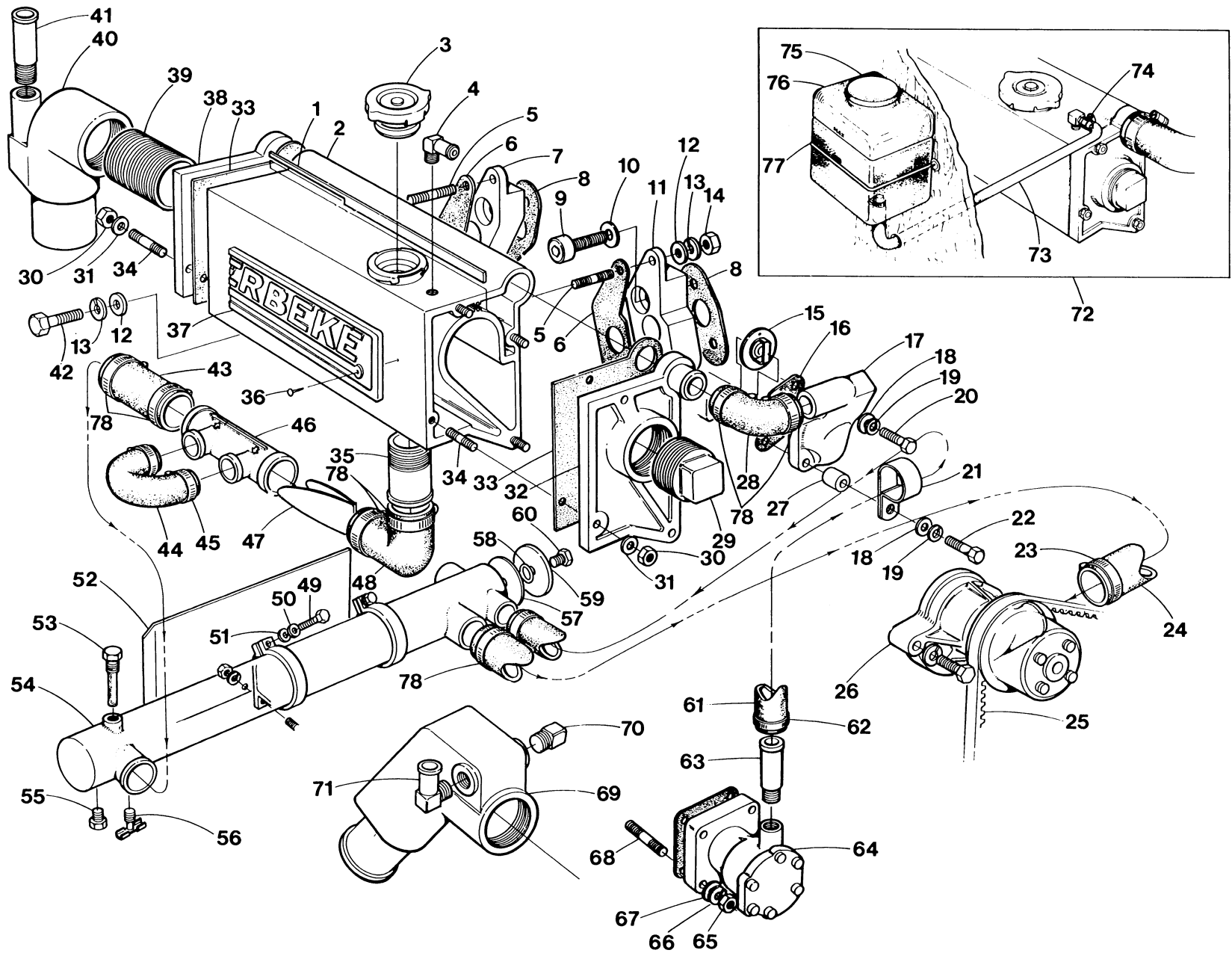
REF	PN	NAME	REMARKS	QUAN
1	30165	SPRING	FLOWCONTROLLER	1
2	24780	GASKET	MANIFOLD TO FLOWCONTROLLER	1
3	31753	WASHER	FLAT 1/4	5
4	31752	LOCKWASHER	1/4	5
5	24838	STUD	MANIFOLD END	4
6	31750	NUT	1/4NC	4
7	30962	RETURNBEND	HOSE-WHEN WATER HEATER NOT INSTALLED	1
8	11386	CLAMP	HOSE 12	2
9- 1	31202	HOUSING	FLOWCONTROLLER-W13	1
9- 2	31198	HOUSING	FLOWCONTROLLER-W21-27-33	1
10	31206	GASKET	ADAPTER TO FLOWCONTROLLER	1
11	31204	ADAPTER	EXHAUST NIPPLE TO FLOWCONTROLLER	1
12	31492	STUD	5/16NC X 1-7/8	3
13	31758	LOCKWASHER	5/16	3
14	31756	NUT	5/16NC	3
15	32230	NIPPLE	1/2 NPT TO 7/8ID HOSE	1
16	15985	ELBOW	WATER INJECTED EXHAUST	1
17	20439	NIPPLE	1.5NPT CLOSE	1
18- 1	24305	HOSE	ELBOW-W13	1
18- 2	24304	HOSE	ELBOW-W21-27-33	1
19	21878	CLAMP	HOSE 20	4
20	24974	HOSE	WIRE INSERTED 1-3/8ID INCHES REQD	6
21	31514	CAPSCREW	1/4NC X 3-1/4	1
22	30738	ELBOW		1
23	24763	GASKET	ELBOW TO FLOWCONTROLLER	1
24	31753	WASHER	FLAT 1/4	2
25	31752	LOCKWASHER	1/4	2
26	31505	CAPSCREW	1/4NC X 1	2
27	24774	EXCHANGER	HEAT	1
28- 1	11505	CLAMP	HOSE 48-EXCHANGER TO HOUSING 1/2 IN WIDE	2
28- 2	33754	CLAMP	EXCHANGER TO HOUSING 5/8 WIDE FROM 11/84	2
50- 1		LOC-TITE	ANTI-SEIZE MUST BE USED ON THREADS FOR	
50- 2			EXHAUST CONNECTIONS	

WESTERBEKE 13-21-27-33 - WATER INJECTED EXHAUST



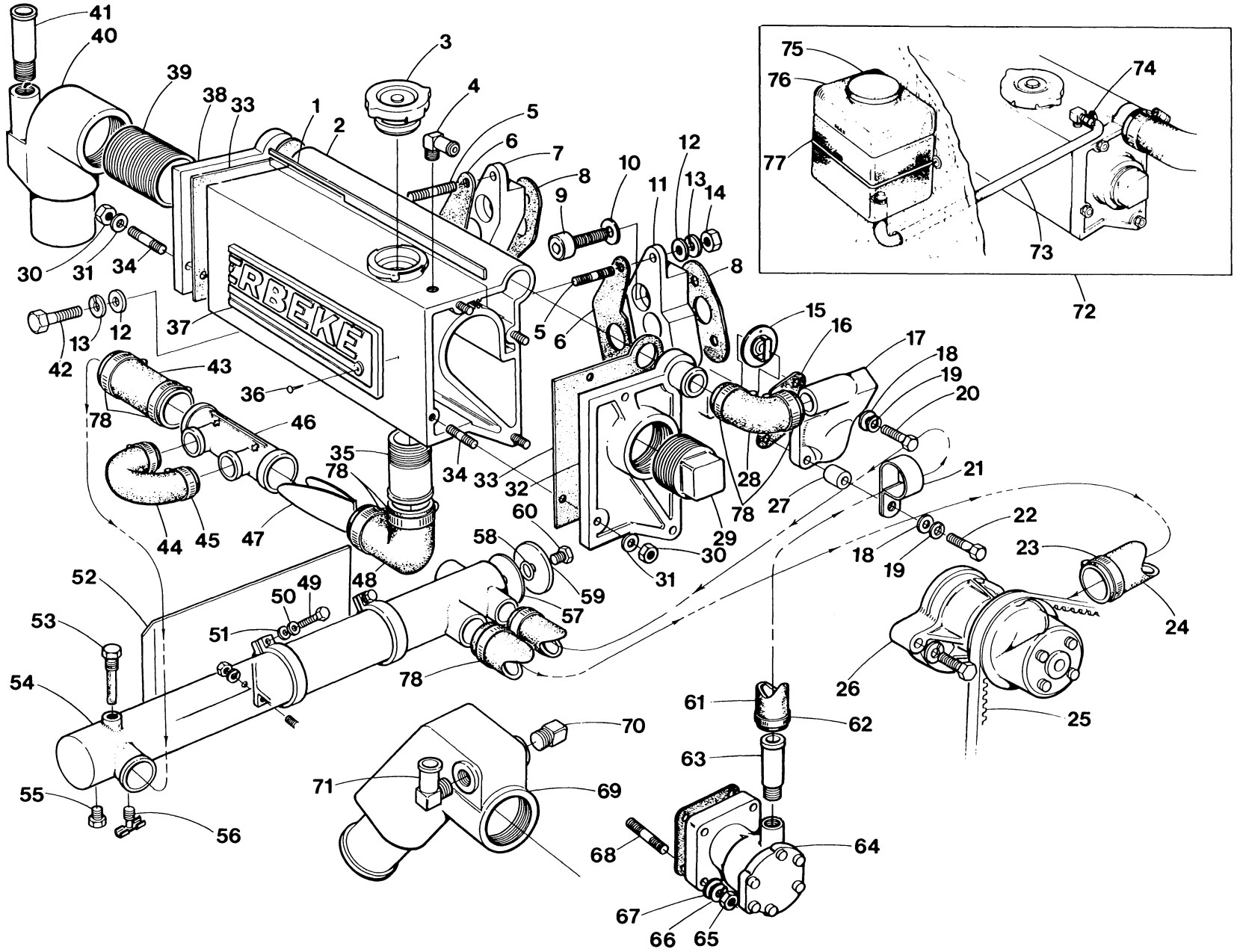
WESTERBEKE 13-21-27-33 - WATER INJECTED EXHAUST

REF	PN	NAME	REMARKS	QUAN
1	22923	NIPPLE	1.5NPT X 6	1
2	30060	INSULATOR	EXHAUST NIPPLE	1
3	30058	CLAMP	INSULATOR RETAINING	2
4	30842	ELBOW	STREET 1.5NPT 45 DEGREE	2
5- 1	20439	NIPPLE	1.5NPT CLOSE-W21-27	1
5- 2	24141	NIPPLE	1.5NPT X 3-W33	1
6	33067	ELBOW	WATER INJECTED EXHAUST-GENSET	1
7	32230	NIPPLE	HOSE	1
8	15985	ELBOW	WATER INJECTED EXHAUST-MARINE	1
9- 1	32923	SWITCH	EXHAUST TEMPERATURE-GENSET SAFETY	1
9- 2		NOTE	THERMALCOTE THERMAL JOINING COMPOUND MUST BE USED BETWEEN SWITCH AND ELBOW FOR PROPER THERMAL TRANSFER TO OPERATE	
10	31845	LOCKWASHER	NO 8 INTERNAL TOOTH	2
11	31861	SCREW	8-32 X 1/4 BINDING HEAD SS	2
12	33213	TUBING	TEFLON-PROTECT WIRE-INCHES REQD	18
13- 1		LOC-TITE	ANTI-SEIZE MUST BE USED ON THREADS FOR	
13- 2			EXHAUST CONNECTIONS TO MANIFOLD	



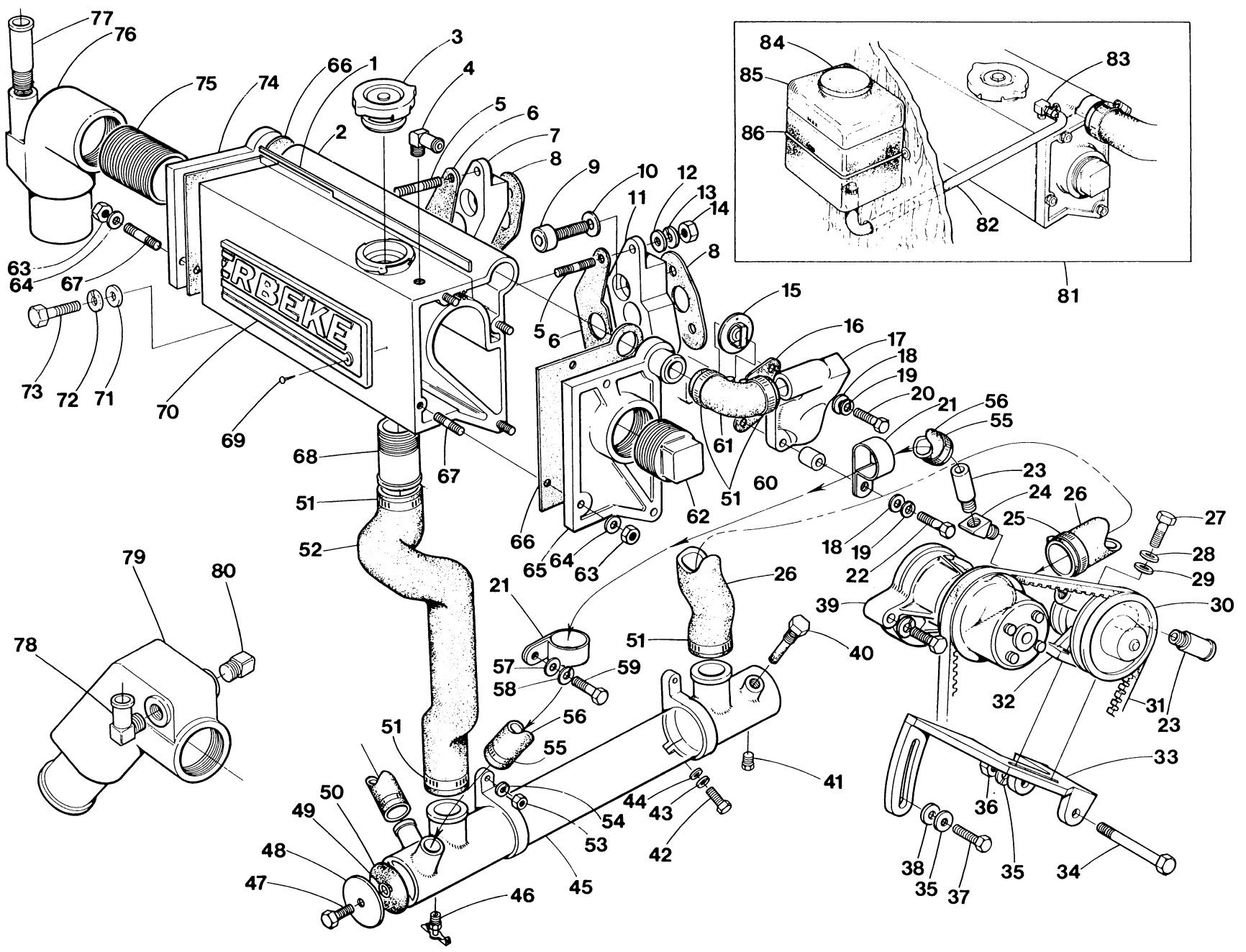
WESTERBEKE 13A - COOLING SYSTEM

REF	PN	NAME	REMARKS	QUAN
1		BAFFLE	INCLUDED IN MANIFOLD	1
2	34522	MANIFOLD	EXHAUST-ASSEMBLY	1
3	24306	CAP	PRESSURE	1
4	24907	ELBOW	MANIFOLD TO RECOVERY TANK HOSE	1
5	34685	STUD		2
6	34753	GASKET	MANIFOLD TO ADAPTER	2
7	34752	ADAPTER	MANIFOLD TO HEAD-REAR	1
8	30937	GASKET	ADAPTER TO HEAD	2
9	31228	CAPSCREW	M10 X 1.25 X 30 DIN 961	4
10	19262	LOCKWASHER	M10 DIN 127	4
11	34750	ADAPTER	MANIFOLD TO HEAD-FRONT	1
12	31759	WASHER	FLAT 5/16	4
13	31758	LOCKWASHER	5/16	4
14	31760	NUT	5/16NF	2
15	24688	THERMOSTAT		1
16	34196	GASKET	THERMOSTAT	1
17	24988	HOUSING	THERMOSTAT	1
18	31787	WASHER	M 8 DIN 125	2
19	31786	LOCKWASHER	M 8 DIN 127	2
20	13630	CAPSCREW	M 8 X 25 DIN 933	1
21	13741	CLAMP	SUPPORT HOSE	1
22	31225	CAPSCREW	M 8 X 60 DIN 931	1
23	11405	CLAMP	HOSE 16	1
24	32926	HOSE	EXCHANGER TO PUMP	1
25	30376	BELT		1
26	30379	PUMP	FRESH WATER	1
27	24735	SPACER		1
28	24334	HOSE	THERMOSTAT TO MANIFOLD	1
29- 1	19324	PLUG		1
29- 2		LOC-TITE	ANTI-SEIZE MUST BE USED ON THREADS	
30	31760	NUT	5/16NF	8
31	31758	LOCKWASHER	5/16	8
32	33852	FLANGE	MANIFOLD END-FRONT	1
33	34017	GASKET	MANIFOLD END	2
34	11263	STUD		8
35	34424	NIPPLE	HOSE	1
36		SCREW	8-32 X 1/4 OVAL HEAD SS	2
37	35411	NAMEPLATE		1
38	33856	FLANGE	MANIFOLD END-REAR	1
39- 1	20439	NIPPLE	1.5NPT CLOSE	1
39- 2		LOC-TITE	ANTI-SEIZE MUST BE USED ON THREADS	
40	15985	ELBOW	WATER INJECTED 90 DEGREE	1
41	32230	NIPPLE	HOSE	1
42	31556	CAPSCREW	5/16NC X 1-1/4	2
43	24974	HOSE	1-3/8 WIRE INSERTED-INCHES REQUIRED	6



WESTERBEKE 13A - COOLING SYSTEM

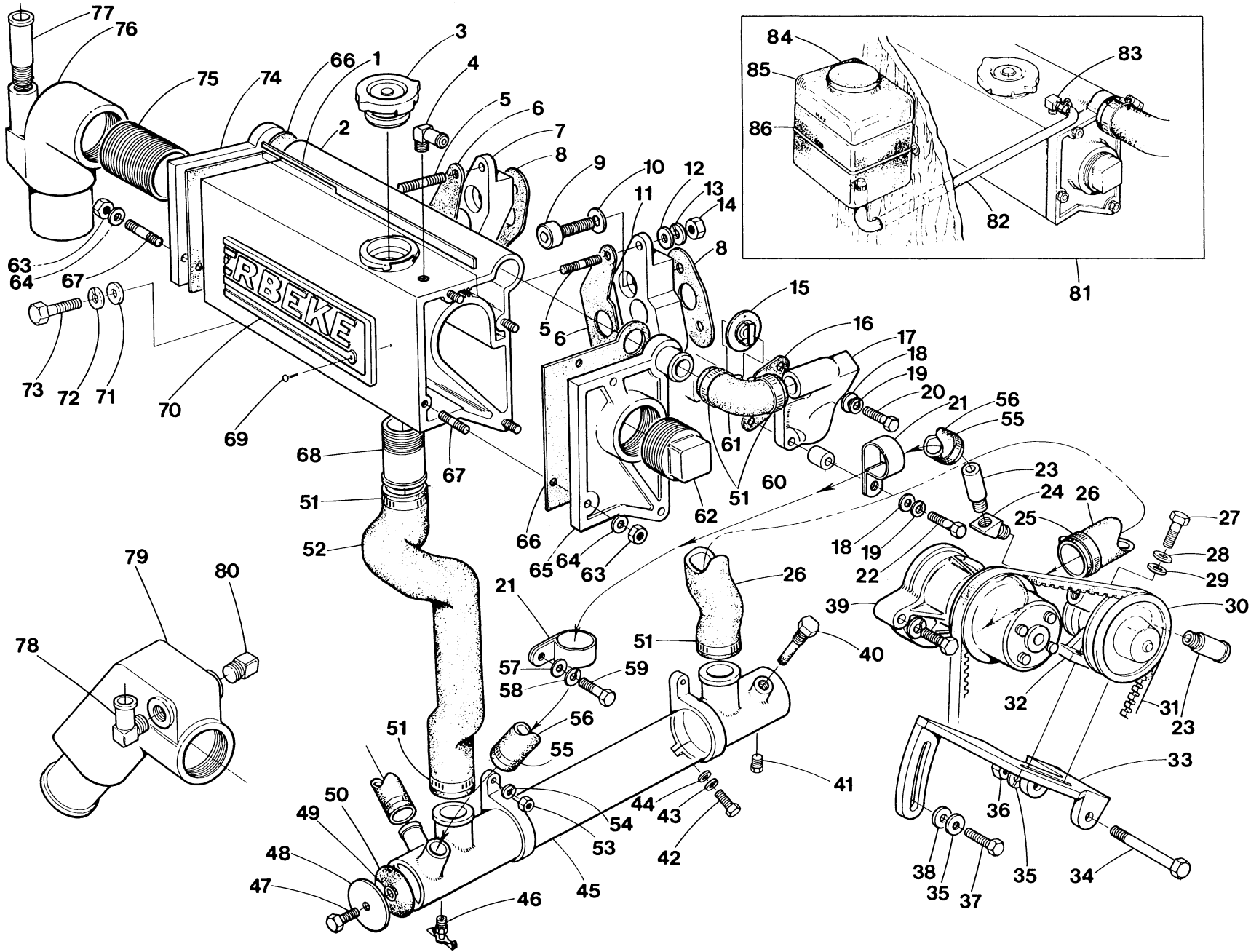
REF	PN	NAME	REMARKS	QUAN
44	30962	RETURNBEND	HOSE-WHEN HEATER NOT INSTALLED	1
45	11386	CLAMP	HOSE 12	2
46	34432	HOUSING	FLOWCONTROL	1
47	30165	SPRING	FLOWCONTROL	1
48	24334	HOSE		1
49	31506	CAPSCREW	1/4NC X 1-1/4	2
50	31752	LOCKWASHER	1/4	2
51	31753	WASHER	1/4	2
52	34422	BRACKET	FUEL LIFT PUMP AND FILTER	1
53	11885	ZINC		1
54	35007	EXCHANGER	HEAT	1
55	19369	PLUG		1
56	11471	PETCOCK		1
57	33298	GASKET	EXCHANGER END	1
58	19321	O-RING		1
59	33297	COVER	EXCHANGER END	1
60	33402	CAPSCREW	5/16NC X 1/2 BRASS	1
61	19059	HOSE	7/8 WIRE INSERTED-INCHES REQUIRED	33
62	11386	CLAMP	HOSE 12	2
63	34712	NIPPLE	HOSE	2
64	33636	PUMP	SEA WATER	1
65	18242	NUT	M 8 DIN 934	4
66	31786	LOCKWASHER	M 8 DIN 127	4
67	31787	WASHER	M 8 DIN 125	4
68	15830	STUD	M 8 X 22 DIN 939	4
69	34486	ELBOW	WATER INJECTED 45 DEGREE	1
70	35747	PLUG		1
71	30183	ELBOW	HOSE	1
72	24977	KIT	COOLANT RECOVERY TANK	1
73	24637	TUBING	INCHES REQUIRED	30
74	24906	CLAMP	HOSE	2
75	24858	CAP	COOLANT RECOVERY TANK	1
76	24704	TANK	COOLANT RECOVERY	1
77	24786	STRAP	TANK MOUNTING	1
78	21878	CLAMP	HOSE 20	7



WEBERKE EC-4.4KW - COOLING SYSTEM

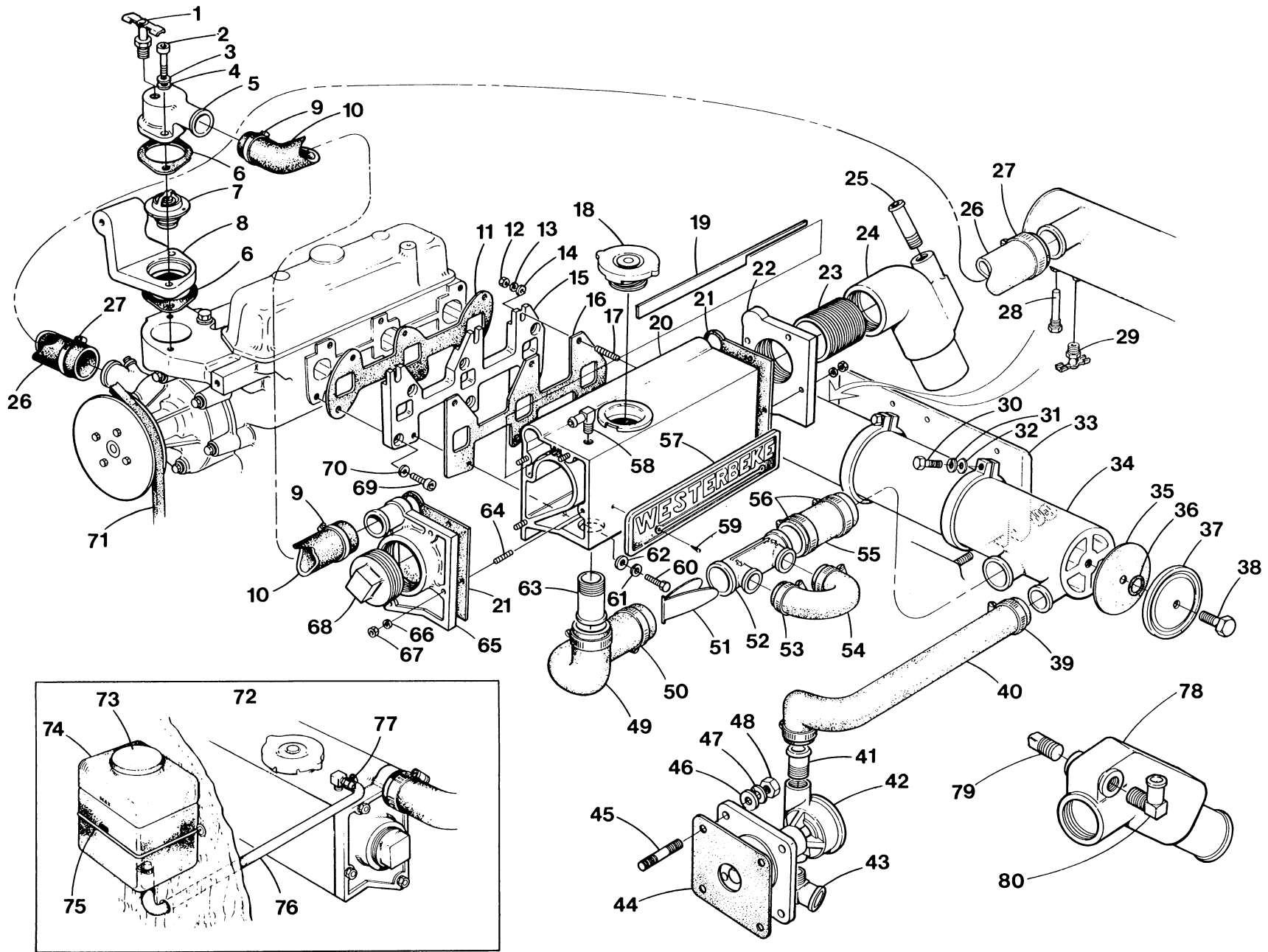
WESTERBEKE BC-4.4KW - COOLING SYSTEM

REF	PN	NAME	REMARKS	QUAN
1		BAFFLE	INCLUDED IN MANIFOLD	1
2	34522	MANIFOLD	EXHAUST-ASSEMBLY	1
3	24306	CAP	PRESSURE	1
4	24907	ELBOW	MANIFOLD TO RECOVERY TANK HOSE	1
5	34685	STUD		2
6	34753	GASKET	MANIFOLD TO ADAPTER	2
7	34752	ADAPTER	MANIFOLD TO HEAD-REAR	1
8	30937	GASKET	ADAPTER TO HEAD	2
9	31228	CAPSCREW	M10 X 1.25 X 30 DIN 961	4
10	19262	LOCKWASHER	M10 DIN 127	4
11	34750	ADAPTER	MANIFOLD TO HEAD-FRONT	1
12	31759	WASHER	5/16	2
13	31758	LOCKWASHER	5/16	2
14	31760	NUT	5/16NF	2
15	24688	THERMOSTAT		1
16	34196	GASKET	THERMOSTAT	1
17	24988	HOUSING	THERMOSTAT	1
18	31787	WASHER	M 8 DIN 125	2
19	31786	LOCKWASHER	M 8 DIN 127	2
20	13630	CAPSCREW	M 8 X 25 DIN 933	1
21	13741	CLAMP	SUPPORT HOSE	2
22	31225	CAPSCREW	M 8 X 60 DIN 931	1
23	32947	NIPPLE	HOSE	2
24	13337	ELBOW	3/8NPT STREET 45	1
25	11405	CLAMP	HOSE 16	1
26	35177	HOSE	EXCHANGER TO FRESH WATER PUMP	1
27	18804	CAPSCREW	M 6 X 20 DIN 933	2
28	31783	LOCKWASHER	M 6 DIN 127	2
29	31784	WASHER	M 6 DIN 125	2
30	32616	PULLEY	SEA WATER PUMP	1
31	30376	BELT		1
32	32617	PUMP	SEA WATER	1
33	35172	BRACKET	SEA WATER PUMP	1
34	18812	CAPSCREW	M 8 X 70 DIN 931	1
35	31786	LOCKWASHER	M 8 DIN 127	2
36	18242	NUT	M 8 DIN 934	1
37	24949	CAPSCREW	M 8 X 50 DIN 931	1
38	33381	WASHER		1
39	30379	PUMP	FRESH WATER	1
40	11885	ZINC		1
41	19369	PLUG		1
42	31506	CAPSCREW	1/4NC X 1-1/4	2
43	31752	LOCKWASHER	1/4	2
44	31753	WASHER	1/4	2



WESTERBEKE BC-4.4KW - COOLING SYSTEM

REF	PN	NAME	REMARKS	QUAN
45	35236	EXCHANGER	HEAT	1
46	11471	PETCOCK		1
47	33402	CAPSCREW	5/16NC X 1/2 BRASS	1
48	33297	COVER	EXCHANGER END	1
49	19321	O-RING		1
50	33298	GASKET	EXCHANGER END	1
51	21878	CLAMP	HOSE 20	5
52	35176	HOSE	MANIFOLD TO EXCHANGER	1
53	24957	NUT	M12 X 1.25 DIN 934	2
54	31792	LOCKWASHER	M12 DIN 127	2
55	11386	CLAMP	HOSE 12	2
56	19059	HOSE	7/8 WIRE INSERTED-INCHES REQUIRED	36
57	31787	WASHER	M 8 DIN 125	1
58	31786	LOCKWASHER	M 8 DIN 127	1
59	31817	CAPSCREW	M 8 X 105 DIN 931	1
60	24735	SPACER		1
61	24334	HOSE	THERMOSTAT TO MANIFOLD	1
62- 1	19324	PLUG		1
62- 2		LOC-TITE	ANTI-SEIZE MUST BE USED ON THREADS	
63	31760	NUT	5/16NF	8
64	31758	LOCKWASHER	5/16	8
65	33852	FLANGE	MANIFOLD END-FRONT	1
66	34017	GASKET	MANIFOLD END	2
67	11263	STUD		8
68	34424	NIPPLE		1
69		SCREW	8-32 X 1/4 OVAL HEAD SS	2
70	35411	NAMEPLATE		1
71	31759	WASHER	5/16	2
72	31758	LOCKWASHER	5/16	2
73	31556	CAPSCREW	5/16NC X 1-1/4	2
74	33856	FLANGE	MANIFOLD END-REAR	1
75- 1	20439	NIPPLE	1.5NPT CLOSE	1
75- 2		LOC-TITE	ANTI-SEIZE MUST BE USED ON THREADS	
76	33067	ELBOW	WATER INJECTED 90 DEGREE	1
77	32230	NIPPLE	HOSE	1
78	34486	ELBOW	WATER INJECTED 45 DEGREE	1
79	30183	ELBOW	HOSE	1
80	35747	PLUG		1
81	24977	KIT	COOLANT RECOVERY TANK	1
82	24637	TUBING	INCHES REQUIRED	30
83	24906	CLAMP	HOSE	2
84	24858	CAP	COOLANT RECOVERY TANK	1
85	24704	TANK	COOLANT RECOVERY	1
86	24786	STRAP	TANK MOUNTING	1



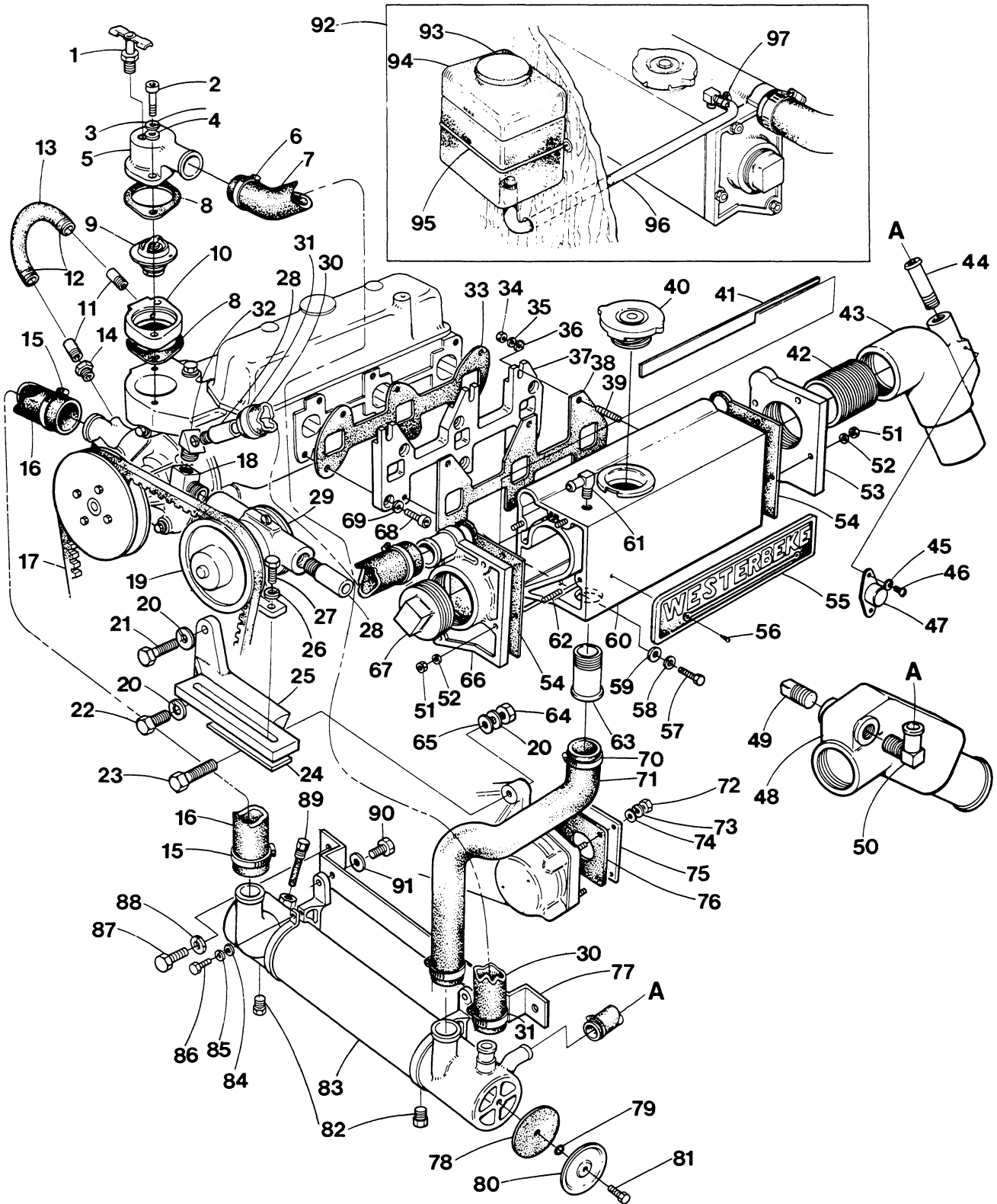
WESTERBEKE 18-21A-27A-33A - COOLING SYSTEM

REF	PN	NAME	REMARKS	QUAN
1	11471	PETCOCK		1
2	31259	CAPSCREW	M8 X 45 DIN 912	2
3	31786	LOCKWASHER	M8 DIN 127	2
4	31787	WASHER	M8 DIN 125	2
5	34416	HOUSING	THERMOSTAT	1
6	34196	GASKET	THERMOSTAT HOUSING	2
7	24688	THERMOSTAT		1
8	33926	BRACKET	ALTERNATOR	1
9	21878	CLAMP	HOSE 20	2
10	24334	HOSE	ELBOW-THERMOSTAT TO MANIFOLD	1
11- 1	34246	GASKET	ADAPTER TO HEAD-W18-21A	1
11- 2	34657	GASKET	ADAPTER TO HEAD-W27A	1
11- 3	34721	GASKET	ADAPTER TO HEAD-W33A	1
12- 1	31760	NUT	5/16NF-W18-21A	3
12- 2	31760	NUT	5/16NF-W27A-33A	4
13- 1	31758	LOCKWASHER	5/16-W18-21A	3
13- 2	31758	LOCKWASHER	5/16-W27A-33A	4
14- 1	31759	WASHER	FLAT 5/16-W18-21A	3
14- 2	31759	WASHER	FLAT 5/16-W27A-33A	4
15- 1	33848	ADAPTER	MANIFOLD TO HEAD-W18-21A	1
15- 2	34542	ADAPTER	MANIFOLD TO HEAD-W27A	1
15- 3	34558	ADAPTER	MANIFOLD TO HEAD-W33A	1
16- 1	34020	GASKET	MANIFOLD TO ADAPTER-W18-21A	1
16- 2	34554	GASKET	MANIFOLD TO ADAPTER-W27A	1
16- 3	34555	GASKET	MANIFOLD TO ADAPTER-W33A	1
17- 1	34685	STUD	W18-21A	3
17- 2	34685	STUD	W27A-33A	4
18	24306	CAP	PRESSURE	1
19		BAFFLE	INCLUDED IN REF 20	1
20- 1	33952	MANIFOLD	EXHAUST ASSEMBLY-W18-21A	1
20- 2	34531	MANIFOLD	EXHAUST ASSEMBLY-W27A	1
20- 3	34539	MANIFOLD	EXHAUST ASSEMBLY-W33A	1
21	34017	GASKET	MANIFOLD END	2
22	33854	FLANGE	MANIFOLD END-REAR	1
23- 1	24141	NIPPLE	1.5NPT X 3-ELBOW 15985	1
23- 2	20439	NIPPLE	1.5NPT CLOSE-ELBOW 34486	1
24	15985	ELBOW	WATER INJECTED EXHAUST	1
25	32230	NIPPLE	HOSE	1
26- 1	34404	HOSE	EXCHANGER TO PUMP-W18-21A	1
26- 2	34684	HOSE	EXCHANGER TO PUMP-W27A-33A	1
27	21878	CLAMP	HOSE 20	2
28	11885	ZINC		1
29	11471	PETCOCK		1
30	31506	CAPSCREW	1/4NC X 1-1/4	2
31	31752	LOCKWASHER	1/4	2
32	31753	WASHER	FLAT 1/4	2
33	34422	BRACKET	FUEL LIFT PUMP AND FILTER	1
34	34787	EXCHANGER	HEAT	1
35	22851	GASKET	EXCHANGER END COVER	2
36	19321	O-RING	EXCHANGER END COVER	2
37	22850	COVER	EXCHANGER END	2
38	22852	CAPSCREW	3/8NC X 1/2 BRASS	2

WESTERBEKE 18-21A-27A-33A - COOLING SYSTEM

REF	PN	NAME	REMARKS	QUAN
39	11386	CLAMP	HOSE 12	2
40	30166	HOSE	PUMP TO EXCHANGER	1
41	34712	NIPPLE	HOSE	1
42	33636	PUMP	SEA WATER	1
43	34710	ELBOW	HOSE	1
44	30326	GASKET	SEA WATER PUMP TO TIMING CASE	1
45	15828	STUD	M8 X 22 DIN 939	4
46	31787	WASHER	M8 DIN 125	4
47	31786	LOCKWASHER	M8 DIN 127	4
48	18242	NUT	M8 DIN 934	4
49	24304	HOSE	OFFSET	1
50	21878	CLAMP	HOSE 20	2
51	30165	SPRING	FLOWCONTROL	1
52	34432	HOUSING	FLOWCONTROL	1
53	11386	CLAMP	HOSE 12	2
54	30962	RETURNBEND	HOSE-WHEN HEATER NOT INSTALLED	1
55- 1	24974	HOSE	1-3/8 WIRE INSERTED-INCHES REQD-W18-21A	3
55- 2	24974	HOSE	1-3/8 WIRE INSERTED-INCHES REQD-W27A-33A	8
56	21878	CLAMP	HOSE 20	2
57	35411	NAMEPLATE		1
58	24907	ELBOW	MANIFOLD TO RECOVERY TANK HOSE	1
59		SCREW	8-32 X 1/4 OVAL HEAD SS	2
60- 1	31555	CAPSCREW	5/16NC X 1-W18-21A	3
60- 2	31555	CAPSCREW	5/16NC X 1-W27A-33A	4
61- 1	31758	LOCKWASHER	5/16-W18-21A	3
61- 2	31758	LOCKWASHER	5/16-W27A-33A	4
62- 1	31759	WASHER	FLAT 5/16-W18-21A	3
62- 2	31759	WASHER	FLAT 5/16-W27A-33A	4
63	34424	NIPPLE	HOSE	1
64	11263	STUD	MANIFOLD END	8
65	33850	FLANGE	MANIFOLD END-FRONT	1
66	31758	LOCKWASHER	5/16	8
67	31760	NUT	5/16NF	8
68- 1	19324	PLUG	UNUSED EXHAUST OUTLET	1
68- 2		LOC-TITE	ANTI-SEIZE MUST BE USED ON THREADS	
69- 1	17196	CAPSCREW	M8 X 20 DIN 933-W18-21A	6
69- 2	17196	CAPSCREW	M8 X 20 DIN 933-W27A	8
69- 3	24951	CAPSCREW	M10 X 1.25 X 20 DIN 961-W33A	6
70- 1	31786	LOCKWASHER	M 8 DIN 127-W18-21A	6
70- 2	31786	LOCKWASHER	M 8 DIN 127-W27A	8
70- 3	19262	LOCKWASHER	M10 DIN 127-W33A	6
71- 1	30475	BELT	W18-21A-27A	1
71- 2	35299	BELT	W33A	1
72	24977	KIT	COOLANT RECOVERY TANK	1
73	24858	CAP	COOLANT RECOVERY TANK	1
74	24704	TANK	COOLANT RECOVERY	1
75	24786	STRAP	COOLANT RECOVERY TANK MOUNTING	1
76	24637	TUBING	INCHES REQUIRED	30
77	24906	CLAMP	HOSE	2
78	34486	ELBOW	WATER INJECTED 45 DEGREE	1
79	35747	PLUG		1
80	30183	ELBOW	HOSE	1

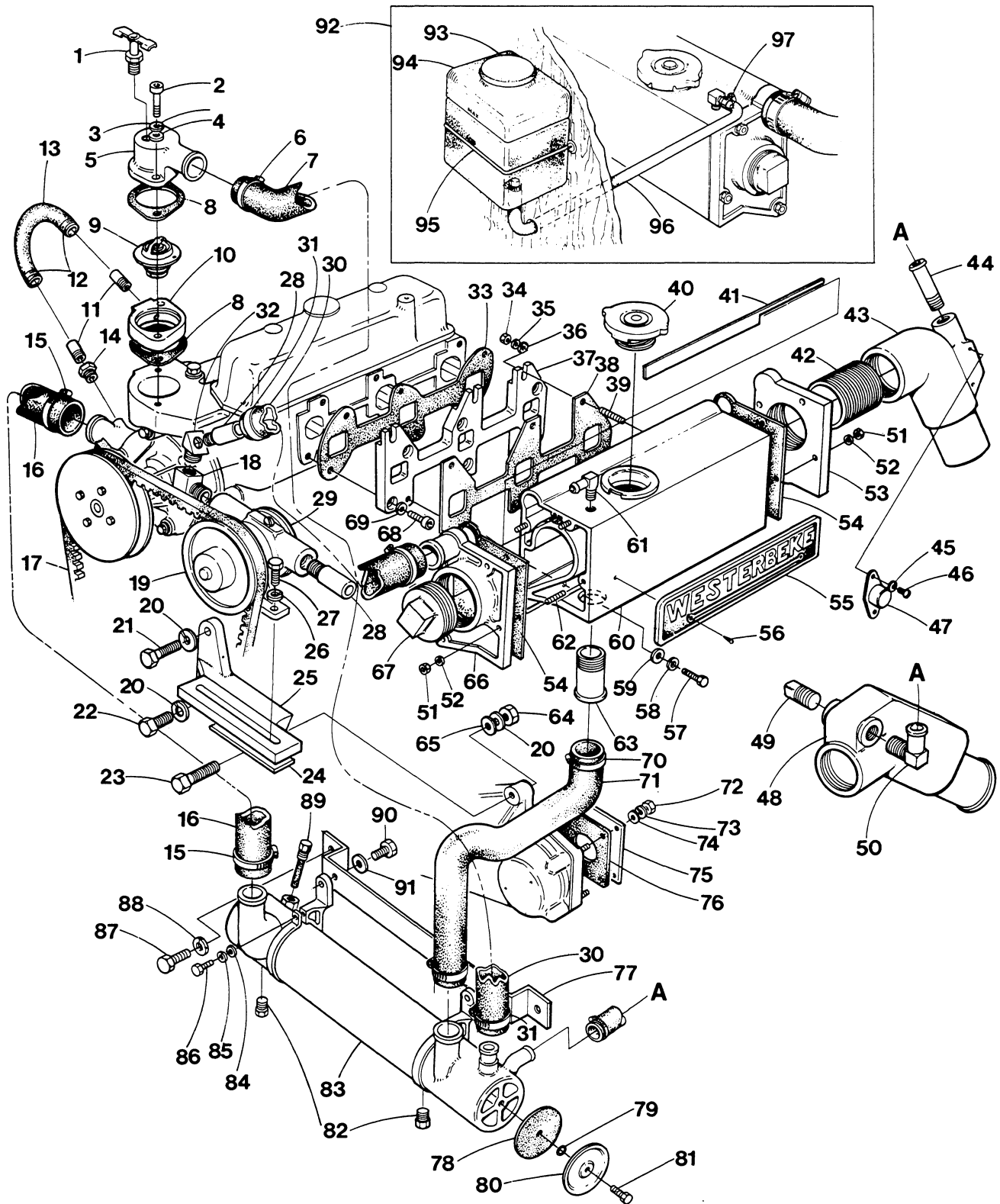
WESTERBEKE 5C-6KW - COOLING SYSTEM



WESTERBEKE BC-6KW - COOLING SYSTEM

REF	PN	NAME	REMARKS	QUAN
1	11471	PETCOCK		1
2	31259	CAPSCREW	M 8 X 45 DIN 912	2
3	31786	LOCKWASHER	M 8 DIN 127	2
4	31787	WASHER	M 8 DIN 125	2
5	34416	HOUSING	THERMOSTAT	1
6	21878	CLAMP	HOSE 20	2
7	24334	HOSE	THERMOSTAT TO MANIFOLD	1
8	34196	GASKET	THERMOSTAT HOUSING	2
9	24688	THERMOSTAT		1
10	35430	SPACER	THERMOSTAT TO HEAD	1
11	16690	NIPPLE	HOSE	2
12	17298	CLAMP	HOSE 6	2
13	32160	HOSE	BY-PASS	1
14	24848	BUSHING	REDUCER	1
15	21878	CLAMP	HOSE 20	2
16	34228	HOSE	EXCHANGER TO FRESH WATER PUMP	1
17	30592	BELT		1
18	13338	ELBOW	3/8NPT 90 STREET	1
19	32616	PULLEY	SEA WATER PUMP	1
20	31786	LOCKWASHER	M 8 DIN 127	3
21	21558	CAPSCREW	M 8 X 35 DIN 933	1
22	31225	CAPSCREW	M 8 X 60 DIN 931	1
23	24949	CAPSCREW	M 8 X 50 DIN 931	1
24	33018	PLATE		1
25	35412	BRACKET	SEA WATER PUMP	1
26- 1	31752	LOCKWASHER	1/4	2
26- 2	31753	WASHER	FLAT 1/4	2
27	31506	CAPSCREW	1/4NC X 1-1/4	2
28	32947	NIPPLE	HOSE	2
29	32617	PUMP	SEA WATER	1
30	19059	HOSE	7/8 WIRE INSERTED-INCHES REQUIRED	17
31	11386	CLAMP	HOSE 12	2
32	13337	ELBOW	3/8NPT 45 STREET	1
33	34246	GASKET	ADAPTER TO HEAD	1
34	31760	NUT	5/16NF	3
35	31758	LOCKWASHER	5/16	3
36	31759	WASHER	FLAT 5/16	3
37	33848	ADAPTER	MANIFOLD TO HEAD	1
38	34020	GASKET	MANIFOLD TO ADAPTER	1
39	34685	STUD		3
40	24306	CAP	PRESSURE	1
41		BAFFLE	INCLUDED IN MANIFOLD	1
42- 1	20439	NIPPLE	1.5NPT CLOSE	1
42- 2		LOC-TITE	ANTI-SEIZE MUST BE USED ON THREADS	
43	33067	ELBOW	WATER INJECTED 90 DEGREE	1
44	32230	NIPPLE	HOSE	1
45- 1	31845	LOCKWASHER	NO 8-ELBOW 33067	2
45- 2	31840	LOCKWASHER	NO 6-ELBOW 34486	2
46- 1	31861	SCREW	8-32 X 1/4 BINDING HEAD SS-ELBOW 33067	2
46- 2	35711	SCREW	6-20 X 1/4 TAPPING-ELBOW 34486	2
47- 1	32923	SWITCH	EXHAUST TEMPERATURE	1
47- 2		NOTE	THERMAL JOINING COMPOUND MUST BE USED FOR PROPER OPERATION	

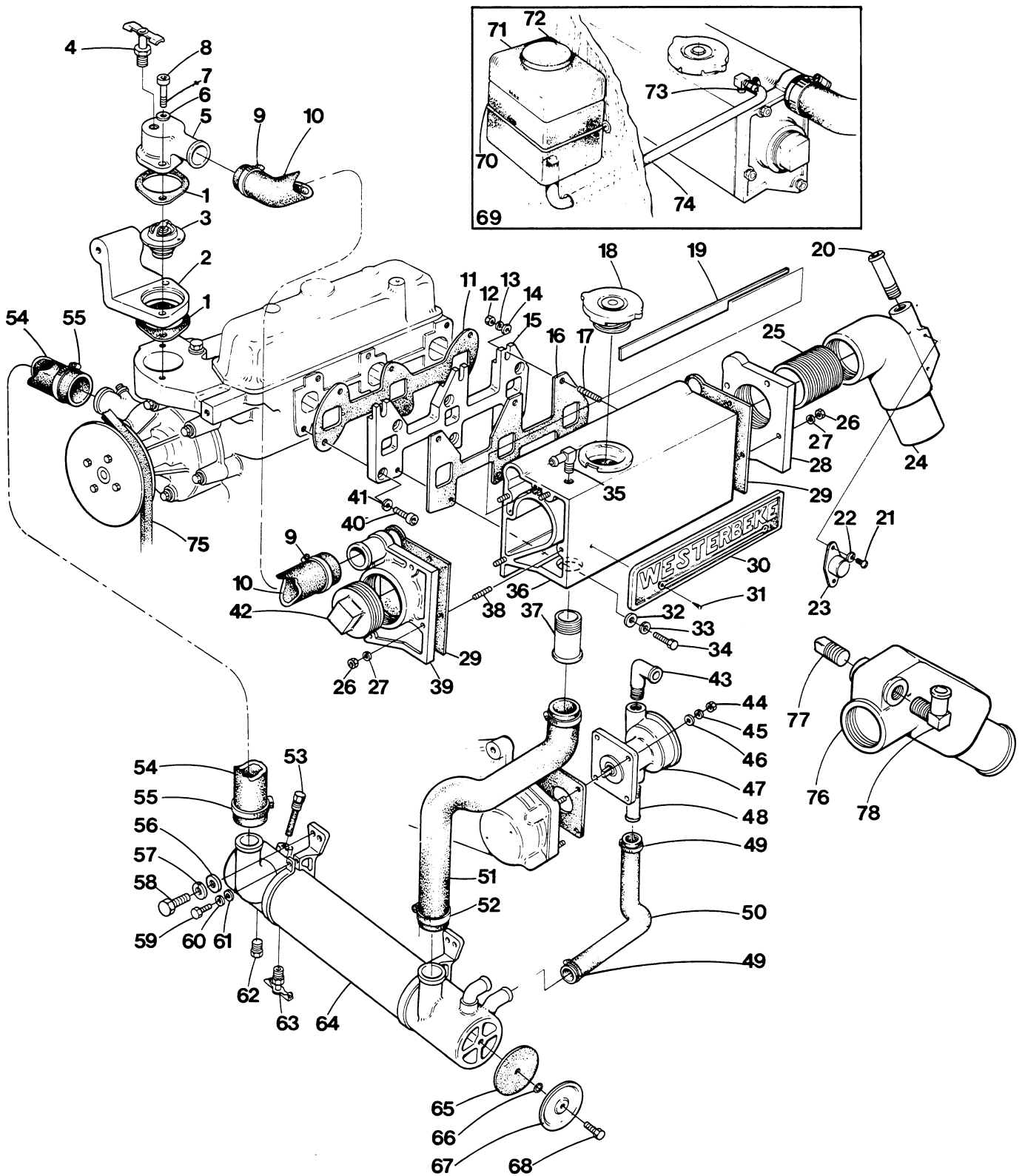
WESTERBEKE BC-6KW - COOLING SYSTEM



WESTERBEKE BC-6KW - COOLING SYSTEM

REF	P N	NAME	REMARKS	QUAN
48	34486	ELBOW	WATER INJECTED 45 DEGREE	1
49	35747	PLUG		1
50	30183	ELBOW	HOSE	1
51	31760	NUT	5/16NF	8
52	31758	LOCKWASHER	5/16	8
53	33854	FLANGE	MANIFOLD END-REAR	1
54	34017	GASKET	MANIFOLD END	2
55	35411	NAMEPLATE		1
56		SCREW	8-32 X 1/4 OVAL HEAD SS	2
57	31555	CAPSCREW	5/16NC X 1	3
58	31758	LOCKWASHER	5/16	3
59	31759	WASHER	FLAT 5/16	3
60	33952	MANIFOLD	EXHAUST ASSEMBLY	1
61	24907	ELBOW	MANIFOLD TO RECOVERY TANK HOSE	1
62	11263	STUD	MANIFOLD END	8
63	34424	NIPPLE	HOSE	1
64	18242	NUT	M 8 DIN 934	1
65	31787	WASHER	M 8 DIN 125	1
66	33850	FLANGE	MANIFOLD END-FRONT	1
67- 1	19324	PLUG		1
67- 2		LOC-TITE	ANTI-SEIZE MUST BE USED ON THREADS	
68	17196	CAPSCREW	M 8 X 20 DIN 933	6
69	31786	LOCKWASHER	M 8 DIN 127	6
70	21878	CLAMP	HOSE 20	2
71	34203	HOSE	MANIFOLD TO EXCHANGER	1
72	18242	NUT	M 8 DIN 934	4
73	31786	LOCKWASHER	M 8 DIN 127	4
74	31787	WASHER	M 8 DIN 125	4
75	30203	PLATE		1
76	30326	GASKET		1
77	35763	BRACKET	EXCHANGER TO BLOCK	1
78	33298	GASKET	EXCHANGER END	
79	19321	O-RING		
80	33297	COVER	EXCHANGER END	1
81	33402	CAPSCREW	5/16NC X 1/2 BRASS	1
82	19369	PLUG	1/8NPT	2
83	35298	EXCHANGER	HEAT	1
84	31753	WASHER	FLAT	2
85	31752	LOCKWASHER	1/4	2
86	31506	CAPSCREW	1/4NC X 1-1/4	2
87	31223	CAPSCREW	M14 X 1.5 X 30 DIN 961	2
88	31797	LOCKWASHER	M14 DIN 127	2
89	11885	ZINC		1
90	31553	CAPSCREW	5/16NC X 3/4	2
91	31758	LOCKWASHER	5/16	2
92	24977	KIT	COOLANT RECOVERY TANK	1
93	24858	CAP	COOLANT RECOVERY TANK	1
94	24704	TANK	COOLANT RECOVERY	1
95	24786	STRAP	TANK MOUNTING	1
96	24637	TUBING	INCHES REQUIRED	30
97	24906	CLAMP	HOSE	2

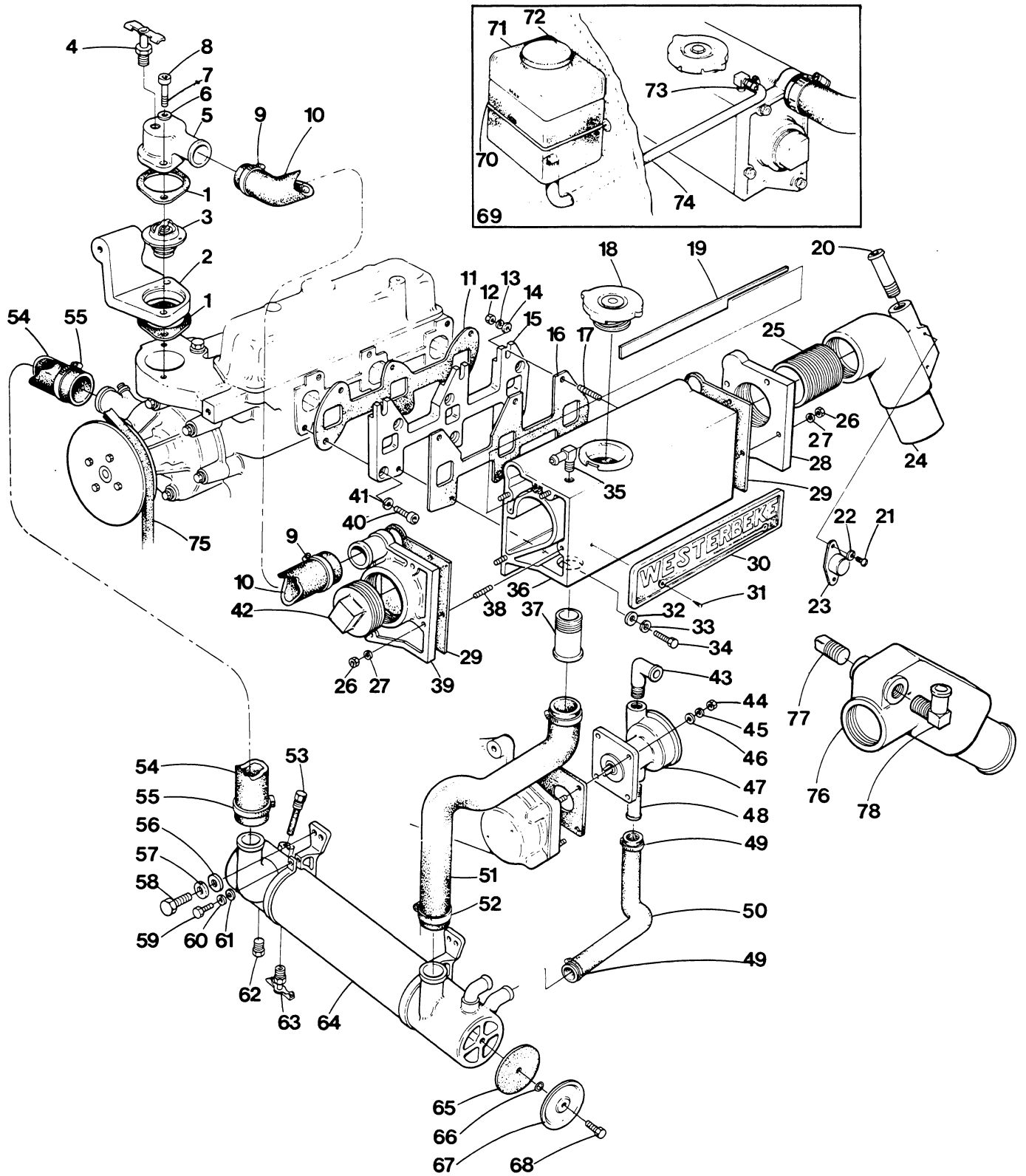
WESTERBEKE BT-8KW - COOLING SYSTEM



WESTERBEKE BT-8KW - COOLING SYSTEM

REF	P N	NAME	REMARKS	QUAN
1	34196	GASKET	THERMOSTAT HOUSING	2
2	33926	BRACKET	ALTERNATOR	1
3	24688	THERMOSTAT		1
4	11471	PETCOCK		1
5	34416	HOUSING	THERMOSTAT	1
6	31787	WASHER	M8 DIN 125	2
7	31786	LOCKWASHER	M8 DIN 127	2
8	31259	CAPSCREW	M8 X 45 DIN 912	2
9	21878	CLAMP	HOSE 20	2
10	24334	HOSE	ELBOW-THERMOSTAT TO MANIFOLD	1
11	34246	GASKET	ADAPTER TO HEAD	1
12	31760	NUT	5/16NF	3
13	31758	LOCKWASHER	5/16	3
14	31759	WASHER	FLAT 5/16	3
15	33848	ADAPTER	MANIFOLD TO HEAD	1
16	34020	GASKET	MANIFOLD TO ADAPTER	1
17	34685	STUD		3
18	24306	CAP	PRESSURE	1
19		BAFFLE	INCLUDED IN REF 36	1
20	32230	NIPPLE	HOSE	1
21- 1	31861	SCREW	8-32 X 1/4 BINDING HEAD-ELBOW 33067	2
21- 2	35711	SCREW	6-20 X 1/4 TAPPING-ELBOW 34486	2
22- 1	31845	LOCKWASHER	NO 8-INTERNAL TOOTH-ELBOW 33067	2
22- 2	31840	LOCKWASHER	NO 6-INTERNAL TOOTH-ELBOW 34486	2
23- 1	32923	SWITCH	EXHAUST TEMPERATURE-GENSET SAFETY	1
23- 2		NOTE	THERMALCOTE THERMAL JOINING COMPOUND MUST BE USED BETWEEN SWITCH AND ELBOW FOR PROPER THERMAL TRANSFER TO OPERATE	
24	33067	ELBOW	WATER INJECTED EXHAUST	1
25- 1	20439	NIPPLE	1.5NPT CLOSE	1
25- 2		LOC-TITE	ANTI-SEIZE MUST BE USED ON THREADS	
26	31760	NUT	5/16NF	8
27	31758	LOCKWASHER	5/16	8
28	33854	FLANGE	MANIFOLD END-REAR	1
29	34017	GASKET	MANIFOLD END	2
30	35411	NAMEPLATE		1
31		SCREW	6-32 X 1/4 OVAL HEAD SS	2
32	31759	WASHER	FLAT 5/16	3
33	31758	LOCKWASHER	5/16	3
34	31555	CAPSCREW	5/16NC X 1	3
35	24907	ELBOW	MANIFOLD TO RECOVERY TANK HOSE	1
36	33952	MANIFOLD	EXHAUST ASSEMBLY	1
37	34424	NIPPLE	HOSE	1
38	11263	STUD	MANIFOLD END	8
39	33850	FLANGE	MANIFOLD END-FRONT	1
40	17196	CAPSCREW	M8 X 20 DIN 933	6
41	31786	LOCKWASHER	M8 DIN 127	6
42- 1	19324	PLUG	UNUSED EXHAUST OUTLET	1
42- 2		LOC-TITE	ANTI-SEIZE MUST BE USED ON THREADS	

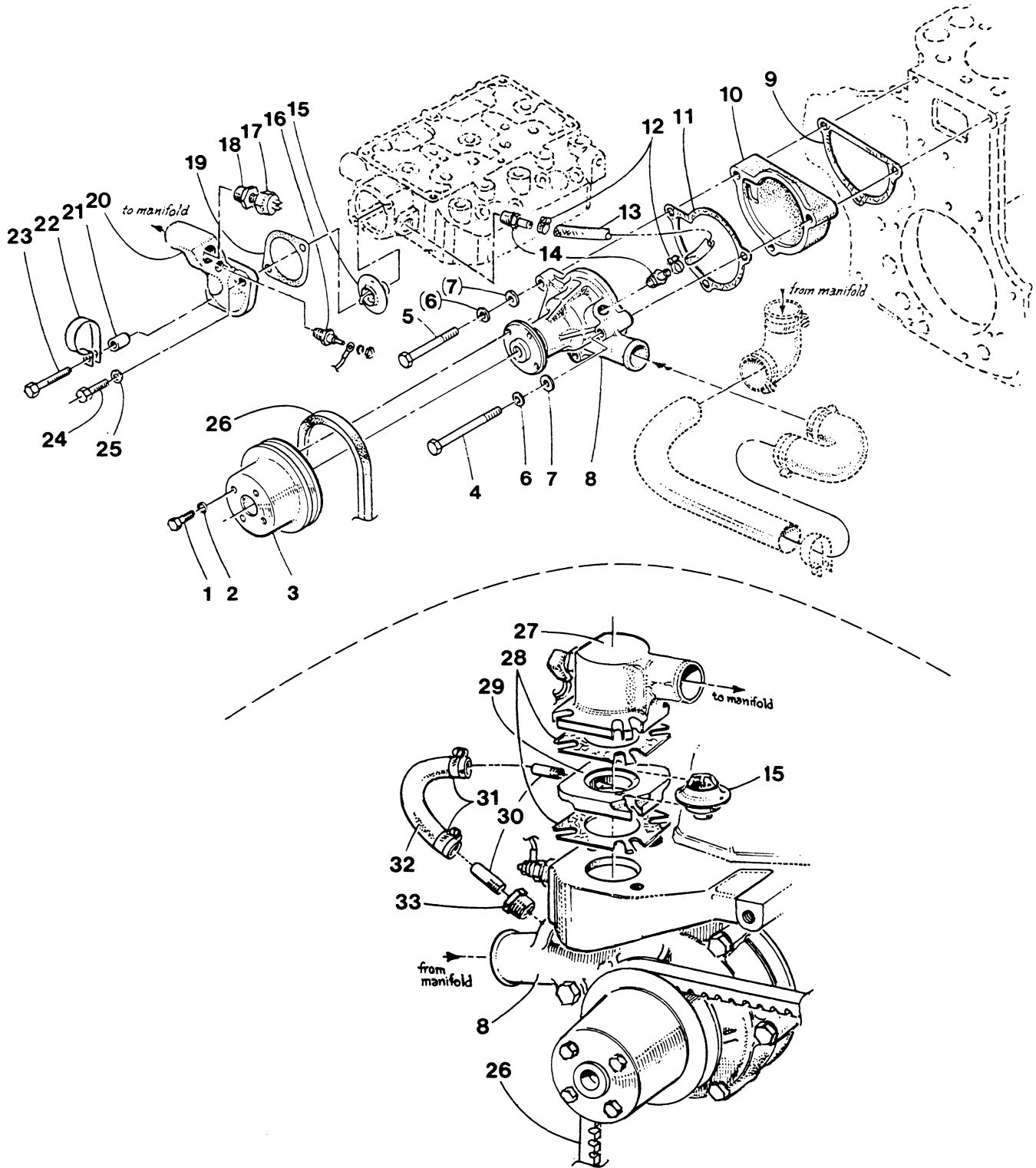
WESTERBEKE BT-8KW - COOLING SYSTEM



WESTERBEKE BT-8KW - COOLING SYSTEM

REF	PN	NAME	REMARKS	QUAN
43	34710	ELBOW	HOSE	1
44	18242	NUT	M8 DIN 934	4
45	31786	LOCKWASHER	M8 DIN 127	4
46	31787	WASHER	M8 DIN 125	4
47	33636	PUMP	SEA WATER	1
48	34712	NIPPLE	HOSE	1
49	11386	CLAMP	HOSE 12	2
50	30166	HOSE	PUMP TO EXCHANGER	1
51	34203	HOSE	MANIFOLD TO EXCHANGER	1
52	21878	CLAMP	HOSE 20	2
53	11885	ZINC		1
54	34228	HOSE	EXCHANGER TO PUMP	1
55	21878	CLAMP	HOSE 20	2
56	31798	WASHER	M14 DIN 125	2
57	31797	LOCKWASHER	M14 DIN 127	2
58	31223	CAPSCREW	M14 X 1.5 X 30 DIN 961	2
59	31506	CAPSCREW	1/4NC X 1-1/4	2
60	31752	LOCKWASHER	1/4	2
61	31753	WASHER	FLAT 1/4	2
62	19369	PLUG	1/8NPT BRASS	1
63	11471	PETCOCK		1
64	35135	EXCHANGER	HEAT	1
65	22851	GASKET	EXCHANGER END COVER	2
66	19321	O-RING	EXCHANGER END COVER	2
67	22850	COVER	EXCHANGER END	2
68	22852	CAPSCREW	3/8NC X 1/2 BRASS	2
69	24977	KIT	COOLANT RECOVERY TANK	1
70	24786	STRAP	COOLANT RECOVERY TANK MOUNTING	1
71	24704	TANK	COOLANT RECOVERY	1
72	24858	CAP	COOLANT RECOVERY TANK	1
73	24906	CLAMP	HOSE	2
74	24637	TUBING	INCHES REQUIRED	30
75	30475	BELT		1
76	34486	ELBOW	WATER INJECTED 45 DEGREE	1
77	35747	PLUG		1
78	30183	ELBOW	HOSE	1

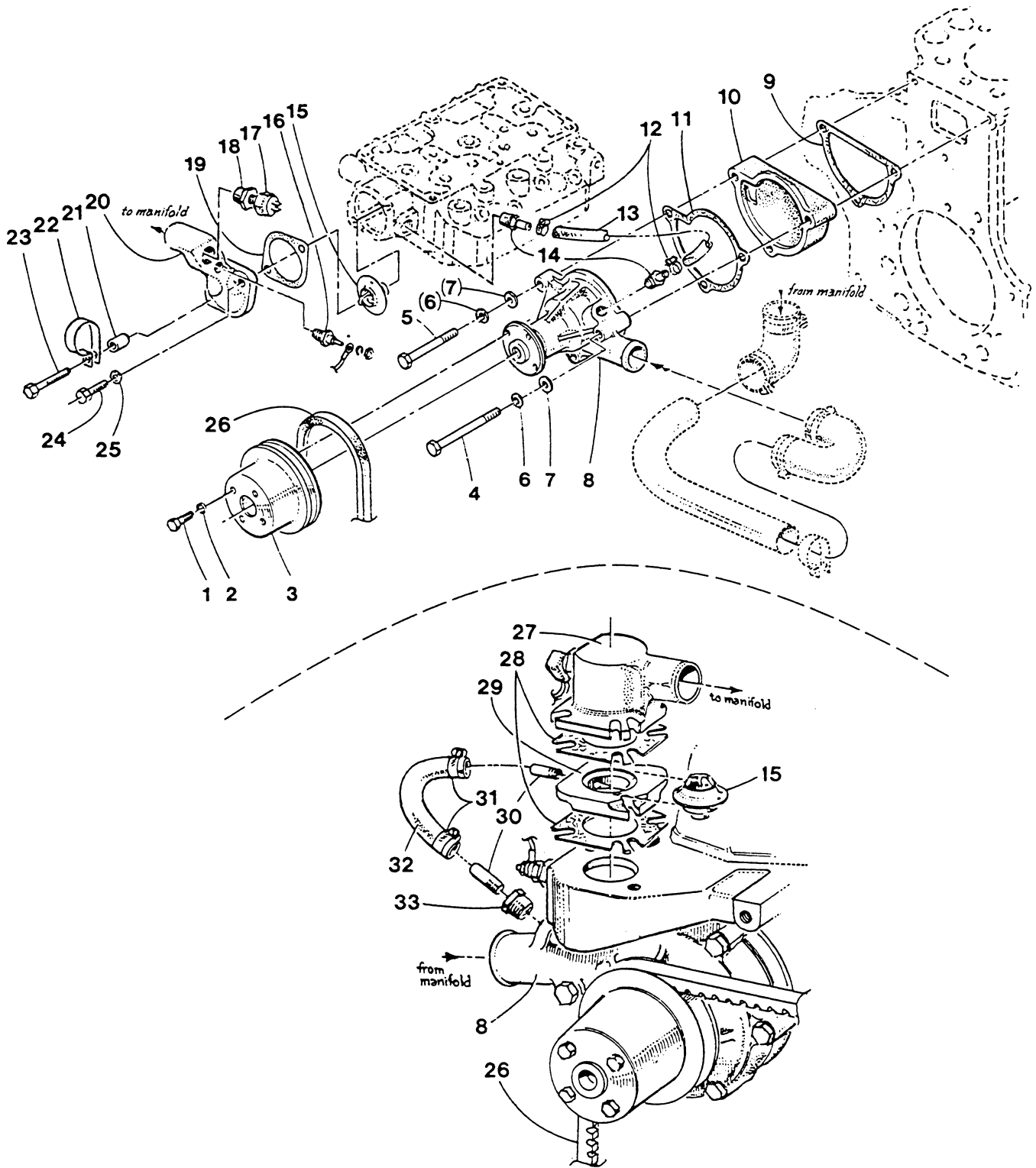
WESTEREEKE 13-19-21-27-33 - FRESH WATER PUMP



WESTERBEKE 13-18-21-27-33 - FRESH WATER PUMP

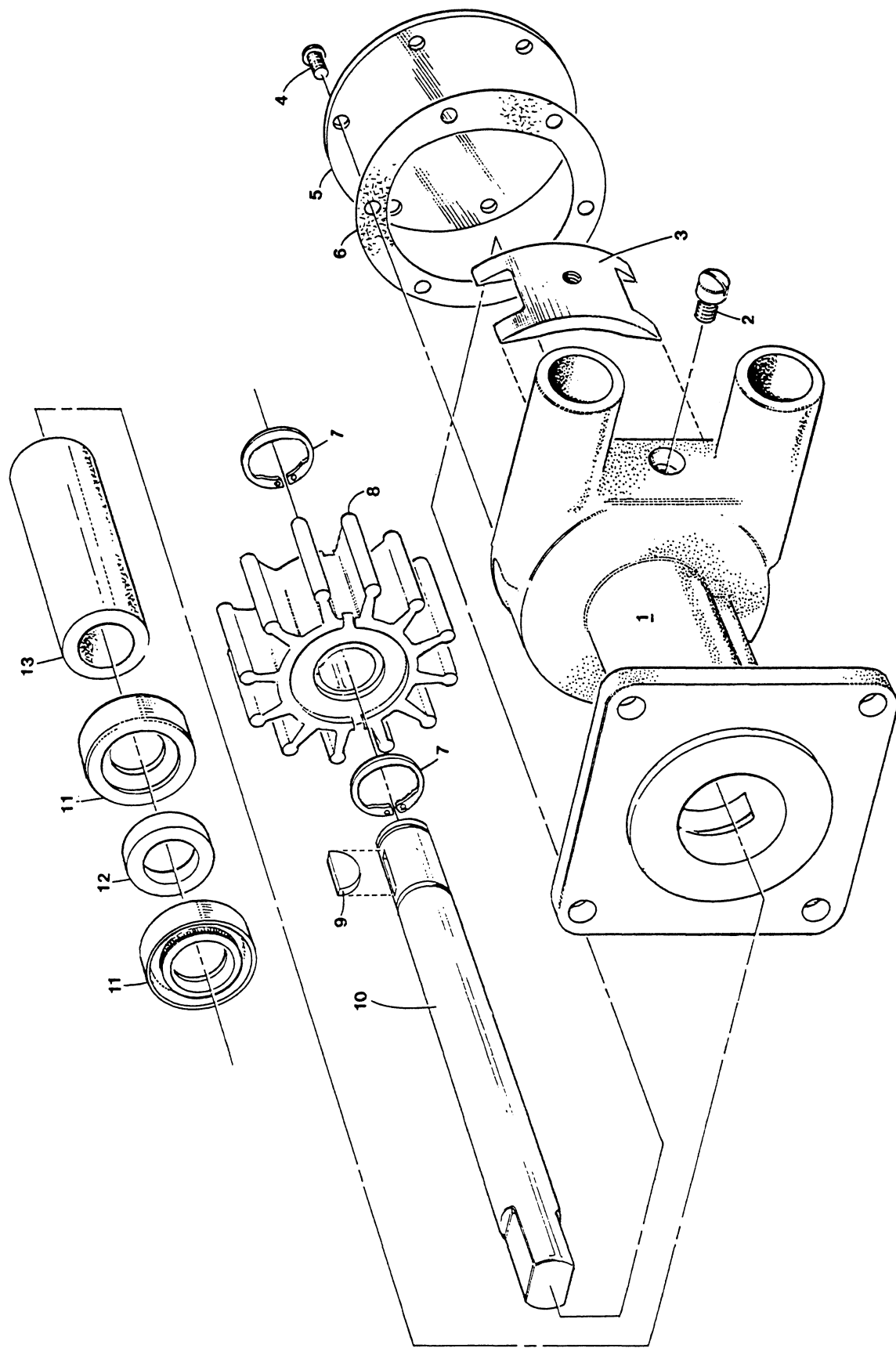
REF	PN	NAME	REMARKS	QUAN
1-1	031825	CAPSCREW	M 6 X 12 DIN 933 W13-21-27-33	4
1-2	017012	CAPSCREW	M 6 X 16 DIN 933 W18-21A-27A-33A	4
2-1	031783	LOCKWASHER	M 6 DIN 127	4
2-2	031784	WASHER	M 6 DIN 125	4
3-1	030222	PULLEY	FRESH WATER PUMP W13-13A-21-27	1
3-2	030386	PULLEY	FRESH WATER PUMP W33	1
3-3	033922	PULLEY	FRESH WATER PUMP W18-21A-27A	1
3-4	034718	PULLEY	FRESH WATER PUMP W33A	1
4-1	031814	CAPSCREW	M 8 X 85 DIN 931 W13	1
4-2	031225	CAPSCREW	M 8 X 60 DIN 931 W21-27-33	1
5-1	031812	CAPSCREW	M 8 X 65 DIN 931 W13	2
5-2	024948	CAPSCREW	M 8 X 45 DIN 931 W18-21-27-33	3
6-1	031786	LOCKWASHER	M 8 DIN 127 W13	3
6-2	031786	LOCKWASHER	M 8 DIN 127 W18-21-27-33	4
7-1	031787	WASHER	M 8 DIN 125 W13	3
7-2	031787	WASHER	M 8 DIN 125	4
8-1	030379	PUMP	FRESH WATER W13	1
8-2	030591	PUMP	FRESH WATER W18-21-27	1
8-3	030473	PUMP	FRESH WATER W33	1
9	030380	GASKET	ADAPTER TO BLOCK W13	1
10	030377	ADAPTER	WATER PUMP TO BLOCK W13	1
11-1	030378	GASKET	WATER PUMP TO ADAPTER W13	1
11-2	030474	GASKET	WATER PUMP TO BLOCK W18-21-27-33	1
12	024906	CLAMP	HOSE	2
13	032179	HOSE	BY-PASS	1
14	032180	CONNECTOR	3/8-19BSPT TO HOSE	2
15	024688	THERMOSTAT		1
16	035109	SENDER	WATER TEMPERATURE	1
17-1	030125	SWITCH	WATER TEMPERATURE MARINE ALARM	1
17-2	030096	SWITCH	WATER TEMPERATURE GENSET SAFETY	1
18-1	037453	BUSHING	REDUCER 1/4 NPT TO 1/8 NPT W13-13A	1
18-2	032119	BUSHING	REDUCER 1/2NPT TO 1/8NPT W13	1
18-3	013443	BUSHING	REDUCER 1/2NPT TO 1/4NPT 4.4KW	1
19	024323	GASKET	THERMOSTAT HOUSING W13	1
20	024988	HOUSING	THERMOSTAT W13	1
21	024735	SPACER	CLAMP TO HOUSING W13	1
22	012292	CLAMP	SUPPORT TUBE W13	1
23-1	024949	CAPSCREW	M 8 X 50 DIN 931 W13	1
23-2	031811	CAPSCREW	M 8 X 55 DIN 931 4.4KW	1
24	013630	CAPSCREW	M 8 X 25 DIN 933 W13	1
25	031786	LOCKWASHER	M 8 DIN 127 W13	2
26-1	030376	BELT	FRESH WATER PUMP AND ALTERNATOR W13	1
26-2	030592	BELT	FRESH WATER PUMP AND ALTERNATOR W21-27	1
26-3	030475	BELT	FRESH WATER PUMP AND ALTNR W18-21A-27A	1
26-4	030475	BELT	FRESH WATER PUMP AND ALTERNATOR W33	1
26-5	035299	BELT	FRESH WATER PUMP AND ALTERNATOR W33A	1

WESTERBEKE 13-1F-21-27-33 - FRESH WATER PUMP



WESTERBEKE 13-18-21-27-33 - FRESH WATER PUMP

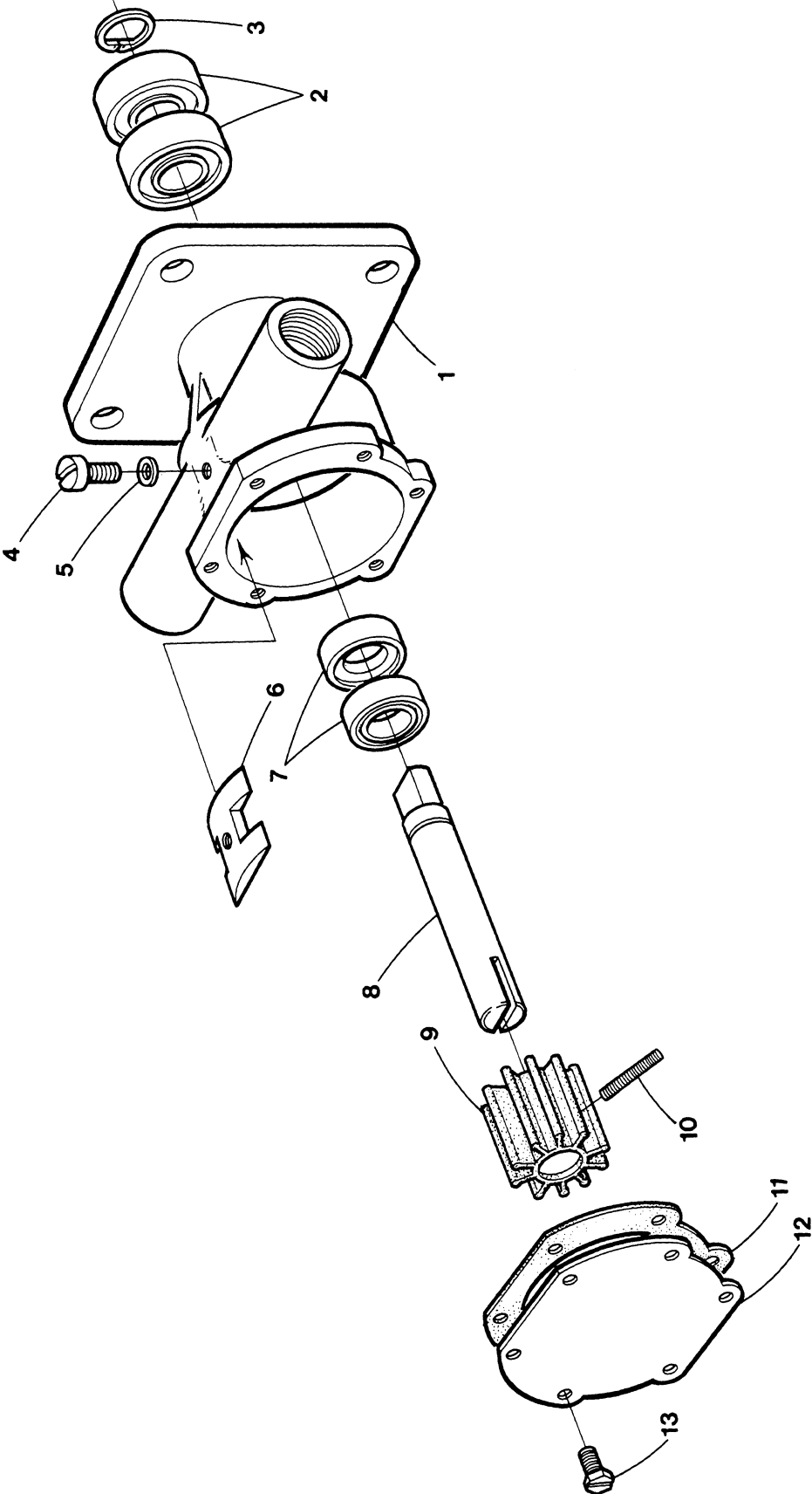
REF	PN	NAME	REMARKS	QUAN
27-1	024258	HOUSING	THERMOSTAT W21-27-33	1
27-2	034416	HOUSING	THERMOSTAT W18-21A-27A-33A	1
28-1	024323	GASKET	THERMOSTAT HOUSING W21-27-33	2
28-2	034196	GASKET	THERMOSTAT HOUSING W18-21A-27A-33A	2
29-1	024846	ADAPTER	THERMOSTAT W21-27-33	1
29-2	033926	ADAPTER	THERMOSTAT W18-21A-27A-33A	1
30	016690	NIPPLE	HOSE W21-27-33	2
31	017298	CLAMP	HOSE W21-27-33	2
32	031173	HOSE	BY-PASS W21-27-33 INCHES REQUIRED	5
33-1	024848	BUSHING	REDUCER 3/8-19BSPT TO 1/8 NPT W21-27-33	1
33-2	024903	PLUG	3/8-19BSPT W18-21A-27A-33A	1



WESTERBEKE 13-21-27-33 - SEA WATER PUMP NUMBER 24143

REF	PN	NAME	REMARKS	QUAN
1- 1	24143	PUMP	COMPLETE	1
1- 2	24822	HOUSING	PUMP BODY WITH BUSHING	1
1- 3	30718	KIT	MAJOR REPAIR	1
2	24647	SCREW	PUMP HOUSING TO CAM	1
3	24824	CAM		1
4	18140	SCREW	BRASS-IMPELLER COVER	6
5	24825	COVER	IMPELLER	1
6	24826	GASKET	IMPELLER COVER TO HOUSING	1
7	31190	RING	RETAINING	2
8	33100	KIT	IMPELLER AND GASKET	1
9	12915	KEY	IMPELLER TO SHAFT	1
10	24823	SHAFT		1
11	24821	SEAL		2
12	18150	SLINGER		1
13	24827	BUSHING	GRAPHITE	1

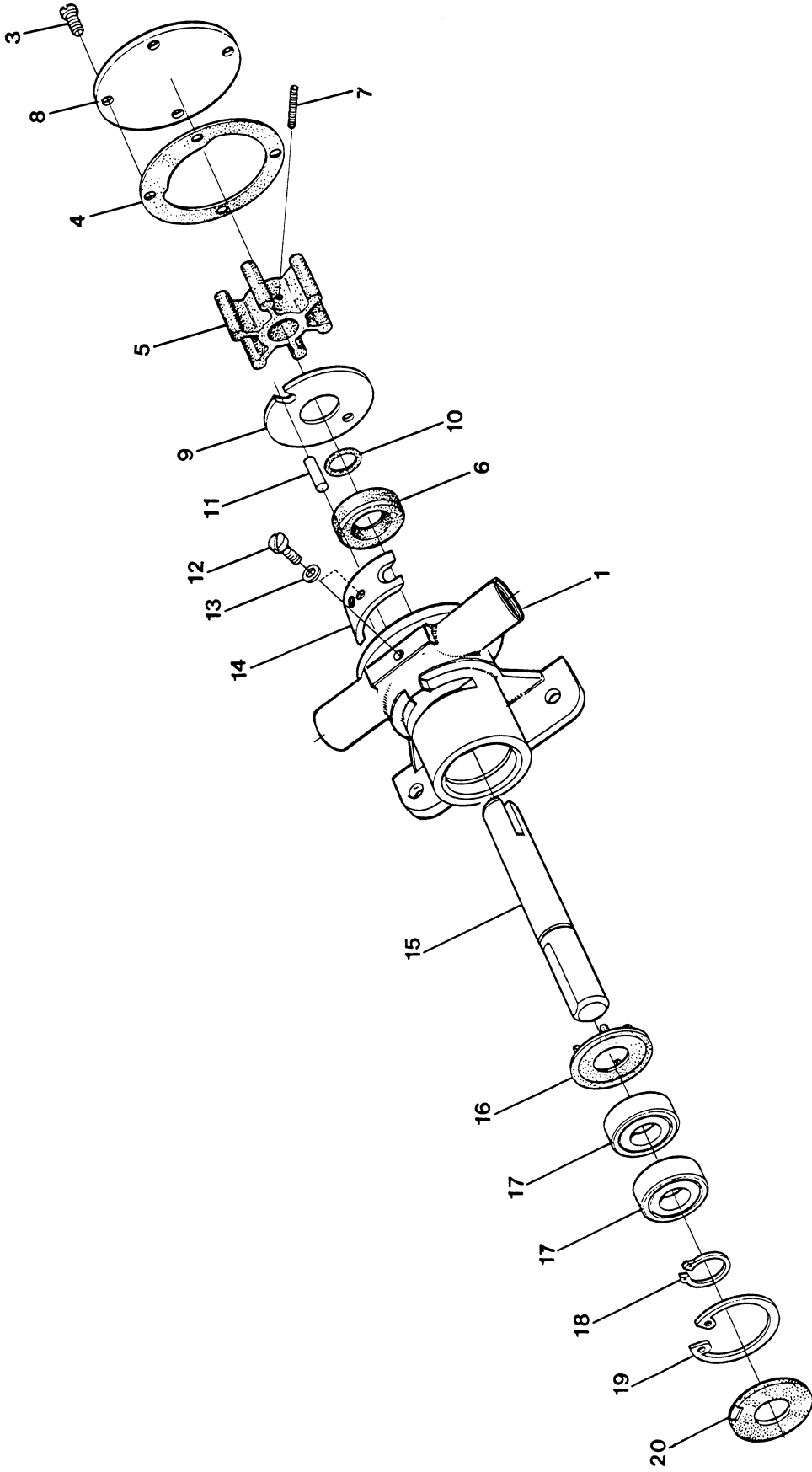
WESTERBEKE 13-18-21-27-33 - SEA WATER PUMP NUMBER 33636



WESTERBEKE 13-18-21-27-33 - SEA WATER PUMP NUMBER 33636

REF	PN	NAME	REMARKS	QUAN
1- 1	33636	PUMP	COMPLETE	1
1- 2	34457	HOUSING	PUMP BODY	1
1- 3	34466	KIT	MAJOR REPAIR	1
2	34464	BEARING		2
3	33044	RING	RETAINING	1
4	34462	SCREW	PUMP HOUSING TO CAM	1
5	33037	WASHER		1
6	34458	CAM		1
7	33043	SEAL		1
8	34460	SHAFT		1
9	34440	KIT	IMPELLER-SCREW-GASKET	1
10		SCREW	IMPELLER-INCLUDED IN REF 9	1
11	34459	GASKET	IMPELLER COVER	1
12	34461	COVER	IMPELLER	1
13	34463	SCREW	IMPELLER COVER	6

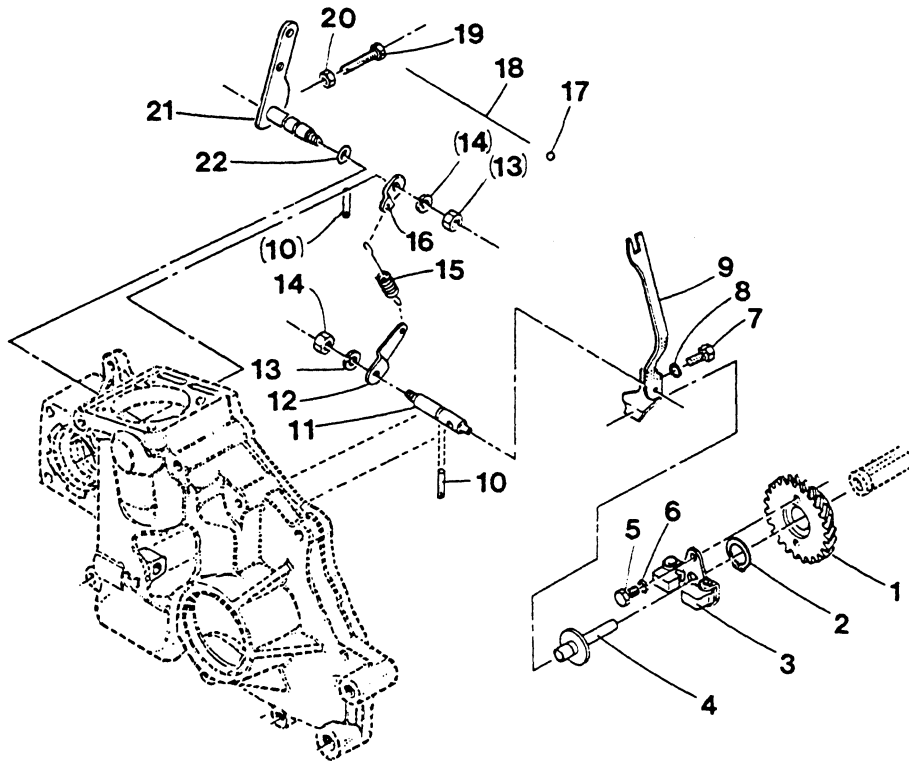
WESTERBEKE 4.4 BDC - 6.0 BCD - SEA WATER PUMP 32617



WESTERBEKE 4.4 BCD - 6.0 BCD - SEA WATER PUMP 32617

REF	PN	NAME	REMARKS	QUAN
1	032617	PUMP	SEA WATER EXCLUDING PULLEY	1
2	032620	KIT	IMPELLER INCL REF 3 THRU 7	1
3	034463	SCREW	COVER	4
4	033032	GASKET	IMPELLER COVER	1
5		IMPELLER	SEE KIT REF 2	1
6	033043	SEAL		1
7		SCREW	IMPELLER SEE KIT REF 2	1
8	032625	COVER	IMPELLER	1
9	033036	PLATE	WEAR	1
10	033041	O-RING		1
11	033030	DOWEL		1
12	033038	SCREW	CAM	1
13	033037	WASHER		1
14	033031	CAM		1
15	033034	COVER	BEARING INNER	1
16	033042	BEARING		2
17	033044	CIRCLIP		1
18	033045	CIRCLIP		1
19	033033	COVER	BEARING OUTER	1
20	032616	PULLEY	SEA WATER PUMP DRIVE	1
21	011357	SETSCREW		1
22	033035	SHAFT		1

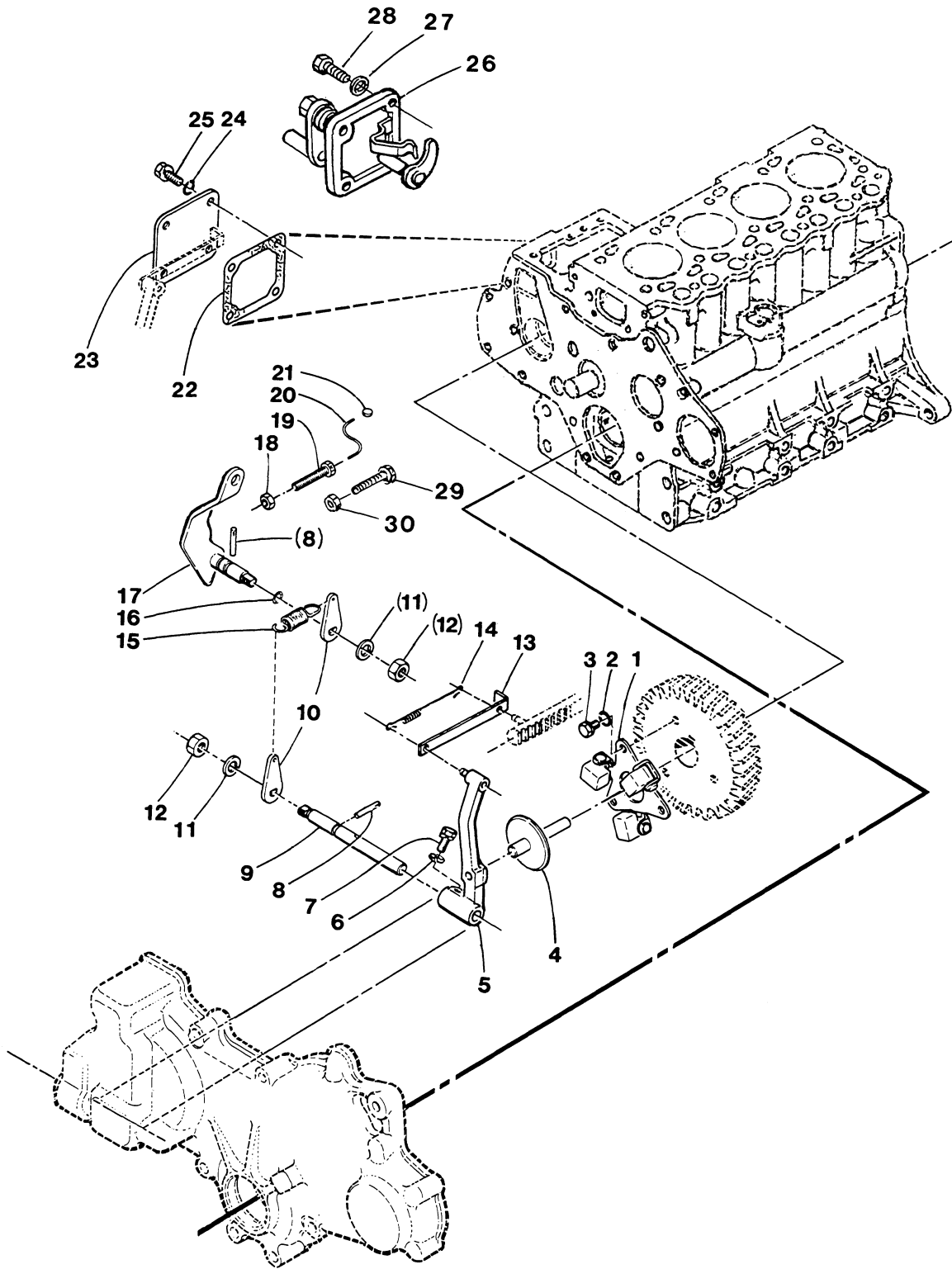
VESTERBEKE 13 - GOVERNOR



WESTERBEKE 13 - GOVERNOR

REF	P N	NAME	REMARKS	QUAN
1	30319	GEAR	GOVERNOR	1
2	30280	SNAPRING		1
3	30317	WEIGHT	ASSEMBLY-GOVERNOR	1
4	30322	SHAFT	ASSEMBLY-SLIDING	1
5	15816	CAPSCREW	M6 X 10	2
6	31783	LOCKWASHER	M6 DIN 127	2
7	31810	CAPSCREW	M6 X 14	1
8	31783	LOCKWASHER	M6 DIN 127	1
9	30370	LEVER	FORK	1
10	30208	PIN	GROOVED	2
11	30320	SHAFT	GOVERNOR	1
12	30371	LEVER	GOVERNOR SPRING	1
13	31786	LOCKWASHER	M8 DIN 127	2
14	31802	NUT	JAM-M8	2
15- 1	30368	SPRING	GOVERNOR-MARINE	1
15- 2	30369	SPRING	GOVERNOR-GENERATOR	1
16	30321	LEVER	GOVERNOR SPRING	1
17	30292	SEAL	LEAD	1
18	30293	WIRE	SEAL HIGH SPEED BOLT	1
19	30323	BOLT	HIGH SPEED SET-DO NOT USE ON GENSET	1
20	15812	NUT	M6 DIN 934	1
21	30372	LEVER	SPEED CONTROL	1
22	30277	O-RING		1

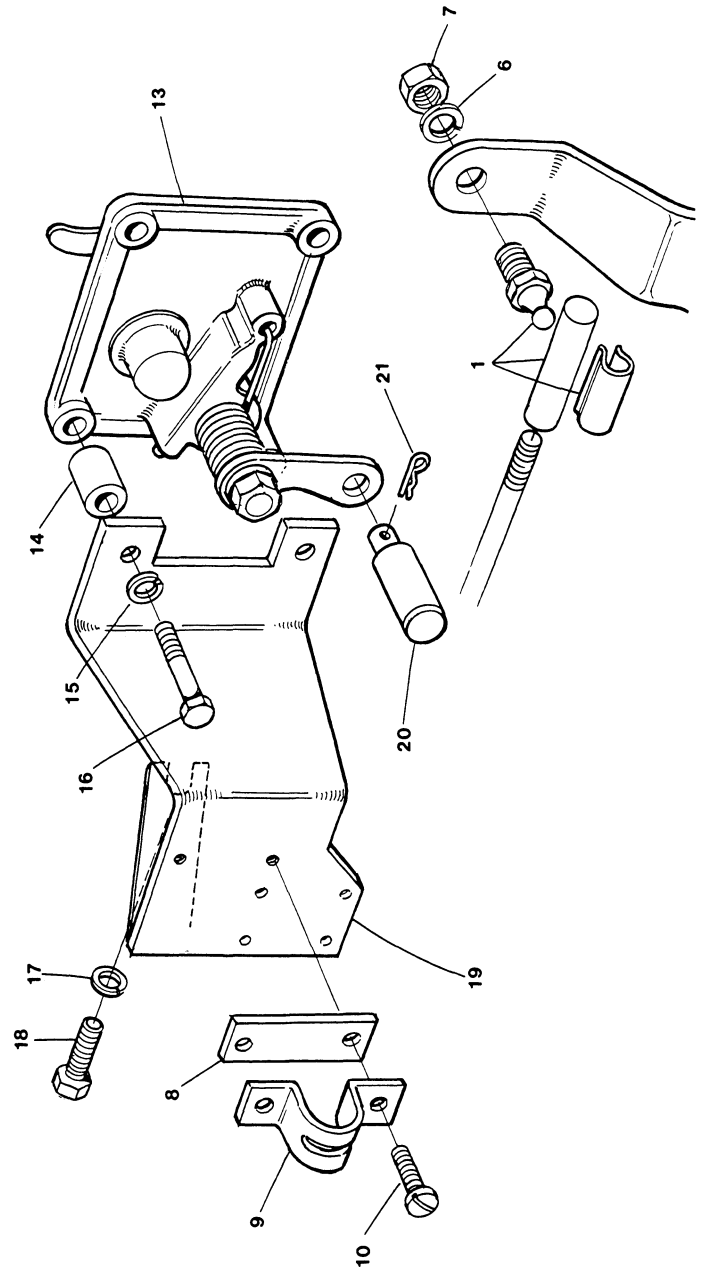
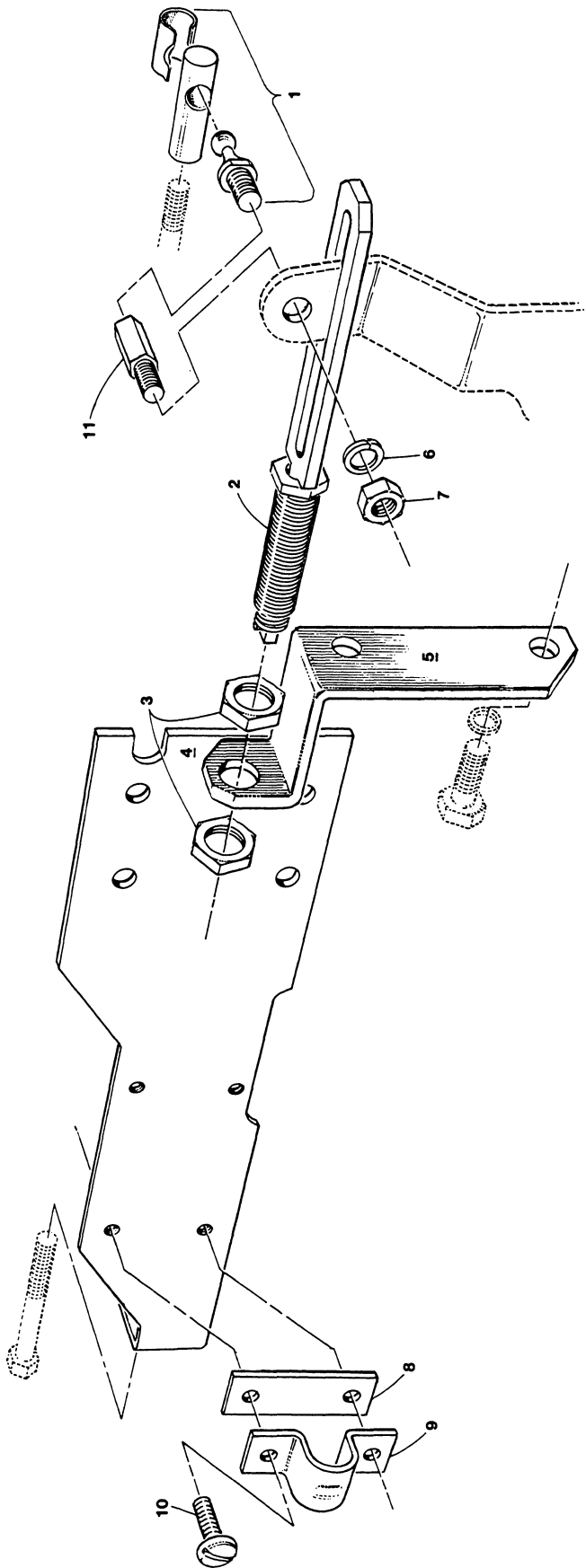
WESTERBEEK 18-21-27-33 - GOVERNOR



WESTERBEKE 18-21-27-33 - GOVERNOR

REF	PN	NAME	REMARKS	QUAN
1	30449	WEIGHT	ASSEMBLY-GOVERNOR	1
2	31783	LOCKWASHER	M6 DIN 127	3
3	15816	CAPSCREW	M6 X 10 DIN 933	3
4- 1	30450	SHAFT	ASSEMBLY-SLIDING-W21-27-33	1
4- 2	33799	SHAFT	ASSEMBLY-SLIDING-6K#	1
5	30452	LEVER	GOVERNOR	1
6	31783	LOCKWASHER	M6 DIN 127	1
7	31810	CAPSCREW	M6 X 14 DIN 933	1
8	30208	PIN	GROOVED	2
9	30453	SHAFT	GOVERNOR	1
10	30454	LEVER	GOVERNOR SPRING	2
11	31786	LOCKWASHER	M8 DIN 127	2
12	31802	NUT	JAM-M8	2
13- 1	30580	ROD	TIE-W21 TO S/N 16230	1
13- 2	33275	ROD	TIE-W21 FROM S/N 16231	1
13- 3	30580	ROD	TIE-W27 TO S/N 10863	1
13- 4	33275	ROD	TIE-W27 FROM S/N 10869	1
13- 5	30451	ROD	TIE-W33 TO S/N 4817	1
13- 6	30580	ROD	TIE-W33 S/N 4818-5409	1
13- 7	33276	ROD	TIE-W33 FROM S/N 5410	1
14	30579	SPRING	TIE ROD	1
15- 1	30576	SPRING	GOVERNOR-MARINE	1
15- 2	30385	SPRING	GOVERNOR-GENERATOR	1
16	30277	O-RING		1
17	30575	LEVER	SPEED CONTROL	1
18	31801	NUT	JAM-M6	1
19	30323	BOLT	HIGH SPEED SETTING-DO NOT USE ON GENSET	1
20	30293	WIRE	SEAL HIGH SPEED BOLT	1
21	30292	SEAL	LEAD	1
22- 1	30578	GASKET	TIE ROD COVER-W21-27	1
22- 2	30456	GASKET	TIE ROD COVER-W33	1
23- 1	30577	COVER	TIE ROD-W21-27	1
23- 2	30455	COVER	TIE ROD-W33 2 HOLE TO S/N 4816	1
23- 3	30577	COVER	TIE ROD-W33 4 HOLE FROM S/N 4817	1
24- 1	31783	LOCKWASHER	M6 DIN 127-W21-27	4
24- 2	31786	LOCKWASHER	M8 DIN 127-W33 2 HOLE COVER	2
24- 3	31783	LOCKWASHER	M6 DIN 127-W33 4 HOLE COVER	4
25- 1	31810	CAPSCREW	M6 X 14 DIN 933-W21-27	4
25- 2	16789	CAPSCREW	M8 X 16 DIN 933-W33 2 HOLE COVER	2
25- 3	18804	CAPSCREW	M6 X 20 DIN 933-W33 4 HOLE COVER	4
26	33274	COVER	TIE ROD & STOP LEVER ASSEMBLY	1
27	31783	LOCKWASHER	M6 DIN 127	4
28- 1	13590	CAPSCREW	M6 X 30 DIN 933	2
28- 2	18804	CAPSCREW	M6 X 20 DIN 933	2
29	20628	CAPSCREW	M6 X 25 DIN 933-LOW IDLE ADJUST	1
30	31801	NUT	JAM-M6	1

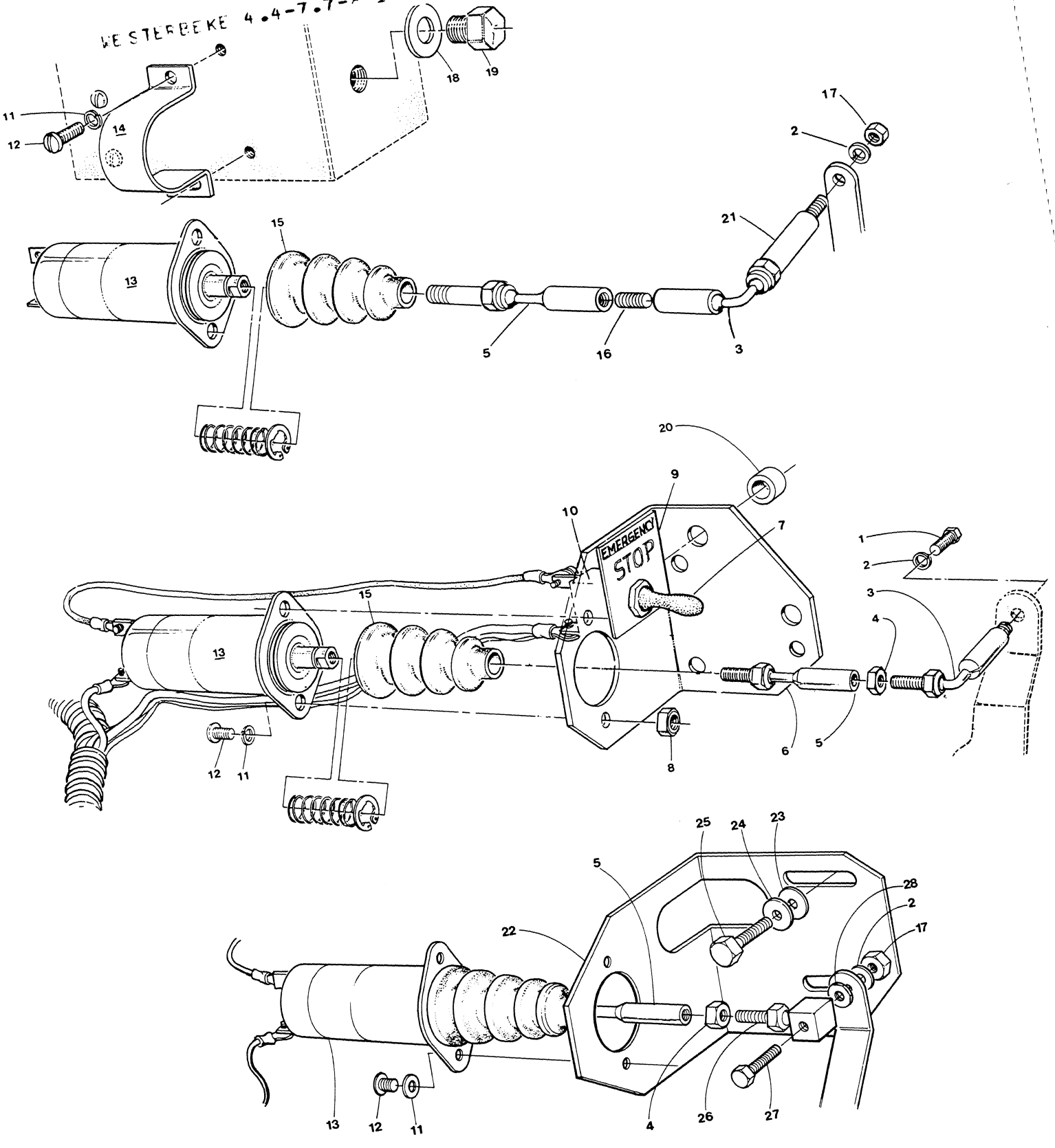
WESTEREEKE 13-21-27-33 - IDLE STOP ASSEMBLY



WESTERBEKE 13-21-27-33 - IDLE STOP ASSEMBLY

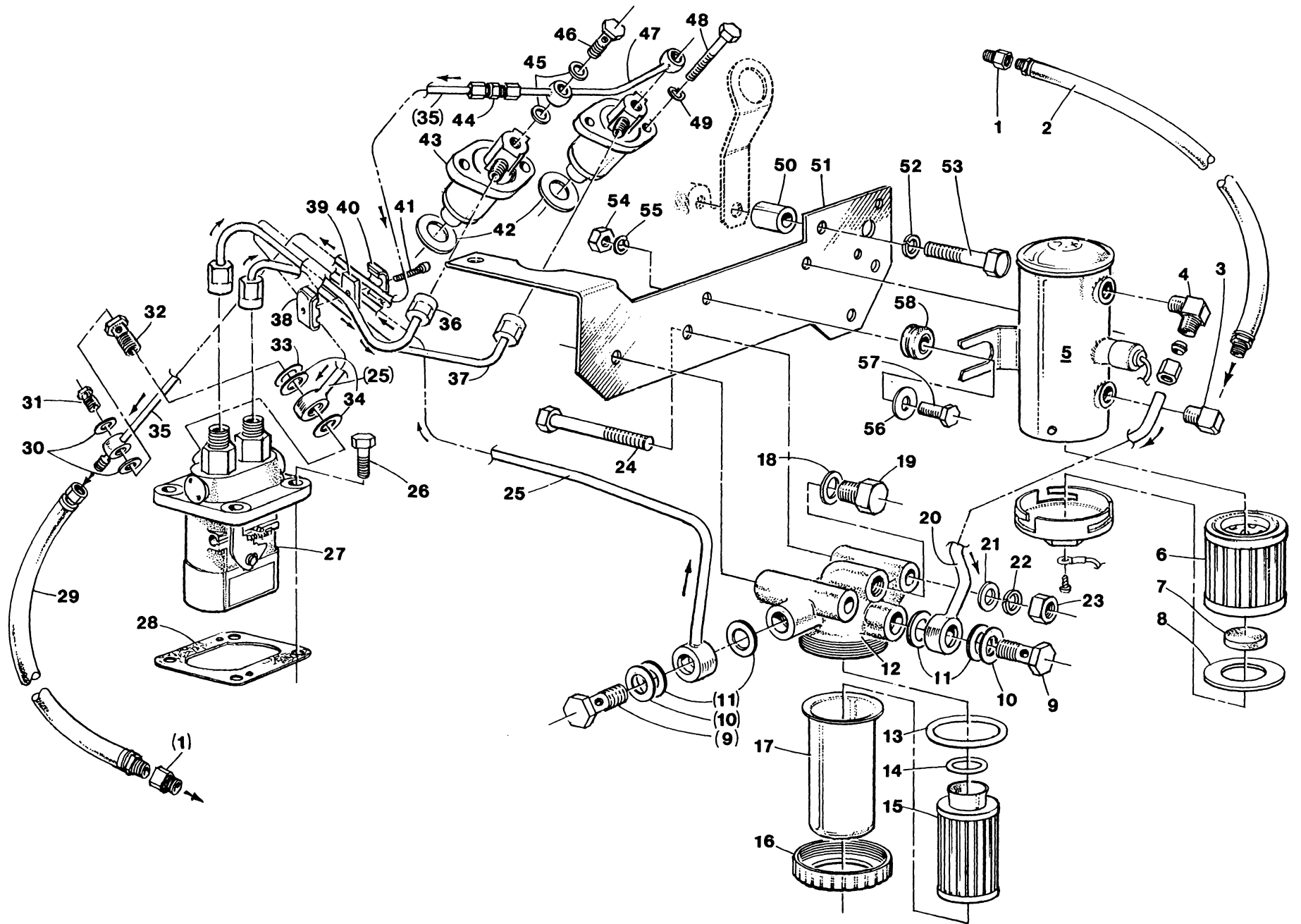
REF	PN	NAME	REMARKS	QUAN
1	19364	BALL JOINT	THROTTLE CABLE	1
2	30169	IDLE STOP	ASSEMBLY	1
3- 1	30051	NUT	1/2NF BRASS-W13	1
3- 2	30051	NUT	1/2NF BRASS-W21-27-33	2
4	24845	BRACKET	THROTTLE CABLE-W21-27-33	1
5	30037	BRACKET	IDLE STOP-W21-27-33	1
6	31849	LOCKWASHER	10	1
7	31847	NUT	10-32	1
8	13870	SHIM		1
9	13325	CLAMP	THROTTLE CABLE	1
10	31873	SCREW	10-32 X 5/8	2
11	30054	STANDOFF	10-32 X 1/2-W13	1
12	21722	SPACER	BRACKET MOUNTING-W33	1
13	33274	COVER	TIE ROD & STOP LEVER ASSEMBLY	1
14	33052	SPACER		1
15	31783	LOCKWASHER	M6 DIN 127	4
16- 1	13590	CAPSCREW	M6 X 30 DIN 933	2
16- 2	18804	CAPSCREW	M6 X 20 DIN 933	2
17	31786	LOCKWASHER	M8 DIN127	1
18- 1	31812	CAPSCREW	M8 X 65 DIN 931-W21-27	
18- 2	18812	CAPSCREW	M8 X 70 DIN 931-W33	1
19- 1	32490	BRACKET	THROTTLE & STOP CABLES-W21	1
19- 2	32487	BRACKET	THROTTLE & STOP CABLES-W27	1
19- 3	32491	BRACKET	THROTTLE & STOP CABLES-W33	1
20	33051	PIVOT	STOP CABLE	1
21	11796	COTTER PIN		1
22- 1		NOTE	REF 13-21 REPLACED IDLE STOP ASSEMBLY	
22- 2			W21 FROM S/N 16231	
22- 3			W27 FROM S/N 10869	
22- 4			W33 FROM S/N 5410	

WESTERBEKE 4.4-7.7-8-11-12.5KW - FUEL SOLENOID



WESTERBEKE 4.4-7.7-8-11-12.5KW - FUEL SOLENOID

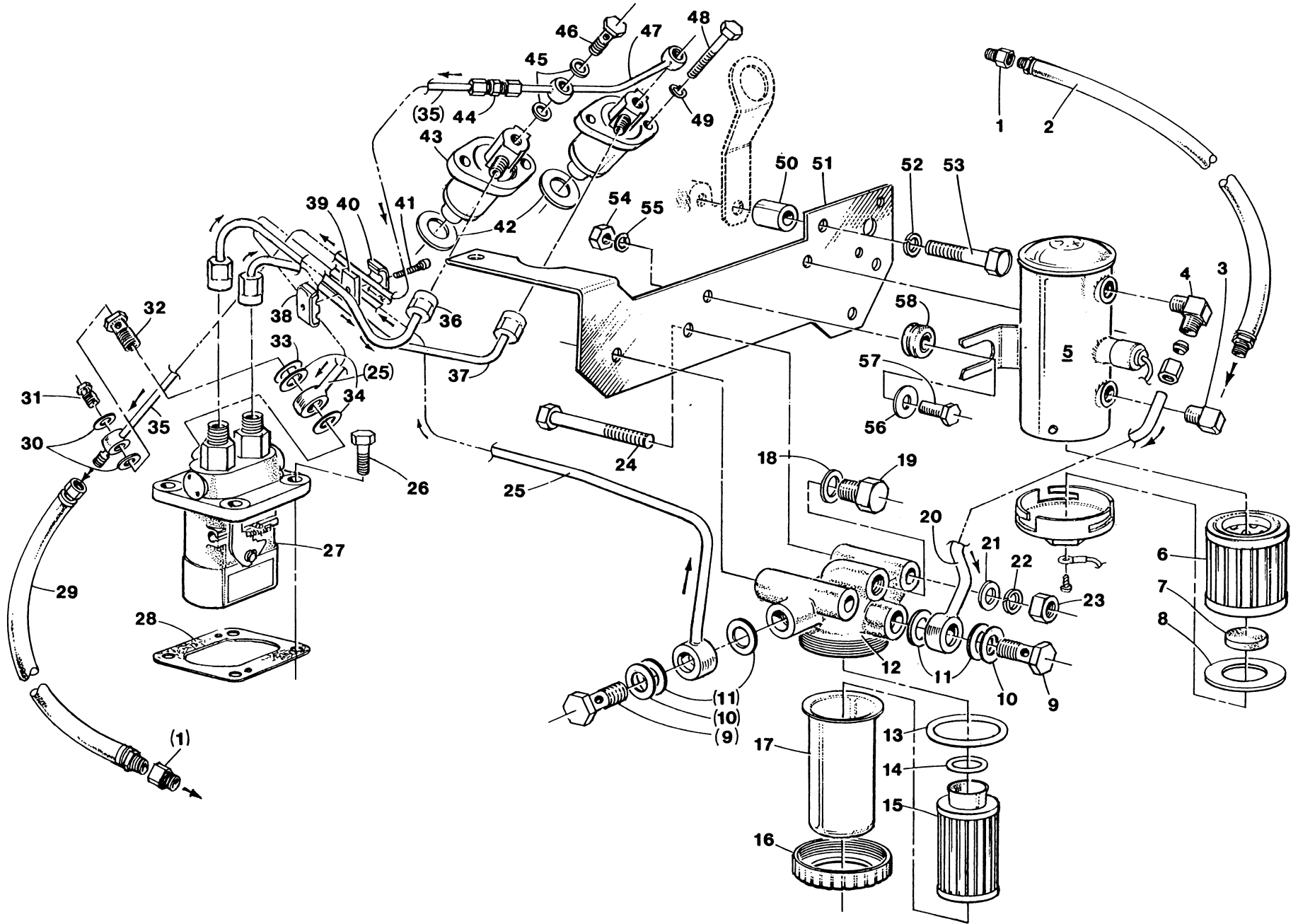
REF	PN	NAME	REMARKS	QUAN
1	31526	CAPSCREW	1/4NF X 1/2	1
2	31752	LOCKWASHER	1/4	1
3	15232	BALL JOINT	90 DEGREE	1
4	15534	NUT	1/4NF JAM	1
5	15225	BALL JOINT		1
6	31189	BRACKET	FUEL SHUT-OFF SOLENOID-7.7-11-12.5KW	1
7	33258	BOOT	EMERGENCY STOP SWITCH	1
8	31847	NUT	10-32 7.7-11-12.5KW	2
9	33251	LABEL	EMERGENCY STOP SWITCH	1
10	33259	SWITCH	EMERGENCY STOP	1
11	31849	LOCKWASHER	10	2
12	31872	SCREW	10-32 X 1/2	2
13	23041	SOLENOID	FUEL SHUT-OFF	1
14	19019	CLAMP	FUEL SHUT-OFF SOLENOID-4.4KW	1
15		BOOT	FUEL SOLENOID	1
16	23476	ROD	THREADED-4.4KW	1
17	31754	NUT	1/4NF-4.4KW	1
18	31777	WASHER	1/2-4.4KW	1
19	31726	CAPSCREW	1/2NF X 1/2-4.4KW	1
20	21722	SPACER	BRACKET MOUNTING-12.5KW	2
21	30053	STANDOFF	1/4NF X 7/8-4.4KW	1
22	35025	BRACKET	FUEL SHUT-OFF SOLENOID BC-4.4KW	1
23	31759	WASHER	FLAT 5/16	2
24	31758	LOCKWASHER	5/16	2
25	31553	CAPSCREW	5/16NC X 3/4	2
26	34179	BALL JOINT		1
27	31531	CAPSCREW	1/4NF X 1-1/4	1
28	31755	NUT	1/4NF JAM	1
50		NOTE	REFER TO WIRING HARNESS PAGE FOR BC-6 AND BT-8KW SOLENOID ARRANGEMENT	



WESTERBEKE 12 - FUEL SYSTEM

WESTERBEKE 13 - FUEL SYSTEM

REF	PN	NAME	REMARKS	QUAN
1	15289	ADAPTER		2
2	30025	HOSE	FUEL SUPPLY	1
3	13340	ELBOW	1/8NPT STREET	1
4- 1	13329	ELBOW	INCL NUT & FERRULE-30072 LINE	1
4- 2	16676	NUT		1
4- 3	11597	FERRULE		1
4- 4	22513	ELBOW	HOSE 34741	1
5- 1	24831	PUMP	ELECTRICAL FUEL LIFT WITH FILTER	1
5- 2	33791	GASKET	LIFT PUMP-ABOVE ELEMENT	1
6	30548	ELEMENT	LIFT PUMP FILTER WITH GASKET	1
7	33792	MAGNET	LIFT PUMP COVER	1
8		GASKET	LIFT PUMP COVER-SEE REF 6	1
9	24984	BOLT	BANJO	2
10	24972	WASHER	M14 ALUMINUM	2
11	30291	WASHER	BANJO M14	4
12- 1	30210	FILTER	FUEL	1
12- 2	30211	HEAD	FUEL FILTER	1
13- 1	32406	O-RING KIT	INCL REF 13-14	1
13- 2		O-RING	FUEL FILTER CUP	1
14		O-RING	FUEL FILTER	1
15	30200	ELEMENT	FUEL FILTER INCL O-RINGS	1
16	30212	RETAINER	FUEL FILTER CUP	1
17	30199	CUP	FUEL FILTER	1
18	30289	GASKET	FUEL FILTER BLEED	1
19	30213	SCREW	FUEL FILTER BLEED	1
20- 1	30072	LINE	LIFT PUMP TO FILTER-USE 34741 HOSE	1
20- 2	34741	HOSE	LIFT PUMP TO FILTER INCL ELBOW	1
21	31759	WASHER	5/16 FLAT	2
22	31758	LOCKWASHER	5/16	2
23	31756	NUT	5/16NC	2
24	31560	CAPSCREW	5/16NC X 2-1/4	2
25	30074	LINE	FILTER TO INJECTION PUMP	1
26	17196	CAPSCREW	M8 X 20 DIN 933	4
27	31283	PUMP	FUEL INJECTION	1
28- 1	30310	SHIM	ADJUSTING 0.2MM	AR
28	30311	SHIM	ADJUSTING 0.3MM	AR
28- 3	30312	SHIM	ADJUSTING 0.4MM	AR
29- 4	31301	SHIM	ADJUSTING 0.5MM	AR
28- 5	31302	SHIM	ADJUSTING 0.6MM	AR
28- 6	31303	SHIM	ADJUSTING 0.7MM	AR
28- 7	30313	SHIM	ADJUSTING 0.8MM	AR
28- 8	31304	SHIM	ADJUSTING 0.9MM	AR
28- 9	30314	SHIM	ADJUSTING 1.0MM	AR
29	34857	HOSE	FUEL RETURN	1
30	30289	WASHER	BANJO M8	2
31	16988	BOLT	BANJO M8	1
32	24916	BOLT	BANJO	1
33	24972	WASHER	ALUMINUM M14	1
34	30291	WASHER	BANJO M14	1
35	30076	LINE	INJECTOR LEAK-OFF TO PUMP	1

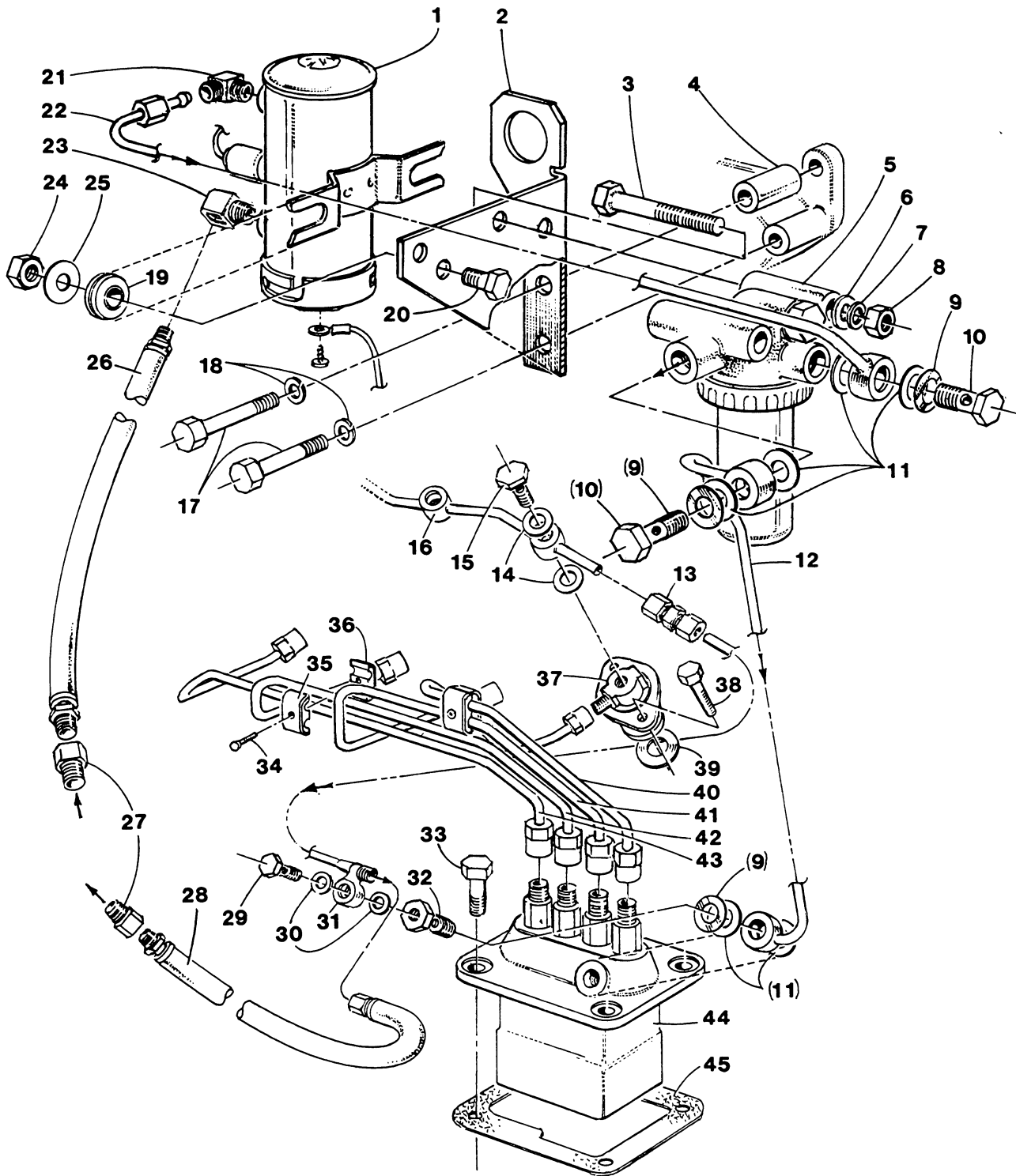


WESTERBEKE 15 - FUEL SYSTEM

WESTERBEKE 13 - FUEL SYSTEM

REF	PN	NAME	REMARKS	QUAN
36	30365	LINE	INJECTOR 1	1
37	30366	LINE	INJECTOR 2	1
38	30316	CLAMP	FUEL LINE	1
39	31195	ISOLATOR	FUEL LINE	1
40	30315	CLAMP	FUEL LINE	1
41	13590	CAPSCREW	M6 X 30 DIN 933	1
42	30193	GASKET	INJECTOR	2
43	30538	INJECTOR	FUEL	2
44- 1	24600	UNION	COMPRESSION INCL NUTS AND FERRULES	1
44- 2	13343	FERRULE		2
44- 3	13344	NUT		2
45	30289	WASHER	BANJO M8	4
46	16988	BOLT	BANJO M8	2
47	30367	LINE	INJECTOR LEAK-OFF	1
48	18811	CAPSCREW	M8 X 40	4
49	31786	LOCKWASHER	M8 DIN 127	4
50	23382	SPACER		1
51	30010	BRACKET	FUEL FILTER AND LIFT PUMP MOUNT	1
52	19262	LOCKWASHER	M10 DIN 127	1
53	24953	CAPSCREW	M10 X 1.25 X 35	1
54	31754	NUT	1/4NF	2
55	31752	LOCKWASHER	1/4	2
56	31753	WASHER	1/4 FLAT	2
57	31531	CAPSCREW	1/4NF X 1-1/4	2
58		ISOLATOR	FUEL LIFT PUMP MOUNT	2
59	33093	KIT	FUEL HARDWARE	1

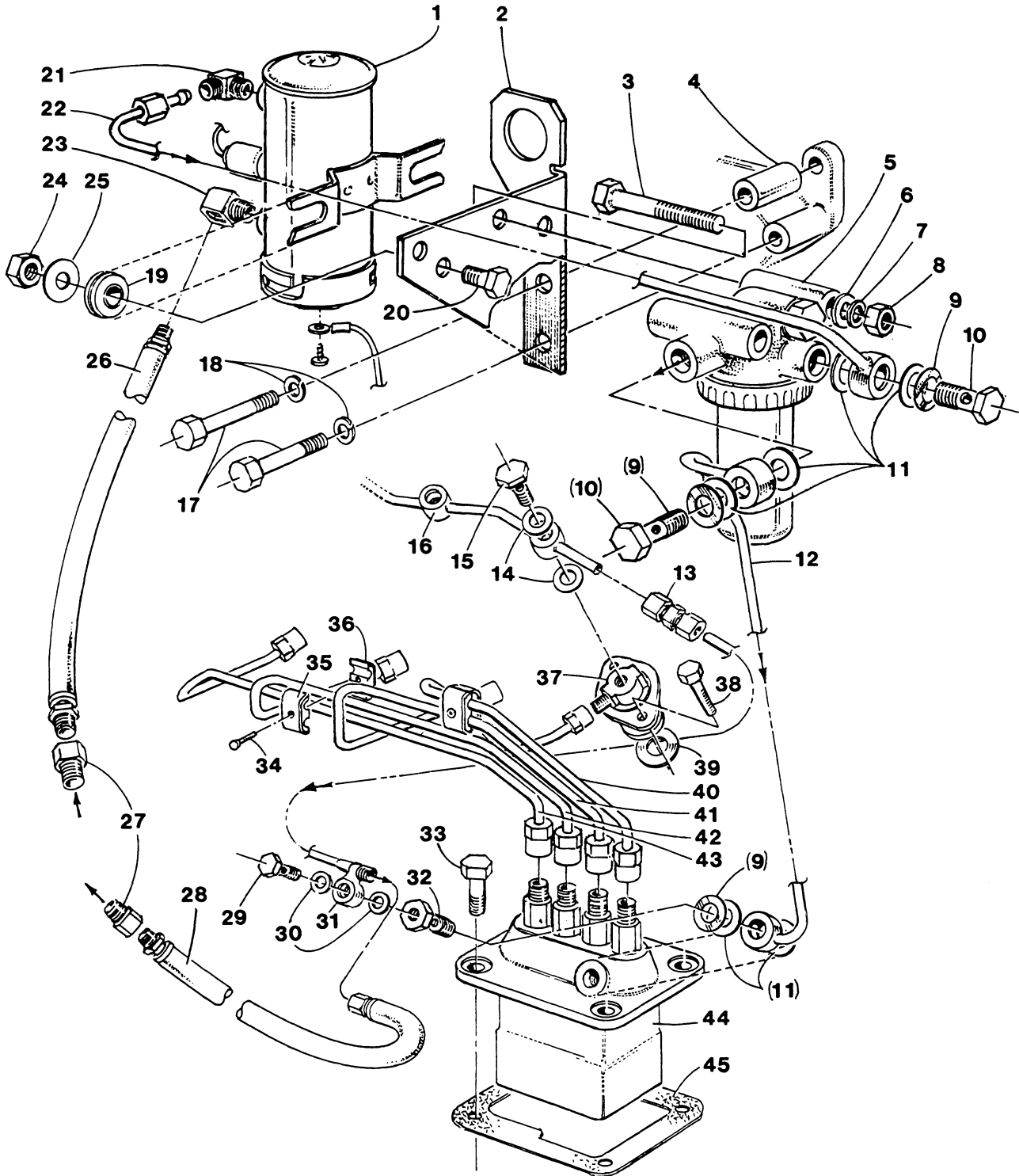
WESTERBEKE 21-27-33 - FUEL SYSTEM



WESTERBEKE 21-27-33 - FUEL SYSTEM

REF	PN	NAME	REMARKS	QUAN
1- 1	24831	PUMP	ELECTRICAL FUEL LIFT WITH FILTER	1
1- 2		ELEMENT	SEE PRECEEDING PAGE	
2- 1	24842	BRACKET	FILTER AND PUMP MOUNTING-W21-27	1
2- 2	30017	BRACKET	FILTER AND PUMP MOUNTING-W33	1
3	31560	CAPSCREW	5/16NC X 2-1/4	2
4	24991	SPACER	1-1/8 LONG-W21-27	1
5	30210	FILTER	FUEL-INTERNAL PARTS ON PRECEEDING PAGE	1
6	31759	WASHER	5/16 FLAT	2
7	31758	LOCKWASHER	5/16	2
8	31756	NUT	5/16NC	2
9	24972	WASHER	M14 ALUMINUM	3
10	24984	BOLT	BANJO	2
11	30291	WASHER	BANJO M14	6
12- 1	31499	LINE	FUEL FILTER TO INJECTION PUMP-W21	1
12- 2	30080	LINE	FUEL FILTER TO INJECTION PUMP-W27	1
12- 3	30086	LINE	FUEL FILTER TO INJECTION PUMP-W33	1
13- 1	24600	UNION	COMPRESSION INCL NUTS AND FERRULES	1
13- 2	13343	FERRULE		2
13- 3	13344	NUT		2
14- 1	30289	WASHER	BANJO M8-W21	6
14- 2	30289	WASHER	BANJO M8-W27-33	8
15- 1	16988	BOLT	BANJO M8-INJECTOR RETURN-W21	3
15- 2	16988	BOLT	BANJO M8-INJECTOR RETURN-W27-33	4
16- 1	30569	LINE	INJECTOR LEAK/OFF-W21	1
16- 2	30570	LINE	INJECTOR LEAK-OFF-W27	1
16- 3	30448	LINE	INJECTOR LEAK-OFF-W33	1
17- 1	24948	CAPSCREW	M8 X 45 DIN 931-W21-27	2
17- 2	31228	CAPSCREW	M10 X 1.25 X 30 DIN 961-W33	2
18- 1	31786	LOCKWASHER	M8 DIN 127-W21-27	2
18- 2	19262	LOCKWASHER	M10 DIN 127-W33	2
19		ISOLATOR	FUEL LIFT PUMP MOUNT	2
20	31531	CAPSCREW	1/4NF X 1-1/4	2
21- 1	13329	ELBOW	INCL NUT & FERRULE-SOLID LINE	1
21- 2	16676	NUT		1
21- 3	11597	FERRULE		1
21- 4	22513	ELBOW	HOSE	1
22- 1	30078	LINE	LIFT PUMP TO FILTER-W21-27 USE 34489	1
22- 2	34489	HOSE	LIFT PUMP TO FILTER-W21-27 INCL ELBOW	1
22- 3	30084	LINE	LIFT PUMP TO FILTER-W33 USE 34614	1
22- 4	34614	HOSE	LIFT PUMP TO FILTER-W33 INCL ELBOW	1
23	13340	ELBOW	1/8NPT STREET	1
24	31754	NUT	1/4NF	2
25- 1	31753	WASHER	1/4	2
25- 2	31752	LOCKWASHER	1/4	2
26	30025	HOSE	FUEL SUPPLY	1
27	15289	ADAPTER		2
28	34857	HOSE	FUEL RETURN	1
29	16988	BOLT	BANJO M8	1
30	30289	WASHER	BANJO M8	2

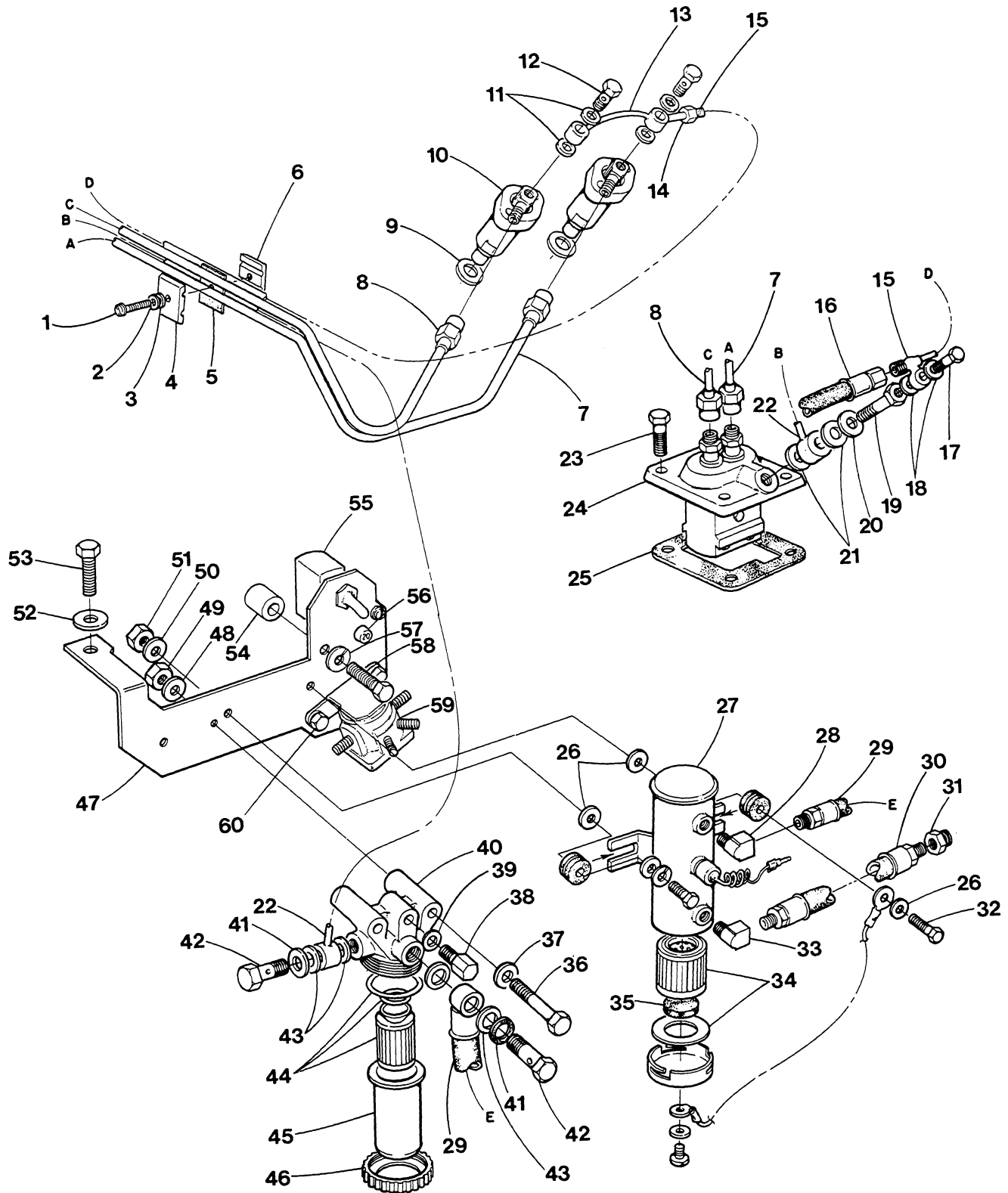
WESTERBEKE 21-27-33 - FUEL SYSTEM



WESTERBEKE 21-27-33 - FUEL SYSTEM

REF	P N	NAME	REMARKS	QUAN
31- 1	30082	LINE	INJECTOR LEAK-OFF TO PUMP-W21-27	1
31- 2	30088	LINE	INJECTOR LEAK-OFF TO PUMP-W33 TO S/N5409	1
31- 3	33424	LINE	INJECTOR LEAK-OFF TO PUMP-W33 FR S/N5410	1
32- 1	24916	BOLT	BANJO-W21	1
32- 2	24915	BOLT	BANJO-W27-33	1
33- 1	17196	CAPSCREW	M8 X 20 DIN 933-W21	4
33- 2	17196	CAPSCREW	M8 X 20 DIN 933-W27-33	6
34- 1	18804	CAPSCREW	M6 X 20 DIN 933-W21	2
34- 2	20628	CAPSCREW	M6 X 25 DIN 931-W27-33	3
35- 1	30315	CLAMP	FUEL LINE-W21	2
35- 2	30315	CLAMP	FUEL LINE-W27-33	3
36- 1	30316	CLAMP	FUEL LINE-W21	2
36- 2	30316	CLAMP	FUEL LINE-W27-33	3
37- 1	30538	INJECTOR	FUEL-W21	3
37- 2	30538	INJECTOR	FUEL-W27-33	4
38- 1	13619	CAPSCREW	M8 X 30 DIN 931-W21	6
38- 2	13619	CAPSCREW	M8 X 30 DIN 931-W27-33	8
39- 1	30193	GASKET	INJECTOR-W21	3
39- 2	30193	GASKET	INJECTOR-W27-33	4
40- 1	30571	LINE	INJECTOR 1-W21-27	1
40- 2	30443	LINE	INJECTOR 1-W33	1
41- 1	30572	LINE	INJECTOR 2-W21-27	1
41- 2	30444	LINE	INJECTOR 2-W33	1
42- 1	30573	LINE	INJECTOR 3-W21-27	1
42- 2	30445	LINE	INJECTOR 3-W33	1
43- 1	30574	LINE	INJECTOR 4-W27	1
43- 2	30446	LINE	INJECTOR 4-W33	1
44- 1	30549	PUMP	FUEL INJECTION-W21	1
44- 2	30550	PUMP	FUEL INJECTION-W27	1
44- 3	30447	PUMP	FUEL INJECTION-W33	1
44- 4	33800	PUMP	FUEL INJECTION-6KW	1
45- 1	30560	SHIM	ADJUSTING 0.2MM-W21	AR
45- 2	30561	SHIM	ADJUSTING 0.3MM-W21	AR
45- 3	30562	SHIM	ADJUSTING 0.4MM-W21	AR
45- 4	30563	SHIM	ADJUSTING 0.5MM-W21	AR
45- 5	30564	SHIM	ADJUSTING 0.6MM-W21	AR
45- 6	30565	SHIM	ADJUSTING 0.7MM-W21	AR
45- 7	30566	SHIM	ADJUSTING 0.8MM-W21	AR
45- 8	30567	SHIM	ADJUSTING 0.9MM-W21	AR
45- 9	30568	SHIM	ADJUSTING 1.0MM-W21	AR
45-10	30551	SHIM	ADJUSTING 0.2MM-W27-33	AR
45-11	30552	SHIM	ADJUSTING 0.3MM-W27-33	AR
45-12	30553	SHIM	ADJUSTING 0.4MM-W27-33	AR
45-13	30554	SHIM	ADJUSTING 0.5MM-W27-33	AR
45-14	30555	SHIM	ADJUSTING 0.6MM-W27-33	AR
45-15	30556	SHIM	ADJUSTING 0.7MM-W27-33	AR
45-16	30557	SHIM	ADJUSTING 0.8MM-W27-33	AR
45-17	30558	SHIM	ADJUSTING 0.9MM-W27-33	AR
45-18	30559	SHIM	ADJUSTING 1.0MM-W27-33	AR
46	33093	KIT	FUEL HARDWARE	1

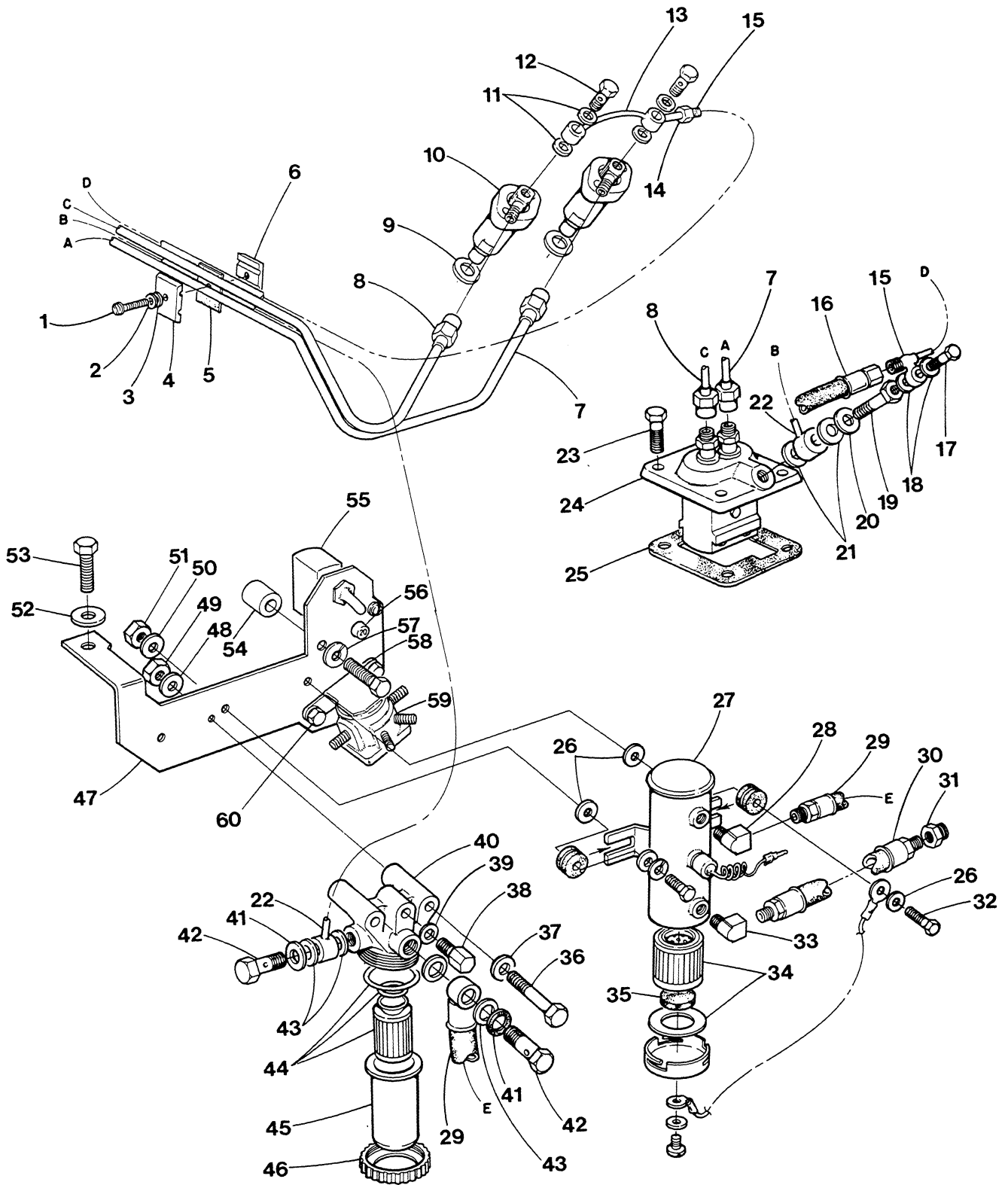
WESTERBEKE 13A - BC-4.4KW - FUEL SYSTEM



WESTERBEKE 13A - BC-4.4KW - FUEL SYSTEM

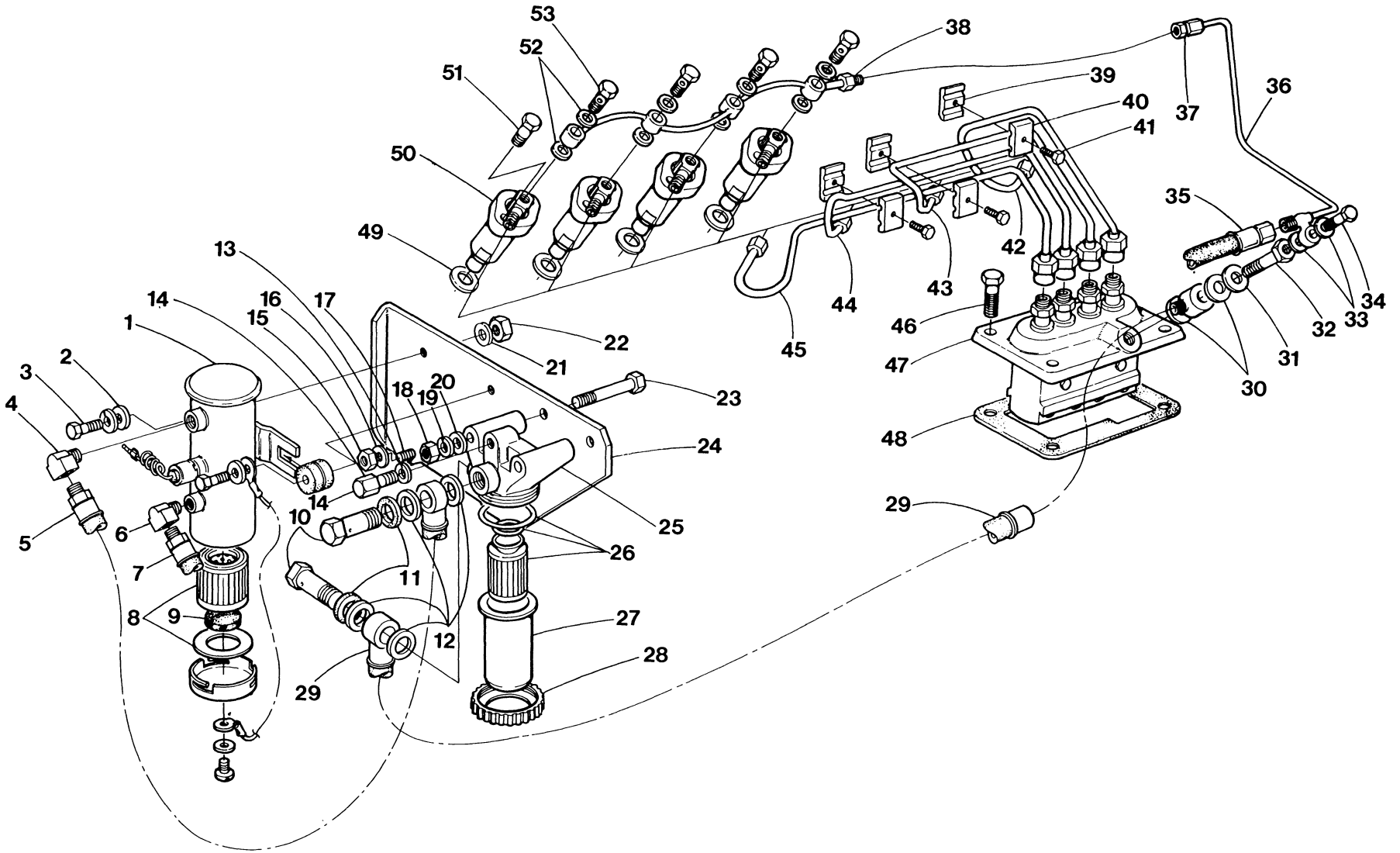
REF	PN	NAME	REMARKS	QUAN
1	13590	CAPSCREW	M 6 X 30 DIN 933	1
2	31783	LOCKWASHER	M 6 DIN 127	1
3	31784	WASHER	M 6 DIN 125	1
4	30315	CLAMP	FUEL LINE	1
5	31195	ISOLATOR	FUEL LINE	1
6	30316	CLAMP	FUEL LINE	1
7	30365	LINE	INJECTOR 1	1
8	30366	LINE	INJECTOR 2	1
9	30193	GASKET	INJECTOR	2
10	30538	INJECTOR	FUEL	2
11	30289	WASHER	BANJO M 8	4
12	16988	BOLT	BANJO M 8	2
13	30367	LINE	INJECTOR LEAK-OFF	1
14- 1	24600	UNION	COMPRESSION INCL NUTS & FERRULES	1
14- 2	13343	FERRULE		2
14- 3	13344	NUT		2
15	34960	LINE	INJECTOR RETURN TO INJECTION PUMP	1
16	34857	HOSE	FUEL RETURN	1
17	16988	BOLT	BANJO M 8	1
18	30289	WASHER	BANJO M 8	2
19	24916	BOLT	BANJO	1
20	24972	WASHER	ALUMINUM M14	1
21	30291	WASHER	BANJO M14	2
22- 1	35705	LINE	FUEL FILTER TO INJECTION PUMP-W13A	1
22- 2	30074	LINE	FUEL FILTER TO INJECTION PUMP-GENSET	1
23	17196	CAPSCREW	M 8 X 20 DIN 933	4
24	31283	PUMP	FUEL INJECTION	1
25- 1	30310	SHIM	ADJUSTING 0.2MM	AR
25- 2	30311	SHIM	ADJUSTING 0.3MM	AR
25- 3	30312	SHIM	ADJUSTING 0.4MM	AR
25- 4	31301	SHIM	ADJUSTING 0.5MM	AR
25- 5	31302	SHIM	ADJUSTING 0.6MM	AR
25- 6	31303	SHIM	ADJUSTING 0.7MM	AR
25- 7	30313	SHIM	ADJUSTING 0.8MM	AR
25- 8	31304	SHIM	ADJUSTING 0.9MM	AR
25- 9	30314	SHIM	ADJUSTING 1.0MM	AR
26	31784	WASHER	M 6 DIN 125	4
27	24831	PUMP	FUEL LIFT 12FDC	1
28	22513	ELBOW	1/8NPT TO HOSE	1
29- 1	34489	LINE	LIFT PUMP TO FILTER INCL ELBOW-W13A	1
29- 2	34741	LINE	LIFT PUMP TO FILTER INCL ELBOW-GENSET	1

WESTERBEKE 13A - BC-4.4KW - FUEL SYSTEM



WESTERBEKE 13A - BC-4.4KW - FUEL SYSTEM

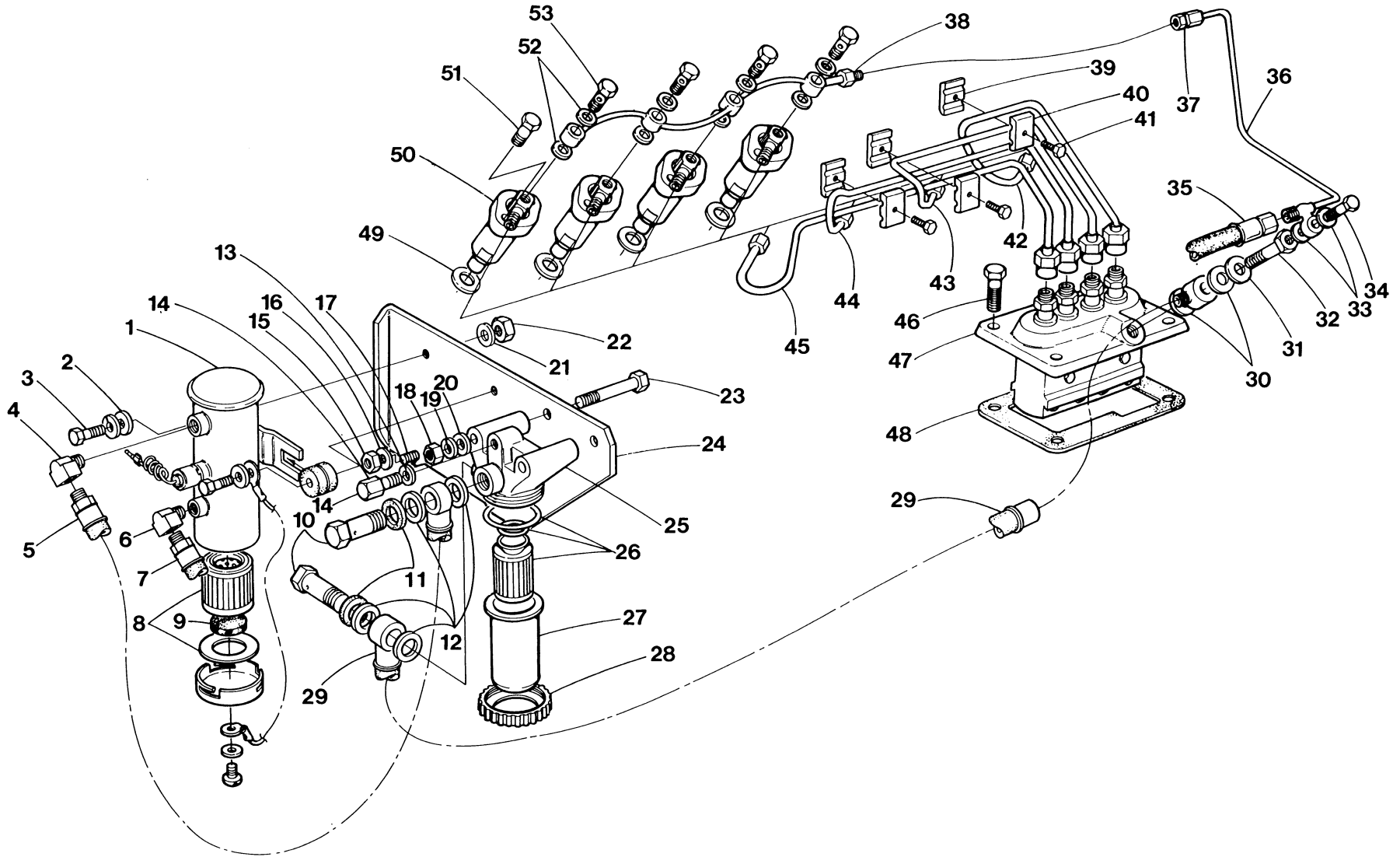
REF	PN	NAME	REMARKS	QUAN
30	30025	HOSE	FUEL SUPPLY	1
31	15289	ADAPTER		1
32	13590	CAPSCREW	M 6 X 30 DIN 933	2
33	13340	ELBOW	1/8NPT STREET	1
34	30548	ELEMENT	LIFT PUMP FILTER WITH GASKET	1
35	33792	MAGNET	LIFT PUMP COVER	1
36	31225	CAPSCREW	M 8 X 60 DIN 931	2
37	31787	WASHER	M 8 DIN 125	2
38	30213	SCREW	FUEL FILTER BLEED	1
39	30289	WASHER	FUEL FILTER BLEED	1
40 - 1	30210	FILTER	FUEL	1
40 - 2	30211	HEAD	FUEL FILTER	1
41	24972	WASHER	ALUMINUM M14	2
42	24984	BOLT	BANJO	2
43	30291	WASHER	BANJO M14	4
44	30200	ELEMENT	FUEL FILTER INCL O-RINGS	1
45	30199	CUP	FUEL FILTER	1
46	30212	RETAINER	FUEL FILTER CUP	1
47 - 1	34422	BRACKET	FUEL FILTER & LIFT PUMP-W13A	1
47 - 2	30010	BRACKET	FUEL FILTER & LIFT PUMP-GENSET	1
48	31786	LOCKWASHER	M 8 DIN 127	2
49	18242	NUT	M 8 DIN 934	2
50	31783	LOCKWASHER	M 6 DIN 127	2
51	15812	NUT	M 6 DIN 934	2
52	30345	BOLT	CYLINDER HEAD	1
53	30243	WASHER	CYLINDER HEAD BOLT	1
54	34585	SPACER		1
55	33259	SWITCH	EMERGENCY SHUT-DOWN-GENSET	1
56	24683	BREAKER	CIRCUIT 20 AMP	1
57	19262	LOCKWASHER	M10 DIN 127	1
58	24953	CAPSCREW	M10 X 1.25 X 35 DIN 961	1
59	24639	SOLENOID	PRE-HEAT 12VDC	1
60 - 1	13590	CAPSCREW	M 6 X 30 DIN 933	2
60 - 2	31784	WASHER	M 6 DIN 125	4
60 - 3	31783	LOCKWASHER	M 6 DIN 127	2
60 - 4	15812	NUT	M 6 DIN 934	2
61	33093	KIT	FUEL HARDWARE	1



WESTERBEKE 18-21A-27A-33A - FUEL SYSTEM

WESTERBEKE 18-21A-27A-33A - FUEL SYSTEM

REF	PN	NAME	REMARKS	QUAN
1	24831	PUMP	FUEL LIFT 12VDC	1
2	31784	WASHER	M 6 DIN 127	4
3	13590	CAPSCREW	M 6 X 30 DIN 933	2
4	22513	ELBOW	1/8NPT TO HOSE	1
5	34741	LINE	LIFT PUMP TO FILTER INCL ELBOW	1
6	13340	ELBOW	1/8NPT STREET	1
7	30025	HOSE	FUEL SUPPLY	1
8	30548	ELEMENT	LIFT PUMP FILTER WITH GASKET	1
9	33792	MAGNET	LIFT PUMP COVER	1
10	24984	BOLT	BANJO	2
11	24972	WASHER	ALUMINUM M14	2
12	30291	WASHER	BANJO M14	4
13	30289	WASHER	FILTER BLEED SCREW	1
14	30213	SCREW	FILTER BLEED	1
15	18242	NUT	M 8 DIN 934	2
16	31786	LOCKWASHER	M 8 DIN 127	2
17	15830	STUD	M 8 X 25 DIN 939	2
18	18242	NUT	M 8 DIN 934	2
19	31786	LOCKWASHER	M 8 DIN 127	2
20	31787	WASHER	M 8 DIN 125	2
21	31783	LOCKWASHER	M 6 DIN 127	2
22	15812	NUT	M 6 DIN 934	2
23	31225	CAPSCREW	M 8 X 60 DIN 931	2
24	34422	BRACKET	FUEL FILTER & LIFT PUMP	1
25- 1	30210	FILTER	FUEL	1
25- 2	30211	HEAD	FUEL FILTER	1
26	30200	ELEMENT	FUEL FILTER INCL O-RINGS	1
27	30199	CUP	FUEL FILTER	1
28	30212	RETAINER	FUEL FILTER CUP	1
29- 1	35027	LINE	FILTER TO INJECTION PUMP-W18-21A	1
29- 2	35034	LINE	FILTER TO INJECTION PUMP-W27A	1
29- 3	35035	LINE	FILTER TO INJECTION PUMP-W33A	1
30	30291	WASHER	BANJO M14	2
31	24972	WASHER	ALUMINUM M14	1
32- 1	24916	BOLT	BANJO-W18-21A	1
32- 2	24915	BOLT	BANJO-W27A-33A	1
33	30289	WASHER	BANJO M8	2
34	16988	BOLT	BANJO M 8	1
35	34857	HOSE	FUEL RETURN	1
36- 1	34610	LINE	INJECTOR RETURN TO PUMP-W18-21A-27A	1
36- 2	35282	LINE	INJECTOR RETURN TO PUMP-W33A	1
37- 1	24600	UNION	COMPRESSION INCL NUTS & FERRULES	1
37- 2	13343	FERRULE		2
37- 3	13344	NUT		2
38- 1	30569	LINE	INJECTOR LEAK-OFF-W18-21A	1
38- 2	30570	LINE	INJECTOR LEAK-OFF-W27A	1
38- 3	30448	LINE	INJECTOR LEAK-OFF-W33A	1
39- 1	30316	CLAMP	FUEL LINE-W18-21A	2
39- 2	30316	CLAMP	FULE LINE-W27A-33A	3

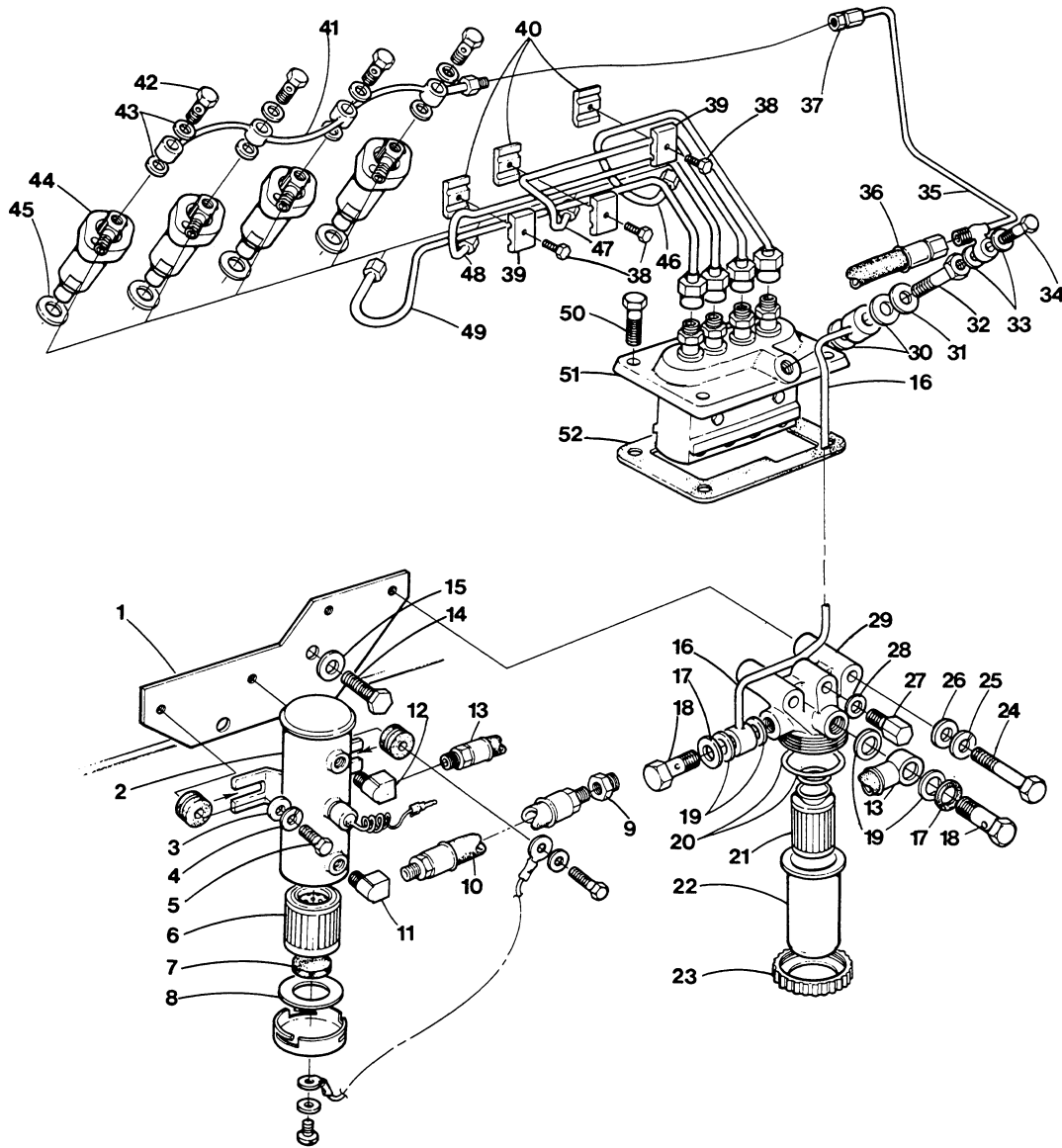


WESTERBEKE 18-21A-27A-33A - FUEL SYSTEM

WESTERBEKE 18-21A-27A-33A - FUEL SYSTEM

REF	PN	NAME	REMARKS	QUAN
40- 1	30315	CLAMP	FUEL LINE-W18-21A	2
40- 2	30315	CLAMP	FUEL LINE-W27A-33A	3
41- 1	18804	CAPSCREW	M 6 X 20 DIN 933-W18-21A	2
41- 2	20628	CAPSCREW	M 6 X 25 DIN 931-W27A-33A	3
42- 1	30571	LINE	INJECTOR 1-W18-21A-27A	1
42- 2	30443	LINE	INJECTOR 1-W33A	1
43- 1	30572	LINE	INJECTOR 2-W18-21A-27A	1
43- 2	30444	LINE	INJECTOR 2-W33A	1
44- 1	30573	LINE	INJECTOR 3-W18-21A-27A	1
44- 2	30445	LINE	INJECTOR 3-W33A	1
45- 1	30574	LINE	INJECTOR 4-W27A	1
45- 2	30446	LINE	INJECTOR 4-W33A	1
46- 1	17196	CAPSCREW	M 8 X 20 DIN 933-W18-21A	4
46- 2	17196	CAPSCREW	M 8 X 20 DIN 933-W27A-33A	6
47- 1	33800	PUMP	FUEL INJECTION-W18	1
47- 2	30549	PUMP	FUEL INJECTION-W21A	1
47- 3	30550	PUMP	FUEL INJECTION-W27A	1
47- 4	30447	PUMP	FUEL INJECTION-W33A	1
48- 1	30560	SHIM	ADJUSTING 0.2MM-W18-21A	AR
48- 2	30561	SHIM	ADJUSTING 0.3MM-W18-21A	AR
48- 3	30562	SHIM	ADJUSTING 0.4MM-W18-21A	AR
48- 4	30563	SHIM	ADJUSTING 0.5MM-W18-21A	AR
48- 5	30564	SHIM	ADJUSTING 0.6MM-W18-21A	AR
48- 6	30565	SHIM	ADJUSTING 0.7MM-W18-21A	AR
48- 7	30566	SHIM	ADJUSTING 0.8MM-W18-21A	AR
48- 8	30567	SHIM	ADJUSTING 0.9MM-W18-21A	AR
48- 9	30568	SHIM	ADJUSTING 1.0MM-W18-21A	AR
48-10	30551	SHIM	ADJUSTING 0.2MM-W27A-33A	AR
48-11	30552	SHIM	ADJUSTING 0.3MM-W27A-33A	AR
48-12	30553	SHIM	ADJUSTING 0.4MM-W27A-33A	AR
48-13	30554	SHIM	ADJUSTING 0.5MM-W27A-33A	AR
48-14	30555	SHIM	ADJUSTING 0.6MM-W27A-33A	AR
48-15	30556	SHIM	ADJUSTING 0.7MM-W27A-33A	AR
48-16	30557	SHIM	ADJUSTING 0.8MM-W27A-33A	AR
48-17	30558	SHIM	ADJUSTING 0.9MM-W27A-33A	AR
48-18	30559	SHIM	ADJUSTING 1.0MM-W27A-33A	AR
49- 1	30193	GASKET	INJECTOR-W18-21A	3
49- 2	30193	GASKET	INJECTOR-W27A-33A	4
50- 1	30538	INJECTOR	FUEL-W18-21A	3
50- 2	30538	INJECTOR	FUEL-W27A-33A	4
51- 1	13619	CAPSCREW	M 8 X 30 DIN 931-W18-21A	6
51- 2	13619	CAPSCREW	M 8 X 30 DIN 931-W27A-33A	8
52- 1	30289	WASHER	BANJO M 8-W18-21A	6
52- 2	30289	WASHER	BANJO M 8-W27A-33A	8
53- 1	16988	BOLT	BANJO M 8-W18-21A	3
53- 2	16988	BOLT	BANJO M 8-W27A-33A	4
54	33093	KIT	FUEL HARDWARE	1

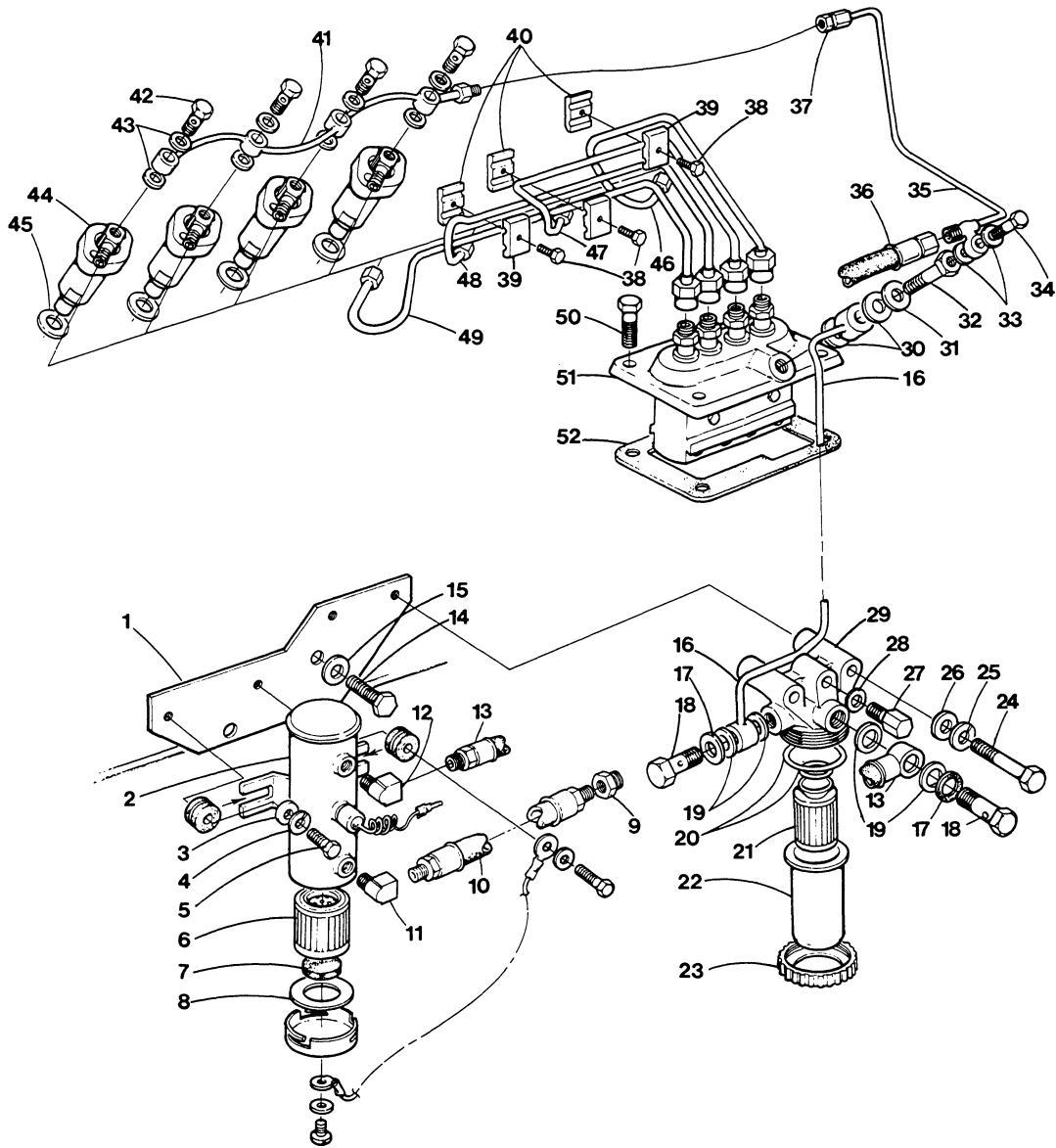
WESTERBEKE BC-6KW - BT-8KW - FUEL SYSTEM



WESTERBEKE BC-6KW - BT-8KW - FUEL SYSTEM

REF	PN	NAME	REMARKS	QUAN
1	34235	BRACKET	LIFT PUMP AND FILTER	1
2	24831	PUMP	FUEL LIFT WITH FILTER 12VDC	1
3	31753	WASHER	FLAT 1/4	2
4	31752	LOCKWASHER	1/4	2
5	31506	CAPSCREW	1/4NC X 1-1/4	2
6	30548	FILTER	LIFT PUMP INCL GASKET	1
7	33792	MAGNET	LIFT PUMP	1
8		GASKET	LIFT PUMP-SEE REF 6	1
9	15289	ADAPTER	INCLUDED WITH HOSE	1
10	30025	HOSE	FUEL SUPPLY 1/8NPT	1
11	13340	ELBOW	1/8NPT STREET	1
12	22513	ELBOW	1/8NPT TO HOSE	1
13	34614	HOSE	LIFT PUMP TO FUEL FILTER INCL REF 12	1
14	24959	CAPSCREW	M12 X 1.25 X 25 DIN 961	2
15	31792	LOCKWASHER	M12 DIN 127	2
16	34420	LINE	FILTER TO INJECTION PUMP	1
17	24972	WASHER	M14 ALUMINUM	2
18	24984	BOLT	BANJO	2
19	30291	WASHER	BANJO M14	4
20	32406	KIT	O-RING	1
21	30200	ELEMENT	FUEL FILTER INCL O-RINGS	1
22	30199	CUP	FUEL FILTER	1
23	30212	RETAINER	FUEL FILTER CUP	1
24	31560	CAPSCREW	5/16NC X 2-1/4	2
25	31758	LOCKWASHER	5/16	2
26	31759	WASHER	FLAT 5/16	2
27	30213	SCREW	FUEL FILTER BLEED	1
28	30289	WASHER	FUEL FILTER BLEED	1
29- 1	30210	FILTER	FUEL	1
29- 2	30211	HEAD	FUEL FILTER	1
30	30291	WASHER	BANJO M14	2
31	24972	WASHER	M14 ALUMINUM	1
32	24916	BOLT	BANJO	1
33	30289	WASHER	BANJO M8	2
34	16988	BOLT	BANJO M8	1
35	34610	LINE	INJECTOR LEAK-OFF TO PUMP	1
36	34857	HOSE	FUEL RETURN	1
37- 1	24600	UNION	COMPRESSION INCL NUTS AND FERRULES	1
37- 2	13344	NUT		2
37- 3	13343	FERRULE		2

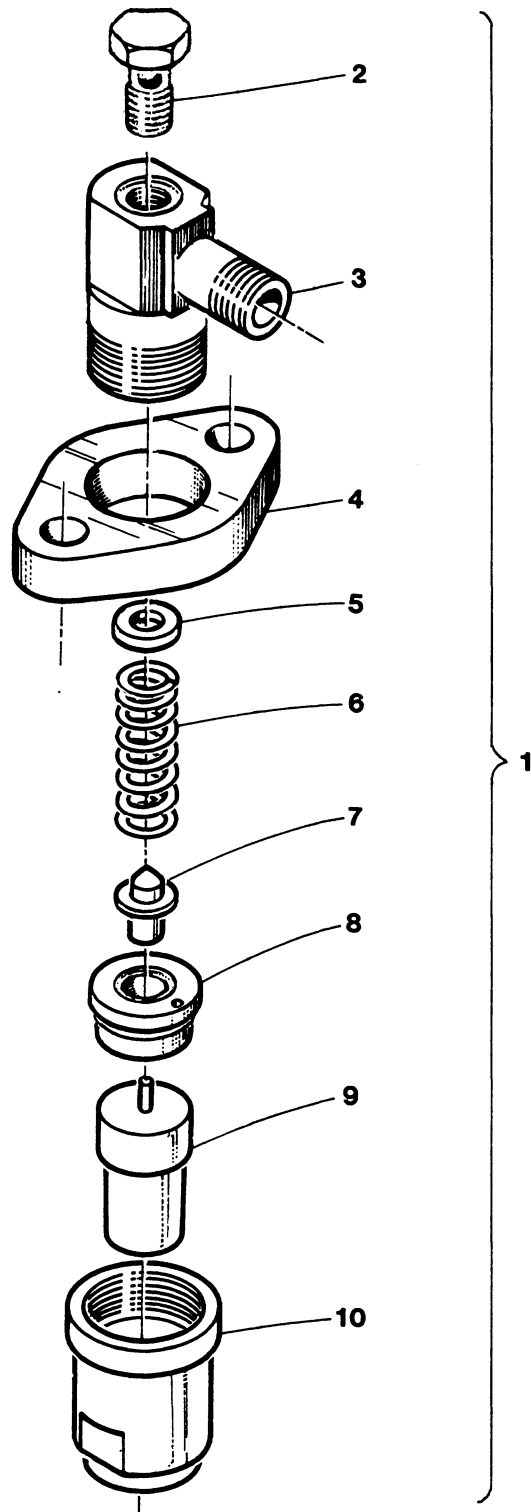
WESTERBEKE BC-6KW - BT-8KW FUEL SYSTEM



WESTERBEKE BC-6KW - BT-8KW - FUEL SYSTEM

REF	PN	NAME	REMARKS	QUAN
38	18804	CAPSCREW	M6 X 20 DIN 933	2
39	30315	CLAMP	FUEL LINE	2
40	30316	CLAMP	FUEL LINE	2
41	30569	LINE	INJECTOR LEAK-OFF	1
42	16988	BOLT	BANJO M8	3
43	30289	WASHER	BANJO M8	6
44	30538	INJECTOR	FUEL	3
45	30193	GASKET	INJECTOR	3
46	30571	LINE	INJECTOR 1	1
47	30572	LINE	INJECTOR 2	1
48	30573	LINE	INJECTOR 3	1
50	17196	CAPSCREW	M8 X 20 DIN 933	4
51	30549	PUMP	FUEL INJECTION	1
52- 1	30560	SHIM	0.2MM	AR
52- 2	30561	SHIM	0.3MM	AR
52- 3	30562	SHIM	0.4MM	AR
52- 4	30563	SHIM	0.5MM	AR
52- 5	30564	SHIM	0.6MM	AR
52- 6	30565	SHIM	0.7MM	AR
52- 7	30566	SHIM	0.8MM	AR
52- 8	30567	SHIM	0.9MM	AR
52- 9	30568	SHIM	1.0MM	AR
53	33093	KIT	FUEL HARDWARE	1

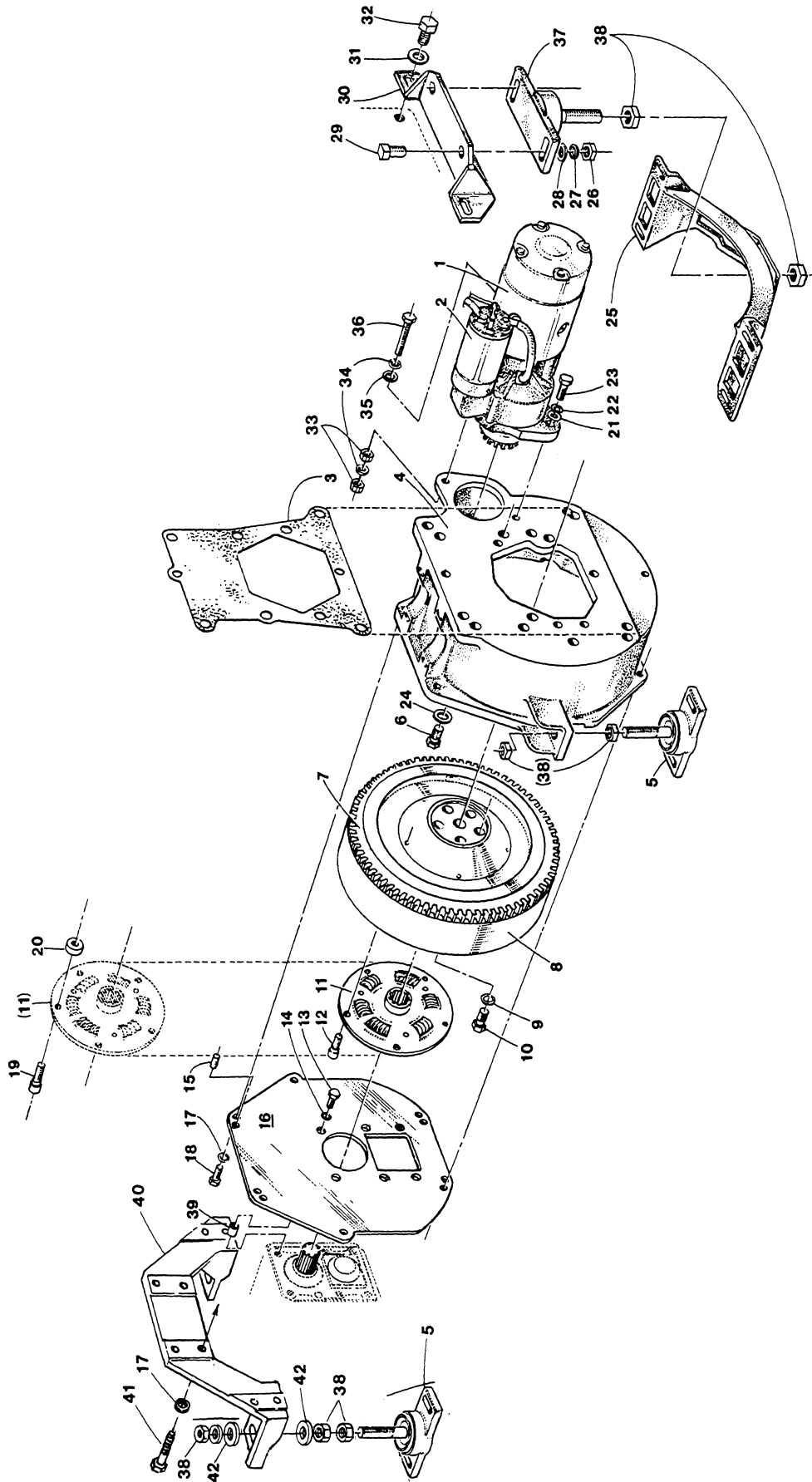
WESTERBEKE 13-18-21-27-33 - FUEL INJECTOR



WESTERBEKE 13-18-21-27-33 - FUEL INJECTOR

REF	P N	NAME	REMARKS	QUAN
1	30538	INJECTOR	ASSEMBLY	1
2	16988	BOLT	BANJO M8	1
3	30684	BODY		1
4	30629	FLANGE		1
5- 1	30621	SHIM	1.30MM	AR
5- 2	30622	SHIM	1.35MM	AR
5- 3	30623	SHIM	1.40MM	AR
5- 4	30624	SHIM	0.90MM	AR
5- 5	30625	SHIM	1.00MM	AR
5- 6	30626	SHIM	1.10MM	AR
5- 7	30627	SHIM	1.20MM	AR
5- 8	30628	SHIM	0.10MM	AR
6	30598	SPRING	PRESSURE	1
7	30597	PIN	PRESSURE	1
8	30599	SPACER		1
9	30297	NOZZLE	ASSEMBLY	1
10	30630	NUT	RETAINING	1

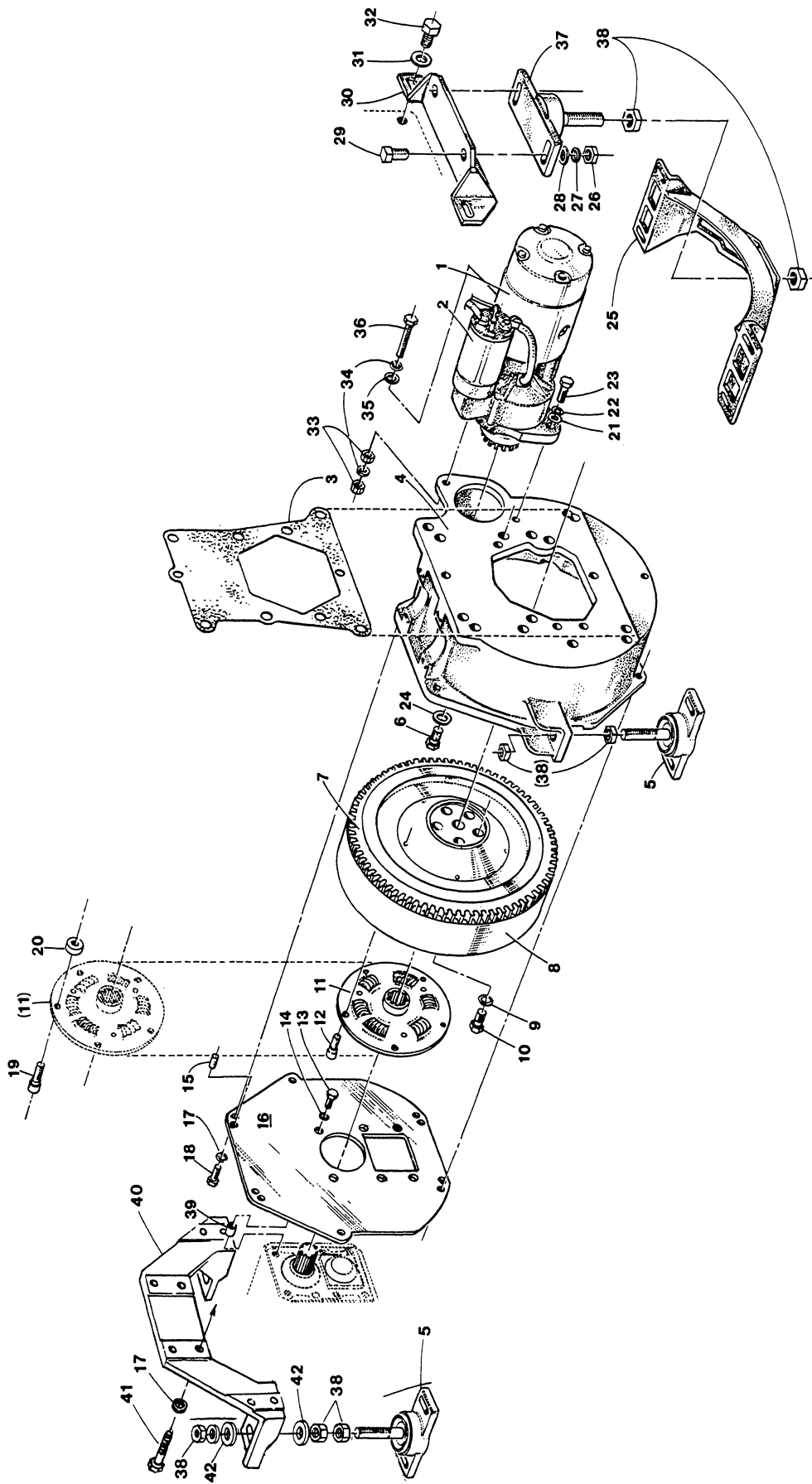
WESTERBEKE 13-21-27-33 - BACK END - MARINE MOUNTING SYSTEM



WESTERBEKE 13-21-27-33 - BACK END - MARINE MOUNTING SYSTEM

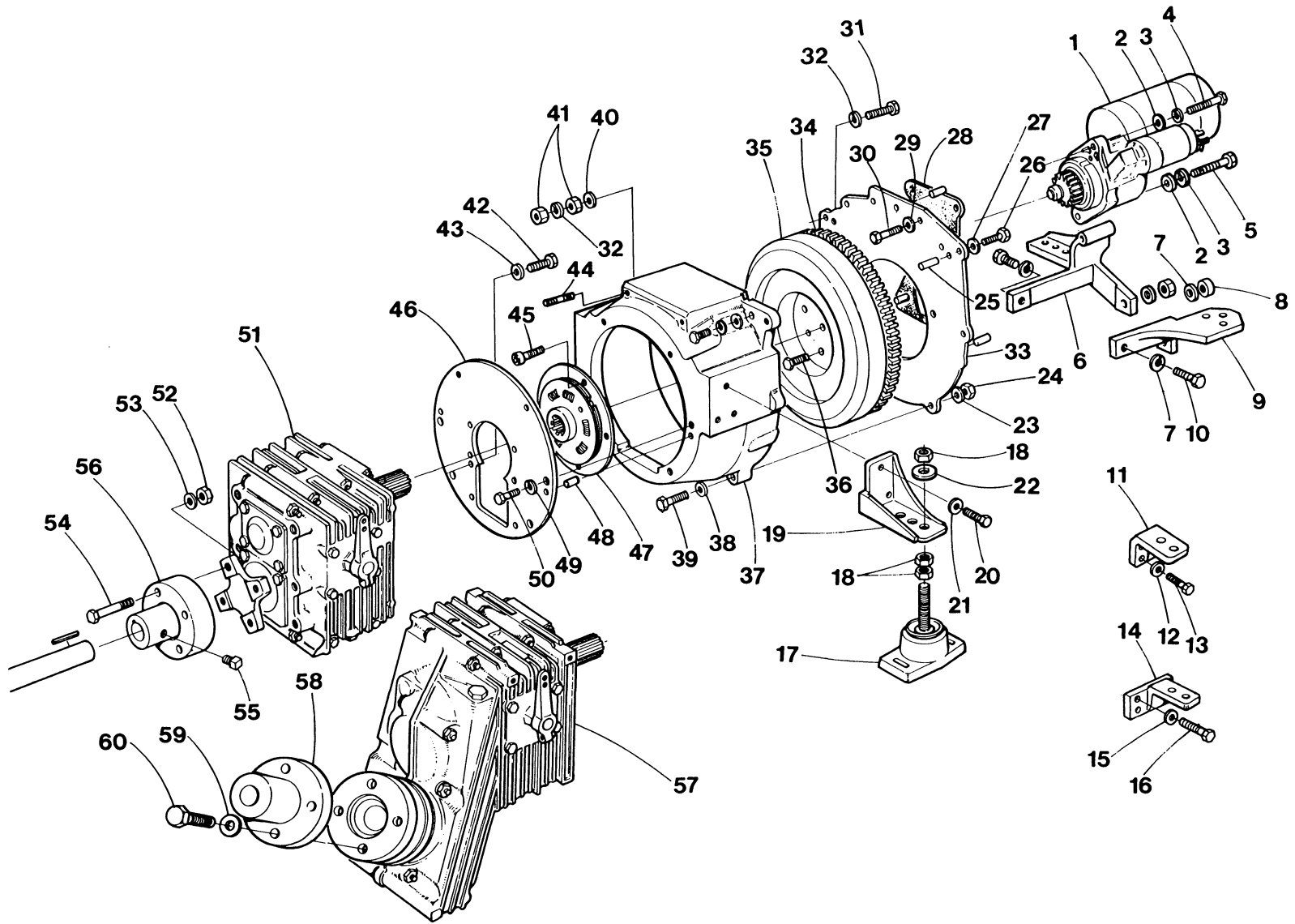
REF	PN	NAME	REMARKS	QUAN
1	30593	MOTOR	STARTER	1
2	30245	SOLENOID	STARTER	1
3- 1	30336	GASKET	BLOCK TO BELLHOUSING-W13	1
3- 2	30491	GASKET	BLOCK TO BELLHOUSING-W21-27	1
3- 3	30400	GASKET	BLOCK TO BELLHOUSING-W33	1
4	24148	HOUSING	FLYWHEEL	1
5- 1	34405	ISOLATOR	REAR-W13-21	2
5- 2	32013	ISOLATOR	REAR-W27-33	2
6- 1	31228	CAPSCREW	M10X1.25X30 DIN 961-W13	7
6- 2	24960	CAPSCREW	M12X1.25X35 DIN 961-W21-27	6
6- 3	32014	CAPSCREW	M12X1.25X30 JIS-W33	8
7	30230	GEAR	RING	1
8- 1	24908	FLYWHEEL	WITH RING GEAR-W13	1
8- 2	24296	FLYWHEEL	WITH RING GEAR-W21-27	1
8- 3	24909	FLYWHEEL	WITH RING GEAR-W33	1
9	30238	WASHER	LOCKING 30235 BOLT ONLY	5
10- 1	30235	BOLT	FLYWHEEL	5
10- 2	33279	BOLT	FLYWHEEL WITH FLANGE	5
10- 3		NOTE	USE SET OF IDENTICAL STYLE	
10- 4			30235 TORQUE 84-90 LB-FT	
10- 5			33279 TORQUE 95-100 LB-FT	
11- 1	19398	DAMPER	HBW TRANSMISSION	1
11- 2	30940	DAMPER	BW TRANSMISSION	1
11- 3	30789	DAMPER	S1000 TRANSMISSION	1
12	24778	CAPSCREW	DAMPER TO FLYWHEEL	5
13- 1	20650	CAPSCREW	M8X18 DIN 933-HBW	6
13- 2	18813	CAPSCREW	M10X20 DIN 933-HBW V-DRIVE	6
13- 3	17196	CAPSCREW	M8 X 20 DIN 933-BW	6
14- 1	31786	LOCKWASHER	M8 DIN 125-HBW-BW	6
14- 2	31790	LOCKWASHER	M10 DIN 137B-HBW V-DRIVE	6
15	19039	DOWEL	ADAPTER TO HOUSING	2
16- 1	24987	ADAPTER	BW-HBW TRANSMISSION	1
16- 2	30061	ADAPTER	HBW V-DRIVE TO HOUSING	1
16- 3	24230	ADAPTER	S1000 TRANSMISSION	1
17	31764	LOCKWASHER	3/8	6
18- 1	31605	CAPSCREW	3/8NC X 1-W13-21-27-33	6
18- 2	31605	CAPSCREW	3/8NC X 1-RD60-RD80	2
19	24990	CAPSCREW	BW3 & EARLY HBW50 WITH SHORT INPUT SHAFT	5
20	24836	SPACER	BW3 & EARLY HBW50 WITH SHORT INPUT SHAFT	5
21	31765	WASHER	FLAT 3/8	1
22	31764	LOCKWASHER	3/8	1
23	31606	CAPSCREW	3/8NC X 1-1/4	1
24- 1	31789	WASHER	M10 DIN 125	7
24- 2	31793	WASHER	M12 DIN 125-W21-27	6
24- 3	31793	WASHER	M12 DIN 125-W33	8
25- 1	24319	SADDLE	FRONT MOUNT-W13-21-27-33	1
25- 2	31338	SADDLE	FRONT MOUNT-RD60-RD80	1
26	31762	NUT	3/8NC	2
27	31764	LOCKWASHER	3/8	2
28	31765	WASHER	3/8	2
29	31606	CAPSCREW	3/8NC X 1-1/4	2

WESTERBEKE 13-21-27-33 - BACK END - MARINE MOUNTING SYSTEM



WESTERBEKE 13-21-27-33 - BACK END - MARINE MOUNTING SYSTEM

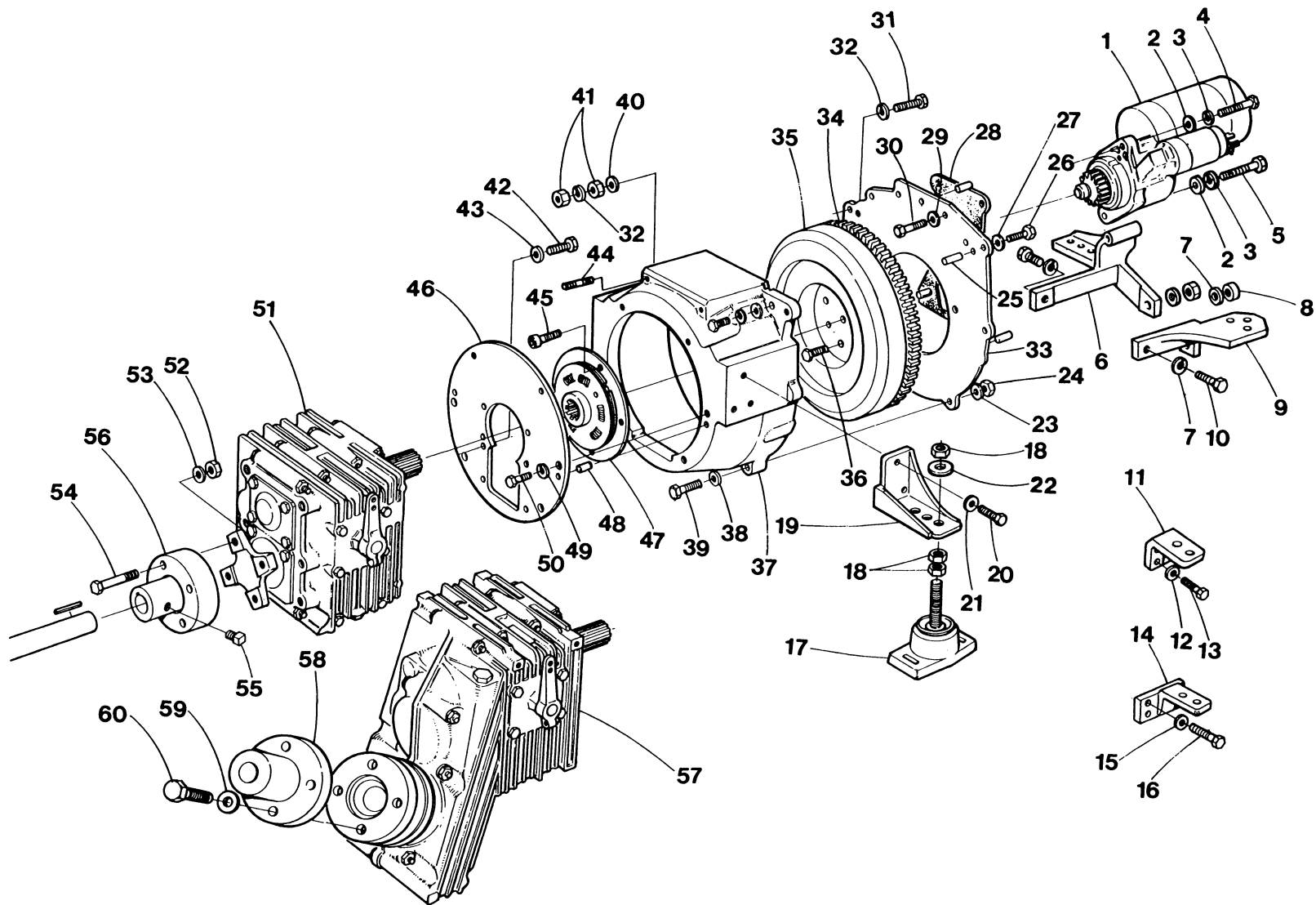
REF	PN	NAME	REMARKS	QUAN
30- 1	24315	MOUNT	FRONT-W13	1
30- 2	31493	MOUNT	FRONT-W21-27-33	1
30- 3	32108	MOUNT	FRONT CENTER-NO SADDLE-W21-27-33	1
30- 4	32110	MOUNT	FRONT-RD60-RD80	1
31	31797	LOCKWASHER	M14-W21-27-33	2
32- 1	31223	CAPSCREW	M14 X 1.5 X 30 DIN 961-W21-27-33	2
32- 2	24957	NUT	M12 X 1.25 DIN 934-W13	2
32- 3	31280	STUD	M12 X 1.25 X 60-W13	2
33	31762	NUT	3/8NC	2
34	31764	LOCKWASHER	3/8	2
35	31765	WASHER	FLAT 3/8	1
36	31274	CAPSCREW	3/8NC X 2 FULLY THREADED FOR BATTERY GND	1
37- 1	34405	ISOLATOR	FRONT-W13-21-RD60	1
37- 2	32013	ISOLATOR	FRONT-W27-33-RD80	1
38- 1	31826	NUT	5/8NF-JAM	9
38- 2	31827	LOCKWASHER	5/8	3
39	31377	DOWEL	TUBULAR-BW3	2
40	31340	MOUNT	REAR-RD60-RD80	1
41	31607	CAPSCREW	3/8NC X 1-1/2-RD60-RD80	4
42	31828	WASHER	FLAT 5/8	4



WESTERBEKE 13A-18-21A-27A-33A - BACK END - MOUNTING SYSTEM

WESTERBEKE 13A-18-21A-27A-33A - BACK END - MOUNTING SYSTEM

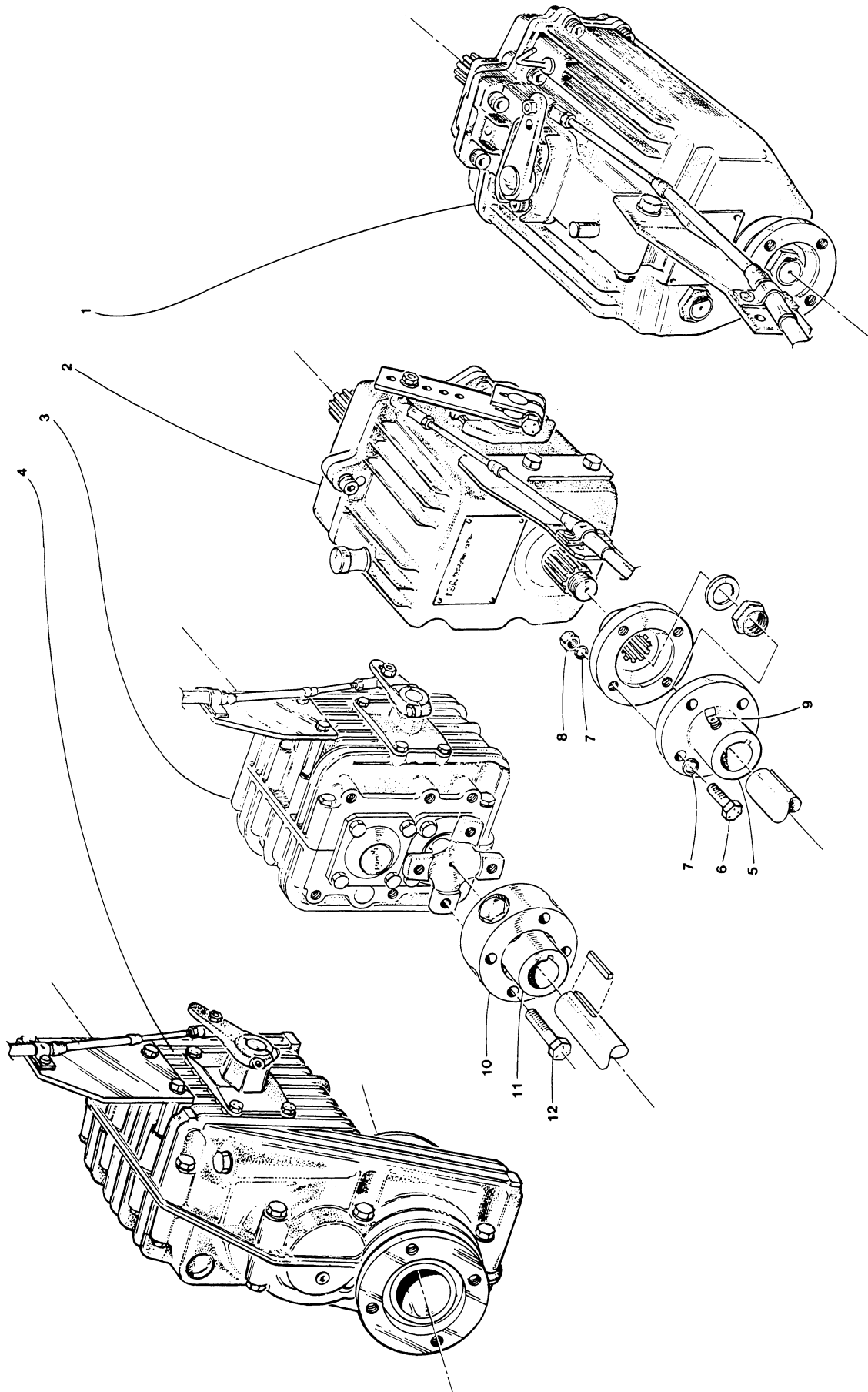
REF	PN	NAME	REMARKS	QUAN
1- 1	34552	MOTOR	STARTER-W13A-18-21A	1
1- 2	30593	MOTOR	STARTER-W27A-33A	1
2	31789	WASHER	M10 DIN 125	2
3	19262	LOCKWASHER	M10 DIN 127	2
4- 1	34589	CAPSCREW	M10 X 30 DIN 933	1
4- 2	35307	CAPSCREW	M10 X 65 DIN 912-W33A	1
5- 1	34590	CAPSCREW	M10 X 40 DIN 933	1
5- 2	34589	CAPSCREW	M10 X 30 DIN 933-W33A	1
6	34756	MOUNT	FRONT LEFT-W13A	1
7	31792	LOCKWASHER	M12 DIN 127	4
8	24957	NUT	M12 X 1.25 DIN 934-W13A	2
9	34758	MOUNT	FRONT RIGHT-W13A	1
10	31834	CAPSCREW	M12 X 1.25 X 30 DIN 961	2
11	33920	MOUNT	FRONT-W18-21A-27A	2
12	31792	LOCKWASHER	M12 DIN 127	4
13	32014	CAPSCREW	M12 X 1.25 X 30 JIS	4
14	34728	MOUNT	FRONT-W33A	2
15	31792	LOCKWASHER	M12 DIN 127	8
16	32014	CAPSCREW	M12 X 1.25 X 30 JIS	8
17- 1	34405	ISOLATOR	W13A-18-21A	4
17- 2	32013	ISOLATOR	W27A-33A	4
18	31826	NUT	5/8NF-JAM	12
19	33890	MOUNT	REAR	2
20	13629	CAPSCREW	M10 X 25 DIN 933	6
21	19262	LOCKWASHER	M10 DIN 127	6
22	31827	LOCKWASHER	5/8	4
23	19262	LOCKWASHER	M10 DIN 127	2
24	15887	NUT	M10 DIN 934	2
25	13919	DOWEL	BACKPLATE TO HOUSING	2
26	34589	CAPSCREW	M10 X 30 DIN 933	4
27	19262	LOCKWASHER	M10 DIN 127	4
28- 1	30336	GASKET	BACKPLATE TO BLOCK-W13A	1
28- 2	30491	GASKET	BACKPLATE TO BLOCK-W18-21A-27A	1
28- 3	30400	GASKET	BACKPLATE TO BLOCK-W33A	1
29- 1	19262	LOCKWASHER	M10 DIN 127-W13A	9
29- 2	31792	LOCKWASHER	M12 DIN 127-W18-21A-27A	6
29- 3	31792	LOCKWASHER	M12 DIN 127-W33A	7
30- 1	24952	CAPSCREW	M10 X 1.25 X 25 DIN 961-W13A	9
30- 2	31834	CAPSCREW	M12 X 1.25 X 30 DIN 961-W18-21A-27A	8
30- 3	31834	CAPSCREW	M12 X 1.25 X 30 DIN 961-W33A	7
31- 1	34833	CAPSCREW	M10 X 60 DIN 912	1
31- 2	34589	CAPSCREW	M10 X 30 DIN 933-W33A	1
32	19262	LOCKWASHER	M10 DIN 127	2
33- 1	34740	BACKPLATE	W13A	1
33- 2	34240	BACKPLATE	W18-21A	1
33- 3	34556	BACKPLATE	W27A-33A	1
34- 1	32996	GEAR	RING-W13A-18-21A	1
34- 2	30230	GEAR	RING-W27A-33A	1
35- 1	34736	FLYWHEEL	WITH RING GEAR-W13A	1
35- 2	34656	FLYWHEEL	WITH RING GEAR-W18-21A	1
35- 3	34666	FLYWHEEL	WITH RING GEAR-W27A	1
35- 4	34709	FLYWHEEL	WITH RING GEAR-W33A	1



WESTERBEKE 13A-18-21A-27A-33A - BACK END - MOUNTING SYSTEM

REF	PN	NAME	REMARKS	QUAN
36	33279	BOLT	FLYWHEEL WITH FLANGE	5
37	34682	HOUSING	FLYWHEEL	1
38	31789	WASHER	M10 DIN 125	2
39	34470	CAPSCREW	M10 X 45 DIN 931	2
40	31789	WASHER	M10 DIN 125	1
41	15887	NUT	M10 DIN 934	2
42- 1	20650	CAPSCREW	M 8 X 18 DIN 933-HBW	6
42- 2	18813	CAPSCREW	M10 X 20 DIN 933-HBW V-DRIVE	6
43- 1	31786	LOCKWASHER	M 8 DIN 127-HBW	6
43- 2	19262	LOCKWASHER	M10 DIN 127-HBW V-DRIVE	6
44	15830	STUD	M 8 X 25 DIN 939	2
45	24778	CAPSCREW	DAMPER TO FLYWHEEL	5
46- 1	31267	ADAPTER	HBW TRANSMISSION	1
46- 2	30063	ADAPTER	HBW V-DRIVE	1
47- 1	19398	DAMPER	HBW TRANSMISSION	1
47- 2	30789	DAMPER	S1500 TRANSMISSION	1
47- 3	30940	DAMPER	BW TRANSMISSION	1
48	19039	DOWEL	ADAPTER TO HOUSING	2
49	19262	LOCKWASHER	M10 DIN 127	6
50	13629	CAPSCREW	M10 X 25 DIN 933	6
51- 1	24629	HBW GEAR	MODEL 50 2.0 TO 1-W13A-18-21A	1
51- 2	31247	HBW GEAR	MODEL 50 2.7 TO 1-W13A	1
51- 3	30140	HBW GEAR	MODEL 100 1.5 TO 1	1
51- 4	24630	HBW GEAR	MODEL 100 1.8 TO 1-W27A-33A	1
51- 5	30095	HBW GEAR	MODEL 100 2.7 TO 1-W18-21A	1
51- 6	30049	HBW GEAR	MODEL 150 2.6 TO 1-W27A-33A	1
52	31762	NUT	3/8NC	4
53	31764	LOCKWASHER	3/8NC	4
54	33537	CAPSCREW	3/8NC X 1-1/8	4
55- 1	23450	SETSCREW	COUPLING 7/16NC X 1	2
55- 2	23651	SETSCREW	COUPLING 3/8NC X 3/4	2
55- 3	23652	SETSCREW	COUPLING 3/8NC X 1	2
56- 1	23679	COUPLING	HBW-BW-S1500-BORE 0.75	1
56- 2	23680	COUPLING	HBW-BW-S1500-BORE 0.875	1
56- 3	23681	COUPLING	HBW-BW-S1500-BORE 1.0	1
56- 4	23682	COUPLING	HBW-BW-S1500-BORE 1.125	1
56- 5	23683	COUPLING	HBW-BW-S1500-BORE 1.25	1
56- 6	23684	COUPLING	HBW-BW-S1500-BORE 1.375	1
56- 7	23685	COUPLING	HBW-BW-S1500-BORE 1.5	1
57- 1	31249	HBW GEAR	V-DRIVE 1.8 TO 1-W18-21A-27A-33A	1
57- 2	30048	HBW GEAR	V-DRIVE 2.1 TO 1-W18-21A-27A-33A	1
57- 3	31250	HBW GEAR	V-DRIVE 3.0 TO 1-W18-21A-27A-33A	1
58- 1	23706	COUPLING	HBW V-DRIVE-BORE 0.75	1
58- 2	23707	COUPLING	HBW V-DRIVE-BORE 0.875	1
58- 3	23708	COUPLING	HBW V-DRIVE-BORE 1.0	1
58- 4	23709	COUPLING	HBW V-DRIVE-BORE 1.125	1
58- 5	23710	COUPLING	HBW V-DRIVE-BORE 1.25	1
58- 6	23711	COUPLING	HBW V-DRIVE-BORE 1.375	1
58- 7	23712	COUPLING	HBW V-DRIVE-BORE 1.5	1
59	31790	LOCKWASHER	M10 DIN 137B	4
60	18813	CAPSCREW	M10 X 20 DIN 933	4

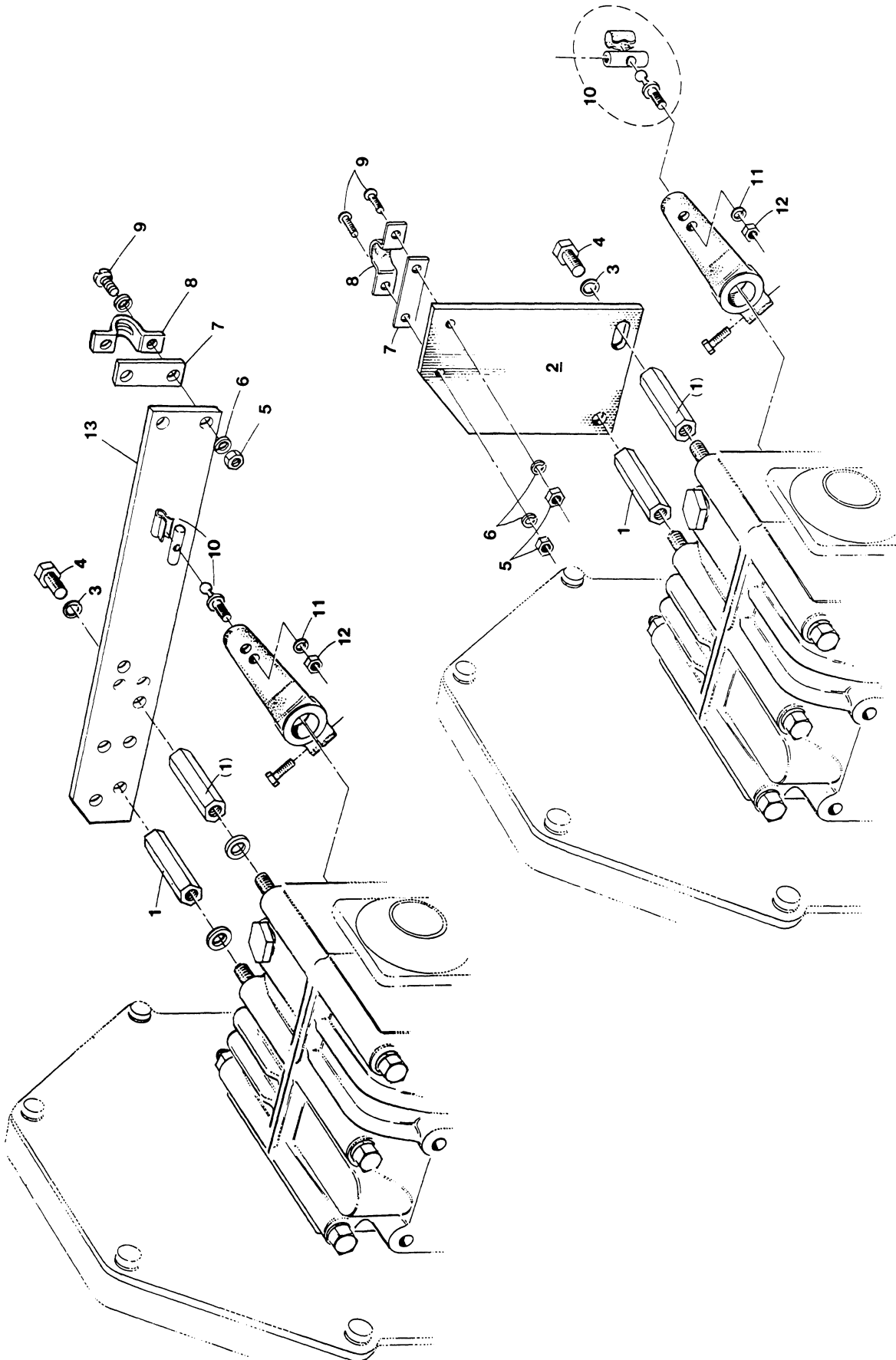
WESTERBEKE 13-21-27-33 - TRANSMISSION - COUPLING - SHIFT CONNECTION



WESTERBEKE 13-21-27-33 - TRANSMISSION - COUPLING - SHIFT CONNECTION

REF	PN	NAME	REMARKS	QUAN
1	30951	BW GEAR	2.0 TO 1-W27-33	1
2	30949	BW GEAR	2.0 TO 1-W13	1
3- 1	24629	HBW GEAR	MODEL 50 2.0 TO 1-W13-21	1
3- 2	31247	HBW GEAR	MODEL 50 2.7 TO 1-W13	1
3- 3	30140	HBW GEAR	MODEL 100 1.5 TO 1-W13-21-27-33	1
3- 4	24630	HBW GEAR	MODEL 100 1.8 TO 1-W27-33	1
3- 5	30095	HBW GEAR	MODEL 100 2.7 TO 1-W21	1
3- 6	30049	HBW GEAR	MODEL 150 2.6 TO 1-W27-33	1
4- 1	31249	HBW GEAR	V-DRIVE 1.8 TO 1	1
4- 2	30048	HBW GEAR	V-DRIVE 2.1 TO 1	1
4- 3	31250	HBW GEAR	V-DRIVE 3.0 TO 1	1
5- 1	23679	COUPLING	BW-HBW-S1000-BORE 0.75	1
5- 2	23680	COUPLING	BW-HBW-S1000-BORE 0.875	1
5- 3	23681	COUPLING	BW-HBW-S1000-BORE 1.0	1
5- 4	23682	COUPLING	BW-HBW-S1000-BORE 1.125	1
5- 5	23683	COUPLING	BW-HBW-S1000-BORE 1.25	1
5- 6	23684	COUPLING	BW-HBW-S1000-BORE 1.375	1
5- 7	23685	COUPLING	BW-HBW-S1000-BORE 1.5	1
5- 8	23706	COUPLING	HBW V-DRIVE-BORE 0.75	1
5- 9	23707	COUPLING	HBW V-DRIVE-BORE 0.875	1
5-10	23708	COUPLING	HBW V-DRIVE-BORE 1.0	1
5-11	23709	COUPLING	HBW V-DRIVE-BORE 1.125	1
5-12	23710	COUPLING	HBW V-DRIVE-BORE 1.25	1
5-13	23711	COUPLING	HBW V-DRIVE-BORE 1.375	1
5-14	23712	COUPLING	HBW V-DRIVE-BORE 1.5	1
6- 1	33537	CAPSCREW	3/8NC X 1-1/8	4
6- 2	18813	CAPSCREW	M10 X 20 DIN 933-HBW V-DRIVE	4
7- 1	31764	LOCKWASHER	3/8	8
7- 2	31762	WASHER	FLAT 3/8	4
7- 3	31790	LOCKWASHER	M10 DIN 137B-HBW V-DRIVE	4
8	31762	NUT	3/8NC	4
9- 1	23450	SETSCREW	COUPLING 7/16NC X 1	2
9- 2	23651	SETSCREW	COUPLING 3/8NC X 3/4	2
9- 3	23652	SETSCREW	COUPLING 3/8NC X 1	2
10	11877	FLANGE	FLEXIBLE COUPLING-BW-HBW-S1000	1
11- 1	11878	HUB	FLEXIBLE COUPLING-BORE 0.875	1
11- 2	11879	HUB	FLEXIBLE COUPLING-BORE 1.0	1
11- 3	11880	HUB	FLEXIBLE COUPLING-BORE 1.125	1
11- 4	11881	HUB	FLEXIBLE COUPLING-BORE 1.25	1
11- 5	11882	HUB	FLEXIBLE COUPLING-BORE 1.375	1
11- 6	11883	HUB	FLEXIBLE COUPLING-BORE 1.5	1
12	31612	CAPSCREW	3/8NC X 2-3/4	4
		NOTE	SEE NEXT PAGE FOR SHIFTING BRACKET	

WESTERBEKE SHIFT CONNECTION ON HBW



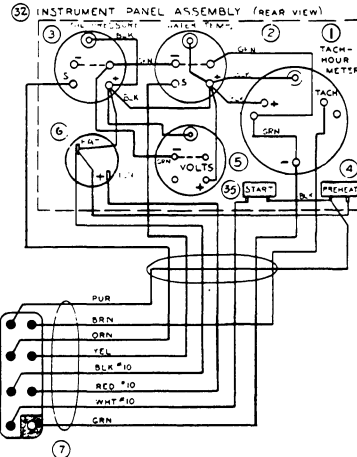
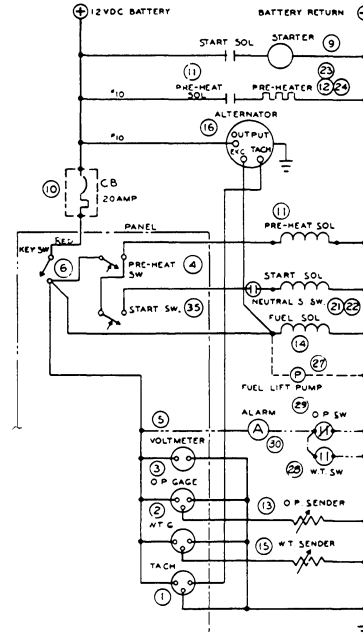
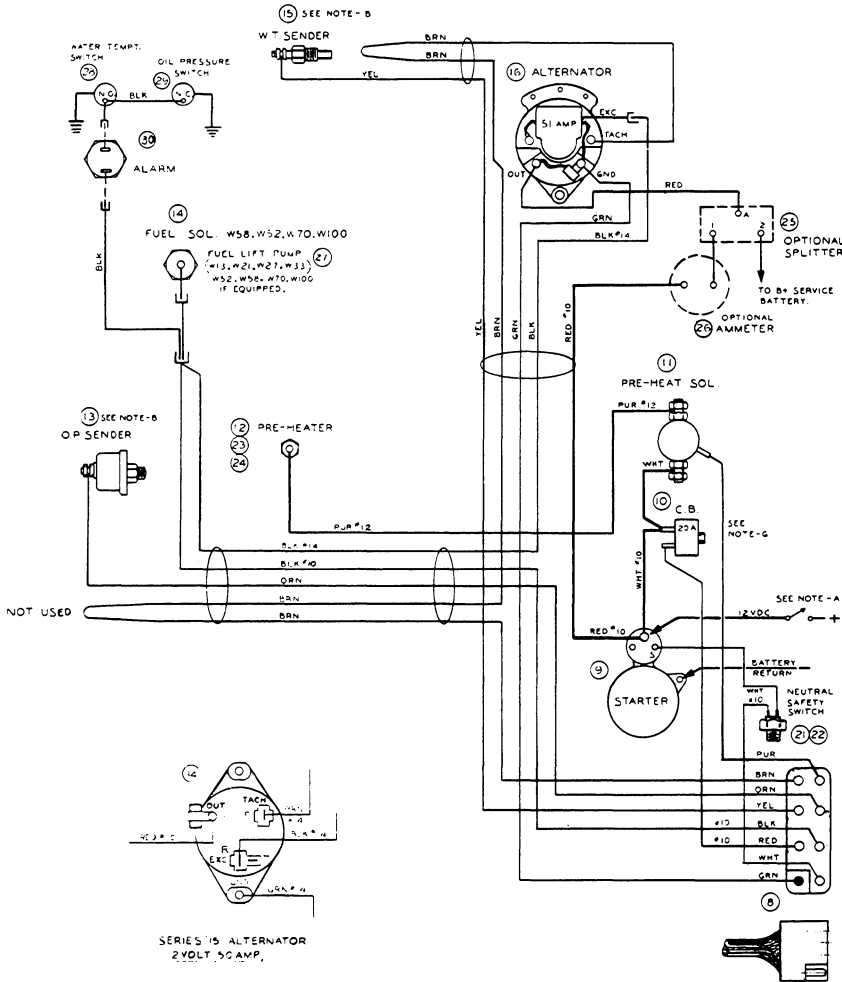
WESTERBEKE SHIFT CONNECTION ON HBW

REF	PN	NAME	REMARKS	QUAN
1	30756	NUT	PILLAR-M8	2
2	30181	BRACKET	SHIFT CABLE-TOP ENTRY-HBW GEAR	1
3	31786	LOCKWASHER	M8 DIN 127	2
4	13630	CAPSCREW	M8 X 25 DIN 933	2
5	31847	NUT	10-32	2
6	31849	LOCKWASHER	10	2
7	13870	SHIM	CABLE CLAMP	1
8	13325	CLAMP	CABLE	1
9	31873	SCREW	10-32 X 5/8	2
10	33482	BALL JOINT		1
11	31752	LOCKWASHER	1/4	1
12	31754	NUT	1/4NF	1
13	32161	BRACKET	SHIFT CABLE-REAR ENTRY-HBW GEAR	1

WESTERBEKE 13-21-27-33 - ELECTRICAL SYSTEM

SCHMATIC DIAGRAM

WIRING DIAGRAM



NOTES:

NOTES ON BUILDER/OWNER'S RESPONSIBILITY:

- ① AN ON-OFF SWITCH MUST BE INSTALLED IN THIS LINE TO DISCONNECT THE STARTER CIRCUIT FROM THE BATTERY IN AN EMERGENCY (WHEN LEAVING THE BOAT). LIGHT DIESEL ENGINE STARTERS TYPICALLY DRAW 500 TO 800 AMPS WHEN CRANKING. THE DURATION OF INDIVIDUAL CRANKING CYCLES SHOULD NOT EXCEED 30 SECONDS. A SWITCH WITH CONTINUOUS RATING OF 175 AMPS AT 12 VDC WILL NORMALLY SERVE THESE FUNCTIONS, BUT SUCH A SWITCH MUST NEVER BE USED TO MAKE THE STARTER CIRCUIT.

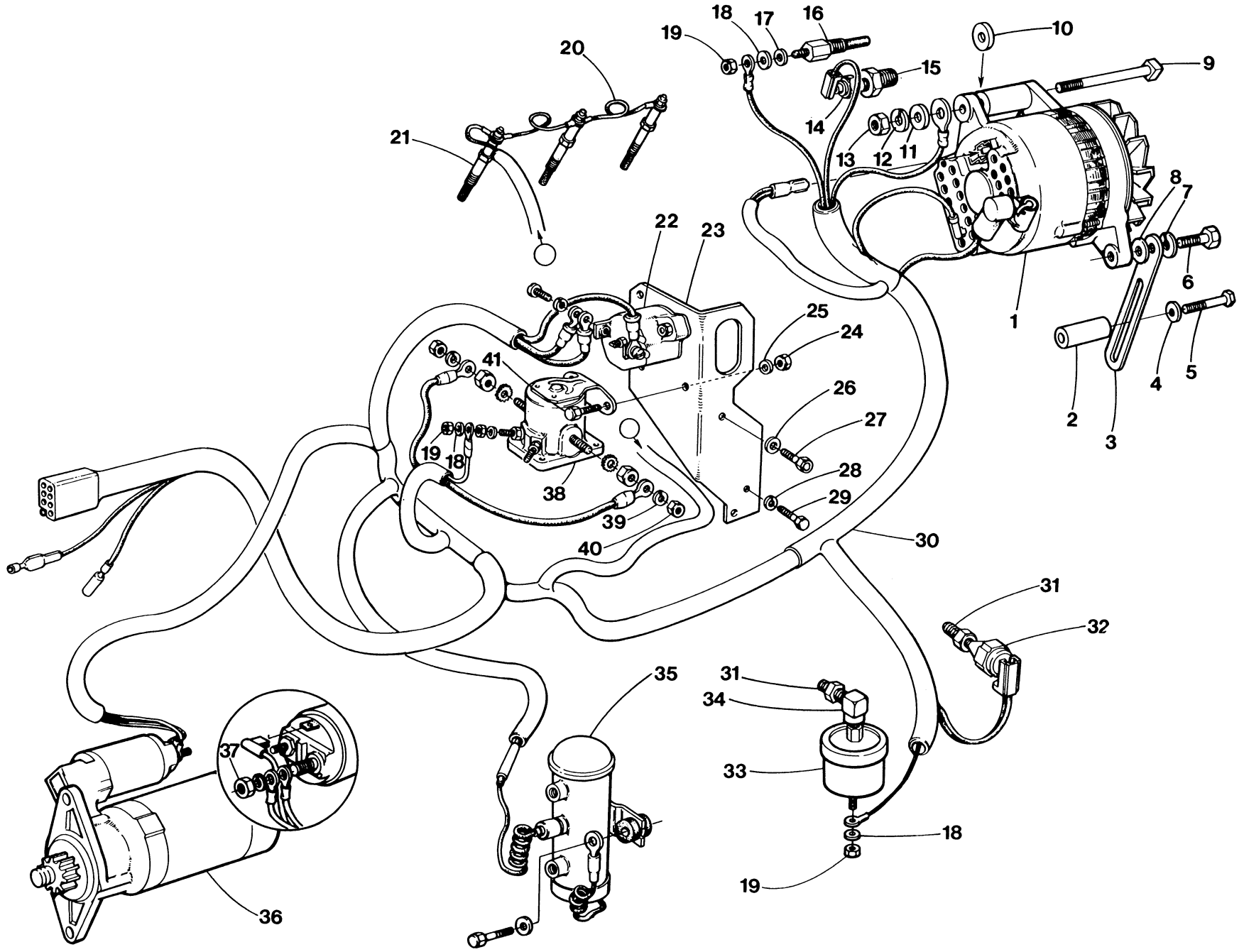
OTHER NOTES:

- ② WARNING; SENDER CONNECTION: CONTACT WITH B+ MAY DAMAGE SENDER.
- ③ ALL RETURNS ARE THROUGH ENGINE BLOCK.
- ④ FOR WIRING OF AUXILIARY ALTERNATORS SEE THE FOLLOWING DIAGRAMS:
MOTOROLA 65 AMP, 11232
MOTOROLA 150 AMP, 11231
LEECE-NEVILLE 53 AMP, 16335
LEECE-NEVILLE 105 AMP, 16616
- ⑤ IF ADDITIONAL PRESSURE SWITCHES ARE REQ'D TO START BOAT ACCESSORIES, A FLEXIBLE HOSE MUST BE RUN FROM THE OIL PRESSURE MANIFOLD TO A NEARBY BULKHEAD AND ALL PRESSURE SWITCHES MOUNTED AT THE BULKHEAD.
- ⑥ APPLY SILASTIC OR TIGHT WOUND PLASTIC/SPICE ELECTRICAL TAPE AROUND CONNECTORS CONNECTED.
- ⑦ CAUTION: THIS PRODUCT IS PROTECTED BY A MANUAL RESET CIRCUIT BREAKER LOCATED NEAR THE STARTER AND AS CLOSE TO THE SOURCE OF CURRENT AS POSSIBLE. EXCESSIVE CURRENT DRAIN ANYWHERE IN THE INSTRUMENT PANEL, WIRING OR ENGINE WILL CAUSE THE BREAKER TO TRIP. IN THIS EVENT, MOST ENGINE MODELS WILL SHUT DOWN BECAUSE THE OPENED BREAKER DISCONNECTS THEIR FUEL SUPPLY. THEREFORE THE BUILDER/OWNER MUST BE SURE THAT THE INSTRUMENT PANEL, WIRING AND ENGINE ARE INSTALLED TO PREVENT CONTACT BETWEEN ELECTRICAL DEVICES AND SALT WATER.

SYM	DATE	REVISION	AUTH
A	11-24-85	UPDATED	JU

WESTERBEKE 13-21-27-33 - ELECTRICAL SYSTEM

REF	PN	NAME	REMARKS	QUAN
1	11917	METER	TACHOMETER-HOUR	1
2	35108	METER	WATER TEMPERATURE	1
3	35110	METER	OIL PRESSURE 0-100 PSI	1
4	33764	SWITCH	PUSH BUTTON PRE-HEAT	1
5	35111	VOLTMETER	12 VDC	1
6	33693	SWITCH	KEY OFF-CN	1
7	30148	CABLE	PANEL	1
8- 1	30732	HARNESS	ENGINE-W13	1
8- 2	30733	HARNESS	ENGINE-W21	1
8- 3	30733	HARNESS	ENGINE-W27	1
8- 4	31126	HARNESS	ENGINE-W33	1
9	30593	MOTOR	STARTER	1
10	24683	BREAKER	CIRCUIT-20 AMP	1
11	24639	SOLENOID	PRE-HEAT	1
12- 1	24353	GLOWPLUG	W13	2
12- 2	24353	GLOWPLUG	W21	3
12- 3	24353	GLOWPLUG	W27-33	4
12- 4	30221	WIRE	GLOWPLUG CONNECTION-W13	1
12- 5	30221	WIRE	GLOWPLUG CONNECTING-W21	2
12- 6	30221	WIRE	GLOWPLUG CONNECTING-W27-33	3
13	24132	SENDER	OIL PRESSURE 0-100 PSI	1
15	35109	SENDER	WATER TEMPERATURE	1
25	20654	SPLITTER	ALTERNATOR OUTPUT-OPTIONAL	1
26	11581	AMMETER	0-60-0-OPTIONAL	1
27	24831	PUMP	ELECTRIC FUEL LIFT	1
28	30125	SWITCH	ALARM WATER TEMPERATURE-NO	1
29	34761	SWITCH	ALARM OIL PRESSURE-NC	1
30	13355	ALARM	BUZZER	1
31	24777	KEYSWITCH	OFF-ON-START-PUSH TO PRE-HEAT	1
32	33866	PANEL	INSTRUMENT-COMPLETE	1
33	33685	PANEL	PLATE FOR PUSH BUTTON SWITCHES	1
34	30594	ALTERNATOR	50AMP NEG GROUND WITH REGULATOR	1
35	33764	SWITCH	PUSH BUTTON START	1



WESTERBEKE 13A-18-21A-27A-33A - ELECTRICAL SYSTEM

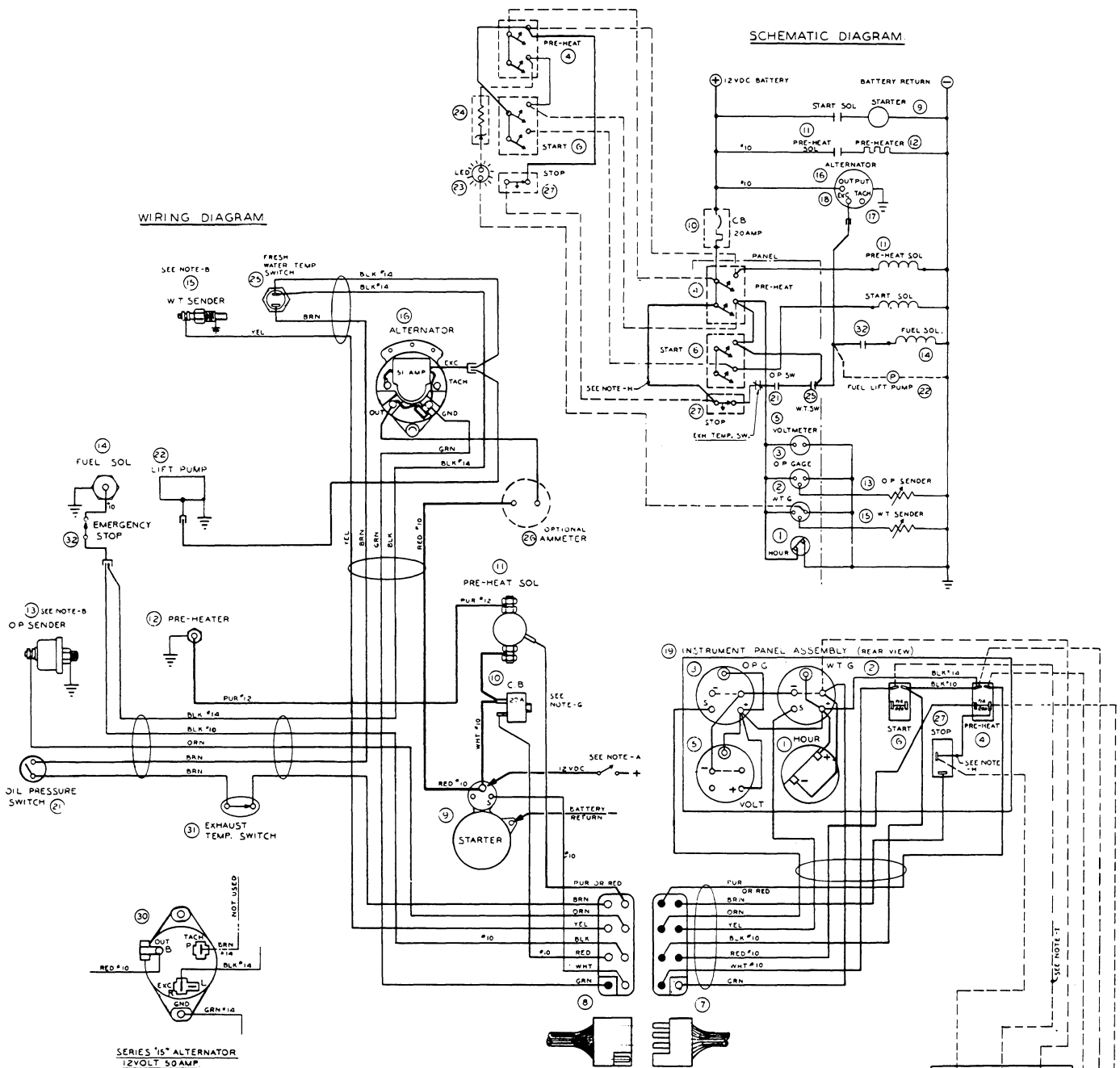
WESTERBEKE 13A-18-21A-27A-33A - ELECTRICAL SYSTEM

REF	PN	NAME	REMARKS	QUAN
1	30594	ALTERNATOR	50AMP 12 VDC	1
2	33565	SPACER	STRAP 33064	1
3- 1	30381	STRAP	ADJUSTING-W13A	1
3- 2	33064	STRAP	ADJUSTING-W18-21A-27A-33A	1
4	33381	WASHER	ADJUSTING STRAP	1
5	31816	CAPSCREW	M 8 X 100 DIN 931	1
6	16789	CAPSCREW	M 8 X 16 DIN 933	1
7	31786	LOCKWASHER	M 8 DIN 127	1
8	33381	WASHER	SPACER	1
9	32015	BOLT	ALTERNATOR MOUNTING	1
10	33381	WASHER	SPACER	1
11	31787	WASHER	M 8 DIN 125	1
12	31786	LOCKWASHER	M 8 DIN 127	1
13	18242	NUT	M 8 DIN 934	1
14	30125	SWITCH	WATER TEMPERATURE-ALARM	1
15	22131	BUSHING	1/4NPT TO 1/8NPT	1
16	35109	SENDER	WATER TEMPERATURE	1
17	31848	WASHER	FLAT 10	1
18	31849	LOCKWASHER	10	3
19	31847	NUT	10-32	3
20- 1	30221	WIRE	GLOWPLUG CONNECTING-W13A	1
20- 2	30221	WIRE	GLOWPLUG CONNECTING-W18-21A	2
20- 3	30221	WIRE	GLOWPLUG CONNECTING-W27A-33A	3
21- 1	24353	GLOWPLUG	W13A	2
21- 2	24353	GLOWPLUG	W18-21A	3
21- 3	24353	GLOWPLUG	W27A-33A	4
22- 1	24683	BREAKER	CIRCUIT 20AMP	1
22- 2	31866	SCREW	8-32 X 7/8	2
22- 3	31844	LOCKWASHER	8	2
23- 1	34958	BRACKET	SOLENOID & CIRCUIT BREAKER-W13A	1
23- 2	34418	BRACKET	SOLENOID&CIRCUIT BREAKER-W18-21A-27A-33A	1
24	15812	NUT	M 6 DIN 934	2
25	31783	LOCKWASHER	M 6 DIN 127	2
26	19262	LOCKWASHER	M10 DIN 127	1
27	24951	CAPSCREW	M10 X 1.25 X 20 DIN 961	1
28	31786	LOCKWASHER	M 8 DIN 127	1
29	20650	CAPSCREW	M 8 X 18 DIN 933	1
30- 1	35094	HARNESS	ENGINE-W13A	1
30- 2	34945	HARNESS	ENGINE-W18-21A-27A-33A	1
31	24752	ADAPTER	1/4BSPT TO 1/8NPT-W18-21A-27A-33A	2
32	34761	SWITCH	OIL PRESSURE-ALARM	1
33	24132	SENDER	OIL PRESSURE	1
34	11984	ELBOW	1/8NPT STREET 90 STEEL	1
35	24831	PUMP	FUEL LIFT 12VDC	1
36- 1	34552	MOTOR	STARTER 12VDC-W13A-18-21A	1
36- 2	30593	MOTOR	STARTER 12VDC-W27A-33A	1
37	18242	NUT	M 8 DIN 934	1
38	24639	SOLENOID	PRE-HEAT 12VDC	1
39	31758	LOCKWASHER	5/16	2
40	31760	NUT	5/16NF	2
41	18804	CAPSCREW	M 6 X 20 DIN 933	2
42	33685	DIAGRAM	ENGINE WIRING	1

WESTERBEKE 4.4-7.7-11-12.5KW - ELECTRICAL SYSTEM

SCHEMATIC DIAGRAM

WIRING DIAGRAM



NOTES:

NOTES ON BUILDER/OWNER'S RESPONSIBILITY.

- Ⓐ AN ON-OFF SWITCH SHOULD BE INSTALLED SOMEWHERE IN THIS CIRCUIT TO DISCONNECT THE STARTER FROM THE BATTERY IN AN EMERGENCY & WHEN LEAVING THE BOAT. 12 VOLT DIESEL ENGINE STARTERS TYPICALLY DRAW 200 TO 300 AMPS WHEN CRANKING. THE DURATION OF INDIVIDUAL CRANKING CYCLES SHOULD NOT EXCEED 30 SECONDS. A SWITCH WITH CONTINUOUS RATING OF 175 AMPS AT 12 VDC WILL NORMALLY SERVE THESE FUNCTIONS, BUT SUCH A SWITCH MUST NEVER BE USED TO "MAKE" THE STARTER CIRCUIT.
- Ⓑ WARNING: SENDER CONNECTION: CONTACT WITH 8" MAX DAMAGE SENDER.
- Ⓒ ALL RETURNS ARE THROUGH ENGINE BLOCK.
- Ⓓ IF ADDITIONAL PRESSURE SWITCHES ARE REQ'D TO START BOAT ACCESSORIES, A FLEXIBLE RIDGE MUST BE RUN FROM THE OIL PRESSURE MANIFOLD TO A NEARBY BULKHEAD AND ALL PRESSURE SWITCHES MOUNTED AT THE BULKHEAD.
- Ⓔ APPLY SILASTIC OR TIGHT MOUNT PLASTIC/SPLICE ELECTRICAL TAPE AROUND CONNECTORS CONNECTED.
- Ⓕ CAUTION: THIS PRODUCT IS PROTECTED BY A MANUAL RESET CIRCUIT BREAKER LOCATED NEAR THE STARTER AND AS CLOSE TO THE SOURCE OF CURRENT AS POSSIBLE. EXCESSIVE CURRENT DRAIN ANYWHERE IN THE INSTRUMENT PANEL, WIRING, OR ENGINE WILL CAUSE THE BREAKER TO TRIP. IN THIS EVENT, WIRE ENDING WOULD BE SHUT DOWN, BECAUSE THE OPENED BREAKER DISCONNECTS THEIR FUEL SUPPLY. THEREFORE THE BUILDER/OWNER MUST BE SURE THAT THE INSTRUMENT PANEL, WIRING AND ENGINE ARE INSTALLED TO PREVENT CONTACT BETWEEN ELECTRICAL DEVICES AND SALT WATER.

GENERATOR OPERATION.

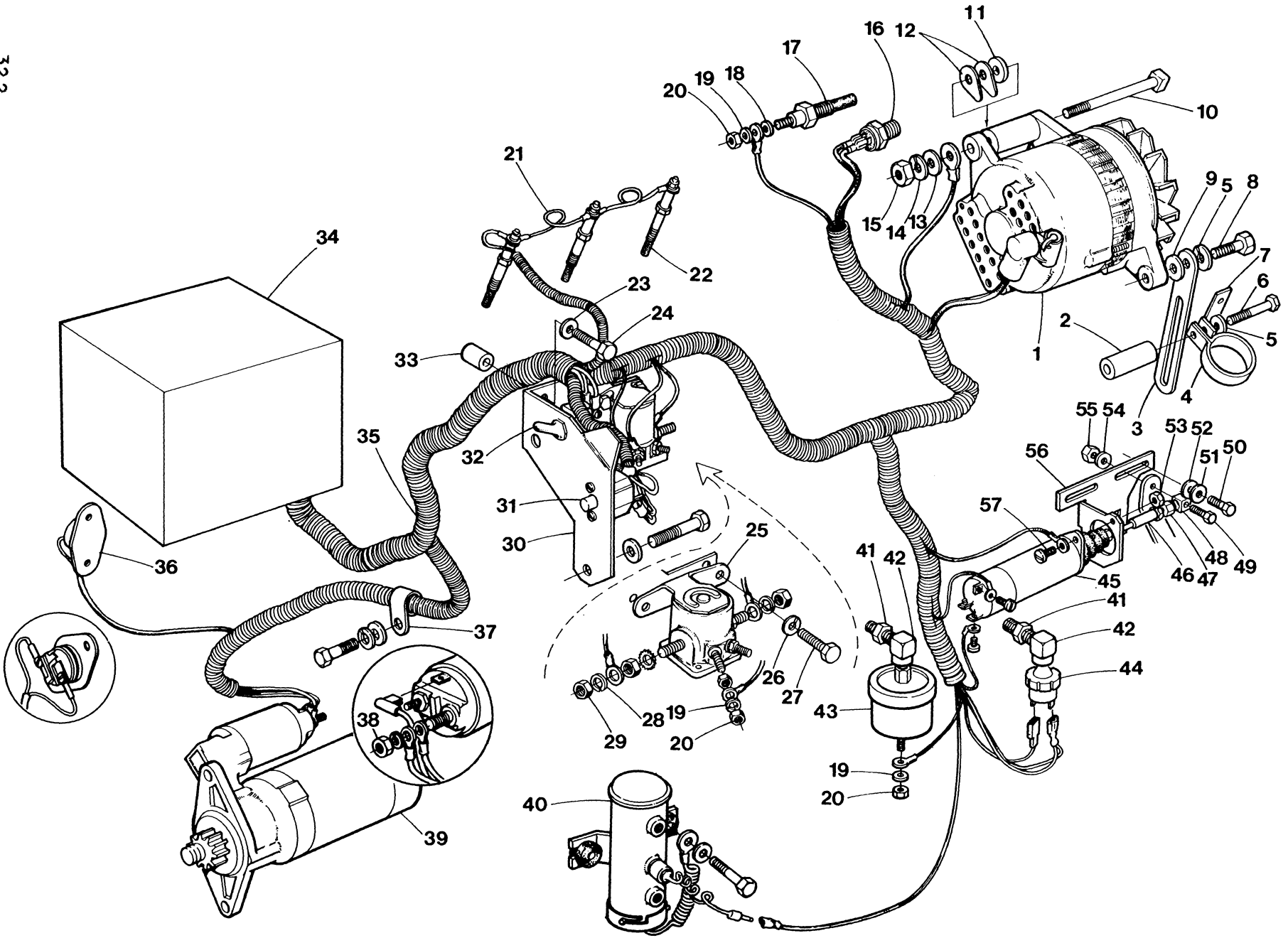
- PREHEAT: DEPRESS PREHEAT SWITCH FROM 15 TO 30 SECONDS AS REQUIRED.
- START: DEPRESS BOTH PREHEAT AND START SWITCHES (PREHEAT ALSO OVERRIDES LOW OIL PRESSURE SHUTDOWN CIRCUIT).
- WHEN GENERATOR STARTS, RELEASE START SWITCH ONLY. CONTINUE HOLDING PREHEAT SWITCH FOR A FEW SECONDS (UNTIL OIL PRESSURE REACHES 20 PSI).
- STOP: DEPRESS STOP SWITCH UNTIL THE GENERATOR STOPS COMPLETELY.

- Ⓖ REMOVE JUMPER WHEN REMOTE CONTROL PANEL IS USED.
- Ⓗ MOST STARTER SOLENOIDS DRAW 15 AMPS. THEREFORE THE VOLTAGE DROP IN THIS CONDUCTOR MUST BE NO GREATER THAN 10% (IN THE PATH FROM THE STANDARD START SWITCH TO ANY REMOTE SWITCHES AND BACK TO THE STANDARD STARTER SWITCH). IF THIS REQUIRES UNPRACTICALLY LARGE CONDUCTORS, THEN A RELAY MAY BE ADDED TO CONTROL THE STARTER SOLENOID ITSELF.

SYM	DATE	REVISION	AUTH
A	3-6-83	ADDED REMOTE CONTROL PANEL	BLL
B	10-10-83	ADDED NOTE 7	BLL
C	12-18-83	ADDED C. BREAKER 8 AMP	BLL
D	4-21-84	*16 BLK W/1 *0 BLK	BLL
E	11-14-85	ADDED SENSIT. TO MT. FUEL VIEW	BLL
F	12-14-85	PREHEAT - START INTERLOCK	BLL
G	4-1-85	ADDED FUEL MOUNT FROM 12VDC	BLL
H	4-11-85	FUEL MOUNTING CIRCUIT BREAKER	BLL
J	6-1-85	ADDED EMERGENCY STOP SWITCH	BLL

WESTERBEKE 4.4-7.7-11-12.5KW - ELECTRICAL SYSTEM

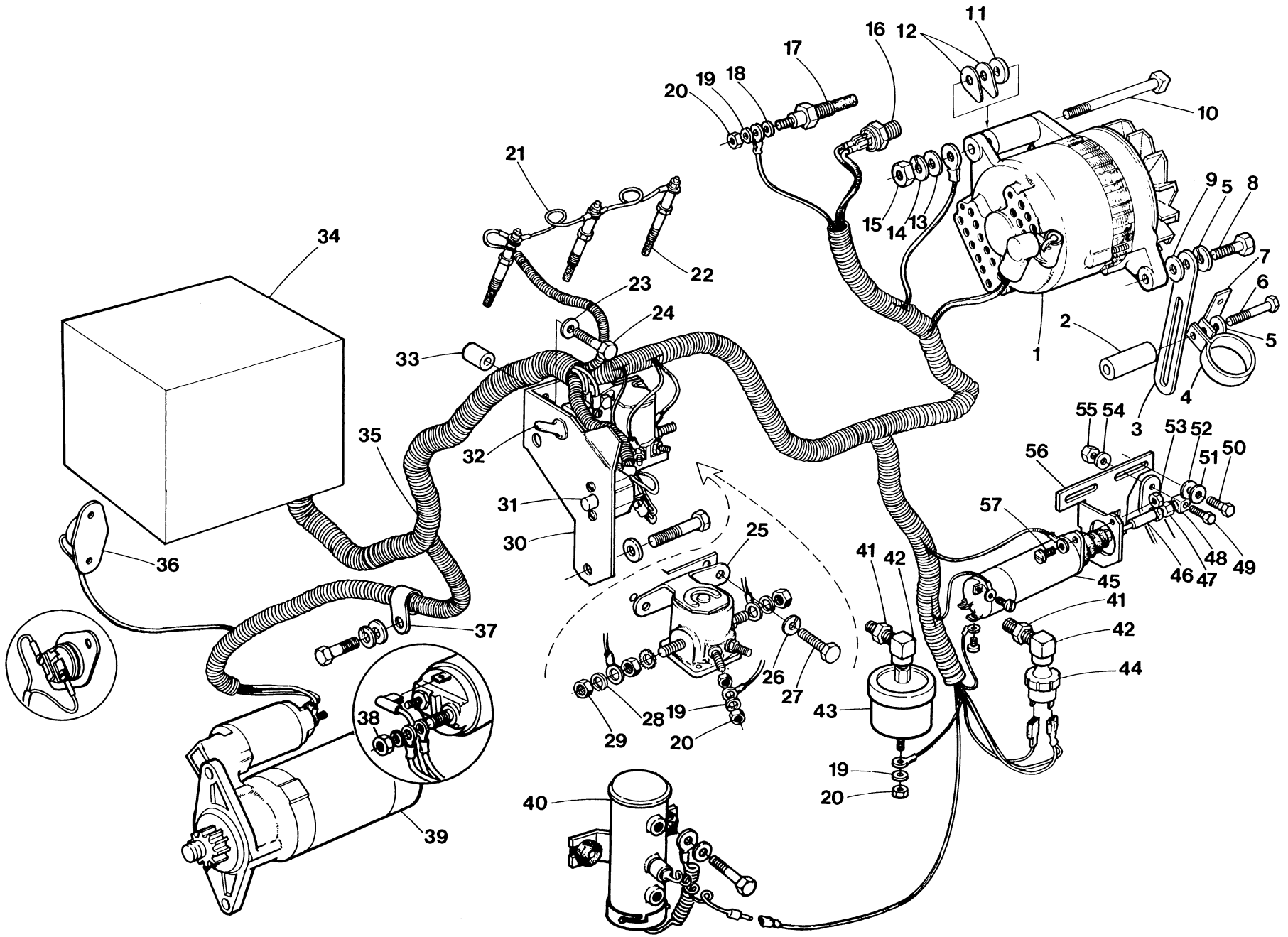
REF	PN	NAME	REMARKS	QUAN
1	12892	METER	HOUR	1
2	35108	METER	WATER TEMPERATURE	1
3	35110	METER	OIL PRESSURE 0-100 PSI	1
4	24732	SWITCH	PRE-HEAT	1
5	35111	VOLTMETER	12 VDC	1
6	24732	SWITCH	START	1
7	30147	CABLE	PANEL	1
8- 1	31132	HARNESS	ENGINE-4.4KW	1
8- 2	31133	HARNESS	ENGINE 6-7.7-11KW	1
8- 3	31135	HARNESS	ENGINE-12.5KW	1
9	30593	MOTOR	STARTER	1
10	24683	BREAKER	CIRCUIT-20 AMP	1
11	24639	SOLENOID	PRE-HEAT	1
12- 1	24353	GLOWPLUG	4.4KW	2
12- 2	24353	GLOWPLUG	7.7KW	3
12- 3	24353	GLOWPLUG	11-12.5KW	4
12- 4	30221	WIRE	GLOWPLUG CONNECTING 4.4KW	1
12- 5	30221	WIRE	GLOWPLUG CONNECTING 7.7KW	2
12- 6	30221	WIRE	GLOWPLUG CONNECTING 11-12.5KW	3
13	24132	SENDER	OIL PRESSURE 0-100 PSI	1
14	23041	SOLENOID	FUEL SHUT-OFF	1
15	35109	SENDER	WATER TEMPERATURE	1
19	24873	PANEL	COMPLETE	1
21	33348	SWITCH	OIL PRESSURE-NO	1
22	24831	PUMP	ELECTRIC FUEL LIFT	1
23	15243	LED	REMOTE CONTROL PANEL	1
24- 1	13723	RESISTOR	REMOTE CONTROL PANEL	1
24- 2	13724	DIODE	REMOTE CONTROL PANEL	1
25	30096	SWITCH	WATER TEMPERATURE-NC	1
26	11581	AMMETER	0-60-0-OPTIONAL	1
27	24731	SWITCH	STOP	1
28- 1	24943	PANEL	REMOTE CONTROL-OPTIONAL	1
28- 2	32122	PLATE	REMOTE CONTROL PANEL	1
28- 3	24731	SWITCH	STOP	1
28- 4	24732	SWITCH	PRE-HEAT AND START	2
30	30594	ALTERNATOR	50AMP NEG GROUND WITH REGULATOR	1
31	32923	SWITCH	EXHAUST TEMPERATURE	1
32- 1	33259	SWITCH	EMERGENCY STOP	1
32- 2	33258	BOOT	EMERGENCY STOP SWITCH	1
50	24968	DECAL	GENERATOR OPERATING INSTRUCTIONS	1



WESTERBEKE BC-4.4KW - BC6KW - BT-8KW - ELECTRICAL SYSTEM

WESTERBEKE BC-4.4KW - BC6KW - BT-8KW - ELECTRICAL SYSTEM

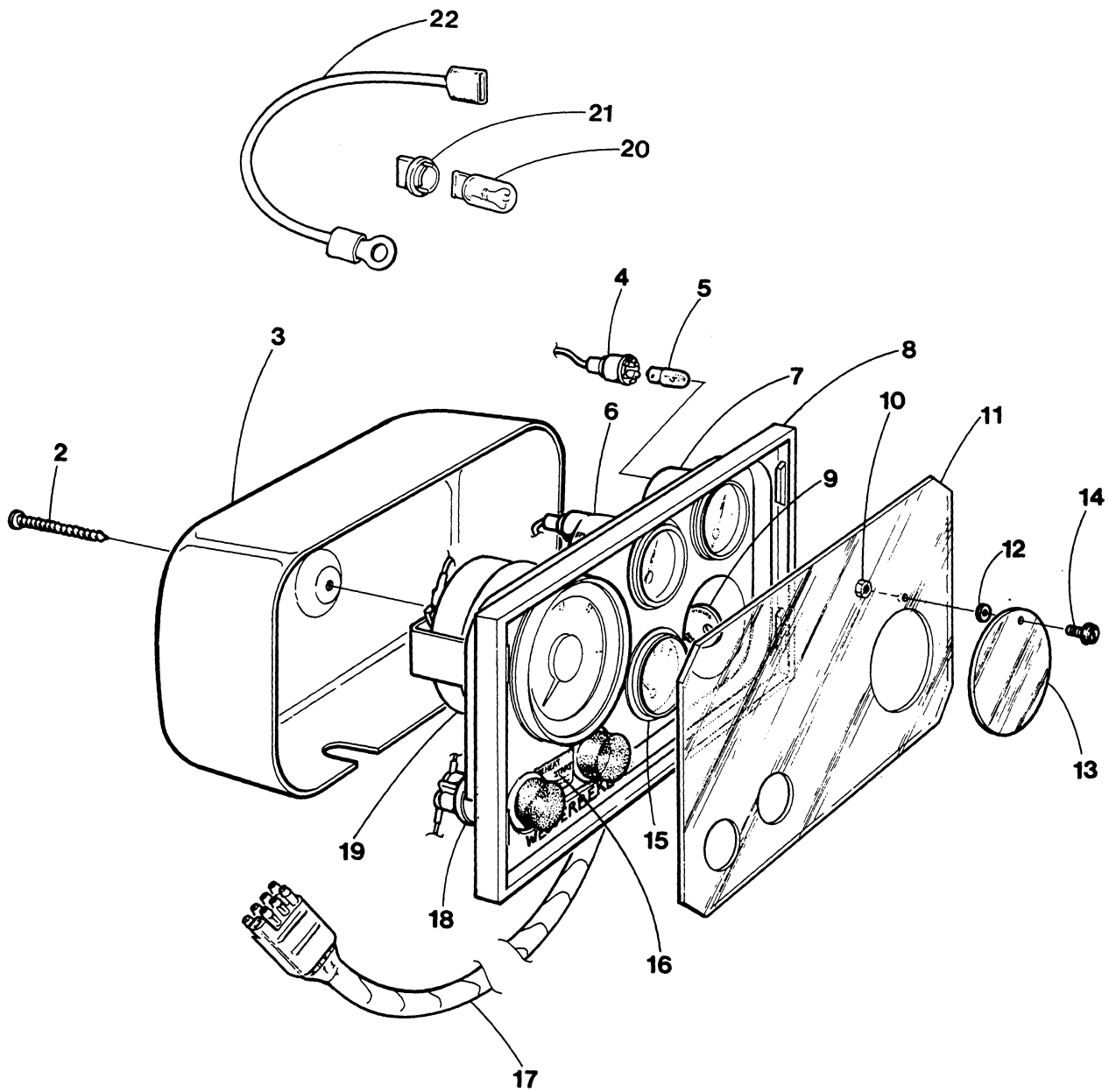
REF	PN	NAME	REMARKS	QUAN
1	30593	ALTERNATOR	50AMP 12VCD-BT-8KW	1
2	33565	SPACER	STRAP-BT-8KW	1
3	33064	STRAP	ADJUSTING-BT-8KW	1
4	35134	CLAMP	BT-8KW	1
5	31786	LOCKWASHER	M 8 DIN 127	2
6	31787	CAPSCREW	M 8 X 105 DIN 931	1
7	34606	BRACKET	BELT GUARD-BT-8KW	1
8	16789	CAPSCREW	M 8 X 16 DIN 933	1
9	33381	WASHER	SPACER	1
10	32015	BOLT	ALTERNATOR MOUNTING-BT-8KW	1
11	33381	WASHER	SPACER	1
12	30234	SHIM		2
13	31787	WASHER	M 8 DIN 125	1
14	31786	LOCKWASHER	M 8 DIN 127	1
15	18242	NUT	M 8 DIN 934	1
16	30096	SWITCH	WATER TEMPERATURE-SAFETY	1
17	35109	SENDER	WATER TEMPERATURE	1
18	31848	WASHER	FLAT 10	1
19	31849	LOCKWASHER	10	3
20	31847	NUT	10-32	3
21- 1	30221	WIRE	GLOWPLUG CONNECTING-2 CYLINDER	1
21- 2	30221	WIRE	GLOWPLUG CONNECTING-3 CYLINDER	2
22- 1	24353	GLOWPLUG	2 CYLINDER	2
22- 2	24353	GLOWPLUG	3 CYLINDER	3
23	31786	LOCKWASHER	M 8 DIN 127	2
24	13630	CAPSCREW	M 8 X 25 DIN 933	2
25	24639	SOLENOID	PRE-HEAT	1
26	31783	LOCKWASHER	M 6 DIN 127	2
27- 1	18804	CAPSCREW	M 6 X 20 DIN 933	2
27- 2	15812	NUT	M 6 DIN 934	2
28	31758	LOCKWASHER	5/16	2
29	31760	NUT	5/16NF	2
30- 1	34244	BRACKET	SOLENOID & CIRCUIT BREAKER-BC-6KW-BT-8KW	1
30- 2	30010	BRACKET	BC-4.4KW REFER TO FUEL PAGE	1
31	24683	BREAKER	CIRCUIT 20AMP	1
32- 1	33259	SWITCH	EMERGENCY STOP	1
32- 2	33258	BOOT	EMERGENCY STOP SWITCH	1
32- 3	31999	RING	LOCKING	1
32- 4	34204	LABEL	STOP SWITCH-BC-6KW-BT-8KW	1
32- 5	33251	LABEL	STOP SWITCH-BC-4.4KW	1
33	21885	SPACER		2



WESTERBEKE BC-4.4KW - BC6KW - BT-8KW - ELECTRICAL SYSTEM

REF	PN	NAME	REMARKS	QUAN
34		PANEL	CONTROL-REFER TO PANEL PAGES	1
35- 1	35898	HARNESS	BC-4.4KW	1
35- 2	35890	HARNESS	BC-6.0KW	1
35- 3	34654	HARNESS	BT-8.0KW	1
36	32923	SWITCH	EXHAUST TEMPERATURE-SAFETY	1
37	13760	CLAMP		1
38	18242	NUT	M 8 DIN 934	1
39	34552	MOTOR	STARTER	1
40	24831	PUMP	ELECTRIC FUEL LIFT	1
41	24752	ADAPTER	1/4BSPT TO 1/8NPT	2
42	11984	ELBOW	1/8NPT STREET 90 STEEL	2
43	24132	SENDER	OIL PRESSURE	1
44	33348	SWITCH	OIL PRESSURE-SAFETY	1
45	23041	SOLENOID	FUEL SHUT-OFF	1
46	15225	BALL JOINT		1
47	15534	NUT		1
48	34179	BALL JOINT		1
49	31505	CAPSCREW	1/4NC X 1	1
50	31810	CAPSCREW	M 6 X 14 DIN 933	2
51	31783	LOCKWASHER	M 6 DIN 127	2
52	31784	WASHER	M 6 DIN 125	2
53- 1	31847	NUT	10-32	2
53- 2	31849	LOCKWASHER	10	2
54	31752	LOCKWASHER	1/4	1
55	31750	NUT	1/4NC	1
56- 1	34201	BRACKET	FUEL SOLENOID-BC-6KW-BT-8KW	1
56- 2	35025	BRACKET	FUEL SOLENOID-BC-4.4KW	1
57	31873	SCREW	10-32 X 5/8	2
58- 1	35951	DIAGRAM	GENERATOR DC CONTROL WIRING BC-4.4KW	1
58- 2	35773	DIAGRAM	GENERATOR DC CONTROL WIRING BC-6KW	1
58- 3	34651	DIAGRAM	GENERATOR DC CONTROL WIRING BT-8KW	1

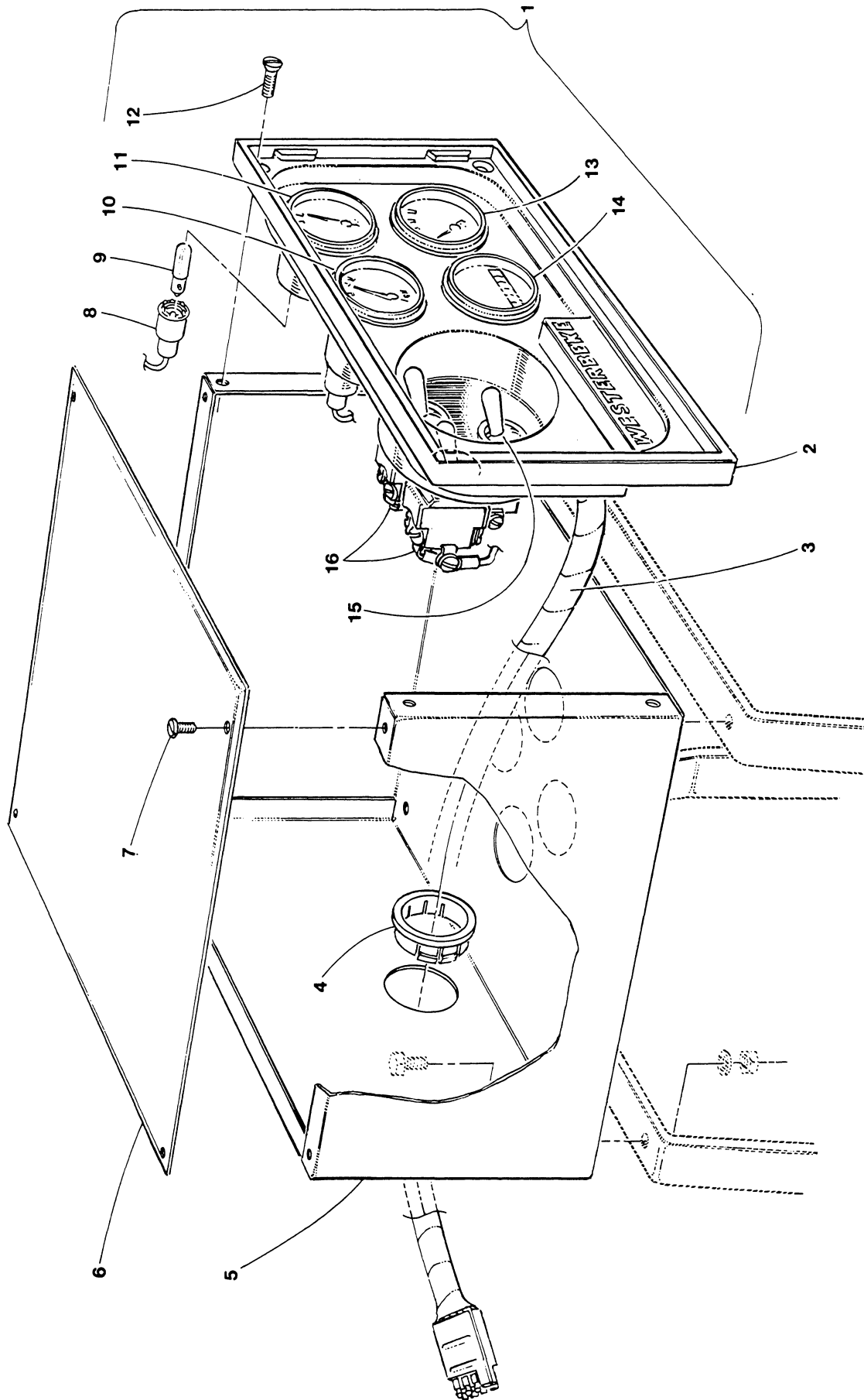
WESTERBEKE MARINE INSTRUMENT PANEL



WESTERBEKE MARINE INSTRUMENT PANEL

REF	PN	NAME	REMARKS	QUAN
1- 1	33866	PANEL	INSTRUMENT-ASSEMBLY	1
1- 2	24880	PANEL	INSTRUMENT-NO PUSH 3 BUTTONS-NLA	1
2	30913	SCREW		1
3	30119	COVER	PANEL REAR	1
4	24946	HOLDER	LAMP-BAYONET BASE	4
5	24947	LAMP	INSTRUMENT-BAYONET BASE	4
6	35108	METER	WATER TEMPERATURE	1
7	35110	METER	OIL PRESSURE 0-100 PSI	1
8- 1	33865	PANEL	PLATE	1
8- 2	24751	PANEL	PLATE-NO PUSH BUTTONS	1
9- 1	33693	SWITCH	KEY OFF-ON	1
9- 2	24777	SWITCH	KEY OFF-CN-START-PUSH TO PREHEAT	1
10	30003	NUT	NYLON LOCKING 6-32	1
11- 1	33684	COVER	FACEPLATE-PANEL WITH PUSH BUTTONS	1
11- 2	24994	COVER	FACEPLATE-PANEL WITHOUT PUSHBUTTONS	1
12	30002	SPACER	NYLON	1
13	24996	WINDOW	KEYSWITCH COVER	1
14	30001	SCREW	NYLON 6-32 X 1/2 WASHER HEAD	1
15	35111	VOLTMETER	12 VDC	1
16	33682	DECAL	SWITCH IDENTIFICATION	1
17	30148	CABLE	PANEL TO ENGINE	1
18- 1	33764	SWITCH	PUSH BUTTON START-PREHEAT	2
18- 2	19031	CAP	SWITCH COVER REPLACEMENT	
19	11917	METER	TACHOMETER-HOUR	1
20	35114	LAMP	INSTRUMET-WEDGE BASE	3
21	35118	HOLDER	LAMP-WEDGE BASE	3
22	35825	WIRE	POWER TO LAMPS	3
23	24999	DRAWING	TEMPLATE TO INSTALL PANEL	1

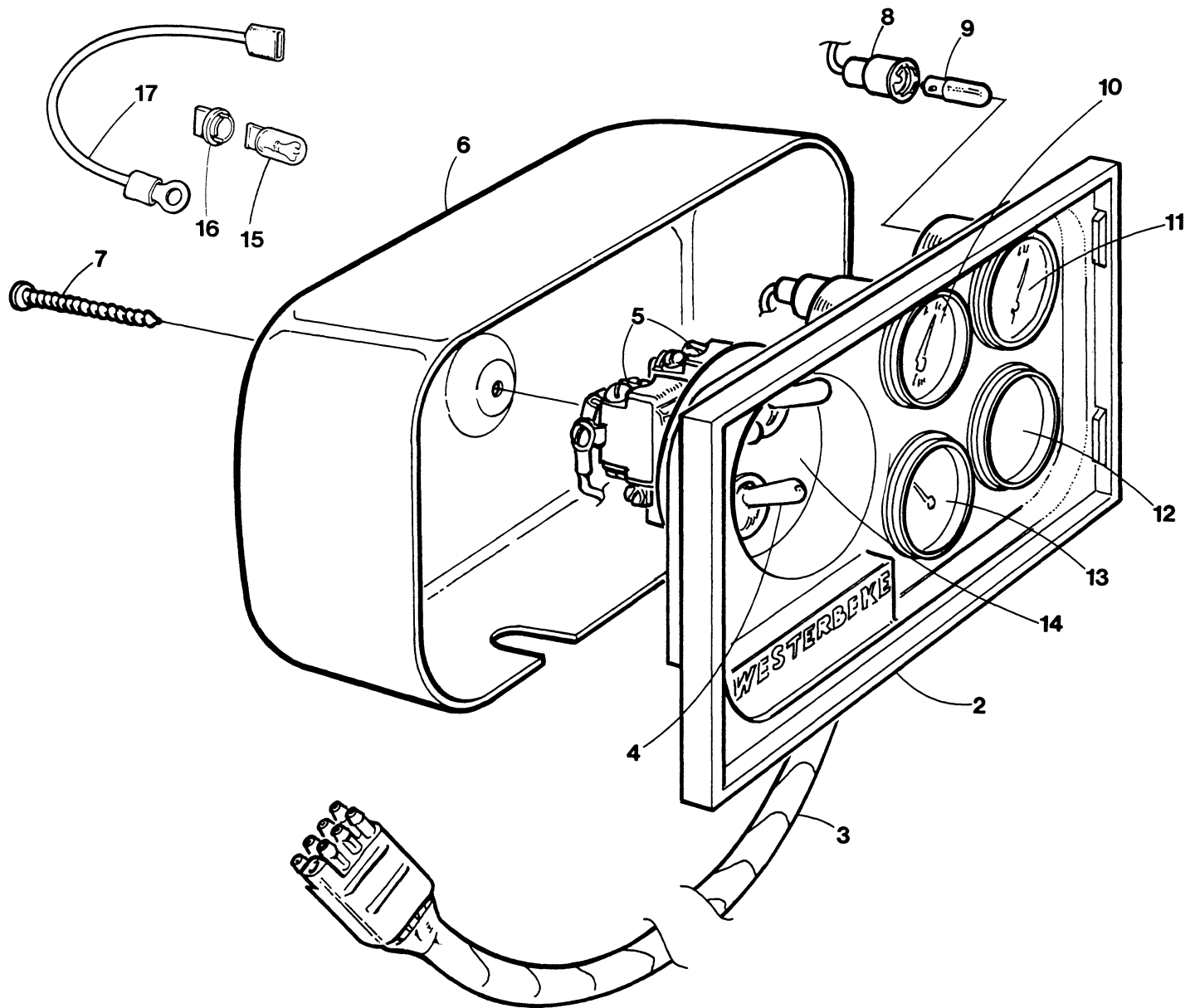
WESTERBEKE GENERATOR CONTROL PANEL



WESTERBEKE GENERATOR CONTROL PANEL

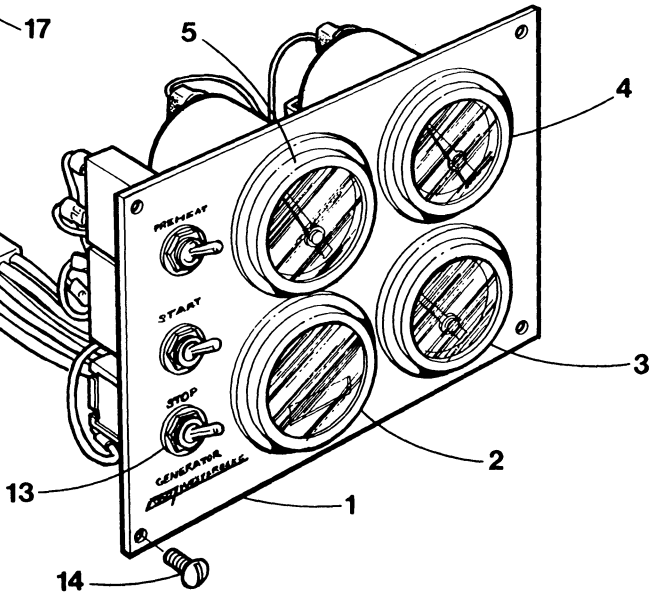
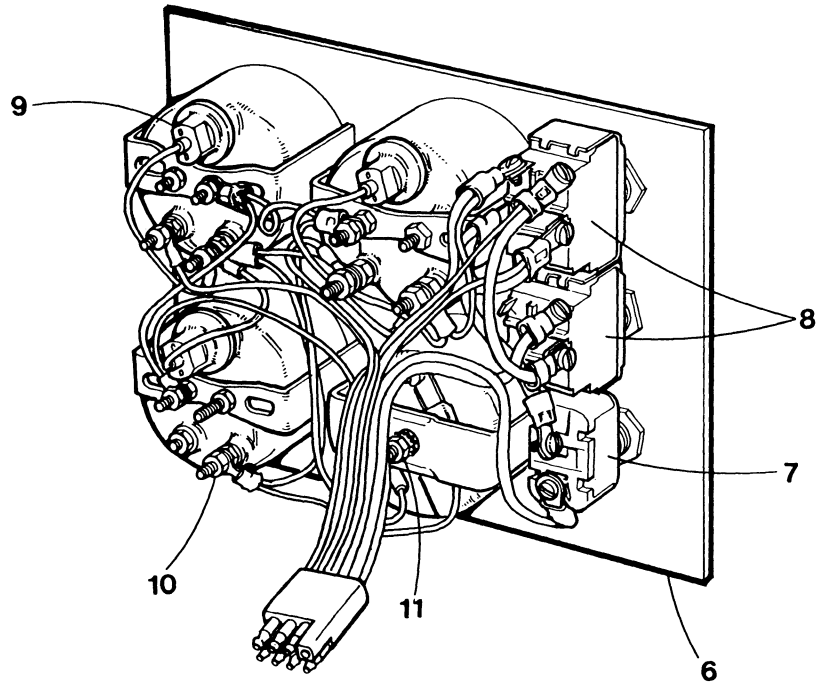
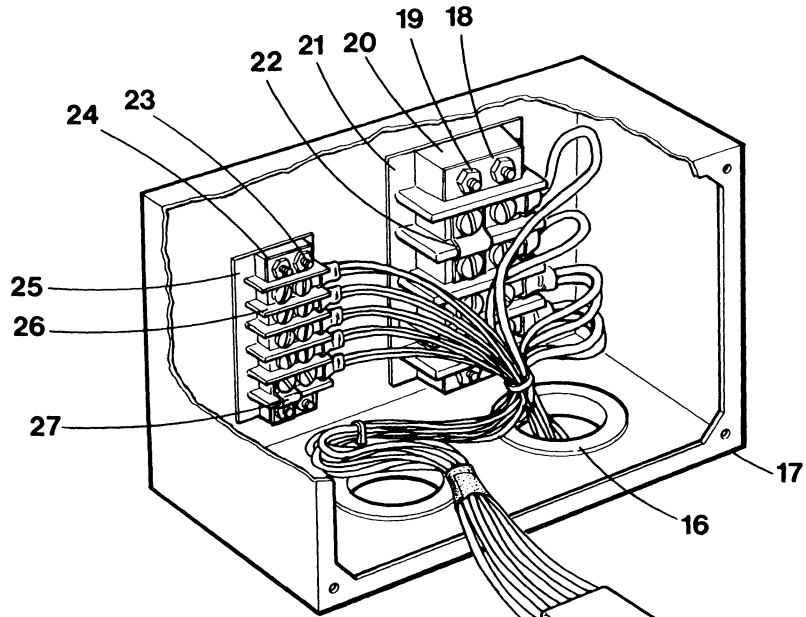
REF	PN	NAME	REMARKS	QUAN
1- 1	24873	PANEL	ASSEMBLY INCLUDING BOX	1
1- 2	32340	PANEL	INSTRUMENT ASSEMBLY-6KW	1
2	33867	PANEL	FACEPLATE	1
3	30147	CABLE	PANEL TO ENGINE	1
4	23939	BUSHING	1-3/4 HOLE	3
5	24794	BOX	PANEL	1
6	24795	COVER	PANEL BOX	1
7		SCREW	8-32 X 3/8 RH SS	4
8- 1	24946	HOLDER	LAMP-BAYONET BASE	3
8- 2	35118	HOLDER	LAMP-WEDGE BASE	3
8- 3	35825	WIRE	LAMP POWER CONNECTION	3
9- 1	24947	LAMP	INSTRUMENT-BAYONET BASE	3
9- 2	35114	LAMP	INSTRUMENT-WEDGE BASE	3
10	35108	METER	WATER TEMPERATURE	1
11	35110	METER	OIL PRESSURE 0-100 PSI	1
12		SCREW	8-32 X 3/8 OVAL HD SS	4
13	35111	VOLTMETER	12 VDC	1
14	12892	METER	HOUR	1
15	24731	SWITCH	STOP	1
16	24732	SWITCH	START-PREHEAT	2
17	32031	COVER	PANEL BOX WHEN FACEPLATE REMOTE MOUNTED	1
18	32449	LABEL	SWITCH IDENTIFICATION	1
19	30760	CABLE	15 FOOT PANEL EXTENSION	1
20	24869	DECAL	GENERATOR OPERATING INSTRUCTIONS	1
21- 1	33883	LABEL	AC OUTPUT CONNECTIONS 2-3 WIRE	1
21- 2	33882	LABEL	AC OUTPUT CONNECTIONS-6-12.5KW 4 WIRE	1

WESTERBEKE BC-4.4KW - BC-6KW - GENERATOR CONTROL PANEL



WESTERBEKE BC-4.4KW - BC-6KW - GENERATOR CONTROL PANEL

REF	P N	NAME	REMARKS	QUAN
1	32340	PANEL	INSTRUMENT ASSEMBLY	1
2	33867	PANEL	FACEPLATE	1
3	30147	CABLE	PANEL TO ENGINE HARNESS	1
4	24731	SWITCH	STOP	1
5	24732	SWITCH	START-PREHEAT	2
6	30119	COVER	PANEL REAR	1
7	30913	SCREW	COVER	1
8	24946	HOLDER	LAMP-BAYONET BASE	3
9	24947	LAMP	INSTRUMENT-BAYONET BASE	3
10	35108	METER	WATER TEMPERATURE	1
11	35109	METER	OIL PRESSURE 0-100 PSI	1
12	35111	VOLTMETER	12VDC NEG GROUND	1
13	12892	METER	HOUR	1
14	32449	LABEL	SWITCH IDENTIFICATION	1
15	35114	LAMP	INSTRUMENT-WEDGE BASE	3
16	35118	HOLDER	LAMP-WEDGE BASE	3
17	35825	WIRE	POWER TO LAMPS	3
18	30760	CABLE	15 FOOT PANEL EXTENSION	1
19	24968	LABEL	GENERATOR OPERATING INSTRUCTIONS	1
20	31999	RING	SWITCH POSITIONING	3

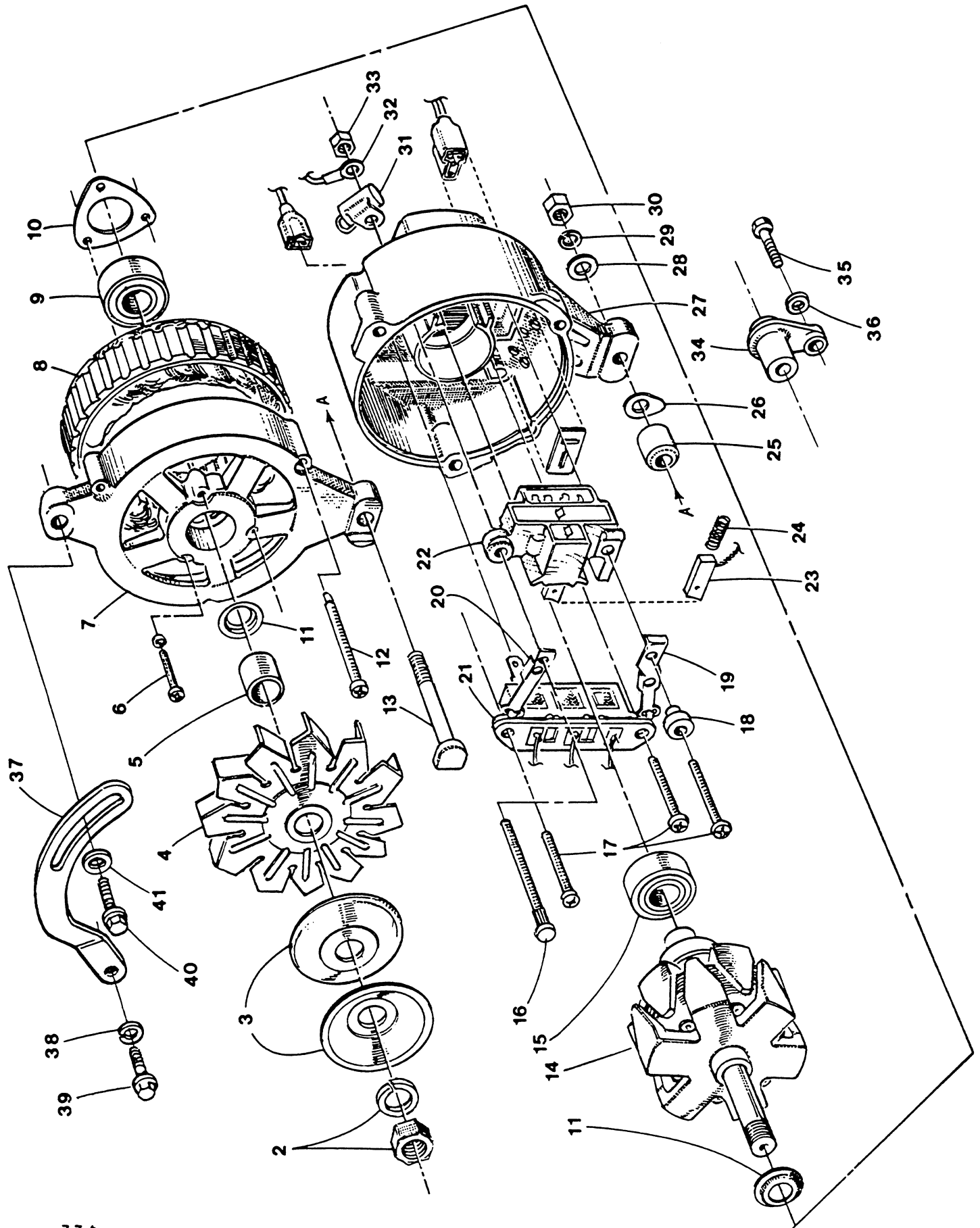


WESTERBEKE BT-8KW - CONTROL PANEL

WESTERBEKE 8.0 BTD - CONTROL PANEL

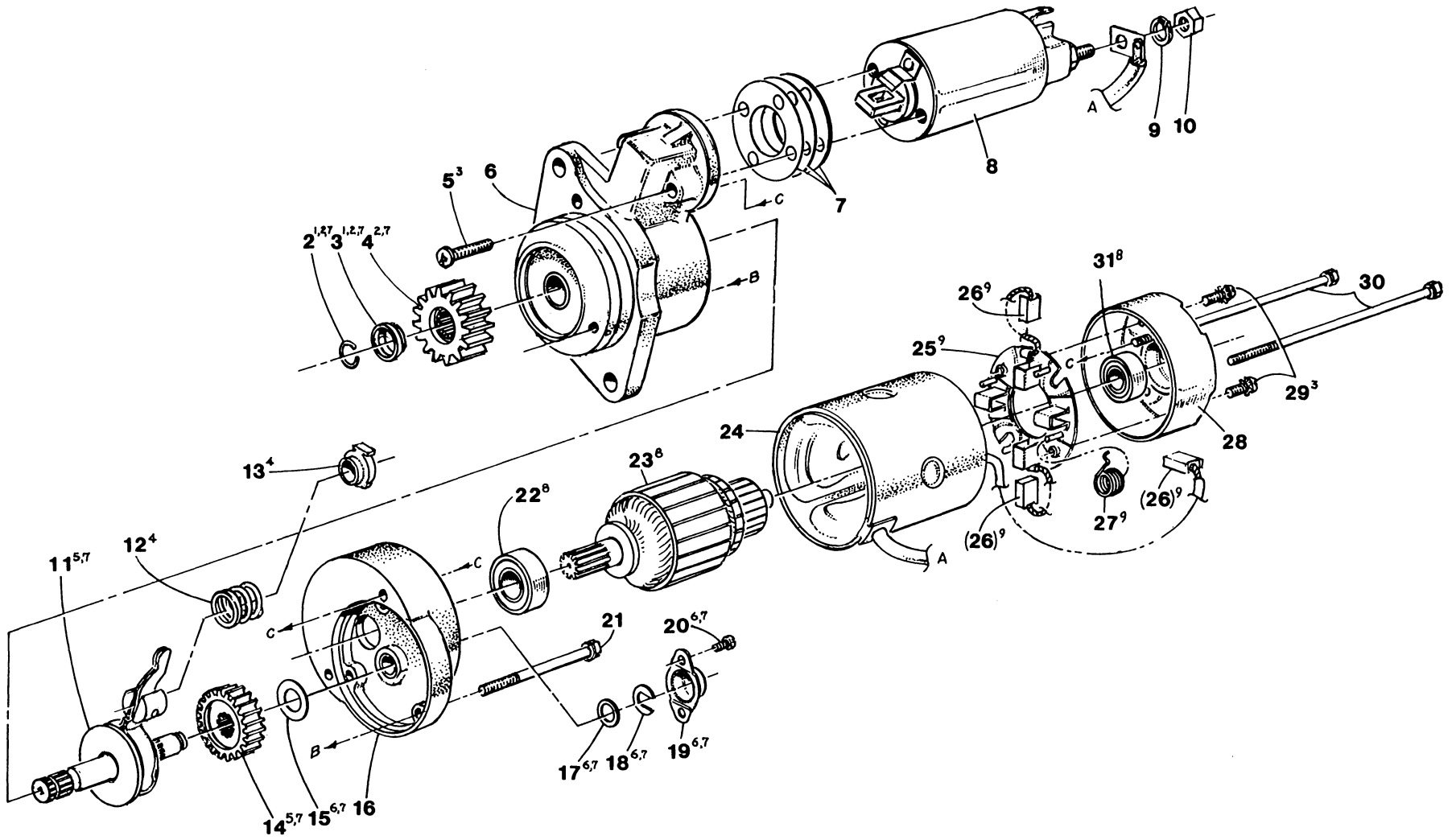
REF	PN	NAME	REMARKS	QUAN
1-1	035016	PANEL	GENSET CTL REF 2-13 TO 9/88	1
1-2	036539	PANEL	GENSET CTL FR 10/88 STOP SWITCH IN BOX	1
2	036192	HOURLMETER		1
3	037605	VOLTMETER	12 VDC	1
4	037603	METER	OIL PRESSURE 0-100 PSI	1
5	037601	METER	WATER TEMPERATURE	1
6-1	034485	PLATE	PANEL	1
6-2	035303	COVER	BOX-WHEN PANEL IS REMOTE MOUNTED	1
7	024731	SWITCH	STOP	1
8	024732	SWITCH	PREHEAT-START	2
9-1	024947	LAMP	INSTRUMENT-BAYONET BASE	3
9-2	024946	HOLDER	LAMP-BAYONET BASE	3
9-3	035114	LAMP	INSTRUMENT-WEDGE BASE	3
9-4	035118	HOLDER	LAMP-WEDGE BASE	3
9-5	035825	WIRE	LAMP POWER CONNECTION	3
10-1	031900	NUT	10-32	AR
10-2	031902	LOCKWASHER	10	AR
11	031904	NUT	10-24 KEPS	1
12-1	034653	HARNESS	PANEL 35016	1
12-2	036538	HARNESS	PANEL 36539	1
13	031999	RING	TOGGLE SWITCH MOUNTING LOCK	3
14	034421	SCREW	8-32 X 3/8 TRUSS HEAD BLACK SS	4
15	036695	HARNESS	ENGINE	1
16	023939	BUSHING	SNAP-IN 1-3/4 IN HOLE	2
17	034574	ASSEMBLY	BOX AND HARNESS	1
18	013856	PLATE	SCREW-TERMINAL BLOCK	2
19-1	031866	SCREW	8-32 X 7/8 BINDING HEAD SS	4
19-2	031842	NUT	8-32 HEX SS	4
19-3	031843	WASHER	FLAT 8	4
19-4	031844	LOCKWASHER	8	4
20	013320	BLOCK	TERMINAL	1
21	013363	MARKER	TERMINAL BLOCK	1
22	013938	JUMPER	TERMINAL BLOCK	1
23-1	031855	SCREW	6-32 X 5/8 BINDING HEAD SS	4
23-2	031837	NUT	6-32 HEX SS	4
23-3	031838	WASHER	FLAT 6	4
23-4	031839	LOCKWASHER	6	4
24	015222	PLATE	SCREW-TERMINAL BLOCK	2
25	019122	MARKER	TERMINAL BLOCK	1
26	019121	BLOCK	TERMINAL	1
27	015223	JUMPER	TERMINAL BLOCK	1
28	024968	LABEL	GENSET OPERATING INSTRUCTIONS	1

WESTERBEKE 13-18-21-27-33 - ALTERNATOR



WESTERBEKE 13-18-21-27-33 - ALTERNATOR

REF	PN	NAME	REMARKS	QUAN
1	30594	ALTERNATOR	12 VDC 50 AMP	1
2	30694	NUT SET	INCLUDES LOCKWASHER	1
3	30251	PULLEY	ASSEMBLY WITH FAN AND BUSHING	1
4		FAN	INCLUDED IN REF 3	1
5		SPACER	INCLUDED IN REF 3	1
6	30249	SCREW SET	BEARING RETAINING PLATE	1
7	30254	BRACKET	FRONT ASSEMBLY INCLUDING BEARING REF 9	1
8	30255	STATOR		1
9	30690	BEARING		1
10		PLATE	BEARING RETAINING INCLUDED IN REF 7	1
11		SLINGER	INCLUDED IN REF 7	2
12	30250	SCREW SET	ALTERNATOR HOUSING	1
13	32015	BOLT	ALTERNATOR MOUNTING	1
14	30253	ROTOR	ASSEMBLY INCLUDING BEARING REF 15	1
15	30248	BEARING		1
16	30256	TERMINAL	SET INCLUDING 17-18-19-20-32	1
17		SCREW	INCLUDED IN REF 16	3
18		INSULATOR	INCLUDED IN REF 16	1
19		STRAP	INCLUDED IN REF 16	1
20		STRAP	INCLUDED IN REF 16	1
21	30703	RECTIFIER	ASSEMBLY	1
22	30257	REGULATOR	ASSEMBLY INCLUDING BRUSH SET	1
23	30258	BRUSH		2
24	30247	SPRING	BRUSH	2
25- 1	30382	SPACER	ALTERNATOR MOUNT-W13-13A	1
25- 2	30476	SPACER	ALTERNATOR MOUNT-W33	1
26	30234	SHIM	ALTERNATOR MOUNT	AR 1
27	30704	BRACKET	REAR ASSEMBLY INCLUDING REF 16-21-22-31	1
28	31787	WASHER	M8 DIN 125	1
29	31786	LOCKWASHER	M8 DIN 127	1
30	18242	NUT	M8 DIN 934	1
31	30252	CONDENSER		1
32		NUT	INCLUDED IN REF 16	1
33	31086	BOOT	RUBBER	1
34	30596	SPACER	ALTERNATOR MOUNT-W21-27	1
35	18811	CAPSCREW	M8 X 40 DIN 931	1
36	31786	LOCKWASHER	M8 DIN 127	1
37- 1	30381	STRAP	ALTERNATOR ADJUSTING-W13-13A	1
37- 2	30595	STRAP	ALTERNATOR ADJUSTING-W21-27	1
37- 3	30477	STRAP	ALTERNATOR ADJUSTING-W33	1
37- 4	31200	STRAP	ALTERNATOR ADJUSTING-7.7KW SOUND GUARD	1
38	31786	LOCKWASHER	M8 DIN 127	1
39	16789	CAPSCREW	M8 X 16 DIN 933	1
40	13630	CAPSCREW	M8 X 25 DIN 933	1
41- 1	31786	LOCKWASHER	M8 DIN 127	1
41- 2	31787	WASHER	M8 DIN 125	1



WESTERBEKE 13-21-27-33 - STARTER MOTOR

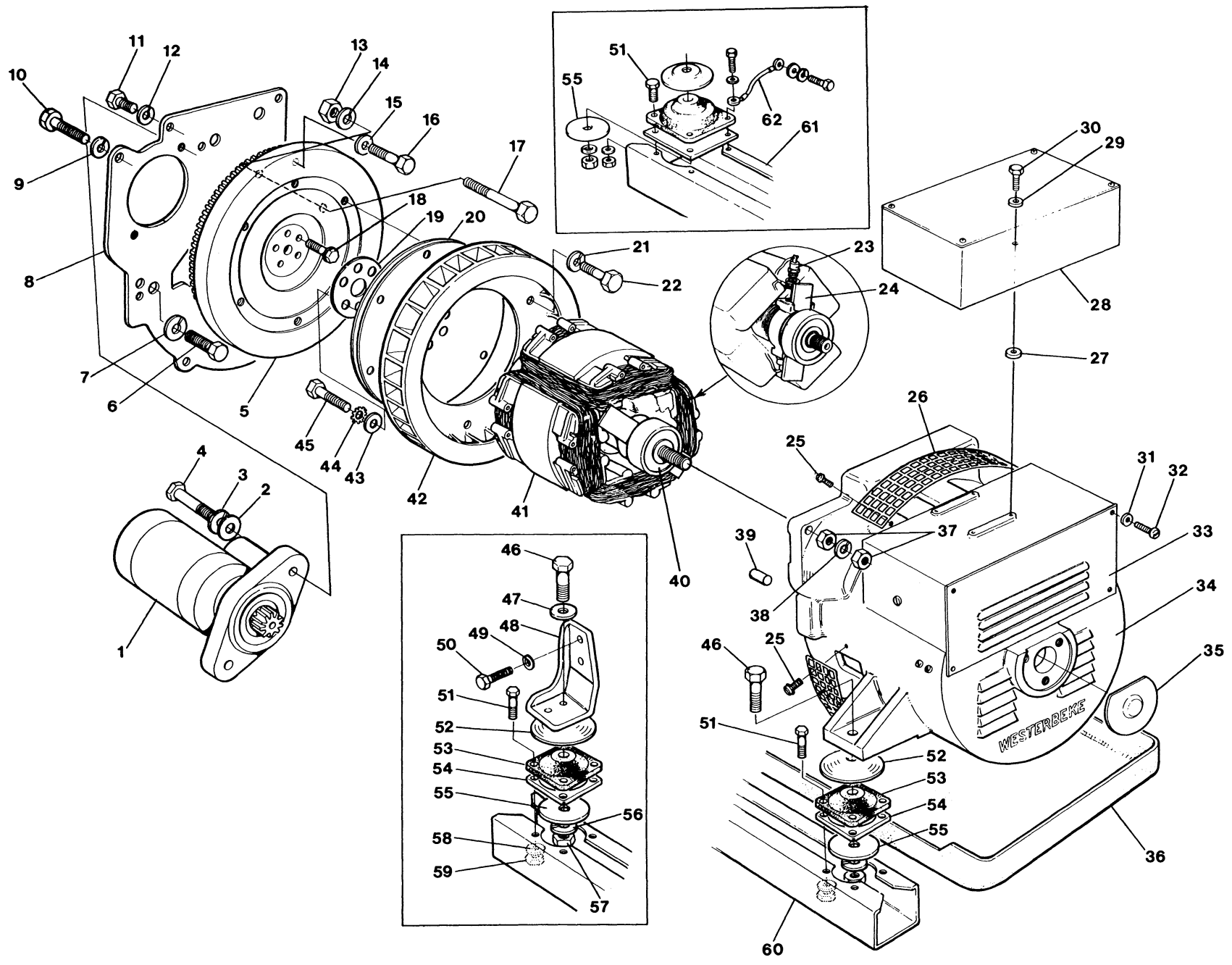
WESTERBEKE 13-21-27-33 - STARTER MOTOR

REF	PN	NAME	REMARKS	QUAN
1	30593	MOTOR	STARTER 12VDC	1
2		RING	RETAINING-SEE KIT 1	1
3		RETAINER	SEE KIT 1	1
4	30700	PINION	INCL REF 2 AND 3	1
5		SCREW	SEE KIT 3	2
6	30702	BRACKET	FRONT	1
7		SHIMS	SOLENOID-SEE REF 8	AR
8	30245	SOLENOID	INCL REF 7	1
9	31786	LOCKWASHER	M8 DIN 127	2
10	18242	NUT	M8 DIN 934	2
11	30265	SHAFT	ASSEMBLY-PINION	1
12	30260	SPRING	INCL REF 13	1
13		RETAINER	SEE REF 12	1
14	30695	GEAR		1
15		WASHER	SEE REF 19	1
16	30691	BRACKET	CENTER	1
17		WASHER	SEE REF 19	1
18		CLIP	SEE REF 19	1
19	30696	COVER	INCL REF 15,17,18 AND 20	1
20		SCREW	SEE REF 19	2
21	30692	CAPSCREW	M 5 X 73	1
22		BEARING	SEE REF 23	1
23	30693	ARMATURE	INCL REF 22 AND 31 BEARINGS	1
24	30701	HOUSING	YOKE ASSEMBLY	1
25	30262	HOLDER	BRUSH ASSEMBLY INCL REF 26 AND 27	1
26		BRUSH	SEE REF 25	4
27	30246	SPRING	BRUSH	1
28	30697	HOUSING	REAR	1
29		SCREW	SEE KIT 3	2
30	30698	CAPSCREW	M 5 X 149	2
31		BEARING	SEE REF 23	1

NOTE

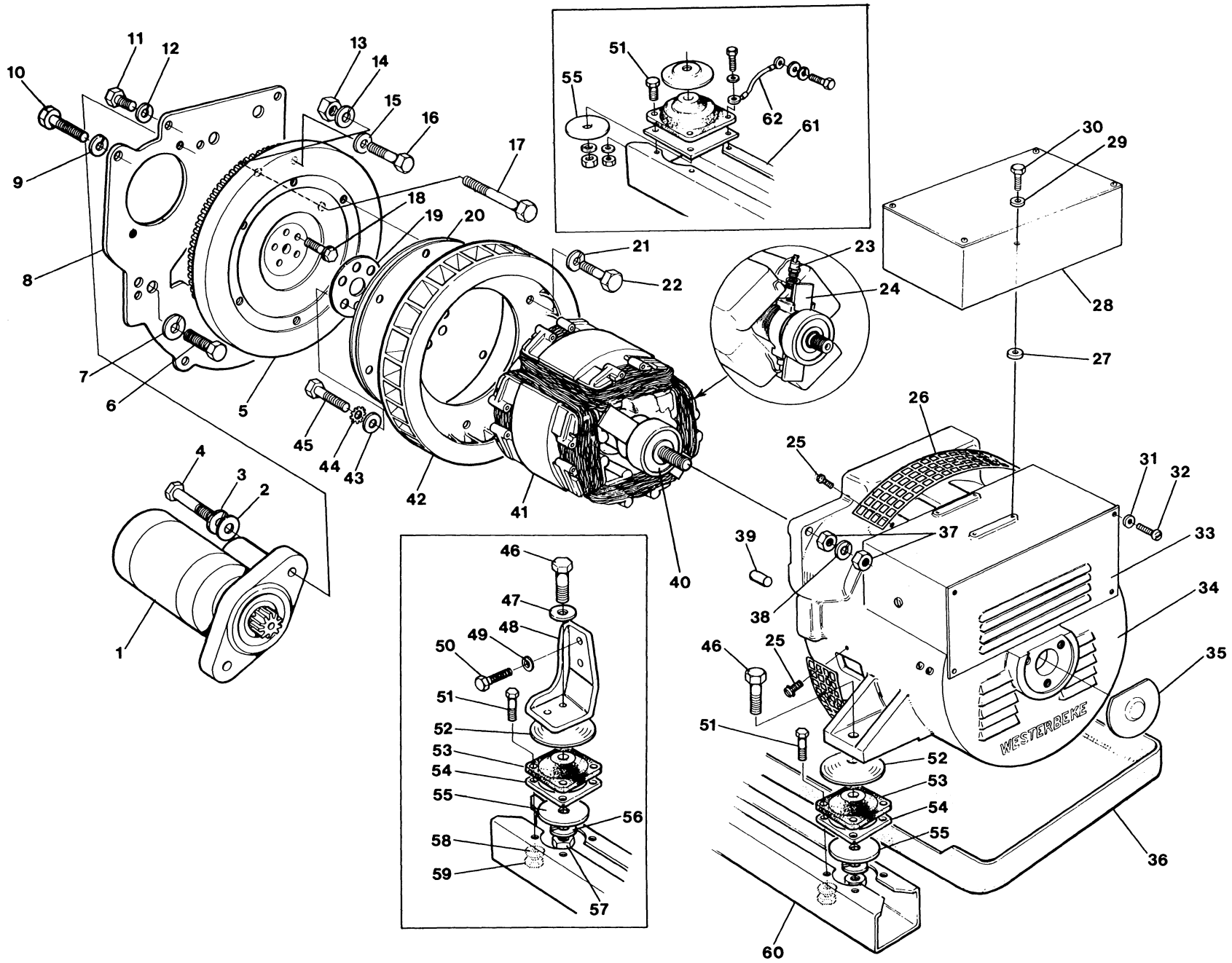
THE SUPERSCRIP ON REF NUMBERS ON DWG REFER TO KITS BELOW

1	30261	PINION	RETAINER-REF 1 AND 2	1
2	30700	PINION	REF 1, 2 AND 3	1
3	30263	SCREW SET	REF 5 AND 29	1
4	30260	SPRING	AND RETAINER-REF 12 AND 13	1
5	30264	SHAFT	PINION AND GEAR-REF 11 AND 14	1
6	30696	COVER SET	REF 15,17,18,19 AND 20	1
7	30699	CLUTCH KIT	INCLUDES KITS 30700,30264 AND 30696	1
8	30693	ARMATURE	REF 22,23 AND 30	1
9	30262	HOLDER	BRUSH-REF 25,26 AND 27	1



WESTERBEKE BC-4.4KW - BC-6KW - GENERATOR - BACK END - MOUNT

REF	PN	NAME	REMARKS	QUAN
1	34552	MOTOR	STARTER 12VDC	1
2	31789	WASHER	M10 DIN 125	2
3	19262	LOCKWASHER	M10 DIN 127	2
4	34589	CAPSCREW	M10 X 30 DIN 933	2
5- 1	35160	FLYWHEEL	BALANCED WITH RING GEAR BC-4.4KW	1
5- 2	35161	FLYWHEEL	BALANCED WITH RING GEAR BC-6KW	1
5- 3	32996	GEAR	RING	1
6- 1	24952	CAPSCREW	M10 X 1.25 X 25 DIN 961 BC-4.4KW	7
6- 2	24959	CAPSCREW	M12 X 1.25 X 25 DIN 961 BC-6KW	2
7	19262	LOCKWASHER	M10 DIN 127 BC-4.4KW	7
8- 1	35159	PLATE	BACK BC-4.4KW	1
8- 2	35162	PLATE	BACK BC-6KW	1
9	19262	LOCKWASHER	M10 DIN 127	1
10	34833	CAPSCREW	M10 X 60 DIN 912 FULLY THREADED	1
11- 1	13629	CAPSCREW	M10 X 25 DIN 933 BC-4.4KW	6
11- 2	13629	CAPSCREW	M10 X 25 DIN 933 BC-6KW	5
11- 3	31926	CAPSCREW	M10 X 35 DIN 933 BC-6KW	1
12	19262	LOCKWASHER	M10 DIN 127	6
15	31792	LOCKWASHER	M12 DIN 127 BC-6KW	6
16	31834	CAPSCREW	M12 X 1.25 X 30 DIN BC-6KW	6
18	33279	BOLT	FLYWHEEL	5
19	35928	PLATE	DRIVE DISC TO ARMATURE	1
20	35927	DISC	DRIVE	2
21	31786	LOCKWASHER	M 8 DIN 127	8
22	17196	CAPSCREW	M 8 X 20 DIN 933	8
23		DIODE		2
24	35971	BRIDGE	DIODE ASSEMBLY	1
25	31933	SCREW	M 5 X 10 DIN 85A	2
26	35974	GUARD	AIR	1
31	31780	LOCKWASHER	M 5 DIN 127	4
32	31918	SCREW	M 5 X 10 DIN 84A	4
33- 1	35984	COVER	BC-4.4KW	1
33- 2	35975	COVER	BC-6KW	1
34- 1	34414	GENERATOR	ASSEMBLY BC-4.4KW	1
34- 2	34408	GENERATOR	ASSEMBLY BC-6KW	1
34- 3	35983	HOUSING	INCL STATOR BC-4.4KW	1
34- 4	35973	HOUSING	INCL STATOR BC-6KW	1
35	34182	COVER	PTO	1
36	33964	DRIPTRAY		1
37	15887	NUT	M10 DIN 934	2

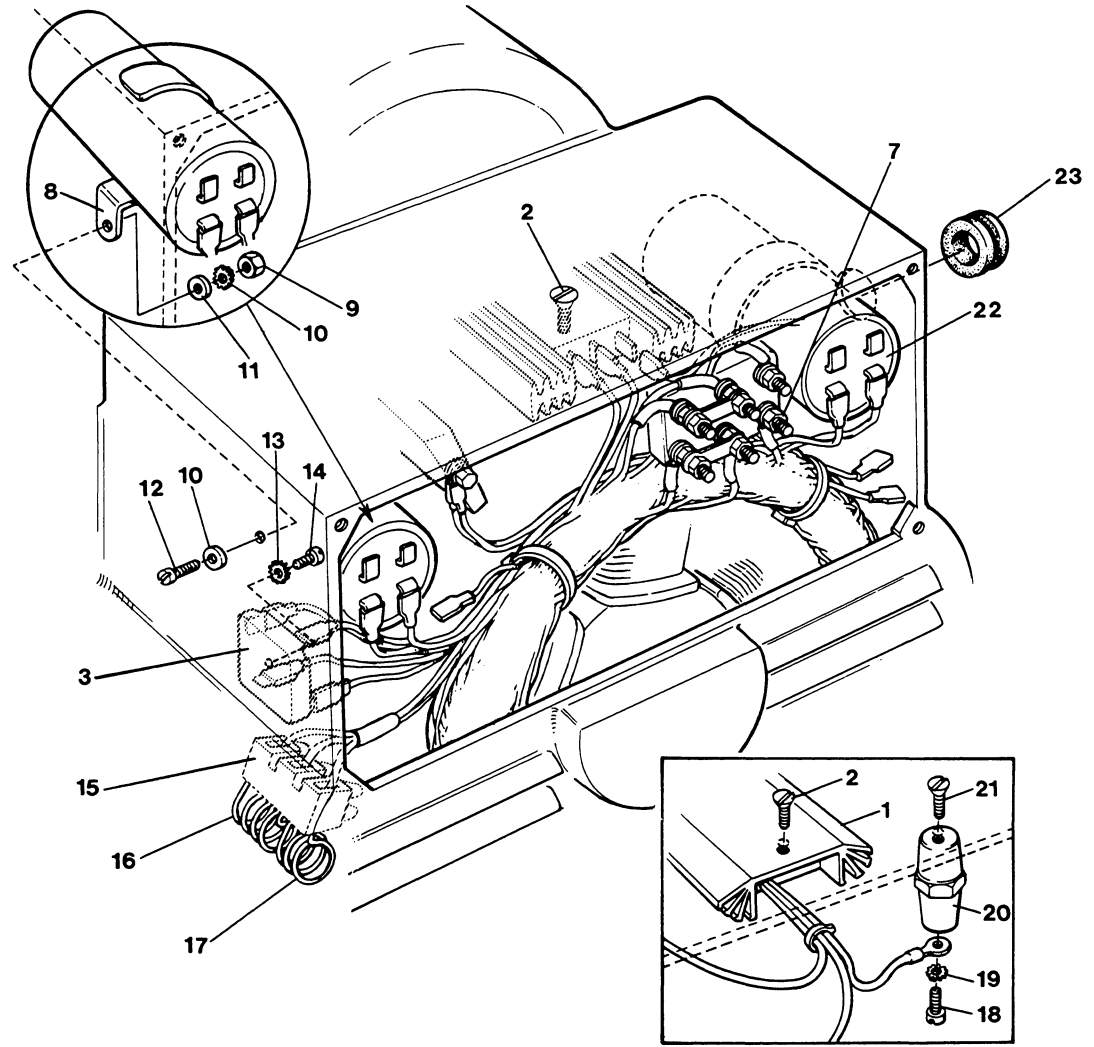
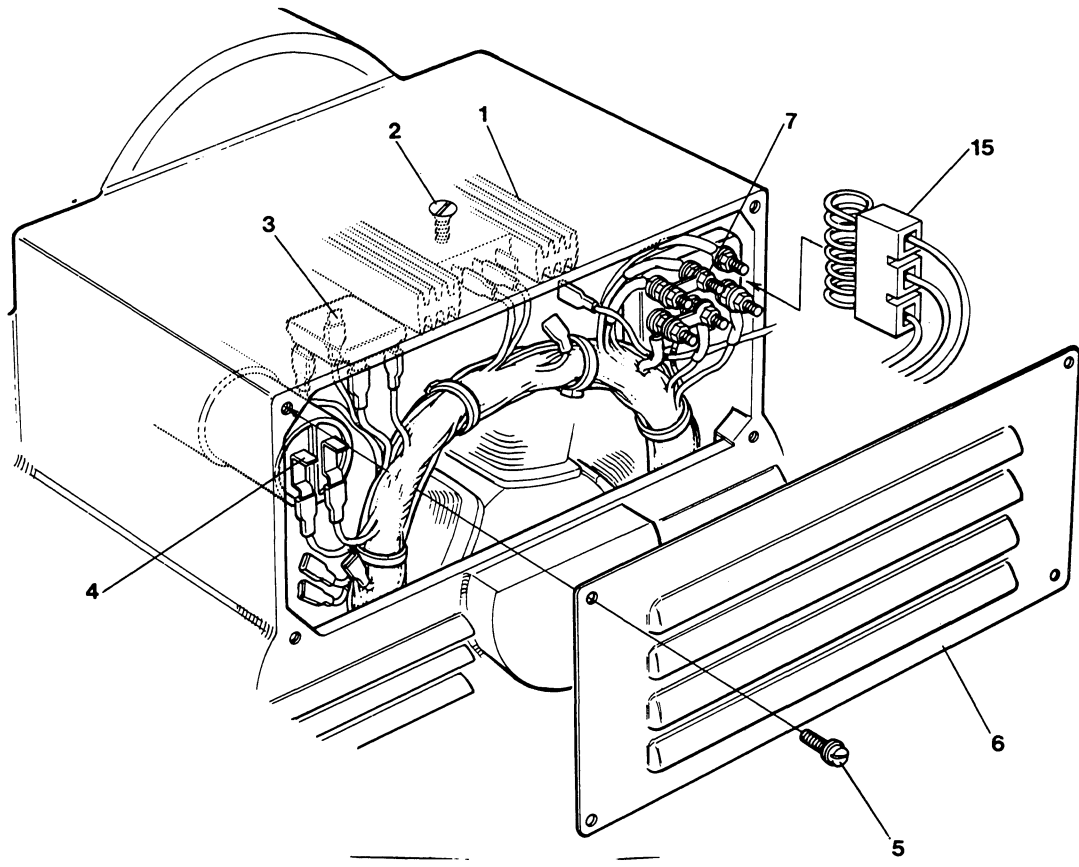


WESTERBEKE BC-4.4KW - BC-6KW - GENERATOR - BACK END - MOUNT

WESTERBEKE BC-4.4KW - BC-6KW - GENERATOR - BACK END - MOUNT

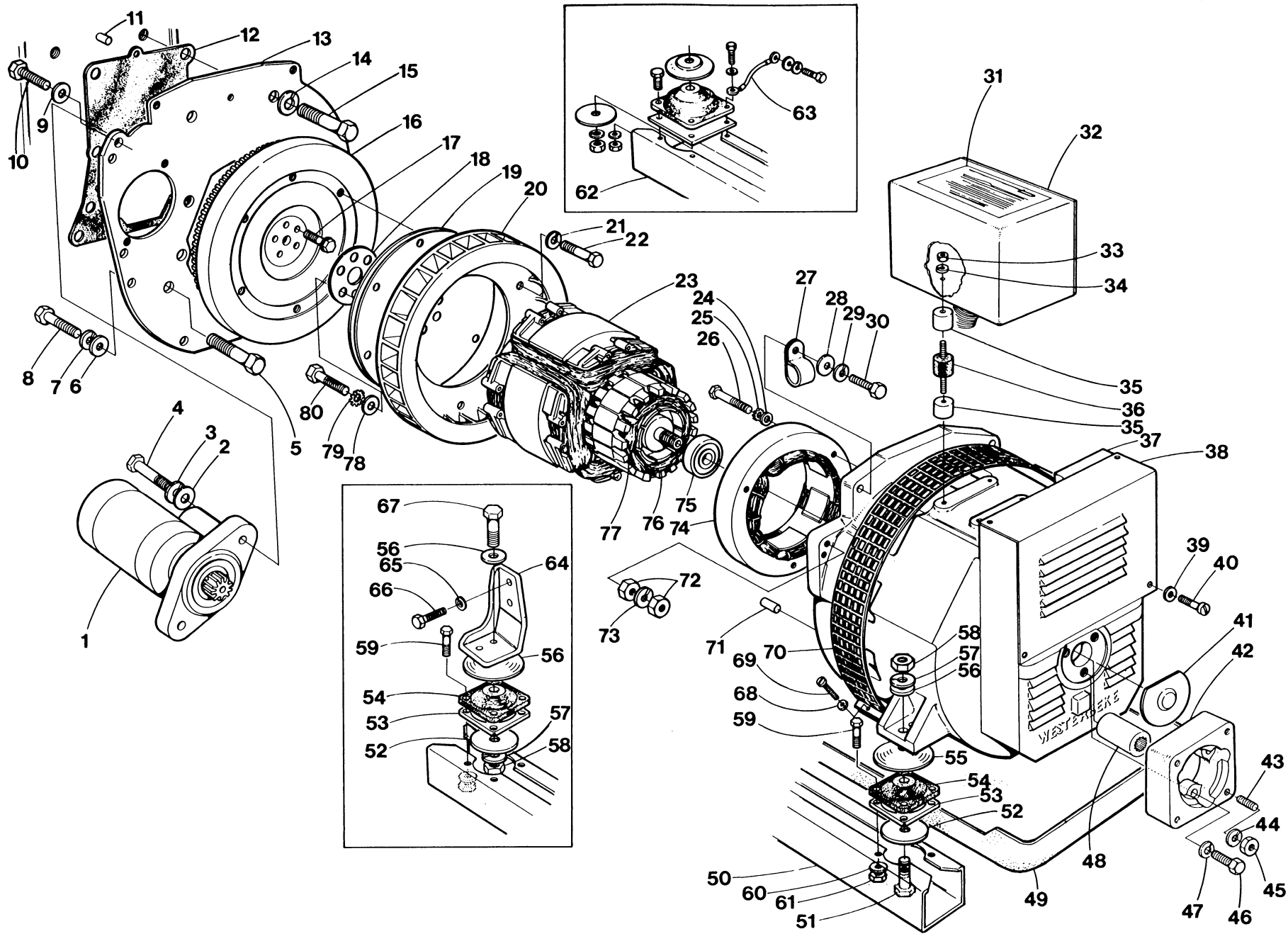
REF	PN	NAME	REMARKS	QUAN
38	19262	LOCKWASHER	M10 DIN 127	1
39	19039	DOWEL		2
40	35972	BEARING	BALL	1
41- 1	35982	ARMATURE	ASSEMBLY BC-4.4KW	1
41- 2	35970	ARMATURE	ASSEMBLY BC-6KW	1
42	35969	FAN		1
43	31789	WASHER	M10 DIN 125	6
44	31915	LOCKWASHER	M10 DIN 6797A	6
45	18813	CAPSCREW	M10 X 20 DIN 933	6
46	31711	CAPSCREW	1/2NC X 2 1/2	2
47	31777	WASHER	FLAT 1/2	4
48- 1	35028	MOUNT	FRONT BC-4.4KW	2
48- 2	33918	MOUNT	FRONT BC-6KW	2
49	31792	LOCKWASHER	M12 DIN 127	4
50- 1	31834	CAPSCREW	M12 X 1.25 X 30 DIN 961 BC-4.4KW	4
50- 2	32014	CAPSCREW	M12 X 1.25 X 30 JIS BC-6KW	4
51	31555	CAPSCREW	5/16NC X 1	16
52	33530	SHIELD	ISOLATOR	4
53	24776	ISOLATOR		4
54- 1	35273	SPACER	ISOLATOR TO RAIL BC-4.4KW	4
54- 2	33574	SPACER	ISOLATOR TO RAIL BC-6KW	4
55	24674	WASHER	ISOLATOR SNUBBING	4
56	31776	LOCKWASHER	1/2	4
57	31774	NUT	1/2NC	4
58	31758	LOCKWASHER	5/16	16
59	31756	NUT	5/16NC	16
60- 1	35453	RUAL	ASSEMBLY-LEFT BC-4.4KW	1
60- 2	34592	RUAL	ASSEMBLY-LEFT BC-6KW	1
61- 1	35454	RAIL	ASSEMBLY-RIGHT BC-4.4KW	1
61- 2	34591	RAIL	ASSEMBLY-RIGHT BC-6KW	1
61- 3	35041	RAIL	BC-4.4KW	2
61- 4	34198	RAIL	BC-6KW	2
62	34593	STRAP	GROUND	1

WESTERBEKE BC-4.4KW - BC-6KW - GENERATOR AC OUTPUT



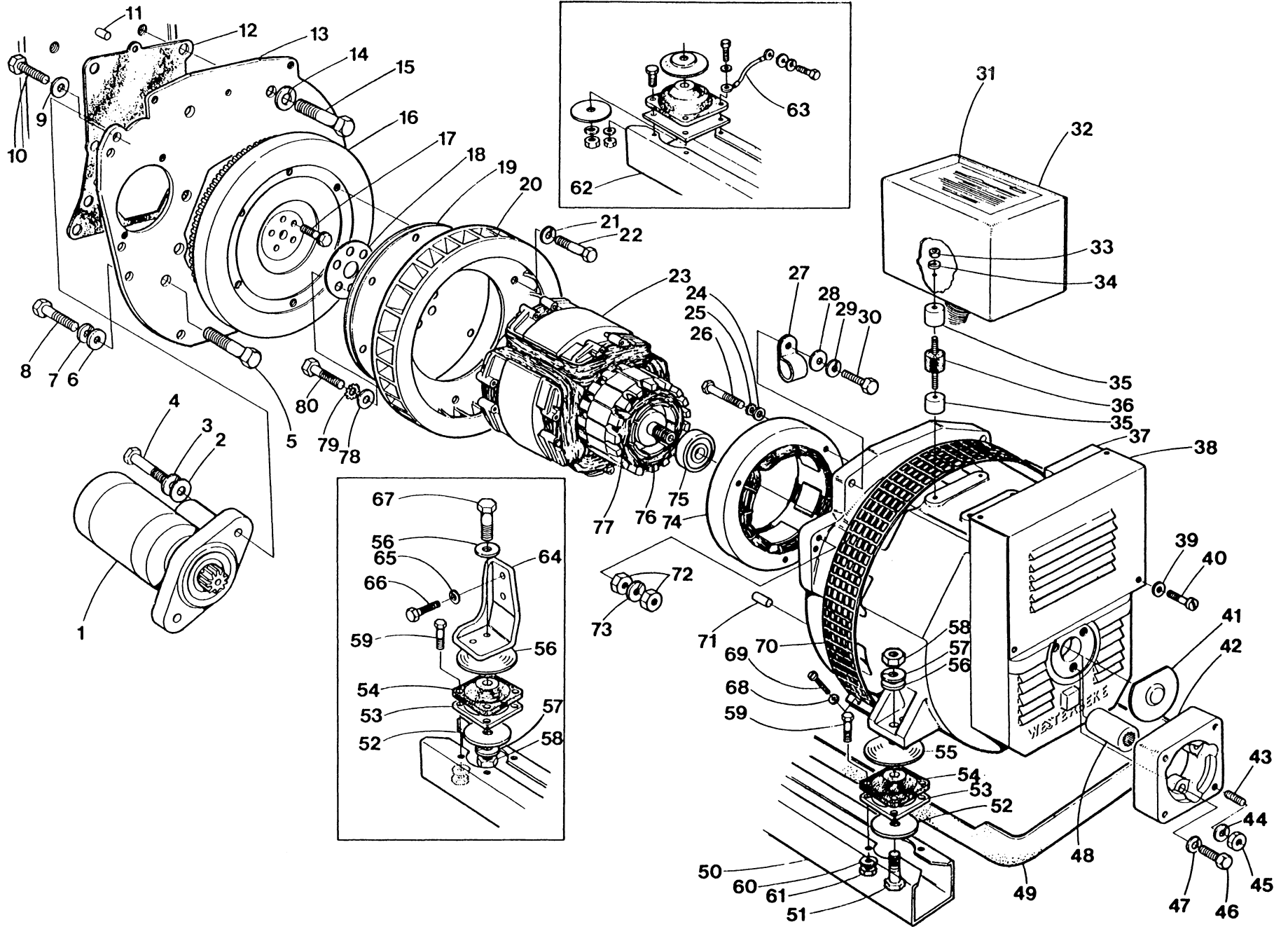
WESTERBEKE BC-4.4KW - BC-6KW - GENERATOR AC OUTPUT

REF	PN	NAME	REMARKS	QUAN
1	35981	CHARGER	BATTERY	1
2	31930	SCREW	M 5 X 10 DIN 963A	2
3	30809	RECTIFIER	BRIDGE	1
4	35985	CAPACITOR	BC-4.4KW	1
5	31918	SCREW	M 5 X 10 DIN 84A	4
6- 1	35984	COVER	BC-4.4KW	1
6- 2	35975	COVER	BC-6KW	1
7	35940	BLOCK	TERMINAL AC OUTPUT M5 STUDS	1
8- 1	35979	CLAMP	CAPACITOR BC-4.4KW	1
8- 2	35979	CLAMP	CAPACITOR BC-6KW	2
9- 1	18241	NUT	M 5 DIN 934 BC-4.4KW	1
9- 2	18241	NUT	M 5 DIN 934 BC-6KW	2
10- 1	31914	LOCKWASHER	M 5 DIN 6797A BC-4.4KW	2
10- 2	31914	LOCKWASHER	M 5 DIN 6797A BC-6KW	4
11- 1	31781	WASHER	M 5 DIN 125 BC-4.4KW	1
11- 2	31781	WASHER	M 5 DIN 125 BC-6KW	2
12- 1	31920	SCREW	M 5 X 20 DIN 84A BC-4.4KW	1
12- 2	31920	SCREW	M 5 X 20 DIN 84A BC-6KW	2
13	31914	LOCKWASHER	M 5 DIN 6797A	1
14	31931	SCREW	M 5 X 15 DIN 84A	1
15	35942	BLOCK	TERMINAL 3 POLE	1
16	35977	RESISTOR	BALLAST 4 COIL	1
17	35976	RESISTOR	BALLAST 3 COIL	1
18	31932	CAPSCREW	M 5 X 10 DIN 933 BRASS	1
19	31914	LOCKWASHER	M 5 DIN 6797A	1
20	35980	TERMINAL	CHARGER OUTPUT	1
21	31930	SCREW	M 5 X 10 DIN 963A	1
22	35978	CAPACITOR	BC-6KW	2
23	35944	GROMMET	AC WIRES	1
24	35455	LABEL	AC OUTPUT CONNECTIONS	1



WESTERBEKE 8.0 BTD - GENERATOR - BACK END - MOUNTING SYSTEM

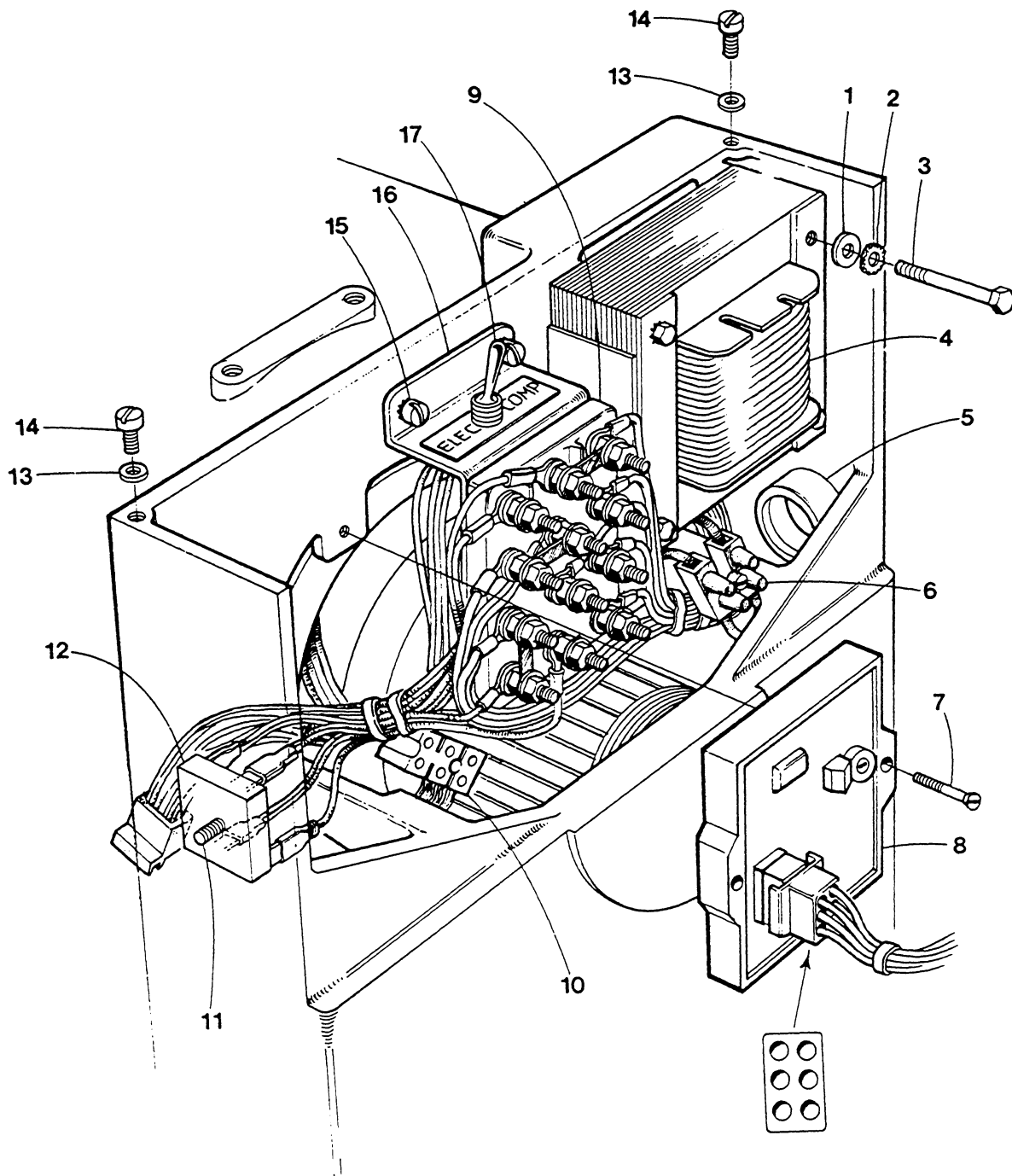
REF	PN	NAME	REMARKS	QUAN
1	034552	MOTOR	STARTER 12 VDC	1
2	031789	WASHER	M10 DIN 125	2
3	019262	LOCKWASHER	M10 DIN 127	2
4	034589	CAPSCREW	M10 X 30 DIN 933	2
5	024959	CAPSCREW	M12 X 1.25 X 25 DIN 961	2
6	031789	WASHER	M10 DIN 125	5
7	019262	LOCKWASHER	M10 DIN 127	5
8	013629	CAPSCREW	M10 X 25 DIN 933	5
9	019262	LOCKWASHER	M10 DIN 127	1
10	013631	CAPSCREW	M10 X 55 DIN 933	1
11		DOWEL	SEE BLOCK PAGE	
12		GASKET	BACKPLATE TO BLOCK-NOT USED ON GENSETS	
13	034010	PLATE	BACK	1
14	031792	LOCKWASHER	M12 DIN 127	6
15	031834	CAPSCREW	M12 X 1.25 X 30 DIN 961	6
16-1	034014	FLYWHEEL	WITH RING GEAR	1
16-2	032996	GEAR	RING	1
17	033279	BOLT	FLYWHEEL	5
18	035928	PLATE	THRUST-DRIVE DISC TO ARMATURE	1
19	035927	PLATE	DRIVE DISC	2
20	035929	FAN		1
21	031835	LOCKWASHER	M 8 DIN 6797J	8
22	037338	CAPSCREW	ARMATURE	8
23	035930	ARMATURE		1
24	031781	WASHER	M 5 DIN 125	3
25	031914	LOCKWASHER	M 5 DIN 6797A	3
26	031919	CAPSCREW	M 5 X 35 DIN 912	3
27	013760	CLAMP		1
28	031789	WASHER	M10 DIN 125	2
29	019262	LOCKWASHER	M10 DIN 127	2
30	034470	CAPSCREW	M10 X 45 DIN 931	2
31	037262	NAMEPLATE		1
32	034574	ASSEMBLY	BOX AND HARNESS	1
33	015812	NUT	M 6 DIN 934	4
34	031783	LOCKWASHER	M 6 DIN 127	4
35	024836	SPACER		8
36	034731	ISOLATOR	PANEL MOUNT	4
37-1	037428	GENERATOR		1
37-2	035934	STATOR	ASSEMBLY INCLUDING HOUSING	1
37-3	037723	STATOR		1
38	035936	COVER		1
39	031914	LOCKWASHER	M 5 DIN 6797A	4
40	031918	SCREW	M 5 X 10 DIN 84A	4



WESTERBEKE 8.0 BTD - GENERATOR - BACK END - MOUNTING SYSTEM

REF	PN	NAME	REMARKS	QUAN
41	034182	COVER	PTO INTERFACE	1
42-1	034786	KIT	PTO INCL REF 42 THRU 48	1
42-2	034742	DRAWING	PTO INSTALLATION	1
42-3	034738	ADAPTER		1
43	034867	STUD	1/2NC	4
44	031776	LOCKWASHER	1/2	4
45	031774	NUT	1/2NC	4
46	013589	CAPSCREW	M12 X 40 DIN 933	3
47	031792	LOCKWASHER	M12 DIN 127	3
48	034737	DRIVE	PTO SAE-B SPLINE	1
49	036376	DRIPTRAY		1
50	034592	RAIL	ASSEMBLY LEFT	1
51	031712	CAPSCREW	1/2NC X 2-3/4	2
52	024674	WASHER	SNUBBING	4
53	033574	PLATE	REINFORCING	4
54	024776	ISOLATOR		4
55	033530	SHIELD	FRONT ISOLATOR	2
56	031777	WASHER	FLAT 1/2	4
57	031776	LOCKWASHER	1/2	4
58	031774	NUT	1/2NC	4
59	031555	CAPSCREW	5/16NC X 1	16
60	031758	LOCKWASHER	5/16	16
61	031756	NUT	5/16NC	16
62	034591	RAIL	ASSEMBLY RIGHT	1
63	034593	STRAP	GROUND	1
64	033918	MOUNT	FRONT	2
65	031792	LOCKWASHER	M12 DIN 127	4
66	032014	CAPSCREW	M12 X 1.25 X 30 JIS	4
67	031711	CAPSCREW	1/2NC X 2-1/2	2
68	031914	LOCKWASHER	M 5 DIN 6797A	1
69	031920	SCREW	M 5 X 20 DIN 84A	1
70	035935	GUARD	AIR	1
71	019039	DOWEL		2
72	015887	NUT	M10 DIN 934	2
73	019262	LOCKWASHER	M10 DIN 127	1
74-1	038354	STATOR	EXCITER	1
74-2	035933	STATOR	EXCITER-UNITS WITH ELECTRONIC REGULATOR	1
75	035932	BEARING	BALL	1
76	035943	VARIATOR	POSI-RESISTOR	1
77	035931	DIODE		6
78	031789	WASHER	M10 DIN 125	6
79	031915	LOCKWASHER	M10 DIN 6797A	6
80	013629	CAPSCREW	M10 X 25 DIN 933	6
81	035144	LABEL	AC OUTPUT CONNECTIONS	1

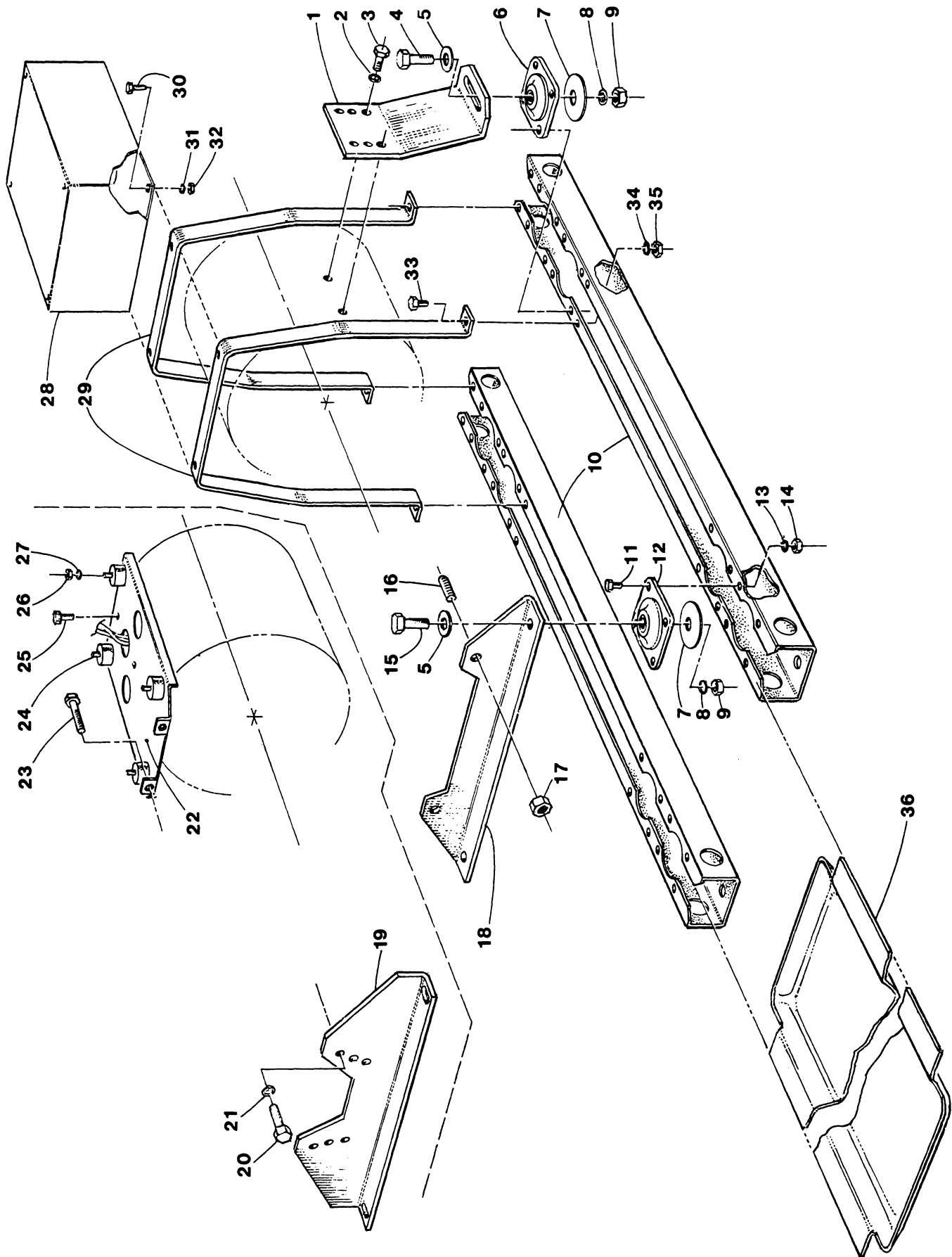
WESTERBEKE RT-8KW - GENERATOR AC OUTPUT



WESTERBEKE BT-8KW - GENERATOR AC OUTPUT

REF	PN	NAME	REMARKS	QUAN
1	31781	WASHER	M 5 DIN 125	4
2	31914	LOCKWASHER	M 5 DIN 6797A	4
3	31916	CAPSCREW	M 5 X 50 DIN 933	4
4	35937	TRANSFORMR	VOLTAGE REGULATION	1
5	35944	GROMMET	AC OUTPUT LEADS	1
6	35941	BLOCK	TERMINAL 2 POLE	1
7- 1	31934	SCREW	M 4 X 20 DIN 84A	2
7- 2	31917	LOCKWASHER	M 4 DIN 6797A	2
8	34410	REGULATOR	ELECTRONIC-VOLTAGE	1
9	35940	BLOCK	TERMINAL AC OUTPUT	2
10	35942	BLOCK	TERMINAL 3 POLE	1
11- 1	31931	SCREW	M 5 X 15 DIN 84A	1
11- 2	31914	LOCKWASHER	M 5 DIN 6797A	1
12	30809	RECTIFIER	BRIDGE	1
13	31914	LOCKWASHER	M 5 DIN 6797A	4
14	31918	SCREW	M 5 X 10 DIN 84A	4
15- 1	31914	LOCKWASHER	M 5 DIN 6797A	2
15- 2	31918	SCREW	M 5 X 10 DIN 84A	2
16	35939	BRACKET		1
17	35938	SWITCH	REGULATION SELECTOR	1
18	35144	LABEL	AC OUTPUT CONNECTIONS	1

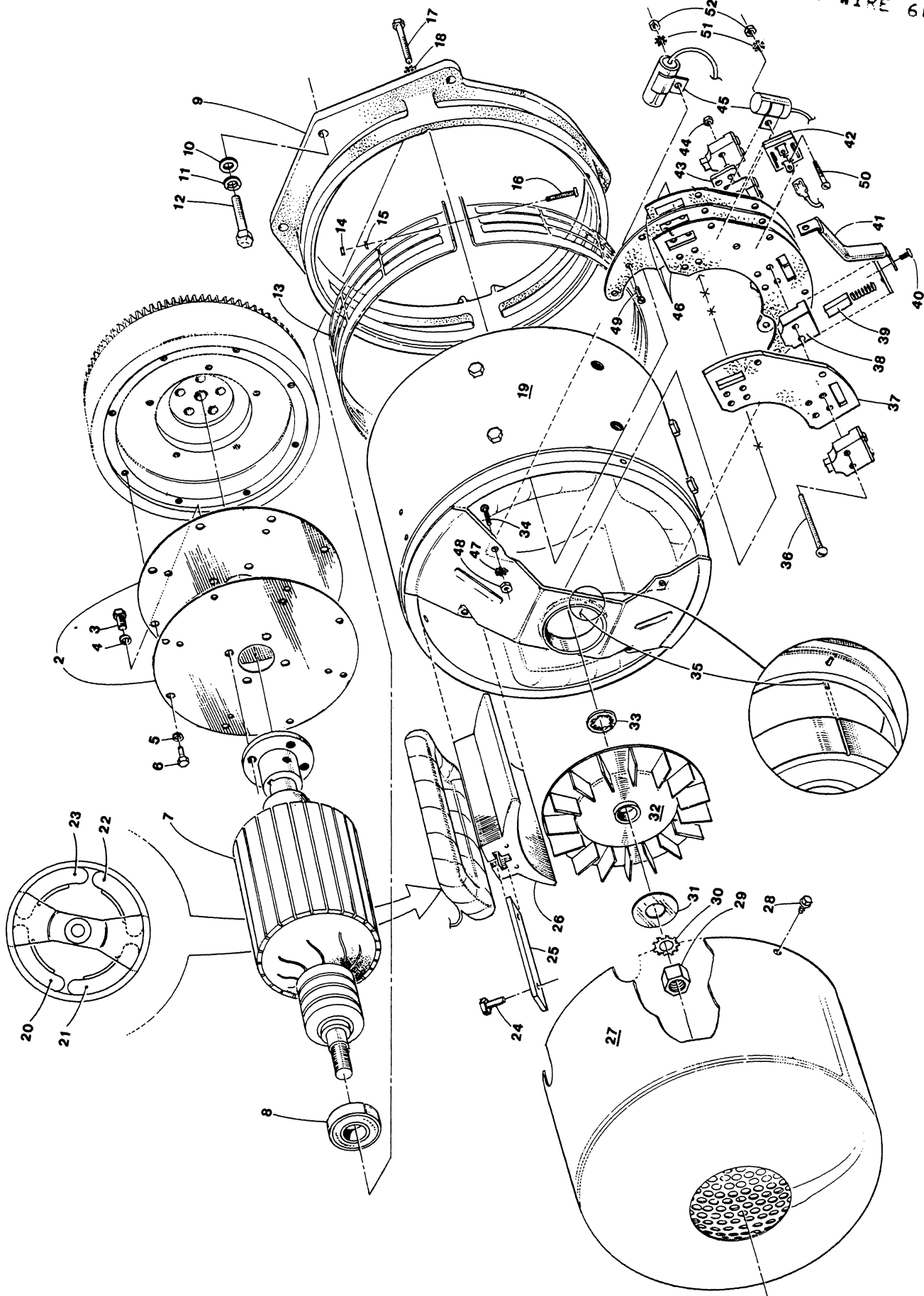
WESTERBEKE 4.4-7.7-11-12.5KW - GENERATOR MOUNTING SYSTEM



WESTERBEKE 4.4-7.7-11-12.5KW - GENERATOR MOUNTING SYSTEM

REF	P N	NAME	REMARKS	QUAN
1	24832	MOUNT	GENERATOR TO RAIL-REAR	2
2	31770	LOCKWASHER	7/16	4
3	31655	CAPSCREW	7/16NC X 1	4
4- 1	31711	CAPSCREW	1/2NC X 2-1/2 4.4-7.7KW	2
4- 2	31712	CAPSCREW	1/2 NC X 2-3/4 11-12.5KW	2
5	31777	WASHER	FLAT 1/2	4
6- 1	24776	ISOLATOR	4.4KW	2
6- 2	21529	ISOLATOR	7.7KW	2
6- 3	15238	ISOLATOR	11-12.5KW	2
7	24674	WASHER	SNUBBING	4
8	31776	LOCKWASHER	1/2	4
9	31774	NUT	1/2NC	4
10	24701	RAIL		2
11	31555	CAPSCREW	5/16NC X 1	16
12- 1	24776	ISOLATOR	4.4-7.7-11KW	2
12- 2	21529	ISOLATOR	12.5KW	2
13	31758	LOCKWASHER	5/16	16
14	31756	NUT	5/16NC	16
15	31711	CAPSCREW	1/2NC X 2-1/2	2
16	31280	STUD	M12 X 1.25 X 60-4.4KW	2
17	24957	NUT	M12 X 1.25 DIN 934-4.4KW	2
18	24992	MOUNT	FRONT 4.4KW	1
19	24833	MOUNT	FRONT 7.7-11-12.5KW	1
20	31223	CAPSCREW	M14 X 1.5 X 30 DIN 961-7.7-11-12.5KW	2
21	31797	LOCKWASHER	M14-7.7-11-12.5KW	2
22	24793	BRACKET	PANEL MOUNT 7.7-11-12.5KW	1
23	31606	CAPSCREW	3/8NC X 1-1/4	2
24	19024	ISOLATOR	PANEL MOUNT 7.7-11-12.5KW	4
25	31553	CAPSCREW	5/16NC X 3/4	1
26	31750	NUT	1/4NC	8
27	31752	LOCKWASHER	1/4	8
28	24873	PANEL	INSTRUMENT	1
29	30123	BRACKET	PANEL MOUNT 4.4KW	2
30	31503	CAPSCREW	1/4NC X 3/4	4
31	31752	LOCKWASHER	1/4	4
32	31750	NUT	1/4NC	4
33	31553	CAPSCREW	5/16NC X 3/4	4
34	31758	LOCKWASHER	5/16	4
35	31756	NUT	5/16NC	4
36	24675	DRIPTRAY		1
37	32290	STRAP	GROUND HOUSING TO RAIL	1
38	32291	STRAP	GROUND PANEL TO HOUSING	1
39	33574	PLATE	ISOLATOR TO RAIL REINFORCER	4

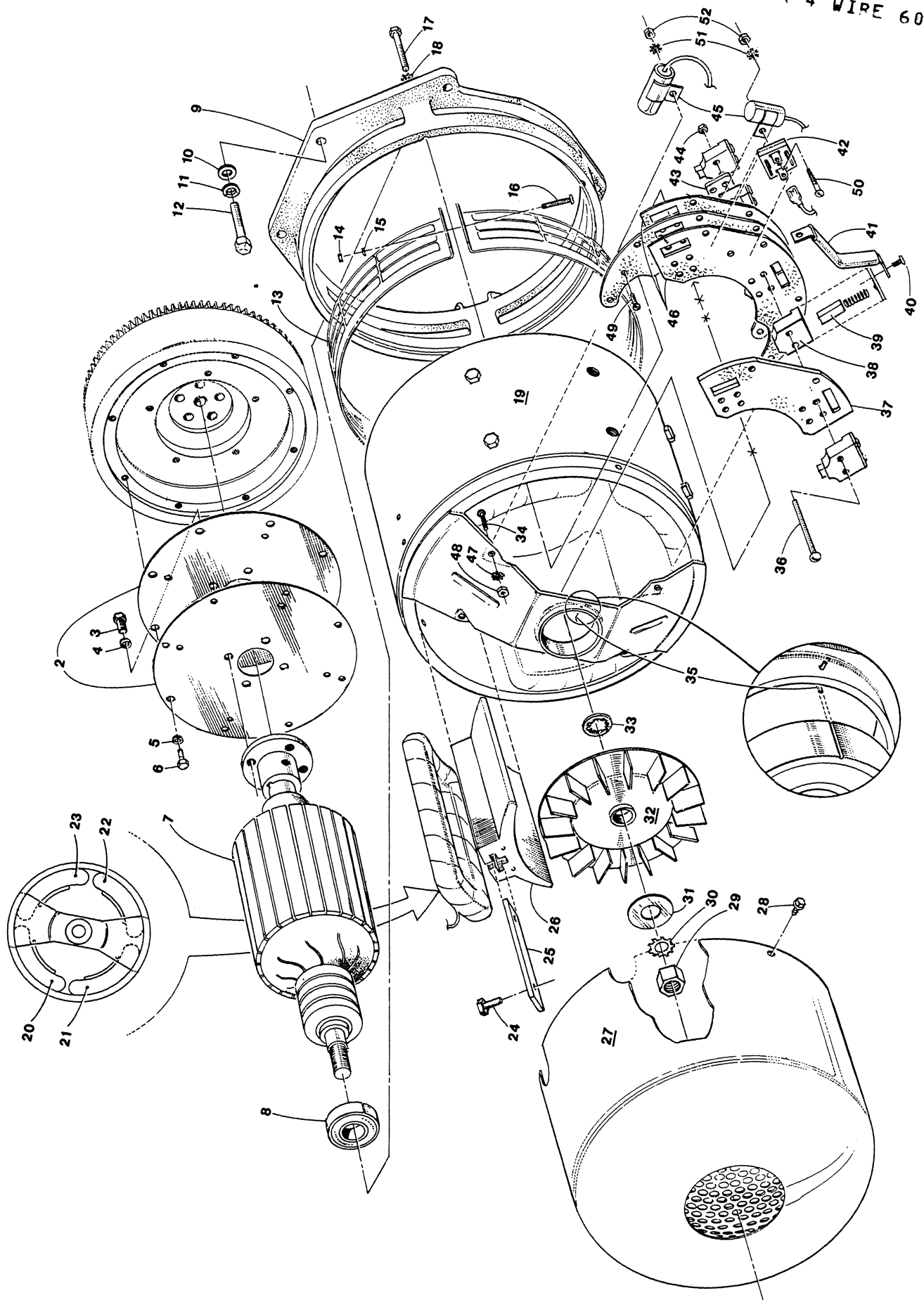
WESTERBEKE 4.4-7.7-11-12.5KW - GENERATOR 2 JR 4 WIRE 60 HERTZ



WESTERBEKE 4.4-7.7-11-12.5KW - GENERATOR 2 OR 4 WIRE 60 HERTZ

REF	PN	NAME	REMARKS	QUAN
1- 1	30860	GENERATOR	4.4KW-60HZ-115VAC-2 WIRE	1
1- 2	30862	GENERATOR	7.7KW-60HZ-115 OR 115/230VAC-4 WIRE	1
1- 3	30864	GENERATOR	11-12.5KW-60HZ-115 OR 115/230VAC-4WIRE	1
1- 4	33396	GENERATOR	8KW-60HZ-115 OR 115/230VAC-4 WIRE	1
1- 5	33289	GENERATOR	6KW-60HZ-115 OR 115/230VAC-4 WIRE	1
2	30115	PLATE	DRIVE DISC	2
3	31653	CAPSCREW	7/16-NC X 3/4	4
4	31770	LOCKWASHER	7/16	4
5	31758	LOCKWASHER	5/16	8
6	31553	CAPSCREW	5/16-NC X 3/4	8
7- 1	31076	ARMATURE	4.4KW 60HZ 2 WIRE	1
7- 2	33468	ARMATURE	3.2KW 50HZ 2 WIRE	1
7- 3	33829	ARMATURE	6KW 60HZ 4 WIRE	1
7- 4	31081	ARMATURE	7.7KW 60HZ 4 WIRE	1
7- 5	33812	ARMATURE	8KW 60HZ 4 WIRE	1
7- 6	31082	ARMATURE	11-12.5KW 60HZ 4 WIRE	1
7- 7	35818	ARMATURE	8.3-9.4KW 50HZ 4 WIRE	1
8	30822	BEARING		1
9	24620	ADAPTER	GENERATOR TO HOUSING	1
11	31764	LOCKWASHER	3/8	6
12	31607	CAPSCREW	3/8NC X 1-1/2	6
10	31765	WASHER	3/8	6
13	24788	GUARD		1
14	31847	NUT	10-32	1
15	31849	LOCKWASHER	10	1
16	31876	SCREW	10-32 X 1	1
17	31562	CAPSCREW	5/16NC X 2-3/4	4
18	31758	LOCKWASHER	5/16	4
19- 1	31075	HOUSING	FIELD COIL-4.4KW	1
19- 2	31073	HOUSING	FIELD COIL-7.7KW	1
19- 3	31074	HOUSING	FIELD COIL-11-12.5KW	1
19- 4	33834	HOUSING	FIELD COIL-6KW	1

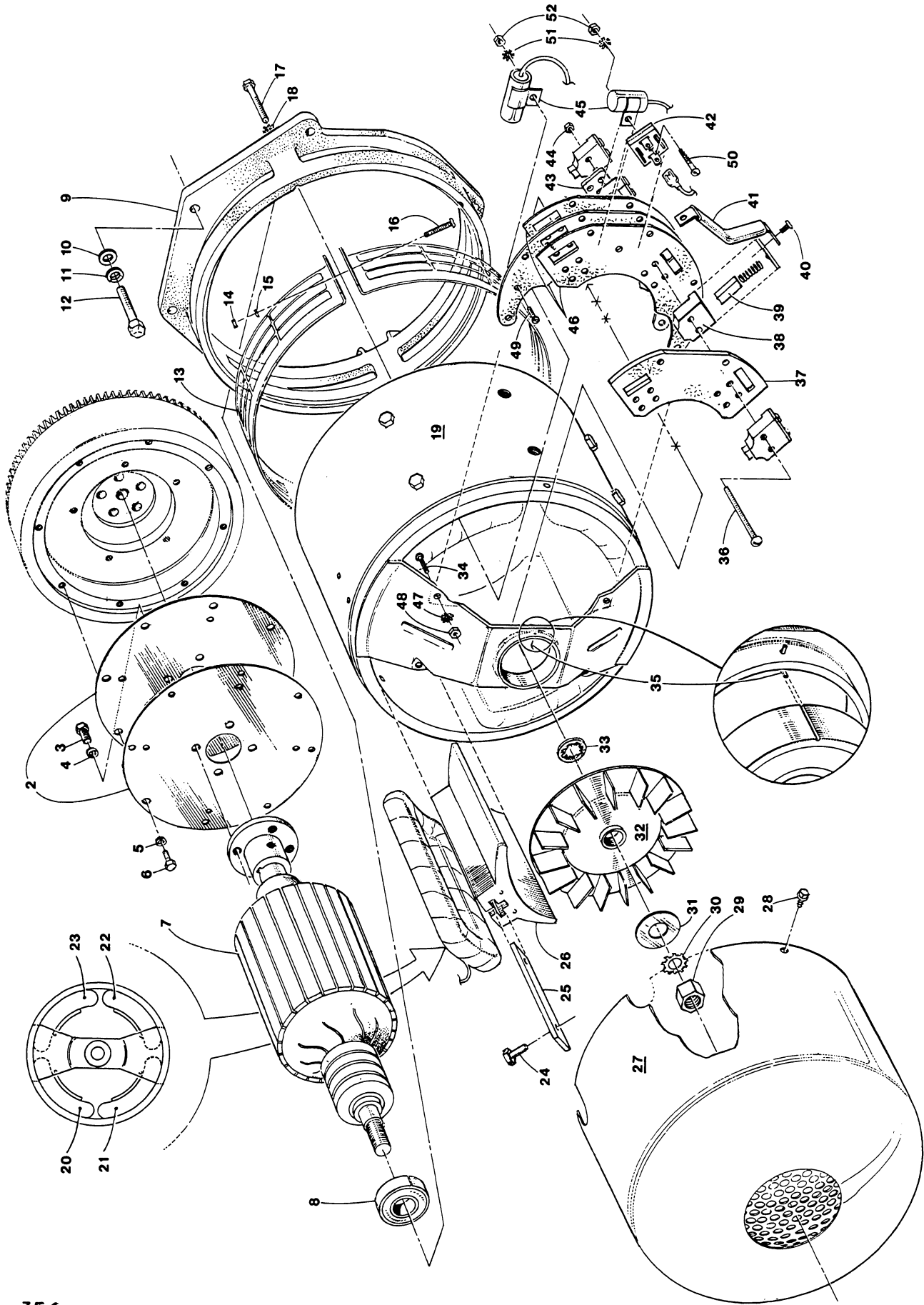
WESTERBEKE 4.4-7.7-11-12.5KW - GENERATOR 2 OR 4 WIRE 60 HERTZ



WESTERBEKE 4.4-7.7-11-12.5KW - GENERATOR 2 OR 4 WIRE 60 HERTZ

REF	PN	NAME	REMARKS	QUAN
20- 1	30835	COIL	FIELD-4.4KW	1
20- 2	31077	COIL	FIELD-7.7KW	1
20- 3	30830	COIL	FIELD-11-12.5KW	1
20- 4	33830	COIL	FIELD-6KW	1
20- 5	33837	COIL	FIELD-8KW	1
21- 1	30836	COIL	FIELD-4.4KW	1
21- 2	31078	COIL	FIELD-7.7KW	1
21- 3	30831	COIL	FIELD-11-12.5KW	1
21- 4	33831	COIL	FIELD-6KW	1
21- 5	33838	COIL	FIELD-8KW	1
22- 1	30837	COIL	FIELD-4.4KW	1
22- 2	31079	COIL	FIELD-7.7KW	1
22- 3	30832	COIL	FIELD-11-12.5KW	1
22- 4	33832	COIL	FIELD-6KW	1
22- 5	33839	COIL	FIELD-8KW	1
23- 1	30838	COIL	FIELD-4.4KW	1
23- 2	31080	COIL	FIELD-7.7KW	1
23- 3	30833	COIL	FIELD-11-12.5KW	1
23- 4	33833	COIL	FIELD-6KW	1
23- 5	33840	COIL	FIELD-8KW	1
24- 1	31607	CAPSCREW	3/8NC X 1-1/2-4.4KW	8
24- 2	31607	CAPSCREW	3/8NC X 1-1/2-7.7KW	12
24- 3	31607	CAPSCREW	3/8NC X 1-1/2-11-12.5KW	20
25- 1	31064	RETAINER	POLE SHOE-4.4KW	4
25- 2	31071	RETAINER	POLE SHOE-7.7KW	4
25- 3	31067	RETAINER	POLE SHOE-11-12.5KW	4
25- 4	33828	RETAINER	POLE SHOE-6KW	4
25- 5	33836	RETAINER	POLE SHOE-8KW	4
26- 1	30802	SHOE	POLE-4.4KW	4
26- 2	30819	SHOE	POLE-7.7KW	4
26- 3	30807	SHOE	POLE-11-12.5KW	4
26- 4	33827	SHOE	POLE-6KW	4
26- 5	33835	SHOE	POLE-8KW	4
27- 1	30813	COVER	GENERATOR END-4.4KW	1
27- 2	30803	COVER	GENERATOR END-7.7-11-12.5KW	1
28		SCREW	10-24 X 3/8 HEX HEAD THREAD CUTTING	2
29	30841	NUT	1/2NF JAM LOCKING	1
30		LOCKWASHER	1/2-EXTERNAL TOOTH	1
31	30798	WASHER	1/2 FLAT	1
32	30799	FAN		1
33	30805	LOCKWASHER		1

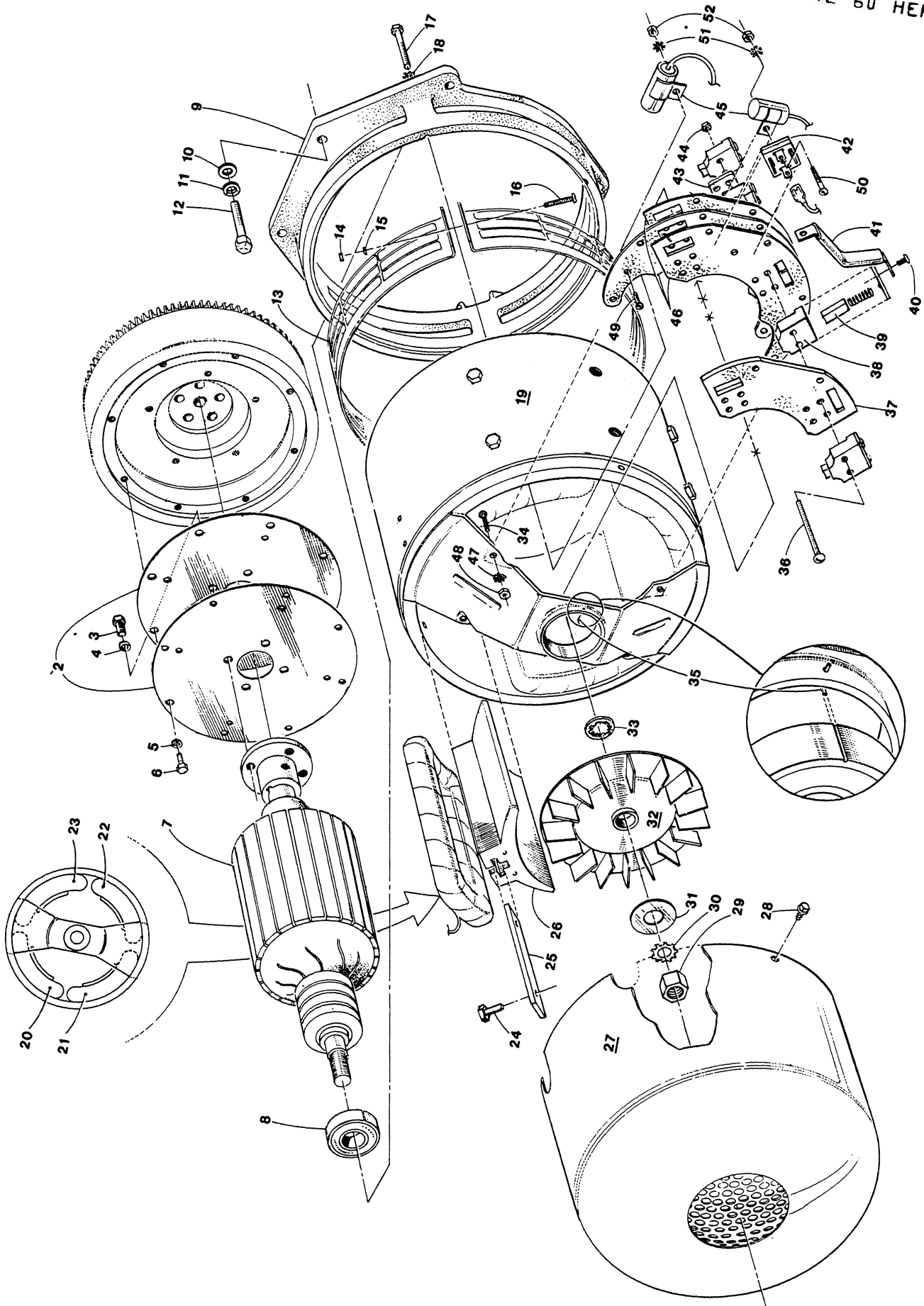
WESTERBEKE 4.4-7.7-11-12.5KW - GENERATOR 2 OR 4 WIRE 60 HERTZ



WESTERBEKE 4.4-7.7-11-12.5KW - GENERATOR 2 DR 4 WIRE 60 HERTZ

REF	PN	NAME	REMARKS	QUAN
34		SCREW	10-24 X 3/4	4
35	30823	PIN	BEARING LOCK	1
36- 1		SCREW	8-32 X 1-1/2 RH-4.4KW	6
36- 2		SCREW	8-32 X 3 RH-7.7KW	4
36- 3		SCREW	8-32 X 3 RH-11-12.5KW	8
37- 1	31068	SPACER	BRUSH HOLDER-7.7KW	1
37- 2	31068	SPACER	BRUSH HOLDER-11-12.5KW	2
38- 1	30800	HOLDER	BRUSH-4.4KW	6
38- 2	30801	HOLDER	BRUSH-7.7KW	8
38- 3	30801	HOLDER	BRUSH-11-12.5KW	16
39- 1	30814	BRUSH	4.4KW	6
39- 2	30804	BRUSH	7.7KW	8
39- 3	30804	BRUSH	11-12.5KW	16
40- 1		SCREW	8-32 X 5/16-4.4KW	12
40- 2		SCREW	8-32 X 5/16-7.7KW	16
40- 3		SCREW	8-32 X 5/16-11-12.5KW	32
41- 1	33395	STRAP	COPPER-4KW	2
41- 2	31065	STRAP	COPPER-7.7KW	4
41- 3	31066	STRAP	COPPER-11-12.5KW	8
42	30809	RECTIFIER		1
43- 1	31063	SPACER	FIBRE-7.7KW	10
43- 2	31063	SPACER	FIBRE-11-12.5KW	20
44- 1	31842	NUT	8-32-4.4KW	6
44- 2	31842	NUT	8-32-7.7KW	4
44- 3	31842	NUT	8-32-11-12.5KW	8
45- 1	30806	CAPACITOR	4.4KW	1
45- 2	30806	CAPACITOR	7.7-11-12.5KW	2
46- 1	31070	PLATE	BRUSH MOUNTING-4.4KW	2
46- 2	31072	PLATE	BRUSH MOUNTING-7.7KW	3
46- 3	31069	PLATE	BRUSH MOUNTING-11-12.5KW	6
47	31850	LOCKWASHER	INTERNAL TOOTH 10	4
48		NUT	10-24	4
49- 1		SCREW	8-32 X 1/4-4.4-7.7KW	1
49- 2		SCREW	8-32 X 5/8-11-12.5KW	1
50- 1		SCREW	8-32 X 7/8-4.4KW	1
50- 2		SCREW	8-32 X 1-1/4-7.7-11-12.5KW	1
51		LOCKWASHER	8-EXTERNAL TOOTH	2
52	31842	NUT	8-32	2

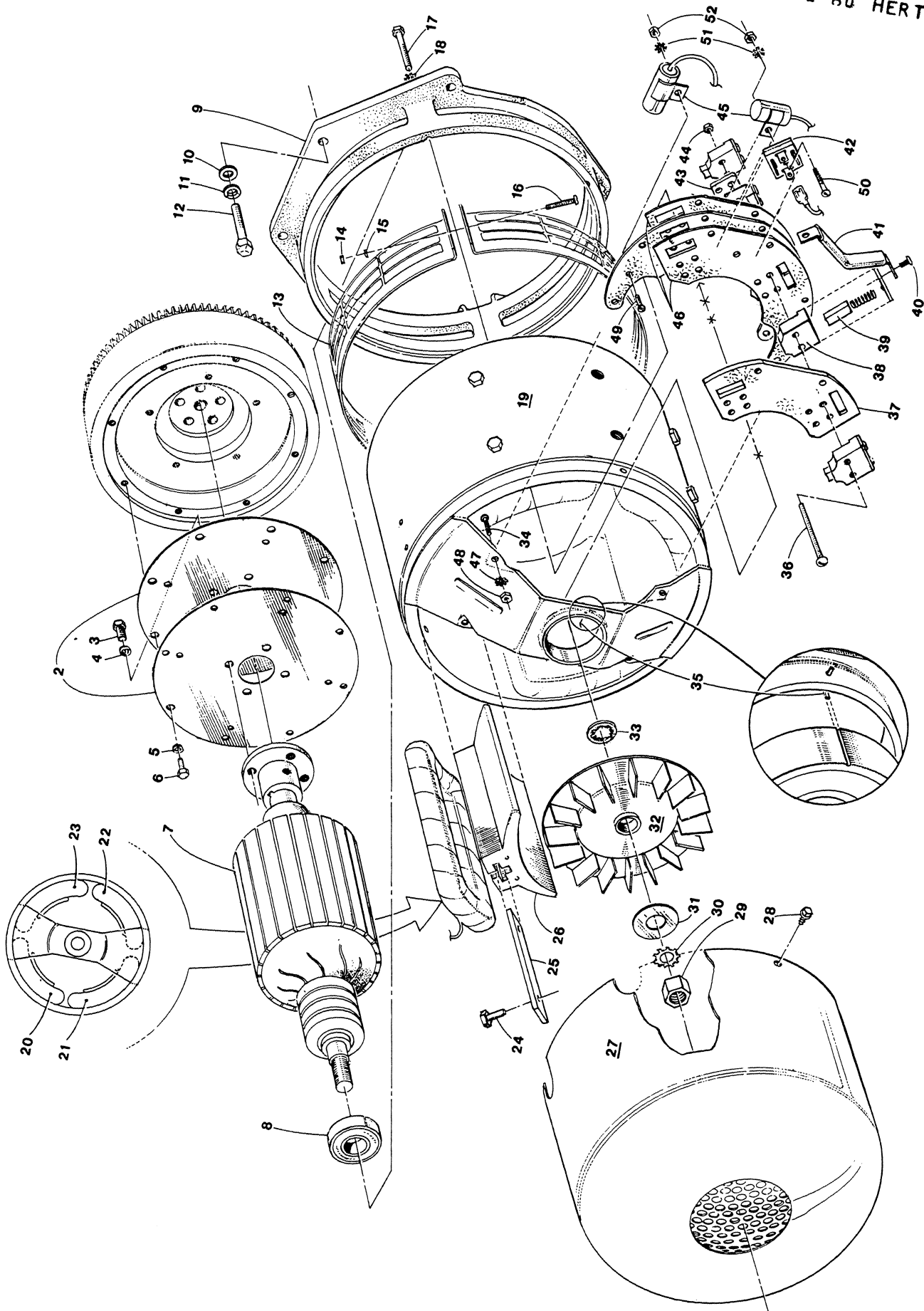
WESTERBEKE 4.4-7.7-11-12.5KW - GENERATOR 3 WIRE 60 HERTZ



WESTERBEKE 4.4-7.7-11-12.5KW - GENERATOR 3 WIRE 60 HERTZ

REF	PN	NAME	REMARKS	QUAN
1- 1	24759	GENERATOR	4.4KW-60HZ-115/230VAC-3 WIRE	1
1- 2	24760	GENERATOR	7.7KW-60HZ-115/230VAC-3 WIRE	1
1- 3	24761	GENERATOR	11-12.5KW-60HZ-115/230VAC-3 WIRE	1
2	30115	PLATE	DRIVE DISC	2
3	31653	CAPSCREW	7/16NC X 3/4	4
4	31770	LOCKWASHER	7/16	4
5	31758	LOCKWASHER	5/16	8
6	31553	CAPSCREW	5/16NC X 3/4	8
7- 1	30826	ARMATURE	4.4KW	1
7- 2	30825	ARMATURE	7.7KW	1
7- 3	30824	ARMATURE	11-12.5KW	1
7- 4	32526	ARMATURE	3.2KW 50HZ	1
8	30822	BEARING		1
9	24620	ADAPTER	GENERATOR TO HOUSING	1
10	31765	WASHER	3/8	6
11	31764	LOCKWASHER	3/8	6
12	31607	CAPSCREW	3/8NC X 1-1/2	6
13	24788	GUARD		1
14	31847	NUT	10-32	1
15	31849	LOCKWASHER	10	1
16	31876	SCREW	10-32 X 1	1
17	31562	CAPSCREW	5/16NC X 2-3/4	4
18	31758	LOCKWASHER	5/16	4
19- 1	30834	HOUSING	WITH FIELD COIL & BRUSH ASSY-4.4KW	1
19- 2	30821	HOUSING	WITH FIELD COIL & BRUSH ASSY-7.7KW	1
19- 3	30810	HOUSING	WITH FIELD COIL & BRUSH ASSY-11-12.5KW	1
20- 1	30835	COIL	FIELD-4.4KW	1
20- 2	30815	COIL	FIELD-7.7KW	1
20- 3	30830	COIL	FIELD-11-12.5KW	1
21- 1	30836	COIL	FIELD-4.4KW	1
21- 2	30816	COIL	FIELD-7.7KW	1
21- 3	30831	COIL	FIELD-11-12.5KW	1
22- 1	30837	COIL	FIELD-4.4KW	1
22- 2	30817	COIL	FIELD-7.7KW	1
22- 3	30832	COIL	FIELD-11-12.5KW	1
23- 1	30838	COIL	FIELD-4.4KW	1
23- 2	30818	COIL	FIELD-7.7KW	1
23- 3	30833	COIL	FIELD-11-12.5KW	1
26- 1	30802	SHOE	POLE-4.4KW	4
26- 2	30819	SHOE	POLE-7.7KW	4
26- 3	30807	SHOE	POLE-11-12.5KW	4
27- 1	30813	COVER	GENERATOR END-4.4KW	1
27- 2	30803	COVER	GENERATOR END-7.7-11-12.5KW	1
28		SCREW	10-24 X 3/8 HEX HEAD THREAD CUTTING	2
29	30841	NUT	1/2NF JAM LOCKING	1
30		LOCKWASHER	1/2-EXTERNAL TOOTH	1
31	30798	WASHER	1/2	1
32	30799	FAN		1
33	30805	LOCKWASHER	INTERNAL TOOTH	1
35	30823	PIN	BEARING LOCK	1

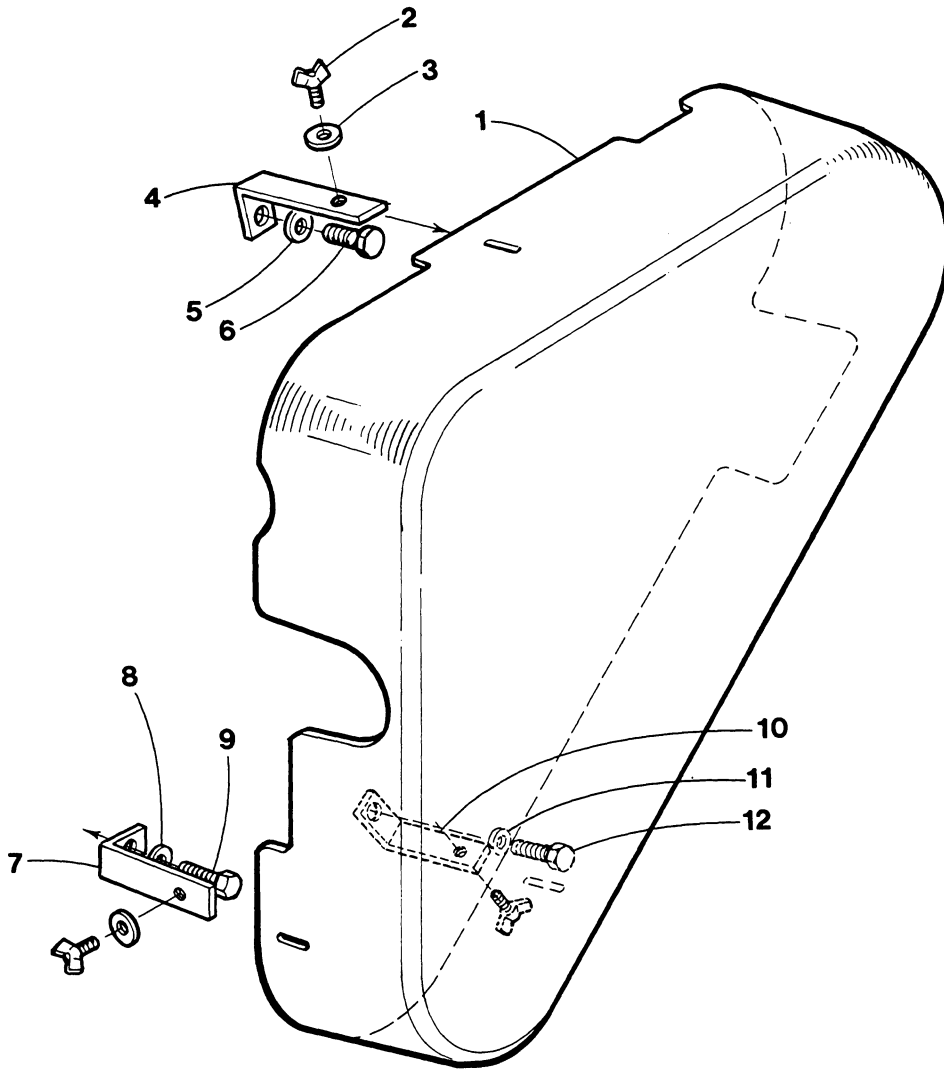
WESTERBEKE 4.4-7.7-11-12.5KW - GENERATOR 3 WIRE 60 HERTZ



WESTERBEKE 4.4-7.7-11-12.5KW - GENERATOR 3 WIRE 60 HERTZ

REF	PN	NAME	REMARKS	QUAN
38- 1	30800	HOLDER	BRUSH-4.4KW	6
38- 2	30800	HOLDER	BRUSH-7.7-11-12.5KW-Q	2
38- 3	30801	HOLDER	BRUSH-7.7KW-AC	6
38- 4	30801	HOLDER	BRUSH-11-12.5KW-AC	12
39- 1	30814	BRUSH	4.4KW	6
39- 2	30808	BRUSH	7.7-11-12.5KW-Q	2
39- 3	30804	BRUSH	7.7KW-AC	6
39- 4	30804	BRUSH	11-12.5KW-AC	12
42	30809	RECTIFIER		1
45- 1	30806	CAPACITOR	4.4KW	2
45- 2	30806	CAPACITOR	7.7-11-12.5KW	3
46- 1	30839	BRUSH ASSY	REF 36-52-4.4KW	1
46- 2	30820	BRUSH ASSY	REF 36-52-7.7KW	1
46- 3	30811	BRUSH ASSY	REF 36-52-11-12.5KW-LH	1
46- 4	30812	BRUSH ASSY	REF 36-52-11-12.5KW-RH	1

WESTERBEKE GENERATOR BELT GUARD



WESTERBEKE GENERATOR BELT GUARD

REF	P N	NAME	REMARKS	QUAN
1- 1	33007	GUARD	BELT 4.4KW	1
1- 2	32929	GUARD	BELT 6-7.7-8-11KW	1
1- 3	33050	GUARD	BELT 12.5KW	1
1- 4	34236	GUARD	BELT BT-8KW	1
2	33228	SCREW	WING 10-32 X 1/2	3
3- 1	31849	LOCKWASHER	10	3
3- 2	33372	WASHER	FLAT	3
4- 1	33063	BRACKET	TOP 4.4-6-7.7-8-11KW	1
4- 2	33227	BRACKET	TOP 12.5KW	1
4- 3	34606	BRACKET	TOP BT-8KW	1
4- 4	33063	BRACKET	TOP BC-4.4KW	1
4- 5	33380	BRACKET	TOP BC-6KW	1
7- 1	33250	BRACKET	LEFT 4.4KW-BC-4.4KW	1
7- 2	33227	BRACKET	LEFT 7.7-8-11KW	1
7- 3	33380	BRACKET	LEFT 12.5KW-BT-8KW	1
7- 4	33226	BRACKET	LEFT BC-6KW	1
10- 1	33248	BRACKET	RIGHT 4.4KW-BC-4.4KW-BC-6KW	1
10- 2	33380	BRACKET	RIGHT 7.7-8-BT-8KW	1
10- 3	33063	BRACKET	RIGHT 11KW	1
10- 4	33375	BRACKET	RIGHT 12.5KW	1

WESTERBEKE 13-21-27-33 - MISCELLANEOUS

REF	PN	NAME	REMARKS	QUAN
1- 1	24933	KIT A	SPARE PARTS-W13-4KW	1
1- 2	35008	KIT A	SPARE PARTS-W13A-BC-4.4KW	1
1- 3	35010	KIT A	SPARE PARTS-W18-21A-27A-BC-6KW-BT-8KW	1
1- 4	24935	KIT A	SPARE PARTS-W21-27-6KW-7.7KW-11KW	1
1- 5	24939	KIT A	SPARE PARTS-W33-12.5KW	1
1- 6	35014	KIT A	SPARE PARTS-W33A	1
2- 1	24934	KIT B	SPARE PARTS-EXTD CRUISING-W13-4KW	1
2- 2	35009	KIT B	SPARE PARTS-EXTD CRUISING-W13A-BC-4.4KW	1
2- 3	35011	KIT B	SPARE PARTS-EXTD CRUISING-W18-BC-6KW	1
2- 4	24936	KIT B	SPARE PARTS-EXTD CRUISING-W21-7.7KW	1
2- 5	35012	KIT B	SPARE PARTS-EXTD CRUISING-W21A-BT-8KW	1
2- 6	24938	KIT B	SPARE PARTS-EXTD CRUISING-W27-11KW	1
2- 7	35013	KIT B	SPARE PARTS-EXTD CRUISING-W27A	1
2- 8	24940	KIT B	SPARE PARTS-EXTD CRUISING-W33-12.5KW	1
2- 9	35015	KIT B	SPARE PARTS-EXTD CRUISING-W33A	1
2-10	33777	KIT B	SPARE PARTS-EXTD CRUISING-6KW	1
3- 1	30722	GASKET SET	UPPER-W13-13A	1
3- 2	33775	GASKET SET	UPPER-W18	1
3- 3	30724	GASKET SET	UPPER-W21-21A	1
3- 4	30726	GASKET SET	UPPER-W27-27A	1
3- 5	30728	GASKET SET	UPPER-W33-33A	1
4- 1	30723	GASKET SET	COMPLETE-W13-13A	1
4- 2	33776	GASKET SET	COMPLETE-W18	1
4- 3	30725	GASKET SET	COMPLETE-W21-21A	1
4- 4	30727	GASKET SET	COMPLETE-W27-27A	1
4- 5	30729	GASKET SET	COMPLETE-W33-33A	1
5	11592	PUMP	HAND-TO PUMP LUBE OIL FROM SUMP	1
6	32974	FILTER	PRIMARY FUEL	1
7- 1	32550	MUFFLER	HYDRO-HUSH WATER LIFT-FIBERGLASS	1
7- 2	13174	MUFFLER	HYDRO-HUSH WATER LIFT-STAINLESS	1
8	12169	LINE	FLEXIBLE EXHAUST-STAINLESS-1.5 X 12 LG	1
9	15010	STRAINER	SEA WATER	1
10	13758	PAINT	RED-AEROSOL SPRAY CAN	1
11	20654	SPLITTER	ALTERNATOR OUTPUT	1
12	30760	HARNESS	15 FOOT PANEL EXTENSION	1
13	32149	FILTER	REMOTE LUBE OIL-KIT	1
14- 1	32008	SWITCH	GENERATOR SHIP-SHORE-4.4KW	1
14- 2	32009	SWITCH	GENERATOR SHIP-SHORE-7.7KW	1
14- 3	32010	SWITCH	GENERATOR SHIP-SHORE-11-12.5KW	1
15	33093	KIT	FUEL HARDWARE	1
16- 1	30041	MANUAL	TECHNICAL	1
16- 2	32363	MANUAL	OPERATOR-W13-21-27-33	1
16- 3	32461	MANUAL	OPERATOR-4-7.7-11-12.5KW	1
16- 4	36195	MANUAL	OPERATOR-W13A-18-21A-27A-33A	1
16- 5	35383	MANUAL	OPERATOR-BT-8KW	1
18- 1	33778	KIT	GENERATOR SPARE PARTS-3-4.4KW	1
18- 2	33784	KIT	GENERATOR SPARE PARTS-6-12.5KW	1
18- 3		NOTE	KIT INCL RECTIFIER-OIL PRESSURE SWITCH &	
18- 4			BRUSHES FOR 1 SLIP RING	
19	34410	REGULATOR	ELECTRONIC VOLTAGE 8KW-BT	1