



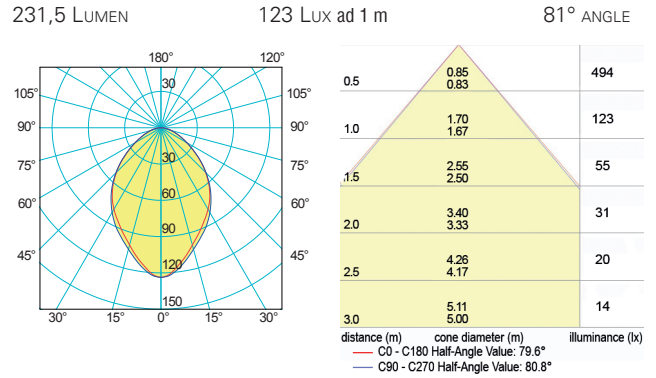
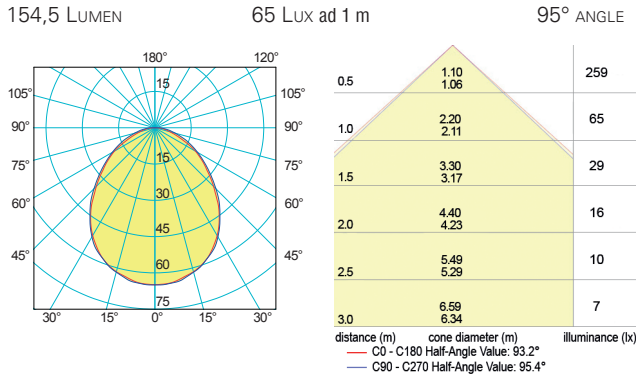
**SEXTANS BIG QB**

art./ref. 5077

**LED**

**Power Led 3**

LIGHTING

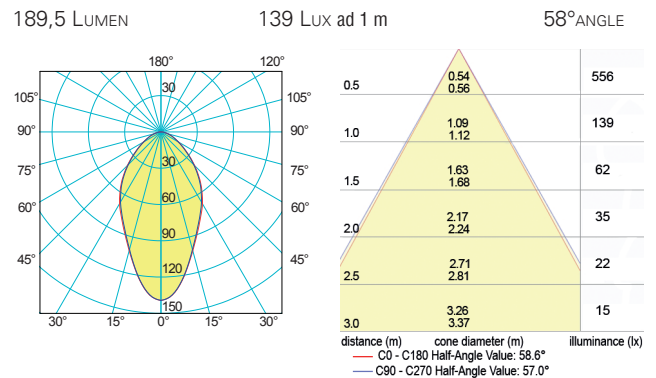
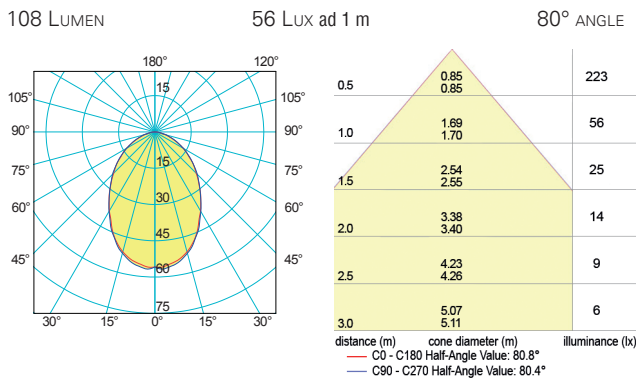


**SEXTANS QB**

art./ref. 5075

**LED**

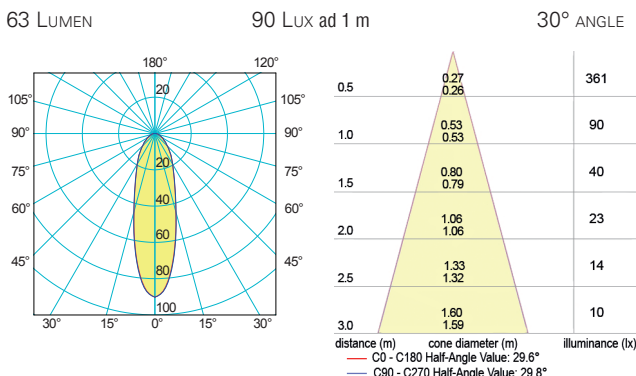
**Power Led 3**



**SEXTANS SMALL QB**

art./ref. 5175

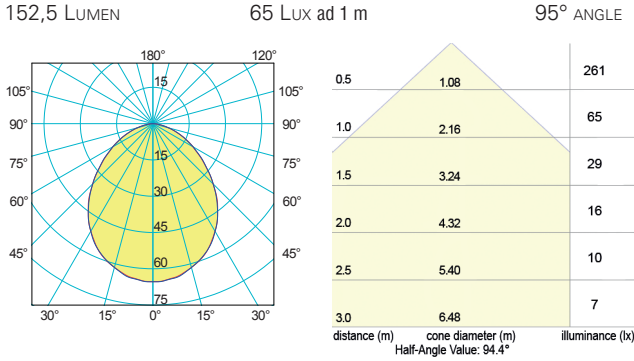
**Power Led 1**



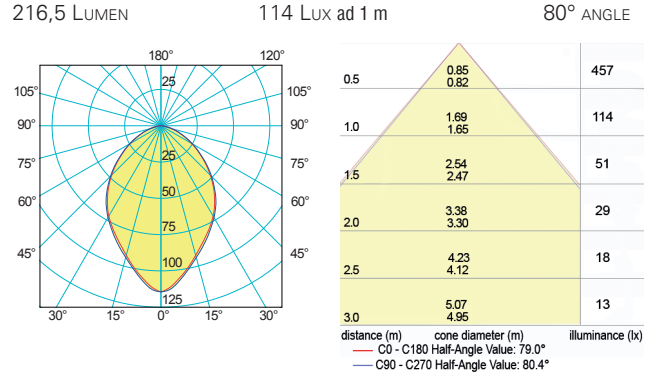


**SEXTANS BIG Q**  
art./ref. 5087

**LED**

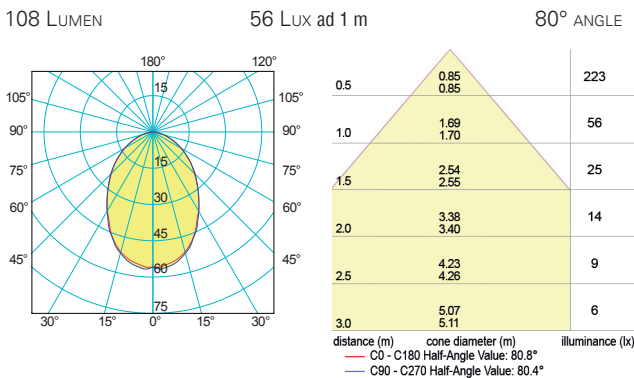


**Power Led 3**

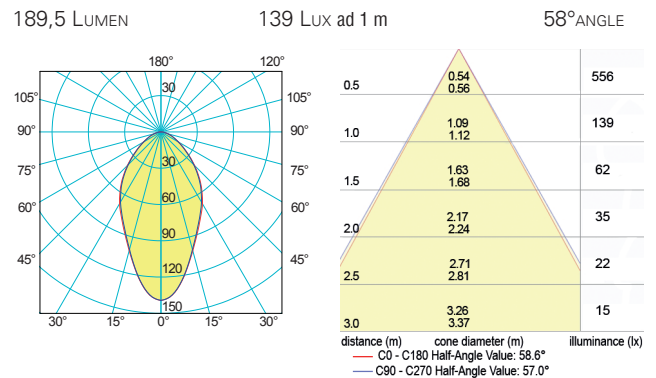


**SEXTANS Q**  
art./ref. 5080

**LED**



**Power Led 3**



**SEXTANS SMALL Q**  
art./ref. 5170

**Power Led 1**

