

PORCELA SERIES

Porcelain Enamel Steel Bar/Prep Bowl Model

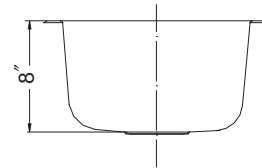
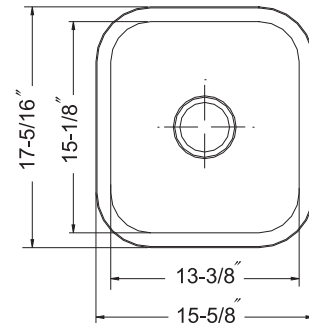
- | | |
|------------------------|-------------------------|
| PCB-1750 WH - White | PCB-1750 BQ - Biscuit |
| PCB-1750 ES - Espresso | PCB-1750 NB - Navy Blue |
| PCB-1750 BL - Black | PCB-1750 MT - Mint |
| PCB-1750 LE - Lemon | PCB-1750 SL - Slate |



PCB-1750

FEATURES

- Non-porous glossy surface
- 8" depth, 3-1/2" drain opening
- Chip, crack and scratch resistant
- 8 distinctive colors
- Double baked at 1500°F
- Sound absorbing foam pad
- Easy undermount installation
- Fits 24" sink base
- Supplied with cutout template, fasteners and instructions
- 10 year Limited Warranty



OPTIONAL COLORS



Color variations possible due to printing constraints.

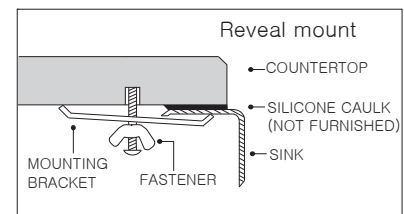
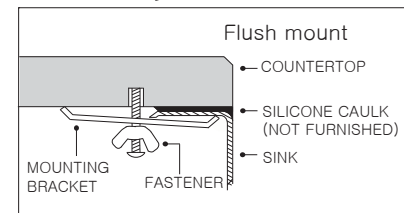
OPTIONAL ACCESSORIES

- Bottom Grid: BG-3100
- Strainer :
- 190-9180 - Stainless Steel
- 190-9261 - Polar White
- 190-9262 - Bone

OVERALL DIMENSIONS	EACH BOWL	CUTOUT SIZE	PACKAGING*	WEIGHT*
15-5/8" x 17-5/16"	13-3/8" x 15-1/8"	See Template	1/16 pcs.	16/300lbs.

*Standard packaging: Single boxed /Pallet of single boxed.
All dimensions are in inches. Specifications subject to change without notice.

Installation profile



Project/Job name _____

Architect/Engineer _____

Contractor _____

Model _____ Q'ty _____

Notes _____