

Service Parts

Marine Generator Sets



Models:

7EFOZD/9EOZD
8.5EFOZD/10EOZD
9EFOZD/10EOZD

KOHLER[®]
POWER SYSTEMS

ISO 9001
KOHLER
POWER SYSTEMS
NATIONALLY REGISTERED

TP-6270 11/10d

Table of Contents

Description	Page
Introduction	3
Numbering System Significance	3
Illustrations	3
How to Find Part Numbers	3
Hardware References	3
Specification Number Index	4
Group 1: Cylinder Block	6
Group 2: Gear Housing	8
Group 3: Mounting Flange and Oil Sump	10
Group 4: Cylinder Head	12
Group 5: Intake Manifold	16
Group 6: Camshaft and Drive Gear	17
Group 7: Crankshaft and Piston	19
Group 8: Lubrication Oil System	21
Group 9: Cooling Water System	23
Group 10: Fuel Injection Pump	25
Group 11: Governor	32
Group 12: Fuel Injection Valve	36
Group 13: Fuel Line and Filter	39
Group 14: Starting Motor	41
Group 15: Gasket Set	43
Group 101: Air Intake	46
Group 103: Fuel System	47
Group 104: Cooling System	48
Group 105: Engine	52
Group 107: Nameplate and Decals	54
Group 109: Skid and Plant Mounting	55
Group 201: Generator and Mounting	56
Group 301: Controller and Mounting	58
Group 701: Literature	59
Paint and Miscellaneous Parts	59
Parts List: Accessories	60
Appendix A. Glossary of Abbreviations	67
Appendix B. Common Hardware Application Guidelines	69
Appendix C. General Torque Specifications	70
Appendix D. Common Hardware Identification	71
Appendix E. Common Hardware List	72

Introduction

This manual lists service replacement parts for 8.5EFOZD/10EOZD, 9EFOZD/10EOZD, and 7EFOZD/9EOZD generator sets.

Information in this publication represents data available at the time of print. Kohler Co. reserves the right to change this publication and the products represented without notice and without any obligation or liability whatsoever.

This manual includes the following main sections:

Table of Contents. Lists the sections of the manual.

Introduction (and other information sections). Contains introductory material about part numbers, illustrations, and hardware.

Specification Number Index. Lists the generator set specs and groups.

Group Parts Lists. List the part numbers of parts in the groups.

Kit Sections. List modules and accessories and their parts.

Appendices. Include Abbreviations, Common Hardware Application Guidelines, General Torque Specifications, Common Hardware Identification, and Common Hardware List.

x:in:004:002

Numbering System Significance

This manual uses the following numbering systems:

Specification Number. The product identification number located on the generator set nameplate. Specification numbers break down into groups.

Group Number. A unique number representing a parts group needed to assemble a generator set function. For example, Group 101 is the Air Intake group.

Variation or Module Number. A group might have several variations. Each variation performs the same function with different parts lists. For example, a 50 Hz generator alternator and a 60 Hz generator alternator both perform the same function; however, with different parts. Each difference requires a group variation or module number.

Part Number. The part number identifies an individual assembly, subassembly, component, or accessory kit.

x:in:004:003:a

Illustrations

Illustrations (or exploded-view drawings) best representing the widest range of variations accompany most groups in this manual. Illustrations do not depict all details and may not show all parts. Do not use illustrations for assembly or disassembly.

x:in:004:004a

How to Find Part Numbers

Use the following steps to locate a service replacement part.

1. Locate the generator set nameplate to **identify the generator set spec number**.
2. Locate a second generator set nameplate listing accessories to **identify installed modules**. On some models the accessory nameplate is mounted inside the generator junction box.
3. **Turn to the Specification Number Index**. The first column lists the generator set spec numbers. The headings identify the groups of parts that make up the generator set.
4. **Identify the group** most likely to include the service part number.
5. **Find the group variation number** at the intersection of the spec number row and the group column. Note the variation number.
6. **Page forward to locate the group** identified in step 4 or find the appropriate page in the Table of Contents.
7. **Find the part on the illustration** and note the item number of the part or **find the part description in the parts list**.
8. Select the **part number that corresponds to your group variation**. The first column lists the illustration item number. Find the variation identified in the Specification Number Index or the module number found on the generator set nameplate in the appropriate column on the right side of the parts list table. Find the quantity used at the intersection of the item number row and the variation column. A blank space at the intersection means the variation/module does not use that part number.

x:in:004:005

Hardware References

Many common hardware items do not appear in parts manuals or will appear as common hardware entries. A common hardware entry lists the size of the hardware. For example, an item that appears as "Hardware, 3/8-16" in the text means that the piece is 3/8-16 size. Obtain common hardware locally or, if contacting the factory, use the Common Hardware List in the appendix to identify the common hardware part number and specifications. See Common Hardware Application Guidelines in the appendix for mating hardware instructions.

Some hardware items require a specific size or some other characteristic. In that case, use the part number listed in the text.

When replacing hardware, do not substitute inferior grade hardware. Replacement hardware grade should be equal to or better than the grade of the manufacturer's original hardware. Use the Common Hardware List in the appendix to identify the common hardware hardness.

x:in:004:006

Specification Number Index

Group Title		<i>Cylinder Block</i>	<i>Gear Housing</i>	<i>Mounting Flange & Oil Sump</i>	<i>Cylinder Head</i>	<i>Intake Manifold</i>	<i>Camshaft and Drive Gear</i>	<i>Crankshaft and Piston</i>	<i>Lube Oil System</i>	<i>Cooling Water System</i>	<i>Fuel Injection Pump</i>	<i>Governor</i>	<i>Fuel Injection Valve</i>	<i>Fuel Line and Filter</i>	<i>Starting Motor</i>
Group No.	1	2	3	4	5	6	7	8	9	10	11	12	13	14	
Spec No.	Variation Number														

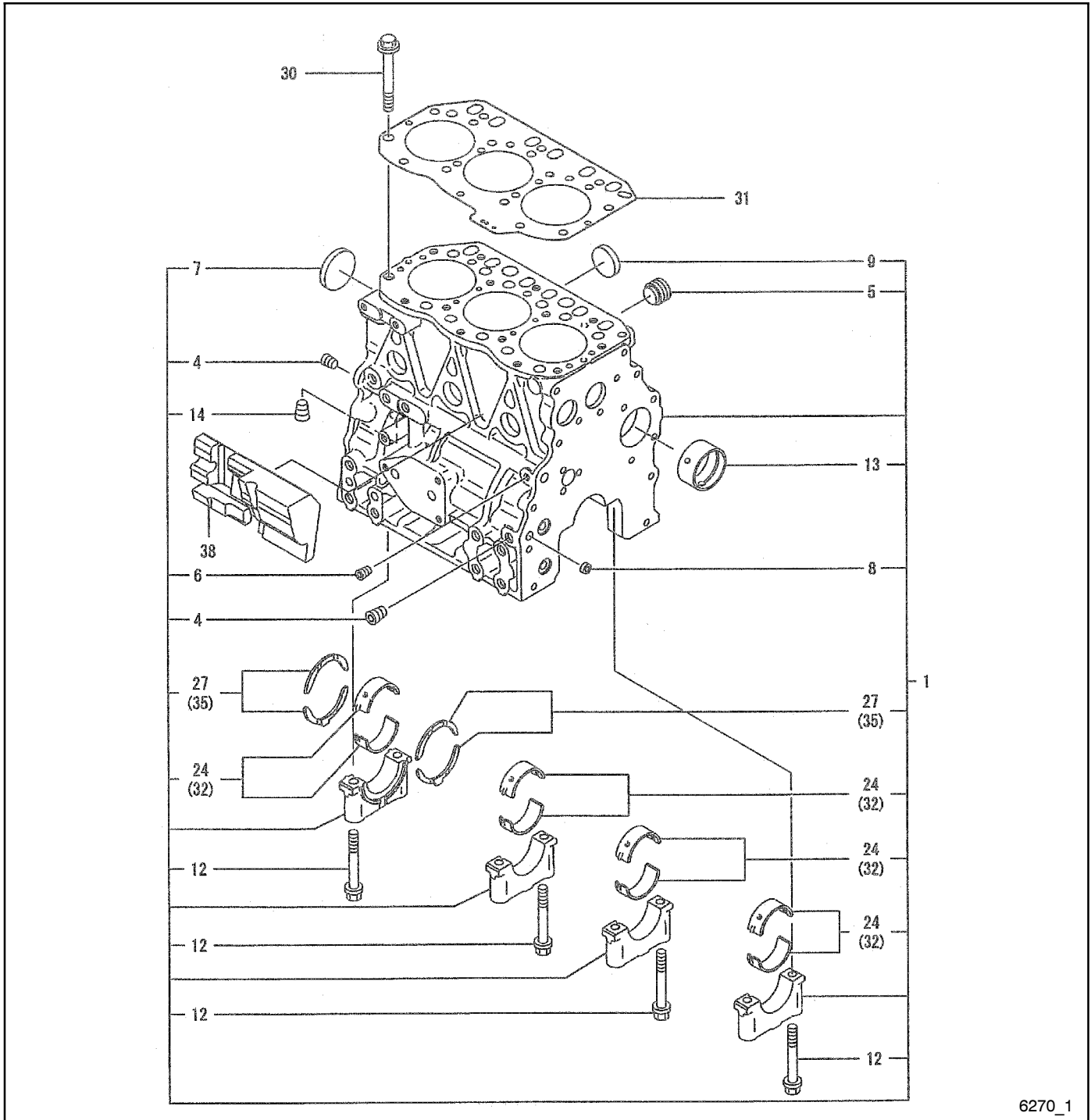
GM30507-GA1	1	1	1	1	1	1	1	1	1	1	-	1	1	1
GM30507-GA2	1	1	1	1	1	1	1	1	2	2	-	1	1	2
GM30507-GA3	1	1	1	1	1	1	1	1	1	1	-	1	1	1
GM30507-GA4	1	1	1	1	1	1	1	1	2	2	-	1	1	2
GM30507-GA5	1	1	1	3	1	1	4	1	5	5	2	1	1	1
GM30507-GA6	1	1	1	3	1	1	4	1	6	5	3	1	1	2
GM30507-GA7	1	1	1	3	1	1	4	1	5	5	2	1	1	1
GM30507-GA8	1	1	1	3	1	1	4	1	6	5	3	1	1	2
GM37403-GA1	2	2	2	2	-	2	2	2	3	3	-	2	2	3
GM37403-GA2	2	2	2	2	-	2	2	2	3	3	-	2	2	3
GM37403-GA3	3	3	3	2	-	2	3	3	4	4	1	3	3	1
GM55351-GA1	3	3	3	2	-	2	3	3	4	4	1	3	3	1
GM55351-GA2	3	3	3	2	-	2	3	3	4	4	1	3	3	1
GM55350-GA1	1	1	1	1	1	1	1	1	1	1	-	1	1	1
GM55350-GA2	1	1	1	1	1	1	1	1	2	2	-	1	1	1
GM55350-GA3	1	1	1	1	1	1	1	1	1	1	-	1	1	1
GM55350-GA4	1	1	1	1	1	1	1	1	2	2	-	1	1	1
GM55350-GA5	1	1	1	3	1	1	4	1	5	5	2	1	1	1
GM55350-GA6	1	1	1	3	1	1	4	1	6	5	3	1	1	2
GM55350-GA7	1	1	1	3	1	1	4	1	5	5	2	1	1	1
GM55350-GA8	1	1	1	3	1	1	4	1	6	5	3	1	1	2

Specification Number Index

Group Title	<i>Gasket Set</i>	<i>Air Intake</i>	<i>Fuel System</i>	<i>Cooling System</i>	<i>Engine</i>	<i>Nameplates and Decals</i>	<i>Skid and Plant Mounting</i>	<i>Generator and Mounting</i>	<i>Controller and Mounting</i>	<i>Literature</i>
Group No.	15	101	103	104	105	107	109	201	301	701
Spec No.	Variation Number									

GM30507-GA1	1	GR1	GR2	GR3	GR4	GR5	GR6	GR7	GR16	44
GM30507-GA2	1	GR1	GR9	GR10	GR11	GR5	GR6	GR7	GR15	44
GM30507-GA3	1	GR1	GR2	GR3	GR4	GR14	GR6	GR13	GR16	44
GM30507-GA4	1	GR1	GR9	GR10	GR11	GR14	GR6	GR13	GR15	44
GM30507-GA5	3	GR1	GR2	GR3	GR17	GR5	GR6	GR7	GR16	44
GM30507-GA6	3	GR1	GR9	GR10	GR18	GR5	GR6	GR7	GR15	44
GM30507-GA7	3	GR1	GR2	GR3	GR17	GR14	GR6	GR13	GR16	44
GM30507-GA8	3	GR1	GR9	GR10	GR18	GR14	GR6	GR13	GR15	44
GM37403-GA1	2	2	3	3	3	3	2	3	3	69
GM37403-GA2	2	2	3	3	4	3	2	3	3	69
GM37403-GA3	2	2	4	3	5	3	2	3	3	69
GM55351-GA1	2	3	5	4	6	4	3	4	4	69
GM55351-GA2	2	3	5	4	7	4	3	4	4	69
GM55350-GA1	1	4	6	5	8	5	4	5	5	71
GM55350-GA2	1	4	7	6	9	5	4	5	6	71
GM55350-GA3	1	4	6	5	8	6	4	6	5	72
GM55350-GA4	1	4	7	6	9	6	4	6	6	72
GM55350-GA5	3	4	6	5	10	5	4	5	5	71
GM55350-GA6	3	4	7	6	11	5	4	5	6	71
GM55350-GA7	3	4	6	5	10	6	4	6	5	72
GM55350-GA8	3	4	7	6	11	6	4	6	6	72

Group 1: Cylinder Block

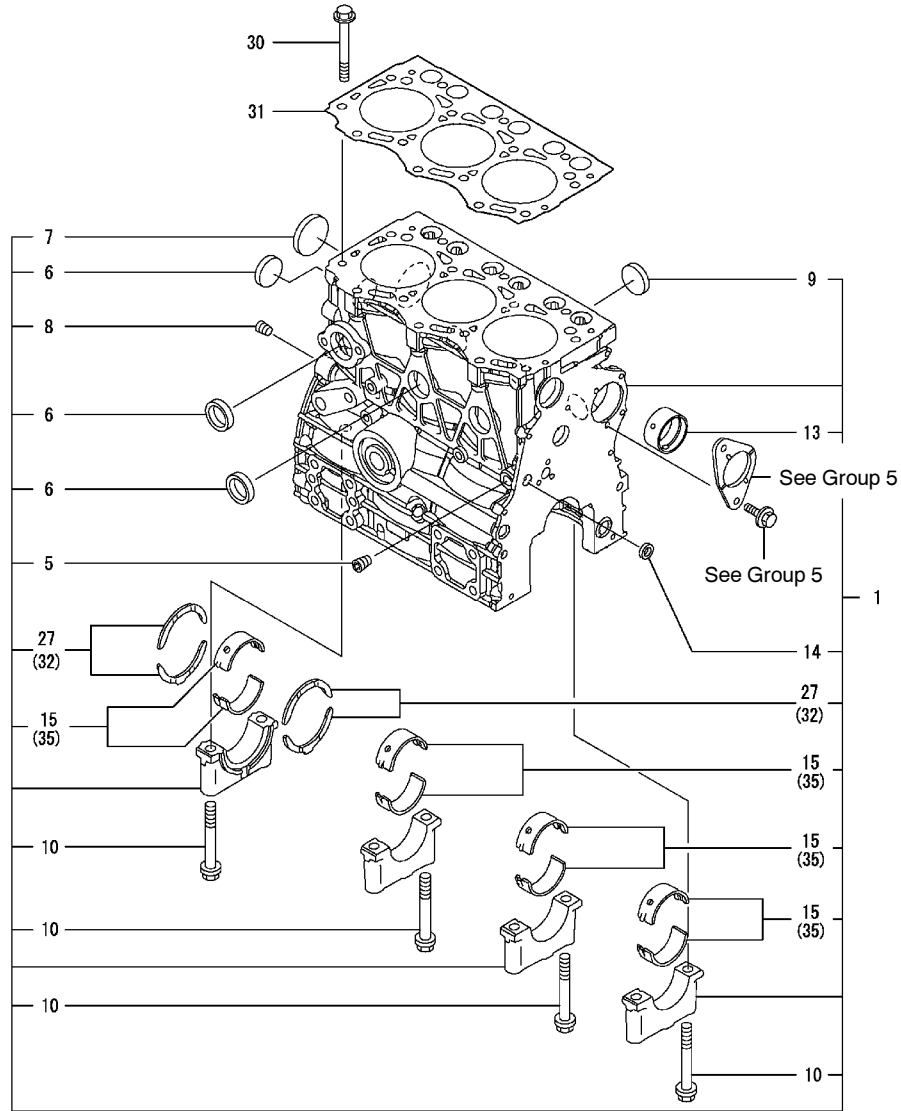


6270_1

Item	Part Number	Description	Quantity	
			Var. No.	1
1	GM35737	Block assembly, cylinder	1	1
4	252771	Plug PT1/4	2	2
5	252566	Plug	1	1
6	252078	Plug	1	1
7	GM35519	Plug 50	1	1
8	252728	Plug	2	2
9	225924	Plug 30	6	6
12	225703	Bolt	8	8
13	252933	Bush	1	1

Item	Part Number	Description	Quantity	
			Var. No.	1
14	252771	Plug PT1/4	1	1
24	GM35740	Bearing, main (std)	4	4
27	229802	Bearing (piar)	1	1
30	225705	Bolt	14	14
31	GM33836	Gasket, cylinder head	1	1
32	225709	Bearing, main	4	4
35	225710	Bearing, thrust	2	2
38	GM35428	Spacer	1	1

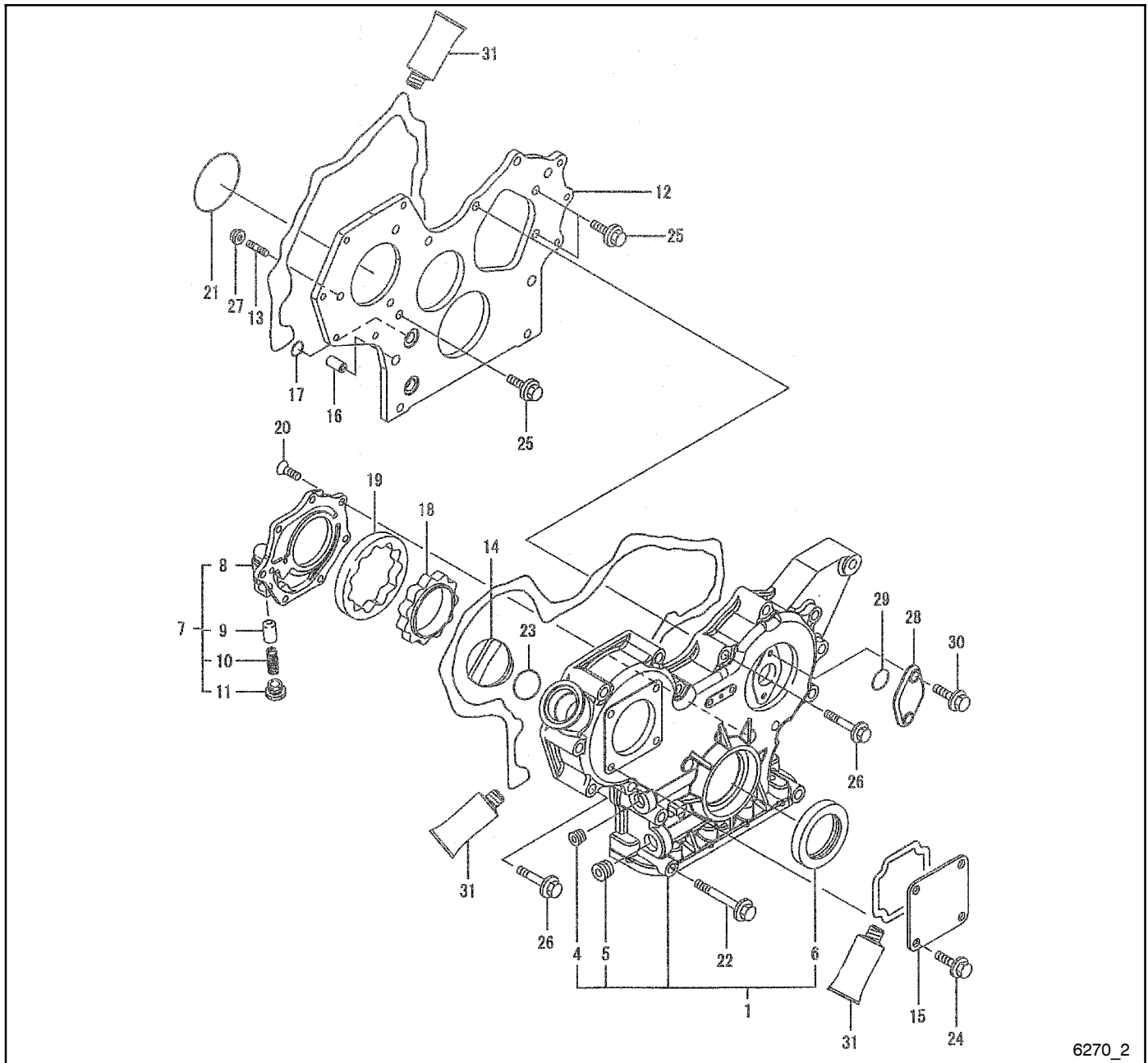
Group 1: Cylinder Block, continued



6270_1_2

Item	Part Number	Description	Quantity	
			2	3
1	GM47257	Block assembly, cylinder	1	1
5	252078	Plug	1	1
6	252028	Plug	4	4
7	GM47254	Plug 45	1	1
8	252771	Plug PT1/4	1	1
9	GM47253	Plug 25	3	3
10	225703	Bolt	8	8
13	GM47256	Bushing, camshaft	1	1
14	252728	Plug	1	1
15	GM47258	Main bearing set	4	4
27	229802	Bearing (pair)	1	
27	GM79275	Bearing		2
30	225705	Bolt	14	14
31	GM47255	Gasket, cylinder head	1	1
32	225710	Bearing, thrust	2	2
35	GM47259	Main bearing, 0.25 US	4	4

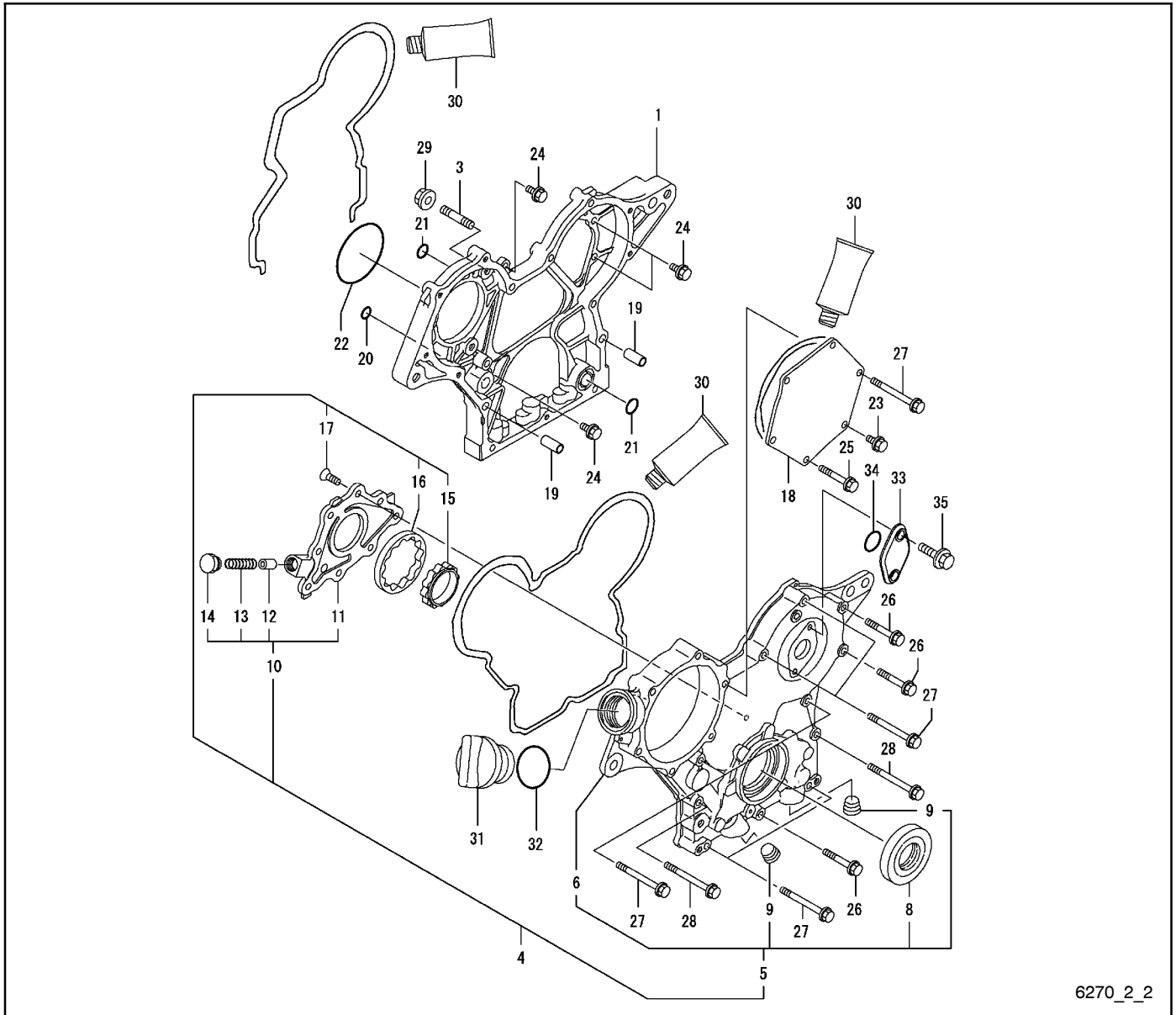
Group 2: Gear Housing



6270_2

Item	Part Number	Description	Quantity		Item	Part Number	Description	Quantity	
				Var. No.					Var. No.
1	GM35736	Housing assembly, gear	1		18	GM35465	Rotor, inner	1	
4	GM35720	Plug, screw	1		19	GM35466	Rotor, outer	1	
5	GM35721	Plug	1		20	GM35467	Screw, M6 x 16	7	
6	252931	Oil seal	1		21	252764	O-ring, pump	1	
7	GM35464	Cover assembly, pump	1		22	GM35522	Bolt, M8 x 85	3	
8	GM35463	Cover, lube oil pump	1		23	252684	O-ring	1	
9	GM35653	Valve, relief	1		24	252696	Bolt, M8 x 16	4	
10	GM35578	Spring	1		25	252696	Bolt, M8 x 16	3	
11	GM35520	Plug	1		26	256798	Bolt, M8 x 55 plated	12	
12	GM35429	Flange, gear case	1		27	GM35732	Nut	3	
13	GM35430	Stud, M8 x 25	3		28	252750	Cover, blind	1	
14	250837	Cap	1		29	256796	O-ring	1	
15	256531	Cover	1		30	252693	Bolt	2	
16	252932	Knock, pipe	2		31	252998	Gasket	1	
17	GM35421	O-ring	4						

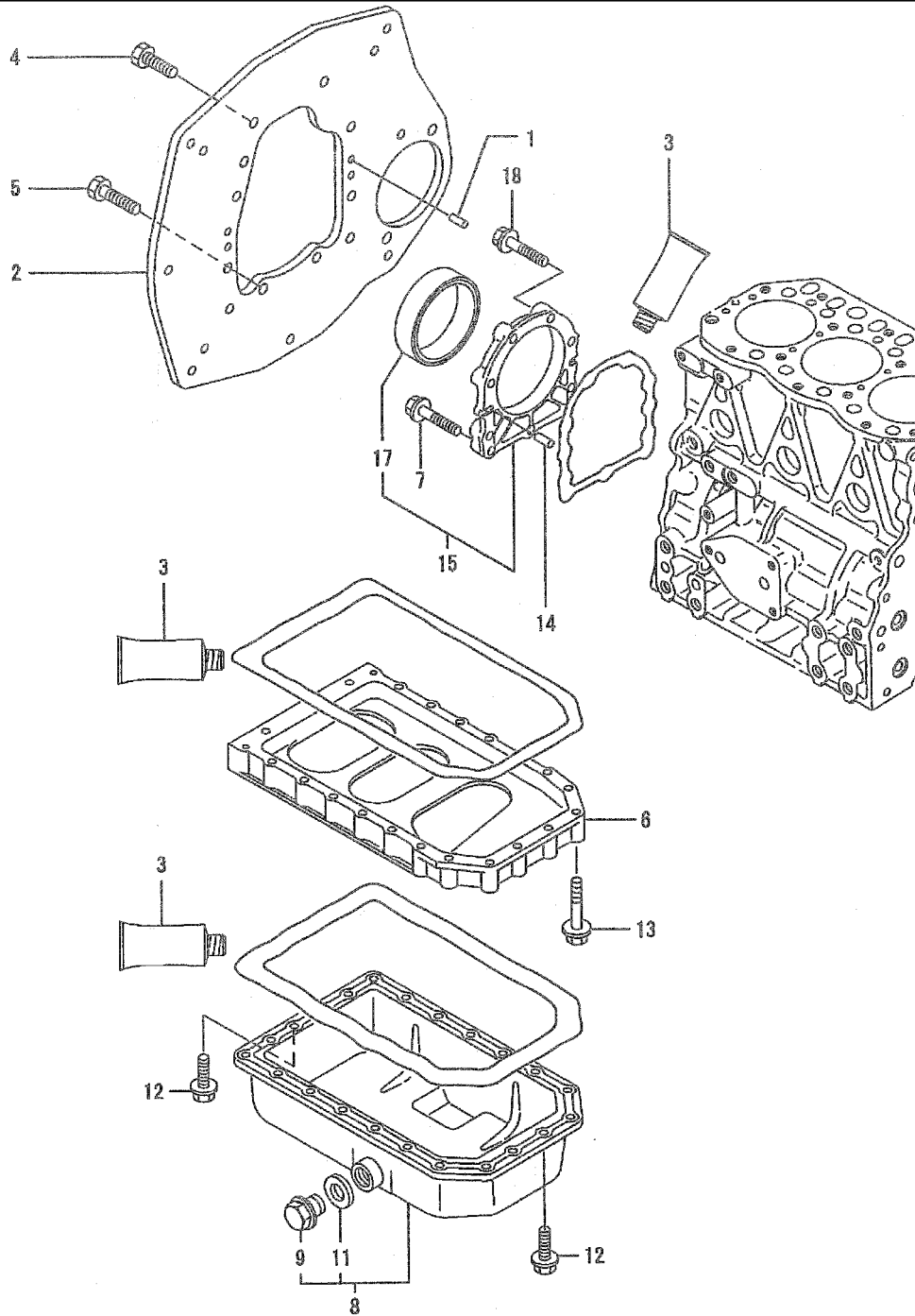
Group 2: Gear Housing, continued



6270_2_2

Item	Part Number	Description	Quantity		Item	Part Number	Description	Quantity	
			2	3				2	3
1	GM47261	Case, gear	1	1	18	GM47263	Cover, pump timing	1	1
3	GM47262	Bolt, stud M8	3	3	19	229674	Pipe, knock	4	4
4	GM47270	Cover assembly, gear case	1		20	GM47260	O-ring	1	1
4	GM79276	Cover assembly, gear case		1	21	GM47264	O-ring	3	3
5	GM47272	Cover assembly, gear case	1		22	252764	O-ring, fuel injection pump	1	1
5	GM79277	Cover assembly, gear case		1	23	225816	Bolt, M6 x 12	1	1
6	GM47269	Cover, gear case	1	1	24	252693	Bolt	4	4
8	229634	Oil seal	1		25	225921	Bolt	4	4
8	GM79278	Oil seal		1	26	225921	Bolt	3	3
9	GM35720	Plug, screw	2	2	27	363207	Bolt, M6 x 60	7	7
10	GM47266	Cover assembly, pump	1	1	28	229766	Bolt, M6 x 65 plated	2	2
11	GM47265	Cover, lub. oil pump	1	1	29	GM35732	Nut	3	3
12	GM35653	Valve, relief	1	1	30	GM46206	Gasket, liquid	1	1
13	GM47271	Spring	1	1	31	250837	Lub oil cap	1	1
14	GM35520	Plug	1	1	32	252684	O-ring 1a p-32.0	1	1
15	GM47267	Rotor, inner	1	1	33	252750	Cover, blind	1	1
16	GM47268	Rotor, outer	1	1	34	256796	O-ring 1a s-24.0	1	1
17	GM35467	Screw, M6 x 16	8	8	35	252693	Bolt	2	2

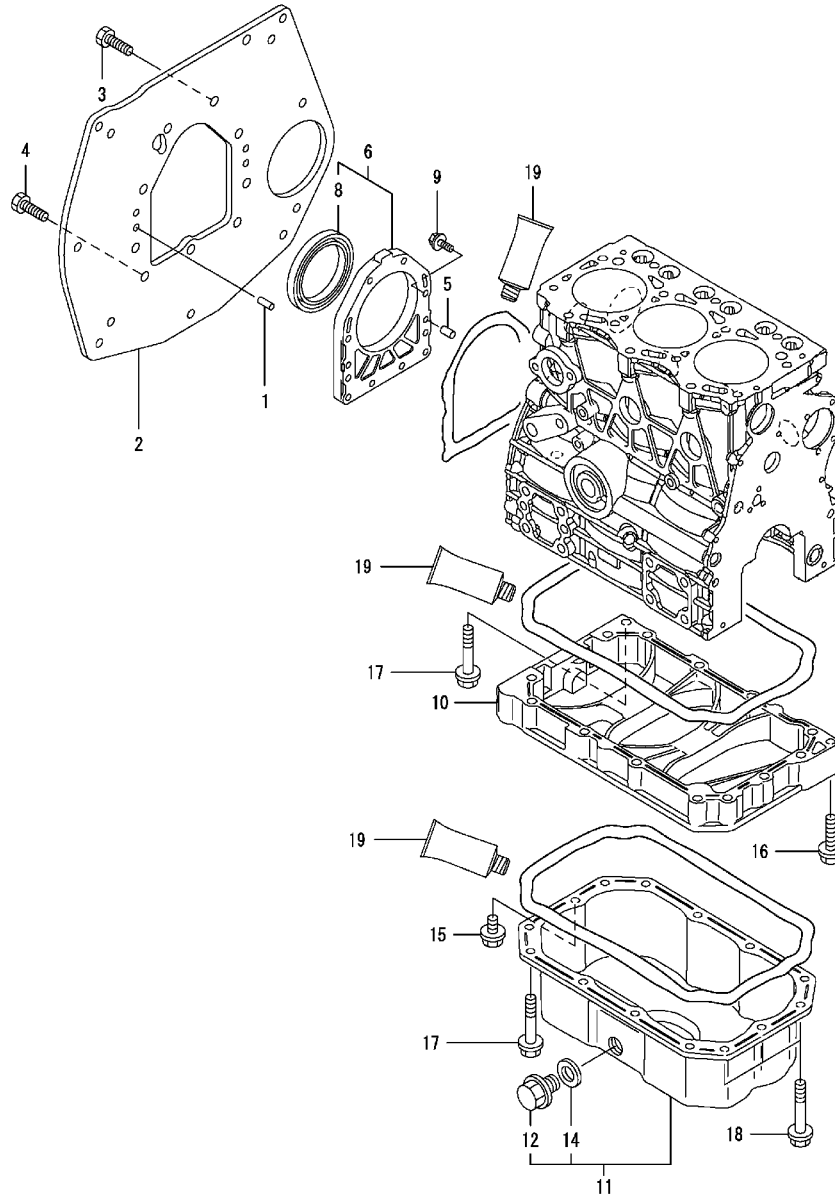
Group 3: Mounting Flange and Oil Sump



6270_3

Item	Part Number	Description	Quantity		Item	Part Number	Description	Quantity	
				Var. No.					Var. No.
1	256750	Parallel pin 8 x 16	2		9	225386	Drain plug M22	1	
2	229114	Mounting flange	1		11	225425	Seal washer	1	
3	252998	Gasket	1		12	252696	Bolt, M8 x 16	6	
4	229505	Bolt, M10 x 20	6		13	252703	Bolt	22	
5	252714	Bolt	4		14	256750	Parallel pin 8 x 16	2	
6	225706	Spacer	1		15	225866	Case assembly	1	
7	252701	Bolt, M8 x 35	3		17	252930	Rear oil seal	1	
8	GM35492	Sump assembly, oil	1		18	363430	Bolt, M8 x 30	6	

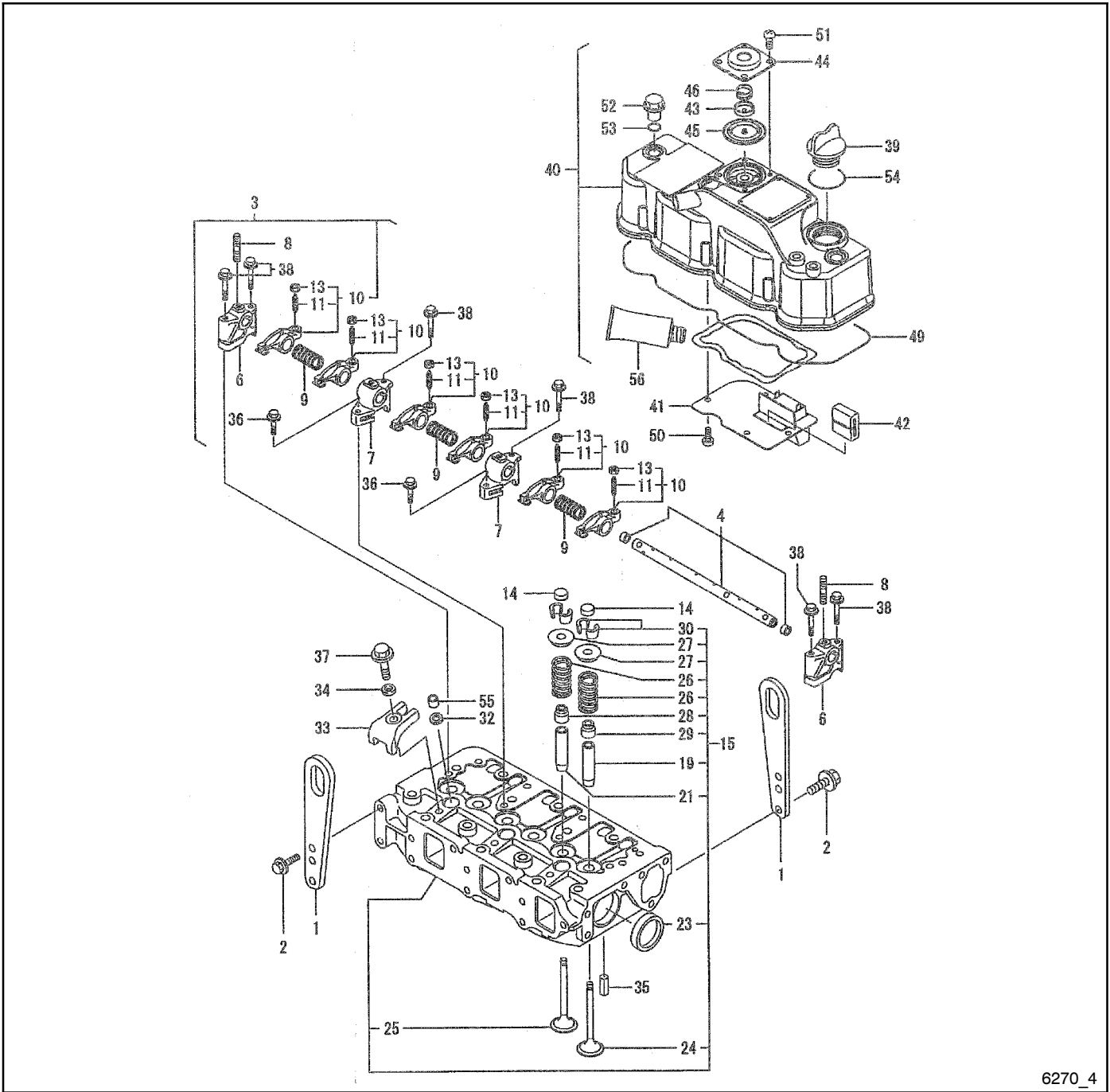
Group 3: Mounting Flange and Oil Sump



6270_3_2

Item	Part Number	Description	Quantity	
			2	3
1	256750	Parallel pin 8 x 16	2	2
2	GM47276	Backplate	1	
2	GM79279	Backplate		1
3	229505	Bolt, M10 x 20	7	7
4	252714	Bolt	3	3
5	363026	Parallel pin 6 x 10	2	2
6	229671	Case assembly, oil seal	1	1
8	250836	Oil seal	1	1
9	229761	Bolt, M6 x 22 plated	10	10
10	GM47274	Spacer, oil sump	1	1
11	GM47275	Sump assembly, lub. oil	1	1
12	GM47273	Plug, M16	1	1
14	363448	Washer, seal 16S	1	1
15	252695	Bolt, M8 x 12	1	1
16	225819	Bolt, M8 x 30 plated	1	1
17	252703	Bolt	11	11
18	252704	Bolt	3	3
19	GM46206	Gasket, liquid	1	1

Group 4: Cylinder Head

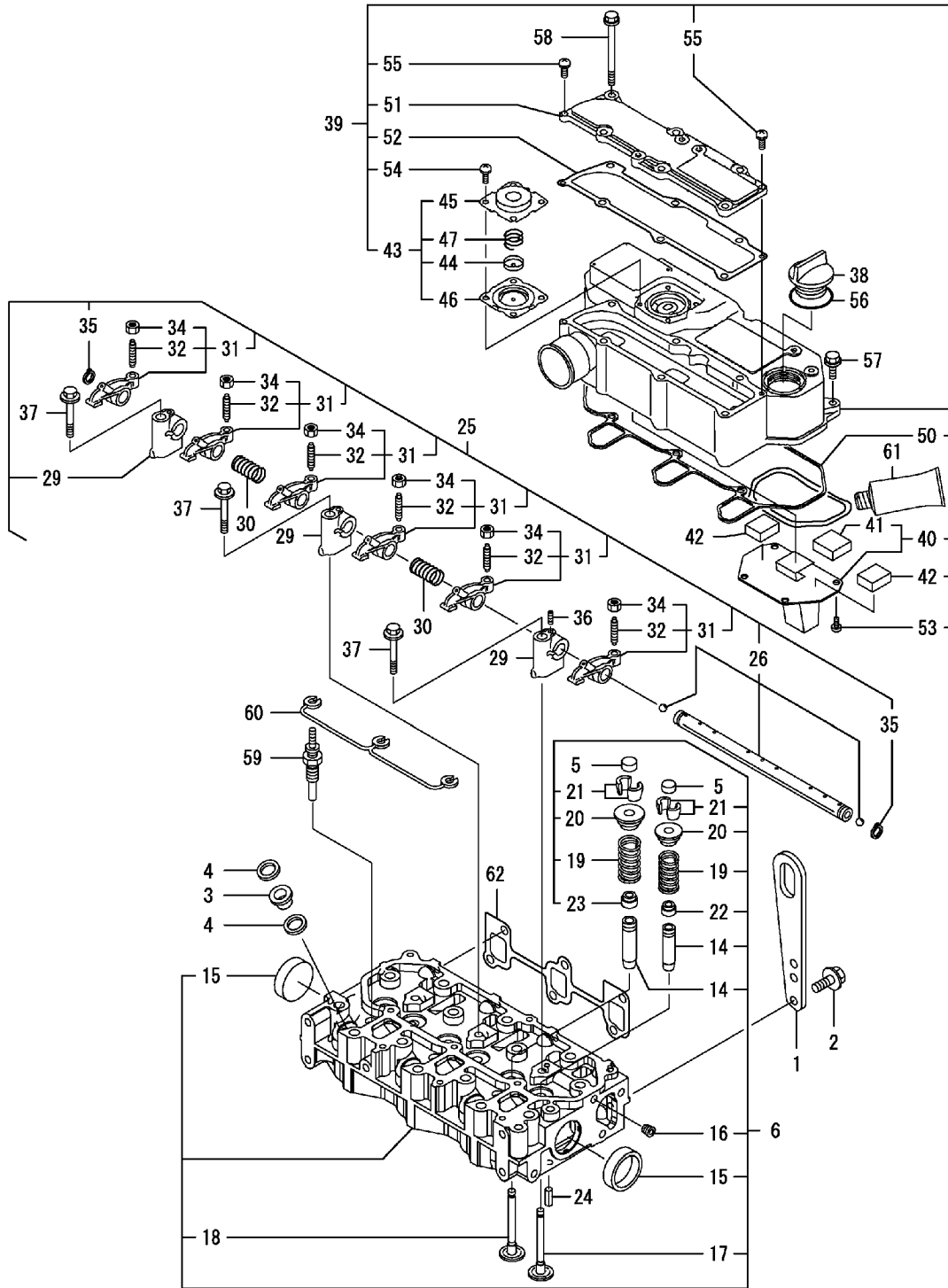


6270_4

Group 4: Cylinder Head

Item	Part Number	Description	Quantity	
			Var. No.	
			1	3
1	363110	Lifter, engine	2	2
2	225818	Bolt, M8 x 14	4	
2	252696	Bolt, M8 x 16		4
3	GM35440	Shaft assembly, rocker	1	1
4	GM35441	Shaft, rocker arm	1	1
6	GM35442	Support, rocker arm	2	2
7	GM35443	Support, rocker arm	2	2
8	GM35444	Stud	3	3
9	252815	Spring	3	3
10	GM35447	Arm assembly, rocker	6	6
11	229844	Valve screw	6	6
13	252817	Nut, M8	6	6
14	250999	Cap	6	6
15	GM35448	Head assembly, cylinder	1	
15	GM79283	Head assembly, cylinder		1
19	250835	Valve guide	3	3
21	GM35449	Guide, valve	3	3
23	252732	Plug 40	2	2
24	GM35438	Valve, intake	3	3
25	GM35439	Valve, exhaust	3	3
26	225713	Spring, valve	6	6
27	250882	Retainer	6	6
28	225766	Seal, valve stem	3	
28	GM52156	Seal, valve stem		3
29	250844	Valve seal	3	
29	225766	Valve seal		3
30	250806	Pin, cotter	6	6
32	252744	Seat	3	3
33	GM35451	Retainer, nozzle	3	3
34	GM35495	Washer	3	3
35	250963	Spring pin	2	2
36	252699	Bolt, M8 x 25 plated	2	2
37	252703	Bolt	3	3
38	252704	Bolt	6	6
39	250837	Cap	1	1
40	GM35446	Bonnet assembly, head	1	1
41	GM35431	Plate, baffle	1	1
42	252805	Baffle	1	1
43	GM35434	Plate, diaphragm	1	1
44	GM35435	Cover, diaphragm	1	1
45	GM35436	Diaphragm	1	1
46	GM35437	Spring, diaphragm	1	1
49	GM35445	Gasket, bonnet	1	1
50	363201	Screw, tapping 5 x 10	4	4
51	363201	Screw, tapping 5 x 10	4	4
52	252470	Cap nut	3	3
53	250801	O ring	3	3
54	252684	O-ring	1	1
55	GM35450	Protector, nozzle	3	3
56	252998	Gasket	1	1

Group 4: Cylinder Head, continued

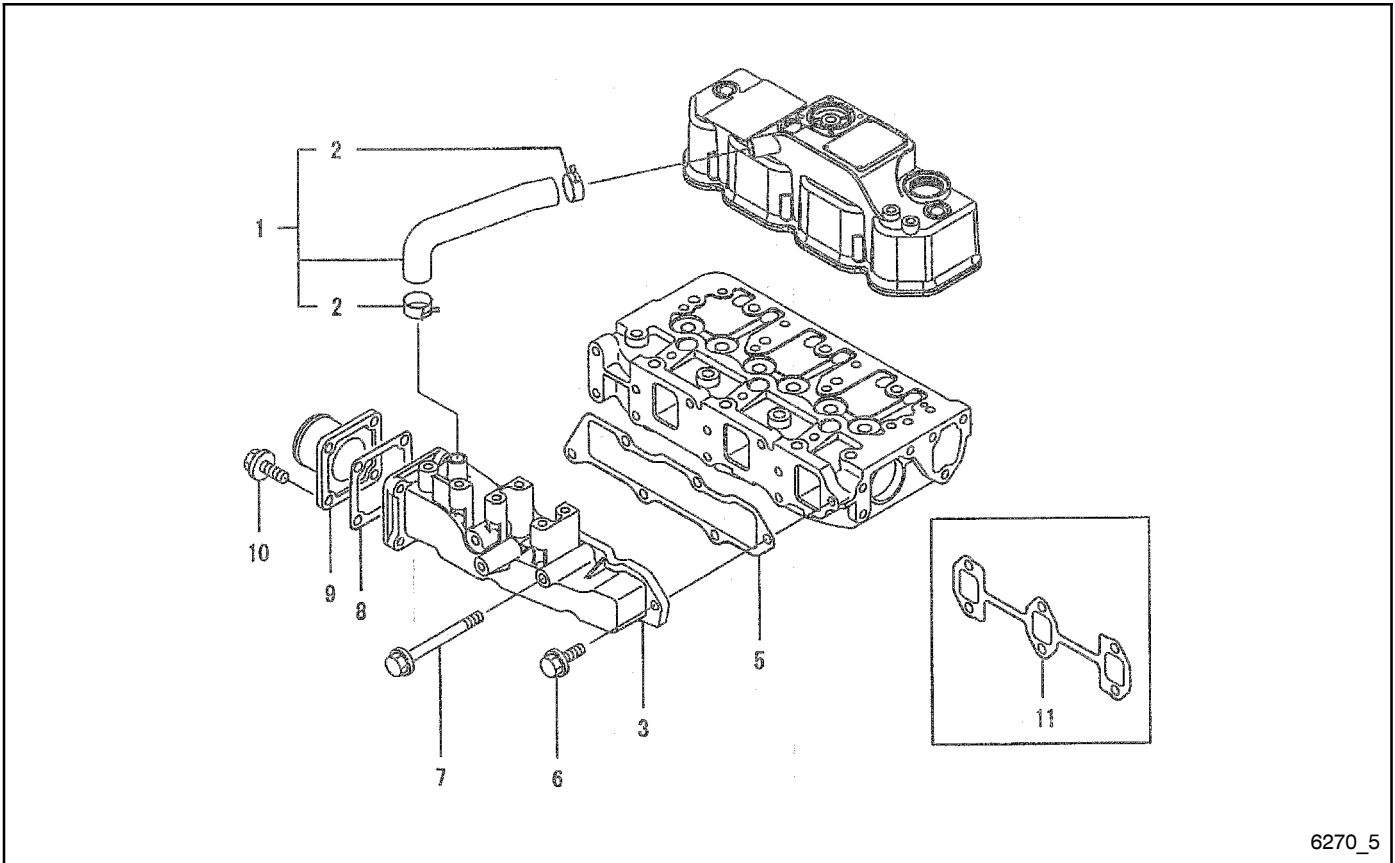


6270_4_2

Group 4: Cylinder Head, continued

Item	Part Number	Description	Quantity
			Var. No.
1	363110	Lifter, engine	2
2	252696	Bolt, M8 x 16	2
3	GM47297	Protector, nozzle	3
4	229624	Gasket	6
5	GM47277	Cap, valve	6
6	GM47291	Head assembly, cylinder	1
14	GM35426	Guide, valve	6
15	GM47278	Plug 35	2
16	GM47299	Plug 1/16, screw	1
17	GM47281	Valve, intake	3
18	GM47282	Valve, exhaust	3
19	GM47283	Spring, valve	6
20	GM35587	Retainer, spring	6
21	GM35423	Cotter, valve	12
22	GM35424	Seal, valve stem	3
23	GM35425	Seal, valve stem	3
24	250963	Spring pin 6 x 12	2
25	GM47284	Support assembly, arm	1
26	GM47285	Shaft assembly, rocker	1
29	GM47286	Support, rocker arm	3
30	363034	Spring	2
31	GM47290	Arm assembly, rocker	6
32	229844	Valve screw	6
34	252817	Nut, M8 x p1.0	6
35	252345	Clip	2
36	363213	Screw, m5 x 16	1
37	252702	Bolt	3
38	250837	Lub oil cap	1
39	GM47289	Bonnet assembly, head	1
40	GM47279	Plate, baffle	1
41	GM47280	Baffle, breather	1
42	GM47280	Baffle, breather	2
43	GM47296	Diaphragm assembly	1
44	GM35434	Plate, diaphragm	1
45	GM35435	Cover, diaphragm	1
46	GM35436	Diaphragm	1
47	GM35437	Spring, diaphragm	1
50	GM47295	Gasket, bonnet	1
51	GM47287	Cover, bonnet	1
52	GM47288	Gasket, bonnet cover	1
53	363201	Screw, tapping 5 x 10	4
54	363201	Screw, tapping 5 x 10	4
55	GM47298	Screw, 5 x 16	2
56	252684	O-ring 1a p-32.0	1
57	225817	Bolt, M6 x 20	3
58	225429	Bolt, M6 x 75 Plated	6
59	GM47293	Plug, glow	3
60	GM47294	Connector, glow plug	1
61	GM46206	Gasket, liquid	1
62	GM47292	Gasket, manifold	1

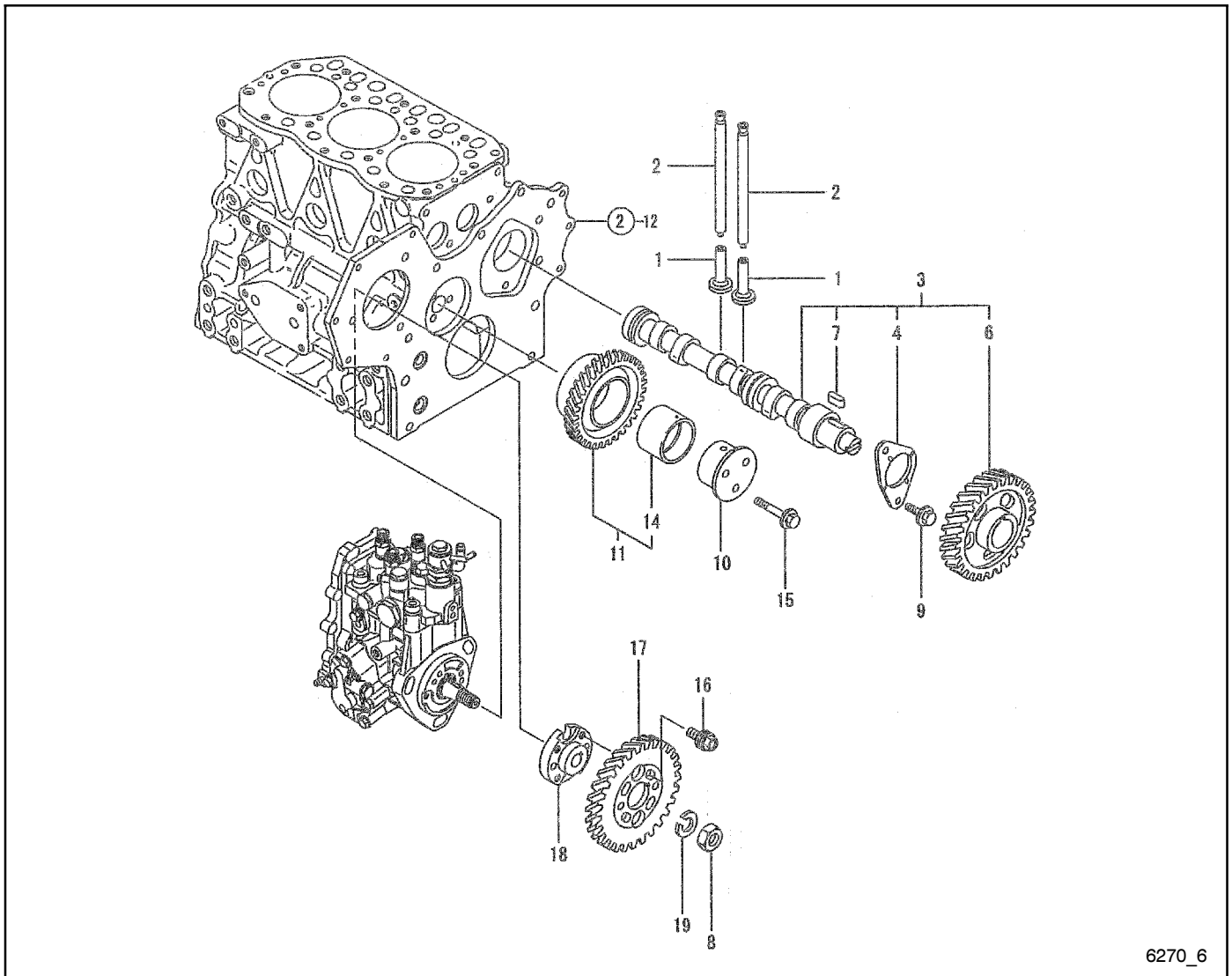
Group 5: Intake Manifold



6270_5

Item	Part Number	Description	Quantity
			Var. No.
			1
1	GM35433	Pipe, breather	1
2	229425	Clamp	2
3	GM35452	Manifold, intake	1
5	GM33685	Gasket, intake manifold	1
6	252697	Bolt	4
7	252707	Bolt	2
8	225778	Gasket	1
9	GM35579	Joint	1
10	252697	Bolt	4
11	225717	Gasket, exhaust manifold	1

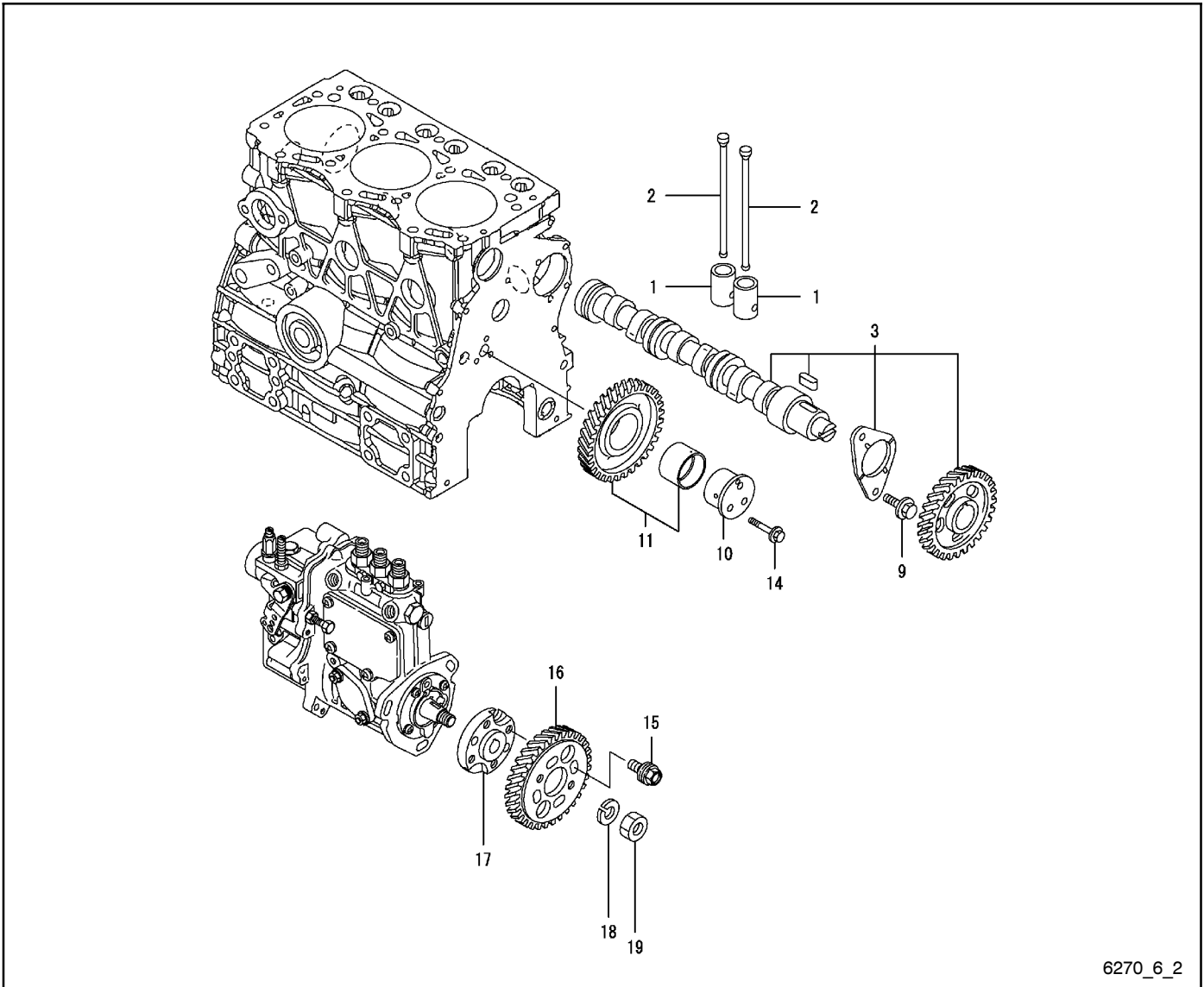
Group 6: Camshaft and Drive Gear



6270_6

Item	Part Number	Description	Quantity
			Var. No.
1	252819	Tappet	6
2	225718	Rod, push	6
3	GM35453	Camshaft assembly	1
4	252804	Metal, thrust	1
6	256587	Gear, camshaft	1
7	252669	Key 7 x 14	1
8	GM35734	Nut, lock M14 plated	1
9	225818	Bolt, M8 x 14	2
10	GM35459	Shaft, idle gear	1
11	GM35461	Gear assembly, idle	1
14	GM35460	Bush, idle gear	1
15	252702	Bolt	3
16	GM19682	Bolt, gear	4
17	GM35462	Gear, pump	1
18	GM35711	Flange	1
19	GM35714	Washer, spring	1

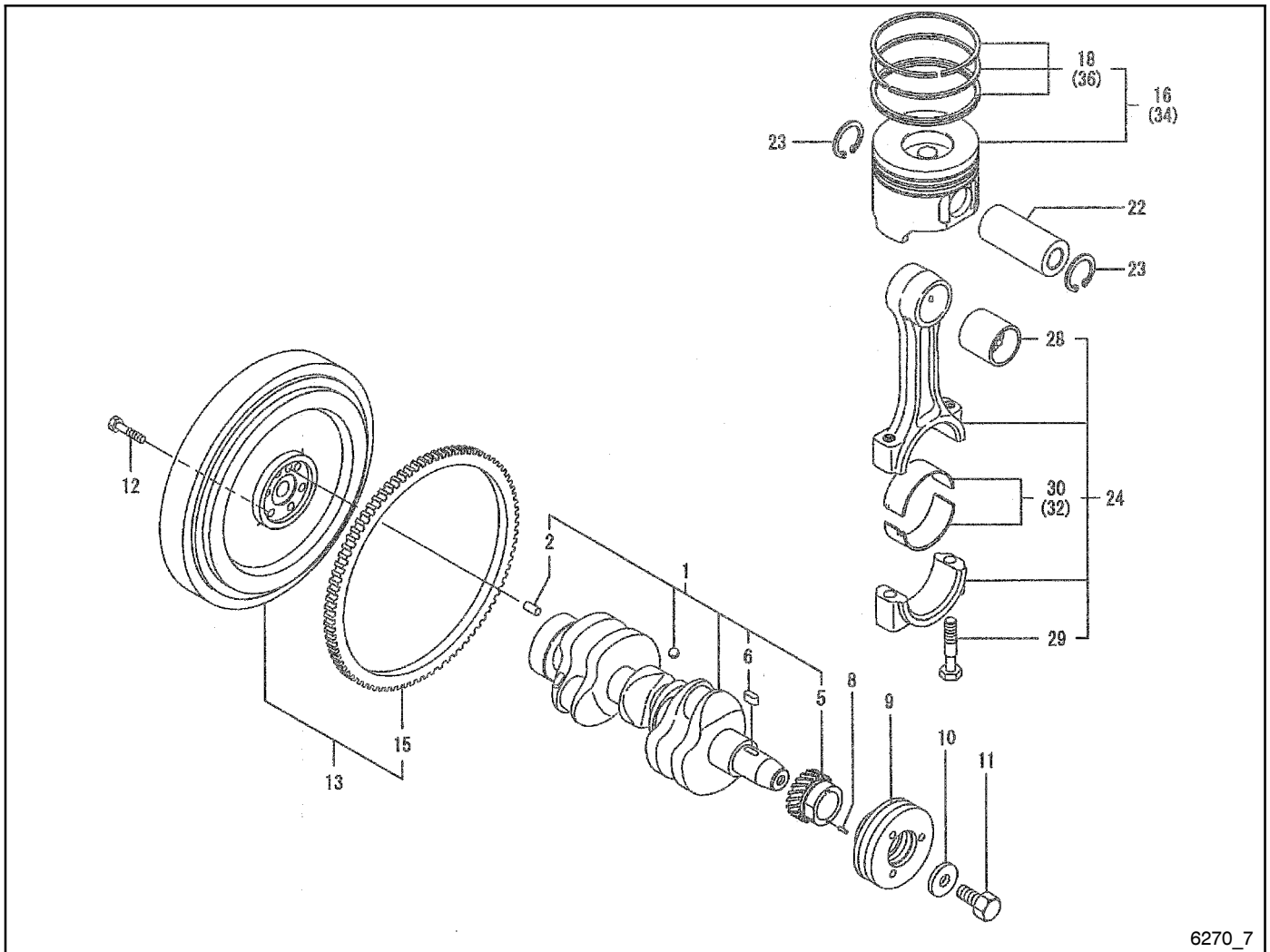
Group 6: Camshaft and Drive Gear, continued



6270_6_2

Item	Part Number	Description	Quantity	
			Var. No.	
			2	
1	363039	Tappet	6	
2	GM47300	Rod, push	6	
3	GM47301	Camshaft assembly	1	
9	225816	Bolt, M6 x 12	2	
10	GM47302	Shaft, idle gear	1	
11	GM47303	Gear assembly, idle	1	
14	GM47306	Bolt, M6 x 35 plated	3	
15	GM19682	Bolt, gear	4	
16	GM47304	Gear, pump	1	
17	GM47305	Flange	1	
18	252666	Washer, spring	1	
19	252725	Nut	1	

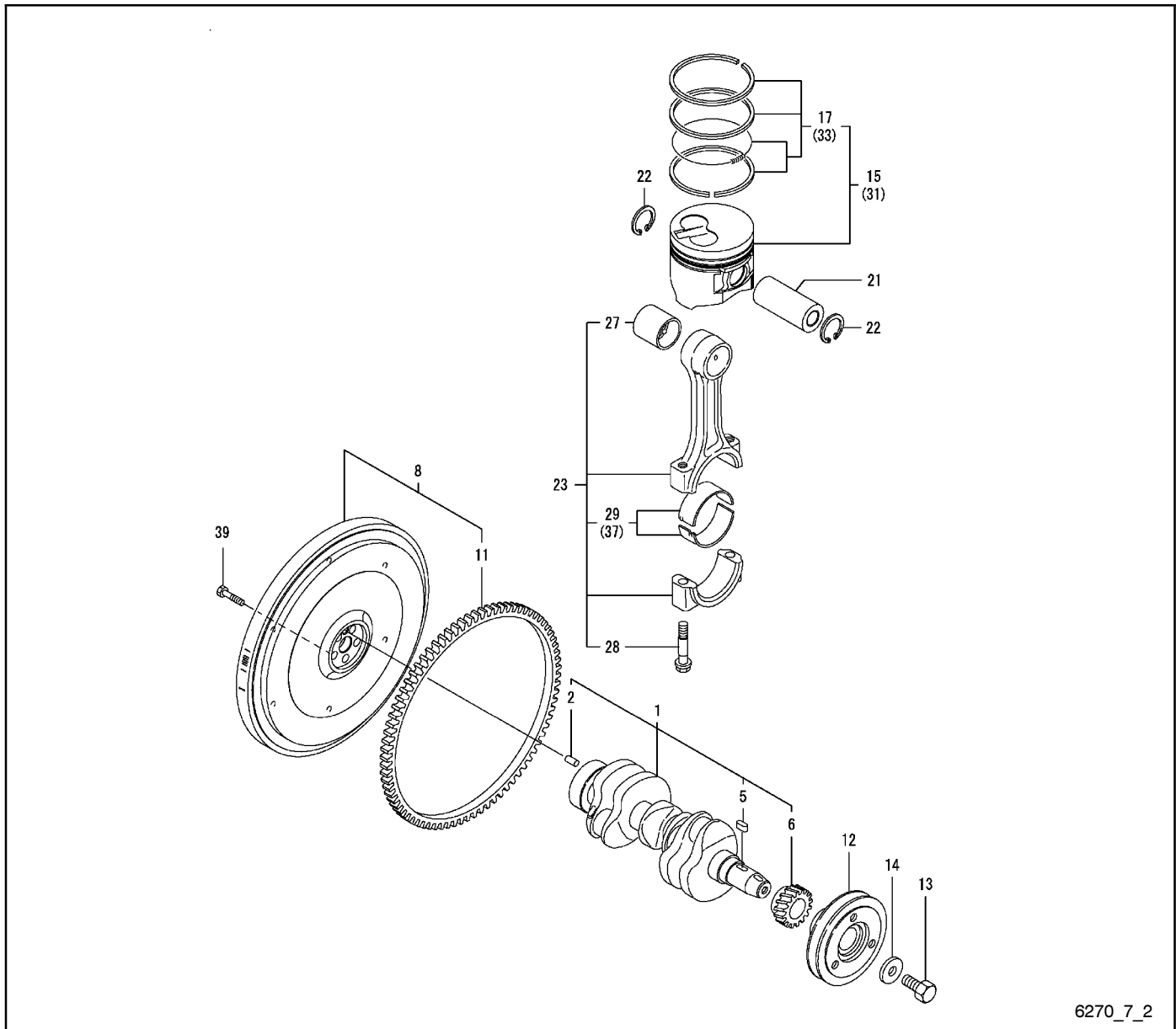
Group 7: Crankshaft and Piston



6270_7

Item	Part Number	Description	Quantity	
			1	4
1	GM35454	Crankshaft assembly	1	1
2	256750	Parallel pin 8 x 16	1	1
5	GM35455	Gear, crankshaft	1	1
6	252669	Key 7 x 14	1	1
8	256654	Spring pin	1	1
9	GM35456	V-pulley, crankshaft	1	1
10	252937	Washer	1	1
11	252763	Bolt, V pulley	1	1
12	252401	Bolt, flywheel	6	6
13	229117	Flywheel assembly	1	1
15	252774	Gear, ring	1	1
16	GM35457	Piston w/ring	3	3
18	GM35458	Ring set, piston	3	3
22	225395	Pin, piston	3	3
23	229738	Circlip	6	6
24	225838	Rod assembly, connecting	3	3
28	225726	Bushing piston pin	3	3
29	225723	Bolt	6	6
30	225724	Bearing, crankpin	3	3
32	225725	Crank bearing	3	3
34	GM35738	Piston w/ring, 0.25 OS	3	
34	GM79284	Piston w/ring, 0.25 OS		3
36	GM35739	Ring set, 0.25 OS	3	
36	GM79285	Ring set, 0.25 OS		3

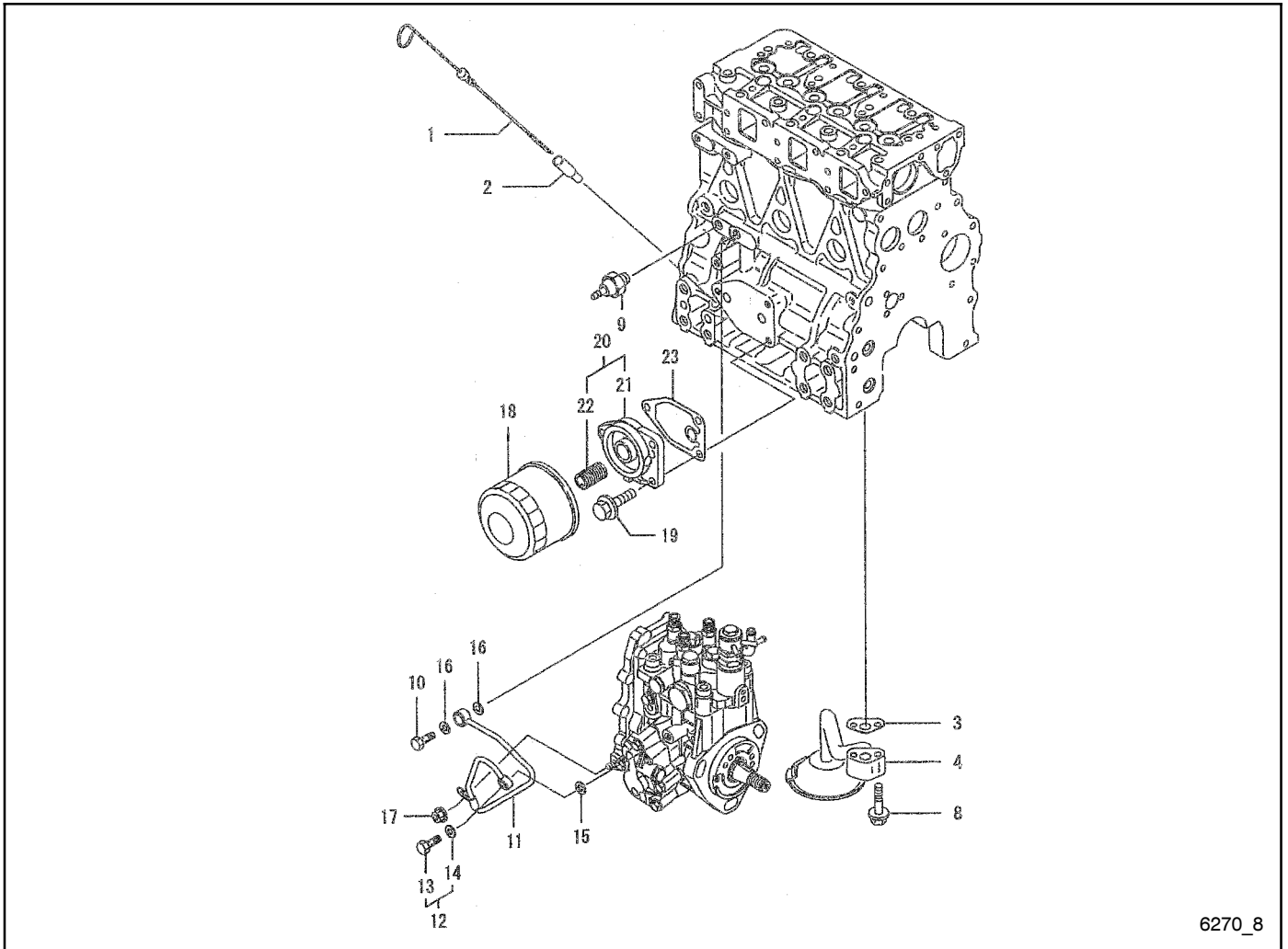
Group 7: Crankshaft and Piston, continued



6270_7_2

Item	Part Number	Description	Quantity		Item	Part Number	Description	Quantity	
			2	3				2	3
1	GM47309	Crankshaft assembly	1	1	17	GM47312	Ring set	3	3
2	256750	Parallel pin 8 x 16	1	1	21	GM47311	Pin, piston	3	3
5	229748	Key, 4 x 12	1	1	22	GM47321	Circlip 22	6	6
6	GM47307	Gear, crankshaft	1	1	23	GM47315	Rod assembly, connecting	3	3
8	GM47320	Flywheel assembly	1		27	GM47319	Bushing, piston pin	3	3
8	GM79280	Flywheel assembly		1	28	GM47316	Bolt, connecting rod	6	6
11	363081	Gear, frt. diff. drive	1		29	GM47317	Metal assembly, crank pin	3	3
11	252774	Gear, ring	1	1	31	GM47314	Piston assembly, 0.25 OS	3	3
12	GM47308	V-pulley, crankshaft	1	1	33	GM47313	Ring set, 0.25 OS	3	3
13	229664	Bolt, M12 x 1.25	1	1	37	GM47318	Bearing, pin 0.25 US	3	3
14	229639	Washer	1	1	39	229638	Bolt	5	5
15	GM47310	Piston w/ring	3	3					

Group 8: Lubrication Oil System

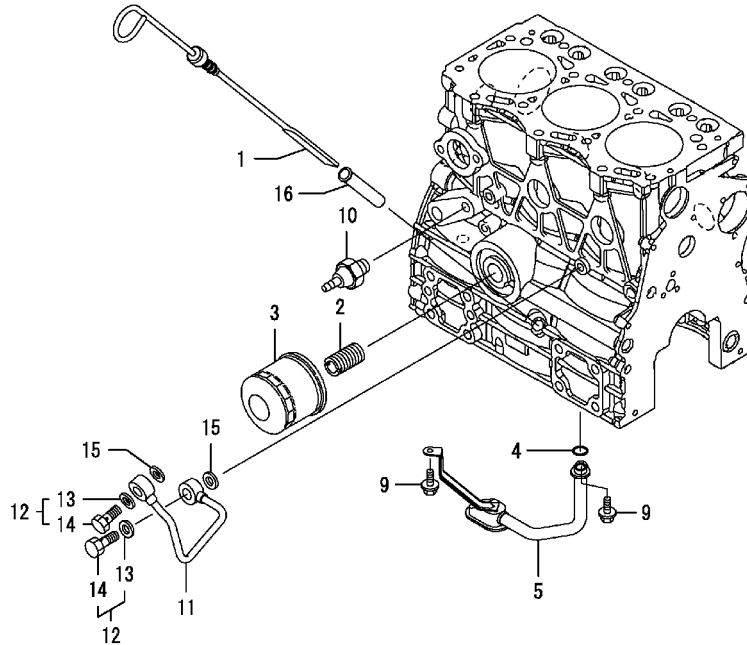


6270_8

Item	Part Number	Description	Quantity
			Var. No.
1	GM35468	Dipstick	1
2	252759	Guide, dipstick	1
3	225775	Gasket	1
4	GM35487	Pipe assembly, oil inlet	1
8	252701	Bolt, M8 x 35	2
9	GM35419	Switch, oil pressure	1
10	252084	Bolt	1
11	GM35471	Pipe assembly, oil	1
12	GM35550	Bolt assembly, joint	1
13	252677	Joint bolt	1
14	252734	Washer 8, seal	1
15	252734	Washer 8, seal	1
16	363452	Washer, seal	2
17	250989	Nut, M6	1
18	252834	Filter, oil*	1
19	252697	Bolt	3
20	GM35469	Bracket assembly, filter	1
21	GM35470	Bracket, filter	1
22	256582	Stud	1
23	225776	Gasket	1

* A Kohler-brand oil filter is available for generator models using this variation. Oil filter GM47465 has 18% more media than filter 252834 for greater contaminant-holding capacity.

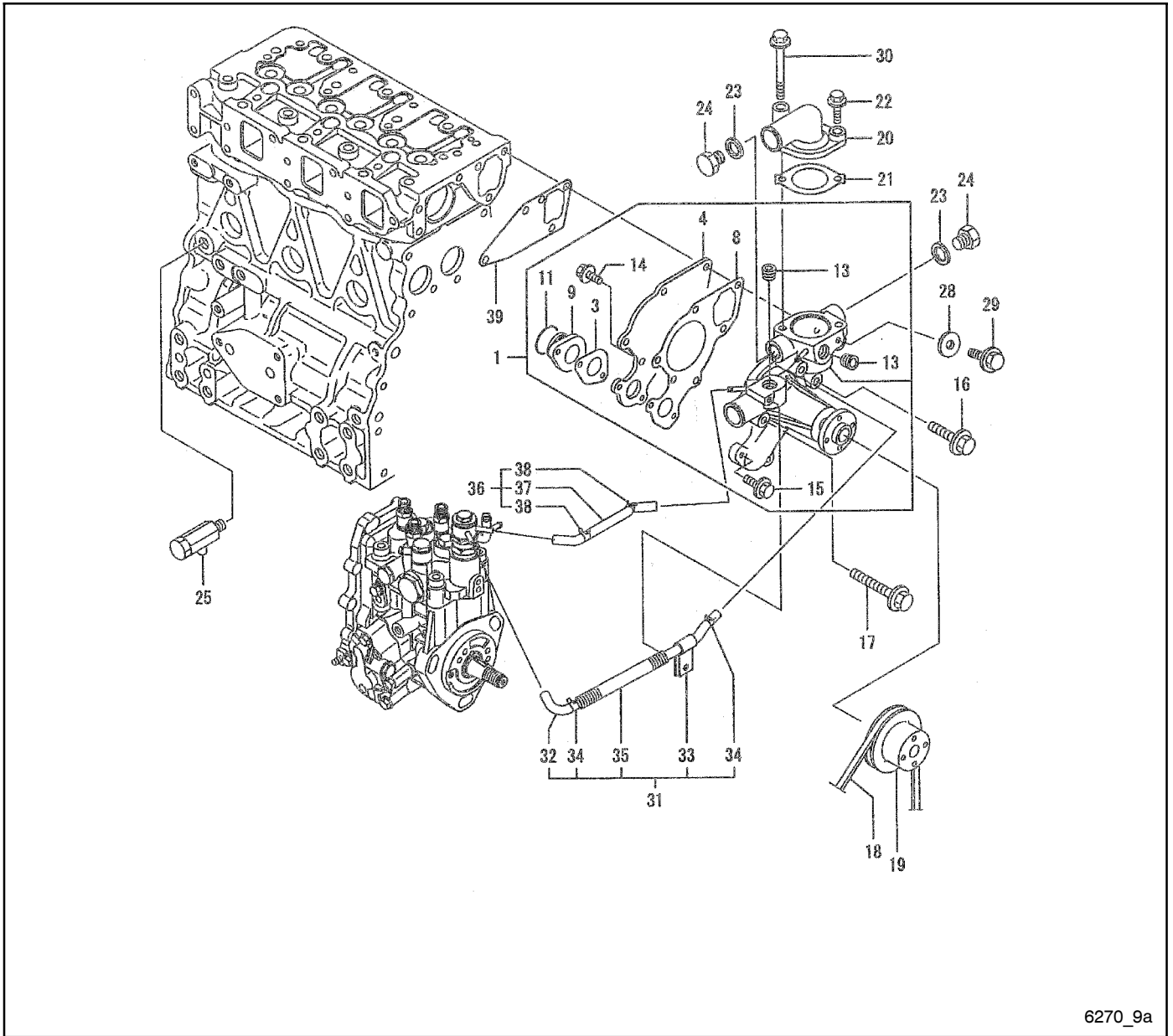
Group 8: Lubrication Oil System, continued



6270_8_2

Item	Part Number	Description	Quantity	
			2	3
1	GM47323	Dipstick, lub. oil	1	1
2	256582	Stud	1	1
3	229678	Filter, oil	1	
3	250952	Filter, oil		1
4	GM47322	O-ring	1	1
5	GM47324	Pipe assembly, lub. oil	1	1
9	229498	Bolt, M6 x 10 plated	2	2
10	GM35419	Switch, oil pressure	1	1
11	GM47325	Pipe assembly, hydraulic	1	1
12	GM35550	Bolt assembly, joint	2	2
13	252734	Washer 8, seal	2	2
14	252677	Joint bolt 3	2	2
15	252734	Washer 8, seal	2	2
16	252759	Guide, dipstick	1	1

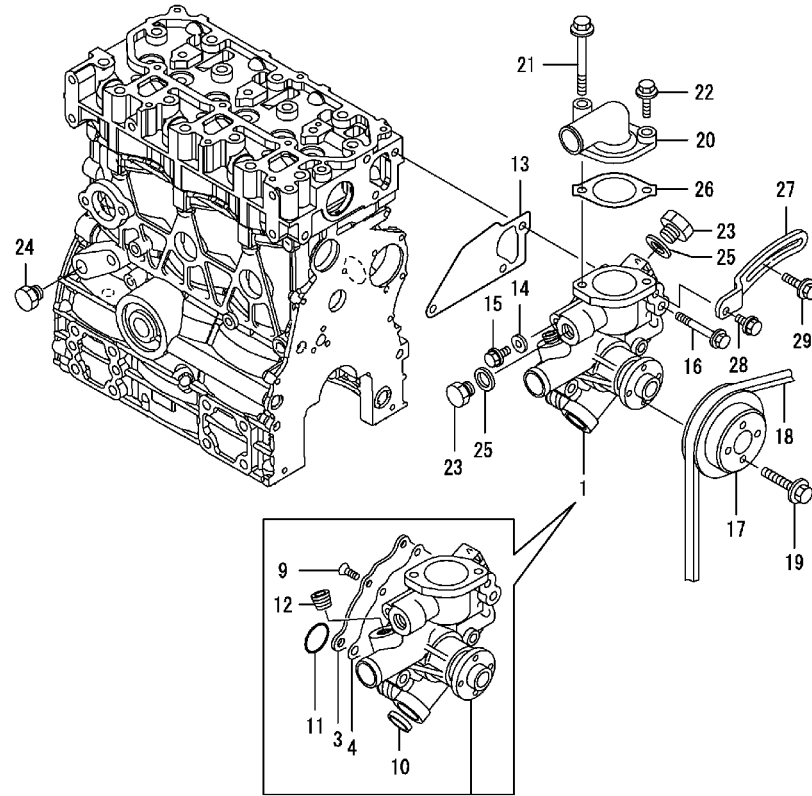
Group 9: Cooling Water System



6270_9a

Item	Part Number	Description	Quantity				Item	Part Number	Description	Quantity			
			1	2	5	6				1	2	5	6
1	GM35472	Pump assy., water	1	1			23	252773	Packing 16	2	2	2	2
1	GM79286	Pump assy., water			1	1	24	252757	Plug M16	2	2	2	2
3	GM35488	Gasket	1	1	1	1	25	256734	Petcock assembly	1	1	1	1
4	GM35489	Plate	1	1	1	1	25	225704	Valve	1	1	1	1
8	GM29476	Gasket	1	1	1	1	28	250967	Gasket 8, round	1	1	1	1
9	GM35490	Pipe, water pump	1	1	1	1	29	252695	Bolt, M8 x 12	1	1	1	1
11	252839	O-ring	1	1	1	1	30	252705	Bolt	1	1	1	1
13	GM35720	Plug, screw	2	2	2	2	31	GM35473	Pipe assembly	1	1		
14	225818	Bolt, M6 x 14 plated	2	2	2	2	32	GM35475	Pipe assembly	1	1		
15	225817	Bolt, M6 x 20	2	2	2	2	33	GM35477	Clamp	1	1		
16	252701	Bolt, M8 x 35	1	1	1	1	34	229411	Clamp	2	2		
17	256798	Bolt, M8 x 55 plated	3	3	3	3	35	GM35482	Tube, corrugated	1	1		
18	225428	V-belt	1		1		36	GM35474	Pipe assembly	1	1		
18	226929	V-belt (24 V models)		1		1	37	GM35476	Pipe, water	1	1		
19	252845	V-pulley	1	1	1	1	38	229411	Clamp	2	2		
20	229408	Thermostat cover	1	1	1	1	39	GM35580	Gasket	1	1		
21	249865	Gasket	1	1	1	1							
22	252699	Bolt, M8 x 25 plated	1	1	1	1							

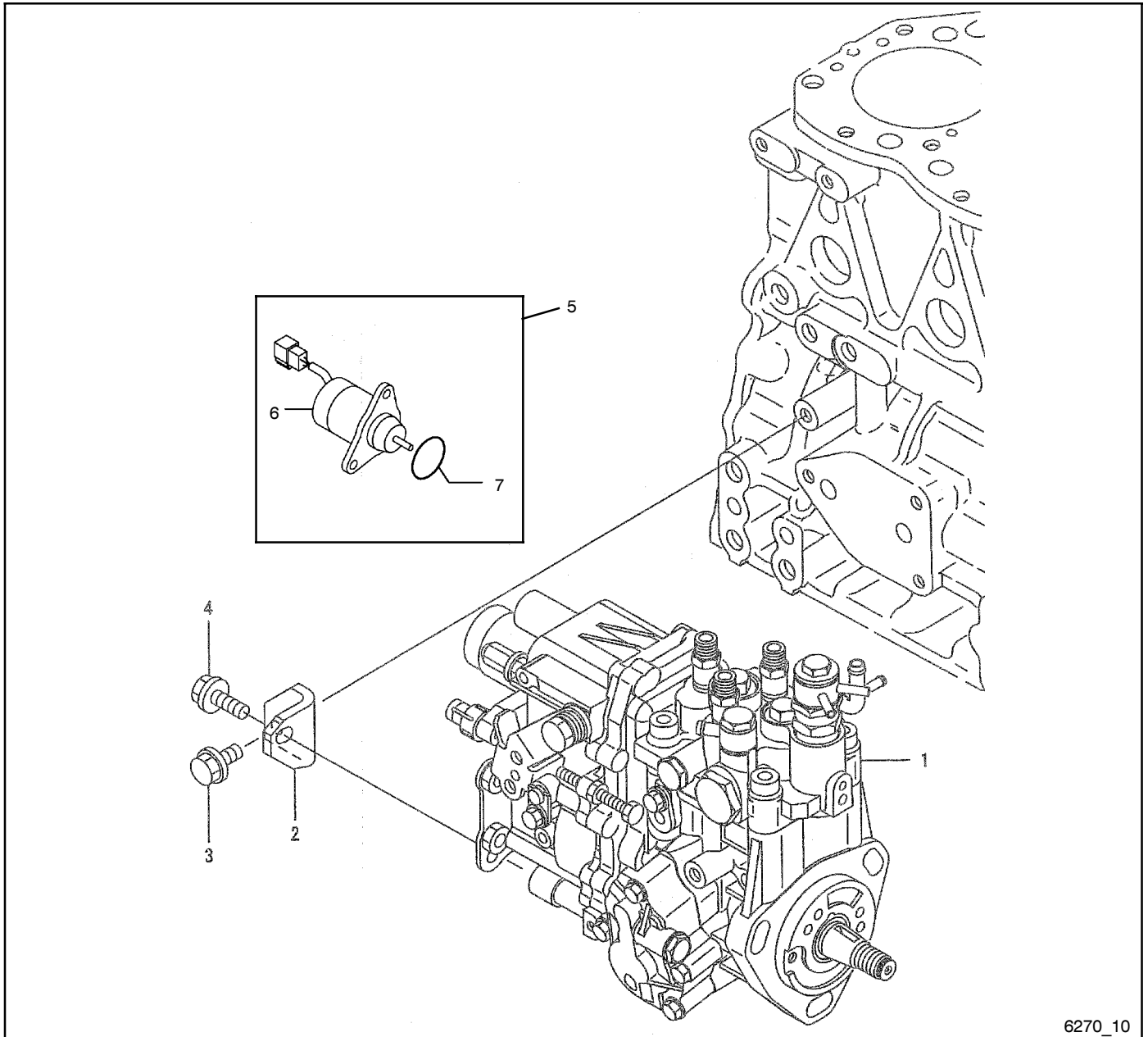
Group 9: Cooling Water System, continued



6270_9_2

Item	Part Number	Description	Quantity	
			3	4
1	GM47326	Pump assembly, water	1	1
3	GM47329	Cover	1	1
4	GM47328	Gasket	1	1
9	GM47333	Screw, M6 x 12	4	4
10	229780	Plug	1	1
11	GM47330	O-ring	1	1
12	GM35704	Plug, drain	1	1
13	GM47327	Gasket, water pump	1	1
14	250967	Gasket 8, round	1	1
15	252695	Bolt, M8 x 12	1	1
16	252704	Bolt	3	3
17	GM47331	V-pulley, water pump	1	1
18	GM47044	Belt, 36 in.	1	1
19	225816	Bolt, M6 x 12	4	4
20	GM42711	Cover, thermostat	1	1
21	252706	Bolt	1	1
22	252699	Bolt, M8 x 25 plated	1	1
23	252757	Plug m16	2	2
24	GM42701	Plug, drain	1	1
25	252773	Packing 16	2	2
26	249865	Gasket	1	1
27	GM47332	Adjuster, belt	1	1
28	252697	Bolt	1	1
29	GM35491	Bolt	1	
29	GM46241	Bolt		1

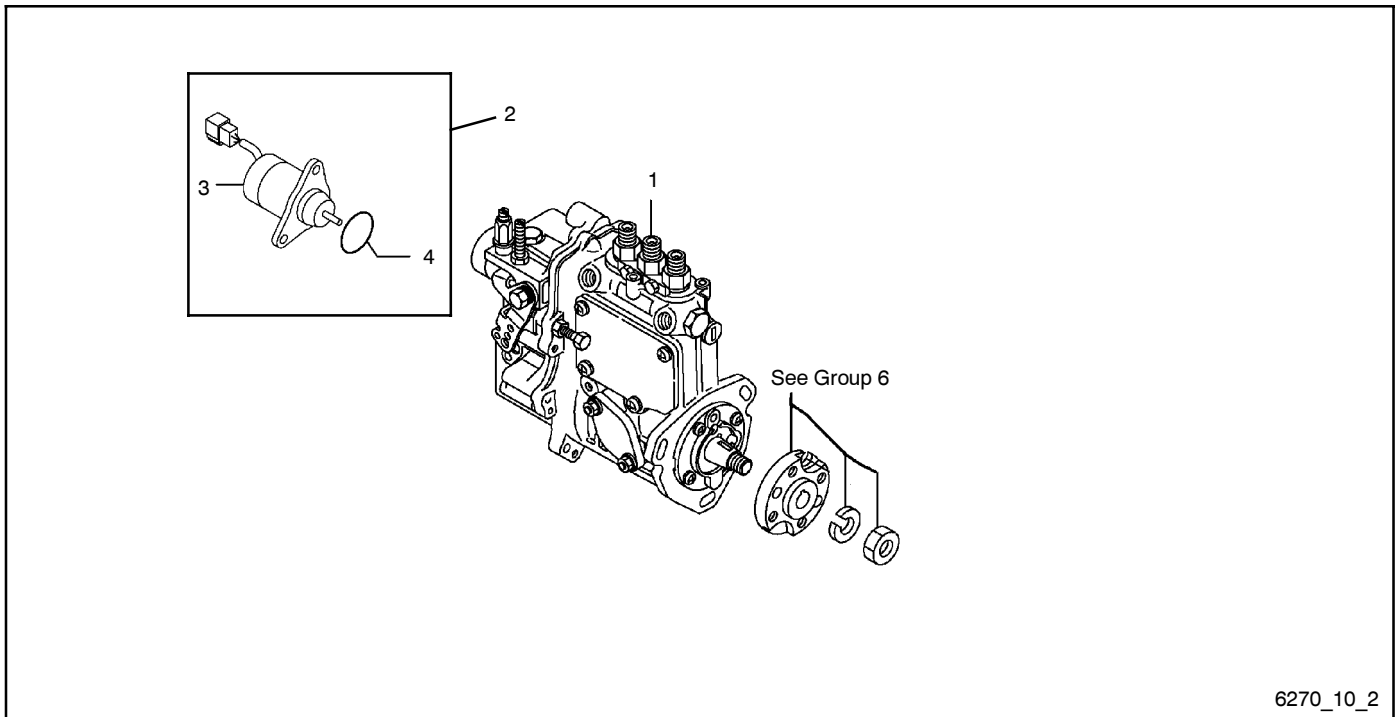
Group 10: Fuel Injection Pump



6270_10

Item	Part Number	Description	Quantity	
			1	2
1	GM35742	Injection pump assembly	1	1
2	GM35478	Bracket, pump	1	1
3	252696	Bolt, M8 x 16	1	1
4	252697	Bolt	1	1
5	225461	Solenoid kit (includes items 6, 7)	1	
5	GM58632	Solenoid (24 V models)		1
6	225388	Solenoid (12 V)	1	
7	225427	O-ring	1	

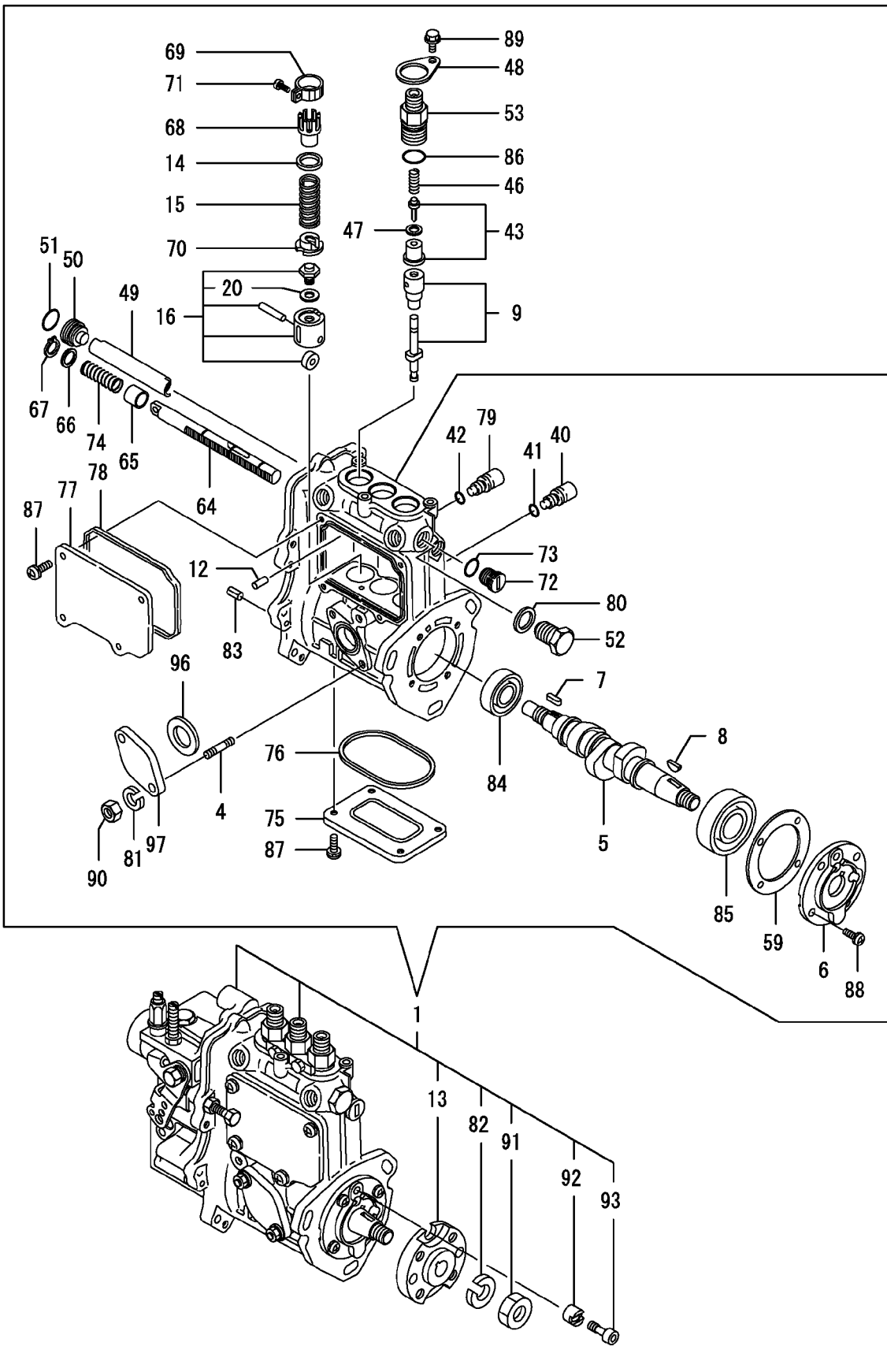
Group 10: Fuel Injection Pump, continued



6270_10_2

Item	Part Number	Description	Quantity
			Var. No.
1	GM47334	Pump assembly, fuel injection	1
2	225461	Solenoid kit (includes items 3, 4)	1
3	225388	Solenoid (12 V)	1
4	225427	O-ring	1

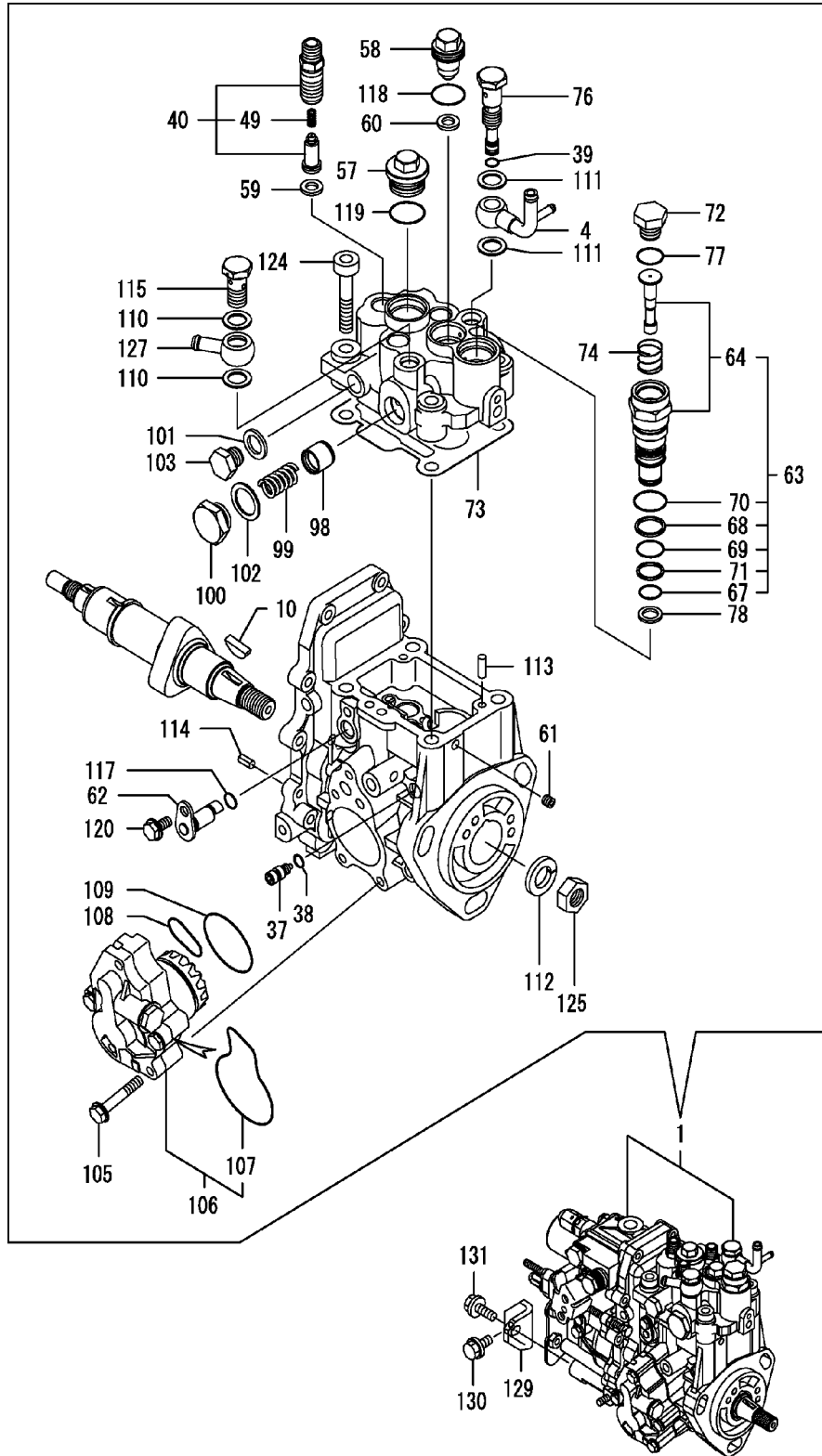
Group 10: Fuel Injection Pump, continued



Group 10: Fuel Injection Pump, continued

Item	Part Number	Description	Quantity
			Var. No.
			4
1	GM79290	Pump assy., injection	1
4	256776	Stud	2
5	GM79291	Camshaft	1
6	GM79292	Support, camshaft	1
7	GM79293	Key, parallel	1
8	256528	Key	1
9	GM79294	Plunger w/barrel	3
12	256721	Pin	3
13	GM47305	Flange	1
14	GM79295	Retainer, spring	3
15	GM79296	Spring, plunger	3
16	GM79297	Tappet assy.	3
20	256700	Shim	3
40	GM42718	Stopper	3
41	252849	O-ring	3
42	252849	O-ring	1
43	GM79298	Valve assy., delivery	3
46	GM79299	Spring, delivery	3
47	250839	Gasket	3
48	GM79300	Locking	3
49	225779	Deflector	1
50	GM79301	Plug, deflector	1
51	GM79302	O-ring	1
52	GM79303	Plug, deflector	1
53	GM79304	Valve assy., delivery	3
59	256729	Packing	1
64	GM79305	Rack, control	1
65	256780	Bush, rack	1
66	256694	Spacer	1
67	256695	Clip	1
68	256696	Pinion	3
69	GM79306	Pinion	3
70	GM79307	Retainer, spring	3
71	GM79308	Screw, pinion	3
72	GM79309	Plug	1
73	252850	O-ring	1
74	256699	Spring	1
75	256782	Cover	1
76	GM79310	Gasket, lower cover	1
77	GM79311	Cover, body side	1
78	GM79312	Gasket, side cover	1
79	GM79313	Stopper, rack	1
80	363448	Washer, seal 16S	1
81	225804	Spring washer 6	2
82	252666	Washer, spring	1
83	225808	Pin	2
84	GM79314	Ball bearing	1
85	256556	Ball bearing	1
86	GM79315	O-ring 4d p15	3
87	GM19690	Screw, M5 x 12	8
88	225815	Screw m 6 x 16	4
89	GM79316	Bolt, M5 x10 plated	3
90	225824	Nut	2
91	252725	Nut	1
92	GM79317	Collar	1
93	GM79318	Bolt	1
96	252851	Gasket	1
97	256755	Cover	1

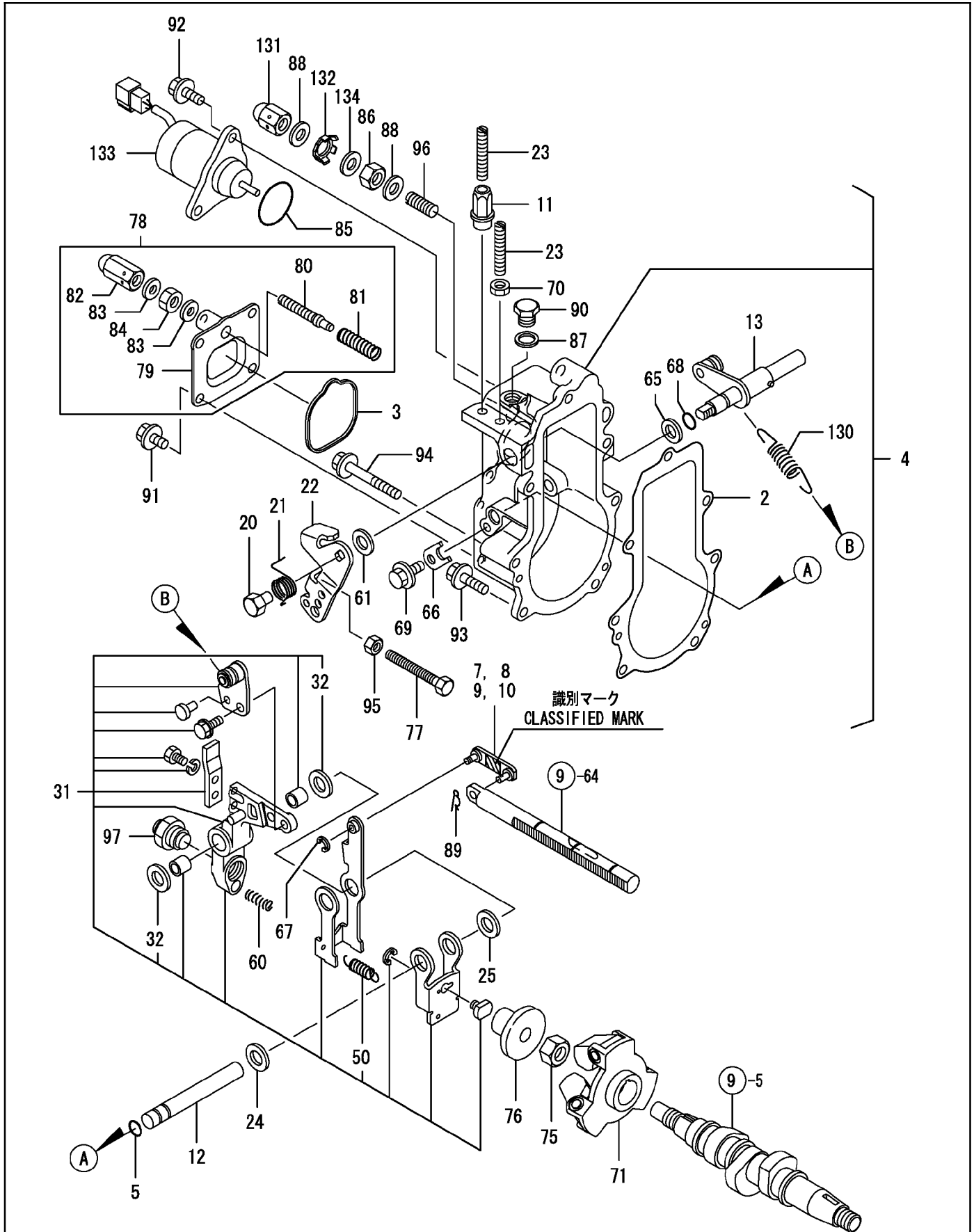
Group 10: Fuel Injection Pump, continued



Group 10: Fuel Injection Pump, continued

Item	Part Number	Description	Quantity
			Var. No.
			5
1	GM79287	Injection pump assy.	1
4	GM42717	Joint	1
10	GM42750	Key, woodruff 4 x 16	1
37	GM42718	Stopper	1
38	GM42719	O-ring	1
39	GM42719	O-ring	1
40	GM69340	Setting, delivery	3
49	GM42721	Spring	3
57	GM42724	Plug	1
58	GM42725	Barrel plug	1
59	GM42726	Packing	3
60	GM42726	Packing	1
61	GM42727	Plug	1
62	GM42729	Lifter	1
63	GM42730	Timer set	1
64	GM42731	Timer component	1
67	GM42732	O-ring	1
68	GM42733	Ring, backup	1
69	GM42734	O-ring	1
70	GM42735	Packing	1
71	GM42736	Ring, backup	1
72	GM79288	Plug, timer	1
73	GM42737	Packing, head	1
74	GM42738	Spring, timer	1
76	GM42740	Joint	1
77	GM42741	O-ring	1
78	GM42742	Packing, timer	1
98	GM42743	Piston	1
99	GM52211	Damper assy.	1
100	GM42745	Plug	1
101	225424	Seal washer 12s	1
102	GM42748	Seal washer	1
103	256518	Plug	1
105	GM42753	Bolt	4
106	GM42746	Pump assy., feed	1
107	GM52212	O-ring	1
108	GM42747	O-ring	1
110	225424	Seal washer 12s	2
111	225424	Seal washer 12s	2
112	GM35714	Washer, spring	1
113	GM42749	Parallel pin, 5 x 14	2
114	225808	Pin	2
115	250972	Joint bolt 6	1
117	250800	O-ring	1
118	GM42752	O-ring	1
119	GM42735	Packing	1
120	229498	Bolt, M6 x 10 plated	1
124	GM42754	Bolt, M8 x 45	4
125	GM35734	Nut, lock M14 plated	1
127	GM42755	Joint 12, pipe	1
129	GM35478	Bracket, pump	1
130	252696	Bolt, m8 x 16	1
131	252697	Bolt	1

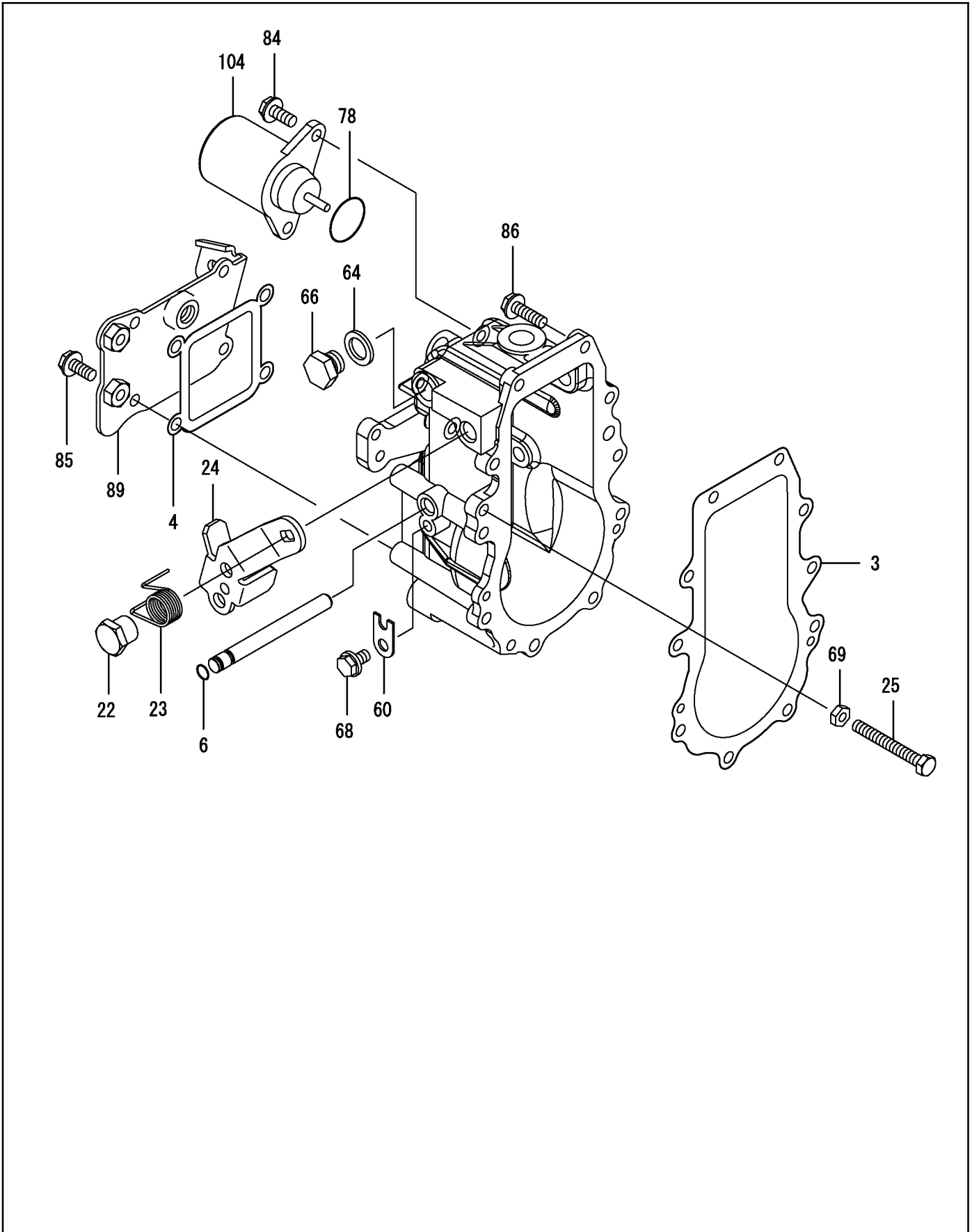
Group 11: Governor



Group 11: Governor

Item	Part Number	Description	Quantity
			Var. No.
2	GM79319	Gasket, case	1
3	GM79320	Gasket, cover	1
4	GM79321	Case assy., governor	1
5	252849	O-ring	1
7	GM79322	Link L=29.3	1
8	GM79323	Link L=29.8	1
9	GM79324	Link L=28.8	1
10	GM79325	Link L=30.3	1
11	GM79326	Nut, M6	1
12	225415	Shaft, governor lever	1
13	GM79327	Shaft assy., control	1
20	GM42758	Nut	1
21	GM79328	Spring, lever	1
22	GM79329	Lever, control	1
23	GM79330	Bolt, limiter	2
24	GM79331	Shim, t=0.6	1
25	225786	Spacer assy.	1
31	GM79332	Lever assy., governor	1
32	252592	Shim set	2
50	GM19694	Spring, set	1
60	GM79333	Spring, starting	1
61	GM79334	Shim set, lever	1
65	GM79335	Shim, t=1.0	1
66	229692	Retainer, shaft	1
67	GM79336	Circlip	1
68	229757	O-ring 1a s-7	1
69	229498	Bolt, M6 x 10 plated	1
70	225825	Lock nut	1
71	GM79337	Weight assy., governor	1
75	GM66399	Nut, governor weight	1
76	225781	Sleeve	1
77	225784	Bolt, idle limit	1
78	GM79338	Cover	1
79	GM79339	Cover, governor case	1
80	GM79340	Screw, adjusting	1
81	GM79341	Spring	1
82	225702	Nut, cap	1
83	225423	Seal washer 6	2
84	225825	Lock nut	1
85	GM52219	O-ring	1
86	GM79342	Nut	1
87	363452	Washer, seal 10S	1
88	225424	Seal washer 12s	2
89	225809	Pin, snap 4	1
90	256517	Plug	1
91	229498	Bolt, M6 x 10 plated	4
92	225818	Bolt, M6 x 14 plated	2
93	225817	Bolt, m6 x 20	4
94	229764	Bolt	3
95	225825	Lock nut	1
96	GM19695	Bolt, control	1
97	GM79343	Angleich assy.	1
130	GM79344	Spring, governor	1
131	GM79345	Cap nut	1
132	GM79346	Plate	1
133	225461	Solenoid kit, stop (includes O-ring)	1
134	250970	Gasket	1

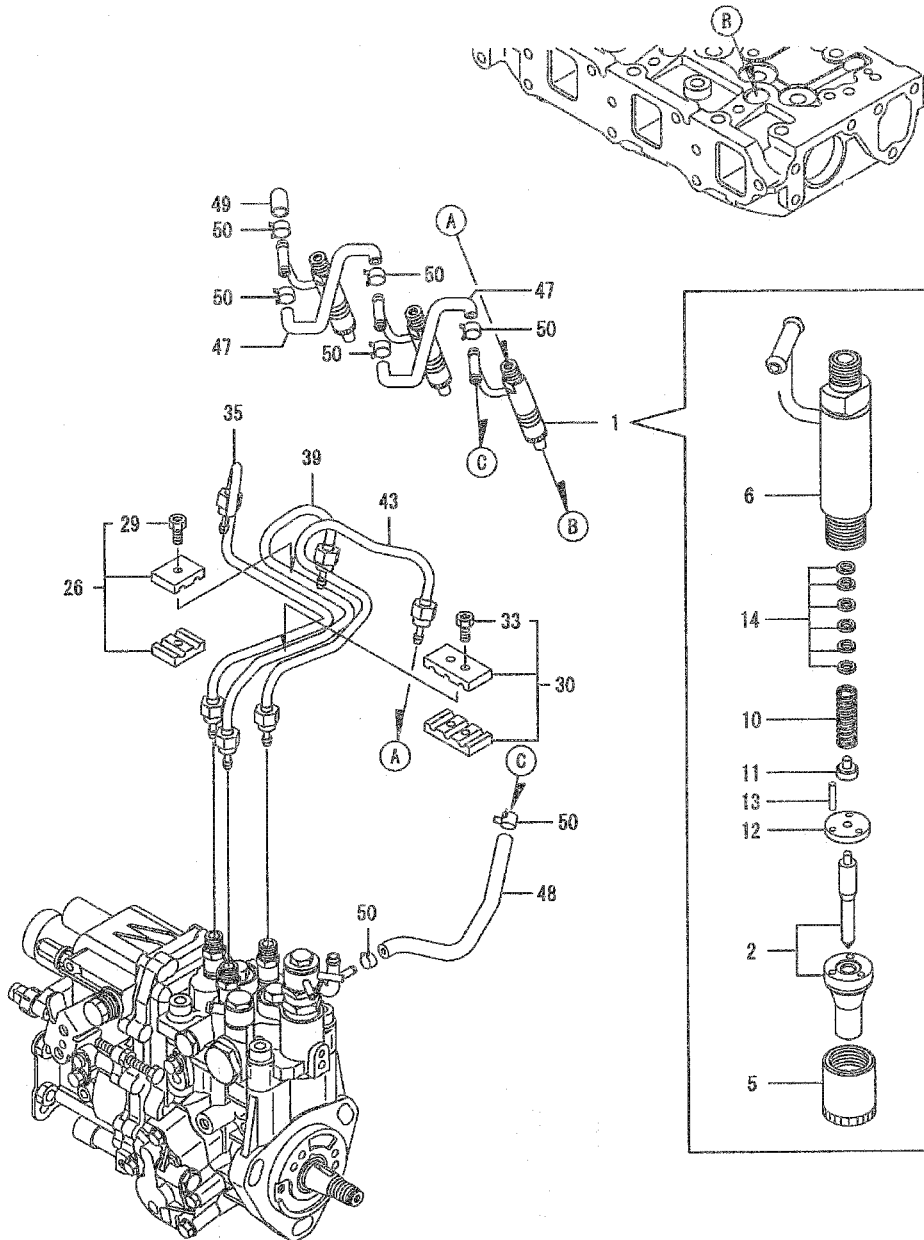
Group 11: Governor, continued



Group 11: Governor, continued

Item	Part Number	Description	Quantity	
			Var. No.	
			2	3
3	GM42756	Packing, case	1	1
4	GM42757	Packing	1	1
6	252849	O-ring	1	1
22	GM42758	Nut	1	1
23	GM42759	Spring	1	1
24	GM42760	Lever, regulator	1	1
25	225784	Bolt, idle limit	1	1
60	229692	Retainer, shaft	1	1
64	GM42762	Seal washer	1	1
66	256518	Plug	1	1
68	229498	Bolt, M6 x 10 plated	1	1
69	225825	Lock nut	1	1
78	GM52219	O-ring	1	1
84	225818	Bolt, M6 x 14 plated	2	2
85	225818	Bolt, M6 x 14 plated	4	4
86	225817	Bolt, m6 x 20	10	10
89	GM42763	Cover, case	1	1
104	225461	Solenoid kit, stop (includes O-ring)	1	
104	GM58632	Solenoid, stop (24 V)		1

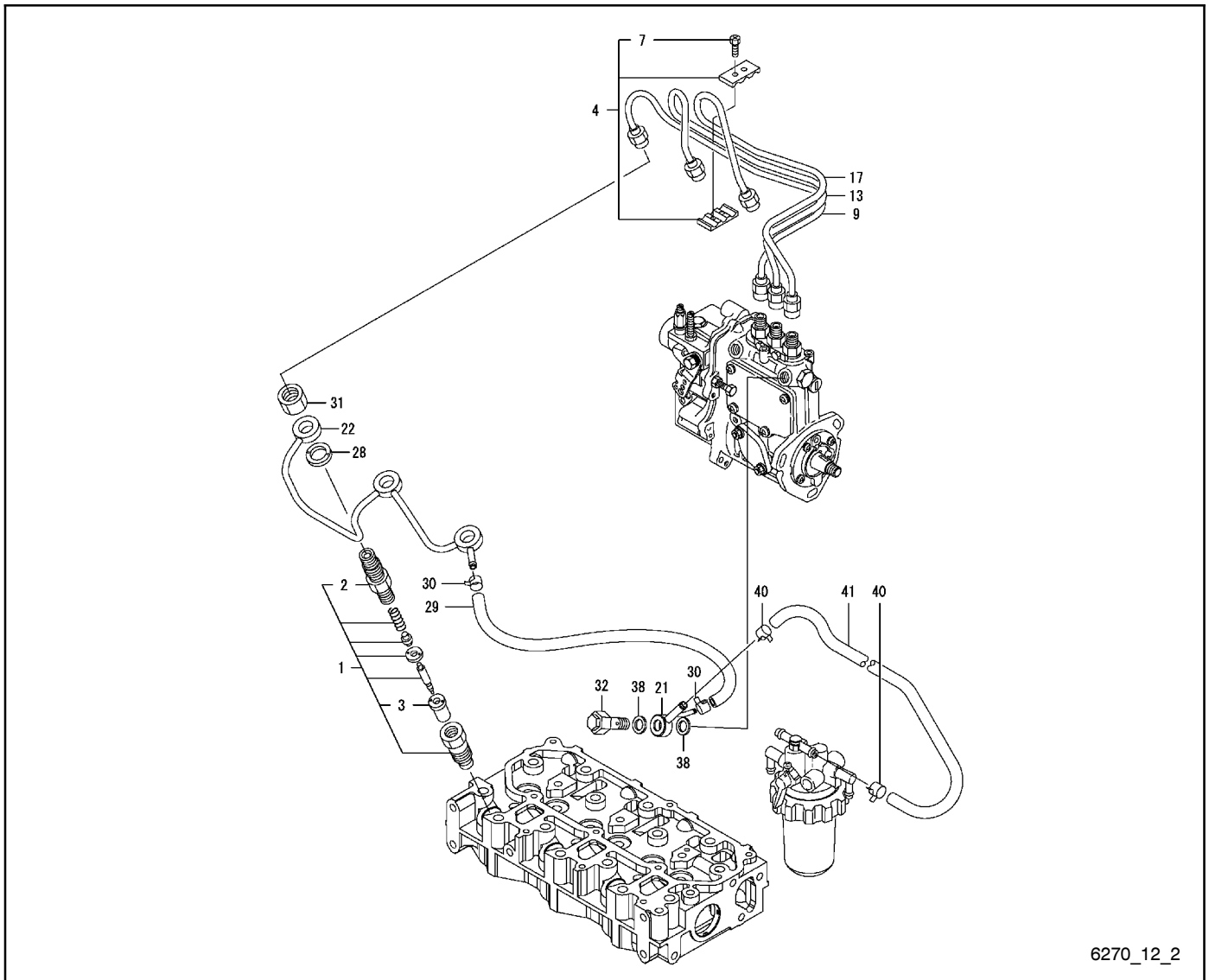
Group 12: Fuel Injection Valve



6270_12

Item	Part Number	Description	Quantity		Item	Part Number	Description	Quantity	
			1	Var. No.				1	Var. No.
1	GM35743	Fuel injector	3		29	225418	Bolt, M4 x 14 hex socket	1	
2	GM35494	Nozzle assembly	3		30	256774	Clamp assembly, line	1	
5	256520	Nut, nozzle case	3		33	225418	Bolt, M4 x 14 hex socket	2	
6	GM35479	Holder assembly, nozzle	3		35	GM35484	Pipe assembly, injection	1	
10	256521	Spring nozzle	3		39	GM35485	Pipe assembly, injection	1	
11	256522	Seat, nozzle spring	3		43	GM35486	Pipe assembly, injection	1	
12	256523	Plate, stop	3		47	GM35573	Pipe, fuel oil	2	
13	256707	Pin	6		48	GM35483	Pipe, fuel oil	1	
14	256524	Shim set	3		49	GM35574	Cap	1	
26	225374	Retainer	1		50	249843	Hose clamp	7	

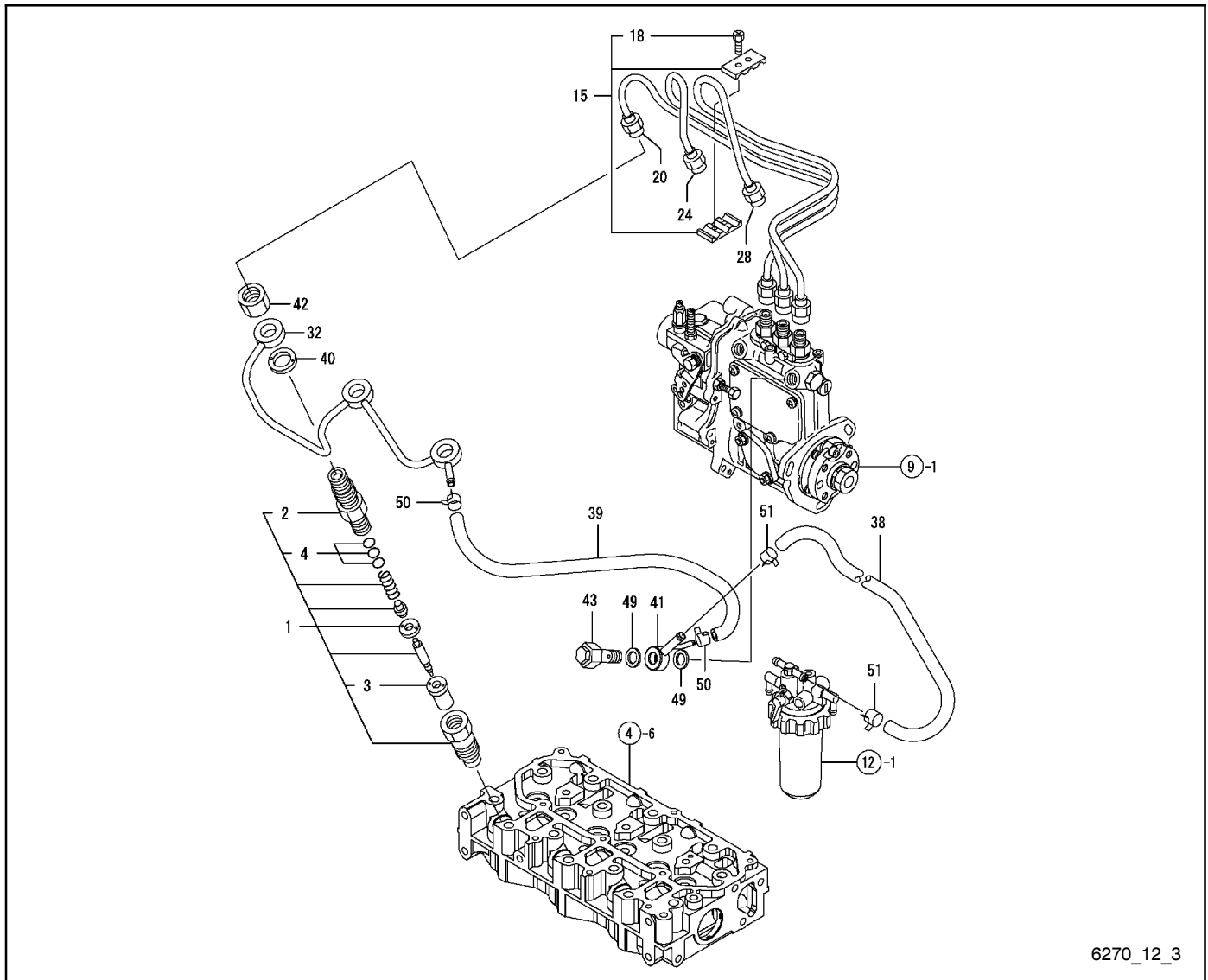
Group 12: Fuel Injection Valve, continued



6270_12_2

Item	Part Number	Description	Quantity	
				Var. No.
			2	
1	GM47337	Valve assembly, injection	3	
2	GM47336	Holder, nozzle	3	
3	GM47338	Nozzle assembly	3	
4	256774	Clamp assembly, line	1	
7	225418	Bolt, M4 x 14 hex socket	2	
9	GM47340	Pipe, fuel injection	1	
13	GM47341	Pipe, fuel injection	1	
17	GM47342	Pipe, fuel injection	1	
21	225406	Joint	1	
22	GM47339	Pipe assembly, return	1	
28	GM47345	Gasket, return	3	
29	GM47343	Pipe, fuel oil	1	
30	249843	Hose clamp	2	
31	229662	Nut	3	
32	GM47344	Valve assembly, check	1	
38	225424	Seal washer 12S	2	
40	—	Clamp (see Group 103)	2	
41	—	Fuel line (see Group 103)	1	

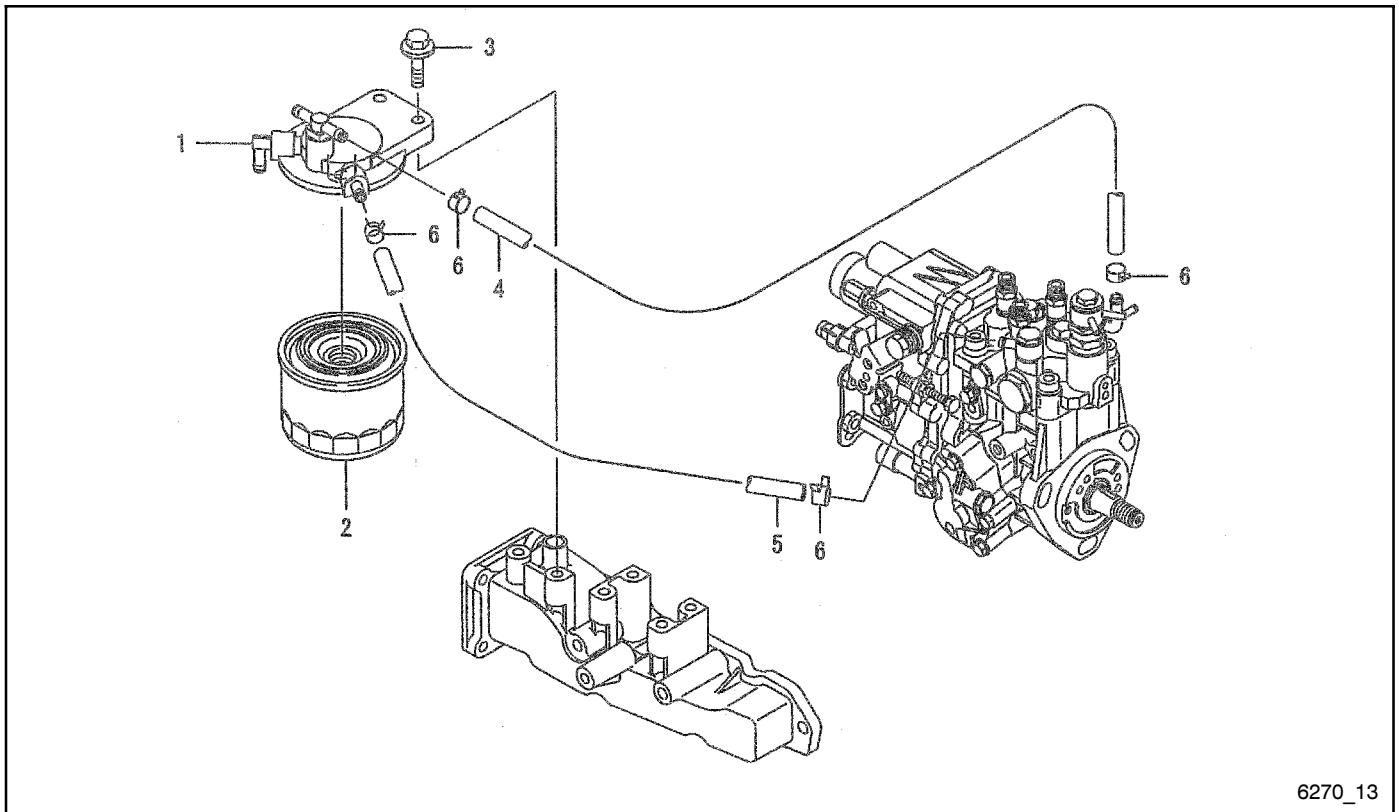
Group 12: Fuel Injection Valve, continued



6270_12_3

Item	Part Number	Description	Quantity	
				Var. No.
1	GM47337	Valve assembly, injection	3	
2	GM47336	Holder, nozzle	3	
3	GM47338	Nozzle assembly	3	
4	GM79347	Shim set, adjusting	3	
15	256774	Clamp assembly, line	1	
18	225418	Bolt, M4 x 14 Hex. Socket	2	
20	GM47340	Pipe, fuel injection	1	
24	GM47341	Pipe, fuel injection	1	
28	GM47342	Pipe, fuel injection	1	
32	GM47339	Pipe assembly, return	1	
38	GM79348	Pipe, fuel oil	1	
39	GM47343	Pipe, fuel oil	1	
40	GM47345	Gasket, return	3	
41	225406	Joint	1	
42	229662	Nut	3	
43	GM47344	Valve assembly, check	1	
49	225424	Seal washer 12s	2	
50	249843	Hose clamp	2	
51	252670	Clamp	2	

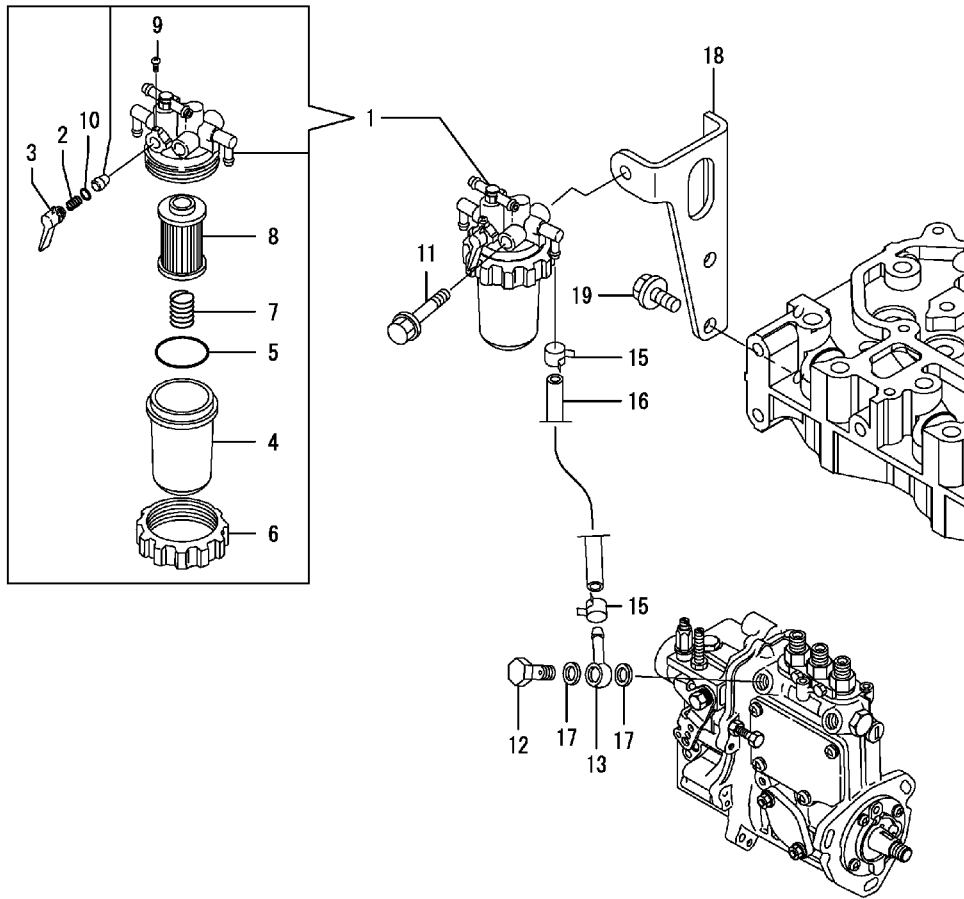
Group 13: Fuel Line and Filter



6270_13

Item	Part Number	Description	Quantity
			Var. No.
1	GM35541	Bracket, filter	1
2	GM32359	Filter, fuel	1
3	225819	Bolt M8 x 30 plated	2
4	X-386-93	Pipe, fuel oil	1
5	X-386-135	Pipe, fuel oil	1
6	X-426-9	Clamp	4

Group 13: Fuel Line and Filter, continued

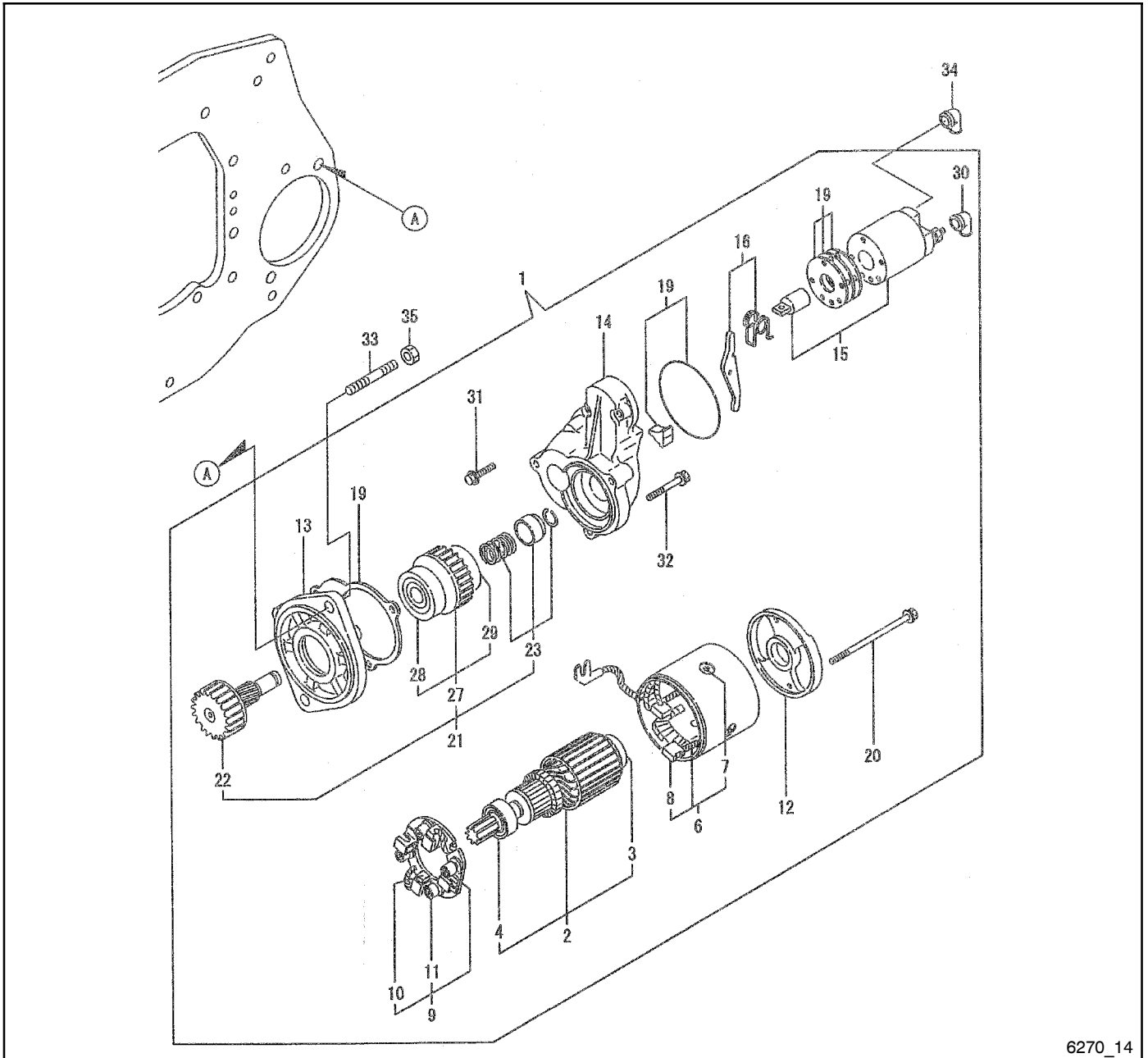


6270_13_2

Item	Part Number	Description	Qty.	
			2	3
1	GM47042	Filter assembly, fuel	1	
1	GM79281	Filter assembly, fuel		1
2	GM47346	Spring, taper valve	1	1
3	GM47349	Lever	1	1
4	229709	Cup, strainer	1	1
5	229550	O-ring	1	1
6	250821	Retainer	1	1
7	229708	Spring	1	1
8	GM10979	Element, fuel filter	1	1
9	GM47347	Screw, M4	1	1

Item	Part Number	Description	Qty.	
			2	3
10	225811	O-ring	1	1
11	229758	Bolt w/washer, M8 x 70	1	1
12	229552	Bolt, pipe joint	1	1
13	256567	Joint 12, pipe	1	1
15	—	Clamp (see Group 103)	2	
15	252670	Clamp		2
16	—	Fuel line (see Group 103)	1	
16	GM79282	Fuel line		1
17	225424	Seal washer, 12S	2	2
18	GM47348	Bracket, filter	1	1
19	252696	Bolt, M8 x 16	2	2

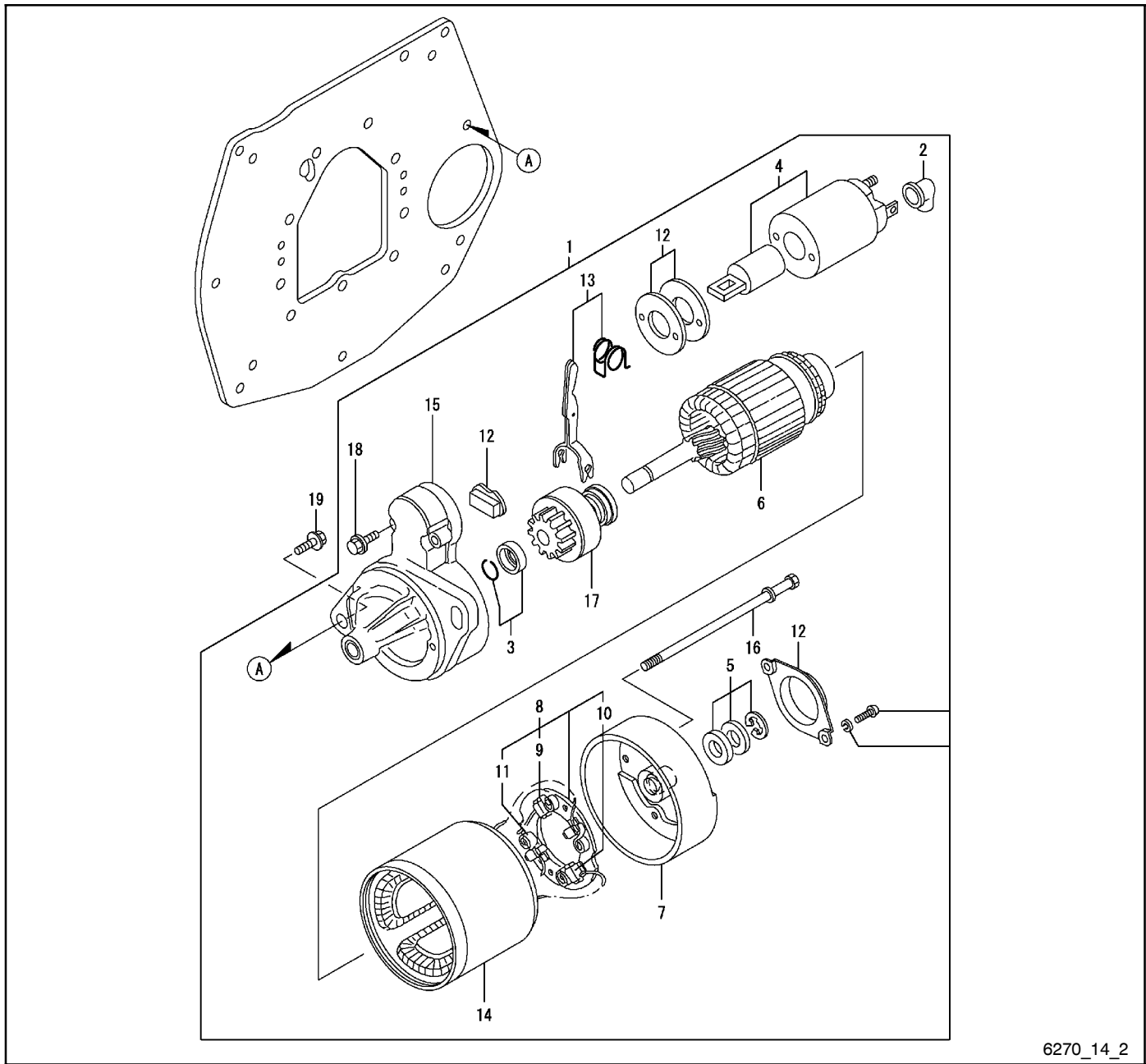
Group 14: Starting Motor



6270_14

Item	Part Number	Description	Quantity		Item	Part Number	Description	Quantity	
			1	2				1	2
1	344743-P	Starter, 12 V	1		19	225909	Dust cover	1	
1	GM39020	Starter, 24 V	1	1	20	225910	Through bolt	2	
2	225895	Armature assembly	1		21	225911	Pinion assembly	1	
3	GM35772	Ball bearing	1		22	225912	Pinion shaft	1	
4	GM35769	Ball bearing	1		23	225913	Pinion stopper set	1	
6	225898	Field coil assembly	1		27	GM35770	Clutch assembly	1	
7	225899	Screw	4		28	GM35771	Ball bearing	1	
8	225900	Brush (+)	2		29	GM35774	Ball bearing	1	
9	225901	Holder assembly	1		30	225917	Cover	1	
10	225902	Brush (-)	2		31	225920	Bolt	2	
11	225903	Brush spring	4		32	225921	Bolt	3	
12	225904	Rear cover	1		33	GM35516	Stud, starter	2	
13	225905	Gear housing assembly	1		34	252481	Cover	1	
14	225906	Center housing	1		35	252725	Nut	2	
15	225907	Switch, magnetic	1						
16	225908	Shift lever set	1						

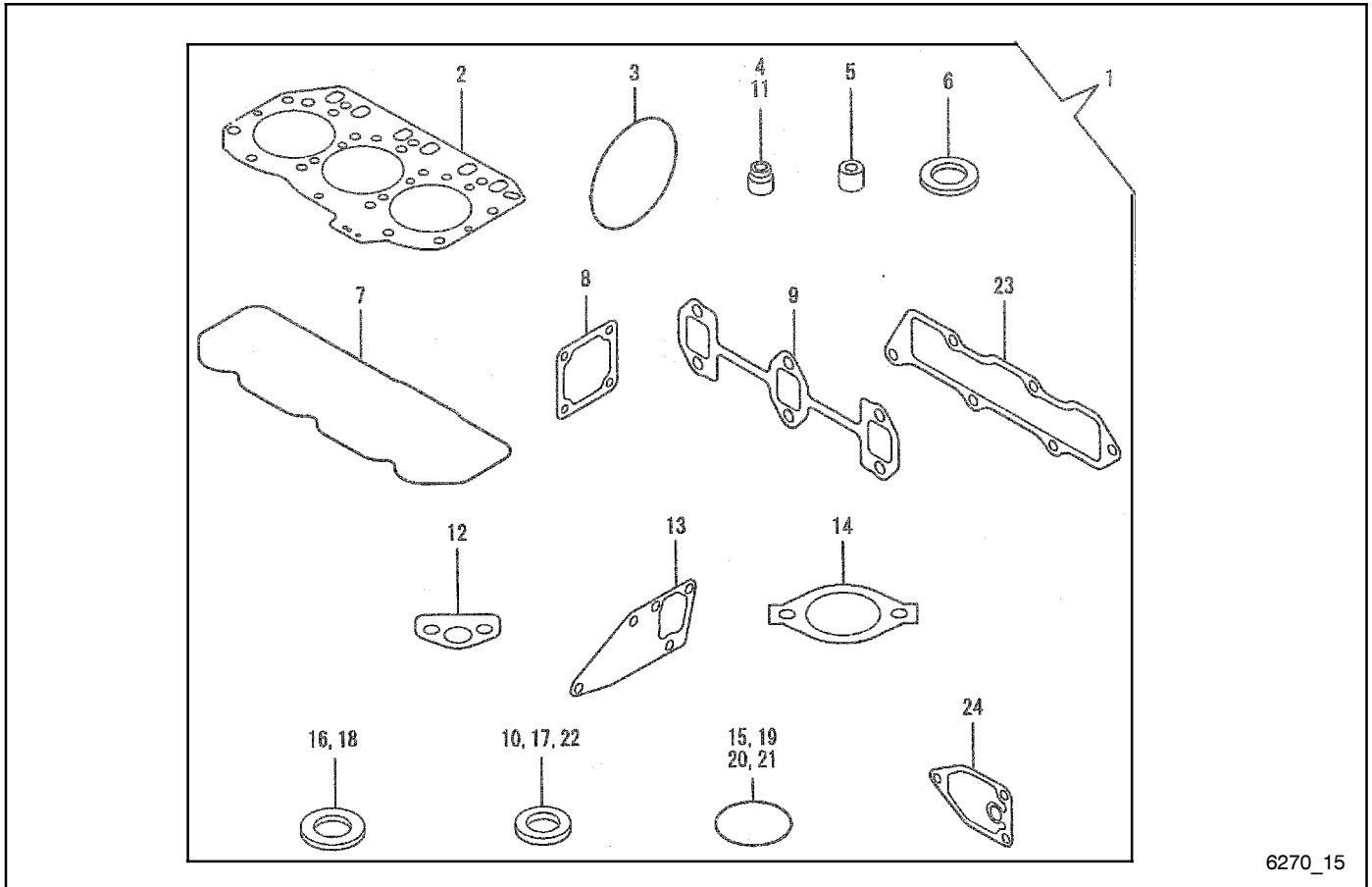
Group 14: Starting Motor, continued



6270_14_2

Item	Part Number	Description	Quantity		Item	Part Number	Description	Quantity	
				Var. No.					Var. No.
1	229704	Starter	3		11	363009	Spring, brush	3	
2	363417	Cover terminal	1		12	363006	Cover kit, dust	4	
3	252630	Stopper set, pinion	1		13	363007	Shift lever kit	1	
4	GM47353	Switch, magnet	1		14	363092	Yoke assy.	1	
5	252631	Washer set, thrust	1		15	363078	Case, gear	1	
6	363004	Armature	1		16	363093	Through bolt	2	
7	363005	Cover assy., rear	1		17	363079	Pinion	1	
8	GM47351	Holder assembly, brush	1		18	363010	Bolt, M6 x 37	2	
9	363008	Brush (-)	2		19	225820	Bolt, M10 x 30 plated	2	
10	GM47352	Brush (+)	1		19	229768	Bolt, M10 x 30	2	

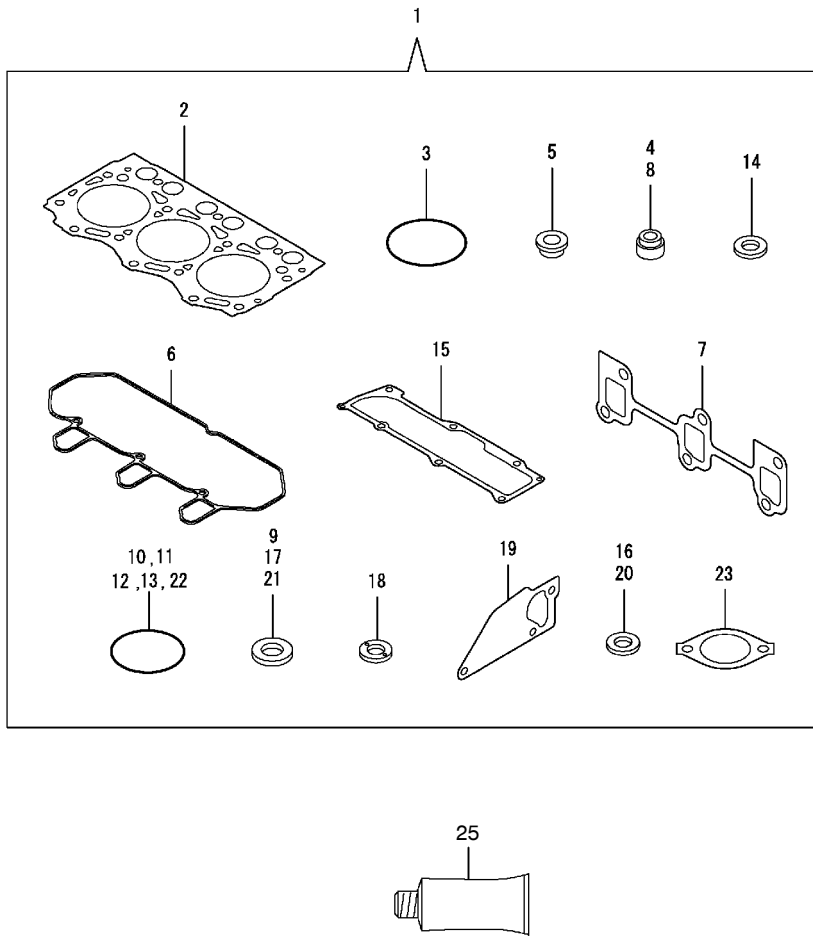
Group 15: Gasket Set



6270_15

Item	Part Number	Description	Quantity
			Var. No.
1	GM35741	Gasket set	1
2	GM33836	Gasket, cylinder head	1
3	252764	O-ring, pump	1
4	250844	Valve seal	3
5	GM35450	Protector, nozzle	3
6	252744	Seat	3
7	GM35445	Gasket, bonnet	1
8	225778	Gasket	1
9	225717	Gasket, exhaust man	1
10	225425	Seal washer	1
11	225766	Seal, valve stem	3
12	225775	Gasket	1
13	GM35580	Gasket	1
14	249865	Gasket	1
15	GM35421	O-ring	4
16	250967	Gasket 8, round	1
17	252734	Washer 8, seal	2
18	GM35517	Gasket	2
19	250801	O ring	3
20	252684	O-ring	2
21	256796	O-ring	1
22	363452	Washer, seal	2
23	GM33685	Gasket, intake manifold	1
24	225776	Gasket	1

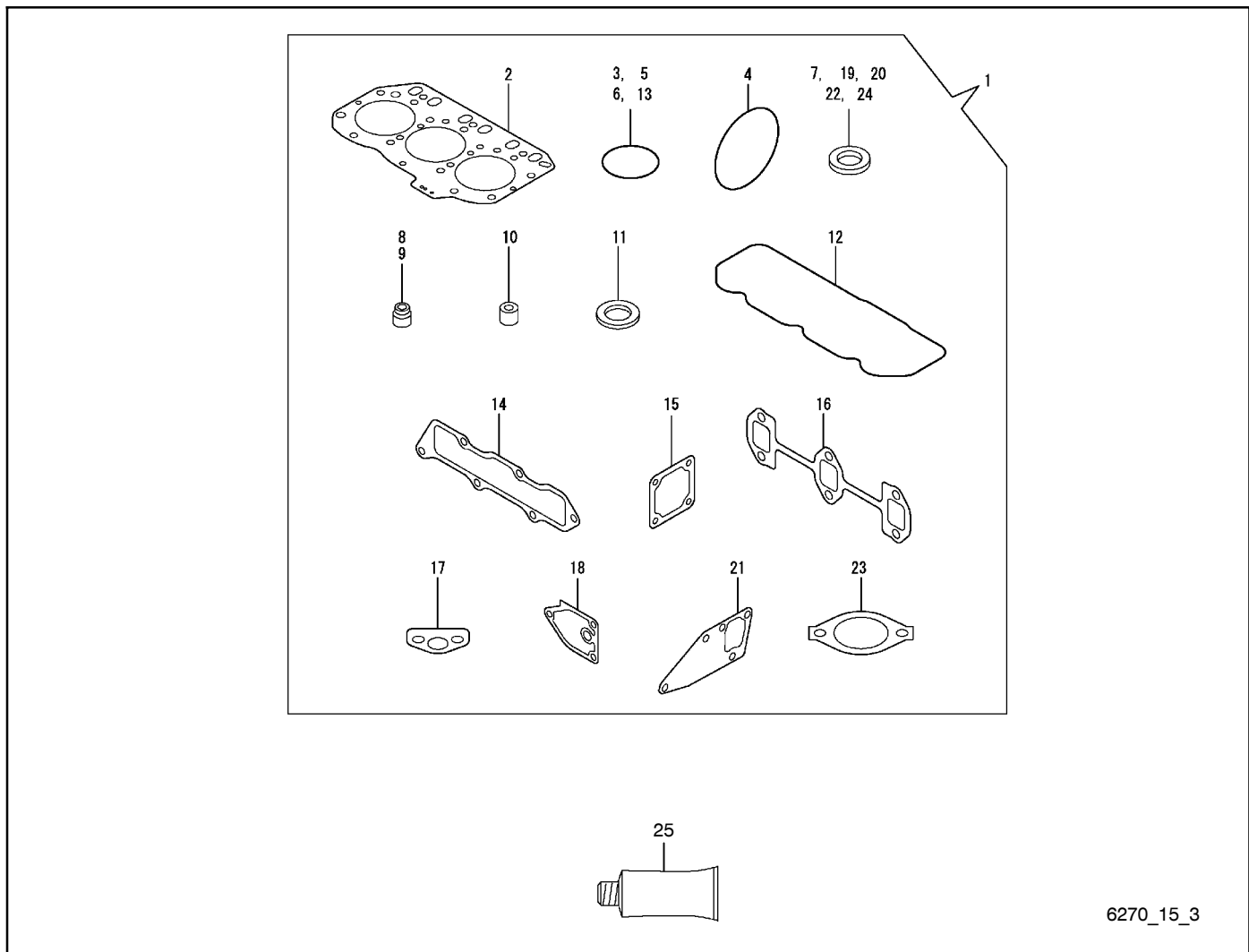
Group 15: Gasket Set, continued



6270_15_2

Item	Part Number	Description	Quantity		Item	Part Number	Description	Quantity	
				Var. No.					Var. No.
1	GM47354	Gasket set	1		13	GM47264	O-ring	3	
2	GM47255	Gasket, cylinder head	1		14	229624	Gasket	6	
3	252764	O-ring, fuel injection pump	1		15	GM47288	Gasket, bonnet cover	1	
4	GM35424	Seal, valve stem	3		16	252773	Packing 16	2	
5	GM47297	Protector, nozzle	3		17	225424	Seal washer	4	
6	GM47295	Gasket, bonnet	1		18	GM47345	Gasket, return	3	
7	GM47292	Gasket, manifold	1		19	GM47327	Gasket, water pump	1	
8	GM35425	Seal, valve stem	3		20	250967	Gasket, round	1	
9	252734	Washer 8, seal	4		21	363448	Washer, seal 16S	1	
10	252684	O-ring	2		22	256796	O-ring	1	
11	GM47322	O-ring	1		23	249865	Gasket	1	
12	GM47260	O-ring	1		25	GM46206	Gasket, liquid	1	

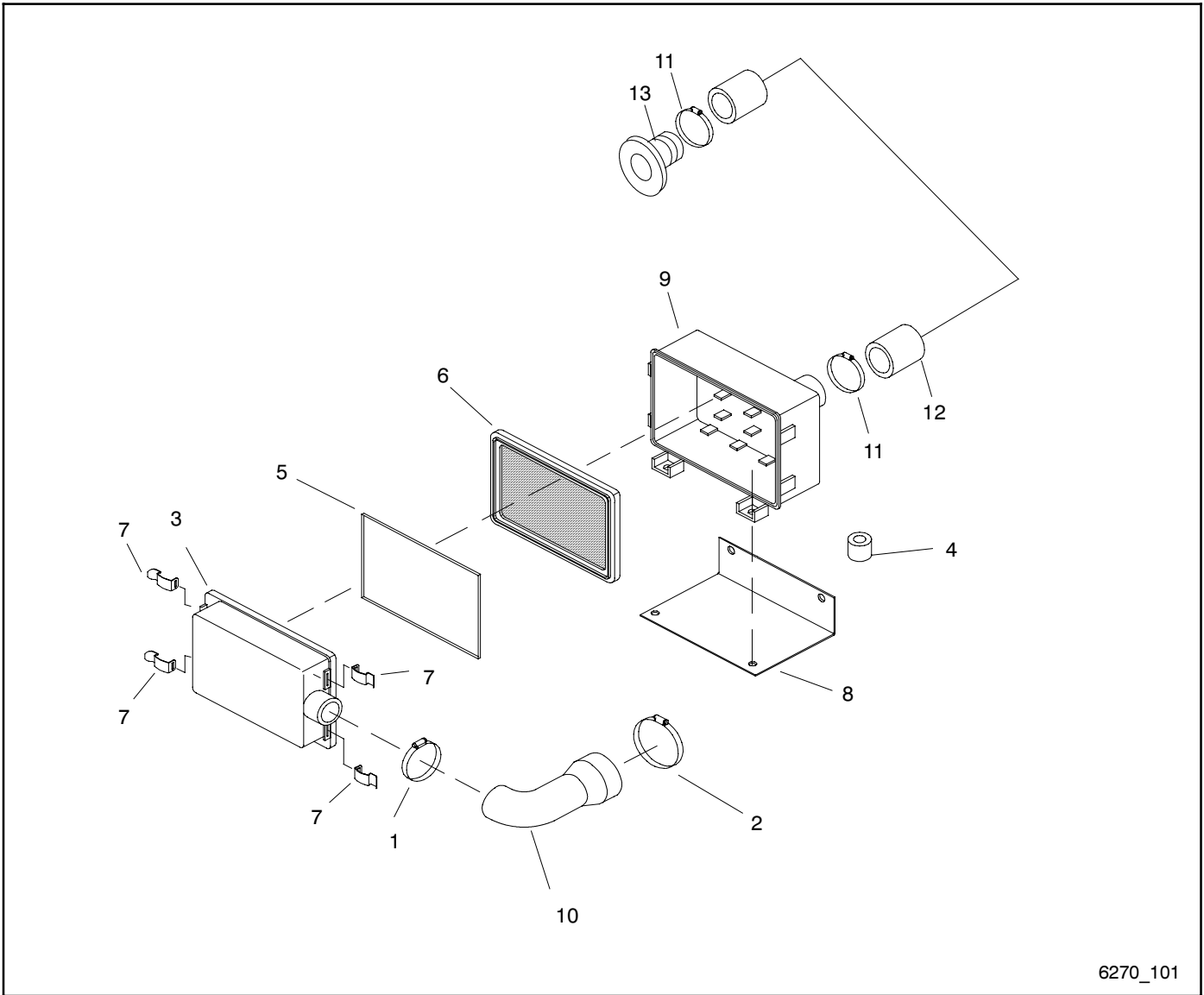
Group 15: Gasket Set, continued



6270_15_3

Item	Part Number	Description	Quantity
			Var. No.
1	GM79289	Gasket set	3
			1

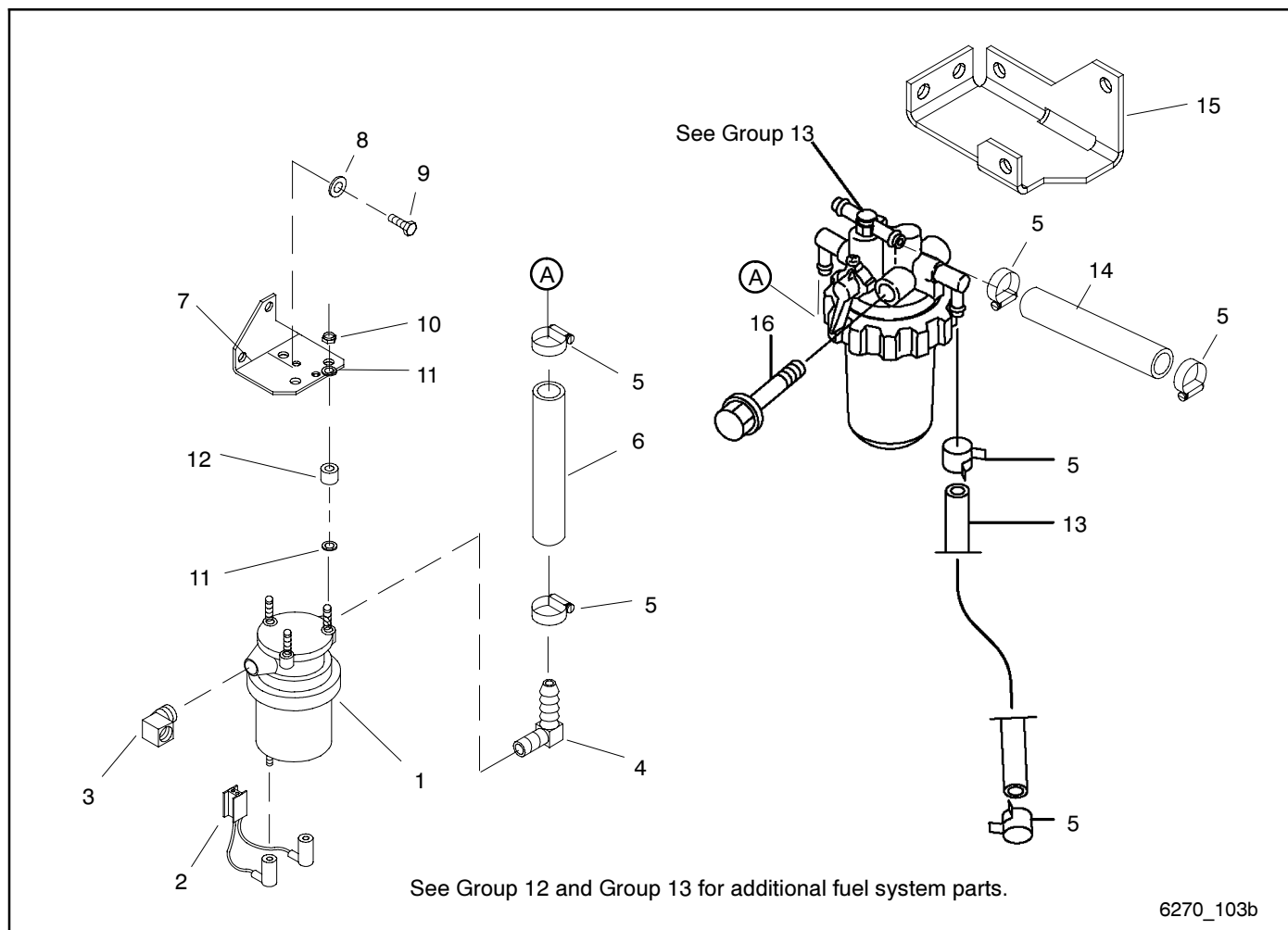
Group 101: Air Intake



6270_101

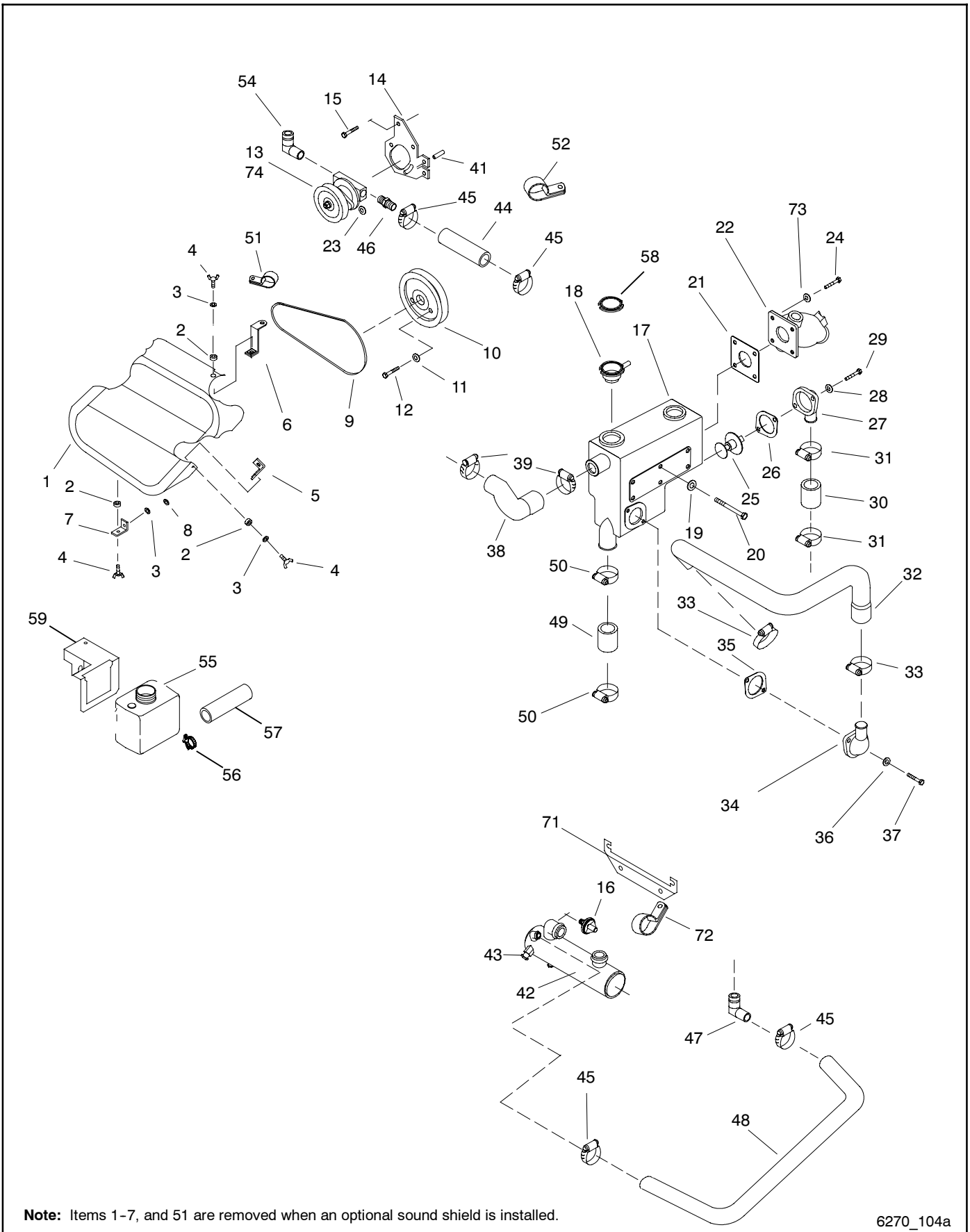
Item	Part Number	Description	Quantity			
			GR1	2	3	4
1	X-426-19	Clamp, hose, 1/2 in.	1	1	1	1
2	X-426-6	Clamp, hose, 1.56/2.5 in.	1	1	1	1
3	278856	Cover, plastic	1	1	1	1
4	X-400-28	Spacer, 0.282 ID x 0.5 OD x 0.531 in.	1	1	1	1
5	278857	Filter, air	1	1	1	1
6	278858	Element, air cleaner	1	1	1	1
7	278862	Clip, air cleaner	4	4	4	4
8	GM31177-BLK	Bracket, air cleaner mounting	1			1
8	GM37433	Bracket, air cleaner mounting		1	1	
9	278855	Base, air cleaner	1	1	1	1
10	344224	Hose, molded air intake, 1.29 in. ID	1			1
10	GM37434	Hose, molded air intake		1	1	
11	X-426-4	Clamp, hose	2	2	2	2
12	359585	Duct	1	1	1	1
13	359476	Connector, hose	1	1	1	1

Group 103: Fuel System



Item	Part Number	Description	Quantity							
			GR2	GR9	3	4	5	6	7	
1	229051	Pump, fuel	1		1	1	1	1	1	
1	344740	Pump, fuel		1						1
2	229168	Lead assembly	1	1	1	1	1	1	1	1
3	X-555-1	Elbow, street, 1/4 x 1/4	1	1	1	1	1	1	1	1
4	X-391-25	Connector, 90 deg. 5/16 in. ID hose	1	1	1	1	1	1	1	1
5	X-426-9	Clamp, hose, .25/.70 in.	2	2	6	2	6	2	2	2
6	X-386-101	Fuel line, flexible	1	1					1	1
6	X-386-79	Hose			1	1	1			
7	229065	Bracket, fuel pump	1	1					1	1
7	GM38396	Bracket, fuel pump			1	1	1			
8	M125A-12-80	Washer	2	2					2	2
9	M933-12020-60	Bolt, hex head	2	2					2	2
10	X-101-25	Nut, hex elastic stop	3	3	3	3	3	3	3	3
11	X-25-40	Washer	6	6	6	6	6	6	6	6
12	X-284-39	Grommet	3	3	3	3	3	3	3	3
13	X-386-135	Line, flex fuel			1			1		
13	-	Line, fuel (See Group 13)				1				
14	X-386-79	Hose			1		1			
14	-	Hose (See Group 12)				1				
15	GM41018	Bracket, fuel filter mounting			1	1	1			
16	M931-08070-60	Screw, hex cap			1	1	1			

Group 104: Cooling System



Note: Items 1-7, and 51 are removed when an optional sound shield is installed.

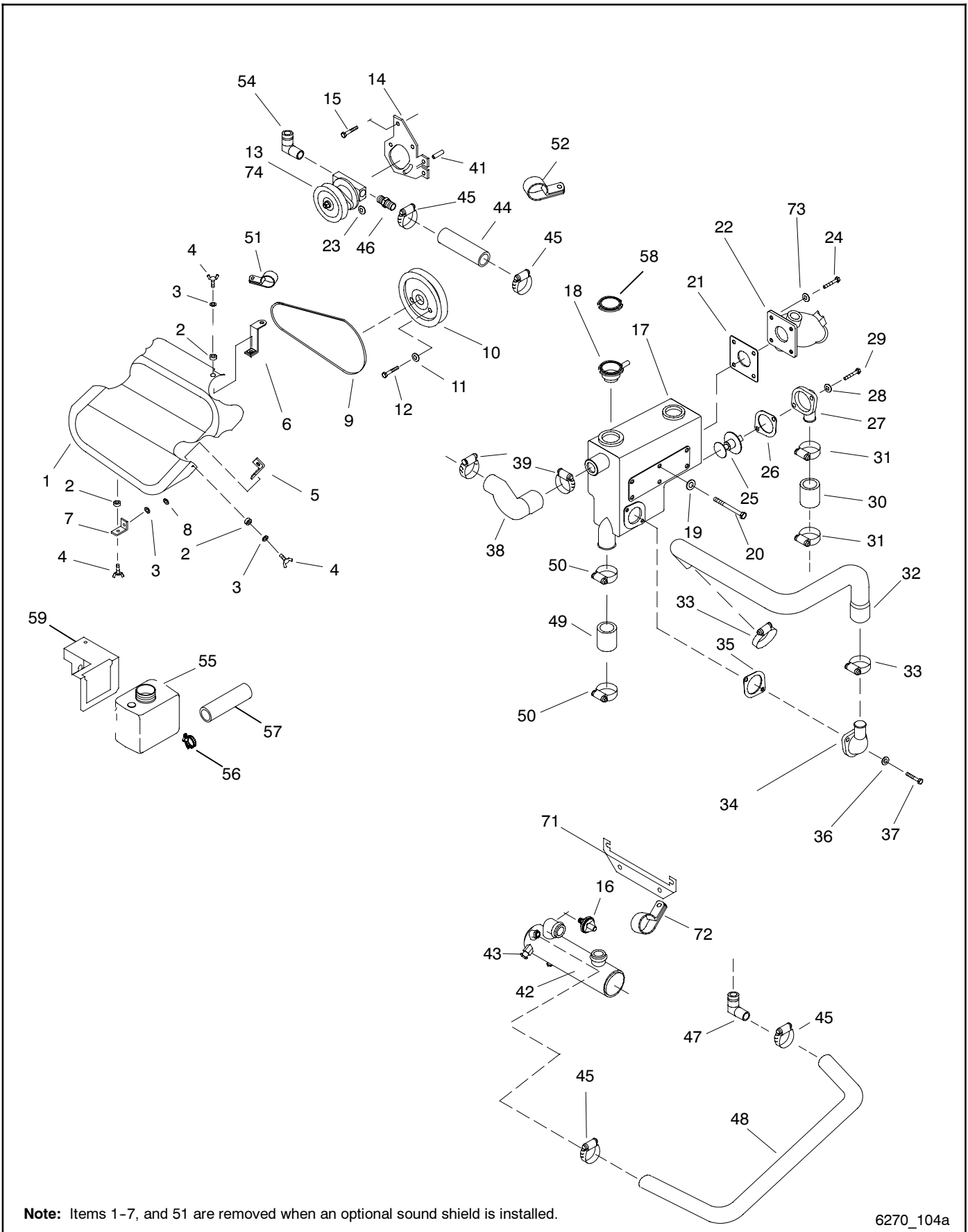
6270_104a

Group 104: Cooling System

Item	Part Number	Description	Quantity					
			Variation Number					
			GR3	GR10	3	4	5	6
1	GM30592	Guard, belt	1	1			1	1
1	GM38459	Guard, belt			1	1		
2	X-284-39	Grommet	3	3	3	3	3	3
3	X-25-40	Washer, plain	3	3	3	3	3	3
4	229330	Screw, wing	3	3	3	3	3	3
5	GM30573	Bracket, belt guard	1				1	
5	GM33857	Bracket, belt guard		1				1
5	GM38461	Bracket, belt guard			1	1		
6	GM30571	Bracket, belt guard	1				1	
6	GM33855	Bracket, belt guard		1				1
6	GM38462	Bracket, belt guard			1	1		
7	GM30572	Bracket, belt guard	1				1	
7	GM33856	Bracket, belt guard		1				1
7	GM38460	Bracket, belt guard			1	1		
8	X-400-170	Spacer, 0.344 ID x 0.625 OD x 0.143 in.	1	1			1	1
9	229125	V-Belt, 27 in.	1	1			1	1
9	GM13660	V-Belt, 25.5 in.			1	1		
10	GM30244	Pulley, pump drive	1	1				
10	GM42280	Pulley, pump drive			1	1	1	1
11	M125A-10-80	Washer, plain	3	3	3	3	3	3
12	M933-10025-60	Screw, HC M10-1.50	3	3	3	3	3	3
13	GM46963	Service Kit, Seawater Pump* (before serial number 2104903)	1	1				
13	GM46964	Service Kit, Seawater Pump* (before serial number 2104903)			1			
13	-	Pump, seawater (serial number 2104903 and later, see item 74)	1	1	1	1	1	1
14	GM30243	Bracket, seawater pump	1	1			1	1
14	GM38443	Bracket, seawater pump			1	1		
15	M931-08060-60	Screw, HC	2	2			2	2
16	GM30263	Switch, pressure	1	1	1	1	1	1
17	260115	Manifold, exhaust	1	1			1	1
17	GM37631	Manifold, exhaust			1	1		
18	241311	Neck	1	1	1	1	1	1
19	M125A-08-80	Washer	6	6	6	6	6	6
20	M931-08120-60	Screw, hex head cap	6	6			6	6
20	M931-08100-60	Screw, hex head cap			2	2		
20	M931-08140-60	Screw, hex head cap			4	4		
21	249905	Gasket, exhaust	1	1	1	1	1	1
22	229063	Tube, mixing	1	1	1	1	1	1
23	X-25-85	Washer, 5/16	2	2	2			
23	M125A-08-80	Washer, plain			4			
24	X-125-5	Screw, 5/16-18 x 1	4	4			4	4
24	M933-08025-60	Screw, hex cap			4	4		
25	GM47556	Thermostat	1	1	1	1	1	1
26	229963	Gasket, water outlet	1	1	1	1	1	1
27	229064	Cover, thermostat	1	1	1	1	1	1
28	X-25-85	Washer	2	2			2	2
28	M125A-08-80	Washer, plain			2	2		
29	X-125-31	Screw, 5/16-8 x 0.875	2	2			2	2
29	M933-08020-60	Screw, hex cap			2	2		
30	229232	Hose, coolant	1	1			1	1
30	GM37677	Hose, molded coolant			1	1		
30	GM12028	Sleeving, expandable (not shown)			1	1		
31	X-426-8	Clamp, hose, 1 15/16 x 1 3/16	2	2	2	2	2	2
32	GM30020	Hose, molded coolant	1	1			1	1
32	GM37404	Hose, molded coolant			1	1		
33	X-426-8	Clamp, hose, 1 15/16 x 1 3/16	2	2	2	2	2	2
34	229064	Cover, thermostat	1	1	1	1	1	1
35	229963	Gasket, water outlet	1	1	1	1	1	1
36	X-25-85	Washer	2	2			2	2
36	M125A-08-80	Washer, plain			2	2		
37	X-125-31	Screw, 5/16-8 x 0.875	2	2			2	2
37	M933-08020-60	Screw, hex cap			2	2		
38	229057	Hose, molded coolant	1	1			1	1
38	344880	Hose, molded coolant, 1.10 in. ID			1	1		
39	X-426-8	Clamp, hose, 1 15/16 x 1 3/16	2	2	2	2	2	2
41	X-400-104	Spacer, 0.375 ID x 0.75 ID x 0.5 in.	1	1			1	1
41	X-400-262	Spacer, 6.60 ID x 12.70 OD x 8.38 L			2	2		
41	X-400-263	Spacer, 6.60 ID x 12.70 OD x 12.08 L			1	1		
41	X-400-264	Spacer, 8.74 ID x 18.55 OD x 16.08 L			1	1		

* Seawater pump service kit includes pump GM46936 (item 74), item 14 bracket, and hardware.

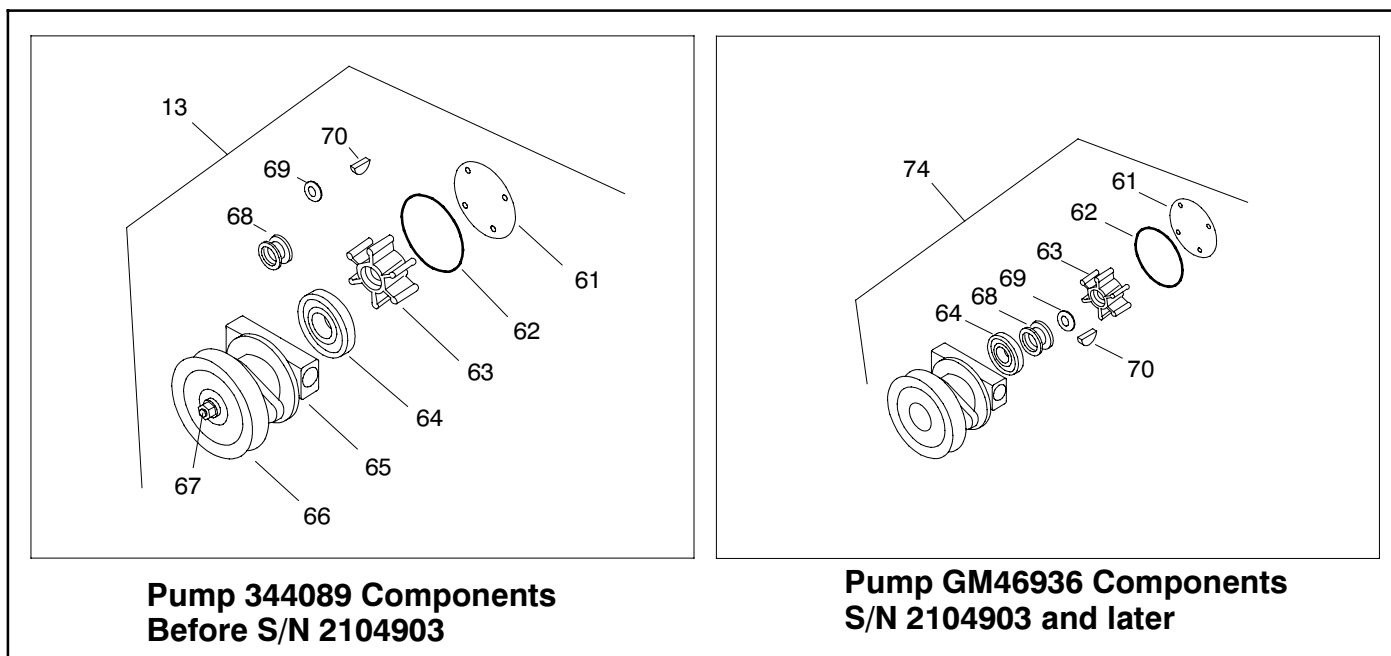
Group 104: Cooling System, continued



Note: Items 1-7, and 51 are removed when an optional sound shield is installed.

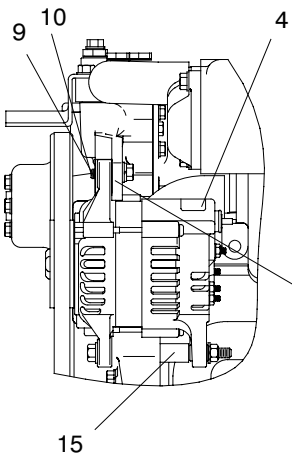
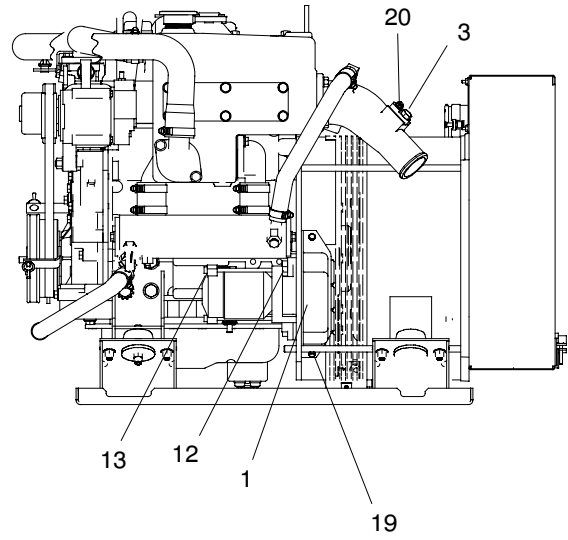
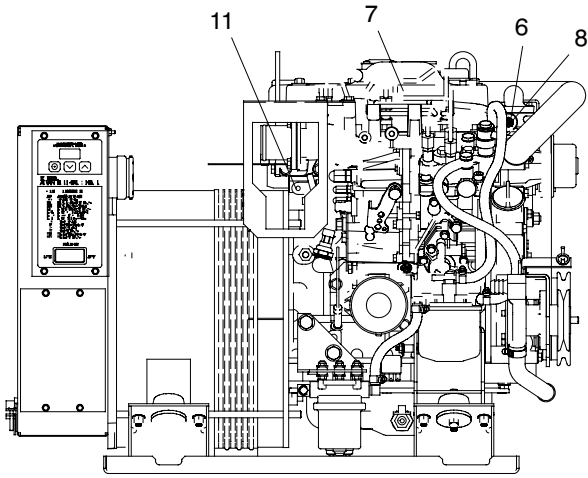
6270_104a

Group 104: Cooling System, continued

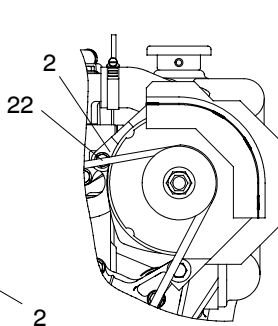


Item	Part Number	Description	Quantity					
			Variation Number					
			GR3	GR10	3	4	5	6
42	GM30880	Exchanger, heat	1	1			1	1
42	GM37676	Exchanger, heat			1	1		
43	260085	Zinc anode	1	1	1	1	1	1
44	X-312-46	Hose, 0.63 in ID	1	1			1	1
44	GM38472	Hose, molded seawater			1	1		
45	X-426-3	Clamp, hose, 1/2 x 1 13/32	4	4	4	4	4	4
46	X-582-2	Connector, hose	1	1			1	1
46	X-391-2	Connector, 90 deg., 5/8 in. ID hose			1	1		
47	X-391-2	Connector, 90 deg., 5/8 in. ID hose	1	1	1		1	1
48	X-312-4	Hose, 0.63 in. ID	1	1			1	1
48	X-312-62	Hose, 0.63 in. ID			1	1		
49	229232	Hose	1	1			1	1
49	GM37678	Hose, molded coolant			1	1		
50	X-426-8	Clamp, hose, 1 15/16 x 1 3/16	2	2	2	2	2	2
51	X-672-21	Clamp, insulated	1	1			1	1
52	X-672-3	Clamp, insulated	1	1			1	1
54	X-391-2	Connector, 90 deg., 5/8 in. ID hose	1	1		1	1	1
54	X-391-23	Connector, 90 deg. (3/4 in. ID hose)			1			
55	359037	Bottle, overflow	1	1	1	1	1	1
56	X-426-9	Clamp, hose	2	2	2	2	2	2
57	X-386-34	Hose	1	1	1	1	1	1
58	229980	Cap	1	1	1	1	1	1
59	GM30570-WHT	Bracket, water bottle	1	1			1	1
59	GM38437-WHT	Bracket, water bottle			1	1		
61	344306	Plate, cover	1	1	1	1	1	1
62	344584	Gasket	1	1	1	1	1	1
63	229826	Kit, impeller (includes gasket)	1	1	1	1	1	1
64	344043	Bearing, ball	1	1	1	1	1	1
65	344585	Housing	1	1				
66	344606	Pulley	1	1				
67	344587	Shaft, drive	1	1				
68	GM16865	Seal	1	1	1	1	1	1
69	GM22995	Seat, ceramic	1	1	1	1	1	1
70	GM17702	Key	1	1	1	1	1	1
71	GM38448	Bracket, heat exchanger			1	1		
72	X-672-33	Clamp, insulated, 2.62 in.			2	2		
73	X-25-85	Washer, 5/16	4	4			4	4
73	M125A-08-80	Washer, plain			4	4		
74	GM46936	Pump, seawater (serial number 2104903 and later)	1	1	1	1	1	1

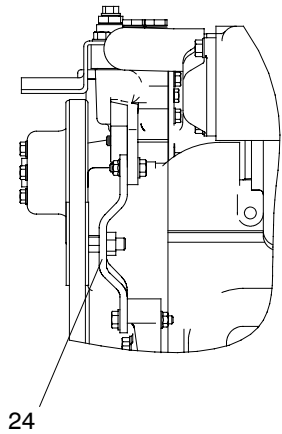
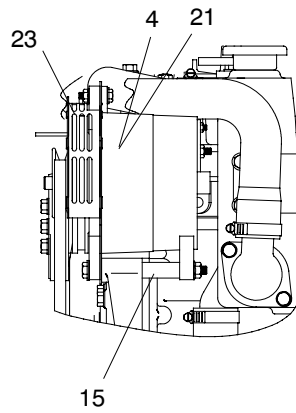
Group 105: Engine



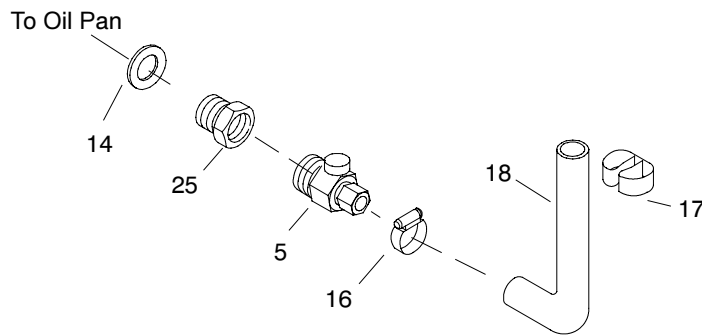
12 Volt Mounting



24 Volt Mounting



Alternator Removed



6270_105a

Group 105: Engine

Item	Part Number	Description	Quantity														
			Variation Number														
			GR4	GR11	GR17	GR18	3	4	5	6	7	8	9	10	11		
1	229113	Guard, generator fan	1	1	1	1			1	1	1	1	1	1	1	1	1
2	229212	Bracket, alternator fan	1		1								1			1	
2	254784	Arm, alternator adjusting		1		1											
2	324410	Arm, alternator adjusting										1					
2	GM60300	Arm, alternator adjusting													1		1
3	249872	Switch, high temperature cutout	1	1	1	1	1	1	1	1	1	1	1	1	1	1	1
4	256924	Alternator	1		1		1		1	1	1		1		1		1
4	344742	Alternator	1	1		1									1		1
5	359653	Valve, drain	1	1	1	1	1	1	1	1	1	1	1	1	1	1	1
6	GM28823	Sender, temperature	1	1	1	1	1	1	1	1	1	1	1	1	1	1	1
7	GM52087	Engine assembly, 3TNV82A-GGK (see Groups 1-15 for parts)	1	1									1	1			
7	GM55412	Engine assembly, 3TNV82A-XKMR (see Groups 1-15 for parts)				1	1									1	1
7	GM35300	Engine assembly, 3TNV76 (see Groups 1-15 for parts)						1	1								
7	GM52086	Engine, Yanmar 3TNV76-GGK2 (see Groups 1-15 for parts)															
8	GM30245	Bushing, adapter	1	1	1	1	1	1	1	1	1	1	1	1	1	1	1
9	M934-06-60	Nut, hex, 6 mm	1		1			1	1	1	1	1	1	1	1	1	1
10	X-22-11	Washer, lock, 0.262 ID x 0.469 in. OD	2		2			1	1	1	1	1	2		2		2
11	X-22-16	Washer, lock, 0.326 ID x 0.883 in. OD	5	5	5	5	2	2	2	2	2	2	2	2	2	2	2
12	X-22-26	Washer, lock, 0.521 ID x 1.24 in. OD	1	1	1	1							1	1	1	1	1
13	X-22-5	Washer, lock, 0.326 ID x 0.62 in. OD	1		1								1		1		1
14	X-25-145	Washer, plain, 0.859 ID x 1.185 in. OD	1	1	1	1							1	1	1	1	1
15	X-400-258	Spacer	1		1		1						1		1		1
15	X-400-260	Spacer		1		1									1		1
15	X-400-152	Spacer, 0.344 ID x 0.625 OD x 1.5 in.							1	1	1	1					
16	X-426-9	Clamp, hose, 0.25/0.720 in.	1	1	1	1	1	1	1	1	1	1	1	1	1	1	1
17	X-6084-1	Clip, hose	1	1	1	1	1	1	1	1	1	1	1	1	1	1	1
18	X-651-34	Hose	1	1	1	1	1	1	1	1	1	1	1	1	1	1	1
19	X-67-113	Screw, hex washer, thread-forming	2	2	2	2			2	2	2	2	2	2	2	2	2
20	X-6238-10	Screw, 3/8-16 x 0.75	1	1	1	1	1	1	1	1	1	1	1	1	1	1	1
21	X-431-37	Terminal, flag, female		1		1									1		1
22	X-400-41	Spacer		1		1											1
23	344815	Guard, alternator fan		1		1											1
24	229484	Pulley, tension assembly (Kit GM33125-KA1)	1	1	1	1		1			1						
25	249959	Adapter, bushing	1	1	1	1							1	1	1	1	1
25	GM48799	Adapter, bushing 3/8-18 x M16						1	1	1	1	1					

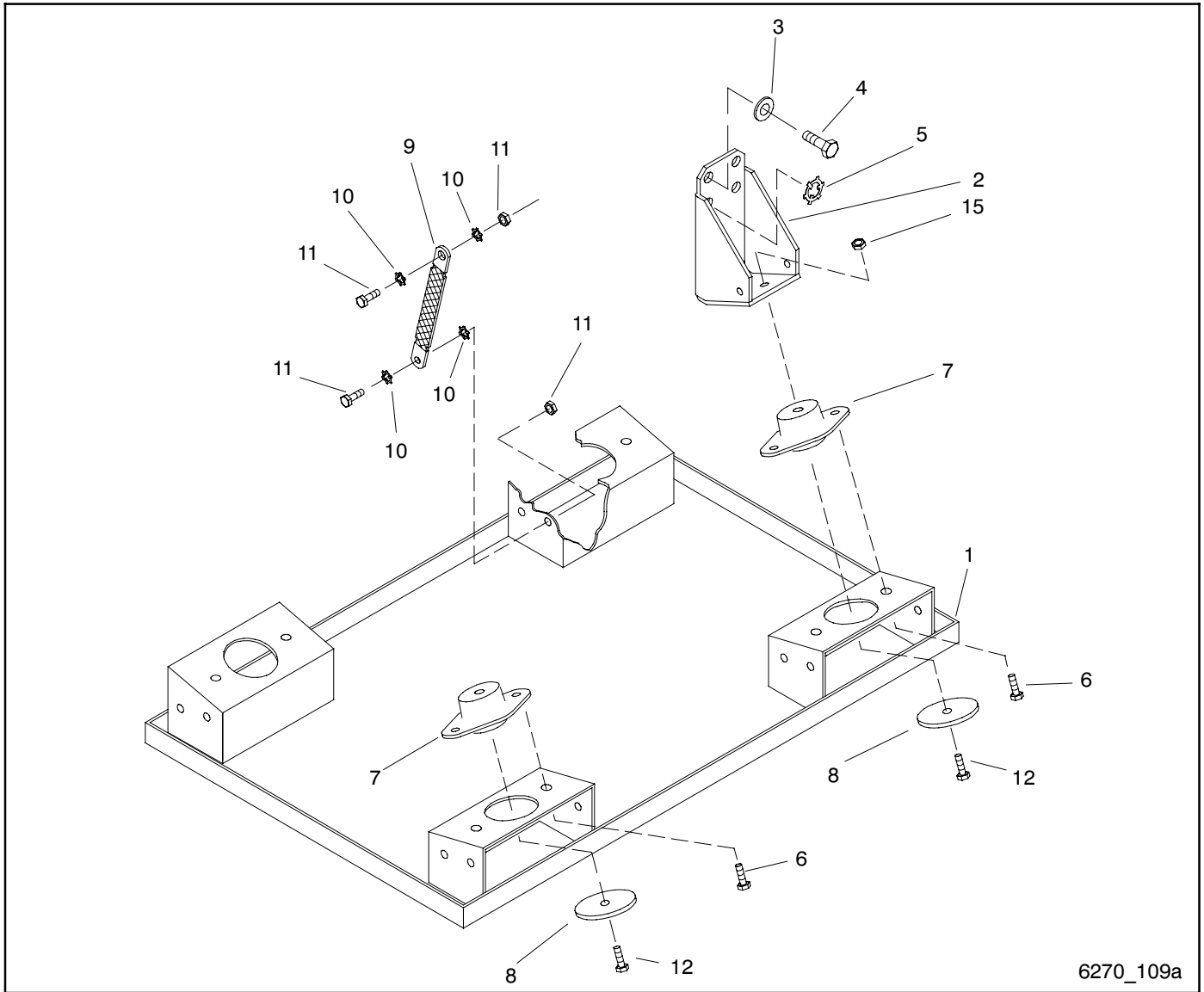
Note: Items 17 and 18 are removed when an optional sound shield is installed.

Group 107: Nameplate and Decals

Item	Part Number	Description	Quantity					
			Variation Number					
			GR5	GR14	3	4	5	6
1	249810	Decal, warning "Hot Coolant"	1	1	1	1	1	1
2	344282	Decal, "Notice Zinc Anode"	1	1	1	1	1	1
3	226917	Decal, negative battery connection	1	1	1	1	1	1
4	344295	Decal, equipment ground	1	1	1	1	1	1
5	GM14167	Decal, drain	3	3	3			
5	GM62794	Decal, drain				3	3	3
6	249808	Decal, warning "Rotating Parts"	1	1	1	1	1	1
7	224233	Decal, 1-800 number	1	1	1	1	1	1
8	294520	Decal, danger "High Voltage"	1	1	1	1	1	1
9	249809	Decal, warning "Hot Engine"	1	1	1	1	1	1
11	X-6348-10	Decal, Kohler Power Systems	1	1	1			
11	X-6275-4	Logo, Kohler				1	1	1
12	GM35838	Decal, reconnection 1 phase	1		1	1	1	
12	229883	Decal, reconnection 3 phase		1				1
13	344486	Decal, CE	1	1	1	1	1	1
14	246242	Decal, notice "This generator set has been rewired..."	1	1				
15	GM45906	Decal, fuse panel			1	1		
16	238162	Decal, pos. battery connection				1	1	1

Nameplate and decals not illustrated.

Group 109: Skid and Plant Mounting

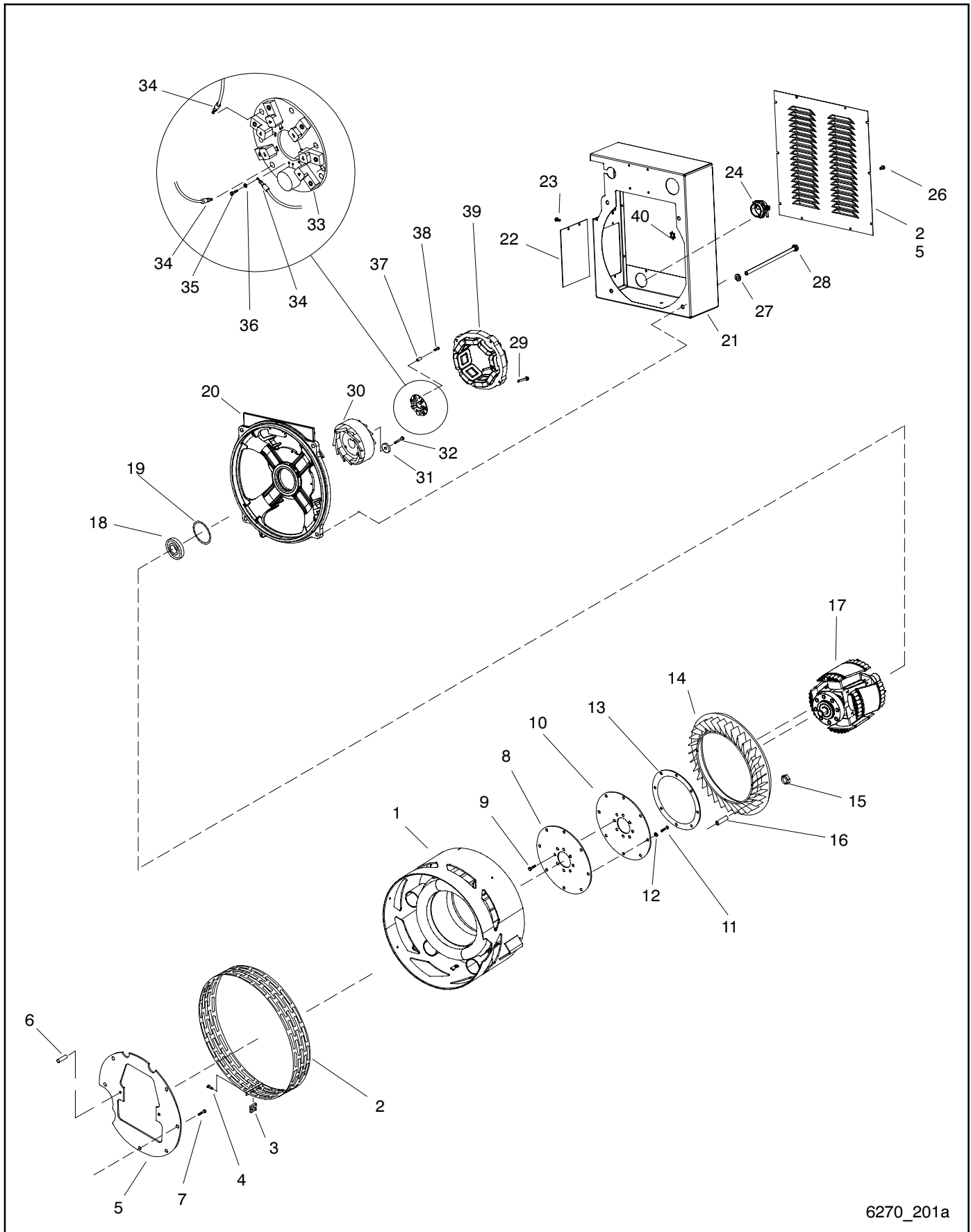


6270_109a

Item	Part Number	Description	Quantity			
			GR6	2	3	4
1	GM31907	Tray, drip	1			1
1	GM37600	Tray, drip		1	1	1
2	GM30382	Support, engine, left side	1			1
2	GM32403	Support, engine, right side	1			1
2	GM58979	Support, engine		2	2	
3	M125A-12-80	Washer	7			8
3	M125A-10-80	Washer		7	8	
4	#	Screw, hex head	8	8	8	8
5	X-22-26	Washer, lock, 0.521 ID x 1.24 in. OD	1			
5	X-22-14	Washer, lock, 0.391 ID x 0.975 in. OD		1		
6	#	Hardware, M8	8	8	8	8
7	278322	Vibromount	4			4
7	225124	Vibromount		4	4	4
8	X-25-96	Washer, plain, 0.406 ID x 2 in. OD	4	4	4	4
9	LK-0606-1515	Lead	1	1	1	1
10	X-22-12	Washer, lock, 0.262 ID x 0.743 in. OD	4	4	4	4
11	#	Hardware, M6	2	2	2	2
12	#	Hardware, M8	4	4	4	4
15	M982-08-80	Nut, elastic stop	4	4	4	4

Common hardware; procure locally.

Group 201: Generator and Mounting



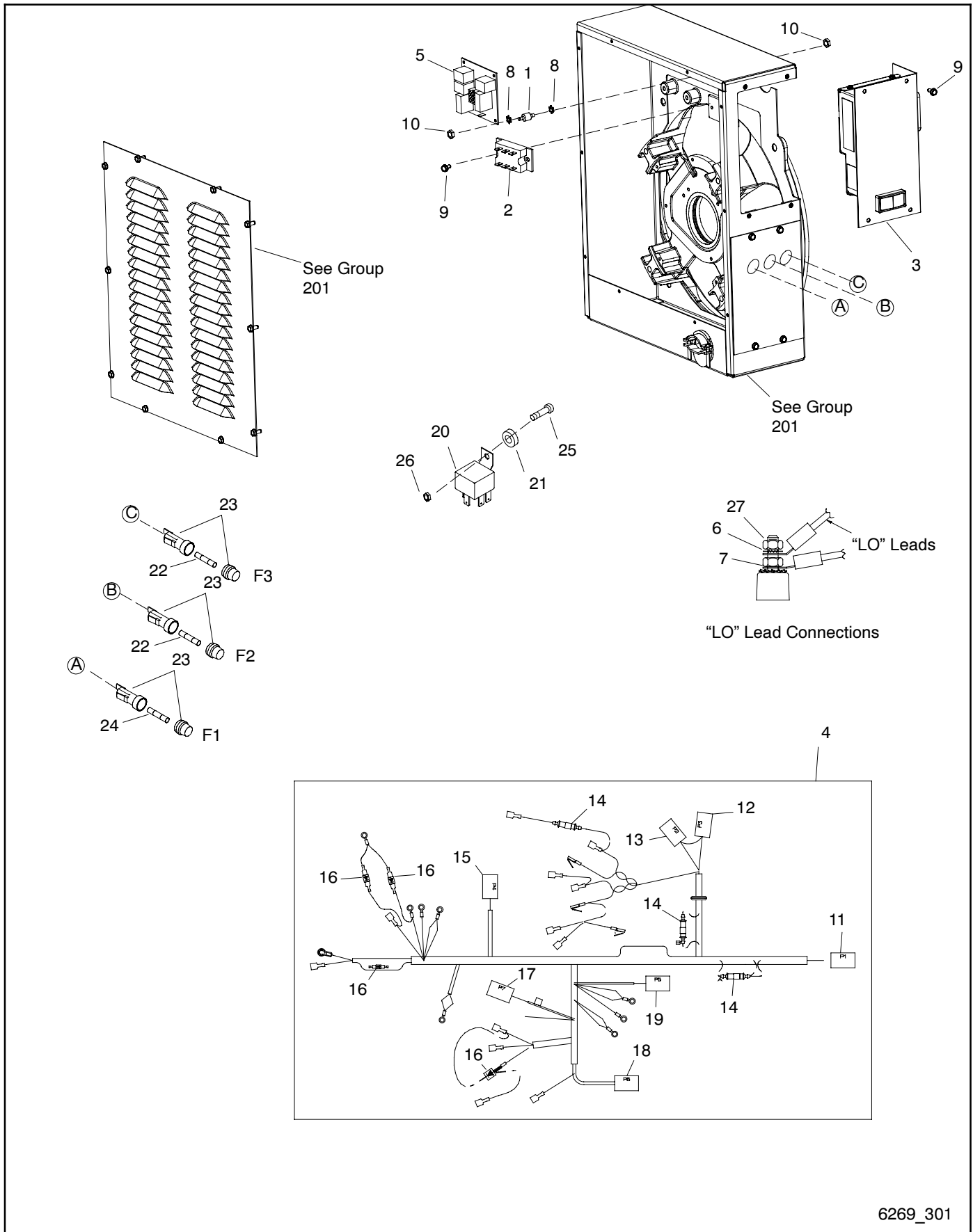
6270_201a

Group 201: Generator and Mounting

Item	Part Number	Description	Quantity					
			GR7	GR13	3	4	5	6
1	GM29342	Stator assembly	1				1	
1	GM29787	Stator assembly		1				1
1	GM29301	Stator assembly			1	1		
2	229109	Guard, generator fan	1	1	1	1	1	1
3	257442	Clip, speed	1	1	1	1	1	1
4	X-67-125	Screw, tapping, 10-24	1	1	1	1	1	1
5	229097	Plate, locator	1	1			1	1
5	229349	Plate, locator			1	1		
6	229356	Pin, knurled	2	2	2	2	2	2
7	M933-10012-60	Screw, M10-1.50	6	6	6	5	5	5
8	GM28588	Disc, drive			1	1		
9	X-6238-3	Screw, 3/8-16 x 0.875	8	8	8	8	8	8
10	257017	Disc, drive	2	2			2	2
10	257014	Disc, drive			2	2		
11	M933-08016-60	Screw, HC M8-1.25	8	8	8	8	8	8
12	M125A-08-80	Washer	8	8	8	8	8	8
13	229346	Disc, fan locator			1	1		
14	225215	Fan, generator	1	1				
14	225214	Fan, generator			1	1	1	1
15	X-6351-7	Nut, flange, whiz lock, M5-0.8			4	4	4	4
15	X-6284-2	Screw, slotted pan head machine	4	4	4	4	4	4
16	X-400-189	Spacer	4	4	4	4	4	4
17	A-229147	Rotor assembly (includes item 18)	1	1			1	1
17	A-229837	Rotor assembly (includes item 18)			1	1		
18	X-758-15	Bearing, ball	1	1	1	1	1	1
19	229110	O-ring	1	1	1	1	1	1
20	GM24810	Bracket, end	1	1	1	1	1	1
21	GM37366	Box, junction	1	1			1	1
21	GM38488	Box, junction			1	1		
22	GM30021	Plate, circuit breaker	1	1			1	1
22	GM46204	Plate, circuit breaker			1	1		
23	X-67-64	Screw, self-tapping	4	4				
23	X-6216-1	Screw, self-tapping			4	4	4	4
24	X-6266-1	Connector, cable	1	1	1	1	1	1
25	GM29689	Panel, junction box louver	1	1			1	1
25	GM38781	Panel, junction box louver			1	1		
26	X-6216-1	Screw, self-tapping	10	10	10	10	10	10
27	X-801-3	Washer, hardened	3	3	5	5	3	3
28	X-6051-20	Screw, hex head	4	4			4	4
28	M931-10235-60	Screw, hex head			4	4		
29	X-97-15	Screw, hex, 10-24	4	4	4	4	4	4
30	344567	Exciter, armature	1	1	1	1	1	1
31	X-25-129	Washer, plain	1	1	1	1	1	1
32	X-6238-3	Screw, 3/8-16 x 0.875	1	1	1	1	1	1
32	X-22-1	Washer, lock	1	1	1	1	1	1
33	A-229152	Circuit board, diode board	1	1	1	1	1	1
34	X-283-3	Terminal	3	3	3	3	3	3
35	X-51-8	Screw, 8-32 x 0.75	5	5	5	5	5	5
36	X-22-7	Washers, #8	5	5	5	5	5	5
37	X-712-17	Spacer	3	3	3	3	3	3
38	X-67-135	Screw, tapping, 10-24	3	3	3	3	3	3
39	GM30341	Exciter assembly, field	1	1	1	1	1	1
40	X-22-14	Washer, lock, 0.391 ID x 0.975 in. OD	1	1	1	1	1	1

Note: Item 25 is not used when an optional sound shield is installed. The sound shield parts are listed in the Accessory section of this manual.

Group 301: Controller and Mounting



Group 301: Controller and Mounting

Item	Part Number	Description	Quantity					
			Variation Number					
			GR15	GR16	3	4	5	6
1	282829	Vibromount	4	4	4	4	4	4
2	GM28483	SCR module	1	1	1	1	1	1
3	GM34969	Controller assembly, ADC 2100 (kit includes instructions)	1	1	1	1	1	1
4	GM50489	Harness, engine	1	1			1	1
4	GM50492	Harness, engine			1	1		
5	GM29671	PCB assembly, relay board, 12 V		1	1	1	1	
5	GM29778	PCB assembly, relay board, 24 V	1					1
6	X-22-11	Washer, lock, 0.262 ID x 0.469 in. OD	2		2	2	2	2
7	X-22-12	Washer, lock, 0.262 ID 0.743 in. OD	2	2	2	2	2	2
8	X-22-20	Washer, lock, 0.172 ID x 0.373 in. OD	8	8	8	8	8	8
9	X-67-64	Screw, self-tapping	6	6	6	6	6	6
10	X-6210-4	Nut, flange whiz, 8-32	8	8	8	8	8	8
11	GM28678	Connector, weathertight	1	1	1	1	1	1
12	320711	Connector, 9-position	1	1	1	1	1	1
13	GM29998	Connector, 6-position, blk, male	1	1	1	1	1	1
14	358337	Fuse, 10 A, 250 V	1	1			1	1
14	223316	Fuse, 10 A, 250 V	2	2			2	2
15	229989	Connector, receptacle	1	1	1	1	1	1
16	233959	Diode, 6 A	4	4	4	4	4	4
17	GM15493	Connector, weathertight, 3-position	1	1	1	1	1	1
18	292370	Connector, plug, 2-position	1	1	1	1	1	1
19	GM29249	Connector	1	1	1	1	1	1
20	GM49746	Relay, 12 V			1	1	1	
20	GM49747	Relay, 24 V	1	1				1
21	200705	Grommet, round	1	1	1	1	1	1
22	223316	Fuse, 10 A, 250 V			2	2		
23	238426	Fuse holder, 0.25 x 1.25 in.			3	3		
24	358337	Fuse, 10 A, 250 V			1	1		
25	M7985A-05012-20	Screw, pan head machine	1	1	1	1	1	1
26	M934-05-50	Nut, hex, 5 mm	1	1	1	1	1	1
27	X-81-8	Nut, hex, 1/4-20	1	1	1	1	1	1

Group 701: Literature

Item	Part Number	Description	Quantity			
			Variation Number			
			44	69	71	72
1	TP-6691	Warranty, Marine (32 kW & below)	1	1	1	1
2	TP-5620	Safety Precautions, Marine	1	1	1	1
3	TP-6252	O/M 8-32EOZD/6.5-27EFOZD, Marine	1	1		
3	TP-6710	O/M 9-32EOZD, Marine			1	1
4	TP-6253	I/M EOZ/EFOZ/EOZD/EFOZD Models, Marine	1	1		
4	TP-6711	I/M 9-32EOZD, Marine			1	1
5	TP-6255	S/M 8-32EOZD/6.5-27EFOZD, Marine	1	1	1	1
6	TP-6270	P/C 9/10EOZD, 7/8.5/9EFOZD Marine	1	1	1	1
7	TP-6412	O/M Yanmar TNV Series	1	1		
7	TP-6702	O/M Yanmar 0ATNV			1	1
8	TP-6293	S/M Yanmar TNV Series, Marine	1			
8	TP-6382	S/M Yanmar 2TNV/3TNV		1		
8	TP-6703	S/M Yanmar 0BTNV			1	1
9	TP-6666	I/M Low Sulfur Fuel Lbl Instr, Yanmar		1	1	1

Paint and Miscellaneous Parts

Item	Part Number	Description
1	221334	White paint, gallon can (Chris Craft White)
1	221335	White paint, spray can (Chris Craft White)
1	GM48126	White paint, spray can (Matterhorn White)

The change from Chris Craft to Matterhorn White was made in production on 1/1/2006; the serial break is #2082007.

Parts List: Accessories

Qty.	Description	Part No.
------	-------------	----------

Circuit Breakers

Circuit Breaker Kit GM30331-KA(KP)8

1	Terminal, jumper	249956
1	Plate, circuit breaker	GM30022
4	Screw, pan head, 6-32 x 3/16 in.	X-49-21
1	Circuit breaker, 42 A, 250 V, 2-pole	X-506-43
1	Installation Instructions	TT-1394

Circuit Breaker Kit GM30331-KA(KP)9

1	Plate, circuit breaker	GM30022
4	Screw, pan head, 6-32 x 3/16 in.	X-49-21
1	Circuit breaker, 42 A, 250 V, 2-pole	X-506-43
1	Installation Instructions	TT-1394

Circuit Breaker Kit GM30331-KA(KP)10

1	Plate, cover	229183
1	Plate, circuit breaker	GM30022
2	Screw, pan head, 6-32 x 3/16 in.	X-49-21
2	Screw, pan head, 6-32 x 1/4 in.	X-49-25
1	Circuit breaker, 42 A, 250 V, 1-pole	X-506-60
2	Nut, flange whiz, 6-32	X-6210-3
1	Installation Instructions	TT-1394

Circuit Breaker Kit GM30331-KA(KP)11

1	Plate, cover	229183
1	Plate, circuit breaker	GM30022
2	Screw, pan head, 6-32 x 3/16 in.	X-49-21
2	Screw, pan head, 6-32 x 1/4 in.	X-49-25
1	Circuit breaker	X-506-69
2	Nut, flange whiz, 6-32	X-6210-3
1	Installation Instructions	TT-1394

Circuit Breaker Kit GM30331-KA(KP)45

3	Boot	238915
1	Plate, circuit breaker	GM30024
6	Screw, pan head, 6-32 x 3/16 in.	X-49-21
1	Circuit breaker, 20 A, 600 V, 3-pole	269251
1	Installation Instructions	TT-1395

Circuit Breaker Kit GM30331-KA(KP)55

3	Boot	238915
1	Decal, notice	246242
1	Plate, circuit breaker	GM37377
6	Screw, pan head, 6-32 x 3/16 in.	X-49-21
1	Circuit breaker, 30 A, 480 V, 3-pole	X-506-66
1	Installation Instructions	TT-1395

Circuit Breaker Kit GM30331-KA(KP)56

3	Boot	238915
1	Decal, notice	246242
1	Plate, circuit breaker	GM37377
6	Screw, pan head, 6-32 x 3/16 in.	X-49-21
1	Circuit breaker, 35 A, 480 V, 3-pole	X-506-67
1	Installation Instructions	TT-1395

Circuit Breaker Kit GM46334-KA(KP)1

1	Decal, notice	246242
1	Decal, fuse panel	GM45906
1	Plate, circuit breaker	GM46205
1	Bracket, fuse holder	GM46332
1	Guard, breaker	GM57952
4	Screw, Machine	X-49-2
1	Circuit breaker, 42 A, 250 V, 2-pole	X-506-43

Qty.	Description	Part No.
------	-------------	----------

Circuit Breaker Kit GM46334-KA(KP)2

1	Decal, notice	246242
1	Terminal, jumper	249956
1	Decal, fuse panel	GM45906
1	Plate, circuit breaker	GM46205
1	Bracket, fuse holder	GM46332
1	Guard, breaker	GM57952
4	Screw, Machine	X-49-2
1	Circuit breaker, 42 A, 250 V, 2-pole	X-506-43

Circuit Breaker Kit GM46334-KA(KP)3

1	Plate, cover	229183
1	Decal, notice	246242
1	Decal, fuse panel	GM45906
1	Plate, circuit breaker	GM46205
1	Bracket, fuse holder	GM46332
1	Guard, breaker	GM57952
4	Screw, Machine	X-49-2
1	Circuit breaker, 80 A, 250 V, 1-pole	X-506-52

Circuit Breaker Kit GM46334-KA(KP)4

1	Plate, cover	229183
1	Decal, notice	246242
1	Decal, fuse panel	GM45906
1	Plate, circuit breaker	GM46205
1	Bracket, fuse holder	GM46332
1	Guard, breaker	GM57952
4	Screw, Machine	X-49-2
1	Circuit breaker, 35 A, 250 V, 1-pole	X-506-46

Circuit Breaker Kit GM46334-KA(KP)5

1	Decal, notice	246242
1	Decal, fuse panel	GM45906
1	Plate, circuit breaker	GM46205
1	Bracket, fuse holder	GM46332
1	Guard, breaker	GM57952
4	Screw, Machine	X-49-2
1	Circuit breaker, 33 A, 250 V, 2-pole	X-506-39

Circuit Breaker Kit GM46334-KA(KP)9

1	Decal, notice	246242
1	Terminal, jumper	249956
1	Decal, fuse panel	GM45906
1	Plate, circuit breaker	GM46205
1	Bracket, fuse holder	GM46332
1	Guard, breaker	GM57952
4	Screw, Machine	X-49-2
1	Circuit breaker, 30 A, 250 V, 2-pole	X-506-36

Electrical System

Harness, 12 in., Pigtail GM32332-KP1

1	Harness, pigtail	GM32324
---	------------------	---------

Harness, 15 in., Remote Panel GM32333-KP1

1	Harness, extension	GM30248
---	--------------------	---------

Harness, 25 in., Remote Panel GM32333-KP2

1	Harness, extension	GM32323
---	--------------------	---------

Harness, 100 ft. Remote Panel GM32333-KP4

1	Harness, extension	GM47391
---	--------------------	---------

Harness, Y-Connection GM32333-KP5

1	Harness, Y remote gauge	GM49054
---	-------------------------	---------

Harness, Y-Connection GM32333-KP6

1	Harness, Y remote gauge	GM62759
---	-------------------------	---------

Parts List: Accessories

Qty.	Description	Part No.
Isolated Ground System GM31865-KA(KP)1		
1	Adapter, sender	229323
1	Grommet	200705
1	Starter relay, 12 VDC	GM49746
1	Sensor, pressure	GM70917-1
1	Solenoid	GM30412
1	Harness, Engine 9 EOZD Yanmar	GM55382
1	Bus, isolated ground	GM31868
1	Alternator, battery charging	GM31919
1	Transformer, High Impedence Iso.	GM51484
1	Tag, hang battery negative	GM35413
1	Bracket, support	GM33029
1	Spacer,.406 ID x .625 OD x .297 in.	X-400-75
1	Cable, battery	X-545-161
1	Cable, battery (black)	X-545-178
2	Stud (metric)	X-6054-23
1	Insulator, standoff	X-6128-35
1	Installation Instructions	TT-1407

Qty.	Description	Part No.
Isolated Ground System GM31865-KA(KP)2		
1	Grommet	200705
1	Adapter, sender	229323
1	Relay	GM49747
1	Sensor, pressure	GM70917-1
1	Transformer, High Impedence Iso.	GM51484
1	Switch, high temp. cutout	GM29289
1	Bus, isolated ground	GM31868
1	Alternator, battery charging	GM31920
1	Bracket, support	GM33029
1	Tag, hang battery negative	GM35413
1	Solenoid	GM30413
1	Harness, Engine 9 EOZD Yanmar	GM55382
4	Spacer	X-400-127
1	Spacer,.406 ID x .625 OD x .297 in.	X-400-75
1	Cable, battery	X-545-161
1	Cable, battery (black)	X-545-178
2	Stud (metric)	X-6054-23
5	Insulator, standoff	X-6128-35
1	Installation Instructions	TT-1407

Qty.	Description	Part No.
Isolated Ground System GM31865-KA(KP)3		
1	Grommet	200705
1	Adapter, sender	229323
1	Sensor, pressure	GM70917-1
1	Switch, high temp. cutout	GM29289
1	Bus, isolated ground	GM31868
1	Alternator, battery charging	GM31919
1	Bracket, support	GM33029
1	Relay, 12 VDC	GM49746
1	Transformer, High Impedence Iso.	GM51484
1	Solenoid	GM52584
1	Harness, Engine 9 EOZD Yanmar	GM55382
4	Spacer	X-400-127
1	Spacer,.406 ID x .625 OD x .297 in.	X-400-75
1	Cable, battery	X-545-161
1	Cable, battery (black)	X-545-178
1	Cable, battery (black)	X-545-179
2	Stud (metric)	X-6054-23
5	Insulator, standoff	X-6128-35
1	Installation Instructions	TT-1407

Qty.	Description	Part No.
Isolated Ground System GM31865-KA(KP)4		
1	Grommet	200705
1	Adapter, sender	229323
1	Sensor, pressure	GM70917-1
1	Switch, high temp. cutout	GM29289
1	Solenoid	GM30413
1	Bus, isolated ground	GM31868
1	Alternator, battery charging	GM31920
1	Bracket, support	GM33029
1	Relay	GM49747
1	Harness, Engine 9 EOZD Yanmar	GM55382
1	Transformer, High Impedence Iso.	GM51484
4	Spacer,	X-400-127
1	Spacer,.406 ID x .625 OD x .297 in.	X-400-75
1	Cable, battery	X-545-161
1	Cable, battery (black)	X-545-178
1	Cable, battery (black)	X-545-179
2	Stud (metric)	X-6054-23
5	Insulator, standoff	X-6128-35
1	Installation Instructions	TT-1407

Qty.	Description	Part No.
Isolated Ground System GM31865-KA(KP)5		
1	Grommet	200705
1	Adapter, sender	229323
1	Sensor, pressure	GM70917-1
1	Switch, high temp. cutout	GM29289
1	Bus, isolated ground	GM31868
1	Alternator, battery charging	GM31919
1	Tag, hang battery negative	GM35413
1	Relay, 12 VDC	GM49746
1	Transformer, High Impedence Iso.	GM51484
1	Bracket, support	GM33029
1	Harness, Engine 9 EOZD Yanmar	GM52956
1	Spacer,.406 ID x .625 OD x .297 in.	X-400-75
1	Cable, battery	X-545-161
1	Cable, battery (black)	X-545-178
2	Stud (metric)	X-6054-23
6	Insulator, standoff	X-6128-35

Qty.	Description	Part No.
Isolated Ground System, Sound Shield GM31865-KA(KP)6		
1	Grommet	200705
1	Adapter, sender	229323
1	Sensor, pressure	GM70917-1
1	Switch, high temp. cutout	GM29289
1	Bus, isolated ground	GM31868
1	Alternator, battery charging	GM31919
1	Bracket, support	GM33029
1	Relay, 12 VDC	GM49746
1	Transformer, High Impedence Iso.	GM51484
1	Relay, cranking 12V	GM52584
1	Harness, engine 9 EOZD Yanmar	GM52956
1	Spacer	X-400-127
1	Spacer,.406 ID x .625 OD x .297 in.	X-400-75
1	Cable, battery	X-545-161
1	Cable, battery (black)	X-545-178
1	Cable, battery (black)	X-545-179
2	Stud (metric)	X-6054-23
5	Insulator, standoff	X-6128-35

Qty.	Description	Part No.
Isolated Standoff GM38314-KA1		
2	Nut, hex, 6mm	M934-06-60
2	Stud (metric)	X-6054-23
1	Insulator, standoff	X-6128-35

Qty.	Description	Part No.
Oil Pressure Sender GM32112-KA(KP)1		
1	Adapter, sender	229323
1	Sensor, pressure	GM70917-1
1	Installation Instructions	TT-1438

Parts List: Accessories, continued

Qty.	Description	Part No.
Oil Press. and Water Temp. Sender GM24405-KA1		
1	Adapter, sender	225307
1	Sender, water temperature	249287
1	Fitting, 45 deg. street elbow	267428
1	Sender, oil pressure	343473

Preheat Kit, 12 Volt GM32117-KA(KP)1		
1	Wiring harness	229233
1	Relay	233442
1	Boot	238915
1	Washer, lock, 0.262 ID x 0.743 in. OD	X-22-12
1	Installation Instructions	TT-1397

Preheat Kit, 12 Volt GM32117-KA(KP)2		
1	Wiring harness	229233
1	Relay	233442
1	Boot	238915
2	Gasket, air heater	344904
1	Heater, air	344903
1	Bracket, mounting	GM32427
1	Washer, lock, 0.262 ID x 0.743 in. OD	X-22-12
1	Installation Instructions	TT-1397

Preheat Kit, 12 Volt GM32117-KA(KP)3		
1	Wiring harness	229233
1	Boot	238915
1	Solenoid	344741
3	Gasket, air heater	344904
2	Heater, air	344903
1	Bracket, mounting	GM32427
1	Washer, lock, 0.262 ID x 0.743 in. OD	X-22-12
1	Installation Instructions	TT-1397

Preheat Kit, 12 Volt GM32117-KA(KP)10		
1	Wiring harness	229233
1	Relay, 12VDC	233442
2	Boot	238915
2	Mount, controller	241769
1	Bracket, fuel pump	GM38779
1	Installation Instructions	TT-1397

Remote Digital Gauge GM32337-KP1		
1	Decal, warning	249494
1	Gauge, digital	GM30565
1	Harness, remote	GM32325
1	Installation Instructions	TT-1379
1	Installation Instructions	TT-1364

Remote Start Panel GM32335-KP1		
1	Decal, warning	249494
1	Installation instructions	TT-1378
1	Panel assembly, control (includes *)	GM33848-1
1	*Meter, runtime	238736
1	*Panel, control	GM33847
1	*Switch, rocker	GM33849
1	*Harness, wiring	GM33851
2	*Screw, pan head, M3 x 12	M7985A-03012-20
2	*Nut, hex, 3 mm	M934-03-50
2	*Washer, lock, 0.146 ID x 0.285 in. OD	X-22-6

Remote Digital Gauge, 3" Smartcraft GM46035-KP1		
1	Decal, warning	249494
1	Gauge, Digital	GM45905
1	Harness, Smartcraft	GM46123
1	Diagram, Accessory Interconnection	GM47635
1	TT ADC 2100 Controller Replacement	TT-1364
1	TT Digital Gauge, 5/7.3ECD & 4/6EFC	TT-1429

Qty.	Description	Part No.
Remote Digital Gauge GM32337-KP1		
1	Decal, warning	249494
1	Gauge, digital	GM30565
1	Harness, remote	GM32325
1	Installation Instructions	TT-1364
1	Installation Instructions	TT-1379

Remote Digital Gauge, 2" Smartcraft GM50822-KP1		
1	Decal, warning	249494
1	Diagram, Accessory Interconnection	GM47635
1	Gauge, Digital CAN 2 Inch	GM50577
1	Harness, Remote Digital CAN Gauge	GM50821
1	TT ADC 2100 Controller Replacement	TT-1364
1	TT 2" Digital Gauge ECD/EGD/EGZD	TT-1450

Remote Digital Gauge, 2" Smartcraft GM50822-KP2		
1	Decal, warning	249494
1	Diagram, Accessory Interconnection	GM47635
1	Gauge, Digital CAN 2 Inch	GM50577
1	TT ADC 2100 Controller Replacement	TT-1364
1	TT 2" Digital Gauge ECD/EGD/EGZD	TT-1450

Remote Start Panel GM32335-KP2		
1	Decal, warning	249494
1	Installation instructions	TT-1378
1	Panel assembly, control (includes *)	GM33848-2
1	*Meter, runtime	238736
1	*Panel, control	GM33847
1	*Switch, rocker	GM33850
1	*Harness, wiring	GM33851
2	*Screw, pan head, M3 x 12	M7985A-03012-20
2	*Nut, hex, 3 mm	M934-03-50
2	*Washer, lock, 0.146 ID x 0.285 in. OD	X-22-6

Ship to Shore Switch PAA-246617		
1	Switch, transfer, 3-pole	A-246617
1	Installation Instructions	TT-535

High Impedance ACDC Isolation GM51494-KP1		
1	Transformer, High Impedance Iso.	GM51484
1	TT Isolation Transformer, Marine	TT-1465
4	Washer, lock, 172 ID x .333 in. OD	X-22-7
4	Spacer, .209 ID x .375 OD x .406 in.	X-400-127
4	Screw, Machine	X-49-5
4	Nut, hex machine screw, 6-32	X-71-2

Miscellaneous Accessories

ABYC Conversion, 9EOZD GM41041-KA(KP)1		
1	Filter assembly, fuel/water separator	GM41013
1	Element, water separator	GM41014
1	Bracket, fuel/water separator	GM41018
1	Decal, notice	GM50378
2	Connector, hose + vibra seal	X-380-4
2	Connector, 90 deg., 5/16 in. ID hose	X-391-25
1	Elbow, street, 90 deg. x 1/4 in. NPTF	X-555-1
2	Line, flex fuel	X-6251-3
1	Line, flex fuel	X-6251-8

Parts List: Accessories, continued

Qty.	Description	Part No.
ABYC Conversion, 10EOZD GM41041-KA(KP)2		
1	Filter assembly, fuel/water separator	GM41013
1	Element, water separator	GM41014
1	Bracket, fuel/water separator	GM41054
1	Bracket, water bottle	GM41055
1	Decal, notice	GM50378
2	Connector, hose + vibra seal	X-380-4
2	Connector, 90 deg., 5/16 in. ID hose	X-391-25
1	Elbow, street, 90 deg. x 1/4 in. NPTF	X-555-1
2	Line, flex fuel	X-6251-12
1	Line, flex fuel	X-6251-13
1	Line, flex fuel	X-6251-7

Fuel/Water Separator GM31994-KP1		
1	Filter assembly, fuel/water separator	GM32181
1	Element, water separator	GM32182
1	Installation Instructions	TT-1375

Fuel Attachment Block GM33129-KA(KP)1		
1	Fuel block	229835
1	Connector, hose	X-380-4
1	Fuel line, flexible	X-6251-12
1	Fuel line, flexible	X-6251-9
2	Connector, 90 deg., 5/16 in. ID hose	X-391-25
2	Spacer, 0.357 ID x 0.625 OD x 0.656in.	X-400-100
6	Clamp, hose, 0.38/0.88 in.	X-426-18

Keel Cooling Conversion GM32201-KA(KP)2		
1	Gasket, exhaust	249905
1	Flange, exhaust outlet	254692

Keel Cooling Conversion GM32201-KA(KP)6		
1	Gasket, exhaust	249905
1	Flange, exhaust outlet	254692
1	Guard, belt	GM38783

Keel Cooling Conversion GM64291-KA(KP)1		
1	Gasket, exhaust	249905
1	Flange, exhaust outlet	254692
1	Guard, belt	GM38783

Keel Cooling Conversion GM64624-KA(KP)1		
1	Gasket, exhaust	249905
1	Flange, exhaust outlet	254692

Siphon Break PA-229928		
1	Installation Instructions	TT-1268
1	Valve, siphon break (includes *)	GM32985
1	*Valve, duct	328666
1	*Cap, siphon valve	GM32984
1	*Loop, siphon valve loop	GM32988

Siphon Break GM24866-KA1		
1	Tubing, clear flexible plastic	GM34883
1	Clamp, hose, .25/.70	X-426-9
1	Valve, siphon break (includes *)	GM32985
1	*Valve, duct	328666
1	*Cap, siphon valve	GM32984
1	*Loop, siphon valve loop	GM32988

Tray, Stainless Steel GM42297-KA(KP)1		
1	Tray, drip	GM38793

Tray, Stainless Steel GM49018-KA(KP)4		
1	Tray, drip	GM40846

Qty.	Description	Part No.
Sound Shield		
Siphon Break Hose Connection GM32339-KA(KP)1		
2	Coupling, hose	344934
2	Grommet, round	X-284-42
1	Hose, .63 ID	X-312-16
2	Clamp, hose, .56/1.06 in.	X-426-3
1	Clamp, hose, .25/.70 in.	X-426-9
1	Tubing, Clear Flexible Plastic	GM34883
1	Valve, siphon break	GM32985
1	Valve, duct	328666
1	Cap, siphon valve	GM32984
1	Loop, siphon valve vent	GM32988
1	Installation Instructions	TT-1390

Siphon Break Hose Connection GM32339-KA(KP)2		
2	Coupling, hose	344934
2	Grommet, round	X-284-42
1	Hose, .63 ID	X-312-34
2	Clamp, hose, .56/1.06 in.	X-426-3
1	Clamp, hose, .25/.70 in.	X-426-9
1	Tubing, Clear Flexible Plastic	GM34883
1	Valve, siphon break	GM32985
1	Valve, duct	328666
1	Cap, siphon valve	GM32984
1	Loop, siphon valve vent	GM32988
1	Installation Instructions	TT-1390

Parts List: Accessories, continued

Qty.	Description	Part No.
Sound Shield GM30508-KA(KP)1		
1	Installation instructions	TT-1382
8	Washer, 0.281 x 0.625 x 0.065	X-25-142
4	Washer, plain, 0.406 x 0.812 x 0.065	X-25-37
8	Clamp, hose, 2.75/1.81	X-426-16
2	Clamp, hose, 1.06/0.56	X-426-3
4	Screw, hex cap, 1/4-20	X-465-24
4	Screw, hardened, 3/8-16 x 0.62	X-6238-3
2	Hose, 2.0 in. ID x 6.0 in.	GM10073
1	Tube, exhaust, 2 in. OD	229889
4	Connector, outside	GM15486
1	Base, 22.75 x 36.75 in.	GM31925
1	Extruded rail, 21.22 in.	GM30386
2	Extruded rail, 28.38 in.	GM29318
3	Extruded rail, 21.22 in.	GM30385
2	Extruded rail, 17.25 in.	344686
1	Tube, exhaust, 2 in. OD	344694
1	Door, engine end, 18.58 x 17.54 in.	GM34544
1	Door, generator end, 18.58 x 17.54 in.	GM34600
1	Door, left hand nonservice side, 21.32 x 22 in.	GM34596
1	Door, right hand service side, 21.32 x 22 in.	GM34513
1	Panel, junction box, 15.4 x 14.4 in.	GM34617
1	Panel, nonservice side, 8.9 x 22 in.	GM34571
1	Panel ADC, service side, 8.9 x 22 in.	GM34554
1	Roof, 30.3 x 18.6 in.	GM34564
1	Rail, engine end, 18.75 x 4.5 in.	GM34579
1	Bulkhead panel, generator end rail, 18.75 x 4.5 in.	GM34585
24	Screw, drill, #8 stainless steel	X-794-5
2	Retainer, stainless steel, 0.485 in.	GM29918
2	Stud, wing head	GM29920
5	Washer, plain, #6 screw size	M125A-06-80
5	Screw, hex cap, M6 x 16 mm	M933-06016-60
8	Washer, plain, 0.219 ID x 0.5 OD	X-25-36
1	Hose, seawater pump, 0.63 ID x 40 in.	X-312-13
1	Fuel return line, flex., 44 in.	X-6251-14
1	Fuel inlet line, flex., 22 in.	X-6251-9
5	Clamp, hose, 0.38/0.88 in.	X-426-18
4	Bolt, hex cap, 1/4-20 x 0.875	X-465-22
8	Screw, pan head, 10-24 x 1/2	X-50-15
1	Cable, battery, red, (+) to starter	X-545-177
1	Cable, battery, black (-) to ground connection on engine block	X-545-176
2	Washer, nylon, 0.296 ID x 0.516 OD	X-6278-15
2	Seal, push-on trim, 5.81 in.	X-6422-14
2	Seal, push-on trim, 3.19 in.	X-6422-17
1	Connector, hose, 1/4 NPT	X-380-4
1	Hose, oil drain 0.375 ID/0.625 OD x 30 in.	X-651-5
1	Washer, lock, 3/8 in. thread size	X-22-14
1	Nut, hex, 10 mm	M6923-10-80
1	Washer, plain, #10 screw size	M125A-10-80
1	Washer, lock, 1/4 in. thread size	X-22-12
1	Panel, ADC, 8.4 x 4.4 in.	GM30251
1	Bushing, nylon, 0.672 ID	X-634-25
2	Frame, circuit breaker, 5.8 x 2.3 in.	GM29899
3	Foam, insulation acoustic	359584
1	U-channel, 15 in.	X-6047-7
1	Clamp	X-672-21

Qty.	Description	Part No.
Sound Shield GM38536-KA(KP)1		
3	Foam, acoustic insulation (Yanmar)	359584
4	Connector, outside corner	GM15486
1	Battery lug	GM20744
2	Frame, circuit breaker	GM29899
2	Retainer	GM29918
2	Stud, wing head	GM29920
1	Panel, sound shield ADC lead	GM30251
1	Hose, radiator	GM32052
1	Rail subassembly sound shield, front	GM34508
1	Base, sound shield	GM38539
3	Rail, sound shield	GM38540
1	Rail, sound shield	GM38541
2	Rail, sound shield	GM38542
1	Door subassembly, sound shield, front	GM38546
1	Door subassembly, sound shield, right hand	GM38547
1	Door subassembly, sound shield, left hand	GM38548
1	Door subassembly, sound shield, rear	GM38549
1	Tube, exhaust	GM38562
1	Panel subassembly, bulkhead connection	GM38563
1	Panel subassembly, sound shield exhaust	GM38568
2	Rail, sound shield	GM38578
1	Panel, subassembly, sound shield, right hand	GM38581
1	Panel subassembly, sound shield, left hand	GM38584
1	Roof, subassembly, sound shield	GM38589
1	Panel, junction box	GM38603
1	Panel, junction box	GM42453
5	Washer, plain	M125A-06-80
1	Washer, plain	M125A-10-80
5	Screw, hex cap	M933-06016-60
1	Screw, hex cap	M933-10020-60
2	Washer, lock, 0.262 ID x 0.743 in. OD	X-22-12
1	Washer, lock, 0.391 ID x 0.975 in. OD	X-22-14
9	Washer, plain, 0.281 ID x 0.625 in. OD	X-25-142
8	Washer, plain, 0.219 ID x 0.5 in. OD	X-25-36
4	Washer, plain, 0.406 ID x 0.812 in. OD	X-25-37
1	Hose, 0.63 ID	X-312-51
1	Connector, hose + vibra seal	X-380-4
1	Fuel line, flexible 22 in.	X-6251-9
1	Fuel line, flexible 44 in.	X-6251-14
4	Clamp, hose, 1.81/2.75 in.	X-426-16
2	Clamp, hose, 0.56/1.06 in.	X-426-3
5	Clamp, hose, 0.38/0.88 in.	X-426-18
4	Bolt, hex cap	X-465-22
5	Bolt, hex cap	X-465-24
8	Screw, pan head, 10-24 x 1/2	X-50-15
1	Cable, battery	X-545-175
1	Cable, battery, black	X-545-193
1	Conduit, convoluted	X-6003-26
1	Conduit, convoluted	X-6003-27
1	Conduit, convoluted	X-6003-32
1	Conduit, convoluted	X-6003-14
1	Conduit, convoluted	X-6003-48
1	Conduit, convoluted	X-6003-105
1	Channel, U	X-6047-27
2	U-channel	X-6047-45
4	Bolt, hex cap	X-6238-3
2	Washer, nylon	X-6278-15
1	Bushing, 0.672 x 0.875 in. NPT	X-634-25
2	Seal, push-on trim	X-6422-14
2	Seal, push-on trim	X-6422-17
1	Hose, rubber, straight, 0.375 in. ID	X-651-15
24	Screw, drill #8 stainless steel	X-794-5

Parts List: Accessories, continued

Qty.	Description	Part No.
Sound Shield GM58981-KA(KP)1		
1	Installation instructions	TT-1512
4	Washer, fiber (0.25 ID x 0.71 in. OD)	222889
1	Decal, danger	294520
3	Foam, insulation acoustic	359584
4	Connector, outside corner	GM15486
2	Frame, circuit breaker (5.8 x 2.3 in.)	GM29899
2	Retainer, stainless steel (0.485 in.)	GM29918
2	Stud, wing head	GM29920
1	Hose (2.0 in. ID x 5.0 in.)	GM32052
1	Base (35.5 x 22.3 in.)	GM38539
3	Extruded rail (18.35 in.)	GM38540
1	Extruded rail (18.35 in.)	GM38541
1	Tube, exhaust (2 in. OD x 12.24 in.)	GM38562
1	Panel, junction box (7.9 x 14 in.)	GM42453
1	Extruded rail (27.1 in.)	GM60373
1	Extruded rail (16.8 in.)	GM60374
1	Panel, junction box, with louvers (7 x 14 in.)	GM66374
1	Panel, ADC (8.4 x 4.4 in.)	GM66527
1	Door, R.H. service side (19.4 x 19.2 in.)	GM78111
1	Door, generator end (14 x 14.7 in.)	GM78112
1	Panel ADC, service side (19.2 x 9.7 in.)	GM78113
1	Extruded rail, w/ inserts (27.1 in.)	GM78340
1	Extruded rail, w/ inserts (16.8 in.)	GM78341
1	Door, engine end (18.1 x 14.7 in.)	GM78671
1	Panel, nonservice side (19.15 x 8.9 in.)	GM78672
1	Door, L.H. nonservice side (20.1 x 19.5 in.)	GM78673
1	Rail, engine end (18.3 x 4.5 in.)	GM78674
1	Exhaust panel (4.1 x 14.7 in.)	GM78675
1	Roof (29.1 x 18 in.)	GM78676
1	Bulkhead panel, generator end rail (18.3 x 4.5 in.)	GM78677
4	Washer, plain (#6 screw size)	M125A-06-80
1	Washer, plain (#10 screw size)	M125A-10-80
4	Screw, hex cap (M6 x 16 mm)	M933-06016-60
1	Screw, hex cap (M10 x 20 mm)	M933-10020-60
1	Washer, lock (0.391 ID x 0.975 in OD)	X-22-14
8	Washer, plain (0.203 ID x 0.438 in. OD)	X-25-115
7	Washer, plain (0.281 x 0.625 x 0.065)	X-25-142
4	Washer, plain (0.406 ID x 0.812 in. OD x 0.065)	X-25-37
1	Hose, seawater pump (0.63 ID x 31.5 in.)	X-312-15
1	Connector, hose (1/4 NPT)	X-380-4
4	Clamp, hose (2.75/1.81 in.)	X-426-16
2	Clamp, hose (1.06/0.56 in.)	X-426-3
5	Clamp, hose (0.38/0.88 in.)	X-426-18
4	Bolt, hex cap (1/4-20 x 0.875)	X-465-22
3	Screw, hex cap (1/4-20)	X-465-24
8	Screw, pan head (10-24 x 1/2)	X-50-15
1	Cable, battery, red (+) to starter (26 in.)	X-545-175
1	Cable, battery, black (-) (31 in.)	X-545-193
1	Conduit, convoluted (30 in.)	X-6003-14
1	Conduit, convoluted (32 in.)	X-6003-26
1	Conduit, convoluted (24 in.)	X-6003-27
1	Conduit, convoluted (34 in.)	X-6003-32
1	Conduit, convoluted (29 in.)	X-6003-48
1	Conduit, convoluted (22 in.)	X-6003-105
1	U-channel (7.5 in.)	X-6047-27
2	U-channel (4.5 in.)	X-6047-45
4	Screw, hardened (3/8-16 x 0.62)	X-6238-3
1	Fuel inlet line, flex. (22 in.)	X-6251-9
1	Fuel return line, flex. (36 in.)	X-6251-18
2	Washer, nylon (0.296 ID x 0.516 in. OD)	X-6278-15
1	Bushing, nylon (0.672 ID x 0.875 in. NPT)	X-634-25
2	Seal, push-on trim (5.81 in.)	X-6422-14
2	Seal, push-on trim (3.19 in.)	X-6422-17
1	Hose, oil drain (0.375 ID/0.625 in. OD x 34 in.)	X-651-15
4	Screw (1/4-20 x 2 in.)	X-73-33
24	Screw, drill (#8 stainless steel)	X-794-5


Qty.	Description	Part No.
Sound Shield GM63566-KA1		
4	Washer, Fiber .25 ID x .71 in. OD	222889
1	Decal, negative battery conn.	226917
1	Coupling, bulkhead pipe	229270
1	Decal, pos. battery connection	238162
3	Decal, warning rotating parts	249808
1	Decal, danger, high voltage	294520
1	Decal, caution-not a step	343165
1	Decal, equipment grd	344295
23	Insert, threaded, 1/4-20 in.	344484
16	Pin, threaded (1/4-20 * 1.18")	345283
1	Decal, warning	345331
8	Insert, threaded, #10-24	346258
1	Decal, fuel inlet	359278
1	Decal, Fuel Return	359279
3	Foam, acoustic insulation (Yanmar)	359584
1	Decal, Warning Fire Port	GM10148
4	Connector, Outside Corner	GM15486
1	Duct, Air Outlet	GM25958
2	Frame, Circuit Breaker	GM29899
2	Retainer	GM29918
2	Clip, Speed	GM29919
2	Stud, Wing Head	GM29920
2	Seal, Dampening	GM29921
3	Latch	GM29980
1	Duct, Air Outlet	GM30019
1	Hose, Radiator	GM32052
1	Rail, Sound Shield (Front)	GM32183
1	Block, Junction	GM33684
1	Barrier, Battery Terminal	GM33828
1	Base, Sound Shield	GM38539
3	Rail, Sound Shield	GM38540
1	Rail, Sound Shield	GM38541
1	Door, Sound Shield (Front)	GM38550
1	Door, Sound Shield (LH)	GM38552
1	Tube, Exhaust	GM38562
1	Panel, Bulkhead Connection	GM38564
1	Panel, Rear Exhaust	GM38566
1	Panel Sound Shield (LH)	GM38582
1	Roof, Sound Shield	GM38590
1	Panel, Junction Box	GM42453
1	Block, Junction	GM47785
1	Decal, Caution	GM58699
1	Foam Kit, Sound Shield	GM58984
1	Door, Sound Shield (Rear)	GM60370
1	Duct, Air Inlet	GM60371
2	Rail, Sound Shield	GM60373
2	Rail, Sound Shield	GM60374
1	Decal, Drain	GM62794
1	Baffle, Air Intake Duct	GM63509
1	Panel, Junction Box	GM66374
1	Panel, Sound Shield (RH)	GM66522
1	Door, Sound Shield (RH)	GM66523
1	Duct, Air Intake	GM66525
1	Duct, Air Intake	GM66526
1	Panel, Sound Shield ADC Lead	GM66527
1	Lead	LK-0620-1515
1	Grommet, Round	X-284-32
2	Button, Plug	X-301-35
1	Hose, .63 in. ID	X-312-15
1	Connector, hose + Vibra Seal	X-380-4
2	Clamp, hose, .69/1.25 in.	X-426-12
4	Clamp, hose, 1.81/2.75 in.	X-426-16
5	Clamp, hose, .25/.70 in.	X-426-9
1	Cable, Battery	X-545-175
1	Cable, Battery (Black)	X-545-193
1	Connector, Hose 5/8" x 1/2" MIP Brass	X-582-1
2	Connector, Hose	X-582-39
1	Connector, hose + Vibra Seal	X-582-9

Parts List: Accessories, continued

Qty.	Description	Part No.
Sound Shield		GM30508-KA(KP)1
1	Conduit, convoluted	X-6003-105
1	Conduit, convoluted	X-6003-14
1	Conduit, convoluted	X-6003-26
1	Conduit, convoluted	X-6003-27
1	Conduit, convoluted	X-6003-32
1	Conduit, convoluted	X-6003-48
1	Channel, U	X-6047-11
1	Channel, U	X-6047-14
1	Channel, U	X-6047-27
1	Channel, U	X-6047-42
2	U-Channel	X-6047-45
1	Stud, Metric	X-6054-22
4	Clip, Speed	X-6220-3
1	Line, Flex Fuel	X-6251-18
1	Line, Flex Fuel	X-6251-9
1	Logo, Kohler	X-6275-1
2	Washer, Nylon	X-6278-15
2	Washer, Nylon	X-634-25
2	Seal, Push-On Trim	X-6422-14
2	Seal, Push-on Trim	X-6422-17
1	Hose, rubber, straight, .375 in. ID	X-651-15
3	Plug, pipe (3/8"nptf) white nylon	X-75-55

Appendix A Abbreviations

The following list contains abbreviations that may appear in this publication.

A, amp	ampere	cfh	cubic feet per hour	exh.	exhaust
ABDC	after bottom dead center	cfm	cubic feet per minute	ext.	external
AC	alternating current	CG	center of gravity	F	Fahrenheit, female
A/D	analog to digital	CID	cubic inch displacement	fglass.	fiberglass
ADC	analog to digital converter	CL	centerline	FHM	flat head machine (screw)
adj.	adjust, adjustment	cm	centimeter	fl. oz.	fluid ounce
ADV	advertising dimensional drawing	CMOS	complementary metal oxide substrate (semiconductor)	flex.	flexible
AHWT	anticipatory high water temperature	cogen.	cogeneration	freq.	frequency
AISI	American Iron and Steel Institute	com	communications (port)	FS	full scale
ALOP	anticipatory low oil pressure	coml	commercial	ft.	foot, feet
alt.	alternator	Coml/Rec	Commercial/Recreational	ft. lb.	foot pounds (torque)
Al	aluminum	conn.	connection	ft./min.	feet per minute
ANSI	American National Standards Institute (formerly American Standards Association, ASA)	cont.	continued	g	gram
AO	anticipatory only	CPVC	chlorinated polyvinyl chloride	ga.	gauge (meters, wire size)
API	American Petroleum Institute	crit.	critical	gal.	gallon
approx.	approximate, approximately	CRT	cathode ray tube	gen.	generator
AR	as required, as requested	CSA	Canadian Standards Association	genset	generator set
AS	as supplied, as stated, as suggested	CT	current transformer	GFI	ground fault interrupter
ASE	American Society of Engineers	Cu	copper	GND, 	ground
ASME	American Society of Mechanical Engineers	cu. in.	cubic inch	gov.	governor
assy.	assembly	cw.	clockwise	gph	gallons per hour
ASTM	American Society for Testing Materials	CWC	city water-cooled	gpm	gallons per minute
ATDC	after top dead center	cyl.	cylinder	gr.	grade, gross
ATS	automatic transfer switch	D/A	digital to analog	GRD	equipment ground
auto.	automatic	DAC	digital to analog converter	gr. wt.	gross weight
aux.	auxiliary	dB	decibel	H x W x D	height by width by depth
A/V	audiovisual	dBA	decibel (A weighted)	HC	hex cap
avg.	average	DC	direct current	HCHT	high cylinder head temperature
AVR	automatic voltage regulator	DCR	direct current resistance	HD	heavy duty
AWG	American Wire Gauge	deg., °	degree	HET	high exhaust temperature, high engine temperature
AWM	appliance wiring material	dept.	department	hex	hexagon
bat.	battery	dia.	diameter	Hg	mercury (element)
BBDC	before bottom dead center	DI/EO	dual inlet/end outlet	HH	hex head
BC	battery charger, battery charging	DIN	Deutsches Institut für Normung e. V. (also Deutsche Industrie Normenausschuss)	HHC	hex head cap
BCA	battery charging alternator	DIP	dual inline package	HP	horsepower
BCI	Battery Council International	DPDT	double-pole, double-throw	hr.	hour
BDC	before dead center	DPST	double-pole, single-throw	HS	heat shrink
BHP	brake horsepower	DS	disconnect switch	hsg.	housing
blk.	black (paint color), block (engine)	DVR	digital voltage regulator	HVAC	heating, ventilation, and air conditioning
blk. htr.	block heater	E, emer.	emergency (power source)	HWT	high water temperature
BMEP	brake mean effective pressure	EDI	electronic data interchange	Hz	hertz (cycles per second)
bps	bits per second	EFR	emergency frequency relay	IC	integrated circuit
br.	brass	e.g.	for example (<i>exempli gratia</i>)	ID	inside diameter, identification
BTDC	before top dead center	EG	electronic governor	IEC	International Electrotechnical Commission
Btu	British thermal unit	EGSA	Electrical Generating Systems Association	IEEE	Institute of Electrical and Electronics Engineers
Btu/min.	British thermal units per minute	EIA	Electronic Industries Association	IMS	improved motor starting
C	Celsius, centigrade	EI/EO	end inlet/end outlet	in.	inch
cal.	calorie	EMI	electromagnetic interference	in. H ₂ O	inches of water
CARB	California Air Resources Board	emiss.	emission	in. Hg	inches of mercury
CB	circuit breaker	eng.	engine	in. lb.	inch pounds
cc	cubic centimeter	EPA	Environmental Protection Agency	Inc.	incorporated
CCA	cold cranking amps	EPS	emergency power system	ind.	industrial
ccw.	counterclockwise	ER	emergency relay	int.	internal
CEC	Canadian Electrical Code	ES	engineering special, engineered special	int./ext.	internal/external
cert.	certificate, certification, certified	ESD	electrostatic discharge	I/O	input/output
		est.	estimated	IP	iron pipe
		E-Stop	emergency stop	ISO	International Organization for Standardization
		etc.	et cetera (and so forth)	J	joule
				JIS	Japanese Industry Standard
				k	kilo (1000)

K	kelvin	MTBO	mean time between overhauls	rly.	relay
kA	kiloampere	mtg.	mounting	rms	root mean square
KB	kilobyte (2 ¹⁰ bytes)	MW	megawatt	rnd.	round
kg	kilogram	mW	milliwatt	ROM	read only memory
kg/cm ²	kilograms per square centimeter	μF	microfarad	rot.	rotate, rotating
kgm	kilogram-meter	N, norm.	normal (power source)	rpm	revolutions per minute
kg/m ³	kilograms per cubic meter	NA	not available, not applicable	RS	right side
kHz	kilohertz	nat. gas	natural gas	RTV	room temperature vulcanization
kJ	kilojoule	NBS	National Bureau of Standards	SAE	Society of Automotive Engineers
km	kilometer	NC	normally closed	scfm	standard cubic feet per minute
kOhm, kΩ	kilo-ohm	NEC	National Electrical Code	SCR	silicon controlled rectifier
kPa	kilopascal	NEMA	National Electrical Manufacturers Association	s, sec.	second
kph	kilometers per hour	NFPA	National Fire Protection Association	SI	<i>Système international d'unités</i> , International System of Units
kV	kilovolt	Nm	newton meter	SI/EO	side in/end out
kVA	kilovolt ampere	NO	normally open	sil.	silencer
kVAR	kilovolt ampere reactive	no., nos.	number, numbers	SN	serial number
kW	kilowatt	NPS	National Pipe, Straight	SPDT	single-pole, double-throw
kWh	kilowatt-hour	NPSC	National Pipe, Straight-coupling	SPST	single-pole, single-throw
kWm	kilowatt mechanical	NPT	National Standard taper pipe thread per general use	spec.	specification(s)
L	liter	NPTF	National Pipe, Taper-Fine	sq.	square
LAN	local area network	NR	not required, normal relay	sq. cm	square centimeter
L x W x H	length by width by height	ns	nanosecond	sq. in.	square inch
lb.	pound, pounds	OC	overcrank	SS	stainless steel
lbm/ft ³	pounds mass per cubic feet	OD	outside diameter	std.	standard
LCB	line circuit breaker	OEM	original equipment manufacturer	stl.	steel
LCD	liquid crystal display	OF	overfrequency	tach.	tachometer
ld. shd.	load shed	opt.	option, optional	TD	time delay
LED	light emitting diode	OS	oversize, overspeed	TDC	top dead center
Lph	liters per hour	OSHA	Occupational Safety and Health Administration	TDEC	time delay engine cooldown
Lpm	liters per minute	OV	overvoltage	TDEN	time delay emergency to normal
LOP	low oil pressure	oz.	ounce	TDES	time delay engine start
LP	liquefied petroleum	p., pp.	page, pages	TDNE	time delay normal to emergency
LPG	liquefied petroleum gas	PC	personal computer	TDOE	time delay off to emergency
LS	left side	PCB	printed circuit board	TDON	time delay off to normal
L _{wa}	sound power level, A weighted	pF	picofarad	temp.	temperature
LWL	low water level	PF	power factor	term.	terminal
LWT	low water temperature	ph., ∅	phase	TIF	telephone influence factor
m	meter, milli (1/1000)	PHC	Phillips head crimp (screw)	TIR	total indicator reading
M	mega (10 ⁶ when used with SI units), male	PHH	Phillips hex head (screw)	tol.	tolerance
m ³	cubic meter	PHM	pan head machine (screw)	turbo.	turbocharger
m ³ /min.	cubic meters per minute	PLC	programmable logic control	typ.	typical (same in multiple locations)
mA	milliampere	PMG	permanent-magnet generator	UF	underfrequency
man.	manual	pot	potentiometer, potential	UHF	ultrahigh frequency
max.	maximum	ppm	parts per million	UL	Underwriter's Laboratories, Inc.
MB	megabyte (2 ²⁰ bytes)	PROM	programmable read-only memory	UNC	unified coarse thread (was NC)
MCM	one thousand circular mils	psi	pounds per square inch	UNF	unified fine thread (was NF)
MCCB	molded-case circuit breaker	pt.	pint	univ.	universal
meggar	megohmmeter	PTC	positive temperature coefficient	US	undersize, underspeed
MHz	megahertz	PTO	power takeoff	UV	ultraviolet, undervoltage
mi.	mile	PVC	polyvinyl chloride	V	volt
mil	one one-thousandth of an inch	qt.	quart, quarts	VAC	volts alternating current
min.	minimum, minute	qty.	quantity	VAR	voltampere reactive
misc.	miscellaneous	R	replacement (emergency) power source	VDC	volts direct current
MJ	megajoule	rad.	radiator, radius	VFD	vacuum fluorescent display
mJ	millijoule	RAM	random access memory	VGA	video graphics adapter
mm	millimeter	RDO	relay driver output	VHF	very high frequency
mOhm, mΩ	milliohm	ref.	reference	W	watt
MOhm, MΩ	megohm	rem.	remote	WCR	withstand and closing rating
MOV	metal oxide varistor	Res/Coml	Residential/Commercial	w/	with
MPa	megapascal	RFI	radio frequency interference	w/o	without
mpg	miles per gallon	RH	round head	wt.	weight
mph	miles per hour	RHM	round head machine (screw)	xfmr	transformer
MS	military standard				
m/sec.	meters per second				
MTBF	mean time between failure				

Appendix B Common Hardware Application Guidelines

Use the information below and on the following pages to identify proper fastening techniques when no specific reference for reassembly is made.

Bolt/Screw Length: When bolt/screw length is not given, use Figure 1 as a guide. As a general rule, a minimum length of one thread beyond the nut and a maximum length of 1/2 the bolt/screw diameter beyond the nut is the preferred method.

Washers and Nuts: Use split lock washers as a bolt locking device where specified. Use SAE flat washers with whiz nuts, spirallock nuts, or standard nuts and preloading (torque) of the bolt in all other applications.

See Appendix C, General Torque Specifications, and other torque specifications in the service literature.

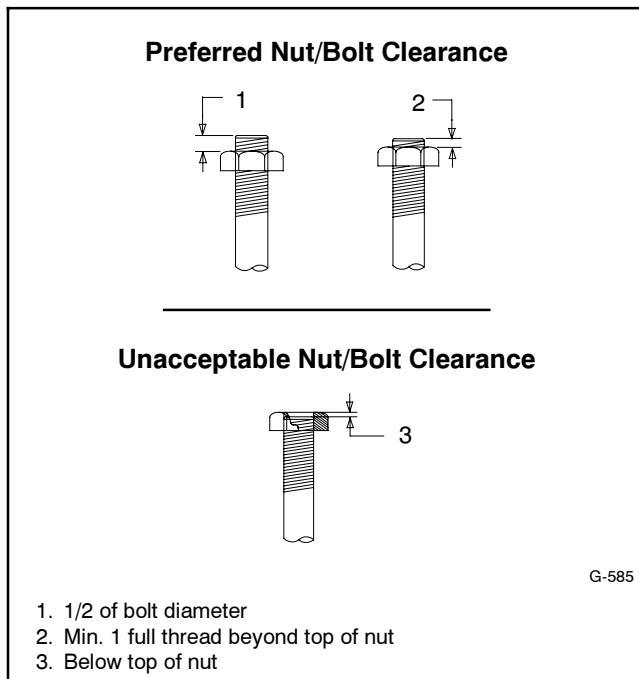


Figure 1 Acceptable Bolt Lengths

Steps for common hardware application:

1. Determine entry hole type: round or slotted.
2. Determine exit hole type: fixed female thread (weld nut), round, or slotted.

For round and slotted exit holes, determine if hardware is greater than 1/2 inch in diameter, or 1/2 inch in diameter or less. Hardware that is *greater than 1/2 inch* in diameter takes a standard nut and SAE washer. Hardware *1/2 inch or less* in diameter can take a properly torqued whiz nut or spirallock nut. See Figure 2.

3. Follow these SAE washer rules after determining exit hole type:
 - a. Always use a washer between hardware and a slot.
 - b. Always use a washer under a nut (see 2 above for exception).
 - c. Use a washer under a bolt when the female thread is fixed (weld nut).
4. Refer to Figure 2, which depicts the preceding hardware configuration possibilities.

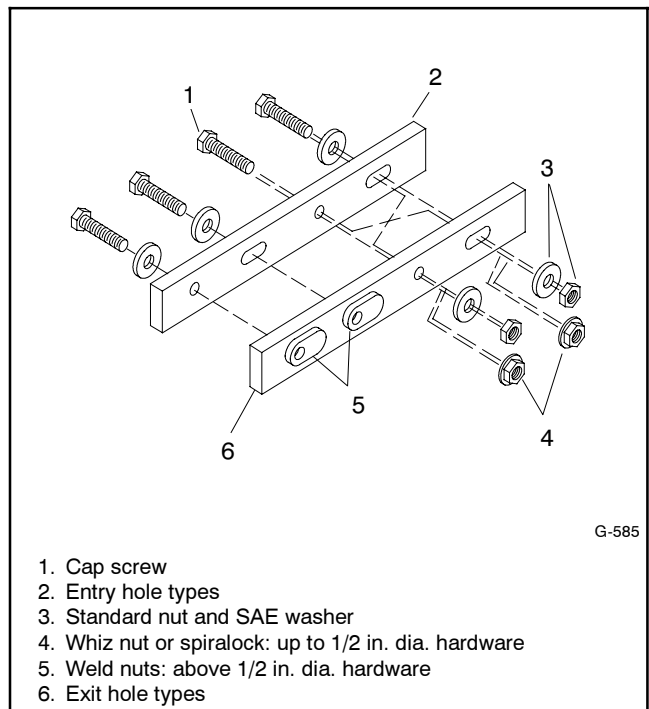


Figure 2 Acceptable Hardware Combinations

Appendix C General Torque Specifications









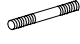
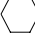




American Standard Fasteners Torque Specifications					
Size	Torque Measurement	Assembled into Cast Iron or Steel			Assembled into Aluminum Grade 2 or 5
		Grade 2	Grade 5	Grade 8	
8-32	Nm (in. lb.)	1.8 (16)	2.3 (20)	—	See Note 3
10-24	Nm (in. lb.)	2.9 (26)	3.6 (32)	—	
10-32	Nm (in. lb.)	2.9 (26)	3.6 (32)	—	
1/4-20	Nm (in. lb.)	6.8 (60)	10.8 (96)	14.9 (132)	
1/4-28	Nm (in. lb.)	8.1 (72)	12.2 (108)	16.3 (144)	
5/16-18	Nm (in. lb.)	13.6 (120)	21.7 (192)	29.8 (264)	
5/16-24	Nm (in. lb.)	14.9 (132)	23.1 (204)	32.5 (288)	
3/8-16	Nm (ft. lb.)	24.0 (18)	38.0 (28)	53.0 (39)	
3/8-24	Nm (ft. lb.)	27.0 (20)	42.0 (31)	60.0 (44)	
7/16-14	Nm (ft. lb.)	39.0 (29)	60.0 (44)	85.0 (63)	
7/16-20	Nm (ft. lb.)	43.0 (32)	68.0 (50)	95.0 (70)	
1/2-13	Nm (ft. lb.)	60.0 (44)	92.0 (68)	130.0 (96)	
1/2-20	Nm (ft. lb.)	66.0 (49)	103.0 (76)	146.0 (108)	
9/16-12	Nm (ft. lb.)	81.0 (60)	133.0 (98)	187.0 (138)	
9/16-18	Nm (ft. lb.)	91.0 (67)	148.0 (109)	209.0 (154)	
5/8-11	Nm (ft. lb.)	113.0 (83)	183.0 (135)	259.0 (191)	
5/8-18	Nm (ft. lb.)	128.0 (94)	208.0 (153)	293.0 (216)	
3/4-10	Nm (ft. lb.)	199.0 (147)	325.0 (240)	458.0 (338)	
3/4-16	Nm (ft. lb.)	222.0 (164)	363.0 (268)	513.0 (378)	
1-8	Nm (ft. lb.)	259.0 (191)	721.0 (532)	1109.0 (818)	
1-12	Nm (ft. lb.)	283.0 (209)	789.0 (582)	1214.0 (895)	












Metric Fasteners Torque Specifications, Measured in Nm (ft. lb.)				
Size (mm)	Assembled into Cast Iron or Steel			Assembled into Aluminum Grade 5.8 or 8.8
	Grade 5.8	Grade 8.8	Grade 10.9	
M6 x 1.00	6.2 (4.6)	9.5 (7)	13.6 (10)	See Note 3
M8 x 1.25	15.0 (11)	23.0 (17)	33.0 (24)	
M8 x 1.00	16.0 (11)	24.0 (18)	34.0 (25)	
M10 x 1.50	30.0 (22)	45.0 (34)	65.0 (48)	
M10 x 1.25	31.0 (23)	47.0 (35)	68.0 (50)	
M12 x 1.75	53.0 (39)	80.0 (59)	115.0 (85)	
M12 x 1.50	56.0 (41)	85.0 (63)	122.0 (90)	
M14 x 2.00	83.0 (61)	126.0 (93)	180.0 (133)	
M14 x 1.50	87.0 (64)	133.0 (98)	190.0 (140)	
M16 x 2.00	127.0 (94)	194.0 (143)	278.0 (205)	
M16 x 1.50	132.0 (97)	201.0 (148)	287.0 (212)	
M18 x 2.50	179.0 (132)	273.0 (201)	390.0 (288)	
M18 x 1.50	189.0 (140)	289.0 (213)	413.0 (305)	

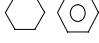



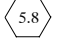
Notes:

1. The torque values above are general guidelines. Always use the torque values specified in the service manuals and/or assembly drawings when they differ from the above torque values.
2. The torque values above are based on new plated threads. Increase torque values by 15% if non-plated threads are used.
3. Hardware threaded into aluminum must have either two diameters of thread engagement or a 30% or more reduction in the torque to prevent stripped threads.
4. Torque values are calculated as equivalent stress loading on American hardware with an approximate preload of 90% of the yield strength and a friction coefficient of 0.125.

Appendix D Common Hardware Identification

Screw/Bolts/Studs	
Head Styles	
Hex Head or Machine Head	
Hex Head or Machine Head with Washer	
Flat Head (FHM)	
Round Head (RHM)	
Pan Head	
Hex Socket Head Cap or Allen™ Head Cap	
Hex Socket Head or Allen™ Head Shoulder Bolt	
Sheet Metal Screw	
Stud	
Drive Styles	
Hex	
Hex and Slotted	
Phillips®	
Slotted	
Hex Socket	

Nuts	
Nut Styles	
Hex Head	
Lock or Elastic	
Square	
Cap or Acorn	
Wing	
Washers	
Washer Styles	
Plain	
Split Lock or Spring	
Spring or Wave	
External Tooth Lock	
Internal Tooth Lock	
Internal-External Tooth Lock	

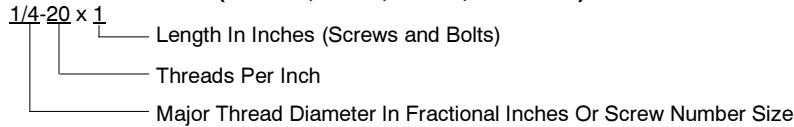
Hardness Grades	
American Standard	
Grade 2	
Grade 5	
Grade 8	
Grade 8/9 (Hex Socket Head)	
Metric	
Number stamped on hardware; 5.8 shown	

Allen™ head screw is a trademark of Holo-Krome Co.

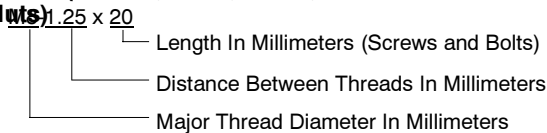
Phillips® screw is a registered trademark of Phillips Screw Company.

Sample Dimensions

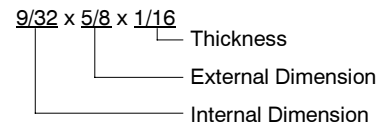
American Standard (Screws, Bolts, Studs, and Nuts)



Metric (Screws, Bolts, Studs, and Nuts)



Plain Washers



Lock Washers



Appendix E Common Hardware List

The Common Hardware List lists part numbers and dimensions for common hardware items.

American Standard

Part No. Dimensions Hex Head Bolts (Grade 5)

X-465-17	1/4-20 x .38
X-465-6	1/4-20 x .50
X-465-2	1/4-20 x .62
X-465-16	1/4-20 x .75
X-465-18	1/4-20 x .88
X-465-7	1/4-20 x 1.00
X-465-8	1/4-20 x 1.25
X-465-9	1/4-20 x 1.50
X-465-10	1/4-20 x 1.75
X-465-11	1/4-20 x 2.00
X-465-12	1/4-20 x 2.25
X-465-14	1/4-20 x 2.75
X-465-21	1/4-20 x 5.00
X-465-25	1/4-28 x .38
X-465-20	1/4-28 x 1.00
X-125-33	5/16-18 x .50
X-125-23	5/16-18 x .62
X-125-3	5/16-18 x .75
X-125-31	5/16-18 x .88
X-125-5	5/16-18 x 1.00
X-125-24	5/16-18 x 1.25
X-125-34	5/16-18 x 1.50
X-125-25	5/16-18 x 1.75
X-125-26	5/16-18 x 2.00
230578	5/16-18 x 2.25
X-125-29	5/16-18 x 2.50
X-125-27	5/16-18 x 2.75
X-125-28	5/16-18 x 3.00
X-125-22	5/16-18 x 4.50
X-125-32	5/16-18 x 5.00
X-125-35	5/16-18 x 5.50
X-125-36	5/16-18 x 6.00
X-125-40	5/16-18 x 6.50
X-125-43	5/16-24 x 1.75
X-125-44	5/16-24 x 2.50
X-125-30	5/16-24 x .75
X-125-39	5/16-24 x 2.00
X-125-38	5/16-24 x 2.75
X-6238-2	3/8-16 x .62
X-6238-10	3/8-16 x .75
X-6238-3	3/8-16 x .88
X-6238-11	3/8-16 x 1.00
X-6238-4	3/8-16 x 1.25
X-6238-5	3/8-16 x 1.50
X-6238-1	3/8-16 x 1.75
X-6238-6	3/8-16 x 2.00
X-6238-17	3/8-16 x 2.25
X-6238-7	3/8-16 x 2.50
X-6238-8	3/8-16 x 2.75
X-6238-9	3/8-16 x 3.00
X-6238-19	3/8-16 x 3.25
X-6238-12	3/8-16 x 3.50
X-6238-20	3/8-16 x 3.75
X-6238-13	3/8-16 x 4.50
X-6238-18	3/8-16 x 5.50
X-6238-25	3/8-16 x 6.50

Part No. Dimensions Hex Head Bolts, cont.

X-6238-14	3/8-24 x .75
X-6238-16	3/8-24 x 1.25
X-6238-21	3/8-24 x 4.00
X-6238-22	3/8-24 x 4.50
X-6024-5	7/16-14 x .75
X-6024-2	7/16-14 x 1.00
X-6024-8	7/16-14 x 1.25
X-6024-3	7/16-14 x 1.50
X-6024-4	7/16-14 x 2.00
X-6024-11	7/16-14 x 2.75
X-6024-12	7/16-14 x 6.50
X-129-15	1/2-13 x .75
X-129-17	1/2-13 x 1.00
X-129-18	1/2-13 x 1.25
X-129-19	1/2-13 x 1.50
X-129-20	1/2-13 x 1.75
X-129-21	1/2-13 x 2.00
X-129-22	1/2-13 x 2.25
X-129-23	1/2-13 x 2.50
X-129-24	1/2-13 x 2.75
X-129-25	1/2-13 x 3.00
X-129-27	1/2-13 x 3.50
X-129-29	1/2-13 x 4.00
X-129-30	1/2-13 x 4.50
X-463-9	1/2-13 x 5.50
X-129-44	1/2-13 x 6.00
X-129-51	1/2-20 x .75
X-129-45	1/2-20 x 1.25
X-129-52	1/2-20 x 1.50
X-6021-3	5/8-11 x 1.00
X-6021-4	5/8-11 x 1.25
X-6021-2	5/8-11 x 1.50
X-6021-1	5/8-11 x 1.75
273049	5/8-11 x 2.00
X-6021-5	5/8-11 x 2.25
X-6021-6	5/8-11 x 2.50
X-6021-7	5/8-11 x 2.75
X-6021-12	5/8-11 x 3.75
X-6021-11	5/8-11 x 4.50
X-6021-10	5/8-11 x 6.00
X-6021-9	5/8-18 x 2.50
X-6239-1	3/4-10 x 1.00
X-6239-8	3/4-10 x 1.25
X-6239-2	3/4-10 x 1.50
X-6239-3	3/4-10 x 2.00
X-6239-4	3/4-10 x 2.50
X-6239-5	3/4-10 x 3.00
X-6239-6	3/4-10 x 3.50
X-792-1	1-8 x 2.25
X-792-5	1-8 x 3.00
X-792-8	1-8 x 5.00

Part No. Dimensions Type

Hex Nuts

X-6009-1	1-8	Standard
X-6210-3	6-32	Whiz
X-6210-4	8-32	Whiz
X-6210-5	10-24	Whiz
X-6210-1	10-32	Whiz
X-6210-2	1/4-20	Spiralock
X-6210-6	1/4-28	Spiralock
X-6210-7	5/16-18	Spiralock
X-6210-8	5/16-24	Spiralock
X-6210-9	3/8-16	Spiralock
X-6210-10	3/8-24	Spiralock
X-6210-11	7/16-14	Spiralock
X-6210-12	1/2-13	Spiralock
X-6210-15	7/16-20	Spiralock
X-6210-14	1/2-20	Spiralock
X-85-3	5/8-11	Standard
X-88-12	3/4-10	Standard
X-89-2	1/2-20	Standard

Washers

Part No.	ID	OD	Thick.	Bolt/ Screw
X-25-46	.125	.250	.022	#4
X-25-9	.156	.375	.049	#6
X-25-48	.188	.438	.049	#8
X-25-36	.219	.500	.049	#10
X-25-40	.281	.625	.065	1/4
X-25-85	.344	.687	.065	5/16
X-25-37	.406	.812	.065	3/8
X-25-34	.469	.922	.065	7/16
X-25-26	.531	1.062	.095	1/2
X-25-15	.656	1.312	.095	5/8
X-25-29	.812	1.469	.134	3/4
X-25-127	1.062	2.000	.134	1

Metric

Hex head bolts are hardness grade 8.8 unless noted.

Part No.	Dimensions	Part No.	Dimensions	Part No.	Dimensions
Hex Head Bolts (Partial Thread)					
M931-05055-60	M5-0.80 x 55				
M931-06040-60	M6-1.00 x 40				
M931-06055-60	M6-1.00 x 55				
M931-06060-60	M6-1.00 x 60				
M931-06060-SS	M6-1.00 x 60				
M931-06070-60	M6-1.00 x 70				
M931-06070-SS	M6-1.00 x 70				
M931-06075-60	M6-1.00 x 75				
M931-06090-60	M6-1.00 x 90				
M931-06145-60	M6-1.00 x 145				
M931-06150-60	M6-1.00 x 150				
Hex Head Bolts (Partial Thread), continued					
M931-08035-60	M8-1.25 x 35	M960-16090-60	M16-1.50 x 90	M933-12016-60	M12-1.75 x 16
M931-08040-60	M8-1.25 x 40	M931-16090-60	M16-2.00 x 90	M933-12020-60	M12-1.75 x 20
M931-08045-60	M8-1.25 x 45	M931-16100-60	M16-2.00 x 100	M961-12020-60F	M12-1.50 x 20
M931-08050-60	M8-1.25 x 50	M931-16100-82	M16-2.00 x 100*	M933-12025-60	M12-1.75 x 25
M931-08055-60	M8-1.25 x 55	M931-16120-60	M16-2.00 x 120	M933-12025-82	M12-1.75 x 25*
M931-08055-82	M8-1.25 x 55*	M931-16150-60	M16-2.00 x 150	M961-12030-60	M12-1.25 x 30
M931-08060-60	M8-1.25 x 60	M931-20065-60	M20-2.50 x 65	M933-12030-82	M12-1.75 x 30*
M931-08070-60	M8-1.25 x 70	M931-20090-60	M20-2.50 x 90	M961-12030-82F	M12-1.50 x 30*
M931-08070-82	M8-1.25 x 70*	M931-20100-60	M20-2.50 x 100	M933-12030-60	M12-1.75 x 30
M931-08075-60	M8-1.25 x 75	M931-20120-60	M20-2.50 x 120	M933-12035-60	M12-1.75 x 35
M931-08080-60	M8-1.25 x 80	M931-20140-60	M20-2.50 x 140	M961-12040-82	M12-1.25 x 40*
M931-08090-60	M8-1.25 x 90	M931-20160-60	M20-2.50 x 160	M933-12040-60	M12-1.75 x 40
M931-08095-60	M8-1.25 x 95	M931-22090-60	M22-2.50 x 90	M933-12040-82	M12-1.75 x 40*
M931-08100-60	M8-1.25 x 100	M931-22120-60	M22-2.50 x 120	M961-14025-60	M14-1.50 x 25
M931-08110-60	M8-1.25 x 110	M931-22160-60	M22-2.50 x 160	M933-14025-60	M14-2.00 x 25
M931-08120-60	M8-1.25 x 120	M931-24090-60	M24-3.00 x 90	M961-14050-82	M14-1.50 x 50*
M931-08130-60	M8-1.25 x 130	M931-24120-60	M24-3.00 x 120	M933-16025-60	M16-1.50 x 25
M931-08140-60	M8-1.25 x 140	M931-24160-60	M24-3.00 x 160	M933-16025-82	M16-2.00 x 25
M931-08150-60	M8-1.25 x 150	M931-24200-60	M24-3.00 x 200	M961-16030-82	M16-1.50 x 30*
M931-08200-60	M8-1.25 x 200	Hex Head Bolts (Full Thread)			
M931-10040-82	M10-1.25 x 40*	M933-04006-60	M4-0.70 x 6	M933-16030-82	M16-2.00 x 30*
M931-10040-60	M10-1.50 x 40	M933-05030-60	M5-0.80 x 30	M933-16035-60	M16-2.00 x 35
M931-10045-60	M10-1.50 x 45	M933-05035-60	M5-0.80 x 35	M961-16040-60	M16-1.50 x 40
M931-10050-60	M10-1.50 x 50	M933-05050-60	M5-0.80 x 50	M933-16040-60	M16-2.00 x 40
M931-10050-82	M10-1.25 x 50*	M933-06010-60	M6-1.00 x 10	M961-16045-82	M16-1.50 x 45*
M931-10055-60	M10-1.50 x 55	M933-06012-60	M6-1.00 x 12	M933-16045-82	M16-2.00 x 45*
M931-10060-60	M10-1.50 x 60	M933-06014-60	M6-1.00 x 14	M933-16050-60	M16-2.00 x 50
M931-10065-60	M10-1.50 x 65	M933-06016-60	M6-1.00 x 16	M933-16050-82	M16-2.00 x 50*
M931-10070-60	M10-1.50 x 70	M933-06020-60	M6-1.00 x 20	M933-16060-60	M16-2.00 x 60
M931-10080-60	M10-1.50 x 80	M933-06025-60	M6-1.00 x 25	M933-16070-60	M16-2.00 x 70
M931-10080-82	M10-1.25 x 80*	M933-06030-60	M6-1.00 x 30	M933-18035-60	M18-2.50 x 35
M931-10090-60	M10-1.50 x 90	M933-06040-60	M6-1.00 x 40	M933-18050-60	M18-2.50 x 50
M931-10090-82	M10-1.50 x 90*	M933-06050-60	M6-1.00 x 50	M933-18060-60	M18-2.50 x 60
M931-10100-60	M10-1.50 x 100	M933-07025-60	M7-1.00 x 25	M933-20050-60	M20-2.50 x 50
M931-10110-60	M10-1.50 x 110	M933-08010-60	M8-1.25 x 10	M933-20055-60	M20-2.50 x 55
M931-10120-60	M10-1.50 x 120	M933-08012-60	M8-1.25 x 12	M933-24060-60	M24-3.00 x 60
M931-10130-60	M10-1.50 x 130	M933-08016-60	M8-1.25 x 16	M933-24065-60	M24-3.00 x 65
M931-10140-60	M10-1.50 x 140	M933-08020-60	M8-1.25 x 20	M933-24070-60	M24-3.00 x 70
M931-10180-60	M10-1.50 x 180	M933-08025-60	M8-1.25 x 25	Pan Head Machine Screws	
M931-10235-60	M10-1.50 x 235	M933-08030-60	M8-1.25 x 30	M7985A-03010-20	M3-0.50 x 10
M931-10260-60	M10-1.50 x 260	M933-08030-82	M8-1.25 x 30*	M7985A-03012-20	M3-0.50 x 12
M960-10330-60	M10-1.25 x 330	M933-10012-60	M10-1.50 x 12	M7985A-04010-20	M4-0.70 x 10
M931-12045-60	M12-1.75 x 45	M961-10020-60	M10-1.25 x 20	M7985A-04016-20	M4-0.70 x 16
M960-12050-60	M12-1.25 x 50	M933-10020-60	M10-1.50 x 20	M7985A-04020-20	M4-0.70 x 20
M960-12050-82	M12-1.25 x 50*	M933-10025-60	M10-1.50 x 25	M7985A-04050-20	M4-0.70 x 50
M931-12050-60	M12-1.75 x 50	M961-10025-60	M10-1.25 x 25	M7985A-04100-20	M4-0.70 x 100
M931-12050-82	M12-1.75 x 50*	M933-10025-82	M10-1.50 x 25*	M7985A-05010-20	M5-0.80 x 10
M931-12055-60	M12-1.75 x 55	M961-10030-60	M10-1.25 x 30	M7985A-05012-20	M5-0.80 x 12
M931-12060-60	M12-1.75 x 60	M933-10030-60	M10-1.50 x 30	M7985A-05016-20	M5-0.80 x 16
M931-12060-82	M12-1.75 x 60*	M933-10030-82	M10-1.50 x 30*	M7985A-05020-20	M5-0.80 x 20
M931-12065-60	M12-1.75 x 65	M961-10035-60	M10-1.25 x 35	M7985A-05025-20	M5-0.80 x 25
M931-12075-60	M12-1.75 x 75	M933-10035-60	M10-1.50 x 35	M7985A-05030-20	M5-0.80 x 30
M931-12080-60	M12-1.75 x 80	M933-10035-82	M10-1.50 x 35*	M7985A-05080-20	M5-0.80 x 80
M931-12090-60	M12-1.75 x 90	M961-10040-60	M10-1.25 x 40	M7985A-05100-20	M5-0.80 x 100
M931-12100-60	M12-1.75 x 100				
M931-12110-60	M12-1.75 x 110				
Flat Head Machine Screws					
		M965A-04012-SS	M4-0.70 x 12		
		M965A-05012-SS	M5-0.80 x 12		
		M965A-05016-20	M5-0.80 x 16		
		M965A-06012-20	M6-1.00 x 12		

* This metric hex bolt's hardness is grade 10.9.

Metric, continued

Part No.	Dimensions	Type
Hex Nuts		
M934-03-50	M3-0.50	Standard
M934-04-50	M4-0.70	Standard
M934-04-B	M4-0.70	Brass
M934-05-50	M5-0.80	Standard
M934-06-60	M6-1.00	Standard
M934-06-64	M6-1.00	Std. (green)
M6923-06-80	M6-1.00	Spirallock
M982-06-80	M6-1.00	Elastic Stop
M934-08-60	M8-1.25	Standard
M6923-08-80	M8-1.25	Spirallock
M982-08-80	M8-1.25	Elastic Stop
M934-10-60	M10-1.50	Standard
M934-10-60F	M10-1.25	Standard
M6923-10-80	M10-1.50	Spirallock
M6923-10-62	M10-1.50	Spirallock†
M982-10-80	M10-1.50	Elastic Stop
M934-12-60	M12-1.75	Standard
M934-12-60F	M12-1.25	Standard
M6923-12-80	M12-1.75	Spirallock
M982-12-80	M12-1.75	Elastic Stop
M982-14-60	M14-2.00	Elastic Stop
M6923-16-80	M16-2.00	Spirallock
M982-16-80	M16-2.00	Elastic Stop
M934-18-80	M18-2.5	Standard
M982-18-60	M18-2.50	Elastic Stop
M934-20-80	M20-2.50	Standard
M982-20-80	M20-2.50	Elastic Stop
M934-22-60	M22-2.50	Standard
M934-24-80	M24-3.00	Standard
M982-24-60	M24-3.00	Elastic Stop
M934-30-80	M30-3.50	Standard

Washers

Part No.	ID	OD	Thick.	Bolt/ Screw
M125A-03-80	3.2	7.0	0.5	M3
M125A-04-80	4.3	9.0	0.8	M4
M125A-05-80	5.3	10.0	1.0	M5
M125A-06-80	6.4	12.0	1.6	M6
M125A-08-80	8.4	16.0	1.6	M8
M125A-10-80	10.5	20.0	2.0	M10
M125A-12-80	13.0	24.0	2.5	M12
M125A-14-80	15.0	28.0	2.5	M14
M125A-16-80	17.0	30.0	3.0	M16
M125A-18-80	19.0	34.0	3.0	M18
M125A-20-80	21.0	37.0	3.0	M20
M125A-24-80	25.0	44.0	4.0	M24

† This metric hex nut's hardness is grade 8.

TP-6270 11/10d

© 2004, 2005, 2006, 2010 by Kohler Co. All rights reserved.

KOHLER[®] POWER SYSTEMS

KOHLER CO. Kohler, Wisconsin 53044
Phone 920-457-4441, Fax 920-459-1646
For the nearest sales and service outlet in the
US and Canada, phone 1-800-544-2444
KohlerPower.com

Kohler Power Systems
Asia Pacific Headquarters
7 Jurong Pier Road
Singapore 619159
Phone (65) 6264-6422, Fax (65) 6264-6455