



Marine Product Catalog

SERVICING MILLIONS OF BOATS WORLDWIDE



Contents

MARINE PRODUCT CATALOG

01 An Introduction to Pumps 4

| | |
|-------------------|---|
| Overview of Parts | 4 |
| Introduction | 6 |

02 Bilge Pumping Systems 8

| | |
|--------------------------------------|----|
| Introduction | 8 |
| Electric Submersible Pumps | 12 |
| Bilge Pump Control & Panel Switches | 14 |
| General Purpose Pumps | 16 |
| Jabsco & Rule Accessories | 18 |
| Amazon Manual Diaphragm Pumps | 20 |
| Electric Diaphragm Pumps | 22 |
| Electric Flexible Impeller Pumps | 24 |
| Engine Driven, Electric Clutch Pumps | 26 |
| Engine Driven, Manual Clutch Pumps | 28 |
| Jabsco Accessories | 30 |

03 Livewell/Baitwell Pumps 32

| | |
|------------------|----|
| Introduction | 32 |
| Livewell/Aerator | 34 |

04 Toilet Systems 38

| | |
|-------------------------------|----|
| Introduction | 38 |
| Twist 'n' Lock Manual Toilets | 40 |
| Lite Flush Toilets | 41 |
| Electric Toilets & Kits | 42 |
| Quiet Flush Electric Toilets | 44 |
| Deluxe Flush Electric Toilets | 46 |
| Accessories | 48 |
| New Ceramic Designs | 50 |

05 Water Pressure Systems 52

| | |
|-------------------------------------|----|
| Introduction | 52 |
| Automatic Pressure Controlled Pumps | 54 |
| Accessories & Accumulator Tanks | 60 |

06 Washdown Pumps 62

| | |
|----------------|----|
| Washdown Pumps | 62 |
|----------------|----|

07 Oil Change & Diesel Transfer Pumps 64

| | |
|-----------------------|----|
| Oil Change Pumps | 64 |
| Diesel Transfer Pumps | 68 |

08 General Purpose Pumps 70

| | |
|-----------------------------------|----|
| Introduction | 70 |
| Shower & Sink Drain Pumps | 71 |
| Circulation Pumps | 72 |
| Dockside Utility & Portable Pumps | 73 |
| Drill Pumps & General Pumps | 74 |
| Ballast Pumps | 75 |
| Utility Pumps | 76 |

09 Ventilation Blowers 78

| | |
|---------------------------|----|
| Introduction | 78 |
| Heavy-Duty Radial Blowers | 79 |
| Radial & In-Line Blowers | 80 |

10 Searchlights 82

| | |
|---------------------------------|----|
| Introduction | 82 |
| Remote Control Lights | 84 |
| Remote Control Kits & Harnesses | 86 |
| Floodlights | 88 |

Contents

MARINE PRODUCT CATALOG

11 Flexible Impeller Pumps 90

| | |
|--|-----|
| Selection Guide | 90 |
| Introduction | 94 |
| Pulley Driven Pumps | 100 |
| Upgrade to Jabsco Engine Cooling Pumps | 106 |
| Cooling Pump Spares by Make of Engine | 112 |

12 Impeller Replacement 144

| | |
|-------------------------------|-----|
| Introduction | 144 |
| Impeller Selection | 146 |
| Selection Table by Profile | 148 |
| Selection Table by Dimensions | 150 |
| Troubleshooting Guide | 152 |

13 Service Parts 154

| | |
|---|-----|
| Gasket, Wearplate & End Cover Profiles | 154 |
| Cam Profiles | 159 |
| Flexible Impeller Pump Spares by Pump Model | 162 |
| Electromagnetic Clutch Pump Clutch Parts | 216 |
| Obsolete to Current Jabsco Parts Table | 218 |
| USA to UK Jabsco Parts Table | 222 |
| Johnson to Jabsco Parts Table | 224 |
| DC Flexible Impeller Puppy Pumps | 226 |
| AC Flexible Impeller Pumps, AC & DC Macerator and Centrifugal Pumps, Sliding Vane Pumps | 228 |
| Shower Drain/Bilge and Waste Pumps | 230 |
| Traditional PAR Pumps | 232 |
| V-Flo 5.0 Pump | 236 |
| PAR-Max Plus Series Pumps | 237 |

13 Service Parts (continued)

| | |
|--|-----|
| PAR-Max Series & PAR-Mate Pumps | 238 |
| PAR-Max 4.0 GPM Washdown Pump | 239 |
| Old 30XXX Series PAR-Max Pumps | 240 |
| New 31XXX Series PAR-Max Pumps | 241 |
| Sensor Max™ VSD & Dual Max Pumps | 243 |
| Amazon Manual Diaphragm Pumps | 244 |
| PAR Manual Toilets up to 1997 | 246 |
| Jabsco Manual Toilets 1998 to 2007 | 247 |
| Jabsco Manual Toilets 2008 Onward | 248 |
| Electric Conversion for Manual Toilets | 249 |
| Electric Toilets | 250 |
| 18590 Series Run-Dry Macerator Pump | 256 |
| Replacement Bulb Guide | 257 |

14 Appendices 258

| | |
|--|-----|
| Warranty | 258 |
| Authorized Service Centers (USA) | 259 |
| Marine Distributors - Europe & North Africa | 260 |
| Marine Distributors - Africa, Middle and Near East, Asia & Australasia | 262 |
| Marine Distributors - South America & Caribbean | 264 |
| Conversion Tables | 266 |
| Impeller Replacement Profiles | 268 |
| Jabscotech.com | 272 |

All products in this catalog comply with any current relevant European legislation unless shown otherwise.

01 An Introduction to Pumps

OVERVIEW OF PARTS





Searchlight



Toilet Systems



Shower Drain Pumps

01 An Introduction to Pumps

INTRODUCTION



Flexible Impeller



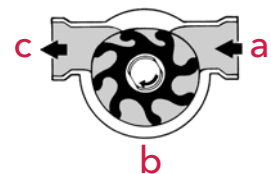
Pipe runs should always be kept as short and straight as possible. Plumbing should always be reinforced, non-collapsible hose of the recommended size. Electric pumps should always be installed in a dry, well-ventilated position as close to the liquid to be pumped as possible.

Flexible impeller pumps must not be run dry. Bilge pumps and water pumps in particular should be fitted with a filter or strainer on the inlet plumbing to protect them from debris. These should be fastened to the boat structure to ensure their permanent location. Mount flexible impeller pumps so that some water is left in the pump body when the pump is shut off. This will prolong impeller life and speed priming. Pumps must be installed with the overboard discharge well above the waterline (both static and heeled) to avoid water siphoning back into the vessel.

- **Versatile:** The flexible impeller pump combines the priming features of positive displacement type pumps with the general transfer ability of centrifugals. It will pump either thin or viscous liquids and can handle more solids in suspension than other types of rotary pumps. The pump can be mounted at any angle and will pump in either direction with equal efficiency.
- **Self-Priming:** Pumps instantly with dry suction lifts up to 10' (3m) and up to 25' (8m) when wetted.
- **Simplicity:** One moving part – a tough, long-life, wear-resistant flexible impeller.
- **Flexibility:** The flexible impeller pump offers both high flow and high pressure according to motor and impeller design.
- CE and ISO 8849 certification.
- Ignition protection.

HOW IT WORKS

- Flexible impeller blades create a nearly perfect vacuum for instant self-priming.
- As the impeller rotates, each successive blade draws in liquid and carries it from intake to outlet port.
- As the flexible impeller blades contact the offset cam, they bend with a squeezing action that provides a continuous, uniform flow.



Diaphragm

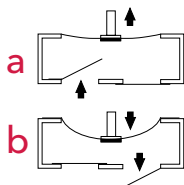
Electric pumps should always be installed in a dry, well-ventilated position as close as possible to the liquid to be pumped. Plumbing should always be reinforced, non-collapsible hose of the recommended size. Bilge pumps and water diaphragm bilge pumps in particular should always be fitted with a filter and strainer on the inlet plumbing to protect them from debris. These should be fastened to the boat structure to ensure their permanent location. Pumps must be installed with the overboard discharge well above the waterline (both static and heeled) to avoid water siphoning back into the vessel. Electric diaphragm pumps can be run dry for up to two hours.



- **Self-Priming:** Vertical lift up to 16' (5m) for manual pumps and 6-10' (2-3m) for electric pumps.
- **Dry Running:** Diaphragm pumps can be run dry for extended periods with no damage, therefore requiring less attention during use.
- **Versatility:** Self-priming and dry running capabilities mean few limitations on use. Larger manual diaphragm pumps have the ability to handle some solids in suspension. Electric diaphragm pumps make excellent bilge pumps for boats with shallow bilges, or bilges with restricted areas.
- **Quiet Running:** Electric pumps feature smooth flow and low noise levels.

HOW IT WORKS

- The diaphragm, pulled upward by the movements of a piston or a handle, causes a partial vacuum, opening the inlet port and closing the outlet, drawing in liquid.
- Downward movement of the diaphragm pressurizes the liquid, closing the inlet valve and opening the outlet valve through which liquid is expelled by pressure.



Sliding Vane

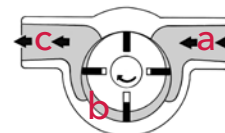
Pipe runs should be kept as short and straight as possible, avoiding rising and dipping over obstructions as this can cause airlocks. Always use hose of the recommended size, and of a rigid or reinforced type that will not collapse under suction conditions. Electric pumps should always be installed in a dry, well-ventilated position as close as possible to the liquid to be pumped.



- **Durable:** Heavy-duty construction with quality materials gives long life. The body is designed to resist environmental damage. The vanes and rotor are constructed of a wear-resistant, long-life material.
- **Self-Priming:** Self-priming up to 13' (4m).
- **Simplicity:** There are few moving parts to replace. The rotor, vanes and seal are lubricated by the liquid being pumped.
- **Versatile:** An excellent compact unit for pumping diesel fuel or hydraulic oil.
- **Can run in either direction.**

HOW IT WORKS

- The vanes create a partial vacuum for priming.
- As the rotor rotates, each successive vane draws and carries liquid from the intake to the discharge port.
- When the vanes contact the eccentric portion of the pump body, they force liquid out the discharge port head.



Centrifugal

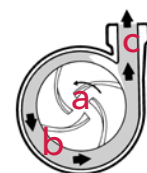
Pipe runs should be kept as short and straight as possible, avoiding rising and dipping over obstructions as this can cause airlocks. Always use hose of the recommended size. Submersible bilge pumps must be installed with the overboard discharge well above the waterline (both static and heeled) to avoid water siphoning back into the vessel.



- **High-Volume Flow:** Centrifugal pumps handle high volumes with a smooth, non-pulsating flow. The flow rate can be regulated from maximum output to no flow with no damage to the pump. An excellent pump for general transfer applications.
- **Low Maintenance:** Few moving parts means that wear due to operation is minimal.
- **Easy Installation:** Compact size for flow rate. Option of port positions simplifies pipe runs.
- **Versatility:** Centrifugal pumps can be built in submersible form, making excellent bilge pumps.
- **Low Power Consumption:** Electric centrifugal pumps consume less power than most other bilge pumps.

HOW IT WORKS

- Centrifugal pumps must be either initially primed or mounted in such a way that liquid is permanently available at the inlet port (e.g., submersible pumps).
- The rotating impeller gives velocity energy to the liquid, moving it to the periphery of the volute casing and toward the discharge port.
- The volute casing discharge arrangement converts velocity energy into static pressure or available pump head.



WARNING

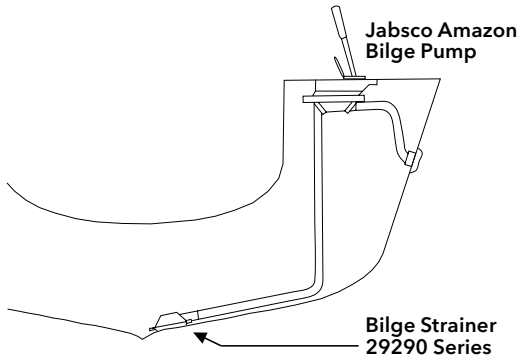
No pump manufactured by Jabsco or Rule should be used for gasoline, petroleum products or any fluid with a flash point below 100°F (38°C).

02 Bilge Pumping Systems

INTRODUCTION



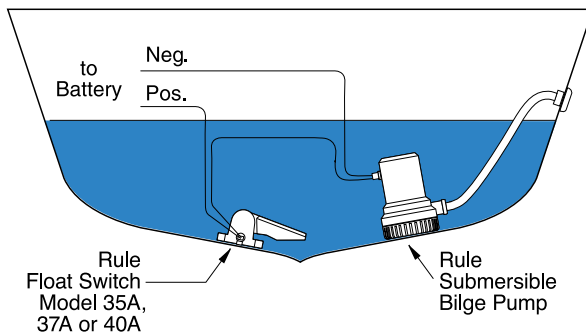
Manual Diaphragm Pumps



These are the traditional mainstay of small craft bilge pumping systems and can offer surprisingly good flow rates, as well as a variety of installation options. Yacht racing rules state that at least one pump must be capable of being pumped from the cockpit with all hatches shut. The best way to accomplish this is with a through deck kit, which allows the pump to be installed safely below decks while the operator pumps from above.

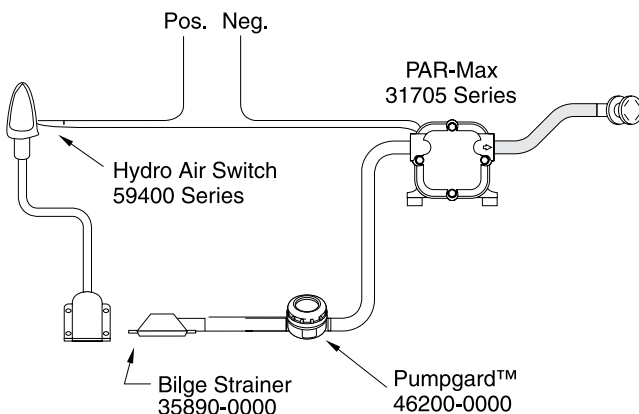
A well-designed manual bilge pump is very hard to block due to its large bore hose and valves and one-piece diaphragm. The larger pumps in Jabsco's line of manual bilge pumps are also suitable for ballast and waste transfer.

Electric Submersible Pumps



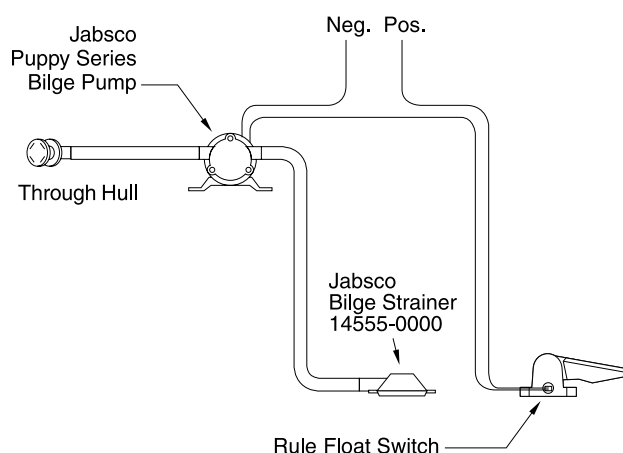
By far the most popular type of electric bilge pumps, submersibles give very high outputs, are cost effective, have low amp draw and are easy to install. They are designed to fit in the lowest part of the bilge and only require discharge pipework and electricity supply. However, flow rates decrease as the discharge head increases, so check our recommended maximum discharge heads, and if in doubt, always increase the size of the pump. Although our submersibles can be run dry for up to two hours, pump life can be extended by avoiding dry running whenever possible. All submersibles can be operated using a float or Hydro Air switch, and remotely controlled outside the bilge compartment by using a Rule switch panel.

Electric Diaphragm Pumps



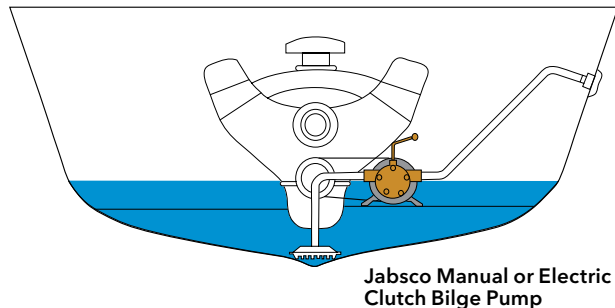
These pumps are excellent for shallow bilge boats, where the water left behind by other types of pumps will slop from side to side. With the small size of inlet plumbing, they are very effective as bilge pumps, removing all but the last drops of water. Diaphragm pumps can be run dry, which removes the need to watch overboard outlets while the pump is running. The ability to self-prime means they can be mounted in an easily accessible, high and dry location to simplify installation and improve serviceability. Most models in the line are supplied complete with a Pumpgard™ strainer to protect the pumps from bilge debris.

Electric Flexible Impeller Pumps



Flexible impeller pumps make excellent bilge pumps, principally because of their ability to handle bilge debris without damage. Because of the robust design, many owners still use our 12 volt DC or 24 volt DC flexible impeller motor pump units that are up to 25 years old! Flexible impeller pumps also give the benefits of good flow, low cost, low size and weight, and are easily serviced and maintained. Most flexible impeller pumps must not be run dry, as this will damage the impeller and require replacing. However, the Utility Puppy 2000 and 3000 both allow a maximum of 10 minutes dry running after initial prime. Flexible impeller pumps can be operated using a float or Hydro Air switch, and remotely controlled from outside the bilge compartment. There is a wide range of flexible impeller pumps to choose from, giving a range of flows, discharge heads and self-priming options for applications such as ballast transfer, bait tank circulation and deck wash duties.

Engine Driven Flexible Impeller Pumps



Jabsco Engine Driven Pumps are probably the strongest and most reliable pumps produced today. Combined with other benefits such as self-priming and very high flow rates, these pumps are now the firm favorites of commercial and professional mariners worldwide. All the pumps are easily maintained and can fulfill a variety of duties onboard both modern and classic vessels. Jabsco engine driven pumps come in a very wide range of performances and sizes, and can be direct driven by a clutch, pulley or hydraulic drive, or close coupled to a suitable power take-off on the engine. These pumps are suitable for applications such as:

- High-flow, heavy-duty bilge pumps.
- Emergency onboard bilge pumps.
- Firefighting pumps.
- Engine cooling.
- Water ballast transfer.
- Circulation duties.

Of course, each application requires different features from each pump and drive type. Either manual or electromagnetic flexible impeller clutch pumps are ideal for bilge pumping. Each type of clutch has different benefits from the other. Manual clutches will operate as long as the engines are still running, which provides added security when operating as an emergency bilge pump. Electromagnetic clutches can be operated remotely via float or Hydro Air switches, while fitting a vacuum switch eliminates all risk of dry running damage. However, electromagnetic clutches will only engage as long as electrical power remains available.



WARNING

No pump manufactured by Jabsco or Rule should be used for gasoline, petroleum products or any fluid with a flash point below 100°F (38°C).

02 Bilge Pumping Systems

INTRODUCTION



Rule Bilge Pumps

Rule Submersible Bilge Pumps have set the standard for the industry for decades. They are the first choice of yachtsmen and fishermen throughout the world. More innovations in bilge pump design have come from Rule Industries than any other manufacturer, and we are proud to offer the broadest range of bilge pumps in the world.

Rule Industries has taken the initiative to once again set the standard. We're moving forward to redesign our bilge pumps from the 360 to the 4000 GPH pumps. As we look into the future, you'll see new designs, more options and higher efficiencies.



FEATURES AND BENEFITS

- Pump and switch are stand-alone products.
- Compact, efficient, long-life motors.
- Sizes: 360, 500, 800, 1000, 1100, 1500, 2000, 3700 and 4000 in 12, 24 and 32 volt versions.
- Limited three-year warranty.
- Ability to run dry for short periods.
- Easy-clean, snap-lock strainer bases.
- Stainless steel shafts.
- Completely submersible.
- Marine-grade blocked wiring.
- Rust and corrosion protection.
- Silent and vibrationless operation.
- CE and ISO 8849 certification.
- Ignition protection.
- Traditional operation activated by a float switch and/or panel switch, providing an extra level of security and protection.
- Remove the motor by pushing the side tabs, allowing easy access to clean the strainer and the impeller cavity.

Standard Bilge Pumps

| CAPACITY GPH (LPH) | MODEL NUMBER | VOLTS | FUSE SIZE | AMPS @12V | AMPS @13.6V | REPLACEMENT STRAINER | HEIGHT INCHES (mm) | WIDTH INCHES (mm) | HOSE DIAMETER INCHES (mm) | PANEL SWITCHES | FLOAT SWITCHES |
|-----------------------|---------------------|-------|--------------|--------------|----------------|-------------------------|--------------------------|-------------------------|------------------------------------|-------------------|-------------------|
| 360 (1363) | 24 | 12DC | 4 | 2.2 | 2.7 | Model 275 | 3.5 (89) | 2.4 (60) | 3/4 (19) | 41, 43, 45, 49 | 35A, 37A, 40A |
| 500 (1893) | 25D-6 (6' wires) | 12DC | 4 | 1.9 | 2.2 | Model 275 | 3.5 (89) | 2.4 (60) | 3/4 (19) | 41, 43, 45, 49 | 35A, 37A, 40A |
| 500 (1893) | 25D | 12DC | 4 | 1.9 | 2.2 | Model 275 | 3.5 (89) | 2.4 (60) | 3/4 (19) | 41, 43, 45, 49 | 35A, 37A, 40A |
| 500 (1893) | 26D | 24DC | 1.5 | 0.9@24V | 1.3@27V | Model 275 | 3.5 (89) | 2.4 (60) | 3/4 (19) | 42, 44, 45, 49 | 35A, 37A, 40A |
| 800 (3028) | 21R | 24DC | 2.5 | 1.3@24V | 2.0@27V | Model 275 | 3.75 (95) | 2.4 (60) | 3/4 (19) | 42, 44, 45, 49 | 35A, 37A, 40A |
| 800 (3028) | 20R | 12DC | 5 | 2.2 | 2.5 | Model 275 | 3.75 (95) | 2.4 (60) | 3/4 (19) | 41, 43, 45, 46 | 35A, 37A, 40A |
| 800 (3028) | 20F | 12DC | 5 | 2.1 | 2.5 | Model 277 | 4.0 (102) | 2.9 (73) | 3/4 (19) | 41, 43, 45, 47 | 35A, 37A, 40A |
| 900 (3407) | LP900D | 12DC | 7.5 | 4 | 5 | 1230R | 2.4 (60) | 2.4 (60) | Multiple | 41, 43, 45, 48 | 35A, 37A, 40A |
| 1000 (3785) | 20A | 12DC | 5 | 2.6 | 3.2 | Model 277 | 4.0 (102) | 2.9 (73) | 1-1/8 (29) | 41, 43, 45, 49 | 35A, 37A, 40A |
| 1100 (4164) | 28D | 24DC | 2.5 | 1.3@24V | 2.0@27V | Model 275 | 4.25 (108) | 2.4 (60) | 1-1/8 (29) | 42, 44, 45, 49 | 35A, 37A, 40A |
| 1100 (4164) | 27D-6 (6' wires) | 12DC | 5 | 2.8 | 3.4 | Model 275 | 4.25 (108) | 2.4 (60) | 1-1/8 (29) | 41, 43, 45, 49 | 35A, 37A, 40A |
| 1100 (4164) | 27D | 12DC | 5 | 2.8 | 3.4 | Model 275 | 4.25 (108) | 2.4 (60) | 1-1/8 (29) | 41, 43, 45, 49 | 35A, 37A, 40A |
| 1500 (5678) | 04 | 12DC | 10 | 4 | 4.8 | Model 278 | 6 (152) | 4.25 (108) | 1-1/8 (29) | 41, 43, 45, 49 | 35A, 37A, 40A |
| 1500 (5678) | 03 | 24DC | 4 | 2.3@24V | 3.5@27.2V | Model 278 | 6 (152) | 4.25 (108) | 1-1/8 (29) | 42, 44, 45, 49 | 35A, 37A, 40A |
| 1500 (5678) | 02-6 (6' wires) | 12DC | 10 | 4 | 4.8 | Model 278 | 6 (152) | 4.25 (108) | 1-1/8 (29) | 41, 43, 45, 49 | 35A, 37A, 40A |
| 1500 (5678) | 02 | 12DC | 10 | 4 | 4.8 | Model 278 | 6 (152) | 4.25 (108) | 1-1/8 (29) | 41, 43, 45, 49 | 35A, 37A, 40A |
| 2000 (7571) | 12 | 24DC | 7.5 | 4.0@24V | 6.0@27.2V | Model 278 | 6 (152) | 4.25 (108) | 1-1/8 (29) | 42, 44, 45, 49 | 35A, 37A, 40A |
| 2000 (7571) | 11 | 32DC | 6 | 3.1@32V | 5.0@36.3V | Model 278 | 6 (152) | 4.25 (108) | 1-1/8 (29) | – | 35A, 37A, 40A |
| 2000 (7571) | 10-6UL | 12DC | 15 | 7.3 | 8.6 | Model 278 | 6 (152) | 4.25 (108) | 1-1/8 (29) | 41, 43, 45, 49 | 35A, 37A, 40A |
| 2000 (7571) | 10 | 12DC | 15 | 7.3 | 8.6 | Model 278 | 6 (152) | 4.25 (108) | 1-1/8 (29) | 41, 43, 45, 49 | 35A, 37A, 40A |
| 2000 (7571) | 09 | 12DC | 15 | 7.3 | 8.6 | Model 278 | 6 (152) | 4.25 (108) | 1-1/8 (29) | 41, 43, 45, 49 | 35A, 37A, 40A |
| 3700 (14010) | 15A | 32DC | 10 | 5.0@32V | 7.5@36.3V | Model 279 | 7.25 (184) | 4.9 (124) | 1-1/2 (38) | – | 37A, 40A |
| 3700 (14010) | 16A | 24DC | 15 | 6.9@24V | 10@27.2V | Model 279 | 7.25 (184) | 4.9 (124) | 1-1/2 (38) | 42, 44, 45, 49 | 37A, 40A |
| 3700 (14010) | 14A-6UL | 12DC | 25 | 10.1 | 12.2 | Model 279 | 7.25 (184) | 4.9 (124) | 1-1/2 (38) | 41, 43, 45, 49 | 37A, 40A |
| 3700 (14010) | 14A | 12DC | 25 | 10.1 | 12.2 | Model 279 | 7.25 (184) | 4.9 (124) | 1-1/2 (38) | 41, 43, 45, 49 | 37A, 40A |
| 3700 (14010) | 13A | 12DC | 25 | 10.1 | 12.2 | Model 279 | 7.25 (184) | 4.9 (124) | 1-1/2 (38) | 41, 43, 45, 49 | 37A, 40A |
| 4000 (15140) | 56D-32 | 32DC | 10 | 5.0@32V | 7.5@36.3V | Model 279 | 7.75 (196.8) | 4.75 (121) | 2 (51) | – | 37A, 40A |
| 4000 (15140) | 56D-24 | 24DC | 15 | 6.9@24V | 10@27.2V | Model 279 | 7.75 (196.8) | 4.75 (121) | 2 (51) | 42, 44, 45, 49 | 37A, 40A |
| 4000 (15140) | 56D | 12DC | 25 | 10.2 | 12.1 | Model 279 | 7.75 (196.8) | 4.75 (121) | 2 (51) | 41, 43, 45, 49 | 37A, 40A |

02 Bilge Pumping Systems

ELECTRIC SUBMERSIBLE PUMPS



Electronic Sensing Bilge Pumps

Electronic sensing operation on the principle of impeller resistance. Float switches are not required.

The pump will turn on every 2-1/2 minutes for about one second to sense for water. If water is present, the pump will sense resistance and continue to run until all water is removed. Thereafter, it will check for water every 2-1/2 minutes. Power use in the checking mode is minimal.



FEATURES AND BENEFITS

- No external switch.
- Pump operates automatically by sensing for water.
- Pump turns on every 2-1/2 minutes to feel for water. When water is encountered, the pump remains on until water is removed and then the pump shuts down. Thereafter, it reverts to a 2-1/2 minute sensing mode.
- Sizes: 500, 800, 1100, 1500, 2000, 3700 and 4000 in 12 and 24 volt versions.
- Limited three-year warranty.

Rule-Mate Automated Bilge Pumps

No float switch required. The Rule-Mate series of bilge pumps features a solid state water sensing technology that eliminates the need for a separate float switch.

When water enters the bilge and reaches a certain height, 2-3/4" (70mm), a sensor turns the pump on. After the water is pumped out, another sensor shuts the pump off. The sensors' unique "field effect" technology is eco-friendly because they only sense the dielectric constant of water. In the event of an onboard oil spill, straight motor oil that enters the bilge will not turn the pump on. Please note that this is **not** an oil overspill system or a safety measure device.

FEATURES AND BENEFITS

- All-in-one pump and switch – no float switch required.
- Pump turns on when water level rises and shuts off when water is removed.
- Will not pump oil – straight motor oil that enters the bilge will not turn the pump on.
- Snap-off strainer for easy cleaning.
- Anti-fouling impeller.
- The new Rule-Mates are available in 500, 750, 1100, 1500 and 2000 GPH (1893, 2839, 4164, 5678 and 7571 LPH) models in 12 and 24 volt versions.
- Limited three-year warranty.



RM2000A

ELECTRONIC SENSING SERIES BILGE PUMPS

| CAPACITY GPH (LPH) | MODEL NUMBER | VOLTS | FUSE SIZE | AMPS @12V | AMPS @13.6V | REPLACEMENT STRAINER | HEIGHT INCHES (mm) | WIDTH INCHES (mm) | HOSE DIAMETER INCHES (mm) | PANEL SWITCHES |
|--------------------|------------------|-------|-----------|-----------|-------------|----------------------|--------------------|-------------------|---------------------------|----------------|
| 500 (1893) | 25S-6 (6' wires) | 12DC | 2.5 | 1.9 | 2.5 | Model 275 | 4 (102) | 2.4 (60) | 3/4 (19) | 41, 43, 45 |
| 500 (1893) | 25S | 12DC | 2.5 | 1.9 | 2.5 | Model 275 | 4 (102) | 2.4 (60) | 3/4 (19) | 41, 43, 46 |
| 500 (1893) | 25S-24 | 24DC | 1.5 | 0.9@24V | 1.3@27.2V | Model 275 | 4 (102) | 2.4 (60) | 3/4 (19) | 41, 43, 47 |
| 800 (3028) | 20RS | 12DC | 5 | 3.7 | 4.3 | Model 275 | 4.25 (108) | 2.4 (60) | 3/4 (19) | 41, 43, 45 |
| 1100 (4164) | 27S | 12DC | 6 | 2.8 | 3.4 | Model 275 | 4.25 (108) | 2.4 (60) | 1-1/8 (29) | 41, 43, 45 |
| 1500 (5678) | 51S | 12DC | 10 | 4.8 | 7 | Model 286 | 7.75 (196.8) | 4.75 (121) | 1-1/8 (29) | 41, 43, 45 |
| 2000 (7571) | 53S | 12DC | 15 | 8.4 | 12 | Model 278 | 7.75 (196.8) | 4.75 (121) | 1-1/8 (29) | 41, 43, 45 |
| 3700 (14010) | 55S | 12DC | 25 | 15.5 | 20 | Model 279 | 8.25 (209.5) | 4.9 (124) | 1-1/2 (38) | 41, 43, 45 |
| 4000 (15140) | 56S | 12DC | 25 | 15.5 | 20 | Model 279 | 9.25 (235) | 4.9 (124) | 2 (51) | 41, 43, 45 |

RULE-MATE AUTOMATED BILGE PUMPS

| CAPACITY GPH (LPH) | MODEL NUMBER | VOLTS | FUSE SIZE | AMPS @12V | AMPS @13.6V | REPLACEMENT STRAINER | HEIGHT INCHES (mm) | WIDTH INCHES (mm) | HOSE DIAMETER INCHES (mm) | PANEL SWITCHES |
|--------------------|--------------|-------|-----------|-----------|-------------|----------------------|--------------------|-------------------|---------------------------|----------------|
| 500 (1893) | RM500A | 12DC | 3 | 2 | 2.2 | Model 1000864-26 | 4.5 (114) | 6 (152) | 3/4 (19) | 41, 43, 45 |
| 500 (1893) | RM500A-24 | 24DC | 1.5 | 1.0@24V | 1.3@27.2V | Model 1000864-26 | 4.5 (114) | 6 (152) | 3/4 (19) | 42, 44, 45 |
| 750 (2839) | RM750A | 12DC | 5 | 2.8 | 3.1 | Model 1000864-26 | 4.5 (114) | 6 (152) | 3/4 (19) | 41, 43, 45 |
| 750 (2839) | RM750A-24 | 24DC | 3 | 1.4@24V | 2.0@27.2V | Model 1000864-26 | 4.5 (114) | 6 (152) | 3/4 (19) | 42, 44, 45 |
| 1100 (4164) | RM1100A | 12DC | 5 | 3.4 | 4 | Model 1000864-26 | 4.5 (114) | 6 (152) | 1-1/8 (29) | 41, 43, 45 |
| 1100 (4164) | RM1100A-24 | 24DC | 3 | 1.4@24V | 2.0@27.2V | Model 1000864-26 | 4.5 (114) | 6 (152) | 1-1/8 (29) | 42, 44, 45 |
| 1500 (5678) | RM1500A | 12DC | 10 | 4.8 | 7 | Model 286 | 6 (152) | 7.25 (185) | 1-1/8 (29) | 41, 43, 45 |
| 2000 (7571) | RM2000A | 12DC | 15 | 12 | 12 | Model 286 | 6 (152) | 7.25 (185) | 1-1/8 (29) | 41, 43, 45 |
| 2000 (7571) | RM2000A-24 | 24DC | 7.5 | 4.0@24V | 6.0@27.2V | Model 286 | 6 (152) | 7.25 (185) | 1-1/8 (29) | 41, 43, 45 |

LoPro Bilge Pumps

LOW PROFILE BILGE PUMPS FOR TIGHT SPACES

Designed to bring pumping power to tight spaces, Rule's LoPro Series Bilge Pumps are only 2.4" (6cm) high. The LP900S model features two automated modes. The first one engages the pump when the water level reaches 2" (5cm) or 1.3" (3.25cm) (user choice); and the second one checks for water by briefly turning on the pump every 2-1/2 minutes. The LP900D model uses a traditional float and/or panel switch for operation.

FEATURES AND BENEFITS

- Multiple modes of operation. The LP900S features two automated modes of operation.
- High or low water sensing mode. The pump starts when water reaches 2" (5cm). By turning the motor cartridge upside down, the sensor is at 1.3" (3.25cm).
- Electronic automatic mode. The pump automatically turns on every 2-1/2 minutes to check for water, and if it's detected, the pump stays on until the water is gone.
- Fully rotating discharge body. The entire body swivels up to 180°, making for an easy plumbing installation.
- Threaded discharge nozzle. Multiple ports are available for this pump: 3/4" (19mm) straight, 3/4" (19mm) right angle, 1" (25mm) and 1-1/8" (28mm).
- All ports are included in the aftermarket package.
- New tricuspid check valves help prevent backflow.
- Horizontal or vertical mounting. The LP900S and LP900D feature a variety of mounting options to accommodate a boat's bilge.



LP900S



LP900D

| CAPACITY GPH (LPH) | MODEL NUMBER | VOLTS | AMPS @12V | AMPS @13.6V | FUSE SIZE | HEIGHT INCHES (mm) | WIDTH INCHES (mm) | LENGTH INCHES (mm) | HOSE DIAMETER INCHES (mm) | PANEL SWITCHES | FLOAT SWITCHES |
|-----------------------|-----------------|-------|--------------|----------------|--------------|-----------------------|----------------------|-----------------------|---------------------------------|-------------------|-------------------|
| Automatic | | | | | | | | | | | |
| 900 (3407) | LP900S | 12DC | 4 | 5.2 | 7.5 | 2.4 (60) | 2.4 (60) | 9 (228) | Multiple | 42, 44, 45 | – |
| Standard | | | | | | | | | | | |
| 900 (3407) | LP900D | 12DC | 4 | 5.2 | 7.5 | 2.4 (60) | 2.4 (60) | 7.12 (180) | Multiple | 43, 45 | 35A, 37A, 40A |



02 Bilge Pumping Systems

BILGE PUMP CONTROL & PANEL SWITCHES



SuperSwitch™ Float Switch



37A

Backed by a five-year warranty, the non-mercury SuperSwitch™ is designed for the toughest applications. Design includes marine-grade, 14 gauge blocked wire, a larger float for increased buoyancy, removable base for easy servicing and a snap switch design capable of handling pumps drawing up to 20 amps at 12 volt DC. Models 37A and 37FA include a five-year warranty.

Rule-A-Matic® Plus™ Float Switch



40A

Sleek and rugged, the Rule-a-Matic® Plus™ Float Switch has a strong, fully integrated and impact-resistant cover, which protects against debris and jamming. Design includes 14 gauge highly abrasive-resistant, marine-grade wire and a built-in test feature. Designed for pumps drawing up to 20 amps at 12 volt DC. Models 40A and 40FA include a two-year warranty.

Rule-A-Matic® Float Switch



35A

Year after year, the Rule-a-Matic® has been the switch of choice for boaters the world over. Our latest design now includes a removable base for easy cleaning and servicing, a mercury-free snap switch tested to over one million cycles and marine-grade blocked wire. Designed for pumps drawing up to 14 amps at 12 volt DC. Models 35A and 35FA include a two-year warranty.

ECO-Switch



39

The Rule ECO-Switch is an ecologically sound automatic bilge pump control switch. Featuring a non-mercury design, the pump operates with simple air pressure. As water rises in the bilge, air rises in the air tube that is attached to the switch. The air pressure activates the switch which controls your pump. All wiring is out of the water, and there are no submerged electrical connections at all. Offering complete reliability and outstanding performance, the Rule ECO-Switch offers a viable alternative to traditional float switches. For pumps drawing up to 20 amps.

| MODEL NUMBER | DESCRIPTION | VOLTS (DC) | MAX AMPS (DC) | WIRE GAUGE | SIZE (HEIGHT X LENGTH X WIDTH) INCHES (mm) |
|--------------|---|------------|----------------------------------|------------|--|
| 35A | Rule-a-Matic® | 12, 24 | 14A (12V), 7A (24V) | 16 AWG | 2-1/4 x 5 x 1-3/4 (57 x 127 x 58) |
| 35FA | Rule-a-Matic® with in-line fuse holder | 12, 24 | 14A (12V), 7A (24V) | | |
| 37A | SuperSwitch™ | 12, 24, 32 | 20A (12V), 10A (24V), 6.5A (32V) | 14 AWG | 2-1/4 x 5 x 2 (57 x 127 x 51) |
| 37FA | SuperSwitch™ with in-line fuse holder | 12, 24, 32 | 20A (12V), 10A (24V), 6.5A (32V) | | |
| 40A | Rule-a-Matic® Plus™ with shield | 12, 24, 32 | 20A (12V), 10A (24V), 6.5A (32V) | 14 AWG | 3 x 5-3/8 x 2-1/2 (76 x 137 x 64) |
| 40FA | Rule-a-Matic® Plus™ with shield and in-line fuse holder | 12, 24, 32 | 20A (12V), 10A (24V), 6.5A (32V) | | |
| 39 | ECO-Switch 12 volt | 12 | 20A | 14 AWG | 1-7/8 x 6 x 2-3/4 (48 x 152 x 70) |
| 39-24 | ECO-Switch 24 volt | 24 | 10A | | |

3-Way Panel Lighted Switch

Model
41/42



For use with any automatically controlled pump. Toggle has three positions (automatic, off or manual) and a "fail-safe" spring return to "off" from the "manual" position. Panel is black stainless steel with a red indicator light and fuse holder.

3-Way Panel Switch

Model 45



Similar to the Lighted Panel Switch, but without the indicator light or fuse holder. The "manual" position has a "fail-safe" spring return to "off" so you can't leave your pump running by accident. Black stainless steel panel.

3-Way Panel with Lighted Rocker Switch

Model
43/44



For use with any automatically controlled pump. This unit features a black plastic panel, a built-in fuse holder, an internally lighted rocker switch with three positions (automatic, off or manual) and the Rule "fail-safe" spring return to "off" from the "manual" position.

2-Way Panel Switch

Model 49



Attractive black stainless steel panel highlights your control panel. Simple "on" and "off" toggle provides fingertip control.

| MODEL NUMBER | DESCRIPTION | VOLTS (DC) | MAX AMPS (DC) | SIZE (WIDTH X HEIGHT), INCHES (mm) |
|--------------|-------------------------------------|------------|-------------------------|------------------------------------|
| 41 | 3-Way Panel Switch – Lighted | 12 | 20 | 3-1/4 x 2 (83 x 51) |
| 42 | 3-Way Panel Switch – Lighted | 24, 32 | 10@24V, 6.5@32V | 3-1/4 x 2 (83 x 51) |
| 45 | 3-Way Panel Switch | 12, 24, 32 | 20@12V, 10@24V, 6.5@32V | 2-1/4 x 2 (57 x 51) |
| 43 | 3-Way Rocker Panel Switch – Lighted | 12 | 20 | 2-7/8 x 2-3/8 (73 x 60) |
| 44 | 3-Way Rocker Panel Switch – Lighted | 24 | 10 | 2-7/8 x 2-3/8 (73 x 60) |
| 49 | 2-Way Panel Switch | 12, 24, 32 | 20@12V, 10@24V, 6.5@32V | 2-1/4 x 2 (57 x 51) |

02 Bilge Pumping Systems

GENERAL PURPOSE PUMPS



Shower Drain

A compact, full-capacity shower drain system. Automatically turns on after the water starts and shuts off when the water is removed. Activated by a non-mercury Rule-a-Matic® Plus™ Float Switch. Available with one or three inlet ports which offer varying combinations of inlet hose. Other features include a clear screw-down cover, a removable strainer for easy cleaning and an internal check valve to prevent back flow.



| CAPACITY GPH (LPH) | MODEL NUMBER | VOLTS | FUSE SIZE | AMPS | HEIGHT INCHES (mm) | WIDTH INCHES (mm) | LENGTH INCHES (mm) | DISCHARGE INCHES (mm) | INTAKE FITTINGS INCHES (mm) |
|-----------------------|-----------------|-------|-----------|---------|--------------------------|-------------------------|--------------------------|-----------------------------|--|
| 800 (3028) | 98A | 12DC | 5 | 2.8@12V | 5.25 (140) | 8.25 (210) | 11.25 (241) | 3/4 (19) | 3/4 (19), 3/4 x 1 (19 x 25) Stepped, 1-1/8 x 1-1/2 (29 x 38) Stepped |
| 800 (3028) | 98A-24 | 24DC | 2.5 | 1.3@24V | 5.25 (140) | 8.25 (210) | 11.25 (241) | 3/4 (19) | 3/4 (19), 3/4 x 1 (19 x 25) Stepped, 1-1/8 x 1-1/2 (29 x 38) Stepped |

General Purpose Centrifugal Pumps

The Rule General Purpose Pump is designed for use as a washdown pump and/or to circulate water to your livewell tanks. Heavy-duty construction for commercial or pleasure boat use. 1-1/2" (38mm) inlet and 1-1/2" (38mm) discharge outlet. The Rule General Purpose Pump must be mounted below the waterline. It does not deliver high pressure, nor is it self-priming, but it delivers lots of water.



| CAPACITY GPH (LPH) | MODEL NUMBER | VOLTS | FUSE SIZE | AMPS | HEIGHT INCHES (mm) | WIDTH INCHES (mm) | LENGTH INCHES (mm) | DISCHARGE INCHES (mm) | INTAKE INCHES (mm) |
|-----------------------|-----------------|-------|-----------|----------|--------------------------|-------------------------|--------------------------|-----------------------------|-----------------------|
| 3800 (14380) | 17A | 12DC | 25 | 15.5@12V | 5.5 (140) | 6.5 (165) | 8.5 (216) | 1.5 (38) | 1.5 (38) |
| 3700 (14002) | 18A | 24DC | 15 | 6.9@24V | 5.5 (140) | 6.5 (165) | 8.5 (216) | 1.5 (38) | 1.5 (38) |
| 3700 (14002) | 19A | 32DC | 10 | 5.0@32V | 5.5 (140) | 6.5 (165) | 8.5 (216) | 1.5 (38) | 1.5 (38) |

High-Water Bilge Alarms

The High-Water Bilge Alarm consists of a float switch and an in-dash gauge that features both a visual and audible 85 db alarm. This unit allows an unmanned compartment to be constantly monitored. For additional compartments, add additional Rule Float Switches. Complies with CFR 182.530, which requires a visual and audible alarm in each unmanned space on commercial vessels at least 26' (7.9m) in length.



| | |
|----------------|--|
| SIZE | 2-1/4" x 5" x 2-1/64" (5.7 x 12.7 x 5.1cm) |
| AMP | For use with pumps with a current draw of up to 20 amps @ 12 volts |
| VOLTAGE | 12V DC-32V DC |

| MODEL | DESCRIPTION |
|--------|-------------|
| 33ALA | 12V DC |
| 32ALA | 24V DC |
| 31ALA | 32V DC |
| M-1507 | Alarm only |

Portable Pumps

Constructed of sturdy ABS plastic with a comfort-grip handle providing smooth, firm strokes. Available in 24" (61cm) with hose and 48" (122cm) with hose.



| MODEL | CAPACITY GPH (LPH) | ID HOSE SIZE | SIZE |
|-------|--------------------|---------------|---|
| 165 | 8 (30) | 1-1/8" (29mm) | 24" (61cm) with 2' (0.6m) of 1-1/8" (29mm) hose |
| 168 | 10 (38) | 1-1/8" (29mm) | 36" (91cm) with 4' (1.2m) of 1-1/8" (29mm) hose |

02 Bilge Pumping Systems

JABSCO & RULE ACCESSORIES



Corrugated White Polyethylene Bilge Hoses



All Rule hoses are designed for use with Rule pumps. Sizes up to and including 1-1/2" (38mm) diameter have smooth mounting cuffs every 12" (305mm). Flexible for easy installation and resistant to detergents, oil, gasoline, diesel fuel and salt water.

| MODEL | DESCRIPTION |
|-------|---|
| 80 | 1-1/8" (29mm) ID hose in 100' (31m) lengths |
| 81 | 3/4" (19mm) ID hose in 100' (31m) lengths |
| 88 | 1-1/2" (38mm) ID hose in 100' (31m) lengths |
| 90 | 2" (51mm) ID hose in 50' (15m) lengths |

Through Hull Fittings



High-impact plastic will not rust, corrode or discolor. Specially designed for Rule pumps.

| MODEL | DESCRIPTION |
|-------|-------------------------|
| 59 | 1-1/2" (38mm) straight |
| 60 | 1-1/8" (29mm) straight |
| 61S | 3/4" (19mm) straight |
| 61 | 3/4" (19mm) right angle |
| 62 | 5/8" (16mm) right angle |

Deluxe PVC Ribbed Bilge Hose



Clear ribbed bilge hose. Smooth inside finish improves pump performance. Rigid helix provides excellent abrasion resistance.

| MODEL | DESCRIPTION |
|-------|---|
| 82 | 3/4" (19mm) ID hose in 100' (31m) lengths |
| 83 | 1-1/8" (29mm) ID hose in 100' (31m) lengths |
| 84 | 1-1/2" (38mm) ID hose in 100' (31m) lengths |

Adapters



90° elbow adapters are designed for rigid pipe installations of sump and utility pumps. Adapters snap onto discharge port. Opposite end is female pipe threaded. High-impact plastic will not rust, corrode or discolor. Garden hose adapter snaps onto discharge port, converting pump into standard garden hose fitting.

| MODEL | DESCRIPTION |
|-------|--|
| 57 | Adapts 1800 GPH (6814 LPH) pump to 1" (25mm) NPT. Fits 1-1/8" (29mm) discharge. |
| 67 | Hose adapter – 1-1/2" (38mm) outlet to 1-1/8" (29mm) hose. Fits 1-1/2" (38mm) discharge. |
| 68 | Garden hose adapter – 1-1/8" (29mm) outlet to standard garden hose fitting. Fits 1-1/8" (29mm) discharge. |
| 69 | Double-stepped straight adapts 1-1/8" (29mm) outlet to 3/4" (19mm) or 5/8" (16mm) ID hose. Fits inside 1-1/8" (29mm) discharge. Not suitable for use with Rule-Mate pumps. |

Replacement Strainer Bases



Original replacement strainer base for your Rule Bilge Pump.

| MODEL | DESCRIPTION |
|------------|---|
| 275 | Round Rule pumps, 360 to 1100 GPH |
| 276 | Black Strainer Base for above models |
| 277 | Square Rule bilge pumps |
| 278 | Round Rule pumps, 1500 to 2000 GPH |
| 279 | Round Rule pumps, 2800 to 3700 GPH |
| 1000864-26 | Rule-Mate Bilge Pumps, 500 to 1100 GPH – Fits 2009 to current models |
| 286 | Rule-Mate Bilge Pumps, 1500 to 2000 GPH |
| 99A | Plastic strainer with side-mounting steel bracket for Rule-Mate 500 to 1100 GPH |
| 70 | Stainless Steel Debris Strainer – Fits Rule pumps up to 3700 GPH |

Side Mount Bracket

Permits small Rule bilge pumps to be side mounted to a vertical stringer, bulkhead or transom. Use this bracket when bottom mounting is inconvenient or impossible. Simply remove the strainer from the pump, put the bracket in place and reassemble.



| MODEL | DESCRIPTION |
|-------|------------------------------|
| 66 | Round pumps, 360 to 1100 GPH |

3-Way Fittings



Rule offers convenient "T" and "Y" fittings in popular hose sizes.

| MODEL | DESCRIPTION |
|-------|-------------------------------|
| 212 | Y Fitting, 3/4" (19mm) hose |
| 213 | Y Fitting, 1-1/8" (29mm) hose |
| 215 | T Fitting, 3/4" (19mm) hose |
| 216 | T Fitting, 1-1/8" (29mm) hose |

Vented Loops

For use in bilge pump installations to prevent siphoning of water back into boat from through hull. Duckbill one-way valve system incorporated in the top of the loop allows air to enter the line when not in use, yet effectively seals as water passes through.



| MODEL | DESCRIPTION |
|-------|---------------------------|
| 260 | 3/4" (19mm) Vented Loop |
| 261 | 1-1/8" (29mm) Vented Loop |

Shower Drain Check Valve



| MODEL | DESCRIPTION |
|--------|----------------------------------|
| M-1086 | Check valve for shower drain box |

02 Bilge Pumping Systems

AMAZON MANUAL DIAPHRAGM PUMPS

JABSCO

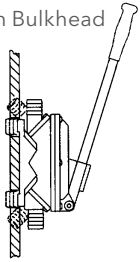
Amazon Bulkhead

For mounting on bulkhead or deck.

- Repositionable ports and body offer an amazing 96 assembly variations.
- Corrosion-resistant materials throughout.
- Stainless steel handle supplied with mounting.

MOUNTING POSITION

On Bulkhead



Port Positions



| | |
|---------------------|--|
| FLOW | 12 GPM (45 LPM) |
| SELF-PRIMING | Up to 13' (4m) |
| FITTING | Connections for 1" (25mm) ID hose |
| SIZE | 7" wide x 4-3/4" high x 8" deep (18cm x 12cm x 20cm) |
| WEIGHT | 1.4lb (0.6kg) |

| MODEL | DESCRIPTION |
|------------|--------------------------------------|
| 29240-0000 | Bulkhead Pump with detachable handle |
| 29246-1000 | Service Kit |

For service and spare parts listing, see page 244.

Bilge Strainers

Stop bilge debris from blocking inlet suction hose and reduce the risk of debris entering and blocking the pump.

- Non-return valve fitted to stop bilge water draining back when pumping stops.
- Repositionable ports allow horizontal, vertical or sideways hose attachments.
- Easily removable strainer plate for cleaning.
- Corrosion-resistant materials throughout.



| | |
|----------------|---|
| FITTING | Connections for 3/4", 1" or 1-1/2" (19mm, 25mm or 38mm) ID hose |
| SIZE | 6-3/4" long x 2-3/4" wide x 2-1/2" high (17cm x 7.2cm x 6cm) |
| WEIGHT | 0.25lb (0.1kg) |

| MODEL | DESCRIPTION |
|------------|--|
| 29290-1020 | Bilge Strainer for 3/4" (19mm) ID hose |
| 29290-1000 | Bilge Strainer for 1" (25mm) ID hose |
| 29290-1010 | Bilge Strainer for 1-1/2" (38mm) ID hose |

Amazon Universal

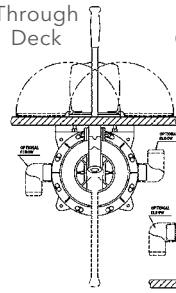
For mounting on bulkhead, through bulkhead, on deck or through deck.

- Unique safety feature allows operation from both inside and outside the cabin (with optional Through Deck Kit).
- Push-fit inlet and outlet elbows swivel through 360° to increase flexibility of installation still further.
- Corrosion-resistant materials throughout.
- Quick-release clamp ring gives fast access for blockage clearance.
- 1-1/2" (38mm) ports give excellent solids-handling ability for use with holding tanks.
- Stainless steel handle supplied with mounting clips and provision for safety lanyard.

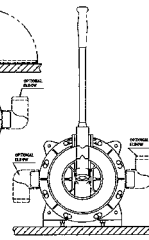


MOUNTING POSITION

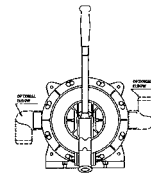
Through Deck



On Deck



On Bulkhead



| | |
|---------------------|--|
| FLOW | 25 GPM (100 LPM) |
| SELF-PRIMING | Up to 10' (3m) |
| FITTING | Connections for 1-1/2" (38mm) ID hose |
| SIZE | 9-1/2" wide x 9-1/2" high x 6" deep (24cm x 24cm x 15cm) |
| WEIGHT | 2.9lb (1.2kg) |

| MODEL | DESCRIPTION |
|------------|--|
| 29270-0000 | Universal Pump with detachable handle and one Push-Fit Elbow |
| 29279-0000 | Optional Through Deck Kit |
| 29266-1000 | Additional Push-Fit Elbow |
| 29276-1000 | Service Kit |

For service and spare parts listing, see page 245.

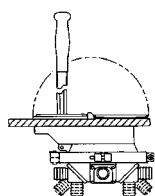
Amazon Thrudeck

For mounting through deck or through bulkhead.

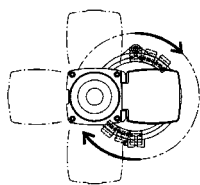
- The ultimate compact through deck pump with no less than 16 port variations relative to the body.
- Loosening just one screw lets you clear blockages or position the body anywhere through 360° relative to the handle position.
- Compact design and low profile allow installation in confined spaces.
- Sleekly styled Through Deck Kit and cover, with four mounting positions relative to the pump.
- Excellent solids-handling ability for use with holding tanks.
- Corrosion-resistant materials throughout.
- Stainless steel handle supplied with mounting clips and provision for safety lanyard.

MOUNTING POSITION

Through Deck



360° Rotation



| | |
|---------------------|--|
| FLOW | 13 GPM (50 LPM) |
| SELF-PRIMING | Up to 16' (5m) |
| FITTING | Connections for 1-1/2" (38mm) ID hose |
| SIZE | 10" long x 4-5/16" wide x 4-1/2" deep (25cm x 11cm x 12cm) |
| WEIGHT | 2.5lb (1.2kg) |

| MODEL | DESCRIPTION |
|------------|---|
| 29250-0000 | 1" (25mm) Thrudeck Pump with detachable handle and Through Deck Kit |
| 29250-0010 | 1-1/2" (38mm) Thrudeck Pump with detachable handle and Through Deck Kit |
| 29256-1000 | Service Kit |

For service and spare parts listing, see page 244.

In-Line Non-Return Valves

Non-return valves fit in a pump's suction hose to aid priming and prevent backflow of water into the bilges.

- Available for three hose sizes – 3/4", 1" and 1-1/2" (19mm, 25mm and 38mm).
- Simply fit into suction hose.
- Corrosion-resistant materials throughout.



| | |
|----------------|---|
| FITTING | Connections for 3/4", 1" or 1-1/2" (19mm, 25mm or 38mm) ID hose |
| SIZE | 4-1/4" long x 2-1/8" wide x 2" high (10.8cm x 5.5cm x 5cm) |
| WEIGHT | 0.25lb (0.1kg) |

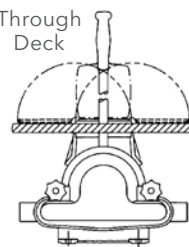
Amazon Warrior

For mounting on deck or through deck (with optional Through Deck Kit and Bracket).

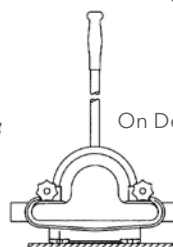
- Robust design particularly suited to workboats and larger leisure craft, or any installation where particularly heavy-duty use is anticipated.
- 29280-0100 model with swivel arms and captive wheel nuts meets DTI requirements for use on lifeboats.
- 18" (45cm) handle assists sustained high outputs of up to 35 GPM (135 LPM).
- Double diaphragm design gives maximum efficiency and added safety.
- 1-1/2" (38mm) ports give large solids-handling ability.
- Can function on one diaphragm in an emergency.
- Corrosion-resistant materials throughout.

MOUNTING POSITION

Through Deck



On Deck



| | |
|---------------------|---|
| FLOW | 35 GPM (135 LPM) |
| SELF-PRIMING | Up to 17.5' (5.5m) |
| FITTING | Connections for 1-1/2" (38mm) ID hose |
| SIZE | 14" wide x 9-1/2" high x 8" deep (35.5cm x 24cm x 20cm) |
| WEIGHT | 11lb (4.95kg) |

| MODEL | DESCRIPTION |
|------------|---|
| 29280-0000 | Warrior Pump with detachable handle |
| 29280-0100 | Warrior Pump, lifeboat version |
| 29279-0000 | Optional Through Deck Kit |
| 29289-0000 | Under Deck Bracket (required for use with Through Deck Kit) |
| 29286-1000 | Service Kit |

For service and spare parts listing, see page 245.

| MODEL | DESCRIPTION |
|------------|--|
| 29295-1011 | In-Line Non-Return Valve for 3/4" (19mm) ID hose |
| 29295-1000 | In-Line Non-Return Valve for 1" (25mm) ID hose |
| 29295-1010 | In-Line Non-Return Valve for 1-1/2" (38mm) ID hose |

02 Bilge Pumping Systems

ELECTRIC DIAPHRAGM PUMPS



50880 Series Bilge Pump

Robust diaphragm pump suitable for bilge applications with a multi-positional pump head.

- 4.2 GPM (16 LPM) open flow output at 3' (1m) head.
- Allows mounting above wet bilges.
- Flexible installation.
- Compact and simple design.
- Filter-less.
- Quiet running.
- Capable of extensive dry running.
- Corrosion-resistant parts.
- Complies with USCG 183.410 and ISO 8846 MARINE (Ignition Protection).
- ISO 8849 MARINE (Bilge Pump Standard).



| | |
|---------------------|---|
| FLOW | 4.2 GPM (16 LPM) |
| SELF-PRIMING | Up to 10' (3m) vertical lift |
| FITTING | Connections for 3/4" and 1" (19mm and 25mm) ID hose |
| SIZE | 11.7" long x 5.9" wide x 4.4" high (29.7cm x 15cm x 11cm) |
| WEIGHT | 6lb (2.7kg) |

| MODEL | DESCRIPTION |
|------------|---------------------------|
| 50880-1000 | 12V DC model, fuse 10 amp |
| 50880-1100 | 24V DC model, fuse 5 amp |
| SK880 | Service Kit |

For service and spare parts listing, see page 231.

PAR 36680

Fully serviceable, bilge and deck wash pump.

- Allows mounting above wet bilges.
- Diaphragm design allows extended dry running.
- Complete with Pumpgard™ strainer.
- Complies with USCG 183.410 and ISO 8846 MARINE (Ignition Protection).
- ISO 8849 MARINE (Bilge Pump Standard).



| | |
|---------------------|--|
| FLOW | 5.5 GPM (21 LPM) |
| SELF-PRIMING | Up to 7' (2m) vertical lift |
| FITTING | Connections for 3/4" (19mm) ID hose |
| SIZE | 7-5/8" long x 6-1/2" wide x 8-1/2" high (19.4cm x 16.5cm x 21.6cm) |
| WEIGHT | 8lb (6kg) |

| MODEL | DESCRIPTION |
|------------|-------------------------------------|
| 36680-2000 | 12V DC model, fuse 10 amp |
| 36680-2010 | 24V DC model, fuse 6 amp |
| 43990-0062 | Service Kit (new -2XXX models only) |

For service and spare parts listing, see page 233.

PAR 36600

Fully serviceable, bilge pump.

- Allows mounting above wet bilges.
- Diaphragm design allows extended dry running.
- Complete with Pumpgard™ strainer.
- Complies with USCG 183.410 and ISO 8846 MARINE (Ignition Protection).
- ISO 8849 MARINE (Bilge Pump Standard).



| | |
|---------------------|--|
| FLOW | 7.9 GPM (30 LPM) |
| SELF-PRIMING | Up to 10' (3m) vertical lift |
| FITTING | Connections for 3/4" (19mm) ID hose |
| SIZE | 8-5/8" long x 5-7/8" wide x 8-1/4" high (22cm x 15cm x 21cm) |
| WEIGHT | 11lb (5kg) |

| MODEL | DESCRIPTION |
|------------|---------------------------|
| 36600-0000 | 12V DC model, fuse 15 amp |
| 36600-0010 | 24V DC model, fuse 8 amp |
| 30124-0000 | Service Kit |

For service and spare parts listing, see page 232.

31705 Series

- Self-priming up to 10' (3m).
- Run dry without damage.
- Smooth flow.
- Four piston, diaphragm pump.
- Powerful motor with thermal overload protection.
- Snap-in port fittings.



| | |
|---------------------|---|
| FLOW | 4.3 GPM (16.3 LPM) |
| SELF-PRIMING | Up to 10' (3m) vertical lift |
| FITTING | Connections for 3/4" (19mm) ID hose |
| SIZE | 7.73" long x 4.19" wide x 3.5" high (19.6cm x 10.6cm x 8.9cm) |
| WEIGHT | 6.5lb (3kg) |

| MODEL | DESCRIPTION |
|------------|---------------------------|
| 31705-0092 | 12V DC model, fuse 15 amp |
| 31705-0094 | 24V DC model, fuse 10 amp |

For service and spare parts listing, see page 242.

31610 Series

- Self-priming up to 10' (3m).
- Run dry without damage.
- Smooth flow.
- Four piston, diaphragm pump.
- Powerful motor with thermal overload protection.
- Snap-in port fittings.



| | |
|---------------------|---|
| FLOW | 3.5 GPM (13.2 LPM) |
| SELF-PRIMING | Up to 10' (3m) vertical lift |
| FITTING | Connections for 3/4" (19mm) ID hose |
| SIZE | 7.73" long x 4.19" wide x 4.25" high (19.6cm x 10.6cm x 10.8cm) |
| WEIGHT | 5lb (2.1kg) |

| MODEL | DESCRIPTION |
|------------|---------------------------|
| 31610-0092 | 12V DC model, fuse 10 amp |
| 31610-0094 | 24V DC model, fuse 7 amp |

For service and spare parts listing, see page 242.

Bilge Pumpgard™ Strainer

- Strainer protects all electric diaphragm bilge pumps.
- Prevents unnecessary pump breakdowns caused by particles in the water.
- Transparent housing allows instant inspection.
- 46200-0000 model installs in-line between bilge pickup and pump.
- Quick, in-place cleaning of the 20# mesh stainless steel screen.



| | |
|----------------|--|
| FITTING | Connections for 3/4" (19mm) ID hose |
| SIZE | 4-3/4" long x 2-3/4" wide x 2-1/2" high (12cm x 7cm x 6cm) |
| WEIGHT | 0.5lb (0.2kg) |

| MODEL | DESCRIPTION |
|------------|-----------------------------------|
| 46200-0000 | Model for 3/4" (19mm) ID hose |
| 46200-0010 | 3/4" (19mm) ID hose x plug-in 90° |
| 18753-0020 | Replacement 20# Mesh Filter |

For service and spare parts listing, see page 230.

02 Bilge Pumping Systems

ELECTRIC FLEXIBLE IMPELLER PUMPS



Water Puppy

Continuously rated duty bilge/sump pump.

- 6.33 GPM (23.83 LPM) output at 10' (3m) total head.
- Simple design means fewer wearing parts – all user serviceable.
- Complies with USCG 183.410 and ISO 8846 MARINE (Ignition Protection).
- ISO 8849 MARINE (Bilge Pump Standard).



| | |
|---------------------|--|
| FLOW | 6.33 GPM (23.83 LPM) |
| SELF-PRIMING | Up to 4' (1.2m) vertical lift |
| FITTING | Connections for 1/2" (13mm) NPT male threads and for 1" (25mm) ID hose |
| SIZE | 6-3/8" long x 4-3/4" wide x 3-1/2" high (16.2cm x 12.1cm x 8.9cm) |
| WEIGHT | 6.5lb (37kg) |

| MODEL | DESCRIPTION |
|------------|------------------------------------|
| 18660-0121 | 12V DC model, fuse 15 amp (Non CE) |
| 6303-0001 | Replacement Impeller |
| 90061-0061 | Service Kit |

For service and spare parts listing, see page 226.

Maxi Puppy 3000

High-flow, continuously rated bilge pump offering good discharge head.

- 11 GPM (44 LPM) output at 10' (3m) total head.
- Bilge debris presents no problem to this bronze bodied, flexible impeller design.
- Simple design means fewer wearing parts – all user serviceable.
- ISO 8846 MARINE (Ignition Protection).
- ISO 8849 MARINE (Bilge Pump Standard).



| | |
|---------------------|---|
| FLOW | 11 GPM (44 LPM) |
| SELF-PRIMING | Up to 8' (2.4m) vertical lift |
| FITTING | Connections for 1/2" (13mm) BSP male threads and for 1" (25mm) ID hose. Do not use plumbing of less than 3/4" (19mm) internal diameter. |
| SIZE | 8-1/2" long x 4-3/4" wide x 3-1/2" high (22cm x 12cm x 9cm) |
| WEIGHT | 8lb (3.6kg) |

| MODEL | DESCRIPTION |
|------------|---------------------------|
| 23610-3003 | 12V DC model, fuse 20 amp |
| 23610-3103 | 24V DC model, fuse 10 amp |
| 7273-0003 | Replacement Impeller |
| SK224-1 | Service Kit |

For service and spare parts listing, see page 227.

Commercial Duty Water Puppy

High-flow, continuously rated bilge pump offering good discharge head.

- 7.83 GPM (29.5 LPM) output at 10' (3m) total head.
- Bilge debris presents no problem to this bronze bodied, flexible impeller design.
- Simple design means fewer wearing parts – all user serviceable.
- Complies with USCG 183.410 and ISO 8846 MARINE (Ignition Protection).
- ISO 8849 MARINE (Bilge Pump Standard).



| | |
|---------------------|---|
| FLOW | 7.83 GPM (29.5 LPM) |
| SELF-PRIMING | Up to 8' (2.4m) vertical lift |
| FITTING | Connections for 1/2" (13mm) NPT male threads and for 1" (25mm) ID hose. Do not use plumbing of less than 3/4" (19mm) internal diameter. |
| SIZE | 7-1/8" long x 4-3/4" wide x 3-1/2" high (18.1cm x 12.1cm x 8.9cm) |
| WEIGHT | 8lb (2.7kg) |

| MODEL | DESCRIPTION |
|------------|------------------------------------|
| 18670-0123 | 12V DC model, fuse 15 amp (Non CE) |
| 18670-0943 | 24V DC model, fuse 10 amp (Non CE) |
| 23680-4003 | 12V DC model, fuse 15 amp |
| 23680-4103 | 24V DC model, fuse 10 amp |
| 6303-0003 | Replacement Impeller |
| 90061-0061 | Service Kit |

For service and spare parts listing, see pages 226-227.

Junior Puppy

High discharge head continuously rated bilge pump.

- 3.75 GPM (15 LPM) output at 10' (3m) total head.
- Bilge debris presents no problem to this bronze bodied, flexible impeller design.
- Simple design means fewer wearing parts – all user serviceable.
- ISO 8846 MARINE (Ignition Protection).
- ISO 8849 MARINE (Bilge Pump Standard).



| | |
|---------------------|--|
| FLOW | 3.75 GPM (15 LPM) |
| SELF-PRIMING | Up to 5' (1.5m) vertical lift |
| FITTING | Connections for 3/8" (10mm) BSP male threads and for 3/4" (19mm) ID hose |
| SIZE | 7-1/8" long x 4-1/4" wide x 3-1/4" high (18cm x 11cm x 9cm) |
| WEIGHT | 6.6lb (3kg) |

| MODEL | DESCRIPTION |
|------------|--|
| 23670-4003 | 12V DC model, fuse 15 amp |
| 23670-4103 | 24V DC model, fuse 10 amp |
| SK400-0023 | Service Kit, includes 9200-0003 Nitrile Impeller |

For service and spare parts listing, see page 227.

Utility Puppy 2000

Continuous rated Utility Puppy 2000 offers high flow for bilge, deck wash and general purpose use, and ten minutes dry running.

- 8.33 GPM (32 LPM) output at 10' (3m) total head.
- Dry running for twenty minutes after initial use.
- Bilge debris presents no problem to this bronze bodied, flexible impeller design.
- Simple design means fewer wearing parts – all user serviceable.
- Complies with USCG 183.410 and ISO 8846 MARINE (Ignition Protection).
- ISO 8849 MARINE (Bilge Pump Standard).



| | |
|---------------------|---|
| FLOW | 8.33 GPM (32 LPM) |
| SELF-PRIMING | Up to 4' (1.2m) vertical lift |
| FITTING | Connections for 3/4" (19mm) male threads |
| SIZE | 7-1/2" long x 4-3/4" wide x 3-1/2" high (19cm x 12cm x 9cm) |
| WEIGHT | 9.7lb (3.4kg) |

| MODEL | DESCRIPTION |
|------------|-------------------------------|
| 23920-2403 | 12V DC BSP model, fuse 15 amp |
| 23290-2503 | 24V DC BSP model, fuse 10 amp |
| 23920-9403 | 12V DC NPT model, fuse 15 amp |
| 23920-9503 | 24V DC NPT model, fuse 10 amp |
| SK416-0003 | Service Kit |

For service and spare parts listing, see page 227.

Utility Puppy 3000

Continuous rated heavy-duty Utility Puppy 3000 offers very high flow for bilge, deck wash and general purpose use, and ten minutes dry running.

- 11.33 GPM (43 LPM) output at 10' (3m) total head.
- Dry running for ten minutes after initial use.
- Mechanical seal for extra long life.
- Bilge debris presents no problem to this bronze bodied, flexible impeller design.
- Simple design means fewer wearing parts – all user serviceable.
- Complies with USCG 183.410 and ISO 8846 MARINE (Ignition Protection).
- ISO 8849 MARINE (Bilge Pump Standard).



| | |
|---------------------|---|
| FLOW | 11.33 GPM (43 LPM) |
| SELF-PRIMING | Up to 8' (2.4m) vertical lift |
| FITTING | Connections for 3/4" (19mm) male threads |
| SIZE | 8-1/2" long x 4-3/4" wide x 3-1/2" high (22cm x 12cm x 9cm) |
| WEIGHT | 8lb (3.6kg) |

| MODEL | DESCRIPTION |
|------------|-------------------------------|
| 23920-2213 | 12V DC BSP model, fuse 15 amp |
| 23920-2313 | 24V DC BSP model, fuse 10 amp |
| 23920-9213 | 12V DC NPT model, fuse 25 amp |
| 23920-9313 | 24V DC NPT model, fuse 15 amp |
| SK415-0113 | Service Kit |

For service and spare parts listing, see page 227.

Mini Puppy

Compact, continuously rated low-flow pump.

- 1.38 GPM (5.5 LPM) output at 10' (3m) total head.
- Small bilge debris presents no problem to this brass bodied pump.
- Simple design means fewer wearing parts – all user serviceable.
- ISO 8846 MARINE (Ignition Protection).
- ISO 8849 MARINE (Bilge Pump Standard).



| | |
|---------------------|--|
| FLOW | 1.38 GPM (5.5 LPM) |
| SELF-PRIMING | Up to 5' (1.5m) vertical lift |
| FITTING | Connections for 3/8" (10mm) BSP male threads and for 3/4" (19mm) ID hose |
| SIZE | 6" long x 4-3/4" wide x 3-1/2" high (15cm x 12cm x 8cm) |
| WEIGHT | 2lb (0.9kg) |

| MODEL | DESCRIPTION |
|------------|--|
| 23620-4003 | 12V DC model, fuse 5 amp |
| 23620-4103 | 24V DC model, fuse 3 amp |
| SK374-0003 | Service Kit, includes 1414-0003 Nitrile Impeller |

For service and spare parts listing, see page 227.

02 Bilge Pumping Systems

ENGINE DRIVEN, ELECTRIC CLUTCH PUMPS



18330 Series Electric Clutch Pumps

This manually activated clutch pump offers all the benefits of flexible impeller pumps with a high capacity flow rate and horizontally oriented ports.



- 78.5 GPM (314 LPM) at 10' (3m) total head @ 1750 rpm.
- Mechanical face type shaft seal.
- Nitrile impeller.
- Two pulley options to accommodate either A or B size belts.
- Two single-row shaft ball bearings.

| | |
|---------------------|---|
| FLOW | 78.5 GPM (314 LPM) |
| SELF-PRIMING | Up to 15' (4.5m) vertical lift |
| FITTING | 2" (51mm) NPT |
| SIZE | 12-7/16" long x 5-15/16" wide x 5-3/4" high (31.6cm x 15cm x 14.6cm), excluding pulley. Pulley diameter is 7" (17.8cm). |
| WEIGHT | 24lb (11kg) |

| MODEL | DESCRIPTION |
|------------|---|
| 18330-0000 | 12V DC pump with double A groove pulley |
| 18330-0001 | 24V DC pump with double A groove pulley |
| 18330-0040 | 12V DC pump with single B groove pulley |
| 18330-0041 | 24V DC pump with single B groove pulley |

For service and spare parts listing, see page 216.

11870 Series Electric Clutch Pumps

This electrically activated clutch pump offers all the benefits of flexible impeller pumps with a substantial flow rate and horizontally oriented ports. The electric clutch offers convenient remote activation.



- 58.75 GPM (235 LPM) at 10' (3m) total head @ 1750 rpm.
- Mechanical face type shaft seal.
- Nitrile impeller.
- Two pulley options to accommodate either A or B size belts.
- Double row ball bearing.

| | |
|---------------------|--|
| FLOW | 58.75 GPM (235 LPM) |
| SELF-PRIMING | Up to 15' (4.5m) vertical lift |
| FITTING | 1-1/4" (32mm) NPT |
| SIZE | 8-3/16" long x 5-7/8" wide x 5-1/2" high (20.8cm x 14.9cm x 14cm), excluding pulley. Pulley diameter is 7" (17.8cm). |
| WEIGHT | 18lb (8kg) |

| MODEL | DESCRIPTION |
|------------|---|
| 11870-0005 | 12V DC pump with double A groove pulley |
| 11870-0006 | 24V DC pump with double A groove pulley |
| 11870-0045 | 12V DC pump with single B groove pulley |
| 11870-0046 | 24V DC pump with single B groove pulley |
| 11870-0007 | 32V DC pump with double A groove pulley |

For service and spare parts listing, see page 216.

50580 Series Electric Clutch Pumps

Heavy-duty bilge and deck wash pump, belt driven from the engine, for leisure and commercial craft.



- 24.5 GPM (81.33 LPM) at 10' (3m) total head @ 1500 rpm.
- Bilge debris presents no problems to this robust, bronze bodied flexible impeller pump.
- Can be remotely controlled from outside the engine room, and can be automatically shut off by fitting a vacuum cut-off switch.
- Neoprene impeller is fitted as standard.

| | NORTH AMERICAN | EUROPEAN |
|---------------------|--|--|
| FLOW | 24.5 GPM (81.33 LPM) | 24.5 GPM (81.33 LPM) |
| SELF-PRIMING | Up to 15' (4.5m) vertical lift | Up to 15' (4.5m) vertical lift |
| FITTING | 1" (25mm) NPT | 1" (25mm) BSP internal thread |
| SIZE | 6-1/2" long x 5" wide x 7" high (16cm x 12cm x 17.8cm) | 6-1/2" long x 5" wide x 7" high (16cm x 12cm x 17.8cm) |
| WEIGHT | 11lb (5kg) | 11lb (5kg) |

| MODEL | DESCRIPTION |
|------------|---|
| 50580-9001 | 12V DC 2A pulley E/M clutch, fuse 5 amp |
| 50580-9101 | 24V DC 2A pulley E/M clutch, fuse 2.5 amp |
| 50580-9201 | 12V DC 1B pulley E/M clutch, fuse 5 amp |
| 50580-9301 | 24V DC 1B pulley E/M clutch, fuse 2.5 amp |

For service and spare parts listing, see page 217.

50270 Series Electric Clutch Pumps

Very heavy-duty bilge and deck wash pump, belt driven from the engine, for leisure and commercial craft.

- 68.33 GPM (272.5 LPM) at 10' (3m) total head @ 1500 rpm.
- Bilge debris presents no problems to this robust, bronze bodied flexible impeller pump.
- Can be remotely controlled from outside the engine room and can be automatically shut off by fitting a vacuum cut-off switch.
- Neoprene impeller is fitted as standard.



| | |
|---------------------|--|
| FLOW | 68.33 GPM (272.5 LPM) |
| SELF-PRIMING | Up to 15' (4.5m) vertical lift |
| FITTING | 2" (51mm) BSP internal thread, optional 2" (51mm) flange |
| SIZE | 10" long x 7" wide x 7" high (26.4cm x 17.8cm x 17.8cm) |
| WEIGHT | 27lb (12.2kg) |

| MODEL | DESCRIPTION |
|--|---|
| 50270-X011 | 12V DC 2A pulley E/M clutch, fuse 5 amp |
| 50270-X111 | 24V DC 2A pulley E/M clutch, fuse 2.5 amp |
| 50270-X211 | 12V DC 1B pulley E/M clutch, fuse 5 amp |
| 50270-X311 | 24V DC 1B pulley E/M clutch, fuse 2.5 amp |
| X=0, flanged ports; X=2, BSP ports | |
| For service and spare parts listing, see page 217. | |

50220 Series Electric Clutch Pumps

Very heavy-duty bilge, deck wash and firefighting pump, belt driven from the engine, for leisure and commercial craft

- 48.75 GPM (195 LPM) at 10' (3m) total head @ 1500 rpm.
- Bilge debris presents no problems to this robust, bronze bodied flexible impeller pump.
- Can be remotely controlled from outside the engine room, and can be automatically shut off by fitting a vacuum cut-off switch.
- Neoprene impeller is fitted as standard.



| | |
|---------------------|--|
| FLOW | 48.75 GPM (195 LPM) |
| SELF-PRIMING | Up to 15' (4.5m) vertical lift |
| FITTING | 1-1/2" (38mm) flange |
| SIZE | 9-1/2" long x 6" wide x 7" high (23.9cm x 15.3cm x 17.8cm) |
| WEIGHT | 25lb (11.2kg) |

| MODEL | DESCRIPTION |
|--|---|
| 50220-0011 | 12V DC 2A pulley E/M clutch, fuse 5 amp |
| 50220-0111 | 24V DC 2A pulley E/M clutch, fuse 2.5 amp |
| 50220-0211 | 12V DC 1B pulley E/M clutch, fuse 5 amp |
| 50220-0311 | 24V DC 1B pulley E/M clutch, fuse 2.5 amp |
| For service and spare parts listing, see page 217. | |

50200 Series Electric Clutch Pumps

Very heavy-duty bilge, deck wash and firefighting pump, belt driven from the engine, for leisure and commercial craft.

- 48.75 GPM (195 LPM) at 10' (3m) total head @ 1500 rpm.
- Bilge debris presents no problems to this robust, bronze bodied flexible impeller pump.
- Can be remotely controlled from outside the engine room, and can be automatically shut off by fitting a vacuum cut-off switch.
- Neoprene impeller is fitted as standard.



| | |
|---------------------|--|
| FLOW | 48.75 GPM (195 LPM) |
| SELF-PRIMING | Up to 15' (4.5m) vertical lift |
| FITTING | 1-1/2" (38mm) BSP internal thread |
| SIZE | 9-1/2" long x 6" wide x 7" high (23.9cm x 15.3cm x 17.8cm) |
| WEIGHT | 25lb (11.2kg) |

| MODEL | DESCRIPTION |
|--|---|
| 50200-2011 | 12V DC 2A pulley E/M clutch, fuse 5 amp |
| 50200-2111 | 24V DC 2A pulley E/M clutch, fuse 2.5 amp |
| 50200-2211 | 12V DC 1B pulley E/M clutch, fuse 5 amp |
| 50200-2311 | 24V DC 1B pulley E/M clutch, fuse 2.5 amp |
| 50200-9303 | 24V DC 1B pulley E/M clutch, fuse 3 amp |
| For service and spare parts listing, see page 217. | |

02 Bilge Pumping Systems

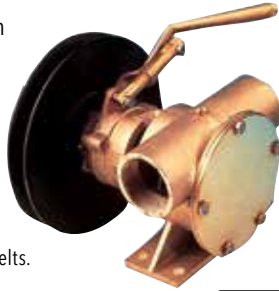
ENGINE DRIVEN, MANUAL CLUTCH PUMPS



51200 Series Manual Clutch Pumps

Heavy-duty bilge and deck wash pump, belt driven from the engine, for leisure and commercial craft.

- 48.75 GPM (195 LPM) at 10' (3m) total head @ 1500 rpm.
- Bilge debris presents no problems to this robust, bronze bodied flexible impeller pump.
- Dependable manual control will operate even under the toughest conditions.
- Clutch pulley will accommodate both A and B type pulley belts.
- Easily serviced and maintained.
- Neoprene impeller is fitted as standard, optional nitrile impeller available.



| | |
|---------------------|--|
| FLOW | 48.75 GPM (195 LPM) |
| SELF-PRIMING | Up to 15' (4.5m) vertical lift |
| FITTING | 1-1/2" (38mm) BSP internal thread |
| SIZE | 9-1/2" long x 6" wide x 9" high (24.4cm x 15cm x 22.6cm) |
| WEIGHT | 18lb (8kg) |

| MODEL | DESCRIPTION |
|--|---------------|
| 51200-2011 | Manual clutch |
| For service and spare parts listing, see page 214. | |

51200-9013 Manual Clutch Pumps

This manually activated clutch pump offers all the benefits of flexible impeller pumps with a substantial flow rate.

- 48.75 GPM (195 LPM) at 10' (3m) total head @ 1500 rpm.
- Mechanical face type shaft seal.
- Nitrile impeller.
- Clutch pulley accommodates both A and B size belts.
- Double row ball bearing.

| | |
|---------------------|---|
| FLOW | 48.75 GPM (195 LPM) |
| SELF-PRIMING | Up to 15' (4.5m) vertical lift |
| FITTING | 1-1/2" (38mm) NPT |
| SIZE | 9-5/8" long x 5-15/16" wide x 8-7/8" high (24.5cm x 15.1cm x 22.5cm), excluding pulley. Pulley diameter is 7" (17.8cm). |
| WEIGHT | 18lb (8kg) |

| MODEL | DESCRIPTION |
|--|--|
| 51200-9013 | Pump with nitrile impeller, full cam and mechanical seal |
| For service and spare parts listing, see page 214. | |

51270 Series Manual Clutch Pumps

Very heavy-duty bilge, deck wash and firefighting pump, belt driven from the engine, for leisure and commercial craft.

- 68.33 GPM (272.5 LPM) at 10' (3m) total head @ 1500 rpm.
- Bilge debris presents no problems to this robust, bronze bodied flexible impeller pump.
- Dependable manual control will operate even under the toughest conditions.
- Clutch pulley will accommodate both A and B type pulley belts.
- Easily serviced and maintained.
- Neoprene impeller is fitted as standard.



| | |
|---------------------|--|
| FLOW | 68.33 GPM (272.5 LPM) |
| SELF-PRIMING | Up to 15' (4.5m) vertical lift |
| FITTING | 2" (51mm) BSP internal thread, optional 2" (51mm) flange |
| SIZE | 12" long x 7" wide x 9" high (31.6cm x 17cm x 22.4cm) |
| WEIGHT | 25lb (11kg) |

| MODEL | DESCRIPTION |
|--|------------------------------|
| 51270-0011 | Manual clutch, flanged ports |
| 51270-2011 | Manual clutch, BSP ports |
| For service and spare parts listing, see page 214. | |

51270-9013 Manual Clutch Pumps

This manually activated clutch pump offers all the benefits of flexible impeller pumps with a high capacity flow rate and horizontally oriented ports. Very heavy-duty bilge, deck wash and firefighting pump, belt driven from the engine, for leisure and commercial craft.

- 68.33 GPM (272.5 LPM) at 10' (3m) total head @ 1500 rpm.
- Mechanical face type shaft seal.
- Nitrile impeller.
- Clutch pulley accommodates both A and B size belts.
- Two single-row shaft ball bearings.

| | |
|---------------------|---|
| FLOW | 68.33 GPM (272.5 LPM) |
| SELF-PRIMING | Up to 15' (4.5m) vertical lift |
| FITTING | 2" (51mm) NPT |
| SIZE | 12-7/16" long x 5-15/16" wide x 8-7/8" high (31.6cm x 15.1cm x 22.5cm), excluding pulley. Pulley diameter is 7" (17.8cm). |
| WEIGHT | 24lb (11kg) |

| MODEL | DESCRIPTION |
|--|--|
| 51270-9013 | Pump with nitrile impeller, full cam and mechanical seal |
| For service and spare parts listing, see page 214. | |

51580 Series Manual Clutch Pumps

Heavy-duty bilge and deck wash pump, belt driven from the engine, for leisure and commercial craft.

- 24.5 GPM (81.33 LPM) at 10' (3m) total head @ 1500 rpm.
- Bilge debris presents no problems to this robust, bronze bodied flexible impeller pump.
- Dependable manual control will operate even under the toughest conditions.
- Clutch pulley will accommodate both A and B type pulley belts.
- Easily serviced and maintained.
- Neoprene impeller is fitted as standard.



| | |
|---------------------|--|
| FLOW | 24.5 GPM (81.33 LPM) |
| SELF-PRIMING | Up to 15' (4.5m) vertical lift |
| FITTING | 1" (25mm) BSP internal thread |
| SIZE | 8" long x 5" wide x 7-1/2" high (19.8cm x 12cm x 18.9cm) |
| WEIGHT | 11lb (5kg) |

| MODEL | DESCRIPTION |
|------------|---------------|
| 51580-2001 | Manual clutch |

51580-9001 Manual Clutch Pumps

This manually activated clutch pump offers all the benefits of flexible impeller pumps with a moderate flow rate and horizontally oriented ports.

- 24.5 GPM (81.33 LPM) at 10' (3m) total head @ 1500 rpm.
- Mechanical face type shaft seal.
- Neoprene impeller.
- Clutch pulley accommodates both A and B size belts.
- Spaced sealed for life bearings.

| | |
|---------------------|--|
| FLOW | 24.5 GPM (81.33 LPM) |
| SELF-PRIMING | Up to 15' (4.5m) vertical lift |
| FITTING | 1" (25mm) NPT |
| SIZE | 7-13/16" long x 4-3/4" wide x 7-9/16" high (19.8cm x 12.1cm x 19.2cm), excluding pulley. Pulley diameter is 6" (15.2cm). |
| WEIGHT | 9lb (4kg) |

| MODEL | DESCRIPTION |
|------------|-------------------------|
| 51580-9001 | Pump with manual clutch |

51220 Series Manual Clutch Pumps

Very heavy-duty bilge, deck wash and firefighting pump, belt driven from the engine, for leisure and commercial craft.

- 45.42 GPM (195 LPM) at 10' (3m) total head @ 1500 rpm.
- Self-priming up to 15' (4.5m) vertical lift.
- Bilge debris presents no problems to this robust, bronze bodied flexible impeller pump.
- Dependable manual control will operate even under the toughest conditions.
- Clutch pulley will accommodate both A and B type pulley belts.
- Easily serviced and maintained.
- Neoprene impeller is fitted as standard.



| | |
|---------------------|---|
| FLOW | 45.42 GPM (195 LPM) |
| SELF-PRIMING | Up to 15' (4.5m) vertical lift |
| FITTING | 1-1/2" (38mm) flange |
| SIZE | 11-1/2" long x 6" wide x 9" high (29.2cm x 15.2cm x 22.6cm) |
| WEIGHT | 22lb (10kg) |

| MODEL | DESCRIPTION |
|------------|---------------|
| 51220-0011 | Manual clutch |

For service and spare parts listing, see page 214.

6590-0005 Manual Clutch Pumps

This manually activated clutch pump offers all the benefits of flexible impeller pumps with a substantial flow rate and horizontally oriented ports.

- 58.92 GPM (235 LPM) at 10' (3m) total head @ 1750 rpm.
- Nitrile impeller.
- Clutch pulley accommodates a B size belt.
- Double row ball bearing.



| | |
|---------------------|--|
| FLOW | 58.92 GPM (235 LPM) |
| SELF-PRIMING | Up to 10' (3m) vertical lift |
| FITTING | 1-1/4" (32mm) NPT |
| SIZE | 8-1/16" long x 5-1/2" wide x 8-1/8" high (20.5cm x 14cm x 20.6cm), excluding pulley. Pulley diameter is 6" (15.2cm). |
| WEIGHT | 18lb (8kg) |

| MODEL | DESCRIPTION |
|-----------|--|
| 6590-0005 | Pump with nitrile impeller, full cam and mechanical seal |

For service and spare parts listing, see page 172.

02 Bilge Pumping Systems

JABSCO ACCESSORIES



Y-Valve



Robust Y-Valve for use in bilge applications. Allows two bilge sections to be emptied by one pump.

- Rotating ports allow routing of hoses onto the valve from almost any direction.
- Can be operated through bulkhead by use of optional handle extension.
- Waste and corrosion-resistant construction throughout.
- Can be padlocked.

| | |
|----------------|---|
| FITTING | Connections for two 1-1/2" (38mm) ports and extra 1" (25mm) straight inlet port |
| SIZE | 7-5/8" long x 7-1/4" wide x 4-5/8" high (20cm x 19cm x 12cm) |
| WEIGHT | 2lb (0.9kg) |

| MODEL | DESCRIPTION |
|------------|-----------------------|
| 45490-1000 | Y-Valve |
| 45500-1000 | Handle Extension Kit |
| 45493-0000 | Replacement Handle |
| 18753-0661 | Replacement Ports Kit |
| 45488-0000 | Service Kit |

Bilge Strainers with Non-Return Valves



Stop bilge debris from blocking inlet suction hose and reduce the risk of debris entering and blocking the pump.

- Non-return valve fitted to stop bilge water from draining back when pumping stops.
- Repositionable ports allow horizontal, vertical or sideways hose attachments.
- Easily removable strainer plate for cleaning.
- Corrosion-resistant materials throughout.

| | |
|----------------|---|
| FITTING | Connections for 3/4", 1" or 1-1/2" (19mm, 25mm or 38mm) ID hose |
| SIZE | 6-3/4" long x 2-3/4" wide x 2-1/2" high (17cm x 7.2cm x 6cm) |
| WEIGHT | 0.25lb (0.1kg) |

| MODEL | DESCRIPTION |
|------------|--|
| 29290-1020 | Bilge Strainer for 3/4" (19mm) ID hose |
| 29290-1000 | Bilge Strainer for 1" (25mm) ID hose |
| 29290-1010 | Bilge Strainer for 1-1/2" (38mm) ID hose |

Vacuum Switch

Protects any 12V or 24V DC electric or electromagnetic clutch bilge pump up to 15 amp from dry running drainage – especially flexible impeller designs.

- Manual start, automatic stop – remote start possible.
- Vacuum sensor shuts off power to pump motor or clutch when bilges are clear.
- Simply mounts between bilges and pump.
- Some Jabsco pumps have integral mounting point.



| | |
|----------------|---|
| FITTING | Connection for 1/4" (6mm) female thread and supplied with 1/4" (6mm) close nipple. Suitable for 12 and 24 volt DC; 220 volt AC, up to 15 amp; 110 volt AC up to 10 amp. For remote start, install 15 amp push button next to Master Switch. |
| SIZE | 4" diameter x 3-1/2" high (11cm x 9cm) |
| WEIGHT | 1.5lb (0.7kg) |

| MODEL | DESCRIPTION |
|--------------|--------------------|
| 4732-0000 | Vacuum Switch |



WARNING

Jabsco Vacuum Switch is not ignition protected.
Do not install where flammable vapors are present.

03 Livewell/Baitwell Pumps

INTRODUCTION



Livewell/Baitwell Pumps

The Livewell/Baitwell Pumps are built on Rule's unsurpassed quality and leadership in pump design and technology. The innovative design includes many new and exciting features including: a quick, one-hand push button motor cartridge removal system, patented rotatable base that allows you to position the discharge nozzle at any location and threaded nylon hose barb attachments which allow for various hose mounting options.

Other features include a built-in dual port option, water-cooled housing and positive snap motor cartridge locking mechanism.

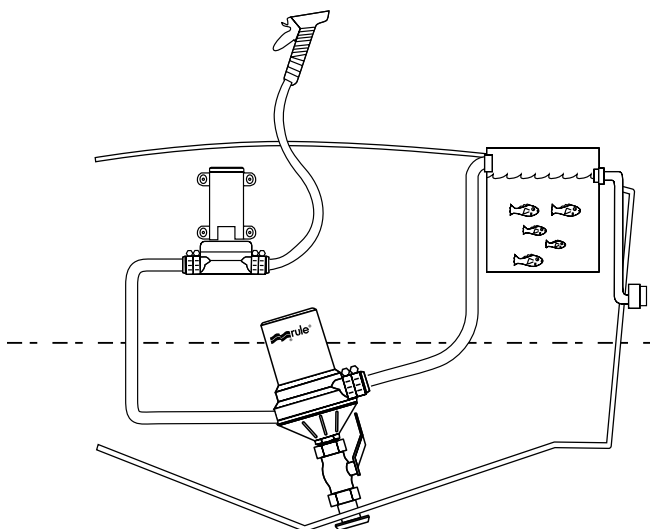
Pumps are available in 500 GPH (1895 LPH), 800 GPH (3027 LPH) and 1100 GPH (4162 LPH), plus 1600 GPH (6056 LPH) non-cartridge models, and are fitted for transom or seacock mounting options.

Tips on Selecting a Livewell Pump

- Always select a pump that will deliver enough water to replace livewell water every 6 to 10 minutes.
- Bigger is not better – too much pump capacity could lead to airlocks and damage delicate bait.
- Mount the pump as low and close to the hull as possible.
- "C" series with 4" (102mm) angled pickup tube for through hull applications.
- "STC" series with 4-3/4" (121mm) straight pickup tube for through hull applications.
- "FC" series 500, 800, and 1100 GPH models with 3/4" (19mm) and 1600 GPH model with 1" (25mm) tapered thread pickup tube for seacock applications.

NOTE

High-speed water intake scoops can damage the pump and possibly flood the hull.





| CAPACITY | HEAD HEIGHT | | | DISCHARGE OUTLET |
|---------------------|---------------------|---------------------|--------------------|------------------|
| | 0' | 3.35' (1m) | 6.7' (2m) | |
| 500 GPH (1895 LPH) | 500 GPH (1895 LPH) | 340 GPH (1286 LPH) | 100 GPH (378 LPH) | 3/4" (19mm) |
| 800 GPH (3027 LPH) | 800 GPH (3027 LPH) | 490 GPH (1854 LPH) | 320 GPH (1211 LPH) | 3/4" (19mm) |
| 1100 GPH (4162 LPH) | 1100 GPH (4162 LPH) | 790 GPH (2989 LPH) | 480 GPH (1816 LPH) | 1-1/8" (29mm) |
| 1600 GPH (6056 LPH) | 1600 GPH (6056 LPH) | 1200 GPH (4542 LPH) | 760 GPH (2876 LPH) | 1-1/8" (29mm) |

Tournament Series™ Bronze Base 1600 GPH (6054 LPH) Livewell Pump

Designed for the toughest applications, the Tournament Series™ Pump is the highest capacity livewell pump in today's market. Pump features a bronze base, anti-airlock feature and a heavy-duty long-life motor. 1" (25mm) NPT female intake and 1-1/8" (29mm) discharge outlet. 12 volt DC.



| | |
|-------------------------|-----------------------------|
| FLOW | 1600 GPH (6054 LPH) |
| DISCHARGE OUTLET | 1-1/8" (29mm) |
| VOLTS | 12V DC |
| INTAKE | 1" (25mm) NPT female intake |

| MODEL | DESCRIPTION |
|-------|---------------------------------|
| 209B | 1600 GPH (6054 LPH) bronze base |

Tournament Series™ Dual Port 1600 GPH (6054 LPH) Livewell Pump

Engineered to withstand the rigors of tournament fishing, the Tournament Series™ Pump is the highest capacity livewell pump in today's market.

This model features a glass filled nylon dual port base for optional washdown pump connection, anti-airlock feature and a heavy-duty long-life motor. The pump has a 1" (25mm) NPT female intake, 1-1/8" (29mm) discharge outlet and a 1/2" (6mm) NPT threaded port for washdown installation. 12 volt DC.



| | |
|-------------------------|-----------------------------|
| FLOW | 1600 GPH (6054 LPH) |
| DISCHARGE OUTLET | 1-1/8" (29mm) |
| VOLTS | 12V DC |
| INTAKE | 1" (25mm) NPT female intake |

| MODEL | DESCRIPTION |
|--------|-------------------------------|
| 209FDP | 1600 GPH (6054 LPH) dual port |

03 Livewell/Baitwell Pumps

LIVEWELL / AERATOR



Gentle-Flow™ Oxygenator



Designed with the patented infuser technology and a Gentle-Flow directional discharge, the Rule Gentle-Flow™ Oxygenator is the ideal system for keeping bait and catch alive and healthy. The patented infuser technology introduces air into the base of the livewell pump through the air control center, producing millions of micro-fine bubbles. Because the bubbles are so small, they remain suspended in the water longer, providing more aeration to your delicate bait and catch. Designed to fit almost any custom tank. Kits come complete with a pump, directional discharge, intake strainer, hose and intake valve.

| MODEL | DESCRIPTION |
|-------|---|
| 255 | 700 GPH (2650 LPH) ideal for 25lbs (11kg) of bait |
| 256 | 1100 pump – up to 50lbs (22kg) of bait |

Fish Box Evacuation Pump



The new Fish Box Evacuation Pump is perfect for emptying a fish box, easily passing debris such as bait residue, particles of ice and fish scales that are often left after a day of fishing.

- Self-priming up to 10' (3m).
- Capable of extensive dry running.
- Compact and simple design.
- Quiet running.
- Flexible Installation.
- Corrosion-resistant parts.
- Complies with USCG 183.410 and ISO 8846 MARINE (Ignition Protection).
- ISO 8849 MARINE (Bilge Pump Standard).

| | |
|----------------|---|
| FLOW | 5 GPM (19 LPM) |
| FITTING | Connections for 1-1/2" (38mm) |
| SIZE | 10.9" long x 6.1" wide x 4.4" high (27.7cm x 15.5cm x 11.1cm) |
| WEIGHT | 6lb (2.7kg) |
| VOLTS | 12V DC to 24V DC |
| INTAKE | 1-1/2" (38mm) NPT female intake |

| MODEL | DESCRIPTION |
|------------|---------------------------|
| 50900-1000 | 12V DC model, fuse 10 amp |
| 50900-1100 | 24V DC model, fuse 5 amp |
| SK900 | Service Kit |

"C" Series Tournament Series™ Angled Inlet



For through hull applications. Angled 4" (102mm) pickup tube. 12 volt DC.

| MODEL | DESCRIPTION |
|-------|---|
| 401C | 500 GPH (1893 LPH), 3/4" (19mm) discharge hose, fuse 2.5 amp |
| 403C | 800 GPH (3028 LPH), 3/4" (19mm) discharge hose, fuse 5 amp |
| 405C | 1100 GPH (3785 LPH), 1-1/8" (29mm) discharge hose, fuse 6 amp |

"STC" Series Tournament Series™ Straight Inlet



For through hull applications. Straight 4-3/4" (121mm) pickup tube. 12 volt DC.

| MODEL | DESCRIPTION |
|--------|---|
| 401STC | 500 GPH (1893 LPH), 3/4" (19mm) discharge hose, fuse 2.5 amp |
| 403STC | 800 GPH (3028 LPH), 3/4" (19mm) discharge hose, fuse 5 amp |
| 405STC | 1100 GPH (3785 LPH), 1-1/8" (29mm) discharge hose, fuse 6 amp |

Replacement Motor Cartridges

Replacement Motor Modules for all Tournament Series™ Aerator Pumps.



NOTE

Not to be used on the Pro-Series™.

| MODEL | DESCRIPTION |
|-------|--|
| 45DR | 500 GPH (1893 LPH), fuse 2.5 amp |
| 46DR | 800 GPH (3028 LPH), fuse 5 amp |
| 47DR | 1100 GPH (4162 LPH), fuse 6 amp. Only suitable for model numbers 405C, 405STC and 405FC. |

"FC" Series Tournament Series™ Seacock Inlet



For seacock applications. 3/4" (19mm) NPT intake with tapered threads. 12 volt DC.

| MODEL | DESCRIPTION |
|-------|---|
| 401FC | 500 GPH (1893 LPH), 3/4" (19mm) discharge hose, fuse 2.5 amp |
| 403FC | 800 GPH (3028 LPH), 3/4" (19mm) discharge hose, fuse 5 amp |
| 405FC | 1100 GPH (4162 LPH), 1-1/8" (29mm) discharge hose, fuse 6 amp |

Fittings



| MODEL | DESCRIPTION | FITS |
|-------|---------------------------------|-------------|
| 291 | 3/4" 90° Hose Barb Elbow | 500/800 GPH |
| 292 | 1-1/8" 90° Hose Barb Elbow | 1100 GPH |
| 293 | 3/4" Straight Hose Barb Elbow | 500/800 GPH |
| 294 | 1-1/8" Straight Hose Barb Elbow | 1100 GPH |

03 Livewell/Baitwell Pumps

LIVEWELL / AERATOR



Rule Oxygenator Systems

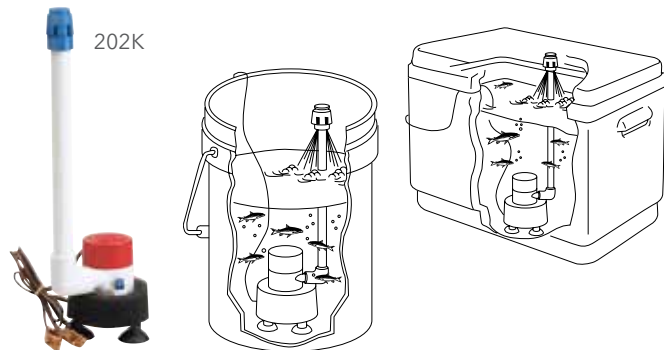
High-performance, live-bait aerators keep bait and catch alive and healthy in a smaller amount of water. Air is infused with the water at the pump impeller, then millions of micro-fine bubbles are produced and sent gently out of the pump into the livewell. Because the bubbles are so fine, they remain suspended in the water longer and more aeration is provided for your delicate bait and catch. 12 volt DC.

| MODEL | DESCRIPTION |
|-------|---|
| 250 | 500 GPH Oxygenator System – ideal for 10lbs (5kg) of bait |
| 251 | 800 GPH Oxygenator System – ideal for 25lbs (11kg) of bait |
| 252 | 1100 GPH Oxygenator System – ideal for 50lbs (23kg) of bait |



Portable Aerator Kit

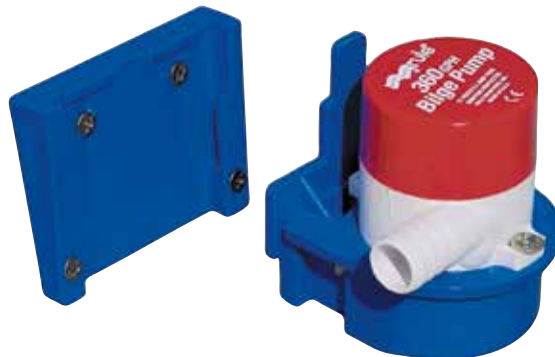
Aerates from 5 to 30 gallons (19 to 113L) of water. The Rule 360 GPH (1741 LPH) pump attaches easily to any non-porous surface. 9" (22.9cm) long spray tube can be custom cut to fit into any container. A fully adjustable spray head increases or reduces flow of water. Foam filtration system keeps water sparkling clean. The kit also includes battery clips for easy attachment to your 12 volt power source. 12 volt DC.



Transom Mounted Livewell Pumps

Rule introduces a lineup of Transom Mounted Aerator Pumps. This allows the fisherman to have professional aeration of his livewell without the need to install a pump through the hull. The unique "quick-release" pump with strainer base assembly snaps easily into the transom bracket provided. At the end of the day, the pump can be removed for storage. Pumps feature 6' (1.8m) wire leads. 12 volt DC.

| MODEL | DESCRIPTION |
|-------|---------------------|
| 24TB | 360 GPH (1363 LPH) |
| 25DTB | 500 GPH (1893 LPH) |
| 20RTB | 800 GPH (3028 LPH) |
| 27DTB | 1100 GPH (4162 LPH) |
| 265 | Bracket only |



Replacement Motor Cartridges for Original Pro-Series™ Livewell Pumps



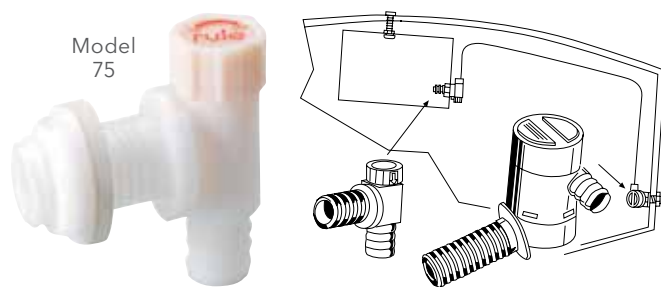
Replacement motor cartridges for Rule Cartridge Bilge Pumps and Livewell/Aerator Pumps. 12 volt DC.

NOTE

Not to be used with Tournament Series™.

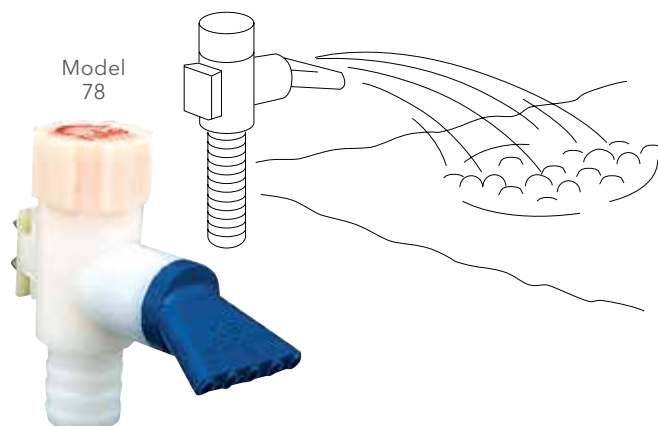
| MODEL | DESCRIPTION |
|-------|--|
| 25DR | Replacement Motor Cartridge, 500 GPH (1893 LPH) |
| 20RR | Replacement Motor Cartridge, 700 GPH (2650 LPH) |
| 27DR | Replacement Motor Cartridge, 1100 GPH (4162 LPH) |

Variable Flow Control Valve



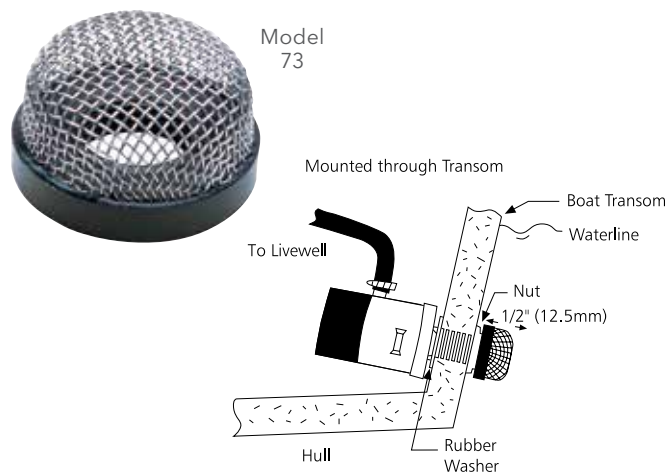
The Variable Flow Control Valve allows increases and decreases of flow with no damage at all to the pump. Range includes fully open flow to zero flow. For use with 3/4" (19mm) hose.

Oxygenator Spray Head



Rule's Oxygenator Spray Head sprays streams of water back into the livewell tank, enriching the water with oxygen. Adjustable spray head allows you to increase or decrease flow of water. For use with 3/4" (19mm) hose.

Livewell Pump Debris Strainer



The Livewell Pump Debris Strainer attaches directly to any pickup tubes on Rule Livewell Pumps. Filters out trash and debris which could clog pump. Stainless steel wire mesh, 3/4" (19mm) female NPSM threads.

04 Toilet Systems

INTRODUCTION



At Jabsco, we are the world's largest manufacturer and supplier of small craft marine toilets – so we've built a fair degree of experience in heads systems and their design and installation.

Far and away the most widely used marine toilets are manually operated. Our 29090/29120 Series have been the most popular type worldwide over the last 10 years. We have now improved them even further with stronger materials, new styling and new features that make them even easier to service and maintain. With modern design and materials, manual toilets are easy to install and service, simple and clean to use and offer exceptional value for your money. Remember, there are two bowl sizes to choose from, and normally even the smallest boats have enough space for the comfort of a full-sized bowl (29120 Series) for just a little extra cost.

Our luxury range of Lite Flush, Quiet Flush and Deluxe Flush Electric Toilets feature low noise levels, so sleeping guests will not be disturbed when the toilet is used. There are options of either flushing with fresh water from the boat's own supply or with salt, river or lake water from outside the boat. Lite Flush Toilets have an integral rinse and waste pump system encased in a stylish housing. Deluxe Flush Series Toilets have domestic-style bowls with all pump components hidden from view. Quiet Flush Toilets have the pump at the rear of a narrow base, allowing it to be installed in more narrow spaces. Three-way controls allow water level to be increased or decreased.

Quiet Flush Conversion Kits allow owners of 37010 and many other types of electric or manual toilets to upgrade to full Quiet Flush specification. All our electric toilets use surprisingly little power, and are simple to operate for newcomers and experienced crews alike.

Manual toilets can be upgraded to electric by the Lite Flush Electric Toilet. The new Lite Flush has been designed to instantly retrofit your existing manual toilet with the same footprint, fixing points and hose attachments as the Jabsco manual toilet.

All our toilets can be used on inland waterways, rivers, lakes or the sea, and can be installed above or below the waterline. However, attention must be paid to installation instructions for safety, and installations must meet with local regulations concerning overboard discharge. All our toilets are designed to discharge overboard or into holding tanks as necessary.

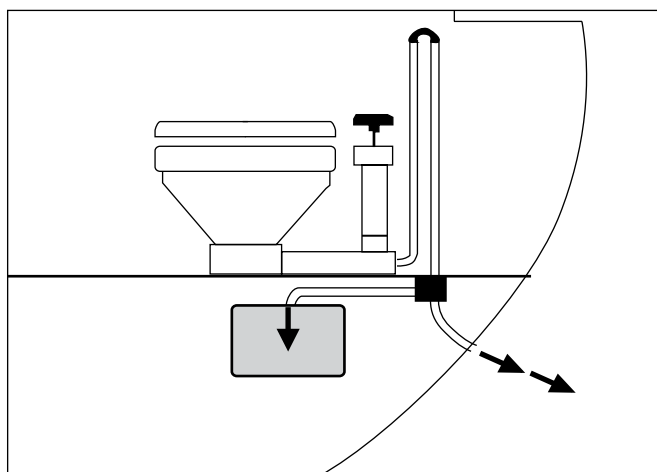


We at Jabsco understand the importance of keeping the environment clean and free from waste. However, it is unfortunate that there is no internationally accepted legislation to guide us on how to deal with the waste from our toilet systems.

For this reason, Jabsco has produced this guide which details the four most common ways of dealing with toilet waste. It is important to note that your choice of system may be governed by your own national and local rules and regulations.

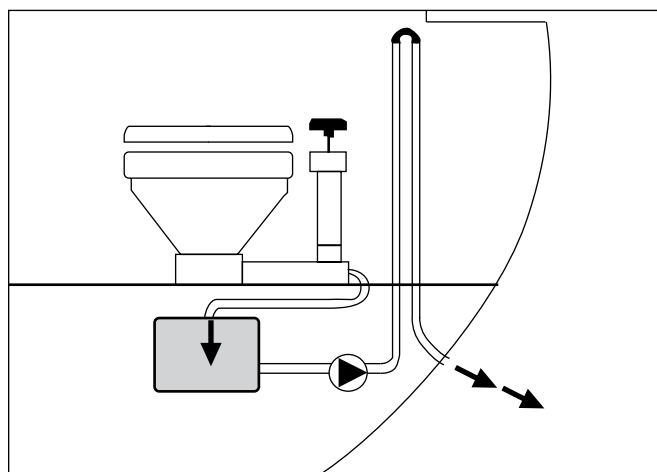


OPTION 1



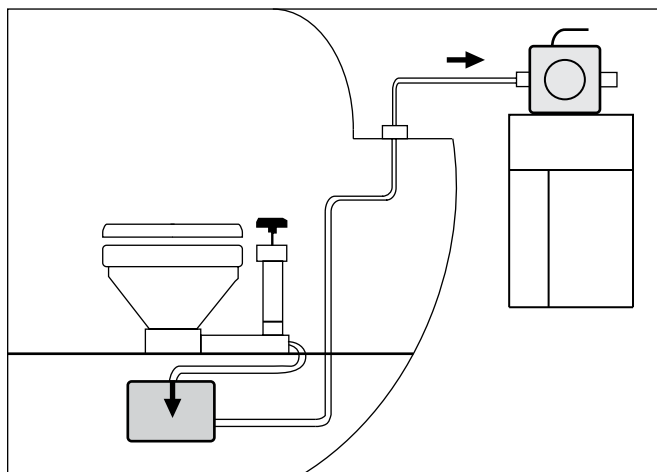
Discharge waste through a Y-valve directly into a non-restricted area, or to a holding tank when within the three-mile limit, using the toilet's own pump and an anti-siphon loop.

OPTION 2



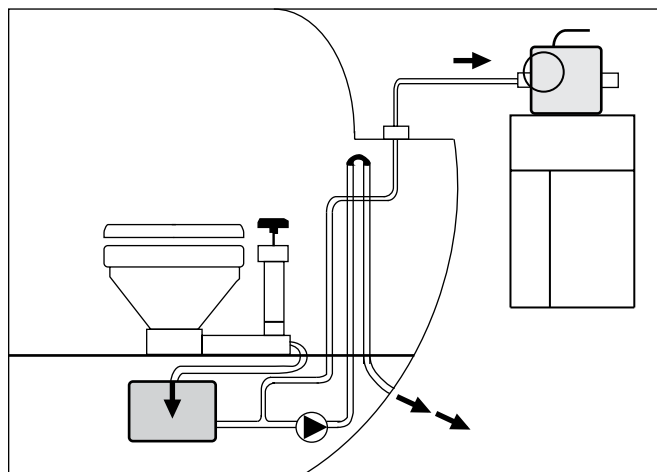
Collect waste in an onboard holding tank so that it can be discharged later when you are in unrestricted waters using an electric or manual pump.

OPTION 3



Collect waste in an onboard holding tank for discharge later to a shore station using a dockside suction pump or portable utility pump.

OPTION 4



A combination of Options 2 and 3 to give you the flexibility of discharging waste wherever most convenient and without risk to the environment.

04 Toilet Systems

TWIST 'N' LOCK MANUAL TOILETS



Twist 'n' Lock Manual Toilets



Jabco is the world's largest manufacturer of small craft marine toilet systems, and we have applied all our experience to our latest manual toilet, refining the design that is used by nearly all boatbuilders worldwide.

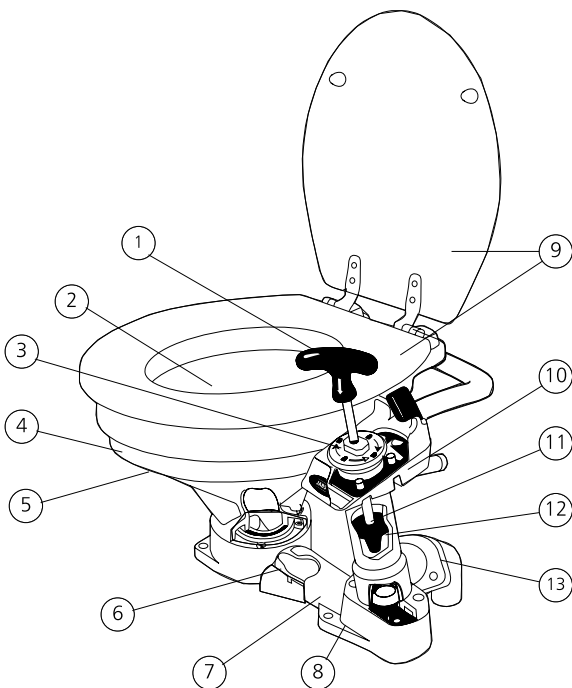
For extra safety and peace of mind, the intuitive, simple to use Twist 'n' Lock action handle guards against siphonic flooding and waste backflow. With one easy 90° turn of the handle, the lock is applied. Turning the handle back to the natural operating position opens the lock again.

- All fastenings face front or top for ease of maintenance.
- Flexible design for both overboard discharge and holding tanks.
- Corrosion-resistant materials throughout for reliable fresh or salt water service.

| | |
|----------------|--|
| FITTING | Connections for 3/4" (19mm) ID inlet hose, 1-1/2" (38mm) ID outlet hose |
| SIZE | Regular: 18-1/2" wide x 19" deep x 13-3/4" high (47cm x 48cm x 35cm) Compact: 17-3/4" wide x 16" deep x 13-1/2" high (45cm x 41cm x 34cm) |
| WEIGHT | Regular: 23.5lb (11.6kg) Compact: 20.5lb (9.3kg) |

| MODEL | DESCRIPTION |
|------------|----------------------------------|
| 29120-3000 | Regular bowl size |
| 29090-3000 | Compact bowl size |
| 29127-1000 | Replacement Regular Seat and Lid |
| 29097-1000 | Replacement Compact Seat and Lid |
| 29040-3000 | Replacement Pump Assembly |
| 29045-3000 | Service Kit |

For service and spare parts listing, see page 248.



1. Twist 'n' Lock safety handle and flush control lever.
2. Powerful swirl action for efficient flushing.
3. Full-size external seal housing allows quick, clean seal replacement and instant access to pump cylinder.
4. Hygienic pure white vitreous china bowl for ease of cleaning.
5. Full-size regular bowl or compact bowls available.
6. Constant 1-1/2" (38mm) bore wastepipe.
7. Crevice-free contours and smooth moldings for added hygiene.
8. Reversible pump mounting for choice of right or left handed installation.
9. Stylized, luxury wooden seat and cover with tough baked enamel coating.
10. Automatic vacuum breaker for easier pumping.
11. Powerful self-priming pump for above or below waterline installation.
12. Angled pump housing and long stroke for ease of operation.
13. Multi-angled discharge elbow contributes to ease of installation.

Toilet Systems 04

LITE FLUSH TOILETS

Lite Flush Toilets

A new electric toilet designed to instantly retrofit your existing manual toilet or to give your bathroom a modern stylish look.

The Lite Flush is Jabsco's new stylish, low power consuming electric toilet, designed specifically to replace an existing Jabsco manual toilet. The installation is quick and straight-forward due to the same footprint, fixing points and hose attachments as the Jabsco manual toilet.

The compact and lightweight design with its ceramic bowl and plastic outer casing makes it very easy to clean. It is fitted with a new quiet and efficient flush pump which has large clearances to help prevent blockages.

Lite Flush Toilets are available with either a foot switch (left or right fitting) or a wall mounted control panel.

NOTE

For use with lake/sea water only.

For service and spare parts listing, see page 255.

FEATURES

- Lightweight and compact.
- Stylish and contemporary design.
- Slow-close seat and lid.
- Integral rinse and waste pump system.
- Low water usage – 1.3 US quarts (1.2L) per flush.
- Low power consumption.
- Compliance with USCG 183.410 and 8846 Marine Ignition Standard.



Lite Flush with Foot Switch

58500-00XX Series are supplied with a simple to use, one-press foot switch. Simply press once to fill the bowl (bowl can be left wet or dry) and press again to flush.



| | |
|----------------|---|
| FITTING | Connections for 3/4" (19mm) ID inlet hose and 1-1/2" (38mm) outlet hose |
| SIZE | 15-3/4" wide x 15-3/4" deep x 14-3/4" high (40cm x 40cm x 37cm) |
| WEIGHT | 24lb (11kg) |

| MODEL | DESCRIPTION |
|------------|----------------------------------|
| 58500-0012 | Foot switch, 12V DC, fuse 25 amp |
| 58500-0024 | Foot switch, 24V DC, fuse 15 amp |

Lite Flush with Control Panel

58500-10XX Series are supplied with a new multi-function "one touch" wall mounted control panel, which also adapts to standard Gewiss and Vimar fascia panels.



| | |
|----------------|---|
| FITTING | Connections for 3/4" (19mm) ID inlet hose and 1-1/2" (38mm) outlet hose |
| SIZE | 15-3/4" wide x 15-3/4" deep x 14-3/4" high (40cm x 40cm x 37cm) |
| WEIGHT | 24lb (11kg) |

| MODEL | DESCRIPTION |
|------------|------------------------------------|
| 58500-1012 | Control panel, 12V DC, fuse 25 amp |
| 58500-1024 | Control panel, 24V DC, fuse 15 amp |

04 Toilet Systems

ELECTRIC TOILETS & KITS



Electric Conversion for Manual Toilets

This design makes installation of electric toilets both affordable and practical. Boatbuilders find it easier to offer the option of electric or manual toilets to their customers. Boat owners appreciate modern design and the safety of a unit that can be reconverted to manual operation inside fifteen minutes in the event of a power failure. Boatbuilders and boat owners benefit from a conversion kit that makes use of existing manual toilet plumbing.

- Complete for 29090/29120 Series, compact and regular bowl, left or right hand manual toilets.
- Simple rotary control knob offers choice of "Flush and Discharge" or "Discharge Only."
- Existing discharge plumbing remains undisturbed for ease of installation.
- Low power consumption, typically less than the equivalent of 1.0 amp/hour each day.
- Vigorous 5 GPM (20 LPM) flush rate for rapid flushing, typically less than 10 seconds.
- Crevice-free contours for added hygiene.
- Two powerful, self-priming pumps for above or below waterline installation.
- Dual role design macerates waste for both overboard discharge and holdings tanks.
- Automatic inlet water checkvalve for additional security.
- Corrosion-resistant materials throughout for reliable fresh or salt water service.
- Manual pump may be refitted to maintain service in the event of power failure.
- Strong, abrasion-resistant plastic moldings for consistent color match and high gloss finish.
- Retains existing joker valve to maintain automatic back-flow protection.
- Complies with USCG 183.410 and ISO 8846 MARINE (Ignition Protection).



Requires minor repositioning of discharge hose.



| | |
|----------------|---|
| FITTING | Connections for 3/4" (19mm) ID inlet hose, and for existing discharge elbow and outlet hose |
| SIZE | 3-1/2" wide x 6" deep x 10-1/2" high (9cm x 15cm x 27cm) |
| WEIGHT | 7.5lb (3.3kg) |

| MODEL | DESCRIPTION |
|------------|--|
| 29200-0120 | Toilet conversion, 12V DC, fuse 25 amp |
| 29200-0240 | Toilet conversion, 24V DC, fuse 15 amp |
| 29101-0000 | Service Kit, Seals and Gaskets |

For service and spare parts listing, see page 249.

Electric Toilets

Household size bowl complements the luxury of electric flushing with choice of compact bowl where space is at a premium.



- Hygienic pure white vitreous china bowl for ease of cleaning.
- Stylized, luxury wooden seat and cover with tough baked enamel coating.
- Stainless steel and bronze fastenings for reliable salt water service.
- Flushing pump self-priming up to 4' (1.2m) vertical lift.
- May be mounted 3' (1m) below the waterline.
- Equally suitable for overboard or holding tank discharge.
- Built-in backflow preventer.
- For installations fitted with vented loops, use a solenoid valve (see next page).
- Complies with USCG 183.410 and ISO 8846 MARINE (Ignition Protection).

| | |
|----------------|--|
| FITTING | Connections for 5/8" to 3/4" (16mm to 19mm) ID inlet hose, 1" or 1-1/2" (25mm or 38mm) ID outlet hose |
| SIZE | Regular: 14-3/4" wide x 18-1/2" deep x 14-5/8" high (38cm x 47cm x 37cm) Compact: 13-7/8" wide x 17-5/8" deep x 14" high (35cm x 43cm x 35cm) |
| WEIGHT | Regular: 38.5lb (17.3kg) Compact: 34lb (15.4kg) |

| MODEL | DESCRIPTION |
|------------|-----------------------------------|
| 37010-0090 | Compact size, 12V DC, fuse 25 amp |
| 37010-0096 | Compact size, 24V DC, fuse 15 amp |
| 37010-1090 | Regular size, 12V DC, fuse 25 amp |
| 37010-1096 | Replacement Regular Seat and Lid |
| 29127-1000 | Replacement Compact Seat and Lid |
| 29097-1000 | Replacement Compact Seat and Lid |
| 37040-0000 | Service Kit, Seals and O-Rings |

For service and spare parts listing, see page 250.

Electric Kits

Convert our Manual Toilet Compact and Regular Bowl models to full electric operation without need to alter existing inlet or discharge seacocks.

- Also converts most toilets with four bolt screw pattern on a 3-3/4" (95mm) diameter bolt circle such as Groco, Raritan, Wilcox Crittenden, Mansfield and Sealand.
- Push-button flushing for ease and simplicity of operation.
- Comprehensive kit has all necessary parts, including flushing pump, macerator pump, switch, adapters, clamps, hose and fastenings.
- Flushing pump self-priming up to 4' (1.2m) vertical lift.
- May be installed 3' (1m) below the waterline.
- For installations fitted with vented loops, use a solenoid valve on inlet hose (see below).
- Complies with USCG 183.410 and ISO 8846 MARINE (Ignition Protection).



| | |
|----------------|---|
| FITTING | Connections for 5/8" to 3/4" (16mm to 19mm) ID inlet hose, 1" or 1-1/2" (25mm or 38mm) ID outlet hose |
| SIZE | 13-1/4" long x 8-1/4" wide x 3-1/4" high (34cm x 21cm x 8cm) |
| WEIGHT | 12.5lb (5.7kg) |

| MODEL | DESCRIPTION |
|------------|-------------------------------|
| 37010-0092 | 12V DC, fuse 25 amp |
| 37010-0097 | 24V DC, fuse 15 amp |
| 37040-0000 | Service Kit, Seal and Gaskets |

For service and spare parts listing, see page 250.

Solenoid Valve for 37010 Series Electric Toilets

Where 37010 Series Electric Toilets are installed below the waterline, we recommend installing a loop on the inlet plumbing rising at least 8" (20cm) above the highest (static or heeled) waterline level, and installing a vented loop fitting at the top of the loop to stop water siphon over the loop and flooding the vessel.

The suction generated by 37010 Series Electric Toilets will open the valve in vented loops, drawing in air and preventing priming. The 37068-2000 Solenoid Valve attaches directly to Jabsco Vented Loops and is wired to the toilet's on/off switch. It closes whenever the toilet pump is operated and ensures full pump priming.



| MODEL | DESCRIPTION |
|------------|---|
| 37068-2000 | Solenoid Valve for use with 12V or 24V DC |

FOR USE WITH

| MODEL | DESCRIPTION |
|------------|---|
| 29015-0000 | 3/4" (19mm) Vented Loop (see page 48) |
| 29295-1011 | Recommended Accessory: 3/4" (19mm) Inlet Non-Return Valve (see page 48) |

04 Toilet Systems

QUIET FLUSH ELECTRIC TOILETS

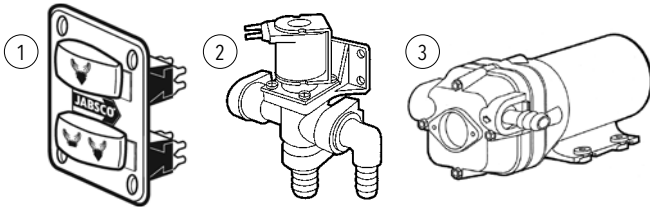


Quiet Flush Electric Toilets

Quiet Flush Toilets are a variation of the well proven and popular 37010 Series Electric Toilet. Designed to radically reduce noise levels, Quiet Flush Toilets make life onboard more comfortable for all crew members, even those sleeping!

Two versions are available, either for connection to the vessel's existing pressurized water system or supplied with a remote mounted pump to use salt, river or lake water to flush.

- May be mounted up to 3' (1m) below the waterline with proper plumbing to prevent flooding.
- Both models feature a powerful macerator discharge pump that breaks up waste and evacuates the toilet.
- Both models are supplied complete with 6' (2m) of white hose to neatly connect the inlet bowl fitting to either the solenoid valve/siphon breaker assembly or inlet pump.
- Available in regular or compact bowl sizes.
- Hygienic, pure white vitreous china bowl for ease of cleaning.
- Complies with USCG 183.410 and ISO 8846 MARINE (Ignition Protection).



1. Three-way control panel allows the operator to select a normal flush and drain cycle, or to lower or raise the water level.
2. 37245 Series are supplied with a remote mounted, quiet-running flush pump to bring in sea, river or lake water for flushing. Complete with Pumpgard™ strainer.
3. 37045 Series are supplied with a solenoid valve and siphon breaker assembly for connection to any existing pressurized water pump with a flow rate of 3.5 GPM (13.5 LPM) or more. The siphon breaker prevents backflow from the toilet to the water system.



| | |
|----------------|---|
| FITTING | Connections for 3/4" (19mm) ID inlet hose and 1" (25mm) discharge hose. Adapter included for connection to 1-1/2" (38mm) discharge hose. |
| SIZE | Regular: 14-1/2" wide x 19-3/4" deep x 14-1/2" high (37cm x 50cm x 37cm) Compact: 13-1/2" wide x 16-1/2" deep x 13-3/4" high (35cm x 42cm x 34.5cm) |
| WEIGHT | 37045 Compact Fresh Water: 34lb (15.4kg) 37245 Compact Salt Water: 38lb (17.2kg) 37045 Regular Fresh Water: 38lb (17.36kg) 37045 Regular Salt Water: 42lb (19.1kg) |

| MODEL | DESCRIPTION |
|------------|--|
| 37045-0092 | Compact size, 12V DC, fuse 25 amp, fresh water |
| 37045-0094 | Compact size, 24V DC, fuse 15 amp, fresh water |
| 37045-1092 | Regular size, 12V DC, fuse 25 amp, fresh water |
| 37045-1094 | Regular size, 24V DC, fuse 15 amp, fresh water |
| 37245-0092 | Compact size, 12V DC, fuse 25 amp, salt water |
| 37245-0094 | Compact size, 24V DC, fuse 15 amp, salt water |
| 37245-1092 | Regular size, 12V DC, fuse 25 amp, salt water |
| 37245-1094 | Regular size, 24V DC, fuse 15 amp, salt water |
| 29127-1000 | Replacement Regular Seat and Lid |
| 29097-1000 | Replacement Compact Seat and Lid |
| 90197-0000 | Service Kit, Seal and O-Rings for head macerator |

For service and spare parts listing, see page 251.

Quiet Flush Electric Kits



Build your own Quiet Flush Toilet using existing Jabsco 37010 Series Toilets or any manual or electric toilet bowl with bolt fixing on a 3-3/4" (95mm) diameter circle, to upgrade to Quiet Flush operation. The same options are available as the complete toilet for fresh or salt water flush.

- Comprehensive kit has all necessary components, except bowl, seat and lid.
- Complies with USCG 183.410 and ISO 8846 MARINE (Ignition Protection).

| | |
|----------------|--|
| FITTING | Connections for 3/4" (19mm) ID inlet hose and 1" (25mm) discharge hose. Adapter included for connection to 1-1/2" (38mm) discharge hose. |
| SIZE | 12" long x 8-1/4" wide x 3-1/4" high (32cm x 21cm x 8cm) |
| WEIGHT | 37055 Series: 12.5lb (5.7kg) 37255 Series: 16.5lb (7.5kg) |

| MODEL | DESCRIPTION |
|------------|----------------------------------|
| 37055-0092 | 12V DC, fuse 25 amp, fresh water |
| 37055-0094 | 24V DC, fuse 15 amp, fresh water |
| 37255-0092 | 12V DC, fuse 25 amp, salt water |
| 37255-0094 | 24V DC, fuse 15 amp, salt water |
| 90197-0000 | Service Kit, Seal and Gaskets |

For service and spare parts listing, see page 251.

04 Toilet Systems

DELUXE FLUSH ELECTRIC TOILETS



Deluxe Flush Electric Toilets

The Deluxe Flush range is Jabsco's newest offering to the top of the range electric toilet market. This range is now complete with the new 14" and existing 17" electric toilets.

The stylish and extremely compact design is carefully contoured to conceal the flush pump, wiring and plumbing, while still featuring a full-size household seat.

Both 14" and 17" electric toilets are offered in a choice of a slant back or a straight back. The slant back version gives a minimal footprint and makes it easy to mount against a sloping surface or in a corner. The straight back version allows snug fitting against a vertical bulkhead.

The toilets feature a new multifunctional "one touch" control pad which adapts to standard Gewiss and Vimar switch fascias.

FEATURES

- Virtually silent operation for comfort onboard.
- Choice of four rinse options for minimum water usage 1.5 US quarts (1.5L).
- Fresh or salt water flush options.
- Anti-blocking centrifugal flush pump.
- High vitreous china bowl.
- No "dirt traps" for maximum hygiene and easy cleaning.
- Complies with USCG 183.410 and ISO 8846 MARINE (Ignition Protection).



| MODEL | DESCRIPTION |
|--------------|---|
| 582X0 Series | Supplied with a remote mounted self-priming pump to bring in sea, river or lake water to rinse. Complete with Pumpgard™ strainer. |
| 580X0 Series | Supplied with a solenoid valve and siphon breaker assembly for connection to any existing pressurized water system capable of delivering 2.9 GPM (11 LPM) or more. The siphon breaker ensures there is no backflow from the toilet into the water system. |

For service and spare parts listing, see page 253.

Deluxe Flush 14" Straight Back Electric Toilets



Straight Back

| | |
|----------------|---|
| FITTING | Connections for 3/4" (19mm) ID inlet hose and 1-1/2" (38mm) outlet hose |
| SIZE | 14-1/2" wide x 17-5/8" deep x 14-3/8" high (37cm x 45cm x 36cm) |
| WEIGHT | 58080 Series: 55lb (25kg) 58280 Series: 60lb (27kg) |

| MODEL | DESCRIPTION |
|------------|---|
| 58080-1012 | 14" straight back bowl with solenoid valve, 12V DC, fuse 25 amp |
| 58080-1024 | 14" straight back bowl with solenoid valve, 24V DC, fuse 15 amp |
| 58280-1012 | 14" straight back bowl with intake pump, 12V DC, fuse 25 amp |
| 58280-1024 | 14" straight back bowl with intake pump, 24V DC, fuse 15 amp |

Deluxe Flush 14" Slant Back Electric Toilets



Slant Back

| | |
|----------------|---|
| FITTING | Connections for 3/4" (19mm) ID inlet hose and 1-1/2" (38mm) outlet hose |
| SIZE | 14-1/2" wide x 17-5/8" deep x 14-3/8" high (37cm x 45cm x 36cm) |
| WEIGHT | 58060 Series: 53lb (24kg) 58260 Series: 57lb (26kg) |

| MODEL | DESCRIPTION |
|------------|--|
| 58060-1012 | 14" slanted back bowl with solenoid valve, 12V DC, fuse 25 amp |
| 58060-1024 | 14" slanted back bowl with solenoid valve, 24V DC, fuse 15 amp |
| 58260-1012 | 14" slanted back bowl with intake pump, 12V DC, fuse 25 amp |
| 58260-1024 | 14" slanted back bowl with intake pump, 24V DC, fuse 15 amp |

Deluxe Flush 17" Straight Back Electric Toilets



Straight Back

| | |
|----------------|---|
| FITTING | Connections for 3/4" (19mm) ID inlet hose and 1-1/2" (38mm) outlet hose |
| SIZE | 14-1/2" wide x 17-1/2" deep x 17-1/4" high (37cm x 44.5cm x 44cm) |
| WEIGHT | 58040 Series: 69lb (31kg) 58240 Series: 64lb (29kg) |

| MODEL | DESCRIPTION |
|------------|---|
| 58040-1012 | 17" straight back bowl with solenoid valve, 12V DC, fuse 25 amp |
| 58040-1024 | 17" straight back bowl with solenoid valve, 24V DC, fuse 15 amp |
| 58240-1012 | 17" straight back bowl with intake pump, 12V DC, fuse 25 amp |
| 58240-1024 | 17" straight back bowl with intake pump, 24V DC, fuse 15 amp |

Deluxe Flush 17" Slant Back Electric Toilets



Slant Back

| | |
|----------------|---|
| FITTING | Connections for 3/4" (19mm) ID inlet hose and 1-1/2" (38mm) outlet hose |
| SIZE | 14-1/2" wide x 17-1/2" deep x 17-1/4" high (37cm x 44.5cm x 44cm) |
| WEIGHT | 58020 Series: 62lb (28kg) 58220 Series: 67lb (30kg) |

| MODEL | DESCRIPTION |
|------------|--|
| 58020-1012 | 17" slanted back bowl with solenoid valve, 12V DC, fuse 25 amp |
| 58020-1024 | 17" slanted back bowl with solenoid valve, 24V DC, fuse 15 amp |
| 58220-1012 | 17" slanted back bowl with intake pump, 12V DC, fuse 25 amp |
| 58220-1024 | 17" slanted back bowl with intake pump, 24V DC, fuse 15 amp |

04 Toilet Systems

ACCESSORIES



Outlet Non-Return Valve

A non-return valve can be used to help prevent waste backflow on electric toilets. Simply fit discharge hose close to the toilet.



| MODEL | DESCRIPTION |
|------------|---|
| 58109-1000 | 1-1/2" (38mm) Outlet Non-Return Joker Valve |

Y-Valve

Robust Y-Valve for use in toilet applications. Allows waste to be pumped overboard or into a holding tank.

- Rotating ports allow for variable routing of hoses onto the valve.
- Can be operated through bulkhead by use of optional handle extension.
- Can be padlocked so that waste can only go to the holding tank to comply with some local regulations (padlock not included).
- Waste and corrosion-resistant construction throughout.



| | |
|----------------|--|
| FITTING | Connections for two 1-1/2" (38mm) ports and 1" (25mm) inlet port |
| SIZE | 7-5/8" long x 7-1/4" wide x 4-5/8" high (20cm x 19cm x 12cm) |
| WEIGHT | 2lb (0.9kg) |

| MODEL | DESCRIPTION |
|------------|-----------------------|
| 45490-1000 | Y-Valve |
| 45500-1000 | Handle Extension Kit |
| 45493-0000 | Replacement Handle |
| 18753-0661 | Replacement Ports Kit |
| 45488-0000 | Service Kit |

Inlet Non-Return Valve

A check valve gives quicker and easier flushing response on many manual and 37010 Series Electric Toilet installations.



- For use with manual and electric toilets using sea water flush.
- Simply fit inlet suction hose near seacock, but just above waterline.
- Prevents loss of prime in above-waterline installations.
- Retains water in bowl of 37010 Series Electric Toilets installed above waterline.

| | |
|----------------|--|
| FITTING | Connections for 3/4" (19mm) ID hose |
| SIZE | 4-1/4" long x 2-1/8" wide x 2" high (10.8cm x 5.5cm x 5cm) |
| WEIGHT | 0.25lb (0.1kg) |

| MODEL | DESCRIPTION |
|------------|------------------------|
| 29295-1011 | Inlet Non-Return Valve |

Vented Loops

An essential safety component on all inlet and discharge plumbing of toilets installed below the static or heeled waterline.

- Simple valve system ensures water cannot siphon over plumbing loops.
- Available in three sizes for 1-1/2" (38mm), 1" (25mm) and 3/4" (19mm) ID hose.
- Internal valve avoids need for external venting.
- Molded in tough, corrosion-proof plastic.



| | |
|----------------|--|
| FITTING | Connections for 3/4" (19mm), 1" (25mm) and 1-1/2" (38mm) ID hose |
| SIZE | 3/4" (19mm) Model: 3" high x 3-3/4" wide x 1" deep (7.5cm x 9.5cm x 2.5cm) 1" (25mm) Model: 5" high x 7-1/2" wide x 1-3/4" deep (12.5cm x 19cm x 4.5cm) 1-1/2" (38mm) Model: 5" high x 7-1/4" wide x 2" deep (12.5cm x 18.5cm x 5cm) |
| WEIGHT | 3/4" (19mm) Model: 1.5oz (0.04kg) 1" (25mm) Model: 0.25lb (0.13kg) 1-1/2" (38mm) Model: 0.5lb (0.2kg) |

| MODEL | DESCRIPTION |
|------------|--|
| 29015-0000 | 3/4" (19mm) model |
| 29015-0020 | 1" (25mm) model |
| 29015-0010 | 1-1/2" (38mm) model |
| 29015-1000 | Replacement valve. Only available in Europe. |

Waste Pump

Robust diaphragm pump passes solids and is particularly effective in emptying holding tanks. The multi-positional pump head offers a variety of installation options.

- 5 GPM (19 LPM) output.
- Self-priming up to 10' (3m).
- Capable of extensive dry running.
- Compact and simple design.
- Quiet running.
- Flexible installation.
- Corrosion-resistant parts.
- Complies with USCG 183.410 and ISO 8846 MARINE (Ignition Protection).
- ISO 8849 MARINE (Bilge Pump Standard).



| | |
|----------------|---|
| FITTING | Connections for 1-1/2" (38mm) ID hose |
| SIZE | 10.9" long x 6.1" wide x 4.4" high (27.7cm x 15.5cm x 11.1cm) |
| WEIGHT | 6lb (2.7kg) |

| MODEL | DESCRIPTION |
|------------|---------------------|
| 50890-1000 | 12V DC, fuse 10 amp |
| 50890-1100 | 24V DC, fuse 5 amp |
| SK890 | Service Kit |

For service and spare parts listing, see page 231.

Toilet Pumpgard™

The Pumpgard™ protects manual or electric toilets from pump malfunctions caused by debris.

- Simply installed in 3/4" (19mm) ID inlet hose.
- Transparent housing allows instant inspection.
- Screw-off top allows quick in-place cleaning and removal of debris.



| | |
|----------------|--|
| FITTING | Connections for 3/4" (19mm) ID hose |
| SIZE | 4-3/4" long x 2-3/4" wide x 2-1/2" high (12cm x 7cm x 6cm) |

| MODEL | DESCRIPTION |
|------------|-----------------------------|
| 46400-0000 | Toilet Pumpgard™ |
| 18753-0040 | Replacement 40# Mesh Filter |

Run-Dry Macerator Waste Pump

The latest version of the Macerator Pump now has a fully sealed motor and a new, more powerful chopper blade. The sealed motor consists of O-ring sealed endbells, sealed bearings, and a hard, durable powder coating to prevent corrosion from occurring both internally and externally. A new four-bladed chopper has been added to further reduce the possibility of clogging. The pump still has the Run-Dry feature present in previous models.



- Triple-sealed motor to prevent both internal and external motor corrosion.
- New four-bladed chopper reduces clogging.
- New stainless steel bolts.
- Detects the absence of fluid then shuts off pump before impeller is damaged.
- Sensor provides adequate run-dry period to allow initial priming of the pump.
- Flow rate to 12 GPM (45 LPM).
- Self-priming to 4' (1.2m) vertical lift.
- Complies with USCG 183.410 and ISO 8846 MARINE (Ignition Protection).

| | |
|----------------|--|
| FITTING | Inlet Port: 1-1/2" (38mm) hose barb plus 1-1/2" (38mm) NPT Inlet port, RV Model: 3" (75mm) hose Discharge Port: 1" (25mm) hose barb |
| SIZE | 11-3/8" long x 4-3/4" wide x 3-5/8" high (29cm x 12cm x 9cm). RV model is only 8-1/4" long (21cm). |
| WEIGHT | 5lb (2.3kg) |

| MODEL | DESCRIPTION |
|------------|---------------------------|
| 18590-2092 | 12V DC pump, marine model |
| 18590-2094 | 24V DC pump, marine model |
| 17288-1000 | Replacement Bolt Kit |
| 18598-1000 | Service Kit |

For service and spare parts listing, see page 256.

*Products marked do not comply with European legislation.



WARNING

Explosion Hazard.
Pumps with AC motors can spark. Explosion and death can occur.
Do not use where flammable vapors are present.

04 Toilet Systems

NEW CERAMIC DESIGNS



New for 2016!

We have redesigned our ceramic range to offer our customers even more luxury on board their boat.

In 2016, we launch our new ceramic designs which will directly replace all existing models; the new designs will be fully compatible with existing pump systems found on our manual and electric toilet models.

The updated models are styled to meet both the functional and aesthetic demands of today's boat designers and boat owners alike. New for the 2016 models are Soft Close Seat and Lid options; these are available on a variety of models within our extensive range (see our part number cross reference table on the next page for details).

All compact and large bowl manual and electric toilets will change to the new design. We will also update the 17" Vertical Deluxe Flush, followed by the 14" Vertical Deluxe Flush. Both the 17" and 14" Angled Deluxe Flush will remain as they are.

PLEASE CONTACT YOUR LOCAL DISTRIBUTOR FOR MORE INFORMATION.

Jabsco Marine Toilets

THE FIRST CHOICE FOR BOATERS

- New bowl and seat design featuring white vitreous china bowl.
- Space-saving, stylish design available in compact or large bowl options.
- Enameled wooden seat and cover; soft close option on select models.
- Crevice-free contours and smooth moldings for added hygiene and easy cleaning.
- Versatile plumbing design for easy installation.
- Self-priming pump units suitable for fresh or sea water installation.



Cross Reference Guide

In 2016, our Jabsco toilets will be updated. We are changing the ceramic bowl, which will mean new part numbers for all models. All large bowl toilets will have a Soft Close Seat option as well as the standard wooden seat. See the table below for replacement part numbers and new Soft Close numbers.

| JABSCO TOILET MODEL | CURRENT PART NUMBER | NEW PART NUMBER |
|---|---------------------|-----------------|
| Manual Toilets | | |
| Manual Toilet, Compact | 29090-3000 | 29090-5000 |
| Manual Toilet, Regular | 29120-3000 | 29120-5000 |
| Manual Toilet, Regular, Soft Close | – | 29120-5100 |
| Electric Toilets | | |
| Electric Toilet, Compact 12V | 37010-0090 | 37010-3092 |
| Electric Toilet, Compact 24V | 37010-0096 | 37010-3094 |
| Electric Toilet, Regular 12V | 37010-1090 | 37010-4092 |
| Electric Toilet, Regular 12V, Soft Close | – | 37010-4192 |
| Electric Toilet, Regular 24V | 37010-1096 | 37010-4094 |
| Electric Toilet, Regular 24V, Soft Close | – | 37010-4194 |
| Quiet Flush Electric Toilets | | |
| Quiet Flush Toilet, Solenoid, Compact 12V | 37045-0092 | 37045-3092 |
| Quiet Flush Toilet, Pump, Compact 12V | 37245-0092 | 37245-3092 |
| Quiet Flush Toilet, Solenoid, Compact 24V | 37045-0094 | 37045-3094 |
| Quiet Flush Toilet, Pump, Compact 24V | 37245-0094 | 37245-3094 |
| Quiet Flush Toilet, Pump, Regular 12V | 37245-1092 | 37245-4092 |
| Quiet Flush Toilet, Pump, Regular 12V, Soft Close | – | 37245-4192 |
| Quiet Flush Toilet, Solenoid, Regular 12V | 37045-1092 | 37045-4092 |
| Quiet Flush Toilet, Solenoid, Regular 12V, Soft Close | – | 37045-4192 |
| Quiet Flush Toilet, Solenoid, Regular 24V | 37045-1094 | 37045-4094 |
| Quiet Flush Toilet, Solenoid, Regular 24V, Soft Close | – | 37045-4194 |
| Quiet Flush Toilet, Pump, Regular 24V | 37245-1094 | 37245-4094 |
| Quiet Flush Toilet, Pump, Regular 24V, Soft Close | – | 37245-4194 |
| Deluxe Flush Electric Toilets | | |
| 17" Vertical, Solenoid, 12C | 58040-1012 | 58040-2012 |
| 17" Vertical, Solenoid, 12V, Soft Close | – | 58040-3012 |
| 17" Vertical, Solenoid, 24V | 58040-1024 | 58040-2024 |
| 17" Vertical, Solenoid, 24V, Soft Close | – | 58040-3024 |
| 17" Vertical, Pump, 12V | 58240-1012 | 58240-2012 |
| 17" Vertical, Pump, 12V, Soft Close | – | 58240-3012 |
| 17" Vertical, Pump, 24V | 58240-1024 | 58240-2024 |
| 17" Vertical, Pump, 24V, Soft Close | – | 58240-3024 |
| 14" Vertical, Solenoid, 12V | 58080-1012 | 58080-2012 |
| 14" Vertical, Solenoid, 12V, Soft Close | – | 58080-3012 |
| 14" Vertical, Solenoid, 24V | 58080-1024 | 58080-2024 |
| 14" Vertical, Solenoid, 24V, Soft Close | – | 58080-3024 |
| 14" Vertical, Pump, 12V | 58280-1012 | 58280-2012 |
| 14" Vertical, Pump, 12V, Soft Close | – | 58280-3012 |
| 14" Vertical, Pump, 24V | 58280-1024 | 58280-2024 |
| 14" Vertical, Pump, 24V, Soft Close | – | 58280-3024 |

05 Water Pressure Systems

INTRODUCTION

JABSCO®

Pressure Controlled Diaphragm Pumps



Pressure controlled diaphragm pumps provide boat owners with a fresh water system that is as easy to use as their domestic water supply – with the versatility to offer full flow or a trickle. The pump is controlled by a switch which senses the pressure drop when a faucet is opened and activates the pump; it turns off when the system pressure builds to a pre-set limit as the faucet is closed. This system allows any type of faucet or shower valve to be fitted, from 3/8" (10mm) bore for minimum water use to 1/2" (13mm) bore for maximum flow. Choosing the pump for your needs is simple – just check your system size and the number of outlets you need to operate simultaneously and select the appropriate pump. Diaphragm pumps are self-priming, quiet in operation and can run dry for extended periods.

It is always best to turn the pump off and then open a tap to de-pressurize the system when you are not using the boat, as this will prolong pump life.

Accumulator Tanks



Accumulator tanks hold a reservoir of air and water downstream from the pump. The air acts as a cushion, absorbing pump and pressure fluctuations, smoothing the flow and making the system quieter. Accumulators allow the pump to reach shut-off pressure more smoothly which reduces the on/off cycle and gives better control of hot water delivery.

Our accumulator tanks all have a bladder that separates water from air. The bladder is pre-pressurized, but may need fine tuning when installed to give the most efficient performance. One of the advantages of an accumulator tank is that they can dispense up to half of their capacity of water even when the pump is switched off. So the bigger the reservoir, the more water you have available without having to switch the pump on, helping you wash your hands or clean your teeth without noise.

Washdown Pumps

Washdown pumps are a development of our Water Pressure System Pumps. Higher shut-off pressure switches prevent on/off cycling while salt water compatible trigger nozzles let you blast off mud and dirt and then rinse down.



Water Pressure Regulators

Inlet water regulators are designed to protect your boat water system plumbing and fixtures from the possible high pressure of municipal water systems. Regulation is controlled at all flow rates by a pre-set spring, and a removable strainer traps debris. Both in-line portable and permanent flush mount models are available in our line of diaphragm sealed regulators.

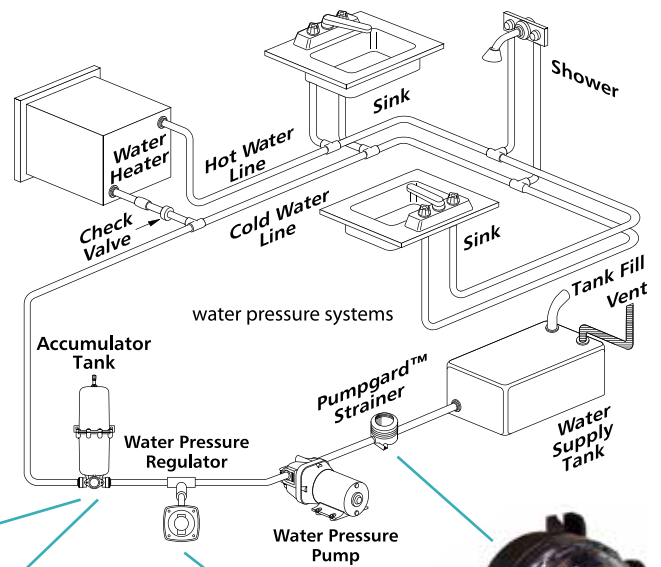


Pumpgard™ Strainers

Inlet strainers are an essential part of any fresh water system using a diaphragm pump – protecting the valves from small particles in the water. Our Pumpgards™ have been designed for easy installation and rapid filter screen cleaning, having a transparent bowl that screws off to allow simple, regular inspection.



Multi-Outlet Water Pressure Systems



1, 1.9, 2.9, 4, 5, and 6 GPM

Water Pressure Regulators

05 Water Pressure Systems

AUTOMATIC PRESSURE CONTROLLED PUMPS



PAR-Max 1

Miniature multi-outlet water pressure pump serves one or two 3/8" (10mm) outlets at any one time.



- Self-priming up to 6' (1.8m).
- Dual diaphragm operation.
- Thermal overload protection automatically stops motor should it overheat due to overload, with auto restart feature.
- Diaphragm design allows dry running.
- Pressure switch cut-in at 22 psi (1.5 bar), cut-out at 35 psi (2.4 bar).
- Complies with USCG 183.410 and ISO 8846 MARINE (Ignition Protection).
- Three-year warranty.

| | |
|--------------------------|--|
| FLOW | 1 GPM (3.8 LPM) |
| SHUT-OFF PRESSURE | 35 psi (2.4 bar) |
| FITTING | Two 1/4" (6mm) straight John Guest |
| SIZE | 6.47" long x 4.05" wide x 2.66" high (16.4cm x 10.3cm x 6.8cm) |
| WEIGHT | 1.3lb (0.6kg) |

| MODEL | DESCRIPTION |
|--------------|---|
| 42630-2992-P | 12V DC, fuse 4 amp, 3.5 amp draw @ 25 psi |
| 42630-2994-P | 24V DC, fuse 3 amp, 2.5 amp draw @ 25 psi |
| 42630-3992-P | 12V DC, fuse 4 amp, 3.5 amp draw @ 25 psi, tubing, faucet |
| 42630-3994-P | 24V DC, fuse 3 amp, 2.5 amp draw @ 25 psi, tubing, faucet |

PAR-Max 1.9

The PAR-Max 1.9 Water System Pump is designed for vessels requiring a smooth low flow, 12 or 24 volt DC pump at an attractive low price. This new pump is an internally grounded, three chamber diaphragm on-demand pump with the performance characteristics to match the needs of a typical vessel with a shower, water heater and up to three faucets.



Offers a smooth flow of up to 1.9 GPM (7.2 LPM) and is fitted with a built-in pulsation dampening bypass to control unwanted cycling and noise. We include quick-connect fittings for ease of pump installation.

- Self-priming up to 6-10' (2-3m).
- Dry running.
- Soft rubber mounts.
- Corrosion resistant.
- Complies with ISO 8846 MARINE (Ignition Protection).
- Low noise.
- Less pulsation in the flow.
- Screw-less diaphragm design eliminates possible leak paths.
- Distinctive style.
- Can eliminate the requirement for an accumulator tank.
- Three-year warranty.

| | |
|--------------------------|---|
| FLOW | 1.9 GPM (7.2 LPM) |
| SHUT-OFF PRESSURE | 25 psi (1.7 bar) |
| FITTING | Two 1/2" (13mm) straight pipe thread ports, two 1/2" (13mm) straight hose barbs |
| SIZE | 9" long x 4.24" wide x 4.75" high (22.9cm x 10.6cm x 12.1cm) |
| WEIGHT | 3lb (1.4kg) |

| MODEL | DESCRIPTION |
|------------|--|
| 31295-0092 | 12V DC, fuse 10 amp, 5.2 amp draw @ 10 psi |
| 31295-0094 | 24V DC, fuse 5 amp, 1.5 amp draw @ 10 psi |

For service and spare parts listing, see page 238.

PAR-Max 2.9

The PAR-Max 2.9 Water System offers a smooth flow of up to 2.9 GPM (10.9 LPM) and is fitted with a built-in pulsation dampening bypass to control unwanted cycling and noise. We include quick-connect fittings for ease of pump installation.



- Self-priming up to 6-10' (2-3m).
- Dry running.
- Soft rubber mounts.
- Corrosion resistant.
- Complies with ISO 8846 MARINE (Ignition Protection).
- Low noise.
- Less pulsation in the flow.
- Screw-less diaphragm design eliminates possible leak paths.
- Distinctive style.
- Can eliminate the requirement for an accumulator tank.
- Three-year warranty.

| | |
|--------------------------|--|
| FLOW | 2.9 GPM (11 LPM) |
| SHUT-OFF PRESSURE | 25-50 psi (1.7-3.5 bar) |
| FITTING | Two 1/2" (13mm) straight hose barbs |
| SIZE | 9" long x 4.24" wide x 4.75" high (22.9cm x 10.6cm x 12.1cm) |
| WEIGHT | 4lb (1.8kg) |

| MODEL | DESCRIPTION |
|------------|--|
| 31395-0092 | 50 psi (3.5 bar), 12V DC, fuse 10 amp, 7.5 amp draw @ 50 psi |
| 31395-0094 | 50 psi (3.5 bar), 24V DC, fuse 5 amp, 2.6 amp draw @ 10 psi |
| 31395-0292 | 25 psi (1.7 bar), 12V DC, fuse 10 amp, 7.5 amp draw @ 50 psi |
| 31395-0294 | 25 psi (1.7 bar), 24V DC, fuse 5 amp, 2.6 amp draw @ 10 psi |
| 31395-0392 | 40 psi (2.8 bar), 12V DC, fuse 10 amp, 7.5 amp draw @ 50 psi |
| 31395-0394 | 40 psi (2.8 bar), 24V DC, fuse 5 amp, 2.6 amp draw @ 10 psi |

For service and spare parts listing, see page 238.

PAR-Max 3.5

This conventional pressure switch controlled pump enjoys the same pulsation-free three chamber diaphragm design as our PAR-Max 2.9 and 1.9, but incorporates a heavy-duty motor, giving higher flows and long life for such a small footprint.



Like all Jabsco Water Pressure System Pumps, it is inherently quiet, self-priming and can run dry without damage. Quick-connect fittings are included.

- Self-priming up to 10' (3m).
- Three-year warranty.

| | |
|--------------------------|---|
| FLOW | 3.5 GPM (13.2 LPM) |
| SHUT-OFF PRESSURE | 25-40 psi (1.7-2.8 bar) |
| FITTING | Two 1/2" (13mm) straight hose barbs, Two 1/2" (13mm) straight QEST |
| SIZE | 9" long x 4.24" wide x 4.75" high (22.9cm x 10.6cm x 12.1cm) |
| WEIGHT | 5lb (2.1kg) |

| MODEL | DESCRIPTION |
|------------|---|
| 32600-0092 | 40 psi (2.8 bar), 12V DC, fuse 15 amp, 8 amp draw @ 10 psi |
| 32600-0094 | 40 psi (2.8 bar), 24V DC, fuse 10 amp, 4 amp draw @ 10 psi |
| 32600-0292 | 25 psi (1.78 bar), 12V DC, fuse 15 amp, 8 amp draw @ 10 psi |
| 32600-0294 | 25 psi (1.7 bar), 24V DC, fuse 10 amp, 4 amp draw @ 10 psi |

PAR-Max 4.0

Multi-outlet water pressure pump serves four or more 1/2" (13mm) outlets at any one time. Snap-fit ports simplify both installation and removal for routine service.



- 4.3 GPM (16.3 LPM) open flow output.
- Self-priming up to 10' (3m).
- Four piston diaphragm sealed for smooth and quiet operation.
- Thermal overload protection automatically stops motor should it overheat due to overload, with auto restart feature.
- Diaphragm design allows dry running.
- Pressure switch cut-in at 10 psi (0.7 bar), cut-out at 25 psi (1.7 bar), low pressure, or cut-in at 20 psi (1.4 bar), cut-out at 40 psi (2.8 bar), high pressure.
- Complies with USCG 183.410 and ISO 8846 MARINE (Ignition Protection).

| | |
|--------------------------|---|
| FLOW | 4.3 GPM (16.3 LPM) |
| SHUT-OFF PRESSURE | 25-40 psi (1.7-2.8 bar) |
| FITTING | Two 1/2" (13mm) straight hose barbs, Two 1/2" (13mm) straight QEST |
| SIZE | 9.8" long x 4.2" wide x 4.1" high (25cm x 10.6cm x 10cm) |
| WEIGHT | 6lb (2.7kg) |

| MODEL | DESCRIPTION |
|------------|--|
| 31620-0092 | 40 psi (2.8 bar), 12V DC, fuse 15 amp, 6 amp draw @ 10 psi |
| 31620-0094 | 40 psi (2.8 bar), 24V DC, fuse 7 amp, 3 amp draw @ 10 psi |
| 31620-0292 | 25 psi (1.7 bar), 12V DC, fuse 15 amp, 6 amp draw @ 10 psi |
| 31620-0294 | 25 psi (1.7 bar), 24V DC, fuse 7 amp, 3 amp draw @ 10 psi |

05 Water Pressure Systems

AUTOMATIC PRESSURE CONTROLLED PUMPS



PAR-Max Plus Series

The high pressure capability of the new Jabsco PAR-Max Plus Series Water Pressure Pumps, available in 4.0, 5.0 and 6.0 GPM models, provides exceptional flow and consistent water pressure to easily handle the demand of multiple outlets at one time.



All PAR-Max Plus models include soft rubber mounts and quick-connect fittings for ease of installation.

- Sealed switch and co-molded diaphragm eliminates leak paths, extending the life of the pumps by up to 50%.
- Automatic pressure switch, tested over 4 million cycles without failure.
- Quick-disconnect ports allow for adjustability and ease of installation.
- Improved noise dampening rubber feet significantly minimize vibration when mounted against hard surface.
- Available in 12V or 24V DC.
- Certified to EN ISO 8846 Marine (Ignition Protection).

| | |
|--------------------------|--|
| FLOW | 4.0-6.0 GPM (15.1-22.7 LPM) |
| SHUT-OFF PRESSURE | 25-60 psi (1.7-4.3 bar) |
| FITTING | 4.0 and 5.0 Models: Two 1/2" (13mm) straight hose barbs, Two 1/2" (13mm) straight QEST, Two 1/2" (13mm) elbow QEST 6.0 Model: Two 3/4" (19mm) straight QEST, Two 3/4" (19mm) elbow QEST |
| SIZE | 4.0 Model: 9.91" long x 5.09" wide x 4.34" high (25.2cm x 112.9cm x 11.1cm) 5.0 and 6.0 Models: 10.6" long x 5.09" wide x 4.34" high (26.9cm x 112.9cm x 11.1cm) |
| WEIGHT | 4.0 Model: 7.6lb (3.5kg) 5.0 and 6.0 Models: 7.6lb (3.5kg) |

4.0 GPM MODELS

| MODEL | DESCRIPTION |
|------------|--|
| 82400-0092 | 60 psi (4.3 bar), 12V DC, fuse 20 amp, 15 amp draw maximum |
| 82400-0094 | 60 psi (4.3 bar), 24V DC, fuse 15 amp, 6 amp draw @ 60 psi |
| 82400-0292 | 40 psi (2.8 bar), 12V DC, fuse 15 amp, 9 amp draw @ 40 psi |
| 82400-0294 | 40 psi (2.8 bar), 24V DC, fuse 15 amp, 6 amp draw @ 40 psi |
| 82400-0392 | 25 psi (1.7 bar), 12V DC, fuse 15 amp, 9.5 amp draw @ 25 psi |
| 82400-0394 | 25 psi (1.7 bar), 24V DC, fuse 15 amp, 5 amp draw @ 25 psi |

5.0 GPM MODELS

| MODEL | DESCRIPTION |
|------------|--|
| 82500-0092 | 60 psi (4.3 bar), 12V DC, fuse 20 amp, 15 amp draw maximum |
| 82500-0094 | 60 psi (4.3 bar), 24V DC, fuse 15 amp, 7.5 amp draw maximum |
| 82500-0292 | 40 psi (2.8 bar), 12V DC, fuse 20 amp, 11.5 amp draw maximum |
| 82500-0294 | 40 psi (2.8 bar), 24V DC, fuse 15 amp, 6 amp draw maximum |
| 82500-0392 | 25 psi (1.7 bar), 12V DC, fuse 20 amp, 12.5 amp draw maximum |
| 82500-0394 | 25 psi (1.7 bar), 24V DC, fuse 15 amp, 6 amp draw maximum |

6.0 GPM MODELS

| MODEL | DESCRIPTION |
|------------|---|
| 82600-0092 | 60 psi (4.3 bar), 12V DC, fuse 20 amp, 17 amp draw maximum |
| 82600-0094 | 60 psi (4.3 bar), 24V DC, fuse 15 amp, 8.5 amp draw maximum |
| 82600-0292 | 40 psi (2.8 bar), 12V DC, fuse 20 amp, 15 amp draw maximum |
| 82600-0294 | 40 psi (2.8 bar), 24V DC, fuse 15 amp, 8 amp draw maximum |
| 82600-0392 | 25 psi (1.7 bar), 12V DC, fuse 20 amp, 15 amp draw maximum |
| 82600-0394 | 25 psi (1.7 bar), 24V DC, fuse 15 amp, 8 amp draw maximum |

For service and spare parts listing, see page 237.

V-FLO 5.0 Water Pressure Pump

The new variable flow, constant water pressure pump now featuring the revolutionary new DiMOND technology, designed to automatically diagnose and monitor all aspects of your pump and water pressure system performance to prevent system failure. V-FLO is powered by a new variable speed drive that delivers the exact amount of water flow needed to perform the variety of onboard delivery tasks.

- Constant water pressure.
- Up to 50% less power consumption.
- Learns the boat's water pressure system to improve pump performance.



| | |
|--------------------------|---|
| FLOW | 5.0 GPM (19 LPM) |
| SHUT-OFF PRESSURE | 25-60 psi (1.7-4.3 bar) |
| FITTING | One 3/4" (19mm) elbow hose barb, One 1/2" (13mm) elbow hose barb, Two 3/4" (19mm) straight QEST, One 3/4" (19mm) elbow QEST |
| SIZE | 9.875" long x 6.125" wide x 4.75" high (25.1cm x 15.6cm x 12.1cm) |
| WEIGHT | 8.2lb (3.2kg) |

| MODEL | DESCRIPTION |
|------------|--|
| 42755-0092 | 60 psi (4.3 bar), 12V DC, fuse 15 amp, 12 amp draw maximum, strainer |
| 42755-0094 | 60 psi (4.3 bar), 24V DC, fuse 10 amp, 6 amp draw maximum, strainer |
| 42755-0392 | 25 psi (1.7 bar), 12V DC, fuse 15 amp, 12 amp draw maximum, strainer |
| 42755-0394 | 25 psi (1.7 bar), 24V DC, fuse 10 amp, 6 amp draw maximum, strainer |

For service and spare parts listing, see page 236.

Single Stack Water System

The Single Stack Water System is a fully assembled water pressure set which makes installation of water pressure systems simple. The system consists of a PAR-Max 4.0 Pump, strainer and pre-pressurized accumulator tank. Serves four or more outlets.

- Self-priming up to 10' (3m).
- Run-dry ability.
- Smooth, even flow.
- Thermal overload protection.
- Complies with ISO 8846 MARINE (Ignition Protection).
- Three-year warranty.



| | |
|--------------------------|---|
| FLOW | 4.8 GPM (18 LPM) |
| SHUT-OFF PRESSURE | 40 psi (2.8 bar) |
| FITTING | Connections for 3/4" (19mm) hose tail |
| SIZE | 12.2" long x 9.4" wide x 9.8" high (24cm x 31cm x 25cm) |
| WEIGHT | 12lb (5.4kg) |

| MODEL | DESCRIPTION |
|------------|--------------|
| 52520-1000 | 12V DC model |

05 Water Pressure Systems

AUTOMATIC PRESSURE CONTROLLED PUMPS



Double Stack Water Systems



9 GPM Model



5.8 GPM Model

Two double stack water systems are available, medium flow (5.8 GPM, 22 LPM) for up to 5 outlets and high flow (9 GPM, 34 LPM) for up to 7 outlets. Both combine two pumps assembled onto a pre-pressurized accumulator tank to smooth flow and prevent pump cycling. Both sets are self-priming up to 6-10' (2-3m).

- Run-dry ability.
- Smooth, even flow.
- Two stage operation.
- Internal bladder accumulator tank.
- Thermal overload protection.
- Complies with ISO 8846 MARINE (Ignition Protection).
- Three-year warranty.

| | |
|--------------------------|---|
| FLOW | 9 GPM (34 LPM) |
| SHUT-OFF PRESSURE | 40 psi (2.8 bar) |
| FITTING | Connections for 3/4" (19mm) hose tail |
| SIZE | 13.6" long x 12.2" wide x 13.6" high (34.5cm x 31cm x 34.5cm) |
| WEIGHT | 21lb (9.58kg) |

| MODEL | DESCRIPTION |
|------------|--|
| 52530-1000 | 9 GPM (34 LPM) Double Stack System, 12V DC |
| 52530-1100 | 9 GPM (34 LPM) Double Stack System, 24V DC |

| | |
|--------------------------|---|
| FLOW | 5.8 GPM (22 LPM) |
| SHUT-OFF PRESSURE | 40 psi (2.8 bar) |
| FITTING | Connections for 1/2" (13mm) push fit, 3/4" (19mm) hose tail |
| SIZE | 12.5" long x 9.5" wide x 13.8" high (32cm x 24cm x 35cm) |
| WEIGHT | 15.2lb (6.9kg) |

| MODEL | DESCRIPTION |
|------------|--|
| 52530-3000 | 5.8 GPM (22 LPM) Double Stack System, 12V DC |
| 52530-3100 | 5.8 GPM (22 LPM) Double Stack System, 24V DC |

Dual Max

Automatic two-stage water system with accumulator tank and Pumpgard™ strainer. Ideal for pleasure and commercial boats with high demand requirements.



| | |
|--------------------------|--|
| FLOW | 7.5 GPM (28.4 LPM) |
| SHUT-OFF PRESSURE | 40 psi (2.8 bar) |
| FITTING | Three 3/4" (19mm) elbow hose barbs, |
| SIZE | 14" long x 7.75" wide x 13.25" high (35.6cm x 19.7cm x 33.7cm) |
| WEIGHT | 15lb (6.8kg) |

| MODEL | DESCRIPTION |
|------------|---|
| 31670-0092 | 12V DC, fuse 20 amp, 15 amp draw maximum |
| 31670-0094 | 24V DC, fuse 10 amp, 7.5 amp draw maximum |

Ultra Max Water Pressure Set

A fully assembled pressure set that simplifies the installation of water pressure systems for both the professional and amateur installer. The set consists of a PAR-Max 3.5 Pump, strainer and pre-pressurized accumulator tank with quick-connect electrical connections on a rubber mounted board. Serves three or more 1/2" (13mm) outlets.



- Self-priming up to 10' (3m).
- Can be installed vertically or horizontally.
- Quadruple diaphragms for smooth and quiet operation.
- Thermal overload protection automatically stops motor should it overheat, with auto restart feature.
- Diaphragm design allows extended dry running.
- Pressure switch cut-in at 20 psi (1.4 bar), cut-out at 40 psi (2.8 bar).
- Maintenance-free potable water quality accumulator tank.
- Complies with USCG 183.410 and ISO 8846 MARINE (Ignition Protection).
- Three-year warranty.

| | |
|--------------------------|--|
| FLOW | 3.5 GPM (13.2 LPM) |
| SHUT-OFF PRESSURE | 40 psi (2.8 bar) |
| FITTING | Connections for 1/2" (13mm) ID hose or 1/2" (13mm) QEST fittings |
| SIZE | 15.5" long x 15.75" wide x 5.5" high (39cm x 40cm x 14cm) |
| WEIGHT | 6.6lb (3kg) |

| MODEL | DESCRIPTION |
|------------|--|
| 59451-1012 | 40 psi (2.8 bar), 12V DC, fuse 10 amp, high pressure version |

PAR 36800 Water Pressure Pump

This well-established and service-proven pump will serve up to four outlets simultaneously and generously.

- 3.3 GPM (12.5 LPM) open flow output.
- Self-priming and all other benefits as PAR 36900 below.
- Low pressure switch cut-in at 10 psi (0.7 bar), cut-out at 20 psi (1.4 bar).
- High pressure switch cut-in at 20 psi (1.4 bar), cut-out at 40 psi (2.8 bar).
- Complies with USCG 183.410 and ISO 8846 MARINE (Ignition Protection).



| | |
|----------------|--|
| FLOW | 3.3 GPM (12.5 LPM) |
| FITTING | Connections for 1/2" to 5/8" (13mm to 16mm) ID hose |
| SIZE | 9-7/8" long x 6-1/2" wide x 8-3/8" high (25.1cm x 16.5cm x 21.3cm) |
| WEIGHT | 11lb (5kg) |

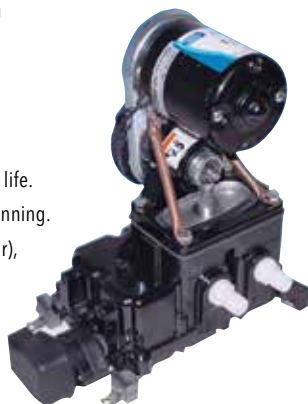
| MODEL | DESCRIPTION |
|------------|---|
| 36800-0200 | 12V DC, fuse 8 amp, low pressure version |
| 36800-0210 | 24V DC, fuse 4 amp, low pressure version |
| 36800-1000 | 12V DC, fuse 8 amp, high pressure version |
| 36800-1010 | 24V DC, fuse 4 amp, high pressure version |
| 30122-0000 | Service Kit |

For service and spare parts listing, see page 235.

PAR 36900 Water Pressure Pump

This well-established and service-proven pump will serve up to five outlets simultaneously and generously.

- 4.2 GPM (16 LPM) open flow output.
- Self-priming up to 5' (1.5m) vertical lift.
- Belt driven for quieter running and longer life.
- Diaphragm design allows extended dry running.
- Low pressure switch cut-in at 10 psi (0.7bar), cut-out at 20 psi (0.7 bar).
- High pressure switch cut-in at 20 psi (1.4 bar), cut-out at 40 psi (2.8 bar).
- Complies with USCG 183.410 and ISO 8846 MARINE (Ignition Protection).



| | |
|----------------|---|
| FLOW | 4.2 GPM (1.6 LPM) |
| FITTING | Connections for 1/2" to 5/8" (13mm to 16mm) ID hose |
| SIZE | 9-7/8" long x 6-1/2" wide x 10" high (25.1cm x 16.5cm x 25.8cm) |
| WEIGHT | 12lb (5.4kg) |

| MODEL | DESCRIPTION |
|------------|--|
| 36900-0200 | 12V DC, fuse 15 amp, low pressure version. Not available in the USA. |
| 36900-0210 | 24V DC, fuse 5 amp, low pressure version. Not available in the USA. |
| 36900-1000 | 12V DC, fuse 15 amp, high pressure version. Not available in the Europe. |
| 36900-1010 | 24V DC, fuse 5 amp, high pressure version. Not available in the Europe. |
| 30121-0000 | Service Kit |

For service and spare parts listing, see page 234.

PAR 36950 Water Pressure Pump

This very popular service-proven pump serves up to four outlets simultaneously and generously.

- 3 GPM (11.4 LPM) open flow output.
- Self-priming and all other benefits as PAR 36900 above.
- Low pressure switch cut-in at 10 psi (0.7 bar), cut-out at 20 psi (1.4 bar).
- High pressure switch cut-in at 20 psi (1.4 bar), cut-out at 40 psi (2.8 bar).
- Complies with USCG 183.410 and ISO 8846 MARINE (Ignition Protection).



| | |
|----------------|--|
| FLOW | 3 GPM (11.4 LPM) |
| FITTING | Connections for 1/2" to 5/8" (13mm to 16mm) ID hose |
| SIZE | 7-1/2" long x 6-1/2" wide x 8-1/2" high (19.1cm x 16.5cm x 21.6cm) |
| WEIGHT | 11lb (5kg) |

| MODEL | DESCRIPTION |
|------------|---|
| 36950-2000 | 12V DC, fuse 8 amp, high pressure version |
| 36950-2010 | 24V DC, fuse 4 amp, high pressure version |
| 36950-2200 | 12V DC, fuse 8 amp, low pressure version. Not available in the USA. |
| 36950-2210 | 24V DC, fuse 4 amp, low pressure version. Not available in the USA. |
| 43990-0061 | Service Kit |

For service and spare parts listing, see page 235.

05 Water Pressure Systems

ACCESSORIES & ACCUMULATOR TANKS



Aqua Filta™

Aqua Filta™ adsorbs dissolved impurities, freshening and cleansing water to make it natural tasting, sweet smelling and crystal clear.

- Screw-on cartridge is replaced annually, or sooner if necessary, at half the cost of replacement filters.
- Over 200g of silver impregnated activated carbon.
- Beneficial mineral salts are retained.
- Ports accept fitting to either 1/2" (13mm) ID hose or 1/2" (13mm) screw-in fittings for polybutylene or copper plumbing.
- Initial flow capacity up to 3.7 GPM (14 LPM).
- Tough molded components give ample pressure capability, up to 60 psi (4.2 bar).



| | |
|----------------|---|
| FITTING | Connections for 1/2" (13mm) ID hose, 5/8" (15mm) Hep ₂ 0 and Acorn fittings, 5/8" (15mm) John Guest speedfit and Whale system 15 fittings, and 1/2" (13mm) BSP female threaded fittings. |
| SIZE | 4" wide x 9" high x 5-1/2" deep (10cm x 23cm x 14cm) |
| WEIGHT | 1.1lb (0.5kg) |

| MODEL | DESCRIPTION |
|------------|---|
| 59000-1000 | Aqua Filta™. Not available in the USA. |
| 59000-0000 | Replacement Filter Cartridge. Not available in the USA. |

Water System Pumpgard™ Strainer



Inlet strainer protects all electric diaphragm pumps.

- Prevents unnecessary pump breakdowns caused by particles in the water.
- Transparent housing allows instant inspection.
- Quick, in-place cleaning of the 40# mesh stainless steel screen.

| | |
|----------------|---|
| FITTING | Choose connections for 3/8", 1/2", 3/4" (10mm, 13mm, 19mm) ID hose or 1/2" (13mm) - 14 pipe |
| SIZE | 4-3/4" long x 2-3/4" wide x 2-1/2" high (12cm x 7cm x 6cm) |

| MODEL | DESCRIPTION |
|------------|--|
| 46400-0000 | 3/4" (19mm) hose barb inlet, 3/4" (19mm) hose barb outlet |
| 46400-0002 | 1/2" (13mm) hose barb inlet, 1/2" (13mm) hose barb outlet |
| 46400-0003 | 3/8" (10mm) hose barb inlet, 3/8" (10mm) hose barb outlet |
| 46400-0004 | 1/2" (13mm) QEST port male inlet, 1/2" (13mm) QEST port male outlet |
| 46400-0010 | 90° strainer, 3/4" (19mm) hose barb inlet, quad port male outlet |
| 46400-0012 | 90° strainer, 1/2" (13mm) hose barb inlet, quad port male outlet |
| 46400-0014 | 90° strainer, 1/2" (13mm) quad port female inlet, quad port male outlet |
| 46400-0030 | In-line strainer, 1/2" (13mm) QEST port male inlet, quad port male outlet |
| 46400-0375 | 3/8" (10mm) NPT female port inlet, 3/8" (10mm) NPT female port outlet |
| 46400-0701 | Large in-line strainer (6 GPM/23 LPM), quad port female inlet, quad port female outlet |
| 46400-0711 | Large 90° strainer (6 GPM/23 LPM), quad port female inlet, quad port male outlet |
| 46400-0712 | Large 90° strainer (6 GPM/23 LPM), 1/2" (13mm) hose barb inlet, quad port male outlet |
| 46400-9000 | 90° strainer, quad port female inlet, quad port male outlet |
| 46400-9500 | 90° strainer, quad port female inlet, quad port male outlet |
| 18753-0040 | Replacement 40# Mesh Filter |

Water Pressure Regulators

Water Pressure Regulators protect your boat's water system from damaging pressures of unregulated city water hook-ups. Available in two models – permanently installed flush mount or in-line. Both feature brass GHT fittings for potable garden hose connection.

- Limits inlet water pressure to 45 psi (3.1 bar).
- Maintains regulated pressure at various flow rates.
- Compact in-line model only 3" (77mm) long.
- Flush model has unique swivel elbow output.
- Manufactured of food-grade materials.
- Meets all applicable codes and approvals.
- Removable strainer on 44412 models protects plumbing.



| | |
|----------------|---|
| FITTING | Flush connections for 3/4" (19mm) GHT female inlet and 1/2" (13mm) - 14 male pipe outlet. In-line connections for 3/4" (19mm) GHT female inlet and 3/4" (19mm) GHT male outlet. |
| SIZE | Flush: 4-3/8" wide x 4-3/8" high x 3-1/2" deep (11.1cm x 11.1cm x 8.8cm) In-Line: 3" long x 1-1/2" diameter (7.7cm x 3.9cm) |
| WEIGHT | Flush: 0.41lb (0.2kg) In-Line: 0.2lb (0.1kg) |

| MODEL | DESCRIPTION |
|------------|---|
| 44411-0045 | In-line, white, 3/4" (19mm) GHT male outlet, strainer not included |
| 44411-1045 | Flush, white, 90° 1/2" (13mm) - 14 male pipe outlet, strainer not included |
| 44411-2045 | Flush, chrome, 90° 1/2" (13mm) - 14 male pipe outlet, strainer not included |
| 44412-1045 | Flush, white, 1/2" (13mm) female quad port, strainer included |
| 44412-2045 | Flush, chrome, 1/2" (13mm) female quad port, strainer included |

Pressurized Accumulator Tanks

Improves all pressure controlled water systems. Our new compact 21oz (0.6L) Accumulator Tank fits into those tight areas and performs all of the same functions as our 1 Quart (1L) model, but in a smaller package.

- Smoother flow, quieter water systems.
- Internal rubber membrane eliminates maintenance and allows universal mounting.
- Better control of hot water temperatures.
- Simply fitted to new or existing systems.
- Longer pump life, lower battery drain.
- Snap-in port fittings.



| | |
|----------------|--|
| FITTING | Connections for 1/2" (13mm) ID hose, optional ports available (see below) |
| SIZE | 21oz (0.6L): 4-3/4" wide x 7" high x 4-3/8" deep (12cm x 18cm x 11cm) 1 Quart (1L): 4-3/4" wide x 13-1/4" high x 4-3/8" deep (12cm x 34cm x 11cm) |
| WEIGHT | 21oz (0.6L): 1lb (0.45kg) 1 Quart (1L): 1.6lb (0.7kg) |

| MODEL | DESCRIPTION |
|------------|--|
| 30573-0003 | Pressurized 21oz (0.6L) Accumulator Tank |
| 30573-0000 | Pressurized 1 Quart (1L) Accumulator Tank |
| 30653-0000 | Snap-In Port Fittings for 1/2" (13mm) ID hose |
| 30649-0000 | Snap-In Port Fittings for 1/2" (13mm) - 14 pipe |
| 30649-1000 | Snap-In Port Fittings for 1/2" (13mm) female threads |

Larger Pressurized Accumulator Tanks

Smooth flow from faucets and showers, reduce pump cycling, eliminate pulsations and water hammer.

- Can be mounted vertically or horizontally.
- Water is totally separated from air chamber by a rubber bladder.
- All models include mounting brackets 18810-0000 (US supply).
- 2 gallon tank NSF-61 listed.



| | |
|--------------------------|--|
| SHUT-OFF PRESSURE | 100 psi (6.9 bar) maximum working pressure, pre-pressurized to 20 psi (1.4 bar) |
| FITTING | Connection for 3/4" (19mm) NPT male thread |
| SIZE | 18810-0000: 12.75" high x 8" diameter (32cm x 20cm) 23240-2000: 8.5" wide x 13" high x 8" deep (22cm x 33cm x 20cm) |
| WEIGHT | 18810-0000: 5.5lb (2.5kg) 23240-2000: 8.25lb (3.75kg) |

| MODEL | DESCRIPTION |
|------------|-----------------------|
| 18810-0000 | 2 gallon (7.5L) tank |
| 23240-2000 | 1.75 gallon (8L) tank |

06 Washdown Pumps



PAR-Max Washdown Kit



Jabco offers boaters several washdown pumps at ideal flow and pressure for washdown. Washdown pumps are ideal for cleaning decks, cockpits and anchors on yachts of a range of sizes and can be connected to sea or fresh water. Both units come with an intake strainer, spray nozzle and quick-connect 3/4" (19mm) hose barb fittings.

- High pressure jet blasts mud and silt from anchor chain and decks.
- Waterproof with sealed motor and sealed pressure switch for mounting in exposed positions.
- Thermal overload protection automatically stops the motor if it overheats.
- Dry running.
- Soft rubber mounts.
- Corrosion resistant.
- Complies with USCG 183.410 and ISO 8846 MARINE (Ignition Protection).
- Supplied complete with Pumpgard™ and trigger nozzle.

| MODEL | DESCRIPTION |
|------------|---|
| 30703-1000 | Quick-Disconnect Nozzle with 3/4" (19mm) GHT snap-in connector. |
| 30704-1000 | Quick-Disconnect Nozzle attaches permanently to 1/2" (13mm) hose. |
| 46400-0000 | Pumpgard™ Strainer for North America |
| 46400-0002 | Pumpgard™ Strainer for Europe |
| 31911-0000 | Deck Fitting, 1/2" (13mm) NPT female inlet with one 3/4" (19mm) GHT male hose adapter |
| 31911-0007 | Deck Fitting, 1/2" (13mm) BSP female inlet with one 3/4" (19mm) BSP male hose adapter |
| 31911-0002 | Hose Adapter |

PAR-Max 3.0 GPM Washdown Pump

- Suitable for marine washdown.
- Self-priming up to 10' (3m).

Included



| | |
|--------------------------|--|
| FLOW | 3.0 GPM (11.4 LPM) |
| SHUT-OFF PRESSURE | 50 psi (3.5 bar) |
| FITTING | Connections for 3/4" (19mm) straight hose barb |
| SIZE | 9" long x 4.24" wide x 4.75" high (22.9cm x 10.6cm x 12.1cm) |
| WEIGHT | 3.5lb (1.6kg) |

| MODEL | DESCRIPTION |
|------------|---|
| 32305-0092 | 12V DC, fuse 10 amp, 4.4 amp draw @ 10 psi, two 3/4" (19mm) straight hose barbs, strainer, nozzle |
| 32305-0094 | 24V DC, fuse 5 amp, 2.2 amp draw @ 10 psi, two 3/4" (19mm) straight hose barbs, strainer, nozzle |
| 32305-0392 | 12V DC, fuse 10 amp, 4.4 amp draw @ 10 psi, two 3/4" (19mm) straight hose barbs, strainer, nozzle |
| 32305-0394 | 24V DC, fuse 5 amp, 2.2 amp draw @ 10 psi, two 3/4" (19mm) straight hose barbs, strainer, nozzle |
| 32901-0092 | 12V DC, fuse 10 amp, 4.4 amp draw @ 10 psi, two 3/4" (19mm) straight hose barbs, strainer, nozzle, 25' (7.6m) hose coil |
| 32901-0094 | 24V DC, fuse 5 amp, 2.2 amp draw @ 10 psi, two 3/4" (19mm) straight hose barbs, strainer, nozzle, 25' (7.6m) hose coil |

PAR-Max 4.0 GPM Washdown Pump

- Suitable for high pressure applications
- Self-priming up to 10' (3m).

Included



| | |
|--------------------------|--|
| FLOW | 4.0 GPM (15 LPM) |
| SHUT-OFF PRESSURE | 60 psi (4 bar) |
| FITTING | Connections for 3/4" (19mm) ID hose |
| SIZE | 9" long x 4.24" wide x 4.75" high (22.9cm x 10.6cm x 12.1cm) |
| WEIGHT | 5lb (2.1kg) |

| MODEL | DESCRIPTION |
|------------|---|
| 32605-0092 | 12V DC, fuse 10 amp, 4.4 amp draw @ 10 psi, two 3/4" (19mm) straight hose barbs, strainer, nozzle |
| 32605-0094 | 24V DC, fuse 5 amp, 2.2 amp draw @ 10 psi, two 3/4" (19mm) straight hose barbs, strainer, nozzle |
| 32605-0392 | 12V DC, fuse 10 amp, 4.4 amp draw @ 10 psi, two 3/4" (19mm) straight hose barbs, strainer, nozzle |
| 32605-0394 | 24V DC, fuse 5 amp, 2.2 amp draw @ 10 psi, two 3/4" (19mm) straight hose barbs, strainer, nozzle |
| 32900-0092 | 12V DC, fuse 10 amp, 4.4 amp draw @ 10 psi, two 3/4" (19mm) straight hose barbs, strainer, nozzle, 25' (7.6m) hose coil |
| 32900-0094 | 24V DC, fuse 5 amp, 2.2 amp draw @ 10 psi, two 3/4" (19mm) straight hose barbs, strainer, nozzle, 25' (7.6m) hose coil |

HotShot Series



Robust five chamber, patented co-injected molded diaphragm and larger heavy-duty motor brushes significantly extend pump life by up to 50%. The HotShot Series Washdown Pumps are available in 4.0 GPM (15.1 LPM), 5.0 GPM (18.9 LPM) and 6.0 GPM (22.7 LPM) with pressures up to 70 psi (4.8 bar) and are self-priming up to 10' (3m).

- Sealed switch and co-molded diaphragm eliminates leak paths, extending the life of the pump by up to 50%.
- Ergonomically designed spray nozzle provides powerful and accurate fire power with every shot.
- Quick-disconnect ports allow for adjustability and ease of installation.
- Kits include spray nozzle, fitting, Pumpgard™ strainer and hose.
- Improved noise dampening rubber feet significantly minimize vibration when mounted against hard surfaces.
- Available in 12V or 24V DC.
- Certified to EN ISO 8846 Marine (Ignition Protection).

| | |
|--------------------------|--|
| FLOW | 4.0 GPM (15 LPM), 5.0 GPM (18.9 LPM) or 6.0 GPM (22.7 LPM) |
| SHUT-OFF PRESSURE | 70 psi (4.8 bar) |
| FITTING | Connections for 3/4" (19mm) straight hose barb |
| SIZE | 4.0 GPM: 9.91" long x 5.09" wide x 4.34" high (25.2cm x 12.9cm x 11.1cm) 5.0 and 6.0 GPM: 10.6" long x 5.09" wide x 4.34" high (26.9cm x 12.9cm x 11.1cm) |
| WEIGHT | 4.0 GPM: 7.6lb (3.5kg) 5.0 and 6.0 GPM: 7.6lb (3.5kg) |

4.0 GPM MODELS

| MODEL | DESCRIPTION |
|------------|---|
| 82405-0092 | 12V DC, fuse 20 amp, 13 amp draw maximum, two 3/4" (19mm) straight hose barbs, strainer, nozzle |
| 82405-0094 | 24V DC, fuse 15 amp, 7 amp draw maximum, two 3/4" (19mm) straight hose barbs, strainer, nozzle |
| 82904-0092 | 12V DC, fuse 20 amp, 13 amp draw maximum, two 3/4" (19mm) straight hose barbs, strainer, nozzle, 25' (7.6m) hose coil |
| 82904-0094 | 24V DC, fuse 15 amp, 7 amp draw maximum, two 3/4" (19mm) straight hose barbs, strainer, nozzle, 25' (7.6m) hose coil |

5.0 GPM MODELS

| MODEL | DESCRIPTION |
|------------|---|
| 82505-0092 | 12V DC, fuse 20 amp, 16 amp draw maximum, two 3/4" (19mm) straight hose barbs, strainer, nozzle |
| 82505-0094 | 24V DC, fuse 15 amp, 8 amp draw maximum, two 3/4" (19mm) straight hose barbs, strainer, nozzle |
| 82905-0092 | 12V DC, fuse 20 amp, 16 amp draw maximum, two 3/4" (19mm) straight hose barbs, strainer, nozzle, 25' (7.6m) hose coil |
| 82905-0094 | 24V DC, fuse 15 amp, 8 amp draw maximum, two 3/4" (19mm) straight hose barbs, strainer, nozzle, 25' (7.6m) hose coil |

6.0 GPM MODELS

| MODEL | DESCRIPTION |
|------------|---|
| 82605-0092 | 12V DC, fuse 25 amp, 18 amp draw maximum, two 3/4" (19mm) straight hose barbs, strainer, nozzle |
| 82605-0094 | 24V DC, fuse 15 amp, 9 amp draw maximum, two 3/4" (19mm) straight hose barbs, strainer, nozzle |
| 82906-0092 | 12V DC, fuse 25 amp, 18 amp draw maximum, two 3/4" (19mm) straight hose barbs, strainer, nozzle, 25' (7.6m) hose coil |
| 82906-0094 | 24V DC, fuse 15 amp, 9 amp draw maximum, two 3/4" (19mm) straight hose barbs, strainer, nozzle, 25' (7.6m) hose coil |

07 Oil Change & Diesel Transfer Pumps

OIL CHANGE PUMPS

JABSCO®

Porta-Quick™



The Porta-Quick™ Portable Oil Changer makes quick, clean and easy oil changes onboard any boat because it uses the vessel's own power supply to operate the powerful oil reservoir mounted flexible impeller pump.

- 14 quart (13L) container easily handles two engines.
- Pump is reversible to both drain and refill engine oil.
- Sturdy bronze pump head.
- High temperature resistant Teflon™ dipstick probe.
- Non-collapsible thick wall suction hose.
- Garden hose thread adapter included for dipsticks with GHT male threaded ends.
- Complies with USCG 183.410 and ISO 8846 MARINE (Ignition Protected).

| | |
|---------------|---|
| SIZE | 15-5/8" high x 13-1/2" diameter (35cm x 34cm) Hose: 1/2" (13mm) ID x 48" (120cm) long Probe: 1/4" (6.5mm) OD x 40" (100cm) long |
| WEIGHT | 9lb (4.1kg) |

| MODEL | DESCRIPTION |
|--------------|---|
| 17800-2000 | Oil Changer, 12V DC, fuse 15 amp (Non CE) |
| 17800-2024 | Oil Changer, 24V DC, fuse 8 amp |
| 9200-0023-P | Replacement Nitrile Impeller |
| 18753-0608 | Teflon™ Probe |
| 17795-1000 | Black Hose |

Oil Change Pump

The Oil Change Pump is the same high-quality pump used in the Jabsco Multi-Engine Oil Change System. The powerful pump can change oil in a typical V-8 engine in just minutes.



- Pump is reversible to both drain and refill engine oil.
- Self-priming to 3' (1m) of lift.
- Includes 3/8" NPT full flow ball valve.
- Reversing switch guard to avoid accidental activation.
- Complies with USCG 183.410 and ISO 8846 MARINE (Ignition Protected).

| | |
|----------------|---|
| FITTING | Connections for 3/8" NPT male threaded fitting |
| SIZE | 7-7/8" long x 3-3/4" wide x 4-7/16" high (20cm x 10cm x 11cm) |
| WEIGHT | 9lb (4.1kg) |

| MODEL | DESCRIPTION |
|-------------|--------------------------------------|
| 17830-0012 | Oil Change Pump, 12V DC, fuse 15 amp |
| 17830-0024 | Oil Change Pump, 24V DC, fuse 8 amp |
| 9200-0023-P | Nitrile Impeller |

For service and spare parts listing, see page 226.

Do-It-Yourself Oil Changer

The Do-It-Yourself Oil Changer is simple to use, and offers quick and easy oil changes for the leisure boat owner.



- Fully assembled.
- 14 quart (13L) container.
- Tested for 1400 cycles.
- 8' (2.49m) dipstick hose.

| | |
|---------------|---------------------------------------|
| SIZE | 15" high x 14" diameter (35cm x 34cm) |
| WEIGHT | 6lb (2.7kg) |

| MODEL | DESCRIPTION |
|------------|-----------------------|
| 17850-1012 | 12V DC, fuse included |

Flat Tank Oil Changer System

The Jabsco Flat Tank Oil Changer System simplifies the engine oil changing process. Ideal for changing engine oil in boats, RVs, lawn and garden equipment. There is no need to worry about open containers causing spills when changing engine oils with the 3-1/2 gallon (13L) compact self-contained unit fitted with a self-priming diaphragm pump with an easy-pour spout for emptying. The Flat Tank design allows for easy storage in deck boxes, boat storage lockers or RV storage compartments. Easy to use, clean and efficient dipstick suction tube, battery clamp wire leads and on/off pump switch.



- Stores easily.
- Compact, robust tank design.
- Easy-pour spout with screw-on cap.
- Easy-to-carry handle.
- 3-1/2 gallon (13L) sealed container.
- Self-priming, run-dry pump.
- Battery Leads: 6' (1.8m) with alligator clips.
- Suction Tube: 8' (2.4m), oil and heat resistant.
- Powerful 12V DC motor makes oil changing quick and simple.
- 6' (2m) electrical wire for easy connection to 12 volt power supply.
- Battery clamp leads and on/off switch to make pumping process quick and simple.

| | |
|---------------|--|
| SIZE | 12" wide x 19" high x 6.5" deep (30.5cm x 48.3cm x 16.5cm) |
| WEIGHT | 7lb (3.17kg) |

| MODEL | DESCRIPTION |
|------------|--------------------|
| 17860-2012 | 12V DC, fuse 5 amp |

07 Oil Change & Diesel Transfer Pumps



OIL CHANGE PUMPS

Oil Change System

The Oil Change System consists of a robust, self-priming flexible impeller pump mounted to an easy-to-install base and coupled to a five-port manifold, factory fitted with three full-flow ball valves.



- The system includes a pump reversing switch to pump used oil out and new oil in.
- The system cover includes a hinged valve cover to protect them from being accidentally opened.
- The valve cover will not close after an oil change unless valves are securely closed.
- Complies with USCG 183.410 and ISO 8846 MARINE (Ignition Protected).

| | |
|---------------|--|
| SIZE | 10-7/8" wide x 5-1/4" high x 11" deep (28cm x 13cm x 28cm) |
| WEIGHT | 9lb (4.1kg) |

| MODEL | DESCRIPTION |
|------------|--|
| 17820-0012 | Oil Change System, 12V DC, fuse 15 amp |
| 17820-0024 | Oil Change System, 24V DC, fuse 8 amp |
| 9200-0023 | Replacement Nitrile Impeller |
| 98024-0000 | Additional 1/2" (13mm) Ball Valve |

For service and spare parts listing, see page 226.

Engine Oil Drain Pump

Polished brass hand pump connects directly to engine oil dipstick tube on many popular marine engines such as OMC and MerCruiser.



- Screws onto threaded male 3/4" garden hose.
- GHT fitting on top of dipstick tube.
- Gives simple "one-hand" pumping.
- Complete with 2' (60cm) of 1/2" (13mm) ID drain hose.

| | |
|----------------|---|
| FITTING | Connection for 3/4" (19mm) GHT male thread |
| SIZE | 10-1/4" long x 1-1/4" diameter (26cm x 3.2cm) |
| WEIGHT | 1lb (0.5kg) |

| MODEL | DESCRIPTION |
|------------|-----------------------|
| 34060-0130 | Engine Oil Drain Pump |

Permanent Oil Drain Hose Kit

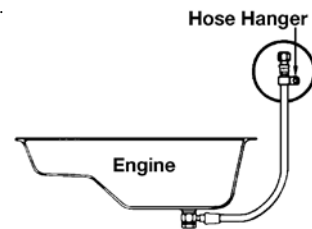
The Jabsco Oil Drain Hose Kit includes a drain plug fitting, oil drain hose assembly, hose hanger and a cap. This kit provides an easy method of connecting to several pump types for neat and easy oil removal.

- Reinforced flexible oil-rated drain hose.
- 1/2" (13mm) 20 thread oil drain fitting with two hose connection points to assure hose is oriented in desired direction.
- Hose hanger secures hose end above oil.
- Threaded cap seals hose end.



NOTE

Not recommended for automobiles with drain plugs exposed to potential road hazard damage.



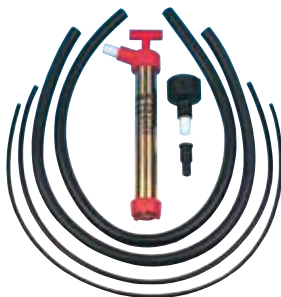
| | |
|----------------|---|
| FITTING | Drain Fitting: 1/2" (13mm) 20 thread |
| SIZE | Hose: 3/8" (10mm) ID x 48" (120cm) long |
| WEIGHT | 1lb (0.5kg) |

| MODEL | DESCRIPTION |
|------------|--|
| 18080-0000 | Hose and Drain Fitting. Carton: 12 kits. |

Handy Boy Utility Pump

Versatile, polished brass multi-purpose hand pump.

- Drain, fill or top off engine and gearbox oil.
- Overcomes problem of hard-to-reach drain plugs and filler caps.
- Oil- and corrosion-resistant brass neoprene construction with up to 1.5 GPM (6 LPM) output.
- 1001 other uses on any boat.



| | |
|----------------|---|
| FITTING | Connection for 1/2" (13mm) ID hose. Foot adapter for 1/2" (13mm) ID hose. One 1/2" (13mm) ID hose, one 5/16" (8mm) probe, one 1/4" (6mm) probe. |
| SIZE | 12" long x 1-1/4" diameter (31cm x 3.2cm) |
| WEIGHT | 2lb (0.9kg) |

| MODEL | DESCRIPTION |
|------------|------------------------|
| 33799-0000 | Handy Boy Utility Pump |

Little Pal Utility Pump

Compact, polished brass multi-purpose hand pump.

- Ideal for small engine and gearbox oil drain.
- Simply pump old oil out with dipstick probe.
- Oil- and corrosion-resistant brass and neoprene construction with up to 1 GPM (4 LPM) output.
- Small enough to fit any tool box.



| | |
|----------------|---|
| FITTING | Connection for 1/2" (13mm) ID hose. One 1/4" (6mm) probe. |
| SIZE | 10-1/4" long x 1-1/4" diameter (26cm x 3.2cm) |
| WEIGHT | 1lb (0.5kg) |

| MODEL | DESCRIPTION |
|------------|-------------------------|
| 34060-0010 | Little Pal Utility Pump |

Slimline Pumps

Rule has developed a family of compact combination submersible and in-line pumps and portable pump kits designed for a wide variety of uses, both onboard and ashore. There are four models in the Slimline Series which include strainers for use in submersible mode or, when the filter is removed, for use in the in-line pumping mode. These pumps are capable of pumping hot or cold fresh water, seawater, antifreeze and even diesel. The pumps can be used to pump bilge water from tight spaces, as deck showers, for general washdown, water and diesel transfer or engine winterizing.

- Delivers up to 500 GPH (1920 LPH).
- Pumps fresh and seawater, diesel and anti-freeze.
- Washdown for cars, vehicles, anchors and decks.
- Deck shower.
- Under engine bilge pumping.
- Diesel refueling and transfer.
- Garden watering.
- Container filling and emptying.
- Sink draining.
- Engine winterizing.



| MODEL | DESCRIPTION |
|----------------|---|
| iL500P | 500 GPH (1920 LPH), 12V DC |
| iL500P-24 | 500 GPH (1920 LPH), 24V DC |
| iL280P | 280 GPH (1080 LPH), 12V DC |
| iL280P-24 | 280 GPH (1080 LPH), 24V DC |
| iL200P | 200 GPH (760 LPH), 12V DC |
| iL200P-24 | 200 GPH (760 LPH), 24V DC |
| iL200 | 200 GPH (760 LPH), 12V DC. Not for use with diesel. |
| iL500PK Kit | 500 GPH (1920 LPH), 12V DC, 13' (4m) lay flat pvc/nitrite hose |
| iL500PK-24 Kit | 500 GPH (1920 LPH), 24V DC, 13' (4m) lay flat pvc/nitrite hose |
| iL280PK Kit | 280 GPH (1080 LPH), 12V DC, 13' (4m) lay flat pvc/nitrite hose |
| iL280PK-24 Kit | 280 GPH (1080 LPH), 24V DC, 13' (4m) lay flat pvc/nitrite hose |
| iL200K Kit | 200 GPH (760 LPH), 12V DC, 9' (3m) lay flat food quality hose. Not for use with diesel. |

07 Oil Change & Diesel Transfer Pumps



DIESEL TRANSFER PUMPS

Sliding Vane 18680 – 6 GPM

Light duty, 30-minute-rated diesel pump.

- 6 GPM (23 LPM) at 10' (3m) head.
- 30' (9m) maximum total head.
- Self-priming up to 3' (1m) vertical lift.
- Duty Cycle: 30 minutes at 10' (3m) at 86°F (30°C).
- Rugged bronze pump head.
- Complies with USCG 183.410 and ISO 8846 MARINE (Ignition Protection).



| | |
|----------------|---|
| FITTING | Connections for 1/2" (13mm) NPT and 1" (25mm) ID hose |
| SIZE | 7" long x 4-3/4" wide x 3-3/8" high (18cm x 12cm x 9cm) |
| WEIGHT | 5.5lb (2.5kg) |

| MODEL | DESCRIPTION |
|------------|--------------|
| 18680-0920 | 12V DC model |
| 18680-0940 | 24V DC model |
| 90200-0001 | Service Kit |

For service and spare parts listing, see page 229.

Sliding Vane 18680 – 6 GPM Reversible

Light duty, 30-minute-rated diesel pump with integral reversing switch.

- 5 GPM (19 LPM) at 10' (3m) head.
- 20' (6m) maximum total head.
- Self-priming up to 3' (1m) vertical lift.
- 22°F (-30°C) to 100°F (+40°C) operating temperature range.
- Duty Cycle: 30 minutes at 10' (3m) at 86°F (30°C).
- Complies with USCG 183.410 and ISO 8846 MARINE (Ignition Protection).



| | |
|----------------|---|
| FITTING | Connections for 1/2" (13mm) NPT and 1" (25mm) ID hose |
| SIZE | 8" long x 4-3/4" wide x 3-1/4" high (20cm x 12cm x 8cm) |
| WEIGHT | 5.5lb (2.5kg) |

| MODEL | DESCRIPTION |
|------------|---|
| 18680-1000 | 12V DC model fitted with reversing switch |
| 90201-0000 | Service Kit |

For service and spare parts listing, see page 229.

Sliding Vane 18685 – 7 GPM

Continuously rated duty, AC diesel or light oil transfer pump.

- 7.8 GPM (29.5 LPM) output at 10' (3m) total head.
- Self-priming up to 5' (1.5m) vertical lift.
- 20' (6m) maximum head.
- Fitted with thermal overload protection and 6' (183cm) power cord with 3-prong grounded plug.



| | |
|----------------|--|
| FITTING | Connections for 1/2" (13mm) NPT or 1" (25mm) ID hose |
| SIZE | 9-1/2" long x 4-3/4" wide x 6" high (24cm x 12cm x 15cm) |
| WEIGHT | 14.5lb (6.5kg) |

| MODEL | DESCRIPTION |
|------------|---|
| 18685-0000 | 115V AC model, 1/8hp, 60Hz, TENV, 3450 rpm (Non CE) |

For service and spare parts listing, see page 229.



WARNING

Sliding vane pumps must not be used for gasoline, petroleum products or any fluid with a flash point below 98°F (37°C).

Sliding Vane VF040

Light duty diesel pump.

- 10 GPM (38 LPM) at 10' (3m) head.
- 22' (7m) maximum total head.
- Self-priming up to 9' (2.8m) vertical lift.
- 22°F (-30°C) to 104°F (+40°C) operating temperature range.
- 30 minutes at 10' (3m) at 86°F (30°C)
- IP55 and thermally protected motor.
- Integral switch fitted as standard.
- Accessories available.
- ISO 8846 MARINE (Ignition Protection).



| | |
|----------------|--|
| FITTING | Connections for 3/4" (19mm) ID hose |
| SIZE | 8" long x 5" wide x 6-1/4" high (20cm x 13cm x 16cm) |
| WEIGHT | 4.4lb (2kg) |

| MODEL | DESCRIPTION |
|-----------------|-----------------------------|
| VF040-012-6120A | 12V DC model, fitted switch |
| VF040-024-6120A | 24V DC model, fitted switch |
| SK422-0025 | Service Kit |

For service and spare parts listing, see page 229.

Sliding Vane VF060

Continuously rated, diesel pump.

- 20 GPM (68 LPM) at 10' (3m) total head.
- Self-priming up to 9.6' (3m) vertical lift.
- Integral switch and ports as standard.
- 22°F (-30°C) to 104°F (+40°C) operating temperature range.
- IP55 and thermally protected motor.
- ISO 8846 MARINE (Ignition Protection).



| | |
|----------------|--|
| FITTING | Connections for 1" (25mm) ID hose |
| SIZE | 8" long x 5" wide x 6-1/4" high (20cm x 13cm x 16cm) |
| WEIGHT | 11lb (5kg) |

| MODEL | DESCRIPTION |
|-----------------|--|
| VF060-024-6120A | 24V DC model, fitted switch, 1" (25mm) ID hose |
| SK422-0035 | Service Kit |

For service and spare parts listing, see page 229.

Sliding Vane VF100

Heavy-duty, continuously rated, diesel pump.

- 29 GPM (110 LPM) at 10' (3m) total head.
- Self-priming up to 16' (5m) vertical lift.
- 22°F (-30°C) to 104°F (+40°C) operating temperature range.
- IP55 and thermally protected motor.
- ISO 8846 MARINE (Ignition Protection).



| | |
|----------------|---|
| FITTING | Connections for 1-1/4" (32mm) ID hose |
| SIZE | 10" long x 5-1/2" wide x 6-3/4" high (25cm x 14cm x 17cm) |
| WEIGHT | 19.8lb (9kg) |

| MODEL | DESCRIPTION |
|-----------------|--|
| VF100-024-6120A | 24V DC model, fitted switch, 1-1/4" (32mm) ID hose |
| SK422-0045 | Service Kit |

For service and spare parts listing, see page 229.

08 General Purpose Pumps

INTRODUCTION



Ballast Pumps



Today's wakeboard and ski tow boats need to be able to take on water ballast to modify their wake formation. A development of our tried and tested Puppy Pumps lets these specialty craft rapidly take on and dump ballast, while modern electronics guard against dry running damage to the impeller.

Circulation Pumps



Centrifugal pumps are the correct product for closed-circuit circulation systems, such as livewell circulation, washdown, central heating and other flooded suction applications. Jabsco offers purpose designed pumps capable of arduous commercial duty.

Drill Pumps



Our drill pumps are old favorites whose multiple uses keep them in constant demand.

General Purpose Pumps 08

SHOWER & SINK DRAIN PUMPS

Shower & Sink Drain



Jabsco and Rule's broad range of pump types means that we can provide a choice of solutions according to your needs and budget. Diaphragm pumps such as 50880 and PAR-Max are the choice of charter operators – quiet and dry running. Many knowledgeable owners still appreciate the ability of our Puppy Pumps to handle a wide range of debris.

AC Pumps



Jabsco bronze bodied AC motor pumps are self-priming, portable and versatile, making them ideal for a wide range of applications wherever AC power is available.

Shower Drain

A compact, full-capacity shower drain system. Automatically turns on after the water starts and shuts off when the water is removed. Activated by a non-mercury Rule-a-Matic® Plus™ float switch. Available with one or three inlet ports which offer varying combinations of inlet hose. Other features include a clear screw-down cover, a removable strainer for easy cleaning and an internal check valve to prevent back flow.



| | |
|------------------|---|
| DISCHARGE | 3/4" (19mm) |
| SIZE | 11-1/4" long x 8-1/4" wide x 5-1/2" high (28.6cm x 21cm x 14cm) |

| MODEL | DESCRIPTION |
|--------|---|
| 98A | Multi-Port Inlet Pump, 800 GPH (3028 LPH) |
| 98A-24 | Multi-Port Inlet Pump, 800 GPH (3028 LPH), 24V DC model |

Shower Drain Pump

Robust diaphragm pump suitable for shower and sink drain applications with a multi-positional pump head.



- 4.2 GPM (16 LPM) open flow output at 3' (1m) head.
- Self-priming up to 10' (3m) vertical lift allows mounting above wet bilges.
- Flexible installation.
- Compact and simple design.
- Filter-less.
- Quiet running.
- Capable of extensive dry running.
- Corrosion-resistant parts.
- Complies with USCG 183.410 and ISO 8846 MARINE (Ignition Protection).
- ISO 8849 MARINE (Bilge Pump Standard).

| | |
|----------------|---|
| FITTING | Connections for 3/4" (19mm) ID hose |
| SIZE | 11.7" long x 5.9" wide x 4.4" high (29.7cm x 15cm x 11.1cm) |
| WEIGHT | 6lb (2.7kg) |

| MODEL | DESCRIPTION |
|------------|---------------------------|
| 50880-1000 | 12V DC model, fuse 10 amp |
| 50880-1100 | 24V DC model, fuse 5 amp |
| SK880 | Service Kit |

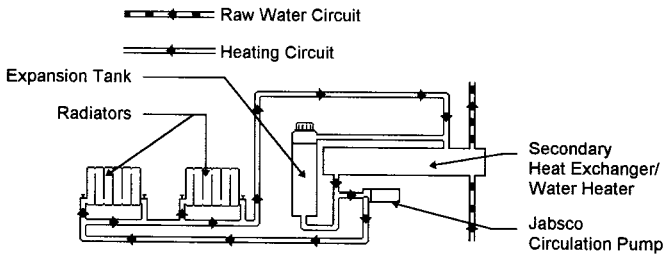
For service and spare parts listing, see page 231.

08 General Purpose Pumps

CIRCULATION PUMPS



Marine Central Heating System



Jabsco has a range of circulation pumps for use in low pressure circulation applications such as marine central heating systems. Jabsco circulation pumps are designed for reliability and ease of use.

This system provides central heating which works just like the heating system in the home. Jabsco circulation pumps can be used to circulate heated coolant water heater from an engine's re-circulating fresh water system through radiators in the vessel living spaces. These radiators can be individually adjusted to provide the best and most comfortable conditions.

Magnetic Drive Circulation Pumps



The Jabsco Magnetic Drive Brushless DC Pumps offer exceptional life and reliability. The motors last in excess of 10,000 hours, and the seal-less pump heads remove any chance of leaks.

- Up to 6 GPM (28 LPM) open flow.
- Rugged and simple design.
- Versatile – will handle high temperatures and chemicals.
- Designed for continuous use.

| | |
|----------------|--|
| FITTING | 59510: 3/4" (19mm) hose 59520: 1/2" (13mm) BSP, brass head 59530: 3/4" (19mm) hose, normal head |
| SIZE | 59510: 3.8" long x 3.4" wide x 2.7" high (97mm x 85mm x 69mm) 59520/59530: 3.7" long x 3.5" wide x 3.5" high (95mm x 85mm x 85mm) |
| WEIGHT | 59510: 0.5lb (0.2kg) 59520/59530: 1.5lb (0.68kg) |

| MODEL | DESCRIPTION |
|------------|------------------------|
| 59510-0012 | 12V DC, fuse 2 amp |
| 59520-0000 | 8-24V DC, fuse 2.5 amp |
| 59530-0000 | 8-24V DC, fuse 2.5 amp |

Cyclone® Circulation Pump



50840 Series
Low Pressure Pump

50860 Series
High Pressure Pump

Robust, high efficiency and flow, long-life circulation pumps. Typical applications include hot and cold water systems, windscreen washing, livewell and bait tank systems and liquid transfer.

- 29 GPM (110 LPM) maximum flow.
- Low and high pressure versions available.
- Robust stainless steel body and anti-clogging design impeller.
- Only one tool needed for all servicing.
- Complies with USCG 183.410 and ISO 8846 MARINE (Ignition Protection).
- ISO 8849 MARINE (Bilge Pump Standard).

| | |
|----------------|--|
| FITTING | Connections for 3/4" (19mm) NPT or BSP |
| SIZE | 50840 Series: 6" long x 6-1/2" wide x 5" high (15cm x 16cm x 12cm) 50860 Series: 9" long x 4-1/2" wide x 5" high (22cm x 11cm x 12cm) |
| WEIGHT | 50840 Series: 15lb (6.8kg) 50860 Series: 23lb (10.5kg) |

| MODEL | DESCRIPTION |
|------------|---|
| 50840-0012 | Low pressure, 12V DC, NPT ports, fuse 10 amp |
| 50840-0024 | Low pressure, 24V DC, NPT ports, fuse 7 amp |
| 50840-2012 | Low pressure, 12V DC, BSP ports, fuse 10 amp |
| 50840-2024 | Low pressure, 24V DC, BSP ports, fuse 7 amp |
| 50860-0012 | High pressure, 12V DC, NPT ports, fuse 25 amp |
| 50860-0024 | High pressure, 24V DC, NPT ports, fuse 13 amp |
| 50860-2012 | High pressure, 12V DC, BSP ports, fuse 25 amp |
| 50860-2024 | High pressure, 24V DC, BSP ports, fuse 13 amp |

For service and spare parts listing, see page 229.

| MODEL NUMBER | END COVER SCREW | GASKET/O-RING | IMPELLER | SEAL |
|--------------|-----------------|---------------|------------|------------|
| 50860-0012 | 91095-6325 | X4020-369A | 50871-0100 | 96080-6564 |
| 50860-0024 | 91095-6325 | X4020-369A | 50871-0100 | 96080-6564 |
| 50860-2012 | 91095-6325 | X4020-369A | 50871-0100 | 96080-6564 |
| 50860-2024 | 91095-6325 | X4020-369A | 50871-0100 | 96080-6564 |

General Purpose Pumps 08

DOCKSIDE UTILITY & PORTABLE PUMPS

53080 Dockside Utility Pump – 230V

Heavy-duty 220 volt AC general utility pump for dockside pump-out duties.

- 17.6 GPM (67 LPM) output 10' (3m).
- Primes from dry up to 10' (3m).
- Built-in dry running protection for 30 minutes after initial prime.
- Handles hard and soft solids without clogging.
- Choice of nitrile impeller for oil-based products or neoprene for water-based products.
- Not available in the USA.



| | |
|----------------|---|
| FITTING | Connections for 1-1/2" (38mm) BSP |
| SIZE | 13" long x 9-1/2" wide x 9-1/2" high (33cm x 24cm x 24cm) |
| WEIGHT | 33lb (15kg) |

| MODEL | DESCRIPTION |
|------------|--|
| 53080-2003 | 220V AC, 50Hz model, nitrile impeller |
| 53080-2001 | 220V AC, 50Hz model, neoprene impeller |
| SK411-0003 | Service Kit, nitrile |
| SK411-0001 | Service Kit, neoprene |

53040 Dockside Utility Pump – 230V

Heavy-duty 220 or 110 volt AC general utility pump for dockside pump-out duties.

- 8.8 GPM (33.3 LPM) output 10' (3m) total head.
- Primes from dry up to 10' (3m).
- Built-in dry running protection for 30 minutes after initial prime.
- Handles hard and soft solids without clogging.
- Choice of nitrile impeller for oil-based products or neoprene for water-based products.
- Not available in the USA.



| | |
|----------------|---|
| FITTING | Connections for 1" (25mm) BSP |
| SIZE | 11-1/2" long x 8-1/4" wide x 8-3/4" high (29cm x 21cm x 23cm) |
| WEIGHT | 21lb (9.5kg) |

| MODEL | DESCRIPTION |
|------------|--|
| 53040-2003 | 220V AC, 50Hz model, nitrile impeller |
| 53040-2021 | 220V AC, 50Hz model, neoprene impeller |
| 53040-2103 | 110V AC, nitrile impeller |
| SK409-0003 | Service Kit, nitrile |
| SK409-0021 | Service Kit, neoprene |

Portable Pumps

Constructed of sturdy ABS plastic with comfort-grip handle, providing smooth firm strokes. Available in 24" (61cm) with hose and 48" (122cm) with hose.



| MODEL | DESCRIPTION |
|-------|---------------------------------------|
| 165 | 8 GPM (30 LPM) with 24" (61cm) hose |
| 168 | 10 GPM (38 LPM) with 48" (122cm) hose |

08 General Purpose Pumps

DRILL PUMPS & GENERAL PUMPS



Drill Pumps



Jabco Drill Pumps provide a very versatile means of transferring fluid almost anywhere an electric drill with 1/4" to 3/8" (6mm to 10mm) chuck can be operated. They provide easy, powered pumping almost anywhere a hand utility pump might be used.

- Pumps up to 3.5 GPM (13 LPM).
- Self-priming to 3' (1m).
- 1/4" (6mm) diameter shaft.
- Supplied with 3/4" (19mm) garden hose thread port adapters.
- Model 17215-0000 includes accessories for oil changing.

| | |
|----------------|---|
| FITTING | Connections for 1/2" (13mm) ID hose and 3/4" GHT female threaded fittings |
| SIZE | 3-5/16" long x 3-1/2" wide x 2-3/16" high (84mm x 89mm x 56mm) |
| WEIGHT | 0.5lb (0.2kg) |

| MODEL | DESCRIPTION |
|--------------|--|
| 17250-0003 | Pump (boxed) with two GHT port adapters |
| 17215-0000 | Pump (poly bagged with header card) with two GHT port adapters, 1/4" x 40" (6mm x 102cm) probe and 1/2" x 36" (13mm x 91cm) hose for changing oil through a dipstick tube. Carton: 12 boxed or bagged units. |
| 17255-0003-P | Replacement Nitrile Impeller and Shaft |



WARNING

Explosion hazard. Pumps with AC motors can spark. Explosion and death can occur. Do not use where flammable vapors are present.

Always use a RCD circuit breaker when using electrical equipment near water. Always ensure that equipment is properly grounded.

High Speed Inflator/Deflator



The Rule High Speed Inflator/Deflator inflates a typical 4-man dinghy in as little as one to two minutes. Adjustable nozzles have been included for most inflatables and valve types. Inflator kit available for replacement adapters.

- 12 volt, 25 amp, maximum 2.6 psi, 20 CFM.
- 10' (3m) cable length with battery clips.
- Pre-lubricated and sealed bearings to ensure long life.
- Robust fan drive belt for long life.
- Adjustable nozzles for most inflatables and valve types included.
- Grip pad for one-handed operation.
- For replacement adapters, Model iD20K Inflator

| MODEL | DESCRIPTION |
|-------|---------------------------------|
| iD20 | Inflator/Deflator with Adapters |
| iD20K | Replacement Adapter Kit |

General Purpose Centrifugal Pumps



The Rule General Purpose Pump is designed for use as a washdown pump and/or to circulate water to your livewell tanks. Heavy-duty construction for commercial or pleasure boat use. 1-1/2" (38mm) inlet and 1-1/2" (38mm) discharge outlet. The Rule General Purpose Pump must be mounted below the waterline. It does not deliver high pressure, nor is it self-priming. It pumps lots of water, but at low pressure. 12 volt DC unless noted.

| MODEL | DESCRIPTION |
|-------|---|
| 17A | Non-automatic, 3800 GPH (14380 LPH) |
| 18A | Non-automatic, 3700 GPH (14002 LPH), 24V DC |
| 19A | Non-automatic, 3700 GPH (14002 LPH), 32V DC |

General Purpose Pumps 08

BALLAST PUMPS

Ballast Puppy



Jabsco now offers wakeboard and ski boat water ballasting pumps. These pumps can deliver almost 80 pounds (10 gallons) of water ballast per minute.

- 9 GPM (40 LPM).
- Fills a typical 40 gallon ballast tank in under 5 minutes.
- Reversible to both fill and empty ballast tanks.
- Self-priming and non-airlocking.
- Exclusive (patent pending) Run-Dry Protection shuts off pump before impeller is damaged.
- Complies with USCG 183.410 and ISO 8846 MARINE (Ignition Protection).

| | |
|----------------|---|
| FITTING | 1" (25mm) hose barb or 1/2" (13mm) NPT internal thread |
| SIZE | 7-1/8" long x 4-3/4" wide x 3-5/8" high (18cm x 12cm x 9cm) |
| WEIGHT | 6lb (2.7kg) |

| MODEL | DESCRIPTION |
|------------|--|
| 18220-1127 | Reversing switch included |
| 18220-2127 | Reversing switch not included |
| 18220-9127 | Deutsch connector, no reversing switch |
| 6303-0007 | Replacement Impeller |

For service and spare parts listing, see page 226.

Ballast King



Utilizing our reversible flexible impeller pump technology, ballast systems can be filled or emptied with the new Ballast King – 15 GPM. Ballast systems fitted with our Reversing Polarity Switch can fill or empty ballast tanks with one pump in minutes.

- Includes run-dry impeller.
- 15 GPM (57 LPM) flow rate.
- Ballast King adds approximately 125 pounds of ballast water per minute.
- Reversible pump both fills and empties ballast tanks.
- Ballast King is self-priming to 4' (1.2m).
- Available with or without Reversing Polarity Switch to fill or empty ballast tanks.
- Complies with USCG 183.410 and ISO 8846 MARINE (Ignition Protected).

| | |
|----------------|--|
| FITTING | 1" (25mm) hose barb or 1/2" (13mm) NPT internal thread |
| SIZE | 8" long x 4-3/4" wide x 4" high (20.5cm x 12cm x 10cm) |
| WEIGHT | 7.5lb (3.4kg) |

| MODEL | DESCRIPTION |
|------------|--|
| 22610-9007 | Reversing switch not included |
| 22610-9507 | Reversing switch included |
| 22610-9407 | Deutsch connector, no reversing switch |
| 23095-0007 | Replacement Impeller |

08 General Purpose Pumps

UTILITY PUMPS



12210 Series Utility Pumps – 115V

The 12210 Series Pumps are the most compact, self-priming flexible impeller 115 volt AC utility pumps Jabsco offers.

- Bronze pump head.
- 3.4 GPM (12.8 LPM) output at 10' (3m) total head.
- Replaceable brushes.
- Intermittent duty cycle.
- 6' (1.8m) power cord with grounded plug.



| | |
|----------------|---|
| FITTING | 3/8" (10mm) NPT internal thread |
| SIZE | 6-7/8" long x 4" wide x 3-5/8" high (17.5cm x 10.2cm x 9.2cm) |
| WEIGHT | 5lb (2.3kg) |

| MODEL | DESCRIPTION |
|------------|-------------------------------------|
| 12210-0001 | 115V AC, neoprene impeller (Non CE) |
| 12210-0003 | 115V AC, nitrile impeller (Non CE) |
| 1414-0001 | Replacement Neoprene Impeller |
| 1414-0003 | Replacement Nitrile Impeller |

18610 Series Utility Pumps – 115V

The 18610 Series Pumps are very versatile, moderate flow rate, portable self-priming utility pumps suitable for continuous duty applications.

- Bronze pump head.
- 5.8 GPM (22 LPM) output at 10' (3m) total head.
- Continuous duty motor with thermal overload protection.
- 8' (2.4m) power cord with grounded plug.
- Convenient carrying handle.



| | |
|----------------|---|
| FITTING | 1/2" (13mm) NPT internal thread, 1" (25mm) OD hose barb |
| SIZE | 9" long x 5-5/8" wide x 7-5/16" high (22.9cm x 14.3cm x 18.6cm) |
| WEIGHT | 12lb (5.4kg) |

| MODEL | DESCRIPTION |
|------------|-------------------------------------|
| 18610-0001 | 115V AC, neoprene impeller (Non CE) |
| 18610-0003 | 115V AC, nitrile impeller (Non CE) |
| 7273-0001 | Replacement Neoprene Impeller |
| 7273-0003 | Replacement Nitrile Impeller |

11810 Series Utility Pumps – 115V

The 11810 Series Pumps are robust, portable self-priming utility pumps with a substantial flow rate.

- Bronze pump head.
- 9.5 GPM (36 LPM) output at 10' (3m) total head.
- Continuous duty motor with thermal overload protection.
- 8' (2.4m) power cord with grounded plug.
- Convenient carrying handle.
- Available with open drip-proof or totally enclosed fan-cooled motor.



| | |
|----------------|---|
| FITTING | 1/2" (13mm) NPT internal thread, 3/4" (19mm) OD garden hose thread |
| SIZE | 10-1/2" long x 7-1/4" wide x 7-3/4" high (26.7cm x 18.4cm x 19.7cm) |
| WEIGHT | Open Drip-Proof: 20lb (9.1kg) Totally Enclosed Fan-Cooled: 25lb (11.4kg) |

| MODEL | DESCRIPTION |
|------------|--|
| 11810-0003 | 115V AC, nitrile impeller, open drip-proof motor (Non CE) |
| 11810-0011 | 115V AC, neoprene impeller, totally enclosed fan-cooled motor (Non CE) |
| 11810-0013 | 115V AC, nitrile impeller, totally enclosed fan-cooled motor (Non CE) |
| 5929-0001 | Replacement Neoprene Impeller |
| 5929-0003 | Replacement Nitrile Impeller |

6050 Series Utility Pumps – 115V

The 6050 Series Pumps are the highest capacity self-priming portable utility pumps offered by Jabsco.

- Bronze pump head.
- 3 GPM (87 LPM) output at 10' (3m) total head.
- Continuous duty motor with thermal overload protection.
- Motor wired to operate with 115V AC and can be converted to 230V AC.
- Available with open drip-proof or totally enclosed fan-cooled motor.
- 8' (2.4m) power cord with grounded plug.
- Convenient carrying handle.



| | |
|----------------|---|
| FITTING | NPT internal thread |
| SIZE | 13" long x 8" wide x 8-5/8" high (22.9cm x 14.3cm x 18.6cm) |
| WEIGHT | 35.5lb (16.1kg) |

| MODEL | DESCRIPTION |
|-----------|---|
| 6050-0003 | 115V AC, nitrile impeller, open drip-proof motor (Non CE) |
| 6050-0013 | 115V AC, nitrile impeller, totally enclosed fan-cooled motor (Non CE) |
| 6056-0003 | Replacement Nitrile Impeller |



WARNING

Explosion hazard. Pumps with AC motors can spark. Explosion and death can occur. Do not use where flammable vapors are present.

110 Volt Pump

Designed to remove water from basements, garages, stairwells, utility rooms, boats and other utility applications. Available in non-automatic and automatic versions utilizing standard 110 volt AC current. UL Listed.



| MODEL | DESCRIPTION |
|---------|---|
| A53S | Automatic, 1800 GPH (6814 LPH), 8' (2.4m) cord, garden hose and rigid pipe, #57 adapters |
| A53S-24 | Automatic, 1800 GPH (6814 LPH), 24' (7.3m) cord, garden hose and rigid pipe, #57 adapters |
| A53D | 1800 GPH (6814 LPH), 8' (2.4m) cord, garden hose and rigid pipe, #57 adapters |

09 Ventilation Blowers

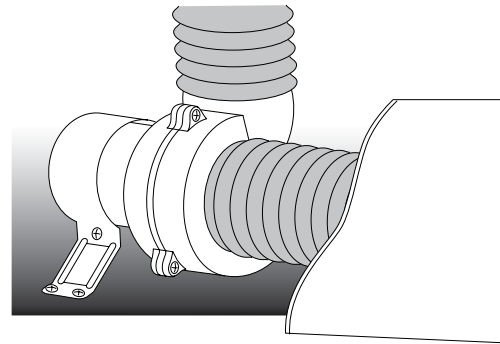
INTRODUCTION



Jabsco DC Blowers are designed to remove fumes from the engine compartments of gasoline powered boats prior to start-up, and therefore conform to ISO 8846 MARINE and USCG Regulations for ignition protection. They are listed as N.M.M.A. type accepted and comply with ISO 9097 MARINE and are CE marked. AC models are not ignition protected.

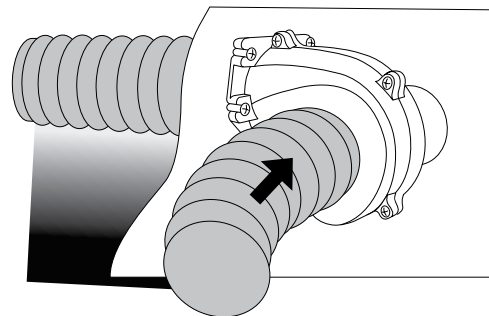
Jabsco Blowers can also be used for air intake or extraction in galleys, bilges, accommodation and head compartments. Only the heavy-duty blowers are designed for continuous duty operation in commercial or heavy use applications. Blowers should not be installed close to sources of direct heat exceeding 180°F (55°C).

Flangemount Blowers



Flangemount Blowers are of a radial design, which gives the highest output in more complex installations with longer ducting lengths and/or multiple bends in the ducting. They are generally mounted directly onto a flat bulkhead using a mounting collar to connect to the discharge ducting. This allows a very neat installation on an engine room bulk head.

Flexmount Blowers



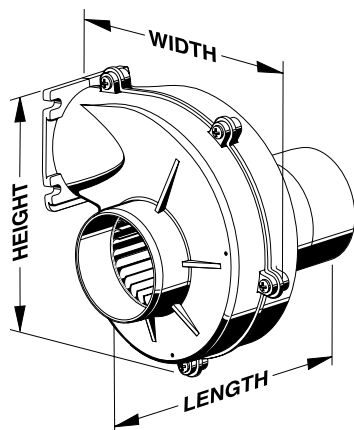
Flexmount Blowers are also of radial design, but are installed by attaching a mounting collar (supplied with the blower) around the motor to any convenient solid surface. They can be rotated inside the collar to allow the shortest ducting lengths and most convenient routings in confined spaces. Both ports are designed for slip-on flexible ducting connections.

Ventilation Blowers 09

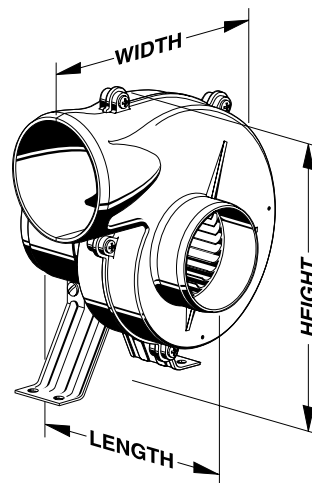
HEAVY-DUTY RADIAL BLOWERS

Sizing Definitions

Flangemount



Flexmount



Heavy-Duty Flangemount Blowers

Heavy-Duty Flangemount Blowers are designed for applications such as commercial or high-use engine room ventilation and extraction where a long-life requirement demands heavy-duty motors with long brush life. Built to provide the same high outputs as our standard specification blowers.

- 5,000 hour motor life for the heaviest of applications.
- Continuous duty.
- Efficient high-volume air flow.
- Outlet flange mounts directly on bulkhead.
- Slip-on inlet ducting connection.
- Low current draw.
- Corrosion-resistant materials throughout.
- Dimensionally stable, quiet-running Delrin rotors.
- Complies with USCG 183.410 and ISO 8846 MARINE (Ignition Protection) – DC only. ISO 9097 MARINE (Electric Fans).



| | |
|----------------|--|
| FITTING | 4" (100mm) ducting |
| SIZE | 9-1/2" long x 8-3/4" wide x 9" high (24cm x 22cm x 23cm) |
| WEIGHT | DC: 6lb (2.7kg) AC: 8lb (3.6kg) |
| VOLUME | 250cfm (7.1m ³ /min) output |

| MODEL | DESCRIPTION |
|------------|--|
| 35760-0092 | 12V DC, flangemount, fuse 15 amp |
| 35760-0094 | 24V DC, flangemount, fuse 10 amp |
| 36760-0115 | 115V AC, 60Hz, flangemount, fuse 2 amp. Not available in Europe. |

Heavy-Duty Flexmount Blowers

Flexmount Blowers are built to the same high specification as the Heavy-Duty Flangemount Blowers for use as air intake or extraction systems in engine rooms, fuel compartments, galleys or heads.

- 5,000 hour motor life for the heaviest of applications.
- Continuous duty.
- Efficient high-volume air flow.
- Flex mounting for 360° adjustable outlet.
- Slip-on inlet ducting connections.
- Low current draw.
- Corrosion-resistant materials throughout.
- Dimensionally stable, quiet-running Delrin rotors.
- Complies with USCG 183.410 and ISO 8846 MARINE (Ignition Protection) – DC only. ISO 9097 MARINE (Electric Fans).



| | |
|----------------|--|
| FITTING | 4" (100mm) ducting |
| SIZE | 9" long x 9-1/2" wide x 9-3/4" high (23cm x 24cm x 25cm) |
| WEIGHT | DC: 7lb (3.2kg) AC: 9lb (4.1kg) |
| VOLUME | 250cfm (7.1m ³ /min) output |

| MODEL | DESCRIPTION |
|------------|--|
| 35770-0092 | 12V DC, flexmount, fuse 15 amp |
| 35770-0094 | 24V DC, flexmount, fuse 10 amp |
| 36770-0115 | 115V AC, 60Hz, flexmount, fuse 2 amp. Not available in Europe. |

09 Ventilation Blowers

RADIAL & IN-LINE BLOWERS



Flangemount Blowers

Range of high-volume air intake or extraction blowers for engine room, fuel compartment, galley or heads.

- Outlet flange mounts directly on bulkhead.
- Slip-on inlet ducting connection.
- Low current draw.
- Dimensionally stable, quiet-running Delrin rotors.
- Corrosion-resistant materials throughout.
- Complies with USCG 183.410 and ISO 8846 MARINE (Ignition Protection).
- ISO 9097 MARINE (Electric Fans).



| OUTPUT VOLUME | MODEL NUMBER | VOLTS | FUSE SIZE | HEIGHT | WIDTH | LENGTH | FITTING | WEIGHT |
|---------------------------------|--------------|--------|-----------|---------------|---------------|---------------|--------------------|-------------|
| 105cfm (3m ³ /min) | 35115-0020 | 12V DC | 6 | 5-1/2" (14cm) | 4-3/4" (12cm) | 6-3/4" (17cm) | 3" (75mm) ducting | 4lb (1.8kg) |
| 150cfm (4.2m ³ /min) | 34739-0010 | 12V DC | 10 | 7-3/4" (20cm) | 6-3/4" (17cm) | 8" (20cm) | 3" (75mm) ducting | 5lb (2.3kg) |
| 150cfm (4.2m ³ /min) | 34739-0020 | 24V DC | 5 | 7-3/4" (20cm) | 6-3/4" (17cm) | 8" (20cm) | 3" (75mm) ducting | 5lb (2.3kg) |
| 250cfm (7.1m ³ /min) | 35400-0000 | 12V DC | 15 | 9" (23cm) | 8-3/4" (22cm) | 8-3/4" (22cm) | 4" (100mm) ducting | 6lb (2.7kg) |
| 250cfm (7.1m ³ /min) | 35400-0010 | 24V DC | 7.5 | 9" (23cm) | 8-3/4" (22cm) | 8-3/4" (22cm) | 4" (100mm) ducting | 6lb (2.7kg) |

Flexmount Blowers

Range of high-volume air intake or extraction blowers for engine room, fuel compartment, galley or heads.

- Flexmounting for 360° adjustable outlet.
- Slip-on inlet and outlet ducting connections.
- Low current draw.
- Dimensionally stable, quiet-running Delrin rotors.
- Corrosion-resistant materials throughout.
- Complies with USCG 183.410 and ISO 8846 MARINE (Ignition Protection).
- ISO 9097 MARINE (Electric Fans).

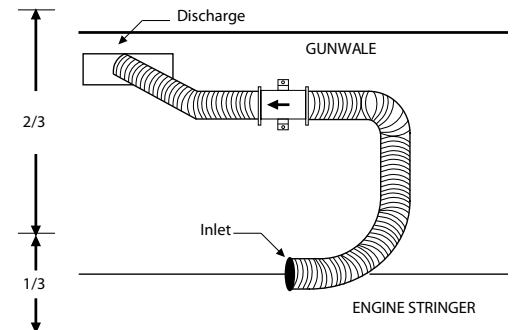


| OUTPUT VOLUME | MODEL NUMBER | VOLTS | FUSE SIZE | HEIGHT | WIDTH | LENGTH | FITTING | WEIGHT |
|---------------------------------|--------------|---------|-----------|-----------------|------------------|-----------------|--------------------|---------------|
| 105cfm (3m ³ /min) | 35115-0010 | 12V DC | 6 | 5-1/2" (14cm) | 5" (13cm) | 6-3/4" (17cm) | 3" (75mm) ducting | 3.5lb (1.6kg) |
| 140cfm (4.0m ³ /min) | 36740-0031 | 115V AC | 1.25 | 9" (23cm) | 7-3/4" (20cm) | 8-1/4" (21cm) | 3" (75mm) ducting | 5lb (2.3kg) |
| 150cfm (4.2m ³ /min) | 36740-0000 | 12V DC | 10 | 9" (23cm) | 8-1/4" (21cm) | 8" (20cm) | 3" (75mm) ducting | 5.5lb (2.5kg) |
| 150cfm (4.2m ³ /min) | 36740-0010 | 24V DC | 5 | 9" (23cm) | 8-1/4" (21cm) | 8" (20cm) | 3" (75mm) ducting | 5.5lb (2.5kg) |
| 250cfm (7.1m ³ /min) | 35440-0000 | 12V DC | 15 | 9-5/8" (24.5cm) | 9-3/16" (23.4cm) | 9-1/8" (23.2cm) | 4" (100mm) ducting | 7lb (3.2kg) |
| 250cfm (7.1m ³ /min) | 35440-0010 | 24V DC | 7.5 | 9-5/8" (24.5cm) | 9-3/16" (23.4cm) | 9-1/8" (23.2cm) | 4" (100mm) ducting | 7lb (3.2kg) |

In-Line Blowers

Rule In-Line Blowers provide ventilation for bilges, engine compartments, galleys and heads. Designed for efficient, high output operation, these blowers feature our exclusive front and rear shaft seals and corrosion-resistant motor housings for long life. Compact and easily installed on any flat surface, Rule In-Line Blowers provide higher air flow and lower amp draw.

- Efficient high-volume air flow.
- Quiet operation.
- Low amp draw.
- Slip-on inlet and outlet ducting connections.
- Sealed motor shaft for moisture protection.
- Corrosion-resistant nickel-plated motor housing.
- ABYC - H2; ISO 9097.
- IMCI (CE).
- N.M.M.A. type accepted.
- USCG 183.410 Compliant; Ignition protected.



| MODEL NUMBER | VOLTS | FUSE SIZE | HEIGHT | WIDTH | LENGTH | FITTING | WEIGHT |
|--------------|--------|-----------|------------------|-------------|-------------|--------------------|-----------------|
| 140 | 12V DC | 4 | 3-3/16" (8.1cm) | 3" (7.6cm) | 5" (12.7cm) | 3" (75mm) ducting | 1.2lb (0.55kg) |
| 140-24V | 24V DC | 2.5 | 3-3/16" (8.1cm) | 3" (7.6cm) | 5" (12.7cm) | 3" (75mm) ducting | 1.2lb (0.55kg) |
| 240 | 12V DC | 4 | 4-3/16" (10.6cm) | 4" (10.2cm) | 6" (15.2cm) | 4" (100mm) ducting | 1.28lb (0.58kg) |
| 240-24V | 24V DC | 2.5 | 4-3/16" (10.6cm) | 4" (10.2cm) | 6" (15.2cm) | 4" (100mm) ducting | 1.28lb (0.58kg) |

10 Searchlights

INTRODUCTION



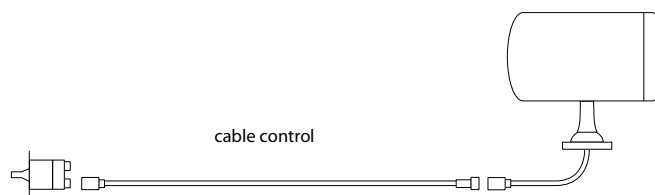
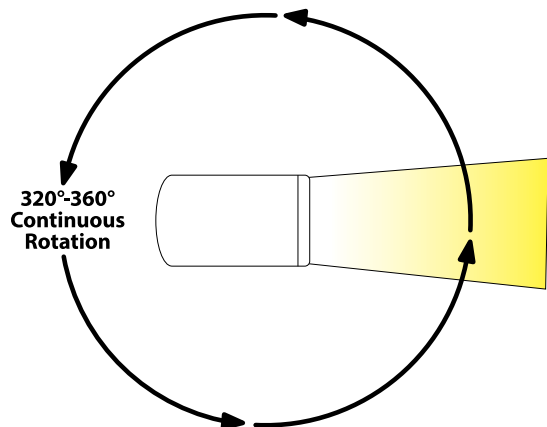
A marine searchlight has to be capable of performing a range of tasks from locating buoys to illuminating a narrow channel and, occasionally, searching for a man overboard. Therefore, it needs to be designed to offer the best combination of beam spread (width) and intensity (length) for both shorter and longer range work. Typically, our spot beams have a 7° beam spread as opposed to 40° on a flood beam and will consequently reach at least 3 times further.

We quote performance of our searchlight range in two ways: candlepower and lux. Candlepower is a useful guide to actual light produced, but does not measure the efficiency of reflector design to project that light at the target. The most relevant comparison guide is lux, which is the measurement of actual light available at a given distance. In order to be able to distinguish a reasonable level of detail, a level of one lux is generally considered to be necessary.

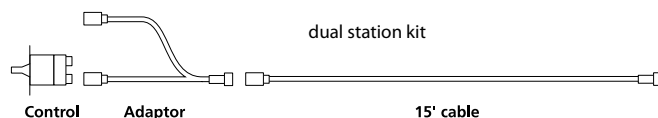
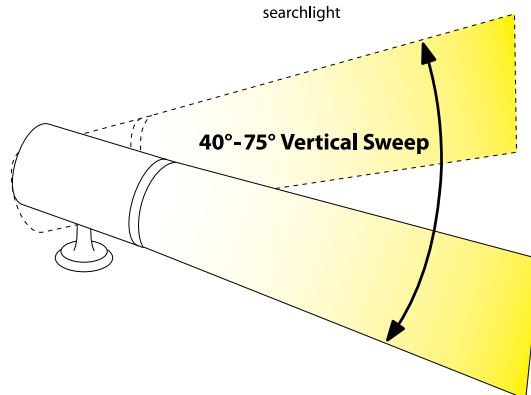
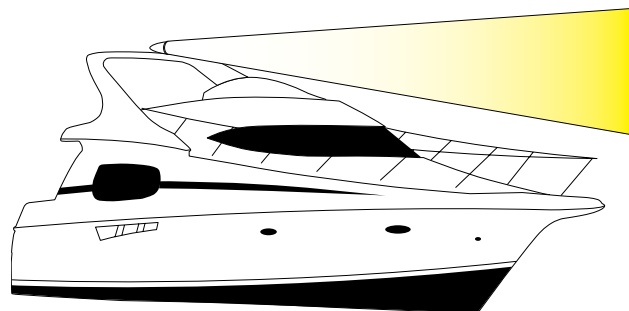


Remote Control Lights

The advantage of the remote control is that it allows you to direct the light in the best location for maximum effectiveness. They are an increasingly popular addition on power boats, helping locate buoys, moorings and channel markers. Control is by joystick or touchpad. Secondary remote control kits can be bought for most models, which allow control from either the flybridge or main helm.



Control and 15' (4.5m) cable included with all Remote Control Lights. Extension Cables also available.

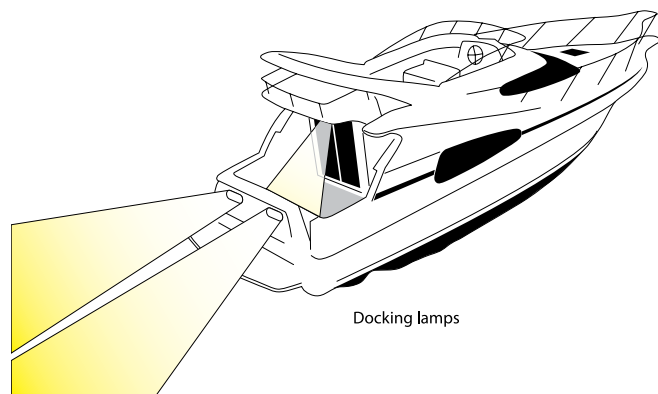


Dual Station Kits also available.

Floodlights

Bracket mounted flood lights give good service in deck illumination, especially on small fishing boats and commercial craft.

Flush mount floodlights provide a clean installation ideally suited for leisure craft. Two beam shapes are available – trapezoidal for deck illumination, with sharp beam pattern edges, and flood for deck illumination and transom mounting, with diffused beam pattern edges. In each case, bulb adjustment allows the beam to be directed to the required area.



10 Searchlights

REMOTE CONTROL LIGHTS



7" (180mm) & 8" (200mm) RC Searchlights

Remote mounting searchlights electrically controlled from helm station for leisure, commercial and patrol crafts.

- 7" (180mm) and 8" (200mm) models have spot beam only.
- Single joystick controls both 70° vertical and 450° horizontal sweep.
- Variable speed control enables fast search and yet precise targeting.
- Optional secondary full control panel for dual helm stations.
- Internal brake system holds beam firmly on target.
- Heavily chromed all brass beam housing and base unit.
- 8' (2.5m) wiring cable, with optional extension cables.



7" (180mm)

| | |
|---------------|--|
| SIZE | 11" long x 7" wide x 13" high (28cm x 18cm x 33cm) |
| WEIGHT | 9lb (4.1kg) |
| LUX | 1 lux at 1380' (418m) |

| MODEL | DESCRIPTION |
|------------|---|
| 62040-4002 | 12V DC, fuse 20 amp, 18 lux at 330' (100m) |
| 62040-4006 | 24V DC, fuse 10 amp, 18 lux at 330' (100m) |
| 67296-0000 | Replacement Sealed Beam, spot, 12V DC, 230,000 cp |
| 18753-0447 | Replacement Sealed Beam, flood only, 24V DC, 230,000 cp |

8" (200mm)

| | |
|---------------|--|
| SIZE | 11" long x 8-1/4" wide x 14-1/4" high (28cm x 21cm x 36cm) |
| WEIGHT | 11lb (5kg) |
| LUX | 1 lux at 2375' (719m) |

| MODEL | DESCRIPTION |
|------------|--|
| 62042-4006 | 24V DC, fuse 10 amp, 52 lux at 330' (100m) |
| 98040-0520 | Replacement Sealed Beam, 24V DC, 500,000 cp |
| 43670-1000 | Replacement Controller for 5" and 7", 12V DC |
| 60070-0000 | Replacement Controller for 7" and 8", 24V DC |

155 SL RC Searchlight

Our leading light for style, performance and value. Sweeping curves complement the latest pleasure craft profiles. Fingertip control of the watertight halogen sealed beam will pick out hazards nearly 900' (274m) away.



- Easily replaceable 5" (130mm) halogen sealed beam delivers 100,000 candlepower.
- Full 360° horizontal rotation, 75° vertical sweep.
- Complete with joystick remote control (12 volt DC model) or optional electronic touch-pad remote control, including joystick (12/24 volt DC).
- Electronic control includes automatic 20° sweep feature, two speed movement – fast for searching, slow for pinpointing target, plus automatic transmission of S.O.S. distress signal through 360° in emergency (12/24 volt DC model only).
- Complete with 15' (4.5m) cable, with optional extension cables.
- Tough, thermoplastic housing and base.
- Optional secondary remote control panel for dual helm stations – instant command from each panel without need to select station (12/24 volt DC model only).

| | |
|---------------|--|
| SIZE | 8" long x 6-3/8" wide x 8" high (20cm x 16cm x 20cm) |
| WEIGHT | 5lb (2.3kg) |
| LUX | 1 lux at 885' (268m) |

| MODEL | DESCRIPTION |
|------------|--|
| 61050-0012 | 12V DC, fuse 10 amp |
| 61050-1224 | 12/24V DC, fuse 10 amp, electronic control |
| 18753-0528 | Replacement Sealed Beam, 12/24V DC, 100,000 cp |
| 43690-1000 | Replacement Controller for 61050-1224 |
| 60030-0000 | Replacement Controller for 61050-0012 |

135 SL RC Searchlight

A remote control searchlight, developed with the 20' to 50' (7 to 15m) powerboat in mind, with many benefits of existing units at a greatly reduced cost.

- Easily replaceable halogen sealed beam delivers 100,000 candlepower.
- Supplied complete with joystick remote control.
- Optional secondary full control panel for dual helm stations.
- 320° horizontal rotation, 75° vertical sweep.
- All materials are non-corrosive.
- Complete with 15' (4.5m) cable, with optional extension cables.



| | |
|---------------|--|
| SIZE | 8-1/8" long x 7" wide x 7-7/8" high (18.5cm x 18cm x 21cm) |
| WEIGHT | 6lb (2.7kg) |
| LUX | 1 lux at 865' (262m) |

| MODEL | DESCRIPTION |
|------------|--|
| 60020-0000 | 12V DC, fuse 10 amp |
| 60020-0024 | 24V DC, fuse 5 amp |
| 18753-0178 | Replacement Sealed Beam, 12/24V DC, 100,000 cp |
| 60030-0000 | Replacement Controller, 12/24V DC |

146 SL RC Searchlight

A high-performance searchlight for medium sized yachts, remotely controlled from helm station.

- Easily replaceable halogen sealed beam delivers 175,000 candlepower.
- Supplied complete with water resistant joystick remote control.
- Tough, corrosion resistant Lexan housing.
- Full, 360° horizontal rotation, 60° vertical sweep.
- Optional secondary full control panel for dual helm stations.
- Complete with 15ft (4.5m) cable, with optional extension cables.



| | |
|---------------|---|
| SIZE | 10-1/8" long x 8-1/2" wide x 8-15/16" high (26cm x 22cm x 26cm) |
| WEIGHT | 9lb (4kg) |
| LUX | 1 lux at 1275' (386m) |

| MODEL | DESCRIPTION |
|------------|--|
| 60080-0012 | 12V DC, fuse 10 amp |
| 60080-0024 | 24V DC, fuse 5 amp |
| 18753-0455 | Replacement Sealed Beam, 12/24V DC, 175,000 cp |
| 43670-0003 | Replacement Controller, 12/24V DC |

255 SL RC Searchlight

A stylish, dual bulb searchlight for medium to larger yachts, remotely controlled from helm station.

- Easily replaceable halogen sealed beams deliver 200,000 candlepower.
- High-tech design and styling for power boats.
- Supplied complete with water resistant joystick remote control.
- Full 360° horizontal rotation, 60° vertical sweep.
- Optional secondary full control panel for dual helm stations.
- Tough, weatherproof and corrosion-resistant design.
- Complete with 25' (7.5m) cable, with optional extension cables.



| | |
|---------------|--|
| SIZE | 10-15/16" long x 10-1/2" wide x 8-13/16" high (28cm x 27cm x 23cm) |
| WEIGHT | 21lb (9.6kg) |
| LUX | 1 lux at 1040' (315m) |

| MODEL | DESCRIPTION |
|------------|--|
| 60010-2012 | 12V DC, fuse 10 amp |
| 60010-2024 | 24V DC, fuse 5 amp |
| 18753-0336 | Replacement Sealed Beams, 12/24V DC, 100,000 cp each |
| 43670-0003 | Replacement Controller, 12V DC |
| 60070-0000 | Replacement Controller, 24V DC |

10 Searchlights

REMOTE CONTROL KITS & HARNESSSES



Secondary Remote Control Kit (Electronic)



Secondary Remote Control Kits allow searchlights to be operated from both upper and lower helm stations. Kit includes secondary control panel, Y-adapter and 15' (4.5m) cable. Secondary Harness must be selected from Extension Harness options.

- Can be operated from any control panel without need for selector station.

| MODEL | DESCRIPTION |
|------------|--|
| 64044-0000 | 12/24V DC, 6" (150mm) RC, 155 SL with electronic control |

Extension Harness (Electronic Controls)



Extension Harnesses enable remote controls to be fitted further from the light than standard cables allow, and are needed to install Secondary Remote Control Kits.

- For 155 SL (12/24 volt DC) and all 6" (150mm) RC models.
- For 233 SL (12/24 volt DC).

| MODEL | DESCRIPTION |
|------------|---------------------|
| 64042-1011 | 10' (3m) Harness |
| 64042-1007 | 15' (4.5m) Harness |
| 64042-1008 | 25' (7.6m) Harness |
| 64042-1009 | 50' (15.2m) Harness |

Secondary Remote Control Kits



Secondary Remote Control Kits allow searchlights to be operated from both upper and lower helm stations. Kit includes secondary control panel, station selector panel V-splices and butt connectors. Secondary Harness must be selected from Extension Harness options.

| MODEL | DESCRIPTION |
|------------|--|
| 43670-0007 | Dual Station Control Kit, 12/24V DC, 155 SL (12V) |
| 43670-0004 | Dual Station Control Kit, 12V DC, 7" (180mm) RC (12V), 146 SL (12V), 255 SL (12V) |
| 18753-0335 | Dual Station Control Kit, 24V DC, 7" (180mm) RC (24V), 8" (200mm) RC (24V), 146 SL (24V), 255 SL (24V) |
| 43990-0023 | Fuse Cap |

Extension Harness



Extension Harnesses enable remote controls to be fitted further from the light than standard cables allow, and are needed to install Secondary Remote Control Kits.

- For 135 SL, 146 SL, 155 SL (12 volt DC), 255 SL, 5" (130) and 7" (180) RC models.

| MODEL | DESCRIPTION |
|------------|---------------------|
| 43990-0013 | 10' (3m) Harness |
| 43990-0014 | 15' (4.5m) Harness |
| 43990-0015 | 25' (7.6m) Harness |
| 43990-0016 | 50' (15.2m) Harness |

10 Searchlights

FLOODLIGHTS



Xenon Floodlights



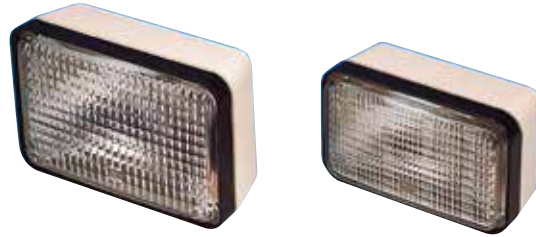
Bracket mounted xenon floodlights that deliver four times the light output of halogen floodlights and last up to five times longer. Typically used for deck lighting, emergency lighting, launching and docking, and commercial fishing boat applications.

- Compact size.
- 5000 hour life.
- Four times brighter than halogen.
- Completely sealed from moisture and dirt.
- Direct replacement for most add-on incandescent and halogen lamps.
- Isolation mounted to withstand vibration.

| | |
|---------------|--|
| SIZE | 6" long x 5" wide x 7" high (15cm x 13cm x 17cm) |
| WEIGHT | 3.5lb (1.6kg) |

| MODEL | DESCRIPTION |
|------------|---------------------|
| 63142-0012 | 12V DC, HID (xenon) |
| 63142-0024 | 24V DC, HID (xenon) |

Deck Floodlights – Ultra Bright Model



A range of compact, purpose-designed floodlights for deck, cockpit or boarding point on leisure, commercial, fishing and safety craft available in two sizes.

- Special trapezoidal beam pattern, designed to be mounted above one end of horizontal area to be illuminated, spreads light evenly over the surface.
- Sharp cut-off enables accurate selection of area to be illuminated, minimizing stray light.
- Blue Bulb technology improves visibility in low light conditions.
- Sealed beam tungsten halogen bulb with 450 hour average life.
- Choice of white or black tough polypropylene housing.
- Stainless steel universal mounting bracket.

4" x 6"

| | |
|---------------|---------------------------------|
| SIZE | 4" long x 6" wide (10cm x 15cm) |
| WEIGHT | 1.4lb (0.7kg) |

| MODEL | DESCRIPTION |
|------------|--|
| 45900-4000 | 12V DC, ultra bright, white, fuse 6 amp. Not available in Europe. |
| 45900-5000 | 12V DC, ultra bright, black, fuse 6 amp. Not available in Europe. |
| 45900-0000 | 12V DC, white, fuse 6 amp |
| 45900-2000 | 12V DC, black, fuse 6 amp. Not available in Europe. |
| 45900-0001 | 24V DC, white, fuse 3 amp |
| 45903-4000 | Replacement Sealed Beam, 12V DC, 65 watt. Not available in Europe. |
| 45903-0000 | Replacement Sealed Beam, 12V DC, 30 watt |
| 45903-0001 | Replacement Sealed Beam, 24V DC, 60 watt |

3" x 5"

| | |
|---------------|--------------------------------|
| SIZE | 3" long x 5" wide (8cm x 13cm) |
| WEIGHT | 1lb (0.5kg) |

| MODEL | DESCRIPTION |
|-------------|---|
| 45900-1000 | 12V DC, white, fuse 6 amp |
| 45900-35000 | 12V DC, black, fuse 6 amp. Not available in Europe. |
| 45903-0002 | Replacement Sealed Beam, 12V DC |

Flush Mount Floodlights



The new Jabsco Flush Mount Floodlight features a small footprint with a dual gasket design to ensure weatherproof installations.

- Sealed beam flood provides a very even beam pattern with no hot spots.
- Clean edge cut-offs prevent stray lighting.
- Sealed beam 50 watt tungsten halogen bulb with 450 hour average life.
- Small footprint design.
- Tough, white UV-stable housing will not "yellow."
- Weatherproof mounting gasket and cable seal for leak-free installation.
- Shock and vibration resistant construction.

| | |
|---------------|---|
| SIZE | 6-7/8" wide x 4-1/4" high x 2-3/4" deep (23.2cm x 10.8cm x 7cm) |
| WEIGHT | 1lb (0.5kg) |

| MODEL | DESCRIPTION |
|------------|--|
| 45930-2012 | Floodlight with Flood Beam, 12V DC, fuse 5 amp |
| 18753-0351 | Replacement Flood Sealed Beam, 12V DC |



Flush Mount Floodlights unobtrusively light up deck, cockpit or boarding point.

- Available with two bulb types – flood (for glare-free, below-deck mounting) or trapezoidal (for deck illumination).
- Easily adjustable light angle, up to 7° horizontally and 12° vertically.
- Sealed beam 50 watt tungsten halogen bulb with 450 hour average life.
- Tough, polypropylene housing.









| | |
|---------------|---|
| SIZE | 8-7/8" wide x 6-9/16" high x 3-3/16" deep (22.5cm x 17cm x 8cm) |
| WEIGHT | 3.3lb (1.5kg) |

| MODEL | DESCRIPTION |
|------------|--|
| 45960-0000 | Floodlight with Trapezoidal Beam, 12V DC, fuse 5 amp |
| 45960-0001 | Floodlight with Flood Beam, 12V DC, fuse 5 amp |
| 18753-0352 | Replacement Trapezoidal Sealed Beam, 12V DC |
| 18753-0351 | Replacement Flood Sealed Beam, 12V DC |

11 Flexible Impeller Pumps

SELECTION GUIDE










| | MODEL NUMBER | FLOW PATTERN/ CONNECTION | FITTING/PORT | DRIVE | FLANGE MOUNT | WEIGHT | SIZE | GPM (LPM) | |
|---|--------------|--------------------------|------------------------------------|----------|--------------|----------------|--|------------------|--|
|  | 5850-0001 | U | 3/4" (19mm) NPT | Coupling | Engine | 6lb (2.7kg) | 5-5/16" (13.5cm) long 4-1/4" (10.8cm) wide 3-1/4" (8.3cm) high | | |
|  | 12600-0001 | U | 3" (76mm) hose | Gear | Engine | 20lb (9kg) | 7" (17.8cm) long 7-3/8" (18.7cm) wide 8-1/2" (21.6cm) high | | |
|  | 7420-1001 | U | 1-1/4" (32mm) NPT | Pulley | Pedestal | 10.5lb (4.8kg) | 8-1/16" (20.5cm) long 5-1/8" (13cm) wide 5-1/16" (12.9cm) high | 62 GPM (235 LPM) | |
|  | 6400-1051 | - | 1-1/4" (32mm) NPT | Pulley | Pedestal | 10.5lb (4.8kg) | 8-1/16" (20.5cm) long 5-7/8" (15cm) wide 4-7/8" (12.4cm) high | 62 GPM (235 LPM) | |
|  | 18400-0050 | U | 3/4" (19mm) NPT | Coupling | Engine | 6lb (2.7kg) | 5-5/16" (13.5cm) long 4-1/4" (10.8cm) wide 3-1/4" (8.3cm) high | | |
|  | 3270-0001 | U | 3/4" (19mm) NPT | Coupling | Engine | 4lb (1.8kg) | 4-1/4" (10.8cm) long 4-1/8" (10.5cm) wide 3-7/8" (9.8cm) high | | |
|  | 7420-1001 | U | 1-1/4" (32mm) NPT vertical ports | Pulley | Pedestal | 10.5lb (4.8kg) | 7-1/32" (17.9cm) long 5-7/8" (15cm) wide 4-7/8" (12.4cm) high | | |
|  | 6400-1051 | - | 1-1/4" (32mm) NPT horizontal ports | Pulley | Pedestal | 10.5lb (4.8kg) | 7-1/32" (17.9cm) long 5-7/8" (15cm) wide 4-7/8" (12.4cm) high | | |

| | MARINIZED BY: | | | | | | | CATEGORY/ APP |
|--|---------------|----------|---------------|-------------|-------------|------|---------|------------------|
| | CUMMINS | FLAGSHIP | PALMER LEHMAN | CHRIS-CRAFT | CATERPILLAR | ONAN | PERKINS | |
| | | X | X | X | | | | EC |
| | X | | | | | | | EC |
| | | | | | X | | | EC |
| | | | | | X | | | EC |
| | | | | | | X | | EC |
| | | | | | | | X | EC |
| | | | | | X | | | EC |
| | | | | | X | | | EC |

11 Flexible Impeller Pumps

SELECTION GUIDE



| | MODEL NUMBER | FLOW PATTERN/ CONNECTION | FITTING/PORT | DRIVE | FLANGE MOUNT | WEIGHT | SIZE | GPM (LPM) | |
|---|--------------|--------------------------|---------------------|----------|--------------|---------------|---|-----------|--|
|  | 10950 | H | 3/4" (19mm) BSP | Gear | Engine | 7lb (3.2kg) | 6-1/2" (16.6cm) long 4-1/2" (11.5cm) wide 5-1/8" (13cm) high | | |
|  | 21140 | H | 1" (25mm) BSP | Gear | Engine | 8lb (3.6kg) | 7-1/4" (18.5cm) long 4-1/2" (11.5cm) wide 5-1/8" (13cm) high | | |
|  | 29500-1001 | V | 1-1/8" (28mm) hose | Coupling | Engine | 2.5lb (1.2kg) | 4-3/4" (12.1cm) long 4" (10cm) wide 4" (10cm) high | | |
|  | 9700-01 | U | 1" (25mm) flanged | Coupling | Engine | 6lb (2.8kg) | 5-3/4" (14.9cm) long 4-3/4" (12.1cm) wide 3-7/8" (9.9cm) high | | |
|  | 9970-200 | U | 3/4" (19mm) BSP | Coupling | Engine | 4lb (1.8kg) | 5-5/8" (14.2cm) long 4" (10cm) wide 3-3/8" (8.6cm) high | | |
|  | 10970 | U | 3/4" (19mm) NPTF | Gear | Engine | 7lb (3.2kg) | 5-5/8" (14.2cm) long 4-3/4" (12cm) wide 4-1/2" (11.5cm) high | | |
|  | 10970-21 | U | 3/4" (19mm) flanged | Gear | Mount | 8lb (3.6kg) | 5-7/8" (15cm) long 5-5/8" (14.3cm) wide 4-1/2" (11.5cm) high | | |

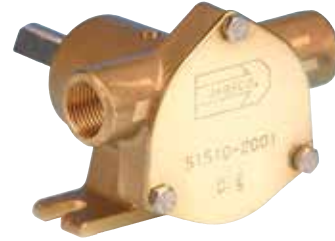
| | MARINIZED BY: | | | | | | | CATEGORY/ APP |
|--|---------------|---------|--------|------|-------|-----------|-------------------|------------------|
| | C-POWER | LANCING | LEHMAN | SABB | SABRE | WATERMOTA | PERKINS | |
| | X | X | X | X | X | X | | EC |
| | X | X | X | X | X | X | | EC |
| | | X | | | | | X | EC |
| | | | | | | | X | EC |
| | | | X | | | | X | EC |
| | | | | | | | X (4.236) | EC |
| | | | | | | | X (4.236, m90) | EC |

11 Flexible Impeller Pumps

INTRODUCTION



Jabco Original Flexible Impeller Pumps –
Pedestal, Clutch & Engine Cooling



HOW IT WORKS



Flexible vanes create increased volume when leaving the eccentric cam creating a vacuum, and thus drawing in liquid, instantly priming the pump.



As the flexible vanes rotate, the liquid is carried through the pump from the inlet to outlet port, each successive vane drawing in liquid.



When the flexible vanes again contact the eccentric cam they bend with a squeezing action which provides a continuous, uniform discharge of liquid.

FEATURES

- **Versatile:** The flexible impeller pump combines the priming feature of positive displacement type pumps with the general transfer ability of centrifugals. It will pump either thin or viscous liquids and can handle more solids in suspension than other types of rotary pumps. It operates at low or high speeds, can be mounted at any angle and pumps in either direction with equal efficiency.
- **Self-Priming:** Pumps instantly with dry suction, lifts up to 10' (3m) – up to 25' (8m) when wetted. Permits cleaner, safer installations. No foot valve required.
- **Simplicity:** One moving part – a tough, long-lived, wear-resistant flexible impeller, lubricated by the liquid being pumped. No metal-to-metal pumping action – no gears to jam, clog or become noisy.
- **More Capacity:** Flexible impeller pumps, in general, require less space because they deliver greater flow for weight, size and price than other types of pumps.

The data given for the engine cooling systems and pump selection is for guidance only. It does not cover high-performance engines. You should always consult the engine marinizer.

It is important that Jabsco Engine Cooling Pumps and Systems are matched during the design of ships' engine installations. Once installed, safety margins must be safeguarded, i.e., the emphasis must be on *preventive*, not corrective maintenance.

Cooling systems most commonly used for marine propulsion engines are:

- Heat exchanger cooling
- Keel cooling
- Direct cooling

Heat Exchanger Cooling

This is also known as a closed system, i.e., the primary cooling circuit is isolated from the surrounding atmosphere.

A centrifugal pump circulates fresh, treated water through the cylinder block passages and around the tube stack of a heat exchanger. The Jabsco raw water pump draws raw water (from sea or lake) through the ship's hull inlet and pumps it through the heat exchanger tubes where it removes the heat transmitted from the primary circuit before discharging overboard.

The heat exchanger, which can be single-pass or two-pass type, should be capable of handling approximately 10% more than the maximum engine heat rejection rate and may be fitted separately or as an integral part of the expansion/header tank. This tank allows venting of air or combustion gasses absorbed by the cooling water during engine operation and provides a positive pressure on the fresh water pump inlet. This pump, fitted in the coldest part of the primary circuit, has a capacity which will maintain a water temperature differential of approximately 45°F (8°C) across the cylinder block at full load. The engine operating temperature is regulated by a marine thermostat to about 185°F (85°C) on most engines. To provide an adequate safety margin for commercial diesel engines, which may be expected to operate more than 2500-3000 hours per year, size and rpm of the Jabsco raw water pump should be selected to give a flow capacity of approximately 15 GPM (57 LPM) for every 100hp maximum engine load and rpm.

If an exhaust manifold is fitted in the raw water or fresh water circuit, the raw water pump flow capacity should be 10-15% higher.

PRESSURE RANGES

Standard impellers

Suitable for continuous operation up to the following limits:

- 1/4", 3/8" and 1/2" port sizes to 40' (12m) head, 17.3 psi (1.2 bar).
- 1" to 2" port sizes to 70' (20m) head, 30.3 psi (2 bar).

Special high pressure impellers

Available for certain models. Impeller life will be extended by operating in the lower portion of recommended pressure range.

TEMPERATURE RANGE

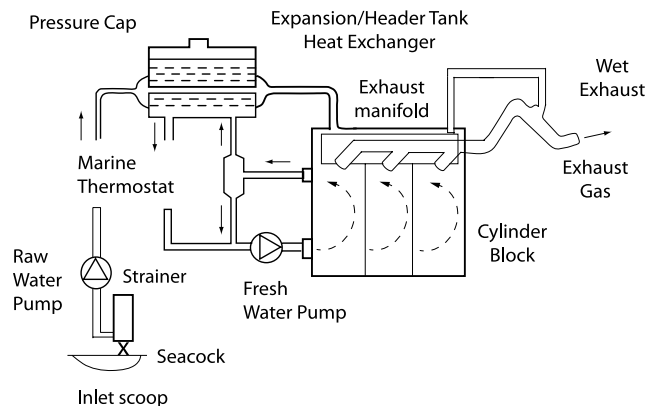
- 45° to 180°F (7° to 80°C)

For fluids less than 45°F (7°C) consult with the factory.

OPERATING SPEEDS

Ball bearing pumps

- 1/4" or 1/2" ports: 3600 rpm max.
- 3/4" or 1" ports: 3000 rpm max.
- 1-1/4" ports: 2200 rpm max.
- 2" ports: 2200 rpm max.



Additional coolers, such as oil coolers or charge air coolers, must be fitted *after* the pump, but in a compromise between reliability, size and weight, and pump delivery. Head should be about 10-13 psi of water at maximum rpm.

Safety margins in pump inlet systems are extremely critical, so any restrictions or bends, other than seacock and inlet strainers, are to be avoided at all costs (see Suction System page 97).

Raw water from the exhaust manifold is often injected into the exhaust pipe (*after* an exhaust elbow to prevent raw water flowback into the cylinders), which may then be ducted through areas where a hot pipe would create a hazard. This is known as a "wet exhaust" system. In addition, mixing of water with exhaust gases will reduce exhaust noise. However, on small engines the raw water flow should not be less than 2.5- 4 GPM (9.5-15 LPM) for adequate silencing.

11 Flexible Impeller Pumps

INTRODUCTION



Keel Cooling

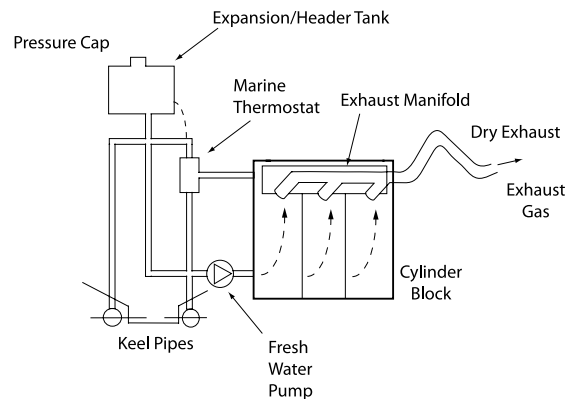
In principle, this is similar to a heat exchanger cooled system, but the raw water circuit and heat exchanger have been replaced by pipes attached externally to the vessel's keel.

Pipe bore and surface area must be adequate for effective dissipation of heat from the primary circuit to sea or river water. In some installations where the flow capacity of the centrifugal circulating pump is insufficient due to system pressure losses through keel pipes, cylinder block and exhaust manifold, a Jabsco pump may be used (flow capacity approximately 30 GPM [113 LPM] for every 100hp at maximum engine load and rpm).

Alternatively, the ship's steel hull may be used as the cooling surface and the heat transmitted directly to the surrounding sea or river water from a tank welded inside to the bottom.

The "dry exhaust" can be made a "wet exhaust" by a separate raw water pump.

The expansion/header tank may be fitted separately. In which case, it must be connected directly to the circulating pump inlet and the primary circuit adequately vented into the tank.



Direct Cooling

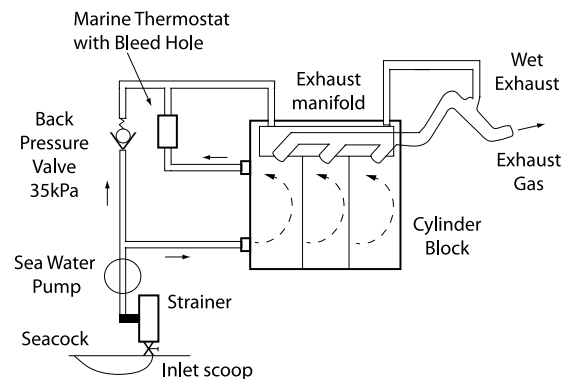
Raw water is pumped directly through the engine block. However, as the temperature of the water entering the block is ambient, the outlet temperature needs to be much lower than in an indirect cooled engine to reduce the formation of scale and salt deposits and thermal stresses in the cylinder block.

Lower operating temperature means that engine performance will be considerably less efficient, and direct cooling systems should, therefore, not be used on commercial craft engines.

For weekend pleasure craft engines which operate no more than 50-100 hours per year, reliability margins will probably be maintained for a number of years until deposits in the engine cooling passages begin to affect heat transfer to the cooling water.

Engine operating temperature is best controlled by a marine thermostat rather than a manually operated valve.

For cold engine start, the thermostat will be closed and most of the cooling water (about 10 GPM [38 LPM] for every 100hp at full load and speed) will bypass the engine via a spring-loaded back pressure valve and discharge into the exhaust manifold. A small bleed hole in the thermostat will ensure a slow circulation of cooling water through the cylinder block to prevent "hot spots" while the engine is warming.



Safety Margins

The raw water flow capacities indicated earlier are for diesel engine cooling systems and include a safety margin of some 30% to ensure adequate engine cooling under adverse operating conditions.

As gasoline engines, unlike diesel engines, have a high heat rejection rate at idling speed, an increase in pump flow capacity of some 10% at maximum rpm is recommended.

While flow capacities can be affected by salt deposits or scale in pipes due to operation in tropical regions, seawater pollution or age and wear of pumps and systems in general, this is usually a gradual process with ample warning that preventive maintenance can counteract.

Far more serious is a reduction in cooling water flow due to adverse conditions caused by an inadequate system.

When marine vegetation such as seaweed gets stuck in seawater inlet strainers of insufficient mesh or hole size, this can cause a significant reduction of the cooling water supply to the pump.

On the other hand, no amount of pump flow capacity will safeguard against a sudden but total blockage – for example, a plastic bag covering up the hull inlet. System safety margin can be substantially increased by providing two separate hull inlets usually on either side of the keel, joining the pump inlet pipe below the water line. In actual practice, the likelihood of both inlets being covered simultaneously has been found to be insignificant.

As heat exchanger and cooler manufacturers' recommendations for a given engine performance and corresponding pump flow will include appropriate safety margins for minimum and maximum flow, it should be kept in mind that excessive water velocities through the heat exchanger pipes due to "overkill," i.e., fitting oversize cooling pumps, may cause pipe erosion and accelerated pump wear through excessive pump operating pressures.

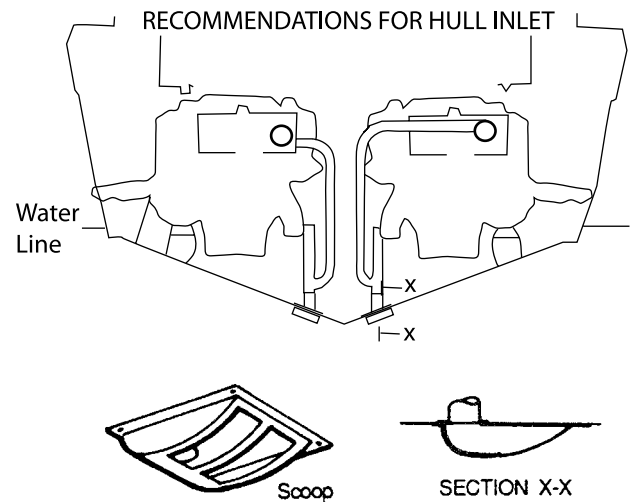
Low water velocities through heat exchanger tubes, on the other hand, could result in the formation of sludge. Therefore, too small a pump (insufficient safety margins) may cause inefficient operation of heat exchangers and coolers for much of the time.

Suction System

To provide reliable performance under seagoing conditions, a raw water cooling pump must operate in a correctly designed cooling system. It is, therefore, essential that cooling water should reach the pump without having to overcome undesirable resistance or restrictions.

The following general rules are given for guidance:

- Suction pipe bore must not be smaller than the pump inlet connection, but if total suction pipe exceeds 10' (3m) in length, the bore should be one size larger, particularly if the pump is operated at high speeds. Use the same size bore pipe throughout, i.e., avoid sudden enlargements or contractions. Use long tapered sections of pipe at any change in pipe bore.
- The suction pipe run should be as straight as possible, i.e., avoid unnecessary bends. Do not use square or standard elbows, instead use long sweep bends.
- *Do not fit gearbox or engine oil coolers in the pump suction system. Always install after the pump.*
- Seacocks of the same nominal size as the suction pipe work should be of the ball or plug type, giving full through bore in the open position. The handle position should clearly indicate whether seacocks are open or closed.
- Seawater inlet strainers should have a hole or mesh size of at least 1/8" (3mm) diameter and up to 3/16" (5mm) for larger pumps, but smaller than the heat exchanger tube bore.
- Check frequently that inlet strainer is not clogged. If in doubt clean thoroughly.
- Fast boats (over 12-15 knots) and planing craft must be fitted with inlet scoops positioned in a permanently wetted area of the ship's hull to create sufficient inlet pressure at higher boat speeds. Flush inlet fittings are not suitable for fast boats.



11 Flexible Impeller Pumps

INTRODUCTION



Pump Selection

Most proprietary marine engines are already fitted with specially adapted flange mounted Jabsco cooling pumps driven by gears or couplings of various descriptions.

A belt drive from the crankshaft pulley will enable almost any standard foot mounted bronze Jabsco pump to be selected, provided that the required cooling flow rate is obtained without operating the pump at excessive speeds.

Global cooling water requirement for each 100hp at maximum engine load and rpm is at right.

DIESEL ENGINES

Heat exchanger cooling

18 GPM (68 LPM) – raw water

Keel cooling

36 GPM (136 LPM) – fresh water

Direct cooling

12 GPM (45 LPM) – raw water

GASOLINE ENGINES

Increase diesel engine figures by about 10%.

If exhaust manifolds are water cooled, increase pump capacity by a further 10-15%.

Pump Types

Selection may depend upon pump speed, space available and type of drive.

BALL BEARING PUMPS

For pump speeds in excess of 2500 rpm, ball bearing pumps should be used. Depending on size and duty, speeds of up to 5000 rpm are possible, but special attention to suction system conditions is then required (consult Jabsco).

Ball bearing pumps are available in heavy-duty and compact types.

HEAVY-DUTY PUMPS

This range is designed with two spaced bearings and mechanical rotary face seals to meet high reliability criteria under adverse operating conditions, i.e., excessive belt tension, high operating pressure, abrasive conditions found in shallow waters or in-shore operation. Pump bodies are either bolted to a bearing housing or body and bearing housing are a single, integral casting. These types of pumps are often unique to the application, but some varying pump types can share common bearing housings.

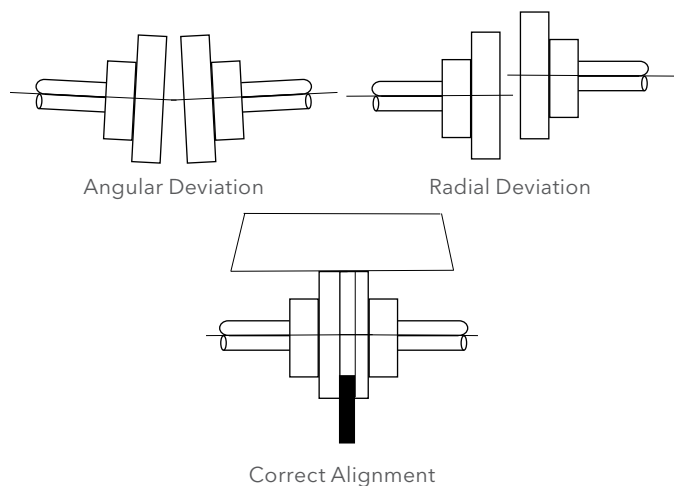
COMPACT PUMPS

This pump range is fitted with double row ball bearings, providing a low cost compromise between overall pump length and a limited heavy-duty capability.

Bearings are shielded, ensuring permanent lubrication by the special grease.

Pump Drive Failure

The majority of pump failures are caused by badly designed pump systems. Secondary causes of pump problems are unsatisfactory drive arrangements.



Pump Drives

DIRECT DRIVES

Misalignment between pump and drive shaft is a common cause of pump failure.

A flexible coupling is only "flexible" within limitations specified by the manufacturer. Excessive misalignment, particularly at high pump speeds, can cause noise, knocking, vibration, premature bearing failure, usually followed by pump leakage.

BELT DRIVES

The pump speed is determined by the engine pulley diameter and the need to maintain the pump pulley at a practical maximum size. Some engine crankshaft pulleys incorporate vibration dampening membranes resulting in large diameters at the V-groove. To lower pump speed relative to engine speed, it is necessary to use a pulley on the pump that is larger than the drive pulley. High engine speeds may, therefore, require oversize pump pulleys which preclude the practicality of a belt drive. Calculating a suitable size pump pulley (example):

$$\frac{\text{Drive Pulley Diameter}}{\text{Pump Pulley Diameter}} \times \text{Engine Speed} = \text{Pump Speed}$$

Excessive drive belt tension will cause rapid belt wear and may result in premature bearing failure. It should be possible to deflect a correctly tensioned belt between pulleys approximately 1/2"-3/4" (13-19mm) by applying finger pressure.

While excessive belt tension may be due to inadvertent overtightening, it should always be verified that it did not result from an inherent fault in the installation, e.g., if pump flow is insufficient due to a slipping belt caused by insufficient contact area between belt and pulley, any amount of tightening would not solve the problem permanently. Ideally, the contact area should be about 120° but not less than 90°.

If the engine is installed on flexible mountings, a belt driven pump must be mounted on the engine, never bolted to the vessel's structure. This is to avoid tensioning or slackening of the drive belt due to relative movements of the engine.

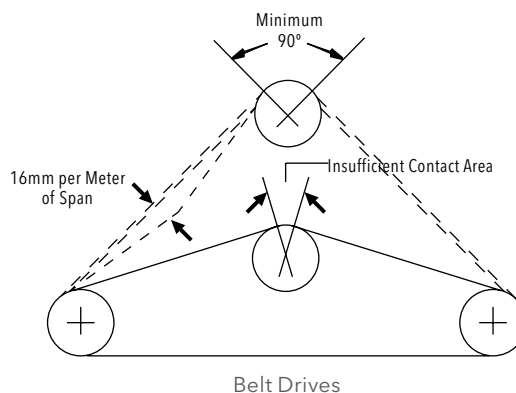
GEAR DRIVES

Drive gears fitted to "heavy-duty" flange mounted pumps are supported by the pump ball bearings and driven by one of the engine gears.

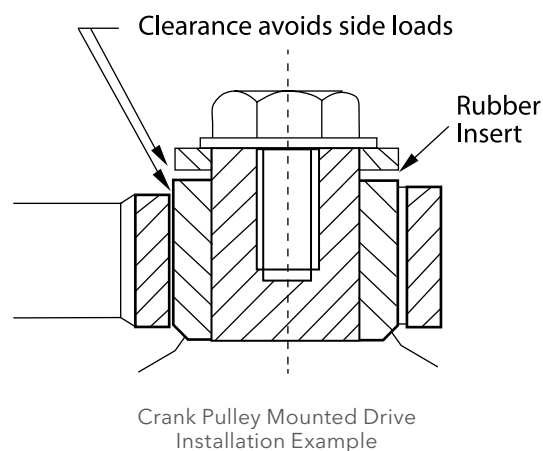
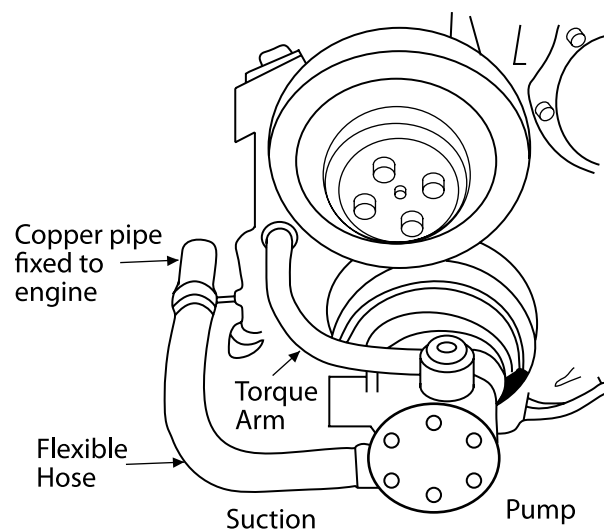
CRANK PULLEY MOUNTED DRIVE

A number of Jabsco pumps specially developed for high speed operation on gasoline and diesel engines are fitted with a multi-positional bearing housing bolted directly to the crankshaft pulley, thus eliminating mounting brackets, belts and pulleys.

As the pump body is supported by the ball bearing only, it must be prevented from rotating by means of a torque arm, designed and installed so as to avoid any side load on the bearing. Inlet and outlet hoses must be flexible, i.e., of adequate length (at least 10 times the hose diameter) so that the pump can be rotated freely over a few degrees by finger pressure only.



Belt Drives



11 Flexible Impeller Pumps

PULLEY DRIVEN PUMPS



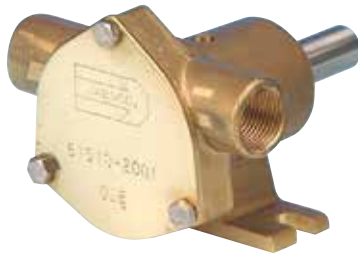
Jabco pumps have serviced major engine builders globally for more than 70 years. The self-priming flexible impeller pump is the industry recognized technology standard for leisure and work boat engine cooling. Being an original Jabco, you are assured the highest grade bronze and stainless steels are used in keeping your engine at peak operating temperature. Operating in either direction, with flows up to 83 GPM (314 LPM) and multiple port configurations, flexible impeller pumps are ideally suited

to washdown, circulation and fire duty applications onboard or dockside. Where needed, these pumps have easily replaced cams, end covers and wearplates for extended product life.

For service and spare parts see pages 162-217. Flows quoted below at 1750 rpm & 10' (3m) vertical lift (suction head). Pumps are available with neoprene or, where oils may be encountered, nitrile.

51510 Series

- 2.3 GPM (10.5 LPM).
- Self-priming up to 11' (3.5m) vertical lift.
- Sealed bearings for longer life.
- Mechanical seal.



Replaces Johnson model F35B-8 (10-35038)

| | |
|----------------|---|
| FITTING | 3/8" (10mm) BSP internal thread |
| SIZE | 3-5/8" long x 3" wide x 2-3/8" high (9.2cm x 8cm x 6cm) |
| WEIGHT | 2lb (0.9kg) |

| MODEL | DESCRIPTION |
|------------|------------------|
| 51510-2001 | Pump |
| 51510-9001 | Pump, NPT thread |

51520 Series

- 4 GPM (18 LPM).
- Self-priming up to 13' (4.1m) vertical lift.
- Sealed bearings for longer life.
- Mechanical seal.



| | |
|----------------|---|
| FITTING | 3/8" (10mm) BSP internal thread |
| SIZE | 3-3/4" long x 3" wide x 3-1/2" high (9.5cm x 8cm x 8.5cm) |
| WEIGHT | 3lb (1.4kg) |

| MODEL | DESCRIPTION |
|------------|------------------|
| 51520-2001 | Pump |
| 51520-9001 | Pump, NPT thread |

2760 Series

- 3.7 GPM (14 LPM).
- Lip seal.
- Double row ball bearing.
- Self-priming up to 10' (3m) vertical lift.



| | |
|----------------|---|
| FITTING | 1/4" (6mm) NPT |
| SIZE | 3-9/16" long x 1-3/8" wide x 2-7/16" high (9cm x 3.5cm x 6.2cm) |
| WEIGHT | 1.5lb (0.7kg) |

| MODEL | DESCRIPTION |
|-----------|---|
| 2760-0001 | Pump with neoprene impeller, full cam, lip seal |
| 2760-0003 | Pump with nitrile impeller, full cam, lip seal |

2620 Series

- 5.8 GPM (22 LPM).
- Lip seal.
- Two single row ball bearings.
- Self-priming up to 10' (3m) vertical lift.



| | |
|----------------|---|
| FITTING | 3/8" (10mm) NPT |
| SIZE | 3-15/16" long x 1-3/4" wide x 1-7/32" high (10cm x 4.4cm x 3.1cm) |
| WEIGHT | 2.75lb (1.3kg) |

| MODEL | DESCRIPTION |
|-----------|---|
| 2620-1101 | Pump with neoprene impeller, full cam, lip seal |
| 2620-1103 | Pump with nitrile impeller, full cam, lip seal |

5320-0011

- 5.8 GPM (22 LPM).
- Lip seal.
- Two single row ball bearings.
- Self-priming up to 10' (3m) vertical lift.



| | |
|----------------|--|
| FITTING | 3/8" (10mm) NPT |
| SIZE | 5-15/16" long x 3-1/2" wide x 3-5/16" high (15.1cm x 8.9cm x 8.4cm) |
| WEIGHT | 1.5lb (0.7kg) |

| MODEL | DESCRIPTION |
|-----------|---|
| 5320-0011 | Pump with neoprene impeller, full cam, lip seal |

1673 Series

- 11.3 GPM (43 LPM).
- Lip seal.
- Two single row ball bearings.
- Self-priming up to 10' (3m) vertical lift.



| | |
|----------------|---|
| FITTING | 1/2" (13mm) NPT |
| SIZE | 4-7/16" long x 4-1/8" wide x 3-13/16" high (11.3cm x 10.5cm x 9.7cm) |
| WEIGHT | 4.25lb (2kg) |

| MODEL | DESCRIPTION |
|-----------|---|
| 1673-1001 | Pump with neoprene impeller, full cam, lip seal |
| 1673-1003 | Pump with nitrile impeller, full cam, lip seal |

3890-9011

- 11.3 GPM (43 LPM).
- Mechanical face seal.
- Double row ball bearing.
- Self-priming up to 10' (3m) vertical lift.

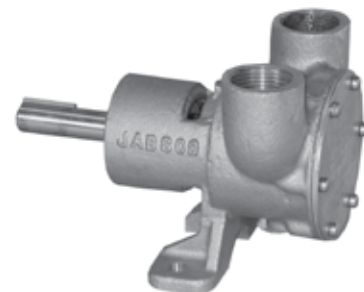


| | |
|----------------|---|
| FITTING | 3/4" (19mm) NPT |
| SIZE | 5-3/16" long x 4" wide x 4" high (13.2cm x 10.2cm x 10.2cm) |
| WEIGHT | 4lb (1.8kg) |

| MODEL | DESCRIPTION |
|-----------|--|
| 3890-9011 | Pump with neoprene impeller, full cam, mechanical seal |

5330 Series

- 26 GPM (98 LPM).
- Mechanical face seal.
- Double row ball bearing.
- Self-priming up to 10' (3m) vertical lift.



| | |
|----------------|--|
| FITTING | 1" (25mm) NPT |
| SIZE | 7" long x 4-3/4" wide x 4" high (17.8cm x 12.1cm x 10.2cm) |
| WEIGHT | 7lb (3.2kg) |

| MODEL | DESCRIPTION |
|-----------|--|
| 5330-9101 | Pump with neoprene impeller, full cam, mechanical seal |
| 5330-9001 | Pump with nitrile impeller, 2/3 cam, mechanical seal |

11 Flexible Impeller Pumps

PULLEY DRIVEN PUMPS



Original Jabsco Flexible Impeller Pumps are available with neoprene impellers for water (45-160°F, 8-70°C) and general purpose pumping and nitrile impellers which are ideal for oil-based products (50-160°F, 10-82°C). Head pressures up to 26 psi or 60' can be accommodated. For reduced flow, choose the half cam version. The choice of a mechanical seal extends pump life. Do not pump gasoline or other flammable liquids. Do not run dry.

For service and spare parts see pages 162-217. Quoted flows at 10' (3m) head and 1750 rpm.

777 Series

- 23 GPM (87 LPM).
- 10' (3m) dry prime, 22' (7m) wet prime.
- Bronze pedestal.



| | |
|----------------|---|
| FITTING | 1" (25mm) NPTF |
| SIZE | 3-9/16" long x 4-3/4" wide x 6-5/16" high (9cm x 12cm x 15.9cm) |
| WEIGHT | 5.8lb (2.6kg) |

VARIANT OPTIONS

| MODEL | IMPELLER | | CAM | | SEAL | |
|----------|----------|---------|------|------|------|------------|
| | NEOPRENE | NITRILE | FULL | HALF | LIP | MECHANICAL |
| 777-0001 | X | | X | | X | |
| 777-0003 | | X | X | | X | |
| 777-9001 | X | | X | | | X |
| 777-9003 | | X | X | | | X |
| 777-9051 | X | | | X | | X |

7420 Series

- 62 GPM (235 LPM).
- Double row ball bearing.
- 7420-1001 has short shaft for Caterpillar engines.
- Self-priming up to 10' (3m) vertical lift.



| | |
|----------------|--|
| FITTING | 1-1/4" (32mm) NPT |
| SIZE | 8-1/16" long x 5-1/8" wide x 5-1/16" high (20.5cm x 13cm x 12.9cm) |
| WEIGHT | 10.5lb (4.8kg) |

VARIANT OPTIONS

| MODEL | IMPELLER | | CAM | | SEAL | |
|-----------|----------|---------|------|------|------|------------|
| | NEOPRENE | NITRILE | FULL | HALF | LIP | MECHANICAL |
| 7420-0004 | X | | X | | | X |
| 7420-1001 | X | | | X | | X |

6400 Series

- 62 GPM (235 LPM).
- Double row ball bearing.
- 6400-1051 has short shaft for Caterpillar engines.
- Self-priming up to 10' (3m) vertical lift.



| | |
|----------------|---|
| FITTING | 1-1/4" (32mm) NPT |
| SIZE | 8-1/16" long x 5-7/8" wide x 4-7/8" high (20.5cm x 14.9cm x 12.4cm) |
| WEIGHT | 10.5lb (4.8kg) |

VARIANT OPTIONS

| MODEL | IMPELLER | | CAM | | SEAL | |
|-----------|----------|---------|------|------|------|------------|
| | NEOPRENE | NITRILE | FULL | HALF | LIP | MECHANICAL |
| 6400-0004 | X | | X | | | X |
| 6400-0051 | X | | | X | | X |
| 6400-1051 | X | | X | | | X |

18370-0000

- 83 GPM (314 LPM).
- Mechanical face seal.
- Neoprene or nitrile impeller.
- Two single row ball bearings.
- Self-priming up to 10' (3m) vertical lift.



| | |
|----------------|--|
| FITTING | 2" (51mm) NPT |
| SIZE | 10-7/8" long x 8" wide x 5-1/16" high (27.6cm x 20.3cm x 12.9cm) |
| WEIGHT | 19lb (8.6kg) |

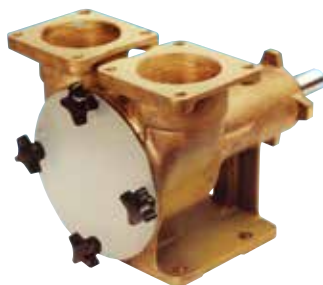
| MODEL | DESCRIPTION |
|------------|--|
| 18370-0000 | Pump with neoprene impeller, full cam, mechanical seal |

Original Jabsco Flexible Impeller Pumps for commercial duty are fitted with proven quality mechanical seals, providing long life under exacting conditions. Bearings are spaced to allow higher speeds, without jeopardizing life, and the open design allows debris to pass through the pump without affecting flow or reliability. All Jabsco pumps are easily maintained using ordinary hand tools.

For service and spare parts see pages 162-217. Quoted flows at 10' (3m) head and 1500 rpm.

29860-2201

- 126 GPM (480 LPM).
- Self-priming up to 18' (5.5m) vertical lift.
- Special design for high flow rates.



| | |
|----------------|---|
| FITTING | 2-1/2" (64mm) BSP internal thread, 2-1/2" (64mm) flange |
| SIZE | 13" long x 9" wide x 9" high (33.2cm x 22.9cm x 22.9cm) |
| WEIGHT | 28lb (12.5kg) |

| MODEL | DESCRIPTION |
|------------|--------------------------|
| 29860-2201 | Pump with vertical ports |

52580-9001

- 17.8 GPM (80 LPM).
- Self-priming up to 15' (4.5m) vertical lift.
- Space sealed for life bearings.
- Mechanical seal



| | |
|----------------|--|
| FITTING | 1" (25mm) BSP |
| SIZE | 6-1/2" long x 5" wide x 4" high (18cm x 12cm x 10cm) |
| WEIGHT | 5lb (2.1kg) |

| MODEL | DESCRIPTION |
|------------|-------------|
| 52580-9001 | Pump |

52270-0011

- 60 GPM (270 LPM).
- Self-priming up to 15' (4.5m) vertical lift.



| | |
|----------------|---|
| FITTING | 2" (51mm) BSP internal thread, 2" (51mm) flange |
| SIZE | 11" long x 6" wide x 7" high (28cm x 17cm x 12.8cm) |
| WEIGHT | 20lb (5kg) |

| MODEL | DESCRIPTION |
|------------|-------------|
| 52270-0011 | Pump |

52220-0011

- 43.3 GPM (195 LPM).
- Self-priming up to 15' (4.5m) vertical lift.



| | |
|----------------|---|
| FITTING | 1-1/2" (38mm) flange |
| SIZE | 10-1/2" long x 5" wide x 4" high (27.6cm x 15.2cm x 14.6cm) |
| WEIGHT | 16lb (7kg) |

| MODEL | DESCRIPTION |
|------------|-------------|
| 52220-0011 | Pump |

11 Flexible Impeller Pumps

PULLEY DRIVEN PUMPS



Flexible impeller pumps are self-priming and, therefore, ideal for engine cooling, washdown, circulation and many general purposes onboard or dockside. The bronze bodies and stainless steel shafts are well suited for marine environments. They can operate in either rotational direction. A variety of models are available with flows from 2.9 GPM (11 LPM) to 83 GPM (314 LPM) and with different port orientations to suit virtually any pumping

requirement. Most models have replaceable cams and wearplates for extended product life.

For service and spare parts see pages 162-217. Quoted flows at 10' (3m) head and 1500 rpm.

52200-2011

- 43.3 GPM (195 LPM).
- Self-priming up to 15' (4.5m) vertical lift.
- Double row angular contact bearing allows short length pump with medium duty rating.



| | |
|----------------|--|
| FITTING | 1-1/2" (38mm) BSP internal thread |
| SIZE | 8" long x 6" wide x 5" high (20.4cm x 15cm x 12cm) |
| WEIGHT | 11lb (5kg) |

| MODEL | DESCRIPTION |
|------------|-------------|
| 52200-2011 | Pump |

9710-200

- 17.8 GPM (80 LPM).
- Self-priming up to 15' (4.5m) vertical lift.
- 360° pump head orientation.
- Mechanical seal.



| | |
|----------------|---|
| FITTING | 1" (25mm) BSP internal thread |
| SIZE | 9" long x 5" wide x 3" high (22.9cm x 12cm x 8cm) |
| WEIGHT | 8lb (3.4kg) |

| MODEL | DESCRIPTION |
|----------|-------------|
| 9710-200 | Pump |

10550-200

- 8.8 GPM (40 LPM).
- Self-priming up to 18' (5.6m) vertical lift.
- 360° pump head orientation.
- Mechanical seal.



| | |
|----------------|---|
| FITTING | 3/4" (19mm) BSP internal thread |
| SIZE | 7" long x 4" wide x 3" high (17cm x 10.6cm x 7.6cm) |
| WEIGHT | 7lb (3kg) |

| MODEL | DESCRIPTION |
|-----------|-------------|
| 10550-200 | Pump |

52040-2001

- 8.8 GPM (40 LPM).
- Self-priming up to 18' (5.6m) vertical lift.
- Double row angular contact bearing allows short length pump.
- Lip seal offers low cost reliability in medium duty environments.



| | |
|----------------|---|
| FITTING | 3/4" (19mm) BSP internal thread |
| SIZE | 5" long x 4" wide x 3" high (12.8cm x 10.6cm x 7.6cm) |
| WEIGHT | 3lb (1.5kg) |

| MODEL | DESCRIPTION |
|------------|-------------|
| 52040-2001 | Pump |

11 Flexible Impeller Pumps

UPGRADE TO JABSCO ENGINE COOLING PUMPS



As originators of the flexible impeller engine cooling pump, Jabsco is known worldwide for quality, reliability and serviceability.

As original equipment suppliers to engine marinizers, we also manufacture aftermarket alternatives to many original pumps. These pumps are designed to be fully serviceable, and after long use can be restored to like new condition, avoiding complete pump replacement.

DESIGNED FOR NORTH AMERICAN ENGINES

Jabsco 50410 Series



Probably the best crank shaft mounted pump available.

- Fits all major V8 engines.
- Lip or mechanical seals available.
- Specially designed impeller for longer life.
- Supercedes 22110 series pumps.

| | |
|----------------|---|
| FITTING | 1-1/4" (32mm) ID hose |
| SIZE | 50410-1201/1301: 5" long x 4-1/2" wide x 4-1/2" high (13cm x 11cm x 11cm) 50410-1251/1351: 5" long x 4-1/2" wide x 4-1/2" high (13cm x 11cm x 11cm) 50410-1401/1501: 4-1/2" long x 4-1/2" wide x 4-1/2" high (11cm x 11cm x 11cm) |
| WEIGHT | 5lb (2.2kg) |

| MODEL | DESCRIPTION |
|------------|---|
| 50410-1201 | 454 C.I. Chevrolet, lip seal |
| 50410-1301 | 454 C.I. Chevrolet, mechanical seal |
| 50410-1251 | 305 & 350 C.I. Chevrolet, lip seal |
| 50410-1351 | 305 & 350 C.I. Chevrolet, mechanical seal |
| 50410-1401 | 8.1L Chevrolet, lip seal |
| 50410-1501 | 8.1L Chevrolet, mechanical seal |

For service and spare parts listing, see pages 212-214.

MerCruiser Type 43210-0001

Marine engine cooling pump replaces MerCruiser model 46-72774-A32.

- Left or right hand rotation.
- One piece bronze body.
- Bronze end plate.
- Replaceable cam and wearplate.



| | |
|----------------|---|
| FITTING | 1-1/4" (32mm) hose barb |
| SIZE | 9-5/32" long x 4-1/2" wide x 4-1/8" high (23.3cm x 11cm x 10.5cm) |
| WEIGHT | 75lb (3.2kg) |
| DRIVE | Pulley |
| MOUNT | MerCruiser clamp type or MerCruiser bracket |

| MODEL | DESCRIPTION |
|------------|--|
| 43210-0001 | MerCruiser pump |
| 43216-1000 | Replacement bronze end cover for MerCruiser produced pumps |

For service and spare parts listing, see pages 208-210.

Crusader Type 42730-0000

Marine engine cooling pump replaces Crusader model number 97179 and Sherwood E-35.

- Fits most pre-1993 Crusader engines.
- Accepts Crusader drive pulley.
- Bolts directly to stock mounting bracket.
- Wearplate and seal can generally be replaced without removing the pump shaft.



| | |
|----------------|--|
| FITTING | 1" (25mm) NPT internal |
| SIZE | 4-15/16" long x 4-7/8" wide x 4-1/4" high (12.5cm x 12.4cm x 10.8cm) |
| WEIGHT | 7lb (3.2kg) |
| DRIVE | Pulley |
| MOUNT | Pedestal |

| MODEL | DESCRIPTION |
|------------|---------------|
| 42730-0000 | Crusader pump |

For service and spare parts listing, see page 208.

DESIGNED FOR NORTH AMERICAN ENGINES

Jabsco Replacements for Sherwood Engine Cooling Pumps

Jabsco Engine Cooling Pumps are constructed with all bronze body, bearing housing and stainless steel shaft to withstand harsh marine environments.

They can directly replace the Sherwood models G-30-2 on current Chris-Craft production engines and G-5 on current Chrysler engines. They may also fit some models of Volvo, Escort, Pleasurecraft and Datsun engines.

Pumps are available in a variety of configurations. They can be supplied with a choice of: 1" (25mm) or 1-1/4" (32mm) ports; mounting tabs on front or rear of bearing housing; and 6-1/2" (16.5cm) "A" belt pulley, pulley mounting adapter, or 3/16" (5mm) key on the shaft.

| JABSCO MODEL | SHERWOOD MODEL | PORT SIZE | ENGINE APPLICATION |
|--------------|----------------|---------------|---|
| 18830-0000 | G-30-2 | 1" (25mm) | Chris-Craft 350 C.I. |
| 18830-1020 | - | 1" (25mm) | Commander Marine 302, 351 C.I. Glastron 302, 351 C.I. 165, 190, 200 & 225 |
| 18840-0010 | G-21 | 1" (25mm) | Pleasurecraft |
| 18840-1010 | - | 1" (25mm) | Nisson LDM 4-cyl. |
| 18930-0000 | G-45-1 | 1-1/4" (32mm) | Chris-Craft |
| 18940-0010 | G-5, G-7-B | 1-1/4" (32mm) | Chrysler LM-318X- LM-340X Lehman 302, 351 C.I. Powerhouse Marine 302, 351 C.I. |

For service and spare parts listing, see page 190.



Mounting tabs near body



With pulley adapter



With pulley



With keyed shaft

Port size
1" 18830-0000
1-1/4" 18930-0000

Port size
1" 18830-0010
1-1/4" 18930-0010

Port size
1" 18830-1020
1-1/4" 18930-0020

17360-1001

Marine engine cooling pump for Caterpillar engine models. D-336 and D-353. With minor plumbing modifications may be adapted to:

- Caterpillar D-343.
- Detroit Diesel V-71 and V-92.
- Some Stewart and Stevenson marinizations of Detroit Diesel engines.



| | |
|----------------|--|
| FITTING | 2-1/2" (64mm) flange port |
| SIZE | 9-1/4" long x 7-7/8" wide x 5-15/16" high (23.5cm x 20cm x 15cm) |
| WEIGHT | 28lb (12.7kg) |
| DRIVE | Gear |
| MOUNT | Engine |

| MODEL | DESCRIPTION |
|------------|-------------|
| 17360-1001 | Pump |

For service and spare parts listing, see page 188.



Mounting tabs near pulley



With pulley

Port size
1" 18840-0010
1-1/4" 18940-0010
1-1/2" 18825-0010

11 Flexible Impeller Pumps

UPGRADE TO JABSCO ENGINE COOLING PUMPS

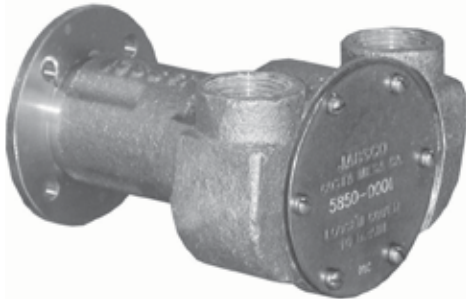


DESIGNED FOR NORTH AMERICAN ENGINES

5850-0001

Marine engine cooling pump for:

- Flagship.
- Palmer Lehman.
- Chris-Craft.



| | |
|----------------|--|
| FITTING | 3/4" (19mm) NPT |
| SIZE | 5-5/16" long x 4-1/4" wide x 3-1/4" high (13.5cm x 10.8cm x 8.3cm) |
| WEIGHT | 6lb (2.7kg) |
| DRIVE | Coupling |
| MOUNT | Engine |

For service and spare parts listing, see page 170.

12600-0001

Marine engine cooling pump for engine models:

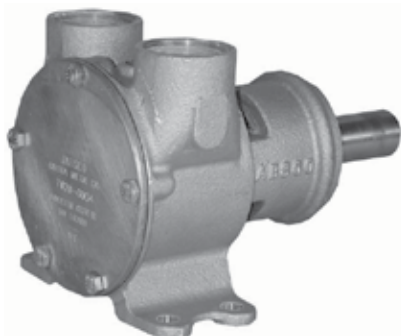
- Cummins V-903.
- Cummins VT-903.



| | |
|----------------|--|
| FITTING | 3" (76mm) hose |
| SIZE | 7" long x 7-3/8" wide x 8-1/2" high (17.8cm x 18.7cm x 21.6cm) |
| WEIGHT | 20lb (9kg) |
| DRIVE | Gear |
| MOUNT | Engine |

For service and spare parts listing, see page 186.

7420-1001



| | |
|----------------|---|
| FITTING | 1-1/4" (32mm) NPT vertical ports |
| SIZE | 7-1/32" long x 5-7/8" wide x 4-7/8" high (17.9cm x 14.9cm x 12.4cm) |
| WEIGHT | 10.5lb (4.8kg) |
| DRIVE | Pulley |
| MOUNT | Pedestal |

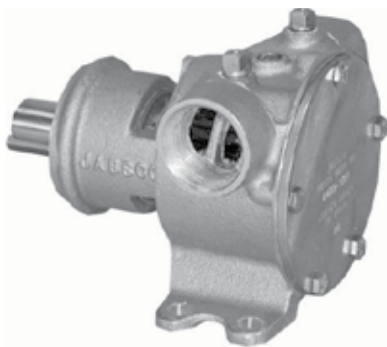
For service and spare parts listing, see page 174.

DESIGNED FOR NORTH AMERICAN ENGINES

6400-1051

Marine engine cooling pump for engine models:

- Caterpillar 3160.
- Caterpillar 3208.



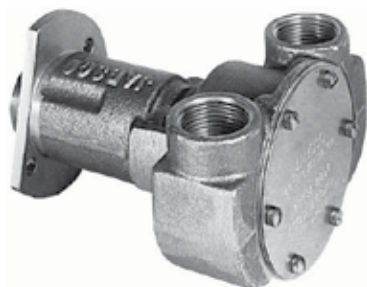
| | |
|----------------|---|
| FITTING | 1-1/4" (32mm) NPT horizontal ports |
| SIZE | 7-1/32" long x 5-7/8" wide x 4-7/8" high (17.9cm x 14.9cm x 12.4cm) |
| WEIGHT | 10.5lb (4.8kg) |
| DRIVE | Pulley |
| MOUNT | Pedestal |

For service and spare parts listing, see page 170.

18400-0050

Marine engine cooling generator pump for:

- Onan MDJF 15KW.



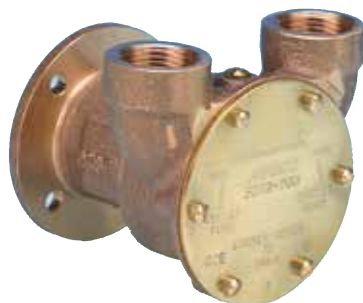
| | |
|----------------|--|
| FITTING | 3/4" (19mm) NPT |
| SIZE | 5-5/16" long x 4-1/4" wide x 3-1/4" high (13.5cm x 10.8cm x 8.3cm) |
| WEIGHT | 6lb (2.7kg) |
| DRIVE | Coupling |
| MOUNT | Engine |

For service and spare parts listing, see page 190.

3270-0001

Marine engine cooling pump for engine models:

- Perkins 4-107.
- Perkins 4-108.



| | |
|----------------|---|
| FITTING | 3/4" (19mm) NPT |
| SIZE | 4-1/4" long x 4-1/8" wide x 3-7/8" high (10.8cm x 10.5cm x 9.8cm) |
| WEIGHT | 4lb (1.8kg) |
| DRIVE | Coupling |
| MOUNT | Engine |

For service and spare parts listing, see page 166.

11 Flexible Impeller Pumps

UPGRADE TO JABSCO ENGINE COOLING PUMPS

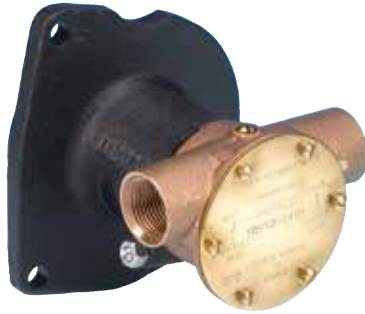


DESIGNED FOR EUROPEAN ENGINES

10950 Series

Marine engine cooling pump for Ford Dover and Dorset 4-cyl. engines. Marinized by:

- C-Power.
- CT Marine.
- Lancing.
- Lehman.
- SAAB.
- Sabre.
- Watermota.



| | |
|----------------|--|
| FITTING | 3/4" (19mm) BSP |
| SIZE | 6-1/2" long x 4-1/2" wide x 5-1/8" high (16.6cm x 11.5cm x 13cm) |
| WEIGHT | 7lb (3kg) |
| DRIVE | Gear |
| MOUNT | Engine |

For service and spare parts listing, see pages 182-184.

21140 Series

Marine engine cooling pump for Ford Dover and Dorset 6-cyl. engines. Marinized by:

- C-Power.
- Hawker Siddeley Marine (Lister Petter).
- Lancing.
- Lehman.
- Mermaid.
- SAAB.
- Sabre.
- Tempest.
- Watermota.



Also available in North America.

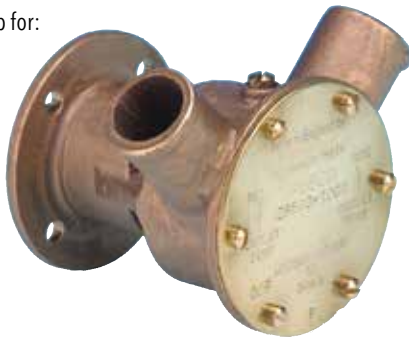
| | |
|----------------|--|
| FITTING | 1" (25mm) BSP |
| SIZE | 7-1/4" long x 4-1/2" wide x 5-1/8" high (18.5cm x 11.5cm x 13cm) |
| WEIGHT | 8lb (3.6kg) |
| DRIVE | Gear |
| MOUNT | Engine |

For service and spare parts listing, see page 192.

29500-1001

Marine engine cooling pump for:

- Aifo Iveco.
- Lancing.
- Perkins.
- Sole.
- VM Motori.



| | |
|----------------|---|
| FITTING | 1-1/8" (28mm) hose |
| SIZE | 4-3/4" long x 4" wide x 4" high (116cm x 10cm x 10cm) |
| WEIGHT | 2.5lb (1.2kg) |
| DRIVE | Coupling |
| MOUNT | Engine |

For service and spare parts listing, see page 204.

9700-01

Marine engine cooling pump for:

- Hamworthy.
- Perkins.
- Leyland-Thornycroft.



| | |
|----------------|---|
| FITTING | 1" (25mm) flanged |
| SIZE | 5-3/4" long x 4-3/4" wide x 3-7/8" high (14.9cm x 12.1cm x 9.9cm) |
| WEIGHT | 6lb (2.8kg) |
| DRIVE | Coupling |
| MOUNT | Engine |

For service and spare parts listing, see page 176.

DESIGNED FOR EUROPEAN ENGINES

9970-200

Marine engine cooling pump for:

- Hawker Siddeley Marine (Lister Petter).
- Hamworthy.
- Perkins.
- Lehman.
- Sisu (Valmet).



Also available in North America.

| | |
|----------------|---|
| FITTING | 3/4" (19mm) BSP |
| SIZE | 5-5/8" long x 4" wide x 3-3/8" high (14.3cm x 10cm x 8.6cm) |
| WEIGHT | 4lb (1.8kg) |
| DRIVE | Coupling |
| MOUNT | Engine |

For service and spare parts listing, see page 176.

10970

Marine engine cooling pump for:

- Perkins 4.236.

Also available in North America.



| | |
|----------------|--|
| FITTING | 3/4" (19mm) NPTF |
| SIZE | 5-5/8" long x 4-3/4" wide x 4-1/2" high (14.3cm x 12cm x 11.5cm) |
| WEIGHT | 7lb (3.26kg) |
| DRIVE | Gear |
| MOUNT | Engine |

For service and spare parts listing, see page 184.

10970-21

Marine engine cooling pump for:

- Perkins 4.236.
- Perkins M90.



| | |
|----------------|--|
| FITTING | 3/4" (19mm) flanged |
| SIZE | 5-7/8" long x 5-5/8" wide x 4-1/2" high (14.9cm x 14.3cm x 11.5cm) |
| WEIGHT | 8lb (3.6kg) |
| DRIVE | Gear |
| MOUNT | Mount |

For service and spare parts listing, see page 184.

11 Flexible Impeller Pumps

COOLING PUMP SPARES BY MAKE OF ENGINE



| JABSCO PUMP DETAILS | | | | | | | SERVICE KIT DETAILS | | | | |
|----------------------------|-------------------------|------|----------------|------------|----------|-----------------------|---------------------|------------------|------------|-------------|------------------|
| MODEL NUMBER | MODEL NUMBER * OEM ONLY | SIZE | PORT SIZE | MOUNT TYPE | OBSOLETE | ALTERNATE PUMP NUMBER | NUMBER | END COVER GASKET | IMPELLER | WATER SEAL | END COVER SCREWS |
| AIFO IVECO – ITALY | | | | | | | | | | | |
| C78 ENT M55.10 | 11100-0541 | 270 | 2" Flanged | Flange | | | SK254 | 816 | 21676-0001 | 21849 | SP1005-04 |
| CO 1DM / 2DM / 3DM | 9700-41 | 080 | 1" Flanged | Flange | • | 9700-01 + CAM 2431 | SK238-21 | 2432 | 17937-0001 | SP6080-06 | SP1003-01 |
| | 29500-1001 | 040 | Ø 28 Hose | Flange | | | SK384-0001 | 3298 | 1210-0001 | SP2700-1027 | SP1002-02 |
| | 29500-1001 | 040 | Ø 28 Hose | Flange | | | SK384-0001 | 3298 | 1210-0001 | SP2700-1027 | SP1002-02 |
| CP 3SM | 9700-21 | 080 | 1" Flanged | Flange | | 29600-1001 | SK238 | 890 | 17937-0001 | SP6080-06 | SP1003-01 |
| | 29600-1001 | 080 | Ø 32 Hose | Flange | | New Pipework | SK385-0101 | 890 | 17937-0001 | SP6080-0469 | SP1003-0111 |
| OMCP 3M | 9700-21 | 080 | 1" Flanged | Flange | | 29600-1001 | SK238 | 890 | 17937-0001 | SP6080-06 | SP1003-01 |
| | 29600-1001 | 080 | Ø 32 Hose | Flange | | New Pipework | SK385-0101 | 890 | 17937-0001 | SP6080-0469 | SP1003-0111 |
| UNO M20 | 22770-1051 | 060 | Ø 25 Hose | Crank | • | 29440-1051 | SK346 | 1985-01 | 673-0001 | SP2701-21 | SP1004-09 |
| UNO M40 | 22770-1051 | 060 | Ø 25 Hose | Crank | • | 29440-1051 | SK346 | 1985-01 | 673-0001 | SP2701-21 | SP1004-09 |
| | 29440-1051 | 020 | Ø 25 Hose | Crank | | | SK402-0001 | 1985-0000 | 18653-0001 | 29441-0000 | SP1004-09 |
| 503 / 504 / 505 / 513 | 9700-61 | 080 | 1" Flanged | Flange | • | | SK238 | 890 | 17937-0001 | SP6080-06 | SP1003-01 |
| 520S / 521 / 521S | 9700-61 | 080 | 1" Flanged | Flange | • | | SK238 | 890 | 17937-0001 | SP6080-06 | SP1003-01 |
| 514 / 600 | 9560 | 010 | 3/8" BSP | Flange | • | | SK23 | 1189 | 4528-0001 | SP2701-14 | SP1002-01 |
| | 29500-1001 | 040 | Ø 28 Hose | Flange | | | SK384-0001 | 3298 | 1210-0001 | SP2700-1027 | SP1002-02 |
| 806 SM | 9700-21 | 080 | 1" Flanged | Flange | | 29600-1001 | SK238 | 890 | 17937-0001 | SP6080-06 | SP1003-01 |
| 8060 M / SDM | 9700-21 | 080 | 1" Flanged | Flange | | 29600-1001 | SK238 | 890 | 17937-0001 | SP6080-06 | SP1003-01 |
| 8061SM / SRM | 9700-21 | 080 | 1" Flanged | Flange | | 29600-1001 | SK238 | 890 | 17937-0001 | SP6080-06 | SP1003-01 |
| | 29600-1001 | 080 | Ø 32 Hose | Flange | | New Pipework | SK385-0101 | 890 | 17937-0001 | SP6080-0469 | SP1003-0111 |
| 8141 M / SRM | 9700-21 | 080 | 1" Flanged | Flange | | 29600-1001 | SK238 | 890 | 17937-0001 | SP6080-06 | SP1003-01 |
| | 29600-1001 | 080 | Ø 32 Hose | Flange | | New Pipework | SK385-0101 | 890 | 17937-0001 | SP6080-0469 | SP1003-0111 |
| 8141SM11 | 29500-1001 | 040 | Ø 28 Hose | Flange | | | SK384-0001 | 3298 | 1210-0001 | SP2700-1027 | SP1002-02 |
| 821 / 8210 / 8220 / 8280 M | 9700-21 | 080 | 1" Flanged | Flange | | 29600-1001 | SK238 | 890 | 17937-0001 | SP6080-06 | SP1003-01 |
| 8210 M | 9700-21 | 080 | 1" Flanged | Flange | | 29600-1001 | SK238 | 890 | 17937-0001 | SP6080-06 | SP1003-01 |
| | 29600-1001 | 080 | Ø 32 Hose | Flange | | New Pipework | SK385-0101 | 890 | 17937-0001 | SP6080-0469 | SP1003-0111 |
| 8280 M / 8281 SRM | 23340-1001 | 120 | Ø 45 Hose | Flange | • | | SK310 | 890 | 17018-0001 | 22617-0010 | SP1003-09 |
| 8281 SRM 44 / 47 / 70 | 11100-0541 | 270 | 2" Flanged | Flange | | | SK254 | 816 | 21676-0001 | 21849 | SP1005-04 |
| 828 MTEA | 10880-2611 | 200 | 1-1/2" Flanged | Flange | • | | SK375-0101 | 816 | 17935-0001 | 21849 | SP1005-04 |

| JABSCO PUMP DETAILS | | | | | | | SERVICE KIT DETAILS | | | | |
|------------------------------|-------------------------|------|----------------|------------|----------|-----------------------|---------------------|------------------|------------|-------------|------------------|
| MODEL NUMBER | MODEL NUMBER * OEM ONLY | SIZE | PORT SIZE | MOUNT TYPE | OBSOLETE | ALTERNATE PUMP NUMBER | NUMBER | END COVER GASKET | IMPELLER | WATER SEAL | END COVER SCREWS |
| | 10880-2561 | 200 | 1-1/2" Flanged | Flange | | | SK375-0101 | 816 | 17935-0001 | 21849 | SP1005-04 |
| 91 SRM / 12L | 29850-0031 | 370 | 2-3/4" Flanged | Flange | • | 29880-0001 | SK410 | X4020-424A | 17420-0001 | 21849 | SP1094-0060 |
| | 29880-0001 | 370 | 2-3/4" Flanged | Flange | | | SK410 | X4020-424A | 17240-0001 | 21849 | X3001-180F |
| 836 MTCA | 9700-21 | 080 | 1" Flanged | Flange | | 29600-1001 | SK238 | 890 | 17937-0001 | SP6080-06 | SP1003-01 |
| 8361 M / SM / SRM | 9700-21 | 080 | 1" Flanged | Flange | | 29600-1001 | SK238 | 890 | 17937-0001 | SP6080-06 | SP1003-01 |
| | 29600-1001 | 080 | Ø 32 Hose | Flange | | New Pipework | SK385-0101 | 890 | 17937-0001 | SP6080-0469 | SP1003-0111 |
| 8460 SRM 45 / 50 | 11100-0541 | 270 | 2" Flanged | Flange | | | SK254 | 816 | 21676-0001 | 21849 | SP1005-04 |
| 402IM17 | 29470-2231C | 020 | 3/8" BSP | Flange | | | SK405-0001 | 29476-0000 | 18653-0001 | SP2701-1006 | X3004-095G |
| 403IM25 | 29470-2531C | 020 | 3/8" BSP | Flange | | | SK405-0001 | 29476-0000 | 18653-0001 | SP2701-1006 | X3004-095G |
| 404IM33 | 29470-2431C | 020 | 3/8" BSP | Flange | | | SK405-0001 | 29476-0000 | 18653-0001 | SP2701-1006 | X3004-095G |
| 414IM48 | 29470-2431C | 020 | 3/8" BSP | Flange | | | SK405-0001 | 29476-0000 | 18653-0001 | SP2701-1006 | X3004-095G |
| M37.10 | 50350-1101 | 120 | Ø 45 Hose | Flange | | | | X4020-269A | 17018-0001 | SP6080-0469 | X3001-176F |
| AMERICAN DIESEL – USA | | | | | | | | | | | |
| Ford (UK) 4-cyl. | 10950-2401 | 040 | 3/4" BSP | Flange | | | SK239 | 3298 | 1210-0001 | 22617-0010 | SP1002-02 |
| Ford (UK) 6-cyl. | 21140-2401 | 080 | 1" BSP | Flange | | | SK229 | 890 | 17937-0001 | 22617-0010 | SP1003-09 |
| BAUDOUIIN – FRANCE | | | | | | | | | | | |
| GD 106 | 23430-1301 | 080 | Ø 32 Hose | Flange | | | SK385-0001 | 890 | 17937-0001 | SP2700-1027 | SP1003-0111 |
| BETA MARINE – UK | | | | | | | | | | | |
| Isuzu - B3KC1 | 29460-1001 | 020 | Ø 20 Hose | Flange | • | | SK401-0001 | 2995-0030 | 18653-0001 | SP2701-1006 | SP1002-01 |
| BD3 | 23430-1251 | 080 | Ø 32 Hose | Flange | • | | SK385-0001 | 890 | 17937-0001 | SP2700-1027 | SP1003-0111 |
| BD4 | 21140-2601 | 080 | 1" BSP | Flange | | | SK229 | 890 | 17937-0001 | 22617-0010 | SP1003-09 |
| BZ482 | 29460-1401 | 020 | Ø 20 Hose | Flange | • | 29460-1631 | SK401-0001 | 2995-0030 | 18653-0001 | SP2701-1006 | SP1002-01 |
| BD662 / 772 | 29460-1401 | 020 | Ø 20 Hose | Flange | • | 29460-1631 | SK401-0001 | 2995-0030 | 18653-0001 | SP2701-1006 | SP1002-01 |
| BD1005 | 29460-1301 | 020 | Ø 20 Hose | Flange | • | 29460-1701 | SK401-0001 | 2995-0030 | 18653-0001 | SP2701-1006 | SP1002-01 |
| BV1205 / 1305 / 1505 | 29460-1301 | 020 | Ø 20 Hose | Flange | • | 29460-1701 | SK401-0001 | 2995-0030 | 18653-0001 | SP2701-1006 | SP1002-01 |
| BV1903 / 2203 | 29500-1501 | 020 | Ø 20 Hose | Flange | | | SK401-0001 | 2995-0030 | 18653-0001 | SP2701-1006 | SP1002-01 |
| BF2803 | 29500-1501 | 020 | Ø 20 Hose | Flange | | | SK401-0001 | 2995-0030 | 18653-0001 | SP2701-1006 | SP1002-01 |
| Kubota-Series BZ / BD / BV | 29460-1401 | 020 | Ø 20 Hose | Flange | • | 29460-1631 | SK401-0001 | 2995-0030 | 18653-0001 | SP2701-1006 | SP1002-01 |

11 Flexible Impeller Pumps

COOLING PUMP SPARES BY MAKE OF ENGINE



| JABSCO PUMP DETAILS | | | | | | | SERVICE KIT DETAILS | | | | |
|-------------------------------------|-------------------------|------|-----------|------------|----------|-----------------------|---------------------|------------------|------------|-------------|------------------|
| MODEL NUMBER | MODEL NUMBER * OEM ONLY | SIZE | PORT SIZE | MOUNT TYPE | OBSOLETE | ALTERNATE PUMP NUMBER | NUMBER | END COVER GASKET | IMPELLER | WATER SEAL | END COVER SCREWS |
| BUKH-KALUNDBORG | | | | | | | | | | | |
| DV 8 ME / SME | 29300-2101C | 010 | 3/8" BSP | Flange | • | | SK404-0001 | 29308-0000 | 22405-0001 | SP2701-1006 | X3004-095G |
| DV 10 L / LME / LSME | 29300-2101C | 010 | 3/8" BSP | Flange | • | | SK404-0001 | 29308-0000 | 22405-0001 | SP2701-1006 | X3004-095G |
| DV 10 M | 11260-2151 | 010 | 3/8" BSP | Flange | • | 29300-2151C | SK266 | 1126 | 4528-0001 | SP2701-04 | SP1002-01 |
| DV 10 ME / SME | 29300-2101C | 010 | 3/8" BSP | Flange | • | | SK404-0001 | 29308-0000 | 22405-0001 | SP2701-1006 | X3004-095G |
| DV 20 M | 11260-2101 | 010 | 3/8" BSP | Flange | • | 29300-2201C | SK266 | 1126 | 4528-0001 | SP2701-04 | SP1002-01 |
| DV 20 M | 29300-2201C | 010 | 3/8" BSP | Flange | • | | SK404-0001 | 29308-0000 | 22405-0001 | SP2701-1006 | X3004-095G |
| DV 20 ME / SME | 29300-2101C | 010 | 3/8" BSP | Flange | • | | SK404-0001 | 29308-0000 | 22405-0001 | SP2701-1006 | X3004-095G |
| DV 24 ME / SME | 29300-2101C | 010 | 3/8" BSP | Flange | • | | SK404-0001 | 29308-0000 | 22405-0001 | SP2701-1006 | X3004-095G |
| DV 36 ME / SME | 29300-2101C | 040 | 3/8" BSP | Flange | • | | SK404-0001 | 29308-0000 | 22405-0001 | SP2701-1006 | X3004-095G |
| 2G/3G 105M | 10-32256-1 | 040 | | | | | | | 1210-0001 | | |
| 4K 105 M | 9710-205 | 080 | 1" BSP | Foot | | | SK229-01 | 2432 | 17937-0001 | 22617-0010 | SP1003-09 |
| 6K 105 M | 9710-204 | 080 | 1" BSP | Foot | • | | SK229 | 890 | 17937-0001 | 22617-0010 | SP1003-09 |
| BUROLI – ITALY | | | | | | | | | | | |
| Escort XLD | 52040-2001 | 040 | 3/4" BSP | Foot | | | SK384-0101 | 3298 | 1210-0001 | SP2701-1015 | X3001-095F |
| Ford 2401E | 10950-201 | 040 | 1/2" BSP | Flange | • | 10950-2401 | SK239 | 3298 | 1210-0001 | 22617-0010 | SP1002-02 |
| Ford 2401E | 10950-2401 | 040 | 3/4" BSP | Flange | | | SK239 | 3298 | 1210-0001 | 22617-0010 | SP1002-02 |
| Ford 2725 / 2726 TM | 21140-2601 | 080 | 1" BSP | Flange | | | SK229 | 890 | 17937-0001 | 22617-0010 | SP1003-09 |
| Ford 2728 TIM | 21140-2601 | 080 | 1" BSP | Flange | | | SK229 | 890 | 17937-0001 | 22617-0010 | SP1003-09 |
| CATERPILLAR MARINE POWER LTD | | | | | | | | | | | |
| 3.323 / 329 | 21090-204 | 040 | 3/4" BSP | Flange | • | | SK230 | 816 | 836-0001 | 21849 | SP1005-04 |
| 3.333 / 333 H | 21090-204 | 040 | 3/4" BSP | Flange | • | | SK230 | 816 | 836-0001 | 21849 | SP1005-04 |
| 4.18 | 6490-223 | 040 | 1/2" BSP | Foot | • | | SK225-01 | 6496 | 1210-0001 | SP2701-21 | SP1003-09 |
| 4.90 | 52040-2001 | 040 | 3/4" BSP | Foot | | | SK384-0101 | 3298 | 1210-0001 | SP2701-1015 | X3001-095F |
| 4.120 | 29500-1001 | 040 | Ø 28 Hose | Flange | | | SK384-0001 | 3298 | 1210-0001 | SP2700-1027 | SP1002-02 |
| 4.220 | 6490-223 | 040 | 1/2" BSP | Foot | • | | SK225-01 | 6496 | 1210-0001 | SP2701-21 | SP1003-09 |
| 4.254 | 10950-2441 | 040 | 3/4" BSP | Flange | • | 10950-2601 | SK239 | 3298 | 1210-0001 | 22617-0010 | SP1002-02 |
| 4.254 | 10950-2601 | 040 | 3/4" BSP | Flange | | | SK239 | 3298 | 1210-0001 | 22617-0010 | SP1002-02 |
| 4.254 | 21140-2401 | 080 | 1" BSP | Flange | | | SK229 | 890 | 17937-0001 | 22617-0010 | SP1003-09 |
| 4.442 | 21090-204 | 040 | 3/4" BSP | Flange | • | | SK230 | 816 | 836-0001 | 21849 | SP1005-04 |

| JABSCO PUMP DETAILS | | | | | | | SERVICE KIT DETAILS | | | | |
|--------------------------|-------------------------|------|----------------|------------|----------|-----------------------|---------------------|------------------|------------|-------------|------------------|
| MODEL NUMBER | MODEL NUMBER * OEM ONLY | SIZE | PORT SIZE | MOUNT TYPE | OBSOLETE | ALTERNATE PUMP NUMBER | NUMBER | END COVER GASKET | IMPELLER | WATER SEAL | END COVER SCREWS |
| 4.444 | 23430-1201 | 080 | Ø 32 Hose | Flange | | | SK385-0001 | 890 | 17937-0001 | SP2700-1027 | SP1003-0111 |
| 6.216 | 21140-2401 | 080 | 1" BSP | Flange | | | SK229 | 890 | 17937-0001 | 22617-0010 | SP1003-09 |
| 6.363 TC / TC 1C | 21140-200 | 080 | 1" BSP | Flange | • | 21140-2401 | SK229 | 890 | 17937-0001 | 22617-0010 | SP1003-09 |
| 6.363 TC / TC 1C | 21140-2401 | 080 | 1" BSP | Flange | | | SK229 | 890 | 17937-0001 | 22617-0010 | SP1003-09 |
| 6.380 | 21140-200 | 080 | 1" BSP | Flange | • | 21140-2401 | SK229 | 890 | 17937-0001 | 22617-0010 | SP1003-09 |
| 6.380 | 21140-2401 | 080 | 1" BSP | Flange | | | SK229 | 890 | 17937-0001 | 22617-0010 | SP1003-09 |
| 6.666 | 23430-1201 | 080 | Ø 32 Hose | Flange | | | SK385-0001 | 890 | 17937-0001 | SP2700-1027 | SP1003-0111 |
| 6.78 LTT I | 29700-1201 | 120 | Ø 45 Hose | Flange | | | SK386-0001 | 890 | 17018-0001 | SP6080-0469 | SP1003-0111 |
| Ford 2500 | 23430-1201 | 080 | Ø 32 Hose | Flange | | | SK385-0001 | 890 | 17937-0001 | SP2700-1027 | SP1003-0111 |
| Ford 2720 | 21140-2401 | 080 | 1" BSP | Flange | | | SK229 | 890 | 17937-0001 | 22617-0010 | SP1003-09 |
| CRM – ITALY | | | | | | | | | | | |
| 9 D / A / S | 10590 | 270 | 2" Flanged | Flange | • | 10590-22 | SK254 | 816 | 21676-0001 | 21849 | SP1005-04 |
| | 10590-22 | 270 | 2" Flanged | Flange | • | 2 Pumps/ Eng. | SK254 | 816 | 21676-0001 | 21849 | SP1005-04 |
| 12 / 18 DS2 | 9700-131 | 080 | 1" Flanged | Flange | | | SK238 | 890 | 17937-0001 | SP6080-06 | SP1003-01 |
| CUMMINS – UK | | | | | | | | | | | |
| NH 250M | 3570 | 200 | 1-3/4" Flanged | Flange | • | | SK375-0101 | 816 | 17935-0001 | 21849 | SP1005-04 |
| NT 855M | 7420-0101 | 200 | 1-1/4" NPT | Foot | | | SK375-0101 | 816 | 17935-0001 | 21849 | SP1005-04 |
| V504M | 11600 | 080 | 1" NPT | Foot | • | | SK299 | 890 | 17937-0001 | 22617-0010 | SP1003-09 |
| V555M SC | 21680-05 | 080 | 1-1/4" NPT | Foot | • | | SK315-0101 | 816 | 17935-0001 | 21849 | SP1005-04 |
| VT555M SC | 21680-05 | 080 | 1-1/4" NPT | Foot | • | | SK315-0101 | 816 | 17935-0001 | 21849 | SP1005-04 |
| VT55M BC | 7420-0004 | 200 | 1-1/4" NPT | Foot | • | 7420-0101 | SK375-0101 | 816 | 17935-0001 | 21849 | SP1005-04 |
| VT55M BC | 7420-0101 | 200 | 1-1/4" NPT | Foot | | | SK375-0101 | 816 | 17935-0001 | 21849 | SP1005-04 |
| VT555M BC | 7420-0101 | 200 | 1-1/4" NPT | Foot | | | SK375-0101 | 816 | 17935-0001 | 21849 | SP1005-04 |
| B-Series | 23430-1401 | 080 | Ø 32 Hose | Flange | | | SK385-0001 | 890 | 17937-0001 | SP2700-1027 | SP1003-0111 |
| | | | | | | Sherwood Pump | | | 18948-0001 | | |
| DAF – NETHERLANDS | | | | | | | | | | | |
| DA 475 / D 575 M | 6420-2001 | 080 | 1" BSP | Foot | • | 52080-2001 | SK385-0201 | 890 | 17937-0001 | SP2700-1027 | SP1003-09 |
| DA 475 / D 575 M | 52080-2001 | 080 | 1" BSP | Foot | | | SK406-0001 | 890 | 17937-0001 | SP2700-48 | X3001-147F |

11 Flexible Impeller Pumps

COOLING PUMP SPARES BY MAKE OF ENGINE



| JABSCO PUMP DETAILS | | | | | | | SERVICE KIT DETAILS | | | | |
|---------------------------------|-------------------------|------|----------------|------------|----------|-----------------------|---------------------|------------------|------------|-------------|------------------|
| MODEL NUMBER | MODEL NUMBER * OEM ONLY | SIZE | PORT SIZE | MOUNT TYPE | OBSOLETE | ALTERNATE PUMP NUMBER | NUMBER | END COVER GASKET | IMPELLER | WATER SEAL | END COVER SCREWS |
| DS 575 M | 9710-200 | 080 | 1" BSP | Foot | | | SK229 | 890 | 17937-0001 | 22617-0010 | SP1003-09 |
| DT 575 MY | 11410-200 | 040 | 3/4" BSP | Foot | • | Bilge | SK328 | 11415 | 1210-0001 | 22617-0010 | SP1003-08 |
| | Dual Pump | 080 | 1" BSP | Foot | | Cooling | SK328 | 890 | 17937-0001 | 22617-0010 | SP1003-11 |
| DT 615 MY | 9710-200 | 080 | 1" BSP | Foot | | | SK229 | 890 | 17937-0001 | 22617-0010 | SP1003-09 |
| D 600 | 11100-0151 | 270 | 2" Flanged | Flange | • | | SK254 | 816 | 21676-0001 | 21849 | SP1005-04 |
| D 620 | 10630-57 | 200 | 1-1/2" Flanged | Flange | • | 52220-0011 | SK230 | 816 | 836-0001 | 21849 | SP1005-04 |
| D 620 | 52220-0051 | 200 | 1-1/2" Flanged | Foot | | | SK407-0011 | 816 | 17935-0001 | SP6080-0374 | X3001-176F |
| DP 680 M | 9710-200 | 080 | 1" BSP | Foot | | | SK229 | 890 | 17937-0001 | 22617-0010 | SP1003-09 |
| DP 680 M | 11410-200 | 040 | 3/4" BSP | Foot | • | Bilge | SK328 | 11415 | 1210-0001 | 22617-0010 | SP1003-08 |
| | Dual Pump | 080 | 1" BSP | Foot | | Cooling | SK328 | 890 | 17937-0001 | 22617-0010 | SP1003-11 |
| DK 1160 MY | 10770-57 | 200 | 1-1/2" Flanged | Flange | | | SK230 | 816 | 836-0001 | 21849 | SP1005-04 |
| DKS 1160 M | 11100-0101 | 270 | 2" Flanged | Flange | • | | SK254 | 816 | 21676-0001 | 21849 | SP1005-04 |
| DKT 1160 | 11100-0141 | 270 | 2" Flanged | Flange | • | | SK254 | 816 | 21676-0001 | 21849 | SP1005-04 |
| DAYTONA – USA | | | | | | | | | | | |
| DME - 4 | 30892-0001 | | | | | | | | | | |
| DME - 6 | 30892-0001 | | | | | | | | | | |
| DME - 7 (to mid-1995) | 17360-1001 | | | | | | 90190-0001 | 17365-1000 | 17365-0001 | 996080-0371 | 91005-0040 |
| DME - 7 (from mid-1995) | 17490-0001 | | | | • | | | | | | |
| DME - 9 (to mid-1995) | 17360-1001 | | | | | | 90190-0001 | 17365-1000 | 17365-0001 | 996080-0371 | 91005-0040 |
| DME - 9 (from mid-1995) | 17490-0001 | | | | • | | | | | | |
| DRINKWAARD – NETHERLANDS | | | | | | | | | | | |
| DAF D-Series | | | | | | | | | | | |
| A 475 / D 575 / F 615 | 6420-2001 | 080 | 1" BSP | Foot | • | 52080-2001 | SK385-0201 | 890 | 17937-0001 | SP2700-1027 | SP1003-09 |
| A 475 / D 575 / F 615 | 52080-2001 | 080 | 1" BSP | Foot | | | SK406-0001 | 890 | 17937-0001 | SP2700-48 | X3001-147F |
| Mercedes | | | | | | | | | | | |
| OM 314 / 352 / 352A | 6420-2001 | 080 | 1" BSP | Foot | • | 52080-2001 | SK385-0201 | 890 | 17937-0001 | SP2700-1027 | SP1003-09 |
| OM 314 / 352 / 352A | 52080-2001 | 080 | 1" BSP | Foot | | | SK406-0001 | 890 | 17937-0001 | SP2700-48 | X3001-147F |
| OM 615 / 621 / 636 | 3270-2301 | 040 | 3/4" BSP | Flange | • | | SK33 | 3298 | 1210-0001 | SP2701-21 | SP1002-02 |
| OM 616 / 617 | 23430-1601 | 080 | Ø 32 Hose | Flange | | | SK385-0001 | 890 | 17937-0001 | SP2700-1027 | SP1003-0111 |
| Mitsubishi | | | | | | | | | | | |
| KE 75 | 3270-2301 | 040 | 3/4" BSP | Flange | • | | SK33 | 3298 | 1210-0001 | SP2701-21 | SP1002-02 |

| JABSCO PUMP DETAILS | | | | | | | SERVICE KIT DETAILS | | | | |
|----------------------------------|-------------------------|------|-----------|------------|----------|-----------------------|---------------------|------------------|------------|-------------|------------------|
| MODEL NUMBER | MODEL NUMBER * OEM ONLY | SIZE | PORT SIZE | MOUNT TYPE | OBSOLETE | ALTERNATE PUMP NUMBER | NUMBER | END COVER GASKET | IMPELLER | WATER SEAL | END COVER SCREWS |
| K 3D / 4C | 3270-2301 | 040 | 3/4" BSP | Flange | • | | SK33 | 3298 | 1210-0001 | SP2701-21 | SP1002-02 |
| K 2AS | 52010-2001 | 010 | 3/8" NPTF | Foot | • | 51510-2001 | SK404-0101 | 29308-0000 | 22405-0001 | SP2701-0501 | X3001-095F |
| DUFFIELD – UK | | | | | | | | | | | |
| MC 42 | 29450-1231 | 020 | Ø 20 Hose | Flange | | | SK387-0001 | 2995-0030 | 673-0001 | SP2700-05 | SP1002-01 |
| 3HD 46 | 29450-1201 | 020 | Ø 20 Hose | Flange | | | SK387-0001 | 2995-0030 | 673-0001 | SP2700-05 | SP1002-01 |
| ENTEC WEST – USA | | | | | | | | | | | |
| K 34 | 29300-2401 | 010 | 3/8" BSP | Flange | • | | SK404-0001 | 29308-0000 | 22405-0001 | SP2701-1006 | X3004-095G |
| FARYMANN DIESEL – GERMANY | | | | | | | | | | | |
| A 30M / H | 11620-211 | 010 | 1/4" BSP | Flange | • | | SK23 | 1189 | 4528-0001 | SP2701-11 | SP1002-01 |
| A 30 | | | | | | Johnson Pump | | | 22405-0001 | | |
| A 40M / H | 11620-211 | 010 | 1/4" BSP | Flange | • | | SK23 | 1189 | 4528-0001 | SP2701-11 | SP1002-01 |
| AL 35 | | | | | | Johnson Pump | | | 22405-0001 | | |
| AL 40 | | | | | | Johnson Pump | | | 22405-0001 | | |
| CS | 6540-201 | 020 | 3/8" BSP | Foot | • | | SK205-01 | 2995-0030 | 673-0001 | B22 | SP8019-01 |
| CS | 2620-211 | 020 | 3/8" BSP | Foot | • | 2620-200 | SK20 | 2995-0030 | 673-0001 | SP2700-05 | SP1002-02 |
| CS | 2620-200 | 020 | 3/8" BSP | Foot | • | | SK20 | 2995-0030 | 673-0001 | SP2700-05 | SP1002-02 |
| DS / ES / GS | 9360 | 010 | 1/4" BSP | Foot | • | | SK223 | 1126 | 4528-0001 | AL22 | SP8019-01 |
| FK2 | 29300-2001 | 010 | 3/8" BSP | Flange | • | | SK404-0001 | 29308-0000 | 22405-0001 | SP2701-1006 | X3004-095G |
| FK3 | 29470-2031 | 020 | 3/8" BSP | Flange | • | | SK405-0001 | 29476-0000 | 18653-0001 | SP2701-1006 | X3004-095G |
| K 30 M | 9360 | 010 | 1/4" BSP | Foot | • | | SK223 | 1126 | 4528-0001 | AL22 | SP8019-01 |
| K 30 M | 11260-211 | 010 | 1/4" BSP | Flange | • | | SK266 | 1126 | 4528-0001 | SP2701-04 | SP1002-01 |
| K 30 | | | | | | Johnson Pump | | | 22405-0001 | | |
| K 34 | 29300-2401 | 010 | 3/8" BSP | Flange | • | | SK404-0001 | 29308-0000 | 22405-0001 | SP2701-1006 | X3004-095G |
| | 52010-2001 | 010 | 3/8" NPTF | Foot | • | 51510-2001 | SK404-0101 | 29308-0000 | 22405-0001 | SP2701-0501 | X3001-095F |
| | 52020-2031 | 020 | 1/2" BSP | Foot | | | SK405-0101 | 2995-0030 | 18653-0001 | SP2701-0501 | X3001-095F |
| L 30 | | | | | | Johnson Pump | | | 22405-0001 | | |
| P 30M / H | 6540-211 | 020 | 3/8" BSP | Foot | • | | SK205-01 | 2995-0030 | 673-0001 | B22 | SP8019-01 |
| Q 30M / H | | | | | | | | | 673-0001 | | |

11 Flexible Impeller Pumps

COOLING PUMP SPARES BY MAKE OF ENGINE



| JABSCO PUMP DETAILS | | | | | | | SERVICE KIT DETAILS | | | | |
|-----------------------|-------------------------|------|-----------|------------|----------|-----------------------|---------------------|------------------|------------|-------------|------------------|
| MODEL NUMBER | MODEL NUMBER * OEM ONLY | SIZE | PORT SIZE | MOUNT TYPE | OBSOLETE | ALTERNATE PUMP NUMBER | NUMBER | END COVER GASKET | IMPELLER | WATER SEAL | END COVER SCREWS |
| R 30M / H | 2620-211 | 020 | 3/8" BSP | Foot | • | 2620-200 | SK20 | 2995-0030 | 673-0001 | SP2700-05 | SP1002-02 |
| S 30M / H | 2620-211 | 020 | 3/8" BSP | Foot | • | 2620-200 | SK20 | 2995-0030 | 673-0001 | SP2700-05 | SP1002-02 |
| S 30M / H | 2620-200 | 020 | 3/8" BSP | Foot | • | | SK20 | 2995-0030 | 673-0001 | SP2700-05 | SP1002-02 |
| FLAGSHIP – USA | | | | | | | | | | | |
| GM 454 | 23800-0201 | 060 | Ø 32 Hose | Crank | | | SK331-0251 | 3298 | 22120-0001 | SP2701-21 | SP8019-01 |
| FNM – ITALY | | | | | | | | | | | |
| AM 20 / 45 / ATM 60 | 22770 | 020 | Ø 25 Hose | Crank | • | 29440-1001 | SK346 | 1985-01 | 673-0001 | SP2701-21 | SP1004-09 |
| AM 20 / 45 / ATM 60 | 29440-1001 | 020 | Ø 25 Hose | Crank | | | SK402-0001 | 1985-0000 | 18653-0001 | 29441-0000 | SP1004-09 |
| 1.3ATI | 52040-2001 | 040 | 3/4" BSP | Foot | | | SK384-0101 | 3298 | 1210-0001 | SP2701-1015 | X3001-095F |
| FORD – UK | | | | | | | | | | | |
| XLD 416 Escort | 22770-1101 | 020 | Ø 25 Hose | Crank | • | 29440-1101 | SK346 | 1985-01 | 673-0001 | SP2701-21 | SP1004-09 |
| XLD 416 Escort | 29440-1001 | 020 | Ø 25 Hose | Crank | | | SK402-0001 | 1985-0000 | 18653-0001 | 29441-0000 | SP1004-09 |
| FSD 425 | 52040-2001 | 040 | 3/4" BSP | Foot | | | SK384-0101 | 3298 | 1210-0001 | SP2701-1015 | X3001-095F |
| FSD 425A Transit | 3270-1951 | 040 | 3/4" BSP | Flange | • | | SK33 | 3298 | 1210-0001 | SP2701-21 | SP1002-02 |
| FSD 425B | 29500-1201 | 040 | Ø 28 Hose | Flange | | | SK384-0001 | 3298 | 1210-0001 | SP2700-1027 | SP1002-02 |
| BSD 333 / 444 / 666 | 23430-1201 | 080 | Ø 32 Hose | Flange | | | SK385-0001 | 890 | 17937-0001 | SP2700-1027 | SP1003-0111 |
| 2400 YORK | 21690 | 040 | Ø 20 Hose | Flange | • | | SK239 | 3298 | 1210-0001 | 22617-0010 | SP1002-02 |
| 2401E | 21690 | 040 | Ø 20 Hose | Flange | • | | SK239 | 3298 | 1210-0001 | 22617-0010 | SP1002-02 |
| 2700 Turbo | 21140-201 | 080 | 1" BSP | Flange | • | 21140-2401 | SK229 | 890 | 17937-0001 | 22617-0010 | SP1003-09 |
| 2704 ET | 21140-201 | 080 | 1" BSP | Flange | • | 21140-2401 | SK229 | 890 | 17937-0001 | 22617-0010 | SP1003-09 |
| 2704 ET | 21140-2401 | 080 | 1" BSP | Flange | | | SK229 | 890 | 17937-0001 | 22617-0010 | SP1003-09 |
| 2701 E | 10950-205 | 040 | 3/4" BSP | Flange | • | 10950-2401 | SK239 | 3298 | 1210-0001 | 22617-0010 | SP1002-02 |
| 2704 E | 10950-205 | 040 | 3/4" BSP | Flange | • | 10950-2401 | SK239 | 3298 | 1210-0001 | 22617-0010 | SP1002-02 |
| 2704 E | 10950-2401 | 040 | 3/4" BSP | Flange | | | SK239 | 3298 | 1210-0001 | 22617-0010 | SP1002-02 |
| 2704 ET / A | 10950-201 | 040 | 1/2" BSP | Flange | • | 10950-2401 | SK239 | 3298 | 1210-0001 | 22617-0010 | SP1002-02 |
| 2704 ET / A | 10950-2401 | 040 | 3/4" BSP | Flange | | | SK239 | 3298 | 1210-0001 | 22617-0010 | SP1002-02 |
| 2711 E | 10950-205 | 040 | 3/4" BSP | Flange | • | 10950-2401 | SK239 | 3298 | 1210-0001 | 22617-0010 | SP1002-02 |
| 2712 E | 10950-205 | 040 | 3/4" BSP | Flange | • | 10950-2401 | SK239 | 3298 | 1210-0001 | 22617-0010 | SP1002-02 |
| 2713 E | 10950-201 | 040 | 1/2" BSP | Flange | • | 10950-2401 | SK239 | 3298 | 1210-0001 | 22617-0010 | SP1002-02 |
| 2714 E | 10950-201 | 040 | 1/2" BSP | Flange | • | 10950-2401 | SK239 | 3298 | 1210-0001 | 22617-0010 | SP1002-02 |

| JABSCO PUMP DETAILS | | | | | | | SERVICE KIT DETAILS | | | | |
|-----------------------------------|-------------------------|------|----------------|------------|----------|-----------------------|---------------------|------------------|------------|-------------|------------------|
| MODEL NUMBER | MODEL NUMBER * OEM ONLY | SIZE | PORT SIZE | MOUNT TYPE | OBSOLETE | ALTERNATE PUMP NUMBER | NUMBER | END COVER GASKET | IMPELLER | WATER SEAL | END COVER SCREWS |
| 2714 E | 10950-2401 | 040 | 3/4" BSP | Flange | | | SK239 | 3298 | 1210-0001 | 22617-0010 | SP1002-02 |
| 2722 | 10950-2601 | 040 | 3/4" BSP | Flange | | | SK239 | 3298 | 1210-0001 | 22617-0010 | SP1002-02 |
| 2723 / 25 / 26T | 21140-2601 | 080 | 1" BSP | Flange | | | SK229 | 890 | 17937-0001 | 22617-0010 | SP1003-09 |
| GENESIS 4-cyl. | 29520-2001 | 040 | 3/4" BSP | Flange | | | SK239 | 3298 | 1210-0001 | 22617-0010 | SP1002-02 |
| GENESIS 6-cyl. | 29620-2001 | 080 | 1" BSP | Flange | | | SK229 | 890 | 17937-0001 | 22617-0010 | SP1003-09 |
| G & M POWER PLANT – UK | | | | | | | | | | | |
| 4 MDP | 29450-1201 | 020 | Ø 20 Hose | Flange | | | SK387-0001 | 2995-0030 | 673-0001 | SP2700-05 | SP1002-01 |
| BLMC 4 / 98 | 3270-241 | 040 | 3/4" BSP | Flange | • | | SK271 | 3298 | 1210-0001 | SP2701-21 | SP1002-02 |
| GARDNER – UK | | | | | | | | | | | |
| 4 LW (Oil Cooler) | 9710-200 | 080 | 1" BSP | Foot | | | SK229 | 890 | 17937-0001 | 22617-0010 | SP1003-09 |
| Tropical Service Only | | | | | | | | | | | |
| 4 LW | 6400-205 | 200 | 1-1/4" BSP | Foot | • | 52200-2051 | SK230 | 816 | 836-0001 | 21849 | SP1005-04 |
| 4 LW | 52200-2051 | 200 | 1-1/2" BSP | Foot | | | SK407-0011 | 816 | 17935-0001 | 21849 | X3001-176F |
| 6 LXB | 29600-1001 | 080 | Ø 32 Hose | Flange | | New Pipework | SK385-0101 | 890 | 17937-0001 | SP6080-0469 | SP1003-0111 |
| HAMWORTHY | | | | | | | | | | | |
| 2SF3, 3-4, 3-6 | 3370-200 | 040 | 3/4" BSP | Flange | • | 9970-200 | SK33 | 3298 | 1210-0001 | SP2701-21 | SP1002-02 |
| 2SF3, 3-4, 3-6 | 9970-200 | 040 | 3/4" BSP | Flange | | | SK229 | 3298 | 1210-0001 | 22617-0010 | SP1002-02 |
| 2TF5 | 4800-111 | 200 | 1-1/2" Flanged | Flange | • | 11790 | SK230 | 816 | 836-0001 | 21849 | SP1005-04 |
| 2TF5 Mk II and III | 11790 | 200 | 1-1/2" Flanged | Flange | • | | SK230 | 816 | 836-0001 | 21849 | SP1005-04 |
| 2TM6 Mk II and III | 11790-01 | 200 | 1-1/2" Flanged | Flange | • | | SK230 | 816 | 836-0001 | 21849 | SP1005-04 |
| 2MF6 | 10590-61 | 270 | 2" Flanged | Flange | • | 10590-62 | SK254 | 816 | 21676-0001 | 21849 | SP1005-04 |
| 2MF62 | 10590-61 | 270 | 2" Flanged | Flange | • | 10590-62 | SK254 | 816 | 21676-0001 | 21849 | SP1005-04 |
| 2MF64 | 10590-61 | 270 | 2" Flanged | Flange | • | 10590-62 | SK254 | 816 | 21676-0001 | 21849 | SP1005-04 |
| 2MF64 | 10590-62 | 270 | 2" Flanged | Flange | | | SK254 | 816 | 21676-0001 | 21849 | SP1005-04 |
| 2SF4, 42 | 9700-01 | 080 | 1" Flanged | Flange | | | SK238 | 890 | 17937-0001 | SP6080-06 | SP1003-01 |
| HARDIN MARINE – USA | | | | | | | | | | | |
| GM V8 | 23800-0251 | 060 | Ø 32 Hose | Crank | • | 23800-0201 | SK331-0251 | 3298 | 22120-0001 | SP2701-21 | SP8019-01 |
| GM V8 | 23800-0201 | 060 | Ø 32 Hose | Crank | | | SK331-0251 | 3298 | 22120-0001 | SP2701-21 | SP8019-01 |

11 Flexible Impeller Pumps

COOLING PUMP SPARES BY MAKE OF ENGINE



| JABSCO PUMP DETAILS | | | | | | | SERVICE KIT DETAILS | | | | |
|------------------------------------|-------------------------|------|----------------|------------|----------|-----------------------|---------------------|------------------|------------|-------------|------------------|
| MODEL NUMBER | MODEL NUMBER * OEM ONLY | SIZE | PORT SIZE | MOUNT TYPE | OBSOLETE | ALTERNATE PUMP NUMBER | NUMBER | END COVER GASKET | IMPELLER | WATER SEAL | END COVER SCREWS |
| HAWKER SIDDELEY MARINE – UK | | | | | | | | | | | |
| AB 1W | 9040-0511 | 005 | 1/2" Hose | Flange | | now -1021 | SK92-11 | 7828-01 | 14609-0001 | SP3000-10 | SP1002-09 |
| AC 1W | 6640-205 | 010 | 3/8" BSP | Foot | • | 52010-2001 | SK23 | 1189 | 4528-0001 | SP2701-11 | SP1002-01 |
| AC 2W | 6640-205 | 010 | 3/8" BSP | Foot | • | 52010-2001 | SK23 | 1189 | 4528-0001 | SP2701-11 | SP1002-01 |
| AC 2W | 52010-2001 | 010 | 3/8" NPTF | Foot | • | 51510-2001 | SK404-0101 | 29308-0000 | 22405-0001 | SP2701-0501 | X3001-095F |
| PJ W | 10420 | 020 | Ø 16 Hose | Flange | • | 29490-2001C | SK211 | 10817 | 673-0001 | SP2701-04 | SP1002-09 |
| PJ 3 | 10420 | 020 | Ø 16 Hose | Flange | • | 29490-2001C | SK211 | 10817 | 673-0001 | SP2701-04 | SP1002-09 |
| PJ 4 | 10420 | 020 | Ø 16 Hose | Flange | • | 29490-2001C | SK211 | 10817 | 673-0001 | SP2701-04 | SP1002-09 |
| PJ 4 | 29490-2001C | 020 | 3/8" BSP | Flange | • | | SK405-0001 | 29476-0000 | 18653-0001 | SP2701-1006 | X3004-095G |
| PM 1W / 2W | 5870 | 020 | 1/2" BSP | Flange | • | | SK243 | 5878 | 1210-0001 | SP2701-09 | SP1002-09 |
| PJ 1W / 2W | 5870 | 020 | 1/2" BSP | Flange | • | | SK243 | 5878 | 1210-0001 | SP2701-09 | SP1002-09 |
| AV / HP-Series | 5870 | 020 | 1/2" BSP | Flange | • | | SK243 | 5878 | 1210-0001 | SP2701-09 | SP1002-09 |
| FR 1 / 2 / 3 MGR | 3380-200 | 040 | 3/4" BSP | Flange | • | 9970-200 | SK33 | 3298 | 1210-0001 | SP2701-21 | SP1002-02 |
| FR 4 / 6 MGR | 3370-200 | 040 | 3/4" BSP | Flange | • | 9970-200 | SK33 | 3298 | 1210-0001 | SP2701-21 | SP1002-02 |
| FR 4 / 6 MGR | 9970-200 | 040 | 3/4" BSP | Flange | | | SK229 | 3298 | 1210-0001 | 22617-0010 | SP1002-02 |
| HA / HR / HRW 4 / 6 | 3370-251 | 040 | 3/4" BSP | Flange | • | 9970-261 | SK33 | 3298 | 1210-0001 | SP2701-21 | SP1002-02 |
| (Direct Cooling) | 9970-261 | 040 | 3/4" BSP | Flange | | | SK239 | 3298 | 1210-0001 | 22617-0010 | SP1002-02 |
| HA / HW-Series | 9970-271 | 040 | 3/4" BSP | Flange | • | 9970-200 | SK239 | 3298 | 1210-0001 | 22617-0010 | SP1002-02 |
| (Manifold) | 3380-221 | 040 | 1/2" BSP | Flange | • | 9970-200 | SK33 | 3298 | 1210-0001 | SP2701-21 | SP1002-02 |
| HA / HR / HRW 2 | 3370-200 | 040 | 3/4" BSP | Flange | • | 9970-200 | SK33 | 3298 | 1210-0001 | SP2701-21 | SP1002-02 |
| (2- and 3-cylinder Heat Exchanger) | 9970-200 | 040 | 3/4" BSP | Flange | | | SK229 | 3298 | 1210-0001 | 22617-0010 | SP1002-02 |
| JA4 / JW4 / JA6 / JW6 | 10880-07 | 200 | 1-1/2" Flanged | Flange | • | | SK230 | 816 | 836-0001 | 21849 | SP1005-04 |
| JP and JK-Series | 6420-205 | 080 | 1" BSP | Foot | • | 52080-2051 | SK236 | 890 | 17937-0001 | SP2701-21 | SP1003-09 |
| | 52080-2051 | 080 | 1" BSP | Foot | | | SK406-0001 | 890 | 17937-0001 | SP2700-48 | X3001-147F |
| SL and SR-Series | AL 1/4"-200 | 010 | 1/4" BSP | Foot | | | SK1 | 1126 | 4528-0001 | AL22 | SP1002-01 |
| SL4 | 6640-200 | 010 | 1/4" BSP | Foot | • | 52010-2001 | SK23 | 1189 | 4528-0001 | SP2701-11 | SP1002-01 |
| (Manifold) | 52010-2001 | 010 | 3/8" NPTF | Foot | • | 51510-2001 | SK404-0101 | 29308-0000 | 22405-0001 | SP2701-0501 | X3001-095F |
| TS3 | 6420-2051 | 080 | 1" BSP | Foot | • | 52080-2051 | SK385-0201 | 2432 | 17937-0001 | SP2700-1027 | SP1003-09 |
| TS3 | 52080-2051 | 080 | 1" BSP | Foot | | | SK406-0001 | 890 | 17937-0001 | SP2700-48 | X3001-147F |

| JABSCO PUMP DETAILS | | | | | | | SERVICE KIT DETAILS | | | | |
|---------------------------------|-------------------------|------|----------------|------------|----------|-----------------------|---------------------|------------------|------------|-------------|------------------|
| MODEL NUMBER | MODEL NUMBER * OEM ONLY | SIZE | PORT SIZE | MOUNT TYPE | OBSOLETE | ALTERNATE PUMP NUMBER | NUMBER | END COVER GASKET | IMPELLER | WATER SEAL | END COVER SCREWS |
| STW2 MGR | 11620-211 | 010 | 1/4" BSP | Flange | • | | SK23 | 1189 | 4528-0001 | SP2701-11 | SP1002-01 |
| STW3 MGR | 6520-2003 | 080 | 1" BSP | Foot | • | 51080-2003 | SK385-0403 | 890 | 17937-0003 | SP2700-1027 | SP1003-09 |
| STW3 MGR | 51080-2003 | 080 | 1" BSP | Foot | • | | SK406-0003 | 890 | 17937-0003 | SP2700-1027 | X3001-147F |
| HRW4 | 9970-271 | 040 | 3/4" BSP | Flange | • | 9970-200 | SK239 | 3298 | 1210-0001 | 22617-0010 | SP1002-02 |
| HRW4 | 9970-200 | 040 | 3/4" BSP | Flange | | | SK229 | 3298 | 1210-0001 | 22617-0010 | SP1002-02 |
| HSM D3, 152M | 29500-1101 | 040 | Ø 28 Hose | Flange | • | | SK384-0001 | 3298 | 1210-0001 | SP2700-1027 | SP1002-02 |
| Piranha 4-cyl. | 6490-132 | 040 | 1/2" BSP | Foot | • | | SK225-01 | 6496 | 1210-0001 | SP2701-21 | SP1003-09 |
| ALPHA Series | | | | | | | | | | | |
| LPW2 | 29480-2151 | 020 | 3/8" BSP | Flange | • | | SK405-0001 | 29476-0000 | 18653-0001 | SP2701-1006 | X3004-095G |
| LPW3 | 29480-2131 | 020 | 3/8" BSP | Flange | • | | SK405-0001 | 29476-0000 | 18653-0001 | SP2701-1006 | X3004-095G |
| LPW4 | 29500-1451 | 040 | Ø 28 Hose | Flange | • | | SK384-0001 | 3298 | 1210-0001 | SP2700-1027 | SP1002-02 |
| CRK3 | 23430-1201 | 080 | Ø 32 Hose | Flange | | | SK385-0001 | 890 | 17937-0001 | SP2700-1027 | SP1003-0111 |
| Ford Dover | | | | | | | | | | | |
| CS4 | 21140-2601 | 080 | 1" BSP | Flange | | | SK229 | 890 | 17937-0001 | 22617-0010 | SP1003-09 |
| CS6 | 21140-2601 | 080 | 1" BSP | Flange | | | SK229 | 890 | 17937-0001 | 22617-0010 | SP1003-09 |
| CST6 | 21140-2601 | 080 | 1" BSP | Flange | | | SK229 | 890 | 17937-0001 | 22617-0010 | SP1003-09 |
| CST16 | 21140-2601 | 080 | 1" BSP | Flange | | | SK229 | 890 | 17937-0001 | 22617-0010 | SP1003-09 |
| HFL – UK | | | | | | | | | | | |
| 1500 VW | 22620 | 020 | Ø 25 Hose | Crank | • | 29440-1101 | SK346 | 1985-01 | 673-0001 | SP6080-08B | SP1004-09 |
| 1501 VW | 29440-1101 | 020 | Ø 25 Hose | Crank | | | SK402-0001 | 1985-0000 | 18653-0001 | 29441-0000 | SP1004-09 |
| PETTER | 52010-2001 | 010 | 3/8" NPTF | Foot | • | 51510-2001 | SK404-0101 | 29308-0000 | 22405-0001 | SP2701-0501 | X3001-095F |
| INDMAR – USA | | | | | | | | | | | |
| Ford / GM 8-cyl. | 23800-0251 | 060 | Ø 32 Hose | Crank | • | 23800-0201 | SK331-0251 | 3298 | 22120-0001 | SP2701-21 | SP8019-01 |
| | 23800-0201 | 060 | Ø 32 Hose | Crank | | | SK331-0251 | 3298 | 22120-0001 | SP2701-21 | SP8019-01 |
| ISOTTA FRASCHINI – ITALY | | | | | | | | | | | |
| D 30.55-6L | 10950-201 | 040 | 1/2" BSP | Flange | • | 10950-2401 | SK239 | 3298 | 1210-0001 | 22617-0010 | SP1002-02 |
| D 30.55-6L | 10950-2401 | 040 | 3/4" BSP | Flange | | | SK239 | 3298 | 1210-0001 | 22617-0010 | SP1002-02 |
| ID 32 | 10630-07 | 200 | 1-1/2" Flanged | Foot | • | 52220-0011 | SK230 | 816 | 836-0001 | 21849 | SP1005-04 |
| ID 32 | 52220-0011 | 200 | 1-1/2" Flanged | Foot | | | SK407-0011 | 816 | 17935-0001 | | X3001-176F |

11 Flexible Impeller Pumps

COOLING PUMP SPARES BY MAKE OF ENGINE



| JABSCO PUMP DETAILS | | | | | | | SERVICE KIT DETAILS | | | | |
|---------------------|-------------------------|------|------------|------------|----------|-----------------------|---------------------|------------------|------------|------------|------------------|
| MODEL NUMBER | MODEL NUMBER * OEM ONLY | SIZE | PORT SIZE | MOUNT TYPE | OBSOLETE | ALTERNATE PUMP NUMBER | NUMBER | END COVER GASKET | IMPELLER | WATER SEAL | END COVER SCREWS |
| ID 36 / 38 | 11150-0011 | 200 | 2" Flanged | Foot | • | | SK254 | 816 | 21676-0001 | 21849 | SP1005-04 |
| H 130 | 11150-0011 | 200 | 2" Flanged | Foot | • | | SK254 | 816 | 21676-0001 | 21849 | SP1005-04 |
| L 1306 T2 | 10590-0201 | 270 | 2" Flanged | Flange | • | | SK254 | 816 | 21676-0001 | 21849 | SP1005-04 |
| V 1308 T2 | 10490-07 | 270 | 2" Flanged | Foot | • | 50270-0911 | SK254 | 816 | 21676-0001 | 21849 | SP1005-04 |
| V 1308 T2 | 50270-0911 | 270 | 2" Flanged | Foot | • | | SK408-0011 | 816 | 17936-0001 | 21849 | SP1095-0640 |

KELVIN – UK

DB Series

| | | | | | | | | | | | |
|--|------------|-----|----------------|--------|---|--------------|------------|-----|------------|-------------|------------|
| | 6400-207 | 200 | 1-1/4" BSP | Foot | • | 52200-2001 | SK230 | 816 | 836-0001 | SP6080-0374 | SP1005-04 |
| | 52200-2001 | 200 | 1-1/2" BSP | Foot | • | 52200-2011 | SK407-0011 | 816 | 17935-0001 | SP6080-0374 | X3001-176F |
| | 52200-2011 | 200 | 1-1/2" BSP | Foot | | | SK407-0011 | 816 | 17935-0001 | SP6080-0374 | X3001-176F |
| | 4800-51 | 200 | 1-1/2" Flanged | Flange | • | | SK230 | 816 | 836-0001 | 21849 | SP1005-04 |
| | 6590-237 | 200 | 1-1/4" BSP | Foot | • | 51200-2003 | SK230-37 | 816 | 836-0003 | SP6080-0374 | SP1005-04 |
| | 51200-2003 | 200 | 1-1/2" BSP | Foot | • | Bilge Option | SK407-0003 | 816 | 836-0003 | SP6080-0374 | X3001-176F |
| | 6520-2003 | 080 | 1" BSP | Foot | • | 51080-2003 | SK385-0403 | 890 | 17937-0003 | SP2700-1027 | SP1003-09 |
| | 51080-2003 | 080 | 1" BSP | Foot | • | | SK406-0003 | 890 | 17937-0003 | SP2700-1027 | X3001-147F |

KTT

| | | | | | | | | | | | |
|-----------------|-----------|-----|----------|--------|---|--|-------|------|-----------|-----------|-----------|
| KUBOTA KTT 2000 | 3270-2401 | 040 | 3/4" BSP | Flange | • | | SK271 | 3298 | 1210-0001 | SP2701-21 | SP1002-02 |
| KUBOTA KTT 3000 | 3270-2401 | 040 | 3/4" BSP | Flange | • | | SK271 | 3298 | 1210-0001 | SP2701-21 | SP1002-02 |

KUBOTA

| | | | | | | | | | | | |
|----------|------------|-----|-----------|--------|---|------------|------------|-----------|------------|-------------|-----------|
| BZ482 | 29460-1401 | 020 | Ø 20 Hose | Flange | • | 29460-1631 | SK401-0001 | 2995-0030 | 18653-0001 | SP2701-1006 | SP1002-01 |
| BD722 | 29460-1401 | 020 | Ø 20 Hose | Flange | • | 29460-1631 | SK401-0001 | 2995-0030 | 18653-0001 | SP2701-1006 | SP1002-01 |
| BD1005 | 29460-1401 | 020 | Ø 20 Hose | Flange | • | 29460-1631 | SK401-0001 | 2995-0030 | 18653-0001 | SP2701-1006 | SP1002-01 |
| BV1305 | 29460-1401 | 020 | Ø 20 Hose | Flange | • | 29460-1631 | SK401-0001 | 2995-0030 | 18653-0001 | SP2701-1006 | SP1002-01 |
| BV1505 | 29460-1401 | 020 | Ø 20 Hose | Flange | • | 29460-1631 | SK401-0001 | 2995-0030 | 18653-0001 | SP2701-1006 | SP1002-01 |
| BV1903 | 29460-1401 | 020 | Ø 20 Hose | Flange | • | 29460-1631 | SK401-0001 | 2995-0030 | 18653-0001 | SP2701-1006 | SP1002-01 |
| BV2203 | 29460-1401 | 020 | Ø 20 Hose | Flange | • | 29460-1631 | SK401-0001 | 2995-0030 | 18653-0001 | SP2701-1006 | SP1002-01 |
| BF2803 | 29460-1401 | 020 | Ø 20 Hose | Flange | • | 29460-1631 | SK401-0001 | 2995-0030 | 18653-0001 | SP2701-1006 | SP1002-01 |
| KTT 2000 | 3270-2401 | 040 | 3/4" BSP | Flange | • | | SK271 | 3298 | 1210-0001 | SP2701-21 | SP1002-02 |
| KTT 3000 | 3270-2401 | 040 | 3/4" BSP | Flange | • | | SK271 | 3298 | 1210-0001 | SP2701-21 | SP1002-02 |

| JABSCO PUMP DETAILS | | | | | | | SERVICE KIT DETAILS | | | | |
|----------------------------|-------------------------|------|-----------|------------|----------|-----------------------|---------------------|------------------|------------|-------------|------------------|
| MODEL NUMBER | MODEL NUMBER * OEM ONLY | SIZE | PORT SIZE | MOUNT TYPE | OBSOLETE | ALTERNATE PUMP NUMBER | NUMBER | END COVER GASKET | IMPELLER | WATER SEAL | END COVER SCREWS |
| LANCING MARINE – UK | | | | | | | | | | | |
| BMC 1.5+1.8 | 22960-2001 | 010 | Ø 19 Hose | Foot | • | | SK355 | 21646 | 4528-0001 | SP2701-14 | SP1002-09 |
| BMC 2.2+2.5 | 3270-241 | 040 | 3/4" BSP | Flange | • | | SK271 | 3298 | 1210-0001 | SP2701-21 | SP1002-02 |
| BMC 3.4+3.8 (4/98) 5.1 | 29500-1001 | 040 | Ø 28 Hose | Flange | | | SK384-0001 | 3298 | 1210-0001 | SP2700-1027 | SP1002-02 |
| BMC 5.7 + 6/98 | 22770 | 020 | Ø 25 Hose | Crank | • | 29440-1001 | SK346 | 1985-01 | 673-0001 | SP2701-21 | SP1004-09 |
| BMC 5.7 + 6/98 | 29440-1001 | 020 | Ø 25 Hose | Crank | | | SK402-0001 | 1985-0000 | 18653-0001 | 29441-0000 | SP1004-09 |
| Chev V8 | 22740-0151 | 060 | Ø 32 Hose | Crank | • | | SK331-05 | 3298 | 22120-0001 | SP2701-21 | SP8019-01 |
| Ford | | | | | | | | | | | |
| 2700 / 2710 / 2720 | 10950-201 | 040 | 1/2" BSP | Flange | • | 10950-2401 | SK239 | 3298 | 1210-0001 | 22626-6000 | SP1002-02 |
| 2700 / 2710 / 2720 | 10950-2401 | 040 | 3/4" BSP | Flange | | | SK239 | 3298 | 1210-0001 | 22626-6000 | SP1002-02 |
| Turbo 4 PC / 6 / Int. | 21140-201 | 080 | 1" BSP | Flange | • | 21140-2401 | SK229 | 890 | 17937-0001 | 22626-6000 | SP1003-09 |
| Turbo 4 PC / 6 / Int. | 21140-2401 | 080 | 1" BSP | Flange | | | SK229 | 890 | 17937-0001 | 22626-6000 | SP1003-09 |
| 1.1 / 1.6 / 2.0 / OHC / V4 | 22960-2001 | 010 | Ø 19 Hose | Foot | • | | SK355 | 21646 | 4528-0001 | SP2701-14 | SP1002-09 |
| V6 2.3 / 2.8 / 2.5 / 3.0 | 22770 | 020 | Ø 25 Hose | Crank | • | 29440-1001 | SK346 | 1985-01 | 673-0001 | SP2701-21 | SP1004-09 |
| V6 2.3 / 2.8 / 2.5 / 3.0 | 29440-1001 | 020 | Ø 25 Hose | Crank | | | SK402-0001 | 1985-0000 | 18653-0001 | 29441-0000 | SP1004-09 |
| 590E / 592E | 21820-2001 | 040 | 3/4" BSP | Foot | • | 52040-2001 | SK33 | 3298 | 1210-0001 | SP2701-21 | SP1002-02 |
| (4-cylinder) | 52040-2001 | 040 | 3/4" BSP | Foot | | | SK384-0101 | 3298 | 1210-0001 | SP2701-1015 | X3001-095F |
| Ford Genesis | | | | | | | | | | | |
| 4-cyl. | 29520-2001 | 040 | 3/4" BSP | Flange | | | SK239 | 3298 | 1210-0001 | 22626-6000 | SP1002-02 |
| 6-cyl. | 29620-2001 | 080 | 1" BSP | Flange | | | SK229 | 890 | 17937-0001 | 22626-6000 | SP1003-09 |
| Gardner | | | | | | | | | | | |
| 6LX + 6LXB + 8LXB | 6420-2001 | 080 | 1" BSP | Foot | • | 52080-2001 | SK385-0201 | 890 | 17937-0001 | SP2700-1027 | SP1003-09 |
| 6LX + 6LXB + 8LXB | 52080-2001 | 080 | 1" BSP | Foot | | | SK406-0001 | 890 | 17937-0001 | SP2700-48 | X3001-147F |
| GM / Bedford | | | | | | | | | | | |
| 220 + 330 | 22770 | 020 | Ø 25 Hose | Crank | • | 29440-1001 | SK346 | 1985-01 | 673-0001 | SP2701-21 | SP1004-09 |
| 220 + 330 | 29440-1001 | 020 | Ø 25 Hose | Crank | | | SK402-0001 | 1985-0000 | 18653-0001 | 29441-0000 | SP1004-09 |
| 381 + 466 + 500 | 22740-0151 | 060 | Ø 32 Hose | Crank | • | | SK331-05 | 3298 | 22120-0001 | SP2701-21 | SP8019-01 |
| Jaguar | | | | | | | | | | | |
| 2.4 + 4.2 | 29500-1001 | 040 | Ø 28 Hose | Flange | | | SK384-0001 | 3298 | 1210-0001 | SP2700-1027 | SP1002-02 |

11 Flexible Impeller Pumps

COOLING PUMP SPARES BY MAKE OF ENGINE



| JABSCO PUMP DETAILS | | | | | | | SERVICE KIT DETAILS | | | | |
|------------------------------|-------------------------|------|----------------|------------|----------|-----------------------|---------------------|------------------|------------|-------------|------------------|
| MODEL NUMBER | MODEL NUMBER * OEM ONLY | SIZE | PORT SIZE | MOUNT TYPE | OBSOLETE | ALTERNATE PUMP NUMBER | NUMBER | END COVER GASKET | IMPELLER | WATER SEAL | END COVER SCREWS |
| Leyland | | | | | | | | | | | |
| 400 + 401 + 402 | 23080-1151 | 060 | Ø 32 Hose | Flange | • | | SK363-0051 | 3298 | 22120-0001 | 22626-6000 | SP1002-01 |
| Mercedes | | | | | | | | | | | |
| 180 + 190 + 200 + 220 | 22960-2001 | 010 | Ø 19 Hose | Foot | • | | SK355 | 21646 | 4528-0001 | SP2701-14 | SP1002-09 |
| OM314 + 321 + 352 | 22770 | 020 | Ø 25 Hose | Crank | • | 29440-1001 | SK346 | 1985-01 | 673-0001 | SP2701-21 | SP1004-09 |
| OM314 + 321 + 352 | 29440-1001 | 020 | Ø 25 Hose | Crank | | | SK402-0001 | 1985-0000 | 18653-0001 | 29441-0000 | SP1004-09 |
| Perkins | | | | | | | | | | | |
| 3.152 | 22960-2001 | 010 | Ø 19 Hose | Foot | • | | SK355 | 21646 | 4528-0001 | SP2701-14 | SP1002-09 |
| 4.203 | 29500-1001 | 040 | Ø 28 Hose | Flange | | | SK384-0001 | 3298 | 1210-0001 | SP2700-1027 | SP1002-02 |
| 4.236 | 10970 | 040 | 3/4" BSP | Flange | | | SK268-01 | 3298 | 1210-0001 | 22626-6000 | SP1002-02 |
| 4.248 | 22770 | 020 | Ø 25 Hose | Crank | • | 29440-1001 | SK346 | 1985-01 | 673-0001 | SP2701-21 | SP1004-09 |
| 4.248 | 29440-1001 | 020 | Ø 25 Hose | Crank | | | SK402-0001 | 1985-0000 | 18653-0001 | 29441-0000 | SP1004-09 |
| 6.354 | 21820-2001 | 040 | 3/4" BSP | Foot | • | 52040-2001 | SK33 | 3298 | 1210-0001 | SP2701-21 | SP1002-02 |
| 6.354 | 52040-2001 | 040 | 3/4" BSP | Foot | | | SK384-0101 | 3298 | 1210-0001 | SP2701-1015 | X3001-095F |
| T6 354 | 6420-2001 | 080 | 1" BSP | Foot | • | 52080-2001 | SK385-0201 | 890 | 17937-0001 | SP2700-1027 | SP1003-09 |
| T6 354 | 52080-2001 | 080 | 1" BSP | Foot | | | SK406-0001 | 890 | 17937-0001 | SP2700-48 | X3001-147F |
| 510 V8 | 11120-200 | 080 | 1" BSP | Flange | • | | SK229 | 890 | 17937-0001 | 22626-6000 | SP1003-09 |
| 4.99 + 4.107 + 4.108 | 22960-2001 | 010 | Ø 19 Hose | Foot | • | | SK355 | 21646 | 4528-0001 | SP2701-14 | SP1002-09 |
| Peugeot | | | | | | | | | | | |
| XD2 1.9 & 2.5 | 22770 | 020 | Ø 25 Hose | Crank | • | 29440-1001 | SK346 | 1985-01 | 673-0001 | SP2701-21 | SP1004-09 |
| XD2 1.9 & 2.5 | 29440-1001 | 020 | Ø 25 Hose | Crank | | | SK402-0001 | 1985-0000 | 18653-0001 | 29441-0000 | SP1004-09 |
| Volvo | | | | | | | | | | | |
| TD70 + TD70E | 11120-200 | 080 | 1" BSP | Flange | • | | SK229 | 890 | 17937-0001 | 22626-6000 | SP1003-09 |
| VW Golf | | | | | | | | | | | |
| 1500 + 1600 | 22960-2001 | 010 | Ø 19 Hose | Foot | • | | SK355 | 21646 | 4528-0001 | SP2701-14 | SP1002-09 |
| LEHMAN POWER LTD – UK | | | | | | | | | | | |
| 4D220 | 6420-0101 | 080 | 1" NPT | Foot | • | 52220-0011 | SK236 | 890 | 17937-0001 | SP2701-21 | SP1003-09 |
| 4D220 | 52220-0011 | 200 | 1-1/2" Flanged | Foot | | | SK407-0011 | 816 | 17935-0001 | SP6080-0374 | X3001-176F |
| 6D380 | 5850-0001 | 040 | 3/4" NPT | Flange | | | SK33 | 3298 | 1210-0001 | SP2701-21 | SP1002-02 |
| Mercraft 24 / 57 | 21690-200 | 040 | 3/4" BSP | Flange | • | | SK239 | 3298 | 1210-0001 | 22626-6000 | SP1002-02 |
| Mercraft 24 / 87 | 21690-200 | 040 | 3/4" BSP | Flange | • | | SK239 | 3298 | 1210-0001 | 22626-6000 | SP1002-02 |

| JABSCO PUMP DETAILS | | | | | | | SERVICE KIT DETAILS | | | | |
|-------------------------|-------------------------|------|-----------|------------|----------|-----------------------|---------------------|------------------|------------|-------------|------------------|
| MODEL NUMBER | MODEL NUMBER * OEM ONLY | SIZE | PORT SIZE | MOUNT TYPE | OBSOLETE | ALTERNATE PUMP NUMBER | NUMBER | END COVER GASKET | IMPELLER | WATER SEAL | END COVER SCREWS |
| Mercraft 80 | 10950-204 | 040 | 3/4" BSP | Flange | • | 10950-2401 | SK239 | 3298 | 1210-0001 | 22626-6000 | SP1002-02 |
| Mercraft 120 | 10950-204 | 040 | 3/4" BSP | Flange | • | 10950-2401 | SK239 | 3298 | 1210-0001 | 22626-6000 | SP1002-02 |
| Mercraft 120 | 10950-2401 | 040 | 3/4" BSP | Flange | | | SK239 | 3298 | 1210-0001 | 22626-6000 | SP1002-02 |
| Mercraft 150 Turbo | 3370-200 | 040 | 3/4" BSP | Flange | • | 9970-200 | SK33 | 3298 | 1210-0001 | SP2701-21 | SP1002-02 |
| Mercraft 150 Turbo | 9970-200 | 040 | 3/4" BSP | Flange | | | SK229 | 3298 | 1210-0001 | 22626-6000 | SP1002-02 |
| Mercraft 180 Turbo | 21140-200 | 080 | 1" BSP | Flange | • | 21140-2401 | SK229 | 890 | 17937-0001 | 22626-6000 | SP1003-09 |
| Mercraft 180 Turbo | 21140-2401 | 080 | 1" BSP | Flange | | | SK229 | 890 | 17937-0001 | 22626-6000 | SP1003-09 |
| Mercraft 210 Turbo | 21580-200 | 080 | 1" BSP | Flange | • | | SK229 | 890 | 17937-0001 | 22626-6000 | SP1003-09 |
| Mercraft 250 Turbo | 21580-200 | 080 | 1" BSP | Flange | • | | SK229 | 890 | 17937-0001 | 22626-6000 | SP1003-09 |
| Mercraft 150 Turbo Inc. | 10950-204 | 040 | 3/4" BSP | Flange | • | 10950-2401 | SK239 | 3298 | 1210-0001 | 22626-6000 | SP1002-02 |
| Mercraft 150 Turbo Inc. | 21140-2401 | 080 | 1" BSP | Flange | | | SK229 | 890 | 17937-0001 | 22626-6000 | SP1003-09 |
| Mercraft 180 Turbo Inc. | 21140-204 | 080 | 1" BSP | Flange | • | 21140-2401 | SK229 | 890 | 17937-0001 | 22626-6000 | SP1003-09 |
| Mercraft 180 Turbo Inc. | 21140-2401 | 080 | 1" BSP | Flange | | | SK229 | 890 | 17937-0001 | 22626-6000 | SP1003-09 |
| Ford Dover | 10950-2601 | 040 | 3/4" BSP | Flange | | | SK239 | 3298 | 1210-0001 | 22626-6000 | SP1002-02 |
| Ford Dover | 21140-2601 | 080 | 1" BSP | Flange | | | SK229 | 890 | 17937-0001 | 22626-6000 | SP1003-09 |
| Super 355 | 29700-1201 | 120 | Ø 45 Hose | Flange | | | SK386-0001 | 890 | 17018-0001 | SP6080-0469 | SP1003-0111 |

LEYLAND THORNYCROFT – UK

| | | | | | | | | | | | |
|-----------------------------|-------------|-----|------------|--------|---|-------------|------------|--------|------------|-------------|-------------|
| RF LD-220 | 4900-201 | 040 | 1/2" BSP | Foot | • | | SK234 | 4908 | 4568-0001 | 3791 | SP1003-09 |
| RF 6-330 | JD 3/4"-201 | 040 | 3/4" BSP | Foot | • | JD 3/4"-200 | SK220 | 706-01 | 4598-0001 | 3791 | SP1003-02 |
| RF 6-330 | JD 3/4"-200 | 040 | 3/4" BSP | Foot | | | SK220 | 706-01 | 4598-0001 | C20 | SP1003-02 |
| 90 / 90E / 90 / 2 / 108 / 2 | 4900-200 | 040 | 1/2" BSP | Foot | • | | SK234 | 4908 | 4568-0001 | 3791 | SP1003-09 |
| 90 / 90E / 90 / 2 / 108 / 2 | 52040-2401 | 040 | 3/4" BSP | Foot | | | SK384-0101 | 3298 | 1210-0001 | SP2701-1015 | X3001-095F |
| 138 / 152 / 154 / 160 | 3270-271 | 040 | 3/4" BSP | Flange | • | | SK271 | 3298 | 1210-0001 | SP2701-21 | SP1002-02 |
| 230 | 9700-151 | 080 | 1" Flanged | Flange | • | | SK238-01 | 3101 | 17937-0001 | SP6080-06 | SP1003-01 |
| 238 / T 238 | 23430-1301 | 080 | Ø 32 Hose | Flange | | | SK385-0001 | 890 | 17937-0001 | SP2700-1027 | SP1003-0111 |
| 240 / 250 / 251 | 10950-204 | 040 | 3/4" BSP | Flange | • | 10950-2401 | SK239 | 3298 | 1210-0001 | 22626-6000 | SP1002-02 |
| 240 / 250 / 251 | 10950-2401 | 040 | 3/4" BSP | Flange | | | SK239 | 3298 | 1210-0001 | 22626-6000 | SP1002-02 |

11 Flexible Impeller Pumps

COOLING PUMP SPARES BY MAKE OF ENGINE



| JABSCO PUMP DETAILS | | | | | | | SERVICE KIT DETAILS | | | | |
|--------------------------|-------------------------|------|----------------|------------|----------|-----------------------|---------------------|------------------|------------|-------------|------------------|
| MODEL NUMBER | MODEL NUMBER * OEM ONLY | SIZE | PORT SIZE | MOUNT TYPE | OBSOLETE | ALTERNATE PUMP NUMBER | NUMBER | END COVER GASKET | IMPELLER | WATER SEAL | END COVER SCREWS |
| 331 | 10950-200 | 040 | 3/4" BSP | Flange | • | 10950-2401 | SK239 | 3298 | 1210-0001 | 22626-6000 | SP1002-02 |
| 331 | 10950-2401 | 040 | 3/4" BSP | Flange | | | SK239 | 3298 | 1210-0001 | 22626-6000 | SP1002-02 |
| 345 | 9700-171 | 080 | 1" Flanged | Flange | • | | SK238 | 890 | 17937-0001 | SP6080-06 | SP1003-01 |
| 358 / T358 / TA358 | 23430-1301 | 080 | Ø 32 Hose | Flange | | | SK385-0001 | 890 | 17937-0001 | SP2700-1027 | SP1003-0111 |
| 360 | 10950-200 | 040 | 3/4" BSP | Flange | • | 10950-2401 | SK239 | 3298 | 1210-0001 | 22626-6000 | SP1002-02 |
| 360 | 10950-2401 | 040 | 3/4" BSP | Flange | | | SK239 | 3298 | 1210-0001 | 22626-6000 | SP1002-02 |
| 360.1 / T360.1 / 380 / 1 | 21140-204 | 080 | 1" BSP | Flange | • | 21140-2401 | SK229 | 890 | 17937-0001 | 22626-6000 | SP1003-09 |
| 360.1 / T360.1 / 380 / 1 | 10950-2401 | 040 | 3/4" BSP | Flange | | | SK239 | 3298 | 1210-0001 | 22626-6000 | SP1002-02 |
| 400 / T400 / 500 | 9700-01 | 080 | 1" Flanged | Flange | | | SK238 | 890 | 17937-0001 | SP6080-06 | SP1003-01 |
| T500 | 4800-51 | 200 | 1-1/2" Flanged | Flange | • | | SK230 | 816 | 836-0001 | 21849 | SP1005-04 |
| 590 / 690 / 691 / 760 | 6400-205 | 200 | 1-1/4" BSP | Foot | • | 52200-2051 | SK230 | 816 | 836-0001 | SP6080-0374 | SP1005-04 |
| 590 / 690 / 691 / 760 | 52200-2051 | 200 | 1-1/2" BSP | Foot | | | SK407-0011 | 816 | 17935-0001 | SP6080-0374 | X3001-176F |
| 760 / AVT 1100 | 6400-207 | 200 | 1-1/4" BSP | Foot | • | 52200-2001 | SK230 | 816 | 836-0001 | SP6080-0374 | SP1005-04 |
| 760 / AVT 1100 | 52200-2001 | 200 | 1-1/2" BSP | Foot | • | 52200-2011 | SK407-0011 | 816 | 17935-0001 | SP6080-0374 | X3001-176F |
| 760 / AVT 1100 | 52200-2011 | 200 | 1-1/2" BSP | Foot | | | SK407-0011 | 816 | 17935-0001 | SP6080-0374 | X3001-176F |

LISTER, R.A. – See HAWKER SIDDELEY MARINE

| | | | | | | | | | | | |
|--|--|--|--|--|--|--|--|--|--|--|--|
| | | | | | | | | | | | |
|--|--|--|--|--|--|--|--|--|--|--|--|

LOMBARDINI – ITALY

| | | | | | | | | | | | |
|---------------------|------------|-----|----------|--------|---|------------|------------|------------|------------|-------------|------------|
| 672 / 673 / 674 | 11620-200 | 010 | 1/4" BSP | Flange | • | 22830-2101 | SK23 | 1189 | 4528-0001 | SP2701-11 | SP1002-01 |
| 832 / 833 / 834 | 11620-200 | 010 | 1/4" BSP | Flange | • | 22830-2101 | SK23 | 1189 | 4528-0001 | SP2701-11 | SP1002-01 |
| 832 / 833 / 834 | 22830-2101 | 010 | 3/8" BSP | Flange | • | | SK23 | 1189 | 4528-0001 | SP2701-14 | SP1002-01 |
| LDW 602M / LDW 903M | 29470-2231 | 020 | 3/8" BSP | Flange | • | | SK405-0001 | 29476-0000 | 18653-0001 | SP2701-1006 | X3004-095G |
| LDW 1204M | 29470-2531 | 020 | 3/8" BSP | Flange | • | | SK405-0001 | 29476-0000 | 18653-0001 | SP2701-1006 | X3004-095G |
| LDW 1503 | 29470-2431 | 020 | 3/8" BSP | Flange | • | | SK405-0001 | 29476-0000 | 18653-0001 | SP2701-1006 | X3004-095G |
| LDW 2004M / T | 29470-2431 | 020 | 3/8" BSP | Flange | • | | SK405-0001 | 29476-0000 | 18653-0001 | SP2701-1006 | X3004-095G |

MAN – GERMANY

| | | | | | | | | | | | |
|----------|------------|-----|-----------|-------|---|-----------|----------|------|------------|------------|-----------|
| D0224ME | 23020-1101 | 060 | Ø 32 Hose | Crank | | | SK331-05 | 3298 | 22120-0001 | SP6080-08B | SP8019-01 |
| D0226ME | 23020-1101 | 060 | Ø 32 Hose | Crank | | | SK331-05 | 3298 | 22120-0001 | SP6080-08B | SP8019-01 |
| D0226MLE | 23060-1101 | 060 | Ø 32 Hose | Crank | • | Dual Pump | SK360 | 3298 | 22120-0001 | SP6080-08B | SP1002-03 |
| D0226MTE | 23060-1101 | 060 | Ø 32 Hose | Crank | • | Dual Pump | SK360 | 3298 | 22120-0001 | SP6080-08B | SP1002-03 |

| JABSCO PUMP DETAILS | | | | | | | SERVICE KIT DETAILS | | | | |
|----------------------------|-------------------------|------|------------|------------|----------|-----------------------|---------------------|------------------|------------|-------------|------------------|
| MODEL NUMBER | MODEL NUMBER * OEM ONLY | SIZE | PORT SIZE | MOUNT TYPE | OBSOLETE | ALTERNATE PUMP NUMBER | NUMBER | END COVER GASKET | IMPELLER | WATER SEAL | END COVER SCREWS |
| D0826GLE40 / ML | 29600-1201 | 080 | Ø 32 Hose | Flange | | | SK385-0101 | 890 | 17937-0001 | SP6080-0469 | SP1003-0111 |
| D2530M / MT | 22040-0501 | 270 | 2" Flanged | Flange | | | SK318 | 816 | 21676-0001 | 21849 | SP1005-04 |
| D2540L / ML / MT | 22040-0501 | 270 | 2" Flanged | Flange | | | SK318 | 816 | 21676-0001 | 21849 | SP1005-04 |
| D2542L / ME / MLE / MTE | 23010-0531 | 080 | 1" BSP | Flange | • | Bilge | SK357-0001 | 11746 | 17937-0001 | 21849 | SP1005-03 |
| | Dual Pump | 270 | 2" Flange | Flange | | Cooling | SK357-0001 | 816 | 21676-0001 | 21849 | SP1005-03 |
| W4V 14 / 18 | 5400-205 | 200 | 1-1/4" BSP | Foot | • | 52200-2051 | | | | | |
| W6V 14 / 18 | 5400-205 | 200 | 1-1/4" BSP | Foot | • | 52200-2051 | | | | | |
| W3V 17.5 / 22A | 5400-205 | 200 | 1-1/4" BSP | Foot | • | 52200-2051 | | | | | |
| W3V 17.5 / 22A | 52200-2051 | 200 | 1-1/2" BSP | Foot | | | SK407-0011 | 816 | 17935-0001 | SP6080-0374 | X3001-176F |
| W4V 17.5 / 22A | 7870-251 | 200 | 1-1/4" BSP | Foot | • | | SK230 | 816 | 836-0001 | 21849 | SP1005-04 |
| W5V 17.5 / 22A | 7870-251 | 200 | 1-1/4" BSP | Foot | • | | SK230 | 816 | 836-0001 | 21849 | SP1005-04 |
| W6V 17.5 / 22A | 7870-251 | 200 | 1-1/4" BSP | Foot | • | | SK230 | 816 | 836-0001 | 21849 | SP1005-04 |
| W8V 17.5 / 22A | 7870-251 | 200 | 1-1/4" BSP | Foot | • | | SK230 | 816 | 836-0001 | 21849 | SP1005-04 |
| MERMAID MARINE – UK | | | | | | | | | | | |
| 105 / 130 | 21140-204 | 080 | 1" BSP | Flange | • | 21140-2401 | SK229 | 890 | 17937-0001 | 22626-6000 | SP1003-09 |
| 397 / 595 / ET / .INT | 21140-204 | 080 | 1" BSP | Flange | • | 21140-2401 | SK229 | 890 | 17937-0001 | 22626-6000 | SP1003-09 |
| 397 / 595 / ET / .INT | 21140-2401 | 080 | 1" BSP | Flange | | | SK229 | 890 | 17937-0001 | 22626-6000 | SP1003-09 |
| 595TP | 21580-200 | 080 | 1" BSP | Flange | • | | SK229 | 890 | 17937-0001 | 22626-6000 | SP1003-09 |
| Ford 2704 ET | 21580-200 | 080 | 1" BSP | Flange | • | | SK229 | 890 | 17937-0001 | 22626-6000 | SP1003-09 |
| Flat Four / Six | 21140-204 | 080 | 1" BSP | Flange | • | 21140-2401 | SK229 | 890 | 17937-0001 | 22626-6000 | SP1003-09 |
| Turbo Four | 21140-204 | 080 | 1" BSP | Flange | • | 21140-2401 | SK229 | 890 | 17937-0001 | 22626-6000 | SP1003-09 |
| Turbo Four | 21140-2401 | 080 | 1" BSP | Flange | | | SK229 | 890 | 17937-0001 | 22626-6000 | SP1003-09 |
| Turbo Plus | 21140-2641 | 080 | 1" BSP | Flange | • | | SK229 | 890 | 17937-0001 | 22626-6000 | SP1003-09 |
| Mariner 2715E | 21140-2441 | 080 | 1" BSP | Flange | • | | SK229 | 890 | 17937-0001 | 22626-6000 | SP1003-09 |
| Mariner 2720E | 21140-2641 | 080 | 1" BSP | Flange | • | | SK229 | 890 | 17937-0001 | 22626-6000 | SP1003-09 |
| Magnum | 29700-1201 | 120 | Ø 45 Hose | Flange | | | SK386-0001 | 890 | 17018-0001 | SP6080-0469 | SP1003-0111 |
| Majestic | 21140-2641 | 080 | 1" BSP | Flange | • | | SK229 | 890 | 17937-0001 | 22626-6000 | SP1003-09 |

11 Flexible Impeller Pumps

COOLING PUMP SPARES BY MAKE OF ENGINE



| JABSCO PUMP DETAILS | | | | | | | SERVICE KIT DETAILS | | | | |
|---------------------|-------------------------|------|-----------|------------|----------|-----------------------|---------------------|------------------|------------|-------------|------------------|
| MODEL NUMBER | MODEL NUMBER * OEM ONLY | SIZE | PORT SIZE | MOUNT TYPE | OBSOLETE | ALTERNATE PUMP NUMBER | NUMBER | END COVER GASKET | IMPELLER | WATER SEAL | END COVER SCREWS |
| Manta | 23430-1201 | 080 | Ø 32 Hose | Flange | | | SK385-0001 | 890 | 17937-0001 | SP2700-1027 | SP1003-0111 |
| Meermin | 52040-2001 | 040 | 3/4" BSP | Foot | | | SK384-0101 | 3298 | 1210-0001 | SP2701-1015 | X3001-095F |
| Melody | 21140-2641 | 080 | 1" BSP | Flange | • | | SK229 | 890 | 17937-0001 | 22626-6000 | SP1003-09 |
| Merlin FSD | 52040-2001 | 040 | 3/4" BSP | Foot | | | SK384-0101 | 3298 | 1210-0001 | SP2701-1015 | X3001-095F |
| Merlin FSD | 29500-1201 | 040 | Ø 28 Hose | Flange | | | SK384-0001 | 3298 | 1210-0001 | SP2700-1027 | SP1002-02 |
| Merlin Turbo | 22750-1101 | 060 | Ø 32 Hose | Crank | • | | SK331-05 | 3298 | 22120-0001 | SP2701-21 | SP8019-01 |
| Meteor XLD | 22770-1101 | 020 | Ø 25 Hose | Crank | • | 29440-1101 | SK346 | 1985-01 | 673-0001 | SP2701-21 | SP1004-09 |
| Meteorite | 22770-1101 | 020 | Ø 25 Hose | Crank | • | 29440-1101 | SK346 | 1985-01 | 673-0001 | SP2701-21 | SP1004-09 |
| Meteorite | 29440-1101 | 020 | Ø 25 Hose | Crank | | | SK402-0001 | 1985-0000 | 18653-0001 | 29441-0000 | SP1004-09 |
| Minuet | 52040-2001 | 040 | 3/4" BSP | Foot | | | SK384-0101 | 3298 | 1210-0001 | SP2701-1015 | X3001-095F |
| Mistral | 21140-2641 | 080 | 1" BSP | Flange | • | | SK229 | 890 | 17937-0001 | 22626-6000 | SP1003-09 |
| Monarch | 21140-2641 | 080 | 1" BSP | Flange | • | | SK229 | 890 | 17937-0001 | 22626-6000 | SP1003-09 |

MITSUBISHI

| | | | | | | | | | | | |
|----------------------------------|------------|-----|-----------|--------|---|-------------|------------|------------|------------|-------------|-------------|
| K 2AS | 52010-2001 | 010 | 3/8" NPTF | Foot | • | 51510-2001 | SK404-0101 | 29308-0000 | 22405-0001 | SP2701-0501 | X3001-095F |
| K 2C | 29470-2351 | 020 | 3/8" BSP | Flange | • | 29470-2351C | SK405-0001 | 29476-0000 | 18653-0001 | SP2701-1006 | X3004-095G |
| K 3M | 29470-2331 | 020 | 3/8" BSP | Flange | • | 29470-2331C | SK405-0001 | 29476-0000 | 18653-0001 | SP2701-1006 | X3004-095G |
| K 3E / 4E | 29470-2351 | 020 | 3/8" BSP | Flange | • | 29470-2351C | SK405-0001 | 29476-0000 | 18653-0001 | SP2701-1006 | X3004-095G |
| S 4E2 | 23430-1041 | 080 | Ø 32 Hose | Flange | • | | SK385-0001 | 890 | 17937-0001 | SP2700-1027 | SP1003-0111 |
| S 6E2 | 23430-1041 | 080 | Ø 32 Hose | Flange | • | | SK385-0001 | 890 | 17937-0001 | SP2700-1027 | SP1003-0111 |
| S 6E2 | 23430-1001 | 080 | Ø 32 Hose | Flange | | | SK385-0001 | 890 | 17937-0001 | SP2700-1027 | SP1003-0111 |
| 4 DQ50 | 23430-1051 | 080 | Ø 32 Hose | Flange | • | | SK385-0001 | 890 | 17937-0001 | SP2700-1027 | SP1003-0111 |
| 4 DQ50 | 23430-1041 | 080 | Ø 32 Hose | Flange | • | | SK385-0001 | 890 | 17937-0001 | SP2700-1027 | SP1003-0111 |
| K & L Series, 2-, 3-, 4-cylinder | 29400-1101 | | | | • | | | | | | |

MWM – GERMANY

| | | | | | | | | | | | |
|----------------|-------------|-----|----------|--------|---|----------|----------|------|-----------|------------|-----------|
| KD 1105 Z | 9970-241-37 | 040 | 3/4" BSP | Flange | | | SK239-37 | 3298 | 1210-0003 | 22626-6000 | SP1002-02 |
| KD 1105 D | 9970-241-37 | 040 | 3/4" BSP | Flange | | | SK239-37 | 3298 | 1210-0003 | 22626-6000 | SP1002-02 |
| KD 1105 V | 9970-241-37 | 040 | 3/4" BSP | Flange | | | SK239-37 | 3298 | 1210-0003 | 22626-6000 | SP1002-02 |
| KD 1105 S | 9970-241-37 | 040 | 3/4" BSP | Flange | | | SK239-37 | 3298 | 1210-0003 | 22626-6000 | SP1002-02 |
| D 208 | 9970-241-37 | 040 | 3/4" BSP | Flange | | | SK239-37 | 3298 | 1210-0003 | 22626-6000 | SP1002-02 |
| TKD 1105 V & S | 9970-251 | 040 | 3/4" BSP | Flange | • | 9970-241 | SK239 | 3298 | 1210-0001 | 22626-6000 | SP1002-02 |

| JABSCO PUMP DETAILS | | | | | | | SERVICE KIT DETAILS | | | | |
|--|-------------------------|------|----------------|------------|----------|-----------------------|---------------------|------------------|------------|-------------|------------------|
| MODEL NUMBER | MODEL NUMBER * OEM ONLY | SIZE | PORT SIZE | MOUNT TYPE | OBSOLETE | ALTERNATE PUMP NUMBER | NUMBER | END COVER GASKET | IMPELLER | WATER SEAL | END COVER SCREWS |
| KD 1105 | 9970-251 | 040 | 3/4" BSP | Flange | • | 9970-241 | SK239 | 3298 | 1210-0001 | 22626-6000 | SP1002-02 |
| TD 208-4 & 6 | 9970-251 | 040 | 3/4" BSP | Flange | • | 9970-241 | SK239 | 3298 | 1210-0001 | 22626-6000 | SP1002-02 |
| D 2086 | 9970-251 | 040 | 3/4" BSP | Flange | • | 9970-241 | SK239 | 3298 | 1210-0001 | 22626-6000 | SP1002-02 |
| D 2086 | 9970-241 | 040 | 3/4" BSP | Flange | | Direct Cooling | SK241 | 3298 | 1210-0001 | 22626-6000 | SP1002-02 |
| D 225 4 & 6 | 9970-241-37 | 040 | 3/4" BSP | Flange | | | SK239-37 | 3298 | 1210-0003 | 22626-6000 | SP1002-02 |
| D226-2 -3 -4 & 6 | 9970-241 | 040 | 3/4" BSP | Flange | | Direct Cooling | SK241 | 3298 | 1210-0001 | 22626-6000 | SP1002-02 |
| TD 226-6 | 9970-241 | 040 | 3/4" BSP | Flange | | Direct Cooling | SK241 | 3298 | 1210-0001 | 22626-6000 | SP1002-02 |
| TD 228-6 | 9970-241 | 040 | 3/4" BSP | Flange | | Direct Cooling | SK241 | 3298 | 1210-0001 | 22626-6000 | SP1002-02 |
| TD 226-6 | 22220-241 | 060 | 1" BSP | Flange | | | SK334 | 3298 | 22120-0001 | 22626-6000 | SP1002-01 |
| TD 228-6 | 22220-241 | 060 | 1" BSP | Flange | | | SK334 | 3298 | 22120-0001 | 22626-6000 | SP1002-01 |
| D202-283 | 22830-2051 | 010 | 3/8" BSP | Flange | • | | SK23 | 1189 | 4528-0001 | SP2701-14 | SP1002-01 |
| 234B | 29880-0001 | 370 | 2-3/4" Flanged | Flange | | Respecified | SK410 | X4020-424A | 17240-0001 | 21849 | X3001-180F |
| D889 / 90 / 91 / 92 / 93 | 22820-2051 | 040 | 3/8" BSP | Flange | • | | SK23 | 1189 | 4528-0001 | SP2701-14 | SP1002-01 |
| NANNI DIESEL – FRANCE / HOLLAND | | | | | | | | | | | |
| FK2 / 2.40 HE | 29300-2001 | 010 | 3/8" BSP | Flange | • | | SK404-0001 | 29308-0000 | 22405-0001 | SP2701-1006 | X3004-095G |
| FK3 / 2.60 HE / 3.90 HE | 29470-2031 | 020 | 3/8" BSP | Flange | • | | SK405-0001 | 29476-0000 | 18653-0001 | SP2701-1006 | X3004-095G |
| K.L.A | 29300-2301 | 010 | 3/8" BSP | Flange | • | | SK404-0001 | 29308-0000 | 22405-0001 | SP2701-1006 | X3004-095G |
| L30 | 52010-2001 | 010 | 3/8" NPTF | Foot | • | 51510-2001 | SK404-0101 | 29308-0000 | 22405-0001 | SP2701-0501 | X3001-095F |
| P 30 / R 30 / S 30 | 29470-2031 | 020 | 3/8" BSP | Flange | • | | SK405-0001 | 29476-0000 | 18653-0001 | SP2701-1006 | X3004-095G |
| P 30 / R 30 / S 30 | 52020-2031 | 020 | 1/2" BSP | Foot | | | SK405-0101 | 2995-0030 | 18653-0001 | SP2701-0501 | X3001-095F |
| RC 210 D | 11740-205 | 080 | 1" BSP | Foot | • | Bilge | SK300 | 11746 | 17937-0001 | 21849 | SP1005-03 |
| RC 320 D | Dual Pump | 200 | 1-1/2" Flanged | Foot | | Cooling | SK300 | 816 | 836-0001 | 21849 | SP1005-03 |
| 2.40HE | 29300-2001C | 010 | 3/8" BSP | Flange | • | | SK404-0001 | 29308-0000 | 22405-0001 | SP2701-1006 | X3004-095G |
| 2.50HE | 29460-1401 | 020 | Ø 20 Hose | Flange | • | 29460-1631 | SK401-0001 | 2995-0030 | 18653-0001 | SP2701-1006 | SP1002-01 |
| 2.60 | 11260-2101 | 010 | 3/8" BSP | Flange | • | 29300-2201C | SK266 | 1126 | 4528-0001 | SP2701-04 | SP1002-01 |
| 2.60HE | 29470-2031C | 020 | 3/8" BSP | Flange | | | SK405-0001 | 29476-0000 | 18653-0001 | SP2701-1006 | X3004-095G |
| 3.75HE | 29460-1401 | 020 | Ø 20 Hose | Flange | • | 29460-1631 | SK401-0001 | 2995-0030 | 18653-0001 | SP2701-1006 | SP1002-01 |

11 Flexible Impeller Pumps

COOLING PUMP SPARES BY MAKE OF ENGINE



| JABSCO PUMP DETAILS | | | | | | | SERVICE KIT DETAILS | | | | |
|---------------------|-------------------------|------|----------------|------------|----------|-----------------------|---------------------|------------------|------------|-------------|------------------|
| MODEL NUMBER | MODEL NUMBER * OEM ONLY | SIZE | PORT SIZE | MOUNT TYPE | OBSOLETE | ALTERNATE PUMP NUMBER | NUMBER | END COVER GASKET | IMPELLER | WATER SEAL | END COVER SCREWS |
| 3.90 | 11260-2101 | 010 | 3/8" BSP | Flange | • | 29300-2201C | SK266 | 1126 | 4528-0001 | SP2701-04 | SP1002-01 |
| 3.90 | 29300-2201C | 010 | 3/8" BSP | Flange | • | | SK404-0001 | 29308-0000 | 22405-0001 | SP2701-1006 | X3004-095G |
| 3.90 | 21130-2101 | 020 | 3/8" BSP | Flange | • | Bilge | SK304 | 21117 | 4528-0001 | SP2701-04 | SP1002-03 |
| | Dual Pump | 020 | 3/8" BSP | Flange | | Cooling | SK304 | 21117 | 4528-0001 | SP2701-04 | SP1002-17 |
| 3.90HE | 29470-2031 | | | | • | | | | 18653-0001 | | |
| 4.110 HE | 3270-261 | 040 | 3/4" BSP | Flange | • | | SK33 | 3298 | 1210-0001 | SP2701-21 | SP1002-02 |
| 4.110HLE | 3270-261 | 040 | 3/4" BSP | Flange | | | SK33 | 3298 | 1210-0001 | SP2701-21 | SP1002-02 |
| 4.18 | 3270-261 | 040 | 3/4" BSP | Flange | | | SK33 | 3298 | 1210-0001 | SP2701-21 | SP1002-02 |
| 4.180 | 3270-261 | 040 | 3/4" BSP | Flange | • | | SK33 | 3298 | 1210-0001 | SP2701-21 | SP1002-02 |
| 4.190 HE | 29500 | 040 | Ø 28 Hose | Flange | • | | SK384-0001 | 3298 | 1210-0001 | SP2700-1027 | SP1002-02 |
| 4.220 HE | 23430-1001 | 080 | Ø 32 Hose | Flange | | | SK385-0001 | 890 | 17937-0001 | SP2700-1027 | SP1003-0111 |
| 4.440 | 29600-1201 | 080 | Ø 32 Hose | Flange | | | SK385-0101 | 890 | 17937-0001 | SP6080-0469 | SP1003-0111 |
| 5.280 HE | 23430-1001 | 080 | Ø 32 Hose | Flange | | | SK385-0001 | 890 | 17937-0001 | SP2700-1027 | SP1003-0111 |
| 6.280 | 23430-1001 | 080 | Ø 32 Hose | Flange | | | SK385-0001 | 890 | 17937-0001 | SP2700-1027 | SP1003-0111 |
| 6.570 / T | 6420-2041 | 080 | 1" BSP | Foot | • | 52080-2041 | SK385-0201 | 3101 | 17937-0001 | SP2700-1027 | SP1003-09 |
| 6.570 / T | 52080-2041 | 080 | 1" BSP | Foot | | | SK406-0001 | 890 | 17937-0001 | SP2700-48 | X3001-147F |
| 6.660E / 6.660 LE | 29600-1201 | 080 | Ø 32 Hose | Flange | | | SK385-0101 | 890 | 17937-0001 | SP6080-0469 | SP1003-0111 |
| MB 180 / 300 | 29500-1001 | 040 | Ø 28 Hose | Flange | | | SK384-0001 | 3298 | 1210-0001 | SP2700-1027 | SP1002-02 |
| MB 220 | 3270-205 | 040 | 3/4" BSP | Flange | • | | SK33 | 3298 | 1210-0001 | SP2701-21 | SP1002-02 |
| OM 366 | 23340-1101 | 120 | Ø 45 Hose | Flange | • | Respecified | SK310 | 890 | 17018-0001 | 22617-0000 | SP1003-09 |
| 1300 | 52220-0041 | 200 | 1-1/2" Flanged | Foot | | | SK407-0011 | 816 | 17935-0001 | SP6080-0374 | X3001-176F |
| 1600 | 52220-0011 | 200 | 1-1/2" Flanged | Foot | | | SK407-0011 | 816 | 17935-0001 | SP6080-0374 | X3001-176F |
| 2100 | 52270-2041 | 270 | 2" BSP | Foot | | | SK408-0011 | 816 | 21676-0001 | SP6080-0374 | X3001-176F |
| 2100 T | 52270-2011 | 270 | 2" BSP | Foot | | | SK408-0011 | 816 | 17936-0001 | SP6080-0374 | X3001-176F |
| NORPRO – USA | | | | | | | | | | | |
| 1120A | 2620-1001 | | 3/8" NPTF | Foot | • | | 90020-0001 | 18753-0125 | 18673-0001 | 92700-0050 | 18753-0121 |
| 1731 | 2620-1001 | | 3/8" NPTF | Foot | • | | 90020-0001 | 18753-0125 | 18673-0001 | 92700-0050 | 18753-0121 |
| 600 | 2620-1001 | | 3/8" NPTF | Foot | • | | 90020-0001 | 18753-0125 | 18673-0001 | 92700-0050 | 18753-0121 |
| 800 | 2620-1001 | | 3/8" NPTF | Foot | • | | 90020-0001 | 18753-0125 | 18673-0001 | 92700-0050 | 18753-0121 |

| JABSCO PUMP DETAILS | | | | | | | SERVICE KIT DETAILS | | | | |
|-------------------------------|-------------------------|------|------------|------------|----------|-----------------------|---------------------|--------------------------------------|------------|-------------|------------------|
| MODEL NUMBER | MODEL NUMBER * OEM ONLY | SIZE | PORT SIZE | MOUNT TYPE | OBSOLETE | ALTERNATE PUMP NUMBER | NUMBER | END COVER GASKET | IMPELLER | WATER SEAL | END COVER SCREWS |
| 1000 | 2620-1001 | | 3/8" NPTF | Foot | • | | 90020-0001 | 18753-0125 | 18673-0001 | 92700-0050 | 18753-0121 |
| 1250 | 2620-1001 | | 3/8" NPTF | Foot | • | | 90020-0001 | 18753-0125 | 18673-0001 | 92700-0050 | 18753-0121 |
| 1800 | 2620-1001 | | 3/8" NPTF | Foot | • | | 90020-0001 | 18753-0125 | 18673-0001 | 92700-0050 | 18753-0121 |
| 6500T2 | 777-9001 | | 1" NPTF | Foot | | | 90118-0001 | 890-0000 | 920-0001 | 96080-0001 | 91003-0010 |
| NORTH EAST FORD – USA | | | | | | | | | | | |
| Ford | | | | | | | | | | | |
| 2723 | 21140-2601 | 080 | 1" BSP | Flange | | | SK229 | 890 | 17937-0001 | 22626-6000 | SP1003-09 |
| ONAN – USA | | | | | | | | | | | |
| Ensign | 52010-0051 | 010 | 3/8" NPT | Foot | • | | SK404-0101 | 29308-0000 | 22405-0001 | SP2701-0501 | X3001-095F |
| 9 kW | 52010-0051 | 010 | 3/8" NPT | Foot | • | | SK404-0101 | 29308-0000 | 22405-0001 | SP2701-0501 | X3001-095F |
| PEGASO (ENASA) – SPAIN | | | | | | | | | | | |
| 9040 / 9028 | 9710-200 | 080 | 1" BSP | Foot | | | SK229 | 890 | 17937-0001 | 22626-6000 | SP1003-09 |
| 9100 / 4 / 5 | 9710-200 | 080 | 1" BSP | Foot | | | SK229 | 890 | 17937-0001 | 22626-6000 | SP1003-09 |
| 9130 / S | 9700-21 | 080 | 1" Flanged | Flange | | 29600-1001 | SK238 | 890 | 17937-0001 | SP6080-06 | SP1003-01 |
| 9130 / S | 29600-1001 | 080 | Ø 32 Hose | Flange | | New Pipework | SK385-0101 | 890 | 17937-0001 | SP6080-0469 | SP1003-0111 |
| 9716 / S | 6490-252 | 040 | 1/2" BSP | Foot | • | 6490-222 | SK225-01 | Use 23299 Kit to upgrade to 6490-222 | | | |
| 9716 / S | 6490-222 | 040 | 1/2" BSP | Foot | • | | SK225-01 | 6496 | 1210-0001 | SP2701-21 | SP1003-09 |
| PERAMA | | | | | | | | | | | |
| M20 | 29350-1001 | 010 | Ø 18 Hose | Flange | | | SK23-0101 | 1126 | 4528-0001 | SP2701-14 | SP1002-01 |
| M25 / 30 / 3HD 20 | 29450-1101 | 020 | Ø 20 Hose | Flange | • | | SK387-0001 | 2995-0030 | 673-0001 | SP2700-05 | SP1002-01 |
| M35 / 40 | 29450-1101 | 020 | Ø 20 Hose | Flange | • | | SK387-0001 | 2995-0030 | 673-0001 | SP2700-05 | SP1002-01 |
| MC42 | 29450-1231 | 020 | Ø 20 Hose | Flange | | | SK387-0001 | 2995-0030 | 673-0001 | SP2700-05 | SP1002-01 |
| 3HD 46 | 29450-1201 | 020 | Ø 20 Hose | Flange | | | SK387-0001 | 2995-0030 | 673-0001 | SP2700-05 | SP1002-01 |
| M50 / 60 / 80T | 29450-1201 | 020 | Ø 20 Hose | Flange | | | SK387-0001 | 2995-0030 | 673-0001 | SP2700-05 | SP1002-01 |
| Prima | 29500-1001 | 040 | Ø 28 Hose | Flange | | | SK384-0001 | 3298 | 1210-0001 | SP2700-1027 | SP1002-02 |
| Primera (MD22) | 29540-1001 | 040 | Ø 28 Hose | Foot | • | | SK384-0001 | 3298 | 1210-0001 | SP2700-1027 | X3001-095F |
| PERKINS – UK | | | | | | | | | | | |
| P3 144M / 152M | 4850 | 080 | Ø 32 Hose | Flange | • | 9750 | | 3101 | 920-08 | SP2700-06 | SP1003-09 |
| P3 144M / 152M | 9750 | 080 | Ø 32 Hose | Flange | • | | SK269 | 3101-01 | 17937-0001 | 22626-6000 | SP1003-09 |

11 Flexible Impeller Pumps

COOLING PUMP SPARES BY MAKE OF ENGINE



| JABSCO PUMP DETAILS | | | | | | | SERVICE KIT DETAILS | | | | |
|-------------------------|-------------------------|------|------------------|------------|----------|-----------------------|---------------------|------------------|------------|-------------|------------------|
| MODEL NUMBER | MODEL NUMBER * OEM ONLY | SIZE | PORT SIZE | MOUNT TYPE | OBSOLETE | ALTERNATE PUMP NUMBER | NUMBER | END COVER GASKET | IMPELLER | WATER SEAL | END COVER SCREWS |
| P3 144M / 152M | 4860 | 080 | Ø 32 Hose | Flange | • | 9760 | | 3101 | 920-08 | SP2700-06 | SP1003-09 |
| P3 144M / 152M | 9760 | 080 | Ø 32 Hose | Flange | • | | SK269 | 890-01 | 17937-0001 | 22626-6000 | SP1003-09 |
| P3M / P4M / P6M | 4330-01 | 080 | Ø 32 Hose/Flange | Flange | • | | | | | | |
| 4.99M | 29500-1001 | 040 | Ø 28 Hose | Flange | | | SK384-0001 | 3298 | 1210-0001 | SP2700-1027 | SP1002-02 |
| 4.99M (Exhaust Cooling) | 9430 | 010 | 1/4" BSP | Flange | • | Exhaust Cooling | SK221 | 1126 | 4528-0001 | SP2701-09 | SP1002-01 |
| L4M | 4160 | 080 | Ø 32 Hose | Flange | • | | | | | | |
| S6M / 31.52 / 3.1524 | 6420-2001 | 080 | 1" BSP | Foot | • | 52080-2001 | SK385-0201 | 890 | 17937-0001 | SP2700-1027 | SP1003-09 |
| S6M / 31.52 / 3.1524 | 52080-2001 | 080 | 1" BSP | Foot | | | SK406-0001 | 890 | 17937-0001 | SP2700-48 | X3001-147F |
| 3.152 / 3.1524 | 29500-1101 | 040 | Ø 28 Hose | Flange | | | SK384-0001 | 3298 | 1210-0001 | SP2700-1027 | SP1002-02 |
| 4.107M / 4.108M / LL | 3370-200 | 040 | 3/4" BSP | Flange | • | 9970-200 | SK33 | 3298 | 1210-0001 | SP2701-21 | SP1002-02 |
| 4.107M / 4.108M / LL | 9970-200 | 040 | 3/4" BSP | Flange | | | SK229 | 3298 | 1210-0001 | 22626-6000 | SP1002-02 |
| 4114 (Imp. from USA) | 11850-0101 | 040 | 1" Hose | Flange | • | 11850-0701 | SK117-02 | 8641 | 1210-0001 | SP6080-08B | SP1026-01 |
| 4114 (Imp. from USA) | 11850-0701 | 040 | 1" Hose | Flange | • | | SK117-02 | 8641 | 1210-0001 | SP6080-08B | SP1026-01 |
| 4.236 / T4.236 | 10970 | 040 | 3/4" BSP | Flange | | | SK268-01 | 3298 | 1210-0001 | 22626-6000 | SP1002-02 |
| 4.236 LL | 10970-21 | 040 | 3/4" Flanged | Flange | | | SK268-01 | 3298 | 1210-0001 | 22626-6000 | SP1002-02 |
| 4.270 M | 4160 | 080 | Ø 32 Hose | Flange | • | | | | | | |
| 6.305 M | 6030-71 | 080 | 1" Flanged | Flange | • | | SK236 | 890 | 17937-0001 | SP2701-21 | SP1003-09 |
| T / H / HT 6.354 M | 9990-21 | 040 | 3/4" NPT | Barrel | • | 9990-41 | | 3298 | 1210-0001 | 22626-6000 | SP1002-02 |
| T / H / HT 6.354 M | 9990-41 | 040 | 3/4" NPT | Barrel | | | SK268 | 3298 | 1210-0001 | 22626-6000 | SP1002-02 |
| T / H / HT 6.354 LL | 9700-151 | 080 | 1" Flanged | Flange | • | | SK238-01 | 3101 | 17937-0001 | SP6080-06 | SP1003-01 |
| 6.3540 M | 9700-151 | 080 | 1" Flanged | Flange | • | | SK238-01 | 3101 | 17937-0001 | SP6080-06 | SP1003-01 |
| 6.3543 M | 9700-141 | 080 | 1" Flanged | Flange | • | 9700-04 | SK238 | 890 | 17937-0001 | SP6080-06 | SP1003-01 |
| 6.3543 M | 9700-04 | 080 | 1" Flanged | Flange | | | SK238-01 | 3101 | 17937-0001 | SP6080-06 | SP1003-01 |
| 6.354 | 9700-01 | 080 | 1" Flanged | Flange | | | SK238 | 890 | 17937-0001 | SP6080-06 | SP1003-01 |
| V8.510 | 21180-05 | 200 | 1-1/4" Flanged | Flange | • | | SK293-01 | 816 | 836-0001 | 21849 | SP1005-04 |
| TV8.5410 / 40 | 21180 | 200 | 1-1/4" Flanged | Flange | • | | SK293-01 | 816 | 836-0001 | 21849 | SP1005-04 |
| M90 / 4HD 76 / 6HD | 10970-21 | 040 | 3/4" Flanged | Flange | | | SK268-01 | 3298 | 1210-0001 | 22626-6000 | SP1002-02 |
| 6HD 135 / 150 | 9700-01 | 080 | 1" Flanged | Flange | | | SK238 | 890 | 17937-0001 | SP6080-06 | SP1003-01 |
| M200 / 240 / 275 | 9990-41 | 040 | 3/4" NPT | Barrel | | | SK268 | 3298 | 1210-0001 | 22626-6000 | SP1002-02 |

| JABSCO PUMP DETAILS | | | | | | | SERVICE KIT DETAILS | | | | |
|-----------------------------|-------------------------|------|----------------|------------|----------|-----------------------|---------------------|------------------|------------|-------------|------------------|
| MODEL NUMBER | MODEL NUMBER * OEM ONLY | SIZE | PORT SIZE | MOUNT TYPE | OBSOLETE | ALTERNATE PUMP NUMBER | NUMBER | END COVER GASKET | IMPELLER | WATER SEAL | END COVER SCREWS |
| 1000-Series | 29630-1001 | 080 | Ø 32 Hose | Flange | • | | SK385-0101 | 890 | 17937-0001 | SP6080-0469 | SP1003-0111 |
| POWER GENNY – USA | | | | | | | | | | | |
| Kubota 2-cyl. | 52010-2001 | 010 | 3/8" NPTF | Foot | • | 51510-2001 | SK404-0101 | 29308-0000 | 22405-0001 | SP2701-0501 | X3001-095F |
| ROLLS ROYCE – UK | | | | | | | | | | | |
| C6NFLM / C6SFLM | 4360 | 200 | 1-1/2" Flanged | Flange | • | | SK230 | 816 | 836-0001 | 21849 | SP1005-04 |
| C8T Mk IV | 4360 | 200 | 1-1/2" Flanged | Flange | • | | SK230 | 816 | 836-0001 | 21849 | SP1005-04 |
| C8T / C8S / C8N | 10590-01 | 270 | 2" Flanged | Flange | • | | SK254 | 816 | 21676-0001 | 21849 | SP1005-04 |
| C6-Series / C12-Series | 10590-01 | 270 | 2" Flanged | Flange | • | | SK254 | 816 | 21676-0001 | 21849 | SP1005-04 |
| CV-Series / 8 / 12HD | 10590-01 | 270 | 2" Flanged | Flange | • | | SK254 | 816 | 21676-0001 | 21849 | SP1005-04 |
| CV-Series / 8 / 12HD | 11100-01-01 | 270 | 2" BSP | Flange | • | | SK254 | 816 | 21676-0001 | 21849 | SP1005-04 |
| SAAB – NORWAY | | | | | | | | | | | |
| F 210 / F 444 | 21690 | 040 | Ø 20 Hose | Flange | • | | SK239 | 3298 | 1210-0001 | 22626-6000 | SP1002-02 |
| F 210 / F 444 | 21690-05 | 040 | Ø 20 Hose | Flange | • | | SK239 | 3298 | 1210-0001 | 22626-6000 | SP1002-02 |
| F 4.254 / 6.380 | 10950-201 | 040 | 1/2" BSP | Flange | • | 10950-2401 | SK239 | 3298 | 1210-0001 | 22626-6000 | SP1002-02 |
| F 4.254 / 6.380 | 10950-2401 | 040 | 3/4" BSP | Flange | | | SK239 | 3298 | 1210-0001 | 22626-6000 | SP1002-02 |
| F 6.363T / TI | 21140-201 | 080 | 1" BSP | Flange | • | 21140-2401 | SK229 | 890 | 17937-0001 | 22626-6000 | SP1003-09 |
| F 6.363T / TI | 21140-2401 | 080 | 1" BSP | Flange | | | SK229 | 890 | 17937-0001 | 22626-6000 | SP1003-09 |
| M 4.210 | 3270-2101 | 040 | 3/4" BSP | Flange | • | | SK271 | 3298 | 1210-0001 | SP2701-21 | SP1002-02 |
| M 4.295 | 29500-1001 | 040 | Ø 28 Hose | Flange | | | SK384-0001 | 3298 | 1210-0001 | SP2700-1027 | SP1002-02 |
| SAAB SCANIA – SWEDEN | | | | | | | | | | | |
| D11 / DS11 / DSI11 | 10980-01 | 200 | 1-1/2" Flanged | Flange | • | 10980-0051 | SK230 | 816 | 836-0001 | 21849 | SP1005-04 |
| D11 / DS11 / DSI11 | 10980-0051 | 200 | 1-1/2" Flanged | Flange | • | | SK230-0161 | 816 | 17935-0001 | 21849 | SP1005-04 |
| D5 / DS5 | 9700-21 | 080 | 1" Flanged | Flange | | 29600-1001 | SK238 | 890 | 17937-0001 | SP6080-06 | SP1003-01 |
| D5 / DS5 | 29600-1001 | 080 | Ø 32 Hose | Flange | | New Pipework | SK385-0101 | 890 | 17937-0001 | SP6080-0469 | SP1003-0111 |
| D5 / DS5 | 7870-221 | 200 | 1-1/4" BSP | Foot | • | | SK230 | 816 | 836-0001 | SP6080-0374 | SP1005-04 |
| SABRE ENGINES – UK | | | | | | | | | | | |
| Ford Dorset | | | | | | | | | | | |
| 80 / 120 / 140 | 10950-200 | 040 | 3/4" BSP | Flange | • | 10950-2401 | SK239 | 3298 | 1210-0001 | 22626-6000 | SP1002-02 |
| 80 / 120 / 140 | 10950-2401 | 040 | 3/4" BSP | Flange | | | SK239 | 3298 | 1210-0001 | 22626-6000 | SP1002-02 |

11 Flexible Impeller Pumps

COOLING PUMP SPARES BY MAKE OF ENGINE



| JABSCO PUMP DETAILS | | | | | | | SERVICE KIT DETAILS | | | | |
|------------------------|-------------------------|------|----------------|------------|----------|-----------------------|---------------------|------------------|------------|-------------|------------------|
| MODEL NUMBER | MODEL NUMBER * OEM ONLY | SIZE | PORT SIZE | MOUNT TYPE | OBSOLETE | ALTERNATE PUMP NUMBER | NUMBER | END COVER GASKET | IMPELLER | WATER SEAL | END COVER SCREWS |
| 180 / 210 / 212 / 212C | 21140-200 | 080 | 1" BSP | Flange | • | 21140-2401 | SK229 | 890 | 17937-0001 | 22626-6000 | SP1003-09 |
| 180 / 210 / 212 / 212C | 21140-2401 | 080 | 1" BSP | Flange | | | SK229 | 890 | 17937-0001 | 22626-6000 | SP1003-09 |
| Ford Dover | 21140-2201 | 080 | 1" BSP | Flange | • | 21140-2601 | SK229 | 890 | 17937-0001 | 22626-6000 | SP1003-09 |
| Ford Dover | 21140-2601 | 080 | 1" BSP | Flange | | | SK229 | 890 | 17937-0001 | 22626-6000 | SP1003-09 |
| 250 / 275 / 365 | 21580-200 | 080 | 1" BSP | Flange | • | | SK229 | 890 | 17937-0001 | 22626-6000 | SP1003-09 |
| Marathon | 21890 | 120 | 1-1/2" BSP | Flange | • | 10880-2611 | SK310 | 890 | 17018-0001 | 22617-0000 | SP1003-09 |
| Marathon | 10880-2611 | 200 | 1-1/2" Flanged | Flange | • | | SK375-0101 | 816 | 17935-0001 | 21849 | SP1005-04 |
| M225Ti / 370Ti | 29630-1001 | 080 | Ø 32 Hose | Flange | • | | SK385-0101 | 890 | 17937-0001 | SP6080-0469 | SP1003-0111 |
| 370L / 420L | 29700-1201 | 120 | Ø 45 Hose | Flange | | | SK386-0001 | 890 | 17018-0001 | SP6080-0469 | SP1003-0111 |
| 320 / 400 / 420 / 450 | 10630-07 | 200 | 1-1/2" Flanged | Foot | • | 52220-0011 | SK230 | 816 | 836-0001 | 21849 | SP1005-04 |
| 320 / 400 / 420 / 450 | 52220-0011 | 200 | 1-1/2" Flanged | Foot | | | SK407-0011 | 816 | 17935-0001 | SP6080-0374 | X3001-176F |
| 500 | 10490-07 | 270 | 2" Flanged | Foot | • | 52270-0011 | SK254 | 816 | 21676-0001 | 21849 | SP1005-04 |
| 500 | 52270-0011 | 270 | 2" Flanged | Foot | | | SK408-0011 | 816 | 17936-0001 | SP6080-0374 | SP1095-0640 |
| M215C | 29630-1001 | 080 | Ø 32 Hose | Flange | • | | SK385-0101 | 890 | 17937-0001 | SP6080-0469 | SP1003-0111 |
| M185C | 29630-1001 | 080 | Ø 32 Hose | Flange | • | | SK385-0101 | 890 | 17937-0001 | SP6080-0469 | SP1003-0111 |
| M130C | 29630-1001 | 080 | Ø 32 Hose | Flange | • | | SK385-0101 | 890 | 17937-0001 | SP6080-0469 | SP1003-0111 |
| M135 | 29630-1001 | 080 | Ø 32 Hose | Flange | • | 29640-1101 | SK385-0101 | 890 | 17937-0001 | SP6080-0469 | SP1003-0111 |
| 1006T | 29630-1201* | 080 | Ø 32 Hose | Flange | | | SK385-0601 | 890 | 920-0101 | SP6080-0469 | X5258-013 |
| 1006NA | 29630-1241* | 080 | Ø 32 Hose | Flange | | | SK385-0601 | 890 | 920-0101 | SP6080-0469 | X5258-013 |
| 1104 | 50440-1401* | 080 | Ø 32 Hose | Flange | | | SK385-0601 | X4020-269A | 920-0101 | SP6080-0469 | X3001-176F |
| 1106 | 50440-1401* | 080 | Ø 32 Hose | Flange | | | SK385-0601 | X4020-269A | 920-0101 | SP6080-0469 | X3001-176F |
| C6.6 | 50540-1101* | 120 | Ø 45 Hose | Flange | | | | X4020-269A | 17018-0001 | SP6080-0469 | X3001-176F |
| 400 | 50370-2001* | 040 | 3/4" BSP | Flange | | | SK384-0201 | X4020-259A | 1210-0001 | SP6080-0469 | X3001-147F |

SCHWARTING – GERMANY

Mercedes

| | | | | | | | | | | | |
|--------------------|------------|-----|------------|------|---|------------|------------|-----|------------|-------------|------------|
| S 314 / 352 / 352A | 52080-2001 | 080 | 1" BSP | Foot | | | SK406-0001 | 890 | 17937-0001 | SP2700-48 | X3001-147F |
| S 421 / 422 / 423 | 52200-2041 | 200 | 1-1/4" BSP | Foot | | | SK407-0011 | 816 | 17935-0001 | SP6080-0374 | X3001-176F |
| S 424 | 52200-2001 | 200 | 1-1/2" BSP | Foot | • | 52200-2011 | SK407-0011 | 816 | 17935-0001 | SP6080-0374 | X3001-176F |
| S 424 | 52200-2011 | 200 | 1-1/2" BSP | Foot | | | SK407-0011 | 816 | 17935-0001 | SP6080-0374 | X3001-176F |
| S 424A | 52270-2041 | 270 | 2" BSP | Foot | | | SK408-0011 | 816 | 21676-0001 | SP6080-0374 | X3001-176F |

| JABSCO PUMP DETAILS | | | | | | | SERVICE KIT DETAILS | | | | |
|-----------------------------|-------------------------|------|----------------|------------|----------|-----------------------|---------------------|------------------|------------|-------------|------------------|
| MODEL NUMBER | MODEL NUMBER * OEM ONLY | SIZE | PORT SIZE | MOUNT TYPE | OBSOLETE | ALTERNATE PUMP NUMBER | NUMBER | END COVER GASKET | IMPELLER | WATER SEAL | END COVER SCREWS |
| S 615 / 616 / 636 | 3270-261 | 040 | 3/4" BSP | Flange | • | | SK33 | 3298 | 1210-0001 | SP2701-21 | SP1002-02 |
| S 617 / 617A | 23430-1001 | 080 | Ø 32 Hose | Flange | | | SK385-0001 | 890 | 17937-0001 | SP2700-1027 | SP1003-0111 |
| SEATEK – ITALY | | | | | | | | | | | |
| 6.4V.9 | 10770-57 | 200 | 1-1/2" Flanged | Flange | | | SK230 | 816 | 836-0001 | 21849 | SP1005-04 |
| 10.3 Offshore | 29880-0101 | 370 | 2-3/4" Flanged | Flange | • | | SK410 | X4020-424A | 17240-0001 | 21849 | X3001-180F |
| SISU – See VALMET OY | | | | | | | | | | | |
| SOLE DIESEL – SPAIN | | | | | | | | | | | |
| MB 636 | 29500-1001 | 040 | Ø 28 Hose | Flange | • | | SK384-0001 | 3298 | 1210-0001 | SP2700-1027 | SP1002-02 |
| MB 616-4 | 23430-1001 | 080 | Ø 32 Hose | Flange | | | SK385-0001 | 890 | 17937-0001 | SP2700-1027 | SP1003-0111 |
| MB 616-6 | 23430-1001 | 080 | Ø 32 Hose | Flange | | | SK385-0001 | 890 | 17937-0001 | SP2700-1027 | SP1003-0111 |
| SF15 | 21140-204 | 080 | 1" BSP | Flange | • | 21140-2401 | SK229 | 890 | 17937-0001 | 22626-6000 | SP1003-09 |
| SF15 | 21140-2401 | 080 | 1" BSP | Flange | | | SK229 | 890 | 17937-0001 | 22626-6000 | SP1003-09 |
| SF18 | 21140-200 | 080 | 1" BSP | Flange | • | 21140-2401 | SK229 | 890 | 17937-0001 | 22626-6000 | SP1003-09 |
| SF18 | 21140-2401 | 080 | 1" BSP | Flange | | | SK229 | 890 | 17937-0001 | 22626-6000 | SP1003-09 |
| SM 615 | 6490-210 | 040 | 1/2" BSP | Foot | • | | SK225-01 | 6496 | 1210-0001 | SP2701-21 | SP1003-09 |
| SM 636 | 29500-1001 | 040 | Ø 28 Hose | Flange | | | SK384-0001 | 3298 | 1210-0001 | SP2700-1027 | SP1002-02 |
| 6.354.3 | 9710-210 | 080 | 1" BSP | Foot | • | | SK229 | 890 | 17937-0001 | 22626-6000 | SP1003-09 |
| 4.108 | 29500-1001 | 040 | Ø 28 Hose | Flange | | | SK384-0001 | 3298 | 1210-0001 | SP2700-1027 | SP1002-02 |
| TATKO – TURKEY | | | | | | | | | | | |
| | 23050-1031 | 020 | 3/8" BSP | Flange | • | | SK211 | 10817 | 673-0001 | SP2701-04 | SP1002-09 |
| TEMPEST DIESELS – UK | | | | | | | | | | | |
| Captain 31 | 4760-01 | 020 | 3/4" BSP | Flange | • | | SK228 | 2995-0030 | 673-0001 | SP2701-04 | SP1002-01 |
| Captain 31 | 4900-01 | 040 | 1/2" BSP | Foot | • | | SK234 | 4908 | 4568-0001 | 3791 | SP1003-09 |
| Captain 1.5 / 1.8 | 52040-2001 | 040 | 3/4" BSP | Foot | | | SK384-0101 | 3298 | 1210-0001 | SP2701-015 | X3001-095F |
| Commander 2.2D (DC) | 4760-01 | 020 | 3/4" BSP | Flange | • | | SK228 | 2995-0030 | 673-0001 | SP2701-04 | SP1002-01 |
| Commander 2.5 (HX) | 29500-1001 | 040 | Ø 28 Hose | Flange | | | SK384-0001 | 3298 | 1210-0001 | SP2700-1027 | SP1002-02 |
| Commander 50 HP | 4760-21 | 020 | 3/4" BSP | Flange | • | | SK228 | 2995-0030 | 673-0001 | SP2701-04 | SP1002-01 |
| Commander 50 HP | 4760-111 | 020 | 3/4" BSP | Flange | • | | SK228 | 2995-0030 | 673-0001 | SP2701-04 | SP1002-01 |

11 Flexible Impeller Pumps

COOLING PUMP SPARES BY MAKE OF ENGINE



| JABSCO PUMP DETAILS | | | | | | | SERVICE KIT DETAILS | | | | |
|----------------------------|-------------------------|------|----------------|------------|----------|-----------------------|---------------------|------------------|------------|-------------|------------------|
| MODEL NUMBER | MODEL NUMBER * OEM ONLY | SIZE | PORT SIZE | MOUNT TYPE | OBSOLETE | ALTERNATE PUMP NUMBER | NUMBER | END COVER GASKET | IMPELLER | WATER SEAL | END COVER SCREWS |
| Commander 50 HP (HX) | 3270-241 | 040 | 3/4" BSP | Flange | • | | SK271 | 3298 | 1210-0001 | SP2701-21 | SP1002-02 |
| Commander 50 HP (HX) | 29500-1001 | 040 | Ø 28 Hose | Flange | | | SK384-0001 | 3298 | 1210-0001 | SP2700-1027 | SP1002-02 |
| Commodore 34 / 38 | 4760-01 | 020 | 3/4" BSP | Flange | • | | SK228 | 2995-0030 | 673-0001 | SP2701-04 | SP1002-01 |
| Commodore | 3270-261 | 040 | 3/4" BSP | Flange | • | | SK33 | 3298 | 1210-0001 | SP2701-21 | SP1002-02 |
| Navigator 38 | 4760 | 020 | 3/4" BSP | Flange | • | | SK228 | 2995-0030 | 673-0001 | SP2701-04 | SP1002-01 |
| Sea Lord 51 | 4760-01 | 020 | 3/4" BSP | Flange | • | | SK228 | 2995-0030 | 673-0001 | SP2701-04 | SP1002-01 |
| Sea Lord 51 | 3270-251 | 040 | 3/4" BSP | Flange | • | | SK33 | 3298 | 1210-0001 | SP2701-21 | SP1002-02 |
| Sea Lord 5.66 | 9700 | 080 | 1" Flanged | Flange | • | | SK238 | 890 | 17937-0001 | 22645-0000 | SP1003-01 |
| Sea Prince 3000S | 29500-1001 | 040 | Ø 28 Hose | Flange | | | SK384-0001 | 3298 | 1210-0001 | SP2700-1027 | SP1002-02 |
| Vedette Mk II-VI | 4760 | 020 | 3/4" BSP | Flange | • | | SK228 | 2995-0030 | 673-0001 | SP2701-04 | SP1002-01 |
| Vedette Mk VII | 11430-01 | 010 | 3/4" BSP | Flange | • | | SK272 | 11438 | 4528-0001 | SP2700-11 | SP1002-04 |
| Yeoman 36 | 4760-151 | 020 | 3/4" BSP | Flange | • | | SK228 | 2995-0030 | 673-0001 | SP2701-04 | SP1002-01 |
| 4.58 / 80 | 21140-200 | 080 | 1" BSP | Flange | • | 21140-2401 | SK229 | 890 | 17937-0001 | 22626-6000 | SP1003-09 |
| 6.97 / 120 | 21140-200 | 080 | 1" BSP | Flange | • | 21140-2401 | SK229 | 890 | 17937-0001 | 22626-6000 | SP1003-09 |
| 6.150 / 180 | 21140-200 | 080 | 1" BSP | Flange | • | 21140-2401 | SK229 | 890 | 17937-0001 | 22626-6000 | SP1003-09 |
| 6.150 / 180 | 21140-2401 | 080 | 1" BSP | Flange | | | SK229 | 890 | 17937-0001 | 22626-6000 | SP1003-09 |
| 1622 S | 6540-200 | 020 | 3/8" BSP | Foot | • | 51520-2001 | SK205 | 2995-0030 | 673-0001 | B22 | SP1002-01 |
| UNIVERSAL – USA | | | | | | | | | | | |
| Ford 1.4 | 52010-0051 | 010 | 3/8" NPT | Foot | • | | SK404-0101 | 29308-0000 | 22405-0001 | SP2701-0501 | X3001-095F |
| VALMET OY – FINLAND | | | | | | | | | | | |
| 310 DM / 411 DM | 3370-200 | 040 | 3/4" BSP | Flange | • | 9970-200 | SK33 | 3298 | 1210-0001 | SP2701-21 | SP1002-02 |
| 310 DM / 411 DM | 9970-200 | 040 | 3/4" BSP | Flange | | | SK229 | 3298 | 1210-0001 | 22626-6000 | SP1002-02 |
| 411 / 611 CM / CSM | 9700-21 | 080 | 1" Flanged | Flange | | 29600-1001 | SK238 | 890 | 17937-0001 | SP6080-06 | SP1003-01 |
| 411 / 611 CM / CSM | 29600-1001 | 080 | Ø 32 Hose | Flange | | New Pipework | SK385-0101 | 890 | 17937-0001 | SP6080-0469 | SP1003-0111 |
| 615 / 815 DM | 10770-57 | 200 | 1-1/2" Flanged | Flange | | | SK230 | 816 | 836-0001 | 21849 | SP1005-04 |
| 4035 PM | 4760-41 | 020 | 3/4" BSP | Flange | • | | SK228 | 2995-0030 | 673-0001 | SP2701-04 | SP1002-01 |
| 6-cyl. | 29770-0001 | 200 | 1-1/2" Flanged | Flange | | | | 816 | 17935-0001 | 21849 | SP1095-0640 |
| 612DS | 29770-0001 | 200 | 1-1/2" Flanged | Flange | | | | 816 | 17935-0001 | 21849 | SP1095-0640 |

| JABSCO PUMP DETAILS | | | | | | | SERVICE KIT DETAILS | | | | |
|----------------------------|-------------------------|------|------------|------------|----------|-----------------------|---------------------|------------------|------------|-------------|------------------|
| MODEL NUMBER | MODEL NUMBER * OEM ONLY | SIZE | PORT SIZE | MOUNT TYPE | OBSOLETE | ALTERNATE PUMP NUMBER | NUMBER | END COVER GASKET | IMPELLER | WATER SEAL | END COVER SCREWS |
| VETUS – NETHERLANDS | | | | | | | | | | | |
| C 4 / 6 | 23430-1401 | 080 | Ø 32 Hose | Flange | | | SK385-0001 | 890 | 17937-0001 | SP2700-1027 | SP1003-0111 |
| K 3 / 3D / 4 | 29470-2131C | 020 | 3/8" BSP | Flange | • | | SK405-0001 | 29476-0000 | 18653-0001 | SP2701-1006 | X3004-095G |
| L 2 / 3 | 29460-1251 | 020 | Ø 20 Hose | Flange | • | 29460-10-1051 | SK401-0001 | 2995-0030 | 18653-0001 | SP2701-1006 | SP1002-01 |
| M 2.05 | 29460-1201 | 020 | Ø 20 Hose | Flange | • | 29460-10-1051 | SK401-0001 | 2995-0030 | 18653-0001 | SP2701-1006 | SP1002-01 |
| M 3.10 | 29480-2031C | 020 | 3/8" BSP | Flange | • | 29460-10-1051 | SK405-0001 | 29476-0000 | 18653-0001 | SP2701-1006 | X3004-095G |
| M 4.14 | 3270-2301 | 040 | 3/4" BSP | Flange | • | | SK33 | 3298 | 1210-0001 | SP2701-21 | SP1002-02 |
| P 4.25 | 23430-1441 | 080 | Ø 32 Hose | Flange | | | SK385-0001 | 890 | 17937-0001 | SP2700-1027 | SP1003-0111 |
| STM 6514 | 29530-2001 | 040 | 3/4" BSPF | Crank | | | | 3298 | 1210-0001 | SP2700-1027 | X3001-095F |
| 36-22-11 | 3270-2301 | 040 | 3/4" BSP | Flange | • | | SK33 | 3298 | 1210-0001 | SP2701-21 | SP1002-02 |
| 42-26-Series | 3270-2301 | 040 | 3/4" BSP | Flange | • | | SK33 | 3298 | 1210-0001 | SP2701-21 | SP1002-02 |
| 52-34-Series | 3270-2301 | 040 | 3/4" BSP | Flange | • | | SK33 | 3298 | 1210-0001 | SP2701-21 | SP1002-02 |
| DT43 | 29680-1051 | 080 | Ø 32 Hose | Flange | | | | 890 | 17937-0001 | SP6080-0469 | X3001-147F |
| DTA43 | 29680-1051 | 080 | Ø 32 Hose | Flange | | | | 890 | 17937-0001 | SP6080-0469 | X3001-147F |
| DT64 | 29680-1041 | 080 | Ø 32 Hose | Flange | | | | 890 | 17937-0001 | SP6080-0469 | X3001-147F |
| DTA64 | 29680-1041 | 080 | Ø 32 Hose | Flange | | | | 890 | 17937-0001 | SP6080-0469 | X3001-147F |
| DT67 | 29680-1041 | 080 | Ø 32 Hose | Flange | | | | 890 | 17937-0001 | SP6080-0469 | X3001-147F |
| DTA67 | 29680-1041 | 080 | Ø 32 Hose | Flange | | | | 890 | 17937-0001 | SP6080-0469 | X3001-147F |
| M 4.15 / M 4.17 | 29460-10-1041 | 020 | Ø 20 Hose | Flange | | | - | X5251-049 | 653-0001 | SP2701-1006 | x3001-174F |
| M 2 / M 3 | 29460-10-1051 | 020 | Ø 20 Hose | Flange | | | - | X5251-049 | 653-0001 | SP2701-1006 | x3001-174F |
| VM-MOTORI – ITALY | | | | | | | | | | | |
| 102 MH-Series | 11000-01 | 020 | Ø 16 Hose | Flange | • | | SK211 | 10817 | 673-0001 | SP2701-04 | SP1002-09 |
| 103 / 4 / 6 MH-Series | 29500-1001 | 040 | Ø 28 Hose | Flange | | | SK384-0001 | 3298 | 1210-0001 | SP2700-1027 | SP1002-02 |
| 106 M11 | 11000-01 | 020 | Ø 16 Hose | Flange | • | | SK211 | 10817 | 673-0001 | SP2701-04 | SP1002-09 |
| 114 / 6 MH | 9700-21 | 080 | 1" Flanged | Flange | | 29600-1001 | SK238 | 890 | 17937-0001 | SP6080-06 | SP1003-01 |
| 114 / 6 MH | 29600-1001 | 080 | Ø 32 Hose | Flange | | New Pipework | SK385-0101 | 890 | 17937-0001 | SP6080-0469 | SP1003-0111 |
| 116 DAN M | 29500-1001 | 040 | Ø 28 Hose | Flange | | | SK384-0001 | 3298 | 1210-0001 | SP2700-1027 | SP1002-02 |

11 Flexible Impeller Pumps

COOLING PUMP SPARES BY MAKE OF ENGINE



| JABSCO PUMP DETAILS | | | | | | | SERVICE KIT DETAILS | | | | |
|-----------------------------|-------------------------|------|----------------|------------|----------|-----------------------|---------------------|------------------|------------|-------------|------------------|
| MODEL NUMBER | MODEL NUMBER * OEM ONLY | SIZE | PORT SIZE | MOUNT TYPE | OBSOLETE | ALTERNATE PUMP NUMBER | NUMBER | END COVER GASKET | IMPELLER | WATER SEAL | END COVER SCREWS |
| HR-Series | 23430-1001 | 080 | Ø 32 Hose | Flange | | | SK385-0001 | 890 | 17937-0001 | SP2700-1027 | SP1003-0111 |
| HR 694 HID10 | 29700-1301 | 120 | Ø 45 Hose | Flange | | | SK386-0001 | 890 | 17018-0001 | SP6080-0469 | SP1003-0111 |
| 804 / 806 M | 29500-1001 | 040 | Ø 28 Hose | Flange | | | SK384-0001 | 3298 | 1210-0001 | SP2700-1027 | SP1002-02 |
| 956 M11 | 11000-01 | 020 | Ø 16 Hose | Flange | • | | SK211 | 10817 | 673-0001 | SP2701-04 | SP1002-09 |
| 130 MH 14-Series | 10880-0101 | 200 | 1-1/2" Flanged | Flange | • | | SK230 | 816 | 836-0001 | 21849 | SP1005-04 |
| 131 MH 14-Series | 11100-0101 | 270 | 2" Flanged | Flange | • | | SK254 | 816 | 21676-0001 | 21849 | SP1005-04 |
| VOLVO PENTA – SWEDEN | | | | | | | | | | | |
| AQ 95 | 9900 | 020 | Ø 16 Hose | Foot | • | 29470-2231C | SK211 | 10817 | 673-0001 | SP2701-04 | SP1002-09 |
| AQ 95 | 29470-2231C | 020 | 3/8" BSP | Flange | | | SK405-0001 | 29476-0000 | 18653-0001 | SP2701-1006 | X3004-095G |
| AQ 110 / 115 / BB 115 | 9900 | 020 | Ø 16 Hose | Foot | • | 29470-2231C | SK211 | 10817 | 673-0001 | SP2701-04 | SP1002-09 |
| AQ 110 / 115 / BB 115 | 29470-2231C | 020 | 3/8" BSP | Flange | | | SK405-0001 | 29476-0000 | 18653-0001 | SP2701-1006 | X3004-095G |
| AQ 115 A / B | 29470-1231 | 020 | Ø 16 Hose | Flange | • | | SK405-0001 | 29476-0000 | 18653-0001 | SP2701-1006 | X3004-095G |
| AQ 130 C / D | 9900 | 020 | Ø 16 Hose | Foot | • | 29470-2231C | SK211 | 10817 | 673-0001 | SP2701-04 | SP1002-09 |
| AQ 130 C / D | 29470-2231C | 020 | 3/8" BSP | Flange | | | SK405-0001 | 29476-0000 | 18653-0001 | SP2701-1006 | X3004-095G |
| AQ 130 C / D | 29470-1231 | 020 | Ø 16 Hose | Flange | • | | SK405-0001 | 29476-0000 | 18653-0001 | SP2701-1006 | X3004-095G |
| AQ 140 | 9900 | 020 | Ø 16 Hose | Foot | • | 29470-2231C | SK211 | 10817 | 673-0001 | SP2701-04 | SP1002-09 |
| AQ 140 | 29470-2231C | 020 | 3/8" BSP | Flange | | | SK405-0001 | 29476-0000 | 18653-0001 | SP2701-1006 | X3004-095G |
| AQ 140 | 29470-1231 | 020 | Ø 16 Hose | Flange | • | | SK405-0001 | 29476-0000 | 18653-0001 | SP2701-1006 | X3004-095G |
| AQ 140 A | 10-32621-1 | | | | | Johnson Pump | | | 4568-0001 | | |
| AQ 145 A / B | 10-32621-1 | | | | | Johnson Pump | | | 4568-0001 | | |
| AQ 150 | 14620 | 080 | 1" Hose | Flange | • | | SK153 | 890 | 4598-0001 | SP6080-08B | SP1014-03 |
| AQ 151 A / B / C | 10-32621-1 | | | | | Johnson Pump | | | 4568-0001 | | |
| AQ 175 A | 22740-0251 | 060 | Ø 32 Hose | Crank | • | 22740-0151 | SK331-0251 | 3298 | 22120-0001 | SP2701-21 | SP8019-01 |
| AQ 175 A | 22740-0151 | 060 | Ø 32 Hose | Crank | • | | SK331-05 | 3298 | 22120-0001 | SP2701-21 | SP8019-01 |
| AQ 180 | 10550-01 | 040 | 3/4" NPT | Foot | • | | SK239 | 3298 | 1210-0001 | 22626-6000 | SP1002-02 |
| AQ 200 | 22300-05 | 060 | Ø 32 Hose | Crank | • | | SK331-05 | 3298 | 22120-0001 | SP6080-08B | SP8019-01 |
| AQ 200 D | 22740-0251 | 060 | Ø 32 Hose | Crank | • | 22740-0151 | SK331-0251 | 3298 | 22120-0001 | SP2701-21 | SP8019-01 |
| AQ 200 D | 22740-0151 | 060 | Ø 32 Hose | Crank | • | | SK331-05 | 3298 | 22120-0001 | SP2701-21 | SP8019-01 |
| AQ 200 D-280 / 225 | 22300-05 | 060 | Ø 32 Hose | Crank | • | | SK331-05 | 3298 | 22120-0001 | SP6080-08B | SP8019-01 |

| JABSCO PUMP DETAILS | | | | | | | SERVICE KIT DETAILS | | | | |
|---------------------|-------------------------|------|-----------|------------|----------|-----------------------|---------------------|--------------------------------------|------------|-------------|------------------|
| MODEL NUMBER | MODEL NUMBER * OEM ONLY | SIZE | PORT SIZE | MOUNT TYPE | OBSOLETE | ALTERNATE PUMP NUMBER | NUMBER | END COVER GASKET | IMPELLER | WATER SEAL | END COVER SCREWS |
| AQ 225 D | 22740-0251 | 060 | Ø 32 Hose | Crank | • | 22740-0151 | SK331-0251 | 3298 | 22120-0001 | SP2701-21 | SP8019-01 |
| AQ 225 D | 22740-0151 | 060 | Ø 32 Hose | Crank | • | | SK331-05 | 3298 | 22120-0001 | SP2701-21 | SP8019-01 |
| AQ 225 B / D-280 | 22300-05 | 060 | Ø 32 Hose | Crank | • | | SK331-05 | 3298 | 22120-0001 | SP6080-08B | SP8019-01 |
| AQ 250 | 22300-05 | 060 | Ø 32 Hose | Crank | • | | SK331-05 | 3298 | 22120-0001 | SP6080-08B | SP8019-01 |
| AQ 260 A | 22740-0251 | 060 | Ø 32 Hose | Crank | • | 22740-0151 | SK331-0251 | 3298 | 22120-0001 | SP2701-21 | SP8019-01 |
| AQ 260 B | 22740-0151 | 060 | Ø 32 Hose | Crank | • | | SK331-05 | 3298 | 22120-0001 | SP2701-21 | SP8019-01 |
| AQ 270 | 22300-05 | 060 | Ø 32 Hose | Crank | • | | SK331-05 | 3298 | 22120-0001 | SP6080-08B | SP8019-01 |
| AQ 290 A | 22740-0251 | 060 | Ø 32 Hose | Crank | • | 22740-0151 | SK331-0251 | 3298 | 22120-0001 | SP2701-21 | SP8019-01 |
| AQ 290 A | 22740-0151 | 060 | Ø 32 Hose | Crank | • | | SK331-05 | 3298 | 22120-0001 | SP2701-21 | SP8019-01 |
| AQ 740 Big Block | 22740-0201 | 060 | Ø 32 Hose | Crank | • | | SK331-0251 | 3298 | 22120-0001 | SP2701-21 | SP8019-01 |
| AQD 21A | 10-32058-1 | 040 | | | | Johnson Pump | | | 4568-0001 | | |
| AQD 21B | 10-32058-1 | 040 | | | | Johnson Pump | | | 4568-0001 | | |
| AQD 40A | 10800-21 | 080 | 1" NPSF | Flange | • | | SK229 | 890 | 17937-0001 | 22617-0010 | SP1003-09 |
| | 10-24277-1 | 080 | 1" NPSF | Flange | | Johnson Pump | | | 17937-0001 | | |
| BB 30 | 9900 | 020 | Ø 16 Hose | Foot | • | 29470-2231C | SK211 | 10817 | 673-0001 | SP2701-04 | SP1002-09 |
| BB 30 | 29470-2231C | 020 | 3/8" BSP | Flange | | | SK405-0001 | 29476-0000 | 18653-0001 | SP2701-1006 | X3004-095G |
| BB 70 | 6490-246 | 040 | 1/2" BSP | Foot | • | 6490-224 | SK225-01 | Use 23299 Kit to upgrade to 6490-224 | | | |
| BB 100 | 6490-246 | 040 | 1/2" BSP | Foot | • | 6490-224 | SK225-01 | Use 23299 Kit to upgrade to 6490-224 | | | |
| MB 10A | 11260-2101 | 010 | 3/8" BSP | Flange | • | 29300-2201C | SK266 | 1126 | 4528-0001 | SP2701-04 | SP1002-01 |
| MB 10A / 11 | 29300-2201C | 010 | 3/8" BSP | Flange | • | | SK404-0001 | 29308-0000 | 22405-0001 | SP2701-1006 | X3004-095G |
| MB 16A | 9400 | 020 | Ø 16 Hose | Flange | • | | SK211 | 10817 | 673-0001 | SP2701-04 | SP1002-09 |
| MB 36A | 6490-241 | 040 | 1/2" BSP | Foot | • | 6490-222 | SK225-01 | Use 23299 Kit to upgrade to 6490-224 | | | |
| MB 36B | 10550-01 | 040 | 3/4" NPT | Foot | • | | SK239 | 3298 | 1210-0001 | 22626-6000 | SP1002-02 |
| MBN 40 | 21770 | 040 | Ø 32 Hose | Flange | • | | SK309 | 4908 | 4568-0001 | SP2701-01 | SP1003-09 |
| MD 1 / 1A / 1B | 11260-2101 | 010 | 3/8" BSP | Flange | • | 29300-2201C | SK266 | 1126 | 4528-0001 | SP2701-04 | SP1002-01 |
| MD 1 KHD / HY / 2 | 11260-2101 | 010 | 3/8" BSP | Flange | • | 29300-2201C | SK266 | 1126 | 4528-0001 | SP2701-04 | SP1002-01 |
| MD 1 KHD / HY / 2 | 29300-2201C | 010 | 3/8" BSP | Flange | • | | SK404-0001 | 29308-0000 | 22405-0001 | SP2701-1006 | X3004-095G |
| MD2 / 2B | 29300-2201C | 010 | 3/8" BSP | Flange | • | | SK404-0001 | 29308-0000 | 22405-0001 | SP2701-1006 | X3004-095G |

11 Flexible Impeller Pumps

COOLING PUMP SPARES BY MAKE OF ENGINE



| JABSCO PUMP DETAILS | | | | | | | SERVICE KIT DETAILS | | | | |
|---------------------|-------------------------|------|----------------|------------|----------|-----------------------|---------------------|------------------|------------|-------------|------------------|
| MODEL NUMBER | MODEL NUMBER * OEM ONLY | SIZE | PORT SIZE | MOUNT TYPE | OBSOLETE | ALTERNATE PUMP NUMBER | NUMBER | END COVER GASKET | IMPELLER | WATER SEAL | END COVER SCREWS |
| MD 2 BHY | 11260-2101 | 010 | 3/8" BSP | Flange | • | 29300-2201C | SK266 | 1126 | 4528-0001 | SP2701-04 | SP1002-01 |
| MD 2 BHY | 29300-2201C | 010 | 3/8" BSP | Flange | • | | SK404-0001 | 29308-0000 | 22405-0001 | SP2701-1006 | X3004-095G |
| MD 3 | 9900 | 020 | Ø 16 Hose | Foot | • | 29470-2231C | SK211 | 10817 | 673-0001 | SP2701-04 | SP1002-09 |
| MD 3 | 29470-2231C | 020 | 3/8" BSP | Flange | | | SK405-0001 | 29476-0000 | 18653-0001 | SP2701-1006 | X3004-095G |
| MD 3 | 29470-1231C | 020 | Ø 16 Hose | Flange | | | SK405-0001 | 29476-0000 | 18653-0001 | SP2701-1006 | X3004-095G |
| MD 5A / B / C | 29300-2201C | 010 | 3/8" BSP | Flange | • | | SK404-0001 | 29308-0000 | 22405-0001 | SP2701-1006 | X3004-095G |
| MD 6A / B | 11260-2101 | 010 | 3/8" BSP | Flange | • | 29300-2201C | SK266 | 1126 | 4528-0001 | SP2701-04 | SP1002-01 |
| MD 7A / B | 11260-2101 | 010 | 3/8" BSP | Flange | • | 29300-2201C | SK266 | 1126 | 4528-0001 | SP2701-04 | SP1002-01 |
| MD 10A / 11 | 29300-2001C | 010 | 3/8" BSP | Flange | • | | SK404-0001 | 29308-0000 | 22405-0001 | SP2701-1006 | X3004-095G |
| MD11 C | 29300-2001C | 010 | 3/8" BSP | Flange | • | | SK404-0001 | 29308-0000 | 22405-0001 | SP2701-1006 | X3004-095G |
| MD11 D | 29300-2001C | 010 | 3/8" BSP | Flange | • | | SK404-0001 | 29308-0000 | 22405-0001 | SP2701-1006 | X3004-095G |
| MD 21A | 10-32058-1 | 040 | | Flange | | Johnson Pump | | | 4568-0001 | | |
| MD 21B | 10-32058-1 | 040 | | Flange | | Johnson Pump | | | 4568-0001 | | |
| MD 22 | 29500-1001 | 040 | Ø 28 Hose | Flange | | | SK384-0001 | 3298 | 1210-0001 | SP2700-1027 | SP1002-02 |
| MD22 / SX | 29540-1001 | 040 | Ø 28 Hose | Foot | • | | SK384-0101 | 3298 | 1210-0001 | SP2700-1027 | X3001-095F |
| MD 32A | 10800-21 | 080 | 1" NPSF | Flange | • | | SK229 | 890 | 17937-0001 | 22617-0010 | SP1003-09 |
| MD40A | 10-24277-1 | 080 | 1" NPSF | Flange | | Johnson Pump | | | 17937-0001 | | |
| MD 47A / C | 9710-200 | 080 | 1" BSP | Foot | | | SK229 | 890 | 17937-0001 | 22626-6000 | SP1003-09 |
| MD 47B | 9770-205 | 080 | 3/4" BSP | Barrel | • | | SK229 | 890 | 17937-0001 | 22626-6000 | SP1003-09 |
| MD 50A | 11120-204 | 080 | 1" BSP | Flange | • | | SK229 | 890 | 17937-0001 | 22626-6000 | SP1003-09 |
| MD 67C | 9770-205 | 080 | 3/4" BSP | Barrel | • | | SK229 | 890 | 17937-0001 | 22626-6000 | SP1003-09 |
| MD 70A | 11120-204 | 080 | 1" BSP | Flange | • | | SK229 | 890 | 17937-0001 | 22626-6000 | SP1003-09 |
| MD 70 | 11120-205 | 080 | 1" BSP | Flange | • | | SK229 | 890 | 17937-0001 | 22626-6000 | SP1003-09 |
| MD 71 | 10770-0051 | 200 | 1-1/2" Flanged | Flange | • | | SK369-0001 | 816 | 836-0001 | 21849 | SP1095-0640 |
| MD 71 | 10770-0351 | 200 | 1-1/2" Flanged | Flange | | | SK230 | 816 | 836-0001 | 21849 | SP1005-04 |
| MD 96B | 9710-200 | 080 | 1" BSP | Foot | | | SK229 | 890 | 17937-0001 | 22626-6000 | SP1003-09 |
| MD 2010 | 29350-1101 | 010 | Ø 20 Hose | Flange | | | SK23-0101 | 1126 | 4528-0001 | SP2701-14 | SP1002-01 |
| MD 2020 | 29350-1101 | 010 | Ø 20 Hose | Flange | | | SK23-0101 | 1126 | 4528-0001 | SP2701-14 | SP1002-01 |
| MD 2030 | 29450-1301 | 020 | Ø 20 Hose | Flange | | | SK387-0001 | 2995-0030 | 673-0001 | SP2700-05 | SP1002-01 |

| JABSCO PUMP DETAILS | | | | | | | SERVICE KIT DETAILS | | | | |
|---------------------|-------------------------|------|----------------|------------|----------|-----------------------|---------------------|------------------|------------|-------------|------------------|
| MODEL NUMBER | MODEL NUMBER * OEM ONLY | SIZE | PORT SIZE | MOUNT TYPE | OBSOLETE | ALTERNATE PUMP NUMBER | NUMBER | END COVER GASKET | IMPELLER | WATER SEAL | END COVER SCREWS |
| MD 2040 | 29450-1401 | 020 | Ø 20 Hose | Flange | | | SK387-0001 | 2995-0030 | 673-0001 | SP2700-05 | SP1002-01 |
| TAMD 22 / SX | 29540-1001 | 040 | Ø 28 Hose | Foot | • | | SK384-0101 | 3298 | 1210-0001 | SP2700-1027 | X3001-095F |
| TAMD 60 | 11120-205 | 080 | 1" BSP | Flange | • | | SK229 | 890 | 17937-0001 | 22626-6000 | SP1003-09 |
| TAMD 61 | 10770-0051 | 200 | 1-1/2" Flanged | Flange | • | | SK369-0001 | 816 | 836-0001 | 21849 | SP1095-0640 |
| TAMD 61 | 10770-0351 | 200 | 1-1/2" Flanged | Flange | | | SK230 | 816 | 836-0001 | 21849 | SP1005-04 |
| TAMD 70 | 11120-205 | 080 | 1" BSP | Flange | • | | SK229 | 890 | 17937-0001 | 22626-6000 | SP1003-09 |
| TAMD 71 | 10770-0051 | 200 | 1-1/2" Flanged | Flange | • | | SK369-0001 | 816 | 836-0001 | 21849 | SP1095-0640 |
| TAMD 71 | 10770-0351 | 200 | 1-1/2" Flanged | Flange | | | SK230 | 816 | 836-0001 | 21849 | SP1005-04 |
| TAMD 96B | 9710-200 | 080 | 1" BSP | Foot | | | SK229 | 890 | 17937-0001 | 22626-6000 | SP1003-09 |
| TAMD 102 | 10590-0031 | 270 | 2" Flanged | Flange | • | | SK254 | 816 | 21676-0001 | 21849 | SP1005-04 |
| TMD22 / SX | 29540-1001 | 040 | Ø 28 Hose | Foot | • | | SK384-0101 | 3298 | 1210-0001 | SP2700-1027 | X3001-095F |
| TMD40A | 10-24277-1 | 080 | 1" BSP | Flange | | Johnson Pump | | | 17937-0001 | | |
| TMD40B | 10-24277-1 | 080 | 1" BSP | Flange | | Johnson Pump | | | 17937-0001 | | |
| TMD 50A | 11120-204 | 080 | 1" BSP | Flange | • | | SK229 | 890 | 17937-0001 | 22626-6000 | SP1003-09 |
| TMD 70 | 11120-205 | 080 | 1" BSP | Flange | • | | SK229 | 890 | 17937-0001 | 22626-6000 | SP1003-09 |
| TMD 71 | 10770-0051 | 200 | 1-1/2" Flanged | Flange | • | | SK369-0001 | 816 | 836-0001 | 21849 | SP1095-0640 |
| TMD 71 | 10770-0351 | 200 | 1-1/2" Flanged | Flange | | | SK230 | 816 | 836-0001 | 21849 | SP1005-04 |
| TMD 96B | 9710-200 | 080 | 1" BSP | Foot | | | SK229 | 890 | 17937-0001 | 22626-6000 | SP1003-09 |
| TMD 100A / C | 10590-0041 | 270 | 2" Flanged | Flange | • | | SK254 | 816 | 21676-0001 | 21849 | SP1005-04 |
| TMD 120 B | 10590-0041 | 270 | 2" Flanged | Flange | • | | SK254 | 816 | 21676-0001 | 21849 | SP1005-04 |
| TMD 121 C | 10590-0041 | 270 | 2" Flanged | Flange | • | | SK254 | 816 | 21676-0001 | 21849 | SP1005-04 |
| 1113 BR | 9710-200 | 080 | 1" BSP | Foot | | | SK229 | 890 | 17937-0001 | 22626-6000 | SP1003-09 |
| D4 | 50380-1001* | 080 | Ø 38/45 Hose | Flange | | | | X5251-052 | 17937-0001 | SP6080-0469 | X3001-178F |
| D6 | 50390-1201* | 120 | Ø 45/50 Hose | Flange | | | | X5251-052 | 17018-0001 | SP6080-0469 | X3001-178F |
| D9 | 50430-0301* | 120 | Hose/Flange | Flange | | | | X4020-269A | 17018-0001 | SP6080-0469 | X3001-176F |
| D11 | 50590-0001* | 200 | Hose/Flange | Flange | | | | X4020-399A | 836-0001 | 21849 | X3001-178F |
| D13 | 50570-0001* | 300 | Flange | Flange | | | | X4020-399A | 17938-0001 | 21849 | X3001-176F |

11 Flexible Impeller Pumps

COOLING PUMP SPARES BY MAKE OF ENGINE



| JABSCO PUMP DETAILS | | | | | | | SERVICE KIT DETAILS | | | | |
|---------------------|-------------------------|------|-------------|------------|----------|-----------------------|---------------------|------------------|------------|------------|------------------|
| MODEL NUMBER | MODEL NUMBER * OEM ONLY | SIZE | PORT SIZE | MOUNT TYPE | OBSOLETE | ALTERNATE PUMP NUMBER | NUMBER | END COVER GASKET | IMPELLER | WATER SEAL | END COVER SCREWS |
| D13 Commercial | 50680-0031* | 300 | Flange | Flange | | | | X4020-399A | 17938-0001 | 21849 | X3001-176F |
| D16 | 50500-0001* | 300 | Flange | Flange | | | | X4020-399A | 17938-0001 | 21849 | X3001-176F |
| D16 Keel Cooled | 50530-0101* | 080 | Hose/Flange | Flange | | | | X4020-269A | 17937-0001 | 96080-0626 | X3001-178F |

WATERMOTA – UK

Sea-Series

| | | | | | | | | | | | |
|------------------|-------------|-----|-----------|--------|---|-------------|------------|------------|------------|-------------|-------------|
| Beaver / Cub | 52010-2051 | 010 | 3/8" BSP | Foot | • | | SK404-0101 | 29308-0000 | 22405-0001 | SP2701-0501 | X3001-095F |
| Horse | 21690 | 040 | Ø 20 Hose | Flange | • | | SK239 | 3298 | 1210-0001 | 22626-6000 | SP1002-02 |
| Horse | 21690-05 | 040 | Ø 20 Hose | Flange | • | | SK239 | 3298 | 1210-0001 | 22626-6000 | SP1002-02 |
| Lion | 10950-200 | 040 | 3/4" BSP | Flange | • | 10950-2401 | SK239 | 3298 | 1210-0001 | 22626-6000 | SP1002-02 |
| Lion | 10950-2401 | 040 | 3/4" BSP | Flange | | | SK239 | 3298 | 1210-0001 | 22626-6000 | SP1002-02 |
| Lion | 21140-201 | 080 | 1" BSP | Flange | • | 21140-2401 | SK229 | 890 | 17937-0001 | 22626-6000 | SP1003-09 |
| Lion | 21140-2401 | 080 | 1" BSP | Flange | | | SK229 | 890 | 17937-0001 | 22626-6000 | SP1003-09 |
| Leopard | 9900 | 020 | Ø 16 Hose | Foot | • | 29470-2231C | SK211 | 10817 | 673-0001 | SP2701-04 | SP1002-09 |
| Leopard | 29470-2231C | 020 | 3/8" BSP | Flange | | | SK405-0001 | 29476-0000 | 18653-0001 | SP2701-1006 | X3004-095G |
| Otter | 9430-211 | 010 | 1/4" BSP | Flange | • | 29300-2601C | SK221 | 1126 | 4528-0001 | SP2701-09 | SP1002-01 |
| Otter | 29300-2601C | 010 | 3/8" BSP | Flange | | | SK404-0001 | 29308-0000 | 22405-0001 | SP2701-1006 | X3004-095G |
| Panther Mk 3 / 4 | 9900 | 020 | Ø 16 Hose | Foot | • | 29470-2231C | SK211 | 10817 | 673-0001 | SP2701-04 | SP1002-09 |
| Panther Mk 3 / 4 | 29470-2231C | 020 | 3/8" BSP | Flange | | | SK405-0001 | 29476-0000 | 18653-0001 | SP2701-1006 | X3004-095G |
| Ranger | 23430-1201 | 080 | Ø 32 Hose | Flange | | | SK385-0001 | 890 | 17937-0001 | SP2700-1027 | SP1003-0111 |
| Scout | 10950-200 | 040 | 3/4" BSP | Flange | • | 10950-2401 | SK239 | 3298 | 1210-0001 | 22626-6000 | SP1002-02 |

| JABSCO PUMP DETAILS | | | | | | | SERVICE KIT DETAILS | | | | |
|-------------------------|-------------------------|------|-----------|------------|----------|-----------------------|---------------------|------------------|------------|-------------|------------------|
| MODEL NUMBER | MODEL NUMBER * OEM ONLY | SIZE | PORT SIZE | MOUNT TYPE | OBSOLETE | ALTERNATE PUMP NUMBER | NUMBER | END COVER GASKET | IMPELLER | WATER SEAL | END COVER SCREWS |
| Scout | 10950-2401 | 040 | 3/4" BSP | Flange | | | SK239 | 3298 | 1210-0001 | 22626-6000 | SP1002-02 |
| Scout | 21140-201 | 080 | 1" BSP | Flange | • | 21140-2401 | SK229 | 890 | 17937-0001 | 22626-6000 | SP1003-09 |
| Scout | 21140-2401 | 080 | 1" BSP | Flange | | | SK229 | 890 | 17937-0001 | 22626-6000 | SP1003-09 |
| Tiger / Wolf | 9430-211 | 010 | 3/4" BSP | Flange | • | 29300-2601C | SK221 | 1126 | 4528-0001 | SP2701-09 | SP1002-01 |
| Tiger / Wolf | 29300-2601C | 010 | 3/8" BSP | Flange | | | SK404-0001 | 29308-0000 | 22405-0001 | SP2701-1006 | X3004-095G |
| Tiger / Wolf | 9900 | 020 | Ø 16 Hose | Foot | • | 29470-2231C | SK211 | 10817 | 673-0001 | SP2701-04 | SP1002-09 |
| Tiger / Wolf | 29470-2231C | 020 | 3/8" BSP | Flange | | | SK405-0001 | 29476-0000 | 18653-0001 | SP2701-1006 | X3004-095G |
| Tiger / Wolf | 29410-1101 | 020 | Ø 20 Hose | Flange | • | | SK404-0001 | 29308-0000 | 18653-0001 | SP2701-1006 | X3004-095G |
| Series 11-30 / 50 | 22770 | 020 | Ø 25 Hose | Crank | • | 29440-1001 | SK346 | 1985-01 | 673-0001 | SP2701-21 | SP1004-09 |
| Series 11-30 / 50 | 29440-1001 | 020 | Ø 25 Hose | Crank | | | SK402-0001 | 1985-0000 | 18653-0001 | 29441-0000 | SP1004-09 |
| Inlander | 2620-253 | 020 | 3/8" BSP | Foot | • | | SK20 | 2995-0030 | 673-0001 | SP2700-05 | SP1002-02 |
| Type 5-16 | 9430-211 | 010 | 1/4" BSP | Flange | • | 29300-2601C | SK221 | 1126 | 4528-0001 | SP2701-09 | SP1002-01 |
| Type 5-16 | 29300-2601C | 010 | 3/8" BSP | Flange | | | SK404-0001 | 29308-0000 | 22405-0001 | SP2701-1006 | X3004-095G |
| WESTERBEKE – USA | | | | | | | | | | | |
| Generator Sets | | | | | | | | | | | |
| 8-10 kW | 52010-2051 | 010 | 3/8" NPT | Foot | • | | SK404-0101 | 29308-0000 | 22405-0001 | SP2701-0501 | X3001-095F |
| 10+ kW | 52020-2031 | 020 | 3/8" NPTF | Foot | • | | SK405-0101 | 2995-0030 | 18653-0001 | SP2701-0501 | X3001-095F |
| ZEISE – GERMANY | | | | | | | | | | | |
| Kubota Twin | 29460-2501 | 020 | 3/8" BSP | Flange | | | SK401-0001 | 2995-0030 | 18653-0001 | SP2701-1006 | SP1002-01 |

12 Impeller Replacement

INTRODUCTION



Jabsco – The Original Impeller



Jabsco Flexible Impellers can be fitted to most makes and models of bronze flexible impeller engine cooling, bilge, transfer and general purpose pumps.

Jabsco Flexible Impellers are subjected to rigorous quality processes to ensure reliable, efficient and long-lasting performance.

Impeller Replacement – The Basics

USE NEOPRENE IMPELLERS FOR ENGINE COOLING, and for fresh or salt water transfer duties. Neoprene is the most commonly used material and is suitable for use where only small amounts of oil or diesel fuel are present.

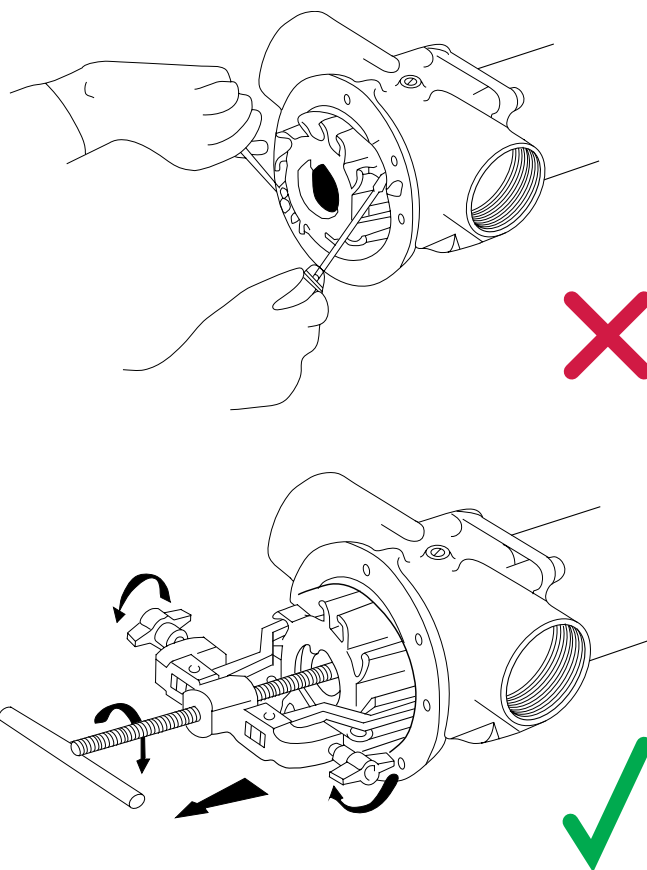
USE NITRILE IMPELLERS FOR BILGE PUMPING, and for transfer duties where the water is heavily contaminated, for example by oil or diesel. For diesel transfer duties, go to pages 68-69 and select a Jabsco Sliding Vane Pump.

REPLACE ALL IMPELLERS AT LEAST ONCE EVERY YEAR, or sooner, depending on the engine duty. When the installation is correct, an impeller may last for several years, but it is always advisable to stick to a schedule of preventive rather than corrective maintenance.

REPLACING IMPELLERS IS EASY. By removing the end cover screws, it is possible to remove the impeller by using either a Jabsco Impeller Removal Tool or channel lock pliers to grip the hub of the impeller. Don't use screwdrivers as they may damage the face of the pump body, causing leaks, and they can be dangerous in confined spaces.

ALWAYS CARRY SPARE IMPELLERS ON BOARD IN CASE OF EMERGENCY. The impeller is one of the most vital components of the engine cooling system and should always be treated as such.

ALWAYS GREASE NEW IMPELLERS. First, it makes it easier to install the impeller into the pump bore, and second, it gives added protection to the impeller during initial prime. After replacing the gasket and end cover the pump is ready to use.



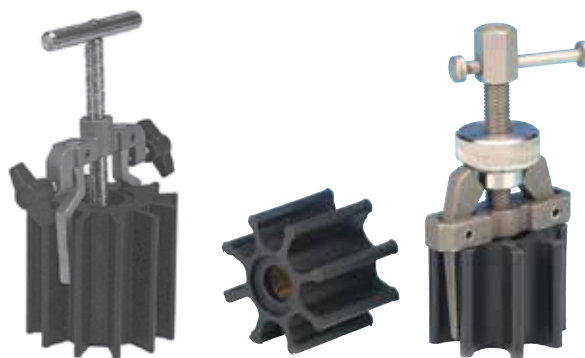
Flexible Impeller Removal Tool

The Flexible Impeller Removal Tool is the easiest way to remove impellers, especially when the pump is mounted in tight and cramped conditions.

- Simple, three stage operation easily removes the impeller.
- Removes the risk of expensive damage to the pump.
- Manufactured from corrosion-resistant cast aluminum and stainless steel.
- Two models fit all impellers.

| | |
|---------------|---|
| SIZE | 6" wide x 8" high (max) x 1" deep (15cm x 20cm x 2cm) |
| WEIGHT | 1.1lb (0.5kg) |

| MODEL | DESCRIPTION |
|------------|--|
| 50070-0040 | Suitable for impellers up to 2-1/2" (65mm) diameter |
| 50070-0200 | Suitable for impellers from 2-1/2" (65mm) to 4-1/2" (118mm) diameter |
| 50070-0080 | Compact version suitable for impellers up to 2-1/4" (57mm) diameter |



12 Impeller Replacement

IMPELLER SELECTION



Selecting Your Jabsco Replacement Impeller

There are several ways of identifying the part number of the correct Jabsco impeller if you do not already know it.

- If you have a Jabsco pump, the Jabsco impeller part number can be found on the data sheet that is delivered with each pump.
- If you have a Jabsco pump, but no data sheet, and you know the full pump model number, go to pages 162-217, Flexible Impeller Pump Spares by Pump Model, and read off the correct Jabsco impeller part number.
- If you have another brand of pump, and you know their impeller part number, go to Upgrade to a Jabsco Impeller at right, and check for a Jabsco replacement impeller part number.
- If you have the impeller in front of you, identify the impeller profile code letter by placing the impeller on the profiles on pages 268-271.
 - Go to pages 148-149, Selection Table by Profile.
 - Measure the depth (see Chart A).
 - Identify the drive (see Chart B).
 - Measure the shaft diameter (see Chart A).
 - Select the material.
 - Read off the part number.
- If you do not have the impeller in front of you, but you can ask someone who does:
 - Go to pages 150-151, Selection Table by Dimensions.
 - How many blades are there?
 - What is the outside diameter? (see Chart A).
 - What type of drive is it? (see Chart B).
 - What is the depth? (see Chart A).
 - What is the shaft diameter? (see Chart A).
 - Which material is needed?
 - Read off the part number.

CHART A – Measuring Your Impeller

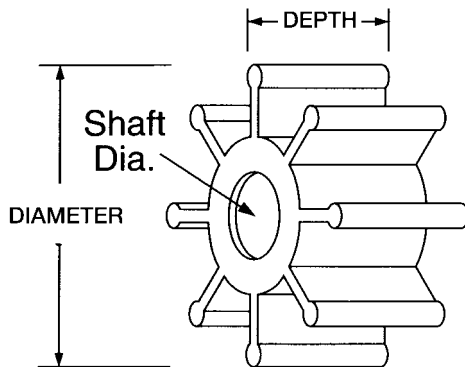
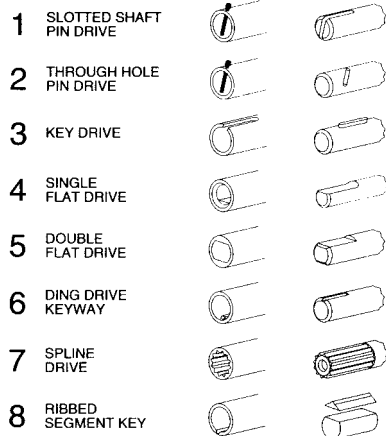


CHART B – Identifying the Impeller Drive



| JABSCO | VOLVO | YANMAR | YAMAHA |
|-------------|--|--------------|------------------|
| 653-0001 | | | |
| 673-0001 | 804696, 897055, 875808-8 | | |
| 673-0003 | | | |
| 836-0001 | | | |
| 836-0003 | | | |
| 920-0001 | 801277, 825941, 877061-2 | | |
| 920-0003 | | | |
| 1133-0001 | | | |
| 1210-0001 | 860203, 3856039-7, 875811-2 | 129470-42530 | |
| 1210-0003 | | | |
| 3085-0001 | | | |
| 4528-0001 | 803729, 875807-0, 876554-7 | 104211-42070 | |
| 4528-0003 | | | |
| 4568-0001 | 831182, 875575-3 | 124310-46090 | |
| 4568-0003 | | | |
| 4598-0001 | | | |
| 4598-0003 | | | |
| 6303-0001 | | | |
| 6303-0003 | | | |
| 6760-0001 | | | |
| 6760-0003 | | | |
| 13554-0001 | | | |
| 17935-0001 | 875660, 875736-1, 825942, 807904 | | |
| 17935-0003 | | | |
| 17936-0001 | 875814-6, 875697, 845796, 844683, 842857 | | |
| 17937-0001 | 801277, 825941, 877061-2 | 127610-42200 | |
| 17937-0003 | | | |
| 17954-0001* | | | |
| 18327-0001 | | | |
| 18673-0001 | | | |
| 18838-0001 | 835512-5 | | YSC-101-03-01-0C |
| 18948-0001 | 835874-9 | | 6TA-12457-00 |
| 18958-0001 | | | |
| 21414-0001 | | 128170-42070 | |
| 22120-0001 | 834794, 876120-7 | | |
| 22405-0001 | 875583-7, 833995 | | |
| 22799-0001 | | 124223-42091 | |
| 31130-0061 | | | |

*Has single flat drive, not spline.

Upgrade to a Jabsco Impeller

| | JOHNSON | SHERWOOD | VETUS | MERCUISER | CRUSADER | ANCOR | CEF | OBERDORFER | ONAN | PERKINS USA |
|--|------------|----------|----------|--------------|----------|---------|--------|------------|----------|-----------------------|
| | 09-810B | | IMP00801 | | | | 500101 | | | |
| | 09-1026B | | | | | | 500116 | | | |
| | 09-1026B-9 | | | | | | 500216 | | | |
| | 09-1029B | | IMP00901 | | | J050005 | 500105 | | | |
| | 09-1029B-9 | | | | | J050405 | 500205 | | | |
| | 09-1028B | | | | | | 500106 | | | |
| | | | | | | | 500206 | | | |
| | 09-1028B-9 | | | | | J050001 | | | | |
| | 09-1027B | | IMP00201 | | | J050007 | 500107 | | 132-0162 | 0460038 |
| | 09-1027B-9 | | | | | J050407 | 500207 | | | |
| | | | | | | | | | | 24880190 |
| | 09-806B | 9979 | IMP00501 | | | J050010 | 500100 | | 132-0859 | 24990272 |
| | | | | | | | 500201 | | | |
| | 09-801B | | | | | | 500108 | | | |
| | | | | | | | 500208 | | | |
| | | | | | | | 500102 | 6603 | | |
| | | | | | | | 500202 | | | |
| | | | | | | | 500110 | 6617 | | |
| | 09-824P | | | | | J050011 | 500210 | | | |
| | 09-802B | | | | | JP50015 | 500145 | | | |
| | | | | | | | 500245 | | | |
| | 09-812B | | | | | | | | | |
| | 09-819B | | | | | J050035 | 500135 | 7054 | | |
| | 09-819B-9 | | | | | J050435 | | | | |
| | 09-814B | | IMP00801 | | | J050045 | 500145 | | | 0460027 |
| | 09-1028B | 18200 | IMP00301 | | | J050009 | 500114 | 7441 | | 0460024, 24880031 |
| | | | | | | | | | | |
| | | | | | | | 500214 | | | |
| | | 15000 | | | | | | | | |
| | | | | | | | | | | 24880194 |
| | | 9959 | | | 1003026 | J050003 | 500103 | | 132-0317 | NA900010, 24880178 |
| | | 10615 | | | 20300 | J050020 | 500120 | 8922 | | NA900012 |
| | | | | | | J050013 | 500113 | | | |
| | | | | | | J050022 | 500104 | | | |
| | 09-808B | | IMP00601 | | | J050021 | 500121 | | | |
| | | | IMP00101 | | | J050016 | 500129 | | | |
| | | | | 47-831311350 | | | | | | |

12 Impeller Replacement

SELECTION TABLE BY PROFILE



| IMPELLER TYPE | MODEL NUMBER | MATERIAL | DRIVE TYPE | NUMBER OF BLADES | DIMENSIONS | | | | SHAFT DIAMETER | | INSERT MATERIAL | |
|---|--|----------|---------------|---------------------|------------|-----|---------|-----|----------------|-------|--------------------|--|
| | | | | | DIAMETER | | WIDTH | | INCHES | mm | | |
| | | | | | INCHES | mm | INCHES | mm | | | | |
| A | 1414-0001-P | Neoprene | 4 | 6 | 1-1/4 | 32 | 15/32 | 12 | 5/16 | 8 | Brass* | |
| | 1414-0003-P | Nitrile | 4 | 6 | 1-1/4 | 32 | 15/32 | 12 | 5/16 | 8 | Brass* | |
| | 12104-0001B | Neoprene | 2 | 6 | 1-1/4 | 32 | 15/32 | 12 | 5/16 | 8 | Brass | |
| | 21414-0001-P | Neoprene | 4 | 6 | 1-1/4 | 32 | 15/32 | 12 | 5/16 | 8 | Brass | |
| (for use with Yanmar 1GM10 Marine Engines) | | | | | | | | | | | | |
| B | 14750-0001B | Neoprene | 4 | 8 | 1-1/4 | 32 | 15/32 | 12 | 5/16 | 8 | Brass* | |
| | 14750-0003-P | Nitrile | 4 | 8 | 1-1/4 | 32 | 15/32 | 12 | 5/16 | 8 | Brass* | |
| C | 14609-0001B | Neoprene | 4 | 6 | 1-1/4 | 32 | 15/32 | 12 | 5/16 | 8 | Brass* | |
| | 14609-0003 | Neoprene | 4 | 6 | 1-1/4 | 32 | 15/32 | 12 | 5/16 | 8 | Brass* | |
| | 14787-0001B | Neoprene | 4 | 6 | 1-1/4 | 32 | 15/32 | 12 | 5/16 | 8 | Plastic* | |
| CC | 31130-0061-P | Neoprene | 7 | 10 | 2-19/32 | 66 | 2-11/16 | 68 | 5/8 | 16 | Brass†† | |
| D | 4528-0001-P | Neoprene | 1 or 2 | 6 | 1-9/16 | 40 | 3/4 | 19 | 3/8 | 10 | Brass | |
| | 4528-0003-P | Nitrile | 1 or 2 | 6 | 1-9/16 | 40 | 3/4 | 19 | 3/8 | 10 | Brass | |
| | 17255-0003-P | Nitrile | – | 6 | 1-9/16 | 40 | 3/4 | 19 | 1/4 | 6 | None† | |
| | 22405-0001-P | Neoprene | 1 | 6 | 1-9/16 | 40 | 3/4 | 19 | 15/32 | 12 | Brass | |
| F | 9200-0011B | Neoprene | 4 | 10 | 1-19/32 | 41 | 3/4 | 19 | 5/16 | 8 | Plastic* | |
| | 9200-0003B | Nitrile | 4 | 10 | 1-19/32 | 41 | 3/4 | 19 | 5/16 | 8 | Plastic* | |
| | 9200-0021B | Neoprene | 4 | 10 | 1-19/32 | 41 | 3/4 | 19 | 5/16 | 8 | Brass | |
| | 9200-0023-P | Nitrile | 4 | 10 | 1-19/32 | 41 | 3/4 | 19 | 5/16 | 8 | Brass | |
| G | 653-0001-P | Neoprene | 1 | 6 | 2 | 51 | 7/8 | 22 | 15/32 | 12 | Brass | |
| | 673-0001-P | Neoprene | 1 or 2 | 6 | 2 | 51 | 7/8 | 22 | 1/2 | 13 | Brass | |
| | (673 Series impellers may be replaced with the newer 18673 Series – see Impeller Type I) | | | | | | | | | | | |
| | 4527-0003B | Nitrile | 2 | 6 | 2 | 51 | 7/8 | 22 | 5/16 | 8 | None | |
| | 5616-0001-P | Neoprene | 6 | 6 | 2 | 51 | 7/8 | 22 | 1/2 | 13 | Brass | |
| | 7273-0001-P | Neoprene | 4 | 6 | 2 | 51 | 7/8 | 22 | 5/16 | 8 | Plastic | |
| | 7273-0003-P | Nitrile | 4 | 6 | 2 | 51 | 7/8 | 22 | 5/16 | 8 | Plastic | |
| 22799-0001-P | Neoprene | 3 | 6 | 2 | 51 | 7/8 | 22 | 1/2 | 13 | Brass | | |
| GG | 18958-0001-P | Neoprene | 3 | 12 | 3-1/4 | 83 | 2-57/64 | 73 | 25/32 | 21 | Brass | |
| H | 6303-0001-P | Neoprene | 4 | 6 | 2 | 51 | 7/8 | 22 | 5/16 | 8 | Plastic | |
| | 6303-0003-P | Nitrile | 4 | 6 | 2 | 51 | 7/8 | 22 | 5/16 | 8 | Plastic | |
| | 6303-0007-P | Urethane | 4 | 6 | 2 | 51 | 7/8 | 22 | 5/16 | 8 | Plastic | |
| | 17486-0001 | Neoprene | 6 | 6 | 2 | 51 | 7/8 | 22 | 1/2 | 13 | Brass** | |
| HH | 18777-0001-P | Neoprene | 7 | 10 | 2-1/4 | 57 | 2 | 51 | 5/8 | 16 | Brass | |
| I | 18653-0001-P | Neoprene | 1 | 10 | 2 | 51 | 7/8 | 22 | 5/32 | 12 | Brass | |
| | 18673-0001-P | Neoprene | 1 or 2 | 10 | 2 | 51 | 7/8 | 22 | 1/2 | 13 | Brass | |
| | 18673-0003-P | Nitrile | 1 or 2 | 10 | 2 | 51 | 7/8 | 22 | 1/2 | 13 | Brass | |
| K | 1210-0001-P | Neoprene | 7 | 12 | 2-1/4 | 57 | 1-1/4 | 32 | 5/8 | 16 | Brass | |
| | 1210-0003-P | Nitrile | 7 | 12 | 2-1/4 | 57 | 1-1/4 | 32 | 5/8 | 16 | Brass | |
| | 4568-0001-P | Neoprene | 3 | 12 | 2-1/4 | 57 | 1-1/4 | 32 | 5/8 | 16 | Brass | |
| | 4568-0003-P | Nitrile | 3 | 12 | 2-1/4 | 57 | 1-1/4 | 32 | 5/8 | 16 | Brass | |
| | 5929-0001-P | Neoprene | 6 | 12 | 2-1/4 | 57 | 1-1/4 | 32 | 1/2 | 13 | Brass | |
| | 5929-0003-P | Nitrile | 6 | 12 | 2-1/4 | 57 | 1-1/4 | 32 | 1/2 | 13 | Brass | |
| | 13554-0001-P | Neoprene | 7 | 12 | 2-1/4 | 57 | 1-29/32 | 48 | 5/8 | 16 | Brass | |
| | 14281-0001-P | Neoprene | 5 | 12 | 2-1/4 | 57 | 1-1/4 | 32 | 5/8 | 16 | Plastic | |
| | 22120 Series | Neoprene | 7 | 12 | 2-1/4 | 57 | 2 | 51 | 5/8 | 16 | Brass | |
| (22120 Series impellers may be replaced with the newer 18777 Series – see Impeller Type HH) | | | | | | | | | | | | |

| IMPELLER | | MATERIAL | DRIVE TYPE | NUMBER OF BLADES | DIMENSIONS | | | | SHAFT DIAMETER | | INSERT MATERIAL |
|----------|--------------|----------------|------------|------------------|------------|-----|--------|-----|----------------|----|-----------------|
| TYPE | MODEL NUMBER | | | | DIAMETER | | WIDTH | | INCHES | mm | |
| | | | | | INCHES | mm | INCHES | mm | | | |
| L | 3085-0001-P | Neoprene | 7 | 10 | 2-1/4 | 57 | 1-1/4 | 32 | 1/2 | 13 | Brass |
| M | 920-0001-P | Neoprene | 7 | 8 | 2-9/16 | 65 | 2 | 51 | 5/8 | 16 | Brass |
| | 920-0003-P | Nitrile | 7 | 8 | 2-9/16 | 65 | 2 | 51 | 5/8 | 16 | Brass |
| | 920-0008B | Natural Rubber | 7 | 8 | 2-9/16 | 65 | 2 | 51 | 5/8 | 16 | Brass† |
| | 4598-0001-P | Neoprene | 3 | 8 | 2-9/16 | 65 | 2 | 51 | 5/8 | 16 | Brass |
| | 4598-0003-P | Nitrile | 3 | 8 | 2-9/16 | 65 | 2 | 51 | 5/8 | 16 | Brass** |
| | 6056-0003-P | Nitrile | 6 | 8 | 2-9/16 | 65 | 2 | 51 | 5/8 | 16 | Brass** |
| | 11979-0001-P | Neoprene | 7 | 8 | 2-9/16 | 65 | 1-7/16 | 37 | 5/8 | 16 | Brass |
| | 17018-0001-P | Neoprene | 7 | 8 | 2-9/16 | 65 | 3 | 76 | 5/8 | 16 | Brass |
| O | 836-0001-P | Neoprene | 7 | 9 | 3-3/4 | 95 | 2-1/2 | 63 | 1 | 25 | Brass |
| | 836-0003-P | Nitrile | 7 | 9 | 3-3/4 | 95 | 2-1/2 | 63 | 1 | 25 | Brass |
| | 836-0008-P | Natural Rubber | 7 | 9 | 3-3/4 | 95 | 2-1/2 | 63 | 1 | 25 | Brass† |
| | 6760-0001B | Neoprene | 7 | 9 | 3-3/4 | 95 | 3-1/2 | 89 | 1 | 25 | Brass |
| | 6760-0003-P | Nitrile | 7 | 9 | 3-3/4 | 95 | 3-1/2 | 89 | 1 | 25 | Brass |
| Q | 17370-0001-P | Neoprene | 5 | 12 | 3-3/4 | 95 | 3-1/2 | 89 | 1 | 25 | Plastic |
| | 17935-0001-P | Neoprene | 7 | 12 | 3-3/4 | 95 | 2-1/2 | 63 | 1 | 25 | Brass |
| | 17936-0001-P | Neoprene | 7 | 12 | 3-3/4 | 95 | 3-1/2 | 89 | 1 | 25 | Brass |
| | 17938-0001-P | Neoprene | 7 | 12 | 3-3/4 | 95 | 3-3/4 | 95 | 1 | 25 | Brass |
| R | 17240-0001B | Neoprene | 7 | 9 | 4-5/8 | 118 | 3-1/2 | 89 | 1 | 25 | Brass |
| | 18786-0001B | Neoprene | 5 | 9 | 4-5/8 | 118 | 3-1/2 | 89 | 1 | 25 | Plastic |
| | 18789-0001 | Neoprene | 7 | 9 | 4-5/8 | 118 | 3-1/2 | 89 | 1 | 25 | Brass |
| U | 2999-0001B | Neoprene | 7 | 13 | 5 | 127 | 4 | 102 | 1-1/2 | 38 | Brass |
| W | 18838-0001-P | Neoprene | 3 | 12 | 2-7/16 | 62 | 1-1/4 | 32 | 5/8 | 16 | Brass†† |
| X | 18948-0001-P | Neoprene | 3 | 12 | 2-9/16 | 65 | 1-5/8 | 41 | 5/8 | 16 | Brass†† |
| Y | 17937-0001-P | Neoprene | 7 | 10 | 2-9/16 | 65 | 2 | 51 | 5/8 | 16 | Brass |
| | 17937-0003-P | Nitrile | 7 | 10 | 2-9/16 | 65 | 2 | 51 | 5/8 | 16 | Brass |
| | 17954-0001-P | Neoprene | 4 | 10 | 2-9/16 | 65 | 2 | 51 | 3/4 | 19 | Brass†† |
| | 17956-0001-P | Neoprene | 6 | 10 | 2-9/16 | 65 | 2 | 51 | 5/8 | 16 | Brass |
| | 18327-0001-P | Neoprene | 3 | 10 | 2-9/16 | 65 | 2 | 51 | 5/8 | 16 | Brass†† |
| Z | 30919-0001 | Neoprene | 5 | 12 | 3-1/16 | 77 | 3 | 76 | 13/16 | 20 | Brass |

* Insert material was different.

† Impeller molded on shaft.

‡ For low temperature to 27°F (-3°C) – 120°F (49°C) max.

** Extended drive sleeves.

†† Sherwood replacement impeller.

‡‡ MerCruiser replacement.

12 Impeller Replacement

SELECTION TABLE BY DIMENSIONS



| NUMBER OF BLADES | DIMENSIONS | | DRIVE TYPE | SHAFT DIMENSIONS | | | | MATERIAL | INSERT MATERIAL | IMPELLER | |
|------------------|------------|-----|------------|------------------|-----|--------|----------|----------------|-----------------|--------------|------|
| | DIAMETER | | | DIAMETER | | WIDTH | | | | MODEL NUMBER | TYPE |
| | INCHES | mm | | INCHES | mm | INCHES | mm | | | | |
| 6 | 1-1/4 | 32 | 4 | 15/32 | 12 | 5/16 | 8 | Neoprene | Brass* | 1414-0001-P | A |
| | 1-1/4 | 32 | 4 | 15/32 | 12 | 5/16 | 8 | Nitrile | Brass* | 1414-0003-P | A |
| | 1-1/4 | 32 | 2 | 15/32 | 12 | 5/16 | 8 | Neoprene | Brass | 12104-0001B | A |
| | 1-1/4 | 32 | 4 | 15/32 | 12 | 5/16 | 8 | Neoprene | Brass | 21414-0001-P | A |
| | 1-1/4 | 32 | 4 | 15/32 | 12 | 5/16 | 8 | Neoprene | Brass* | 14609-0001B | C |
| | 1-1/4 | 32 | 4 | 15/32 | 12 | 5/16 | 8 | Neoprene | Brass* | 14609-0003 | C |
| | 1-1/4 | 32 | 4 | 15/32 | 12 | 5/16 | 8 | Neoprene | Plastic* | 14787-0001B | C |
| | 1-9/16 | 40 | 1 or 2 | 3/4 | 19 | 3/8 | 10 | Neoprene | Brass | 4528-0001-P | D |
| | 1-9/16 | 40 | 1 or 2 | 3/4 | 19 | 3/8 | 10 | Nitrile | Brass | 4528-0003-P | D |
| | 1-9/16 | 40 | – | 3/4 | 19 | 1/4 | 6 | Nitrile | None† | 17255-0003-P | D |
| | 1-9/16 | 40 | 1 | 3/4 | 19 | 15/32 | 12 | Neoprene | Brass | 22405-0001-P | D |
| | 2 | 51 | 1 | 7/8 | 22 | 15/32 | 12 | Neoprene | Brass | 653-0001-P | G |
| | 2 | 51 | 1 or 2 | 7/8 | 22 | 1/2 | 13 | Neoprene | Brass | 673-0001-P | G |
| | 2 | 51 | 2 | 7/8 | 22 | 5/16 | 8 | Nitrile | None | 4527-0003B | G |
| | 2 | 51 | 6 | 7/8 | 22 | 1/2 | 13 | Neoprene | Brass | 5616-0001-P | G |
| | 2 | 51 | 4 | 7/8 | 22 | 5/16 | 8 | Neoprene | Plastic | 7273-0001-P | G |
| | 2 | 51 | 4 | 7/8 | 22 | 5/16 | 8 | Nitrile | Plastic | 7273-0003-P | G |
| | 2 | 51 | 3 | 7/8 | 22 | 1/2 | 13 | Neoprene | Brass | 22799-0001-P | G |
| | 2 | 51 | 4 | 7/8 | 22 | 5/16 | 8 | Neoprene | Plastic | 6303-0001-P | H |
| | 2 | 51 | 4 | 7/8 | 22 | 5/16 | 8 | Nitrile | Plastic | 6303-0003-P | H |
| 2 | 51 | 6 | 7/8 | 22 | 1/2 | 13 | Neoprene | Brass** | 17486-0001 | H | |
| 8 | 1-1/4 | 32 | 4 | 15/32 | 12 | 5/16 | 8 | Neoprene | Brass* | 14750-0001-B | B |
| | 1-1/4 | 32 | 4 | 15/32 | 12 | 5/16 | 8 | Nitrile | Brass* | 14750-0003-P | B |
| | 2-9/16 | 65 | 7 | 2 | 51 | 5/8 | 16 | Neoprene | Brass | 920-0001-P | M |
| | 2-9/16 | 65 | 7 | 2 | 51 | 5/8 | 16 | Nitrile | Brass | 920-0003-P | M |
| | 2-9/16 | 65 | 7 | 2 | 51 | 5/8 | 16 | Natural Rubber | Brass‡ | 920-0008B | M |
| | 2-9/16 | 65 | 3 | 2 | 51 | 5/8 | 16 | Neoprene | Brass | 4598-0001-P | M |
| | 2-9/16 | 65 | 3 | 2 | 51 | 5/8 | 16 | Nitrile | Brass** | 4598-0003-P | M |
| | 2-9/16 | 65 | 6 | 2 | 51 | 5/8 | 16 | Nitrile | Brass** | 6056-0003-P | M |
| | 2-9/16 | 65 | 7 | 1-7/16 | 37 | 5/8 | 16 | Neoprene | Brass | 11979-0001-P | M |
| | 2-9/16 | 65 | 7 | 3 | 77 | 5/8 | 16 | Neoprene | Brass | 17018-0001-P | M |
| 9 | 3-3/4 | 95 | 7 | 2-1/2 | 63 | 1 | 25 | Neoprene | Brass | 836-0001-P | O |
| | 3-3/4 | 95 | 7 | 2-1/2 | 63 | 1 | 25 | Nitrile | Brass | 836-0003-P | O |
| | 3-3/4 | 95 | 7 | 2-1/2 | 63 | 1 | 25 | Natural Rubber | Brass‡ | 836-0008-P | O |
| | 3-3/4 | 95 | 7 | 3-1/2 | 89 | 1 | 25 | Neoprene | Brass | 6760-0001B | O |
| | 3-3/4 | 95 | 7 | 3-1/2 | 89 | 1 | 25 | Nitrile | Brass | 6760-0003-P | O |
| | 4-5/8 | 118 | 7 | 3-1/2 | 89 | 1 | 25 | Neoprene | Brass | 17240-0001B | R |
| | 4-5/8 | 118 | 5 | 3-1/2 | 89 | 1 | 25 | Neoprene | Plastic | 18786-0001B | R |
| | 4-5/8 | 118 | 7 | 3-1/2 | 89 | 1 | 25 | Neoprene | Brass | 18789-0001 | R |

| NUMBER OF BLADES | DIMENSIONS | | DRIVE TYPE | SHAFT DIMENSIONS | | | | MATERIAL | INSERT MATERIAL | IMPELLER | |
|------------------|------------|-----|------------|------------------|-------|--------|----------|----------|-----------------|--------------|------|
| | DIAMETER | | | DIAMETER | | WIDTH | | | | MODEL NUMBER | TYPE |
| | INCHES | mm | | INCHES | mm | INCHES | mm | | | | |
| 10 | 2-19/32 | 66 | 7 | 2-11/16 | 68 | 5/8 | 16 | Neoprene | Brass†† | 31130-0061-P | CC |
| | 1-19/32 | 41 | 4 | 3/4 | 19 | 5/16 | 8 | Neoprene | Plastic* | 9200-0011B | F |
| | 1-19/32 | 41 | 4 | 3/4 | 19 | 5/16 | 8 | Nitrile | Plastic* | 9200-0003B | F |
| | 1-19/32 | 41 | 4 | 3/4 | 19 | 5/16 | 8 | Neoprene | Brass | 9200-0021B | F |
| | 1-19/32 | 41 | 4 | 3/4 | 19 | 5/16 | 8 | Nitrile | Brass | 9200-0023-P | F |
| | 2-1/4 | 57 | 7 | 2 | 51 | 5/8 | 16 | Neoprene | Brass | 18777-0001-P | HH |
| | 2 | 51 | 1 | 7/8 | 22 | 5/32 | 12 | Neoprene | Brass | 18653-0001-P | I |
| | 2 | 51 | 1 or 2 | 7/8 | 22 | 1/2 | 13 | Neoprene | Brass | 18673-0001-P | I |
| | 2 | 51 | 1 or 2 | 7/8 | 22 | 1/2 | 13 | Nitrile | Brass | 18673-0003-P | I |
| | 2-1/4 | 57 | 7 | 1-1/4 | 32 | 1/2 | 13 | Neoprene | Brass | 3085-0001-P | L |
| | 2-9/16 | 65 | 7 | 2 | 51 | 5/8 | 16 | Neoprene | Brass | 17937-0001-P | Y |
| | 2-9/16 | 65 | 7 | 2 | 51 | 5/8 | 16 | Nitrile | Brass | 17937-0003-P | Y |
| | 2-9/16 | 65 | 4 | 2 | 51 | 3/4 | 19 | Neoprene | Brass†† | 17954-0001-P | Y |
| | 2-9/16 | 65 | 6 | 2 | 51 | 5/8 | 16 | Neoprene | Brass | 17956-0001-P | Y |
| 2-9/16 | 65 | 3 | 2 | 51 | 5/8 | 16 | Neoprene | Brass†† | 18327-0001-P | Y | |
| 12 | 3-1/4 | 83 | 3 | 2-57/64 | 73 | 25/32 | 21 | Neoprene | Brass | 18958-0001-P | GG |
| | 2-1/4 | 57 | 7 | 1-1/4 | 32 | 5/8 | 16 | Neoprene | Brass | 1210-0001-P | K |
| | 2-1/4 | 57 | 7 | 1-1/4 | 32 | 5/8 | 16 | Nitrile | Brass | 1210-0003-P | K |
| | 2-1/4 | 57 | 3 | 1-1/4 | 32 | 5/8 | 16 | Neoprene | Brass | 4568-0001-P | K |
| | 2-1/4 | 57 | 3 | 1-1/4 | 32 | 5/8 | 16 | Nitrile | Brass | 4568-0003-P | K |
| | 2-1/4 | 57 | 6 | 1-1/4 | 32 | 1/2 | 13 | Neoprene | Brass | 5929-0001-P | K |
| | 2-1/4 | 57 | 6 | 1-1/4 | 32 | 1/2 | 13 | Nitrile | Brass | 5929-0003-P | K |
| | 2-1/4 | 57 | 7 | 1-29/32 | 48 | 5/8 | 16 | Neoprene | Brass | 13554-0001-P | K |
| | 2-1/4 | 57 | 5 | 1-1/4 | 32 | 5/8 | 16 | Neoprene | Plastic | 14281-0001-P | K |
| | 2-1/4 | 57 | 7 | 2 | 51 | 5/8 | 16 | Neoprene | Brass | 22120 Series | K |
| | 3-3/4 | 95 | 5 | 3-9/16 | 89 | 1 | 25 | Neoprene | Plastic | 17370-0001-P | Q |
| | 3-3/4 | 95 | 7 | 2-9/16 | 63 | 1 | 25 | Neoprene | Brass | 17935-0001-P | Q |
| | 3-3/4 | 95 | 7 | 3-9/16 | 89 | 1 | 25 | Neoprene | Brass | 17936-0001-P | Q |
| | 3-3/4 | 95 | 7 | 3-3/4 | 95 | 1 | 25 | Neoprene | Brass | 17938-0001-P | Q |
| | 2-7/16 | 62 | 3 | 1-1/4 | 32 | 5/8 | 16 | Neoprene | Brass†† | 18838-0001-P | W |
| | 2-9/16 | 65 | 3 | 1-5/8 | 41 | 5/8 | 16 | Neoprene | Brass†† | 18948-0001-P | X |
| 3-1/16 | 77 | 5 | 3 | 76 | 13/16 | 20 | Neoprene | Brass | 30919-0001 | Z | |
| 13 | 5 | 127 | 7 | 4 | 102 | 1-1/2 | 38 | Neoprene | Brass | 2999-0001B | U |

* Insert material was different.

† Impeller molded on shaft.

‡ For low temperature to 27°F (-3°C) – 120°F (49°C) max.

** Extended drive sleeves.

†† Sherwood replacement impeller.

‡‡ MerCruiser replacement.

12 Impeller Replacement

TROUBLESHOOTING GUIDE



Troubleshooting 1

SYMPTOMS

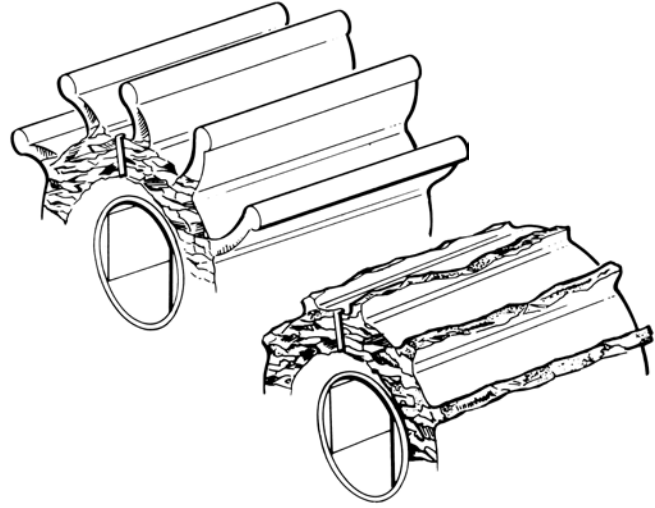
- End faces hard and either polished or cracked, like carbon.
- Some or all blades completely missing.

CAUSE

- Dry running, lack of water in pump.
- Temporary suction blockage.
- Leaking suction plumbing.

REMEDY

- Do not run pump for more than 20 seconds without liquid.
- Install a liquid sensor/temperature alarm.
- Check suction plumbing, strainers, and through hull fittings for blockages and leakage.
- Arrange discharge plumbing to trap liquid in the pump.



Troubleshooting 2

SYMPTOMS

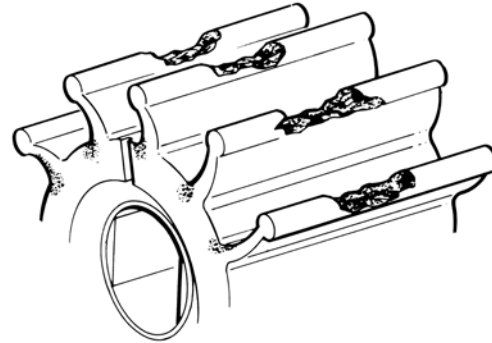
- Pieces missing from the middle of blade tips.
- Blade edges are hollowed out.
- Pitting is evident on cam and the inside of pump ports, and on ends of impeller.

CAUSE

- Cavitation, i.e., too much vacuum on inlet is causing water to boil inside pump.

REMEDY

- Reduce pump speed.
- Increase inlet plumbing diameter.
- Reduce inlet plumbing length and remove unnecessary restrictions.
- Reduce cam thickness.



Troubleshooting 3

SYMPTOMS

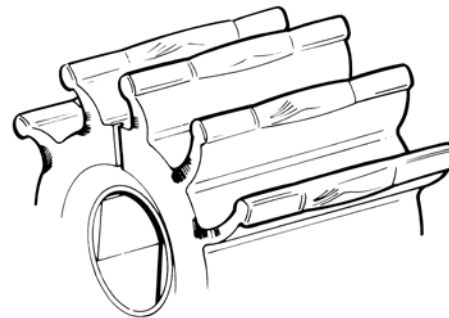
- Worn blade tips, cam imprint on edges.
- Worn end faces.
- Worn impeller drive and shaft wear.

CAUSE

- Abrasive wear from fluid in pump.
- Heat exchanger/cooler blockage.
- High discharge pressure.

REMEDY

- Check discharge plumbing for partial blockages.
- Increase discharge pipe diameter.



Troubleshooting 4

SYMPTOMS

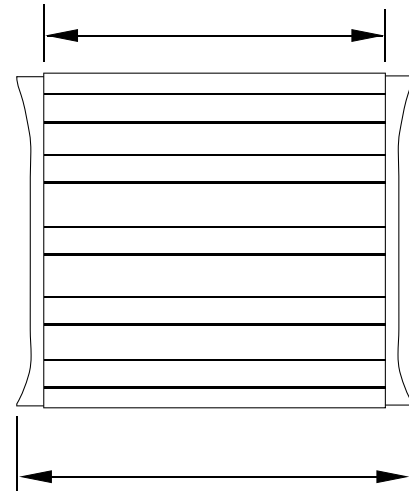
- Impeller appears to have swollen.
- Blades appear wider than impeller hub.
- Rubber may feel sticky.

CAUSE

- Chemical attack, more common with oily bilge water or diesel transfer.

REMEDY

- Ensure impeller is rinsed after use.
- Remove impeller when not in use.
- Remove impeller for long-term storage.



Troubleshooting 5

SYMPTOMS

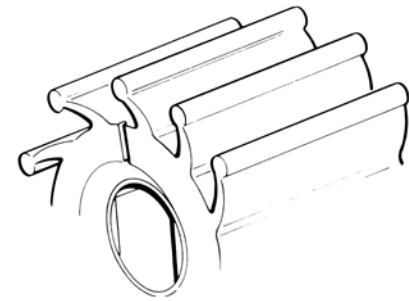
- Blades have some or severe permanent set.

CAUSE

- Normal use of impeller.
- Long-term storage in pump.
- Normal end of impeller life.

REMEDY

- Refit impeller to rotate in opposite direction.
- Remove impeller for long-term storage.
- Replace impeller.



Troubleshooting 6

SYMPTOMS

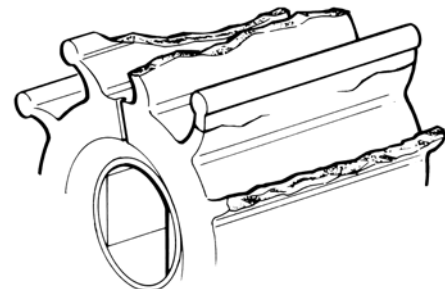
- Blades cracked about halfway up the length.
- Some blades missing.
- Reduced flow.

CAUSE

- Normal end of impeller life.
- High discharge pressure.

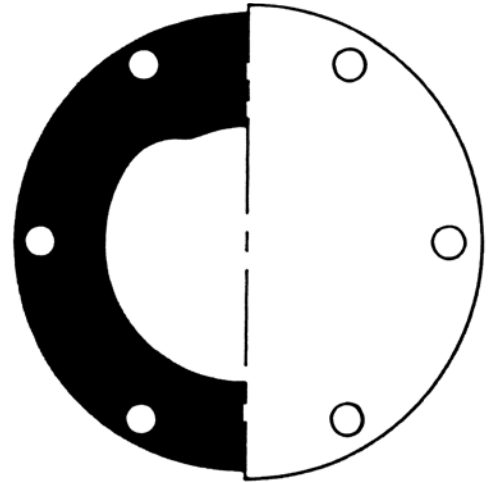
REMEDY

- Replace impeller; check for impeller pieces in discharge plumbing.
- Reduce outlet restrictions or increase outlet plumbing diameter.

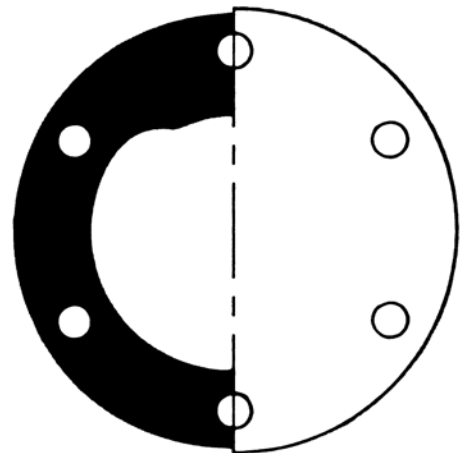


13 Service Parts

GASKET, WEARPLATE &
END COVER PROFILES

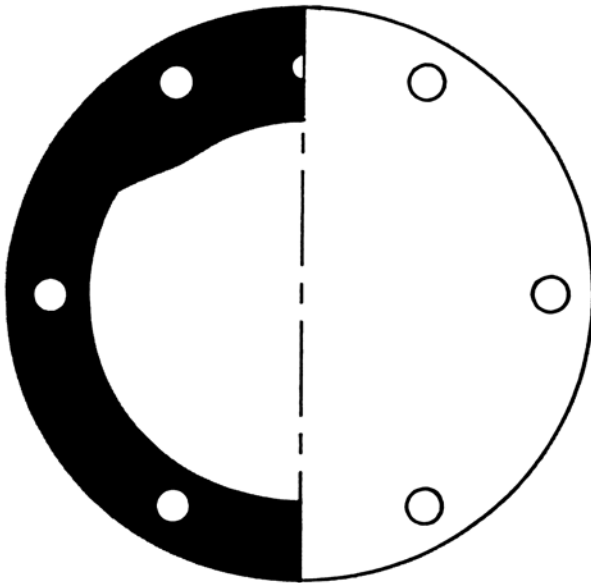


| | GASKET | END COVER |
|-----------|-----------|------------|
| UK pumps | 1126 | AL-200 |
| USA pumps | 1126-0000 | 11835-0000 |

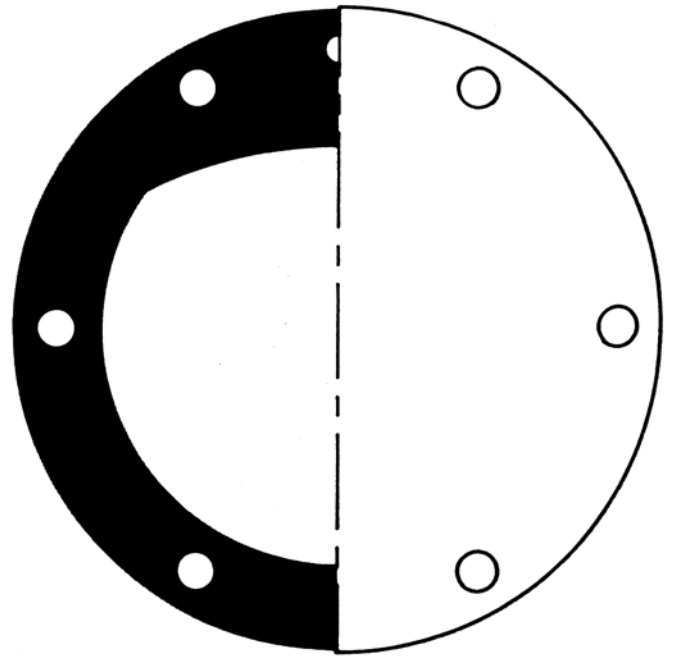


| | GASKET | END COVER |
|-----------|-----------|------------|
| UK pumps | 1189 | 9566 |
| USA pumps | 1189-0000 | 12066-0000 |

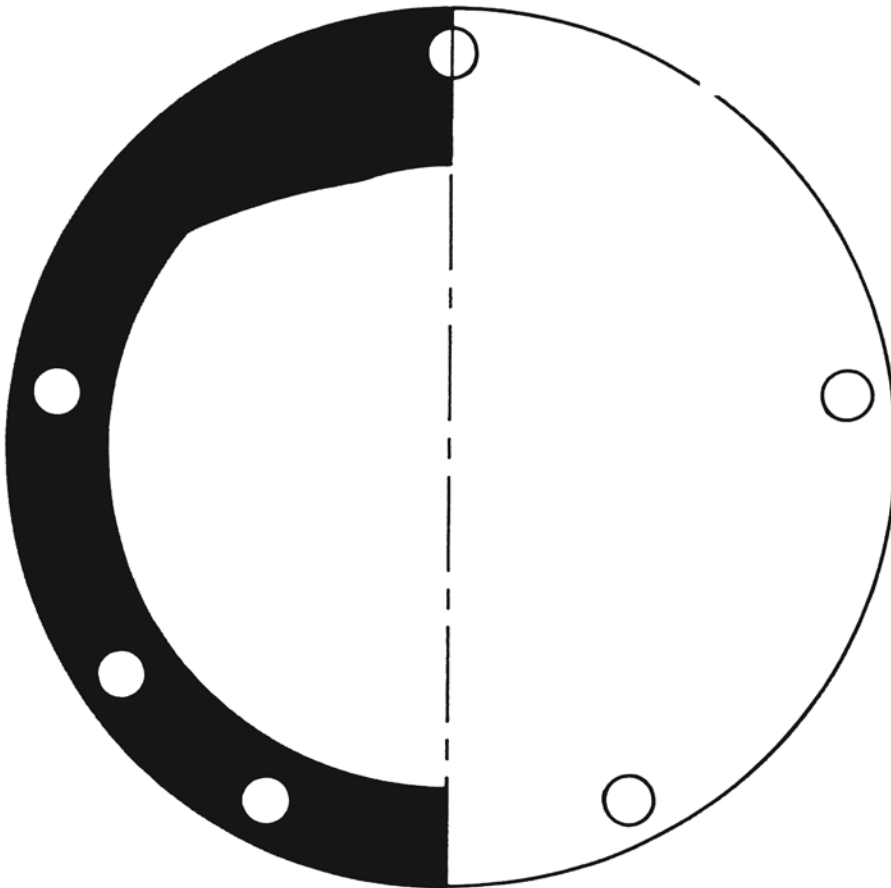




| | GASKET | END COVER |
|-----------|-----------|------------|
| UK pumps | 3298 | 3992 |
| USA pumps | 3298-0000 | 11830-0000 |



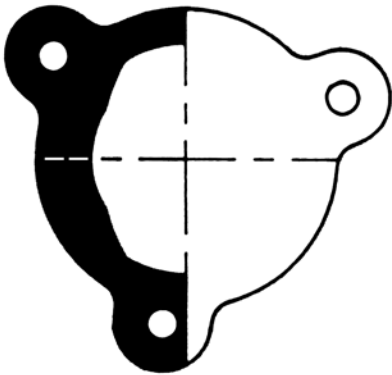
| | GASKET | END COVER |
|-----------|----------|------------|
| UK pumps | 890 | 3993 |
| USA pumps | 890-0000 | 11831-0000 |



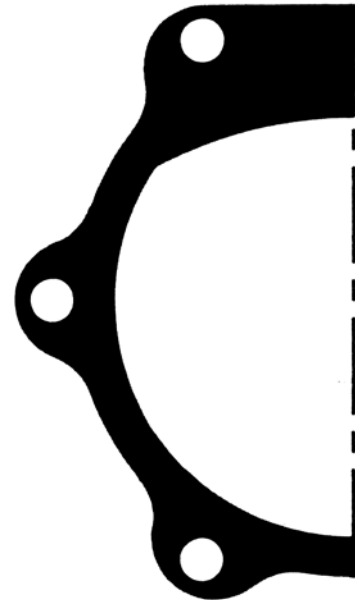
| | GASKET | END COVER |
|-----------|----------|------------|
| UK pumps | 816 | 9336 |
| USA pumps | 816-0000 | 12062-0000 |

13 Service Parts

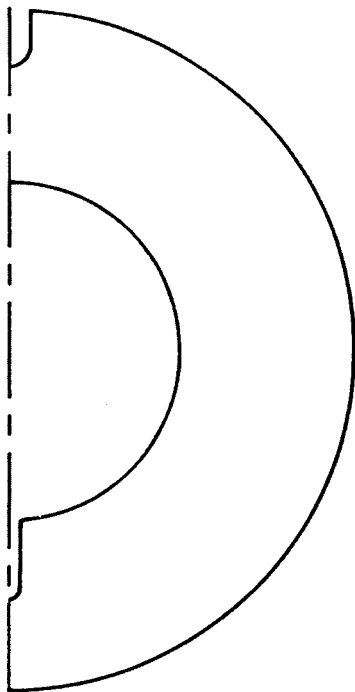
GASKET, WEARPLATE & END COVER PROFILES



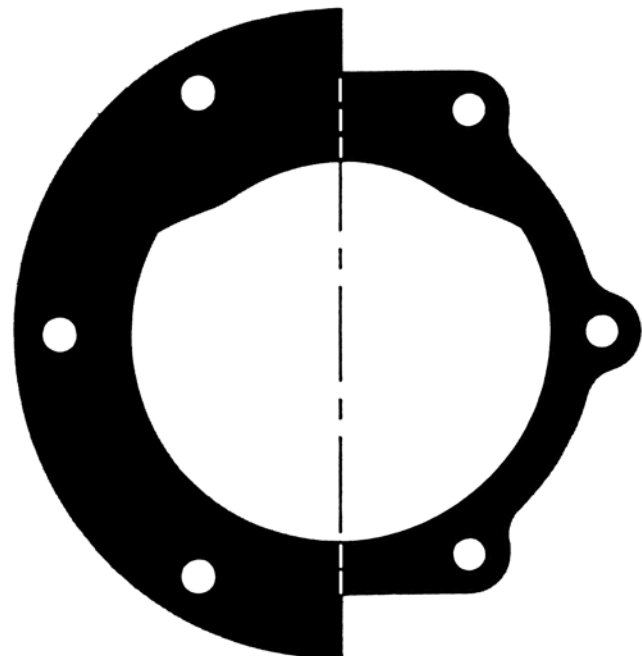
| | GASKET | END COVER |
|-----------|--------|-----------|
| UK pumps | 5878 | 5875 |
| USA pumps | N/A | N/A |



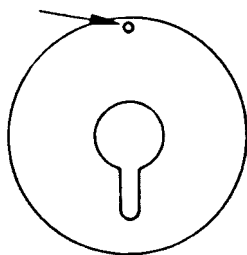
| | GASKET |
|-----------|----------|
| UK pumps | 706-01 |
| USA pumps | 706-0000 |



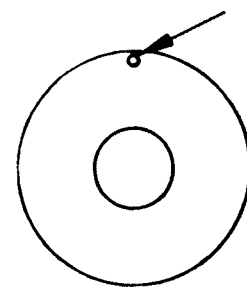
| | WEARPLATE |
|-----------|-----------|
| UK pumps | 2574 |
| USA pumps | 2574-0000 |



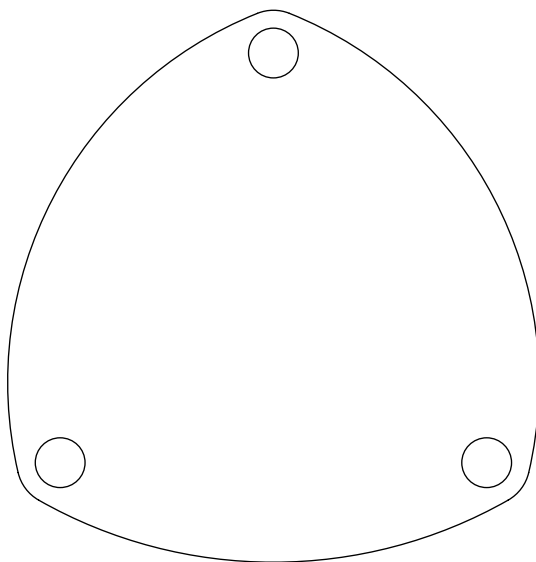
| | GASKET | GASKET |
|----------------------------------|-----------|-----------|
| UK pumps | 6496 | 4908 |
| USA pumps | 6496-0000 | 7083-0000 |
| Use with 080 size 3993 end cover | | |



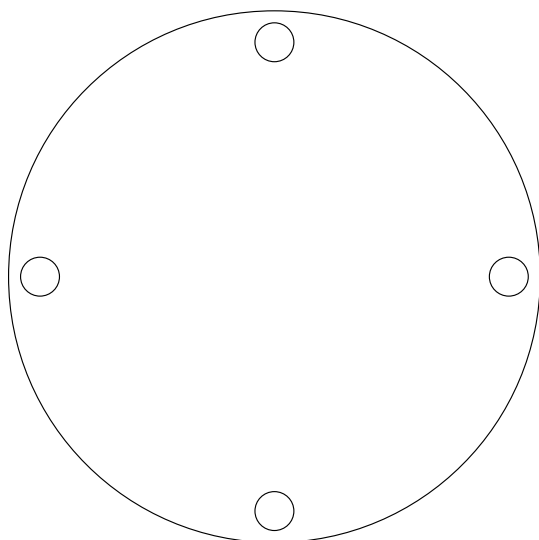
| WEARPLATE | |
|-----------|-----------|
| UK pumps | 2765 |
| USA pumps | 2765-0000 |



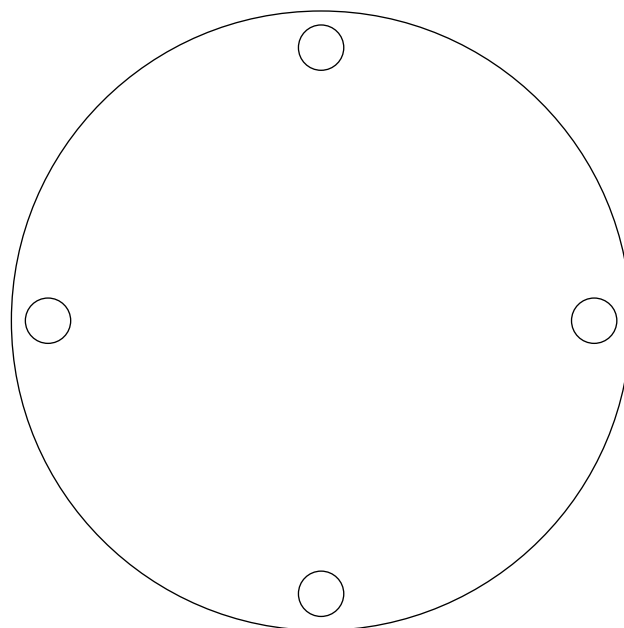
| WEARPLATE | |
|-----------|------|
| UK pumps | 5876 |
| USA pumps | N/A |



END COVER 9328-0200



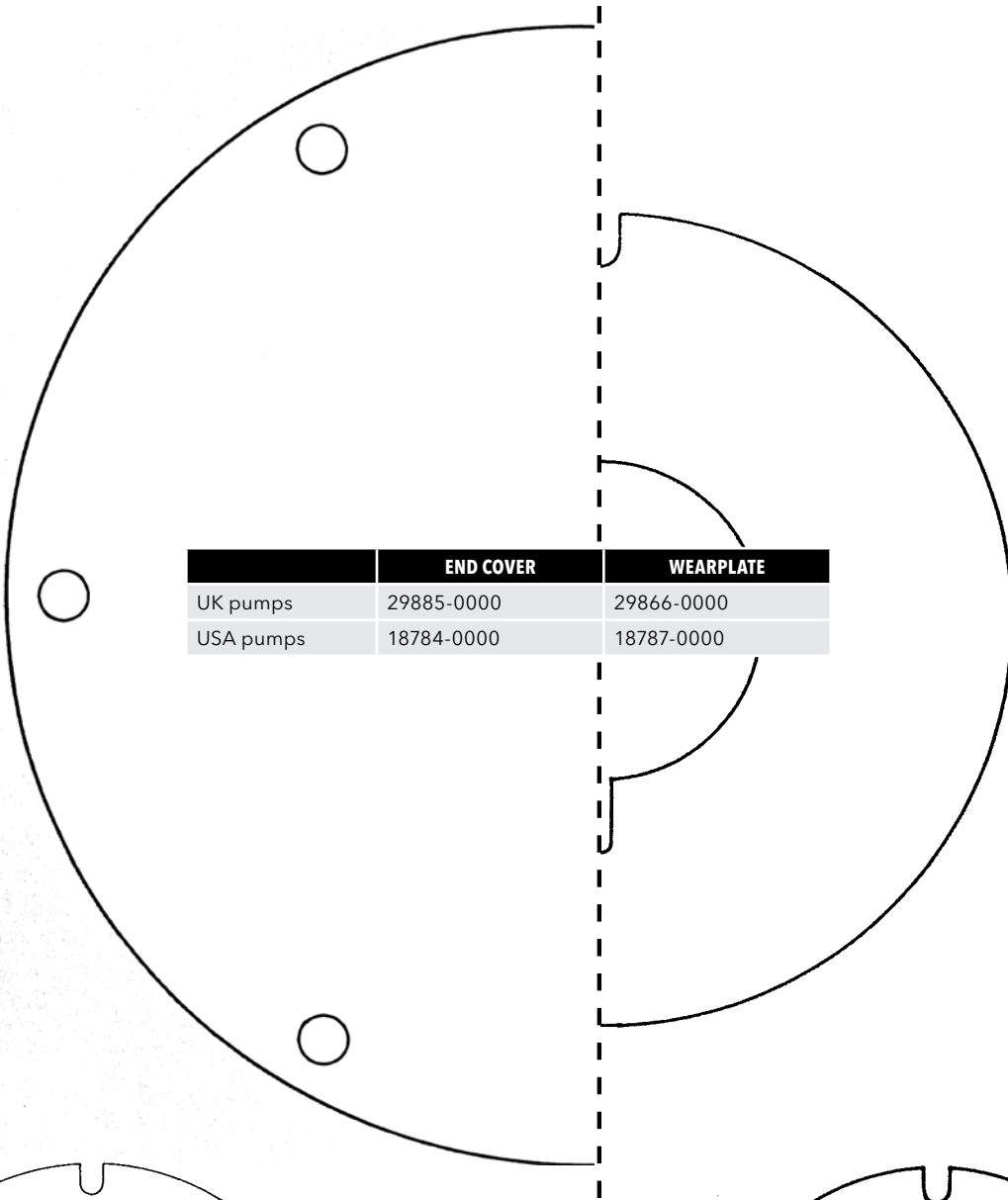
END COVER 23825-0000



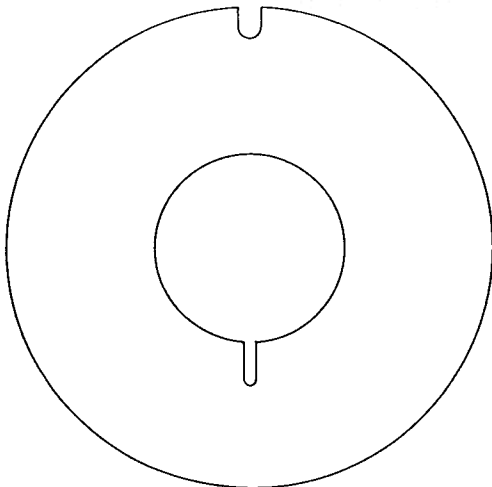
END COVER 50355-0000

13 Service Parts

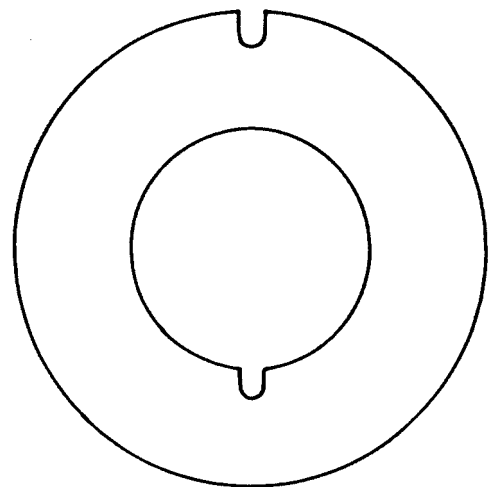
GASKET, WEARPLATE & END COVER PROFILES



| | END COVER | WEARPLATE |
|-----------|------------|------------|
| UK pumps | 29885-0000 | 29866-0000 |
| USA pumps | 18784-0000 | 18787-0000 |



| | WEARPLATE |
|-----------|-----------|
| UK pumps | 7883 |
| USA pumps | 7883-0000 |



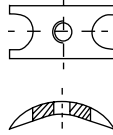
| | WEARPLATE |
|-----------|-----------|
| UK pumps | 4156 |
| USA pumps | 4156-0000 |

Service Parts 13

CAM PROFILES

Size Group 005

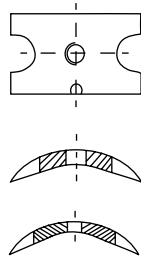
| MODEL | DESCRIPTION |
|------------|----------------|
| 5868 | Cam, UK pumps |
| 8089-0000 | Cam, USA pumps |
| SP1002-01 | Cam Screw |
| 91002-0010 | Cam Screw, USA |



Size Group 010

Slot 2763 and 21233 only.

| MODEL | DESCRIPTION |
|------------|----------------|
| AL8 | Cam |
| 29303-0000 | Cam |
| 2763 | Cam, UK pumps |
| 2763-0000 | Cam, USA pumps |
| SP1002-09 | Cam Screw |
| 91002-0090 | Cam Screw, USA |

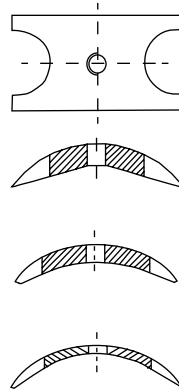


| MODEL | DESCRIPTION |
|----------|-------------|
| AL8-01 | Cam |
| 21233 | Cam |
| SP1002-1 | Cam Screw |

Size Group 020

| MODEL | DESCRIPTION |
|------------|----------------|
| 10818 | Cam |
| SP1002-02 | Cam Screw |
| 91002-0020 | Cam Screw, USA |

| MODEL | DESCRIPTION |
|------------|----------------|
| 2907-0001 | Cam, UK pumps |
| 2907-0000 | Cam, USA pumps |
| SP1002-09 | Cam Screw |
| 91002-0090 | Cam Screw, USA |



Size Group 040

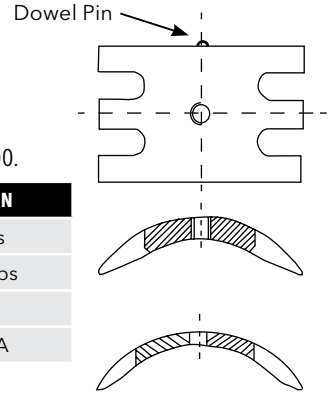
- Assembly 5211 (USA pumps 7876-0000) includes Dowel Pin, Cam and Wearplate.
- Assembly 7884 includes Dowel Pin, Cam and Wearplate.

If O-ring end cover fitted, use 23826-0000.

| MODEL | DESCRIPTION |
|------------|----------------|
| 490 | Cam, UK pumps |
| 490-0000 | Cam, USA pumps |
| SP1003-01 | Cam Screw |
| 91003-0010 | Cam Screw, USA |

If O-ring end cover fitted, use 23826-0100.

| MODEL | DESCRIPTION |
|-----------|-------------|
| 10336 | Cam |
| SP1003-09 | Cam Screw |



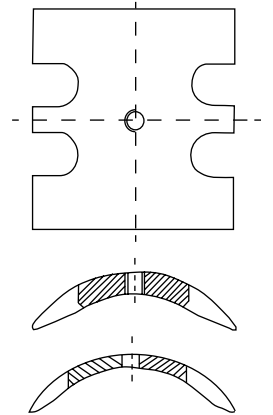
Size Group 060

| MODEL | DESCRIPTION |
|------------|----------------|
| 22318 | Cam, UK pumps |
| 18753-0000 | Cam, USA pumps |
| SP1004-11 | Cam Screw |
| 91004-0110 | Cam Screw, USA |

If O-ring end cover fitted, use:

| MODEL | DESCRIPTION |
|------------|-------------|
| 22318-0100 | Cam |
| 92000-1403 | O-ring |
| X3003-149K | Cam Screw |

| MODEL | DESCRIPTION |
|------------|----------------|
| 22308 | Cam, UK pumps |
| 22308-0000 | Cam, USA pumps |
| SP1004-10 | Cam Screw |
| 91004-0100 | Cam Screw, USA |

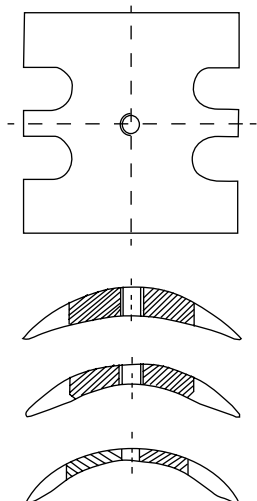


13 Service Parts

CAM PROFILES



Size Group 080



| MODEL | DESCRIPTION |
|------------|----------------|
| 934-0000 | Cam, UK pumps |
| 934-0000 | Cam, USA pumps |
| SP1004-09 | Cam Screw |
| 91004-0090 | Cam Screw, USA |

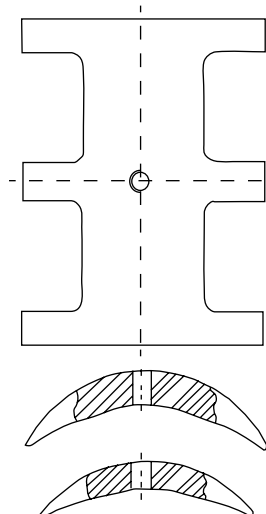
If O-ring end cover fitted, use:

| MODEL | DESCRIPTION |
|------------|-------------|
| 53082-0100 | Cam |
| X4020-269A | O-ring |
| X3003-176F | Cam Screw |

| MODEL | DESCRIPTION |
|------------|----------------|
| 3255 | Cam, UK pumps |
| 3255-0000 | Cam, USA pumps |
| SP1004-11 | Cam Screw |
| 91004-0110 | Cam Screw, USA |

| MODEL | DESCRIPTION |
|------------|----------------|
| 2431 | Cam, UK pumps |
| 2431-0000 | Cam, USA pumps |
| SP1004-10 | Cam Screw |
| 91004-0100 | Cam Screw, USA |

Size Group 120



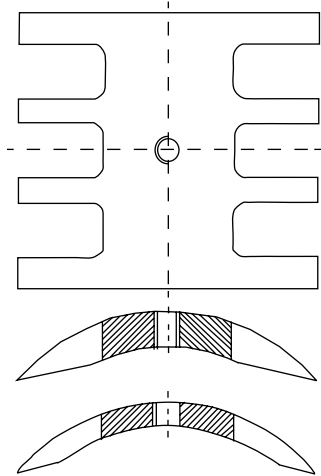
| MODEL | DESCRIPTION |
|------------|-------------|
| 23341-0000 | Cam |
| SP1004-09 | Cam Screw |

If O-ring end cover fitted, use:

| MODEL | DESCRIPTION |
|------------|-------------|
| 23341-0001 | Cam |
| X4020-269A | O-ring |
| SP1004-09 | Cam Screw |

| MODEL | DESCRIPTION |
|------------|-------------|
| 23342-0000 | Cam |
| SP1004-09 | Cam Screw |

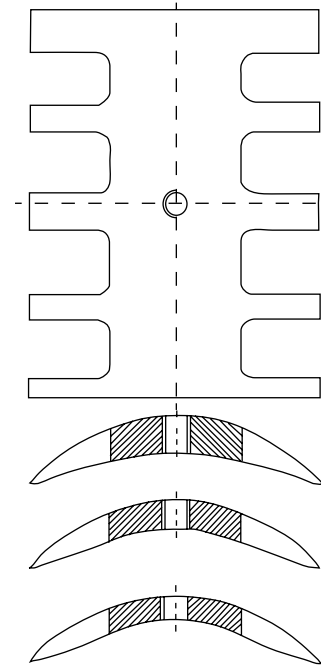
Size Group 200



| MODEL | DESCRIPTION |
|------------|----------------|
| 834 | Cam, UK pumps |
| 834-0000 | Cam, USA pumps |
| SP1005-04 | Cam Screw |
| 91005-0040 | Cam Screw, USA |

| MODEL | DESCRIPTION |
|------------|----------------|
| 2551 | Cam, UK pumps |
| 2551-0000 | Cam, USA pumps |
| SP1005-05 | Cam Screw |
| 91005-0050 | Cam Screw, USA |

Size Group 270

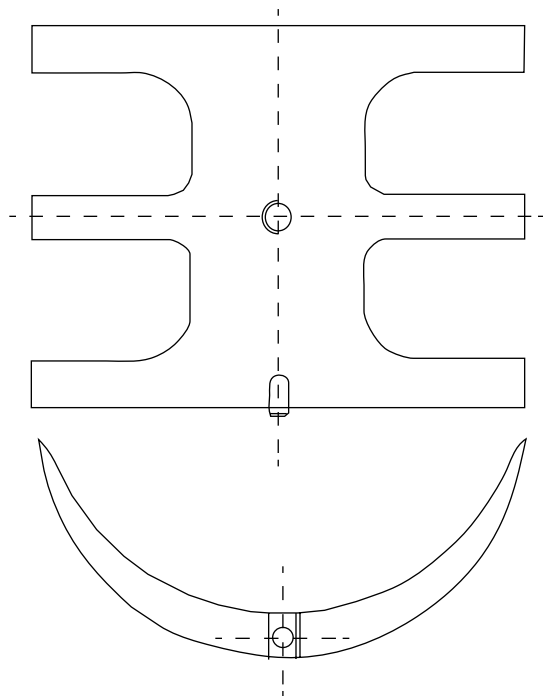


| MODEL | DESCRIPTION |
|------------|----------------|
| 6988 | Cam, UK pumps |
| 6988-0000 | Cam, USA pumps |
| SP1005-04 | Cam Screw |
| 91005-0040 | Cam Screw, USA |

| MODEL | DESCRIPTION |
|-----------|-------------|
| 22039 | Cam |
| SP1005-05 | Cam Screw |

| MODEL | DESCRIPTION |
|-----------|-------------|
| 22268 | Cam |
| SP1005-05 | Cam Screw |

Size Group 470



| MODEL | DESCRIPTION |
|------------|-------------|
| 29862-0100 | Cam |
| X3001-207F | Cam Screw |

13 Service Parts

FLEXIBLE IMPELLER PUMP SPARES BY PUMP MODEL



MULTILINGUAL PART KEY DICTIONARY

(US)

1. Gasket
2. Impeller
3. Water seal
4. End cover screw
5. Cam
6. Cam screw
7. Pump end oil seal
8. Pump end bearing
9. Drive end oil seal
10. Drive end bearing
11. Shaft
12. Wearplate
13. Endcover
14. Body

(FR)

1. Joint
2. Impulseur
3. Garniture
4. Vis de couvercle
5. Came
6. Vis de came
7. Joint a levre
8. Roulement interieur
9. Joint exterieur
10. Roulement exterieur
11. Arbre
12. Plaque d'usure
13. Couvercle
14. Corps de pompe

(DE)

1. Deckeldichtung
2. Impeller
3. Wellendichtung
4. Deckel schraube
5. Exzenter
6. Exzenterschraube
7. Lagerdichtung innen
8. Kugellager innen
9. Lagererdichtung aussen
10. Kugellager aussen
11. Welle
12. Verschleissplatte
13. Dekelschraube
14. Pumpengehäuse

(IT)

1. Guarnizione
2. Girante
3. Tenuta
4. Vill coperchio
5. Camme
6. Vite camme
7. Tenuta intereno cuscline
8. Cuscinetto interno
9. Tunuta cuscinetto esterno
10. Cuscinetto esterno
11. Albero
12. Piastra d'usura
13. Coperchio
14. Corpo pomp

(NL)

1. Papier
2. Waaier
3. Asdichting
4. Deksel schroeven
5. Kam
6. Kam Schroef
7. Simmer ring
8. Kogellager
9. Simmer Ring
10. Kogellager
11. As
12. Slijpplaat
13. Einddeksel
14. Pomp Huis

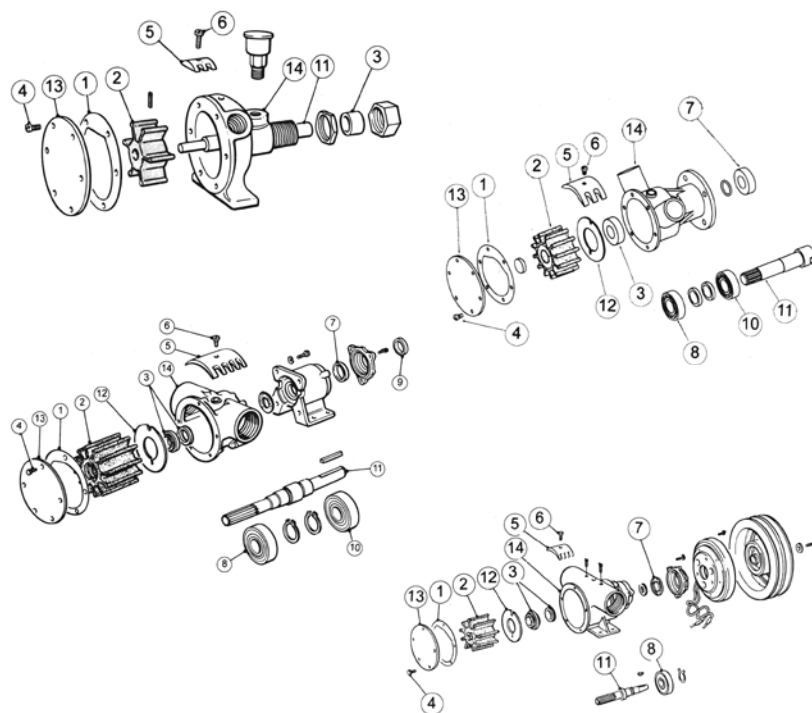
| JABSCO PUMP DETAILS | | | | | | | SERVICE KIT LISTING | | | | |
|---------------------------|------------|--------------|------------|---------------|----------|-----------------------------|---------------------|-------------------|------------|------------|---------------------|
| MODEL NUMBER *OEM ONLY | UK/ USA | PUMP SIZE | PORT TYPE | MOUNT TYPE | OBSOLETE | ALTERNATE PUMP NUMBER | PART KEY | 1 | 2 | 3 | 4 |
| | | | | | | | KIT NUMBER | GASKET/ O-RING | IMPELLER | WATER SEAL | END COVER SCREWS |
| AL 1/4"-200 | UK | 10 | 1/4" BSP | Foot | | | SK1 | 1126 | 4528-0001 | AL22 | SP1002-01 |
| AL 1/4"-204 | UK | 10 | 1/4" BSP | Foot | • | | SK1 | 1126 | 4528-0001 | AL22 | SP1002-01 |
| AL 1/4"-237 | UK | 10 | 1/4" BSP | Foot | • | | SK1-37 | 1126 | 4528-0003 | AL22 | SP1002-01 |
| B 3/8"-200 | UK | 20 | 3/8" BSP | Foot | • | 6540-200 | SK2 | 2995-0030 | 4527-0001 | B22 | SP1002-01 |
| JD 3/4"-200 | UK | 40 | 3/4" BSP | Foot | | | SK220 | 706-01 | 4598-0001 | C20 | SP1003-02 |
| JD 3/4"-201 | UK | 40 | 3/4" BSP | Foot | • | JD 3/4"- 200 | SK220 | 706-01 | 4598-0001 | 3791 | SP1003-02 |
| JD 3/4"-205 | UK | 40 | 3/4" BSP | Foot | • | | SK220 | 706-01 | 4598-0001 | 3791 | SP1003-02 |
| JD 3/4"-208 | UK | 40 | 3/4" BSP | Foot | • | JD 3/4"- 200 | SK220 | 706-01 | 4598-0001 | C20 | SP1003-02 |
| JD 3/4"-237 | UK | 40 | 3/4" BSP | Foot | • | | SK220-37 | 706-01 | 4598-0003 | C20 | SP1003-02 |
| 777-0001 | USA | 80 | 1" BSP | Foot | | | 90010-0001 | 890-0000 | 17937-0001 | 92700-0060 | 91003-0010 |
| 777-0003 | USA | 80 | 1" NPT | Foot | | | 90010-0003 | 890-0000 | 920-0003 | 92700-0060 | 91003-0010 |
| 777-9001 | USA | 80 | 1" NPT | Foot | | | 90118-0001 | 890-0000 | 17937-0001 | 96080-0080 | 91003-0010 |
| 777-9003 | USA | 80 | 1" NPT | Foot | | | 90118-0003 | 890-0000 | 920-0003 | 96080-0080 | 91003-0010 |
| 777-9004 | USA | 80 | 1" NPT | Foot | | | 90118-0001 | 890-0000 | 14282-0004 | 96080-0080 | 91003-0010 |
| 777-9005 | USA | 80 | 1" NPT | Foot | | | 90118-0003 | 890-0000 | 920-0003 | 96080-0080 | 91003-0010 |
| 777-9011 | USA | 80 | 1" NPT | Foot | | | 90118-0001 | 890-0000 | 17937-0001 | 96080-0080 | 91003-0010 |
| 777-9051 | USA | 80 | 1" NPT | Foot | | | 90118-0001 | 2432-0000 | 17937-0001 | 96080-0080 | 91003-0010 |
| 823-200 | USA | 200 | 1-3/4" BSP | Foot | • | | SK11 | 816 | 836-0001 | 1814 | SP1005-04 |
| 823-205 | USA | 200 | 1-3/4" BSP | Foot | • | | SK11 | 816 | 836-0001 | 1814 | SP1005-04 |
| 1673-0001 | USA | 40 | 1/2" NPT | Foot | | | 90015-0001 | 1835-0000 | 1210-0001 | 92700-0060 | 91003-0010 |
| 1673-0003 | USA | 40 | 1/2" NPT | Foot | | | 90015-0003 | 1835-0000 | 1210-0003 | 92700-0060 | 91003-0010 |
| 1673-1001 | USA | 40 | 1/2" NPT | Foot | | | 90015-0001 | 18753-0133 | 1210-0001 | 92700-0060 | 91003-0010 |
| 1673-1003 | USA | 40 | 1/2" NPT | Foot | | | 90015-0003 | 18753-0133 | 1210-0003 | 92700-0060 | 91003-0010 |
| 1673-2001 | USA | 40 | 1/2" NPT | Foot | | | 90119-0001 | 18753-0133 | 1210-0001 | 96080-0080 | 91003-0010 |

SE

1. Pakning
2. Impeller
3. Tätning
4. Skruv
5. Kam
6. Kamskruv
7. Lapptätning
8. Inre lager
9. Yttre lagetätning
10. Yttre lager
11. Axel
12. Slitbricka
13. Lock
14. Pumphus

ES

1. Junta
2. Impulsor
3. Sello
4. Tornillo
5. Leva
6. Tornillo de la leva
7. Sello interno cojine
8. Cojinete interno
9. Sello cojinete externo
10. Cojinete externo
11. Eje
12. Disco de degaste
13. Apa
14. Cuerpo de la bomba



GENERAL PARTS LISTING

| | 5 | 6 | 7 | 8 | 9 | 10 | 11 | 12 | 13 | 14 |
|--|-----------|------------|-------------------|------------------|--------------------|-------------------|------------|-----------|------------|------------|
| | CAM | CAM SCREW | PUMP END OIL SEAL | PUMP END BEARING | DRIVE END OIL SEAL | DRIVE END BEARING | SHAFT | WEARPLATE | END COVER | BODY |
| | AL8 | SP1002-02 | – | – | – | – | AL10 | – | AL6-200 | AL4-200 |
| | AL8-01 | SP1002-09 | – | – | – | – | AL10 | – | AL6-200 | AL4-200 |
| | AL8 | SP1002-02 | – | – | – | – | AL10 | – | AL6-200 | AL4-200 |
| | 2907-0001 | SP1002-02 | – | – | – | – | B10 | – | 3992 | B8-200 |
| | 934-0000 | SP1004-01 | – | – | – | – | D10-01 | – | D6-01-200 | JD4-200 |
| | 934-0000 | SP1004-01 | – | – | – | – | D10-201 | – | D6-01-200 | JD4-200 |
| | 2431 | SP1004-09 | – | – | – | – | D10-01 | – | D6-01-200 | JD4-200 |
| | 934-0000 | SP1004-01 | – | – | – | – | D10-01 | – | D6-01-200 | JD4-200 |
| | 934-0000 | SP1004-01 | – | – | – | – | D10-01 | – | D6-01-200 | JD4-200 |
| | 934-0000 | 91004-0090 | 913-0000 | 92600-0540 | 914-0000 | – | 6718-0000 | 4156-0000 | 11831-0000 | 798-0020 |
| | 934-0000 | 91004-0090 | 913-0000 | 92600-0540 | 914-0000 | – | 6718-0000 | 4156-0000 | 11831-0000 | 798-0020 |
| | 934-0000 | 91004-0090 | 913-0000 | 92600-0540 | 914-0000 | – | 6718-0000 | 4156-0000 | 11831-0000 | 798-0020 |
| | 934-0000 | 91004-0090 | 913-0000 | 92600-0540 | 914-0000 | – | 6718-0000 | 4156-0000 | 11831-0000 | 798-0020 |
| | 934-0000 | 91004-0090 | 913-0000 | 92600-0540 | 914-0000 | – | 17941-0000 | 4156-0000 | 11831-0000 | 798-0020 |
| | 934-0000 | 91004-0090 | 913-0000 | 92600-0540 | 914-0000 | – | 6718-0000 | 4156-0000 | 11831-0000 | 798-0020 |
| | 934-0000 | 91004-0090 | 913-0000 | 92600-0540 | 914-0000 | – | 6718-0000 | 4156-0000 | 11831-0000 | 798-0020 |
| | 2431-0000 | 91004-0100 | 913-0000 | 92600-0540 | 914-0000 | – | 6718-0000 | 4156-0000 | 11831-0000 | 798-0020 |
| | – | – | – | – | – | – | – | – | – | – |
| | – | – | – | – | – | – | – | – | – | – |
| | 490-0001 | 91003-0010 | 1554-0000 | 92600-0330 | – | – | 1737-0410 | – | 11836-0000 | 9094-0000 |
| | 490-0001 | 91003-0010 | 1554-0000 | 92600-0330 | – | – | 1737-0410 | – | 11836-0000 | 9094-0000 |
| | 490-0000 | 91003-0010 | – | 18753-0130 | – | 18753-0130 | 18753-0129 | – | 11836-0000 | 18753-0128 |
| | 490-0000 | 91003-0010 | – | 18753-0130 | – | 18753-0130 | 18753-0129 | – | 11836-0000 | 18753-0128 |
| | 490-0000 | 91003-0010 | – | 18753-0130 | – | 18753-0130 | 18753-0129 | – | 11836-0000 | 18753-0128 |

13 Service Parts

FLEXIBLE IMPELLER PUMP SPARES BY PUMP MODEL



| JABSCO PUMP DETAILS | | | | | | | SERVICE KIT LISTING | | | | |
|---------------------------|------------|--------------|-------------------|---------------|----------|-----------------------------|---------------------|-------------------|------------|------------|---------------------|
| MODEL NUMBER *OEM ONLY | UK/ USA | PUMP SIZE | PORT TYPE | MOUNT TYPE | OBSOLETE | ALTERNATE PUMP NUMBER | PART KEY | 1 | 2 | 3 | 4 |
| | | | | | | | KIT NUMBER | GASKET/ O-RING | IMPELLER | WATER SEAL | END COVER SCREWS |
| 2300-9001 | USA | 80 | 1" NPT | Foot | | | 90118-0001 | 890-0000 | 17937-0001 | 96080-0080 | 91003-0010 |
| 2300-9003 | USA | 80 | 1" NPT | Foot | | | 90118-0003 | 890-0000 | 920-0003 | 96080-0080 | 91003-0010 |
| 2300-9004 | USA | 80 | 1" NPT | Foot | | | 90118-0001 | 890-0000 | 17937-0001 | 96080-0080 | 91003-0010 |
| 2300-9005 | USA | 80 | 1" NPT | Foot | | | 90118-0003 | 890-0000 | 920-0003 | 96080-0080 | 91003-0010 |
| 2570-0001 | USA | 200 | 1-3/4" Flanged | Flange | | | 90019-0001 | 816-0000 | 17935-0001 | 6408-0000 | 91095-0060 |
| 2570-0011 | USA | 200 | 1-3/4" Flanged | Flange | | | 90019-0001 | 816-0000 | 17935-0001 | 6408-0000 | 91095-0060 |
| 2570-0011 | UK | 200 | 1-3/4" Flanged | Flange | | | SK19 | 816 | 17935-0001 | 21849 | SP1005-04 |
| 2570-0021 | USA | 200 | 1-3/4" Flanged | Flange | | | 90019-0001 | 816-0000 | 17935-0001 | 6408-0000 | 91095-0060 |
| 2570-0051 | USA | 200 | 1-3/4" Flanged | Flange | | | 90019-0001 | 816-0000 | 17935-0001 | 6408-0000 | 91095-0060 |
| 2570-0151 | USA | 200 | 1-3/4" Flanged | Flange | | | 90019-0001 | 816-0000 | 17935-0001 | 6408-0000 | 91095-0060 |
| 2570-0211 | USA | 200 | 1-3/4" Flanged | Flange | | | 90019-0001 | 816-0000 | 17935-0001 | 6408-0000 | 91095-0060 |
| 2570-3000 | USA | 200 | 1-3/4" Flanged | Flange | | | 90019-0001 | 816-0000 | 17935-0001 | 6408-0000 | 91095-0060 |
| 2620-200 | UK | 20 | 3/8" BSP | Foot | • | | SK20 | 2995-0030 | 673-0001 | SP2700-05 | SP1002-02 |
| 2620-211 | UK | 20 | 3/8" BSP | Foot | • | 2620-200 | SK20 | 2995-0030 | 673-0001 | SP2700-05 | SP1002-02 |
| 2620-221 | UK | 20 | 3/8" BSP | Foot | • | 2620-200 | SK20 | 2995-0030 | 673-0001 | SP2700-05 | SP1002-02 |
| 2620-237 | UK | 20 | 3/8" BSP | Foot | • | | SK20-37 | 2995-0030 | 673-0003 | SP2700-05 | SP1002-02 |
| 2620-252 | UK | 20 | 3/8" BSP | Foot | • | | SK20 | 2995-0030 | 673-0001 | SP2700-05 | SP1002-02 |
| 2620-253 | UK | 20 | 3/8" BSP | Foot | • | | SK20 | 2995-0030 | 673-0001 | SP2700-05 | SP1002-02 |
| 2620-254 | UK | 20 | 3/8" BSP | Foot | • | 2620-252 | SK20-05 | 2442 | 673-0001 | SP2700-05 | SP1002-02 |
| 2620-255 | UK | 20 | 3/8" BSP | Foot | • | | SK20-05 | 2995-0030 | 673-0001 | SP2700-05 | SP1002-02 |
| 2620-271 | UK | 20 | 3/8" BSP | Foot | • | | SK20 | 2995-0030 | 673-0001 | SP2700-05 | SP1002-02 |
| 2620-281 | UK | 20 | 3/8" BSP | Foot | • | 2620-252 | SK20 | 2995-0030 | 673-0001 | SP2700-05 | SP1002-02 |
| 2620-0001 | USA | 20 | 3/8" NPT | Foot | | | 90020-0001 | 2995-0000 | 18673-0001 | 92700-0050 | 91002-0020 |
| 2620-0003 | USA | 20 | 3/8" NPT | Foot | | | 90020-0003 | 2995-0000 | 18673-0003 | 92700-0050 | 91002-0020 |
| 2620-0051 | USA | 20 | 3/8" NPT | Foot | | | 90020-0001 | 2995-0000 | 18673-0001 | 92700-0050 | 91002-0020 |
| 2620-0053 | USA | 20 | 3/8" NPT | Foot | | | 90020-0003 | 2995-0000 | 18673-0003 | 92700-0050 | 91002-0020 |
| 2620-1001 | USA | 20 | 3/8" NPT | Foot | | | 90020-0001 | 18753-0125 | 18673-0001 | 92700-0050 | 91002-0020 |
| 2620-1003 | USA | 20 | 3/8" NPT | Foot | | | 90020-0003 | 18753-0125 | 18673-0003 | 92700-0050 | 91002-0020 |
| 2760-0001 | USA | 10 | 1/4" NPT | Foot | | | 90020-0003 | 1189-0000 | 4528-0001 | 92700-0110 | 91002-0010 |
| 2760-0003 | USA | 20 | 1/4" NPT | Foot | | | 90023-0001 | 1189-0000 | 4528-0003 | 92700-0110 | 91002-0010 |
| 3110-0001 | USA | 200 | 2" Flanged | Flange | | | 90019-0001 | 816-0000 | 17935-0001 | 6408-0000 | 91006-0090 |
| 3110-0011 | USA | 200 | 2" Flanged | Flange | | | 90019-0001 | 816-0000 | 17935-0001 | 6408-0000 | 91006-0090 |
| 3190-0001 | USA | 80 | | | | | – | 890-0000 | 17937-0001 | 92700-0070 | 91003-0010 |
| 3200-0011 | USA | 500 | 2" NPT | Foot | | | 90029-0001 | 3209-0000 | 2999-0001 | 3222-0000 | 91006-0050 |
| 3200-01 | USA | 500 | 2" BSP | Foot | • | | SK29 | 3209 | 2999-0001 | 9309 | SP1006-05 |
| 3200-0011 | USA | 500 | 2" NPT | Foot | | | 90029-0001 | 3209-0000 | 2999-0001 | 3222-0000 | 91006-0050 |
| 3240-0011 | UK | 200 | 2" Flanged | Flange | | | 90019-0001 | 816-0000 | 17935-0001 | 6408-0000 | 91095-0060 |
| 3240-1001 | UK | 200 | 2" Flanged | Flange | | | 90019-0001 | 816-0000 | 17935-0001 | 6408-0000 | 91095-0060 |

| GENERAL PARTS LISTING | | | | | | | | | | |
|-----------------------|------------|-------------------|------------------|--------------------|-------------------|------------|-----------|------------|--------------|--|
| 5 | 6 | 7 | 8 | 9 | 10 | 11 | 12 | 13 | 14 | |
| CAM | CAM SCREW | PUMP END OIL SEAL | PUMP END BEARING | DRIVE END OIL SEAL | DRIVE END BEARING | SHAFT | WEARPLATE | END COVER | BODY | |
| 934-0000 | 91004-0090 | 913-1000 | 92600-0060 | – | – | 6718-0001 | 4156-0000 | 11831-0000 | 798-0030 | |
| 934-0000 | 91004-0090 | 913-0000 | 92600-0060 | – | – | 6718-0001 | 4156-0000 | 11831-0000 | 798-0030 | |
| 934-0000 | 91004-0090 | 913-0000 | 92600-0060 | – | – | 6718-0001 | 4156-0000 | 11831-0000 | 798-0030 | |
| 934-0000 | 91004-0090 | 913-0000 | 92600-0060 | – | – | 6718-0001 | 4156-0000 | 11831-0000 | 798-0030 | |
| 834-0001 | 91005-0040 | 817-0000 | 92600-0040 | – | – | 2567-0000 | 2574-0000 | 12062-0000 | – | |
| 834-0001 | 91005-0040 | 817-0000 | SP2700-50 | – | – | 2567-0000 | 2574-0000 | 12062-0000 | – | |
| 834 | SP1005-04 | – | SP2700-50 | – | SP2600-04 | 21238 | 2574 | 9336 | – | |
| 834-0001 | 91005-0040 | 817-0000 | 92600-0040 | – | – | 2567-0000 | 2574-0000 | 12062-0000 | – | |
| 2551-0000 | 91005-0040 | 817-0000 | 92600-0040 | – | – | 2567-0000 | 2574-0000 | 12062-0000 | – | |
| 2551-0000 | 91005-0040 | 817-0000 | 92600-0040 | – | – | 2567-0000 | 2574-0000 | 12062-0000 | – | |
| 834-0001 | 91005-0040 | 817-0000 | 92600-0040 | – | – | 2567-0000 | 2574-0000 | 12062-0000 | – | |
| 834-0001 | 91005-0040 | 817-0000 | 92600-0040 | – | – | 2567-0000 | 2574-0000 | 12062-0000 | – | |
| 2907-0001 | SP1002-09 | – | – | – | SP2600-09 | 688-21-24 | – | 3992 | 2438-200 | |
| 2907-0001 | SP1002-09 | – | – | – | SP2600-09 | 688-21-24 | – | 3992 | 2438-200 | |
| 2907-0001 | SP1002-09 | – | – | – | SP2600-09 | 355-07-24 | – | 3992 | 2438-200 | |
| 2907-0001 | SP1002-09 | – | – | – | SP2600-09 | 688-21 | – | 3992 | 2438-200 | |
| 2907-0001 | SP1002-09 | – | – | – | SP2600-09 | 355-07-24 | – | 3992 | 2438-200 | |
| 2907-0001 | SP1002-09 | – | – | – | SP2600-09 | 355-07-24 | – | 3992 | 2438-200 | |
| 2441 | SP1002-01 | – | – | – | SP2600-09 | 355-07-24 | – | 2623-254 | 2438-200 | |
| 2441 | SP1010-06 | – | – | – | SP2600-09 | 355-07-24 | – | 3992 | 2438-200 | |
| 2907-0001 | SP1002-09 | – | – | – | SP2600-09 | 355-07-24 | – | 3992 | 2438-200 | |
| 2907-0001 | SP1002-09 | – | – | – | SP2600-09 | 355-07-24 | – | 3992 | 2438-200 | |
| 2907-0000 | 91002-0090 | 3078-0000 | 92600-0330 | – | – | 688-0240 | – | 11830-0000 | 2438-0000 | |
| 2907-0000 | 91002-0090 | 3078-0000 | 92600-0330 | – | – | 688-0240 | – | 11830-0000 | – | |
| 2907-0000 | 91002-0090 | 3078-0000 | 92600-0330 | – | – | 688-0240 | – | 11830-0000 | 2438-0000 | |
| 2907-0000 | 91002-0090 | 3078-0000 | 92600-0330 | – | – | 688-0240 | – | 11830-0000 | 2438-0000 | |
| 2907-0001 | 91002-0090 | – | 92600-0130 | – | 92600-0130 | 18753-0124 | – | 11830-0000 | 18753-0122 | |
| 2907-0001 | 91002-0090 | – | 92600-0130 | – | 92600-0130 | 18753-0124 | – | 11830-0000 | 18753-0122 | |
| 4271-0000 | 91002-0030 | 1041-0000 | 92600-0080 | – | – | 1053-0000 | – | 12066-0000 | 2767-0000 | |
| 4271-0000 | 91002-0030 | 1041-0000 | 92600-0080 | – | – | 1053-0000 | – | 12066-0000 | 2767-0000 | |
| 834-0001 | 91005-0040 | 817-0000 | 92600-0040 | – | – | 2567-0000 | 2574-0000 | 12062-0000 | Not for Sale | |
| 834-0001 | 91005-0040 | 817-0000 | 92600-0040 | – | – | 2567-0000 | 2574-0000 | 12062-0000 | Not for Sale | |
| 7873-0000 | 91003-0020 | 913-0000 | 92600-0060 | 914-0000 | – | Obsolete | 7868-0000 | 11831-0000 | Obsolete | |
| 3210-0000 | 91006-0030 | 3214-0000 | 92600-0160 | – | 92600-0150 | 3207-0000 | 3211-0000 | 12069-0000 | 3204-0000 | |
| 3210 | SP1006-03 | SP2701-21 | SP2600-16 | SP2700-58 | SP2600-15 | 3207 | 9316 | 9448 | 9444 | |
| 3210-0000 | 91006-0030 | 3214-0000 | 92600-0160 | 3213-0000 | 92600-0150 | 3207-0000 | 3211-0000 | 12069-0000 | 3204-0000 | |
| 834-0001 | 91005-0040 | 817-0000 | 92600-0040 | – | – | 2567-0000 | 2574-0000 | 12062-0000 | Proprietary | |
| 834-0001 | 91095-0040 | 817-0000 | 92600-0040 | – | – | 2567-0000 | 2574-0000 | 12062-0000 | Proprietary | |

13 Service Parts

FLEXIBLE IMPELLER PUMP SPARES BY PUMP MODEL



| JABSCO PUMP DETAILS | | | | | | | SERVICE KIT LISTING | | | | |
|---------------------------|------------|--------------|-------------------|---------------|----------|-----------------------------|---------------------|-------------------|------------|------------|---------------------|
| MODEL NUMBER *OEM ONLY | UK/ USA | PUMP SIZE | PORT TYPE | MOUNT TYPE | OBSOLETE | ALTERNATE PUMP NUMBER | PART KEY | 1 | 2 | 3 | 4 |
| | | | | | | | KIT NUMBER | GASKET/ O-RING | IMPELLER | WATER SEAL | END COVER SCREWS |
| 3270-0000 | UK | 40 | 3/4" BSP | Flange | • | | SK33 | 3298 | 1210-0001 | SP2701-21 | SP1002-02 |
| 3270-0001 | USA | 40 | 3/4" NPT | Flange | | | 90033-0001 | 3298-0000 | 1210-0001 | 92700-0060 | 91002-0020 |
| 3270-1951 | UK | 40 | 3/4" BSP | Flange | • | | SK33 | 3298 | 1210-0001 | SP2701-21 | SP1002-02 |
| 3270-20 | UK | 40 | 3/4" BSP | Flange | • | | SK33 | 3298 | 1210-0001 | SP2701-21 | SP1002-02 |
| 3270-200 | UK | 40 | 3/4" BSP | Flange | • | 29500-1001 | SK271 | 3298 | 1210-0001 | SP2701-21 | SP1002-02 |
| 3270-205 | UK | 40 | 3/4" BSP | Flange | • | | SK33 | 3298 | 1210-0001 | SP2701-21 | SP1002-02 |
| 3270-2101 | UK | 40 | 3/4" BSP | Flange | • | | SK271 | 3298 | 1210-0001 | SP2701-21 | SP1002-02 |
| 3270-2301 | UK | 40 | 3/4" BSP | Flange | • | | SK33 | 3298 | 1210-0001 | SP2701-21 | SP1002-02 |
| 3270-2401 | UK | 40 | 3/4" BSP | Flange | • | | SK33 | 3298 | 1210-0001 | SP2701-21 | SP1002-02 |
| 3270-241 | UK | 40 | 3/4" BSP | Flange | • | | SK271 | 3298 | 1210-0001 | SP2701-21 | SP1002-02 |
| 3270-251 | UK | 40 | 3/4" BSP | Flange | • | | SK33 | 3298 | 1210-0001 | SP2701-21 | SP1002-02 |
| 3270-261 | UK | 40 | 3/4" BSP | Flange | • | | SK33 | 3298 | 1210-0001 | SP2701-21 | SP1002-02 |
| 3270-271 | UK | 40 | 3/4" BSP | Flange | • | | SK271 | 3298 | 1210-0001 | SP2701-21 | SP1002-02 |
| 3270-2801 | UK | 40 | 3/4" BSP | Flange | • | | SK271 | 3298 | 1210-0001 | SP2701-21 | SP1002-02 |
| 3280-200 | UK | 40 | 3/4" BSP | Flange | • | | SK33 | 3298 | 1210-0001 | SP2701-21 | SP1002-02 |
| 3370-200 | UK | 40 | 3/4" BSP | Flange | • | 9970-200 | SK33 | 3298 | 1210-0001 | SP2701-21 | SP1002-02 |
| 3370-201 | UK | 40 | 3/4" BSP | Flange | • | | SK33 | 3298 | 1210-0001 | SP2701-21 | SP1002-02 |
| 3370-221 | UK | 40 | 3/4" BSP | Flange | • | | SK33 | 3298 | 1210-0001 | SP2701-21 | SP1002-02 |
| 3370-241 | UK | 40 | 3/4" BSP | Flange | • | | SK33 | 3298 | 1210-0001 | SP2701-21 | SP1002-02 |
| 3370-251 | UK | 40 | 3/4" BSP | Flange | • | 9970-261 | SK33 | 3298 | 1210-0001 | SP2701-21 | SP1002-02 |
| 3370-271 | UK | 40 | 3/4" BSP | Flange | • | | SK33 | 3298 | 1210-0001 | SP2701-21 | SP1002-02 |
| 3380-0001 | USA | 40 | 1/2" NPT | Flange | | | 90033-0001 | 5212-0000 | 1210-0001 | 92700-0060 | 91002-0020 |
| 3380-200 | UK | 40 | 3/4" BSP | Flange | • | 9970-200 | SK33 | 3298 | 1210-0001 | SP2701-21 | SP1002-02 |
| 3380-221 | UK | 40 | 1/2" BSP | Flange | • | 9970-200 | SK33 | 3298 | 1210-0001 | SP2701-21 | SP1002-02 |
| 3570 | UK | 200 | 1-3/4" Flanged | Flange | | | SK375-0101 | 816 | 17935-0001 | 21849 | SP1005-04 |
| 3570-0001 | UK | 200 | 1-1/2" Flanged | Flange | | | 90019-0001 | 816-0000 | 17935-0001 | 6408-0000 | 91095-0060 |
| 3590-9001 | UK | 80 | 1-3/4" Flanged | Flange | | | 90118-0001 | 2432-0000 | 17937-0001 | 96080-0080 | 91003-0010 |
| 3890-9011 | UK | 40 | 3/4" NPT | Foot | | | 90111-0011 | 3298-0000 | 1210-0001 | 96080-0080 | 91000-0020 |
| 4160 | UK | 80 | Ø 32 Hose | Flange | • | | - | - | - | - | - |
| 4330-01 | UK | 80 | Ø 32 Hose/ Flange | Flange | • | | - | - | - | - | - |
| 4360 | UK | 200 | 1-1/2" Flanged | Flange | • | | SK230 | 816 | 836-0001 | 21849 | SP1005-04 |
| 4410 | UK | 40 | 1/2" BSP | Flange | • | | SK242 | 4908 | 4568-0001 | SP2701-01 | SP6060-02 |
| 4530-0001 | USA | 10 | 1/4" NPT | Foot | | | 90001-0001 | 1126-0000 | 4528-0001 | 4539-0000 | 91002-0010 |
| 4530-0003 | USA | 10 | 1/4" NPT | Foot | | | 90001-0003 | 1126-0000 | 4528-0003 | 4539-0000 | 91002-0010 |
| 4540-0001 | USA | 20 | 3/8" NPT | Foot | | | 90002-0001 | 2995-0000 | 4527-0001 | 4549-0000 | 91002-0010 |
| 4540-0003 | USA | 20 | 3/8" NPT | Foot | | | 90002-0003 | 2995-0000 | 4527-0003 | 4549-0000 | 91002-0010 |
| 4560-0001 | USA | 40 | 1/2" NPT | Foot | | | 90003-0001 | 7083-0000 | 4568-0001 | 3791-0000 | 91002-0020 |
| 4560-0003 | USA | 40 | 1/2" NPT | Foot | | | 90003-0003 | 7083-0000 | 4568-0003 | 3791-0000 | 91002-0020 |
| 4590-0001 | USA | 80 | 3/4" NPT | Foot | | | 90004-0001 | 706-0010 | 4598-0001 | 3791-0000 | 91003-0010 |

| GENERAL PARTS LISTING | | | | | | | | | | |
|-----------------------|------------|-------------------|------------------|--------------------|-------------------|------------|-----------|------------|-----------|--|
| 5 | 6 | 7 | 8 | 9 | 10 | 11 | 12 | 13 | 14 | |
| CAM | CAM SCREW | PUMP END OIL SEAL | PUMP END BEARING | DRIVE END OIL SEAL | DRIVE END BEARING | SHAFT | WEARPLATE | END COVER | BODY | |
| 7876 | SP1003-01 | SP2701-21 | SP2600-01 | SP2700-58 | SP2600-01 | 3277 | 7883 | 3275 | 3274 | |
| 7884-0000 | 91003-0010 | 92700-0180 | 92600-0070 | – | – | 3277-0000 | – | 11830-0000 | 3274-0000 | |
| 10538 | SP1003-09 | SP2701-21 | SP2601-0451 | – | SP2601-0451 | 23396-0000 | Assy 5211 | 3992 | 3274-200 | |
| 7876 | SP1003-01 | SP2701-21 | SP2600-07 | – | – | 3277 | 7883 | 3992 | 3274-200 | |
| 7876 | SP1003-01 | SP2701-21 | SP2600-07 | – | – | 3277 | 7883 | 3992 | 3274-200 | |
| 10538 | SP1003-09 | SP2701-21 | SP2600-07 | – | – | 3277 | Assy 5211 | 3992 | 3274-200 | |
| 7876 | SP1003-01 | SP2701-21 | SP2600-07 | – | – | 3277 | 7883 | 3992 | 3274-2100 | |
| 7876 | SP1003-01 | SP2701-21 | SP2600-07 | – | – | 3277 | 7883 | 3992 | 3274-2100 | |
| 7876 | SP1003-01 | SP2701-21 | SP2600-07 | – | – | 3277 | 7883 | 3992 | 3274-2100 | |
| 7876 | SP1003-01 | SP2701-21 | SP2600-07 | – | – | 3277 | 7883 | 3992 | 3274-200 | |
| 7876 | SP1003-01 | SP2701-21 | SP2600-07 | – | – | 3277 | Assy 7884 | 3992 | 3274-200 | |
| 7876 | SP1003-01 | SP2701-21 | SP2600-07 | – | – | 3277 | Assy 7884 | 3992 | 3274-200 | |
| 7876 | SP1003-01 | SP2701-21 | SP2600-07 | – | – | 3277 | 7883 | 3992 | 3274-200 | |
| 7876 | SP1003-01 | SP2701-21 | SP2601-0451 | – | SP2601-0451 | 23027-0000 | 7883 | 3992 | 3274-200 | |
| 10538 | SP1003-09 | SP2701-21 | SP2600-07 | – | – | 3277 | 7883 | 3992 | 3284-200 | |
| 7876 | SP1003-01 | SP2701-21 | SP2600-13 | – | SP2600-13 | 5857 | Assy 7884 | 3992 | 3274-200 | |
| 10538 | SP1003-09 | SP2701-21 | SP2600-13 | – | SP2600-13 | 5857 | 7883 | 3992 | 3274-201 | |
| 7876 | SP1003-01 | SP2701-21 | SP2600-13 | – | SP2600-13 | 3277-21 | Assy 7884 | 3992 | 3274-200 | |
| 10538 | SP1003-09 | SP2701-21 | SP2600-13 | – | SP2600-13 | 5857 | 7883 | 3992 | 3274-200 | |
| Assy 7884 | SP1003-01 | SP2701-21 | SP2600-13 | – | SP2600-13 | 9647 | Assy 7884 | 3992 | 3274-251 | |
| Assy 7884 | SP1003-01 | SP2701-21 | SP2600-13 | – | SP2600-13 | 5857 | Assy 7884 | 3992 | 3274-200 | |
| 5211-0000 | 91003-0090 | 92700-0060 | 92600-0130 | – | 92600-0130 | 5857-0000 | – | 11830-0000 | 3384-0000 | |
| Assy 5211 | SP1003-07 | SP2701-21 | SP2600-13 | – | SP2600-13 | 5857 | Assy 5211 | 3992 | 3384 | |
| Assy 5211 | SP1003-07 | SP2701-21 | SP2600-13 | – | SP2600-13 | 9647 | Assy 5211 | 3992 | 3384 | |
| Assy 7257 | SP1005-04 | SP2700-51 | – | SP2700-49 | SP2600-04 | 3577-0020 | Assy 7257 | 9336 | 3574 | |
| 7256-0000 | 91005-0040 | 818-0000 | 92600-0040 | – | – | 3577-0000 | 2574-0000 | 12062-0000 | Obsolete | |
| 7957-0000 | 91004-0090 | 92700-0200 | 92600-0060 | – | – | Obsolete | 7957-0000 | Obsolete | Obsolete | |
| 7884-0000 | 91003-0010 | 92700-0180 | 92600-0070 | – | – | 3897-9000 | 7884-0000 | 11831-0000 | 3894-0010 | |
| – | – | – | – | – | – | – | – | – | – | |
| – | – | – | – | – | – | – | – | – | – | |
| 834 | SP1005-04 | SP2704-01 | SP2600-20 | SP2704-02 | SP2600-20 | 4367 | 2574 | 9336 | 4364 | |
| 6396 | SP1003-01 | – | – | – | – | 4417 | 5097 | 4905 | 4414 | |
| 4538-0000 | 91002-0020 | – | – | – | – | 4537-0000 | – | 11835-0000 | 4534-0000 | |
| 4538-0000 | 91002-0020 | – | – | – | – | 4537-0000 | – | 11835-0000 | 4534-0000 | |
| 2907-0000 | 91002-0020 | – | – | – | – | 4547-0000 | – | 11830-0000 | 4544-0000 | |
| 2907-0000 | 91002-0020 | – | – | – | – | 4547-0000 | – | 11830-0000 | 4544-0000 | |
| 490-0001 | 91003-0070 | – | – | – | – | 4567-0000 | – | 4565-0000 | 4564-0000 | |
| 490-0001 | 91003-0070 | – | – | – | – | 4567-0000 | – | 4565-0000 | 4564-0000 | |
| 17612-0000 | 91004-0010 | – | – | – | – | 4597-0000 | – | 4595-0000 | 4594-0000 | |

13 Service Parts

FLEXIBLE IMPELLER PUMP SPARES BY PUMP MODEL



| JABSCO PUMP DETAILS | | | | | | | SERVICE KIT LISTING | | | | |
|---------------------------|------------|--------------|----------------|---------------|----------|-----------------------------|---------------------|-------------------|-----------|------------|---------------------|
| MODEL NUMBER *OEM ONLY | UK/ USA | PUMP SIZE | PORT TYPE | MOUNT TYPE | OBSOLETE | ALTERNATE PUMP NUMBER | PART KEY | 1 | 2 | 3 | 4 |
| | | | | | | | KIT NUMBER | GASKET/ O-RING | IMPELLER | WATER SEAL | END COVER SCREWS |
| 4590-0003 | USA | 80 | 3/4" NPT | Foot | | | 90004-0003 | 706-0010 | 4598-0003 | 3791-0000 | 91003-0010 |
| 4620-0001 | USA | 80 | 1" NPT | Foot | | | 90004-0001 | 706-0010 | 4598-0001 | 3791-0000 | 91003-0010 |
| 4620-0003 | USA | 80 | 1" NPT | Foot | | | 90004-0003 | 706-0010 | 4598-0003 | 3791-0000 | 91003-0010 |
| 4760 | UK | 20 | 3/4" BSP | Flange | • | | SK228 | 2995-0030 | 673-0001 | SP2701-04 | SP1002-01 |
| 4760-01 | UK | 20 | 3/4" BSP | Flange | • | | SK228 | 2995-0030 | 673-0001 | SP2701-04 | SP1002-01 |
| 4760-101 | UK | 20 | 3/4" BSP | Flange | • | | SK228 | 2995-0030 | 673-0001 | SP2701-04 | SP1002-01 |
| 4760-111 | UK | 20 | 3/4" BSP | Flange | • | | SK228 | 2995-0030 | 673-0001 | SP2701-04 | SP1002-01 |
| 4760-141 | UK | 20 | 3/4" BSP | Flange | • | | SK228 | 2995-0030 | 673-0001 | SP2701-04 | SP1002-01 |
| 4760-151 | UK | 20 | 3/4" BSP | Flange | • | | SK228 | 2995-0030 | 673-0001 | SP2701-04 | SP1002-01 |
| 4760-21 | UK | 20 | 3/4" BSP | Flange | • | | SK228 | 2995-0030 | 673-0001 | SP2701-04 | SP1002-01 |
| 4760-41 | UK | 20 | 1/2" BSP | Flange | • | | SK228 | 2995-0030 | 673-0001 | SP2701-04 | SP1002-01 |
| 4760-51 | UK | 20 | 3/4" BSP | Flange | • | | SK228 | 2995-0030 | 673-0001 | SP2701-04 | SP1002-01 |
| 4760-61 | UK | 20 | 3/4" BSP | Flange | • | | SK228 | 2995-0030 | 673-0001 | SP2701-04 | SP1002-01 |
| 4760-71 | UK | 20 | 3/4" BSP | Flange | • | | SK228 | 2995-0030 | 673-0001 | SP2701-04 | SP1002-01 |
| 4760-81 | UK | 20 | 3/4" BSP | Flange | • | | SK228 | 2995-0030 | 673-0001 | SP2701-04 | SP1002-01 |
| 4760-91 | UK | 20 | 1/2" BSP | Flange | • | | SK228 | 2995-0030 | 673-0001 | SP2701-04 | SP1002-01 |
| 4780 | UK | 10 | 3/4" BSP | Flange | • | | SK217 | 1126 | 4528-0001 | SP2701-09 | SP1002-01 |
| 4800-101 | UK | 200 | 1-1/2" Flanged | Flange | • | | SK230 | 816 | 836-0001 | 21849 | SP1005-04 |
| 4800-111 | UK | 200 | 1-1/2" Flanged | Flange | • | 11790 | SK230 | 816 | 836-0001 | 21849 | SP1005-04 |
| 4800-161 | UK | 200 | 1-1/2" Flanged | Flange | • | | SK230 | 816 | 836-0001 | 21849 | SP1005-04 |
| 4800-171 | UK | 200 | 1-3/4" Flanged | Flange | • | | SK230 | 816 | 836-0001 | 21849 | SP1005-04 |
| 4800-21 | UK | 200 | 1-1/2" BSP | Flange | • | 4800-21-01 | SK230 | 816 | 836-0001 | 21849 | SP1005-04 |
| 4800-21-01 | UK | 200 | 1-1/2" Flanged | Flange | • | | SK230 | 816 | 836-0001 | 21849 | SP1005-04 |
| 4800-41 | UK | 200 | 1-3/4" Flanged | Flange | • | | SK230 | 816 | 836-0001 | 21849 | SP1005-04 |
| 4800-51 | UK | 200 | 1-1/2" Flanged | Flange | • | | SK230 | 816 | 836-0001 | 21849 | SP1005-04 |
| 4800-53 | UK | 200 | 1-3/4" Flanged | Flange | • | | SK230 | 816 | 836-0001 | 21849 | SP1005-04 |
| 4800-54 | UK | 200 | 1-1/2" Flanged | Flange | • | | SK230 | 816 | 836-0001 | 21849 | SP1005-04 |
| 4800-71 | UK | 200 | 1-1/2" Flanged | Flange | • | | SK230 | 816 | 836-0001 | 21849 | SP1005-04 |
| 4850 | UK | 80 | Ø 32 Hose | Flange | • | 9750 | – | 3101 | 920-08 | SP2700-06 | SP1003-09 |
| 4860 | UK | 80 | Ø 32 Hose | Flange | • | 9760 | – | 3101 | 920-08 | SP2700-06 | SP1003-09 |
| 4900-01 | UK | 40 | 1/2" BSP | Foot | • | | SK234 | 4908 | 4568-0001 | 3791 | SP1003-09 |
| 4900-200 | UK | 40 | 1/2" BSP | Foot | | | SK234 | 4908 | 4568-0001 | 3791 | SP1003-09 |
| 4900-201 | UK | 40 | 1/2" BSP | Foot | • | | SK234 | 4908 | 4568-0001 | 3791 | SP1003-09 |
| 4900-205 | UK | 40 | 1/2" BSP | Foot | • | | SK234 | 4908 | 4568-0001 | 3791 | SP1003-09 |
| 4900-237 | UK | 40 | 1/2" BSP | Foot | • | | SK234-37 | 4908 | 4568-0003 | 3791 | SP1003-09 |
| 5320-0011 | USA | 20 | 3/8" NPT | Foot | | | 90044-0001 | 2995-0000 | 5616-0001 | 92700-0420 | 91002-0020 |

| GENERAL PARTS LISTING | | | | | | | | | | |
|-----------------------|------------|-------------------|------------------|--------------------|-------------------|-----------|-----------|------------|-----------|--|
| 5 | 6 | 7 | 8 | 9 | 10 | 11 | 12 | 13 | 14 | |
| CAM | CAM SCREW | PUMP END OIL SEAL | PUMP END BEARING | DRIVE END OIL SEAL | DRIVE END BEARING | SHAFT | WEARPLATE | END COVER | BODY | |
| 17612-0000 | 91004-0010 | – | – | – | – | 4597-0000 | – | 4595-0000 | 4594-0000 | |
| 17612-0000 | 91004-0010 | – | – | – | – | 4597-0000 | – | 4595-0000 | 4624-0000 | |
| 17612-0000 | 91004-0010 | – | – | – | – | 4597-0000 | – | 4595-0000 | 4624-0000 | |
| 4454 | SP1002-09 | – | – | – | – | 4766 | 4466 | 3992 | 4764 | |
| 4454 | SP1002-09 | – | – | – | – | 4998 | 4466 | 3992 | 4764 | |
| 4454 | SP1002-09 | – | – | – | – | 4766-101 | 4466 | 3992 | 4764-41 | |
| 4454 | SP1002-09 | – | – | – | – | 4766-111 | 4466 | 3992 | 4764 | |
| 4454 | SP1002-09 | – | – | – | – | 4766-141 | 4466 | 3992 | 4764-41 | |
| 4454 | SP1002-09 | – | – | – | – | 4766-151 | 4466 | 3992 | 4764 | |
| 4454 | SP1002-09 | – | – | – | – | 4766-21 | 4466 | 3992 | 4764 | |
| 4454 | SP1002-09 | – | – | – | – | 4766 | 4466 | 3992 | 4764-41 | |
| 4454 | SP1002-09 | – | – | – | – | 4766 | 4466 | 3992 | 4764-41 | |
| 4454 | SP1002-09 | – | – | – | – | 4767-61 | 4466 | 3992 | 4764-41 | |
| 4454 | SP1002-09 | – | – | – | – | 4766-71 | 4466 | 3992 | 4764-71 | |
| 4454 | SP1002-09 | – | – | – | – | 4766-81 | 4466 | 3992 | 4674 | |
| 4454 | SP1002-09 | – | – | – | – | 4766-91 | 4466 | 3992 | 4674 | |
| AL8-01 | SP1002-01 | – | – | – | – | Assy 4787 | – | AL6-200 | 4784 | |
| 2551 | SP1005-05 | SP2700-51 | – | – | SP2600-03 | 4338-07 | 2574 | 9336 | 4804-01 | |
| 834 | SP1005-04 | SP2700-51 | – | – | SP2600-03 | 4338-07 | 2574 | 9336 | 4804-01 | |
| 834 | SP1005-04 | SP2700-51 | – | – | SP2600-03 | 4388 | 2574 | 4807-161 | 4804-01 | |
| 2551 | SP1005-05 | SP2700-51 | – | – | SP2600-03 | 4388 | 2574 | 4807-181 | 4804 | |
| 2551 | SP1005-05 | SP2700-51 | – | – | SP2600-18 | 4388-07 | 2574 | 9336 | 4804 | |
| 2551 | SP1005-05 | SP2700-51 | – | – | SP2600-18 | 4388-07 | 2574 | 9336 | 4804 | |
| 834 | SP1005-04 | SP2700-51 | – | – | SP2600-18 | 4388-07 | 2574 | 9336 | 4804 | |
| 2551 | SP1005-05 | SP2700-51 | – | – | SP2600-18 | 4388 | 2574 | 4807-51 | 4804-01 | |
| 834 | SP1005-04 | SP2700-51 | – | – | SP2600-03 | 4388-53 | 2574 | 9336 | 4804-01 | |
| 834 | SP1005-04 | SP2700-51 | – | – | SP2600-18 | 4388-07 | 2574 | 9336 | 4804-01 | |
| 834 | SP1005-04 | SP2700-51 | – | – | SP2600-03 | 4388-07 | 2574 | 9336 | 4804-01 | |
| 5418 | SP1003-09 | SP2700-07 | SP2601-19 | – | SP2601-04 | 4857 | 5419 | 4855 | 4854 | |
| 5418 | SP1003-09 | SP2700-07 | SP2600-07 | – | SP2600-01 | 4867 | 5419 | 4855 | 4854 | |
| 490b | SP1003-07 | – | – | – | – | C10 | – | 4905 | 4904 | |
| 490 | SP1003-07 | – | – | – | – | C10-01 | – | 4905 | 4904-200 | |
| 490 | SP1003-07 | – | – | – | – | C10-01 | – | 4905 | 4904-200 | |
| 10336 | SP1003-10 | – | – | – | – | C10-01 | – | 4905 | 4904-200 | |
| 490 | SP1003-07 | – | – | – | – | C10-01 | – | 4905 | 4904-200 | |
| 7895-0000 | 91002-0090 | – | – | – | – | 6020-0000 | – | 11830-0000 | 4484-0000 | |

13 Service Parts

FLEXIBLE IMPELLER PUMP SPARES BY PUMP MODEL



| JABSCO PUMP DETAILS | | | | | | | SERVICE KIT LISTING | | | | |
|---------------------------|------------|--------------|----------------------|---------------|----------|-----------------------------|---------------------|--------------------------------------|------------|-------------|---------------------|
| MODEL NUMBER *OEM ONLY | UK/ USA | PUMP SIZE | PORT TYPE | MOUNT TYPE | OBSOLETE | ALTERNATE PUMP NUMBER | PART KEY | 1 | 2 | 3 | 4 |
| | | | | | | | KIT NUMBER | GASKET/ O-RING | IMPELLER | WATER SEAL | END COVER SCREWS |
| 5330-9001 | USA | 80 | 1" NPT | Foot | | | 90118-0001 | 3101-0000 | 17937-0001 | 96080-0080 | 91003-0010 |
| 5330-9101 | USA | 80 | 1" NPT | Foot | | | 90118-0001 | 890-0000 | 17937-0001 | 96080-0080 | 91003-0010 |
| 5400-205 | UK | 80 | 1-3/4" BSP | Foot | • | 52200-2051 | SK406-0001 | 890 | 17937-0001 | – | – |
| 5460 | UK | 20 | 3/8" BSP | Flange | • | | – | 5466 | 673-0001 | SP2701-04 | SP1011-01 |
| 5560-0001 | USA | 40 | 1" NPT | Flange | | | 90051-0001 | 3298-0000 | 1210-0001 | 92700-0060 | 91002-0020 |
| 5640 | UK | 20 | | | • | | SK228 | 2995-0030 | 673-0001 | SP2701-04 | SP1003-01 |
| 5660-0001 | USA | 40 | 1/2" NPT | Flange | | | 90051-0001 | 3298-0000 | 1210-0001 | 92700-0060 | 91002-0020 |
| 5840-0000 | UK | 80 | | | | | 90010-0001 | 3101-0000 | 17937-0001 | 92700-0060 | 91003-0010 |
| 5850-0001 | UK | 40 | 3/4" NPT | Flange | | | SK33 | 3298 | 12104-0001 | SP2701-21 | SP1002-02 |
| 5850-0001 | USA | 40 | 3/4" NPT | Flange | | | 90033-0001 | 3298-0000 | 12104-0001 | 92700-0060 | 91002-0020 |
| 5870 | UK | 5 | 1/2" BSP | Flange | • | | – | 5878 | 12104-0001 | SP2701-09 | SP1002-09 |
| 6030-21 | UK | 80 | 1" Flanged | Flange | • | | SK236 | 890 | 17937-0001 | SP2701-21 | SP1003-09 |
| 6030-41 | UK | 80 | 1" Flanged | Flange | • | | SK236 | 890 | 17937-0001 | SP2701-21 | SP1003-09 |
| 6030-61 | UK | 80 | 1" Flanged | Flange | • | | SK236 | 890 | 17937-0001 | SP2701-21 | SP1003-09 |
| 6030-71 | UK | 80 | 1" Flanged | Flange | • | | SK236 | 890 | 17937-0001 | SP2701-21 | SP1003-09 |
| 6330 | UK | 80 | Ø 32 Hose/ Flange | Flange | • | | SK237 | 890 | 4325-0480 | SP2701-06 | SP1003-11 |
| 6400-0001 | USA | 200 | 1-1/4" NPT | Foot | | | 90062-0001 | 816-0000 | 17935-0001 | 6407-0010 | 91005-0040 |
| 6400-0004 | USA | 200 | 1-1/4" NPT | Foot | | | 90062-0001 | 816-0000 | 17935-0001 | 6407-0010 | 91005-0040 |
| 6400-0051 | USA | 200 | 1-1/4" NPT | Foot | | | 90062-0001 | 816-0000 | 17935-0001 | 6407-0010 | 91005-0040 |
| 6400-1051 | USA | 200 | 1-1/4" NPT | Foot | | | 90062-0001 | 816-0000 | 17935-0001 | 6407-0010 | 91005-0040 |
| 6400-200 | UK | 200 | 1-1/4" BSP | Foot | • | 52200-2001 | SK230 | 816 | 836-0001 | 21849 | SP1005-04 |
| 6400-205 | UK | 200 | 1-1/4" BSP | Foot | • | 52200-2051 | SK230 | 816 | 836-0001 | 21849 | SP1005-04 |
| 6400-207 | UK | 200 | 1-1/4" BSP | Foot | • | 52200-2001 | SK230 | 816 | 836-0001 | 21849 | SP1005-04 |
| 6420-0101 | USA | 80 | 1" NPT | Foot | • | 52220-0011 | SK236 | 890 | 17937-0001 | SP2701-21 | SP1003-09 |
| 6420-200 | UK | 80 | 1" BSP | Foot | • | 52080-2001 | SK236 | 890 | 17937-0001 | SP2701-21 | SP1003-09 |
| 6420-2001 | UK | 80 | 1" BSP | Foot | • | 52080-2001 | SK385-0201 | 890 | 17937-0001 | SP2700-1027 | SP1003-09 |
| 6420-204 | UK | 80 | 1" BSP | Foot | • | 52080-2041 | SK236 | 890 | 17937-0001 | SP2701-21 | SP1003-09 |
| 6420-2041 | UK | 80 | 1" BSP | Foot | • | 52080-2041 | SK385-0201 | 3101 | 17937-0001 | SP2700-1027 | SP1003-09 |
| 6420-205 | UK | 80 | 1" BSP | Foot | • | 52080-2051 | SK236 | 890 | 17937-0001 | SP2701-21 | SP1003-09 |
| 6420-2051 | UK | 80 | 1" BSP | Foot | • | 52080-2051 | SK385-0201 | 2432 | 17937-0001 | SP2700-1027 | SP1003-09 |
| 6490-122 | UK | 40 | 1/2" BSP | Foot | • | | SK225-01 | 6496 | 1210-0001 | SP2701-21 | SP1003-09 |
| 6490-123 | UK | 40 | 1/2" BSP | Foot | • | | SK225-01 | 6496 | 1210-0001 | SP2701-21 | SP1003-09 |
| 6490-132 | UK | 40 | 1/2" BSP | Foot | • | | SK225-01 | 6496 | 1210-0001 | SP2701-21 | SP1003-09 |
| 6490-152 | UK | 40 | Ø 25 Hose | Foot | • | | SK225-01 | Use 23299 Kit to upgrade to 6490-122 | | | |
| 6490-153 | UK | 40 | 1/2" BSP | Foot | • | | SK225-01 | Use 23298 Kit to upgrade to 6490-123 | | | |
| 6490-200 | UK | 40 | 1/2" BSP | Foot | • | | SK225-01 | 6496 | 1210-0001 | SP2701-21 | SP1003-09 |

| GENERAL PARTS LISTING | | | | | | | | | | |
|--------------------------------------|------------|-------------------|------------------|--------------------|-------------------|------------|-------------|------------|-------------|--|
| 5 | 6 | 7 | 8 | 9 | 10 | 11 | 12 | 13 | 14 | |
| CAM | CAM SCREW | PUMP END OIL SEAL | PUMP END BEARING | DRIVE END OIL SEAL | DRIVE END BEARING | SHAFT | WEARPLATE | END COVER | BODY | |
| 7867-0000 | 91003-0010 | 913-0000 | 92600-0060 | – | – | 5337-0000 | 7868-0000 | 11831-0000 | 3784-9000 | |
| 17612-0001 | 91004-0090 | 913-0000 | 92600-0060 | – | – | 5337-0000 | 7868-0000 | 11831-0000 | 3784-9000 | |
| – | – | – | – | – | – | – | – | – | – | |
| 2907-0001 | SP1002-01 | – | – | – | – | 5467 | – | 5465 | 5464 | |
| 7607-0000 | 91003-0010 | 913-0000 | 92600-0060 | – | – | Obsolete | 7607-0000 | 11830-0000 | Obsolete | |
| 4454 | SP1002-01 | – | – | – | – | 5647 | 4466 | – | 5644 | |
| 7607-0000 | 91003-0010 | 913-0000 | 92600-0060 | – | – | Obsolete | 7607-0000 | 11830-0000 | Obsolete | |
| 3255-0000 | 91004-0090 | 913-0000 | 92600-0060 | – | – | 5847-0000 | 4156-0000 | 11831-0000 | Proprietary | |
| Assy 7884 | SP1003-01 | SP2701-21 | SP2600-13 | – | SP2600-13 | 5857 | Assy 7884 | 3992 | 5854 | |
| 7884-0000 | 91003-0010 | 92700-0060 | 92600-0130 | – | 92600-0130 | 5857-0000 | 7884-0000 | 11830-0000 | 5854-0000 | |
| 5868 | SP1002-01 | SP2701-09 | – | – | – | 5877 | 5876 | 5875 | 5874 | |
| 934-0000 | SP1004-09 | SP2701-48 | – | SP2701-11 | SP2600-06 | 6037 | 4156 | 3993 | 6034 | |
| 2431 | SP1004-10 | SP2701-48 | – | SP2701-11 | SP2600-06 | 6037 | 4156 | 3993 | 6034 | |
| 3255 | SP1004-11 | SP2701-48 | – | SP2701-11 | SP2600-06 | 6037 | 4156 | 3993 | 6034 | |
| 934-0000 | SP1004-09 | SP2700-48 | – | – | SP2600-31 | 6037 | 4156 | 3993 | 6034 | |
| 4329 | SP1004-09 | SP2701-06 | SP2600-13 | SP2701-06 | SP2600-13 | 4337 | 3196-01 ext | 6335 | 6334 | |
| 834-0001 | 91005-0040 | 817-0000 | 92600-0040 | 818-0000 | – | 824-0020 | 2574-0000 | 12062-0000 | 6404-0000 | |
| 834-0001 | 91005-0040 | 817-0000 | 92600-0040 | 818-0000 | – | 824-0020 | 2574-0000 | 12062-0000 | 6404-0000 | |
| 2551-0000 | 91005-0050 | 817-0000 | 92600-0040 | 818-0000 | – | 824-0020 | 2574-0000 | 12062-0000 | 6404-0000 | |
| 2551-0000 | 91005-0050 | 817-0000 | 92600-0040 | 818-0000 | – | 824-2001 | 2574-0000 | 12062-0000 | 6404-1000 | |
| 834 | SP1005-04 | SP2700-50 | – | SP2700-49 | SP2600-04 | 9527 | 2574 | 9336 | 6404-200 | |
| 2551 | SP1005-05 | SP2700-50 | – | SP2700-49 | SP2600-04 | 9527 | 2574 | 9336 | 6404-200 | |
| 834 | SP1005-04 | SP2700-50 | – | SP2700-49 | SP2600-04 | 9527 | 2574 | 9336 | 6404-200 | |
| 934-0000 | SP1004-09 | SP2700-48 | – | SP2700-47 | SP2600-06 | 6718 | 4156 | 3993 | 6424 | |
| 934-0000 | SP1004-09 | SP2700-48 | – | SP2700-47 | SP2600-06 | 6718-21 | 4156 | 3993 | 6424 | |
| 934-0000 | SP1004-09 | SP2700-48 | – | SP2700-47 | SP2600-06 | 6718-21 | 4156 | 3993 | 6424-2200 | |
| 3255 | SP1004-10 | SP2700-48 | – | SP2700-47 | SP2600-06 | 6718-21 | 4156 | 3993 | 6424-2200 | |
| 3255 | SP1004-10 | SP2700-48 | – | SP2700-47 | SP2600-06 | 6718-21 | 4156 | 3993 | 6424-2200 | |
| 2431 | SP1004-10 | SP2700-48 | – | SP2700-47 | SP2600-06 | 6718-21 | 4156 | 3993 | 6424-2200 | |
| 2431 | SP1004-10 | SP2700-48 | – | SP2700-47 | SP2600-06 | 6718-21 | 4156 | 3993 | 6424-2200 | |
| 490 | SP1003-01 | – | – | – | SP2600-09 | 1737-207 | – | 3993 | 21634 | |
| 490 | SP1003-01 | – | – | – | SP2600-09 | 1737-207 | – | 3993 | 21634 | |
| 490 | SP1003-01 | – | – | – | SP2600-09 | 1737-207 | – | 3993 | 21634 | |
| Use 23299 Kit to upgrade to 6490-122 | | | | | | | | | | |
| Use 23298 Kit to upgrade to 6490-123 | | | | | | | | | | |
| 490 | SP1003-01 | – | – | – | SP2600-09 | 1737-24-01 | – | 3993 | 6494-200 | |

13 Service Parts

FLEXIBLE IMPELLER PUMP SPARES BY PUMP MODEL



| JABSCO PUMP DETAILS | | | | | | | SERVICE KIT LISTING | | | | |
|---------------------------|------------|--------------|------------|---------------|----------|-----------------------------|---------------------|--------------------------------------|------------|-------------|---------------------|
| MODEL NUMBER *OEM ONLY | UK/ USA | PUMP SIZE | PORT TYPE | MOUNT TYPE | OBSOLETE | ALTERNATE PUMP NUMBER | PART KEY | 1 | 2 | 3 | 4 |
| | | | | | | | KIT NUMBER | GASKET/ O-RING | IMPELLER | WATER SEAL | END COVER SCREWS |
| 6490-210 | UK | 40 | 1/2" BSP | Foot | • | | SK225-01 | 6496 | 1210-0001 | SP2701-21 | SP1003-09 |
| 6490-222 | UK | 40 | 1/2" BSP | Foot | • | | SK225-01 | 6496 | 1210-0001 | SP2701-21 | SP1003-09 |
| 6490-223 | UK | 40 | 1/2" BSP | Foot | • | | SK225-01 | 6496 | 1210-0001 | SP2701-21 | SP1003-09 |
| 6490-224 | UK | 40 | 1/2" BSP | Foot | • | | SK225-01 | 6496 | 1210-0001 | SP2701-21 | SP1003-09 |
| 6490-225 | UK | 40 | 1/2" BSP | Foot | • | | SK225-01 | 6496 | 1210-0001 | SP2701-21 | SP1003-09 |
| 6490-231 | UK | 40 | 1/2" BSP | Foot | • | | SK225-01 | 6496 | 1210-0001 | SP2701-21 | SP1003-09 |
| 6490-232F | UK | 40 | 1/2" BSP | Foot | • | | SK119 | 6496 | 3085-0001 | SP6080-08 | SP1003-09 |
| 6490-241 | UK | 40 | 1/2" BSP | Foot | • | | SK225-01 | Use 23299 Kit to upgrade to 6490-222 | | | |
| 6490-246 | UK | 40 | 1/2" BSP | Foot | • | | SK225-01 | Use 23299 Kit to upgrade to 6490-224 | | | |
| 6490-252 | UK | 40 | 1/2" BSP | Foot | • | 6490-222 | SK225-01 | Use 23299 Kit to upgrade to 6490-222 | | | |
| 6490-253 | UK | 40 | 1/2" BSP | Foot | • | 6490-223 | SK225-01 | Use 23298 Kit to upgrade to 6490-223 | | | |
| 6490-254 | UK | 40 | 1/2" BSP | Foot | • | | SK225-01 | Use 23299 Kit to upgrade to 6490-224 | | | |
| 6490-255 | UK | 40 | 1/2" BSP | Foot | • | | SK225-01 | Use 23299 Kit to upgrade to 6490-225 | | | |
| 6490-2901 | UK | 40 | 1/2" BSP | Foot | • | | SK225-01 | 6496 | 1210-0001 | SP2701-21 | SP1003-09 |
| 6520-200 | UK | 80 | 1" BSP | Foot | • | 51080-2001 | SK236 | 890 | 17937-0001 | SP2701-21 | SP1003-09 |
| 6520-2003 | UK | 80 | 1" BSP | Foot | • | 51080-2003 | SK385-0403 | 890 | 17937-0003 | SP2700-1027 | SP1003-09 |
| 6520-205 | UK | 80 | 1" BSP | Foot | • | | SK236 | 890 | 17937-0001 | SP2701-21 | SP1003-09 |
| 6520-237 | UK | 80 | 1" BSP | Foot | • | 51080-2001 | SK235-37 | 890 | 17937-0003 | SP2701-21 | SP1003-09 |
| 6520-251 | UK | 80 | 1" BSP | Foot | • | 51080-2001 | SK236 | 890 | 17937-0001 | SP2701-21 | SP1003-09 |
| 6520-51 | UK | 80 | 1" BSP | Foot | • | | SK236 | 890 | 17937-0001 | SP2701-21 | SP1003-09 |
| 6540-200 | UK | 20 | 3/8" BSP | Foot | | | SK205 | 2995-0030 | 673-0001 | B22 | SP1002-01 |
| 6540-201 | UK | 20 | 3/8" BSP | Foot | • | | SK205-01 | 2995-0030 | 673-0001 | B22 | SP8019-01 |
| 6540-211 | UK | 20 | 3/8" BSP | Foot | • | | SK205-01 | 2995-0030 | 673-0001 | B22 | SP8019-01 |
| 6590-0001 | USA | 200 | 1-1/4" NPT | Foot | | | 90062-0001 | 816-0000 | 17935-0001 | 6407-0010 | 91005-0040 |
| 6590-0003 | USA | 200 | 1-1/4" NPT | Foot | | | 90062-0003 | 816-0000 | 836-0003 | 6407-0010 | 91005-0040 |
| 6590-0004 | USA | 200 | 1-1/4" NPT | Foot | | | 90062-0001 | 816-0000 | 17935-0001 | 6407-0010 | 91005-0040 |
| 6590-0005 | USA | 200 | 1-1/4" NPT | Foot | | | 90062-0003 | 816-0000 | 836-0003 | 6407-0010 | 91005-0040 |
| 6590-200 | UK | 200 | 1-1/4" BSP | Foot | • | 51200-2011 | SK230 | 816 | 836-0001 | 21849 | SP1005-04 |
| 6590-237 | UK | 200 | 1-1/4" BSP | Foot | • | 51200-2003 | SK230-37 | 816 | 836-0003 | 21849 | SP1005-04 |
| 6640-200 | UK | 10 | 1/4" BSP | Foot | • | 52010-2001 | SK23 | 1189 | 4528-0001 | SP2701-14 | SP1002-01 |
| 6640-205 | UK | 10 | 3/8" BSP | Foot | • | 52010-2001 | SK23 | 1189 | 4528-0001 | SP2701-14 | SP1002-01 |
| 6710 | UK | 20 | 3/4" BSP | Flange | • | | SK241 | 2995-0030 | 673-0001 | SP2701-04 | SP1002-09 |
| 6980-0001 | USA | 270 | 2" Flanged | Flange | | | 90065-0001 | 816-0000 | 17936-0001 | 6408-0000 | 91005-0040 |
| 6980-0002 | USA | 270 | 2" Flanged | Flange | | | 90065-0001 | 816-0000 | 17936-0001 | 6408-0000 | 91005-0040 |
| 6980-0003 | USA | 270 | 2" Flanged | Flange | | | 90065-0001 | 816-0000 | 17936-0001 | 6408-0000 | 91005-0040 |
| 6980-0004 | USA | 270 | 2" Flanged | Flange | | | 90065-0001 | 816-0000 | 17936-0001 | 6408-0000 | 91005-0040 |
| 6980-0005 | USA | 270 | 2" Flanged | Flange | | | 90065-0001 | 816-0000 | 17936-0001 | 6408-0000 | 91005-0040 |
| 6980-0006 | USA | 270 | 2" Flanged | Flange | | | 90065-0001 | 816-0000 | 17936-0001 | 6408-0000 | 91005-0040 |

| GENERAL PARTS LISTING | | | | | | | | | |
|--------------------------------------|-------------|-------------------|------------------|--------------------|-------------------|-----------|-----------|------------|-------------|
| 5 | 6 | 7 | 8 | 9 | 10 | 11 | 12 | 13 | 14 |
| CAM | CAM SCREW | PUMP END OIL SEAL | PUMP END BEARING | DRIVE END OIL SEAL | DRIVE END BEARING | SHAFT | WEARPLATE | END COVER | BODY |
| 490 | SP1003-01 | – | – | – | SP2600-09 | 1737-207 | – | 3993 | 6494-200 |
| 490 | SP1003-01 | – | – | – | SP2600-09 | 1737-207 | – | 3993 | 6494-200 |
| 490 | SP1003-01 | – | – | – | SP2600-09 | 1737-207 | – | 3993 | 6494-200 |
| 10336 | SP1003-09 | – | – | – | SP2600-09 | 1737-207 | – | 3993 | 6494-200 |
| 10336 | SP1003-09 | – | – | – | SP2600-09 | 1737-207 | – | 3993 | 6494-200 |
| 10336 | SP1003-09 | – | – | – | SP2600-09 | 1737-207 | – | 3993 | 6494-200 |
| 490 | SP1003-01 | – | – | – | SP2600-09 | 1737-207 | – | 3993 | 6494-200 |
| Use 23299 Kit to upgrade to 6490-222 | | | | | | | | | |
| Use 23299 Kit to upgrade to 6490-224 | | | | | | | | | |
| Use 23299 Kit to upgrade to 6490-222 | | | | | | | | | |
| Use 23298 Kit to upgrade to 6490-223 | | | | | | | | | |
| Use 23299 Kit to upgrade to 6490-224 | | | | | | | | | |
| Use 23299 Kit to upgrade to 6490-225 | | | | | | | | | |
| 490 | SP1003-01 | – | – | – | SP2600-09 | 1737-207 | – | 3993 | 6494-200 |
| 934-0000 | SP1004-09 | SP2700-48 | SP2600-06 | – | SP2600-11 | 6718-201 | 4156 | 3993 | 6424-2200 |
| 934-0000 | SP1004-09 | SP2700-48 | SP2600-06 | – | SP2600-11 | 6718-201 | 4156 | 3993 | 6424-2200 |
| 2431 | SP1004-10 | SP2700-48 | SP2600-06 | – | SP2600-11 | 6718-201 | 4156 | 3993 | 6424-2200 |
| 934-0000 | SP1004-09 | SP2700-48 | SP2600-06 | – | SP2600-11 | 6718-201 | 4156 | 3993 | 6424-2200 |
| 2431 | SP1004-10 | SP2700-48 | SP2600-06 | – | SP2600-11 | 6718-201 | 4156 | 3993 | 6424-2200 |
| 934-0000 | SP1004-09 | SP2700-48 | SP2600-06 | – | SP2600-11 | 6718-201 | 4156 | 3993 | 6424-2200 |
| 2907-0001 | SP1002-02 | – | – | – | – | 6547 | – | 3992 | 6544-200 |
| 2907-0001 | SP1002-02 | – | – | – | – | 6547 | – | 3992 | 6544-200 |
| 2907-0001 | SP1002-02 | – | – | – | – | 6547 | – | 3992 | 6544-200 |
| 834-0001 | 91005-0040 | 817-0000 | 92600-0040 | – | – | 824-0000 | 2574-0000 | 12062-0000 | 6594-0000 |
| 834-0001 | 91005-0040 | 817-0000 | 92600-0040 | – | – | 824-0000 | 2574-0000 | 12062-0000 | 6594-0000 |
| 834-0001 | 91005-0040 | 817-0000 | 92600-0040 | – | – | 824-0000 | 2574-0000 | 12062-0000 | 6594-0000 |
| 834-0001 | 91005-0040 | 817-0000 | 92600-0040 | – | – | 824-0000 | 2574-0000 | 12062-0000 | 6594-0000 |
| 834 | SP1005-04 | SP2700-50 | SP2600-04 | – | SP2600-09 | 9527-0001 | 2574 | 9336 | 6594-200 |
| 834 | SP1005-04 | SP2700-50 | SP2600-04 | – | SP2600-09 | 9527-0001 | 2574 | 9336 | 6594-200 |
| 2763 | SP1002-03 | SP2700-63 | – | SP2700-62 | SP2600-08 | 1053 | 2765 | 9566 | 6644-200 |
| 21233 | SP1002-0234 | SP2700-63 | – | SP2700-62 | SP2600-08 | 1053 | 2765 | 6645-105 | 6644-200 |
| 4454 | SP1002-02 | – | – | – | – | 6717 | 4466 | 3992 | 4764-41 |
| 6988-0000 | 91005-0040 | 817-0000 | 92600-0320 | – | – | 6987-0000 | 2574-0000 | 12062-0000 | Proprietary |
| 6988-0000 | 91005-0040 | 817-0000 | 92600-0320 | – | – | 6987-0000 | 2574-0000 | 12062-0000 | Proprietary |
| 6988-0000 | 91005-0040 | 817-0000 | 92600-0320 | – | – | 6987-0000 | 2574-0000 | 12062-0000 | Proprietary |
| 6988-0000 | 91005-0040 | 817-0000 | 92600-0320 | – | – | 6987-0000 | 2574-0000 | 12062-0000 | Proprietary |
| 6988-0000 | 91005-0040 | 817-0000 | 92600-0320 | – | – | 6987-0000 | 2574-0000 | 12062-0000 | Proprietary |
| 6988-0000 | 91005-0040 | 817-0000 | 92600-0320 | – | – | 6987-0000 | 2574-0000 | 12062-0000 | Proprietary |

13 Service Parts

FLEXIBLE IMPELLER PUMP SPARES BY PUMP MODEL



| JABSCO PUMP DETAILS | | | | | | | SERVICE KIT LISTING | | | | |
|---------------------------|------------|--------------|--------------------|---------------|----------|-----------------------------|---------------------|-------------------|--------------|------------|---------------------|
| MODEL NUMBER *OEM ONLY | UK/ USA | PUMP SIZE | PORT TYPE | MOUNT TYPE | OBSOLETE | ALTERNATE PUMP NUMBER | PART KEY | 1 | 2 | 3 | 4 |
| | | | | | | | KIT NUMBER | GASKET/ O-RING | IMPELLER | WATER SEAL | END COVER SCREWS |
| 6980-0011 | USA | 270 | 2" Flanged | Flange | | | 90065-0001 | 816-0000 | 17936-0001 | 6408-0000 | 91005-0040 |
| 6980-0411 | USA | 270 | 2" Flanged | Flange | | | 90065-0001 | 816-0000 | 17936-0001 | 6408-0000 | 91005-0040 |
| 6980-3000 | USA | 270 | 2" Flanged | Flange | | | 90065-0001 | 816-0000 | 17936-0001 | 6408-0000 | 91005-0040 |
| 7120-9001 | USA | 40 | 3/4" / 1-1/4" Hose | Flange | | | 90111-0001 | 3298-0000 | 1210-0001 | 96080-0080 | 91002-0020 |
| 7260-0001 | USA | 80 | 1-1/4" Flanged | Flange | | | – | 3101-0000 | 17937-0001 | SP2700-07 | 91003-0010 |
| 7320-9001 | USA | 40 | 3/4" / 1-1/4" Hose | Flange | | | 90111-0001 | 3298-0000 | 1210-0001 | 96080-0080 | 91002-0020 |
| 7420-0001 | USA | 200 | 1-1/4" NPT | Foot | | | 90062-0001 | 816-0000 | 17935-0001 | 6407-0010 | 91005-0040 |
| 7420-0004 | UK | 200 | 1-1/4" NPT | Foot | • | 7420-0101 | SK375-0101 | 816 | 17935-0001 | 21849 | SP1005-04 |
| 7420-0004 | USA | 200 | 1-1/4" NPT | Foot | | | 90062-0001 | 816-0000 | 17935-0001 | 6407-0010 | 91005-0040 |
| 7420-0101 | USA | 200 | 1-1/4" NPT | Foot | | | SK375-0101 | 816 | 17935-0001 | 21849 | SP1005-04 |
| 7420-0101 | USA | 200 | 1-1/4" NPT | Foot | | | 90062-0000 | 816-0000 | 17935-0001 | 6408-0000 | 91005-0040 |
| 7420-1001 | USA | 200 | 1-1/4" NPT | Foot | | | 90062-0001 | 816-0000 | 17935-0001 | 6407-0010 | 91005-0040 |
| 7870-200 | UK | 200 | 1-1/2" BSP | Foot | • | | SK230 | 816 | 836-0001 | 21849 | SP1005-04 |
| 7870-201 | UK | 200 | 1-1/2" BSP | Foot | • | | SK230 | 816 | 836-0001 | 21849 | SP1005-04 |
| 7870-221 | UK | 200 | 1-1/2" BSP | Foot | • | | SK230 | 816 | 836-0001 | 21849 | SP1005-04 |
| 7870-231 | UK | 200 | 1-1/2" BSP | Foot | • | | SK230 | 816 | 836-0001 | 21849 | SP1005-04 |
| 7870-251 | UK | 200 | 1-1/2" BSP | Foot | • | | SK230 | 816 | 836-0001 | 21849 | SP1005-04 |
| 8150-0211 | USA | 80 | 2-1/2" Flanged | Foot | | | – | 7478-6000 | 17935-0001 | 6408-0000 | 91045-0420 |
| 8170-9001 | USA | 80 | 3/4" NPT | Flange | | | 90118-0001 | 3101-0000 | 17937-0001 | 96080-0080 | 91003-0010 |
| 8470-0711 | USA | 80 | 3/4" Hose | Flange | | | 90177-0001 | 8509-0001 | 3085-0001 | 96080-0080 | 91003-0010 |
| 8470-0911 | USA | 80 | 3/4" Hose | Flange | | | 90177-0001 | 8509-0001 | 3085-0001 | 96080-0080 | 91003-0010 |
| 8740F | USA | 40 | Dual 3/4" Hose | Flange | | | – | – | 8444-0001(2) | – | SP1002-01 |
| 8830-0701 | USA | 80 | 1" Hose | Flange | | | 90177-0121 | 8641-0000 | 3085-0001 | 92700-0060 | 91026-0010 |
| 8830-0711 | USA | 80 | 1" Hose | Flange | | | 90177-0121 | 8641-0000 | 3085-0001 | 92700-0060 | 91026-0010 |
| 8850-0001 | USA | 5 | | | | | 90092-0007 | 7828-0000 | 14750-0001 | 93000-0100 | 91026-0010 |
| 8950-0001 | USA | 200 | 1-1/2" Flanged | Flange | | | – | 816-0000 | 17935-0001 | 6408-0000 | 91095-0060 |
| 9040-0511 | UK | 5 | 1/2" Hose | Flange | | now -1021 | SK92-11 | 7828-01 | 14609-0001 | SP3000-10 | SP1002-09 |
| 9360 | UK | 10 | 1/4" BSP | Foot | • | | SK223 | 1126 | 4528-0001 | AL22 | SP8019-01 |
| 9380 | UK | 40 | 3/4" BSP | Flange | • | | SK33 | 3298 | 1210-0001 | SP2701-21 | SP1002-02 |
| 9400 | UK | 20 | Ø 16 Hose | Flange | • | | SK211 | 10817 | 673-0001 | SP2701-04 | SP1002-09 |
| 9400-01 | UK | 20 | Ø 16 Hose | Flange | • | | SK211 | 10817 | 673-0001 | SP2701-04 | SP1002-09 |
| 9400-200 | UK | 20 | 2" BSP | Foot | • | | SK211 | 10817 | 673-0001 | SP2701-04 | SP1002-09 |
| 9430 | UK | 10 | 1/4" BSP | Flange | • | Exhaust Cooling | SK221 | 1126 | 4528-0001 | SP2701-09 | SP1002-01 |
| 9430-01 | UK | 10 | 1/4" BSP | Flange | • | 11650-200 | SK221 | 1126 | 4528-0001 | SP2701-09 | SP1002-01 |
| 9430-21 | UK | 10 | 1/4" BSP | Flange | • | | SK221 | 1126 | 4528-0001 | SP2701-09 | SP1002-01 |
| 9430-211 | UK | 10 | 1/4" BSP | Flange | • | 29300-2601C | SK221 | 1126 | 4528-0001 | SP2701-09 | SP1002-01 |
| 9430-51 | UK | 10 | 1/4" BSP | Flange | • | | SK221 | 1126 | 4528-0001 | SP2701-09 | SP1002-01 |
| 9480-01 | UK | 500 | 2" BSP | Foot | • | | SK29 | 3209 | 2999-0001 | 3222 | SP1006-05 |

| GENERAL PARTS LISTING | | | | | | | | | | |
|-----------------------|------------|-------------------|------------------|--------------------|-------------------|-------------|-------------|------------|-------------|--|
| 5 | 6 | 7 | 8 | 9 | 10 | 11 | 12 | 13 | 14 | |
| CAM | CAM SCREW | PUMP END OIL SEAL | PUMP END BEARING | DRIVE END OIL SEAL | DRIVE END BEARING | SHAFT | WEARPLATE | END COVER | BODY | |
| 6988-0000 | 91005-0040 | 817-0000 | 92600-0320 | – | – | 6987-0000 | 2574-0000 | 12062-0000 | Proprietary | |
| 6988-0000 | 91005-0040 | 817-0000 | 92600-0320 | – | – | 6987-0000 | 2574-0000 | 12062-0000 | Proprietary | |
| 6988-0000 | 91005-0040 | 817-0000 | 92600-0320 | – | – | 6987-0000 | 2574-0000 | 12062-0000 | Proprietary | |
| 7607-0000 | 91003-0010 | 913-0000 | 92600-0060 | – | – | 7127-0000 | 7607-0000 | 11830-0000 | Obsolete | |
| 7874-0000 | 91003-0020 | 913-0000 | 92600-0060 | – | – | 7267-0000 | 7874-000000 | 11831-0000 | Obsolete | |
| 7607-0000 | 91003-0010 | 913-0000 | 92600-0060 | – | – | 7127-0000 | 7607-0000 | 11830-0000 | Obsolete | |
| 834-0001 | 91005-0040 | 817-0000 | 92600-0040 | 818-0000 | – | 824-0020 | 2574-0000 | 12062-0000 | 7424-0000 | |
| 834 | SP1005-04 | 817 | SP2600-04 | 818 | – | 824 | 2574 | 7425 | 7424 | |
| 834-0001 | 91005-0040 | 817-0000 | 92600-0040 | 818-0000 | – | 824-0020 | 2574-0000 | 12062-0000 | 7424-0000 | |
| 834 | SP1005-04 | SP2700-50 | SP2600-04 | SP2700-49 | – | 9527 | 2574 | 9336 | 7424-0100 | |
| 834-0001 | 91005-0040 | 817-0000 | 92600-0040 | 818-0000 | – | 824-0020 | 2574-0000 | 12062-0000 | Proprietary | |
| 834-0001 | 91005-0040 | 817-0000 | 92600-0040 | 818-0000 | – | 824-2001 | 2574-0000 | 12062-0000 | 7424-0000 | |
| 834 | SP1005-04 | SP2700-50 | SP2600-04 | – | SP2600-09 | 9527-0001 | 2574 | 9336 | 6594-200 | |
| 834 | SP1005-04 | SP2700-50 | SP2600-04 | – | SP2600-09 | 9807-201 | 2574 | 9336 | 6594-200 | |
| 834 | SP1005-04 | SP2700-50 | SP2600-04 | – | SP2600-09 | 9527-0001 | 2574 | 9336 | 6594-200 | |
| 834 | SP1005-04 | SP2700-50 | SP2600-04 | – | SP2600-09 | 9807-201 | 2574 | 9336 | 6594-200 | |
| 834 | SP1005-04 | SP2700-50 | SP2600-04 | – | SP2600-09 | 9807-201 | 2574 | 9336 | 6594-200 | |
| 7486-0010 | 91012-0020 | 817-0000 | 92600-0040 | 92700-0740 | 92600-0040 | Proprietary | 7476-0000 | 12073-0010 | Proprietary | |
| 3255-0000 | 91004-0110 | 913-0000 | 92600-0060 | – | – | Obsolete | 4156-0000 | 11831-0000 | Obsolete | |
| 8528-0000 | 91003-0010 | 93000-0090 | 92600-0350 | – | – | Obsolete | 8493-0000 | 12065-0000 | Obsolete | |
| 8528-0000 | 91003-0010 | 93000-0090 | 92600-0350 | – | – | Obsolete | 8493-0000 | 12065-0000 | Obsolete | |
| 6148 | – | – | – | – | – | – | – | – | – | |
| 8528-0000 | 91030-0110 | 93000-0070 | 92600-0070 | – | – | Obsolete | 8493-0000 | Obsolete | Obsolete | |
| 8528-0000 | 91030-0110 | 93000-0070 | 92600-0070 | – | – | Obsolete | 8493-0000 | Obsolete | Obsolete | |
| 8528-0000 | 91030-0110 | 93000-0070 | 92600-0070 | – | – | Obsolete | 8493-0000 | Obsolete | Obsolete | |
| 834-0001 | 91005-0040 | 694-0000 | 92600-0040 | – | – | 8957-0000 | 2574-0000 | 12062-0000 | 8954-0000 | |
| 8089 | SP1002-01 | – | – | – | – | – | – | 12076 | 9044 | |
| AL8-01 | SP1002-02 | – | – | – | – | AL10 | – | AL6-200 | AL4-200 | |
| 3269 | SP1003-01 | SP2701-21 | SP2600-13 | – | SP2600-13 | 5857 | 3266 | 3991 | 3374-200 | |
| 2907-0001 | SP1002-09 | – | – | – | – | 9407 | – | 9406 | 9404 | |
| 2907-0001 | SP1002-09 | – | – | – | – | 9407 | – | 9406-01 | 9404-01 | |
| 2907-0001 | SP1002-09 | – | – | – | – | 9407 | – | 9406-01 | 9404-01 | |
| AL8 | SP1002-09 | – | – | SP2701-09 | – | 9436 | – | AL6-200 | 4784 | |
| AL8 | SP1002-09 | – | – | SP2701-09 | – | 10303 | – | AL6-200 | 10302 | |
| AL8 | SP1002-09 | – | – | SP2701-09 | – | 10467 | – | AL6-200 | 4784 | |
| AL8 | SP1002-09 | – | – | SP2701-09 | – | 22287 | – | AL6-200 | 4784 | |
| AL8-01 | SP1002-02 | – | – | SP2701-09 | – | 9436 | – | 9435-51 | 4784 | |
| 9446 | SP1006-03 | SP2700-59 | SP2600-16 | SP2700-58 | SP2600-15 | 3207 | 9316 | 9448 | 9444 | |

13 Service Parts

FLEXIBLE IMPELLER PUMP SPARES BY PUMP MODEL



| JABSCO PUMP DETAILS | | | | | | | SERVICE KIT LISTING | | | | |
|---------------------------|------------|--------------|------------|---------------|----------|-----------------------------|---------------------|-------------------|------------|------------|---------------------|
| MODEL NUMBER *OEM ONLY | UK/ USA | PUMP SIZE | PORT TYPE | MOUNT TYPE | OBSOLETE | ALTERNATE PUMP NUMBER | PART KEY | 1 | 2 | 3 | 4 |
| | | | | | | | KIT NUMBER | GASKET/ O-RING | IMPELLER | WATER SEAL | END COVER SCREWS |
| 9560 | UK | 10 | 3/8" BSP | Flange | • | | SK23 | 1189 | 4528-0001 | SP2701-14 | SP1002-01 |
| 9700 | UK | 80 | 1" Flanged | Flange | • | | SK238 | 890 | 17937-0001 | 22645-0000 | SP1003-01 |
| 9700-01 | UK | 80 | 1" Flanged | Flange | | | SK238 | 890 | 17937-0001 | 22645-0000 | SP1003-01 |
| 9700-04 | UK | 80 | 1" Flanged | Flange | | | SK238-01 | 3101 | 17937-0001 | 22645-0000 | SP1003-01 |
| 9700-05 | UK | 80 | 1" Flanged | Flange | | | SK238-21 | 2432 | 17937-0001 | 22645-0000 | SP1003-01 |
| 9700-101 | UK | 80 | 1" BSP | Flange | • | 9700-04 | SK238 | 890 | 17937-0001 | 22645-0000 | SP1003-01 |
| 9700-131 | UK | 80 | 1" Flanged | Flange | | | SK238 | 890 | 17937-0001 | 22645-0000 | SP1003-01 |
| 9700-132 | UK | 80 | 1" Flanged | Flange | | | SK238 | 890 | 17937-0001 | 22645-0000 | SP1003-01 |
| 9700-141 | UK | 80 | 1" Flanged | Flange | • | 9700-04 | SK238 | 890 | 17937-0001 | 22645-0000 | SP1003-01 |
| 9700-151 | UK | 80 | 1" Flanged | Flange | | | SK238-01 | 3101 | 17937-0001 | 22645-0000 | SP1003-01 |
| 9700-162 | UK | 80 | 1" Flanged | Flange | | | SK238 | 890 | 17937-0001 | 22645-0000 | SP1003-01 |
| 9700-171 | UK | 80 | 1" Flanged | Flange | • | | SK238 | 890 | 17937-0001 | 22645-0000 | SP1003-01 |
| 9700-181 | UK | 80 | 1" Flanged | Flange | • | | SK238 | 890 | 17937-0001 | 22645-0000 | SP1003-01 |
| 9700-21 | UK | 80 | 1" Flanged | Flange | • | 29600-1001 | SK238 | 890 | 17937-0001 | 22645-0000 | SP1003-01 |
| 9700-241 | UK | 80 | 3/4" BSP | Flange | • | | SK238 | 890 | 17937-0001 | 22645-0000 | SP1003-01 |
| 9700-41 | UK | 80 | 1" Flanged | Flange | | | SK238-21 | 2432 | 17937-0001 | 22645-0000 | SP1003-01 |
| 9700-51 | UK | 80 | 1" Flanged | Flange | | | SK238 | 890 | 17937-0001 | 22645-0000 | SP1003-01 |
| 9700-61 | UK | 80 | 1" Flanged | Flange | • | | SK238 | 890 | 17937-0001 | 22645-0000 | SP1003-01 |
| 9700-71 | UK | 80 | 1" Flanged | Flange | • | | SK238 | 890 | 17937-0001 | 22645-0000 | SP1003-01 |
| 9710 | UK | 80 | 1" NPT | Foot | • | 9710-200 | SK229 | 890 | 17937-0001 | 22617-0010 | SP1003-09 |
| 9710-200 | UK | 80 | 1" BSP | Foot | | | SK229 | 890 | 17937-0001 | 22617-0010 | SP1003-09 |
| 9710-201 | UK | 80 | 1" BSP | Foot | • | | SK229 | 890 | 17937-0001 | 22617-0010 | SP1003-09 |
| 9710-204 | UK | 80 | 1" BSP | Foot | • | | SK229 | 890 | 17937-0001 | 22617-0010 | SP1003-09 |
| 9710-205 | UK | 80 | 1" BSP | Foot | | | SK229-01 | 2432 | 17937-0001 | 22617-0010 | SP1003-09 |
| 9710-210 | UK | 80 | 1" BSP | Foot | • | | SK229 | 890 | 17937-0001 | 22617-0010 | SP1003-09 |
| 9730 | UK | 80 | Ø 32 Hose | Flange | • | | SK269 | 890-01 | 17937-0001 | 22626-0000 | SP1003-09 |
| 9750 | UK | 80 | Ø 32 Hose | Flange | • | | SK269 | 3101-01 | 17937-0001 | 22626-0000 | SP1003-09 |
| 9760 | UK | 80 | Ø 32 Hose | Flange | • | | SK269 | 890-01 | 17937-0001 | 22626-0000 | SP1003-09 |
| 9770-200 | UK | 80 | 3/4" BSP | Barrel | • | | SK229 | 890 | 17937-0001 | 22626-0000 | SP1003-09 |
| 9770-205 | UK | 80 | 3/4" BSP | Barrel | • | | SK229 | 890 | 17937-0001 | 22626-0000 | SP1003-09 |
| 9900 | UK | 20 | Ø 16 Hose | Foot | • | 29470-2231C | SK211 | 10817 | 673-0001 | SP2701-04 | SP1002-09 |
| 9900-0001 | USA | 20 | 5/8" Hose | Flange | | | 90211-0001 | 10187-0000 | 18673-0001 | 92701-0040 | 91002-0090 |
| 9970-200 | UK | 40 | 3/4" BSP | Flange | | | SK229 | 3298 | 1210-0001 | 22617-0010 | SP1002-02 |
| 9970-204 | UK | 40 | 3/4" BSP | Flange | | | SK239 | 3298 | 1210-0001 | 22617-0010 | SP1002-02 |
| 9970-241 | UK | 40 | 3/4" BSP | Flange | | Direct Cooling | SK241 | 3298 | 1210-0001 | 22617-0010 | SP1002-02 |
| 9970-241-37 | UK | 40 | 3/4" BSP | Flange | | | SK239-37 | 3298 | 1210-0003 | 22617-0010 | SP1002-02 |
| 9970-251 | UK | 40 | 3/4" BSP | Flange | • | 9970-241 | SK239 | 3298 | 1210-0001 | 22617-0010 | SP1002-02 |
| 9970-261 | UK | 40 | 3/4" BSP | Flange | | | SK239 | 3298 | 1210-0001 | 22617-0010 | SP1002-02 |
| 9970-271 | UK | 40 | 3/4" BSP | Flange | • | 9970-200 | SK239 | 3298 | 1210-0001 | 22617-0010 | SP1002-02 |
| 9970-281 | UK | 40 | 3/4" BSP | Flange | | | SK239 | 3298 | 1210-0001 | 22617-0010 | SP1002-02 |
| 9990-200 | UK | 40 | 3/4" NPT | Barrel | • | | SK239 | 3298 | 1210-0001 | 22617-0010 | SP1002-02 |

| GENERAL PARTS LISTING | | | | | | | | | | |
|-----------------------|------------|-------------------|------------------|--------------------|-------------------|----------------------|-----------|-----------|-----------|--|
| 5 | 6 | 7 | 8 | 9 | 10 | 11 | 12 | 13 | 14 | |
| CAM | CAM SCREW | PUMP END OIL SEAL | PUMP END BEARING | DRIVE END OIL SEAL | DRIVE END BEARING | SHAFT | WEARPLATE | END COVER | BODY | |
| 2763 | SP1002-03 | – | – | – | – | Contact Manufacturer | 2765 | 9566 | 9564 | |
| 3255 | SP1004-11 | SP2700-48 | – | – | SP2600-06 | 9707 | 4156 | 3993 | 9704 | |
| 934-0000 | SP1004-09 | SP2700-48 | – | – | SP2600-06 | 9707 | 4156 | 3993 | 9704-01 | |
| 3255 | SP1004-11 | SP2700-48 | – | – | SP2600-06 | 9707 | 4156 | 3993 | 9704-01 | |
| 2431 | SP1004-10 | SP2700-48 | – | – | SP2600-06 | 9707 | 4156 | 3993 | 9704-01 | |
| 2431 | SP1004-10 | SP2700-48 | – | SP2701-11 | SP2600-06 | 9707 | 4156 | 3993 | 9704-01 | |
| 934-0000 | SP1004-09 | SP2700-48 | – | – | SP2600-06 | 9707-31 | 4156 | 3993 | 9704-31 | |
| 934-0000 | SP1004-09 | SP2700-48 | – | – | SP2600-06 | 9707-31 | 4156 | 3993 | 9704-32 | |
| 934-0000 | SP1004-09 | SP2700-48 | – | – | SP2600-06 | 9707 | 4156 | 3993 | 9704-01 | |
| 3255 | SP1004-11 | SP2700-48 | – | – | SP2600-06 | 9707 | 4156 | 3993 | 9704-01 | |
| 934-0000 | SP1004-09 | SP2700-48 | – | – | SP2600-06 | 21635-0010 | 4156 | 3993 | 9704-0010 | |
| 3255 | SP1004-11 | SP2700-48 | – | – | SP2600-06 | 9707 | 4156 | 3993 | 9704 | |
| 934-0000 | SP1004-09 | SP2700-48 | – | – | SP2600-06 | 9707 | 4156 | 3993 | 9704 | |
| 934-0000 | SP1004-09 | SP2700-48 | – | SP2701-11 | SP2600-06 | 9707 | 4156 | 3993 | 9704-01 | |
| – | – | – | – | – | – | – | – | – | – | |
| 2431 | SP1004-10 | SP2700-48 | – | SP2701-11 | SP2600-06 | 9707 | 4156 | 3993 | 9704-01 | |
| 934-0000 | SP1004-09 | SP2700-48 | – | – | SP2600-06 | 9707-01 | 4156 | 3993 | 9704-51 | |
| 3255 | SP1004-11 | SP2700-48 | – | SP2701-11 | SP2600-06 | 9707 | 4156 | 3993 | 9704 | |
| 934-0000 | SP1004-09 | SP2700-48 | – | – | SP2600-06 | 9707 | 4156 | 3993 | 9704-01 | |
| 934-0000 | SP1004-09 | SP2701-21 | SP2600-38 | SP2700-47 | SP2600-38 | 9717 | 4156 | 3993 | 10329 | |
| 934-0000 | SP1004-09 | SP2701-21 | SP2600-38 | SP2700-47 | SP2600-38 | 9717 | 4156 | 3993 | 10329-200 | |
| 3255 | SP1004-11 | SP2701-21 | SP2600-38 | SP2700-47 | SP2600-38 | 9717 | 4156 | 3993 | 10329-200 | |
| 3255 | SP1004-10 | SP2701-21 | SP2600-38 | SP2700-47 | SP2600-38 | 9717 | 4156 | 3993 | 10329-200 | |
| 2431 | SP1004-10 | SP2701-21 | SP2600-38 | SP2700-47 | SP2600-38 | 9717 | 4156 | 3993 | 10329-200 | |
| 3255 | SP1004-11 | SP2701-21 | SP2600-38 | SP2700-47 | SP2600-38 | 9717 | 4156 | 3993 | 10329-200 | |
| 890 | SP1004-09 | SP2700-07 | SP2600-01 | – | SP2600-01 | 9737 | 4156 | 3993 | 9734 | |
| 3255 | SP1004-11 | SP2700-07 | SP2600-01 | – | SP2600-01 | 9757 | 4156 | 3993 | 9754 | |
| 934-0000 | SP1004-11 | SP2700-07 | SP2600-01 | SP2700-07 | SP2600-01 | 9767 | 4156 | 3993 | 9754 | |
| 934-0000 | SP1004-09 | SP2701-21 | SP2600-38 | SP2700-47 | SP2600-38 | 9777 | 4156 | 3993 | – | |
| 2431 | SP1004-10 | SP2701-21 | SP2600-38 | SP2700-47 | SP2600-38 | 9777 | 4156 | 3993 | – | |
| 10818 | SP1002-02 | – | – | – | – | 9907 | – | 9905 | 9904 | |
| 10818-0000 | 91002-0020 | – | – | – | – | 9907-0000 | – | 9905-0000 | 9904-0000 | |
| 490 | SP1003-01 | SP2701-21 | SP2600-13 | – | SP2600-13 | 9977 | 7883 | 3992 | 9974-200 | |
| 10336 | SP1003-09 | SP2701-21 | SP2600-13 | – | SP2600-13 | 9977 | 7883 | 3992 | 9974-200 | |
| 490 | SP1003-01 | SP2701-21 | SP2600-13 | – | SP2600-13 | 10374 | 7883 | 3992 | 9974-200 | |
| 490 | SP1003-01 | SP2701-21 | SP2600-13 | – | SP2600-13 | 10374 | 7883 | 3992 | 9974-200 | |
| 10336 | SP1003-09 | SP2701-21 | SP2600-13 | – | SP2600-13 | 10374 | 7883 | 3992 | 9974-200 | |
| 490 | SP1003-01 | SP2701-21 | SP2600-13 | – | SP2600-13 | 9977-21 | 7883 | 3992 | 9974-201 | |
| 10336 | SP1003-09 | SP2701-21 | SP2600-13 | – | SP2600-13 | 9977-21 | 7883 | 3992 | 9974-223 | |
| 490 | SP1003-01 | SP2701-21 | SP2600-13 | – | SP2600-13 | 9977 | 7883 | 3992 | 9974-223 | |
| 490 | SP1003-01 | SP2701-21 | SP2601-39 | SP2701-15 | SP2601-39 | 9997 | 7883 | 3992 | 9974-200 | |

13 Service Parts

FLEXIBLE IMPELLER PUMP SPARES BY PUMP MODEL



| JABSCO PUMP DETAILS | | | | | | | SERVICE KIT LISTING | | | | |
|---------------------------|------------|--------------|----------------|---------------|----------|-----------------------------|---------------------|-------------------|------------|------------|---------------------|
| MODEL NUMBER *OEM ONLY | UK/ USA | PUMP SIZE | PORT TYPE | MOUNT TYPE | OBSOLETE | ALTERNATE PUMP NUMBER | PART KEY | 1 | 2 | 3 | 4 |
| | | | | | | | KIT NUMBER | GASKET/ O-RING | IMPELLER | WATER SEAL | END COVER SCREWS |
| 9990-201 | UK | 40 | 3/4" NPT | Barrel | • | | SK239 | 3298 | 1210-0001 | 22617-0010 | SP1002-02 |
| 9990-21 | UK | 40 | 3/4" NPT | Barrel | • | 9990-41 | SK268 | 3298 | 1210-0001 | 22617-0010 | SP1002-02 |
| 9990-41 | UK | 40 | 3/4" NPT | Barrel | | | SK268 | 3298 | 1210-0001 | 22617-0010 | SP1002-02 |
| 10170-0011 | USA | 40 | 1" Hose | Flange | | | 90133-0001 | 10183-0000 | 1210-0001 | 96080-0080 | 91003-0020 |
| 10170-0011 | USA | 80 | 1-1/4" Hose | | | | – | 10184-0000 | 11979-0001 | – | – |
| 10190-0011 | USA | 40 | 1" Hose | | | | – | – | 3085-0001 | – | – |
| 10490 | UK | 270 | 2" Flanged | Foot | • | 52270-0011 | SK254 | 816 | 21676-0001 | 21849 | SP1005-04 |
| 10490-0201 | UK | 270 | 2" Flanged | Foot | • | 50270-0911 | SK254 | 816 | 21676-0001 | 21849 | SP1005-04 |
| 10490-07 | UK | 270 | 2" Flanged | Foot | • | 52270-0011 | SK254 | 816 | 21676-0001 | 21849 | SP1005-04 |
| 10490-207 | UK | 270 | 2" Flanged | Foot | • | 52270-0011 | SK254 | 816 | 21676-0001 | 21849 | SP1005-04 |
| 10550-01 | UK | 40 | 3/4" NPT | Foot | • | | SK239 | 3298 | 1210-0001 | 22626-0000 | SP1002-02 |
| 10550-200 | UK | 40 | 3/4" BSP | Foot | | | SK239 | 3298 | 1210-0001 | 22626-0000 | SP1002-02 |
| 10550-205 | UK | 40 | 3/4" BSP | Foot | • | | SK239 | 3298 | 1210-0001 | 22626-0000 | SP1002-02 |
| 10550-2103 | UK | 40 | 3/4" BSP | Foot | • | | SK239-0003 | 3298 | 1210-0003 | 22626-0000 | X3001-095F |
| 10550-2701 | UK | 40 | 3/4" BSP | Foot | | | SK239 | 3298 | 1210-0001 | 22626-0000 | SP1002-02 |
| 10590 | UK | 270 | 2" Flanged | Flange | • | 10590-22 | SK254 | 816 | 21676-0001 | 21849 | SP1005-04 |
| 10590-0031 | UK | 270 | 2" Flanged | Flange | • | 10590-0111 | SK254 | 816 | 21676-0001 | 21849 | SP1005-04 |
| 10590-0041 | UK | 270 | 2" Flanged | Flange | • | 10590-0111 | SK254 | 816 | 21676-0001 | 21849 | SP1005-04 |
| 10590-01 | UK | 270 | 2" Flanged | Flange | • | 11101-01-01 | SK254 | 816 | 21676-0001 | 21849 | SP1005-04 |
| 10590-0111 | UK | 270 | 2" Flanged | Flange | | | SK254 | 816 | 17936-0001 | 21849 | SP1095-0640 |
| 10590-0141 | UK | 270 | 2" Flanged | Flange | • | 10590-0041 | SK254 | 816 | 21676-0001 | 21849 | SP1005-04 |
| 10590-0201 | UK | 270 | 2" Flanged | Flange | • | 10590-0111 | SK254 | 816 | 21676-0001 | 21849 | SP1005-04 |
| 10590-0231 | UK | 270 | 2" Flanged | Flange | | | SK254 | 816 | 17936-0001 | 21849 | SP1095-0640 |
| 10590-0341 | UK | 270 | 2" Flanged | Flange | | | SK254 | 816 | 17936-0001 | 21849 | SP1095-0640 |
| 10590-21 | UK | 270 | 2" Flanged | Flange | • | 10590-22 | SK254 | 816 | 21676-0001 | 21849 | SP1005-04 |
| 10590-22 | UK | 270 | 2" Flanged | Flange | • | 10590-0111 | SK254 | 816 | 21676-0001 | 21849 | SP1005-04 |
| 10590-61 | UK | 270 | 2" Flanged | Flange | • | 10590-62 | SK254 | 816 | 21676-0001 | 21849 | SP1005-04 |
| 10590-62 | UK | 270 | 2" Flanged | Flange | | | SK254 | 816 | 21676-0001 | 21849 | SP1005-04 |
| 10590-63 | UK | 270 | 2" Flanged | Flange | | | SK254 | 816 | 21676-0001 | 21849 | SP1005-04 |
| 10630 | UK | 200 | 1-1/2" Flanged | Foot | • | 52220-0011 | SK230 | 816 | 836-0001 | 21849 | SP1005-04 |
| 10630-01 | UK | 200 | 1-1/2" Flanged | Foot | • | 52220-0011 | SK230 | 816 | 836-0001 | 21849 | SP1005-04 |
| 10630-07 | UK | 200 | 1-1/2" Flanged | Foot | • | 52220-0011 | SK230 | 816 | 836-0001 | 21849 | SP1005-04 |

| GENERAL PARTS LISTING | | | | | | | | | | |
|-----------------------|------------|-------------------|------------------|--------------------|-------------------|------------|------------|------------|------------|--|
| 5 | 6 | 7 | 8 | 9 | 10 | 11 | 12 | 13 | 14 | |
| CAM | CAM SCREW | PUMP END OIL SEAL | PUMP END BEARING | DRIVE END OIL SEAL | DRIVE END BEARING | SHAFT | WEARPLATE | END COVER | BODY | |
| 490 | SP1003-01 | SP2701-21 | SP2601-39 | SP2701-15 | SP2601-39 | 10417 | 7883 | 3992 | 9974-200 | |
| 490 | SP1003-01 | SP2701-21 | SP2601-39 | SP2701-15 | SP2601-39 | 9997 | 9996 | 3992 | 9994-21 | |
| 490 | SP1003-01 | SP2701-21 | SP2601-39 | SP2701-15 | SP2601-39 | 9997-01 | 7883 | 3992 | 9994-21 | |
| 490-0000 | 91003-0070 | 92700-0480 | 92600-0060 | 92701-0160 | – | – | Obsolete | Obsolete | Obsolete | |
| 10182-0000 | 91004-0090 | – | – | – | – | – | – | – | – | |
| – | – | – | – | – | – | – | – | – | – | |
| 6988 | SP1005-04 | SP2701-54 | SP2601-37 | SP2700-49 | SP2601-37 | 11254-01 | 2574 | 9936 | 10494 | |
| 6988 | SP1005-04 | SP2701-54 | SP2601-37 | SP2700-49 | SP2601-37 | 11254-01 | 2574 | 9936 | 10494-03 | |
| 6988 | SP1005-04 | SP2701-54 | SP2601-37 | SP2700-49 | SP2601-37 | 11254-01 | 2574 | 9936 | 10494 | |
| 6988 | SP1005-04 | SP2701-54 | SP2601-37 | SP2700-49 | SP2601-37 | 11254-01 | 2574 | 9936 | 10494 | |
| 10336 | SP1003-09 | SP2701-21 | SP2601-39 | SP2701-15 | SP2601-39 | 10417 | 7883 | 3992 | 10554 | |
| 490 | SP1003-01 | SP2701-21 | SP2601-39 | SP2701-15 | SP2601-39 | 10417 | 7883 | 3992 | 10554 | |
| 10336 | SP1003-09 | SP2701-21 | SP2601-39 | SP2701-15 | SP2601-39 | 10417 | 7883 | 3992 | 10554 | |
| 490 | SP1003-01 | SP2701-21 | SP2601-39 | SP2701-15 | SP2601-39 | 10417-2100 | 22906-0000 | 22907-0000 | 10554-2100 | |
| 490 | SP1003-01 | SP2701-21 | SP2601-39 | SP2701-15 | SP2601-39 | 10417 | 7883 | 3992 | 10974 | |
| 6988 | SP1005-04 | SP2701-54 | SP2601-37 | – | SP2601-41 | 11258-01 | 2574 | 9336 | 10494 | |
| 22039 | SP1005-05 | SP2701-54 | SP2601-37 | – | SP2601-37 | 11256-01 | 2574 | 9336 | 10494 | |
| 22268 | SP1005-05 | SP2701-54 | SP2601-37 | – | SP2601-37 | 11258-01 | 2574 | 9336 | 10494 | |
| 6988 | SP1003-09 | SP2701-21 | SP2601-39 | SP2701-15 | SP2601-39 | 10417 | 7883 | 3992 | 10494 | |
| 6988 | SP1005-04 | SP2701-54 | SP2601-0458 | – | SP2601-0458 | 11256-01 | 2574 | 9336 | 10494 | |
| 22268 | SP1005-05 | SP2701-54 | SP2601-37 | – | SP2601-37 | 11258-01 | 2574 | 9336 | 10494 | |
| 6988 | SP1005-04 | SP2701-54 | SP2601-37 | SP2700-49 | SP2601-37 | 11256-01 | 2574 | 9336 | 10494 | |
| 22039 | SP1005-04 | SP2701-54 | SP2601-37 | – | SP2601-37 | 11256-01 | 2574 | 10773 | 10494 | |
| 6988 | SP1005-04 | SP2701-54 | SP2601-37 | – | SP2601-37 | 11256-01 | 2574 | 10773 | 10494 | |
| 6988 | SP1005-04 | SP2701-54 | SP2601-37 | – | SP2601-41 | 11258-01 | 2574 | 9336 | 10494 | |
| 6988 | SP1005-04 | SP2701-54 | SP2601-37 | – | SP2601-41 | 11258-01 | 2574 | 9336 | 10494 | |
| 6988 | SP1005-04 | SP2701-54 | SP2601-37 | – | SP2601-41 | 11258-01 | 2574 | 9336 | 10494 | |
| 6988 | SP1005-04 | SP2701-54 | SP2601-37 | – | SP2601-41 | 11258-01 | 2574 | 9336 | 10494 | |
| 6988 | SP1005-04 | SP2701-54 | SP2601-37 | – | SP2601-43 | 11258-01 | 2574 | 9336 | 10494 | |
| 834 | SP1005-04 | SP2701-54 | SP2601-37 | SP2700-49 | SP2601-37 | 11254 | 2574 | 9336 | 10634 | |
| 834 | SP1005-04 | SP2701-54 | SP2601-37 | SP2700-49 | SP2601-37 | 11228-9000 | 2574 | 9336 | 10634 | |
| 834 | SP1005-04 | SP2701-54 | SP2601-37 | SP2700-49 | SP2601-37 | 11254 | 2574 | 9336 | 10634 | |

13 Service Parts

FLEXIBLE IMPELLER PUMP SPARES BY PUMP MODEL



| JABSCO PUMP DETAILS | | | | | | | SERVICE KIT LISTING | | | | |
|---------------------------|------------|--------------|-------------------|---------------|----------|-----------------------------|---------------------|-------------------|------------|------------|---------------------|
| MODEL NUMBER *OEM ONLY | UK/ USA | PUMP SIZE | PORT TYPE | MOUNT TYPE | OBSOLETE | ALTERNATE PUMP NUMBER | PART KEY | 1 | 2 | 3 | 4 |
| | | | | | | | KIT NUMBER | GASKET/ O-RING | IMPELLER | WATER SEAL | END COVER SCREWS |
| 10630-200 | UK | 200 | 1-1/2" Flanged | Foot | • | 52220-0011 | SK230 | 816 | 836-0001 | 21849 | SP1005-04 |
| 10630-207 | UK | 200 | 1-1/2" Flanged | Foot | • | 52220-0011 | SK230 | 816 | 836-0001 | 21849 | SP1005-04 |
| 10630-57 | UK | 200 | 1-1/2" Flanged | Flange | • | 52220-0011 | SK230 | 816 | 836-0001 | 21849 | SP1005-04 |
| 10650 | UK | 200 | 1-1/2" Flanged | Foot | • | 51220-0011 | SK230 | 816 | 836-0001 | 21849 | SP1005-04 |
| 10650-200 | UK | 200 | 1-1/2" Flanged | Foot | • | 51200-2011 | SK230 | 816 | 836-0001 | 21849 | SP1005-04 |
| 10660 | UK | 270 | 2" Flanged | Foot | • | 51270-0011 | SK254 | 816 | 17936-0001 | 21849 | SP1005-04 |
| 10660-200 | UK | 270 | 2" Flanged | Foot | • | 51270-2011 | SK254 | 816 | 17936-0001 | 21849 | SP1005-04 |
| 10670 | UK | 200 | 1-1/2" Flanged | Foot | • | 50220-0011 | SK230-01 | 816 | 836-0001 | 21849 | SP1005-04 |
| 10670-01 | UK | 200 | 1-1/2" Flanged | Foot | • | 50220-0111 | SK230-01 | 816 | 836-0001 | 21849 | SP1005-04 |
| 10670-10 | UK | 200 | 1-1/2" Flanged | Foot | • | 50220-0211 | SK230-01 | 816 | 836-0001 | 21849 | SP1005-04 |
| 10670-11 | UK | 200 | 1-1/2" Flanged | Foot | • | 50220-0311 | SK230-01 | 816 | 836-0001 | 21849 | SP1005-04 |
| 10670-200 | UK | 200 | 1-1/2" Flanged | Foot | • | 50200-2011 | SK230-01 | 816 | 836-0001 | 21849 | SP1005-04 |
| 10670-201 | UK | 200 | 1-1/2" Flanged | Foot | • | 50200-2111 | SK230-01 | 816 | 836-0001 | 21849 | SP1005-04 |
| 10670-210 | UK | 200 | 1-1/2" Flanged | Foot | • | 50200-2211 | SK230-01 | 816 | 836-0001 | 21849 | SP1005-04 |
| 10670-211 | UK | 200 | 1-1/2" Flanged | Foot | • | 50200-2311 | SK230-01 | 816 | 836-0001 | 21849 | SP1005-04 |
| 10680 | UK | 270 | 2" Flanged | Foot | • | 50270-0011 | SK254 | 816 | 21676-0001 | 21849 | SP1005-04 |
| 10680-01 | UK | 270 | 2" Flanged | Foot | • | 50270-0111 | SK254 | 816 | 21676-0001 | 21849 | SP1005-04 |
| 10680-10 | UK | 270 | 2" Flanged | Foot | • | 50270-0211 | SK254 | 816 | 21676-0001 | 21849 | SP1005-04 |
| 10680-11 | UK | 270 | 2" Flanged | Foot | • | 50270-0311 | SK254 | 816 | 21676-0001 | 21849 | SP1005-04 |
| 10680-200 | UK | 270 | 2" Flanged | Foot | • | 50270-2011 | SK254 | 816 | 21676-0001 | 21849 | SP1005-04 |
| 10680-201 | UK | 270 | 2" Flanged | Foot | • | 50270-2111 | SK254 | 816 | 21676-0001 | 21849 | SP1005-04 |
| 10680-210 | UK | 270 | 2" Flanged | Foot | • | 50270-2211 | SK254 | 816 | 21676-0001 | 21849 | SP1005-04 |
| 10680-211 | UK | 270 | 2" Flanged | Foot | • | 50270-2311 | SK254 | 816 | 21676-0001 | 21849 | SP1005-04 |
| 10770-0051 | UK | 200 | 1-1/2" Flanged | Flange | • | | SK369-0001 | 816 | 836-0001 | 21849 | SP1095-0640 |
| 10770-0111 | UK | 200 | 1-1/2" Flanged | Flange | • | | SK230 | 816 | 17935-0001 | 21849 | SP1095-0640 |
| 10770-0151 | UK | 200 | 1-1/2" Flanged | Flange | • | | SK369-0001 | 816 | 836-0001 | 21849 | SP1095-0640 |
| 10770-0331 | UK | 200 | 1-1/2" Flanged | Flange | | | SK369-0001 | 816 | 836-0001 | 21849 | SP1095-0640 |

| GENERAL PARTS LISTING | | | | | | | | | | |
|-----------------------|-----------|-------------------|------------------|--------------------|-------------------|------------|-----------|-----------|------------|--|
| 5 | 6 | 7 | 8 | 9 | 10 | 11 | 12 | 13 | 14 | |
| CAM | CAM SCREW | PUMP END OIL SEAL | PUMP END BEARING | DRIVE END OIL SEAL | DRIVE END BEARING | SHAFT | WEARPLATE | END COVER | BODY | |
| 834 | SP1005-04 | SP2701-54 | SP2601-37 | SP2700-49 | SP2601-37 | 11254 | 2574 | 9336 | 10634 | |
| 834 | SP1005-04 | SP2701-54 | SP2601-37 | SP2700-49 | SP2601-37 | 11254 | 2574 | 9336 | 10634 | |
| 2551 | SP1005-05 | SP2701-54 | SP2601-37 | SP2700-49 | SP2601-37 | 11254 | 2574 | 9336 | 10634 | |
| 834 | SP1005-04 | SP2701-54 | SP2601-37 | – | SP2601-37 | 10657-0020 | 2574 | 9336 | 10634 | |
| 834 | SP1005-04 | SP2701-54 | SP2601-37 | – | SP2601-37 | 10657-0020 | 2574 | 9336 | 10634 | |
| 6988 | SP1005-04 | SP2701-54 | SP2601-37 | – | SP2600-09 | 10657-0030 | 2574 | 9336 | 10494 | |
| 6988 | SP1005-04 | SP2701-54 | SP2601-37 | – | SP2600-09 | 10657-0030 | 2574 | 9336 | 10494 | |
| 834 | SP1005-04 | SP2701-54 | SP2601-37 | – | SP2601-37 | 10667-0020 | 2574 | 9336 | 10634-02 | |
| 834 | SP1005-04 | SP2701-54 | SP2601-37 | – | SP2601-37 | 10667-0020 | 2574 | 9336 | 10634-02 | |
| 834 | SP1005-04 | SP2701-54 | SP2601-37 | – | SP2601-37 | 10667-0020 | 2574 | 9336 | 10634-02 | |
| 834 | SP1005-04 | SP2701-54 | SP2601-37 | – | SP2601-37 | 10667-0020 | 2574 | 9336 | 10634-02 | |
| 834 | SP1005-04 | SP2701-54 | SP2601-37 | – | SP2601-37 | 10667-0020 | 2574 | 9336 | 10634-02 | |
| 834 | SP1005-04 | SP2701-54 | SP2601-37 | – | SP2601-37 | 10667-0020 | 2574 | 9336 | 10634-02 | |
| 834 | SP1005-04 | SP2701-54 | SP2601-37 | – | SP2601-37 | 10667-0020 | 2574 | 9336 | 10634-02 | |
| 834 | SP1005-04 | SP2701-54 | SP2601-37 | – | SP2601-37 | 10667-0020 | 2574 | 9336 | 10634-02 | |
| 834 | SP1005-04 | SP2701-54 | SP2601-37 | – | SP2601-37 | 10667-0020 | 2574 | 9336 | 10634-02 | |
| 834 | SP1005-04 | SP2701-54 | SP2601-37 | – | SP2601-37 | 10667-0020 | 2574 | 9336 | 10634-02 | |
| 834 | SP1005-04 | SP2701-54 | SP2601-37 | – | SP2601-37 | 10667-0020 | 2574 | 9336 | 10634-02 | |
| 834 | SP1005-04 | SP2701-54 | SP2601-37 | – | SP2601-37 | 10667-0020 | 2574 | 9336 | 10634-02 | |
| 834 | SP1005-04 | SP2701-54 | SP2601-37 | – | SP2601-37 | 10667-0020 | 2574 | 9336 | 10494-01 | |
| 6988 | SP1005-04 | SP2701-54 | SP2601-37 | – | SP2600-09 | 10667-0030 | 2574 | 9336 | 10494-01 | |
| 6988 | SP1005-04 | SP2701-54 | SP2601-37 | – | SP2600-09 | 10667-0030 | 2574 | 9336 | 10494-01 | |
| 6988 | SP1005-04 | SP2701-54 | SP2601-37 | – | SP2600-09 | 10667-0030 | 2574 | 9336 | 10494-01 | |
| 6988 | SP1005-04 | SP2701-54 | SP2601-37 | – | SP2600-09 | 10667-0030 | 2574 | 9336 | 10494-01 | |
| 6988 | SP1005-04 | SP2701-54 | SP2601-37 | – | SP2600-09 | 10667-0030 | 2574 | 9336 | 10494-01 | |
| 6988 | SP1005-04 | SP2701-54 | SP2601-37 | – | SP2600-09 | 10667-0030 | 2574 | 9336 | 10494-01 | |
| 6988 | SP1005-04 | SP2701-54 | SP2601-37 | – | SP2600-09 | 10667-0030 | 2574 | 9336 | 10494-01 | |
| 6988 | SP1005-04 | SP2701-54 | SP2601-37 | – | SP2600-09 | 10667-0030 | 2574 | 9336 | 10494-01 | |
| 6988 | SP1005-04 | SP2701-54 | SP2601-37 | – | SP2600-09 | 10667-0030 | 2574 | 9336 | 10494-01 | |
| 6988 | SP1005-04 | SP2701-54 | SP2601-37 | – | SP2600-09 | 10667-0030 | 2574 | 9336 | 10494-01 | |
| 2551 | SP1005-05 | SP2701-54 | SP2601-37 | – | SP2601-37 | 11258 | 2574 | 9336 | 10634 | |
| 834 | SP1005-04 | SP2701-54 | SP2601-37 | – | SP2601-37 | 11256 | 2574 | 9336 | 10634 | |
| 2551 | SP1005-05 | SP2701-54 | SP2601-37 | – | SP2601-37 | 11256 | 2574 | 9336 | 23704-0000 | |
| 29772-0000 | SP1005-05 | SP2701-54 | SP2601-0458 | – | SP2601-0458 | 11256 | 2574 | 9336 | 10584-03 | |

13 Service Parts

FLEXIBLE IMPELLER PUMP SPARES BY PUMP MODEL



| JABSCO PUMP DETAILS | | | | | | | SERVICE KIT LISTING | | | | |
|---------------------------|------------|--------------|-------------------|---------------|----------|-----------------------------|---------------------|-------------------|------------|------------|---------------------|
| MODEL NUMBER *OEM ONLY | UK/ USA | PUMP SIZE | PORT TYPE | MOUNT TYPE | OBSOLETE | ALTERNATE PUMP NUMBER | PART KEY | 1 | 2 | 3 | 4 |
| | | | | | | | KIT NUMBER | GASKET/ O-RING | IMPELLER | WATER SEAL | END COVER SCREWS |
| 10770-0351 | UK | 200 | 1-1/2" Flanged | Flange | | | SK230-01 | 816 | 836-0001 | 21849 | SP1005-04 |
| 10770-0531 | UK | 200 | 1-1/2" Flanged | Flange | | | – | 816 | 836-0001 | 96080-0373 | SP1095-0640 |
| 10770-0551 | UK | 200 | 1-1/2" Flanged | Flange | | | – | 816 | 836-0001 | 96080-0373 | SP1095-0640 |
| 10770-07 | UK | 200 | 1-1/2" Flanged | Flange | • | | SK230-01 | 816 | 836-0001 | 21849 | SP1005-04 |
| 10770-57 | UK | 200 | 1-1/2" Flanged | Flange | | | SK230-01 | 816 | 836-0001 | 21849 | SP1005-04 |
| 10770-62 | UK | 200 | 1-1/2" Flanged | Flange | • | | SK230-01 | 816 | 836-0001 | 21849 | SP1005-04 |
| 10800-21 | UK | 200 | 1" NPSF | Flange | • | | SK229 | 890 | 17937-0001 | 22617-0010 | SP1003-09 |
| 10880-0051 | UK | 200 | 1-1/2" Flanged | Flange | • | | SK230-0161 | 816 | 17935-0001 | 21849 | SP1095-0640 |
| 10880-0101 | UK | 200 | 1-1/2" Flanged | Flange | • | | SK230 | 816 | 836-0001 | 21849 | SP1005-04 |
| 10880-0151 | UK | 200 | 1-1/2" Flanged | Flange | • | | SK230-0161 | 816 | 17935-0001 | 21849 | SP1095-0640 |
| 10880-07 | UK | 200 | 1-1/2" Flanged | Flange | • | | SK230 | 816 | 836-0001 | 21849 | SP1005-04 |
| 10880-21 | UK | 200 | 1-1/2" Flanged | Flange | • | | SK230 | 816 | 836-0001 | 21849 | SP1005-04 |
| 10880-2461 | UK | 200 | 1-1/2" Flanged | Flange | • | 10880-2561 | SK375-0101 | 816 | 17935-0001 | 21849 | SP1005-04 |
| 10880-2561 | UK | 200 | 1-1/2" Flanged | Flange | | | SK375-0101 | 816 | 17935-0001 | 21849 | SP1005-04 |
| 10880-2611 | UK | 200 | 1-1/2" Flanged | Flange | • | | SK375-0101 | 816 | 17935-0001 | 21849 | SP1005-04 |
| 10880-2661 | UK | 200 | 1-1/2" Flanged | Flange | | | SK375-0101 | 816 | 17935-0001 | 21849 | SP1005-04 |
| 10880-62 | UK | 200 | 1-1/2" Flanged | Flange | • | | SK230-01 | 816 | 836-0001 | 21849 | SP1005-04 |
| 10950-200 | UK | 40 | 3/4" BSP | Flange | • | 10950-2401 | SK239 | 3298 | 1210-0001 | 22617-0010 | SP1002-02 |
| 10950-201 | UK | 40 | 1/2" BSP | Flange | • | 10950-2401 | SK239 | 3298 | 1210-0001 | 22617-0010 | SP1002-02 |
| 10950-204 | UK | 40 | 3/4" BSP | Flange | • | 10950-2401 | SK239 | 3298 | 1210-0001 | 22617-0010 | SP1002-02 |
| 10950-205 | UK | 40 | 3/4" BSP | Flange | • | 10950-2401 | SK239 | 3298 | 1210-0001 | 22617-0010 | SP1002-02 |
| 10950-2101 | UK | 40 | 3/4" BSP | Flange | • | 10950-2401 | SK239 | 3298 | 1210-0001 | 22617-0010 | SP1002-02 |
| 10950-2141 | UK | 40 | 3/4" BSP | Flange | • | 10950-2401 | SK239 | 3298 | 1210-0001 | 22617-0010 | SP1002-02 |
| 10950-2201 | UK | 40 | 3/4" BSP | Flange | • | 10950-2601 | SK239 | 3298 | 1210-0001 | 22617-0010 | SP1002-02 |
| 10950-2241 | UK | 40 | 3/4" BSP | Flange | • | 10950-2601 | SK239 | 3298 | 1210-0001 | 22617-0010 | SP1002-02 |
| 10950-2401 | UK | 40 | 3/4" BSP | Flange | | | SK239 | 3298 | 1210-0001 | 22617-0010 | SP1002-02 |
| 10950-2441 | UK | 40 | 3/4" BSP | Flange | • | 10950-2601 | SK239 | 3298 | 1210-0001 | 22617-0010 | SP1002-02 |

| GENERAL PARTS LISTING | | | | | | | | | | |
|-----------------------|-----------|-------------------|------------------|--------------------|-------------------|------------|-----------|-----------|------------|--|
| 5 | 6 | 7 | 8 | 9 | 10 | 11 | 12 | 13 | 14 | |
| CAM | CAM SCREW | PUMP END OIL SEAL | PUMP END BEARING | DRIVE END OIL SEAL | DRIVE END BEARING | SHAFT | WEARPLATE | END COVER | BODY | |
| 2551 | SP1005-05 | SP2701-54 | SP2601-37 | – | SP2601-37 | 11258 | 2574 | 9336 | 23704-0000 | |
| 29772-0000 | SP1005-05 | SP2701-54 | SP2601-37 | – | SP2601-37 | 11256 | 2574 | 9336 | 23704-0000 | |
| 2551 | SP1005-05 | SP2701-54 | SP2601-37 | – | SP2601-37 | 11256 | 2574 | 10773 | 10634 | |
| 834 | SP1005-04 | SP2701-54 | SP2601-37 | – | SP2601-41 | 11256 | 2574 | 9336 | 10634 | |
| 2551 | SP1005-05 | SP2701-54 | SP2601-37 | – | SP2601-41 | 11256 | 2574 | 9336 | 10634 | |
| 2551 | SP1005-05 | SP2701-54 | SP2601-37 | – | SP2601-41 | 21679-0000 | 2574 | 9336 | 10634 | |
| 3255 | SP1004-11 | 92701-6004 | SP2601-10 | – | SP2601-10 | 10807-21 | 4156 | 3993 | 10634 | |
| 2551 | SP1005-05 | SP2701-54 | SP2601-0458 | – | SP2601-0458 | 11258 | 2574 | 9336 | 10584-03 | |
| 834 | SP1005-04 | SP2701-54 | SP2601-37 | – | SP2601-37 | 11258 | 2574 | 9336 | 10584-03 | |
| 2551 | SP1005-05 | SP2701-54 | SP2601-0458 | – | SP2601-0458 | 11256 | 2574 | 9336 | 10584-03 | |
| 834 | SP1005-04 | SP2701-54 | SP2601-37 | – | SP2601-41 | 11258 | 2574 | 9336 | 10584 | |
| 834 | SP1005-04 | SP2701-54 | SP2601-37 | – | SP2601-41 | 11228-9000 | 2574 | 9336 | 21684-2000 | |
| 2551 | SP1005-05 | SP2701-54 | SP2601-37 | – | SP2601-37 | 11258-0020 | 2574 | 9336 | 21684-2000 | |
| 2551 | SP1005-05 | SP2701-54 | SP2601-37 | – | SP2601-41 | 23387-0000 | 2574 | 9336 | 21684-2000 | |
| 834 | SP1005-04 | SP2701-54 | SP2601-37 | – | SP2601-37 | 23387-0020 | 2574 | 9336 | 21684-2000 | |
| 2551 | SP1005-05 | SP2701-54 | SP2601-37 | | SP2601-37 | 23387-0000 | 2574 | 9336 | 21684-2000 | |
| 834 | SP1005-04 | SP2701-54 | SP2601-37 | – | SP2601-41 | 21679-0000 | 2574 | 9336 | 10584 | |
| 490 | SP1003-01 | SP2701-21 | SP2601-39 | – | SP2601-39 | 23377-0000 | 7883 | 3992 | 10554-200 | |
| 490 | SP1003-01 | SP2701-21 | SP2601-39 | – | SP2601-39 | 23377-0000 | 7883 | 3992 | 10554-200 | |
| 10336 | SP1003-09 | SP2701-21 | SP2601-39 | – | SP2601-39 | 23377-0000 | 7883 | 3992 | 10554-200 | |
| 10336 | SP1003-09 | SP2701-21 | SP2601-39 | – | SP2601-39 | 23377-0000 | 7883 | 3992 | 10554-200 | |
| 490 | SP1003-01 | SP2701-21 | SP2601-39 | – | SP2601-39 | 22927-0000 | 7883 | 3992 | 10554-200 | |
| 490 | SP1003-01 | SP2701-21 | SP2600-01 | – | SP2600-01 | 22927-0000 | 7883 | 3992 | 10554-200 | |
| 490 | SP1003-01 | SP2701-21 | SP2601-39 | – | SP2601-39 | 22927-0000 | 7883 | 3992 | 10554-200 | |
| 490 | SP1003-01 | SP2701-21 | SP2600-01 | – | SP2600-01 | 22927-0000 | 7883 | 3992 | 10554-200 | |
| 490 | SP1003-01 | SP2701-21 | SP2600-01 | – | SP2600-01 | 23377-0000 | 7883 | 3992 | 10554-200 | |
| 10336 | SP1003-09 | SP2701-21 | SP2600-01 | – | SP2600-01 | 23377-0000 | 7883 | 3992 | 10554-200 | |

13 Service Parts

FLEXIBLE IMPELLER PUMP SPARES BY PUMP MODEL



| JABSCO PUMP DETAILS | | | | | | | SERVICE KIT LISTING | | | | |
|---------------------------|------------|--------------|----------------|---------------|----------|-----------------------------|---------------------|-------------------|------------|------------|---------------------|
| MODEL NUMBER *OEM ONLY | UK/ USA | PUMP SIZE | PORT TYPE | MOUNT TYPE | OBSOLETE | ALTERNATE PUMP NUMBER | PART KEY | 1 | 2 | 3 | 4 |
| | | | | | | | KIT NUMBER | GASKET/ O-RING | IMPELLER | WATER SEAL | END COVER SCREWS |
| 10950-2451 | UK | 40 | 3/4" BSP | Flange | • | 10950-2601 | SK239 | 3298 | 1210-0001 | 22617-0010 | SP1002-02 |
| 10950-2601 | UK | 40 | 3/4" BSP | Flange | | | SK239 | 3298 | 1210-0001 | 22617-0010 | SP1002-02 |
| 10950-2701 | UK | 40 | 3/4" BSP | Flange | • | 10950-2401 | SK239 | 3298 | 1210-0001 | 22617-0010 | SP1002-02 |
| 10970 | UK | 40 | 3/4" NPTF | Flange | | | SK268-01 | 3298 | 1210-0001 | 22617-0010 | SP1002-02 |
| 10970-21 | UK | 40 | 3/4" Flanged | Flange | | | SK268-01 | 3298 | 1210-0001 | 22617-0010 | SP1002-02 |
| 10980-0051 | UK | 200 | 1-1/2" Flanged | Flange | • | | SK230-0161 | 816 | 17935-0001 | 21849 | SP1005-04 |
| 10980-01 | UK | 200 | 1-1/2" Flanged | Flange | • | 10980-0051 | SK230-01 | 816 | 836-0001 | 21849 | SP1005-04 |
| 11000 | UK | 20 | Ø 16 Hose | Flange | • | | SK211 | 10817 | 673-0001 | SP2701-04 | SP1002-09 |
| 11000-01 | UK | 20 | Ø 16 Hose | Flange | • | | SK211 | 10817 | 673-0001 | SP2701-04 | SP1002-09 |
| 11100-0101 | UK | 270 | 2" Flanged | Flange | • | | SK254 | 816 | 21676-0001 | 21849 | SP1005-04 |
| 11100-01-01 | UK | 270 | 2" BSP | Flange | • | | SK254 | 816 | 21676-0001 | 21849 | SP1005-04 |
| 11100-0141 | UK | 270 | 2" Flanged | Flange | • | | SK254 | 816 | 21676-0001 | 21849 | SP1005-04 |
| 11100-0151 | UK | 270 | 2" Flanged | Flange | • | | SK254 | 816 | 21676-0001 | 21849 | SP1005-04 |
| 11100-0541 | UK | 270 | 2" Flanged | Flange | | | SK254 | 816 | 21676-0001 | 21849 | SP1005-04 |
| 11100-0601 | UK | 270 | 2" Flanged | Flange | | | SK254 | 816 | 17936-0001 | 21849 | SP1005-04 |
| 11100-0641 | UK | 270 | 2" Flanged | Flange | • | | SK254 | 816 | 17936-0001 | 21849 | SP1005-04 |
| 11120-200 | UK | 80 | 1" BSP | Flange | • | | SK229 | 890 | 17937-0001 | 22617-0010 | SP1003-09 |
| 11120-204 | UK | 80 | 1" BSP | Flange | • | | SK229 | 890 | 17937-0001 | 22617-0010 | SP1003-09 |
| 11120-205 | UK | 80 | 1" BSP | Flange | • | | SK229 | 890 | 17937-0001 | 22617-0010 | SP1003-09 |
| 11150-0011 | UK | 200 | 2" Flanged | Foot | • | | SK254 | 816 | 21676-0001 | 21849 | SP1005-04 |
| 11260-200 | UK | 10 | 1/4" BSP | Flange | • | 29300-2101C | SK266 | 1126 | 4528-0001 | SP2701-04 | SP1002-01 |
| 11260-205 | UK | 10 | 1/4" BSP | Flange | • | 29300-2151C | SK266 | 1126 | 4528-0001 | SP2701-04 | SP1002-01 |
| 11260-2101 | UK | 10 | 3/8" BSP | Flange | • | 29300-2201C | SK266 | 1126 | 4528-0001 | SP2701-04 | SP1002-01 |
| 11260-211 | UK | 10 | 1/4" BSP | Flange | • | | SK266 | 1126 | 4528-0001 | SP2701-04 | SP1002-01 |
| 11260-2151 | UK | 10 | 3/8" BSP | Flange | • | 29300-2151C | SK266 | 1126 | 4528-0001 | SP2701-04 | SP1002-01 |
| 11260-2211 | UK | 10 | 3/8" BSP | Flange | • | | SK266 | 1126 | 4528-0001 | SP2701-04 | SP1002-01 |
| 11410-200 | UK | 40 | 3/4" BSP | Foot | • | Bilge | SK328 | 11415 | 1210-0001 | 22617-0010 | SP1003-08 |
| 11410-200 | UK | 80 | 1" BSP | Foot | | Cooling | SK328 | 890 | 17937-0001 | 22617-0010 | SP1003-11 |
| 11430-01 | UK | 10 | 1/4" BSP | Flange | • | | SK272 | 11438 | 4528-0001 | SP2700-11 | SP1002-04 |
| 11470-200 | UK | 20 | Ø 16 Hose | Flange | • | Bilge | SK325 | 11475 | 673-0001 | 22626-0000 | SP1002-03 |
| 11470-200 | UK | 40 | 3/4" BSP | Flange | | Cooling | SK325 | 11476 | 1210-0001 | 22626-0000 | SP1002-06 |
| 11570-200 | UK | 20 | Ø 16 Hose | Flange | • | Bilge | SK325 | 11475 | 673-0001 | 22626-0000 | SP1002-03 |
| 11570-200 | UK | 40 | 3/4" BSP | Flange | | Cooling | SK325 | 11476 | 1210-0001 | 22626-0000 | SP1002-06 |
| 11590-204 | UK | 40 | 3/4" BSP | Foot | • | Bilge | SK285 | 11415 | 1210-0001 | 22645-0000 | SP1003-08 |
| 11590-204 | UK | 80 | 1" BSP | Foot | | Cooling | SK285 | 11593 | 17937-0001 | 22645-0000 | SP1003-11 |
| 11600 | USA | 80 | 1" NPT | Foot | | | SK299 | 890 | 17937-0001 | 22617-0010 | SP1003-09 |

| GENERAL PARTS LISTING | | | | | | | | | | |
|-----------------------|--------------|-------------------|------------------|--------------------|-------------------|------------|-----------|----------------|------------|--|
| 5 | 6 | 7 | 8 | 9 | 10 | 11 | 12 | 13 | 14 | |
| CAM | CAM SCREW | PUMP END OIL SEAL | PUMP END BEARING | DRIVE END OIL SEAL | DRIVE END BEARING | SHAFT | WEARPLATE | END COVER | BODY | |
| 10336 | SP1003-09684 | SP2701-21 | SP2600-01 | – | SP2600-01 | 23377-0000 | 7883 | 3992 | 10554-200 | |
| 490 | SP1003-09 | SP2701-21 | SP2600-01 | – | SP2600-01 | 23377-0000 | 7883 | 3992 | 10554-200 | |
| 490 | SP1003-09 | SP2701-21 | SP2600-01 | – | SP2600-01 | 23377-0000 | 7883 | 3992 | 10554-200 | |
| 490 | SP1003-01 | SP2701-21 | SP2601-39 | – | SP2601-39 | 9977-01 | 7883 | 3992 | 10974 | |
| 490 | SP1003-01 | SP2701-21 | SP2601-39 | – | SP2601-39 | 9977-01 | 7883 | 3992 | 21148 | |
| 2551 | SP1005-05 | SP2700-51 | – | – | SP2600-04 | 4388-07 | 2574 | 9336 | 10634 | |
| 2551 | SP1005-05 | SP2701-51 | – | – | SP2600-04 | 4388-07 | 2574 | 9336 | 10634-01 | |
| 2441 | SP1002-01 | – | – | – | – | 11007 | – | 9905 | 9904 | |
| 2907 | SP1002-09 | – | – | – | – | 11007 | – | 9905 | 9904 | |
| 6988 | SP1005-54 | SP2701-54 | SP2601-37 | – | SP2601-37 | 11494-01 | 2574 | 9336 | 11104-01 | |
| 6988 | SP1005-54 | SP2701-54 | SP2601-37 | – | SP2601-37 | 11494-01 | 2574 | 9336 | 11104-01 | |
| 6988 | SP1005-54 | SP2701-54 | SP2601-37 | – | SP2601-37 | 11494-01 | 2574 | 9336 | 11104-01 | |
| 22268 | SP1005-05 | SP2701-54 | SP2601-37 | – | SP2601-37 | 11494-01 | 2574 | 9336 | 11104-01 | |
| 22268 | SP1005-05 | SP2701-54 | SP2601-0458 | – | SP2601-0458 | 23387-0010 | 2574 | 9336 | 11104-0050 | |
| 6988 | SP1005-04 | SP2701-54 | SP2601-0458 | – | SP2601-0458 | 23387-0010 | 2574 | 9336 | 11104-0050 | |
| 22268 | – | SP2701-54 | SP2601-0458 | – | SP2601-0458 | 23387-0010 | 2574 | 9336 | 11104-0050 | |
| 934-0000 | SP1004-09 | SP2701-21 | SP2601-10 | – | SP2601-10 | 11127 | 4156 | 3993 | 10329-200 | |
| 3255 | SP1004-11 | SP2701-21 | SP2601-10 | – | SP2601-10 | 11127 | 4156 | 3993 | 10329-200 | |
| 2431 | SP1004-10 | SP2701-21 | SP2601-10 | – | SP2601-10 | 11127 | 4156 | 3993 | 10329-200 | |
| 6988 | SP1005-04 | SP2701-54 | SP2601-37 | – | SP2601-37 | 11254-01 | 2574 | 9336 | 11104 | |
| AL8 | SP1002-09 | – | – | – | – | 11227 | – | AL6-200 | 11264-200 | |
| AL8-01 | SP1002-01 | – | – | – | – | 11227 | – | AL6-200 | 11264-200 | |
| AL8 | SP1002-09 | – | – | – | – | 11227 | – | AL6-200 | 11264-2100 | |
| AL8 | SP1002-09 | – | – | – | – | 21537 | – | AL6-200 | 11264-200 | |
| AL8-01 | SP1002-01 | – | – | – | – | 11127 | – | AL6-200 | 11264-2100 | |
| AL8 | SP1002-09 | – | – | – | – | 21537 | – | AL6-200 | 11264-200 | |
| 7876 | SP1003-01 | – | – | – | – | – | – | – | 11414-200 | |
| 934-0000 | SP1004-09 | SP2701-21 | SP2600-38 | SP2700-47 | SP2600-38 | 9717-21 | 7883 | 11416 (Div PI) | 10339-221 | |
| 11436 | SP1002-01 | SP2701-22 | – | – | SP2600-07 | 11437 | 2765 | 11435 | 11434-01 | |
| 2907-0001 | SP1002-09 | – | – | – | – | – | – | – | 11474 | |
| 490 | SP1003-01 | SP2701-21 | SP2600-13 | – | SP2600-13 | 11447 | 7883 | 11478 (Div PI) | 10974-221 | |
| 2907-0001 | SP1002-09 | – | – | – | – | – | – | – | 11474 | |
| 490 | SP1003-01 | SP2703-02 | SP2601-39 | SP2701-15 | SP2601-39 | 11577 | 7883 | 11478 (Div PI) | 10554-221 | |
| 7876 | SP1003-01 | – | – | – | – | – | – | – | 11414-200 | |
| 3255 | SP1004-11 | SP2700-48 | – | – | SP2600-06 | 9707-21 | 4156 | 11416 (Div PI) | 9704-21 | |
| 934-0000 | SP1004-09 | SP2701-0940 | – | SP2700-48 | SP2601-42 | 11608 | 4156 | 3993 | 11604 | |

13 Service Parts

FLEXIBLE IMPELLER PUMP SPARES BY PUMP MODEL



| JABSCO PUMP DETAILS | | | | | | | SERVICE KIT LISTING | | | | |
|---------------------------|------------|--------------|----------------|---------------|----------|-----------------------------|---------------------|-------------------|------------|------------|---------------------|
| MODEL NUMBER *OEM ONLY | UK/ USA | PUMP SIZE | PORT TYPE | MOUNT TYPE | OBSOLETE | ALTERNATE PUMP NUMBER | PART KEY | 1 | 2 | 3 | 4 |
| | | | | | | | KIT NUMBER | GASKET/ O-RING | IMPELLER | WATER SEAL | END COVER SCREWS |
| 11620-200 | UK | 10 | 1/4" BSP | Flange | • | 22830-2101 | SK23 | 1189 | 4528-0001 | SP2701-11 | SP1002-01 |
| 11620-211 | UK | 10 | 1/4" BSP | Flange | • | | SK23 | 1189 | 4528-0001 | SP2701-11 | SP1002-01 |
| 11650-200 | UK | 10 | 3/8" BSP | Flange | • | | SK266 | 1126 | 4528-0001 | SP2701-04 | SP1002-01 |
| 11740-200 | UK | 40 | 3/4" BSP | Foot | • | Bilge | SK300 | 11746 | 17937-0001 | 21849 | SP1005-03 |
| 11740-200 | UK | 80 | 1" Flanged | Foot | | Cooling | SK300 | 816 | 836-0001 | 21849 | SP1005-03 |
| 11740-205 | UK | 80 | 1" BSP | Foot | • | Bilge | SK300 | 11746 | 17937-0001 | 21849 | SP1005-03 |
| 11740-205 | UK | 200 | 1-1/2" Flanged | Foot | | Cooling | SK300 | 816 | 836-0001 | 21849 | SP1005-03 |
| 11790 | UK | 200 | 1-1/2" Flanged | Flange | | | SK230 | 816 | 836-0001 | 21849 | SP1005-04 |
| 11790-01 | UK | 200 | 1-1/2" Flanged | Flange | • | | SK230 | 816 | 836-0001 | 21849 | SP1005-04 |
| 11850-0101 | USA | 40 | 1" Hose | Flange | • | 11850-0701 | SK117-02 | 8641 | 1210-0001 | SP6080-08 | SP1026-01 |
| 11850-0701 | UK | 40 | 1" Hose | Flange | | | SK117-02 | 8641 | 1210-0001 | SP6080-08 | SP1026-01 |
| 11850-0701 | USA | 40 | 1" Hose | Flange | | | 90117-0001 | 8641-0000 | 1210-0001 | 96080-0080 | 91026-0010 |
| 11850-0711 | USA | 40 | 1" Hose | Foot | | | 90117-0001 | 8641-0000 | 1210-0001 | 96080-0080 | 91026-0010 |
| 11860-0001 | USA | 80 | 1" NPT | Foot | | | 90118-0001 | 890-0000 | 920-0003 | 96080-0080 | 91003-0010 |
| 11860-0003 | USA | 80 | 1" NPT | Foot | | | 90118-0003 | 890-0000 | 920-0003 | 96080-0080 | 91003-0010 |
| 11860-0004 | USA | 80 | 1" NPT | Foot | | | 90118-0003 | 890-0000 | 920-0003 | 96080-0080 | 91003-0010 |
| 11860-0005 | USA | 80 | 1" NPT | Foot | | | 90118-0003 | 890-0000 | 920-0003 | 96080-0080 | 91003-0010 |
| 11860-0006 | USA | 80 | 1" NPT | Foot | | | 90118-0003 | 890-0000 | 920-0003 | 96080-0080 | 91003-0010 |
| 11860-0007 | USA | 80 | 1" NPT | Foot | | | 90118-0003 | 890-0000 | 920-0003 | 96080-0080 | 91003-0010 |
| 11870-0001 | USA | 200 | 1-1/4" NPT | Foot | | | 90062-0003 | 816-0000 | 836-0003 | 6407-0010 | 91005-0040 |
| 11870-0003 | USA | 200 | 1-1/4" NPT | Foot | | | 90062-0003 | 816-0000 | 836-0003 | 6407-0010 | 91005-0040 |
| 11870-0004 | USA | 200 | 1-1/4" NPT | Foot | | | 90062-0003 | 816-0000 | 836-0003 | 6407-0010 | 91005-0040 |
| 11870-0005 | USA | 200 | 1-1/4" NPT | Foot | | | 90062-0003 | 816-0000 | 836-0003 | 6407-0010 | 91005-0040 |
| 11870-0006 | USA | 200 | 1-1/4" NPT | Foot | | | 90062-0003 | 816-0000 | 836-0003 | 6407-0010 | 91005-0040 |
| 11870-0007 | USA | 200 | 1-1/4" NPT | Foot | | | 90062-0003 | 816-0000 | 836-0003 | 6407-0010 | 91005-0040 |
| 12050-0001 | USA | 80 | 3/4" Hose | Flange | | | 90117-0121 | 8641-0080 | 3085-0001 | 92700-0180 | 91003-0090 |
| 12280-0001 | USA | 80 | Ø 32 Hose | Flange | • | | 90155-0001 | 12288-0000 | 17937-0001 | 96080-0080 | 91003-0010 |
| 12600-0001 | USA | 200 | 3" Hose | Flange | | | – | 12608-0000 | 17935-0001 | 6408-0000 | 91005-0040 |
| 12600-0011 | USA | 200 | 3" Hose | Flange | • | | – | 12608-0000 | 17935-0001 | 6408-0000 | 91005-0040 |
| 12600-0021 | USA | 200 | 3" Hose | Flange | • | | – | 12608-0000 | 17935-0001 | 6408-0000 | 91005-0040 |
| 14210-0001 | USA | 40 | 3/4" Hose | Flange | • | | 90111-0001 | 3298-0000 | 1210-0001 | 96080-0080 | 91002-0020 |
| 14300-0001 | USA | 200 | 1-1/2" Flanged | Foot | • | | – | 816-0000 | 17935-0001 | 6408-0000 | 91005-0040 |
| 14320-0001 | USA | 40 | | | | | – | 10183-0000 | 1210-0001 | 96080-0080 | 91003-0010 |
| 14420-0001 | USA | 80 | 1" NPT | | | | 90118-0001 | 890-0000 | 17937-0001 | 96080-0080 | 91003-0010 |
| 14440-0001 | USA | 200 | 2" Flanged | Flange | • | | – | 816-0000 | 17935-0001 | 6408-0000 | 91095-0060 |
| 14620 | USA | 80 | 1" Hose | Flange | • | | SK153 | 890 | 4598-0001 | SP6080-08 | SP1014-03 |
| 17030-0001 | USA | 80 | 3/4" Flanged | Flange | | | – | 3101-0000 | 17937-0001 | 96080-0080 | 91003-0010 |
| 17040-0001 | USA | 80 | 3/4" Flanged | Flange | | | – | 3101-0000 | 17937-0001 | 96080-0080 | 91003-0010 |

| GENERAL PARTS LISTING | | | | | | | | | | |
|-----------------------|-------------|-------------------|------------------|--------------------|-------------------|-------------|------------|----------------|-------------|--|
| 5 | 6 | 7 | 8 | 9 | 10 | 11 | 12 | 13 | 14 | |
| CAM | CAM SCREW | PUMP END OIL SEAL | PUMP END BEARING | DRIVE END OIL SEAL | DRIVE END BEARING | SHAFT | WEARPLATE | END COVER | BODY | |
| 2763 | SP1002-03 | SP2700-63 | – | – | SP2600-08 | 1053-11 | 2765 | 9566 | 11624-200 | |
| 2763 | SP1002-03 | SP2700-63 | – | – | SP2600-08 | 1053-11 | 2765 | 9566 | 11624-200 | |
| AL8 | SP1002-09 | – | – | – | – | 11653 | – | AL6-200 | 11654-200 | |
| 934-0000 | SP1004-09 | – | – | – | – | – | – | – | 10634 | |
| 834 | SP1005-04 | SP2701-54 | SP2601-37 | SP2700-49 | SP2601-37 | 11749-0000 | 2574 | 11745 (Div PI) | 11744-200 | |
| 934-0000 | SP1004-09 | – | – | – | – | – | – | – | 10634 | |
| 2551 | SP1005-05 | SP2701-54 | SP2601-37 | SP2700-49 | SP2601-37 | 11749-0000 | 2574 | 11745 (Div PI) | 11744-200 | |
| 834 | SP1005-04 | – | SP2601-37 | SP2701-54 | SP2601-41 | 11796-0010 | 2574 | 9336 | 10584 | |
| 834 | SP1005-04 | – | SP2601-37 | SP2701-54 | SP2601-41 | 11258 | 2574 | 9336 | 10584 | |
| 8528 | SP1030-0100 | SP3000-0090 | SP2600-0070 | – | – | 11977-0010 | 8493 | 9176 | 11854-0410 | |
| 8528 | SP1030-0100 | SP3000-0090 | SP2600-0070 | – | – | 11977-0010 | 8493 | 9176 | 11854-0410 | |
| 8528-0000 | 91030-0110 | 93000-0090 | 92600-0070 | – | – | 11977-0000 | 8493-0000 | 12346-0000 | 11854-0410 | |
| 8528-0000 | 91030-0110 | 93000-0090 | 92600-0070 | – | – | 11977-0000 | 8493-0000 | 12346-0000 | 11854-0410 | |
| 934-0000 | 91004-0090 | 913-0000 | 92600-0540 | – | – | 11867-0000 | 4156-0000 | 11831-0000 | 11864-0000 | |
| 934-0000 | 91004-0090 | 913-0000 | 92600-0540 | – | – | 11867-0000 | 4156-0000 | 11831-0000 | 11864-0000 | |
| 934-0000 | 91004-0090 | 913-0000 | 92600-0540 | – | – | 11867-0000 | 4156-0000 | 11831-0000 | 11864-0000 | |
| 934-0000 | 91004-0090 | 913-0000 | 92600-0540 | – | – | 11867-0000 | 4156-0000 | 11831-0000 | 11864-0000 | |
| 934-0000 | 91004-0090 | 913-0000 | 92600-0540 | – | – | 11867-0000 | 4156-0000 | 11831-0000 | 11864-0000 | |
| 934-0000 | 91004-0090 | 913-0000 | 92600-0540 | – | – | 11867-0000 | 4156-0000 | 11831-0000 | 11864-0000 | |
| 934-0000 | 91004-0090 | 913-0000 | 92600-0540 | – | – | 11867-0000 | 4156-0000 | 11831-0000 | 11864-0000 | |
| 834-0001 | 91004-0040 | 817-0000 | 92600-0040 | – | – | 11877-0000 | 2574-0000 | 12062-0000 | 18753-0585 | |
| 834-0001 | 91004-0040 | 817-0000 | 92600-0040 | – | – | 11877-0000 | 2574-0000 | 12062-0000 | 18753-0585 | |
| 834-0001 | 91004-0040 | 817-0000 | 92600-0040 | – | – | 11877-0000 | 2574-0000 | 12062-0000 | 18753-0585 | |
| 834-0001 | 91004-0040 | 817-0000 | 92600-0040 | – | – | 11877-0000 | 2574-0000 | 12062-0000 | 18753-0585 | |
| 834-0001 | 91004-0040 | 817-0000 | 92600-0040 | – | – | 11877-0000 | 2574-0000 | 12062-0000 | 18753-0585 | |
| 834-0001 | 91004-0040 | 817-0000 | 92600-0040 | – | – | 11877-0000 | 2574-0000 | 12062-0000 | 18753-0585 | |
| 834-0001 | 91004-0040 | 817-0000 | 92600-0040 | – | – | 11877-0000 | 2574-0000 | 12062-0000 | 18753-0585 | |
| 8528-0000 | 91003-0110 | 92700-0060 | 92600-0070 | – | – | 12057-0000 | 8493-0000 | 12055-0000 | 12054-0000 | |
| – | – | 913-0000 | 92600-0060 | – | – | 12287-0000 | – | 12294-0000 | 12284-0000 | |
| 12176-0000 | – | 817-0000 | 92600-0040 | – | – | 12607-0000 | 12606-0000 | 12179-0000 | 12604-0000 | |
| 12176-0000 | – | 817-0000 | 92600-0040 | – | – | 12607-0000 | 12606-0000 | 12179-0000 | 12604-0000 | |
| 12176-0000 | – | 817-0000 | 92600-0040 | – | – | 12607-0000 | 12606-0000 | 12179-0000 | 12604-0000 | |
| 6148-0040 | 91003-0070 | 913-0000 | 92600-0060 | – | – | 14217-0000 | 7038-0000 | 11830-0000 | 14214-0000 | |
| 834-0001 | 91005-0040 | 92701-0180 | 92600-0260 | – | 92600-0260 | 14307-0000 | 2574-0000 | 12062-0000 | 10584-0010 | |
| 490-0000 | 91003-0070 | – | 92600-0460 | – | 92600-0460 | Obsolete | – | Obsolete | Obsolete | |
| 934-0000 | 91003-0010 | 913-0000 | 92600-0540 | 914-0000 | – | 6718-0000 | 4156-0000 | 11831-0000 | 798-0020 | |
| 834-0001 | 91005-0040 | 92701-0060 | 92600-0260 | – | 92600-0260 | Proprietary | 2574-0000 | 12062-0000 | Proprietary | |
| 7867 | SP1003-01 | SP2700-48 | SP2600-25 | – | – | 14627 | 7868 | 14625 | 14622 | |
| 7867-0000 | 91003-0010 | 913-0000 | 92600-0060 | 818-0000 | – | Obsolete | 7868-0000 | 11831-0000 | Obsolete | |
| 3255-0000 | 91004-0090 | 913-0000 | 92600-0060 | – | – | Proprietary | 4156-0000 | 11831-0000 | Proprietary | |

13 Service Parts

FLEXIBLE IMPELLER PUMP SPARES BY PUMP MODEL



| JABSCO PUMP DETAILS | | | | | | | SERVICE KIT LISTING | | | | |
|---------------------------|------------|--------------|----------------|---------------|----------|-----------------------------|---------------------|-------------------|------------|------------|---------------------|
| MODEL NUMBER *OEM ONLY | UK/ USA | PUMP SIZE | PORT TYPE | MOUNT TYPE | OBSOLETE | ALTERNATE PUMP NUMBER | PART KEY | 1 | 2 | 3 | 4 |
| | | | | | | | KIT NUMBER | GASKET/ O-RING | IMPELLER | WATER SEAL | END COVER SCREWS |
| 17050-0001 | USA | 80 | 1-1/4" Flanged | Flange | | | – | 3101-0000 | 17937-0001 | 96080-0080 | 91003-0010 |
| 17050-0002 | USA | 80 | 1-1/4" Flanged | Flange | • | | – | 3101-0000 | 17937-0001 | 96080-0080 | 91003-0010 |
| 17100-0001 | USA | 80 | 1-1/4" NPT | Flange | | | 90179-0001 | 17106-0000 | 17937-0001 | 96080-0080 | Obsolete |
| 17100-0005 | USA | 80 | 1-1/4" NPT | Flange | | | 90179-0001 | 17106-0000 | 17937-0001 | 96080-0080 | Obsolete |
| 17100-0011 | USA | 80 | 1-1/4" NPT | Flange | | | 90179-0001 | 17106-0000 | 17937-0001 | 96080-0080 | Obsolete |
| 17120-0001 | USA | 10 | 3/8" NPT | Flange | | | 90178-0001 | 9156-0010 | 4528-0001 | 92700-0060 | 91002-0090 |
| 17200-0001 | USA | 80 | 1-1/4" Hose | Flange | • | 18930-0010 | – | 10184-0000 | 11979-0001 | 96080-0080 | 91003-0010 |
| 17350-0011 | USA | 120 | | Flange | | | – | 17106-0001 | 17018-0001 | 96080-0080 | – |
| 17360-1001 | USA | 200 | 2-1/2" Flange | Flange | | | 90190-0001 | 17365-1000 | 17370-0001 | 96080-0371 | 91005-0040 |
| 17380-0001 | USA | 80 | | | | | – | 17106-0000 | 11979-0001 | 92700-0060 | – |
| 17380-0011 | USA | 80 | | | | | – | 17106-0000 | 11979-0001 | 92700-0060 | – |
| 17380-0021 | USA | 80 | | | | | – | 17106-0000 | 11979-0001 | 92700-0060 | – |
| 17380-0031 | USA | 80 | | | | | – | 17106-0000 | 11979-0001 | 92700-0060 | – |
| 17410-0001 | USA | 40 | 1" Hose | Flange | • | 18830-1020 | 90187-0012 | 17408-0000 | 3085-0001 | 96080-0080 | 91095-0540 |
| 17440-0001 | USA | 80 | | | | | 90181-0001 | 17445-0000 | 17937-0001 | 96080-0080 | Obsolete |
| 17490-0001 | USA | 270 | | | • | | – | 17365-1000 | 17936-0001 | 96080-0371 | 91005-0040 |
| 17520-0001 | USA | 200 | 2-1/2" Flange | Flange | • | | – | 816-0000 | 17935-0001 | 6408-0000 | 18753-0332 |
| 17520-0002 | USA | 200 | 2-1/2" Flange | Flange | | | – | 816-0000 | 17935-0001 | 6408-0000 | 18753-0332 |
| 17520-0051 | USA | 200 | 2-1/2" Flange | Flange | | | – | 2553-1000 | 17935-0001 | 6408-0000 | 18753-0332 |
| 17520-0052 | USA | 200 | 2-1/2" Flange | Flange | | | – | 2553-1000 | 17935-0001 | 6408-0000 | 18753-0332 |
| 17530-0000 | USA | 370 | 3" Flange | Flange | | | – | 92000-1358 | 18786-0001 | 96080-0371 | 91106-0236 |
| 17540-0001 | USA | 370 | | | | | – | 92000-1358 | 18786-0001 | 96080-0371 | 91106-0236 |
| 17810-1000 | USA | 200 | 2-1/2" Flange | Flange | • | | 90019-1011 | 816-0000 | 17935-0001 | 6408-0000 | 91095-0060 |
| 17970-0000 | USA | 200 | 2-1/2" Flange | Flange | | | – | 17365-1000 | 17370-0001 | 96080-0371 | – |
| 18200-0000 | USA | 200 | 3" Hose | Flange | • | | – | 17365-1000 | 17370-0001 | 96080-0371 | 18753-0332 |
| 18200-0002 | USA | 200 | 3" Hose | Flange | | | – | 17365-1000 | 17370-0001 | 96080-0371 | 18753-0332 |
| 18300-0000 | USA | 270 | 1-1/2" NPT | Foot | | | 90254-0001 | 816-0000 | 17936-0001 | 6408-0000 | 91005-0040 |
| 18310-0000 | USA | 270 | 2" NPT | Foot | | | 90254-0003 | 816-0000 | 6760-0003 | 6408-0000 | 91005-0040 |
| 18320-0000 | USA | 270 | 1-1/2" NPT | Foot | | | 90254-0001 | 816-0000 | 17936-0001 | 6408-0000 | 91005-0040 |
| 18320-0001 | USA | 270 | 1-1/2" NPT | Foot | | | 90254-0001 | 816-0000 | 17936-0001 | 6408-0000 | 91005-0040 |
| 18320-0002 | USA | 270 | 1-1/2" NPT | Foot | | | 90254-0001 | 816-0000 | 17936-0001 | 6408-0000 | 91005-0040 |
| 18330-0000 | USA | 270 | 2" NPT | Foot | | | 90254-0003 | 816-0000 | 6760-0003 | 6408-0000 | 91005-0040 |
| 18330-0001 | USA | 270 | 2" NPT | Foot | | | 90254-0003 | 816-0000 | 6760-0003 | 6408-0000 | 91005-0040 |
| 18330-0002 | USA | 270 | 2" NPT | Foot | | | 90254-0003 | 816-0000 | 6760-0003 | 6408-0000 | 91005-0040 |
| 18340-0000 | USA | 270 | 1-1/2" NPT | Foot | | | 90254-0001 | 816-0000 | 17936-0001 | 6408-0000 | 91005-0040 |
| 18370-0000 | USA | 270 | 2" NPT | Foot | | | 90254-0001 | 816-0000 | 17936-0001 | 6408-0000 | 91005-0040 |

| GENERAL PARTS LISTING | | | | | | | | | | |
|-----------------------|------------|-------------------|------------------|--------------------|-------------------|-------------|------------|------------|-------------|--|
| 5 | 6 | 7 | 8 | 9 | 10 | 11 | 12 | 13 | 14 | |
| CAM | CAM SCREW | PUMP END OIL SEAL | PUMP END BEARING | DRIVE END OIL SEAL | DRIVE END BEARING | SHAFT | WEARPLATE | END COVER | BODY | |
| 7873-0000 | 91003-0020 | 913-0000 | 92600-0060 | – | – | 7267-0000 | 7868-0000 | 11831-0000 | 17054-0000 | |
| 7873-0000 | 91003-0020 | 913-0000 | 92600-0060 | – | – | 7267-0000 | 7868-0000 | 11831-0000 | 17054-0000 | |
| – | – | – | – | – | – | – | 17108-0000 | 17232-0000 | Obsolete | |
| – | – | – | – | – | – | – | 17108-0000 | 17232-0000 | Obsolete | |
| – | – | – | – | – | – | – | 17108-0000 | 17232-0000 | Obsolete | |
| 4538-0000 | 91002-0090 | – | – | – | – | 17127-0000 | – | 11833-0000 | 17124-0000 | |
| 10182-0000 | 91004-0090 | – | – | – | – | 14206-0000 | – | 14937-0000 | 17204-0000 | |
| – | – | – | – | – | – | – | 17108-0000 | 17232-0000 | – | |
| 17374-1000 | – | 92701-0180 | 18752-0000 | – | 18752-0000 | 17366-1000 | 17372-1000 | 17378-1000 | – | |
| – | – | – | 92600-0460 | – | 92600-0460 | 17388-0010 | 17108-0000 | 17232-0000 | Obsolete | |
| – | – | – | 92600-0460 | – | 92600-0460 | 17388-0010 | 17108-0000 | 17232-0000 | Obsolete | |
| – | – | – | 92600-0460 | – | 92600-0460 | 17388-0010 | 17108-0000 | 17232-0000 | Obsolete | |
| – | – | – | 92600-0460 | – | 92600-0460 | 17388-0010 | 17108-0000 | 17232-0000 | Obsolete | |
| – | – | – | – | – | – | 17388-0010 | 17847-0000 | 17232-0000 | 17404-0000 | |
| 2431-0000 | 91004-0100 | – | – | – | – | Obsolete | 17108-0010 | – | Obsolete | |
| 17374-1000 | – | 92700-0180 | 18752-0000 | – | 18752-0000 | 17366-1010 | 17372-1000 | 17378-1000 | – | |
| 834-0001 | 91005-0040 | 92700-0180 | 18753-0140 | – | 18753-0140 | Proprietary | 2574-0000 | 12062-0000 | Proprietary | |
| 834-0001 | 91005-0040 | 92700-0180 | 18753-0140 | – | 18753-0140 | Proprietary | 2574-0000 | 12062-0000 | Proprietary | |
| 2551-0000 | 91005-0050 | 92700-0180 | 18753-0140 | – | 18753-0140 | Proprietary | 2574-0000 | 12062-0000 | Proprietary | |
| 2551-0000 | 91005-0050 | 92700-0180 | 18753-0140 | – | 18753-0140 | Proprietary | 2574-0000 | 12062-0000 | Proprietary | |
| 18785-0000 | – | 92701-0180 | 92601-0471 | – | 18753-0592 | Proprietary | 18787-0000 | 18784-1000 | Proprietary | |
| 18785-0000 | – | 92701-0180 | 92601-0471 | – | – | Proprietary | 18787-0000 | 18784-1000 | Proprietary | |
| 834-0001 | 91005-6040 | 817-0000 | 92600-6260 | – | – | 17807-0001 | 2574-0000 | 12062-0000 | 10584-0010 | |
| 17374-1000 | – | 92701-0180 | 18752-0000 | – | 18752-0000 | Proprietary | 17272-1000 | – | Proprietary | |
| 17374-1000 | – | 817-0000 | 92600-0320 | – | 92600-0320 | 18204-0000 | 17372-1000 | 17378-1000 | 18203-0000 | |
| 17374-1000 | – | 817-0000 | 92600-0320 | – | 92600-0320 | 18204-0000 | 17372-1000 | 17378-1000 | 18203-0000 | |
| 6988-0000 | 91004-0040 | 92700-0180 | 92600-0260 | – | 92600-0260 | 10657-0010 | 2574-0000 | 12062-0000 | 18313-0002 | |
| 6988-0000 | 91004-0040 | 92701-0180 | 92600-0260 | – | 92600-0260 | 10657-0010 | 2574-0000 | 12062-0000 | 18313-0002 | |
| 6988-0000 | 91005-0040 | 92701-0180 | 92600-0260 | – | 92600-0260 | 10677-0010 | 2574-0000 | 12062-0000 | 18313-0003 | |
| 6988-0000 | 91005-0040 | 92701-0180 | 92600-0260 | – | 92600-0260 | 10677-0010 | 2574-0000 | 12062-0000 | 18313-0003 | |
| 6988-0000 | 91005-0040 | 92701-0180 | 92600-0260 | – | 92600-0260 | 10677-0010 | 2574-0000 | 12062-0000 | 18313-0003 | |
| 6988-0000 | 91005-0040 | 92701-0180 | 92600-0260 | – | 92600-0260 | 10677-0010 | 2574-0000 | 12062-0000 | 18313-0000 | |
| 6988-0000 | 91005-0040 | 92701-0180 | 92600-0260 | – | 92600-0260 | 10677-0010 | 2574-0000 | 12062-0000 | 18313-0000 | |
| 6988-0000 | 91005-0040 | 92701-0180 | 92600-0260 | – | 92600-0260 | 10677-0010 | 2574-0000 | 12062-0000 | 18313-0000 | |
| 6988-0000 | 91005-0040 | 92701-0180 | 92600-0260 | 818-0000 | 92600-0260 | 10487-0010 | 2574-0000 | 12062-0000 | 18313-0004 | |
| 6988-0000 | 91005-0040 | 92701-0180 | 92600-0260 | 818-0000 | 92600-0260 | 10487-0010 | 2574-0000 | 12062-0000 | 18313-0001 | |

13 Service Parts

FLEXIBLE IMPELLER PUMP SPARES BY PUMP MODEL



| JABSCO PUMP DETAILS | | | | | | | SERVICE KIT LISTING | | | | |
|---------------------------|------------|--------------|----------------|---------------|----------|-----------------------------|---------------------|-------------------|------------|------------|---------------------|
| MODEL NUMBER *OEM ONLY | UK/ USA | PUMP SIZE | PORT TYPE | MOUNT TYPE | OBSOLETE | ALTERNATE PUMP NUMBER | PART KEY | 1 | 2 | 3 | 4 |
| | | | | | | | KIT NUMBER | GASKET/ O-RING | IMPELLER | WATER SEAL | END COVER SCREWS |
| 18400-0050 | USA | 40 | 3/4" NPT | Flange | | | 90033-0001 | 5212-0000 | 1210-0001 | 92700-0060 | 91002-0020 |
| 18760-0001 | USA | 200 | | | | | 90190-0001 | 17365-1000 | 17370-0001 | 96080-0371 | 91005-0040 |
| 18760-0002 | USA | 200 | | | | | 90190-0001 | 17365-1000 | 17370-0001 | 96080-0371 | 91005-0040 |
| 18760-0003 | USA | 200 | | | | | 90190-0001 | 17365-1000 | 17370-0001 | 96080-0371 | 91005-0040 |
| 18760-0004 | USA | 200 | | | | | 90190-0001 | 17365-1000 | 17370-0001 | 96080-0371 | 91005-0040 |
| 18760-0013 | USA | 200 | | | • | | 90190-0001 | 17365-1000 | 17370-0001 | 96080-0371 | 91005-0040 |
| 18760-3000 | USA | 200 | | | | | 90190-0001 | 17365-1000 | 17370-0001 | 96080-0371 | 91005-0040 |
| 18770-0003 | USA | 370 | 2-1/2" Flanged | Flange | | | – | 18753-0434 | 18789-0001 | 96080-0371 | 18753-0495 |
| 18770-0004 | USA | 370 | 2-1/2" Flanged | Flange | | | – | 18753-0434 | 18789-0001 | 96080-0371 | 18753-0495 |
| 18770-0005 | USA | 370 | 2-1/2" Flanged | Flange | • | | – | 18753-0434 | 18789-0001 | 96080-0371 | 18753-0495 |
| 18780-0000 | USA | 370 | 2" Flanged | Flange | • | | – | – | – | – | – |
| 18780-0001 | USA | 370 | 2" Flanged | Flange | | | – | 18753-0434 | 18786-0001 | 96080-0371 | 18753-0495 |
| 18780-0003 | USA | 370 | 2" Flanged | Flange | | | – | 18753-0434 | 18786-0001 | 96080-0371 | 18753-0495 |
| 18780-0013 | USA | 370 | 2" Flanged | Flange | | | – | 18753-0434 | 18786-0001 | 96080-0371 | 18753-0495 |
| 18790-0001 | USA | 370 | 2" Flanged | Flange | | | – | 92000-1358 | 18786-0001 | 96080-0371 | 18753-0495 |
| 18825-0010 | USA | 80 | 1-1/2" Hose | Flange | • | | 90171-0001 | 18753-0005 | 17937-0001 | 96080-0080 | 18753-0001 |
| 18830-0000 | USA | 40 | 1" Hose | Flange | | | 90180-0001 | 18753-0005 | 1210-0001 | 96080-0080 | 18753-0001 |
| 18830-0010 | USA | 40 | 1" Hose | Flange | | | 90180-0001 | 18753-0005 | 1210-0001 | 96080-0080 | 18753-0001 |
| 18830-1020 | USA | 40 | 1" Hose | Flange | | | – | 18753-0005 | 3085-0001 | 96080-0080 | 18753-0001 |
| 18840-0010 | USA | 40 | 1" Hose | Flange | | | 90180-0001 | 18753-0005 | 1210-0001 | 96080-0080 | 18753-0001 |
| 18840-1010 | USA | 40 | 1" Hose | Flange | | | – | 18753-0005 | 3085-0001 | 96080-0080 | 18753-0010 |
| 18930-0000 | USA | 80 | 1-1/4" Hose | Flange | | | 90184-0001 | 18753-0005 | 11979-0001 | 96080-0080 | 18753-0001 |
| 18930-0010 | USA | 80 | 1-1/4" Hose | Flange | | | 90184-0001 | 18753-0005 | 11979-0001 | 96080-0080 | 18753-0001 |
| 18930-0020 | USA | 80 | 1-1/4" Hose | Flange | | | 90184-0001 | 18753-0005 | 11979-0001 | 96080-0080 | 18753-0001 |
| 18940-0010 | USA | 80 | 1-1/4" Hose | Flange | | | 90184-0001 | 18753-0005 | 11979-0001 | 96080-0080 | 18753-0010 |
| 21080-200 | UK | 40 | 1/2" BSP | Foot | • | Bilge | SK330 | 11415 | 1210-0001 | SP2701-21 | SP1003-11 |
| 21080-200 | UK | 80 | 1" Flanged | Foot | | Cooling | SK330 | 890 | 17937-0001 | SP2701-21 | SP1003-08 |
| 21080-204 | UK | 40 | 3/4" BSP | Foot | • | Bilge | SK330 | 11415 | 1210-0001 | SP2701-21 | SP1003-11 |
| 21080-204 | UK | 80 | 1" BSP | Foot | | Cooling | SK330 | 890 | 17937-0001 | SP2701-21 | SP1003-08 |
| 21090-200 | UK | 40 | 3/4" BSP | Flange | • | 21090-204 | SK239 | 3298 | 1210-0001 | 22626-0000 | SP1002-02 |
| 21090-204 | UK | 40 | 3/4" BSP | Flange | • | | SK230 | 816 | 836-0001 | 21849 | SP1005-04 |
| 21100 | UK | 80 | 1" BSP | Foot | • | | SK288 | 890 | 17937-0001 | 22626-0000 | SP1003-09 |
| 21130-200 | UK | 10 | 3/8" BSP | Flange | • | 21130-2101 | SK304 | 21117 | 4528-0001 | SP2701-04 | SP1002-03 |
| 21130-200 | UK | 10 | 3/8" BSP | Flange | • | 21130-2101 | SK304 | 21117 | 4528-0001 | SP2701-04 | SP1002-17 |
| 21130-2101 | UK | 10 | 3/8" BSP | Flange | • | Bilge | SK304 | 21117 | 4528-0001 | SP2701-04 | SP1002-03 |
| 21130-2101 | UK | 10 | 3/8" BSP | Flange | | Cooling | SK304 | 21117 | 4528-0001 | SP2701-04 | SP1002-17 |

| | GENERAL PARTS LISTING | | | | | | | | | |
|--|-----------------------|------------|-------------------|------------------|--------------------|-------------------|-------------|------------|----------------|-------------|
| | 5 | 6 | 7 | 8 | 9 | 10 | 11 | 12 | 13 | 14 |
| | CAM | CAM SCREW | PUMP END OIL SEAL | PUMP END BEARING | DRIVE END OIL SEAL | DRIVE END BEARING | SHAFT | WEARPLATE | END COVER | BODY |
| | 5211-0000 | 91003-0090 | 92700-0060 | 92600-0130 | – | 92600-0130 | 18404-0000 | 5211-0000 | 11830-0000 | – |
| | 17374-1000 | – | 92700-0180 | 18752-0000 | – | 18752-0000 | 17366-1000 | 17372-1000 | 17378-1000 | Proprietary |
| | 17374-1000 | – | 92700-0180 | 18752-0000 | – | 18752-0000 | 17366-1000 | 17372-1000 | 17378-1000 | Proprietary |
| | 17374-1000 | – | 92700-0180 | 18752-0000 | – | 18752-0000 | 17366-1000 | 17372-1000 | 17378-1000 | Proprietary |
| | 17374-1000 | – | 92700-0180 | 18752-0000 | – | 18752-0000 | 17366-1000 | 17372-1000 | 17378-1000 | Proprietary |
| | 17374-1000 | – | 92700-0180 | 18752-0000 | – | 18752-0000 | 17366-1000 | 17372-1000 | 17378-1000 | Proprietary |
| | 17374-1000 | – | 92700-0180 | 18752-0000 | – | 18752-0000 | 17366-1000 | 17372-1000 | 17378-1000 | Proprietary |
| | 18785-0000 | – | 92701-0180 | 18753-0527 | – | 18753-0526 | 18753-0525 | 18787-0000 | 18784-1000 | 18773-0000 |
| | 18785-0000 | – | 92701-0180 | 18753-0527 | – | 18753-0526 | 18753-0525 | 18787-0000 | 18784-1000 | 18773-0000 |
| | 18785-0000 | – | 92701-0180 | 18753-0527 | – | 18753-0526 | 18753-0525 | 18787-0000 | 18784-1000 | 18773-0000 |
| | – | – | – | – | – | – | – | – | – | – |
| | 18785-0000 | – | 92701-0180 | 18752-0000 | – | 18752-0000 | Proprietary | 18787-0000 | 18784-1000 | Proprietary |
| | 18785-0000 | – | 92701-0180 | 18752-0000 | – | 18752-0000 | Proprietary | 18787-0000 | 18784-1000 | Proprietary |
| | 18785-0000 | – | 92701-0180 | 18752-0000 | – | 18752-0000 | Proprietary | 18787-0000 | 18784-1000 | Proprietary |
| | 18785-0000 | – | 92701-0180 | 18752-0000 | – | 18752-0000 | Proprietary | 18787-0000 | 18784-1000 | Proprietary |
| | 18829-1000 | 91004-0090 | – | 92600-0120 | – | 92600-0120 | 18827-1000 | – | – | 18826-1000 |
| | 490-0001 | 91003-0010 | – | 92600-0120 | – | 92600-0120 | 18836-1000 | – | – | 18834-1000 |
| | 490-0001 | 91003-0010 | – | 92600-0120 | – | 92600-0120 | 18836-1000 | – | – | 18834-1000 |
| | 490-0001 | 91003-0010 | – | 92600-0120 | – | 92600-0120 | 18836-1000 | – | – | 18834-1000 |
| | 490-0001 | 91003-0010 | – | 92600-0120 | – | 92600-0120 | 18836-1000 | – | – | 18834-1000 |
| | 490-0001 | 91003-0010 | – | 92600-0120 | – | 92600-0120 | 18836-1000 | – | – | 18834-1000 |
| | 10182-0000 | 91004-0090 | – | 92600-0120 | – | 92600-0120 | 18836-1000 | – | – | 18944-1000 |
| | 10182-0000 | 91004-0090 | – | 92600-0120 | – | 92600-0120 | 18836-1000 | – | – | 18944-1000 |
| | 10182-0000 | 91004-0090 | – | 92600-0120 | – | 92600-0120 | 18836-1000 | – | – | 18944-1000 |
| | 10182-0000 | 91004-0090 | – | 92600-0120 | – | 92600-0120 | 18836-1000 | – | – | 18944-1000 |
| | Assy 7884 | SP1003-01 | – | – | – | – | – | Assy 7884 | – | 11414-200 |
| | 934-0000 | SP1004-09 | SP2700-48 | – | SP2700-47 | SP2600-06 | 21087 | 4156 | 11416 (Div Pl) | 6424-221 |
| | Assy 7884 | SP1003-01 | – | – | – | – | – | Assy 7884 | – | 11414-200 |
| | 3225 | SP1004-10 | SP2700-48 | – | SP2700-47 | SP2600-06 | 21087 | 4156 | 11416 (Div Pl) | 6424-221 |
| | 490 | SP1003-01 | – | – | – | – | – | 7883 | 3993 | 10974-200 |
| | 10336 | SP1003-09 | – | – | – | – | 21098 | 7883 | 3993 | 10974-200 |
| | 21167 | SP1004-09 | SP2701-21 | SP2601-10 | – | SP2601-10 | 11127-02 | 21168 | 3993 | 10329-02 |
| | AL8 | SP1002-02 | – | – | – | – | – | – | – | 21113-200 |
| | AL8 | SP1002-09 | – | – | – | – | 21133 | – | 21116 (Div Pl) | 11264-201 |
| | AL8 | SP1002-02 | – | – | – | – | – | – | – | 11264-2110 |
| | AL8 | SP1002-01 | – | – | – | – | 21133 | – | 21116 (Div Pl) | 21113-200 |

13 Service Parts

FLEXIBLE IMPELLER PUMP SPARES BY PUMP MODEL



| JABSCO PUMP DETAILS | | | | | | | SERVICE KIT LISTING | | | | |
|---------------------------|------------|--------------|----------------|---------------|----------|-----------------------------|---------------------|-------------------|------------|-------------|---------------------|
| MODEL NUMBER *OEM ONLY | UK/ USA | PUMP SIZE | PORT TYPE | MOUNT TYPE | OBSOLETE | ALTERNATE PUMP NUMBER | PART KEY | 1 | 2 | 3 | 4 |
| | | | | | | | KIT NUMBER | GASKET/ O-RING | IMPELLER | WATER SEAL | END COVER SCREWS |
| 21140-200 | UK | 80 | 1" BSP | Flange | • | 21140-2401 | SK229 | 890 | 17937-0001 | 22617-0010 | SP1003-09 |
| 21140-201 | UK | 80 | 1" BSP | Flange | • | 21140-2401 | SK229 | 890 | 17937-0001 | 22617-0010 | SP1003-09 |
| 21140-204 | UK | 80 | 1" BSP | Flange | • | 21140-2401 | SK229 | 890 | 17937-0001 | 22617-0010 | SP1003-09 |
| 21140-2101 | UK | 80 | 1" BSP | Flange | • | 21140-2601 | SK229 | 890 | 17937-0001 | 22617-0010 | SP1003-09 |
| 21140-2141 | UK | 80 | 1" BSP | Flange | • | 21140-2601 | SK229 | 890 | 17937-0001 | 22617-0010 | SP1003-09 |
| 21140-2201 | UK | 80 | 1" BSP | Flange | • | 21140-2601 | SK229 | 890 | 17937-0001 | 22617-0010 | SP1003-09 |
| 21140-2241 | UK | 80 | 1" BSP | Flange | • | 21140-2601 | SK229 | 890 | 17937-0001 | 22617-0010 | SP1003-09 |
| 21140-2308 | UK | 80 | 1" BSP | Flange | • | | SK229-0008 | 890 | 920-0008 | 22617-0010 | SP1003-09 |
| 21140-2401 | UK | 80 | 1" BSP | Flange | | | SK423-0001 | 890 | 920-0001 | 22617-0010 | SP1003-09 |
| 21140-2441 | UK | 80 | 1" BSP | Flange | • | | SK229 | 890 | 17937-0001 | 22617-0010 | SP1003-09 |
| 21140-2601 | UK | 80 | 1" BSP | Flange | | | SK423-0001 | 890 | 920-0001 | 22617-0010 | SP1003-09 |
| 21140-2641 | UK | 80 | 1" BSP | Flange | • | | SK229 | 890 | 17937-0001 | 22617-0010 | SP1003-09 |
| 21140-2701 | UK | 80 | 1" BSP | Flange | • | | SK229 | 890 | 17937-0001 | 22617-0010 | SP1003-09 |
| 21180 | UK | 200 | 1-1/4" Flanged | Flange | • | | SK293-01 | 816 | 836-0001 | 21849 | SP1005-04 |
| 21180-05 | UK | 200 | 1-1/4" Flanged | Flange | • | | SK293-01 | 816 | 836-0001 | 21849 | SP1005-04 |
| 21190-200 | UK | 20 | 3/8" BSP | Foot | • | Bilge | SK327 | 11476 | 673-0001 | SP2701-21 | SP1002-06 |
| 21190-200 | UK | 40 | 1/2" BSP | Foot | | Cooling | SK327 | 11475 | 1210-0001 | SP2701-21 | SP1002-03 |
| 21580-200 | UK | 80 | 1" BSP | Flange | • | | SK229 | 890 | 17937-0001 | 22626-0000 | SP1003-09 |
| 21680-05 | UK | 80 | 1-1/4" NPT | Foot | • | | SK315-0101 | 816 | 17935-0001 | 21849 | SP1005-04 |
| 21690 | UK | 40 | Ø 20 Hose | Flange | • | | SK239 | 3298 | 1210-0001 | 22626-0000 | SP1002-02 |
| 21690-05 | UK | 40 | Ø 20 Hose | Flange | • | | SK239 | 3298 | 1210-0001 | 22626-0000 | SP1002-02 |
| 21690-200 | UK | 40 | 3/4" BSP | Flange | • | | SK239 | 3298 | 1210-0001 | 22626-0000 | SP1002-02 |
| 21770 | UK | 40 | Ø 32 Hose | Flange | • | | SK309 | 4908 | 4568-0001 | SP2701-01 | SP1003-09 |
| 21780 | UK | 200 | 1-1/4" BSP | Foot | • | | SK230 | 816 | 836-0001 | 21849 | SP1005-04 |
| 21810 | UK | 200 | 1-1/4" BSP | Foot | • | | SK310 | 890 | 17018-0001 | 22617-0000 | SP1003-09 |
| 21810-01 | UK | 200 | 1-1/4" BSP | Foot | • | | SK230 | 816 | 836-0001 | 21849 | SP1005-04 |
| 21820-200 | UK | 40 | 1/2" BSP | Foot | • | 52040-2001 | SK33 | 3298 | 1210-0001 | SP2701-21 | SP1002-02 |
| 21820-2001 | UK | 40 | 3/4" BSP | Foot | • | 52040-2001 | SK33 | 3298 | 1210-0001 | SP2701-21 | SP1002-02 |
| 21820-2003 | UK | 40 | 3/4" BSP | Foot | • | 52040-2003 | SK384-0003 | 3298 | 1210-0003 | SP2700-1027 | SP1002-02 |
| 21820-2021 | UK | 40 | 3/4" BSP | Foot | • | 52040-2021 | SK384-2021 | 3298 | 3085-0001 | SP2700-1027 | SP1002-02 |
| 21820-205 | UK | 40 | 1/2" BSP | Foot | • | | SK33 | 3298 | 1210-0001 | SP2701-21 | SP1002-02 |
| 21880-200 | UK | 80 | 1" BSP | Foot | • | Bilge | SK300 | 11746 | 17937-0001 | 21849 | SP1005-03 |
| 21880-200 | UK | 200 | 1-1/4" BSP | Foot | | Cooling | SK300 | 816 | 836-0001 | 21849 | SP1005-03 |
| 21880-205 | UK | 80 | 1" BSP | Foot | • | Bilge | SK300 | 11746 | 17937-0001 | 21849 | SP1005-03 |
| 21880-205 | UK | 200 | 1-1/4" BSP | Foot | | Cooling | SK300 | 816 | 836-0001 | 21849 | SP1005-03 |

| GENERAL PARTS LISTING | | | | | | | | | | |
|-----------------------|-----------|-------------------|------------------|--------------------|-------------------|------------|-----------|----------------|------------|-------|
| 5 | 6 | 7 | 8 | 9 | 10 | 11 | 12 | 13 | 14 | |
| CAM | CAM SCREW | PUMP END OIL SEAL | PUMP END BEARING | DRIVE END OIL SEAL | DRIVE END BEARING | SHAFT | WEARPLATE | END COVER | BODY | |
| 934-0000 | SP1004-09 | SP2701-21 | SP2601-39 | – | – | 10957-01 | 4156 | 3993 | 10329-200 | |
| 934-0000 | SP1004-09 | SP2701-21 | SP2601-39 | – | – | 10957-01 | 4156 | 3993 | 10329-200 | |
| 3255 | SP1004-11 | SP2701-21 | SP2601-39 | – | – | 10957-01 | 4156 | 3993 | 10329-200 | |
| 934-0000 | SP1004-09 | SP2701-21 | SP2601-39 | – | – | 22927-0010 | 4156 | 3993 | 10329-200 | |
| 3255 | SP1004-11 | SP2701-21 | SP2600-01 | – | SP2600-01 | 22927-0010 | 4156 | 3993 | 10329-200 | |
| 934-0000 | SP1004-09 | SP2701-21 | SP2601-01 | – | – | 22927-0010 | 4156 | 3993 | 10329-200 | |
| 3255 | SP1004-11 | SP2701-21 | SP2600-01 | – | SP2600-01 | 22927-0010 | 4156 | 3993 | 10329-200 | |
| 934-0000 | SP1004-09 | SP2701-21 | SP2601-39 | – | – | 10957-01 | 4156 | 3993 | 10329-200 | |
| 934-0000 | SP1004-09 | SP2701-21 | SP2601-01 | – | – | 23377-0010 | 4156 | 3993 | 10329-200 | |
| 3255 | SP1004-11 | SP2701-21 | SP2601-39 | – | – | 23377-0010 | 4156 | 3993 | 10329-200 | |
| 934-0000 | SP1004-09 | SP2701-21 | SP2601-01 | – | – | 23377-0010 | 4156 | 3993 | 10329-200 | |
| 3255 | SP1004-11 | SP2701-21 | SP2601-01 | – | – | 23377-0010 | 4156 | 3993 | 10329-200 | |
| 934-0000 | SP1004-09 | SP2701-21 | SP2601-01 | – | – | 23377-0010 | 4156 | 3993 | 10329-200 | |
| 834 | SP1005-04 | SP2701-51 | SP2601-30 | – | SP2601-30 | 21186 | 2574 | 9336 | 21183 | |
| 2551 | SP1005-05 | SP2701-51 | SP2601-30 | – | SP2601-30 | 21186 | 2574 | 9336 | 21183 | |
| 2907 | SP1002-09 | – | – | – | – | – | – | – | – | 11474 |
| Assy 7884 | SP1003-01 | SP2701-21 | – | – | SP2600-07 | 21197 | Assy 7884 | 11748 (Div PI) | 3274-221 | |
| 934-0000 | SP1004-09 | SP2701-39 | SP2601-39 | – | SP2601-39 | 21587 | 4156 | 3993 | 10329-200 | |
| 2551 | SP1005-05 | SP2700-50 | – | SP2700-49 | SP2600-04 | 9527 | 2574 | 9336 | 21684 | |
| 490 | SP1003-01 | SP2701-21 | SP2601-44 | – | SP2601-44 | 21698 | 7883 | 3992 | 21699 | |
| 10336 | SP1003-09 | SP2701-21 | SP2601-44 | – | SP2601-44 | 21698 | 7883 | 3992 | 21699 | |
| 490 | SP1003-01 | SP2701-21 | SP2601-44 | – | SP2601-44 | 21698 | 9496 | 21695-200 | 16554-200 | |
| 490 | SP1003-07 | – | – | SP2701-01 | – | 21777 | 7883 | 21775 | 21774 | |
| 21789 | SP1004-09 | SP2700-50 | – | SP2700-49 | SP2600-04 | 21788 | 4156 | 3993 | 21784 | |
| 834 | SP1005-04 | SP2700-50 | SP2600-18 | – | – | 21238 | 2574 | 9336 | 10584-11 | |
| 834 | SP1005-04 | SP2700-50 | SP2600-18 | – | – | 21238 | 2574 | 9336 | 10584-11 | |
| 490 | SP1003-01 | SP2701-21 | – | SP2701-15 | SP2600-07 | 21826 | 7883 | 3992 | 21824-200 | |
| 490 | SP1003-01 | SP2701-21 | – | SP2701-15 | SP2600-07 | 21826 | 7883 | 3992 | 21824-2100 | |
| 490 | SP1003-01 | – | – | SP2701-15 | SP2600-07 | 21826 | 7883 | 3992 | 21824-2100 | |
| 490 | SP1003-01 | – | – | SP2701-15 | SP2600-07 | 21826 | 7883 | 3992 | 21824-2100 | |
| 10336 | SP1003-09 | SP2701-21 | – | SP2701-15 | SP2600-07 | 21826 | 7883 | 3992ab | 21824-200 | |
| 934-0000 | SP1004-09 | – | – | – | – | – | 4156 | – | 6404-200 | |
| 834 | SP1005-04 | SP2700-50 | – | SP2700-49 | SP2700-04 | 21887 | 2574 | 11745 (Div PI) | 6404-200 | |
| 2551 | SP1005-05 | – | – | – | – | – | 2574 | – | 11744-200 | |
| 934-0000 | SP1004-09 | SP2700-50 | – | SP2700-49 | SP2700-04 | 21887 | 4156 | 11745 (Div PI) | 6404-200 | |

13 Service Parts

FLEXIBLE IMPELLER PUMP SPARES BY PUMP MODEL



| JABSCO PUMP DETAILS | | | | | | | SERVICE KIT LISTING | | | | |
|---------------------------|------------|--------------|-------------|---------------|----------|-----------------------------|---------------------|-------------------|------------|------------|---------------------|
| MODEL NUMBER *OEM ONLY | UK/ USA | PUMP SIZE | PORT TYPE | MOUNT TYPE | OBSOLETE | ALTERNATE PUMP NUMBER | PART KEY | 1 | 2 | 3 | 4 |
| | | | | | | | KIT NUMBER | GASKET/ O-RING | IMPELLER | WATER SEAL | END COVER SCREWS |
| 21890 | UK | 120 | 1-1/2" BSP | Flange | • | 10880-2611 | SK310 | 890 | 17018-0001 | 22617-0000 | SP1003-09 |
| 21960-200 | UK | 80 | 1" BSP | Foot | • | 50080-2001 | SK229 | 890 | 17937-0001 | 22617-0010 | SP1003-09 |
| 21960-210 | UK | 80 | 1" BSP | Foot | • | 50080-2101 | SK229 | 890 | 17937-0001 | 22617-0010 | SP1003-09 |
| 21960-211 | UK | 80 | 1" BSP | Foot | • | 50080-2201 | SK229 | 890 | 17937-0001 | 22617-0010 | SP1003-09 |
| 21960-221 | UK | 80 | 1" BSP | Foot | • | 50080-2301 | SK229 | 890 | 17937-0001 | 22617-0010 | SP1003-09 |
| 21980 | UK | 200 | 1-1/4" BSP | Foot | • | | SK317 | 816 | 836-0001 | 21849 | SP1005-04 |
| 21990 | UK | 270 | 2" Flanged | Foot | • | | SK254 | 816 | 21676-0001 | 21849 | SP1005-04 |
| 22040-01 | UK | 270 | 2" Flanged | Flange | • | | | 4009 | 17936-0001 | 21849 | SP1005-04 |
| 22040-0131 | UK | 270 | 2" Flanged | Flange | • | 22040-0501 | SK318 | 816 | 17936-0001 | 21849 | SP1005-04 |
| 22040-0501 | UK | 270 | 2" Flanged | Flange | | | SK318 | 816 | 17936-0001 | 21849 | SP1005-04 |
| 22040-0531 | UK | 270 | 2" Flanged | Flange | • | | SK318 | 816 | 17936-0001 | 21849 | SP1005-04 |
| 22110-0201 | USA | 60 | 1-1/4" Hose | Crank | • | | – | 18753-0656 | 22120-0001 | 96080-0080 | 18753-0657 |
| 22110-0251 | USA | 60 | 1-1/4" Hose | Crank | • | | – | 18753-0656 | 22120-0001 | 96080-0080 | 18753-0657 |
| 22110-0301 | USA | 60 | 1-1/4" Hose | Crank | | | – | 18753-0656 | 22120-0001 | 96080-0080 | 18753-0657 |
| 22110-0351 | USA | 60 | 1-1/4" Hose | Crank | • | | – | 18753-0656 | 22120-0001 | 96080-0080 | 18753-0657 |
| 22220-2001 | UK | 60 | 1" BSP | Flange | • | | SK334 | 3298 | 22120-0001 | 22626-0000 | SP8019-01 |
| 22220-241 | UK | 60 | 1" BSP | Flange | | | SK334 | 3298 | 22120-0001 | 22617-0010 | SP1002-01 |
| 22230-200 | UK | 10 | 1/4" BSP | Flange | • | Salt Water | SK332 | 21117 | 4528-0001 | SP2701-09 | SP1107-05 |
| 22230-200 | UK | 10 | 1/4" BSP | Flange | | Fresh Water | SK332 | 21117 | 4528-0001 | SP2701-09 | SP1107-05 |
| 22240 | UK | 20 | Ø 16 Hose | Flange | • | Salt Water | SK333 | 9408 | 673-0001 | SP2701-09 | SP1107-05 |
| 22240 | UK | 20 | Ø 16 Hose | Flange | | Fresh Water | SK333 | 9408 | 673-0001 | SP2701-09 | SP1107-05 |
| 22300-05 | UK | 60 | Ø 32 Hose | Crank | • | 22740-0351 | SK331-05 | 3298 | 22120-0001 | SP6080-08 | SP8019-01 |
| 22350-200 | UK | 10 | 1/4" BSP | Flange | • | Salt Water | SK336 | 1126 | 4528-0001 | SP2701-09 | X3075-062G |
| 22350-200 | UK | 10 | 1/4" BSP | Flange | | Fresh Water | SK336 | 1126 | 4528-0001 | SP2701-09 | X3075-062G |
| 22360 | UK | 20 | Ø 16 Hose | N/A | • | Salt Water | SK337 | 10817 | 673-0001 | SP2701-04 | X3075-062G |
| 22360 | UK | 20 | Ø 16 Hose | Flange | | Fresh Water | SK337 | 10817 | 673-0001 | SP2701-04 | X3075-062G |
| 22400-0201 | USA | 60 | | | • | | – | 18753-0656 | 22120-0001 | – | 18753-0657 |
| 22400-0251 | USA | 60 | | | | | – | 18753-0656 | 22120-0001 | – | 18753-0657 |
| 22400-0301 | USA | 60 | | | • | | – | – | – | – | – |
| 22410-204 | UK | 80 | 1" BSP | Flange | • | | SK236 | 890 | 17937-0001 | SP2701-21 | SP1003-09 |
| 22620 | UK | 20 | Ø 25 Hose | Crank | • | 29440-1101 | SK346 | 1985-01 | 673-0001 | SP6080-08 | SP1004-09 |
| 22690-200 | UK | 80 | 1" BSP | Foot | • | Salt Water | SK344 | 11746 | 17937-0001 | 21849 | SP1005-03 |
| 22690-200 | UK | 270 | 2" BSP | Foot | | Fresh Water | SK344 | 816 | 21676-0001 | 21849 | SP1005-03 |

| GENERAL PARTS LISTING | | | | | | | | | | |
|-----------------------|-----------|-------------------|------------------|--------------------|-------------------|------------|-----------|----------------|-----------|--|
| 5 | 6 | 7 | 8 | 9 | 10 | 11 | 12 | 13 | 14 | |
| CAM | CAM SCREW | PUMP END OIL SEAL | PUMP END BEARING | DRIVE END OIL SEAL | DRIVE END BEARING | SHAFT | WEARPLATE | END COVER | BODY | |
| 2551 | SP1005-05 | – | – | – | – | – | 2574 | 3993 | 10329-200 | |
| 934-0000 | SP1004-09 | SP2700-48 | SP2601-42 | SP2701-87 | – | 21966 | 4156 | 3933 | 10329-200 | |
| 934-0000 | SP1004-09 | SP2700-48 | SP2601-42 | SP2701-87 | – | 21966 | 4156 | 3933 | 10329-200 | |
| 934-0000 | SP1004-09 | SP2700-48 | SP2601-42 | SP2701-87 | – | 21966 | 4156 | 3933 | 10329-200 | |
| 934-0000 | SP1004-09 | SP2700-48 | SP2601-42 | SP2701-87 | – | 21966 | 4156 | 3933 | 10329-200 | |
| 834 | SP1005-04 | SP2701-86 | SP2601-37 | – | SP2601-37 | 21997 | 2574 | 9336 | 10634 | |
| 6988 | SP1005-04 | SP2701-86 | SP2601-37 | – | SP2601-37 | 21997-01 | 2574 | 9336 | 10494 | |
| 6988 | SP1005-04 | SP2700-50 | – | – | SP2600-32 | – | 2574 | 9336 | 11104-02 | |
| 22039 | SP1005-05 | SP2700-50 | – | – | SP2600-32 | 21239-0010 | 2574 | 9336 | 11104-03 | |
| 6988 | SP1005-04 | SP2700-50 | – | – | SP2600-32 | 21239-0010 | 2574 | 9336 | 11104-03 | |
| 22039 | SP1005-05 | SP2700-50 | – | – | SP2600-32 | 21239-0010 | 2574 | 9336 | 11104-03 | |
| – | – | – | – | – | – | – | – | – | – | |
| – | – | – | – | – | – | – | – | – | 992ab | |
| – | – | – | – | – | – | – | – | – | – | |
| – | – | – | – | – | – | – | – | – | – | |
| 22318 | SP1004-11 | SP2701-21 | SP2600-13 | – | SP2600-13 | 22227-0100 | 7883 | 3992 | 22224 | |
| 22318 | SP1004-11 | SP2701-21 | SP2600-13 | – | SP2600-13 | 22227 | 7883 | 3992 | 22224 | |
| 22216 | SP1002-02 | – | – | – | – | – | – | – | 22234-200 | |
| AL8 | SP1002-09 | – | – | – | – | 22237 | – | 21116 (Div Pl) | 21913-202 | |
| 22217 | SP1002-01 | – | – | – | – | – | – | – | 11474-01 | |
| 10818 | SP1002-02 | – | – | – | – | 22247 | – | 11478 (Div Pl) | 22374 | |
| 22308 | SP1004-10 | – | SP2600-09 | – | – | 22307 | – | 3992 | 22304 | |
| 22216 | SP1002-02 | – | – | – | – | – | – | 22357 | 22234-200 | |
| AL8 | SP1002-09 | SP2701-04 | – | SP2701-04 | – | 22237 | – | 21116 (Div Pl) | 22354-200 | |
| 10818 | SP1002-01 | – | – | – | – | – | – | 22366 | 22364 | |
| 22217 | SP1002-02 | SP2701-04 | – | SP2701-04 | – | 22247 | – | 11478 (Div Pl) | 22374 | |
| – | – | – | – | – | – | – | – | – | – | |
| – | – | – | – | – | – | – | – | – | – | |
| – | – | – | – | – | – | – | – | – | – | |
| 3255 | SP1004-10 | SP2700-48 | – | SP2700-47 | SP2600-06 | 6718-202 | – | 3993 | 22414 | |
| 2907-0001 | SP1002-01 | – | – | – | SP2600-09 | 22627 | – | 9328 | 22624 | |
| 934-0000 | SP1004-09 | – | – | – | – | – | 4156 | 11745 (Div Pl) | 10494 | |
| 6988 | SP1005-04 | SP2701-54 | SP2601-37 | SP2700-49 | SP2601-37 | 11749-01 | 2574 | – | 11744-200 | |

13 Service Parts

FLEXIBLE IMPELLER PUMP SPARES BY PUMP MODEL



| JABSCO PUMP DETAILS | | | | | | | SERVICE KIT LISTING | | | | |
|---------------------------|------------|--------------|------------|---------------|----------|-----------------------------|---------------------|-------------------|------------|-------------|---------------------|
| MODEL NUMBER *OEM ONLY | UK/ USA | PUMP SIZE | PORT TYPE | MOUNT TYPE | OBSOLETE | ALTERNATE PUMP NUMBER | PART KEY | 1 | 2 | 3 | 4 |
| | | | | | | | KIT NUMBER | GASKET/ O-RING | IMPELLER | WATER SEAL | END COVER SCREWS |
| 22740-0151 | UK | 60 | Ø 32 Hose | Crank | • | | SK331-05 | 3298 | 22120-0001 | SP6080-08 | SP8019-01 |
| 22740-0201 | UK | 60 | Ø 32 Hose | Crank | • | | SK331-0251 | 3298 | 22120-0001 | SP2701-21 | SP8019-01 |
| 22740-0251 | UK | 60 | Ø 32 Hose | Crank | • | 22740-0151 | SK331-0251 | 3298 | 22120-0001 | SP2701-21 | SP8019-01 |
| 22740-0301 | UK | 60 | 1" Flanged | Crank | • | 22740-0201 | SK331-05 | 3298 | 22120-0001 | SP2701-21 | SP8019-01 |
| 22740-0351 | UK | 60 | Ø 32 Hose | Crank | • | | SK331-05 | 3298 | 22120-0001 | SP2701-21 | SP8019-01 |
| 22740-0451 | UK | 60 | Ø 32 Hose | Crank | | | | 3298 | 22120-0001 | SP2701-21 | SP1002-01 |
| 22750-05 | UK | 60 | Ø 32 Hose | Crank | • | 22750-1101 | SK331-05 | 3298 | 22120-0001 | SP2701-21 | SP8019-01 |
| 22750-1101 | UK | 60 | Ø 32 Hose | Crank | • | | SK331-05 | 3298 | 22120-0001 | SP2701-21 | SP8019-01 |
| 22750-1151 | UK | 60 | Ø 32 Hose | Crank | • | | SK331-05 | 3298 | 22120-0001 | SP2701-21 | SP8019-01 |
| 22770 | UK | 20 | Ø 25 Hose | Crank | • | 29440-1001 | SK346 | 1985-01 | 673-0001 | SP2701-21 | SP1004-09 |
| 22770-1051 | UK | 60 | Ø 25 Hose | Crank | • | 29440-1051 | SK346 | 1985-01 | 673-0001 | SP2701-21 | SP1004-09 |
| 22770-1101 | UK | 20 | Ø 25 Hose | Crank | • | 29440-1101 | SK346 | 1985-01 | 673-0001 | SP2701-21 | SP1004-09 |
| 22790-1001 | UK | 40 | 3/8" BSP | Flange | • | Salt Water | SK350 | X4020-254A | 22799-0001 | SP2701-04 | X3075-061G |
| 22790-1001 | UK | 40 | 3/8" BSP | Flange | | Fresh Water | SK350 | 22798 | 22799-0001 | SP2701-04 | X3075-061G |
| 22820-2051 | UK | 10 | 3/8" BSP | Flange | • | | SK23 | 1189 | 4528-0001 | SP2701-1462 | SP1002-01 |
| 22820-2101 | UK | 10 | 3/8" BSP | Flange | • | | SK23 | 1189 | 4528-0001 | SP2701-14 | SP1002-01 |
| 22830-2001 | UK | 10 | 3/8" BSP | Flange | • | | SK23 | 1189 | 4528-0001 | SP2701-14 | SP1002-01 |
| 22830-2051 | UK | 10 | 3/8" BSP | Flange | • | | SK23 | 1189 | 4528-0001 | SP2701-14 | SP1002-01 |
| 22830-2101 | UK | 10 | 3/8" BSP | Flange | • | | SK23 | 1189 | 4528-0001 | SP2701-14 | SP1002-01 |
| 22830-2151 | UK | 10 | 3/8" BSP | Flange | • | | SK23 | 1189 | 4528-0001 | SP2701-14 | SP1002-01 |
| 22830-2201 | UK | 10 | 3/8" BSP | Flange | | | SK23 | 1189 | 4528-0001 | SP2701-14 | SP1002-01 |
| 22830-2301 | UK | 10 | 3/8" BSP | Flange | • | | SK23 | 1189 | 4528-0001 | SP2701-14 | SP1002-01 |
| 22940-2001 | UK | 10 | 3/8" BSP | Foot | • | 52010-2001 | SK23 | 1189 | 4528-0001 | SP2701-14 | SP1002-01 |
| 22940-2051 | UK | 10 | 3/8" BSP | Foot | • | | SK23 | 1189 | 4528-0001 | SP2701-14 | SP1002-01 |
| 22940-2053 | UK | 10 | 3/8" BSP | Foot | • | | SK23-37 | 1189 | 4528-0003 | SP2701-14 | SP1002-01 |
| 22950-2031 | UK | 20 | 3/8" BSP | Foot | • | 52020-2001 | SK20 | 2995-0030 | 673-0001 | SP2700-05 | SP1002-02 |
| 22950-2037 | UK | 20 | 3/8" BSP | Foot | • | 52020-2001 | SK20 | 2995-0030 | 673-0003 | SP2700-05 | SP1002-02 |
| 22960-1001 | UK | 10 | Ø 19 Hose | Foot | • | | SK355 | 21646 | 4528-0001 | SP2701-14 | SP1002-09 |
| 22960-2001 | UK | 10 | Ø 19 Hose | Foot | • | | SK355 | 21646 | 4528-0001 | SP2701-14 | SP1002-09 |
| 23010-0131 | UK | 80 | 1" BSP | Flange | • | Bilge | SK357-0001 | 11746 | 920-0001 | 21849 | SP1005-03 |
| 23010-0131 | UK | 270 | 2" Flange | Flange | | Cooling | SK357-0001 | 816 | 17936-0001 | 21849 | SP1005-03 |
| 23010-0501 | UK | 80 | 1" BSP | Flange | • | Bilge | – | – | – | – | – |
| 23010-0501 | UK | 270 | 2" Flange | Flange | | Cooling | – | – | – | – | – |

| GENERAL PARTS LISTING | | | | | | | | | | |
|-----------------------|-------------|-------------------|------------------|--------------------|-------------------|------------|-----------|----------------|------------|--|
| 5 | 6 | 7 | 8 | 9 | 10 | 11 | 12 | 13 | 14 | |
| CAM | CAM SCREW | PUMP END OIL SEAL | PUMP END BEARING | DRIVE END OIL SEAL | DRIVE END BEARING | SHAFT | WEARPLATE | END COVER | BODY | |
| 22308 | SP1004-10 | – | – | – | SP2600-09 | 22307 | – | 3992 | 22304-01 | |
| 22318 | SP1004-11 | – | – | – | SP2600-09 | 22307 | – | 3992 | 22304-01 | |
| 22308 | SP1004-10 | – | – | – | SP2600-09 | 22307 | – | 3992 | 22304-01 | |
| 22318 | SP1004-11 | – | – | – | SP2600-09 | 22307 | – | 3992 | 22304-01 | |
| 22308 | SP1004-10 | – | – | – | SP2600-09 | 22307 | – | 3992 | 22304-01 | |
| 22308 | SP1004-10 | – | – | – | SP2600-09 | 22307-0100 | – | 3992 | 22304-01 | |
| 22308 | SP1004-10 | – | – | – | SP2600-09 | 22627 | – | 3992 | 22304-02 | |
| 22318 | SP1004-11 | – | – | – | SP2600-09 | 22627 | – | 3992 | 22304-02 | |
| 22308 | SP1004-10 | – | – | – | SP2600-09 | 22627 | – | 3992 | 22304-02 | |
| 2907-0001 | SP1002-01 | – | – | – | SP2600-09 | 22627 | – | 9328 | 22624 | |
| 2441 | SP1002-0152 | – | – | – | SP2600-09 | 22627 | – | 9328 | 22624 | |
| 2907-0001 | SP1002-01 | – | – | – | SP2600-09 | 22627 | – | 9328 | 22624 | |
| 2907-0001 | SP1002-09 | – | – | – | – | – | – | – | 23393 | |
| 22789-0000 | SP1002-09 | – | – | – | – | 22797-01 | – | 22366 | 23393 | |
| 21233 | SP1002-03 | SP2701-14 | Y5052-43 | – | Y5052-43 | 22827 | 2765 | 9566 | 22824-200 | |
| 2763 | SP1002-03 | SP2701-14 | Y5052-43 | – | Y5052-43 | 22827 | 2765 | 9566 | 22824-200 | |
| 2763 | SP1002-03 | SP2700-11 | Y5052-43 | – | Y5052-43 | 22837-0000 | 2765 | 9566 | 22834-200 | |
| 21233 | SP1002-0234 | SP2701-14 | Y5052-43 | – | Y5052-43 | 22827 | 2765 | 9566 | 22834-200 | |
| 2763 | SP1002-03 | SP2701-14 | Y5052-43 | – | Y5052-43 | 22757-0000 | 2765 | 9566 | 22834-200 | |
| 21233 | SP1002-0234 | SP2701-14 | Y5052-43 | – | Y5052-43 | 22757-0000 | 2765 | 9566 | 22834-200 | |
| 2763 | SP1002-03 | SP2701-14 | Y5052-43 | – | Y5052-43 | 22757-0000 | 2765 | 9566 | 22834-2100 | |
| 2763 | SP1002-03 | SP2701-14 | Y5052-43 | – | Y5052-43 | 22757-0100 | 2765 | 9566 | 22834-2200 | |
| 2763 | SP1002-03 | SP2701-14 | Y5052-43 | Y5016-09 | Y5052-43 | 22947-0000 | 2765 | 9566 | 22944-2000 | |
| 21233 | SP1002-0234 | SP2701-14 | Y5052-43 | Y5016-09 | Y5052-43 | 22947-0000 | 2765 | 9566 | 22944-2000 | |
| 21233 | SP1002-0234 | SP2701-14 | Y5052-43 | Y5016-09 | Y5052-43 | 22947-0000 | 2765 | 9566 | 22944-2000 | |
| 10818 | SP1002-09 | SP2700-05 | SP2601-39 | SP2701-15 | SP2601-39 | 22957 | 22806 | 3992 | 22954-2000 | |
| 10818 | SP1002-09 | SP2700-05 | SP2601-39 | SP2701-15 | SP2601-39 | 22957 | 22806 | 3992 | 22954-2000 | |
| AL8 | SP1002-02 | – | – | – | SP2600-0025 | 22967-0000 | – | 21645 | 22964-1000 | |
| AL8 | SP1002-02 | – | – | – | SP2600-0025 | 22967-0000 | – | 21645 | 22964-1000 | |
| 934-0000 | SP1004-09 | – | – | – | – | – | 2574 | – | 11104-03 | |
| 22039 | SP1005-05 | SP2700-51 | – | – | SP2600-32 | 23017-0000 | 4156 | 11745 (Div Pl) | 11744-200 | |
| – | – | – | – | – | – | – | – | – | – | |
| – | – | – | – | – | – | – | – | – | – | |

13 Service Parts

FLEXIBLE IMPELLER PUMP SPARES BY PUMP MODEL



| JABSCO PUMP DETAILS | | | | | | | SERVICE KIT LISTING | | | | |
|---------------------------|------------|--------------|----------------|---------------|----------|-----------------------------|---------------------|-------------------|------------|-------------|---------------------|
| MODEL NUMBER *OEM ONLY | UK/ USA | PUMP SIZE | PORT TYPE | MOUNT TYPE | OBSOLETE | ALTERNATE PUMP NUMBER | PART KEY | 1 | 2 | 3 | 4 |
| | | | | | | | KIT NUMBER | GASKET/ O-RING | IMPELLER | WATER SEAL | END COVER SCREWS |
| 23010-0531 | UK | 80 | 1" BSP | Flange | • | Bilge | SK357-0001 | 11746 | 17937-0001 | 21849 | SP1005-03 |
| 23010-0531 | UK | 270 | 2" Flange | Flange | | Cooling | SK357-0001 | 816 | 17936-0001 | 21849 | SP1005-03 |
| 23020-1101 | UK | 60 | Ø 32 Hose | Crank | | | SK331-05 | 3298 | 22120-0001 | SP6080-08 | SP8019-01 |
| 23050-1031 | UK | 20 | 3/8" BSP | Flange | • | | SK211 | 10817 | 673-0001 | SP2701-04 | SP1002-09 |
| 23060-1101 | UK | 20 | Ø 16 Hose | Crank | • | Bilge | SK360 | 3298 | 673-0001 | SP6080-08 | SP1002-03 |
| 23060-1101 | UK | 60 | Ø 32 Hose | Crank | • | Cooling | SK360 | 9408 | 22120-0001 | SP6080-08 | SP1002-06 |
| 23070-1151 | UK | 60 | Ø 32 Hose | Crank | • | | SK331-05 | 3298 | 22120-0001 | SP6080-08 | SP8019-01 |
| 23080-1151 | UK | 60 | Ø 32 Hose | Flange | • | | SK363-0051 | 3298 | 22120-0001 | 22617-0010 | SP1002-01 |
| 23320-2001 | UK | 80 | 1-1/2" Flanged | Flange | • | | SK229 | 890 | 17937-0001 | 22617-0010 | SP1003-09 |
| 23320-2101 | UK | 80 | 1-1/2" Flanged | Flange | • | New Pipework | SK229 | 890 | 17937-0001 | 22617-0010 | SP1003-09 |
| 23340-1001 | UK | 120 | Ø 45 Hose | Flange | • | | SK310 | 890 | 17018-0001 | 22617-0010 | SP1003-09 |
| 23340-1101 | UK | 120 | Ø 45 Hose | Flange | • | Respecified | SK310 | 890 | 17018-0001 | 22617-0010 | SP1003-09 |
| 23430-1001 | UK | 80 | Ø 32 Hose | Flange | | | SK385-0001 | 890 | 17937-0001 | SP2700-1027 | SP1003-0111 |
| 23430-1031 | UK | 80 | Ø 32 Hose | Flange | • | | SK385-0001 | 890 | 17937-0001 | SP2700-1027 | SP1003-0111 |
| 23430-1041 | UK | 80 | Ø 32 Hose | Flange | • | | SK385-0001 | 890 | 17937-0001 | SP2700-1027 | SP1003-0111 |
| 23430-1051 | UK | 80 | Ø 32 Hose | Flange | • | | SK385-0001 | 890 | 17937-0001 | SP2700-1027 | SP1003-0111 |
| 23430-1201 | UK | 80 | Ø 32 Hose | Flange | | | SK385-0001 | 890 | 17937-0001 | SP2700-1027 | SP1003-0111 |
| 23430-1241 | UK | 80 | Ø 32 Hose | Flange | • | | SK385-0001 | 890 | 17937-0001 | SP2700-1027 | SP1003-0111 |
| 23430-1251 | UK | 80 | Ø 32 Hose | Flange | • | | SK385-0001 | 890 | 17937-0001 | SP2700-1027 | SP1003-0111 |
| 23430-1301 | UK | 80 | Ø 32 Hose | Flange | | | SK385-0001 | 890 | 17937-0001 | SP2700-1027 | SP1003-0111 |
| 23430-1401 | UK | 80 | Ø 32 Hose | Flange | | | SK385-0001 | 890 | 17937-0001 | SP2700-1027 | SP1003-0111 |
| 23430-1441 | UK | 80 | Ø 32 Hose | Flange | | | SK385-0001 | 890 | 17937-0001 | SP2700-1027 | SP1003-0111 |
| 23430-1501 | UK | 80 | Ø 32 Hose | Flange | • | | SK385-0001 | 890 | 17937-0001 | SP2700-1027 | SP1003-0111 |
| 23430-1601 | UK | 80 | Ø 32 Hose | Flange | | | SK385-0001 | 890 | 17937-0001 | SP2700-1027 | SP1003-0111 |
| 23430-1641 | UK | 80 | Ø 32 Hose | Flange | • | | SK385-0501 | 890 | 920-0001 | SP2700-1027 | SP1003-0111 |
| 23430-1701 | UK | 80 | Ø 32 Hose | Flange | | | SK385-0001 | 890 | 17937-0001 | SP2700-1027 | SP1003-0111 |
| 23480-2001 | UK | 80 | 1" BSP | Foot | • | | SK229 | 890 | 17937-0001 | 22626-0000 | SP1003-09 |
| 23580-100 | UK | 80 | Ø 32 Hose | Crank | • | | – | – | – | – | – |
| 23800-0201 | UK | 60 | Ø 32 Hose | Crank | | 50410-1201 | SK331-0251 | 3298 | 22120-0001 | SP2701-21 | SP8019-01 |
| 23800-0201 | USA | 60 | Ø 32 Hose | Crank | | 50410-1201 | – | 3298-0000 | 22120-0001 | 92700-0060 | 91002-0010 |
| 23800-0251 | UK | 60 | Ø 32 Hose | Crank | • | 50410-1251 | SK331-0251 | 3298 | 22120-0001 | SP2701-21 | SP8019-01 |
| 23800-0251 | USA | 60 | Ø 32 Hose | Crank | • | 50410-1251 | – | 3298-0000 | 22120-0001 | 96080-0080 | 91002-0010 |
| 23800-0301 | USA | 60 | Ø 32 Hose | Crank | | 50410-1301 | – | 3298-0000 | 22120-0001 | 92700-0060 | 91002-0010 |
| 23800-0351 | UK | 60 | Ø 32 Hose | Crank | • | 50410-1351 | SK331-0251 | 3298 | 22120-0001 | SP2701-21 | SP8019-01 |
| 23800-0351 | UK | 60 | Ø 32 Hose | Crank | • | 50410-1401 | – | 3298-0000 | 22120-0001 | 96080-0080 | 91002-0010 |
| 23800-0401 | UK | 60 | Ø 32 Hose | Crank | • | | SK331-0251 | 3298 | 22120-0001 | SP2701-21 | SP8019-01 |
| 29300-2001 | UK | 10 | 3/8" BSP | Flange | • | | SK404-0001 | 29308-0000 | 22405-0001 | SP2701-1006 | X3004-095G |

| GENERAL PARTS LISTING | | | | | | | | | | |
|-----------------------|------------|-------------------|------------------|--------------------|-------------------|------------|------------|----------------|------------|--|
| 5 | 6 | 7 | 8 | 9 | 10 | 11 | 12 | 13 | 14 | |
| CAM | CAM SCREW | PUMP END OIL SEAL | PUMP END BEARING | DRIVE END OIL SEAL | DRIVE END BEARING | SHAFT | WEARPLATE | END COVER | BODY | |
| 834 | SP1004-09 | – | – | – | – | – | 2574 | – | 1104-03 | |
| 22039 | SP1005-05 | SP2700-50 | – | – | SP2600-32 | 23017-0010 | 4156 | 11745 (Div Pl) | 11744-200 | |
| 22318 | SP1004-11 | – | – | – | SP2600-09 | 22307 | – | 3992 | 22304-02 | |
| 10818 | SP1002-02 | – | – | – | – | 23057-0000 | – | 9905 | 11004 | |
| 2907-0001 | SP1002-09 | – | – | – | – | – | – | – | 11474 | |
| 22318 | SP1004-11 | – | SP2600-09 | – | – | 23067-0000 | – | 11478 (Div Pl) | 22304-0030 | |
| 22308 | SP1004-10 | – | SP2600-09 | – | – | 22307 | – | 3992 | 22304-0020 | |
| 22308 | SP1004-10 | SP2701-03 | SP2600-12 | – | SP2600-12 | 23087-0000 | 7883 | 3992 | 23082-8000 | |
| 934-0000 | SP1004-09 | SP2701-21 | SP2601-0448 | – | SP2601-0448 | 23327-9000 | 4156 | 3993 | 11604-2000 | |
| 934-0000 | SP1004-09 | SP2701-21 | SP2601-0448 | – | SP2601-0448 | 23328-9000 | 4156 | 3993 | 11604-2000 | |
| 23341-0000 | SP1004-09 | SP2701-54 | SP2601-41 | – | SP2601-41 | 23347-0000 | 4156 | 3993 | 23344-8000 | |
| 23341-0000 | SP1004-09 | SP2701-54 | SP2601-41 | – | SP2601-41 | 23348-0000 | 4156 | 3993 | 23344-8000 | |
| 934-0000 | SP1004-09 | SP2700-1027 | SP2600-01 | – | SP2600-01 | 23437-0000 | 4256 | 3993 | 23434-1000 | |
| 23436-0000 | SP1004-09 | SP2700-1027 | SP2600-01 | – | SP2600-01 | 23437-0000 | 4256 | 3993 | 23434-1000 | |
| 3255 | SP1004-11 | SP2700-1027 | SP2600-01 | – | SP2600-01 | 23437-0000 | 4256 | 3993 | 23434-1000 | |
| 2431 | SP1004-10 | SP2700-1027 | SP2600-12 | – | SP2600-12 | 23437-0000 | 4156 | 3993 | 23434-1000 | |
| 934-0000 | SP1004-09 | SP2700-1027 | SP2600-12 | – | SP2600-12 | 23477-0000 | 4156 | 3993 | 23434-1000 | |
| 3255 | SP1004-11 | SP2700-1027 | SP2600-12 | – | SP2600-12 | 23477-0000 | 4156 | 3993 | 23434-1000 | |
| 2431 | SP1004-10 | SP2700-1027 | SP2600-12 | – | SP2600-12 | 23477-0000 | 4156 | 3993 | 23434-1000 | |
| 934-0000 | SP1004-09 | SP2700-1027 | SP2600-01 | – | SP2600-01 | 23477-0000 | 4156 | 3993 | 23434-1000 | |
| 934-0000 | SP1004-09 | SP2700-1027 | SP2600-12 | – | SP2600-12 | 23478-0000 | 4156 | 3993 | 23434-1000 | |
| 3255 | SP1004-11 | SP2700-1027 | SP2600-12 | – | SP2600-12 | 23478-0000 | 4156 | 3993 | 23434-1000 | |
| 934-0000 | SP1004-09 | SP2700-1027 | SP2600-12 | – | SP2600-12 | 23478-0000 | 4156 | 3993 | 23434-1000 | |
| 934-0000 | SP1004-09 | SP2700-1027 | SP2600-12 | – | SP2600-12 | 23435-0000 | 4156 | 3993 | 23434-1000 | |
| 934-0000 | SP1004-11 | SP2700-1027 | SP2600-12 | – | SP2600-12 | 23435-0000 | 4156 | 3993 | 23434-1000 | |
| 934-0000 | SP1004-09 | SP2700-1027 | SP2600-12 | – | SP2600-12 | 23437-0000 | 4156 | 3993 | 23434-1100 | |
| 934-0000 | SP1004-09 | SP2701-87 | SP2601-42 | SP2700-48 | – | 21966 | 4156 | 3993 | 10329-200 | |
| – | – | – | – | – | – | – | – | – | – | |
| 22318 | SP1004-11 | – | – | – | SP2601-0461 | 22307 | – | 3992 | 22304-01 | |
| 18753-0090 | 91004-0110 | – | – | – | – | – | – | 11830-0000 | – | |
| 22308 | SP1004-10 | – | – | – | SP2601-0461 | 22307 | – | 3992 | 22304-01 | |
| 22308-0000 | 91004-0100 | – | – | – | – | – | – | 11830-0000 | – | |
| 18753-0090 | 91004-0110 | – | – | – | – | – | – | 11830-0000 | – | |
| 22308 | SP1004-10 | – | – | – | SP2601-0461 | 22307 | – | 3992 | 22304-01 | |
| 22308-0000 | 91004-0100 | – | – | – | – | – | – | 11830-0000 | – | |
| 22318 | SP1004-11 | – | – | – | SP2601-0461 | 22307 | – | 3992 | 22304-01 | |
| 29303-0000 | SP1002-09 | SP2701-1006 | SP2601-0463 | – | SP2601-0463 | 29307-0000 | 29306-0000 | 29305-0000 | 29304-2000 | |

13 Service Parts

FLEXIBLE IMPELLER PUMP SPARES BY PUMP MODEL



| JABSCO PUMP DETAILS | | | | | | | SERVICE KIT LISTING | | | | |
|---------------------------|------------|--------------|-----------|---------------|----------|-----------------------------|---------------------|-------------------|------------|-------------|---------------------|
| MODEL NUMBER *OEM ONLY | UK/ USA | PUMP SIZE | PORT TYPE | MOUNT TYPE | OBSOLETE | ALTERNATE PUMP NUMBER | PART KEY | 1 | 2 | 3 | 4 |
| | | | | | | | KIT NUMBER | GASKET/ O-RING | IMPELLER | WATER SEAL | END COVER SCREWS |
| 29300-2101 | UK | 10 | 3/8" BSP | Flange | • | | SK404-0001 | 29308-0000 | 22405-0001 | SP2701-1006 | X3004-095G |
| 29300-2101C | UK | 10 | 3/8" BSP | Flange | • | | SK404-0001 | 29308-0000 | 22405-0001 | SP2701-1006 | X3004-095G |
| 29300-2151C | UK | 10 | 3/8" BSP | Flange | • | | SK404-0001 | 29308-0000 | 22405-0001 | SP2701-1006 | X3004-095G |
| 29300-2201 | UK | 10 | 3/8" BSP | Flange | • | | SK404-0001 | 29308-0000 | 22405-0001 | SP2701-1006 | X3004-095G |
| 29300-2201C | UK | 10 | 3/8" BSP | Flange | • | | SK404-0001 | 29308-0000 | 22405-0001 | SP2701-1006 | X3004-095G |
| 29300-2301 | UK | 10 | 3/8" BSP | Flange | • | | SK404-0001 | 29308-0000 | 22405-0001 | SP2701-1006 | X3004-095G |
| 29300-2401 | UK | 10 | 3/8" BSP | Flange | • | | SK404-0001 | 29308-0000 | 22405-0001 | SP2701-1006 | X3004-095G |
| 29300-2401C | UK | 10 | 3/8" BSP | Flange | • | | SK404-0001 | 29308-0000 | 22405-0001 | SP2701-1006 | X3004-095G |
| 29300-2501 | UK | 10 | 3/8" BSP | Flange | • | | SK404-0001 | 29308-0000 | 22405-0001 | SP2701-1006 | X3004-095G |
| 29300-2501C | UK | 10 | 3/8" BSP | Flange | • | | SK404-0001 | 29308-0000 | 22405-0001 | SP2701-1006 | X3004-095G |
| 29300-2601C | UK | 10 | 3/8" BSP | Flange | | | SK404-0001 | 29308-0000 | 22405-0001 | SP2701-1006 | X3004-095G |
| 29300-2731C | UK | 10 | 3/8" BSP | Flange | | | – | X4020-244A | 22405-0001 | SP2701-1006 | X3001-095F |
| 29340-2101C | UK | 10 | 3/8" BSP | Flange | • | | – | – | – | – | – |
| 29350-1001 | UK | 10 | Ø 18 Hose | Flange | | | SK23-0101 | 1126 | 4528-0001 | SP2701-14 | SP1002-01 |
| 29350-1101 | UK | 10 | Ø 20 Hose | Flange | | | SK23-0101 | 1126 | 4528-0001 | SP2701-14 | SP1002-01 |
| 29370-2001C | UK | 10 | | | • | | – | – | – | – | – |
| 29400-1001 | UK | 20 | Ø 20 Hose | Flange | • | | SK404-0001 | 29308-0000 | 22405-0001 | SP2701-1006 | X3004-095G |
| 29400-1051 | UK | 20 | Ø 20 Hose | Flange | • | | SK404-0001 | 29308-0000 | 22405-0001 | SP2701-1006 | X3004-095G |
| 29400-1101 | UK | 20 | Ø 20 Hose | Flange | • | | SK404-0001 | 29308-0000 | 22405-0001 | SP2701-1006 | X3004-095G |
| 29400-1151 | UK | 20 | Ø 20 Hose | Flange | • | | SK404-0001 | 29308-0000 | 22405-0001 | SP2701-1006 | X3004-095G |
| 29410-1101 | UK | 20 | Ø 20 Hose | Flange | • | | SK404-0001 | 29308-0000 | 18653-0001 | SP2701-1006 | X3004-095G |
| 29440-1001 | UK | 20 | Ø 25 Hose | Crank | | | SK402-0001 | 1985-0000 | 18653-0001 | 29441-0000 | SP1004-09 |
| 29440-1051 | UK | 20 | Ø 25 Hose | Crank | | | SK402-0001 | 1985-0000 | 18653-0001 | 29441-0000 | SP1004-09 |
| 29440-1101 | UK | 20 | Ø 25 Hose | Crank | | | SK402-0001 | 1985-0000 | 18653-0001 | 29441-0000 | SP1004-09 |
| 29440-1201 | UK | 20 | Ø 25 Hose | Crank | • | | SK402-0001 | 1985-0000 | 18653-0001 | 29441-0000 | SP1004-09 |
| 29450-1101 | UK | 20 | Ø 20 Hose | Flange | • | | SK387-0001 | 2995-0030 | 673-0001 | SP2700-05 | SP1002-01 |
| 29450-1201 | UK | 20 | Ø 20 Hose | Flange | | | SK387-0001 | 2995-0030 | 673-0001 | SP2700-05 | SP1002-01 |
| 29450-1231 | UK | 20 | Ø 20 Hose | Flange | | | SK387-0001 | 2995-0030 | 673-0001 | SP2700-05 | SP1002-01 |
| 29450-1301 | UK | 20 | Ø 20 Hose | Flange | | | SK387-0001 | 2995-0030 | 673-0001 | SP2700-05 | SP1002-01 |

| GENERAL PARTS LISTING | | | | | | | | | | |
|-----------------------|-------------|-------------------|------------------|--------------------|-------------------|------------|------------|------------|------------|--|
| 5 | 6 | 7 | 8 | 9 | 10 | 11 | 12 | 13 | 14 | |
| CAM | CAM SCREW | PUMP END OIL SEAL | PUMP END BEARING | DRIVE END OIL SEAL | DRIVE END BEARING | SHAFT | WEARPLATE | END COVER | BODY | |
| 29303-0000 | SP1002-09 | SP2701-1006 | SP2601-0463 | – | SP2601-0463 | 29307-0020 | 29306-0000 | 29305-0000 | 29304-2000 | |
| 29303-0000 | SP1002-09 | SP2701-1006 | SP2601-0463 | – | SP2601-0463 | 29307-0020 | 29306-0000 | 29305-0000 | 29304-2000 | |
| – | – | SP2701-1006 | SP2601-0463 | – | SP2601-0463 | 29307-0020 | 29306-0000 | 29305-0000 | 29304-2000 | |
| 29303-0000 | SP1002-09 | SP2701-1006 | SP2601-0463 | – | SP2601-0463 | 29307-0020 | 29306-0000 | 29305-0000 | 29304-2000 | |
| 29303-0000 | SP1002-09 | SP2701-1006 | SP2601-0463 | – | SP2601-0463 | 29307-0020 | 29306-0000 | 29305-0000 | 29304-2000 | |
| 29303-0000 | SP1002-09 | SP2701-1006 | SP2601-0463 | – | SP2601-0463 | 29307-0040 | 29306-0000 | 29305-0000 | 29304-2000 | |
| 29303-0000 | SP1002-09 | SP2701-1006 | SP2601-0463 | – | SP2601-0463 | 29307-0030 | 29306-0000 | 29305-0000 | 29304-2000 | |
| 29303-0000 | SP1002-09 | SP2701-1006 | SP2601-0463 | – | SP2601-0463 | 29307-0030 | 29306-0000 | 29305-0000 | 29304-2000 | |
| 29303-0000 | SP1002-09 | SP2701-1006 | SP2601-0463 | – | SP2601-0463 | 29307-0040 | 29306-0000 | 29305-0000 | 29304-2000 | |
| 29303-0000 | SP1002-09 | SP2701-1006 | SP2601-0463 | – | SP2601-0463 | 29307-0040 | 29306-0000 | 29305-0000 | 29304-2000 | |
| 29303-0000 | SP1002-09 | SP2701-1006 | SP2601-0463 | – | SP2601-0463 | 29307-0050 | 29306-0000 | 29305-0000 | 29304-2000 | |
| Not Fitted | Not Fitted | SP2701-1006 | SP2601-0463 | – | SP2601-0463 | 29307-0030 | – | 29305-0100 | 29304-2100 | |
| – | – | – | – | – | – | – | – | – | – | |
| 2763 | SP1002-02 | SP2701-14 | SP2601-0459 | – | SP2601-0459 | 29357-0000 | 2765 | AL6-200 | 29354-1000 | |
| 2763 | SP1002-02 | SP2701-14 | SP2601-0459 | – | SP2601-0459 | 29357-0000 | 2765 | AL6-200 | 29354-1100 | |
| – | – | – | – | – | – | – | – | – | – | |
| 2907-0001 | SP1002-02 | SP2701-1006 | SP2601-0457 | – | SP2601-0457 | 29457-0010 | – | 3992 | 29404-1100 | |
| 2441 | SP1002-0152 | SP2701-1006 | SP2601-0457 | – | SP2601-0457 | 29457-0010 | – | 3992 | 29404-1100 | |
| 2907-0001 | SP1002-02 | SP2701-1006 | SP2601-0457 | – | SP2601-0457 | 29467-0000 | – | 3992 | 29404-1100 | |
| 2441 | SP1002-0152 | SP2701-1006 | SP2601-0457 | – | SP2601-0457 | 29467-0000 | – | 3992 | 29404-1100 | |
| 2907-0001 | SP1002-02 | SP2701-1006 | SP2601-0463 | – | SP2601-0463 | 29417-0100 | – | 3992 | 29414-1100 | |
| 2907-0001 | SP1002-02 | – | SP2600-09 | – | – | 29447-0000 | – | 9328 | 29444-1000 | |
| 2441 | SP1002-0152 | – | SP2600-09 | – | – | 29447-0000 | – | 9328 | 29444-1000 | |
| 2907-0001 | SP1002-02 | – | SP2600-09 | – | – | 29447-0000 | – | 9328 | 29444-1000 | |
| 2907-0001 | SP1002-02 | – | SP2600-09 | – | – | 29447-0000 | – | 9328 | 29444-1000 | |
| 2907-0001 | SP1002-02 | SP2700-05 | SP2601-0457 | – | SP2601-0457 | 29457-0010 | – | 3992 | 29454-1100 | |
| 2907-0001 | SP1002-02 | SP2700-05 | SP2601-0457 | – | SP2601-0457 | 29457-0020 | – | 3992 | 29454-1200 | |
| 10818 | SP1002-02 | SP2700-05 | SP2601-0457 | – | SP2601-0457 | 29457-0020 | – | 3992 | 29454-1200 | |
| 2907-0001 | SP1002-02 | SP2700-05 | SP2601-0457 | – | SP2601-0457 | 29457-0010 | – | 3992 | 29454-1300 | |

13 Service Parts

FLEXIBLE IMPELLER PUMP SPARES BY PUMP MODEL



| JABSCO PUMP DETAILS | | | | | | | SERVICE KIT LISTING | | | | |
|---------------------------|------------|--------------|-----------|---------------|----------|-----------------------------|---------------------|-------------------|------------|-------------|---------------------|
| MODEL NUMBER *OEM ONLY | UK/ USA | PUMP SIZE | PORT TYPE | MOUNT TYPE | OBSOLETE | ALTERNATE PUMP NUMBER | PART KEY | 1 | 2 | 3 | 4 |
| | | | | | | | KIT NUMBER | GASKET/ O-RING | IMPELLER | WATER SEAL | END COVER SCREWS |
| 29450-1401 | UK | 20 | Ø 20 Hose | Flange | | | SK387-0001 | 2995-0030 | 673-0001 | SP2700-05 | SP1002-01 |
| 29450-1431 | UK | 20 | Ø 20 Hose | Flange | • | | SK387-0001 | 2995-0030 | 673-0001 | SP2700-05 | SP1002-01 |
| 29450-1601 | UK | 20 | Ø 20 Hose | Flange | | | – | X5251-049 | 653-0001 | SP2701-1006 | X3001-174F |
| 29450-1641 | UK | 20 | Ø 20 Hose | Flange | | | – | 2995-0030 | 653-0001 | SP2701-1006 | SP1002-01 |
| 29450-1701 | UK | 20 | Ø 20 Hose | Flange | | | – | X5251-049 | 653-0001 | SP2701-1006 | X3001-174F |
| 29450-1801 | UK | 20 | Ø 20 Hose | Flange | | | SK387-0001 | 2995-0030 | 653-0001 | SP2701-1006 | SP1002-01 |
| 29450-2131 | UK | 20 | 3/8" BSP | Flange | • | | SK387-0001 | 2995-0030 | 673-0001 | SP2700-05 | SP1002-01 |
| 29450-2231 | UK | 20 | 3/8" BSP | Flange | • | | SK387-0001 | 2995-0030 | 673-0001 | SP2700-05 | SP1002-01 |
| 29460-1001 | UK | 20 | Ø 20 Hose | Flange | • | | SK401-0001 | 2995-0030 | 18653-0001 | SP2701-1006 | SP1002-01 |
| 29460-1041* | UK | 20 | Ø 20 Hose | Flange | | 29460-10-1041 | – | X5251-049 | 653-0001 | SP2701-1006 | X3001-174F |
| 29460-1051* | UK | 20 | Ø 20 Hose | Flange | | 29460-10-1051 | – | X5251-049 | 653-0001 | SP2701-1006 | X3001-174F |
| 29460-1101 | UK | 20 | Ø 20 Hose | Flange | • | | SK401-0001 | 2995-0030 | 18653-0001 | SP2701-1006 | SP1002-01 |
| 29460-1201 | UK | 20 | Ø 20 Hose | Flange | • | | SK401-0001 | 2995-0030 | 18653-0001 | SP2701-1006 | SP1002-01 |
| 29460-1251 | UK | 20 | Ø 20 Hose | Flange | • | | SK401-0001 | 2995-0030 | 18653-0001 | SP2701-1006 | SP1002-01 |
| 29460-1261 | UK | 20 | Ø 20 Hose | Flange | | | – | 2995-0030 | 653-0001 | SP2701-1006 | SP1002-01 |
| 29460-1301 | UK | 20 | Ø 20 Hose | Flange | • | | SK401-0001 | 2995-0030 | 18653-0001 | SP2701-1006 | SP1002-01 |
| 29460-1401 | UK | 20 | Ø 20 Hose | Flange | • | | SK401-0001 | 2995-0030 | 18653-0001 | SP2701-1006 | SP1002-01 |
| 29460-1431 | UK | 20 | Ø 20 Hose | Flange | | | SK401-0001 | 2995-0030 | 18653-0001 | SP2701-1006 | SP1002-01 |
| 29460-1631 | UK | 20 | Ø 20 Hose | Flange | | | – | X5251-049 | 18653-0001 | SP2701-1006 | X3001-174F |
| 29460-1701 | UK | 20 | Ø 20 Hose | Flange | | | – | X5251-049 | 18653-0001 | SP2701-1006 | X3001-174F |
| 29460-2231 | UK | 20 | Ø 20 Hose | Flange | • | | SK387-0001 | 2995-0030 | 18653-0001 | SP2701-1006 | SP1002-01 |
| 29460-2501 | UK | 20 | 3/8" BSP | Flange | | | SK401-0001 | 2995-0030 | 18653-0001 | SP2701-1006 | SP1002-01 |
| 29460-10-1041 | UK | 20 | Ø 20 Hose | Flange | | | – | X4020-257A | 653-0001 | SP2701-1006 | X3001-174F |
| 29460-10-1051 | UK | 20 | Ø 20 Hose | Flange | | | – | X5251-049 | 653-0001 | SP2701-1006 | X3001-174F |
| 29470-1101 | UK | 20 | Ø 16 Hose | Flange | • | | SK405-0001 | 29476-0000 | 18653-0001 | SP2701-1006 | X3004-095G |
| 29470-1231 | UK | 20 | Ø 16 Hose | Flange | • | | SK405-0001 | 29476-0000 | 18653-0001 | SP2701-1006 | X3004-095G |
| 29470-1231C | UK | 20 | Ø 16 Hose | Flange | | | SK405-0001 | 29476-0000 | 18653-0001 | SP2701-1006 | X3004-095G |

| GENERAL PARTS LISTING | | | | | | | | | | |
|-----------------------|-------------|-------------------|------------------|--------------------|-------------------|------------|-----------|------------|------------|--|
| 5 | 6 | 7 | 8 | 9 | 10 | 11 | 12 | 13 | 14 | |
| CAM | CAM SCREW | PUMP END OIL SEAL | PUMP END BEARING | DRIVE END OIL SEAL | DRIVE END BEARING | SHAFT | WEARPLATE | END COVER | BODY | |
| 2907-0001 | SP1002-02 | SP2700-05 | SP2601-0457 | – | SP2601-0457 | 29457-0020 | – | 3992 | 29454-1400 | |
| 10818 | SP1002-02 | SP2700-05 | SP2601-0457 | – | SP2601-0457 | 29457-0020 | – | 3992 | 29454-1400 | |
| Not Fitted | Not Fitted | SP2701-1006 | SP2601-0457 | – | SP2601-0457 | 29457-0040 | – | 29405-0000 | 29454-1800 | |
| 2907-0001 | SP1002-02 | SP2701-1006 | SP2601-0457 | – | SP2601-0457 | 29457-0040 | – | 3992 | 29454-1600 | |
| Not Fitted | Not Fitted | SP2701-1006 | SP2601-0457 | – | SP2601-0457 | 29457-0050 | – | 29405-0000 | 29454-1700 | |
| 2907-0001 | SP1002-02 | SP2701-1006 | SP2601-0457 | – | SP2601-0457 | 29457-0060 | – | 3992 | 29454-1610 | |
| 10818 | SP1002-02 | SP2701-1006 | SP2601-0457 | – | SP2601-0457 | 29457-0030 | – | 3992 | 29454-1500 | |
| 10818 | SP1002-02 | SP2700-05 | SP2601-0457 | – | SP2601-0457 | 29457-0020 | – | 3992 | 29454-1400 | |
| 2907-0001 | SP1002-02 | SP2701-1006 | SP2601-0457 | – | SP2601-0457 | 29467-0000 | – | 3992 | 29464-1000 | |
| – | – | SP2701-1006 | SP2601-0457 | – | SP2601-0457 | 29467-0000 | – | 29405-0000 | 29454-1940 | |
| – | – | SP2701-1006 | SP2601-0457 | – | SP2601-0457 | 29467-0000 | – | 29405-0000 | 29454-1950 | |
| 2907-0001 | SP1002-02 | SP2701-1006 | SP2601-0457 | – | SP2601-0457 | 29467-0000 | – | 3992 | 29464-1100 | |
| 2907-0001 | SP1002-02 | SP2701-1006 | SP2601-0457 | – | SP2601-0457 | 29467-0000 | – | 3992 | 29464-1100 | |
| 2441 | SP1002-0152 | SP2701-1006 | SP2601-0457 | – | SP2601-0457 | 29467-0000 | – | 3992 | 29464-1100 | |
| 29462-0000 | SP1002-09 | SP2701-1006 | SP2601-0457 | – | SP2601-0457 | 29467-0000 | – | 3992 | 29464-1100 | |
| 2907-0001 | SP1002-02 | SP2701-1006 | SP2601-0457 | – | SP2601-0457 | 29467-0000 | – | 3992 | 29464-1300 | |
| 2907-0001 | SP1002-02 | SP2701-1006 | SP2601-0457 | – | SP2601-0457 | 29467-0010 | – | 3992 | 29464-1200 | |
| 10818 | SP1002-02 | SP2701-1006 | SP2601-0457 | – | SP2601-0457 | 29467-0010 | – | 3992 | 29464-1200 | |
| – | – | SP2701-1006 | SP2601-0457 | – | SP2601-0457 | 29467-0010 | – | 29405-0000 | 29454-1230 | |
| – | – | SP2701-1006 | SP2601-0457 | – | SP2601-0457 | 29467-0020 | – | 29405-0000 | 29454-1301 | |
| 10818 | SP1002-02 | SP2701-1006 | SP2601-0457 | – | SP2601-0457 | 29457-0030 | – | 3992 | 29464-1500 | |
| 2907-0001 | SP1002-02 | SP2701-1006 | SP2601-0457 | – | SP2601-0457 | 29467-0010 | – | 3992 | 29464-1200 | |
| – | – | SP2701-1006 | SP2601-0457 | – | SP2601-0457 | 29467-0000 | – | 29405-0000 | 29454-1940 | |
| – | – | SP2701-1006 | SP2601-0457 | – | SP2601-0457 | 29467-0000 | – | 29405-0000 | 29454-1950 | |
| 2907-0001 | SP1002-02 | SP2701-1006 | SP2601-0463 | – | SP2601-0463 | 29467-0020 | – | 29475-0000 | 29474-1000 | |
| 10818 | SP1002-02 | SP2701-1006 | SP2601-0463 | – | SP2601-0463 | 29477-0020 | – | 29475-0000 | 29474-1000 | |
| 10818 | SP1002-02 | SP2701-1006 | SP2601-0463 | – | SP2601-0463 | 29477-0020 | – | 29475-0000 | 29474-1000 | |

13 Service Parts

FLEXIBLE IMPELLER PUMP SPARES BY PUMP MODEL



| JABSCO PUMP DETAILS | | | | | | | SERVICE KIT LISTING | | | | |
|---------------------------|------------|--------------|-----------|---------------|----------|-----------------------------|---------------------|-------------------|------------|-------------|---------------------|
| MODEL NUMBER *OEM ONLY | UK/ USA | PUMP SIZE | PORT TYPE | MOUNT TYPE | OBSOLETE | ALTERNATE PUMP NUMBER | PART KEY | 1 | 2 | 3 | 4 |
| | | | | | | | KIT NUMBER | GASKET/ O-RING | IMPELLER | WATER SEAL | END COVER SCREWS |
| 29470-2031 | UK | 20 | 3/8" BSP | Flange | • | | SK405-0001 | 29476-0000 | 18653-0001 | SP2701-1006 | X3004-095G |
| 29470-2031C | UK | 20 | 3/8" BSP | Flange | | | SK405-0001 | 29476-0000 | 18653-0001 | SP2701-1006 | X3004-095G |
| 29470-2131 | UK | 20 | 3/8" BSP | Flange | • | | SK405-0001 | 29476-0000 | 18653-0001 | SP2701-1006 | X3004-095G |
| 29470-2131C | UK | 20 | 3/8" BSP | Flange | • | | SK405-0001 | 29476-0000 | 18653-0001 | SP2701-1006 | X3004-095G |
| 29470-2201C | UK | 20 | 3/8" BSP | Flange | • | | SK405-0001 | 29476-0000 | 18653-0001 | SP2701-1006 | X3004-095G |
| 29470-2231 | UK | 20 | 3/8" BSP | Flange | • | | SK405-0001 | 29476-0000 | 18653-0001 | SP2701-1006 | X3004-095G |
| 29470-2231C | UK | 20 | 3/8" BSP | Flange | | | SK405-0001 | 29476-0000 | 18653-0001 | SP2701-1006 | X3004-095G |
| 29470-2301 | UK | 20 | 3/8" BSP | Flange | • | | SK405-0001 | 29476-0000 | 18653-0001 | SP2701-1006 | X3004-095G |
| 29470-2301C | UK | 20 | 3/8" BSP | Flange | • | | SK405-0001 | 29476-0000 | 18653-0001 | SP2701-1006 | X3004-095G |
| 29470-2331 | UK | 20 | 3/8" BSP | Flange | • | | SK405-0001 | 29476-0000 | 18653-0001 | SP2701-1006 | X3004-095G |
| 29470-2331C | UK | 20 | 3/8" BSP | Flange | | | SK405-0001 | 29476-0000 | 18653-0001 | SP2701-1006 | X3004-095G |
| 29470-2351 | UK | 20 | 3/8" BSP | Flange | • | | SK405-0001 | 29476-0000 | 18653-0001 | SP2701-1006 | X3004-095G |
| 29470-2351C | UK | 20 | 3/8" BSP | Flange | | | SK405-0001 | 29476-0000 | 18653-0001 | SP2701-1006 | X3004-095G |
| 29470-2431 | UK | 20 | 3/8" BSP | Flange | • | | SK405-0001 | 29476-0000 | 18653-0001 | SP2701-1006 | X3004-095G |
| 29470-2431C | UK | 20 | 3/8" BSP | Flange | | | SK405-0001 | 29476-0000 | 18653-0001 | SP2701-1006 | X3004-095G |
| 29470-2531 | UK | 20 | 3/8" BSP | Flange | • | | SK405-0001 | 29476-0000 | 18653-0001 | SP2701-1006 | X3004-095G |
| 29470-2531C | UK | 20 | 3/8" BSP | Flange | | | SK405-0001 | 29476-0000 | 18653-0001 | SP2701-1006 | X3004-095G |
| 29480-2031 | UK | 20 | 3/8" BSP | Flange | • | | SK405-0001 | 29476-0000 | 18653-0001 | SP2701-1006 | X3004-095G |
| 29480-2031C | UK | 20 | 3/8" BSP | Flange | • | | SK405-0001 | 29476-0000 | 18653-0001 | SP2701-1006 | X3004-095G |
| 29480-2131 | UK | 20 | 3/8" BSP | Flange | • | | SK405-0001 | 29476-0000 | 18653-0001 | SP2701-1006 | X3004-095G |
| 29480-2151 | UK | 20 | 3/8" BSP | Flange | • | | SK405-0001 | 29476-0000 | 18653-0001 | SP2701-1006 | X3004-095G |
| 29480-2231 | UK | 20 | 3/8" BSP | Flange | • | | SK405-0001 | 29476-0000 | 18653-0001 | SP2701-1006 | X3004-095G |
| 29480-2231C | UK | 20 | 3/8" BSP | Flange | • | | SK405-0001 | 29476-0000 | 18653-0001 | SP2701-1006 | X3004-095G |
| 29480-2431 | UK | 20 | 3/8" BSP | Flange | | | – | 29476-0000 | 18653-0001 | SP2701-1006 | X3004-095G |
| 29490-2001C | UK | 20 | 3/8" BSP | Flange | • | | SK405-0001 | 29476-0000 | 18653-0001 | SP2701-1006 | X3004-095G |
| 29500 | UK | 40 | Ø 28 Hose | Flange | • | | SK384-0001 | 3298 | 1210-0001 | SP2700-1027 | SP1002-02 |
| 29500-1001 | UK | 40 | Ø 28 Hose | Flange | | | SK384-0001 | 3298 | 1210-0001 | SP2700-1027 | SP1002-02 |
| 29500-1101 | UK | 40 | Ø 28 Hose | Flange | • | | SK384-0001 | 3298 | 1210-0001 | SP2700-1027 | SP1002-02 |

| GENERAL PARTS LISTING | | | | | | | | | | |
|-----------------------|-----------|-------------------|------------------|--------------------|-------------------|------------|-----------|------------|------------|--|
| 5 | 6 | 7 | 8 | 9 | 10 | 11 | 12 | 13 | 14 | |
| CAM | CAM SCREW | PUMP END OIL SEAL | PUMP END BEARING | DRIVE END OIL SEAL | DRIVE END BEARING | SHAFT | WEARPLATE | END COVER | BODY | |
| 10818 | SP1002-02 | SP2701-1006 | SP2601-0463 | – | SP2601-0463 | 29477-0010 | – | 29475-0000 | 29474-2000 | |
| 10818 | SP1002-02 | SP2701-1006 | SP2601-0463 | – | SP2601-0463 | 29477-0010 | – | 29475-0000 | 29474-2000 | |
| 10818 | SP1002-02 | SP2701-1006 | SP2601-0463 | – | SP2601-0463 | 29477-0000 | – | 29475-0000 | 29474-2000 | |
| 10818 | SP1002-02 | SP2701-1006 | SP2601-0463 | – | SP2601-0463 | 29477-0000 | – | 29475-0000 | 29474-2000 | |
| 2907-0001 | SP1002-02 | SP2701-1006 | SP2601-0463 | – | SP2601-0463 | 29477-0000 | – | 29475-0000 | 29474-2000 | |
| 10818 | SP1002-02 | SP2701-1006 | SP2601-0463 | – | SP2601-0463 | 29477-0020 | – | 29475-0000 | 29474-2000 | |
| 10818 | SP1002-02 | SP2701-1006 | SP2601-0463 | – | SP2601-0463 | 29477-0020 | – | 29475-0000 | 29474-2000 | |
| 2907-0001 | SP1002-09 | SP2701-1006 | SP2601-0463 | – | SP2601-0463 | 29477-0030 | – | 29475-0000 | 29474-2000 | |
| 2907-0001 | SP1002-09 | SP2701-1006 | SP2601-0463 | – | SP2601-0463 | 29477-0030 | – | 29475-0000 | 29474-2000 | |
| 10818 | SP1002-02 | SP2701-1006 | SP2601-0463 | – | SP2601-0463 | 29477-0030 | – | 29475-0000 | 29474-2000 | |
| 10818 | SP1002-02 | SP2701-1006 | SP2601-0463 | – | SP2601-0463 | 29477-0030 | – | 29475-0000 | 29474-2000 | |
| 2441 | SP1002-01 | SP2701-1006 | SP2601-0463 | – | SP2601-0463 | 29477-0030 | – | 29475-0000 | 29474-2000 | |
| 2441 | SP1002-01 | SP2701-1006 | SP2601-0463 | – | SP2601-0463 | 29477-0030 | – | 29475-0000 | 29474-2000 | |
| 10818 | SP1002-02 | SP2701-1006 | SP2601-0463 | – | SP2601-0463 | 29477-0040 | – | 29475-0000 | 29474-2000 | |
| 10818 | SP1002-02 | SP2701-1006 | SP2601-0463 | – | SP2601-0463 | 29477-0040 | – | 29475-0000 | 29474-2000 | |
| 10818 | SP1002-02 | SP2701-1006 | SP2601-0463 | – | SP2601-0463 | 29477-0020 | – | 29475-0000 | 29474-2000 | |
| 10818 | SP1002-02 | SP2701-1006 | SP2601-0463 | – | SP2601-0463 | 29477-0020 | – | 29475-0000 | 29474-2000 | |
| 10818 | SP1002-02 | SP2701-1006 | SP2601-0463 | – | SP2601-0463 | 29487-0000 | – | 29475-0000 | 29484-2000 | |
| 10818 | SP1002-02 | SP2701-1006 | SP2601-0463 | – | SP2601-0463 | 29487-0000 | – | 29475-0000 | 29484-2000 | |
| 10818 | SP1002-02 | SP2701-1006 | SP2601-0463 | – | SP2601-0463 | 29486-0000 | – | 29475-0000 | 29484-2000 | |
| 2441 | SP1002-01 | SP2701-1006 | SP2601-0463 | – | SP2601-0463 | 29486-0000 | – | 29475-0000 | 29484-2000 | |
| 10818 | SP1002-02 | SP2701-1006 | SP2601-0463 | – | SP2601-0463 | 29486-0000 | – | 29475-0000 | 29484-2000 | |
| 10818 | SP1002-02 | SP2701-1006 | SP2601-0463 | – | SP2601-0463 | 29486-0000 | – | 29475-0000 | 29484-2000 | |
| 10818 | SP1002-02 | SP2701-1006 | SP2601-0463 | – | SP2601-0463 | 29487-0100 | – | 29475-0000 | 29484-2000 | |
| 10818 | SP1002-02 | SP2701-1006 | SP2601-0463 | – | SP2601-0463 | 29497-0000 | – | 29475-0000 | 29494-2000 | |
| 490 | SP1003-01 | SP2700-1027 | SP2601-0451 | – | SP2601-0451 | 29508-0000 | 7883 | 3992 | 29504-1000 | |
| 490 | SP1003-01 | SP2700-1027 | SP2601-0451 | – | SP2601-0451 | 29508-0000 | 7883 | 3992 | 29504-1000 | |
| 490 | SP1003-01 | SP2700-1027 | SP2601-0451 | – | SP2601-0451 | 29517-0000 | 7883 | 3992 | 29504-1000 | |

13 Service Parts

FLEXIBLE IMPELLER PUMP SPARES BY PUMP MODEL



| JABSCO PUMP DETAILS | | | | | | | SERVICE KIT LISTING | | | | |
|---------------------------|------------|--------------|-----------|---------------|----------|-----------------------------|---------------------|-------------------|------------|-----------------|---------------------|
| MODEL NUMBER *OEM ONLY | UK/ USA | PUMP SIZE | PORT TYPE | MOUNT TYPE | OBSOLETE | ALTERNATE PUMP NUMBER | PART KEY | 1 | 2 | 3 | 4 |
| | | | | | | | KIT NUMBER | GASKET/ O-RING | IMPELLER | WATER SEAL | END COVER SCREWS |
| 29500-1201 | UK | 40 | Ø 28 Hose | Flange | | | SK384-0001 | 3298 | 1210-0001 | SP2700-1027 | SP1002-02 |
| 29500-1251 | UK | 40 | Ø 28 Hose | Flange | | | SK384-0001 | 3298 | 1210-0001 | SP2700-1027 | SP1002-02 |
| 29500-1351 | UK | 40 | Ø 28 Hose | Flange | • | New Pipework | SK384-0001 | 3298 | 1210-0001 | SP2700-1027 | SP1002-02 |
| 29500-1401 | UK | 40 | Ø 28 Hose | Flange | | | SK384-0001 | 3298 | 1210-0001 | SP2700-1027 | SP1002-02 |
| 29500-1451 | UK | 40 | Ø 28 Hose | Flange | • | | SK384-0001 | 3298 | 1210-0001 | SP2700-1027 | SP1002-02 |
| 29500-1501 | UK | 40 | Ø 28 Hose | Flange | | | SK384-0001 | 3298 | 1210-0001 | SP2700-1027 | SP1002-02 |
| 29500-1901 | UK | 40 | Ø 28 Hose | Flange | | | SK384-0001 | 3298 | 1210-0001 | SP2700-1027 | SP1002-02 |
| 29500-3001 | UK | 40 | Ø 28 Hose | Flange | • | 29500- 1001 | SK384-0001 | 3298 | 1210-0001 | SP2700-1027 | SP1002-02 |
| 29520-2001 | UK | 40 | 3/4" BSP | Flange | | | SK239 | 3298 | 1210-0001 | 22617-0010 | SP1002-02 |
| 29530-2001 | UK | 40 | 3/4" BSPF | Crank | | | – | 3298 | 1210-0001 | SP2700-1027 | X3001-095F |
| 29540-1001 | UK | 40 | Ø 32 Hose | Bracket | • | | – | 3298 | 1210-0001 | SP2700-1027 | X3001-095F |
| 29540-1101 | UK | 40 | Ø 32 Hose | Flange | | | – | 3298 | 1210-0001 | SP2700-1027 | X3001-095F |
| 29540-1201 | UK | 40 | Ø 32 Hose | Bracket | • | | – | 3298 | 1210-0001 | SP2700-1027 | X3001-095F |
| 29540-1301 | UK | 40 | Ø 32 Hose | Flange | | | – | 3298 | 1210-0001 | SP2700-1027 | X3001-095F |
| 29600-1001 | UK | 80 | Ø 32 Hose | Flange | | New Pipework | SK385-0101 | 890 | 17937-0001 | SP6080- 0469 | SP1003-0111 |
| 29600-1101 | UK | 80 | Ø 32 Hose | Flange | • | | SK385-0101 | 890 | 17937-0001 | SP6080- 0469 | SP1003-0111 |
| 29600-1201 | UK | 80 | Ø 32 Hose | Flange | | | SK385-0101 | 890 | 17937-0001 | SP6080- 0469 | SP1003-0111 |
| 29600-1641 | UK | 80 | Ø 32 Hose | Flange | • | | SK385-0601 | 890 | 920-0001 | SP6080- 0469 | SP1003-0111 |
| 29600-1741 | UK | 80 | Ø 32 Hose | Flange | | | SK385-0601 | 890 | 920-0001 | SP6080- 0469 | SP1003-0111 |
| 29600-1801 | UK | 80 | Ø 32 Hose | Flange | | | SK385-0101 | 890 | 17937-0001 | SP6080- 0469 | SP1003-0111 |
| 29620-2001 | UK | 80 | 1" BSP | Flange | | | SK229 | 890 | 17937-0001 | 22617-0010 | SP1003-09 |
| 29630-1001 | UK | 80 | Ø 32 Hose | Flange | • | 29640- 1101 | SK385-0601 | 890 | 920-0001 | SP6080- 0469 | SP1003-0111 |
| 29630-1101 | UK | 80 | Ø 32 Hose | Flange | • | 29630- 1201 | SK385-0601 | 890 | 920-0001 | SP6080- 0469 | X5258-013 |
| 29630-1141 | UK | 80 | Ø 32 Hose | Flange | • | 29630- 1241 | SK385-0601 | 890 | 920-0001 | SP6080- 0469 | X5258-013 |
| 29630-1201* | UK | 80 | Ø 32 Hose | Flange | | | SK385-0601 | 890 | 920-0001 | SP6080- 0469 | X5258-013 |
| 29630-1241* | UK | 80 | Ø 32 Hose | Flange | | | SK385-0601 | 890 | 920-0001 | SP6080- 0469 | X5258-013 |
| 29640-1001 | UK | 80 | Ø 32 Hose | Flange | | | SK385-0101 | 890 | 17937-0001 | SP6080- 0469 | SP1003-0111 |
| 29640-1101 | UK | 80 | Ø 32 Hose | Flange | | | SK385-0101 | 890 | 17937-0001 | SP6080- 0469 | SP1003-0111 |
| 29700-1101 | UK | 120 | Ø 45 Hose | Flange | • | | SK386-0001 | 890 | 17018-0001 | SP6080- 0469 | SP1003-0111 |
| 29700-1201 | UK | 120 | Ø 45 Hose | Flange | | | SK386-0001 | 890 | 17018-0001 | SP6080- 0469 | SP1003-0111 |
| 29700-1301 | UK | 120 | Ø 45 Hose | Flange | | | SK386-0001 | 890 | 17018-0001 | SP6080- 0469 | SP1003-0111 |

| GENERAL PARTS LISTING | | | | | | | | | | |
|-----------------------|-----------|-------------------|------------------|--------------------|-------------------|------------|-----------|------------|------------|--|
| 5 | 6 | 7 | 8 | 9 | 10 | 11 | 12 | 13 | 14 | |
| CAM | CAM SCREW | PUMP END OIL SEAL | PUMP END BEARING | DRIVE END OIL SEAL | DRIVE END BEARING | SHAFT | WEARPLATE | END COVER | BODY | |
| 490 | SP1003-01 | SP2700-1027 | SP2601-0451 | – | SP2601-0451 | 29518-0000 | 7883 | 3992 | 29504-1000 | |
| 10336 | SP1003-09 | SP2700-1027 | SP2601-0451 | – | SP2601-0451 | 29518-0000 | 7883 | 3992 | 29504-1000 | |
| 10336 | SP1003-09 | SP2700-1027 | SP2601-0451 | – | SP2601-0451 | 29518-0000 | 7883 | 3992 | 29504-1000 | |
| 490 | SP1003-01 | SP2700-1027 | SP2601-0451 | – | SP2601-0451 | 29503-0000 | 7883 | 3992 | 29504-1000 | |
| 10336 | SP1003-09 | SP2700-1027 | SP2601-0451 | – | SP2601-0451 | 29503-0000 | 7883 | 3992 | 29504-1000 | |
| 490 | SP1003-01 | SP2700-1027 | SP2601-0451 | – | SP2601-0451 | 29516-0000 | 7883 | 3992 | 29504-1000 | |
| 490 | SP1003-01 | SP2700-1027 | SP2601-0451 | – | SP2601-0451 | 29507-0020 | 7883 | 3992 | 29504-1000 | |
| 490 | SP1003-01 | SP2700-1027 | SP2601-0452 | – | SP2601-0452 | 29507-0000 | 7883 | 3992 | 29504-1000 | |
| 490 | SP1003-01 | SP2701-21 | SP2600-01 | – | SP2600-01 | 29527-0000 | 7883 | 3992 | 10554-200 | |
| 490 | SP1003-01 | – | SP2600-0025 | – | SP2600-0025 | 29537-0000 | 7883 | 29535-0000 | 29534-2000 | |
| 490 | SP1003-01 | – | SP601-0451 | – | SP601-0451 | 29547-0100 | – | 29545-1101 | 29544-1000 | |
| 490 | SP1003-01 | – | SP601-0451 | – | SP601-0451 | 29547-0100 | – | 29545-1101 | 29544-1000 | |
| 490 | SP1003-01 | – | SP601-0451 | – | SP601-0451 | 29547-0100 | – | 29545-1201 | 29544-1000 | |
| 490 | SP1003-01 | – | SP601-0451 | – | SP601-0451 | 29547-0100 | – | 29545-1201 | 29544-1000 | |
| 934-0000 | SP1004-09 | SP2700-1027 | SP2600-0500 | – | SP2600-0500 | 29607-0000 | 4156 | 3993 | 29604-1000 | |
| 934-0000 | SP1004-09 | SP2700-1027 | SP2600-0500 | – | SP2600-0500 | 29606-0000 | 4156 | 3993 | 29604-1000 | |
| 934-0000 | SP1004-09 | SP2700-1027 | SP2600-0500 | – | SP2600-0500 | 29608-0000 | 4156 | 3993 | 29604-1200 | |
| 3255 | SP1004-11 | SP2700-1027 | SP2600-0500 | – | SP2600-0500 | 29609-0000 | 4156 | 3993 | 29604-1300 | |
| 3255 | SP1004-11 | SP2700-1027 | SP2600-0500 | – | SP2600-0500 | 29606-0200 | 4156 | 3993 | 29604-1600 | |
| 934-0000 | SP1004-09 | SP6080-0469 | SP2600-0500 | – | SP2600-0500 | 29609-0100 | 4156 | 3993 | 29604-1300 | |
| 934-0000 | SP1004-09 | SP2701-21 | SP2600-01 | – | SP2600-01 | 29627-0000 | 4156 | 3993 | 10329-200 | |
| 934-0000 | SP1004-09 | SP2700-1027 | SP2601-0468 | – | SP2601-0468 | 29637-0000 | 4156 | 3993 | 29634-1000 | |
| 934-0000 | SP1004-09 | SP2700-1027 | SP2601-0468 | – | SP2601-0468 | 29637-0000 | 4156 | 3993 | 29634-1100 | |
| 3255 | SP1004-11 | SP2700-1027 | SP2601-0468 | – | SP2601-0468 | 29637-0000 | 4156 | 3993 | 29634-1100 | |
| 934-0000 | SP1004-09 | SP2700-1027 | SP2601-0468 | – | SP2601-0468 | 29637-0100 | 4156 | 3993 | 29634-1000 | |
| 3255 | SP1004-11 | SP2700-1027 | SP2601-0468 | – | SP2601-0468 | 29637-0100 | 4156 | 3993 | 29634-1100 | |
| 934-0000 | SP1004-09 | SP2700-1027 | SP2600-0500 | – | SP2600-0500 | 29647-0000 | 4156 | 3993 | 29604-1000 | |
| 934-0000 | SP1004-09 | SP2700-1027 | SP2600-0500 | – | SP2600-0500 | 29647-0000 | 4156 | 3993 | 29604-1300 | |
| 23341-0000 | SP1004-09 | SP2701-0903 | SP2600-11 | – | SP2600-11 | 29707-0000 | 4156 | 3993 | 29704-1200 | |
| 23341-0000 | SP1004-09 | SP2701-0903 | SP2600-11 | – | SP2600-11 | 29708-0000 | 4156 | 3993 | 29704-1200 | |
| 23341-8000 | SP1004-09 | SP2701-0903 | SP2600-11 | – | SP2600-11 | 29707-0000 | 4156 | 3993 | 29704-1300 | |

13 Service Parts

FLEXIBLE IMPELLER PUMP SPARES BY PUMP MODEL



| JABSCO PUMP DETAILS | | | | | | | SERVICE KIT LISTING | | | | |
|---------------------------|------------|--------------|----------------|---------------|----------|-----------------------------|---------------------|-------------------|------------|-------------|---------------------|
| MODEL NUMBER *OEM ONLY | UK/ USA | PUMP SIZE | PORT TYPE | MOUNT TYPE | OBSOLETE | ALTERNATE PUMP NUMBER | PART KEY | 1 | 2 | 3 | 4 |
| | | | | | | | KIT NUMBER | GASKET/ O-RING | IMPELLER | WATER SEAL | END COVER SCREWS |
| 29700-1331 | UK | 120 | Ø 45 Hose | Flange | | | SK386-0001 | 890 | 17018-0001 | SP6080-0469 | SP1003-0111 |
| 29700-1401 | UK | 120 | Ø 45 Hose | Flange | | | SK386-0001 | 890 | 17018-0001 | SP6080-0469 | SP1003-0111 |
| 29750-1001 | UK | 200 | Ø 38 Hose | Foot | • | | – | X4020-399A | 836-0001 | 21849 | X5255-002 |
| 29770-0001 | UK | 200 | 1-1/2" Flanged | Flange | | | – | 816 | 17935-0001 | 21849 | SP1095-0640 |
| 29800-1001 | UK | 270 | Ø 51 Hose | Foot | • | | – | X4020-399A | 6760-0001 | 21849 | X5255-002 |
| 29830-0001 | UK | 300 | 2-1/4" Flanged | Flange | | | SK424-0001 | X4020-399A | 17938-0001 | 21849 | X3001-176F |
| 29830-0101 | UK | 300 | 2-1/4" Flanged | Flange | | | SK424-0001 | X4020-399A | 17938-0001 | 21849 | X3001-176F |
| 29850-0031 | UK | 370 | 2-3/4" Flanged | Flange | • | 29880-0001 | SK410 | X4020-424A | 17420-0001 | 21849 | SP1094-0060 |
| 29860-2001 | UK | 470 | 2-1/2" Flanged | Foot | • | | SK410 | X4020-424A | 17240-0001 | 21849 | X5255-002 |
| 29860-2101 | UK | 470 | 2-1/2" Flanged | Foot | • | | SK410 | X4020-424A | 17240-0001 | 21849 | X5255-002 |
| 29860-2201 | UK | 470 | 2-1/2" Flanged | Foot | | SK412-0001 | SK410 | X4020-424A | 17240-0001 | 21849 | X5255-002 |
| 29870-2001 | UK | 470 | 2-1/2" Flanged | Foot | | | SK410 | X4020-424A | 17240-0001 | 21849 | X5255-002 |
| 29870-2101 | UK | 470 | 2-1/2" Flanged | Foot | | | SK410 | X4020-424A | 17240-0001 | 21849 | X5255-002 |
| 29880-0001 | UK | 470 | 2-3/4" Flanged | Flange | | Respecified | SK410 | X4020-424A | 17240-0001 | 21849 | X3001-180F |
| 29880-0101 | UK | 470 | 2-3/4" Flanged | Flange | • | 29890-0101 | SK410 | X4020-424A | 17240-0001 | 21849 | X3001-180F |
| 29880-0201 | UK | 470 | 2-3/4" Flanged | Flange | | | SK410 | – | 17240-0001 | 21849 | X3001-207F |
| 29890-0001 | UK | 470 | 2-3/4" Flanged | Flange | | | SK410 | – | 17240-0001 | 21849 | X3001-180F |
| 30190-0000 | USA | 130 | 1-3/4" Flanged | Flange | | | – | 92000-0560 | 30919-0001 | 18753-0342 | 18753-0495 |
| 30190-0001 | USA | 130 | 1-3/4" Flanged | Flange | | | – | 92000-0560 | 30919-0001 | 18753-0342 | 18753-0495 |
| 30410-9001 | USA | 40 | 1-1/2" NPT | Flange | • | | – | 18753-0133 | 1210-0001 | 96080-0080 | – |
| 30890-0001 | USA | 130 | 2" Hose | Flange | | | – | 18753-0343 | 30919-0001 | 18753-0342 | 18753-0495 |
| 30890-0051 | USA | 130 | 2" Hose | Flange | | | – | 18753-0343 | 30919-0001 | 18753-0342 | 18753-0495 |
| 30891-0001 | USA | 130 | 2" Hose | Flange | | | – | 18753-0343 | 30919-0001 | 18753-0342 | 18753-0495 |
| 30891-0002 | USA | 130 | 2" Hose | Flange | | | – | 18753-0343 | 30919-0001 | 18753-0342 | 18753-0495 |
| 30892-0001 | USA | 130 | 2" Hose | Flange | | | 90135-0001 | 18753-0343 | 30919-0001 | 18753-0342 | 18753-0346 |
| 30910-0000 | USA | 130 | 2" Hose | Foot | | | 90135-0001 | 18753-0343 | 30919-0001 | 18753-0342 | 18753-0346 |
| 30940-0001 | USA | 130 | 2" Hose | Foot | | | 90135-0001 | 18753-0343 | 30919-0001 | 18753-0342 | 18753-0346 |
| 30940-0011 | USA | 130 | 2" Hose | Foot | | | 90135-0001 | 18753-0343 | 30919-0001 | 18753-0342 | 18753-0346 |
| 42730-0000 | USA | 120 | 1" NPT | Foot | | | 90124-0001 | 18753-0330 | 18948-0001 | 96080-0080 | 18753-0332 |
| 43210-0001 | USA | 80 | 1-1/4" Hose | Flange | | | 90196-0001 | 43205-1000 | 17954-0001 | 18753-0328 | 18753-0314 |

| GENERAL PARTS LISTING | | | | | | | | | | |
|-----------------------|------------|-------------------|---------------------|--------------------|---------------------|-------------|------------|------------|-------------|--|
| 5 | 6 | 7 | 8 | 9 | 10 | 11 | 12 | 13 | 14 | |
| CAM | CAM SCREW | PUMP END OIL SEAL | PUMP END BEARING | DRIVE END OIL SEAL | DRIVE END BEARING | SHAFT | WEARPLATE | END COVER | BODY | |
| 23342-0000 | SP1004-09 | SP2701-0903 | SP2600-11 | – | SP2600-11 | 29707-0000 | 4156 | 3993 | 29704-1300 | |
| 23341-0000 | SP1004-09 | SP2701-0903 | SP2600-11 | – | SP2600-11 | 29708-0100 | 4156 | 3993 | 29704-1400 | |
| 29752-0000 | SP1005-04 | SP2701-1014 | SP2600-11 | – | SP2600-11 | 29757-0000 | 2574 | 29805-0000 | 29734-1000 | |
| 834 | SP1005-04 | SP2700-0050 | SP2600-32 | – | – | 21239-0020 | 2574 | 9336 | 10634 | |
| 29802-0000 | SP1005-04 | SP2701-1014 | SP2600-11 | – | SP2600-11 | 29807-0000 | 2574 | 29805-0000 | 29804-1000 | |
| 29838-0000 | X3001-205F | SP2701-54 | SP2601-37 | – | SP2601-37 | 29827-0100 | 2574 | 29825-0000 | 29834-0000* | |
| 29838-0000 | X3001-205F | SP2701-54 | SP2601-37 | – | SP2601-37 | 29827-0100 | 2574 | 29825-0100 | 29834-0000* | |
| 23342-0000 | SP1004-09 | SP2701-54 | SP2601-0469 | – | SP2601-0469 | 29857-0000 | 18787-6000 | 18784-1000 | 18783-0000 | |
| 29862-0000 | X3001-207F | SP2701-54 | SP2601-0458 | – | SP2601-0458 | 29867-0000 | 29866-0000 | 29865-0000 | 29864-2000 | |
| 29862-0000 | X3001-207F | SP2701-54 | SP2601-0458 | – | SP2601-0458 | 29867-0000 | 29866-0000 | 29865-0000 | 29864-2100 | |
| 29862-0200 | X3001-207F | SP2701-54 | SP2601-0458 | – | SP2601-0458 | 29867-0000 | 29866-0000 | 29865-0000 | 29864-2000 | |
| 29862-0200 | X3001-207F | SP2701-54 | SP2601-0458 | – | SP2601-0458 | 29867-0000 | 29866-0000 | 29865-0000 | 29864-2000 | |
| 29862-0200 | X3001-207F | SP2701-54 | SP2601-0458 | – | SP2601-0458 | 29867-0000 | 29866-0000 | 29865-0000 | 29864-2000 | |
| 29862-0100 | X3001-207F | SP2701-54 | SP2601-0469 | – | SP2601-0469 | 29887-0000 | 29866-0000 | 29885-0000 | 29884-0000 | |
| 29862-0100 | X3001-207F | SP2701-54 | SP2601-0469 | – | SP2601-0469 | 29887-0100 | 29866-0000 | 29885-0000 | 29884-0000 | |
| 29862-0100 | X3001-207F | SP2701-54 | SP2601-0469 | – | SP2601-0469 | 29887-0100 | 29866-0000 | 29885-0000 | 29884-0100 | |
| 29862-0100 | X3001-207F | SP2701-54 | SP2601-0469 | – | SP2601-0469 | 29887-0100 | 29866-0000 | 29885-0000 | 29884-0200 | |
| 30192-0000 | – | – | 18753-0521 | 18753-0522 | 18753-0521 | Proprietary | 30193 | 30914-1000 | Proprietary | |
| 30192-0000 | – | – | 18753-0521 | 18753-0522 | 18753-0521 | Proprietary | 30193 | 30914-1000 | Proprietary | |
| – | – | – | – | – | – | – | – | – | – | |
| 30929-1000 | 18753-0495 | – | 18753-0521 | 18753-0469 | 18753-0521 | 30903-1000 | 30915-1000 | 30914-1000 | 30901-1000 | |
| 30933 | 18753-0495 | – | 18753-0521 | – | 18753-0521 | 30903-1000 | 30915-1000 | 30914-1000 | – | |
| 30929-1000 | 18753-0495 | – | 18753-0521 | – | 18753-0521 | 30906-1000 | 30915-1000 | 30914-1000 | – | |
| 30929-1000 | 18753-0495 | – | 18753-0521 | – | 18753-0521 | 30906-1000 | 30915-1000 | 30914-1000 | – | |
| 30929-1000 | 18753-0346 | – | With Shaft Assembly | – | With Shaft Assembly | 30908-0000 | 30915-1000 | 30914-1000 | 30901-0000 | |
| 30929-1000 | 18753-0346 | – | With Shaft Assembly | – | With Shaft Assembly | 30912-1000 | 30915-1000 | 30914-1000 | 30911-1000 | |
| 30929-1000 | 18753-0346 | – | With Shaft Assembly | – | With Shaft Assembly | 30912-1000 | 30915-1000 | 30914-1000 | 30911-1000 | |
| 30929-1000 | 18753-0346 | – | With Shaft Assembly | – | With Shaft Assembly | 30912-1000 | 30915-1000 | 30914-1000 | 30911-1000 | |
| 42737-1000 | 18753-0332 | – | – | – | – | 42739-1000 | 4156-0000 | 42738-1000 | 42734-1000 | |
| 43176-1000 | – | – | 18753-0318 | – | 18753-0318 | 43207-1000 | 43176-1000 | 43208-1000 | 43209-1000 | |

13 Service Parts

FLEXIBLE IMPELLER PUMP SPARES BY PUMP MODEL



| JABSCO PUMP DETAILS | | | | | | | SERVICE KIT LISTING | | | | |
|---------------------------|------------|--------------|----------------|---------------|----------|-----------------------------|---------------------|-------------------|------------|-------------|---------------------|
| MODEL NUMBER *OEM ONLY | UK/ USA | PUMP SIZE | PORT TYPE | MOUNT TYPE | OBSOLETE | ALTERNATE PUMP NUMBER | PART KEY | 1 | 2 | 3 | 4 |
| | | | | | | | KIT NUMBER | GASKET/ O-RING | IMPELLER | WATER SEAL | END COVER SCREWS |
| 43210-0001 | USA | 40 | 1" Hose | Flange | | Cooling | 90134-0001 | – | 3085-0001 | – | – |
| 47070-2001 | UK | 70 | 3/4" BSP | Foot | • | | – | X4020-369F | 31070-0051 | SP6080-0469 | X3001-078F |
| 47100-2001 | UK | 100 | 1" BSP | Foot | • | | – | X4020-389A | 31100-0061 | X5280-008 | X3001-178F |
| 47300-2001 | UK | 300 | 2" BSP | Foot | • | | – | X4020-399A | 31300-0051 | 21849 | X3001-178F |
| 50080-2001 | UK | 80 | 1" BSP | Foot | | | SK406-0001 | 890 | 17937-0001 | SP2700-1027 | X3001-147F |
| 50080-2003 | UK | 80 | 1" BSP | Foot | • | | SK406-0003 | 890 | 17937-0003 | SP2700-1027 | X3001-147F |
| 50080-2101 | UK | 80 | 1" BSP | Foot | | | SK406-0001 | 890 | 17937-0001 | SP2700-1027 | X3001-147F |
| 50080-2103 | UK | 80 | 1" BSP | Foot | • | | SK406-0003 | 890 | 17937-0003 | SP2700-1027 | X3001-147F |
| 50080-2201 | UK | 80 | 1" BSP | Foot | | | SK406-0001 | 890 | 17937-0001 | SP2700-1027 | X3001-147F |
| 50080-2203 | UK | 80 | 1" BSP | Foot | • | | SK406-0003 | 890 | 17937-0003 | SP2700-1027 | X3001-147F |
| 50080-2301 | UK | 80 | 1" BSP | Foot | | | SK406-0001 | 890 | 17937-0001 | SP2700-1027 | X3001-147F |
| 50080-2303 | UK | 80 | 1" BSP | Foot | • | | SK406-0003 | 890 | 17937-0003 | SP2700-1027 | X3001-147F |
| 50080-2321 | UK | 80 | 1" BSP | Foot | • | | SK406-0001 | 890 | 17937-0001 | SP2700-1027 | X3001-147F |
| 50080-2903 | UK | 80 | 1" BSP | Foot | • | | SK406-0003 | 890 | 17937-0003 | SP2700-1027 | X3001-147F |
| 50190-1001 | UK | 40 | Ø 32 Hose | Flange | • | | – | 3298 | 1210-0001 | SP2700-1027 | X3001-095F |
| 50200-2003 | UK | 200 | 1-1/2" BSP | Foot | • | | SK407-0003 | 816 | 836-0003 | 21849 | X3001-176F |
| 50200-2011 | UK | 200 | 1-1/2" BSP | Foot | | | SK407-0011 | 816 | 17935-0001 | 21849 | X3001-176F |
| 50200-2103 | UK | 200 | 1-1/2" BSP | Foot | • | | SK407-0003 | 816 | 836-0003 | 21849 | X3001-176F |
| 50200-2111 | UK | 200 | 1-1/2" BSP | Foot | | | SK407-0011 | 816 | 17935-0001 | 21849 | X3001-176F |
| 50200-2203 | UK | 200 | 1-1/2" BSP | Foot | • | | SK407-0003 | 816 | 836-0003 | 21849 | X3001-176F |
| 50200-2211 | UK | 200 | 1-1/2" BSP | Foot | | | SK407-0011 | 816 | 17935-0001 | 21849 | X3001-176F |
| 50200-2303 | UK | 200 | 1-1/2" BSP | Foot | • | | SK407-0003 | 816 | 836-0003 | 21849 | X3001-176F |
| 50200-2311 | UK | 200 | 1-1/2" BSP | Foot | | | SK407-0011 | 816 | 17935-0001 | 21849 | X3001-176F |
| 50200-2903 | UK | 200 | 1-1/2" BSP | Foot | • | | SK407-0003 | 816 | 836-0003 | 21849 | X3001-176F |
| 50200-9203 | UK | 200 | 1-1/2" BSP | Foot | | | SK407-0003 | 816 | 836-0003 | 21849 | X3001-176F |
| 50200-9303 | UK | 200 | 1-1/2" BSP | Foot | | | SK407-0003 | 816 | 836-0003 | 21849 | X3001-176F |
| 50200-9403 | UK | 200 | 1-1/2" BSP | Foot | | | SK407-0003 | 816 | 836-0003 | 21849 | X3001-176F |
| 50210-1001 | UK | 80 | Clamp | Flange | | | – | 890 | 17937-0001 | SP2700-1027 | X3001-147F |
| 50210-1101 | UK | 80 | Clamp | Flange | | | – | X4020-269A | 17937-0001 | SP2700-1027 | X3001-147F |
| 50220-0011 | UK | 200 | 1-1/2" Flanged | Foot | | | SK407-0011 | 816 | 17935-0001 | 21849 | SP1095-0640 |
| 50220-0111 | UK | 200 | 1-1/2" Flanged | Foot | | | SK407-0011 | 816 | 17935-0001 | 21849 | SP1095-0640 |
| 50220-0211 | UK | 200 | 1-1/2" Flanged | Foot | | | SK407-0011 | 816 | 17935-0001 | 21849 | SP1095-0640 |
| 50220-0311 | UK | 200 | 1-1/2" Flanged | Foot | | | SK407-0011 | 816 | 17935-0001 | 21849 | SP1095-0640 |
| 50220-0903 | UK | 200 | 1-1/2" Flanged | Foot | • | | SK407-0003 | 816 | 836-0003 | 21849 | SP1095-0640 |
| 50230-0311 | UK | 200 | 1-1/2" Flanged | Foot | • | | SK407-0011 | 816 | 17935-0001 | 21849 | SP1095-0640 |
| 50260-2041 | UK | 80 | 1" BSP | Flange | | | SK385-0001 | 890 | 17937-0001 | SP2700-1027 | SP1003-0111 |

| GENERAL PARTS LISTING | | | | | | | | | |
|-----------------------|------------|-------------------|------------------|--------------------|-------------------|------------|------------|------------|------------|
| 5 | 6 | 7 | 8 | 9 | 10 | 11 | 12 | 13 | 14 |
| CAM | CAM SCREW | PUMP END OIL SEAL | PUMP END BEARING | DRIVE END OIL SEAL | DRIVE END BEARING | SHAFT | WEARPLATE | END COVER | BODY |
| 490-0000 | – | – | – | – | – | – | – | – | 10194-0000 |
| 47072-0000 | X3004-074F | SP2700-1027 | SP2600-12 | – | SP2600-12 | 47077-0000 | 4156 | 47075-0000 | 47074-2000 |
| 47102-0000 | X3001-178F | X5280-009 | SP2601-0468 | – | SP2601-0468 | 47107-0000 | 47106-0000 | 47105-0000 | 47104-2000 |
| 47302-0000 | X3001-205F | SP2701-54 | SP2601-0458 | – | SP2601-0458 | 47307-0000 | 47306-0000 | 47305-0000 | 47304-2000 |
| 934-0000 | SP1004-09 | SP2700-48 | SP2600-06 | – | – | 50087-0000 | 4156 | 3993 | 50084-2000 |
| 934-0000 | SP1004-09 | SP2700-48 | SP2600-06 | – | – | 50087-0000 | 4156 | 3993 | 50084-2000 |
| 934-0000 | SP1004-09 | SP2700-48 | SP2600-06 | – | – | 50087-0000 | 4156 | 3993 | 50084-2000 |
| 934-0000 | SP1004-09 | SP2700-48 | SP2600-06 | – | – | 50087-0000 | 4156 | 3993 | 50084-2000 |
| 934-0000 | SP1004-09 | SP2700-48 | SP2600-06 | – | – | 50087-0000 | 4156 | 3993 | 50084-2000 |
| 934-0000 | SP1004-09 | SP2700-48 | SP2600-06 | – | – | 50087-0000 | 4156 | 3993 | 50084-2000 |
| 934-0000 | SP1004-09 | SP2700-48 | SP2600-06 | – | – | 50087-0000 | 4156 | 3993 | 50084-2000 |
| 934-0000 | SP1004-09 | SP2700-48 | SP2600-06 | – | – | 50087-0000 | 4156 | 3993 | 50084-2000 |
| 934-0000 | SP1004-09 | SP2700-48 | SP2600-06 | – | – | 50087-0000 | 4156 | 3993 | 50084-2000 |
| 934-0000 | SP1004-09 | SP2700-48 | SP2600-06 | – | – | 50087-0000 | 4156 | 3993 | 50084-2000 |
| 490 | SP1003-01 | – | SP2601-0451 | – | – | 50197-0000 | – | 3992 | 50194-1000 |
| 834 | SP1005-04 | SP2700-50 | SP2600-04 | – | – | 50207-0000 | 2574 | 9336 | 50204-2000 |
| 834 | SP1005-04 | SP2700-50 | SP2600-04 | – | – | 50207-0000 | 2574 | 9336 | 50204-2000 |
| 834 | SP1005-04 | SP2700-50 | SP2600-04 | – | – | 50207-0000 | 2574 | 9336 | 50204-2000 |
| 834 | SP1005-04 | SP2700-50 | SP2600-04 | – | – | 50207-0000 | 2574 | 9336 | 50204-2000 |
| 834 | SP1005-04 | SP2700-50 | SP2600-04 | – | – | 50207-0000 | 2574 | 9336 | 50204-2000 |
| 834 | SP1005-04 | SP2700-50 | SP2600-04 | – | – | 50207-0000 | 2574 | 9336 | 50204-2000 |
| 834 | SP1005-04 | SP2700-50 | SP2600-04 | – | – | 50207-0000 | 2574 | 9336 | 50204-2000 |
| 834 | SP1005-04 | SP2700-50 | SP2600-04 | – | – | 50207-0000 | 2574 | 9336 | 50204-2000 |
| 834 | SP1005-04 | SP2700-50 | SP2600-04 | – | – | 50207-0000 | 2574 | 9336 | 50204-2000 |
| 834 | SP1005-04 | SP2700-50 | SP2600-04 | – | – | 50207-0000 | 2574 | 9336 | 50204-2000 |
| 834 | SP1005-04 | SP2700-50 | SP2600-04 | – | – | 50207-0000 | 2574 | 9336 | 50204-2000 |
| 834 | SP1005-04 | SP2700-50 | SP2600-04 | – | – | 50207-0000 | 2574 | 9336 | 50204-2000 |
| 834 | SP1005-04 | SP2700-50 | SP2600-04 | – | – | 50207-0000 | 2574 | 9336 | 50204-2000 |
| 834 | SP1005-04 | SP2700-50 | SP2600-04 | – | – | 50207-0000 | 2574 | 9336 | 50204-2000 |
| 934-0000 | SP1004-09 | – | SP2600-0500 | – | SP2600-0500 | 50217-0000 | 4156 | 3993 | 50214-2000 |
| 53082-0000 | X3004-174F | – | SP2600-0500 | – | SP2600-0500 | 50217-0200 | 4156 | 50215-0000 | 50214-1100 |
| 834 | SP1005-04 | SP2701-54 | SP2601-0458 | – | SP2601-0458 | 50227-0000 | 2574 | 9336 | 10634-02 |
| 834 | SP1005-04 | SP2701-54 | SP2601-0458 | – | SP2601-0458 | 50227-0000 | 2574 | 9336 | 10634-02 |
| 834 | SP1005-04 | SP2701-54 | SP2601-0458 | – | SP2601-0458 | 50227-0000 | 2574 | 9336 | 10634-02 |
| 834 | SP1005-04 | SP2701-54 | SP2601-0458 | – | SP2601-0458 | 50227-0000 | 2574 | 9336 | 10634-02 |
| 834 | SP1005-04 | SP2701-54 | SP2601-0458 | – | SP2601-0458 | 50227-0000 | 2574 | 9336 | 10634-02 |
| 834 | SP1005-04 | SP2701-54 | SP2601-0458 | – | SP2601-0458 | 50227-0000 | 2574 | 9336 | 10584 |
| 3255 | SP1004-11 | SP2700-1027 | SP2600-01 | – | SP2600-01 | 50267-0000 | 4156 | 3993 | 50264-2000 |

13 Service Parts

FLEXIBLE IMPELLER PUMP SPARES BY PUMP MODEL



| JABSCO PUMP DETAILS | | | | | | | SERVICE KIT LISTING | | | | |
|---------------------------|------------|--------------|--------------|---------------|----------|-----------------------------|---------------------|-------------------|------------|-------------|---------------------|
| MODEL NUMBER *OEM ONLY | UK/ USA | PUMP SIZE | PORT TYPE | MOUNT TYPE | OBSOLETE | ALTERNATE PUMP NUMBER | PART KEY | 1 | 2 | 3 | 4 |
| | | | | | | | KIT NUMBER | GASKET/ O-RING | IMPELLER | WATER SEAL | END COVER SCREWS |
| 50270-0011 | UK | 270 | 2" Flanged | Foot | | | SK408-0011 | 816 | 17936-0001 | 21849 | SP1095-0640 |
| 50270-0111 | UK | 270 | 2" Flanged | Foot | | | SK408-0011 | 816 | 17936-0001 | 21849 | SP1095-0640 |
| 50270-0211 | UK | 270 | 2" Flanged | Foot | | | SK408-0011 | 816 | 17936-0001 | 21849 | SP1095-0640 |
| 50270-0311 | UK | 270 | 2" Flanged | Foot | | | SK408-0011 | 816 | 17936-0001 | 21849 | SP1095-0640 |
| 50270-0911 | UK | 270 | 2" Flanged | Foot | • | | SK408-0011 | 816 | 17936-0001 | 21849 | SP1095-0640 |
| 50270-0913 | UK | 270 | 2" Flanged | Foot | • | | SK408-0013 | 816 | 6760-0003 | 21849 | SP1095-0640 |
| 50270-2011 | UK | 270 | 2" BSP | Foot | | | SK408-0011 | 816 | 17936-0001 | 21849 | SP1095-0640 |
| 50270-2111 | UK | 270 | 2" BSP | Foot | | | SK408-0011 | 816 | 17936-0001 | 21849 | SP1095-0640 |
| 50270-2211 | UK | 270 | 2" BSP | Foot | | | SK408-0011 | 816 | 17936-0001 | 21849 | SP1095-0640 |
| 50270-2311 | UK | 270 | 2" BSP | Foot | | | SK408-0011 | 816 | 17936-0001 | 21849 | SP1095-0640 |
| 50270-2313 | UK | 270 | 2" BSP | Foot | • | | SK408-0013 | 816 | 6760-0003 | 21849 | SP1095-0640 |
| 50270-2911 | UK | 270 | 2" BSP | Foot | | | SK408-0011 | 816 | 17936-0001 | 21849 | SP1095-0640 |
| 50270-2913 | UK | 270 | 2" BSP | Foot | • | | SK408-0013 | 816 | 6760-0003 | 21849 | SP1095-0640 |
| 50280-2001 | UK | 40 | 3/4" BSP | Flange | | | SK271 | 3298 | 1210-0001 | SP2701-21 | SP1002-02 |
| 50280-2101 | UK | 40 | 3/4" BSP | Flange | | | SK271 | 3298 | 1210-0001 | SP2701-21 | SP1002-02 |
| 50310-1001 | UK | 80 | Ø 32 Hose | Flange | | | – | X4020-354A | 17937-0001 | SP6080-0469 | X3001-209F |
| 50310-1101 | UK | 80 | Ø 32 Hose | Flange | • | | – | X4020-354A | 17937-0001 | SP6080-0469 | SP1003-0111 |
| 50310-1251 | UK | 80 | Ø 32 Hose | Flange | • | | – | X4020-354A | 17937-0001 | SP6080-0469 | SP1003-0111 |
| 50320-2001 | UK | 80 | 1" BSP | Foot | | | – | 890 | 17937-0001 | SP2700-1027 | X3001-147F |
| 50340-1001 | UK | 40 | Ø 28 Hose | Flange | | | SK384-0001 | 3298 | 1210-0001 | SP2700-1027 | X3004-095G |
| 50350-1001 | UK | 120 | Ø 45 Hose | Flange | • | | – | X4020-269A | 17018-0001 | SP6080-0469 | X3001-176F |
| 50360-1001 | UK | 40 | Ø 28 Hose | Flange | • | | – | X4020-259A | 1210-0001 | SP6080-0469 | X3001-147F |
| 50370-1001 | UK | 40 | Ø 28 Hose | Flange | • | 50370-2001 | – | X4020-259A | 1210-0001 | SP6080-0469 | X3001-147F |
| 50370-2001* | UK | 40 | Ø 28 Hose | Flange | | | – | X4020-259A | 1210-0001 | SP6080-0469 | X3001-147F |
| 50380-1001* | UK | 80 | Ø 38/45 Hose | Flange | | | – | X5251-052 | 17937-0001 | SP6080-0469 | X3001-178F |
| 50390-1201* | UK | 120 | Ø 45/50 Hose | Flange | | | – | X5251-052 | 17018-0001 | SP6080-0469 | X3001-178F |
| 50400-1001 | UK | 40 | Ø 28 Hose | Flange | | | SK384-0001 | 3298 | 1210-0001 | SP2700-1027 | SP1002-02 |
| 50410-1201 | UK | 60 | Ø 32 Hose | Crank | | | – | 92000-1403 | 18777-0001 | SP2701-21 | X3001-151F |
| 50410-1251 | UK | 60 | Ø 32 Hose | Crank | | | – | 92000-1403 | 18777-0001 | SP2701-21 | X3001-151F |
| 50410-1301 | UK | 60 | Ø 32 Hose | Crank | | | – | 92000-1403 | 18777-0001 | 96080-6080 | X3001-151F |

| GENERAL PARTS LISTING | | | | | | | | | | |
|-----------------------|------------|-------------------|------------------|--------------------|-------------------|------------|------------|------------|------------|--|
| 5 | 6 | 7 | 8 | 9 | 10 | 11 | 12 | 13 | 14 | |
| CAM | CAM SCREW | PUMP END OIL SEAL | PUMP END BEARING | DRIVE END OIL SEAL | DRIVE END BEARING | SHAFT | WEARPLATE | END COVER | BODY | |
| 6988 | SP1005-04 | SP2701-54 | SP2601-0458 | – | SP2601-0458 | 50227-0000 | 2574 | 9336 | 10634-02 | |
| 6988 | SP1005-04 | SP2701-54 | SP2601-0458 | – | SP2601-0458 | 50227-0000 | 2574 | 9336 | 10634-02 | |
| 6988 | SP1005-04 | SP2701-54 | SP2601-0458 | – | SP2601-0458 | 50227-0000 | 2574 | 9336 | 10634-02 | |
| 6988 | SP1005-04 | SP2701-54 | SP2601-0458 | – | SP2601-0458 | 50227-0000 | 2574 | 9336 | 10634-02 | |
| 6988 | SP1005-04 | SP2701-54 | SP2601-0458 | – | SP2601-0458 | 50227-0000 | 2574 | 9336 | 10634-02 | |
| 6988 | SP1005-04 | SP2701-54 | SP2601-0458 | – | SP2601-0458 | 50227-0000 | 2574 | 9336 | 10634-02 | |
| 6988 | SP1005-04 | SP2701-54 | SP2601-0458 | – | SP2601-0458 | 50227-0000 | 2574 | 9336 | 10634-02 | |
| 6988 | SP1005-04 | SP2701-54 | SP2601-0458 | – | SP2601-0458 | 50227-0000 | 2574 | 9336 | 10634-02 | |
| 6988 | SP1005-04 | SP2701-54 | SP2601-0458 | – | SP2601-0458 | 50227-0000 | 2574 | 9336 | 10634-02 | |
| 6988 | SP1005-04 | SP2701-54 | SP2601-0458 | – | SP2601-0458 | 50227-0000 | 2574 | 9336 | 10634-02 | |
| 6988 | SP1005-04 | SP2701-54 | SP2601-0458 | – | SP2601-0458 | 50227-0000 | 2574 | 9336 | 10634-02 | |
| 6988 | SP1005-04 | SP2701-54 | SP2601-0458 | – | SP2601-0458 | 50227-0000 | 2574 | 9336 | 10634-02 | |
| 6988 | SP1005-04 | SP2701-54 | SP2601-0458 | – | SP2601-0458 | 50227-0000 | 2574 | 9336 | 10634-02 | |
| 6988 | SP1005-04 | SP2701-54 | SP2601-0458 | – | SP2601-0458 | 50227-0000 | 2574 | 9336 | 10634-02 | |
| 6988 | SP1005-04 | SP2701-54 | SP2601-0458 | – | SP2601-0458 | 50227-0000 | 2574 | 9336 | 10634-02 | |
| 7876 | SP1003-01 | SP2701-21 | SP2601-07 | – | – | 3277 | 7883 | 3992 | 3274-200 | |
| 7876 | SP1003-01 | SP2701-21 | SP2601-07 | – | – | 3277 | 7883 | 3992 | 3274-200 | |
| 934-0000 | SP1004-09 | SP2700-1027 | SP2600-0500 | – | SP2600-0500 | 50317-0000 | 4156 | 3993 | 29604-1700 | |
| 934-0000 | SP1004-09 | SP2700-1027 | SP2600-0500 | – | SP2600-0500 | 29609-0100 | 4156 | 3993 | 29604-1300 | |
| 2431 | SP1004-10 | SP2700-1027 | SP2600-0500 | – | SP2600-0500 | 29609-0200 | 4156 | 3993 | 29604-1300 | |
| 934-0000 | SP1004-09 | Not Fitted | SP2600-12 | – | SP2600-12 | 50327-0000 | Not Fitted | 3993 | 50324-2000 | |
| 490 | SP1003-01 | SP2700-1027 | SP2601-0451 | – | SP2601-0451 | 50347-0000 | 7883 | 3992 | 50344-1000 | |
| 23341-0001 | SP1004-09 | SP2701-0903 | SP2600-11 | – | SP2600-11 | 50357-0000 | 4156 | 50355-0000 | 50354-1000 | |
| 490-0100 | SP1003-01 | SP2700-1027 | SP2601-0451 | – | SP2601-0451 | 50367-0000 | 7883 | 23825-0000 | 50364-1000 | |
| 23826-0000 | SP1003-01 | SP2700-1027 | SP2601-0451 | – | SP2601-0451 | 50377-0000 | 7883 | 23825-0000 | 50374-1000 | |
| 23826-0000 | SP1003-01 | SP2700-1027 | SP2601-0451H | – | SP2601-0451H | 50377-0000 | 7883 | 23825-0000 | 50374-2000 | |
| 53082-0000 | X3003-176F | – | 92600-0518 | – | 92600-0518 | 50387-0000 | 4156 | 50386-1000 | 50384-1000 | |
| 50392-0100 | X3003-176F | – | 92600-0518 | – | 92600-0518 | 50397-0100 | 4156 | 50396-1000 | 50394-1300 | |
| 490 | SP1003-01 | SP2700-1027 | SP2601-0451 | – | SP2601-0451 | 50407-0000 | 7883 | 3992 | 29504-1200 | |
| 22318-0100 | X3003-149K | – | SP2600-12 | – | SP2600-12 | 22113-6000 | – | 50416-0000 | 50414-1000 | |
| 22308-0100 | X3002-147F | – | SP2600-12 | – | SP2600-12 | 22113-6000 | – | 50416-0000 | 50414-1000 | |
| 22318-0100 | X3003-149K | – | SP2600-12 | – | SP2600-12 | 22113-6000 | – | 50416-0000 | 50414-1000 | |

13 Service Parts

FLEXIBLE IMPELLER PUMP SPARES BY PUMP MODEL



| JABSCO PUMP DETAILS | | | | | | | SERVICE KIT LISTING | | | | |
|---------------------------|------------|--------------|-------------------|---------------|----------|-----------------------------|---------------------|-------------------|------------|-----------------|---------------------|
| MODEL NUMBER *OEM ONLY | UK/ USA | PUMP SIZE | PORT TYPE | MOUNT TYPE | OBSOLETE | ALTERNATE PUMP NUMBER | PART KEY | 1 | 2 | 3 | 4 |
| | | | | | | | KIT NUMBER | GASKET/ O-RING | IMPELLER | WATER SEAL | END COVER SCREWS |
| 50410-1351 | UK | 60 | Ø 32 Hose | Crank | | | – | 92000-1403 | 18777-0001 | 96080-6080 | X3001-151F |
| 50410-1401 | UK | 60 | Ø 32 Hose | Crank | | | – | 92000-1403 | 18777-0001 | SP2701-21 | X3001-151F |
| 50410-1501 | UK | 60 | Ø 32 Hose | Crank | | | – | 92000-1403 | 18777-0001 | 96080-6080 | X3001-151F |
| 50430-0301* | UK | 120 | Hose/ Flange | Flange | | | – | X4020-269A | 17018-0001 | SP6080- 0469 | X3001-176F |
| 50440-1401* | UK | 80 | Ø 32 Hose | Flange | | | SK385-0601 | X4020-269A | 920-0001 | SP6080- 0469 | X3001-176F |
| 50540-1001* | UK | 120 | Ø 45 Hose | Flange | | | – | X4020-269A | 920-0001 | SP6080- 0469 | X3001-176F |
| 50500-0001* | UK | 300 | Flange | Flange | | | – | X4020-399A | 17938-0001 | 21849 | X3001-176F |
| 50530-0001* | UK | 80 | Hose/ Flange | Flange | | | – | X4020-269A | 17937-0001 | 96080-0626 | X3001-178F |
| 50570-0001* | UK | 300 | Flange | Flange | | | – | X4020-399A | 836-0001 | 21849 | X3001-176F |
| 50590-0001* | UK | 200 | Hose/ Flange | Flange | | | – | X4020-399A | 836-0001 | 21849 | X3001-178F |
| 50680-0031* | UK | 300 | Flange | Flange | | | – | X4020-399A | 17938-0001 | 21849 | X3001-176F |
| 51080-2001 | UK | 80 | 1" BSP | Foot | | | SK406-0001 | 890 | 17937-0001 | SP2700-1027 | X3001-147F |
| 51080-2003 | UK | 80 | 1" BSP | Foot | • | 51080- 2001 | SK406-0003 | 890 | 17937-0003 | SP2700-1027 | X3001-147F |
| 51080-2041 | UK | 80 | 1" BSP | Foot | | | SK406-0001 | 890 | 17937-0001 | SP2700-1027 | X3001-147F |
| 51080-9013 | UK | 80 | 1" NPT | Foot | | | – | 890 | 920-0003 | SP2700-1027 | X3001-147F |
| 51200-2003 | UK | 200 | 1-1/2" BSP | Foot | • | Bilge Option | SK407-0003 | 816 | 836-0003 | 21849 | X3001-176F |
| 51200-2011 | UK | 200 | 1-1/2" BSP | Foot | | Bilge Option | SK407-0011 | 816 | 17935-0001 | 21849 | X3001-176F |
| 51200-9013 | UK | 200 | 1-1/2" NPT | Foot | | | – | 816 | 836-0003 | 21849 | X3001-176F |
| 51220-0011 | UK | 200 | 1-1/2" Flanged | Foot | | | SK407-0011 | 816 | 17935-0001 | 21849 | X3001-176F |
| 51270-0011 | UK | 270 | 2" Flanged | Foot | | | SK408-0011 | 816 | 21676-0001 | 21849 | X3001-176F |
| 51270-2011 | UK | 270 | 2" BSP | Foot | | | SK408-0011 | 816 | 21676-0001 | 21849 | X3001-176F |
| 51270-2013 | UK | 270 | 2" BSP | Foot | • | | SK408-0013 | 816 | 21676-0003 | 21849 | X3001-176F |
| 51270-9013 | UK | 270 | 2" NPT | Foot | | | – | 816 | 6760-0003 | 21849 | X3001-176F |
| 51510-2001 | UK | 10 | 3/8" BSP | Foot | | | – | X4020-244A | 22405-0001 | 96080-6024 | X3001-095F |
| 51520-2001 | UK | 20 | 3/8" BSP | Foot | | | – | X5251-050 | 653-0001 | 96080-6024 | X3001-174F |
| 52010-0051 | UK | 10 | 3/8" NPT | Foot | • | | SK404-0101 | 29308-0000 | 22405-0001 | SP2701-0501 | X3001-095F |
| 52010-2001 | UK | 10 | 3/8" BSP | Foot | • | 51510- 2001 | SK404-0101 | 29308-0000 | 22405-0001 | SP2701-0501 | X3001-095F |
| 52010-2051 | UK | 10 | 3/8" BSP | Foot | • | 51510- 2001 | SK404-0101 | 29308-0000 | 22405-0001 | SP2701-0501 | X3001-095F |
| 52020-2001 | UK | 20 | 3/8" BSP | Foot | • | 51520- 2001 | SK405-0101 | 2995-0030 | 18653-0001 | SP2701-0501 | X3001-095F |
| 52020-2031 | UK | 20 | 3/8" BSP | Foot | • | 51520- 2001 | SK405-0101 | 2995-0030 | 18653-0001 | SP2701-0501 | X3001-095F |

| GENERAL PARTS LISTING | | | | | | | | | | |
|-----------------------|------------|-------------------|------------------|--------------------|-------------------|------------|------------|------------|------------|--|
| 5 | 6 | 7 | 8 | 9 | 10 | 11 | 12 | 13 | 14 | |
| CAM | CAM SCREW | PUMP END OIL SEAL | PUMP END BEARING | DRIVE END OIL SEAL | DRIVE END BEARING | SHAFT | WEARPLATE | END COVER | BODY | |
| 22308-0100 | X3002-147F | – | SP2600-12 | – | SP2600-12 | 22113-6000 | – | 50416-0000 | 50414-1000 | |
| 22318-0100 | X3002-147K | – | SP2600-12 | – | SP2600-12 | 22113-6000 | – | 50416-0000 | 50414-1000 | |
| 22318-0100 | X3003-149K | – | SP2600-12 | – | SP2600-12 | 22113-6000 | – | 50416-0000 | 50414-1000 | |
| 50392-0000 | X3003-176F | – | SP2600-32 | – | SP2600-32 | 50437-0100 | 4156 | 50355-0000 | 50434-0000 | |
| 53082-0000 | X3003-176F | SP2700-1027 | SP2601-0468 | – | SP2601-0468 | 29637-0100 | 4156 | 50355-0000 | 50444-1000 | |
| 53092-0000 | X3003-176F | SP2700-0903 | SP2600-11 | – | SP2600-11 | 50547-0000 | 4156 | 50355-0000 | 50544-1000 | |
| 29838-0000 | X3003-176F | SP2701-54 | SP2601-37 | – | SP2601-37 | 50507-0000 | 2574 | 29825-0400 | 50504-1000 | |
| 53082-0040 | X3003-174F | SP2701-54 | SP2601-37 | – | SP2601-37 | 50537-0000 | 4156 | 50355-0000 | 50534-0000 | |
| 29838-0000 | X3001-205F | SP2701-54 | SP2601-37 | – | SP2601-37 | 50577-0000 | 2574 | 29825-0500 | 50504-1100 | |
| 52238-0000 | X3003-178F | SP2700-50 | SP2600-32 | – | SP2600-32 | 50597-0000 | 2574 | 29825-0600 | 50594-0000 | |
| 29838-0010 | X3001-203F | – | SP2601-0469 | – | SP2601-40 | 50687-0000 | 2754 | 50685-0000 | 29834-0100 | |
| 934-0000 | SP1004-09 | SP2700-48 | SP2600-06 | – | SP2600-11 | 51087-0000 | 4156 | 3993 | 50084-2100 | |
| 934-0000 | SP1004-09 | SP2700-48 | SP2600-06 | – | SP2600-11 | 51087-0000 | 4156 | 3993 | 50084-2100 | |
| 934-0000 | SP1004-09 | SP2700-48 | SP2600-06 | – | SP2600-11 | 51087-0000 | 4156 | 3993 | 50084-2100 | |
| | SP1004-09 | SP2700-48 | SP2600-06 | – | SP2600-11 | 51087-0000 | 4156 | 3993 | 50084-9100 | |
| 834 | SP1005-04 | SP2700-50 | SP2600-04 | – | SP2600-09 | 51207-0000 | 2574 | 9336 | 50204-2100 | |
| 834 | SP1005-04 | SP2700-50 | SP2600-04 | – | SP2600-09 | 51207-0000 | 2574 | 9336 | 50204-2100 | |
| 834 | SP1005-04 | SP2700-50 | SP2600-04 | – | SP2600-09 | 51207-0000 | 2574 | 9336 | 50204-9100 | |
| 834 | SP1005-04 | SP2700-50 | SP2600-04 | – | SP2600-09 | 51207-0000 | 2574 | 9336 | 10634 | |
| 6988 | SP1005-04 | SP2701-54 | SP2601-0458 | – | SP2600-09 | 51277-0000 | 2574 | 9336 | 10494 | |
| 6988 | SP1005-04 | SP2701-54 | SP2601-0458 | – | SP2600-09 | 51277-0000 | 2574 | 9336 | 50204-2100 | |
| 6988 | SP1005-04 | SP2701-54 | SP2601-0458 | – | SP2600-09 | 51277-0000 | 2574 | 9336 | 50204-2100 | |
| 6988 | SP1005-04 | SP2701-54 | SP2601-0458 | – | SP2600-09 | 51277-0000 | 2574 | 9336 | 50274-0000 | |
| Not Fitted | Not Fitted | – | SP2601-0457 | – | SP2601-0457 | 51517-0000 | Not Fitted | 29305-0100 | 51514-2000 | |
| Not Fitted | Not Fitted | – | SP2601-0457 | – | SP2601-0457 | 51527-0000 | Not Fitted | 29405-0000 | 51524-2000 | |
| – | – | SP2701-1006 | SP2601-0457 | SP2701-1006 | SP2601-0457 | 52017-0000 | 29306-0000 | 29305-0000 | 52014-2000 | |
| 29303-0000 | SP1009-05 | SP2701-1006 | SP2601-0457 | SP2701-1006 | SP2601-0457 | 52017-0000 | 29306-0000 | 29305-0000 | 52014-2000 | |
| – | – | SP2701-1006 | SP2601-0457 | SP2701-1006 | SP2601-0457 | 52017-0000 | 29306-0000 | 29305-0000 | 52014-2000 | |
| 2907-0001 | SP1002-09 | SP2701-1006 | SP2601-0457 | SP2701-1006 | SP2601-0457 | 52027-0000 | – | 3992 | 52024-2000 | |
| 2907-0001 | SP1002-09 | SP2701-1006 | SP2601-0457 | SP2701-1006 | SP2601-0457 | 52027-0000 | – | 3992 | 52024-2000 | |

13 Service Parts

FLEXIBLE IMPELLER PUMP SPARES BY PUMP MODEL



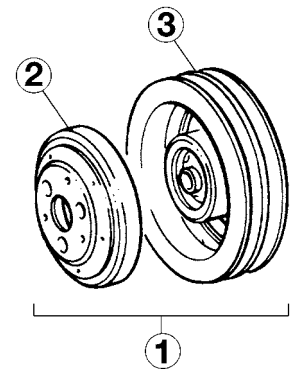
| JABSCO PUMP DETAILS | | | | | | | SERVICE KIT LISTING | | | | |
|---------------------------|------------|--------------|----------------|---------------|----------|-----------------------------|---------------------|-------------------|------------|-------------|---------------------|
| MODEL NUMBER *OEM ONLY | UK/ USA | PUMP SIZE | PORT TYPE | MOUNT TYPE | OBSOLETE | ALTERNATE PUMP NUMBER | PART KEY | 1 | 2 | 3 | 4 |
| | | | | | | | KIT NUMBER | GASKET/ O-RING | IMPELLER | WATER SEAL | END COVER SCREWS |
| 52020-2051 | UK | 20 | 3/8" BSP | Foot | • | 51520-2001 | SK405-0101 | 2995-0030 | 18653-0001 | SP2701-0501 | X3001-095F |
| 52040-2001 | UK | 40 | 3/4" BSP | Foot | | | SK384-0101 | 3298 | 1210-0001 | SP2701-1015 | X3001-095F |
| 52040-2003 | UK | 40 | 3/4" BSP | Foot | | | SK384-0101 | 3298 | 1210-0003 | SP2701-1015 | X3001-095F |
| 52040-2021 | UK | 40 | 3/4" BSP | Foot | | | SK384-0101 | 3298 | 3085-0001 | SP2701-1015 | X3001-095F |
| 52040-2401 | UK | 40 | 3/4" BSP | Foot | | | SK384-0101 | 3298 | 1210-0001 | SP2701-1015 | X3001-095F |
| 52051-2051 | UK | 40 | 3/4" BSP | Foot | | | SK384-0101 | 3298 | 1210-0001 | SP2701-1015 | X3001-095F |
| 52080-2001 | UK | 80 | 1" BSP | Foot | | | SK406-0001 | 890 | 17937-0001 | SP2700-1027 | X3001-147F |
| 52080-2003 | UK | 80 | 1" BSP | Foot | | | SK406-0003 | 890 | 17937-0003 | SP2700-1027 | X3001-147F |
| 52080-2021 | UK | 80 | 1" BSP | Foot | | | SK406-0021 | 890 | 5915-0001 | SP2700-1027 | X3001-147F |
| 52080-2041 | UK | 80 | 1" BSP | Foot | • | | SK406-0001 | 890 | 17937-0001 | SP2700-1027 | X3001-147F |
| 52080-2051 | UK | 80 | 1" BSP | Foot | | | SK406-0001 | 890 | 17937-0001 | SP2700-1027 | X3001-147F |
| 52080-2101 | UK | 80 | 1" BSP | Foot | • | | SK406-0001 | 890 | 17937-0001 | SP2700-1027 | X3003-178F |
| 52200-2001 | UK | 200 | 1-1/2" BSP | Foot | • | 52200-2011 | SK407-0011 | 816 | 17935-0001 | 21849 | X3001-176F |
| 52200-2003 | UK | 200 | 1-1/2" BSP | Foot | | | SK407-0003 | 816 | 836-0003 | 21849 | X3001-176F |
| 52200-2011 | UK | 200 | 1-1/2" BSP | Foot | | | SK407-0011 | 816 | 17935-0001 | 21849 | X3001-176F |
| 52200-2041 | UK | 200 | 1-1/4" BSP | Foot | | | SK407-0011 | 816 | 17935-0001 | 21849 | X3001-176F |
| 52200-2051 | UK | 200 | 1-1/2" BSP | Foot | | | SK407-0011 | 816 | 17935-0001 | 21849 | X3001-176F |
| 52220-0011 | UK | 200 | 1-1/2" Flanged | Foot | | | SK407-0011 | 816 | 17935-0001 | 21849 | X3001-176F |
| 52220-0041 | UK | 200 | 1-1/2" Flanged | Foot | | | SK407-0011 | 816 | 17935-0001 | 21849 | X3001-176F |
| 52220-0051 | UK | 200 | 1-1/2" Flanged | Flange | | | SK407-0011 | 816 | 17935-0001 | 21849 | X3001-176F |
| 52230-0001 | UK | 200 | 1-1/2" Flanged | Flange | • | | – | 816 | 17935-0001 | 21849 | SP1095-0640 |
| 52270-0011 | UK | 270 | 2" Flanged | Foot | | | SK408-0011 | 816 | 17936-0001 | 21849 | SP1095-0640 |
| 52270-2011 | UK | 270 | 2" BSP | Foot | | | SK408-0011 | 816 | 17936-0001 | 21849 | X3001-176F |
| 52270-2013 | UK | 270 | 2" BSP | Foot | | | SK408-0013 | 816 | 6760-0003 | 21849 | X3001-176F |

ELECTROMAGNETIC CLUTCH PUMP CLUTCH PARTS

| KEY | DESCRIPTION | 11860 SERIES | 11870 SERIES | 18330 SERIES | 21960 SERIES (OBSOLETE) | 10670 SERIES (OBSOLETE) |
|-----|------------------------------|--------------|--------------|--------------|----------------------------|----------------------------|
| 1 | 12V – 2-A Grooves Complete | 92300-0030 | 92300-0030 | 92300-0030 | – | – |
| | 12V – 1-B Groove Complete | 18753-0493 | 18753-0493 | 18753-0493 | – | – |
| | 24V – 2-A Grooves Complete | 92300-0061 | 92300-0061 | 92300-0061 | – | – |
| | 24V – 1-B Groove Complete | 18753-0494 | 18753-0494 | 18753-0494 | – | – |
| | 32V – 2-A Grooves Complete | 92300-0050 | – | – | – | – |
| 2 | Replacement Field Coil – 12V | 98022-0500 | 98022-0500 | 98022-0500 | SP2300-0063FC | SP2300-0063FC |
| | Replacement Field Coil – 24V | 98022-2155 | 98022-2155 | 98022-2155 | SP2300-0064FC | SP2300-0064FC |
| | Replacement Field Coil – 32V | 98022-0510 | 98022-0510 | 98022-0510 | – | – |
| 3 | 2-A Grooves Pulley | – | – | – | SP2300-0061RA | SP2300-0061RA |
| | 1-B Groove Pulley | – | – | – | SP2300-0063RA | SP2300-0063RA |

| GENERAL PARTS LISTING | | | | | | | | | | |
|-----------------------|-----------|-------------------|------------------|--------------------|-------------------|------------|-----------|-----------|------------|--|
| 5 | 6 | 7 | 8 | 9 | 10 | 11 | 12 | 13 | 14 | |
| CAM | CAM SCREW | PUMP END OIL SEAL | PUMP END BEARING | DRIVE END OIL SEAL | DRIVE END BEARING | SHAFT | WEARPLATE | END COVER | BODY | |
| 2441 | SP1010-06 | SP2701-1006 | SP2601-0457 | SP2701-1006 | SP2601-0457 | 52027-0000 | - | 3992 | 52024-2000 | |
| 490 | SP1003-01 | SP2700-1027 | SP2601-0451 | SP2701-1015 | SP2601-0451 | 52047-0000 | - | 3992 | 52044-2000 | |
| 490 | SP1003-01 | SP2700-1027 | SP2601-0451 | SP2701-1015 | SP2601-0451 | 52047-0000 | - | 3992 | 52044-2000 | |
| 490 | SP1003-01 | SP2700-1027 | SP2601-0451 | SP2701-1015 | SP2601-0451 | 52047-0000 | - | 3992 | 52044-2000 | |
| 4906 | SP1003-01 | SP2700-1027 | SP2601-0451 | SP2701-1015 | SP2601-0451 | 52047-0000 | - | 3992 | 52044-2000 | |
| 10336 | SP1003-01 | SP2700-1027 | SP2601-0451 | SP2701-1015 | SP2601-0451 | 52047-0000 | - | 3992 | 52044-2000 | |
| 934-0000 | SP1004-09 | SP2700-48 | SP2600-06 | SP2700-1027 | - | 52087-0000 | 4156 | 3993 | 50084-2100 | |
| 934-0000 | SP1004-09 | SP2700-48 | SP2600-06 | SP2700-1027 | - | 52087-0000 | 4156 | 3993 | 50084-2100 | |
| 934-0000 | SP1004-09 | SP2700-48 | SP2600-06 | SP2700-1027 | - | 52087-0000 | 4156 | 3993 | 50084-2100 | |
| - | - | SP2700-48 | SP2600-06 | SP2700-1027 | - | 52087-0000 | 4156 | 3993 | 50084-2100 | |
| 2431 | SP1004-10 | SP2700-48 | SP2600-06 | SP2700-1027 | - | 52087-0000 | 4156 | 3993 | 50084-2100 | |
| 934-0000 | SP1004-09 | SP2700-48 | SP2600-06 | SP2700-1027 | - | 52087-0100 | 4156 | 3993 | 50084-2200 | |
| 834 | SP1005-04 | SP2700-50 | SP2600-04 | SP2701-1013 | - | 52207-0000 | 2574 | 9336 | 50204-2100 | |
| 834 | SP1005-04 | SP2700-50 | SP2600-04 | SP2701-1013 | - | 52207-0000 | 2574 | 9336 | 50204-2100 | |
| 834 | SP1005-04 | SP2700-50 | SP2600-04 | SP2701-1013 | - | 52207-0000 | 2574 | 9336 | 50204-2100 | |
| - | - | SP2700-50 | SP2600-04 | SP2701-1013 | - | 52207-0000 | 2574 | 9336 | 50204-2100 | |
| 2551 | SP1005-05 | SP2700-50 | SP2600-04 | SP2701-1013 | - | 52207-0000 | 2574 | 9336 | 50204-2100 | |
| 834 | SP1005-04 | SP2701-54 | SP2601-0458 | SP2701-1013 | SP2601-0458 | 52227-0000 | 2574 | 9336 | 10634 | |
| - | - | SP2701-54 | SP2601-0458 | SP2701-1013 | SP2601-0458 | 52227-0000 | 2574 | 9336 | 10634 | |
| 2551 | SP1005-05 | SP2701-54 | SP2601-0458 | SP2701-1013 | SP2601-0458 | 52227-0000 | 2574 | 9336 | 10634 | |
| 834 | SP1005-04 | SP2700-50 | SP2600-32 | - | - | 21239-0030 | 2574 | 9336 | 10584-03 | |
| 6988 | SP1005-04 | SP2701-54 | SP2601-0458 | SP2701-1013 | SP2601-0458 | 52277-0000 | 2574 | 9336 | 10494 | |
| 6988 | SP1005-04 | SP2701-54 | SP2601-0458 | SP2701-1013 | SP2601-0458 | 52277-0000 | 2574 | 9336 | 50274-2100 | |
| 6988 | SP1005-04 | SP2701-54 | SP2601-0458 | SP2701-1013 | SP2601-0458 | 52277-0000 | 2574 | 9336 | 50274-2100 | |

| 10680 SERIES (OBSOLETE) | 50080/50580 SERIES | 50200 SERIES | 50220 SERIES | 50270 SERIES |
|-------------------------|--------------------|---------------|---------------|---------------|
| - | - | - | - | - |
| - | - | - | - | - |
| - | - | - | - | - |
| - | - | - | - | - |
| - | - | - | - | - |
| SP2300-0063FC | SP2300-0063FC | SP2300-0063FC | SP2300-0063FC | SP2300-0063FC |
| SP2300-0064FC | SP2300-0064FC | SP2300-0064FC | SP2300-0064FC | SP2300-0064FC |
| - | - | - | - | - |
| SP2300-0061RA | SP2300-0061RA | SP2300-0061RA | SP2300-0061RA | SP2300-0061RA |
| SP2300-0063RA | SP2300-0063RA | SP2300-0063RA | SP2300-0063RA | SP2300-0063RA |



13 Service Parts

OBSOLETE TO CURRENT JABSCO PARTS TABLE



| OBSOLETE JABSCO PART NUMBER | DESCRIPTION | CURRENT JABSCO PART NUMBER |
|-----------------------------|---------------|----------------------------|
| 355-24 | Shaft | 355-07-24 |
| 410 | Seal Assembly | 21849 |
| 653-0001 | Impeller | 18653-0001B |
| 686 | Seal Assembly | 21849 |
| 688-21 | Shaft | 688-21-24 |
| 818 | Lip Seal | SP2700-49 |
| 833 | Seal Assembly | 21849 |
| 913 | Lip Seal | SP2700-48 |
| 914 | Lip Seal | SP2700-47 |
| 1040-0000 | Lip Seal | SP2701-52 |
| 2577 | Seal Assembly | 21849 |
| 2620-211 | Pump | 2620-200 |
| 2620-221 | Pump | 2620-200 |
| 2620-254 | Pump | 2620-252 |
| 2620-281 | Pump | 2620-252 |
| 2877-0001 | Impeller | 4568-0001B |
| 2877-0003 | Impeller | 4568-0003B |
| 3200-01 | Pump | 9440-200 |
| 3214 | Lip Seal | SP2700-59 |
| 3266 | Cam/Wearplate | 7884 |
| 3270-200 | Pump | 29500-1001 |
| 3288 | Gasket | 3298 |
| 3370-200 | Pump | 9970-200 |
| 3370-251 | Pump | 9970-261 |
| 3380-200 | Pump | 9970-200 |
| 3380-221 | Pump | 9970-200 |
| 3996 | End Cover | 9336 |
| 4511 | Seal Ring | 9364 |
| 4517-0000 | Lock Nut | C18 |
| 4518-0000 | Packing Ring | C20 |
| 4530-200 | Pump | AL1/4-200 |
| 4530-237 | Pump | AL1/4-237 |
| 4533-0000 | Packing Nut | AL18 |
| 4534-0000 | Body | AL4-200 |
| 4536-0000 | Packing Nut | AL16 |
| 4537-0000 | Shaft | AL10 |
| 4538-0000 | Cam | AL8 |
| 4538-0010 | Cam | AL8-01 |
| 4539-0000 | Packing Ring | AL22 |
| 4546 | Packing Nut | B16 |
| 4546-0000 | Packing Nut | B16 |
| 4547-01 | Shaft | D10-01 |
| 4548 | Lock Nut | B18 |
| 4548-0000 | Lock Nut | B18 |

| OBSOLETE JABSCO PART NUMBER | DESCRIPTION | CURRENT JABSCO PART NUMBER |
|-----------------------------|---------------|----------------------------|
| 4549 | Packing Ring | B22 |
| 4549-0000 | Packing Ring | B22 |
| 4567-01 | Shaft | C10-01 |
| 4583-0000 | Packing Nut | C16 |
| 4590-200 | Pump | JD3/4-200 |
| 4590-237 | Pump | JD3/4-237 |
| 4594-200 | Body | JD4-200 |
| 4595-200 | End Cover | D6-01-200 |
| 4800-111 | Pump | 11790 |
| 4800-21 | Pump | 4800-21-01 |
| 4850 | Pump | 9750 |
| 4860 | Pump | 9760 |
| 5212 | Gasket | 3298 |
| 5400-205 | Pump | 52200-2051 |
| 5522 | End Cover | AL6-200 |
| 6400-200 | Pump | 52200-2001 |
| 6400-205 | Pump | 52200-2051 |
| 6400-207 | Pump | 52200-2011 |
| 6400-207 | Pump | 52200-2001 |
| 6406 | Seal Seat | 10163 |
| 6408 | Seal Assembly | 21849 |
| 6420-0101 | Pump | 52220-0011 |
| 6420-200 | Pump | 52080-2001 |
| 6420-2001 | Pump | 52080-2001 |
| 6420-2003 | Pump | 52080-2003 |
| 6420-204 | Pump | 52080-2041 |
| 6420-2041 | Pump | 52080-2041 |
| 6420-205 | Pump | 52080-2051 |
| 6420-2051 | Pump | 52080-2051 |
| 6520-200 | Pump | 51080-2001 |
| 6520-2001 | Pump | 51080-2001 |
| 6520-2003 | Pump | 51080-2003 |
| 6520-237 | Pump | 51080-2001 |
| 6520-251 | Pump | 51080-2001 |
| 6590-200 | Pump | 51200-2011 |
| 6590-237 | Pump | 51200-2003 |
| 6640-200 | Pump | 52010-2001 |
| 6640-205 | Pump | 52010-2001 |
| 6718 | Shaft | 6718-21 |
| 7420-0004 | Pump | 7420-0101 |
| 7447 | Spacer | 3166 |
| 8123 | Wearplate | 4357 |
| 9416 | Wearplate | 4156 |
| 9420 | Cam | 934-0000 |

| OBSOLETE JABSCO PART NUMBER | DESCRIPTION | CURRENT JABSCO PART NUMBER |
|-----------------------------|---------------|----------------------------|
| 9430-01 | Pump | 11650-200 |
| 9430-211 | Pump | 29300-2601C |
| 9436-211 | Shaft | 22286 |
| 9700-101 | Pump | 9700-04 |
| 9700-141 | Pump | 9700-04 |
| 9700-21 | Pump | 29600-1001 |
| 9710 | Pump | 9710-200 |
| 9900 | Pump | 29470-2231C |
| 9970-251 | Pump | 9970-241 |
| 9970-271 | Pump | 9970-200 |
| 9990-21 | Pump | 9990-41 |
| 9996 | Wearplate | 7883 |
| 10118 | Seal Assembly | 1817-0000 |
| 10135 | Bearing | 3625-1150 |
| 10187-01 | Shaft | 21679-0010 |
| 10420 | Pump | 29490-2001C |
| 10490 | Pump | 52270-0011 |
| 10490-0201 | Pump | 50270-0911 |
| 10490-07 | Pump | 52270-0011 |
| 10490-207 | Pump | 52270-0011 |
| 10497 | Shaft | 11258 |
| 10497-01 | Shaft | 11258-01 |
| 10590 | Pump | 10590-22 |
| 10590-01 | Pump | 11101-01-01 |
| 10590-0141 | Pump | 10590-0041 |
| 10590-21 | Pump | 10590-22 |
| 10590-61 | Pump | 10590-62 |
| 10630 | Pump | 52220-0011 |
| 10630-01 | Pump | 52220-0011 |
| 10630-07 | Pump | 52220-0011 |
| 10630-200 | Pump | 52220-0011 |
| 10630-207 | Pump | 52220-0011 |
| 10630-57 | Pump | 52220-0011 |
| 10650 | Pump | 51220-0011 |
| 10650-0003 | Pump | 51220-0011 |
| 10650-200 | Pump | 51200-2011 |
| 10657-0040 | Shaft | 10657-0020 |
| 10657-0050 | Shaft | 10657-0030 |
| 10660 | Pump | 51270-0011 |
| 10660-0003 | Pump | 51270-0011 |
| 10660-200 | Pump | 51270-2011 |
| 10670 | Pump | 50220-0011 |
| 10670-0003 | Pump | 50220-0011 |
| 10670-01 | Pump | 50220-0111 |

| OBSOLETE JABSCO PART NUMBER | DESCRIPTION | CURRENT JABSCO PART NUMBER |
|-----------------------------|-------------|----------------------------|
| 10670-0103 | Pump | 50220-0111 |
| 10670-0203 | Pump | 50220-0211 |
| 10670-0303 | Pump | 50220-0311 |
| 10670-10 | Pump | 50220-0211 |
| 10670-11 | Pump | 50220-0311 |
| 10670-200 | Pump | 50200-2011 |
| 10670-201 | Pump | 50200-2111 |
| 10670-210 | Pump | 50200-2211 |
| 10670-211 | Pump | 50200-2311 |
| 10677-0040 | Shaft | 10677-0020 |
| 10677-0050 | Shaft | 10677-0030 |
| 10680 | Pump | 50270-0011 |
| 10680-0003 | Pump | 50270-0011 |
| 10680-01 | Pump | 50270-0111 |
| 10680-0103 | Pump | 50270-0111 |
| 10680-0203 | Pump | 50270-0211 |
| 10680-0303 | Pump | 50270-0311 |
| 10680-10 | Pump | 50270-0211 |
| 10680-11 | Pump | 50270-0311 |
| 10680-200 | Pump | 50270-2011 |
| 10680-201 | Pump | 50270-2111 |
| 10680-210 | Pump | 50270-2211 |
| 10680-211 | Pump | 50270-2311 |
| 10880 | Pump | 10880-07 |
| 10880-2461 | Pump | 10880-2561 |
| 10950-200 | Pump | 10950-2401 |
| 10950-201 | Pump | 10950-2401 |
| 10950-204 | Pump | 10950-2401 |
| 10950-205 | Pump | 10950-2401 |
| 10950-2101 | Pump | 10950-2401 |
| 10950-2141 | Pump | 10950-2401 |
| 10950-2201 | Pump | 10950-2601 |
| 10950-2241 | Pump | 10950-2601 |
| 10950-2441 | Pump | 10950-2601 |
| 10950-2451 | Pump | 10950-2601 |
| 10950-2701 | Pump | 10950-2401 |
| 10980-01 | Pump | 10980-0051 |
| 11253 | Shaft | 11254 |
| 11253-01 | Shaft | 11254-01 |
| 11256 | Shaft | 11258 |
| 11256-01 | Shaft | 11258-01 |
| 11260-200 | Pump | 29300-2101C |
| 11260-205 | Pump | 29300-2151C |
| 11260-2101 | Pump | 29300-2201C |

13 Service Parts

OBSOLETE TO CURRENT JABSCO PARTS TABLE



| OBSOLETE JABSCO PART NUMBER | DESCRIPTION | CURRENT JABSCO PART NUMBER |
|-----------------------------|---------------|----------------------------|
| 11260-2151 | Pump | 29300-2151C |
| 11417 | Gasket | 890 |
| 11493-01 | Shaft | 11494-01 |
| 11613 | Lip Seal | SP2701-0940 |
| 11620-200 | Pump | 22830-2101 |
| 11788 | Shaft | 11749-0000 |
| 11796-0020 | Shaft | 11796-0010 |
| 11850-0101 | Pump | 11850-0701 |
| 21090-200 | Pump | 21090-204 |
| 21130-200 | Pump | 21130-2101 |
| 21140-200 | Pump | 21140-2401 |
| 21140-201 | Pump | 21140-2401 |
| 21140-204 | Pump | 21140-2401 |
| 21140-2101 | Pump | 21140-2601 |
| 21140-2141 | Pump | 21140-2601 |
| 21140-2201 | Pump | 21140-2601 |
| 21140-2241 | Pump | 21140-2601 |
| 21374 | Shaft | 9527 |
| 21677 | Shaft | 21679-0000 |
| 21677-01 | Shaft | 21679-0010 |
| 21820-200 | Pump | 52040-2001 |
| 21820-2001 | Pump | 52040-2001 |
| 21820-2003 | Pump | 52040-2003 |
| 21820-2021 | Pump | 52040-2021 |
| 21890 | Pump | 10880-2611 |
| 21944 | Seal Assembly | 22644-6000 |
| 21960-200 | Pump | 50080-2001 |
| 21960-2003 | Pump | 50080-2003 |
| 21960-210 | Pump | 50080-2101 |

| OBSOLETE JABSCO PART NUMBER | DESCRIPTION | CURRENT JABSCO PART NUMBER |
|-----------------------------|-----------------|----------------------------|
| 21960-2103 | Pump | 50080-2103 |
| 21960-211 | Pump | 50080-2201 |
| 21960-2203 | Pump | 50080-2203 |
| 21960-221 | Pump | 50080-2301 |
| 21960-2303 | Pump | 50080-2303 |
| 22040-0131 | Pump | 22040-0501 |
| 22287 | Shaft | 22286 |
| 22304-0020 | Body | 22304-02 |
| 22307 | Bearing Housing | 22317 |
| 22314 | Bearing Housing | 22317 |
| 22617-0000 | Seal Assembly | 22617-0010 |
| 22620 | Pump | 29440-1101 |
| 22740-0251 | Pump | 22740-0151 |
| 22740-0301 | Pump | 22740-0201 |
| 22750-05 | Pump | 22750-1101 |
| 22754 | Bearing Housing | 22317-0010 |
| 22770 | Pump | 29440-1001 |
| 22770-1051 | Pump | 29440-1051 |
| 22770-1101 | Pump | 29440-1101 |
| 22770-1201 | Pump | 29440-1201 |
| 22940-2001 | Pump | 52010-2001 |
| 22950-2031 | Pump | 52020-2001 |
| 22950-2037 | Pump | 52020-2001 |
| 23328-0000 | Pump | 23328-9000 |
| 23387-0000 | Pump | 23387-0020 |
| 23800-0251 | Pump | 23800-0201 |
| 23800-0351 | Pump | 23800-0401 |
| 29470-0231 | Pump | 29470-1231 |
| 29470-0231C | Pump | 29470-1231C |

| OBSOLETE JABSCO PART NUMBER | DESCRIPTION | CURRENT JABSCO PART NUMBER |
|-----------------------------|----------------|----------------------------|
| 29850-0031 | Pump | 29880-0001 |
| 52200-2001 | Pump | 52200-2011 |
| AL24 | Impeller | 4528-0001B |
| AL24-37 | Impeller | 4528-0003B |
| B12-37 | Impeller | 4527-0003B |
| B3/8-200 | Pump | 6540-200 |
| C10 | Shaft | C10-01 |
| C12 | Impeller | 4568-0001B |
| C12-37 | Impeller | 4568-0003B |
| D10 | Shaft | D10-01 |
| D12 | Impeller | 4598-0001B |
| D12-37 | Impeller | 4598-0003B |
| SP1002-07 | Screw | SP1002-02 |
| SP1003-0090 | Screw | SP1003-09 |
| SP1004-0090 | Screw | SP1004-09 |
| SP1009-08 | Screw | SP1009-05 |
| SP1023-0050 | Screw | 91023-0050 |
| SP1095-0090 | Bolt | SP1095-09 |
| SP1105-0030 | Nut | SP1105-03 |
| SP1401-0100 | Key | SP1401-10 |
| SP1402-12 | Key | 9214 |
| SP1602-0060 | Washer | SP1602-06 |
| SP1700-2470 | Retaining Ring | SP1700-247 |
| SP2600-02 | Bearing | SP2600-11 |
| SP2600-0420 | Bearing | SP2601-42 |
| SP2601-18 | Bearing | SP2600-18 |
| SP2700-0480 | Lip Seal | SP2700-48 |
| SP2700-06 | Lip Seal | SP2701-21 |
| SP2700-0910 | Lip Seal | SP2700-91 |

| OBSOLETE JABSCO PART NUMBER | DESCRIPTION | CURRENT JABSCO PART NUMBER |
|-----------------------------|---------------|----------------------------|
| SP2700-11 | Lip Seal | SP2701-14 |
| SP2700-14 | Lip Seal | SP2701-04 |
| SP2700-18 | Lip Seal | SP2701-21 |
| SP2700-28 | Lip Seal | SP2700-51 |
| SP2700-66 | Seal | 92700-0660 |
| SP2700-90 | Lip Seal | SP2700-05 |
| SP2701-07 | Lip Seal | SP2700-51 |
| SP2701-18 | Lip Seal | SP2701-54 |
| SP2701-48 | Lip Seal | SP2700-48 |
| SP2701-49 | Lip Seal | SP2700-49 |
| SP2702-80 | Lip Seal | SP2701-52 |
| SP2703-02 | Lip Seal | SP2701-21 |
| SP2703-07 | Lip Seal | SP2700-49 |
| SP2705-05 | Lip Seal | SP2700-05 |
| SP2901-18 | Lip Seal | SP2701-54 |
| SP6080-0070 | Seal Assembly | 22617-0010 |
| SP6080-03 | Seal Assembly | SP6080-10 |
| SP6080-0372 | Seal Assembly | 21849 |
| SP6080-0373 | Seal Assembly | 22626-0000 |
| SP6080-07 | Seal Assembly | 22617-0010 |
| SP6080-07B | Seal Assembly | 22617-0010 |
| SP6080-11 | Seal Assembly | 22642-0000 |
| SP6080-24 | Seal Assembly | 22643-0000 |
| SP8022-0070 | Seal Assembly | 22617-0010 |
| SP8022-07 | Seal Assembly | 22617-0010 |
| SP8033-0161 | Seal Assembly | 22644-6000 |

13 Service Parts

USA TO UK JABSCO PARTS TABLE



| JABSCO USA PART NUMBER | DESCRIPTION | JABSCO UK PART NUMBER |
|------------------------|---------------|-----------------------|
| 490-0000 | Cam | 490 |
| 490-0001 | Cam | 490 |
| 816-0000 | Gasket | 816 |
| 817-0000 | Lip Seal | SP2700-50 |
| 817-6000 | Lip Seal | SP2700-50 |
| 818-0000 | Lip Seal | SP2700-49 |
| 824-0000 | Shaft | 9527 |
| 834-0000 | Cam | 834 |
| 834-0001 | Cam | 834 |
| 836-0001 | Impeller | 836-0001B |
| 836-0008 | Impeller | 836-0008B |
| 890-0000 | Gasket | 890 |
| 913-0000 | Seal | SP2700-47 |
| 914-0000 | Seal | SP2700-48 |
| 915-0000 | Seal | SP2700-07 |
| 920-0001 | Impeller | 920-0001B OR |
| 920-0001 | Impeller | 17937-0001B |
| 920-0008 | Impeller | 920-0008B |
| 934-0000 | Cam | 934-0000 |
| 934-0010 | Cam | 934-0000 |
| 1040-0000 | Lip Seal | SP2701-52 |
| 1126-0000 | Gasket | 1126 |
| 1189-0000 | Gasket | 1189 |
| 1210-3001 | Impeller | 1210-0001B |
| 2431-0000 | Cam | 2431 |
| 2551-0000 | Cam | 2551 |
| 2566-0020 | Adapter | 2566 |
| 2567-0000 | Shaft | 21238 |
| 2574-0000 | Wearplate | 2574 |
| 2577-0000 | Seal Assembly | 21849 |
| 2765-0000 | Wearplate | 2765 |
| 2995-0030 | Gasket | 2995-0000 |
| 3101-0000 | Gasket | 3101 |
| 3166-0000 | Spacer | 3166 |
| 3180-0000 | Slinger | 3180 |
| 3181-0000 | Slinger | 3181 |
| 3222-0000 | Seal | 3222 |

| JABSCO USA PART NUMBER | DESCRIPTION | JABSCO UK PART NUMBER |
|------------------------|----------------|-----------------------|
| 3255-0000 | Cam | 3255 |
| 3298-0000 | Gasket | 3298 |
| 3791-0000 | Packing Ring | 3791 |
| 4156-0000 | Wearplate | 4156 |
| 4156-3000 | Wearplate | 4156 |
| 4271-0000 | Cam/Wearplate | 4271 |
| 4346-0000 | Spline Seal | 4346 |
| 5211-0000 | Cam/Wearplate | 5211 |
| 6408-0000 | Seal Assembly | 21849 |
| 6718-0000 | Shaft | 6718-21 |
| 6760-3008 | Impeller | 6760-0008B |
| 6987-0000 | Shaft | 21239 |
| 6988-0000 | Cam | 6988 |
| 6988-3000 | Cam | 6988 |
| 7876-0000 | Cam | 7876 |
| 7883-0000 | Wearplate | 7883 |
| 7884-0000 | Cam/Wearplate | 7884 |
| 10818-0000 | Cam | 10818 |
| 11816-0000 | Gasket | 3298 |
| 11830-0000 | End Cover | 3992 |
| 11831-0000 | End Cover | 3993 |
| 11835-0000 | End Cover | AL6-200 |
| 12062-0000 | End Cover | 9336 |
| 12066-0000 | End Cover | 9566 |
| 17361-6000 | | 17361-1000 |
| 17365-0000 | Gasket | 17365-1000 |
| 17370-0211 | Impeller | 17370-0001B |
| 17370-3001 | Impeller | 17370-0001B |
| 17372-3000 | Wearplate | 17372-1000 |
| 17372-6000 | Wearplate | 17372-1000 |
| 17374-3000 | Cam Liner | 17374-1000 |
| 17374-6001 | Cam Liner | 17374-1000 |
| 17378-3000 | End Cover | 17378-1000 |
| 17935-3001 | Impeller | 17935-0001B |
| 17936-3001 | Impeller | 17936-0001B |
| 18706-0000 | Retaining Ring | SP1700-1180 |
| 18711-0000 | Retaining Ring | SP1700-245 |

| JABSCO USA PART NUMBER | DESCRIPTION | JABSCO UK PART NUMBER |
|------------------------|----------------|-----------------------|
| 18712-0000 | Retaining Ring | SP1700-246 |
| 18713-0000 | Retaining Ring | SP1700-247 |
| 18724-0000 | Retaining Ring | SP1701-185 |
| 18752-0000 | Bearing | 92600-0480 |
| 18753-0049 | Seal | 22617-0010 |
| 18753-0090 | Cam | 22318 |
| 18753-0139 | Seal | SP6080-0371 |
| 18753-0325 | Shaft Assembly | 23807-0000 |
| 18784-3000 | End Cover | 18784-0000 |
| 18785-3000 | Cam Liner Kit | 18785-0000 |
| 18786-3001 | Impeller | 18786-0001 |
| 18787-3000 | Wearplate | 18787-0000 |
| 19769-6000 | Spline Seal | 17969-0000 |
| 22308-0000 | Cam | 22308 |
| 22318-0000 | Cam | 22318 |
| 90065-0001 | Service Kit | SK65-0001 |
| 90118-3001 | Service Kit | SK118 |
| 90193-3000 | Service Kit | SK193 |
| 91002-0010 | Screw | SP1002-01 |
| 91002-0020 | Screw | SP1002-02 |
| 91002-0030 | Screw | SP1002-03 |
| 91002-0090 | Screw | SP1002-09 |
| 91003-0010 | Screw | SP1003-01 |
| 91003-0020 | Screw | SP1003-02 |
| 91003-0070 | Screw | SP1003-07 |
| 91003-0090 | Screw | SP1003-09 |
| 91003-0110 | Screw | SP1003-11 |
| 91004-0010 | Screw | SP1004-01 |
| 91004-0090 | Screw | SP1004-09 |
| 91004-3090 | Screw | SP1004-09 |
| 91005-0040 | Screw | SP1005-04 |
| 91005-0050 | Screw | SP1005-05 |
| 91005-6040 | Screw | SP1005-04 |
| 91006-0050 | Screw | SP1006-05 |
| 91085-0100 | Nut | SP1085-10 |
| 91106-0040 | Screw | SP1106-04 |
| 91402-0050 | Woodruff Key | SP1402-05 |

| JABSCO USA PART NUMBER | DESCRIPTION | JABSCO UK PART NUMBER |
|------------------------|----------------|-----------------------|
| 91402-0220 | Woodruff Key | SP1402-22 |
| 91602-0090 | Washer | SP1602-09 |
| 91608-0010 | Washer | SP1608-01 |
| 91700-2460 | Retaining Ring | SP1700-246 |
| 91700-2830 | Retaining Ring | SP1700-283 |
| 92000-0120 | O-Ring | SP2000-12 |
| 92000-3210 | O-Ring | SP2000-21 |
| 92600-0040 | Bearing | SP2600-04 |
| 92600-0060 | Bearing | SP2600-06 |
| 92600-0070 | Bearing | SP2600-07 |
| 92600-0080 | Bearing | SP2600-08 |
| 92600-0120 | Bearing | SP2600-12 |
| 92600-0130 | Bearing | SP2600-13 |
| 92600-0150 | Bearing | SP2600-15 |
| 92600-0160 | Bearing | SP2600-16 |
| 92600-0260 | Bearing | SP2600-26 |
| 92600-0530 | Bearing | SP2601-0468 |
| 92600-3060 | Bearing | SP2600-06 |
| 92600-6320 | Bearing | SP2600-32 |
| 92700-0042 | Lip Seal | SP2700-42 |
| 92700-0050 | Lip Seal | SP2700-05 |
| 92700-0060 | Lip Seal | SP2700-06 |
| 92700-0080 | Lip Seal | SP2700-08 |
| 92700-0110 | Lip Seal | SP2700-11 |
| 92700-0150 | Lip Seal | SP2700-15 |
| 92700-0180 | Lip Seal | SP2701-21 |
| 92700-6060 | Lip Seal | SP2700-06 |
| 92700-6070 | Lip Seal | SP2700-07 |
| 92701-0040 | Lip Seal | SP2701-04 |
| 92701-0180 | Lip Seal | SP2701-54 |
| 93000-0100 | Seal | SP3000-10 |
| 96080-0080 | Seal Assembly | SP6080-08B |
| 96080-0371 | Seal Assembly | SP6080-0371 |
| 96080-6371 | Seal Assembly | SP6080-0371 |
| 99019-0001 | Service Kit | MSK19-0001 |
| 99065-0001 | Service Kit | MSK65-00001 |

13 Service Parts

JOHNSON TO JABSCO PARTS TABLE



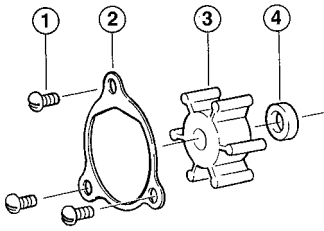
| JOHNSON PART NUMBER | DESCRIPTION | JABSCO PART NUMBER |
|---------------------|----------------|--------------------|
| 01-11206 | Body | 10634 |
| 01-31902 | Body | 9904 |
| 01-31927-2 | Body | 10554-200 |
| 01-42388 | End Cover | 9905 |
| 01-42389 | Cam | 10818 |
| 01-42390 | Shaft | 9907 |
| 01-42391 | Gasket | 10817 |
| 01-42397 | Cam | 490 |
| 01-42398 | End Cover | 3992 |
| 01-42399 | Wearplate | 7883 |
| 01-42401 | Gasket | 3298 |
| 01-42402 | Retaining Ring | SP1700-62 |
| 01-42412 | Gasket | 1126 |
| 01-42414 | End Cover | AL6-200 |
| 01-42415 | Cam | 29303-0000 |
| 01-42415 | Cam | AL8-01 |
| 01-42422 | End Cover | 9336 |
| 01-42422-1 | End Cover | 9336 |
| 01-42423 | Wearplate | 2574 |
| 01-42424 | Gasket | 816 |
| 01-42425 | Cam | 2551 |
| 01-42427-15 | Slinger | 3181 |
| 01-42441 | End Cover | 3993 |
| 01-42442 | Cam | 3255 |
| 01-42443 | Wearplate | 4156 |
| 01-42445 | Gasket | 890 |
| 01-42584 | Cam | 2431 |
| 01-42679 | Cam | 934-0000 |
| 01-42679 | Wearplate | 4156 |
| 01-42680 | Cam | 834 |
| 01-42755 | Cam | 2551 |
| 01-42910 | Cam | 29303-0000 |
| 01-42910 | Cam | AL8 |
| 01-42926 | End Cover | 3992 |
| 01-43135 | Cam | 22039 |
| 01-43136 | End Cover | 9336 |

| JOHNSON PART NUMBER | DESCRIPTION | JABSCO PART NUMBER |
|---------------------|---------------|--------------------|
| 01-43137 | Cam | 6988 |
| 01-43138 | Cam | 22268 |
| 01-43239 | End Cover | 29305-0000 |
| 01-45014 | Cam | 10538 |
| 01-45014 | Cam | 10336 |
| 01-45025 | Shaft | 3277 |
| 01-45084 | Cam | 2441 |
| 01-45087 | Wearplate | 29306-0000 |
| 01-45282 | End Cover | 29475-0000 |
| 01-45288 | Cam | 2907-0001 |
| 09-43112 | Port Kit | K1-200 |
| 09-45033 | Vacuum Switch | 4732-0000 |
| 10-13021-1 | Pump | 52200-2011 |
| 10-13022-1 | Pump | 50200-2011 |
| 10-13022-2 | Pump | 50200-2111 |
| 10-13022-3 | Pump | 50200-2201 |
| 10-13022-33 | Pump | 50200-2011 |
| 10-13022-34 | Pump | 50200-2111 |
| 10-13022-35 | Pump | 50200-2201 |
| 10-13022-36 | Pump | 50200-2301 |
| 10-13022-4 | Pump | 50200-2301 |
| 10-13024-1 | Pump | 52220-0011 |
| 10-24074-1 | Pump | 52020-2001 |
| 10-24076-1 | Pump | 22740-0151 |
| 10-24090-1 | Pump | 11100-01-01 |
| 10-24091-1 | Pump | 10880-0101 |
| 10-24096-1 | Pump | 11100-01-01 |
| 10-24096-2 | Pump | 11100-0141 |
| 10-24096-3 | Pump | 11100-0151 |
| 10-24116-1 | Pump | 50080-2001 |
| 10-24116-2 | Pump | 50080-2101 |
| 10-24116-3 | Pump | 50080-2201 |
| 10-24116-4 | Pump | 50080-2301 |
| 10-24119 | Pump | 3270-1951 |
| 10-24119 | Pump | 3270-271 |
| 10-24119-2 | Pump | 3270-200 |

| JOHNSON PART NUMBER | DESCRIPTION | JABSCO PART NUMBER |
|------------------------|-------------|-----------------------|
| 10-24119-3 | Pump | 3270-200 |
| 10-24119-4 | Pump | 3270-261 |
| 10-24119-6 | Pump | 3270-241 |
| 10-24119-7 | Pump | 3270-2401 |
| 10-24119-8 | Pump | 3270-2101 |
| 10-24126-1 | Pump | 23430-1051 |
| 10-24127 | Pump | 23460-1601 |
| 10-24127-1 | Pump | 23430-1001 |
| 10-24127-2 | Pump | 23430-1051 |
| 10-24127-3 | Pump | 23430-1051 |
| 10-24139 | Pump | 21140-2401 |
| 10-24139 | Pump | 21140-2601 |
| 10-24139-1 | Pump | 21140-2401 |
| 10-24139-2 | Pump | 21140-2441 |
| 10-24139-3 | Pump | 21140-2601 |
| 10-24139-4 | Pump | 21140-2641 |
| 10-24140 | Pump | 10950-2401 |
| 10-24140-1 | Pump | 10950-2401 |
| 10-24140-2 | Pump | 10950-2451 |
| 10-24140-3 | Pump | 10950-2601 |
| 10-24214-4 | Pump | 29440-1001 |
| 10-24215-1 | Pump | 10970 |
| 10-24218-1 | Pump | 23430-1441 |
| 10-24239-1 | Pump | 22040-0501 |
| 10-24244-1 | Pump | 23430-1201 |
| 10-24244-2 | Pump | 23430-1201 |
| 10-24290-1 | Pump | 29440-1101 |
| 10-31197-1 | Pump | 29470-2231C |
| 10-32280-1 | Pump | 11260-1101 |
| 10-32412-1 | Pump | 29300-2101C |
| 10-32588-1 | Pump | NONE |
| 10-35038-1 | Pump | 52010-2001 |
| 10-35058-1 | Pump | 11000-01 |
| 10-35064-1 | Pump | 29300-2101C |
| 10-35088-1 | Pump | 29300-2201C |

13 Service Parts

DC FLEXIBLE IMPELLER PUPPY PUMPS



NOTE

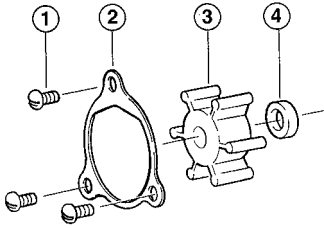
Service Kit SK224 contains Gasket 1985-01 and O-Ring X5251-049. Use whichever is appropriate.

| DC FLEXIBLE IMPELLER PUPPY PUMPS | | | | | | |
|----------------------------------|--------------------|-----------------|----------------|------------|------------|---------|
| PUMP MODEL NUMBER | SERVICE KIT NUMBER | 1 | 2 | 3 | 4 | UK/ USA |
| | | END COVER SCREW | GASKET/ O-RING | IMPELLER | SEAL | |
| 8860/8870 Series | SK374-0003 | SP1002-09 | 7828 | 1414-0003 | SP2701-52 | UK |
| 6360-0001 | 90062-0001 | 91004-0090 | 1985-0010 | 6303-0001 | 93000-0100 | USA |
| 6360-1001 | 90062-0001 | 91004-0090 | 18753-0104 | 6303-0001 | 93000-0100 | USA |
| 6360-1003 | 90062-0003 | 91004-0090 | 18753-0104 | 6303-0003 | 93000-0100 | USA |
| 6370-0001 | 90062-0001 | 91004-0090 | 1985-0010 | 6303-0001 | 93000-0100 | USA |
| 6370-1001 | 90062-0001 | 91004-0090 | 18753-0104 | 6303-0001 | 93000-0100 | USA |
| 6380-0001 | 90062-0001 | 91004-0090 | 1985-0010 | 6303-0001 | 93000-0100 | USA |
| 6380-1001 | 90062-0001 | 91004-0090 | 18753-0104 | 6303-0001 | 93000-0100 | USA |
| 6360/6370 Series | SK224 | SP1004-09 | 1985-01 | 6303-0003 | SP2701-09 | UK |
| 8860-0001 | 90092-0007 | 91002-0090 | 7828-0000 | 14750-0001 | 93000-0100 | USA |
| 8870-0001 | 90092-0007 | 91002-0090 | 7828-0000 | 14750-0001 | 93000-0100 | USA |
| 8880-0001 | 90092-0007 | 91002-0090 | 7828-0000 | 14750-0001 | 93000-0100 | USA |
| 11810-0121 | 90105-0001 | 91002-0020 | 3298-0000 | 5929-0001 | 92700-0420 | USA |
| 11810-0241 | 90105-0001 | 91002-0020 | 3298-0000 | 5929-0001 | 92700-0420 | USA |
| 11810-0321 | 90105-0001 | 91002-0020 | 3298-0000 | 5929-0001 | 92700-0420 | USA |
| 11810-1101 | 90105-0001 | 91002-0020 | 3298-0000 | 5929-0001 | 92700-0420 | USA |
| 12460-0011 | 90158-0051 | – | 92000-0750 | 14750-0001 | 1040-0000 | USA |
| 12560-0001 | 90126-0001 | – | 12558-0000 | 6303-0001 | 1040-0000 | USA |
| 12570-0001 | 90126-0001 | – | 12558-0000 | 6303-0001 | 1040-0000 | USA |
| 12580-0001 | 90126-0001 | – | 12558-0000 | 6303-0001 | 1040-0000 | USA |
| 16360-0003 | 90061-0003 | 91004-0090 | 1985-0010 | 6303-0003 | 93000-0100 | USA |
| 16360-1003 | 90061-0003 | 91004-0090 | 18753-0104 | 6303-0003 | 93000-0100 | USA |
| 16370-0003 | 90061-0003 | 91004-0090 | 1985-0010 | 6303-0003 | 93000-0100 | USA |
| 16370-1003 | 90061-0003 | 91004-0090 | 18753-0104 | 6303-0003 | 93000-0100 | USA |
| 16380-0003 | 90061-0003 | 91004-0090 | 1985-0010 | 6303-0003 | 93000-0100 | USA |
| 16380-1003 | 90061-0003 | 91004-0090 | 18753-0104 | 6303-0003 | 93000-0100 | USA |
| 17800 Series | 90092-0004 | 91002-0090 | 7828-0000 | 14750-0003 | 93000-0100 | USA |
| 17820 Series | 90092-0004 | 91002-0090 | 7828-0000 | 14750-0003 | 93000-0100 | USA |
| 17830 Series | – | 91004-0090 | 18753-0660 | 9200-0023 | 18753-0384 | USA |
| 18220-1123 | 90061-0006 | 18647-0000 | 18753-0660 | 6303-0007 | 18753-0384 | USA |
| 18220-1127 | 90061-0006 | 18647-0000 | 18753-0660 | 6303-0007 | 18753-0384 | USA |
| 18620-0003 | 90092-0004 | 91002-0090 | 7828-0000 | 14750-0003 | 93000-0100 | USA |
| 18620-0023 | 90092-0004 | 91002-0090 | 7828-0000 | 14750-0003 | 93000-0100 | USA |
| 18650-0121 | 90061-0030 | 91004-0090 | 18753-0660 | 9200-0021 | 18753-0384 | USA |
| 18660-0121 | 90061-0061 | 91004-0090 | 18753-0660 | 6303-0001 | 18753-0384 | USA |
| 18670-0123 | 90061-0061 | 91004-0090 | 18753-0660 | 6303-0003 | 18753-0384 | USA |
| 18670-0923 | 90061-0061 | 91004-0090 | 18753-0660 | 6303-0003 | 18753-0384 | USA |
| 18670-0943 | 90061-0061 | 91004-0090 | 18753-0660 | 6303-0003 | 18753-0384 | USA |
| 21700 Series | SK105-37 | SP1002-09 | 3298-01 | 5929-0003 | SP2700-42 | UK |

| DC FLEXIBLE IMPELLER PUPPY PUMPS | | | | | | |
|----------------------------------|--------------------|-----------------|---------------|-----------|--------------|---------|
| PUMP MODEL NUMBER | SERVICE KIT NUMBER | 1 | 2 | 3 | 4 | UK/ USA |
| | | END COVER SCREW | GASKET/O-RING | IMPELLER | SEAL | |
| 22010-2253 | SK305-01 | SP1002-09 | 21646 | 9200-0023 | SP2701-52 | UK |
| 22010-2353 | SK305-01 | SP1002-09 | 21646 | 9200-0023 | SP2701-52 | UK |
| 22010-2653 | SK400-0003 | SP1004-09 | 23678-0000 | 9200-0023 | SP2701-52 | UK |
| 22010-2753 | SK400-0003 | SP1004-09 | 23678-0000 | 9200-0023 | SP2701-52 | UK |
| 22100 Series | SK105-37 | SP1002-09 | 3298-01 | 5929-0003 | SP2700-42 | UK |
| 23610-2003 | SK224-01 | SP1004-09 | 1985-01 | 7273-0003 | SP2701-52 | UK |
| 23610-2103 | SK224-01 | SP1004-09 | 1985-01 | 7273-0003 | SP2701-52 | UK |
| 23610-3003 | SK224-01 | SP1004-09 | X5251-049 | 7273-0003 | SP2701-52 | UK |
| 23610-3012 | SK224-01 | SP1004-09 | 18753-0104 | 7273-0003 | 93000-0100 | UK |
| 23610-3024 | SK224-01 | SP1004-09 | 18753-0104 | 7273-0003 | 93000-0100 | UK |
| 23610-3103 | SK224-01 | SP1004-09 | X5251-049 | 7273-0003 | SP2701-52 | UK |
| 23620-3003 | SK374-0003 | SP1004-09 | X5251-049 | 1414-0003 | SP2701-52 | UK |
| 23620-3103 | SK374-0003 | SP1004-09 | X5251-049 | 1414-0003 | SP2701-52 | UK |
| 23620-4003 | SK374-0003 | SP1004-09 | X5251-049 | 1414-0003 | SP2701-52 | UK |
| 23620-4103 | SK374-0003 | SP1004-09 | X5251-049 | 1414-0003 | SP2701-52 | UK |
| 23670-3003 | SK400-23 | SP1004-09 | X5251-049 | 9200-0023 | SP2701-52 | UK |
| 23670-3103 | SK400-23 | SP1004-09 | X5251-049 | 9200-0023 | SP2701-52 | UK |
| 23670-4003 | SK400-23 | SP1004-09 | X5251-049 | 9200-0023 | SP2701-52 | UK |
| 23670-4103 | SK400-23 | SP1004-09 | X5251-049 | 9200-0023 | SP2701-52 | UK |
| 23680-2003 | SK224 | SP1004-09 | 1985-01 | 6303-0003 | SP2701-52 | UK |
| 23680-2103 | SK224 | SP1004-09 | 1985-01 | 6303-0003 | SP2701-52 | UK |
| 23680-3003 | SK224 | SP1004-09 | X5251-049 | 6303-0003 | SP2701-52 | UK |
| 23680-3012 | SK224 | SP1004-09 | 18753-0104 | 6303-0003 | 93000-0100 | UK |
| 23680-3024 | SK224 | SP1004-09 | 18753-0104 | 6303-0003 | 93000-0100 | UK |
| 23680-3103 | SK224 | SP1004-09 | X5251-049 | 6303-0003 | SP2701-52 | UK |
| 23680-4003 | SK224 | SP1004-09 | X5251-049 | 6303-0003 | SP2701-52 | UK |
| 23680-4103 | SK224 | SP1004-09 | X5251-049 | 6303-0003 | SP2701-52 | UK |
| 23920-2213 | SK415-0113 | X3001-147F | X4020-257A | 7273-0003 | SP8021-0301B | UK |
| 23920-2313 | SK415-0113 | X3001-147F | X4020-257A | 7273-0003 | SP8021-0301B | UK |
| 23920-2403 | SK416-0003 | X3001-147F | X4020-257A | 6303-0003 | SP2701-52 | UK |
| 23920-2503 | SK416-0003 | X3001-147F | X4020-257A | 6303-0003 | SP2701-52 | UK |
| 23920-9213 | SK415-0003 | X3001-147F | X4020-257A | 7273-0003 | SP8021-0301B | UK |
| 23920-9313 | – | X3001-147F | X4020-257A | 7273-0003 | SP8021-0301B | UK |
| 23920-9403 | – | X3001-147F | X4020-257A | 6303-0003 | SP2701-52 | UK |
| 23920-9503 | – | X3001-147F | X4020-257A | 6303-0003 | SP2701-52 | UK |
| 29160 Series | SK400-0021 | SP1004-09 | 23678-0000 | 9200-0021 | SP2701-52 | UK |
| 29190 Series | – | X3001-147F | X4020-257A | 7273-0003 | SP8021-0301B | UK |

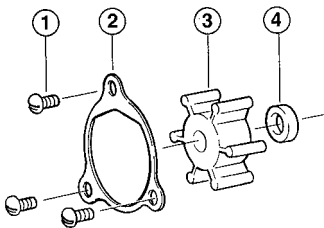
13 Service Parts

AC FLEXIBLE IMPELLER PUMPS, AC & DC MACERATOR AND CENTRIFUGAL PUMPS, SLIDING VANE PUMPS

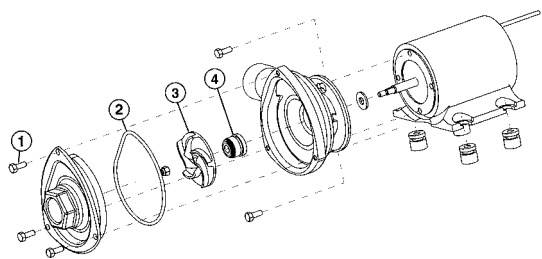


| AC FLEXIBLE IMPELLER PUMPS | | | | | | |
|----------------------------|--------------------|-----------------|---------------|------------|--------------|--------|
| PUMP MODEL NUMBER | SERVICE KIT NUMBER | 1 | 2 | 3 | 4 | UK/USA |
| | | END COVER SCREW | GASKET/O-RING | IMPELLER | SEAL | |
| 6050-0001 | 90058-0003 | 91004-0090 | 890-0000 | 6056-0001 | 92700-0080 | USA |
| 6050-0003 | 90058-0003 | 91004-0090 | 890-0000 | 6056-0003 | 92700-0080 | USA |
| 6050-0253 | 90058-0003 | 91004-0090 | 890-0000 | 6056-0003 | 92700-0080 | USA |
| 6050-0713 | 90058-0003 | 91004-0090 | 890-0000 | 6056-0003 | 92700-0080 | USA |
| 11810-0001 | 90105-0001 | 91003-0010 | 3298-0000 | 5929-0001 | 92700-0420 | USA |
| 11810-0003 | 90105-0001 | 91003-0010 | 3298-0000 | 5929-0003 | 92700-0420 | USA |
| 12210-0001 | 90092-0007 | 91002-0010 | 7828-0000 | 1414-0001 | 93000-0100 | USA |
| 12210-0003 | 90092-0004 | 91002-0010 | 7828-0000 | 1414-0003 | 93000-0100 | USA |
| 12310-0001 | 90158-0011 | 91023-0050* | 92000-0750 | 14792-0001 | 1040-0000 | USA |
| 12310-0003 | 90158-0011 | 91023-0050* | 92000-0750 | 14792-0003 | 1040-0000 | USA |
| 12510-0001 | 90106-0001 | 91002-0090* | 9156-0000 | 9200-0001 | 1040-0000 | USA |
| 12510-0003 | 90106-0003 | 91004-0090* | 9156-0000 | 9200-0003 | 1040-0000 | USA |
| 12520-0001 | 90061-0002 | 91002-0010 | 1985-0011 | 7273-0001 | 93000-0100 | USA |
| 12520-0003 | 90061-0023 | 91002-0010 | 1985-0011 | 7273-0003 | 93000-0101 | USA |
| 12520-1001 | 90061-0002 | 91002-0010 | 18753-0104 | 7273-0001 | 93000-0102 | USA |
| 12520-1003 | 90061-0023 | 91002-0010 | 18753-0104 | 7273-0003 | 93000-0103 | USA |
| 17600-0001 | – | – | 17638-0000 | 17486-0001 | 1040-0000 | USA |
| 18610-0001 | 90061-0032 | 91002-0090* | 18753-0660 | 7273-0001 | 18753-0384 | USA |
| 18610-0003 | 90061-0032 | 91004-0090* | 18753-0660 | 7273-0003 | 18753-0384 | USA |
| 53020-2011 | SK416-0001 | X4001-147F | X4020-257A | 7273-0001 | SP8021-0301B | UK |
| 53020-2013 | SK416-0003 | X4001-147F | X4020-257A | 7273-0003 | SP8021-0301B | UK |
| 53040-2003 | SK409-0003 | X4001-147F | X4020-259A | 14281-0003 | 22626-0000 | UK |
| 53040-2021 | SK409-0021 | X4001-147F | X4020-259A | 8980-0001 | 22626-0000 | UK |
| 53040-2103 | SK409-0003 | X4001-147F | X4020-259A | 14281-0003 | 22626-0000 | UK |
| 53080-2001 | SK411-0001 | X3001-176F | X4020-269A | 14282-0001 | 22626-0000 | UK |
| 53080-2003 | SK411-0003 | X3001-176F | X4020-269A | 14282-0003 | 22626-0000 | UK |

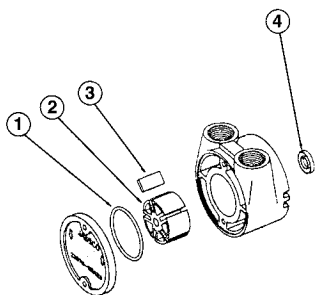
* Not in Service Kit.



| AC & DC MACERATOR PUMPS | | | | | | |
|-------------------------|--------------------|-----------------|---------------|-----------|-----------|--------|
| PUMP MODEL NUMBER | SERVICE KIT NUMBER | 1 | 2 | 3 | 4 | UK/USA |
| | | END COVER SCREW | GASKET/O-RING | IMPELLER | SEAL | |
| 18590 Series | 18598-1000 | – | 18596-1000 | 6303-0003 | 1040-0000 | USA |
| 18690-0000 | 18598-1000 | – | 18596-1000 | 6303-0003 | 1040-0000 | USA |
| 18690-0010 | 18598-1000 | – | 18596-1000 | 6303-0003 | 1040-0000 | USA |
| 21950 Series | SK368-0003 | – | 18596-0000 | 6303-0003 | 1040-0000 | UK |
| 22130 Series | – | – | 18596-0000 | 7273-0003 | SP2701-52 | UK |
| 23570 Series | – | – | 18596-0000 | 7273-0003 | SP2701-52 | UK |



| AC & DC CENTRIFUGAL PUMPS | | | | | |
|---------------------------|-----------------|----------------|------------|-------------|---------|
| PUMP MODEL NUMBER | 1 | 2 | 3 | 4 | UK/ USA |
| | END COVER SCREW | GASKET/ O-RING | IMPELLER | SEAL | |
| 18510-0000 | 91003-0230 | 18516-0000 | 18515-0000 | 1040-0000 | USA |
| 18510-0001 | 91003-0230 | 18516-0000 | 18515-0000 | 1040-0000 | USA |
| 18510-0002 | 91003-0230 | 18516-0000 | 18515-0000 | 1040-0000 | USA |
| 18510-0010 | 91003-0230 | 18516-0000 | 18526-0000 | 96080-0552 | USA |
| 18510-0020 | 91003-0230 | 18516-0000 | 18526-0000 | 96080-0552 | USA |
| 18510-0021 | 91003-0231 | 18516-0000 | 18526-0000 | 96080-0552 | USA |
| 18510-2000 | SP1003-0230 | 18516-0000 | 18515-0000 | SP2701-52 | UK |
| 18510-2100 | SP1003-0230 | 18516-0000 | 18515-0000 | SP2701-52 | UK |
| 18510-9200 | SP1003-0230 | 18516-0000 | 18526-0000 | SP6080-0552 | UK |
| 18510-9300 | SP1003-0230 | 18516-0000 | 18526-0000 | SP6080-0552 | UK |
| 18580-0000 | 91003-0230 | 18516-0000 | 18515-0000 | 1040-0000 | USA |
| 50045-2100 | SP1003-0230 | 18516-0000 | 18526-0000 | SP6080-0552 | UK |
| 50840-0012 | 91095-6325 | X4020-384A | 50831-0000 | 96080-6564 | UK |
| 50840-0024 | 91095-6325 | X4020-384A | 50831-0000 | 96080-6564 | UK |
| 50840-2012 | 91095-6325 | X4020-384A | 50831-0000 | 96080-6564 | UK |
| 50840-2024 | 91095-6325 | X4020-384A | 50831-0000 | 96080-6564 | UK |
| 50870-0012 | 91095-6325 | X4020-369A | 50871-0000 | 96080-6564 | UK |
| 50870-0024 | 91095-6325 | X4020-369A | 50871-0000 | 96080-6564 | UK |
| 50870-2012 | 91095-6325 | X4020-369A | 50871-0000 | 96080-6564 | UK |
| 50870-2024 | 91095-6325 | X4020-369A | 50871-0000 | 96080-6564 | UK |

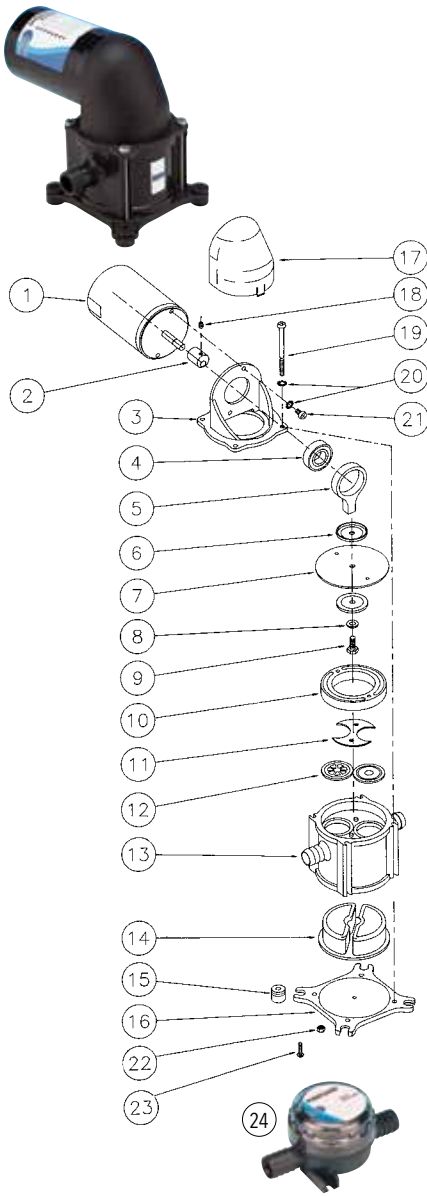
**NOTE**

Service Kits SK421-0000 and SK422-0000 contain just four Vanes and O-Ring. If Rotor is required, it should be ordered separately.

| SLIDING VANE PUMPS | | | | | | |
|--------------------|--------------------|--------------------------|------------|-------------|-------------|---------|
| PUMP MODEL NUMBER | SERVICE KIT NUMBER | 1 | 2 | 3 | 4 | UK/ USA |
| | | O-RING | ROTOR | VANES | SEAL | |
| 18680-0920 | 90200-0001 | 18753-0660 | 18753-0073 | 18753-0072 | 18753-0384 | USA |
| 18680-0940 | 90200-0001 | 18753-0660 | 18753-0073 | 18753-0072 | 18753-0384 | USA |
| 18680-1000 | 90200-0001 | 18753-0660 | 18753-0073 | 18753-0072 | 18753-0384 | USA |
| 18685-0000 | 90200-0001 | 18753-0660 | 18753-0073 | 18753-0072 | 18753-0384 | USA |
| 23530 Series | SK399-0101 | X1990-131 | 45714-0000 | 45716-0000B | SP2701-52 | UK |
| 23540 Series | SK388-0000 | X4020-264A | 23542-0000 | 23183-0010 | SP2701-0504 | UK |
| 23550 Series | SK397-0000 | X4020-269A | 23552-0000 | 23553-0010 | SP6080-0408 | UK |
| 23590 Series | SK399-0201 | X1990-131 | 23591-0000 | 45716-0000B | SP2701-52 | UK |
| 23870 Series | SK399-0101 | X1990-131 | 45714-0000 | 45716-0000 | SP2701-52 | UK |
| 45710-0000 | 90200-0000 | 18753-0071 | 18753-0073 | 18753-0072 | 1040-0000 | USA |
| 45710-0020 | 90200-0000 | 18753-0071 | 18753-0073 | 18753-0072 | 1040-0000 | USA |
| 45710-1000 | 90200-0000 | 18753-0071 | 18753-0073 | 18753-0072 | 1040-0000 | USA |
| 45710-1020 | 90200-0000 | 18753-0071 | 18753-0073 | 18753-0072 | 1040-0000 | USA |
| 45710-2010 | 90200-0000 | 18753-0071 | 18753-0073 | 18753-0072 | 1040-0000 | USA |
| 45710 Series | 90200-0000 | 18753-0071 | 45714-0000 | 18753-0072 | 1040-0000 | USA |
| 45740-0000 | 90200-0000 | 18753-0071 | 18753-0073 | 18753-0072 | 1040-0000 | USA |
| 50130/40 Series | SK414-0000 | Bypass Valve Service Kit | | | | UK |
| | SK413-0000 | X4020-247A | 45714-0000 | 45716-0000B | SP2701-52 | UK |
| VR050 Series | SK421-0000 | X4020-264A | 50242-0000 | 50243-0000 | SP2701-0504 | UK |
| VR100 Series | SK422-0000 | X4020-374A | 50252-0000 | 50253-0000 | SP2701-0504 | UK |
| VF040 Series | SK422-0025 | Included in Service Kit | | | | UK |
| VF060 Series | SK422-0035 | Included in Service Kit | | | | UK |
| VF100 Series | SK422-0045 | Included in Service Kit | | | | UK |

13 Service Parts

SHOWER DRAIN/BILGE AND WASTE PUMPS

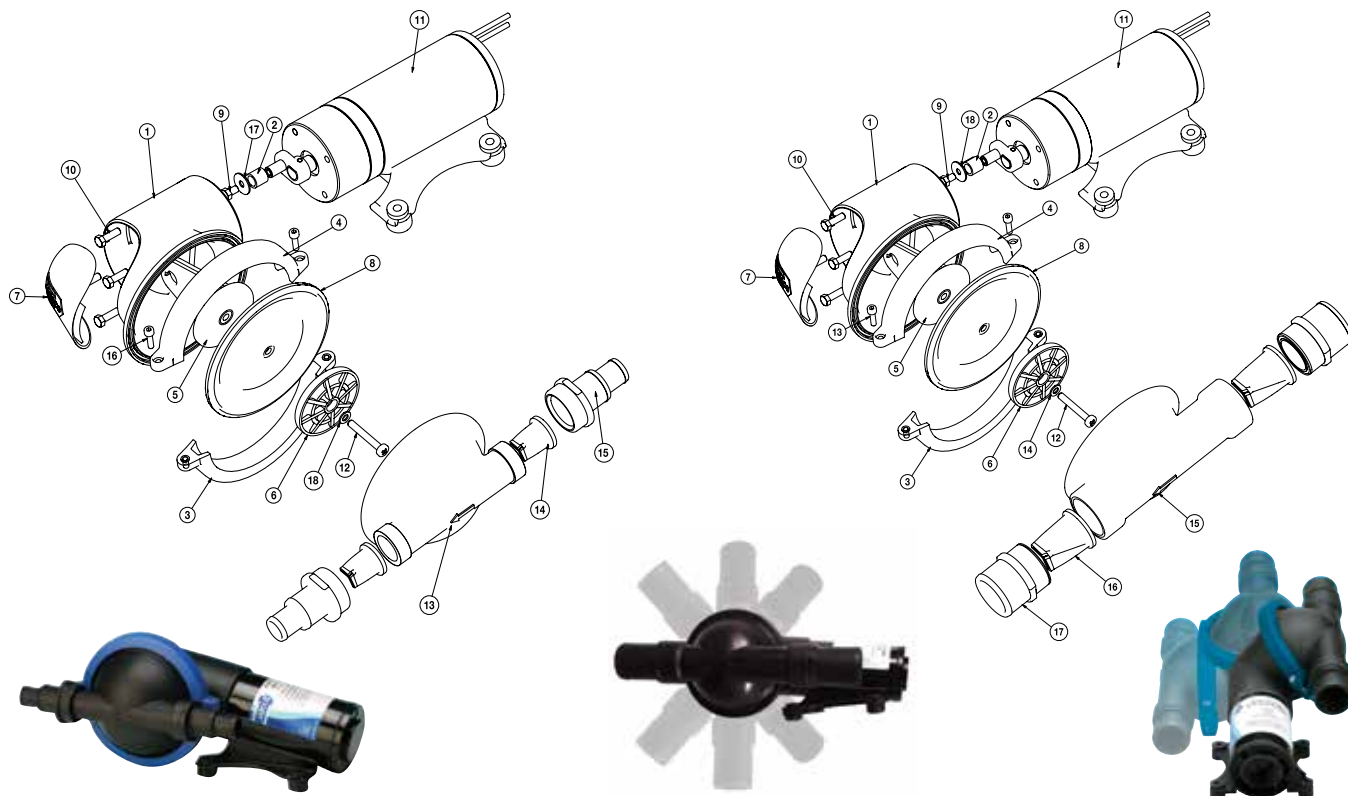


37202-2 SERIES SHOWER DRAIN PUMP

REPAIR KITS AVAILABLE

| KIT | MODEL NUMBER | DESCRIPTION |
|----------|--------------|--------------------|
| A | 50095-1000 | Major Service Kit |
| B | 50096-1012 | Motor Kit 12V DC |
| C | 50096-1024 | Motor Kit 24V DC |
| D | 50097-1000 | Connecting Rod Kit |

| KEY | DESCRIPTION | QTY PER PUMP | MODEL NUMBER | QTY PER REPAIR KIT | | | |
|-----------|--------------------|--------------|--------------|--------------------|---|---|---|
| | | | | A | B | C | D |
| 1 | Motor 12V DC | 1 | | | 1 | | |
| | Motor 24VDC | 1 | | | | 1 | |
| 2 | Eccentric Drive | 1 | | | | | 1 |
| 3 | Bracket | 1 | 50092-1000 | | | | |
| 4 | Bearing | 1 | | | | | 1 |
| 5 | Connecting Rod | 1 | | | | | 1 |
| 6 | Diaphragm Plate | 1 | 50099-1000 | 1 | | | |
| 7 | Diaphragm | 1 | 50099-1000 | 1 | | | |
| 8 | Sealing Washer | 1 | | 1 | | | 1 |
| 9 | Bolt | 1 | | 1 | | | 1 |
| 10 | Diaphragm Ring | 1 | 35788-0000 | | | | |
| 11 | Valve Retainer | 1 | 35816-0000 | 1 | | | |
| 12 | Valve Set | 1 | 30005-0000 | 1 | | | |
| 13 | Body | 1 | 50098-1000 | | | | |
| 14 | Pulsation Dampener | 1 | 37179-0000 | 1 | | | |
| 15 | Grommet | 4 | | 1 | | | |
| 16 | Foot | 1 | 50094-1000 | | | | |
| 17 | Cover | 1 | 50093-1000 | | | | |
| 18 | Grub Screw | 1 | | | | | 1 |
| 19 | Bolt | 4 | | 1 | | | 1 |
| 20 | Lock Washer | 2 | | | 2 | 2 | 1 |
| 21 | Motor Screw | 2 | | | 2 | 2 | 1 |
| 22 | Nut | 4 | | | | | 1 |
| 23 | Screw | 1 | | 1 | | | |
| 24 | Pumpgard™ | 1 | 46200-0000 | | | | |



| 50890 WASTE PUMP | | |
|--------------------------|--------------------------|-----------|
| MODEL NUMBER | VOLTAGE | FUSE SIZE |
| 50890-1000 | 12V DC | 10A |
| 50890-1100 | 24V DC | 5A |
| SERVICE KIT (INCLUDES *) | | |
| SK890 | Service Kit – Waste Pump | |

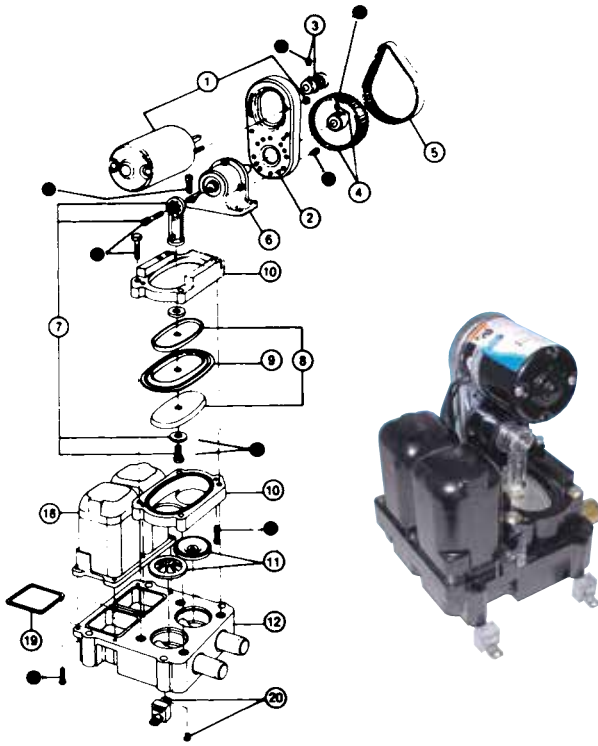
| 50880 SHOWER DRAIN/BILGE PUMP | | |
|-------------------------------|---------------------------------|-----------|
| MODEL NUMBER | VOLTAGE | FUSE SIZE |
| 50880-1000 | 12V DC | 10A |
| 50880-1100 | 24V DC | 5A |
| SERVICE KIT (INCLUDES *) | | |
| SK880 | Service Kit – Shower Drain Pump | |

| KEY | DESCRIPTION | *QTY PER KIT |
|-----|-------------------------|--------------|
| 1 | Bracket | |
| 2 | Bushing | |
| 3 | Clamp Bottom | |
| 4 | Clamp Top | |
| 5 | Connecting Rod | |
| 6 | Connecting Rod Plate | |
| 7 | Cover | 1 |
| 8 | Diaphragm | 1 |
| 9 | Hex Head Screw | |
| 10 | Hex Head Screw | 4 |
| 11 | Motor Assembly | |
| 12 | Screw Recessed Pan Head | 1 |
| 13 | Socket Head Screw | |
| 14 | Washer | 1 |
| 15 | Waste Pump Chamber | |
| 16 | Waste Pump Joker Valve | 2 |
| 17 | Waste Pump Port | 2 |
| 18 | Washer | |

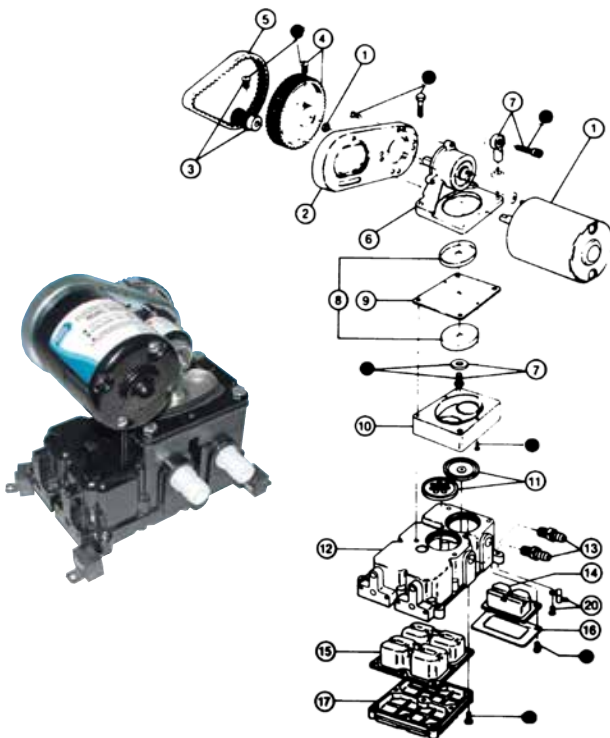
| KEY | DESCRIPTION | *QTY PER KIT |
|-----|---|--------------|
| 1 | Bracket | |
| 2 | Bushing | |
| 3 | Clamp Bottom | |
| 4 | Clamp Top | |
| 5 | Connecting Rod | |
| 6 | Connecting Rod Plate | |
| 7 | Cover | 1 |
| 8 | Diaphragm | 1 |
| 9 | Hex Head Screw | |
| 10 | Hex Head Screw | 4 |
| 11 | Motor Assembly | |
| 12 | Screw Recessed Pan Head | 1 |
| 13 | Shower Drain and Bilge Pump Chamber | |
| 14 | Shower Drain and Bilge Pump Joker Valve | 2 |
| 15 | Shower Drain and Bilge Pump Port | 2 |
| 16 | Socket Head Screw | |
| 17 | Washer | |
| 18 | Washer | 1 |

13 Service Parts

TRADITIONAL PAR PUMPS



| 34600 SERIES (WAS 6600J) BILGE PUMP | | | |
|-------------------------------------|------------------------------|-------------------|-----------|
| KEY | DESCRIPTION | MODEL NUMBER | QTY |
| 1 | Motor Kit 12V DC | 30200-0000 | 1 |
| | Motor Kit 24V DC | 30200-0010 | |
| 2 | Motor Mount | 34628-0000 | 1 |
| 3 | Small Pulley | 37169-0000 | 1 |
| 4 | Large Pulley (with key way) | 37170-0001 | 1 |
| 5 | Belt | 30021-0000 | * 1 |
| 6 | Jack Shaft Assembly | 35037-0001 | 1 |
| 7 | Connecting Rod Assembly | 37172-0001 | 1 |
| 8 | Diaphragm Plate | Top 34640-0000 | 1 |
| | | Bottom 34637-0000 | 1 |
| 9 | Diaphragm | 30012-0000 | * 1 |
| 10 | Retainer | Top 34633-0000 | 1 |
| | | Bottom 34634-0000 | 1 |
| 11 | Valve Set (Inlet and Outlet) | 30002-0000 | * † 1 set |
| 12 | Base Assembly (See †) | 34623-0000 | 1 |
| 18 | Surge Chamber | 34635-0000 | 1 |
| 19 | Gaskets | 37181-0000 | † 1 set |
| 20 | Vibration Pad Kit | 37180-0000 | 1 set |
| 21 | Hardware Kit | 37164-0001 | 1 set |
| | Service Kit (See*) | 30101-0000 | * |

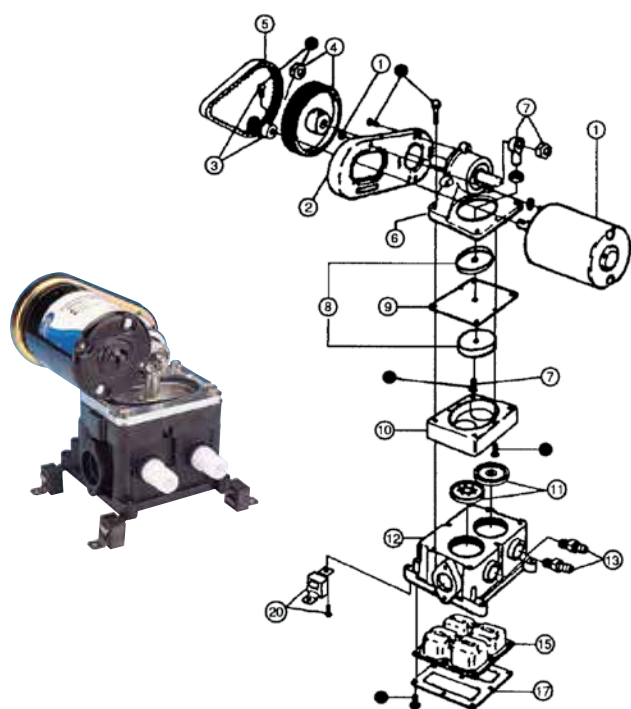


| 36600 SERIES (WAS 6600J) BILGE PUMP | | | |
|-------------------------------------|------------------------------|--------------|-----------|
| KEY | DESCRIPTION | MODEL NUMBER | QTY |
| 1 | Motor Kit 12V DC | 30200-0000 | 1 |
| | Motor Kit 24V DC | 30200-0010 | |
| 2 | Motor Mount | 34628-0000 | 1 |
| 3 | Small Pulley | 37169-0000 | 1 |
| 4 | Large Pulley (with key way) | 37171-0001 | 1 |
| 5 | Belt | 30022-0000 | * 1 |
| 6 | Jack Shaft Assembly | 35691-0001 | 1 |
| 7 | Connecting Rod Assembly | 37173-0001 | 1 |
| 8 | Diaphragm Plate | 35212-0000 | 2 |
| 9 | Diaphragm | 30016-0000 | * 1 |
| 10 | Retainer | 35173-0000 | 1 |
| 11 | Valve Set (Inlet and Outlet) | 30003-0000 | * † 1 set |
| 12 | Base Assembly (See †) | 35630-1100 | † 1 |
| 13 | Ports (Inlet and Outlet) | 37175-0000 | † 1 |
| 14 | Small Pulsation Dampener | 37177-0000 | * † 1 |
| 15 | Pulsation Dampener | 37178-0000 | * † 1 |
| 16 | Small Bottom Plate | 35628-0000 | † 1 |
| 17 | Bottom Plate | 35623-0000 | † 1 |
| 20 | Vibration Pad Kit | 37180-0000 | † 1 set |
| 21 | Hardware Kit | 37165-0000 | 1 set |
| | Service Kit (See*) | 30124-0000 | * |

* Indicates parts contained in Service Kit.

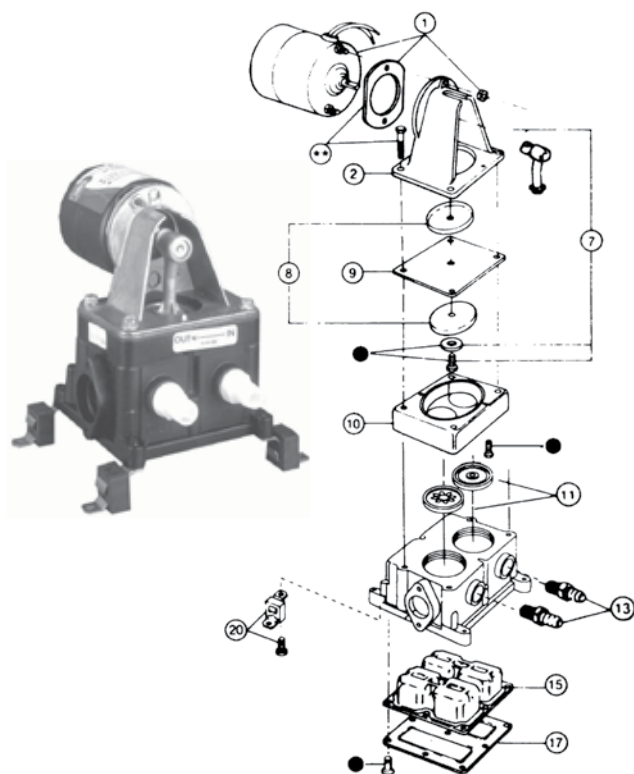
† Indicates parts supplied with Base Assembly.

Note: Jack Shaft Assembly includes new style connecting rod (37173-0001) with 5/16" (8mm) diameter hole and two lock nuts. Previous model pumps use a connecting rod (37173-0000) with a 1/4" (6mm) diameter hole and bolt.



● Indicates items included in Hardware Kit (Key 21).

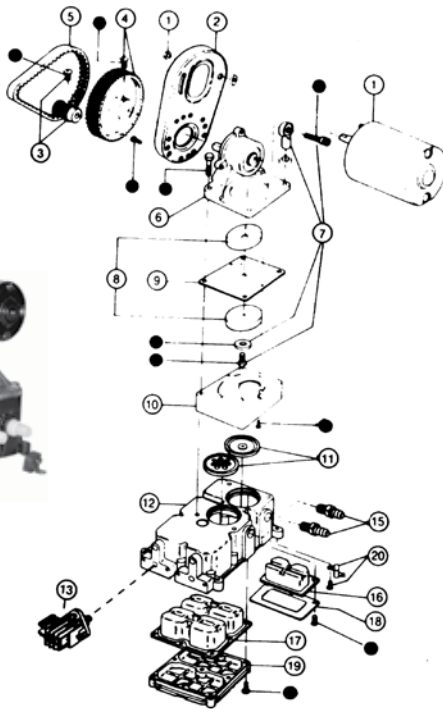
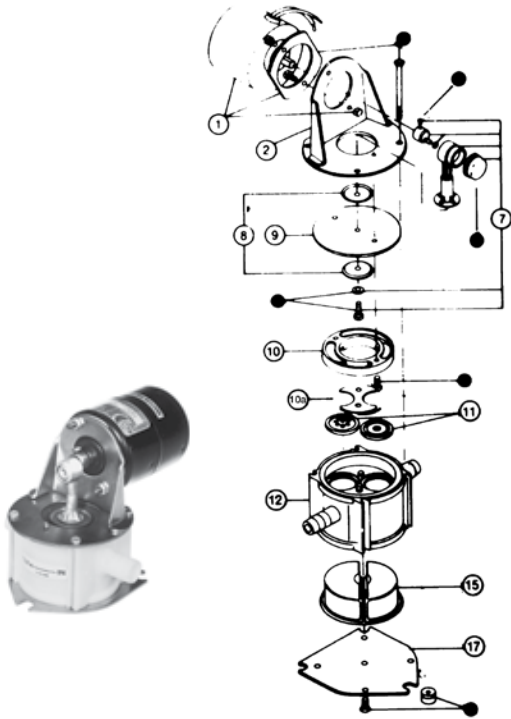
| 36680 SERIES (WAS 6680J) BILGE PUMP | | | |
|-------------------------------------|------------------------------|-----------------------|-----------|
| KEY | DESCRIPTION | MODEL NUMBER | QTY |
| 1 | Motor Kit 12V DC | 30200-0000 | 1 |
| | Motor Kit 24V DC | 30200-0010 | |
| | Motor Kit 32V DC | 30200-0020 | |
| 2 | Motor Mount | 34628-0000 | 1 |
| 3 | Small Pulley | 37169-0000 | 1 |
| 4 | Large Pulley (with key way) | 37171-0001 | 1 |
| 5 | Belt | 30022-0000 | * 1 |
| 6 | Jack Shaft Assembly | 35690-0002 (See Note) | 1 |
| 7 | Connecting Rod Assembly | 37173-0001 | 1 |
| 8 | Diaphragm Plate | 35212-0000 | 2 |
| 9 | Diaphragm | 30016-0000 | * 1 |
| 10 | Retainer | 35173-0000 | 1 |
| 11 | Valve Set (Inlet and Outlet) | 30003-0000 | * † 1 set |
| 12 | Base Assembly (See †) | 44114-1000 | † 1 |
| 13 | Ports (Inlet and Outlet) | 37175-0000 | † 1 |
| 15 | Pulsation Dampener | 44127-1000 | † 1 |
| 17 | Bottom Plate | 35686-0000 | † 1 |
| 20 | Vibration Pad Kit | 43990-0058 | † 1 set |
| 21 | Hardware Kit | 43990-0071 | 1 set |
| | Service Kit (See*) | 43990-0062 | * |



| 36960 SERIES (WAS 6960J) BILGE PUMP | | | | | |
|-------------------------------------|------------------------------|--------------|-----------|--------|------|
| KEY | DESCRIPTION | MODEL NUMBER | QTY | SERIES | |
| | | | | 1000 | 2000 |
| 1 | Motor Kit 12V DC | 30202-0000 | 1 | • | • |
| | Motor Kit 24V DC | 30201-0010 | | | |
| 2 | Motor Mount | 35487-0000 | 1 | • | • |
| 7 | Connecting Rod Assembly | 30040-0000 | * 1 | • | • |
| 8 | Diaphragm Plate | 35688-0000 | 2 | • | • |
| 9 | Diaphragm | 30015-0000 | * 1 | • | • |
| 10 | Retainer | 35455-0000 | 1 | • | • |
| 11 | Valve Set (Inlet and Outlet) | 30003-0000 | * † 1 set | • | • |
| 12 | Base Assembly (See †) | 35620-0000 | † 1 | • | |
| | | 44114-1000 | † 1 | | • |
| 13 | Ports (Inlet and Outlet) | 37175-0000 | † 1 | • | • |
| 15 | Pulsation Dampener | 37178-0000 | † 1 | • | |
| | | 44127-1000 | † 1 | | • |
| 17 | Bottom Plate | 35686-0000 | † 1 | • | • |
| 20 | Vibration Pad Kit | 37180-0000 | † 1 set | • | |
| | | 44990-0058 | † 1 set | | • |
| 21 | Hardware Kit | 37166-0000 | 1 set | • | |
| | | 43990-0060 | 1 set | | • |
| | Service Kit (See*) | 30120-0000 | * | • | |
| | | 43990-0063 | * | | • |

13 Service Parts

TRADITIONAL PAR PUMPS



37202 SERIES 1 (WAS 7202) BILGE PUMP

| KEY | DESCRIPTION | MODEL NUMBER | QTY |
|-----|------------------------------|-------------------------|-------|
| 1 | Motor Kit 12V DC | 30201-0000 (See Note 1) | 1 |
| | Motor Kit 24V DC | 30200-0040 | |
| 2 | Motor Mount | 35797-0000 | 1 |
| 7 | Connecting Rod Assembly | 30040-0000 * | 1 |
| 8 | Diaphragm Plate | 35688-0000 (See Note 2) | 2 |
| 9 | Diaphragm | 37174-0000 * | 1 |
| 10 | Retainer | 35788-0000 | 1 |
| 10a | Retainer Plate | 35816-0000 | 1 |
| 11 | Valve Set (Inlet and Outlet) | 30005-0000 * | 1 set |
| 12 | Base Assembly (See †) | 35795-0000 † | 1 |
| 15 | Pulsation Dampener | 37179-0000 * | 1 |
| 17 | Bottom Plate | 35798-0000 * | 1 |
| 21 | Hardware Kit | 37168-0000 | 1 set |
| | Service Kit (See*) | 37182-0000 * | |

36900 SERIES (WAS 6900J) WATER PUMP

| KEY | DESCRIPTION | MODEL NUMBER | QTY |
|-----|---------------------------------|-------------------------|-------|
| 1 | Motor Kit 12V DC | 30200-0000 | 1 |
| | Motor Kit 24V DC | 30200-0010 | |
| 2 | Motor Mount | 34628-0000 | 1 |
| 3 | Small Pulley | 37169-0000 | 1 |
| 4 | Large Pulley (with key way) | 37170-0001 | 1 |
| 5 | Belt | 30021-0000 * | 1 |
| 6 | Jack Shaft Assembly | 35690-0001 | 1 |
| 7 | Connecting Rod Assembly | 37173-0001 | 1 |
| 8 | Diaphragm Plate | 35212-0000 | 2 |
| 9 | Diaphragm | 30016-0000 * | 1 |
| 10 | Retainer | 35173-0000 | 1 |
| 11 | Valve Set (Inlet and Outlet) | 30004-0000 * † | 1 set |
| 12 | Base Assembly (See †) | 35625-1100 † | 1 |
| 13 | Pressure Switch | 37121-0010 | 1 |
| | | 37121-0000 (See Note 2) | 1 |
| 15 | Ports (Inlet and Outlet) Barb** | 37176-0000 † | 1 set |
| 16 | Small Pulsation Dampener | 37177-0000 * † | 1 |
| 17 | Pulsation Dampener | 37178-0000 * † | 1 |
| 18 | Small Bottom Plate | 35628-0000 † | 1 |
| 19 | Bottom Plate | 35623-0000 † | 1 |
| 20 | Vibration Pad Kit | 37180-0000 † | 1 set |
| 21 | Hardware Kit | 37165-0000 | 1 set |
| | Service Kit (See*) | 30121-0000 * | |

* Indicates parts contained in Service Kit.

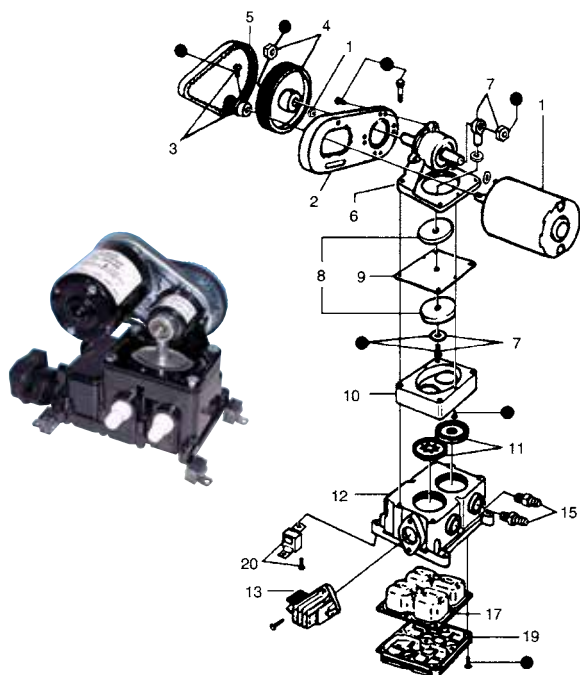
† Indicates parts supplied with Base Assembly.

** 1/2" (13mm) Threaded Outlet Port (37050-0001).
 1/2" (13mm) Threaded Inlet Port (37050-0000).
 1/2" (13mm) Flare Outlet Port (37050-0002).
 1/2" (13mm) Flare Inlet Port (37050-0003).

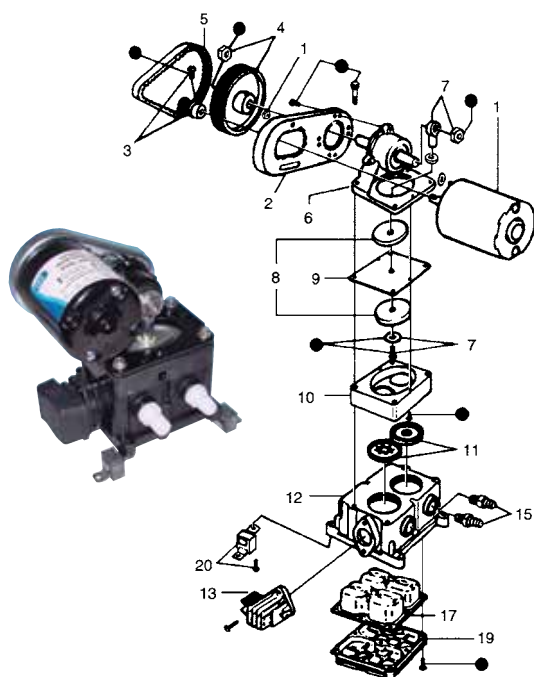
Note 1: For model 37205-0000, use replacement motor number 30202-0000 (12 volt only).

Note 2: Includes Switch and Conversion Kit to mount new type switch onto older style -J and -0000 pumps.

Note 3: Jack Shaft Assembly includes new style connecting rod (37173-0001) with 5/16" (8mm) diameter hole and two lock nuts. Previous model pumps use a connecting rod (37173-0000) with a 1/4" (6mm) diameter hole and bolt.



| 3680 SERIES WATER PUMP | | | |
|------------------------|------------------------------|-------------------------|-------|
| KEY | DESCRIPTION | MODEL NUMBER | QTY |
| 1 | Motor Kit 12V DC | 30200-0000 | 1 |
| | Motor Kit 24V DC | 30200-0010 | |
| | Motor Kit 32V DC | 30200-0020 | |
| 2 | Motor Mount | 34628-0000 | 1 |
| 3 | Small Pulley | 37169-0000 | 1 |
| 4 | Large Pulley (with key way) | 37171-0001 | 1 |
| 5 | Belt | 30022-0000 * | 1 |
| 6 | Jack Shaft Assembly | 35690-0002 (See Note 3) | 1 |
| 7 | Connecting Rod Assembly | 37173-0001 | 1 |
| 8 | Diaphragm Plate | 35212-0000 | 2 |
| 9 | Diaphragm | 30016-0000 * | 1 |
| 10 | Retainer | 35173-0000 | 1 |
| 11 | Valve Set (Inlet and Outlet) | 30003-0000 * † | 1 set |
| 12 | Base Assembly (See †) | 44114-1000 † | 1 |
| 13 | Ports (Inlet and Outlet) | 37175-0000 † | 1 |
| 15 | Pulsation Dampener | 44127-1000 † | 1 |
| 17 | Bottom Plate | 35686-0000 † | 1 |
| 20 | Vibration Pad Kit | 43990-0058 † | 1 set |
| 21 | Hardware Kit | 43990-0071 | 1 set |
| | Service Kit (See*) | 43990-0062 * | |



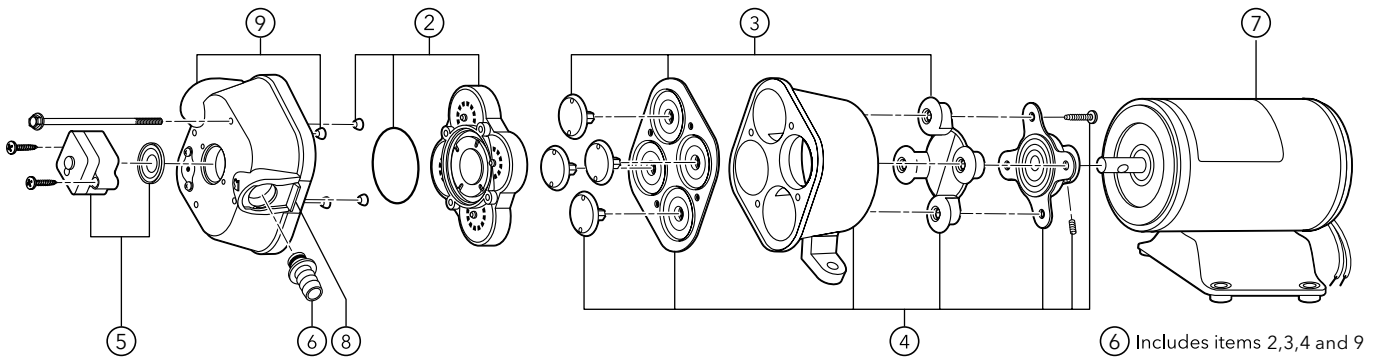
| 3695 SERIES WATER PUMP | | | | | |
|------------------------|------------------------------|----------------|-------|--------|------|
| KEY | DESCRIPTION | MODEL NUMBER | QTY | SERIES | |
| | | | | 1000 | 2000 |
| 1 | Motor Kit 12V DC | 30202-0000 | 1 | • | • |
| | Motor Kit 24V DC | 30201-0010 | | | |
| 2 | Motor Mount | 35487-0000 | 1 | • | • |
| 7 | Connecting Rod Assembly | 30040-0000 * | 1 | • | • |
| 8 | Diaphragm Plate | 35688-0000 | 2 | • | • |
| 9 | Diaphragm | 30015-0000 * | 1 | • | • |
| 10 | Retainer | 35455-0000 | 1 | • | • |
| 11 | Valve Set (Inlet and Outlet) | 30003-0000 * † | 1 set | • | • |
| 12 | Base Assembly (See †) | 35620-0000 † | 1 | • | |
| | | 44114-1000 † | 1 | | • |
| 13 | Ports (Inlet and Outlet) | 37175-0000 † | 1 | • | • |
| 15 | Pulsation Dampener | 37178-0000 † | 1 | • | |
| | | 44127-1000 † | 1 | | • |
| 17 | Bottom Plate | 35686-0000 † | 1 | • | • |
| 20 | Vibration Pad Kit | 37180-0000 † | 1 set | • | |
| | | 44990-0058 † | 1 set | | • |
| 21 | Hardware Kit | 37166-0000 | 1 set | • | |
| | | 43990-0060 | 1 set | | • |
| | Service Kit (See*) | 30120-0000 * | | • | |
| | | 43990-0063 * | | | • |

13 Service Parts

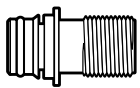
V-FLO 5.0 PUMP



| V-FLO 5.0 PUMP | | | |
|----------------|--------------------------------|--------------|-----|
| KEY | DESCRIPTION | MODEL NUMBER | QTY |
| 2 | Valve Kit | 18911-7030 | 1 |
| 3 | Diaphragm Kit | 18912-3040 | 1 |
| 4 | Lower Housing Kit | 18915-9002 | 1 |
| 5 | Pressure Switch | 37121-0010 | 1 |
| 6 | Service Kit | 18920-9043 | 1 |
| 7 | Motor 12V DC | 18753-5236 | 1 |
| | Motor 24V DC | 18753-5237 | 1 |
| 8 | Side Clips | 30648-1000 | 1 |
| 9 | Pump Head Assembly | 18914-0030 | 1 |
| 10 | Pumpgard™ Strainer (not shown) | 46400-9500 | 1 |

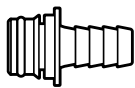


Accessories – Snap-In Port Fittings



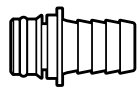
20381-000

QUAD PORT x
1/2" MALE QEST.
STRAIGHT



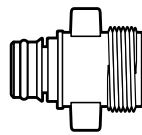
20381-002

QUAD PORT x
1/2" HOSE BARB
STRAIGHT



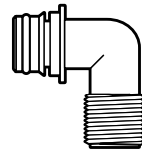
20381-006

QUAD PORT x
3/4" HOSE BARB
STRAIGHT



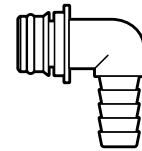
20381-007

QUAD PORT x
GARDEN HOSE
STRAIGHT



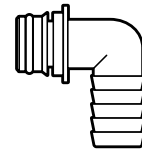
20381-008

QUAD PORT x
1/2" MALE QEST.
90° ELBOW



20381-009

QUAD PORT x
1/2" HOSE BARB
90° ELBOW



20381-010

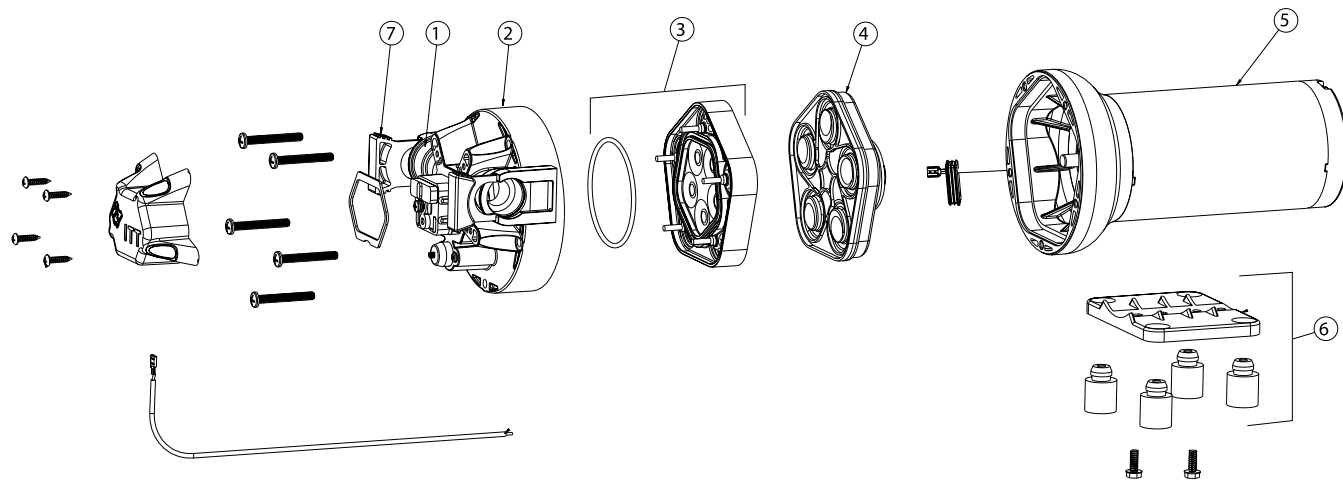
QUAD PORT x
3/4" HOSE BARB
90° ELBOW

Service Parts 13

PAR-MAX PLUS SERIES PUMPS



| PAR-MAX PLUS SERIES PUMPS | | | | | | |
|---------------------------|-------------------------|-----|--------------------------|------------|------------|-----|
| KEY | DESCRIPTION | PSI | 4.0 GPM | 5.0 GPM | 6.0 GPM | QTY |
| 1 | Switch | 25 | 18916-1025 | 18916-1025 | 18916-1025 | 1 |
| | | 40 | 18916-1040 | 18916-1040 | 18916-1040 | 1 |
| | | 60 | 18916-1060 | 18916-1060 | 18916-1060 | 1 |
| 2 | Upper Housing/ Switch | 25 | 18753-8004 | 18753-8004 | 18753-8007 | 1 |
| | | 40 | 18753-8005 | 18753-8005 | 18753-8008 | 1 |
| | | 60 | 18753-8006 | 18753-8006 | 18753-8009 | 1 |
| 3 | Valve Housing | | 18753-8001 | 18753-8001 | 18753-8001 | 1 |
| 4 | Diaphragm | | Inquire with the factory | | | |
| 5 | Motor 12V DC | | 18753-9300 | 18753-9299 | 18753-9298 | 1 |
| | Motor 24V DC | | 18753-9240 | 18753-9239 | 18753-9238 | 1 |
| 6 | Baseplate with Grommets | | 18753-8003 | 18753-8003 | 18753-8003 | 1 |

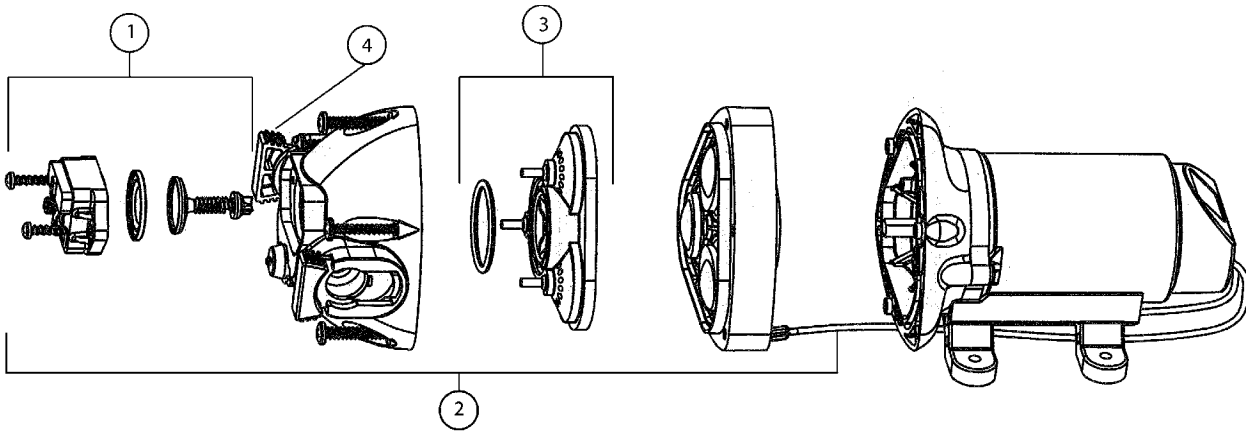


13 Service Parts

PAR-MAX SERIES & PAR-MATE PUMPS

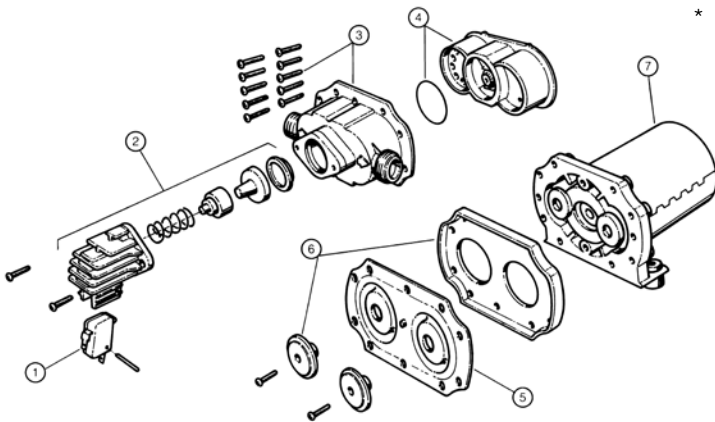


| PAR-MAX 1.9 AND 2.9 WATER SYSTEM PUMPS | | | | | | |
|--|----------------------|-----|--------------|--------------|--------------|-----|
| KEY | DESCRIPTION | PSI | 31395 SERIES | 31295 SERIES | 31331 SERIES | QTY |
| 1 | Pressure Switch | 25 | 18916-1025 | 18916-1025 | N/A | 1 |
| | | 40 | 18916-1040 | | N/A | 1 |
| | | 50 | 18916-1050 | | N/A | 1 |
| 2 | Pump Head Assembly | 25 | 18914-1025 | 18914-0025 | 18914-1000 | 1 |
| | | 40 | 18914-1040 | | | 1 |
| | | 50 | 18914-1050 | | | 1 |
| 3 | Check Valve Assembly | | 18911-1030 | 18911-1030 | 18911-1030 | 1 |
| 4 | Side Clips (pair) | | 30647-1000 | 30647-1000 | 30647-1000 | 1 |



| 44010 AND 44020 SERIES PAR-MATE PUMPS (DISC. MODELS) | | | |
|--|----------------------|---------------------|-----|
| KEY | DESCRIPTION | MODEL NUMBER | QTY |
| 1 | Micro Switch | 18753-0141 | 1 |
| 2 | High Pressure Switch | 37121-0010 * | 1 |
| | Low Pressure Switch | 44814-1000 * | 1 |
| 3 | Body Kit 44010 | No Longer Available | 1 |
| | Body Kit 44020 | No Longer Available | 1 |
| 4 | Valve Kit | No Longer Available | 1 |
| 5 | Diaphragm Kit | 44017-2000 | 1 |
| 6 | Plate/Piston Kit | No Longer Available | 1 |
| 7 | Motor Kit 12V DC | No Longer Available | 1 |
| | Motor Kit 24V DC | No Longer Available | 1 |

* Models 44010-2010 and 44010-2011 use low pressure switches. Model 44010-2000 uses high pressure switch. Model 44020 Series is not fitted with a pressure switch.



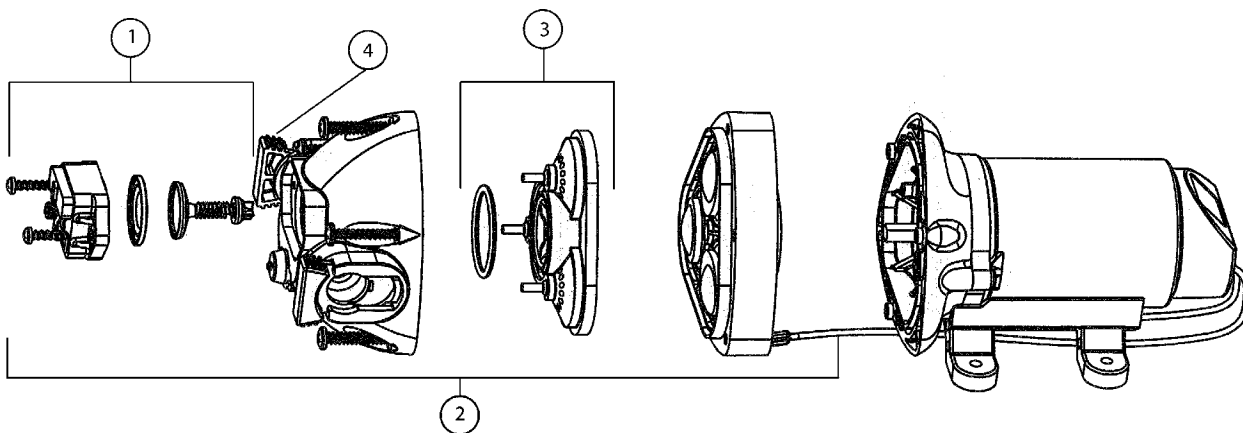
Service Parts 13

PAR-MAX 4.0 GPM WASHDOWN PUMP



| PAR-MAX 4.0 GPM WASHDOWN PUMP | | | |
|-------------------------------|--------------------------|--------------|-----|
| KEY | DESCRIPTION | MODEL NUMBER | QTY |
| 1 | Pressure Switch | 18916-1060 | 1 |
| 2 | Pump Head | 18914-1060 | 1 |
| 3 | Valve Kit | 18911-1030 | 1 |
| 4 | Side Clips | 30647-1000 | 2 |
| 5 | Motor Kit 12V DC | 18919-0187 | 1 |
| | Motor Kit 24V DC | 18919-1080 | 1 |
| 7 | Pumpgard™ Strainer* | 46400-9500 | 1 |
| | Spray Nozzle US* | 30703-1000 | 1 |
| | Spray Nozzle EC Adapter* | 30704-1000 | 1 |
| 8 | Hose Coil, 25' (7.6m)* | 31910-3015 | 1 |

* Not shown in drawing.



13 Service Parts

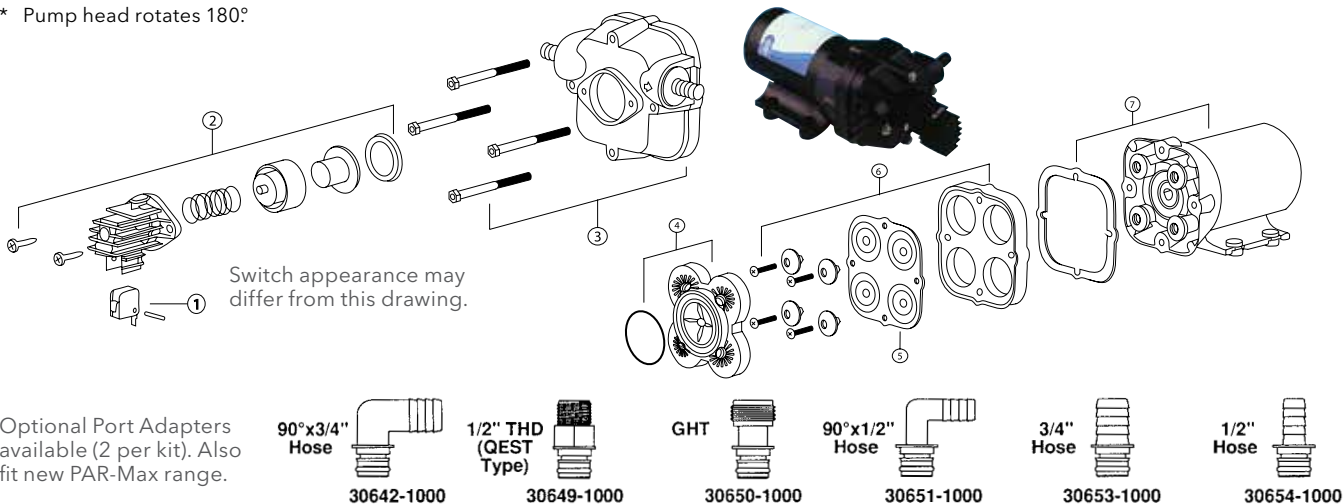
OLD 30XXX SERIES PAR-MAX PUMPS



| WATER SYSTEM PUMPS | | | | | | |
|---------------------|-----------------------------|--------------|--------------|--------------|--------------|-----|
| KEY | DESCRIPTION | 30600 SERIES | 30620 SERIES | 30710 SERIES | 30720 SERIES | QTY |
| 1 | Micro Switch | 18753-0141 | 18753-0141 | 18753-0141 | 18753-0141 | 1 |
| 2 | Pressure Switch | 37121-0010 | 37121-0010 | 37121-0010 | N/A | 1 |
| | Low Pressure Switch | 44814-1000 | 44814-1000 | N/A | N/A | 1 |
| 3 | Body Kit | 30608-1000 | 30608-1000 | 30608-1000 | 30608-1000 | 1 |
| 4 | Valve Kit | 30613-1001 | 30613-1001 | 30613-1001 | 30613-1001 | 1 |
| 5 | Diaphragm Kit | 30617-1000 | 30617-1000 | 30617-1000 | 30617-1000 | 1 |
| 6 | Plate/Piston Kit | 30682-1000 | 30682-1000 | 30682-1000 | 30682-1000 | 1 |
| 7 | Motor Kit 12V DC EMC | 18753-0575 | 18753-0577 | 18753-0572 | 18753-0577 | 1 |
| | Motor Kit 12V DC | 18753-0444 | 18753-0463 | N/A | 18753-0463 | 1 |
| | Motor Kit 24V DC EMC | 18753-0576 | 18753-0578 | 18753-0573 | 18753-0578 | 1 |
| | Motor Kit 24V DC | 18753-0451 | 18753-0464 | N/A | 18753-0464 | 1 |
| Standard Ports Kits | 1/2" (13mm) Barb | 30654-1000 | 30654-1000 | N/A | N/A | 2 |
| | 1/2" (13mm) Threaded (QEST) | 30649-1000 | 30649-1000 | N/A | N/A | 2 |
| | 3/4" (19mm) Barb | | | 30653-1000 | 30653-1000 | 2 |
| | Pumpgard™ Strainer | 46400-0002 | 46400-0002 | 46400-0002 | 46400-0002 | 1 |
| | Spray Nozzle | N/A | N/A | 30703-1000 | N/A | 1 |

| BILGE/WASHDOWN PUMPS | | | | | | | |
|----------------------|-----------------------------|--------------|---------------|-------------------------|-------------------------|--------------|-----|
| KEY | DESCRIPTION | 30621 SERIES | 30631 SERIES* | 30700-00X2 & 30700-00X4 | 30700-03X2 & 30700-03X4 | 30705 SERIES | QTY |
| 1 | Micro Switch | 18753-0141 | N/A | 18753-0141 | 18753-0141 | N/A | 1 |
| 2 | Pressure Switch | 37121-0010 | N/A | 44050-1000 | 44050-1000 | N/A | 1 |
| | Low Pressure Switch | 44814-1000 | N/A | N/A | N/A | N/A | 1 |
| 3 | Body Kit | 30608-1000 | 30608-1001 | 30608-1000 | 30608-1000 | 30608-1001 | 1 |
| 4 | Valve Kit | 30613-1001 | 30613-1001 | 30613-1001 | 30613-1001 | 30613-1001 | 1 |
| 5 | Diaphragm Kit | 30617-1000 | 30617-1000 | 30617-1000 | 30617-1000 | 30617-1000 | 1 |
| 6 | Plate/Piston Kit | 30682-1000 | 30682-1000 | 30682-1000 | 30682-1000 | 30682-1000 | 1 |
| 7 | Motor Kit 12V DC EMC | 18753-0577 | 18753-0579 | 18753-0579 | 18753-0579 | 18753-0579 | 1 |
| | Motor Kit 12V DC | 18753-0463 | 18753-0489 | 18753-0489 | 18753-0489 | 18753-0489 | 1 |
| | Motor Kit 24V DC EMC | 18753-0578 | 18753-0595 | 18753-0595 | 18753-0595 | 18753-0595 | 1 |
| | Motor Kit 24V DC | 18753-0464 | 18753-0490 | 18753-0490 | 18753-0490 | 18753-0490 | 1 |
| Standard Ports Kits | 1/2" (13mm) Barb | 30654-1000 | N/A | | 30654-1000 | N/A | 2 |
| | 1/2" (13mm) Threaded (QEST) | 30649-1000 | N/A | | N/A | N/A | 2 |
| | 3/4" (19mm) Barb | 30653-1000 | 30653-1000 | 30653-1000 | | 30653-1000 | 2 |
| | Pumpgard™ Strainer | 36400-0000 | 46200-0000 | 46400-0000 | 46400-0002 | 46200-0000 | 1 |
| | Spray Nozzle | | N/A | 30703-1000 | 30704-1000 | N/A | 1 |

* Pump head rotates 180°



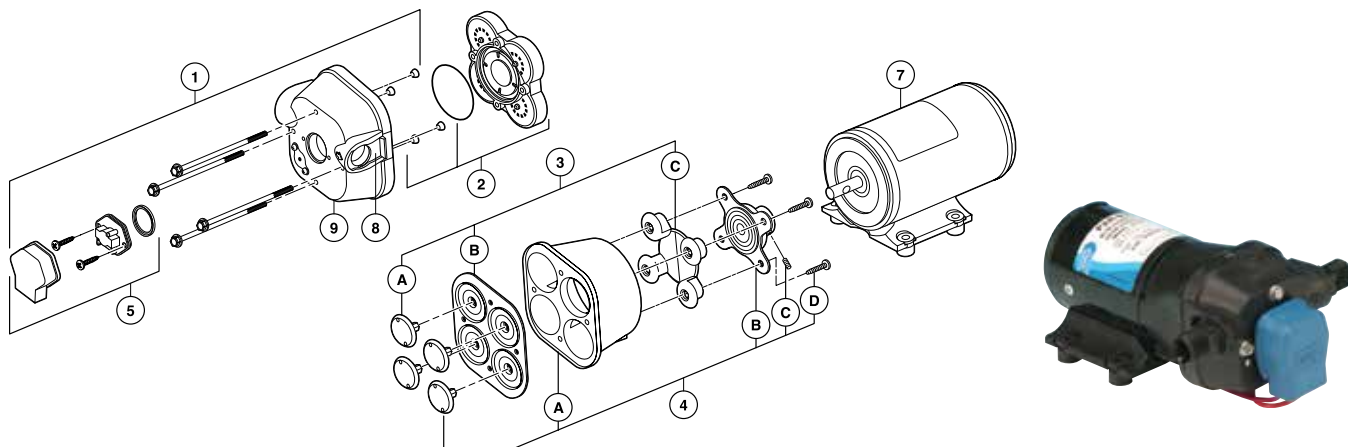
Service Parts 13

NEW 31XXX SERIES PAR-MAX PUMPS

| PAR-MAX 1 AUTOMATIC WATER SYSTEM PUMP & MANUAL DEMAND PUMP | | | | | | | | |
|--|------------|------------|------------|-------------|--------------|------------------|------------------|----------|
| PUMP SERVICE PARTS | | | | STRAINERS | | | | |
| DESCRIPTION | MODEL NO. | 42630-2900 | 42631-2900 | PUMP SERIES | STRAINER NO. | INLET | OUTLET | SCREEN |
| Pump Head Repair Kit | 42632-0000 | • | • | 42630-2900 | 36400-0003 | 3/8" (10mm) Barb | 3/8" (10mm) Barb | 40# Mesh |
| Motor/Housing Kit | 42633-0000 | • | • | 42631-2900 | 36400-0003 | 3/8" (10mm) Barb | 3/8" (10mm) Barb | 40# Mesh |
| Pressure Switch Assy. | 42634-0000 | • | | | | | | |

| PAR-MAX 2+, PAR-MAX 3 & PAR-MAX 4 WATER SYSTEM PUMPS | | | | | | |
|--|-------------------------------|--------------|--------------|--------------|--------------|-----|
| KEY | DESCRIPTION | 31595 SERIES | 31600 SERIES | 31620 SERIES | 31630 SERIES | QTY |
| 1 | Upper Housing XXXXX-0092 | 18910-4040 | 18910-4040 | 18910-4040 | 18910-4040 | 1 |
| | Upper Housing XXXXX-0094 | 18910-4040 | 18910-4040 | 18910-4040 | 18910-4040 | 1 |
| | Upper Housing XXXXX-0292 | 18910-4025 | 18910-4025 | 18910-4025 | 18910-4025 | 1 |
| | Upper Housing XXXXX-0294 | 18910-4025 | 18910-4025 | 18910-4025 | 18910-4025 | 1 |
| 2 | Valve Kit | 18911-7030 | 18911-7030 | 18911-7030 | 18911-7030 | 1 |
| 3 | Diaphragm Kit | 18912-3040 | 18912-3040 | 18912-3040 | 18912-3040 | 1 |
| 4 | Lower Housing Kit | 18915-9000 | 18915-9002 | 18915-9002 | 18915-9002 | 1 |
| 5 | Pressure Switch XXXXX-0092 | 37121-0010 | 37121-0010 | 37121-0010 | 37121-0010 | 1 |
| | Pressure Switch XXXXX-0094 | 37121-0010 | 37121-0010 | 37121-0010 | 37121-0010 | 1 |
| | Pressure Switch XXXXX-0292 | 44814-1000 | 44814-1000 | 44814-1000 | 44814-1000 | 1 |
| | Pressure Switch XXXXX-0294 | 44814-1000 | 44814-1000 | 44814-1000 | 44814-1000 | 1 |
| 6 | Service Kit* | 18920-9042 | 18920-9043 | 18920-9043 | 18920-9043 | 1 |
| 7 | Motor Kit 12V DC, EMC Comp | 18919-0134 | 18919-0131 | 18919-0132 | 18919-0133 | 1 |
| | Motor Kit 24V DC, EMC Comp | 18919-1055 | 18919-1052 | 18919-1053 | N/A | 1 |
| 8 | Slide Clips | 30648-1000 | 30648-1000 | 30648-1000 | 30648-1000 | 1 |
| 9 | Pump Head Assy. XXXXX-0092 | 18914-6240 | 18914-6340 | 18914-6340 | 18914-6340 | 1 |
| | Pump Head Assy. XXXXX-0094 | 18914-6240 | 18914-6340 | 18914-6340 | 18914-6340 | 1 |
| | Pump Head Assy. XXXXX-0292 | 18914-6225 | 18914-6325 | 18914-6325 | 18914-6325 | 1 |
| | Pump Head Assy. XXXXX-0294 | 18914-6225 | 18914-6325 | 18914-6325 | 18914-6325 | 1 |
| | Pumpgard™ Strainer w/ Support | – | – | – | 36400-9000 | 1 |

* Service Kit includes Keys 2; 3; 4B, C and D; and 8.



Old 30XXX & New 31XXX Series PAR-Max Pumps

13 Service Parts

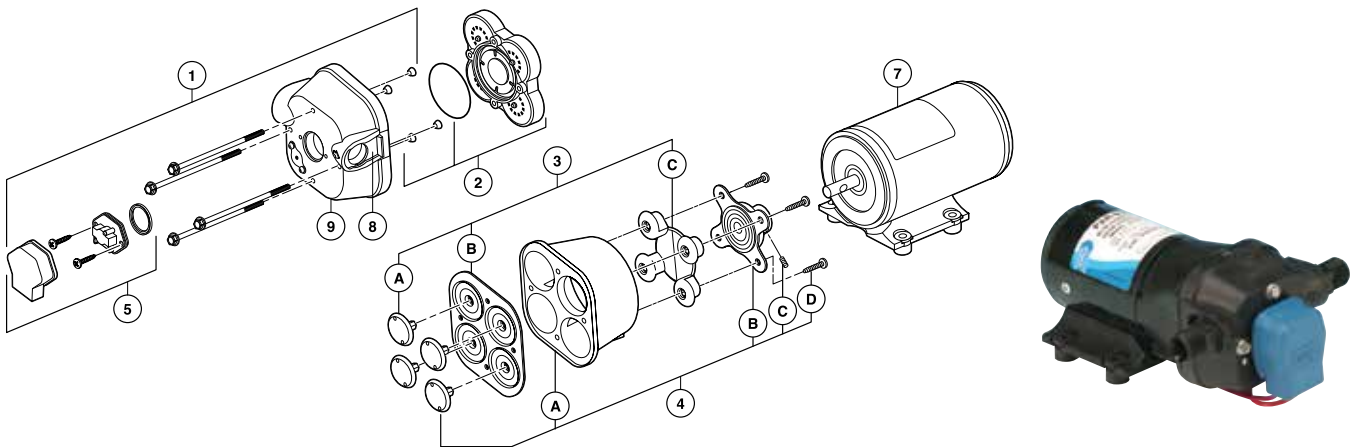
NEW 31XXX SERIES PAR-MAX PUMPS



| PAR-MAX 3 & PAR-MAX 4 WASHDOWN/BAITWELL & SHOWER DRAIN/GENERAL PURPOSE PUMPS | | | | | | | |
|--|----------------------------|--------------|--------------|----------------|--------------|--------------|-----|
| KEY | DESCRIPTION | 31605 SERIES | 31610 SERIES | 31631 SERIES** | 31705 SERIES | 31700 SERIES | QTY |
| 1 | Upper Housing | 18910-4050 | 18910-4000 | 18910-4000 | 18910-4000 | 18910-4050 | 1 |
| 2 | Valve Kit | 18911-7030 | 18911-7010 | 18911-7010 | 18911-7010 | 18911-7030 | 1 |
| 3 | Diaphragm Kit | 18912-3040 | 18912-3050 | 18912-3050 | 18912-3050 | 18912-3040 | 1 |
| 4 | Lower Housing Kit | 18915-9002 | 18915-9005 | 18915-9005 | 18915-9005 | 18915-9002 | 1 |
| 5 | Pressure Switch | 44050-1000 | N/A | N/A | N/A | 44050-1000 | 1 |
| 6 | Service Kit* | 18920-9043 | 18920-9053 | 18920-9053 | 18920-9053 | 18920-9043 | 1 |
| 7 | Motor Kit 12V DC, EMC Comp | 18919-0139 | 18919-0139 | 18919-0140 | 18919-0140 | 18919-0140 | 1 |
| | Motor Kit 24V DC, EMC Comp | 18919-1061 | 18919-1061 | 18919-1062 | 18919-1062 | 18919-1062 | 1 |
| 8 | Slide Clips | 30648-1000 | 30648-1000 | 30648-1000 | 30648-1000 | 30648-1000 | 1 |
| 9 | Pump Head Assembly | 18914-6350 | 18914-6300 | 18914-6300 | 18914-6300 | 18914-6350 | 1 |
| | Pumpgard™ Strainer US | 46400-0000 | 46400-0000 | 46400-0000 | 46400-0000 | 46400-0000 | 1 |
| | Pumpgard™ Strainer EC | 46400-0002 | 46400-0002 | 46400-0002 | 46400-0002 | 46400-0002 | 1 |
| | Spray Nozzle US | 30703-1000 | – | – | – | 30703-1000 | 1 |
| | Spray Nozzle EC | 30704-1000 | – | – | – | 30704-1000 | 1 |

* Service Kit includes Keys 2; 3; 4B, C and D; and 8.

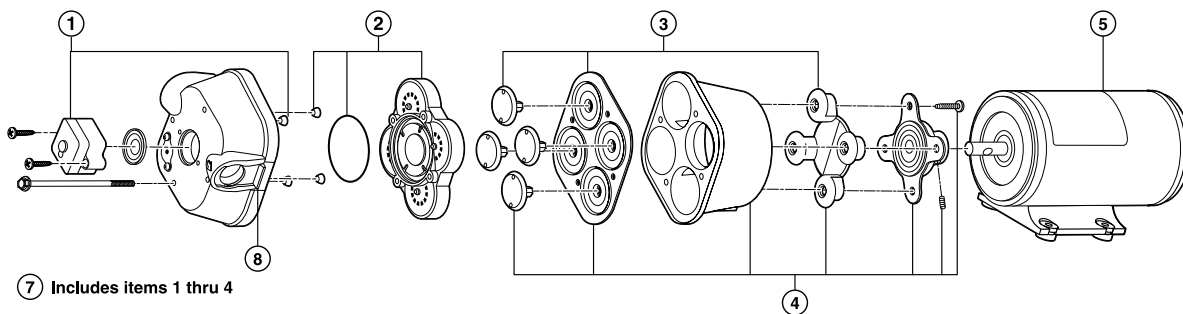
** Pump head rotates 180°



Service Parts 13

SENSOR MAX™ VSD & DUAL MAX PUMPS

| SENSOR MAX™ VSD | | | |
|-----------------|--------------------------------------|------------|------------|
| KEY | DESCRIPTION | 31750 | 31755 |
| 2 | Check Valve Assembly | 18911-7030 | 18911-7030 |
| 3 | Diaphragm Assembly (includes screws) | 18912-3040 | 18912-3040 |
| 4 | Lower Housing Assembly | 18915-9002 | 18915-9002 |
| 9 | Pumpgard™ | 46400-9500 | 46400-9500 |



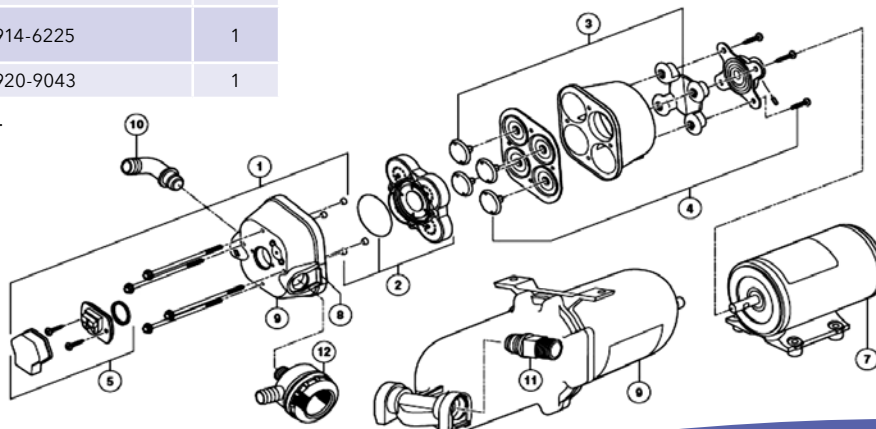
| DUAL MAX 31670-0092 (12V) & 31670-0094 (24V) | | | |
|--|--|--------------|-----|
| KEY | DESCRIPTION | MODEL NUMBER | QTY |
| 1 | Upper Housing, 40 psi | 18910-4040 | 1 |
| | Lower Housing, 25 psi | 18753-0724 | 1 |
| 2 | Valve Kit | 18911-7030 | * |
| 3 | Diaphragm Kit | 18912-3040 | * |
| 4 | Lower Housing Kit | 18915-9002 | * |
| 5 | Pressure Switch - Upper Pump, 40 psi | 18916-0040 | 1 |
| | Pressure Switch - Lower Pump, 25 psi | 18916-0025 | 1 |
| 7 | Motor Kit - Upper and Lower Pump | 18753-0721 | 2 |
| 8 | Slide Clips | 18753-0722 | * |
| 9 | Accumulator | 30573-0000 | 1 |
| 10 | Port Kit, 3/4" (19mm) Elbow | 30642-1000 | 4 |
| 11 | Port Kit, 1/2" (13mm) NPT(M) | 30649-1000 | 2 |
| 12 | Strainer | 18753-0723 | 2 |
| | Pumphead Complete - Upper Pump, 40 psi | 18914-6340 | 1 |
| | Pumphead Complete - Lower Pump, 25 psi | 18914-6225 | 1 |
| | Service Kit | 18920-9043 | 1 |



NOTE

When replacing upper pump, it is necessary to remove body, rotate 180° and reassemble. Then remove pressure switch body, rotate 180° and reassemble.

* Service Kit includes Keys 2, 3, 4 and 8.

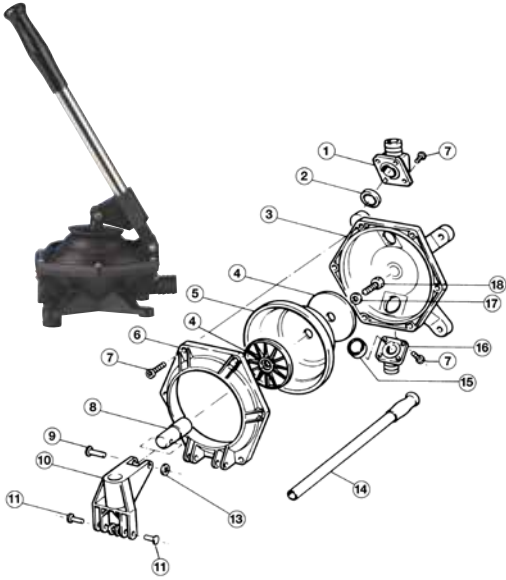


13 Service Parts

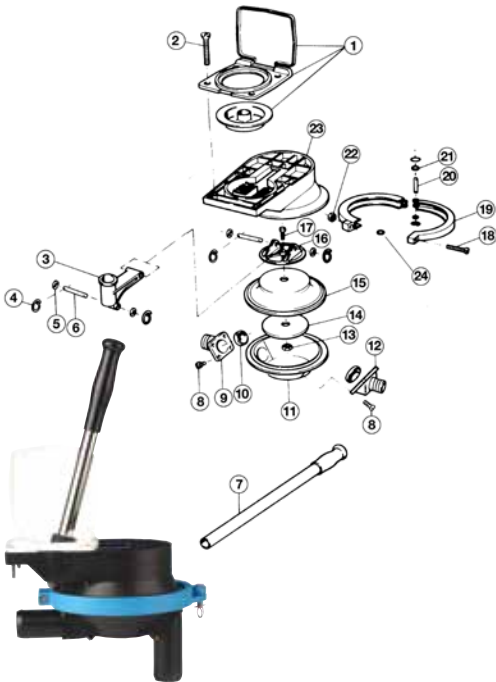
AMAZON MANUAL DIAPHRAGM PUMPS



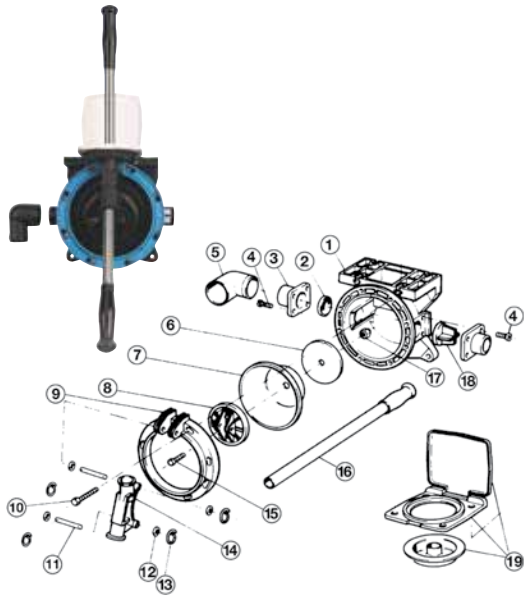
| REPAIR KITS AVAILABLE | | | 29240-0000 BULKHEAD | | | | | | |
|-----------------------|--------------|-------------------------|---------------------|--------------------|--------------|--------------|--------------------|---|---|
| KIT | MODEL NUMBER | DESCRIPTION | KEY | DESCRIPTION | QTY PER PUMP | MODEL NUMBER | QTY PER REPAIR KIT | | |
| A | B | C | | | | | A | B | C |
| A | 29246-1000 | Major Service Kit | 1 | Outlet Port | 1 | | | 1 | |
| B | 29241-1000 | Ports Kit | 2 | Outlet Valve | 1 | | 1 | 1 | |
| C | 29243-1000 | Clamp Ring & Rocker Kit | 3 | Body | 1 | 29242-1000 | | | |
| | | | 4 | Diaphragm Plate | 2 | | | | 2 |
| | | | 5 | Diaphragm | 1 | | 1 | | |
| | | | 6 | Clamp Ring | 1 | | | | 1 |
| | | | 7 | Screw | 14 | | 2 | 2 | 3 |
| | | | 8 | Connecting Rod | 1 | | | | 1 |
| | | | 9 | Clevis Pin (long) | 1 | | | | 1 |
| | | | 10 | Rocker | 1 | | | | 1 |
| | | | 11 | Clevis Pin (short) | 1 | | | | 1 |
| | | | 13 | Washer | 1 | | | | 1 |
| | | | 14 | Handle | 1 | 29267-1000 | | | |
| | | | 15 | Inlet Valve | 1 | | 1 | 1 | |
| | | | 16 | Inlet Port | 1 | | | 1 | |
| | | | 17 | Washer | 1 | | 1 | | 1 |
| | | | 18 | Bolt | 1 | | | | 1 |



| REPAIR KITS AVAILABLE | | | 29250 SERIES THRUDECK | | | | | | | |
|-----------------------|--------------|-------------------------|-----------------------|-------------------------|--------------|--------------|--------------------|---|---|---|
| KIT | MODEL NUMBER | DESCRIPTION | KEY | DESCRIPTION | QTY PER PUMP | MODEL NUMBER | QTY PER REPAIR KIT | | | |
| A | B | C | | | | | D | A | B | C |
| A | 29256-1000 | Major Service Kit | 1 | Through Deck Kit | 1 | 29279-0000 | | | | |
| B | 29241-1000 | Ports Kit 1" (25mm) | 2 | Screw | 4 | | | | | |
| | 29241-1010 | Ports Kit 1-1/2" (38mm) | 3 | Rocker | 1 | | | | | 1 |
| C | 29252-1000 | Clamp Ring Assembly | 4 | Ring Clip | 6 | | | 2 | | 4 |
| D | 29254-1000 | Rocker Assembly | 5 | Washer | 4 | | | | | 4 |
| | | | 6 | Clevis Pin (long) | 2 | | | | | 2 |
| | | | 7 | Handle | 1 | 29267-1000 | | | | |
| | | | 8 | Screw | 8 | | 2 | 2 | | |
| | | | 9 | Outlet Port | 1 | | | 1 | | |
| | | | 10 | Flap Valve | 2 | | 2 | 2 | | |
| | | | 11 | Lower Body | 1 | | | | | |
| | | | 12 | Inlet Port | 1 | | | 1 | | |
| | | | 13 | Nyloc Nut | 1 | | 1 | | | 1 |
| | | | 14 | Diaphragm Plate (lower) | 1 | | | | | 1 |
| | | | 15 | Diaphragm | 1 | | 1 | | | |
| | | | 16 | Diaphragm Plate (upper) | 1 | | | | | 1 |
| | | | 17 | Bolt | 1 | | | | | 1 |
| | | | 18 | Screw | 1 | | 1 | | 1 | |
| | | | 19 | Diaphragm Clamp Ring | 2 | | | | 2 | |
| | | | 20 | Clevis Pin (short) | 1 | | | | 1 | |
| | | | 21 | Washer | 2 | | | | 2 | |
| | | | 22 | Nut | 1 | | | | 1 | |
| | | | 23 | Upper Body | 1 | | | | | |
| | | | 24 | O-Ring | 1 | | 1 | | 1 | |

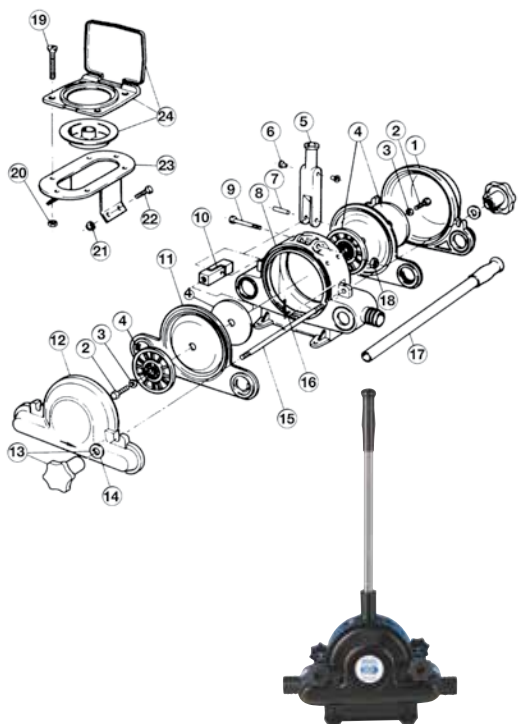


| REPAIR KITS AVAILABLE | | |
|-----------------------|--------------|-------------------------|
| KIT | MODEL NUMBER | DESCRIPTION |
| A | 29276-1000 | Major Service Kit |
| B | 29275-1000 | Ports Kit |
| C | 29272-1000 | Clamp Ring & Rocker Kit |



| 29270-0000 UNIVERSAL | | | | | | |
|----------------------------------|-------------------------|--------------|--------------|--------------------|---|---|
| KEY | DESCRIPTION | QTY PER PUMP | MODEL NUMBER | QTY PER REPAIR KIT | | |
| | | | | A | B | C |
| 1 | Body | 1 | 29271-1000 | | | |
| 2 | Inlet Valve | 1 | | 1 | 1 | |
| 3 | Port | 2 | | | 2 | |
| 4 | Screw | 8 | | 3 | 2 | |
| 5 | Push Fit Elbow | 1 | 29266-1000 | | | |
| 6 | Diaphragm Plate (inner) | 1 | | | | 1 |
| 7 | Diaphragm | 1 | | 1 | | |
| 8 | Diaphragm Plate (outer) | 1 | | | | 1 |
| 9 | Clamp Ring | 1 | | | | 1 |
| 10 | Screw | 8 | | 3 | | 3 |
| 11 | Pivot Pin | 2 | | | | 1 |
| 12 | Washer | 4 | | 1 | | 2 |
| 13 | Ring Clip | 4 | | 1 | | 2 |
| 14 | Rocker | 1 | | | | 1 |
| 15 | Bolt | 1 | | | | 1 |
| 16 | Handle | 1 | 29267-1000 | | | |
| 17 | Nyloc Nut | 1 | | 1 | | 1 |
| 18 | Outlet Valve | 1 | | 1 | 1 | |
| Optional Extras Available | | | | | | |
| 19 | Through Deck Kit | | 29279-0000 | | | |

| REPAIR KITS AVAILABLE | | |
|-----------------------|--------------|-------------------|
| KIT | MODEL NUMBER | DESCRIPTION |
| A | 29286-1000 | Major Service Kit |
| B | 29283-1000 | Body Kit |
| C | 29284-1000 | Rocker Kit |



| 29280-0000 WARRIOR | | | | | | |
|----------------------------------|------------------------|--------------|--------------|--------------------|---|---|
| KEY | DESCRIPTION | QTY PER PUMP | MODEL NUMBER | QTY PER REPAIR KIT | | |
| | | | | A | B | C |
| 1 | Left Hand Cover Plate | 1 | 29281-1000 | | | |
| 2 | Bolt (Diaphragm Plate) | 2 | | | | 2 |
| 3 | Washer | 2 | | 1 | | 2 |
| 4 | Diaphragm Plate | 4 | | | | 4 |
| 5 | Rocker Arm | 1 | | | | 1 |
| 6 | Bushing | | | | | 2 |
| 7 | Pivot Pin | 1 | | | | 1 |
| 8 | Body | 1 | | | 1 | |
| 9 | Bolt (Rocker Assembly) | 1 | | | | 1 |
| 10 | Connecting Rod | 1 | | | | 1 |
| 11 | Diaphragm | 2 | | 2 | | |
| 12 | Right Hand Cover Plate | 1 | 29282-1000 | | | |
| 13 | Knob & Washer Assembly | 4 | 29288-1000 | | | |
| 14 | Washer (Stud) | 4 | | 2 | | |
| 15 | Long Stud | 2 | | | 2 | |
| 16 | Roll Pin | 2 | | | 2 | |
| 17 | Handle | 1 | 29287-1000 | | | |
| 18 | Nut (Rocker Assembly) | 1 | | | | 1 |
| Optional Extras Available | | | | | | |
| 19 | Screw | 6 | 29289-0000 | | | |
| 20 | Nut | 6 | | | | |
| 21 | Nut | 4 | | | | |
| 22 | Bolt | 4 | | | | |
| 23 | Underdeck Bracket | 1 | | | | |
| 24 | Through Deck Kit | 1 | 29279-0000 | | | |

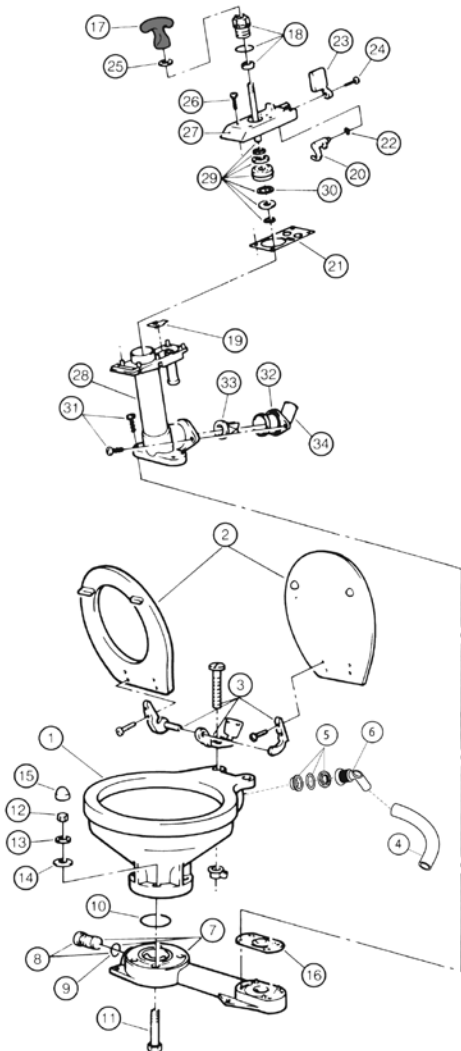
13 Service Parts

PAR MANUAL TOILETS UP TO 1997



29090 & 29120 SERIES PAR MANUAL TOILETS (UP TO 1997)

| REPAIR KITS AVAILABLE | | |
|-----------------------|--------------|---------------------------|
| KIT | MODEL NUMBER | DESCRIPTION |
| A | 29045-0000 | Major Service Kit |
| B | 29040-3000 | Pump Assembly |
| C | 29094-2000 | Valve Cover Assembly |
| D | 29051-2000 | Pump Cylinder Assembly |
| E | 29047-0000 | Base to Bowl Mounting Kit |



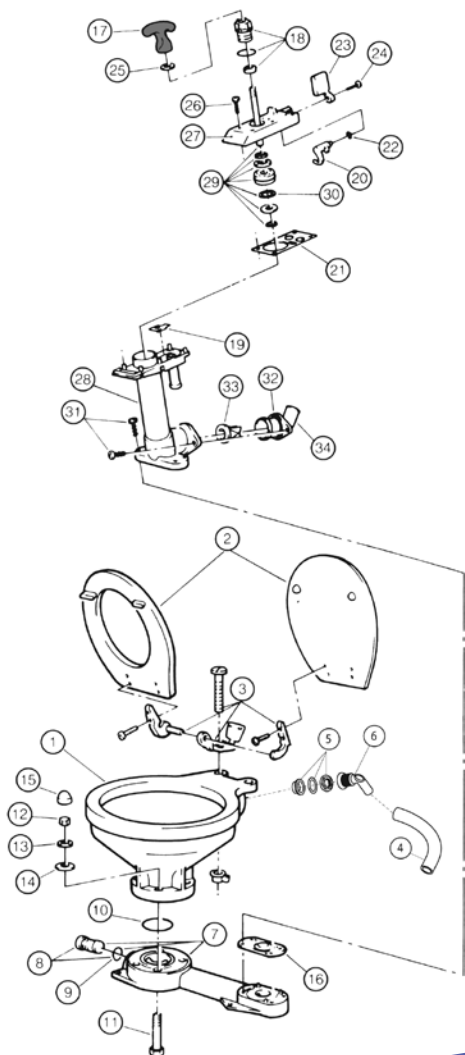
| KEY | DESCRIPTION | QTY PER TOILET | MODEL NUMBER | QTY PER REPAIR KIT | | | | |
|-----------|----------------------------|----------------|--------------|--------------------|---|---|---|---|
| | | | | A | B | C | D | E |
| 1 | Bowl, Compact Toilet | 1 | 29096-0000 | | | | | |
| | Bowl, Regular Toilet | 1 | 29126-0000 | | | | | |
| 2 | Seat, Lid & Hinge Set | | | | | | | |
| | Compact Toilet | 1 | 29097-1000 | | | | | |
| | Regular Toilet | | 29127-1000 | | | | | |
| 3 | Hinge Set (1 pair) | | | | | | | |
| | Compact Toilet | 1 | 29098-1000 | | | | | |
| | Regular Toilet | | 29098-2000 | | | | | |
| 4 | Hose, Compact Toilet | 1 | 29035-1000 | | | | | |
| | Hose, Regular Toilet | 1 | 29035-1001 | | | | | |
| 5 | Intake Seal + | 1 | 58107-1000 | | | | | |
| 6 | Intake Elbow | | | | | | | |
| 7 | Base, Plug & O-Ring Assy. | 1 | 29041-1000 | | | | | |
| 8 | Plug & O-Ring Assy. | 1 | | | | | | |
| 9 | O-Ring (Plug) | 1 | | | | | | |
| 10 | O-Ring (Bowl) | 1 | | | | | | 1 |
| 11 | Bolt | 4 | | | | | | 4 |
| 12 | Nut | 4 | | | | | | 4 |
| 13 | Washer (stainless steel) | 4 | | | | | | 4 |
| 14 | Washer (nylon) | 4 | | | | | | 4 |
| 15 | Cap | 4 | | 2 | | | | 4 |
| 16 | Base Valve Gasket | 1 | 29043-0000 | 1 | 1 | | 1 | |
| 17 | Handle | 1 | | | 1 | 1 | | |
| 18 | Seal Assembly | 1 | 29044-0000 | 1 | 1 | 1 | | |
| 19 | Top Valve Seat | 1 | | 1 | 1 | 1 | 1 | |
| 20 | Cam | | | | 1 | 1 | | |
| 21 | Top Valve Gasket | 1 | 29042-0000 | 1 | 1 | | | |
| 22 | O-Ring (Flush Lever) | 1 | | 1 | 1 | 1 | | |
| 23 | Flush Control Lever | 1 | | | 1 | 1 | | |
| 24 | Screw (Flush Lever) | 1 | | 1 | 1 | 1 | | |
| 25 | Buffer | | | | 1 | 1 | | |
| 26 | Screw (Valve Cover) | 6 | | 1 | 6 | 6 | 1 | |
| 27 | Valve Cover | 1 | | | 1 | 1 | | |
| 28 | Pump Cylinder | 1 | | | 1 | | 1 | |
| 29 | Piston, Rod & O-Ring Assy. | 1 | 29046-3000 | | 1 | | | |
| 30 | O-Ring (Piston) | 1 | | 1 | 1 | | | |
| 31 | Screw (Pump Cylinder) | 6 | | 1 | 3 | | 3 | |
| 32 | Discharge Flange | 1 | 29091-1000 | | 1 | | 1 | |
| 33 | Joker Valve | 1 | 29092-1000 | 1 | 1 | | 1 | |
| 34 | Discharge Elbow | 1 | 29029-1000 | | 1 | | 1 | |

Service Parts 13

JABSCO MANUAL TOILETS 1998 TO 2007

29090-2 & 29120-2 SERIES JABSCO MANUAL TOILETS (1998 TO 2007)

| REPAIR KITS AVAILABLE | | |
|-----------------------|--------------|---------------------------|
| KIT | MODEL NUMBER | DESCRIPTION |
| A | 29045-2000 | Major Service Kit |
| B | 29040-3000 | Pump Assembly |
| C | 29094-2000 | Valve Cover Assembly |
| D | 29051-2000 | Pump Cylinder Assembly |
| E | 29047-0000 | Base to Bowl Mounting Kit |



| KEY | DESCRIPTION | QTY PER TOILET | MODEL NUMBER | QTY PER REPAIR KIT | | | | |
|-----------|---|----------------|--------------|--------------------|---|---|---|---|
| | | | | A | B | C | D | E |
| 1 | Bowl, Compact Toilet | 1 | 29096-0000 | | | | | |
| | Bowl, Regular Toilet | 1 | 29126-0000 | | | | | |
| 2 | Seat, Lid & Hinge Set Compact Toilet | 1 | 29097-1000 | | | | | |
| | Regular Toilet | | 29127-1000 | | | | | |
| 3 | Hinge Set (1 pair) Compact Toilet | 1 | 29098-1000 | | | | | |
| | Regular Toilet | | 29098-2000 | | | | | |
| 4 | Hose, Compact Toilet | 1 | 29035-1000 | | | | | |
| | Hose, Regular Toilet | 1 | 29035-1001 | | | | | |
| 5 | Intake Seal + | 1 | 58107-1000 | | | | | |
| 6 | Intake Elbow | | | | | | | |
| 7 | Base, Plug & O-Ring Assy. | 1 | 29041-1000 | | | | | |
| 8 | Plug & O-Ring Assy. Up to 2002 - Screw | 1 | 29028-2000 | | | | | |
| | From 2003 - Bayonet | | | | | | | |
| 9 | O-Ring (Plug) | 1 | | | | | | |
| 10 | O-Ring (Bowl) | 1 | | | | | | 1 |
| 11 | Bolt | 4 | | | | | | 4 |
| 12 | Nut | 4 | | | | | | 4 |
| 13 | Washer (stainless steel) | 4 | | | | | | 4 |
| 14 | Washer (nylon) | 4 | | | | | | 4 |
| 15 | Cap | 4 | | 2 | | | | 4 |
| 16 | Base Valve Gasket | 1 | 29043-0000 | 1 | 1 | | 1 | |
| 17 | Handle | 1 | | | 1 | 1 | | |
| 18 | Seal Assembly | 1 | 29044-2000 | 1 | 1 | 1 | | |
| 19 | Top Valve Seat | 1 | | 1 | 1 | 1 | 1 | |
| 20 | Cam | 1 | | | 1 | 1 | | |
| 21 | Top Valve Gasket | 1 | 29042-0000 | 1 | 1 | | | |
| 22 | O-Ring (Flush Lever) | 1 | | 1 | 1 | 1 | | |
| 23 | Flush Control Lever | 1 | | | 1 | 1 | | |
| 24 | Screw (Flush Lever) | 1 | | 1 | 1 | 1 | | |
| 25 | Buffer | 1 | | 1 | 1 | | | |
| 26 | Screw (Valve Cover) | 6 | | 1 | 6 | 6 | 1 | |
| 27 | Valve Cover | 1 | | | 1 | 1 | | |
| 28 | Pump Cylinder | 1 | | | 1 | | 1 | |
| 29 | Piston, Rod & O-Ring Assy. | 1 | 29046-3000 | | 1 | | | |
| 30 | O-Ring (Piston) | 1 | | 1 | 1 | | | |
| 31 | Screw (Pump Cylinder) | 6 | | 1 | 3 | | 3 | |
| 32 | Discharge Flange | 1 | 29091-1000 | | 1 | | 1 | |
| 33 | Joker Valve | 1 | 29092-1000 | 1 | 1 | | 1 | |
| 34 | Discharge Elbow | 1 | 29029-1000 | | 1 | | 1 | |
| 35 | Valve Spring | 1 | | 1 | 1 | 1 | 1 | |

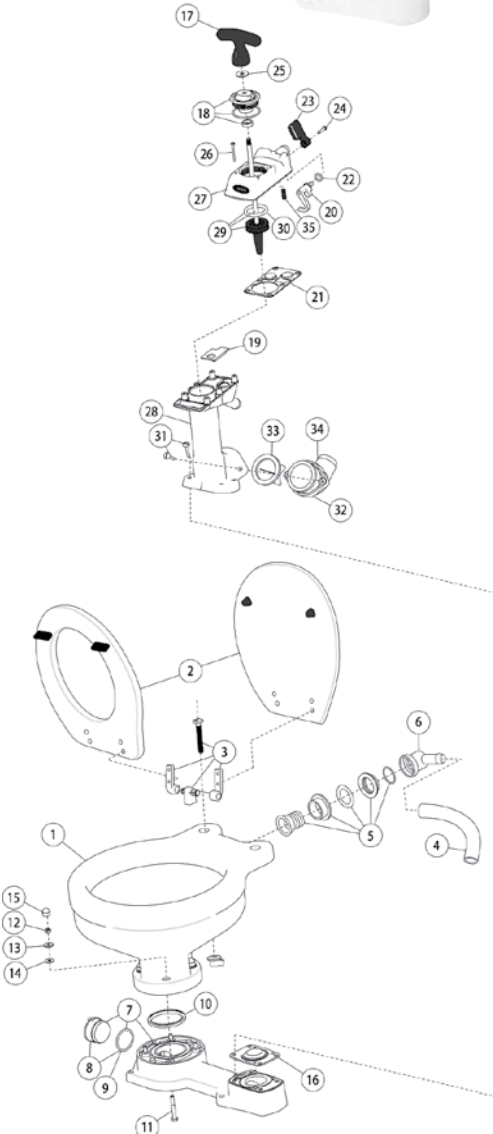
13 Service Parts

JABSCO MANUAL TOILETS 2008 ONWARD



29090-3 & 29120-3 SERIES JABSCO TWIST 'N' LOCK MANUAL TOILETS (2008 ONWARD)

| REPAIR KITS AVAILABLE | | |
|-----------------------|--------------|---------------------------|
| KIT | MODEL NUMBER | DESCRIPTION |
| A | 29045-3000 | Service Kit (from 2008) |
| B | 29040-3000 | Pump Assembly |
| C | 29094-3000 | Valve Cover Assembly |
| D | 29051-2000 | Pump Cylinder Assembly |
| E | 29047-0000 | Base to Bowl Mounting Kit |



| KEY | DESCRIPTION | QTY PER TOILET | MODEL NUMBER | QTY PER REPAIR KIT | | | | |
|-----------|---|----------------|--------------|--------------------|---|---|---|---|
| | | | | A | B | C | D | E |
| 1 | Bowl, Compact Toilet | 1 | 29096-0000 | | | | | |
| | Bowl, Regular Toilet | 1 | 29126-0000 | | | | | |
| 2 | Seat, Lid & Hinge Set Compact Toilet | 1 | 29097-1000 | | | | | |
| | Regular Toilet | | 29127-1000 | | | | | |
| 3 | Hinge Set (1 pair) Compact Toilet | 1 | 29098-1000 | | | | | |
| | Regular Toilet | | 29098-2000 | | | | | |
| 4 | Hose, Compact Toilet | 1 | 29035-1000 | | | | | |
| | Hose, Regular Toilet | 1 | 29035-1001 | | | | | |
| 5 | Intake Seal + | 1 | 58107-1000 | | | | | |
| 6 | Intake Elbow | | | | | | | |
| 7 | Base, Plug & O-Ring Assy. | 1 | 29041-1000 | | | | | |
| 8 | Plug & O-Ring Assy. (from 2003 - Bayonet) | 1 | 29028-2000 | | | | | |
| 9 | O-Ring (Plug) | 1 | | | | | | |
| 10 | O-Ring (Bowl) | 1 | | | | | | 1 |
| 11 | Bolt (stainless steel) | 4 | | | | | | 4 |
| 12 | Nut (stainless steel) | 4 | | | | | | 4 |
| 13 | Washer (stainless steel) | 4 | | | | | | 4 |
| 14 | Washer (nylon) | 4 | | | | | | 4 |
| 15 | Cap | 4 | | 2 | | | | 4 |
| 16 | Base Valve Gasket | 1 | 29043-0000 | 1 | 1 | | 1 | |
| 17 | Handle | 1 | | | 1 | 1 | | |
| 18 | Seal Housing Assembly (from 2008) | 1 | 29044-3000 | 1 | 1 | 1 | | |
| 19 | Top Valve Seat | 1 | | 1 | 1 | 1 | 1 | |
| 20 | Cam | 1 | | | 1 | 1 | | |
| 21 | Top Valve Gasket | 1 | 29042-0000 | 1 | 1 | | | |
| 22 | O-Ring (Flush Lever) | 1 | | 1 | 1 | 1 | | |
| 23 | Flush Control Lever | 1 | | | 1 | 1 | | |
| 24 | Screw (Flush Lever) | 1 | | 1 | 1 | 1 | | |
| 25 | Buffer | 1 | | 1 | 1 | | | |
| 26 | Screw (Valve Cover) | 6 | | 1 | 6 | 6 | 1 | |
| 27 | Valve Cover | 1 | | | 1 | 1 | | |
| 28 | Pump Cylinder | 1 | | | 1 | | 1 | |
| 29 | Piston, Rod & O-Ring Assy. | 1 | 29046-3000 | | 1 | | | |
| 30 | O-Ring (Piston) | 1 | | 1 | 1 | | | |
| 31 | Screw (Pump Cylinder) | 6 | | 1 | 3 | | 3 | |
| 32 | Discharge Flange | 1 | 29091-1000 | | 1 | | 1 | |
| 33 | Joker Valve | 1 | 29092-1000 | 1 | 1 | | 1 | |
| 34 | Discharge Elbow | 1 | 29029-1000 | | 1 | | 1 | |
| 35 | Valve Spring (only from 1998) | 1 | | 1 | 1 | 1 | 1 | |

Service Parts 13

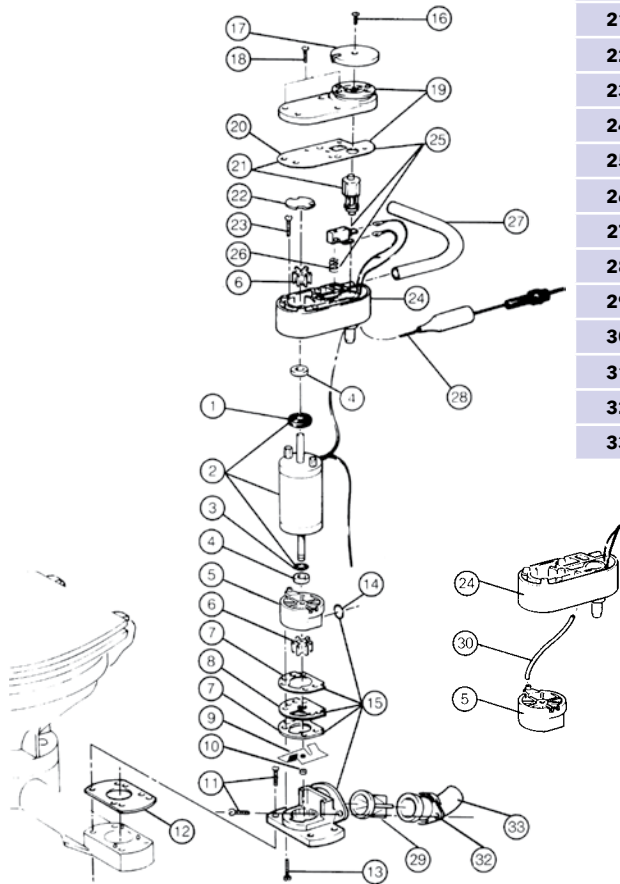
ELECTRIC CONVERSION FOR MANUAL TOILETS

29200 SERIES ELECTRIC CONVERSION FOR MANUAL TOILETS

| REPAIR KITS AVAILABLE | | |
|-----------------------|--------------|---------------------------|
| KIT | MODEL NUMBER | DESCRIPTION |
| A | 29101-0000 | Service Kit |
| B | 29109-0000 | Hardware Kit |
| C | 29116-1000 | Waste & Flush Pump Bodies |



| KEY | DESCRIPTION | QTY PER CONVERSION | MODEL NUMBER | QTY PER REPAIR KIT | | |
|-----|-----------------------------|--------------------|--------------|--------------------|---|---|
| | | | | A | B | C |
| 1 | Slinger (large) | 1 | | | | |
| 2 | Motor Assembly 12V | 1 | 29108-0120 | | | |
| | Motor Assembly 24V | 1 | 29108-0240 | | | |
| 3 | Slinger (small) | 1 | | 1 | | |
| 4 | Seal | 2 | | 2 | | 2 |
| 5 | Waste Pump Body | 1 | | | | 1 |
| 6 | Impeller | 2 | | 2 | | |
| 7 | Gasket (paper) | 2 | | 2 | 2 | 2 |
| 8 | Wearplate (stainless steel) | 1 | | | 1 | |
| 9 | Chopper Plate | 1 | 37056-1000 | | | |
| 10 | Lock Nut | | | | | |
| 11 | Mounting Screw (PAR) | | | 1 | | 1 |
| 12 | Base Gasket (rubber) | 1 | 29072-1000 | | | |
| 13 | Screw (Waste Pump) | 4 | | | 4 | |
| 14 | O-Ring | 1 | | 1 | | 1 |
| 15 | Macerator Housing | 1 | 29071-1000 | | | |
| 16 | Screw (Control Knob) | 1 | | 1 | 1 | 1 |
| 17 | Control Knob | 1 | 29077-1000 | | | |
| 18 | Screw (Flush Pump Cover) | 7 | | 1 | 7 | 1 |
| 19 | Flush Pump Cover Assy. | 1 | 29081-1000 | | | |
| 20 | Flush Pump Gasket (Cork) | 1 | 29075-1000 | 1 | | 1 |
| 21 | Control Valve Assembly | 1 | 29083-1000 | | | |
| 22 | Wearplate (brass) | 1 | | | 1 | |
| 23 | Screw (Flush Pump) | 2 | | 1 | 2 | 1 |
| 24 | Flush Pump Body | 1 | | | | 1 |
| 25 | Switch Assembly | 1 | 29103-1000 | 1 | | |
| 26 | Switch Spring | 1 | | | | 1 |
| 27 | Hose (all toilets) | 1 | 29035-1000 | | | |
| 28 | Cable Assy. (without fuse) | 1 | 29106-1000 | | | |
| 29 | Joker Valve | 1 | 29092-1000 | | | |
| 30 | Bleed Hose | 1 | 29019-1010 | 1 | | 1 |
| 31 | Pumpgard™ | 1 | 46400-0000 | | | |
| 32 | Discharge Flange | 1 | 29091-1000 | | | |
| 33 | Discharge Elbow | 1 | 29029-1000 | | | |



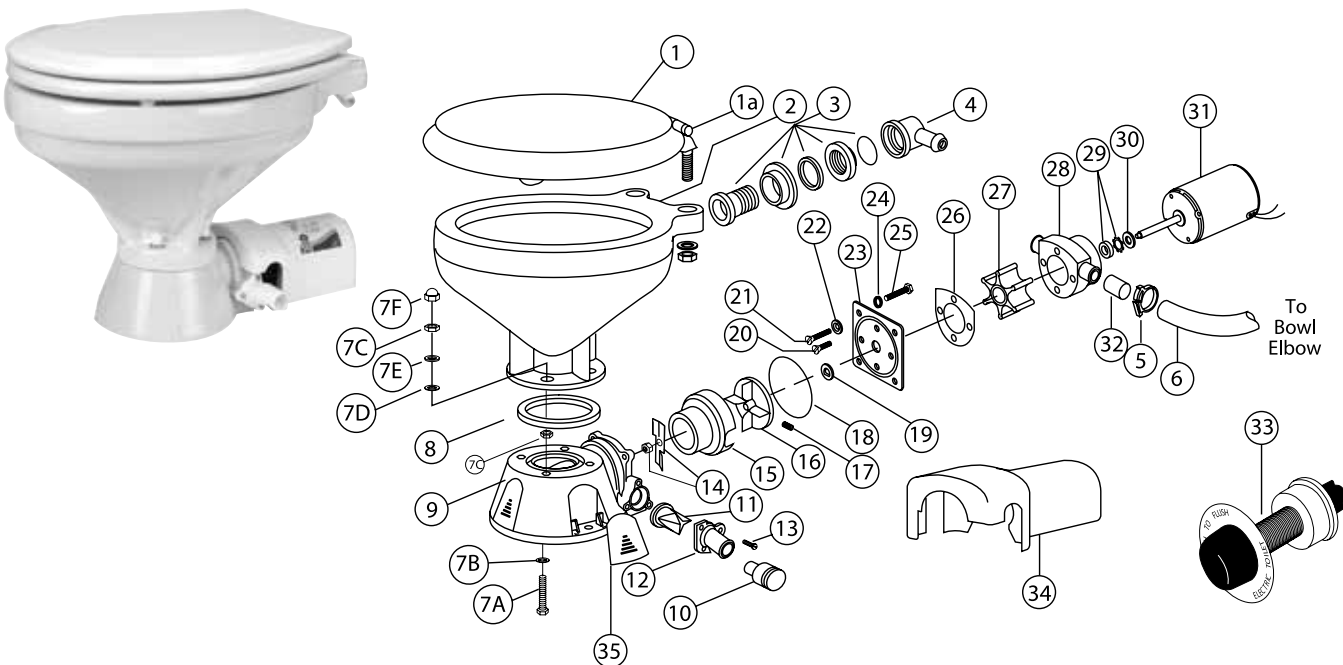
13 Service Parts

ELECTRIC TOILETS



| 37010 SERIES ELECTRIC TOILETS | | | | | | | | |
|-------------------------------|--|--------------|----------------|-----------|--------------------------------|--------------|----------------|---|
| KEY | DESCRIPTION | MODEL NUMBER | QTY PER TOILET | KEY | DESCRIPTION | MODEL NUMBER | QTY PER TOILET | |
| 1 | Seat & Cover, Compact | 29097-1000 | 1 | 17 | Set Screw | 91084-0320 | † | 1 |
| | Seat & Cover, Regular | 29127-1000 | 1 | 18 | O-Ring | 43990-0066 | * † | 1 |
| 1A | Hinge Set (1 pair) | | 1 | 19 | Sealing Sleeve | 37036-1000 | † | 1 |
| | Compact Toilet | 29098-1000 | | 20 | Screw | 91009-0096 | † | 2 |
| | Regular Toilet | 29098-2000 | | 21 | Screw | 91010-0130 | † | 2 |
| 2 | Bowl, Compact Toilet | 29096-0000 | 1 | 22 | Washer, Plastic | | * † | 2 |
| | Bowl, Regular Toilet | 29126-0000 | 1 | 23 | Wearplate ‡ | 37018-0000 | † | 1 |
| 3 & 4 | Bowl Spud, Intake Elbow and O-Ring | 58107-1000 | 1 | 24 | Lock Washer #10, Stainless Kit | | † | 4 |
| 5 | Hose Clip | | 1 | 25 | Screw | 91027-0011 | † | 4 |
| 6 | Hose | 29035-1001 | 1 | 26 | Gasket | 12558-0000 | * † | 1 |
| 7 | Bowl Installation Hardware | 18753-0637 | 1 | 27 | Flexible Impeller | 6303-0003 | * † | 1 |
| 7A | Phillips Head Screw** | | 4 | 28 | Body | 12554-0000 | † | 1 |
| 7B | Washer, Starlock** | | 4 | 29 | Seal and Retainer | 1040-0000 | * † | 1 |
| 7C | Hex Nut (two places)** | | 4 | 30 | Slinger | 6342-0000 | † | 1 |
| 7D | Washer, Plastic** | | 4 | 31 | Motor 12V | 37064-0000 | † | 1 |
| 7E | Washer, Stainless Steel** | | 8 | | Motor 24V | 37065-0000 | † | 1 |
| 7F | Nut Cap** | | 4 | 32 | Adapter | 93003-0240 | | 2 |
| 8 | O-Ring Bowl/Seal | 44101-1000 | 1 | 33 | Switch and Plate | 37020-0000 | | 1 |
| 9 | Base Assembly** | 37004-1000 | 1 | 34 | Motor Cover | 43990-0051 | | 1 |
| 10 | 1" to 1-1/2" (25 to 38mm) Hose Adapter | 98023-0080 | 1 | 35 | Screw Cover (3 each) | 37003-1000 | | 1 |
| 11 | Joker Valve** | 44106-1000 | * 1 | | Service Kit | 37040-0000 | | |
| 12 | 1" (25mm) Discharge Port** | 44107-1000 | 1 | | Motor/Pump Assy. 12V | 37041-0010 | † | |
| 13 | Screw** | 96050-0568 | 3 | | Motor/Pump Assy. 24V | 37041-0011 | † | |
| 14 | Chopper Plate with Lock Nut | 37056-1000 | † 1 | | | | | |
| 15 | Macerator Housing | 37014-0000 | † 1 | | | | | |
| 16 | Centrifugal Impeller | 37006-0000 | † 1 | | | | | |

* Parts supplied with Service Kit 37040-0000.
 ** Parts included with base 37004-1000.
 ‡ Wearplate #23 includes Sealing Sleeve #19 and Pump/Base O-Ring #18.
 † Parts included in Motor/Pump Assembly.



37045 & 37245 SERIES QUIET FLUSH TOILETS

| KEY | DESCRIPTION | MODEL NUMBER | QTY PER TOILET |
|-----------|--|--------------|----------------|
| 1 | Seat & Cover, Compact | 29097-1000 | 1 |
| | Seat & Cover, Regular | 29127-1000 | 1 |
| 1A | Hinge Set (1 pair) | | 1 |
| | Compact Toilet | 29098-1000 | |
| | Regular Toilet | 29098-2000 | |
| 2 | Bowl, Compact Toilet | 29096-0000 | 1 |
| | Bowl, Regular Toilet | 29126-0000 | 1 |
| 3 | Intake Seal | 58107-1000 | 1 |
| 4 | Intake Elbow and O-Ring | 58107-1000 | 1 |
| 5 | Hose, 6' (1.8m) | 29035-1031 | 1 |
| 6 | Motor Cover | 37042-1000 | 1 |
| 7 | Bowl Installation Hardware | 18753-0637 | 1 |
| 7A | Nut Cap** | | 4 |
| 7B | Hex Nut** | | 4 |
| 7C | Washer, Stainless Steel** | | 4 |
| 7D | Washer, Plastic** | | 4 |
| 7E | Hex Head Screw** | | 4 |
| 8 | O-Ring | 44101-1000 | * 1 |
| 9 | Base Assembly** | 37004-1000 | 1 |
| 10 | 1" to 1/2" (25 to 13mm) Hose Adapter | 98023-0080 | 1 |
| 11 | Joker Valve** | 44106-1000 | * 1 |
| 12 | 1" to 1-1/2" (25 to 38mm) Hose Adapter | 44107-1000 | 1 |
| 13 | Screw** | 96050-0568 | 3 |
| 14 | Chopper Plate with Lock Nut | 37056-1000 | † 1 |
| 15 | Macerator Housing | 37014-0000 | † 1 |
| 16 | Centrifugal Impeller | 37006-0000 | † 1 |
| 17 | Set Screw | 91084-0320 | † 1 |
| 18 | O-Ring | 43990-0066 | * † 1 |
| 19 | Seal | 1040-0000 | † 1 |

| KEY | DESCRIPTION | MODEL NUMBER | QTY PER TOILET |
|-----------|---------------------------------------|--------------|----------------|
| 20 | Screw | | † 2 |
| 21 | Washer, Plastic | 35445-0000 | * † 2 |
| 22 | Seal Housing | 37043-1000 | † 1 |
| 23 | Lock Washer, Stainless Steel | | † 4 |
| 24 | Screw | 91027-0011 | † 4 |
| 25 | Slinger | 6342-0000 | † 1 |
| 26 | Motor 12V | 18753-0554 | † 1 |
| | Motor 24V | 18753-0555 | 1 |
| 27 | Solenoid Valve and Siphon Breaker 12V | 37038-1012 | 1 |
| | Solenoid Valve and Siphon Breaker 24V | 37038-1024 | 1 |
| 28 | Switch Panel | 37047-2000 | 1 |
| 29 | Rinse Pump 12V | 31631-0092 | 1 |
| | Rinse Pump 24V | 31631-0094 | 1 |
| 30 | Screw Cover (3 each) | 37003-1000 | 1 |
| 31 | Pumpgard™ | 46400-0000 | 1 |
| | Service Kit | 90197-0000 | |
| | Motor & Waste Pump Assembly 12V | 37072-0092 | 1 |
| | Motor & Waste Pump Assembly 24V | 37072-0094 | 1 |

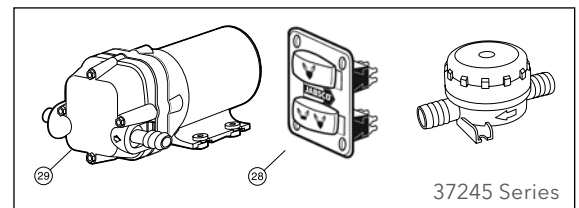
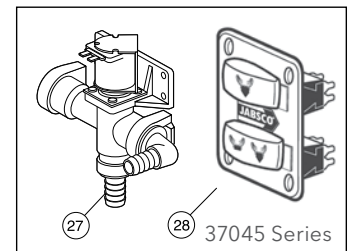
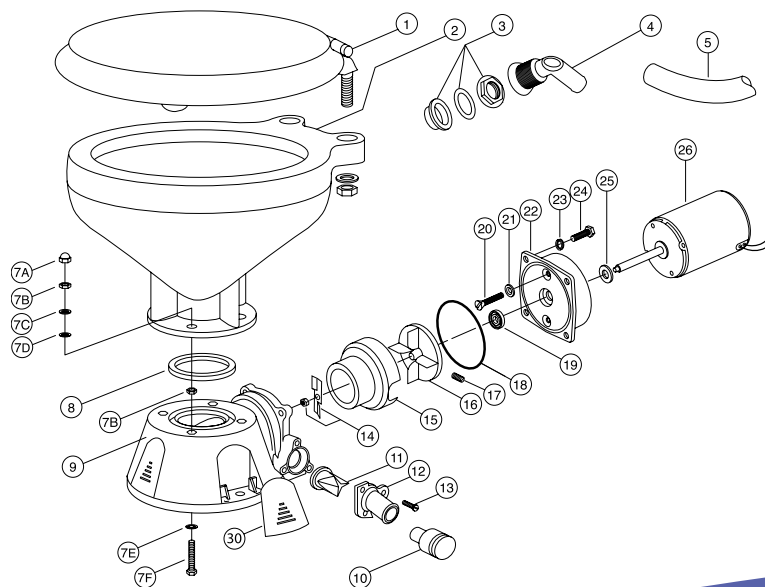
* Parts supplied with Service Kit.

** Parts included with base 37004-1000.

† Parts supplied with Motor & Waste Pump Assembly.



37045 Exploded View



See page 242 for pump exploded view.

13 Service Parts

ELECTRIC TOILETS

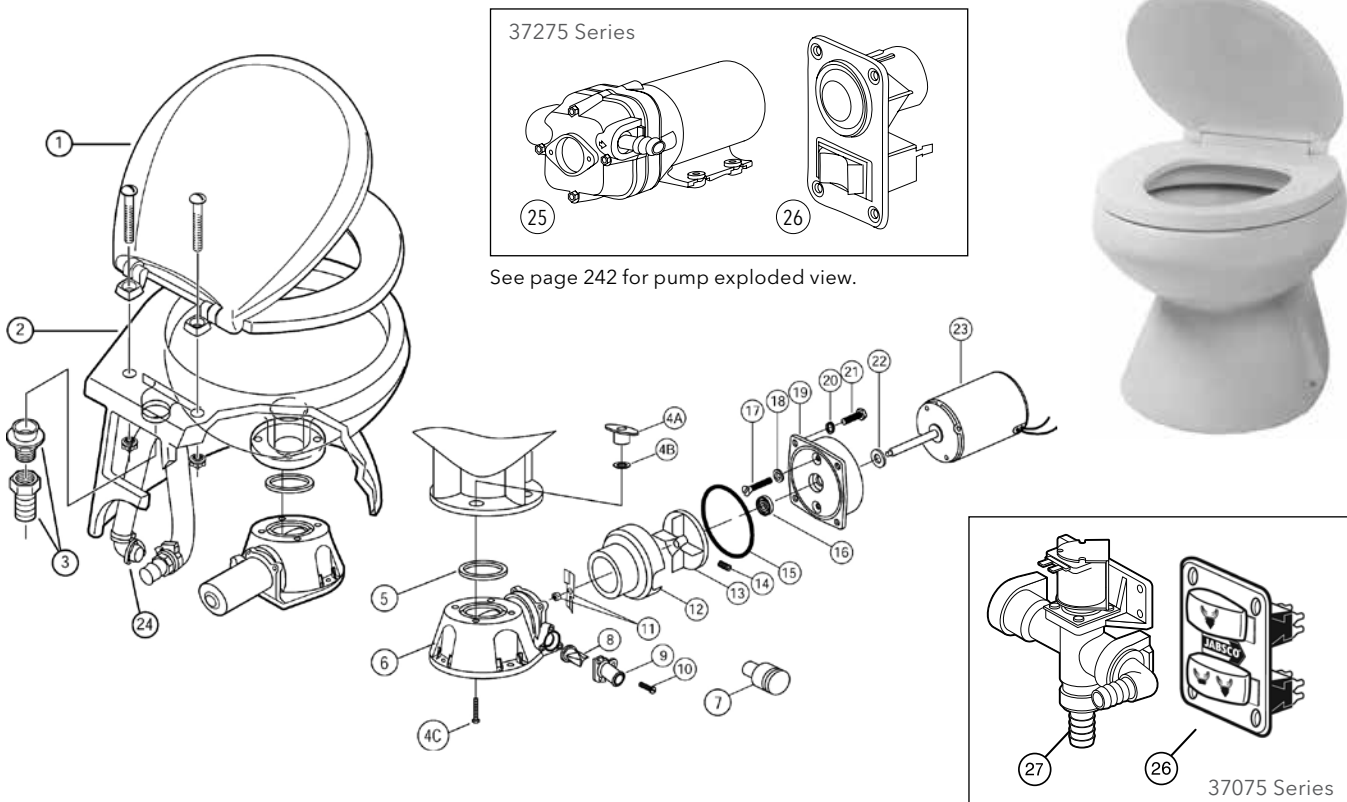


37275 & 37075 SERIES DESIGNER STYLE ELECTRIC TOILETS (DISCONTINUED)

| KEY | DESCRIPTION | MODEL NUMBER | QTY PER TOILET |
|-----|--|--------------|----------------|
| 1 | Seat & Cover | 37078-1000 | 1 |
| 2 | Bowl, Compact Size, White | 37076-0010 | 1 |
| 3 | Bowl Spud & Barbed Adapter | 18753-0609 | 1 |
| 4 | Bowl Installation Hardware | 18753-0604 | 1 |
| 4A | Tee Nut** | | 4 |
| 4B | Washer, Plastic** | | 4 |
| 4C | Socket Head Screw** | | 4 |
| 5 | Gasket | 37017-0000 * | 1 |
| 6 | Base Assembly** | 37004-1000 | 1 |
| 7 | 1" to 1-1/2" (25 to 38mm) Hose Adapter | 98023-0080 | 1 |
| 8 | Joker Valve** | 44016-1000 * | 1 |
| 9 | 1" (25mm) Discharge Port** | 37077-1000 | 1 |
| 10 | Screw** | 96050-0568 | 3 |
| 11 | Chopper Plate with Lock Nut | 37056-1000 | 1 |
| 12 | Macerator Housing | 37014-0000 | 1 |
| 13 | Centrifugal Impeller | 37006-0000 | 1 |
| 14 | Set Screw | 91084-0320 | 1 |
| 15 | O-Ring | 43990-0066 * | 1 |
| 16 | Seal | 1040-0000 | 1 |
| 17 | Screw | | 2 |
| 18 | Washer, Fiber | 35445-0000 * | 2 |

| KEY | DESCRIPTION | MODEL NUMBER | QTY PER TOILET |
|-----|-------------------------------------|--------------|----------------|
| 19 | Seal Housing | 37043-1000 | 1 |
| 20 | Lock Washer #10, Stainless Steel | | 4 |
| 21 | Screw | 91027-0011 | 4 |
| 22 | Slinger | 6342-0000 | 1 |
| 23 | Motor 12V | 18753-0554 | 1 |
| | Motor 24V | 18753-0555 | 1 |
| 24 | Evacuation Hose Kit | 37087-0000 | 1 |
| 25 | Rinse Pump 12V EMC | 31631-0092 | 1 |
| | Rinse Pump 24V EMC | 31631-0094 | 1 |
| 26 | Switch Panel | 37047-2000 | 1 |
| | Service Kit | 90197-0000 | 1 |
| 27 | Motor & Waste Pump Assembly 12V | 37072-0092 | 1 |
| | Motor & Waste Pump Assembly 24V | 37072-0094 | 1 |
| 27 | Solenoid Valve & Siphon Breaker 12V | 37038-1012 | 1 |
| | Solenoid Valve & Siphon Breaker 24V | 37038-1024 | 1 |
| | Pumpgard™ | 46400-0000 | 1 |

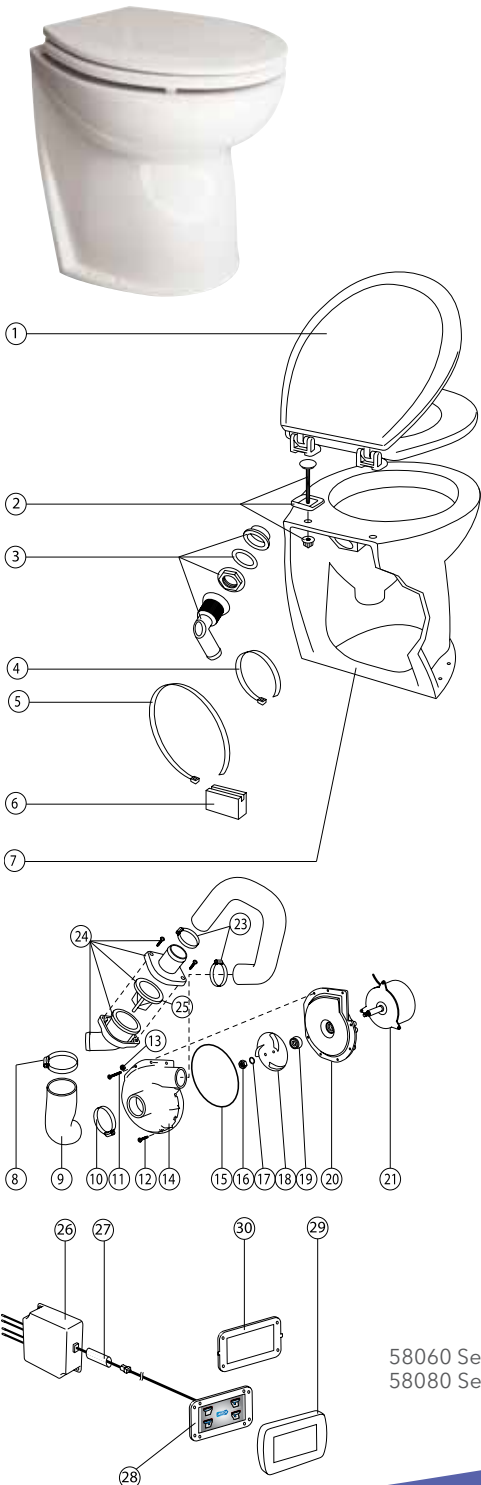
* Parts supplied with Service Kit.
 ** Parts included with base 37004-1000.



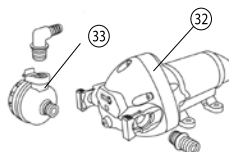
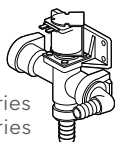
58060, 58260, 58080 & 58280 DELUXE FLUSH 14" & 17" ELECTRIC TOILETS

| SERVICE KITS AVAILABLE | | |
|------------------------|--------------|-------------------|
| KIT | MODEL NUMBER | DESCRIPTION |
| A | 58100-2000 | Major Service Kit |
| B | 58103-1012 | Pump Assembly 12V |
| | 58103-1024 | Pump Assembly 24V |
| C | 58029-1000 | Control Kit |

| KEY | DESCRIPTION | QTY PER TOILET | MODEL NUMBER | QTY PER SERVICE KIT | | |
|-----------|-----------------------------------|----------------|--------------|---------------------|---|---|
| | | | | A | B | C |
| 1 | Seat & Lid Set | 1 | 58104-1000 | | | |
| 2 | Hinge Kit, pair | 1 | 58105-1000 | | | |
| 3 | Rinse Intake Seal & Elbow | 1 | 58107-1000 | | | |
| 4 | Support Strap, Discharge Hole | 1 | See Kits | 1 | 1 | |
| 5 | Support Strap, Motor | 1 | See Kits | 1 | 1 | |
| 6 | Support Block, Motor | 1 | See Kits | 1 | 1 | |
| 7 | 14" Bowl, Angled Back | 1 | 58048-1000 | | | |
| | 14" Bowl, Vertical Back | 1 | 58068-1000 | | | |
| | 17" Bowl, Angled Back | 1 | 58028-1000 | | | |
| | 17" Bowl, Vertical Back | 1 | 58038-1000 | | | |
| 8 | Hose Clip, large | 1 | See Kits | 1 | 1 | |
| 9 | Inlet Hose, Flush Pump | 1 | See Kits | 1 | 1 | |
| 10 | Hose Clip, medium | 1 | See Kits | 1 | 1 | |
| 11 | Screw, long | 4 | See Kits | 1 | 4 | |
| 12 | Screw, short | 3 | See Kits | 1 | 3 | |
| 13 | Nut | 7 | See Kits | 2 | 7 | |
| 14 | Pump Body, upper | 1 | See Kits | | 1 | |
| 15 | Ring Seal | 1 | See Kits | 1 | 1 | |
| 16 | Nut | 1 | See Kits | 1 | 1 | |
| 17 | Washer | 1 | See Kits | 1 | 1 | |
| 18 | Impeller | 1 | See Kits | | 1 | |
| 19 | Ceramic Seal | 1 | See Kits | 1 | 1 | |
| 20 | Pump Body, lower | 1 | See Kits | | 1 | |
| 21 | Motor 12V | 1 | See Kits | | 1 | |
| | Motor 24V | 1 | See Kits | | 1 | |
| 22 | Outlet Hose, Pump | 1 | See Kits | 1 | 1 | |
| 23 | Clip, small | 2 | See Kits | 2 | 2 | |
| 24 | Non-Return Valve Assy. | 1 | 58109-1000 | | | |
| 25 | Joker Valve | 1 | 29092-1000 | | | |
| 26 | Control Box, Electronics | 1 | See Kits | | | 1 |
| 27 | Heat Shrink Sleeve, Control Cable | 1 | See Kits | | | 1 |
| 28 | Panel | 1 | See Kits | | | 1 |
| 29 | Jabsco White Fascia Panel | 1 | See Kits | | | 1 |
| 30 | Adapter Plate | 1 | See Kits | | | 1 |
| 31 | Solenoid Valve 12V | 1 | 37038-1012 | | | |
| | Solenoid Valve 24V | 1 | 37038-1024 | | | |
| 32 | Rinse Pump 12V | 1 | 31331-0092 | | | |
| | Rinse Pump 24V | 1 | 31331-0094 | | | |
| 33 | Pumpgard™ | 1 | 46400-9500 | | | |



58060 Series
58080 Series



58260 Series
58280 Series

13 Service Parts

ELECTRIC TOILETS

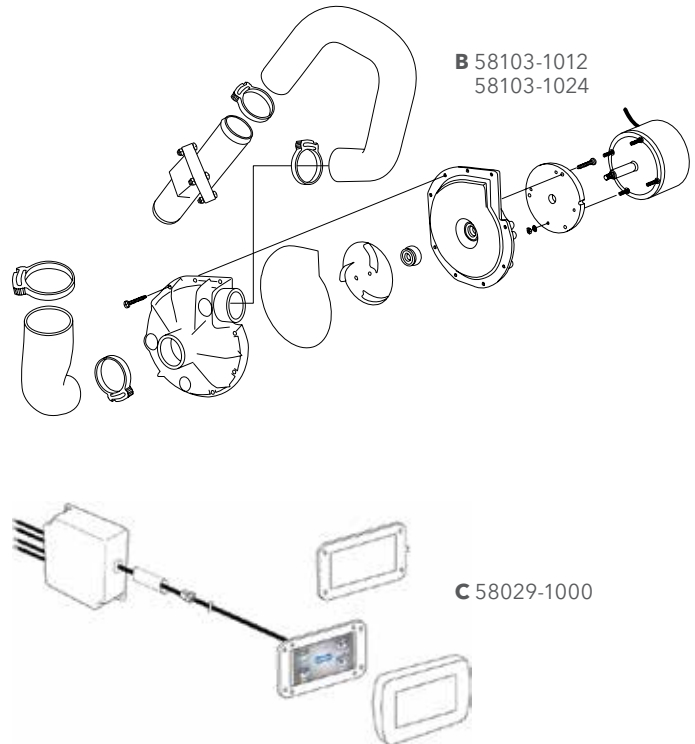
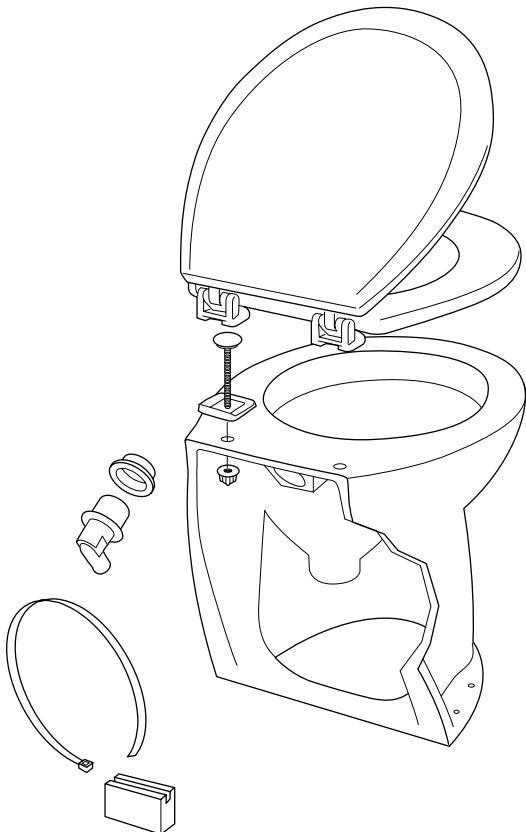
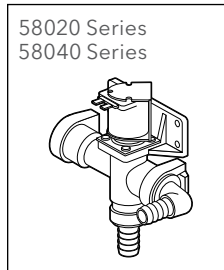


In 2009, the design of the Deluxe Flush Pump Assembly and Control Panel was updated.

If you have a toilet manufactured before 2010 and want to purchase a service kit, you need part number 58100-1000 – there are different size hoses used on the different designs.

The design of the pump assembly (B) was changed, but you can purchase the new pump design. The style of the control kit (C) was also updated, but the new design can be used to replace this (see previous page).

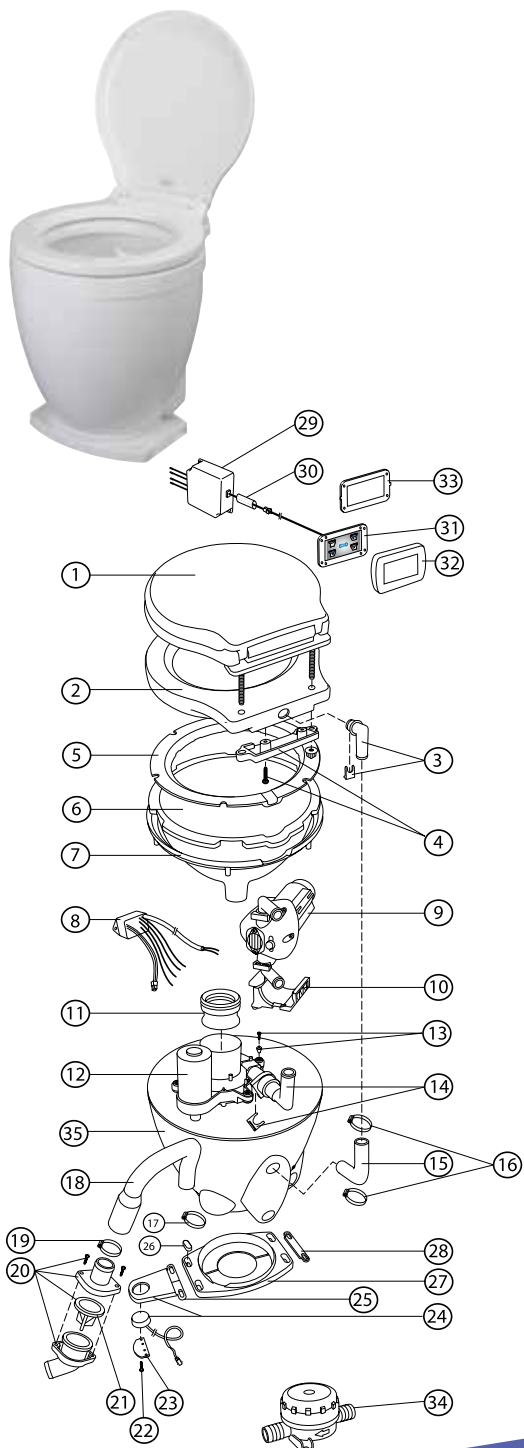
| 58020, 58220, 58040, 58240 DELUXE FLUSH 17" ELECTRIC TOILETS (UNTIL 2009) | | |
|--|--------------|-------------------|
| REPAIR KITS AVAILABLE | | |
| KIT | MODEL NUMBER | DESCRIPTION |
| A | 58100-1000 | Major Service Kit |
| | 58103-1012 | Pump Assembly 12V |
| B | 58103-1024 | Pump Assembly 24V |
| | 58029-1000 | Control Kit |



58500 SERIES LITE FLUSH ELECTRIC TOILETS

| REPAIR KITS AVAILABLE | | |
|-----------------------|--------------|--------------------------|
| KIT | MODEL NUMBER | DESCRIPTION |
| A | 58550-1000 | Hose Kit |
| B | 58540-1012 | Pump Assembly 12V |
| | 58540-1024 | Pump Assembly 24V |
| C | 58555-1000 | Control Kit (Footswitch) |
| D | 58552-1000 | Control Kit (Panel) |
| | 58541-1000 | Pulley & Belt Kit |

| KEY | DESCRIPTION | QTY PER TOILET | MODEL NUMBER | QTY PER REPAIR KIT | | | |
|-----------|---------------------------|----------------|--------------|--------------------|---|---|---|
| | | | | A | B | C | D |
| 1 | Seat & Lid | 1 | 58530-1000B | | | | |
| 2 | Top | 1 | | | | | |
| 3 | Intake Elbow & Clip | 1 | | | | | |
| 4 | Seat & Lid Clamp Kit | 1 | | | | | |
| 5 | Top Bowl Seal | 1 | 58514-1000 | | | | |
| 6 | Ceramic Bowl | 1 | | | | | |
| 7 | Clamp Ring | 1 | | | | | |
| 8 | Control Box (Footswitch) | 1 | See Kits | | | 1 | |
| 9 | Rinse Pump 12V | 1 | 31331-0092 | | | | |
| | Rinse Pump 24V | 1 | 31331-0094 | | | | |
| 10 | Rinse Pump Bracket | 1 | | | | | |
| 11 | Bowl Outlet Seal | 1 | See Kits | | 1 | | |
| 12 | Pump Assembly 12V | 1 | See Kits | | 1 | | |
| | Pump Assembly 24V | 1 | See Kits | | | | |
| 13 | Pump Assembly Fixings | 4 | See Kits | | 1 | | |
| 14 | Discharge Elbow and Clip | 1 | See Kits | | 1 | | |
| 15 | Inlet Hose | 1 | See Kits | 1 | | | |
| 16 | Small Hose Clip | 2 | | | | | |
| 17 | Medium Hose Clip | 1 | | | | | |
| 18 | Outlet Hose | 1 | See Kits | 1 | | | |
| 19 | Large Hose Clip | 1 | | | | | |
| 20 | Non-Return Valve Assembly | 1 | 58109-1000 | | | | |
| 21 | Joker Valve | 1 | 29092-1000 | | | | |
| 22 | Screw, Footswitch | 2 | | | | | |
| 23 | Switch Support | 1 | | | | | |
| 24 | Footswitch | 1 | See Kits | | | 1 | |
| 25 | Switch Mount | 1 | | | | | |
| 26 | Screw Covers | 4 | | | | | |
| 27 | Base | 1 | | | | | |
| 28 | Foot Panel Blank | 1 | See Kits | | | 1 | 2 |
| 29 | Control Box | 1 | See Kits | | | | 1 |
| 30 | Heat Shrink Sleeve | 1 | See Kits | | | | 1 |
| 31 | Panel | 1 | See Kits | | | | 1 |
| 32 | Jabsco White Fascia Panel | 1 | See Kits | | | | 1 |
| 33 | Adapter Plate | 1 | See Kits | | | | 1 |
| 34 | Pumpgard™ | 1 | 46400-0000 | | | | |



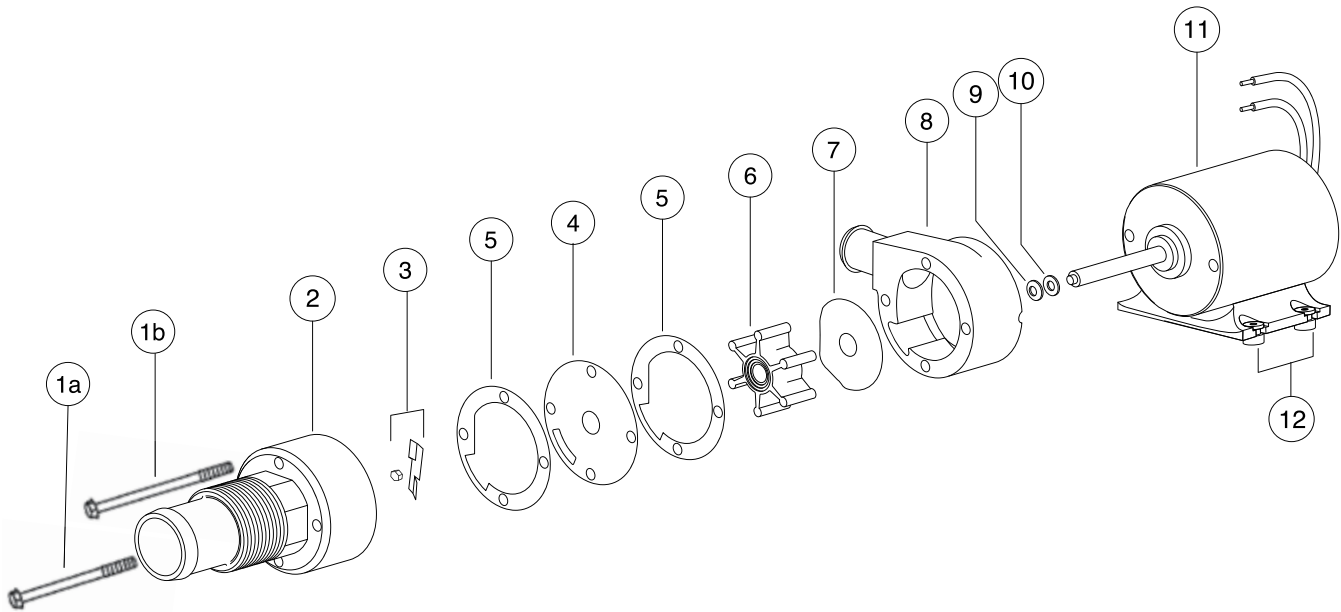
13 Service Parts

18590 SERIES RUN-DRY MACERATOR PUMP



| 18590 SERIES RUN-DRY MACERATOR PUMP | | | |
|-------------------------------------|----------------------------|--------------|-----|
| KEY | DESCRIPTION | MODEL NUMBER | QTY |
| 1a | Bolt, short | See Bolt Kit | 2 |
| 1b | Bolt, long | See Bolt Kit | 2 |
| 2 | Macerator Housing | 18594-1000 | 1 |
| 3 | Chopper Plate with Locknut | 37056-2000 | 1 |
| 4 | Wearplate, large | 18597-1000 | 1 |
| 5 | Gaskets (2 each per kit) | 18596-1000 | * 1 |
| 6 | Impeller | 6303-0003 | * 1 |
| 7 | Wearplate, small | 12316-1002 | 1 |
| 8 | Body | 18593-1000 | * 1 |
| 9 | Seal | 1040-0000 | * 1 |
| 10 | Slinger | 6342-0000 | 1 |
| 11 | Motor 12V | 17246-1012 | 1 |
| | Motor 24V | 17246-1024 | 1 |
| 12 | Grommets (set of 4) | 92900-0120 | 1 |
| | Service Kit | 18598-1000 | 1 |
| | Bolt Kit | 17288-1000 | 1 |

* These parts are supplied in Service Kit 18598-1000.

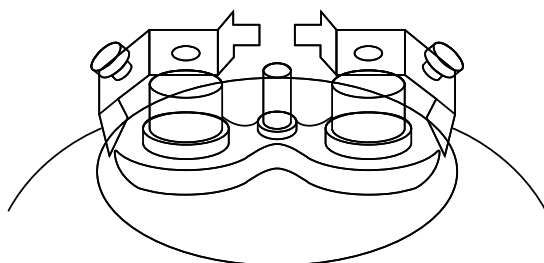


Service Parts 13

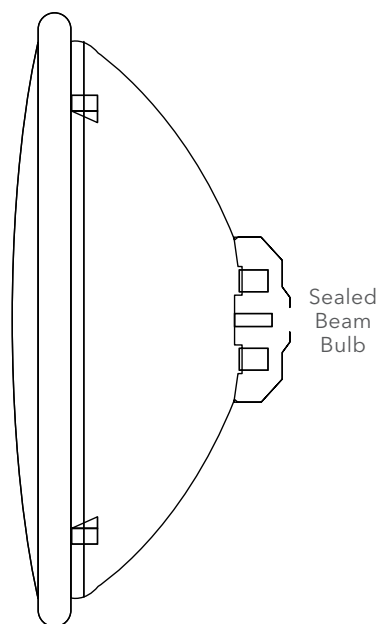
REPLACEMENT BULB GUIDE

| CHROME REMOTE CONTROL SEARCHLIGHTS | | | | | |
|--|--|-------|---------|---------------------|--------------------|
| DIAMETER INCHES (MM) | MODEL NUMBER | VOLTS | WATTS | CANDLE-POWER x 1000 | SEALED BEAM NUMBER |
| Sealed Beam Bulbs for Current Series | | | | | |
| 5" (130mm) | 61022, 62022 Series 61026, 62026 Series | 12 | 100 | 100/50 | 67296-0000 |
| 6" (150mm) | 63020, 63022 Series | 12/24 | 100 | 200/50 | 64046-0006 |
| 7" (180mm) | 61040, 62040 Series | 12 | 100/100 | 200/50 | 67262-0000 |
| | | 24 | 170 | 230 | 18753-0447 |
| 8" (200mm) | 61042, 62042 Series | 24 | 250 | 500 | 98040-0520 |
| Sealed Beam Bulbs for Older Lights (not in catalog) | | | | | |
| 5" (130mm) | 61020 Series 61024 Series 61025 Series | 12 | 100/100 | 100/50 | 67296-0000 |
| 7" (180mm) | 43630 Series | 12 | 100 | 49 | 43990-0048 |
| | | 24 | 450 | 450 | 66165-0000 |
| | 40017, 40027, 40170 40173, 40244, 40324 | 12 | 100 | 49 | 43990-0048 |
| | | 24 | 400 | 200/50 | 66165-0000 |
| 61041-3002 | 24 | 400 | 200/50 | 66165-0000 | |
| 5-3/4" (145mm) | 40014, 40025, 40049 | 12 | N/A | 75 | 98040-0020 |
| Halogen Bulbs - Sealed Beam | | | | | |
| 5" (130mm) | 61025-4008 61026-4008 | 12 | 55 | N/A | 43990-0022 |
| Xenon Bulbs | | | | | |
| 7" (180mm) | 62040-4002X | 12 | 35 | 680 | 1000215-01K |
| | 62040-4006X | 24 | 35 | 680 | 1000215-01K |

| PENET-RAY PROJECTOR BULBS FOR OBSOLETE REFLECTOR LIGHTS | | | | | |
|---|--|-------|-------|---------------------|-------------|
| DIAMETER INCHES (MM) | MODEL NUMBER | VOLTS | WATTS | CANDLE-POWER x 1000 | BULB NUMBER |
| 6-1/2" (165mm) | 40915, 40018, 40122, 40500, 40503, 40533 | 12 | 72 | N/A | 98039-0020 |
| Thru | 40544, 40577, 40703, 40733, 40744, 40800 | 32 | 115 | N/A | 98039-0060 |
| 10" (255mm) | 40803, 40833, 40844, 40877 | | | | |
| 6" (150mm) | 63042-0012 | 12 | 35 | 600 | 64046-0007 |
| | 63042-0024 | 24 | 35 | 600 | 64046-0008 |



| PLASTIC REMOTE CONTROL LIGHTS | | | | | |
|----------------------------------|-------|-------|------------|---------------------|-------------|
| MODEL NUMBER | VOLTS | WATTS | AMPS | CANDLE-POWER x 1000 | BULB NUMBER |
| 135 SL | | | | | |
| 60020-0000 | 12 | 50 | 4 | 100 | 18753-0178 |
| 60020-0024 | 24 | 50 | 2 | 100 | 18753-0178 |
| 155 SL | | | | | |
| 61050-0080 | 12 | 50 | 5 | 100 | 18753-0528 |
| 61050-1224 | 12/24 | 50 | 5 | 100 | 18753-0528 |
| 146 SL | | | | | |
| 60080-0012 | 12 | 50 | 4 | 175 | 18753-0455 |
| 60080-0024 | 24 | 50 | 2 | 175 | 18753-0455 |
| 233 SL | | | | | |
| 60233-1224H | 12/24 | 55 | 5 | 225 | 1000193-01K |
| 255 SL | | | | | |
| 60010-0012 60010-2012 | 12 | 50 | 4 | 200 | 18753-0336 |
| 60010-0024 60010-2024 | 24 | 50 | 2 | 200 | 18753-0336 |
| Docking Lights (obsolete) | | | | | |
| 42440-0000 | 12 | 100 | 7.5 (each) | | 18753-0287 |
| 42440-0024 | 24 | 150 | 4.0 (each) | | 18753-0462 |



14 Appendices

WARRANTY



Warranty

Xylem Inc. – Jabsco & Rule warrant that at the time of shipment the product manufactured by Xylem and sold hereunder ("the product") shall be in conformity with applicable written specifications and descriptions and will be free from defects in material and workmanship for a period of one year or period stated on the product packaging. The warranty will not extend to a product which becomes defective resulting from damage in the course of transportation or by storage operation use or maintenance in an environment not conforming to the instructions or specifications of Xylem or if the product is altered or modified in any way.

Xylem's sole liability for breach of this warranty will be (at its option) to repair or replace the defective product.

Warranty is only valid with proof of purchase from an authorized Xylem dealer.

Please note that the warranty on the product is with the place of purchase. For further information on Xylem warranties or to make a warranty claim, please contact your local Xylem dealer or visit our website at www.xylemflowcontrol.com.

This warranty does not affect your statutory rights.

This warranty statement is not definitive and will be in addition to our standard terms and conditions.

Factory Authorized Service Centers in the USA

Jabsco Factory Authorized Service Centers' functions include: repair of under-warranty products, repair (for nominal charge) of out-of-warranty pumps, suggesting repair parts for end users, and troubleshooting problem applications and installations.

If you, or your customer, need to return a product for warranty consideration, the following steps should be followed for the best possible service.

1. Call your most convenient service center for a return material authorization (RMA) number. They will, whenever possible, troubleshoot the problem with you or your customer to resolve the claim; but if the product has to be returned, use the RMA number given to you by the customer service representative. Waste system products must be thoroughly cleaned prior to return for repair.
2. When it arrives here, we will review the problem, determine whether it is warranty or not, estimate cost and time required to repair the product, then call you with this information.
3. For problems covered under our one-year limited warranty, repairs will be completed and an itemized list of parts and labor will be enclosed with the product, and it will be returned to you.
4. For problems deemed non-warranty, a verbal authorization will be requested from you for the estimated repair costs. We will then repair the product and return it with a detailed parts and labor breakdown and invoice for the charges.

Jabsco Factory Authorized Service Centers are staffed by capable people who are dedicated to servicing products in the shortest turnaround time and at the lowest cost to you or your customer.

Our regional Marine Service Centers are:

SEARCHLIGHTS

Jabsco Service
363 Granello Avenue
Coral Gables, FL 33146

Tel: 800 856 1583

NORTHEAST REGION

Jabsco Service
11-35 Commercial Street
New Bedford, MA 02741

Tel: 508 992 8084

SOUTHEAST REGION

Jabsco Service
2145 Calumet Street
Clearwater, FL 33765

Tel: 800 446 1656

SOUTHWEST REGION

Jabsco Service
931 West 18th Street
Costa Mesa, CA 92627

Tel: 949 642 6800

NORTHWEST REGION

Jabsco Service
1900 North Northlake Way
Seattle, WA 98103

Tel: 800 426 6930

SOUTH CENTRAL

Jabsco Service
2301 Nasa Road 1
Seabrook, TX 77586

Tel: 281 474 3276

Gulf Coast Service Center for Engine Cooling Pumps:

Bow 2 Stern
229 Sunset Avenue
PO Box 5093
Houma, LA 70361

Tel: 985 876 9915

Toll Free: 888 727 8278

Fax: 985 876 9918

Distributors are encouraged to utilize the Jabsco Factory Authorized Service Center in each region to provide convenient, prompt warranty and non-warranty repairs. (Note: non-repairable, warrantable items should be held for disposition by Jabsco Area Manager – DO NOT SEND TO SERVICE CENTER.)

14 Appendices

MARINE DISTRIBUTORS – EUROPE & NORTH AFRICA



Jabsco Marine Distributors in Europe & North Africa

AUSTRIA

**Alltechnik techn. Geräte
HandelsgesmbH**
Rheinboldtstr. 11-13
Biedermannsdorf, A-2362

Tel: +43 2236 64676-0
Fax: +43 2236 64676-76
Email: office@allroundmarin.com
Web: www.allroundmarin.com

BALTIC STATES (ESTONIA, LATVIA, LITHUANIA)

Alter Baltics
Gaasi 4a, 11415 Tallinn

Tel: +372 6 519 666
Fax: +372 6 519 667
Email: alter@alter.ee
marine@marine.ee
Web: www.marine.ee

BELGIUM

Hunter NV
Smallandlaan 3B
B-2660 Hoboken, Antwerpen

Tel: +32 3 820 55 60
Fax: +32 3 828 49 23
Email: info@hunter.be
Web: www.hunter.be

BULGARIA

BS Marine OOD
Bulstar Str 1, Atia, 8140
Tel: +359 550 42242
Fax: +359 550 42242
Web: www.bulstar.bg

CROATIA

M.A.G.-D.D. d.o.o.
Ivana Meštrovića 27a
HR-22000 Šibenik
Tel: +385 22 213 222
Fax: +385 22 216 128
Email: magdd@magdd.hr

CYPRUS

C A Petrides Ltd
Franklin Roosevelt Av 46
3012 Limassol
Tel: +35 72 5564200
Fax: +35 72 5565123
Email: eugene@cytanet.com.cy

DENMARK

Johs Thornam A/S
Roskildevej 8-10
2620 Albertslund
Tel: +45 4434040
Fax: +45 4434079
Email: thornam@thornam.com
Web: www.thornam.com

EGYPT

**Amsterdam
Alexandria Marine**
Fayrose Building 3
Sidi Gaber, Alexandria
Tel: +20 3424 2384
Fax: +20 3424 2384
Email: info@amp-power.nl
Web: www.amp-power.nl

Dolphin Marine
66 Taweniate Smouha
Sidi Gaber, Alexandria
Tel: +20 3425 2179
Fax: +20 3425 2179
Email: info@dolphin-marine.net
Web: www.dolphin-marine.net

**El Seheemy Marine
Equipment**
48 Youssif Abbas ST
Naser City, Cairo
Tel: +202 02 2404 1950
+202 02 2403 2043
Fax: +202 02 2402 6595
Web: www.seheemy.com

FINLAND

OY Vestek AB
Martinkuja 4
Fin-02270 Espoo
Tel: +358 9887 0120
Fax: +358 9887 01291
Email: vestek@vestek.fi
Web: www.vestek.fi

FRANCE

Kent Marine Equipment
BP 207, 3 Rue de la Dutee (ZIL)
44815 St Herblain - Cedex
Tel: +33 240 92 15 84
Fax: +33 240 92 13 16
Email: contact@kent-marine.com
Web: www.kent-marine.com

Vidal Diffusion Marine
1523 Avenue de Draguignan
Z.I. Toulon Est, 83130 La Garde
Tel: +33 4 94 08 6820
Fax: +33 4 94 08 2659
Email: courrier@vidalmarine.com
Web: www.vidalmarine.com

GERMANY

**Xylem Water Solutions
Deutschland GmbH**
Oststrasse 28
D-22844 Norderstedt
Tel: +49 40 535 373 0
Fax: +49 40 535 373 11
Email:
vertrieb@xylem.de@xyleminc.com

GIBRALTAR

M. Sheppard & Co Ltd
Waterport
GX11 1AA
Tel: +350 20075148
+350 20077183
Fax: +33 4 94 08 2659
+350 20042535
Email: admin@sheppard.gi

GREECE

Alson SA
12th. Km Nat. Road
Athens - Lamia Metamorfosi
GR 144 52
Tel: +30 210 285 5878
Fax: +30 210 285 5879
Email: info@alson.gr
Web: www.alson.gr

Tecrep Marine SA

36 Akti Tr.
Moutsopoulou Str.
185 36 Piraeus
Tel: +30 210 451 4526
Fax: +30 210 418 4280
Email: salestecrepmarine.gr
Web: www.tecrepmarine.gr

HUNGARY

**Allroundmarin
Hungaria Kft**
Festetics Gy u. 48
8360 Keszthely
Tel: +36 83 515 555
Email: office@allroundmarin.hu

ICELAND

Velasalan
Kletttagardar 25
104 Reykjavik
Tel: +354 520 0000
Fax: +354 520 0020
Email: velasalan@velasalan.is
Web: www.velasalan.is

IRELAND

C H Marine Ltd.
Nautic House, Marsh Road
Skibbereen, Co Cork
Tel: +353 28 23 190
Fax: +353 28 22 028
Email: sales@chmarine.com
Web: www.chmarine.com

ISRAEL

**S.AL Technical
Equipment Ltd.**
36 Hamerkava St.
Holon 58859
P.O. Box 93 58008
Tel: +972 3 556 6363
Fax: +972 3 556 6474
Email: dany@saltech.co.il
Web: www.saltech.co.il

ITALY

**Xylem Jabsco Marine
Italia SRL**
Via Tommaseo 6
Vimercate 20871, Milano
Tel: +39 396 852323
Fax: +39 396 66307
Email: info@jabsco.it
Web: www.jabsco.it

LEBANON

Kyriakos Freres
Ain El Mreisseh
Imm kyriakos
B.P 8389, Beirut
Tel: +961 1 362752
Fax: +961 1 368877
Email: kyriakos@cyberia.net.lb
Web: www.kyriakos-lb.com

MALTA

**International Marine
Centre Ltd**
Testaferrata Street
Ta' Xbiex XBX 1405
Tel: +356 2133 2747
Fax: +356 2134 3871
Email: info@imc.com.mt
Web: www.imc.com.mt

NETHERLANDS

Exalto BV
Nijverheidsstraat 12
P.O. Box 40
3370 AA Hardinxveld-Giessendam
Tel: +31 184 615 800
Fax: +31 184 614 045
Email: sales@exalto.com
Web: www.exalto.com

Handelmij.Schulte & Co BV

PO Box 140
3870 CC Hoevelaken
Tel: +31 332534030
Fax: +31 332536574
Email: info@schulteco.nl
Web: www.schulte.co.nl

Lankhorst Taselaar

Postbus 502
8200 AM, Lelystad
Binnenhavenweg 31
8211 AA, Lelystad
(Industrieterrein Oostervaart)
Tel: +31 320 274 611
Fax: +31 320 230 209
Email: sales@lankhorst-taselaar.nl
Web: www.lankhorst-taselaar.nl

NORWAY

Flak a/s
Ski-basen 14-16
Kristiansand S.
Tel: +47 38 05 66 00
Fax: +47 38 04 34 71
Email: tflak@flak.no
Web: www.flak.no

POLAND

Taurus Sea Power
Dzwigowa 13B 80-414
Gdansk
Tel: +48 58 344 3050
+48 58 344 3131
Fax: +48 58 341 6762
Email: taurus@taurus.gda.pl
Web: www.taurus.gda.pl

PORTUGAL

Hidromethods, Lda
Quinta do Lago
Armazém 24
2660-196 St Antão do Tojal
Tel: +351 219 737 580
Fax: +351 219 737 589
Email: geral@hidromethods.pt
Web: www.hidromethods.pt

RUSSIA

Port Arthur Ltd
16 Line V.O. 25B-2H
St. Petersburg, 199178
Tel: +78123213360
Fax: +78123217654
Email: info@portarthur.ru
Web: www.portarthur.ru

Unisail-T

Yakova Gunina,1
Dolgoprudni-3, Moscow
Tel: +74956470445
Fax: +74956269436
Web: www.unisail.ru

SLOVENIA

SKIPPER d.o.o. Portorož
Cesta solinarjev 2
6320 Portorož - Portorose
Tel: +386 5 67 770 10
Fax: +386 5 67 770 13
Email: skipper@siol.net
Web: www.skipper.si

SPAIN

Tecnica de Fluidos S.L.
calle Miguel Hernandez 77 - 79
08908 L'Hospitalet de Llobregat
Tel: +34 902 901 498
Fax: +34 902 947 822
Email: info@tecnicafluidos.es
Web: www.tecnicafluidos.es

SWEDEN

Jan Comstedt AB
Box 12022
402 41 Göteborg
Tel: +46 31-775 65 30
Fax: +46 31-24 53 17
Email: info@comstedt.se
Web: www.comstedt.se

SWITZERLAND

Bucher & Walt SA
Route de Soleure 8
CH 2072 St Blaise NE
Tel: +41 32 755 95 00
Fax: +41 32 755 95 30
Email: info@bucher-walt.ch
Web: www.bucher-walt.ch

TURKEY

**Suat Karaosman - Dizel
Tic Ve San Ltd Sti**
Elmadag Cad 57
Istanbul 34373
Tel: +90 212 248 2170
+90 212 230 6515
Fax: +90 212 230 7392
Email: info@suatkaraosman.com
Web: www.suatkaraosman.com

UKRAINE

Top Yachts Division Group
Naberezhno-Lugovaya 8
Kiev 04071
Tel: +38 044 332 05 10
Fax: +38 044 594 90 19
Email: office@topyachts.com.ua
Web: www.topyachts.com.ua

UNITED KINGDOM

**Cleghorn
Waring & Co (Pumps) Ltd**
Icknield Way, Letchworth Garden City
Hertfordshire SG6 1EZ
Tel: +44 1462 480380
Fax: +44 1462 482422
Email: mail@cleghorn.co.uk
Web: www.cleghorn.co.uk
www.jabsco-shop.co.uk

14 Appendices

MARINE DISTRIBUTORS – AFRICA, MIDDLE AND NEAR EAST, ASIA & AUSTRALASIA



Jabsco Marine Distributors in Africa, Middle and Near East, Asia & Australasia

AUSTRALIA

Pumptec

43 Sydenham Road
Brookvale NSW 2100

Tel: +61 02 9939 4600

Fax: +61 02 9939 4700

Email: info@jabsco.com.au

Web: www.jabsco.com

R.W.Basham Pty. Ltd.

146 Cope Street
Waterloo, NSW 2017

Tel: +61 02 9319 6027

Fax: +61 02 9319 5157

Email: info@rwbmarine.com.au

Web: www.rwbmarine.com.au

Waterfront Marine Services

19-21 Queen Victoria Street
Fremantle, WA 6160

Tel: +61 08 9335 7766

Fax: +61 08 9335 3002

Email: peter@waterfrontmarine.com.au

Web: www.waterfrontmarine.com.au

BAHRAIN

2000 Marine Stores

P.O. Box 26927, Manama

Tel: +973 17 742777

Fax: +973 17 742255

Email: grp2000@batelco.com.bh

Web: www.2000marine.com

CHINA

Holylight Shenzhen Trading Ltd

Unit C22/Seascape Square
No 18, Taizi Road, Shekou
Shenzhen, 518067

Tel: +86 755 26670700

Fax: +86 755 26829418

Email: kholylight@szhotmail.com

M&E Co., Ltd

Rm 1188, No.76 Qingnian Rd
Wuhan, China, 430015

Contact: Jiang, Hui

Tel: +86 27 85732311

Fax: +86 27 85745427

Email: glitter88@126.com

Shanghai Ocean Equipment Co., Ltd

Building 41, Lane 1277
East Zhuanxing Road
Minhang District, Shanghai, 201108

Contact: Tomas Zhu

Tel: +86 21 3430 5312

Fax: +86 21 3430 5310

Email: ocean@ocean-china.com

Web: www.ocean-china.com

HONG KONG

Holylight (H.K.) Trading Co. Limited

10B, Gee Luen Hing Industrial Building
2 Yip Fat Street, Wong Chuk Hang
Hong Kong

Tel: +852 2543 7048

Fax: +852 2543 6156

Email: anthonykyha@gmail.com

Web: www.holylight-marine.com

Kwok Yee Lee

Marine Equipment

Shop B, G/F Sunny Court
79 Ap Lei Chau Main Street
Hong Kong

Tel: +852 2555 0278

Fax: +852 2555 1850

Email: kbetty_83@yahoo.com

Ronsil Development Ltd.

Unit 1704, 17/F, Kodak House II
No.39 Healthy Street East
Hong Kong

Tel: +852 2834 1633

Fax: +852 2834 0201

Email: ronsil@netvigator.com

INDONESIA

PT. Dunia Marine Internusa

Jl. Malaka 2 No. 35
Jakarta Barat 11230

Tel: +62 21 690 3130

Fax: +62 21 690 5615

Email: linah@jasamarine.co.id

Web: www.jasamarine.co.id

Sumber Marine

Jl. Cengkeh No. 21B
Jakarta, 11110

Tel: +62 21 692 5436

+62 21 690 0631

Fax: +62 21 692 9234

+62 21 692 8278

Email: christine@sumbermarine.com

JAPAN

NHK MEC Corporation

3-21-10, Shinyokohama Kouhoku-ku
Yokohama, 222-0033

Tel: +81 45 475 8903

Fax: +81 45 475 8908

Email: murakami.s@nhkmec.com

Web: www.nhkmec.com

KUWAIT

Al-Sabih Marine Equipment Co.
P.O. Box 64155
Shuwaikh B, 70452

Contact: Majid A-Sabih
Tel: +965 4835228
Fax: +965 4819672
Email: alsabihmarine@yahoo.com
alsabih@alsabihmarine.com

Fahed Al Sabih General Trading Co.

Al-Shuwaikh Industrial Area
Al-Maslakh Square
Block 60-60, Street 22

Contact: Prasad P.N.
Tel: +965 4921484
Fax: +965 4928856
Email: 1@qualitynet.net
alsabih1@yahoo.com

M.H. Qabazard Sons General Trading & Contracting Co.

P.O. Box -1660, Safat
13017-Safat
Souk Sharq (Arabian Gulf Street,
opposite Al-Amiri Hospital)

Tel: +965 22411390 Ext. 101
+965 22411054
Email: qabasons@qualitynet.net

MALAYSIA

Edaran Marin Centre Sdn. Bhd.

No 5, Jln PTP 1/2,
Taman Perindustrian Tasik Perdana
47100 Puchong Selangor Darul Ehsan
West Malaysia

Tel: +603 8052 1111
Fax: +603 8088 4863
Email: purchase@edaranmarin.com.my
Web: www.edaranmarin.com.my

MALDIVES

Seagull Group Pvt Ltd

"Narugis" Chaandhane Magu
PO Box 20191, Malé

Tel: +960 332 6539
Fax: +960 3325336
Email: info@seagullmaldives.com
Web: www.seagullmaldives.com

MAURITIUS

Espace Marin Ltd

Avenue Grewals
Les Pailles

Tel: +230 286 0001
+230 258 5455
+230 286 0041
Email: benoit@espacemarin.com
Web: www.espacemarin.com

NEW ZEALAND

Lusty and Blundell Ltd

38 Tawa Drive, Albany 0632
Private Bag Takapuna
Auckland 0622

Tel: +64 09 415 8303
Fax: +64 09 415 8304
Email: sales@lusty-blundell.co.nz
Web: www.lusty-blundell.co.nz

OMAN

OHI Marine LLC

PO Box 889, Muscat 113

Tel: +968 712 240
Fax: +968 712 085
Email: yamarine@omantel.net.om

PHILIPPINES

ALS Marine Center Corp. – Head Office

Unit 5, Southway Bldg.
corner Yakal & Mayapis St.
San Antonio Village, Makati City, 2013

Tel: +63 2 892 9099
+63 2 892 6518
+63 2 817 9149
+63 2 844 1823

Email: cristina@alsmarine.com.ph
Web: www.alsmarine.com.ph

ALS Marine Center Corp. – Malabon Office

121 M.H. Del Pilar St. Tugatog
Malabon City, Philippines

Tel: +63 2 288 7687
+63 2 288 0632

Broadwater Marine – Cebu Office

Bldg. 1 Cebu Yacht Club
Pusok, Lapu-lapu
Cebu City 6015

Tel: +63 32 341 0474
Email: cebu@broadwatermarine.com

Broadwater Marine – Manila Showroom

Asean Park, CCP Complex
Roxas Blvd., Malate
Metro Manila, 1000

Tel: +63 2 832 5027
Email: manila@broadwatermarine.com

Broadwater Marine – Subic Head Office

Lot 14 Magellan's Landing Compound
Argonaut Highway, SBFZ
Olongapo City, 2200

Tel: +63 47 252 5468
Email: subic@broadwatermarine.com
Web: www.broadwatermarine.com

SINGAPORE

Aqua International Pte. Ltd.

Block 642 Rowell Road#02-115
Singapore 200642

Tel: +65 6299 1944
Fax: +65 6299 1957
Email: sales@aquaintl.com
Web: www.aquaintl.com

Marine International Pte. Ltd.

388 East Coast Road
Singapore 428990

Tel: +65 6447 3004
Fax: +65 6447 4110
Email: salesinfo@marine-intl.com.sg
Web: www.marine-intl.com.sg

Marintech Marketing (S) Pte. Ltd.

101 Kitchener Road
#02-14 Jalan Besar Plaza
Singapore 208511

Tel: +65 6298 8171
Fax: +65 6292 3869
Email: marintech@pacific.net.sg

Overseas Motors Pte. Ltd.

19 Fourth Chin Bee Road
Singapore 619705

Tel: +65 6264 7288
Fax: +65 6264 7189
Email: sales@oseamo.com
Web: www.oseamo.com

SOUTH AFRICA

Manex & Marine Power (Pty) Ltd

PO Box 173, Paarden Eiland 7420

Tel: +27 21511 7292
Fax: +27 21510 1487
Email: manex@manex.co.za
Web: www.manex.co.za

SOUTH KOREA

Jonghap Marine Engineering Inc

188-38, DongSam-Dong
Young Do-Ku, Pusan, Korea

Tel: +82 51 403 2381
Fax: +82 51 403 2409
Email: jmepusan@jonghap-jme.co.kr
Web: www.jonghap-jme.co.kr

Marineland Ltd.

59, Eopseong 2-Gil
Cheonan 31077

Tel: +82 41 564 5221
Fax: +82 505 564 0246
Email: kimchanyong@marineland.kr
Web: www.marineland.kr

TAIWAN

God Power International Ltd.

No. 9-32, Nay Keng Road, Taliao
Kaohsiung Hsien, Taiwan 83157

Tel: +886 7 788 5322
Fax: +886 7 788 5320
Email: gp@godpower.com.tw
Web: www.godpower.com.tw

THAILAND

Phuketsail Chandlery

54/125-6 Kosumruamjai Soi 14
Sikan, Don Muang, Bangkok, 10210

Fax: +66 2 981 1377
Email: ecommerce@phuketsail.com
Web: www.phuketsail.com
Skype: phuketsailbkk
phuketsail.call centre

Thai Kolon Co., Ltd.

093/78 15th Floor Centralcity Tower
Moo 12, Banga-Trad Road, Bangna
Bangkok, 10260

Tel: +66 02 745 6468-76
Fax: +66 02 745 6152
Email: natsha@thaikolon.co.th
Web: www.thaikolon.co.th

UNITED ARAB EMIRATES

Exalto Emirates

PO Box: 21567, Kalba Road
Industrial Area 18, Sharjah

Tel: +971 6 5453366
Fax: +971 6 5453377
Email: info@exalto-emirates.com
Web: www.exalto-emirates.com

Mohammad H. Kambar Awazi Est.

PO Box: 704, Dubai, U.A.E

Tel: +971 4 2222464
+971 4 2229858
Fax: +971 4 2224617

Sun-Set Marine Equipment L.L.C

PO Box: 55445, Abu Dhabi, U.A.E.

Tel: +971 2 645 8885
Fax: +971 2 645 8886
Email: ssmarine@emirates.net.ae

14 Appendices

MARINE DISTRIBUTORS – SOUTH AMERICA & CARIBBEAN



Jabsco Marine Distributors in South America & Caribbean

ANTIGUA

Budget Marine Antigua

Jolly Harbor Boatyard
Bolans, Antigua and Barbuda

Tel: +1 268 462 8753
+1 268 460 8625

Fax: +1 268 462 7727

Email: antigua@budgetmarine.com

ARGENTINA

Av. Ramón S Castillo y Calle

1425 - Puerto de Bs. As.
Capital Federal, Argentina

Tel: +54 11 4312 4545
+54 11 4312 5258

Email: info@costanerauno.com.ar

Web: www.costanerauno.com.ar

Trimer

Del Arca 55, San Fernando

Tel: +54 11 4580 0444
+54 11 4580 0440

Email: trimer@trimer.com.ar

Web: www.trimer.com

ARUBA

Budget Marine Aruba

Balashi 75-B, P.O. Box
Oranjestad, Aruba

Tel: +297 585 3796
+297 585 3798

Email: aruba@budgetmarine.com

BAHAMAS

Harbourside Marine

PO Box N4867, East Bay St., Nassau

Tel: +1 242 393 8360
+1 242 394 7659

Lightbourne Marine

PO Box N4894, East Bay St., Nassau

Tel: +1 242 393 5549
+1 242 393 6236

Marlin Marine

PO Box SS-5453, East Bay St., Nassau

Tel: +1 242 393 7873
+1 242 393 0066

BARBADOS

Carter's Fisherman's Corner

Carlisle House, Bridge Town

Tel: +1 246 436 6049

Email: fisherman@carters.bb

BERMUDA

Bermuda Marine Supply

15 Gorham Road, Hamilton HM CX

Tel: +1 441 295 9950

Fax: +1 441 295 7665

Email: marloc@ibl.bm

BONAIRE

Budget Marine Bonaire

Kaya Carlos A. Nicolaas 4

Kralendijk, Bonaire

Nederlandse Antillen

Tel: +599 717 3710

Fax: +599 717 3523

Email: bonaire@budgetmarine.com

BRAZIL

Regatta

Rua Alvarenga 2121, Sao Paulo

Tel: +55 11 3030 3400

Fax: +55 11 814 3422

Email: mpv@regatta.com.br

Web: www.regatta.com.br

BRITISH VIRGIN ISLANDS

Clarence Thomas Ltd.

10 CTL Ave., Pasea Estate
Road Town, Tortola

Tel: +284 494 2359

Fax: +284 494 2959

Email: info@ctlbvi.com

CHILE

Importadora Lyon & Co

Huerfanos 2204, Santiago de Chile

Tel: +56 2 699 4979

Fax: +56 2 672 5523

Email: jalyon.cia@terra.cl

COLOMBIA

Equisnautica

CII 49B 67-38

Medellin

Tel: +57 4 260 9259

Fax: +57 4 430 0430

Email: equisnautica@epm.net.co

COSTA RICA

Instrumar

San Jose

Tel: +506 296 0847

Fax: +506 296 0847

CURAÇAO

Budget Marine

Caracasbaaiweg

Caracasbaaiweg 202

Curaçao, Dutch Caribbean

Tel: +599 9 462 7733

Fax: +599 9 462 7755

Email: curacao@budgetmarine.com

Budget Marine

Pletterijweg

Curaçao, Dutch Caribbean

Tel: +599 9 465-5686

Fax: +599 9 465-5600

Email: parera@budgetmarine.com

ECUADOR

Artipsec

La libertad, calle 15 s/n entre Av 5 y 7,
Peninsula de Santa Elena

Tel: +593 4 278 4971

Email: gerencia@artipesca.com.ec

GRENADA

Budget Marine Curaçao Grenada

P.O. Box 3618, True Blue Bay
True Blue, St. Georges, Grenada

Tel: +1 473 439 1983

Fax: +1 473 439 2037

Email: grenada@budgetmarine.com

GUATEMALA

Pesqueros de Guatemala S.A.

9 Calle 0-10, Zona 9, Guatemala City

Tel: +502 2437 1058

Fax: +502 2331 4602

Representaciones Marinas de Guatemala S.A.

4a Ave. 10-46, Zona 10

Tel: +502 2379 8200

Fax: +502 2379 8206

Email: enrique.moll@representacionesmarina.com

MEXICO**Boats & Golf, S.A. de C.V.**

Plaza Las Palmas Loc. 11
Av. Urano 585, Esq. Ejercito
Mexicano, Boca del Rio, Veracruz

Tel: +52 229 923 0210

Equipasca de Obregon, S.A. de C.V.

Nicolas Bravo 1055 Ote
CP 85000 Ciudad Obregon, Sonora

Tel: +52 644 410 7500

Fax: +52 644 410 7501

Ferreteria Zaragoza

Francisco Medina Ascencio 1600
Colonia Olimpica
C.P. 48330 Puerto Vallarta, Jalisco

Tel: +52 322 222 1436

Fax: +52 322 222 3736

Motonautica Torre

Carretera a Progreso Km 9
Merida, Yucatan

Tel: +52 999 941 2041

Fax: +52 999 941 2076

PANAMA**Abernathy S.A.**

Centro de Pesca, Lanchay y Mar
Urbanizacion Los Angeles,
Via Transistmica Panama

Tel: +507 260 1222

Fax: +507 236 0140

Centro Marino

Ave. Nacional No. 45
Panama City

Tel: +507 225 6331

Fax: +507 227 1526

PERU**Swisscorp**

Centro ejecutivo Pardo
Bologneso 125, Of. 1201
Miraflores, Lima 18

Tel: +511 447 8161

Email: valentin@swisscorp.com.pe

PUERTO RICO**CEA**

655 Ponce de Leon, Stop 36
San Juan PR 00919-0664

Tel: +1 787 751 6570

Email: +1 787 759 9466

SANTO DOMINGO**Auto Marina-Caribbean**

Marine Center, Av. Los Proceres #2
Esq. Euclides, Morillo Rep. Dominican

Tel: +1 809 565 6576

ST. CROIX**Budget Marine St. Croix**

90 Estate Solitude
Christiansted, U.S. Virgin Islands

Tel: +1 340 778 BOAT (2628)

Fax: +1 340 778 2629

Email: stx@budgetmarine.com

ST. MAARTEN**Budget Marine St. Maarten**

Waterfront Road 25B
P.O. Box 434 - Philipsburg
Cole Bay, St. Maarten
Dutch Caribbean

Tel: +721 544 3134

Fax: +721 544 4409

Email: stmaarten@budgetmarine.com

Island Water World

PO Box 234, Wellsberg Rd
Cole Bay, Philipsburg
St. Maarten, N. A.

Tel: +599 544 5310

Fax: +599 544 3299

ST. MARTIN**Budget Marine St. Martin**

L'ile Marine, Sandy Ground Bridge
Rue Lady Fish, Saint-Martin

Tel: +590 590 29 08 60

Fax: +590 590 29 08 96

Email: lile@budgetmarine.com

ST. THOMAS**Budget Marine St. Thomas**

6198 Estate Frydenhoj, St. Thomas
VI 00802, U.S. Virgin Islands

Tel: +1 340 779 2219

Fax: +1 340 714 0466

Email: stthomas@budgetmarine.com

TORTOLA**Budget Marine Tortola**

PO Box 281, Road Town
Tortola, British Virgin Islands

Tel: +1 284 494 2512 Ext. 2335

+1 284 494 6588 Direct

Fax: +1 284 494 0792

Email: tortola@budgetmarine.com

TRINIDAD**Budget Marine**

Western Main Road, Chaguaramas
Trinidad and Tobago

Tel: +1 868 634 2006

Fax: +1 868 634 4382

Email: trinidad@budgetmarine.com

URUGUAY**Lesas SA**

Libres 1574, 11100-Montevideo

Tel: +598 203 1111

Email: gustavolema@bombaslesas.com

US VIRGIN ISLANDS**Island Marine Outfitters**

3812 Crown Bay
St. Thomas, USVI 00802

Tel: +1 340 776 3170

Fax: +1 340 776 8123

VENEZUELA**Ralph Gonzalez**

Calle 77 No. 3G-39, Maracaibo

Tel: +58 261 791 4287

Fax: +58 261 791 0944

Tornillos El Capitán

1a Transversal, Urb. Miramar, Maiquetía

Tel: +58 212 331 0242

Fax: +58 212 331 6934

Email: info@tornilloselcapitan.com

Web: www.tornilloselcapitan.com

Vemasca

Porlamar, Isla Mararita

Tel: +58 95 64 1646

Fax: +58 95 64 2529

14 Appendices

CONVERSION TABLES

Volumatic Rate of Flow

| MULTIPLY | LITERS PER SEC | LITERS PER MIN | CUBIC METERS PER HOUR | CUBIC FEET PER HOUR | CUBIC FEET PER MIN | IMPERIAL GALLONS PER MIN | US GALLONS PER MIN | US BARRELS PER DAY |
|--------------------------|----------------|----------------|-----------------------|---------------------|--------------------|--------------------------|--------------------|--------------------|
| liters per sec | 1 | 60 | 3.6 | 127.1 | 21.19 | 13.2 | 15.85 | 543.4 |
| liters per min | 0.1667 | 1 | 0.06 | 2.119 | 0.03532 | 0.22 | 0.2642 | 9.057 |
| cubic meters per hour | 0.2778 | 16.67 | 1 | 35.31 | 0.5886 | 3.666 | 4.403 | 150.9 |
| cubic feet per hour | 0.007865 | 0.4719 | 0.02832 | 1 | 0.01667 | 0.1038 | 0.1247 | 4.275 |
| cubic feet per min | 0.4719 | 28.32 | 1.6999 | 60 | 1 | 6.229 | 7.481 | 256.5 |
| imperial gallons per min | 0.07577 | 4.546 | 0.2727 | 9.633 | 0.1606 | 1 | 1.201 | 41.17 |
| US gallons per min | 0.06309 | 3.785 | 0.2271 | 8.021 | 0.1337 | 0.8327 | 1 | 34.29 |
| US barrels per day | 0.00184 | 0.1104 | 0.0006624 | 0.2339 | 0.0003899 | 0.02428 | 0.02917 | 1 |

Pressure

| MULTIPLY | BAR | PSI (LBF/IN ²) | CM WATER (39.2°F, 4°C) | INCH OF WATER (39.2°F, 4°C) | FOOT OF WATER (39.2°F, 4°C) | KILOPASCAL (KPA) |
|-----------------------------|-------------|----------------------------|------------------------|-----------------------------|-----------------------------|------------------|
| bar | 1 | 14.50377 | 1019.74 | 401.474 | 33.4562 | 100 |
| psi (lbf/in ²) | 0.06894757 | 1 | 70.3089 | 27.6807 | 2.30673 | 6.894757 |
| cm of water (39.2°F, 4°C) | 0.000980638 | 0.0142230 | 1 | 0.393701 | 0.0328084 | 0.0980638 |
| inch of water (39.2°F, 4°C) | 0.00249082 | 0.0361263 | 2.54 | 1 | 0.0833334 | 0.249082 |
| foot of water (39.2°F, 4°C) | 0.0298898 | 0.433515 | 30.48 | 12.0213 | 1 | 2.98898 |
| kilopascal (kPa) | 0.01 | 0.1450377 | 10.1974 | 4.01474 | 0.334562 | 1 |

Volume & Capacity

| MULTIPLY | CUBIC FEET | IMPERIAL GALLONS | CUBIC METERS | LBS. OF WATER |
|------------------|------------|------------------|--------------|---------------|
| cubic feet | 1 | 6.229 | 0.0283 | 62.3 |
| imperial gallons | 0.1605 | 1 | 0.00454 | 10 |
| cubic meters | 35.31 | 220 | 1 | 2199 |
| lbs. of water | 0.016 | 0.1 | 0.00045 | 1 |

Temperature

| TO CONVERT FROM | TO FAHRENHEIT | TO CELSIUS | TO KELVIN |
|-----------------|---------------------------|------------------|---------------------------|
| Fahrenheit (F) | F | $(F - 32) * 5/9$ | $(F - 32) * 5/9 + 273.15$ |
| Celsius (C) | $(C * 9/5) + 32$ | C | $C + 273.15$ |
| Kelvin (K) | $(K - 273.15) * 9/5 + 32$ | $K - 273.15$ | K |

Capacity & Flow Rate

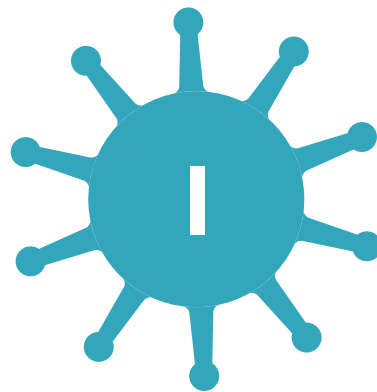
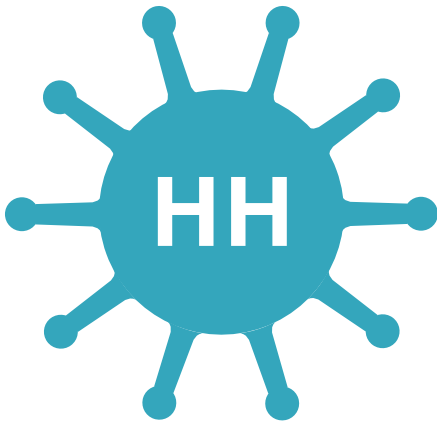
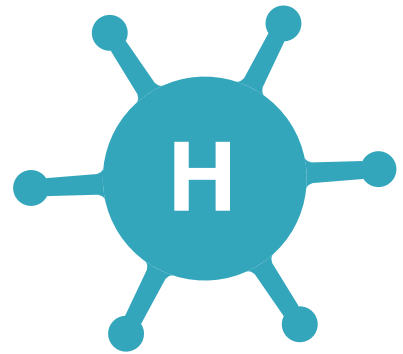
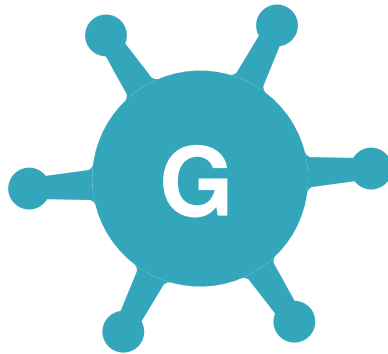
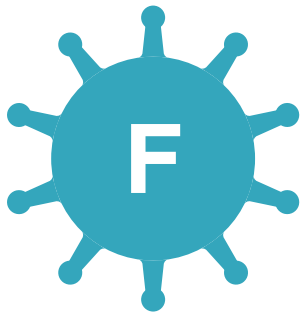
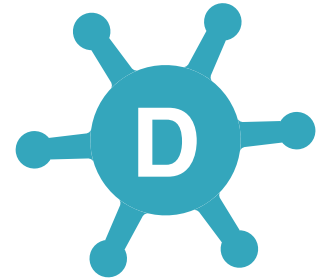
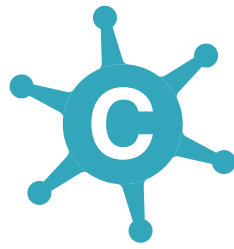
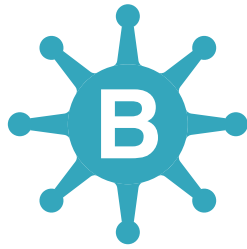
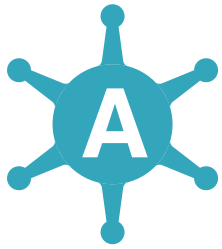
| MULTIPLY | M ³ /HOUR | LITER/SEC | LITER/MIN | M ³ /SEC (CUMEC) | UK GPM | US GPM | FT ³ /SEC (CUSEC) | WATER UK TON/HOUR | WATER TONNE/HOUR |
|------------------------------|----------------------|-----------|-----------|-----------------------------|--------|--------|------------------------------|-------------------|------------------|
| m ³ /hour | 1 | 0.278 | 16.66 | 0.000278 | 3.666 | 4.4 | 0.00981 | 0.982 | 1 |
| liter/sec | 3.6 | 1 | 60 | 0.001 | 13.2 | 15.83 | 0.00353 | 3.528 | 3.6 |
| liter/min | 0.06 | 0.0167 | 1 | 1.66×10^{-5} | 0.2199 | 0.264 | 0.000588 | 0.059 | 0.06 |
| m ³ /sec (cumec) | 3600 | 1000 | 60,000 | 1 | 13,200 | 15,800 | 35,315 | 3532 | 3600 |
| UK GPM | 0.272 | 0.0757 | 4.546 | 0.000757 | 1 | 1.2 | 0.002267 | 0.268 | 0.272 |
| US GPM | 0.227 | 0.0632 | 3.785 | 0.000063 | 0.833 | 1 | 0.00223 | 0.223 | 0.227 |
| ft ³ /sec (cusec) | 101.9 | 28.32 | 1698 | 0.0283 | 374 | 449 | 1 | 100 | 101.9 |
| water UK ton/hour | 1.02 | 0.283 | 17 | 0.000283 | 3.73 | 4.48 | 0.01 | 1 | 1.02 |
| water tonne/hour | 1.005 | 0.278 | 16.7 | 0.000278 | 3.666 | 4.41 | 0.0098 | 0.98 | 1 |

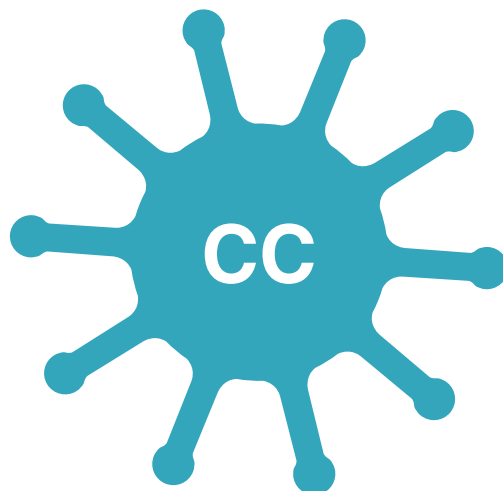
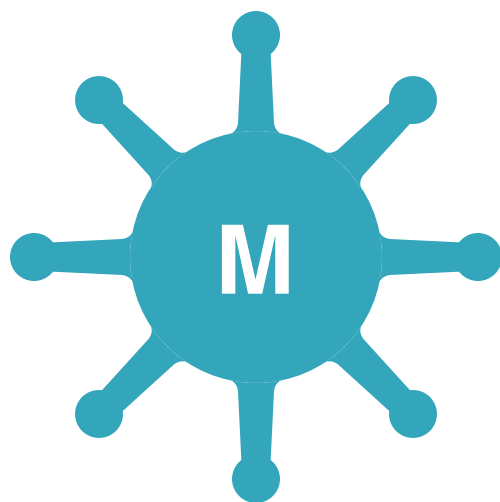
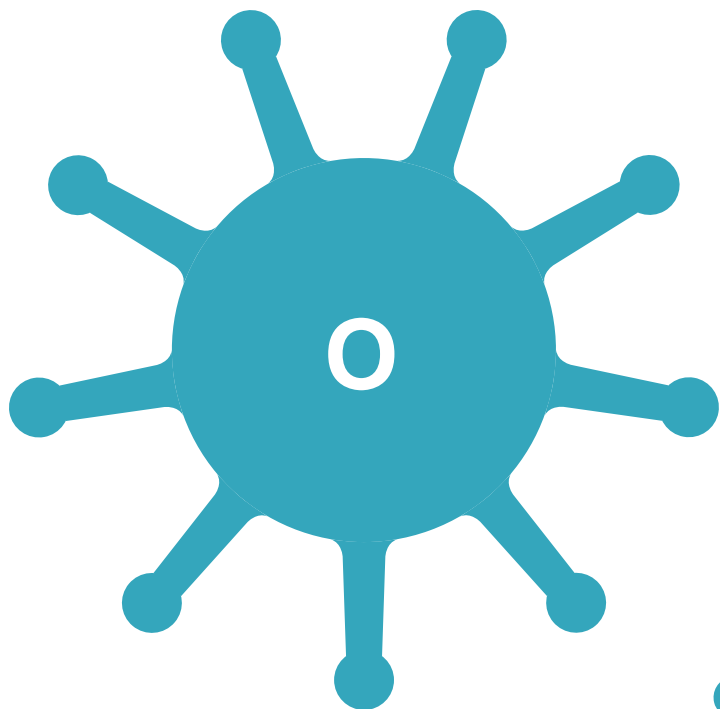
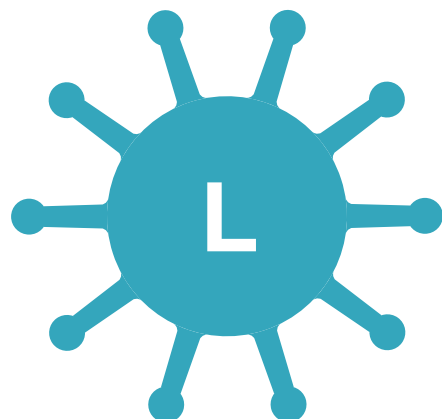
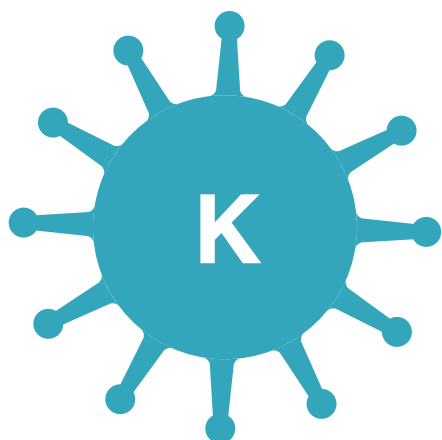
Length

| MULTIPLY | METERS | INCHES | FEET | MILLIMETERS | MILES | KILOMETERS |
|-------------|---------|---------|-----------|-------------|------------------------|------------|
| meters | 1 | 39.37 | 3.2808 | 1000 | 0.0006214 | 0.001 |
| inches | 0.0254 | 1 | 0.0833 | 25.4 | 0.00001578 | 0.0000254 |
| feet | 0.3048 | 12 | 1 | 304.8 | 0.0001894 | 0.0003048 |
| millimeters | 0.001 | 0.03937 | 0.0032808 | 1 | 6.214×10^{-7} | 0.000001 |
| miles | 1609.35 | 63.36 | 5.286 | 1609.35 | 1 | 1.60935 |
| kilometers | 1 | 39.37 | 3280.83 | 1000 | 0.62137 | 1 |

14 Appendices

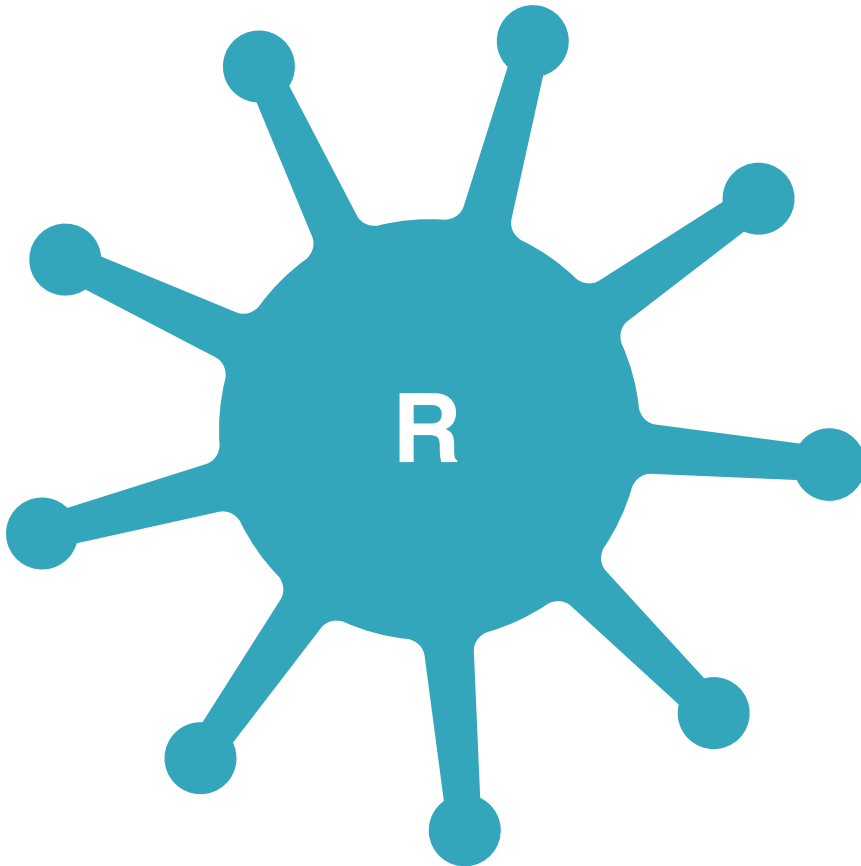
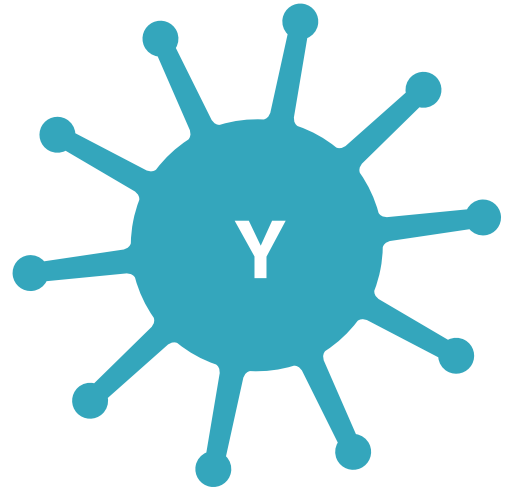
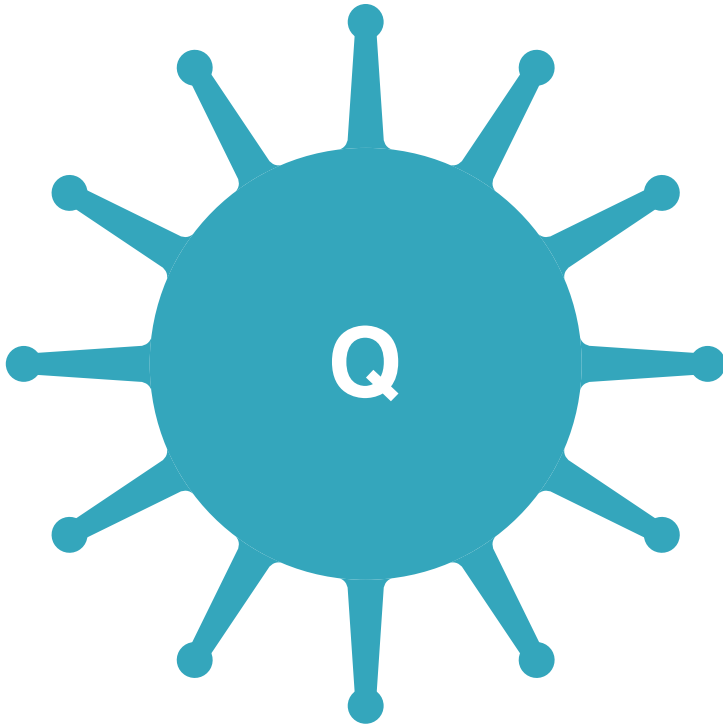
IMPELLER REPLACEMENT PROFILES

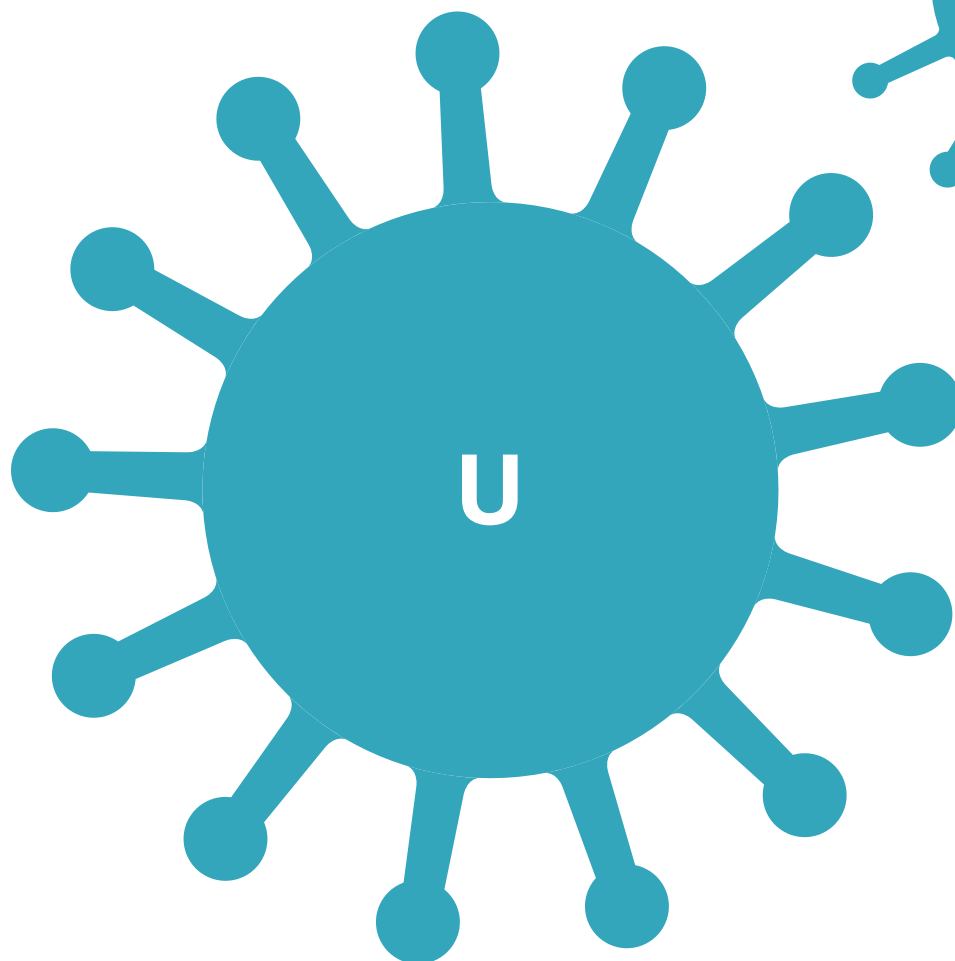
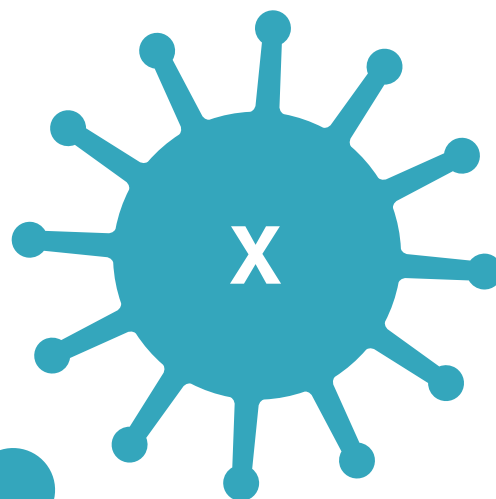
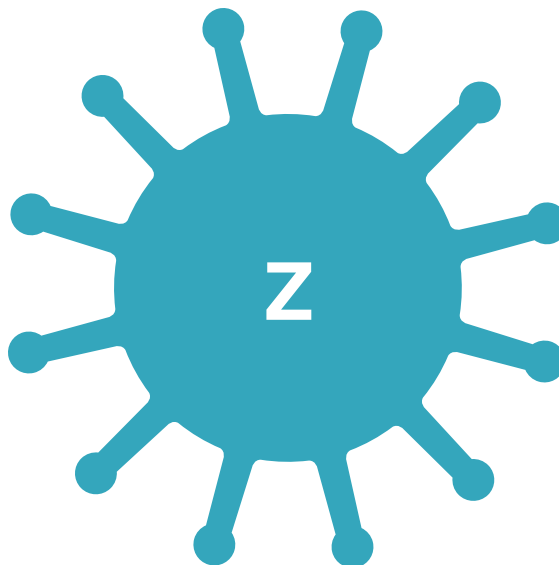




14 Appendices

IMPELLER REPLACEMENT PROFILES







LET'S KEEP ON SUPPORTING CUSTOMERS

If you need:

- Technical support
- Advice
- Technical data
- How-to videos
- Problem solving

VISIT WWW.JABSCOTECH.COM

We are fortunate to have a strong, experienced and knowledgeable team, and through our dedicated people, we have the ability to deliver on many levels. We are constantly striving to provide the best service, quality and end product for our customers. This will always remain a key component of what we do and the way we work.

www.jabscotech.com

xylem
Let's Solve Water

Xylem |'zīləm|

- 1) The tissue in plants that brings water upward from the roots;
- 2) a leading global water technology company.

We're a global team unified in a common purpose: creating innovative solutions to meet our world's water needs. Developing new technologies that will improve the way water is used, conserved, and re-used in the future is central to our work. We move, treat, analyze, and return water to the environment, and we help people use water efficiently, in their homes, buildings, factories and farms. In more than 150 countries, we have strong, long-standing relationships with customers who know us for our powerful combination of leading product brands and applications expertise, backed by a legacy of innovation.

For more information on how Xylem can help you, go to www.xylem.com



UNITED STATES

100 Cummings Center Dr. 17942 Cowan
Suite 535-N Irvine, CA 92614
Beverly, MA 01915 Tel: +1 949 608 3900
Tel: +1 978 281 0440 Fax: +1 949 608 3888
Fax: +1 978 283 2619

UNITED KINGDOM

Bingley Road, Hoddesdon
Hertfordshire EN11 0BU
Tel: +44 1992 450145
Fax: +44 1992 450145

ITALY

Via Tommaseo, 6, 20059
Vimercate, Milano
Tel: +39 039 6852323
Fax: +39 039 666307

GERMANY

Oststraße 28
22844 Norderstedt
Tel: +49 40 53 53 730
Fax: +49 40 53 53 73 11

CHINA

32/F Tower A, Hongqiao
City Center of Shanghai
100 Zunyi Road
Shanghai 200051
Tel: +86 21 2208 2888
Fax: +86 21 2208 2999



ACCURACY AND COMPLETENESS OF INFORMATION

All information in this literature regarding products and services provided by Jabsco & Rule is subject to change without prior notice. Reasonable efforts are taken to ensure the accuracy and integrity of all information provided here, but Jabsco & Rule is not responsible for misprints, out-of-date information, or errors. Jabsco & Rule makes no warranty, express or implied, or assumes any legal liability or responsibility for the accuracy or completeness of any information contained in this literature.



Marine Product Catalog

www.jabscosales.com