

Cummins **Onan**



# Parts Manual

## Marine Generator Set

MDKDP (Spec A)

MDKDR (Spec A)

MDKDV (Spec A)



## Introduction

This catalog applies to the standard marine generator sets listed below. Parts are arranged in groups of related items and each illustrated part is identified by a reference number corresponding to the same reference number in the parts list. Parts illustrations are typical. Unless otherwise mentioned in the description or page heading, parts are interchangeable between models. Throughout this catalog left and right sides are determined by facing the engine end (front) of the set.

<u>MODEL</u>	<u>HERTZ</u>
13.5MDKDP/*	50
17MDKDP/*	60
17.5MDKDR/*	50
21.5MDKDR/*	60
19MDKDV/*	50

\* – The diagonal line (/) in the model and specification number separates generator set characteristics from the specification number and letter. The specification number denotes customer requested options or deviations from the standard model. The specification letter advances (A to B, B to C, etc.) with major manufacturing changes.

### WIRING DIAGRAM

A049H027      A





**THIS PAGE INTENTIONALLY LEFT BLANK**



# Index

## A

Actuator, Governor, **34**  
Adapter, Dry Exhaust, **55**  
Adapter, Engine, **12**  
Adapter, Fuel Return Pipe, **35**  
Adapter, Oil Drain, **25**  
Alternator, **30**  
Alternator (Isolated Ground), **33**  
Alternator (Neg Gnd), **30**  
Apparatus, Idling , **17**  
Assy Filter, Oil , **26**  
Assy, Alternator Brush Holder (Negative Ground, 12V), **32**  
Assy, Alternator Brush Holder (Negative Ground, 24V), **31**  
Assy, Connecting Rod, **9**  
Assy, Control (eSDD), **74**  
Assy, Control PCB, **75**  
Assy, Coolant Water Pump, **28 , 29**  
Assy, Cylinder Head, **19**  
Assy, Engine Mount, **59**  
Assy, Engine Panel, **74 , 76**  
Assy, Flywheel, **12**  
Assy, Gearcase, **24**  
Assy, Generator Rotor, **69**  
Assy, Idle Gear, **11**  
Assy, Rocker Arm, **20**  
Assy, Rocker Arm Shaft, **20**  
Assy, Water Separator Drain, **38**  
Assy, Water Separator Pump, **38**  
Assy, Water Separator Replacement Head, **38**

## B

Baffle, Air, **69**  
Ball, Crankshaft, **10**  
Bar, Bus, **60**  
Barb, Keel Cooling (Dry Exhaust), **47**  
Base, Generator Mounting, **59**  
Base, Mounting, **59**  
Bearing, Alternator (Negative Ground, 24V), **31**  
Bearing, Ball, **14**  
Bearing, Connecting Rod, **9**  
Bearing, Crankshaft, **10**  
Bearing, Generator, **69**  
Bearing, Lower Thrust , **10**  
Bearing, Upper Thrust , **10**  
Bearing, Water Pump, **46**  
Belt, **30**  
Block, Cylinder, **7 , 8**  
Box, Control, **72**  
Bracket, Adjustable Alternator, **33**  
Bracket, Alternator (Isolated Ground), **33**  
Bracket, Alternator (Neg Gnd), **30**  
Bracket, Fan, **62**  
Bracket, Fan Guard, **61**  
Bracket, Guard, **61**  
Bracket, Isolated Ground, **58**

Bracket, Mounting, **83**  
Bracket, Mounting Pad, **50**  
Bracket, Oil Drain, **25**  
Bracket, PTO, **50**  
Bracket, PTO (Right), **50**  
Bracket, Remote Separator Mounting, **37**  
Bracket, Rocker Arm, **20**  
Breaker Circuit, **76**  
Breaker, Circuit, **73**  
Breather, **23**  
Brush, Alternator (Negative Ground, 12V), **32**  
Brush, Alternator (Negative Ground, 24V), **31**  
Bulkhead Assy, Exhaust, **52**  
Bulkhead, Exhaust Connector, **54**  
Bushing, Connecting Rod, **9**  
Bushing, Idle Gear, **11**

## C

Cable, **83**  
Cam, Water Pump, **46**  
Camshaft, **11**  
Camshaft, Fuel, **14**  
Cap, Coolant Recovery Tank, **49**  
Cap, Coolant Tank, **48**  
Cap, Cylinder Block Sealing, **8**  
Cap, Valve, **20**  
Clamp, Fuel Return Hose, **35**  
Clamp, Nozzle Pipe, **21**  
Collar, Alternator (Negative Ground, 12V), **32**  
Collar, Alternator (Negative Ground, 24V), **31**  
Collar, Crankshaft , **10**  
Collar, Idle Gear, **11**  
Collet, Valve Spring, **20**  
Components, Alternator (Negative Ground, 12V), **32**  
Components, Alternator (Negative Ground, 24V), **31**  
Components, Control Panel (Breaker Switch), **76**  
Components, Control Panel (NIM), **74**  
Components, Injection Pump, **18**  
Components, Water Pump, **46**  
Components, Water Separator, **38**  
Connector, Hose, **40**  
Contact, Relay, **74**  
Control Harness, **79**  
Control, Box, **73**  
Converter, **83**  
Cooler, Oil, **27**  
Cooling, Keel (Dry Exhaust), **47**  
Cord, Glow Plug, **21**  
Coupling, Dry Exhaust Reducer, **55**  
Coupling, PTO, **50**  
Cover, Access, **63**  
Cover, Alternator Bearing (Negative Ground, 12V), **32**  
Cover, Alternator Bearing (Negative Ground, 24V), **31**  
Cover, Alternator End (Negative Ground, 12V), **32**  
Cover, Alternator End (Negative Ground, 24V), **31**  
Cover, Box Control, **73**

# Index

Cover, Breather, **23**  
Cover, Cylinder Head, **23**  
Cover, Enclosure (Rear), **62**  
Cover, Water Pump, **46**  
Crankshaft, **10**

## D

Disc, Generator Drive, **69**

## E

Elbow, Keel Cooling (Dry Exhaust), **47**  
Element, Water Separator, **38**  
Endbell, **69**  
Engine, Replacement, **7 , 8**  
Exchanger, Heat, **42**  
Exhaust, Bulkhead, **52**  
Exhaust, Dry, **55**  
Exhaust, Wet, **54**

## F

Fan, Generator, **69**  
Filter, Fuel, **35 , 84**  
Filter, Oil, **26 , 84**  
Flange, Coolant Water Pump, **28 , 29**  
Flange, Dry Exhaust, **55**  
Flange, Water Outlet, **22**  
Flange, Water Return, **24**  
Frame, Alternator Drive End (Negative Ground, 24V), **31**  
Frame, Alternator End (Negative Ground, 12V), **32**

## G

Gasket, Bearing Housing Cover, **13**  
Gasket, Coolant Water Pump, **28 , 29**  
Gasket, Cylinder Block Plug, **8**  
Gasket, Cylinder Head, **19**  
Gasket, Dry Exhaust, **55**  
Gasket, Dry Exhaust Adapter, **55**  
Gasket, Exhaust Manifold, **53**  
Gasket, Injection Pump Cover, **17**  
Gasket, Injection Pump Hollow Screw, **18**  
Gasket, Mixer, **54**  
Gasket, Nozzle, **21**  
Gasket, Oil Pan, **25**  
Gasket, Oil Pan Plug, **25**  
Gasket, Oil Pump, **7 , 8**  
Gasket, Pump Cover, **7 , 8**  
Gasket, Riser/Adapter, **53**  
Gasket, Solenoid Cover, **34**  
Gasket, Speed Control Plate, **15**  
Gasket, Thermostat Cover, **22**

Gasket, Water Outlet Flange, **22**  
Gear, Camshaft, **11**  
Gear, Crankshaft , **10**  
Gear, Oil Pump Drive, **7 , 8**  
Gearcase Assy, **24**  
Generator, **69**  
Governor, **16**  
Grommet, Generator, **69**  
Ground, Isolated, **58**  
Guard, Belt and PTO Belt, **61**  
Guide, Card, **73**  
Guide, Valve, **19**

## H

Hanger, Coolant Recovery Tank, **49**  
Harness, Accessory, **73**  
Harness, Battery, **70 , 71**  
Harness, Control , **79**  
Harness, Ground, **58**  
Harness, Isolated Ground, **58**  
Harness, Junction, **81**  
Harness, Remote Control Panel, **77**  
Harness, Remote Extension, **81 , 82**  
Harness, Remote Panel, **78**  
Harnesses, **80**  
Head, Cylinder, **19**  
Holder, Nozzle, **21**  
Hose, Coolant Tank Upper, **48**  
Hose, Exhaust Manifold, **43**  
Hose, Fuel, **36**  
Hose, Intake, **51**  
Hose, Keel Cooling (Dry Exhaust), **47**  
Hose, Wet Exhaust, **54**  
Housing, Generator, **62**  
Housing, Main Bearing, **13**

## I

Idle, **17**  
Impeller, Water Pump, **46**  
Inlet, Water, **39**  
Insulation, Cover, **62**  
Insulation, Duct (W/O PTO), **66**  
Insulation, Enclosure, **62**  
Insulation, Panel, **62**  
Insulation, Panel , **62**  
Insulation, Roof, **63**  
Insulation, Roof End, **66**  
Isolator, Mounting, **59**  
Isolator, Vibration, **73**

# Index

## J

Joint, Intake Manifold Pipe, **51**

## K

Keel Cooling, **45**  
Key, Camshaft, **11**  
Key, Crankshaft , **10**  
Key, Fan Drive Pulley, **30**  
Key, Oil Pump, **7 , 8**  
Key, Water Pump, **46**  
Kit, Coolant Recovery, **49**  
Kit, Cruise, **84**  
Kit, Exhaust, **47**  
Kit, Exhaust (Wet), **54**  
Kit, Exhaust Adapter, **55**  
Kit, Exhaust Flange, **55**  
Kit, Isolated Ground, **58**  
Kit, Keel Cooling (Dry Exhaust), **47**  
Kit, Major Water Pump Service, **46**  
Kit, Minor Water Pump Service, **46**  
Kit, Muffler, **57**  
Kit, Muffler/Water Separator, **57**  
Kit, Remote Control Panel, **77**  
Kit, Remote Control Panel Switch Harness, **77**  
Kit, Remote Fuel/Water Separator, **37**  
Kit, Remote Panel, **78**  
Kit, Sender, **22**  
Kit, Siphon Break, **40**  
Kit, Water Separator, **57**  
Kit, Water Separator Metal Bowl Replacement, **38**  
Kit, Water Separator O'Ring , **38**  
Kits, **84**

## L

Label, Information (Control), **76**  
Labels, **84**  
Lever, Governor, **16**  
Lines, Fuel Transfer, **36**

## M

Manifold, Exhaust, **53**  
Manifold, Intake, **51**  
Meter, Hour, **76 , 78**  
Mixer, **54**  
Module, Remote Control, **83**  
Mounting, Printed Circuit Board, **75**  
Muffler, **57**  
Muffler, Dry Exhaust, **56**

## N

Nipple, Keel Cooling (Dry Exhaust), **47**  
Nozzle, **21**

## O

O'Ring, Crankshaft, **10**  
O'Ring, Gearcase, **24**  
O'Ring, Water Pump, **46**

## P

Pan, Oil, **25 , 83**  
Panel, Access, **65**  
Panel, Air Baffle, **62**  
Panel, Control, **76**  
Panel, Control Box, **76**  
Panel, Duct (W/O PTO), **66**  
Panel, Enclosure (W/PTO), **67**  
Panel, Generator Housing, **62**  
Panel, Housing, **62**  
Panel, Remote (Switch Only), **77**  
Panel, Remote (Switch/Hourmeter), **78**  
Panel, Roof, **63**  
Panel, UMC Mounting, **75**  
PCB, **73**  
Pin, Cylinder Block Pipe, **8**  
Pin, Cylinder Block Straight, **7 , 8**  
Pin, Gearcase, **24**  
Pin, Piston, **9**  
Pin, Rocker Arm Spring, **20**  
Pipe, Injection, **21**  
Pipe, Overflow, **21**  
Pipe, Water Return, **8 , 22**  
Piston, **9**  
Plate, Alternator Retainer (Negative Ground, 12V), **32**  
Plate, Alternator Retainer (Negative Ground, 24V), **31**  
Plate, Speed Control, **15**  
Plate, Water Pump Wear, **46**  
Plug, Coolant Tank Hex Pipe, **48**  
Plug, Cylinder Block, **7 , 8**  
Plug, Cylinder Head, **19**  
Plug, Gearcase, **24**  
Plug, Glow, **21**  
Plug, Hole, **62**  
Plug, Oil Pan, **25**  
Plug, Water Outlet Flange, **22**  
Plug, Water Separator, **38**  
Plunger, Pump, **18**  
PTO, **50**  
Pulley, Alternator (Isolated Ground), **33**

## Index

Pulley, Alternator (Negative Ground, 12V), **32**  
Pulley, Alternator (Negative Ground, 24V), **31**  
Pulley, Fan Drive (Neg Gnd), **30**  
Pump, Keel Cooling Raw Water (Wet Exhaust), **45**  
Pump, Oil, **8**

## R

Rectifier, Alternator (Negative Ground, 12V), **32**  
Regulator, Alternator (Negative Ground, 12V), **32**  
Relay, Isolated Ground Solenoid, **58**  
Resonator, Intake, **51**  
Retainer, Endbell, **69**  
Retainer, Valve Spring, **20**  
Ring, Piston Retaining, **9**  
Ring, Water Pump Retaining, **46**  
Riser, Exhaust, **55**  
Riser, Wet Exhaust, **54**  
Rivet, Drive Plastic, **74**  
Rod, Push, **11**  
Rotor, Exciter, **69**

## S

Seal, Brush, **62**  
Seal, Crankshaft Oil, **10**  
Seal, Heat, **21**  
Seal, Main Bearing Housing Oil, **13**  
Seal, Valve Stem, **20**  
Seal, Water Pump Lip, **46**  
Seal, Water Pump Mechanical, **46**  
Seal, Weather (15.6'), **64**, **65**  
Seat, Spring, **18**  
Seat, Valve, **24**  
Sender, Low Coolant, **48**  
Sender, Oil Pressure, **25**  
Sender, Water Temperature, **22**  
Separator, **57**  
Separator, Remote Fuel/Water, **37**  
Separator, Remote Fuel/Water Separator, **37**  
Separator, Water, **57**  
Set, Ring, **9**  
Shaft, Fork Level, **16**  
Shaft, Idle Gear, **11**

Shaft, Water Pump, **46**  
Shield, Sound, Engine (Cover), **63**, **64**  
Shield, Sound, Engine (Front and Rear), **66**  
Shield, Sound, Engine (Front with PTO), **67**  
Shield, Sound, Engine (Side Panel), **65**  
Shim, PTO, **50**  
Siphon, Break, **40**  
Sleeve, **83**  
Sleeve (Optional), **79**  
Sleeve, Air Intake, **51**  
Slinger, Oil, **10**  
Socket, Relay, **79**  
Spacer, Generator Fan, **69**  
Spring, Alternator Brush (Negative Ground, 12V), **32**  
Spring, Alternator Brush (Negative Ground, 24V), **31**  
Spring, Rocker Arm, **20**  
Spring, Valve, **20**  
Stator, Generator, **69**  
Stator, Wound, **69**  
Stopper, Camshaft, **11**  
Stopper, Fuel Camshaft, **14**  
Strainer, Water Pickup, **57**  
Strap, Electrical, **60**  
Switch, High Exhaust Temperature, **54**  
Switch, Remote Control Panel Rocker (S11), **77**  
Switch, Rocker (S11), **78**  
System, Fuel, **35**  
System, Grounding, **60**

## T

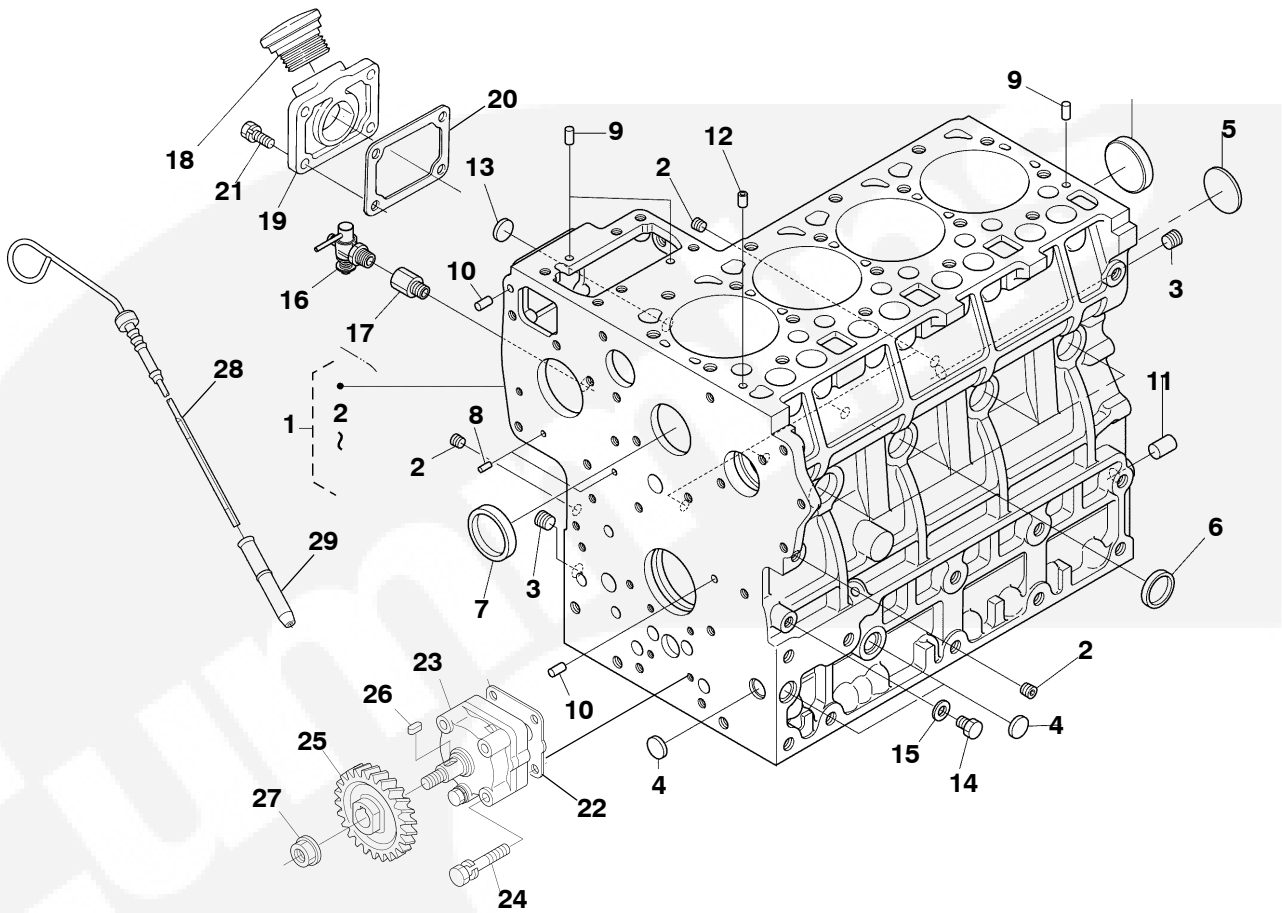
Tank, Coolant, **48**  
Tappet, **11**  
Tee, Keel Cooling, **47**  
Thermostat, **22**  
Tube, Breather, **23**  
Tube, Flexible Exhaust, **56**  
Tube, Oil Pickup, **25**

## V

Valve, **20**  
Valve, Check, **40**



## Cylinder Block 13.5 MDKDP

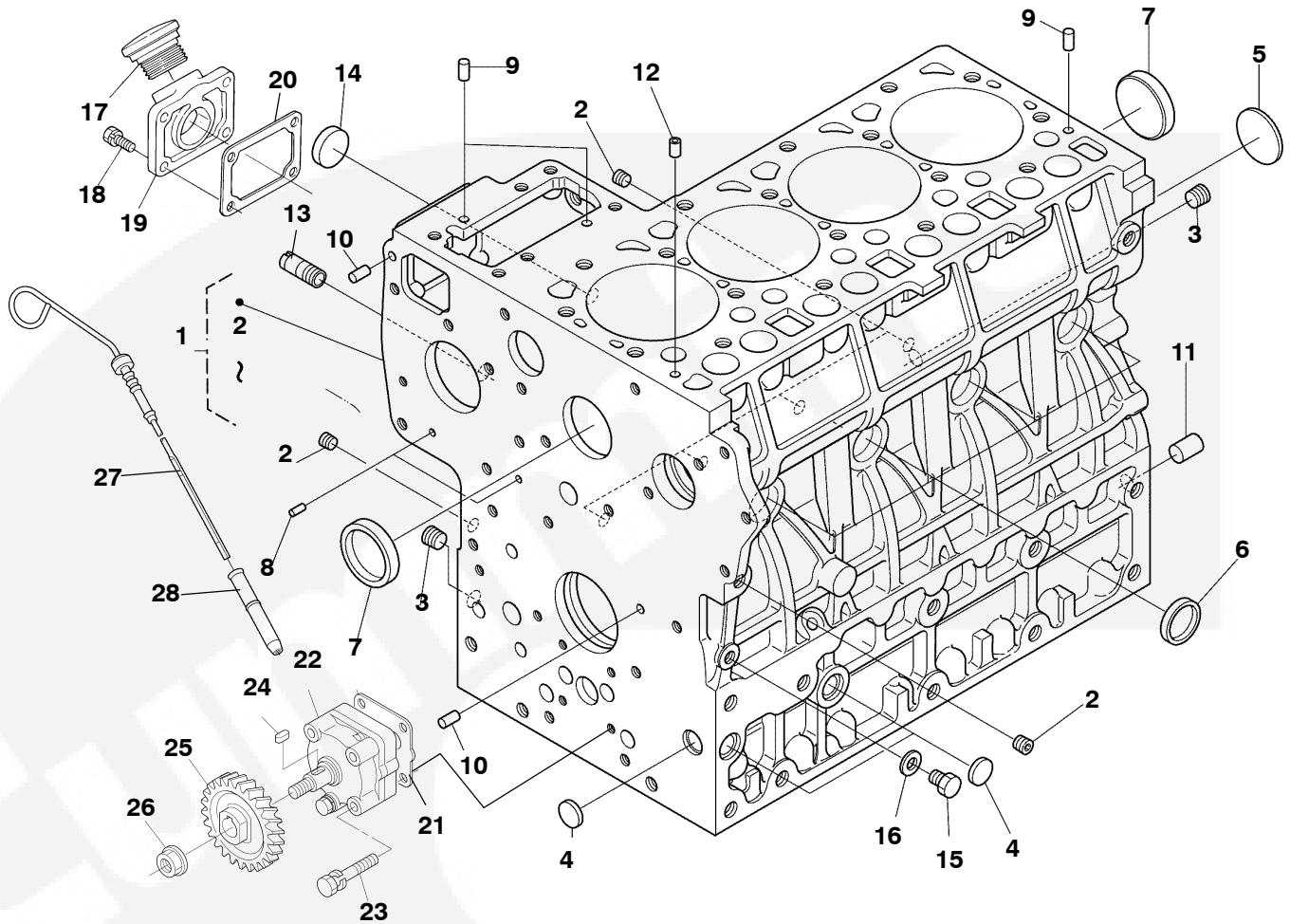


REF NO.	PART NO.	QTY USED	PART DESCRIPTION	REF NO.	PART NO.	QTY USED	PART DESCRIPTION
			Engine, Replacement	16	185-5846	1	Drain, Valve
	A045Y108	1	12V	17	185-5847	1	Joint, Drain
	A045Y110	1	24V	18	517-0452	1	Plug, Oil Filler
1		1	Block Assy, Cylinder (Includes Parts Marked *)	19	123-2429	1	Flange, Oil Filler
2	185-2233	6	*Plug	20	101-0837	1	Gasket, Pump Cover
3	185-2234	2	*Plug	21	185-2386	4	Bolt
4	185-6121	3	*Plug, Expansion	22	185-5849	1	Gasket, Oil Pump
5	185-6040	1	*Plug, Expansion	23	185-5848	1	Assy Pump, Oil
6	185-5840	6	*Cap, Sealing	24	185-7069	4	Bolt
7	185-5841	2	*Cap, Sealing	25	185-5851	1	Gear, Oil Pump Drive
8	185-5842	2	*Pin, Straight	26	185-2352	1	Key
9	185-2350	3	*Pin, Straight	27	185-7031	1	Nut, Flange
10	185-5843	2	*Pin, Straight	28	123-2424	1	Gauge, Oil
11	185-5844	1	*Pin, Straight	29	123-2262	1	Guide, Oil Gauge
12	185-2094	1	*Pin, Pipe				
13	185-5483	1	*Cap, Sealing				
14	517-0373	1	Plug				
15	185-2338	1	Gasket				

\* - Parts Included in Keel Cooling Kit Found on Keel Cooling Dry Exhaust Page).

## Cylinder Block

### 17 MDKDP, 17.5 and 21.5 MDKDR and 19 MDKDV

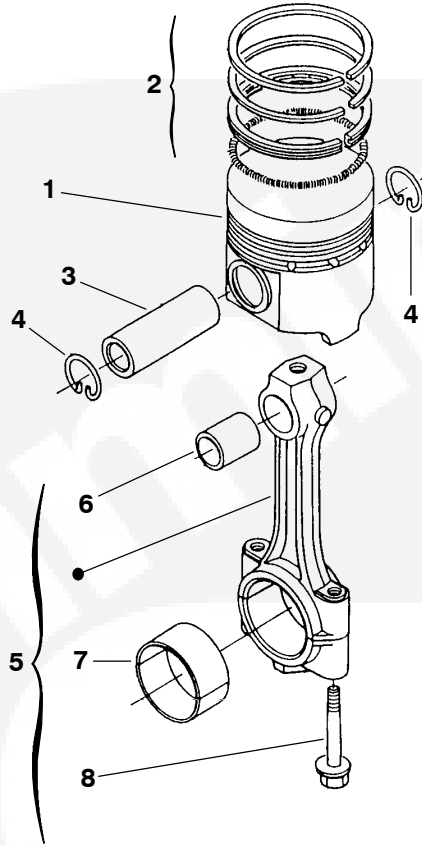


REF NO.	PART NO.	QTY USED	PART DESCRIPTION	REF NO.	PART NO.	QTY USED	PART DESCRIPTION
			Engine, Replacement	14	185-5483	1	#Cap, Sealing
	A045Y135	1	12V (17.5 MDKDR, 19 MDKDV)	15	517-0373	1	Plug
	A045Y623	1	12V (21.5 MDKDR)	16	185-2338	1	Gasket
	A045Y137	1	24V (17.5 MDKDR, 19 MDKDV)	17	517-0452	1	Plug, Oil Filler
	A045Y625	1	24V (21.5 MDKDR)	18	185-2389	4	Bolt
1	110-4105	1	Block Assy, Cylinder (Includes Parts Marked #)	19	123-2429	1	Flange, Oil Filler
2	185-2233	6	#Plug	20	101-0837	1	Gasket, Pump Cover
3	185-2234	2	#Plug	21	185-5849	1	Gasket, Oil Pump
4	185-6121	3	#Plug, Expansion	22	185-5848	1	Pump, Oil
5	185-6040	1	#Plug, Expansion	23	185-7069	4	Bolt
6	185-5840	6	#Cap, Sealing	24	185-2352	1	Key
7	185-5841	2	#Cap, Sealing	25	185-5851	1	Gear, Oil Pump Drive
8	185-5842	2	#Pin, Straight	26	185-7031	1	Nut, Flange
9	185-2350	3	#Pin, Pipe	27	123-2424	1	Gauge, Oil
10	185-5843	2	#Pin, Straight	28	123-2262	1	Guide, Oil Gauge
11	185-5844	1	#Pin, Straight				
12	185-2094	1	#Pin, Pipe				
13	505-2529	1	#Pipe, Water Return				

# - Parts included in Cylinder Block Assy.

\* - Parts Included in Keel Cooling Kit Listed on Keel Cooling-Dry Exhaust Page.

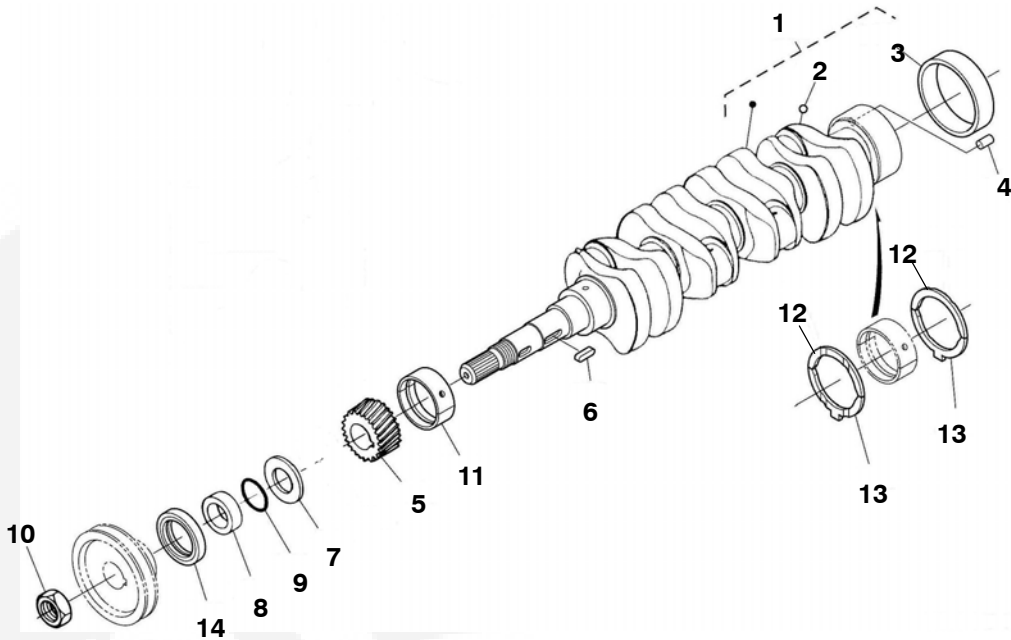
# Piston



REF NO.	PART NO.	QTY USED	PART DESCRIPTION	REF NO.	PART NO.	QTY USED	PART DESCRIPTION
1			Piston	541-1169		4	0.5 mm Oversize
	112-0333	4	13.5 MDKDP Standard	3	112-0348	4	Pin, Piston
	112-0334	4	0.5 mm Oversize	4	518-0732	8	Ring, Retaining
			17 MDKDP, 17.5 and 21.5 MDKDR, 19 MDKDV	5	185-5917	4	Rod Assy, Connecting (Includes Bushing, Bearing and Bolts)
	112-0345	4	Standard	6	185-5918	4	Bushing
	112-0346	4	0.5 mm Oversize	7		4	Bearing
2			Set, Ring	185-6076		4	Standard
			13.5 MDKDP	185-5921		4	0.2 mm Undersize
	113-0357	4	Standard	185-5922		4	0.4 mm Undersize
	113-0358	4	0.5 mm Oversize	8	185-6771	8	Bolt
			17 MDKDP, 17.5 and 21.5 MDKDR, 19 MDKDV				
	541-1168	4	Standard				



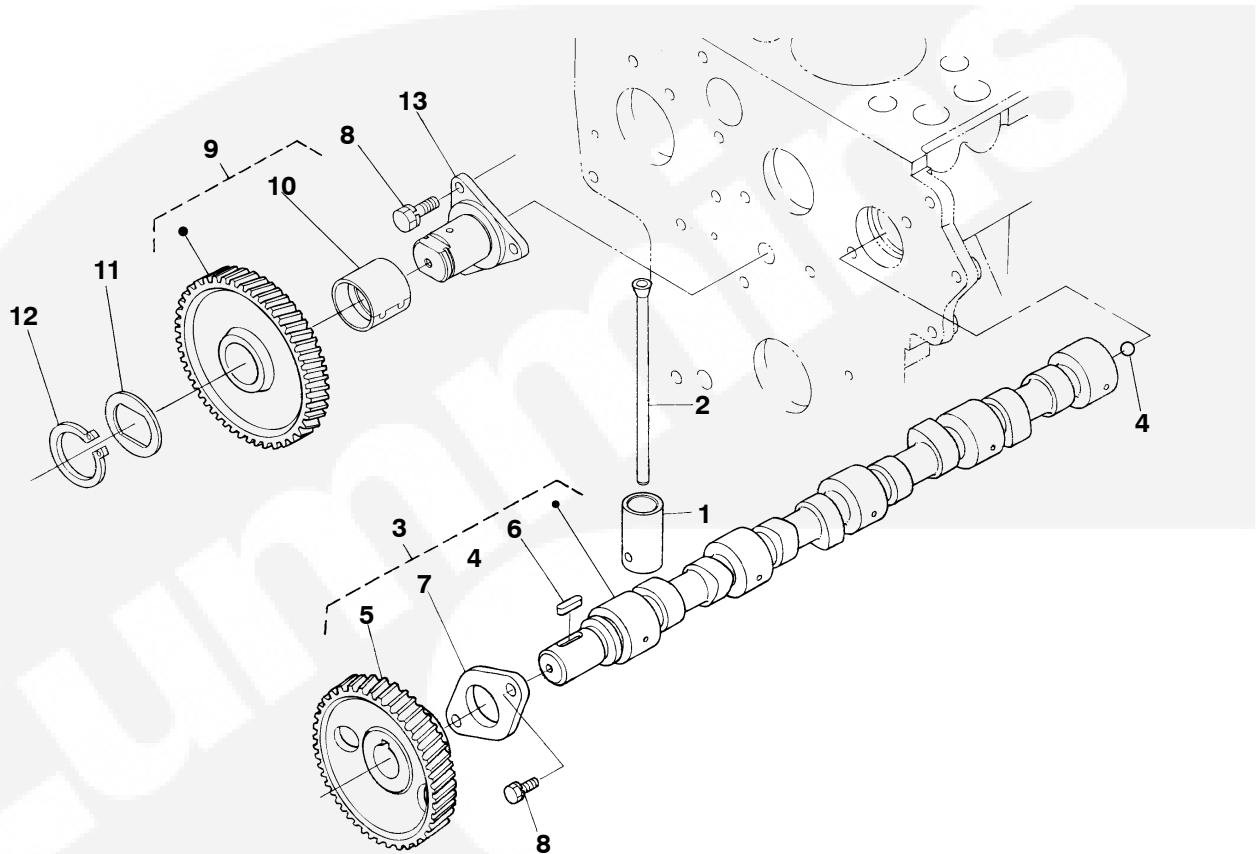
## Crankshaft



REF NO.	PART NO.	QTY USED	PART DESCRIPTION	REF NO.	PART NO.	QTY USED	PART DESCRIPTION
1	104-2165	1	Crankshaft (Includes Balls and Sleeve)	9	185-5929	1	O'Ring
2	185-5924	4	Ball	10	185-5930	1	Nut, Camshaft
3	185-5925	1	Bush, Crankshaft	11	104-2033	1	Bearing Standard
4	516-2147	1	Pin, Straight	104-2037	1	0.2 mm Undersize	
5			Gear	104-2038	1	0.4 mm Undersize	
	507-0006	1	13.5 MDKDP	12	104-2034	4	Bearing, Upper Thrust Standard
	507-0042	1	17 MDKDP, 17.5 and 21.5 MDKDR, 19 MDKDV	104-2041	4	0.2 mm Undersize	
6			Key	104-2042	4	0.4 mm Undersize	
	185-5905	1	13.5 MDKDP	13	104-2036	2	Bearing, Lower Thrust Standard
	185-6081	1	17 MDKDP, 17.5 and 21.5 MDKDR, 19 MDKDV	104-2043	2	0.2 mm Oversize	
7	185-6973	1	Slinger, Oil	104-2044	2	0.4 mm Oversize	
8	185-5928	1	Collar	14	185-5931	1	Seal, Oil



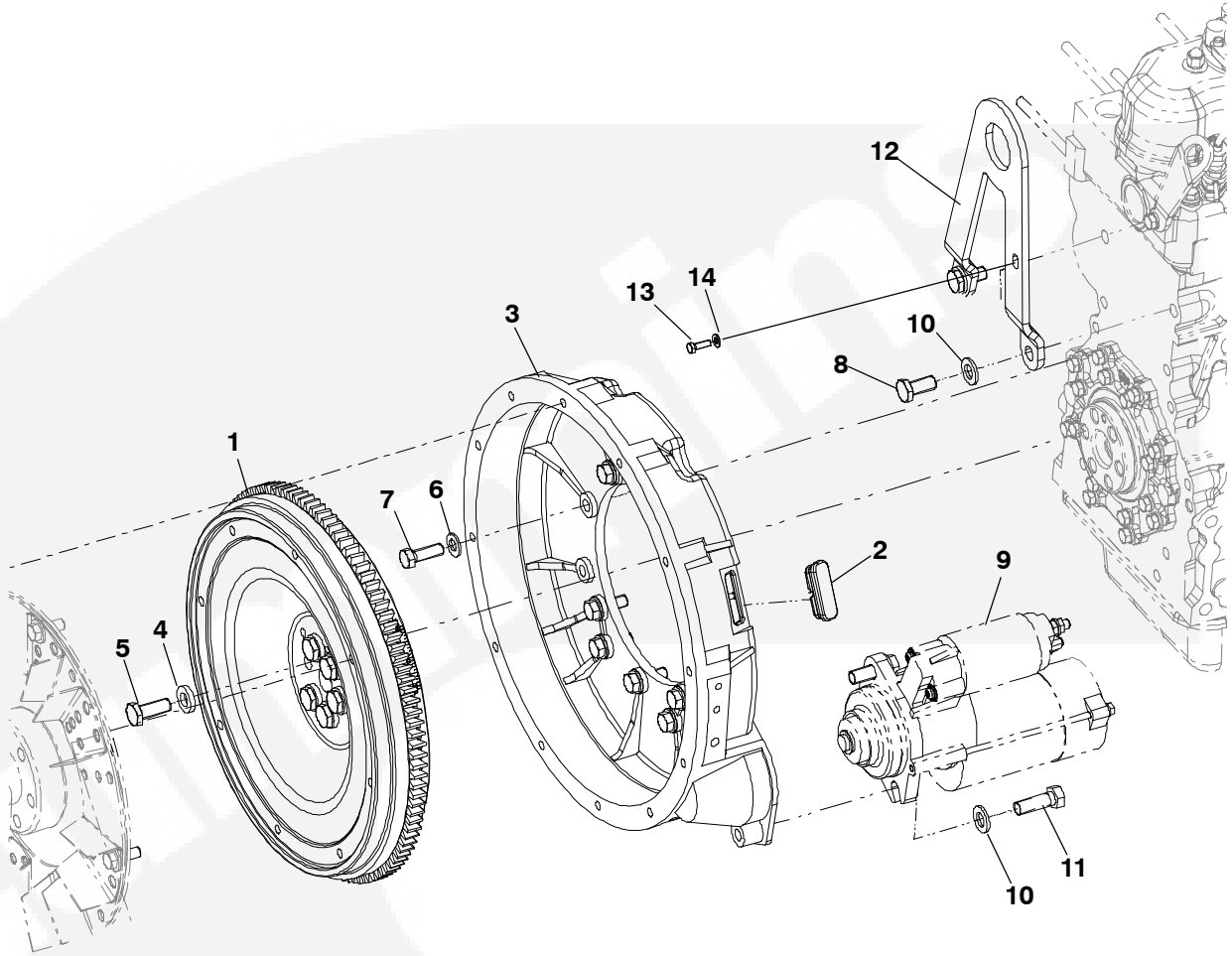
## Camshaft



REF NO.	PART NO.	QTY USED	PART DESCRIPTION	REF NO.	PART NO.	QTY USED	PART DESCRIPTION
1	185-5900	8	Tappet	6	185-5905	1	*Key
2			Rod, Push	7	185-5906	1	*Stopper, Camshaft
	185-5901	8	13.5 MDKDP	8	185-2400	5	Bolt
	115-0568	8	17 MDKDP, 17.5 and 21.5 MDKDR, 19 MDKDV	9	507-0008	1	Gear Assy, Idle (Includes Bushing)
3			Camshaft Assy (Includes Parts Marked *)	10	508-1216	1	Bushing, Idle Gear
	0105-0771	1	13.5 MDKDP	11	406-1071	1	Collar
	0105-0776	1	17.5 MDKDR, 19 MDKDV	12	185-6072	1	Circular Clip, External
	A048U079	1	17 MDKDP, 21.5 MDKDR	13	306-5438	1	Shaft, Idle Gear
4	185-5924	1	Ball				
5	507-0007	1	Gear, Camshaft				

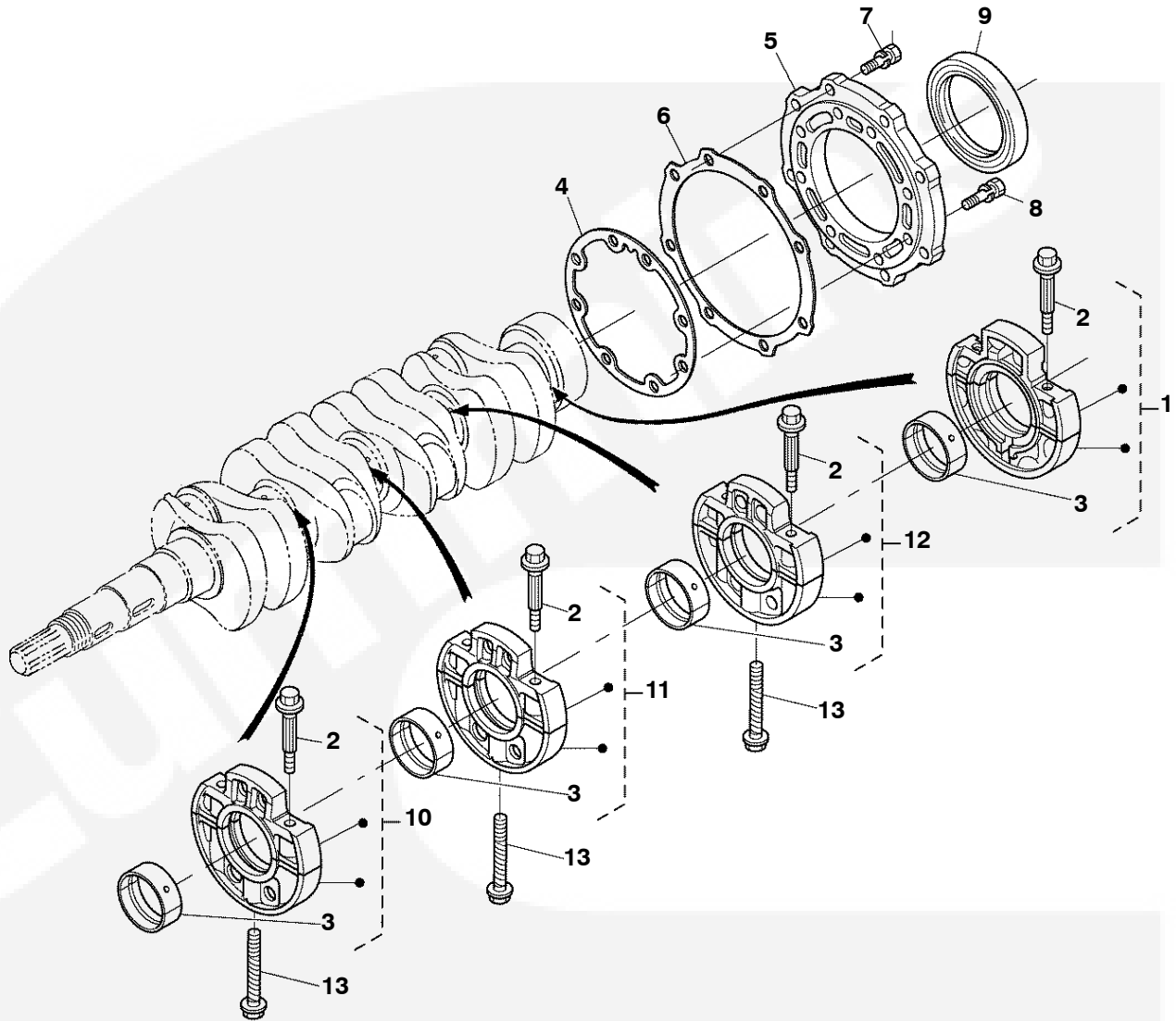
\* - Parts Included in Camshaft Assy

# Flywheel



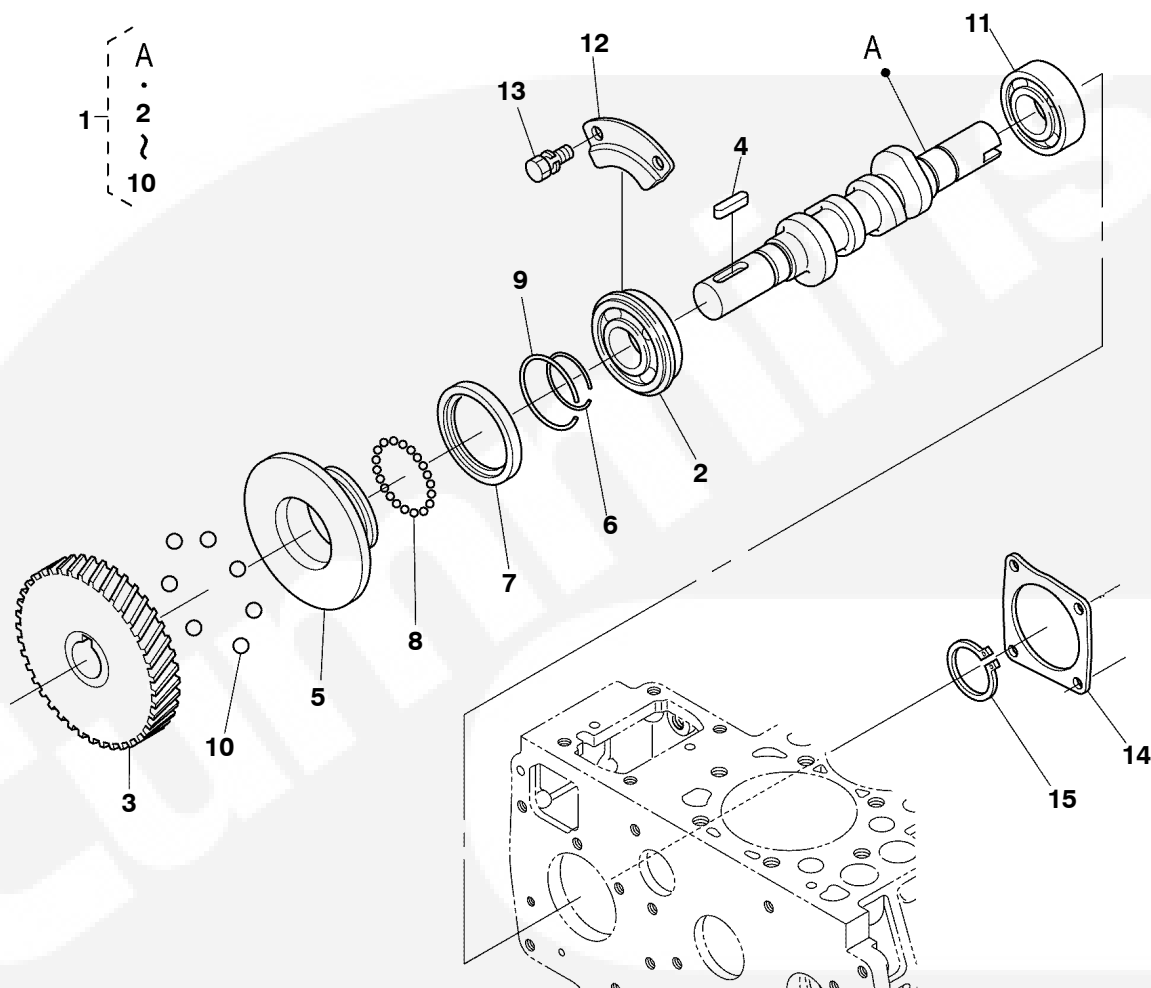
REF NO.	PART NO.	QTY USED	PART DESCRIPTION	REF NO.	PART NO.	QTY USED	PART DESCRIPTION
1	104-2134		Flywheel Assy (Includes Ring Gear)	9			Starter (See Separate Page For Components)
2	101-0811	1	Plug, Hole	191-1959	1	12V	
3	101-0821-S0	1	Adapter, Engine	191-1550	1	24V	
4	526-0145	6	Washer, Flat (M12)	10	526-2140	4	Washer, Flat (M12)
5	800-3032	6	Screw, Hex Head Cap (M12 x 1.25 x 30mm)	11	800-2113	2	Screw, Hex Head Cap (M12 x 1.75 x 35mm)
6	526-0399-62	11	Washer, Flat (M10)	12	403-7060-02	1	Bracket, Engine Lifting
7	800-3005	11	Screw, Hex Head Cap (M10 x 1.25 x 30mm)	13	718-1035	1	Screw, Hex Head Cap (M8 x 1.25 x 16mm)
8	800-3033	2	Screw, Hex Head (M21 x 1.25 x 25mm)	14	526-2100	1	Washer, Flat (M8)

## Main Bearing Housing



REF NO.	PART NO.	QTY USED	PART DESCRIPTION	REF NO.	PART NO.	QTY USED	PART DESCRIPTION
1	104-2029	1	Housing, Main Bearing 13.5 MDKDP	5	101-0836	1	Cover, Bearing Housing
	104-2166	1	17 MDKDP, 17.5 and 21.5 MDKDR, 19 MDKDV	6	185-5893	1	Gasket, Bearing Housing Cover
2	800-6329	8	Bolt, Bearing Housing	7	185-2403	8	Bolt
3	104-2035	1	Bearing, Crankshaft Standard Set	8	185-2404	8	Bolt
	104-2039	1	0.20mm Set	9	509-0416	1	Seal, Oil
	104-2040	1	0.40mm Set	10	104-2031	1	Housing, Main Bearing
4	185-6766	1	Gasket, Bearing Housing	11	104-2032	1	Housing, Main Bearing
				12	104-2164	1	Housing, Main Bearing
				13	185-5899	3	Bolt, Bearing Housing

## Fuel Camshaft

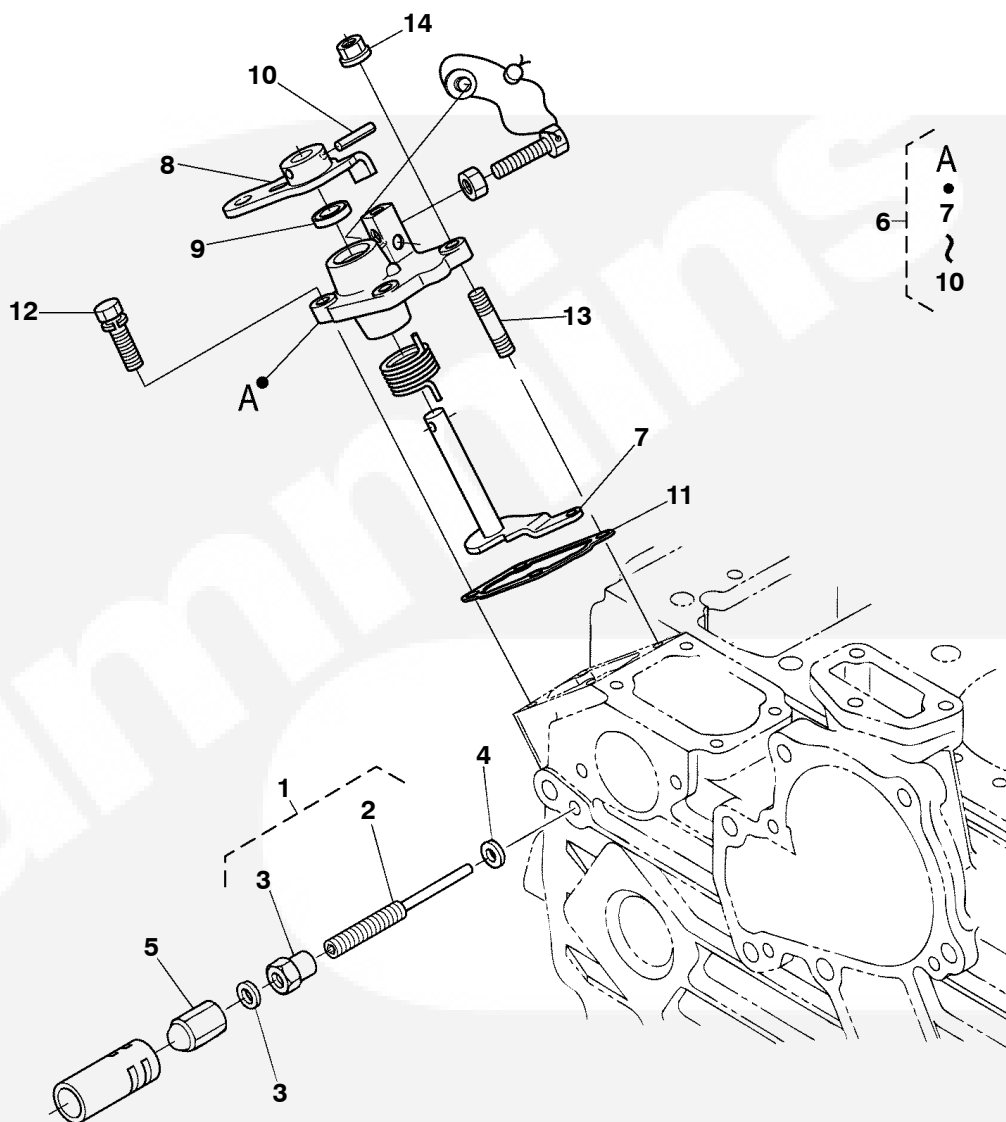


REF NO.	PART NO.	QTY USED	PART DESCRIPTION	REF NO.	PART NO.	QTY USED	PART DESCRIPTION
1			Camshaft Assy, Fuel (Includes Parts Marked *)	10	105-0741	7	*Ball
	150-2978	1	13.5 MDKDP	11	510-0265	1	Bearing, Ball
	150-2983	1	17 MDKDP, 17.5 and 21.5 MDKDR, 19 MDKDV		510-0267	1	13.5 MDKDP
2			*Bearing, Ball				17 MDKDP, 17.5 and 21.5 MDKDR, 19 MDKDV
	185-5947	1	13.5 MDKDP	12	185-5962	1	Stopper, Fuel Camshaft
	510-0266	1	17 MDKDP, 17.5 and 21.5 MDKDR, 19 MDKDV		150-2984	1	13.5 MDKDP
3	507-0041	1	*Gear, Injection Pump				17 MDKDP, 17.5 and 21.5 MDKDR, 19 MDKDV
4	185-5949	1	*Key, Feather	13	185-6956	2	Bolt
5	150-2798	1	*Sleeve, Governor	14	150-2993	1	Gasket
6	518-0712	1	*Clip, External Circular	15	185-5963	1	Clip, External Circular
7	150-2800	1	*Case, Governor Ball				
8	185-5575	39	*Ball				
9	518-0713	1	*Clip, Circular				

\* - Parts Included in Fuel Camshaft Assy

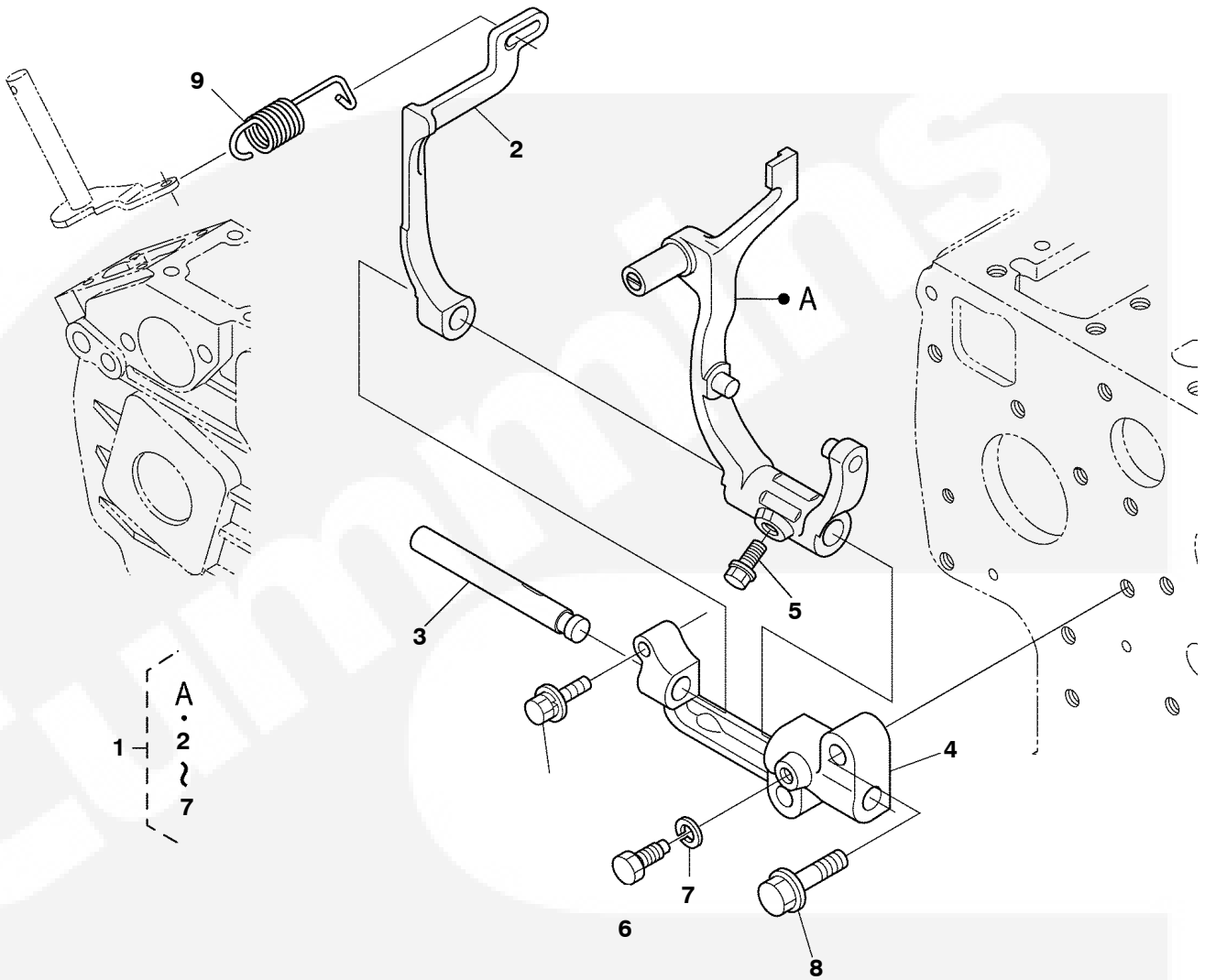


## Speed Control



REF NO.	PART NO.	QTY USED	PART DESCRIPTION	REF NO.	PART NO.	QTY USED	PART DESCRIPTION
1	150-2840	1	Bolt, Adjusting - Maximum Fuel	8	152-0385	1	Lever, Speed Control
2	800-6307	1	Bolt, Adjusting	9	509-0558	1	Seal, Oil
3	185-6164	1	Nut	10	185-2351	1	Pin, Spring
4	185-2284	2	Gasket	11	150-2844	1	Gasket, Plate
5	185-5529	1	Nut	12	185-2388	2	Bolt
6	150-2981	1	Plate, Speed Control	13	185-5727	2	Stud
7	150-2841	1	Comp Lever, Governor	14	185-7166	2	Nut, Flange

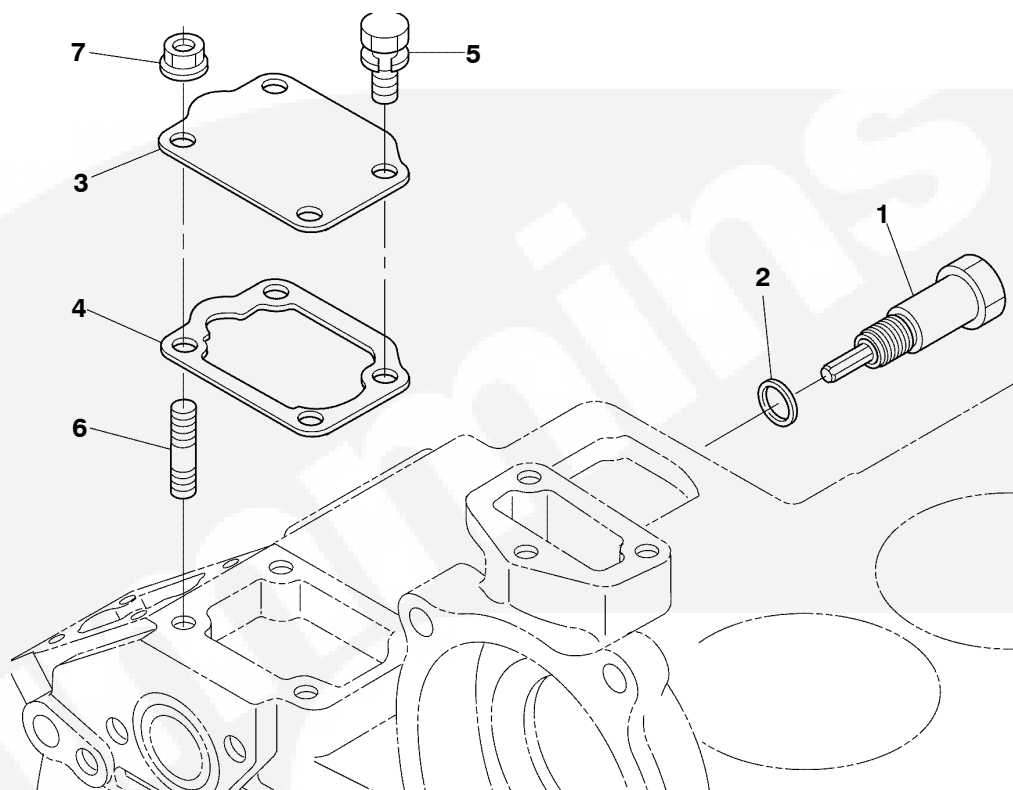
## Governor



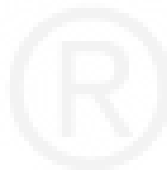
REF NO.	PART NO.	QTY USED	PART DESCRIPTION	REF NO.	PART NO.	QTY USED	PART DESCRIPTION
1	306-5439	1	Lever, Governor	5	800-6305	1	*Bolt, Flange
	150-2986	1	13.5 MDKDP	6	800-6306	1	*Bolt
			17 MDKDP, 17.5 and 21.5	7	185-6759	1	*Washer, Spring
			MDKDR, 19 MDKDV	8	800-6334	1	*Bolt, Flange
2	150-2842	1	Lever Assy, Fork (Includes Parts Marked *)	9	506-0028	1	Spring, Governor
3	150-2805	1	*Shaft, Fork Level				
4	150-2836	1	*Holder, Fork Lever				

\* - Parts Included in Fork Lever Assy.

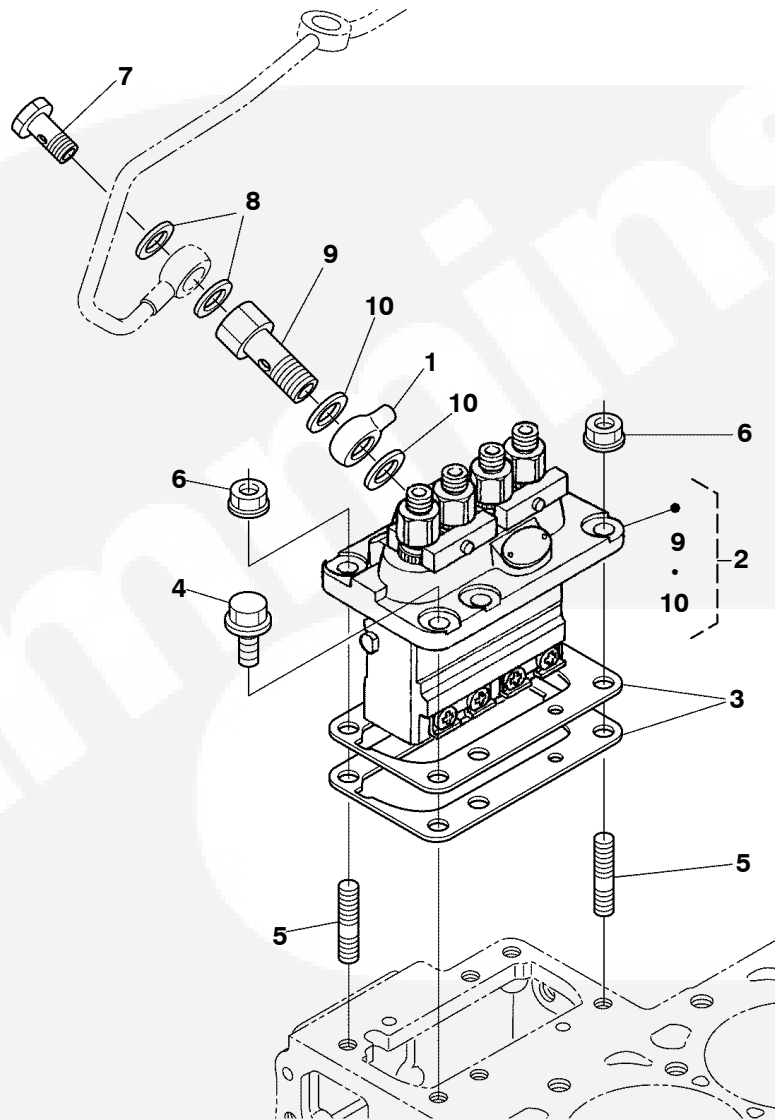
## Idle



REF NO.	PART NO.	QTY USED	PART DESCRIPTION	REF NO.	PART NO.	QTY USED	PART DESCRIPTION
1	150-2853	1	Apparatus, Idling	6	181-9034	2	Stud
2	509-0418	1	Gasket	7	185-7166	2	Nut, Flange
3	150-2979	1	Cover, Boost Comp Housing				
4	150-2844	1	Gasket, Plate				
5	185-2390	2	Bolt				

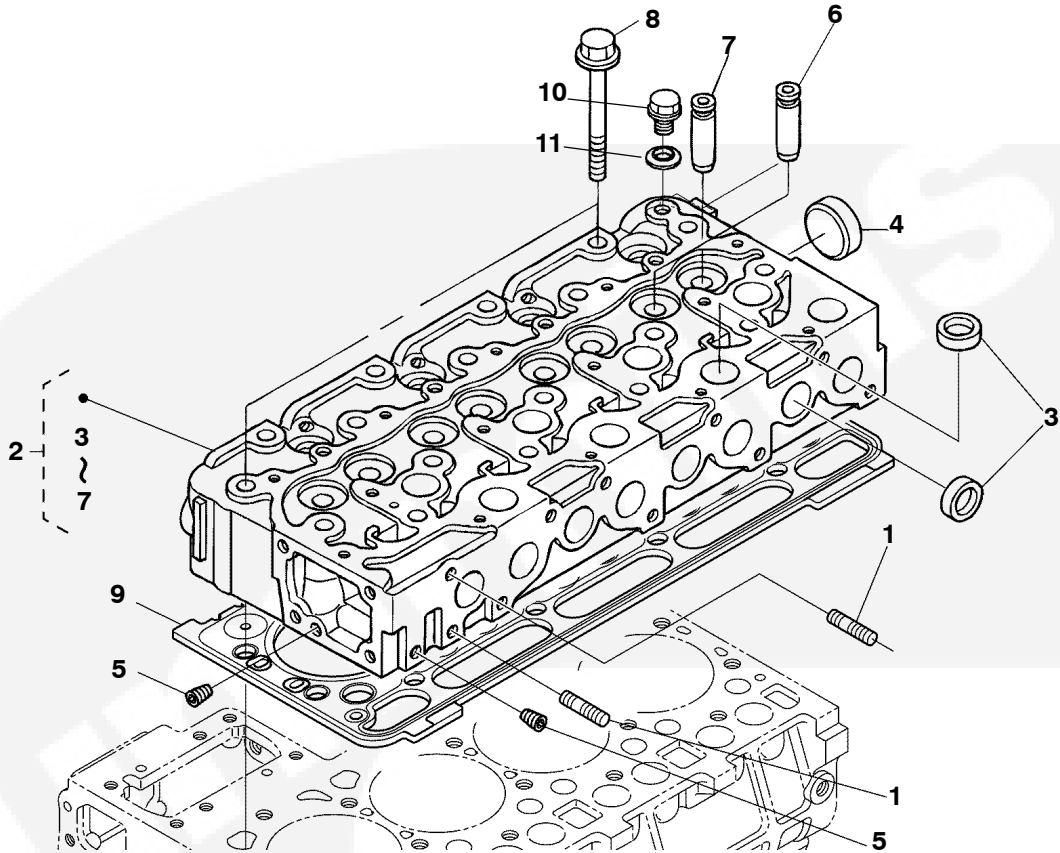


## Injection Pump Components



REF NO.	PART NO.	QTY USED	PART DESCRIPTION	REF NO.	PART NO.	QTY USED	PART DESCRIPTION
1	185-6418	1	Joint	185-6758	1	0.300mm	
2	0147-0902	1	Assy Pump, Injection 13.5 MDKDP, 17.5 MDKDR, 19 MDKDV	4	800-6333	4	Bolt, Flange
	A048U080	1	17 MDKDP, 21.5 MDKDR	5	185-2106	2	Stud
3	147-0983	1	Shim, Injection Pump 0.175mm	6	185-7134	2	Nut, Flange
	185-6756	1	0.200mm	7	185-7045	1	Screw, Hollow
	185-6757	1	0.250mm	8	185-2578	2	Gasket
				9	185-6153	1	Screw, Hollow
				10	185-6154	2	Seat, Lower Spring

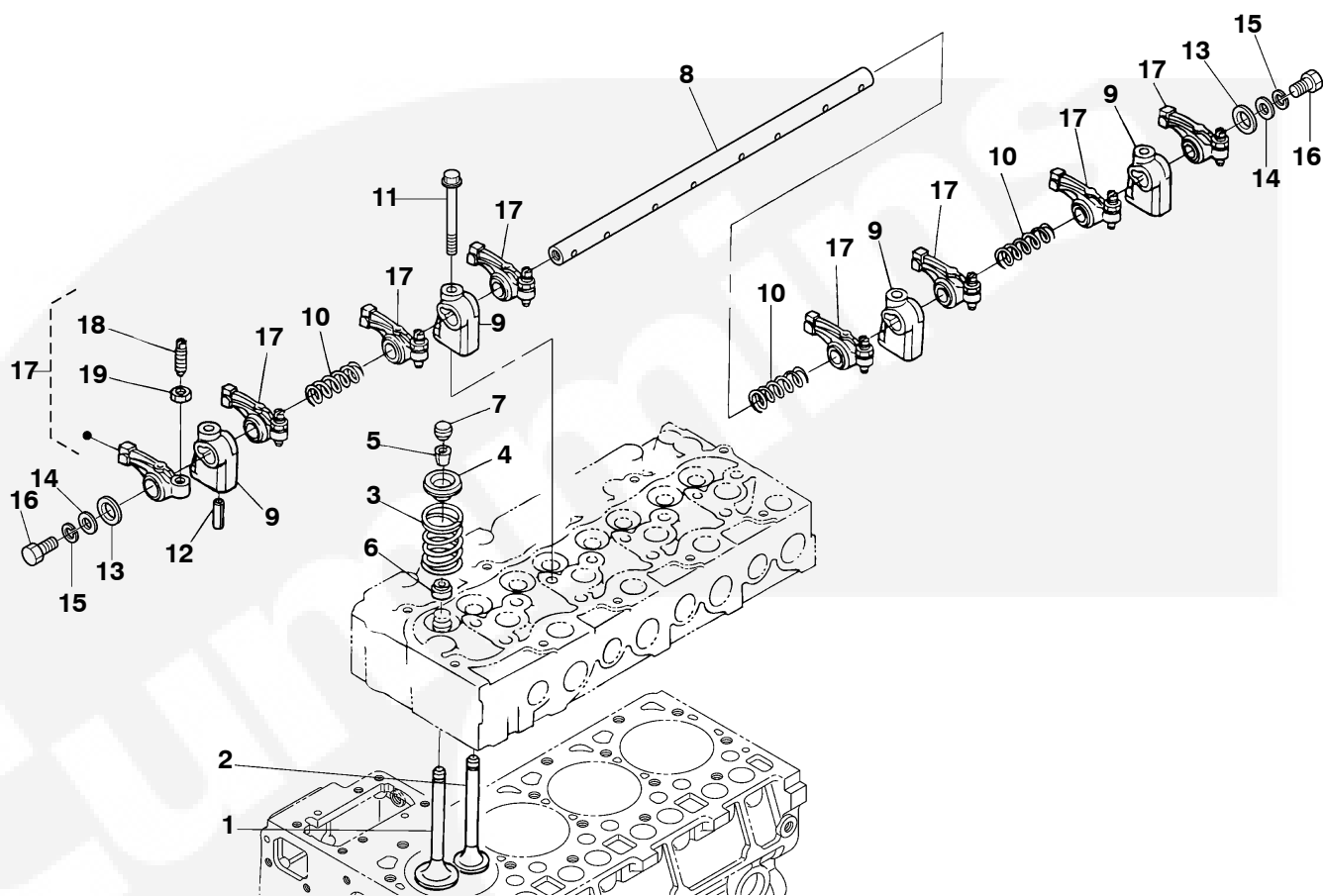
## Cylinder Head



REF NO.	PART NO.	QTY USED	PART DESCRIPTION	REF NO.	PART NO.	QTY USED	PART DESCRIPTION
1	185-6048	2	Stud	9			Gasket, Cylinder Head
2			Head Assy, Cylinder (Includes Parts Marked #)				MDKDP
	0110-4097	1	13.5 MDKDP	110-4098	1	1	1.15mm
	A048U078	1	17 MDKDP, 21.5 MDKDR	110-4099	1	1	1.20mm
	0110-4106	1	17.5 MDKDR, 19 MDKDV	110-4100	1	1	1.25mm
3	185-5861	12	#Cap, Sealing	110-4101	1	1	1.30mm
4	185-2412	1	#Cap, Sealing	110-4102	1	1	1.35mm
5	185-2188	2	#Plug				MDKDR, MDKDV
6	185-5862	4	#Guide, Inlet Valve	110-4107	1	1	1.15mm
7	110-3987	4	#Guide, Exhaust Valve	110-4108	1	1	1.20mm
8	185-5865	18	Bolt, Cylinder Head	110-4109	1	1	1.25mm
				110-4110	1	1	1.30mm
				110-4111	1	1	1.35mm
				10	185-5867	1	Plug
				11	185-5868	1	Washer, Rubber

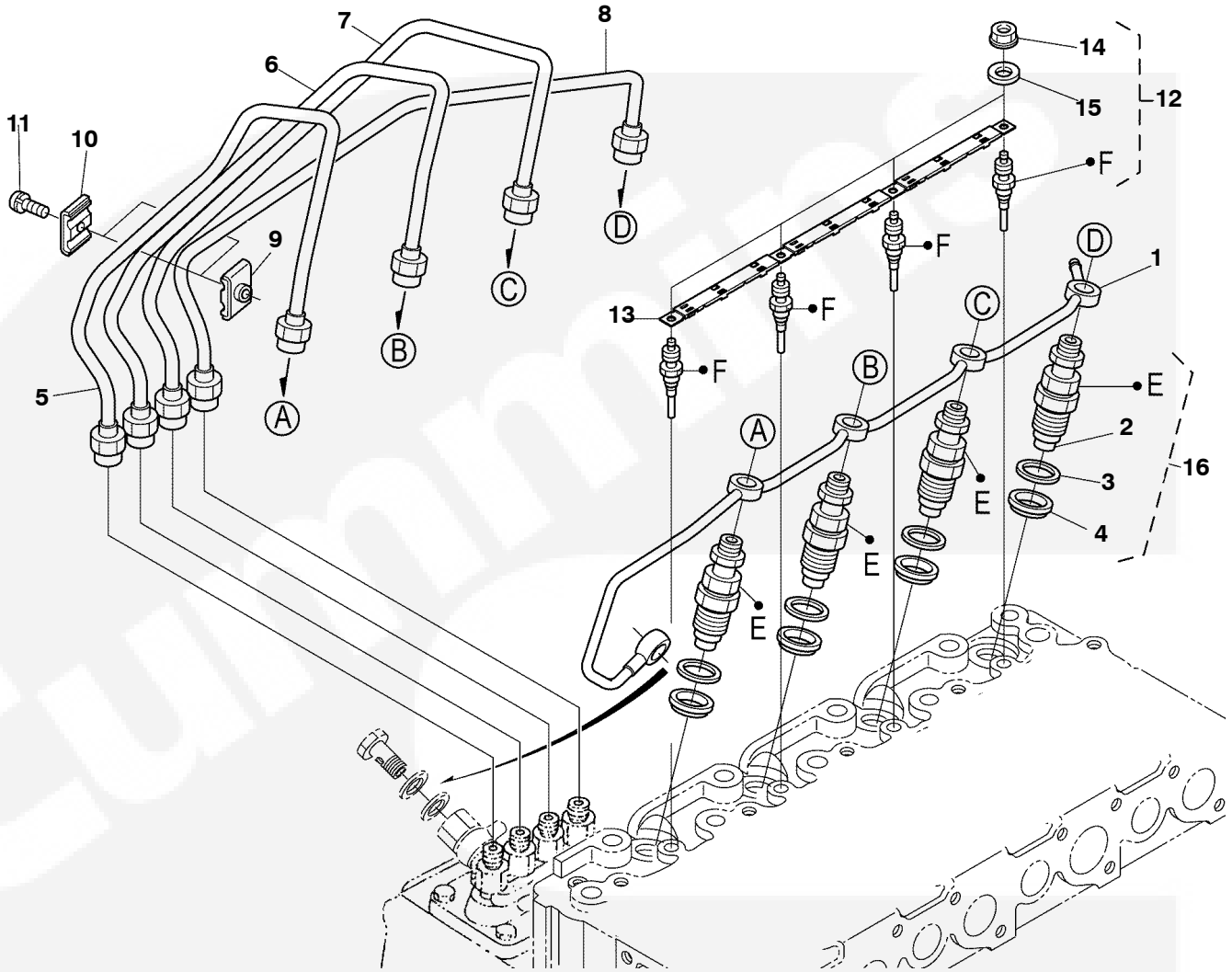
# - Parts Included in Cylinder Head Assy.

## Rocker Arm



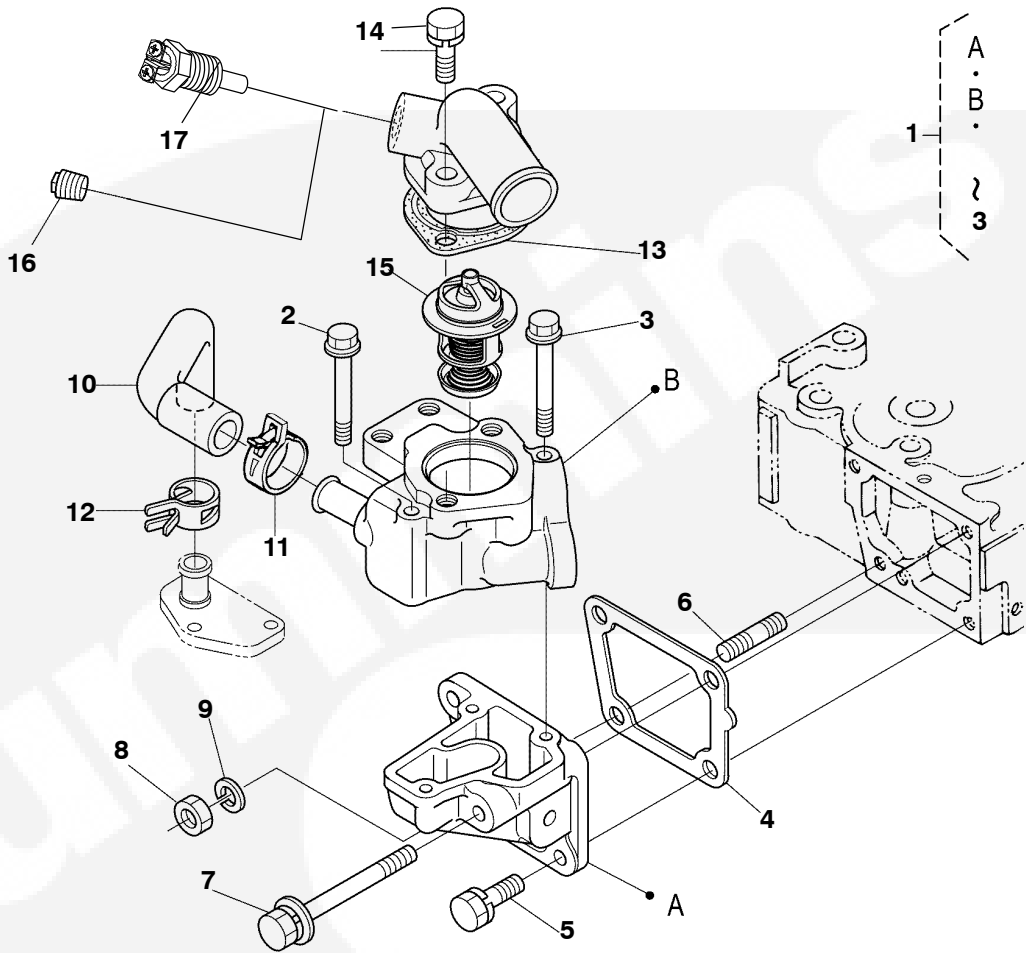
REF NO.	PART NO.	QTY USED	PART DESCRIPTION	REF NO.	PART NO.	QTY USED	PART DESCRIPTION
1	110-4103	4	Valve, Inlet	10	185-6026	3	Spring, Rocker Arm
2	110-4104	4	Valve, Exhaust	11	800-6335	4	Bolt, Flange
3	185-6016	8	Spring, Valve	12	185-6789	1	Pin, Spring
4	185-6017	8	Retainer, Valve Spring	13	185-6025	2	Washer, Rocker Arm Shaft
5	110-3948	8	Collet, Valve Spring	14	185-7221	2	Washer, Plain
6	185-6018	8	Seal, Valve Stem	15	185-6957	2	Washer, Spring
7	185-6019	8	Cap, Valve	16	800-6327	2	Bolt
8	185-6020	1	Assy, Rocker Arm Shaft (Includes Set Screws)	17	185-6028	8	Assy, Rocker Arm (Includes Screw, Adjusting
9	185-6022	4	Bracket, Rocker Arm	18	185-6029	8	Nut
				19	185-6030	8	

## Nozzle Holder and Glow Plug



REF NO.	PART NO.	QTY USED	PART DESCRIPTION	REF NO.	PART NO.	QTY USED	PART DESCRIPTION
1	185-6731	1	Pipe, Overflow	11	185-2385	3	Screw (With Washer)
2	185-6095	4	Nozzle	12	185-5990	4	Plug, Glow 12V
3	185-5337	4	Gasket		185-6725	4	24V
4	185-5985	4	Seal, Heat	13	337-4114		Cord, Glow Plug
5	185-5986	1	Pipe, Injection	14	185-5615	4	Nut, Flange
6	185-5987	1	Pipe, Injection	15	185-7004	4	Washer, Plain
7	501-0886	1	Pipe, Injection	16	185-6094	4	Kit Holder, Nozzle (Includes Nozzle, Gasket and Heat Seal
8	185-5989	1	Pipe, Injection				
9	185-5612	3	Clamp, Pipe				
10	185-2345	3	Clamp, Pipe				

## Water Outlet Flange



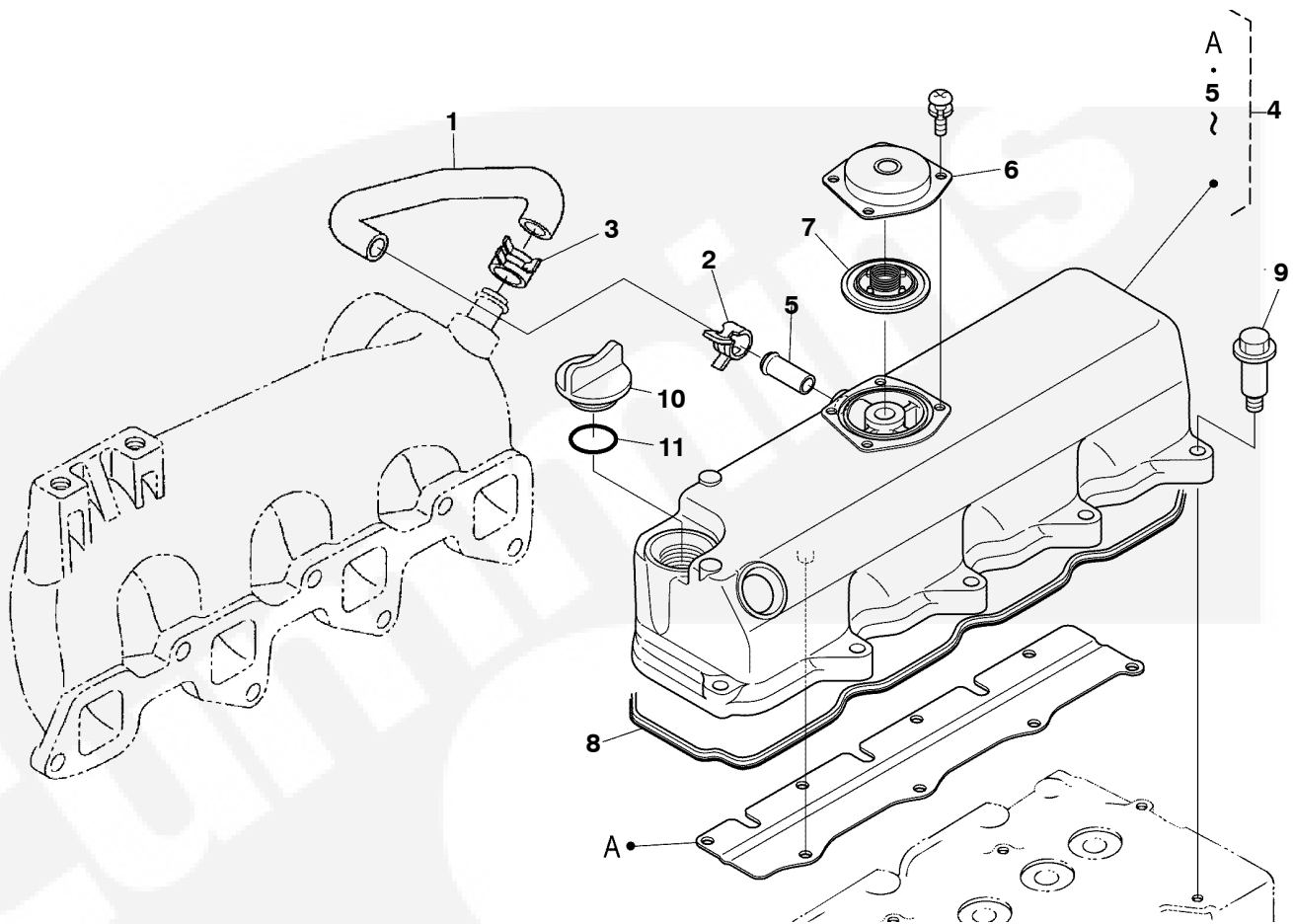
REF NO.	PART NO.	QTY USED	PART DESCRIPTION	REF NO.	PART NO.	QTY USED	PART DESCRIPTION
			*Kit, Sender (Includes Water Temperature Sender)	12	503-2552	1	Clamp, Hose
	300-5040	1	Negative Ground	13	185-6004	1	Gasket, Thermostat
	300-5041	1	Isolated Ground	14	185-2565	2	Bolt
1	130-8281	1	Flange, Water Outlet (Includes Pipe)	15	130-6329	1	Thermostat
2	800-6331	2	Bolt, Flange	16	514-0441	1	Plug
3	800-6332	1	Bolt, Flange	17			+ Sender, Water Temperature (E2)
4	185-5999	1	Gasket, Water Flange		193-0318	1	Negative Ground
5	185-2401	2	Bolt		193-0457-01	1	Isolated Ground
6	185-2106	1	Stud				
7	800-6328	1	Bolt				
8	185-2367	1	Nut				
9	185-6957	1	Washer, Spring				
10	503-2553	1	Pipe, Water Return				
11	503-3142	1	Clamp, Hose				

\* - Kit Also Includes Oil Pressure Sender Listed on Oil Pan Page.

+ - Water Temperature Sender ties to E2-2 Iso Harness (See Isolated Ground 338-4200-01)

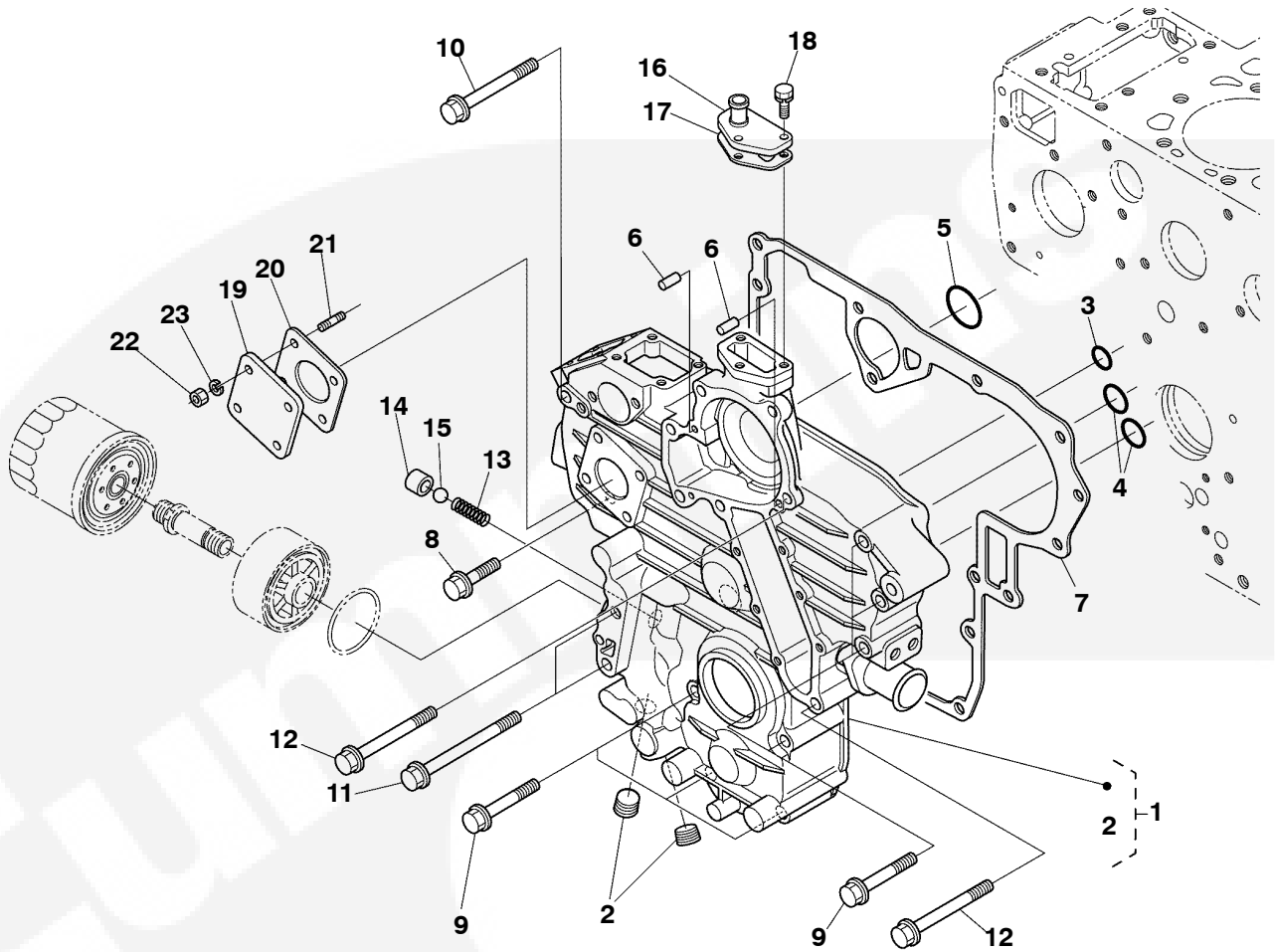


## Cylinder Head Cover



REF NO.	PART NO.	QTY USED	PART DESCRIPTION	REF NO.	PART NO.	QTY USED	PART DESCRIPTION
1	123-2423	1	Tube, Breather	7	123-2264	1	Breather
2	181-9025	1	Clamp, Hose	8	115-0567	1	Gasket, Head Cover
3	185-6722	1	Clamp, Hose	9	800-6330	10	Bolt
4	134-5391	1	Cover, Cylinder Head	10	185-5407	1	Plug, Oil Filler
5	185-6103	1	Pipe, Water Return	11	509-0414	1	O'Ring
6	181-9238	1	Cover, Breather				

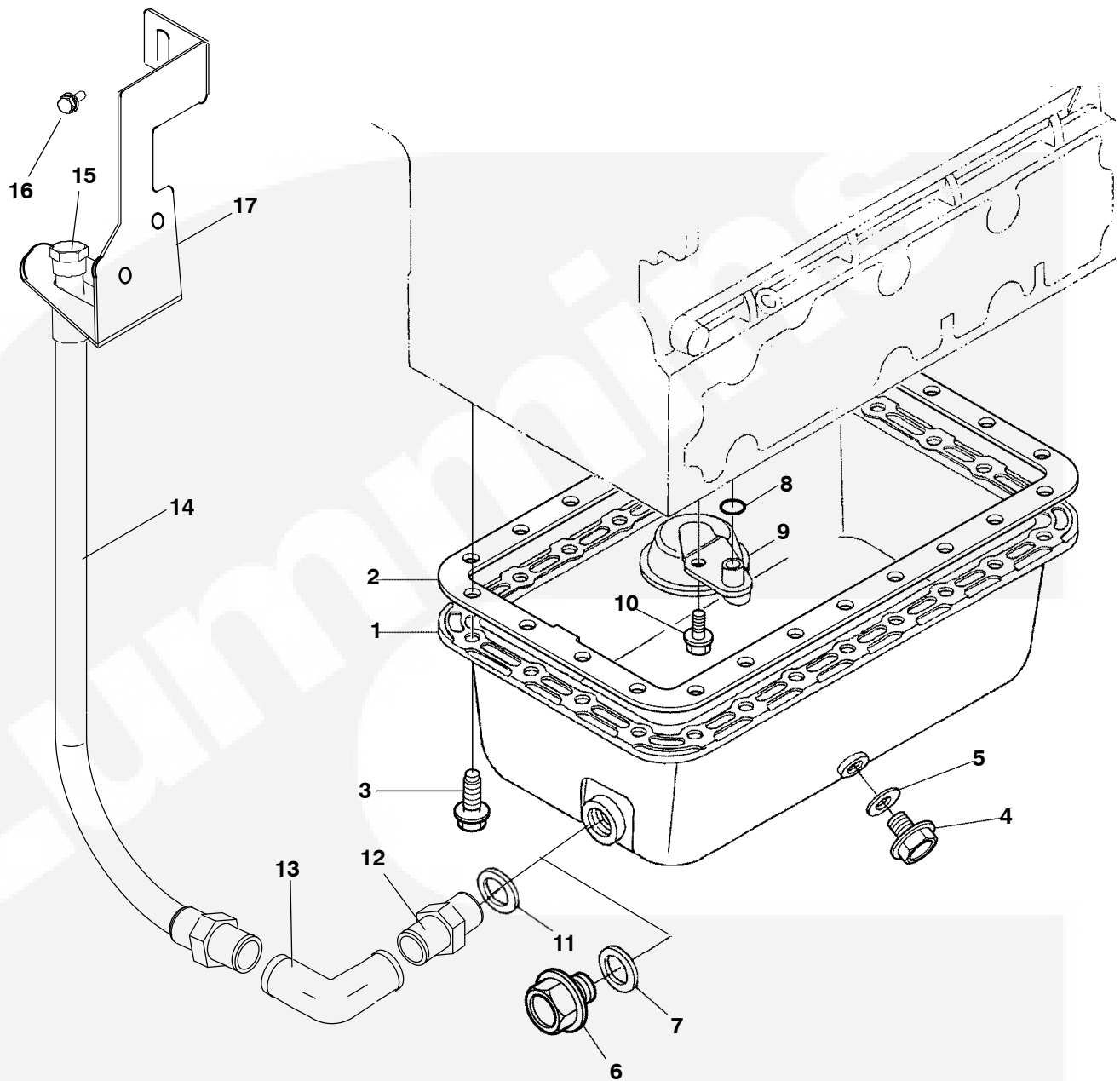
## Gearcase



REF NO.	PART NO.	QTY USED	PART DESCRIPTION	REF NO.	PART NO.	QTY USED	PART DESCRIPTION
1			Gearcase Assy (Includes Parts Marked *)	13	185-5877	1	Spring
	103-0869	1	13.5 and 17MDKDP	14	185-5878	1	Seat, Valve
	103-0864	1	17.5 and 21.5 MDKDR, MDKDV	15	185-6711	1	Ball
2	185-6481	2	*Plug	16	185-5879	1	Flange, Water Return
3	509-0410	1	O'Ring	17	185-5880	1	Gasket, Water Return
4	509-0412	2	O'Ring	18	185-2559	3	Bolt
5	509-0413	1	O'Ring	19	185-2153	1	Cover
6	185-5843	2	Pin, Straight	20	302-2084	1	Gasket, Hourmeter
7	103-0832	1	Gasket, Gear Case	21	181-9034	4	Stud
8	800-6334	1	Bolt	22	185-4255	4	Nut
9	815-1602	7	Bolt, Flanged	23	185-6759	4	Washer, Spring
10	800-6414	1	Bolt				
11	815-1598	2	Bolt, Flanged				
12	815-1595	4	Bolt				

\* - Parts Included in Gearcase Assy

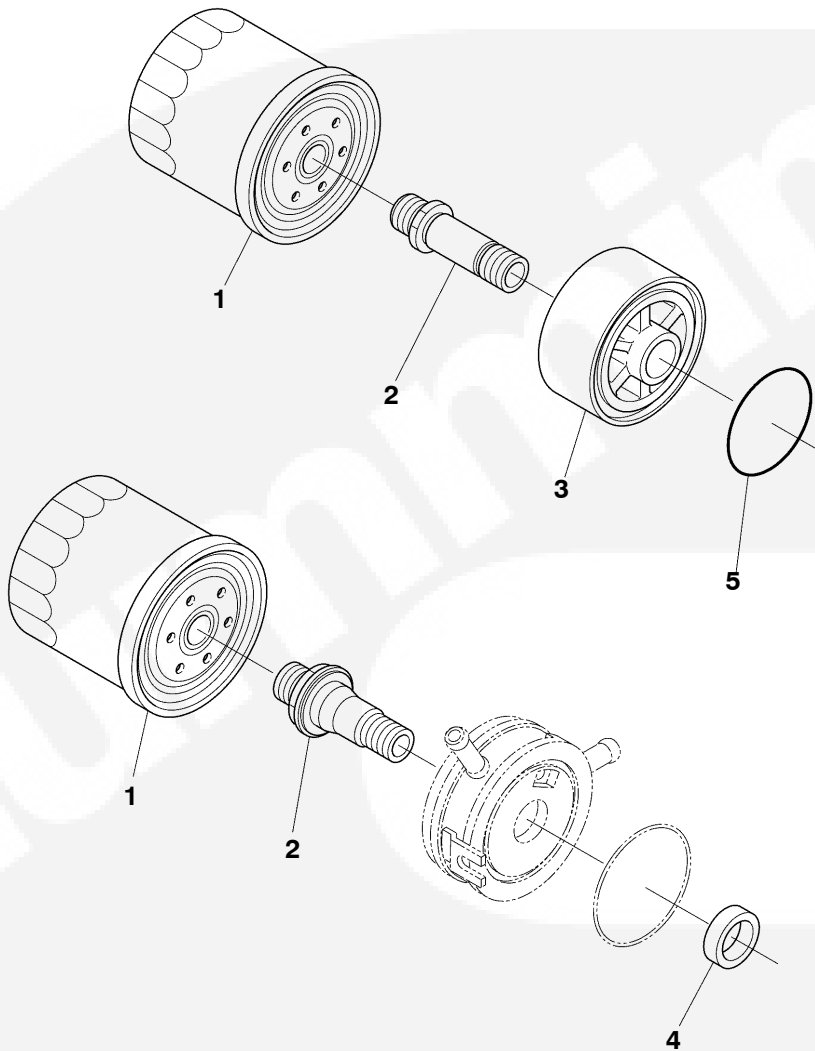
## Oil Pan



REF NO.	PART NO.	QTY USED	PART DESCRIPTION	REF NO.	PART NO.	QTY USED	PART DESCRIPTION
1	185-6727	1	Pan, Oil	14	501-0910	1	Hose, Assy
2	185-5854	1	Gasket	15	502-1123	1	Cap, Pipe
3	815-1601	4	Bolt, Flanged	16	821-6002-03	3	Screw, Hex Head Sems (M6 x 1.0 x 16mm)
4	517-0418	1	Plug, Drain	17	120-1387-03	1	Bracket, Oil Drain
5	509-0428	1	Gasket	18		1	Sender, Oil Pressure
6	185-6760	1	Plug, Drain		193-0430-01		Isolated Ground
7	185-6761	1	*Gasket		193-0244-99		Negative Ground
8	509-0411	1	O'Ring				
9	185-6728	1	Tube, Oil Pickup				
10	185-2573	1	Bolt				
11	526-0413	1	Washer				
12	102-1449-01	1	Adapter, Oil Drain				
13	502-0263	1	Elbow, 90				

\* Bolt and Gasket Removed with Installation of Oil Drain.

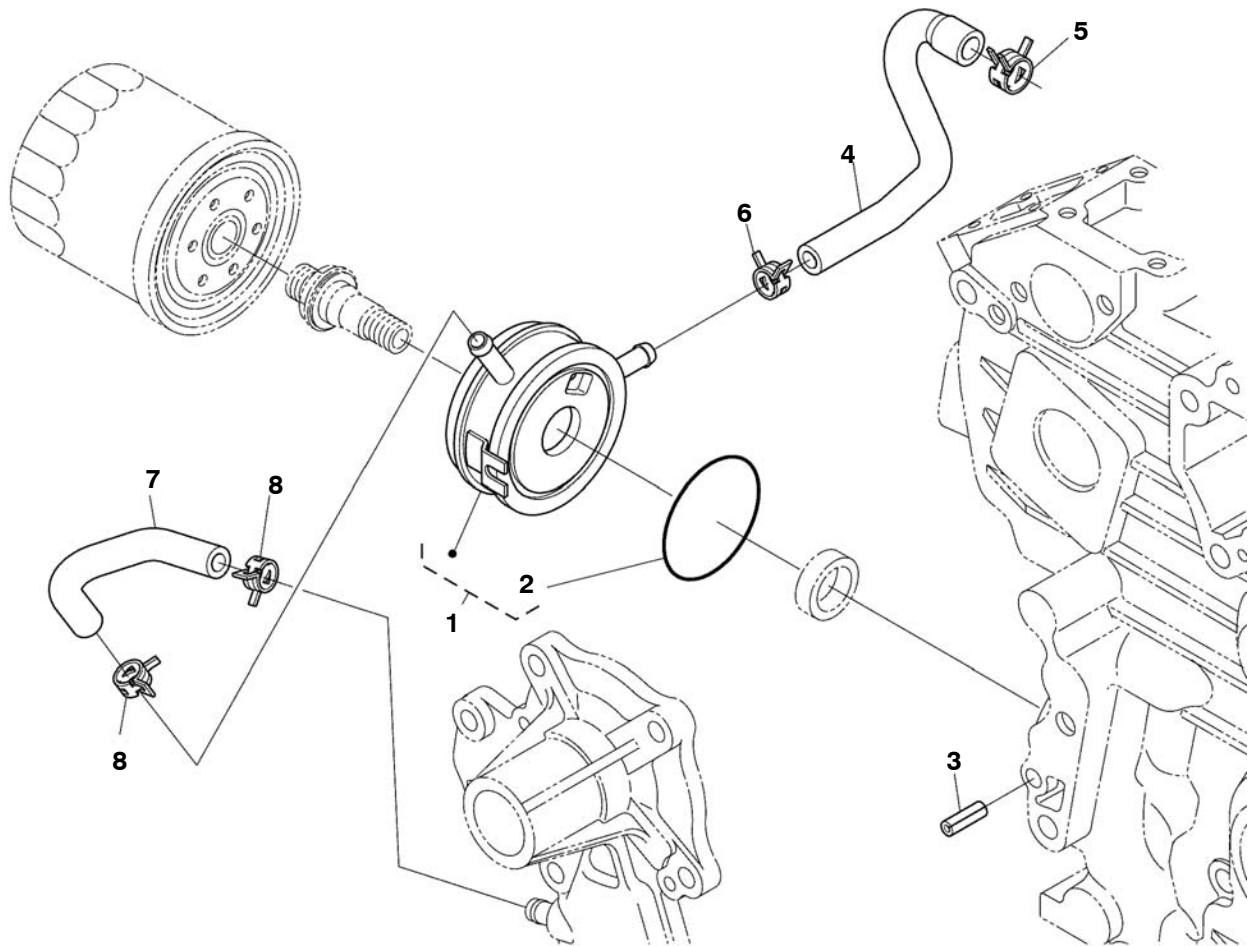
## Oil Filter Assembly



REF NO.	PART NO.	QTY USED	PART DESCRIPTION	REF NO.	PART NO.	QTY USED	PART DESCRIPTION
1	122-0893		Filter, Oil	4	508-1341	1	Collar (MDKDR, MDKDV)
2			Connector	5	122-0886	1	O'Ring
	122-0942	1	13.5 MDKDP				
	122-0944	1	17 MDKDP, 17.5 and 21.5 MDKDR, 19 MDKDV				
3	122-0943	1	Spacer (MDKDP)				



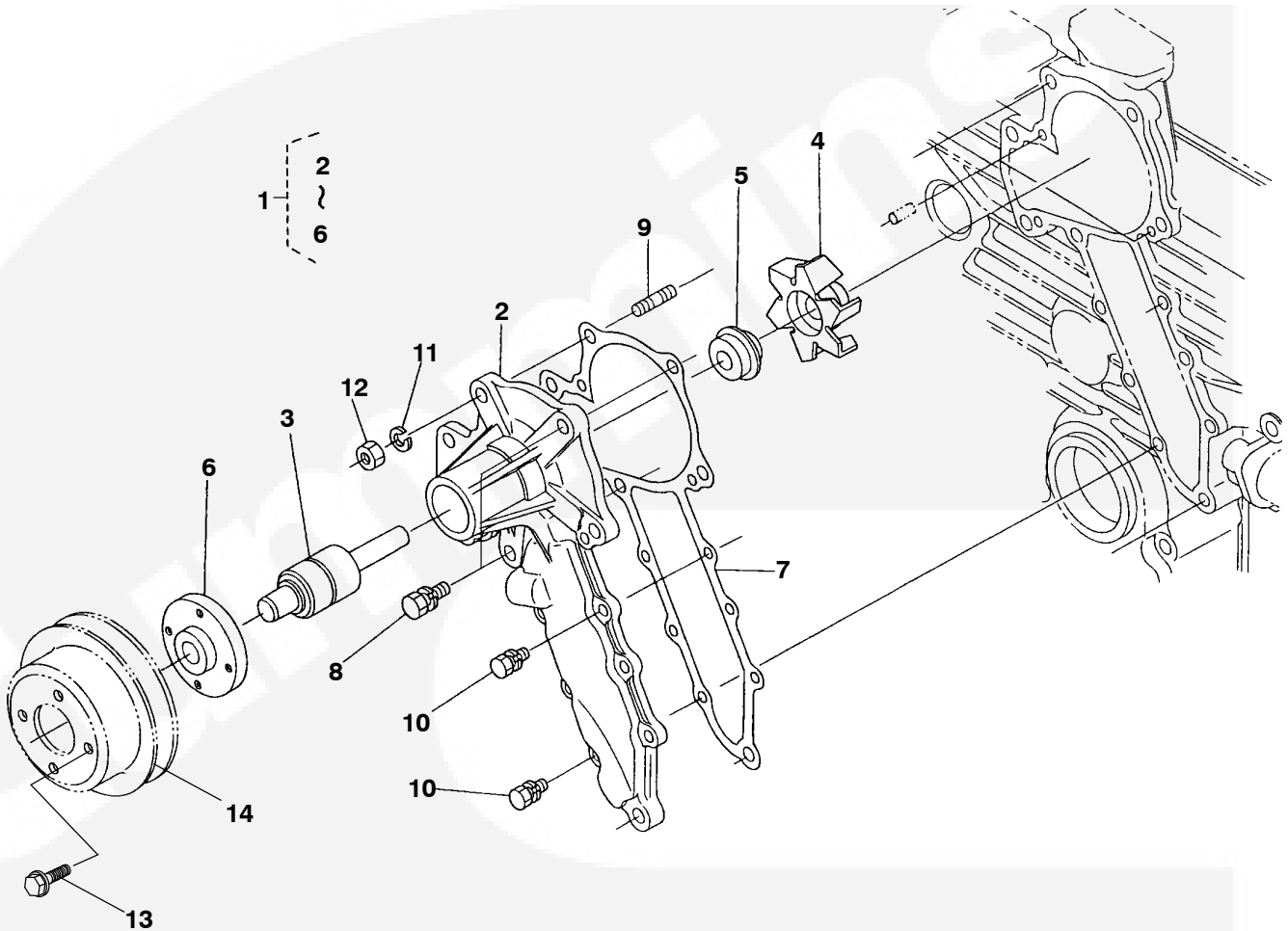
## Oil Cooler



REF NO.	PART NO.	QTY USED	PART DESCRIPTION	REF NO.	PART NO.	QTY USED	PART DESCRIPTION
1	102-1567	1	Cooler, Oil	5	503-2552	1	Clamp, Hose
2	509-0554	1	O'Ring	6	185-6667	1	Clamp, Hose
3	516-2145	1	Pin, Spring	7	503-3129	1	Hose, Oil Cooler
4	503-3134	1	Hose, Oil Cooler	8	185-6667	2	Clamp, Hose



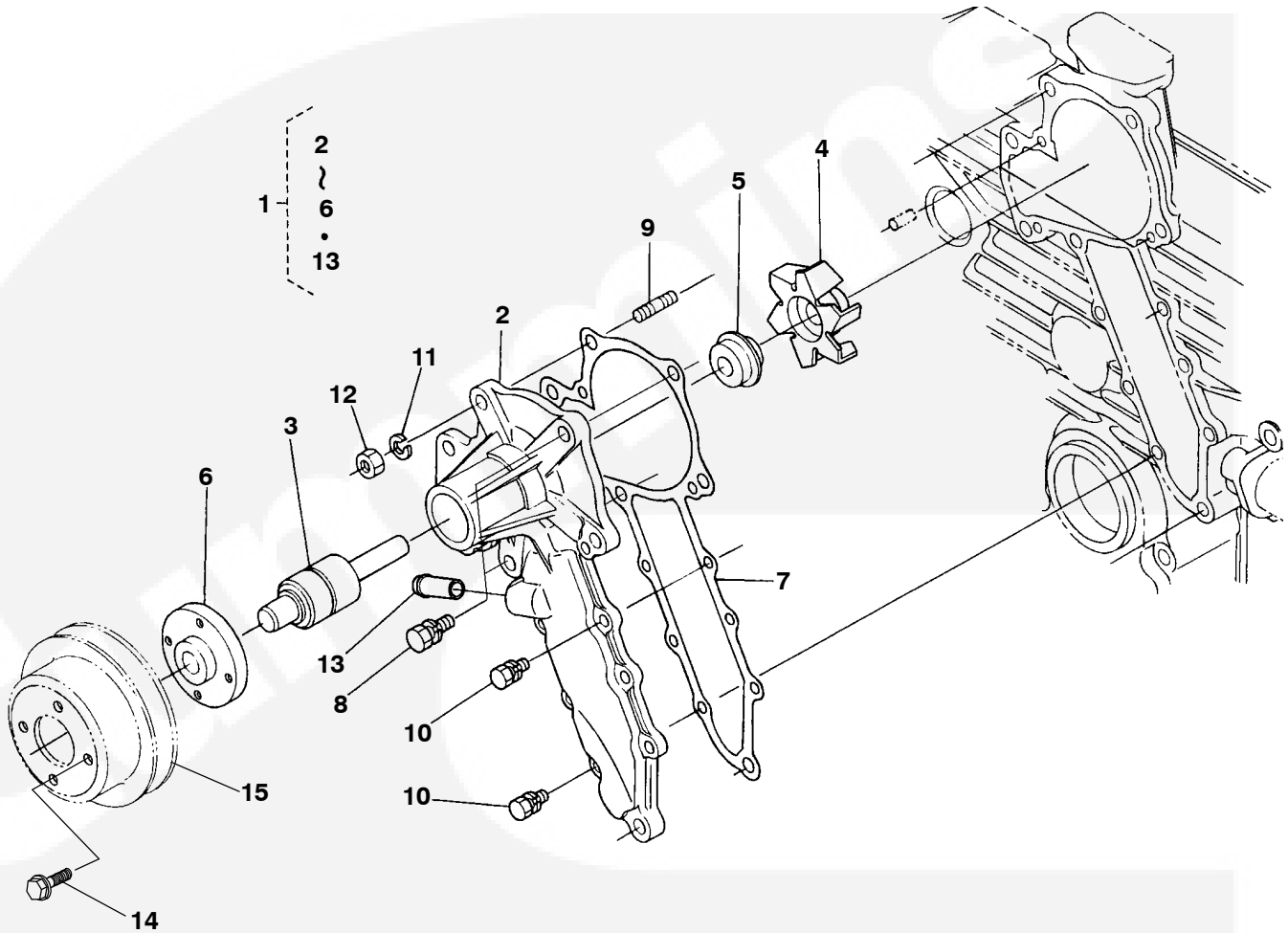
## Water Pump MDKDP



REF NO.	PART NO.	QTY USED	PART DESCRIPTION	REF NO.	PART NO.	QTY USED	PART DESCRIPTION
1	132-0520	1	Pump Assy, Water (Includes Parts Marked *)	9	520-2655	1	Stud
2	132-0446	1	*Housing, Water Pump	10	185-2386	6	Bolt
3	185-6007	1	*Bearing	11	185-6957	1	Washer, Spring
4	132-0444	1	*Impeller, Water Pump	12	185-2367	1	Nut
5	185-6978	1	*Seal, Mechanical	13	185-7013	4	Bolt, Flange
6	130-6347	1	*Flange, with Pump Shaft	14	185-6013	1	Pulley
7	132-0447	1	Gasket, Water Pump				
8	185-2404	2	Bolt				

\* - Parts Included in Water Pump Assy

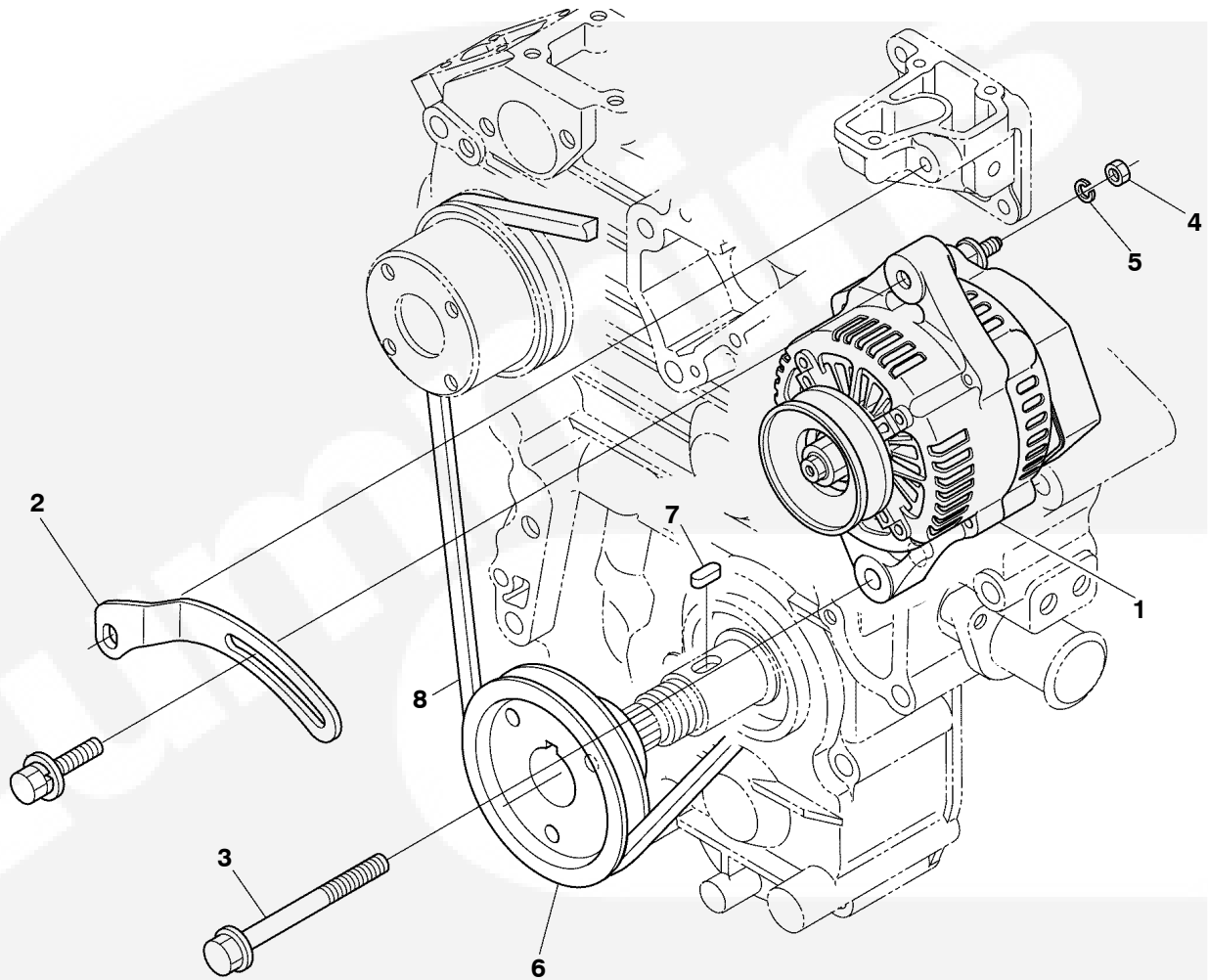
## Water Pump MDKDR, MDKDV



REF NO.	PART NO.	QTY USED	PART DESCRIPTION	REF NO.	PART NO.	QTY USED	PART DESCRIPTION
1	132-0521	1	Pump Assy, Water (Includes Parts Marked *)	10	185-2389	6	Bolt
2	132-0446	1	*Housing, Water Pump	11	185-6957	1	Washer, Spring
3	185-6007	1	*Bearing	12	185-2367	1	Nut
4	132-0444	1	*Impeller, Water Pump	13	185-6445	1	Pipe, Water Return
5	185-7021	1	*Seal, Mechanical	14	185-7013	4	Bolt, Flange
6	130-6347	1	*Flange, with Pump Shaft	15	185-6013	1	Pulley
7	132-0447	1	Gasket, Water Pump				
8	185-2404	2	Bolt				
9	185-6241	1	Stud				

\* - Parts Included in Water Pump Assy

## Alternator (Negative Ground)

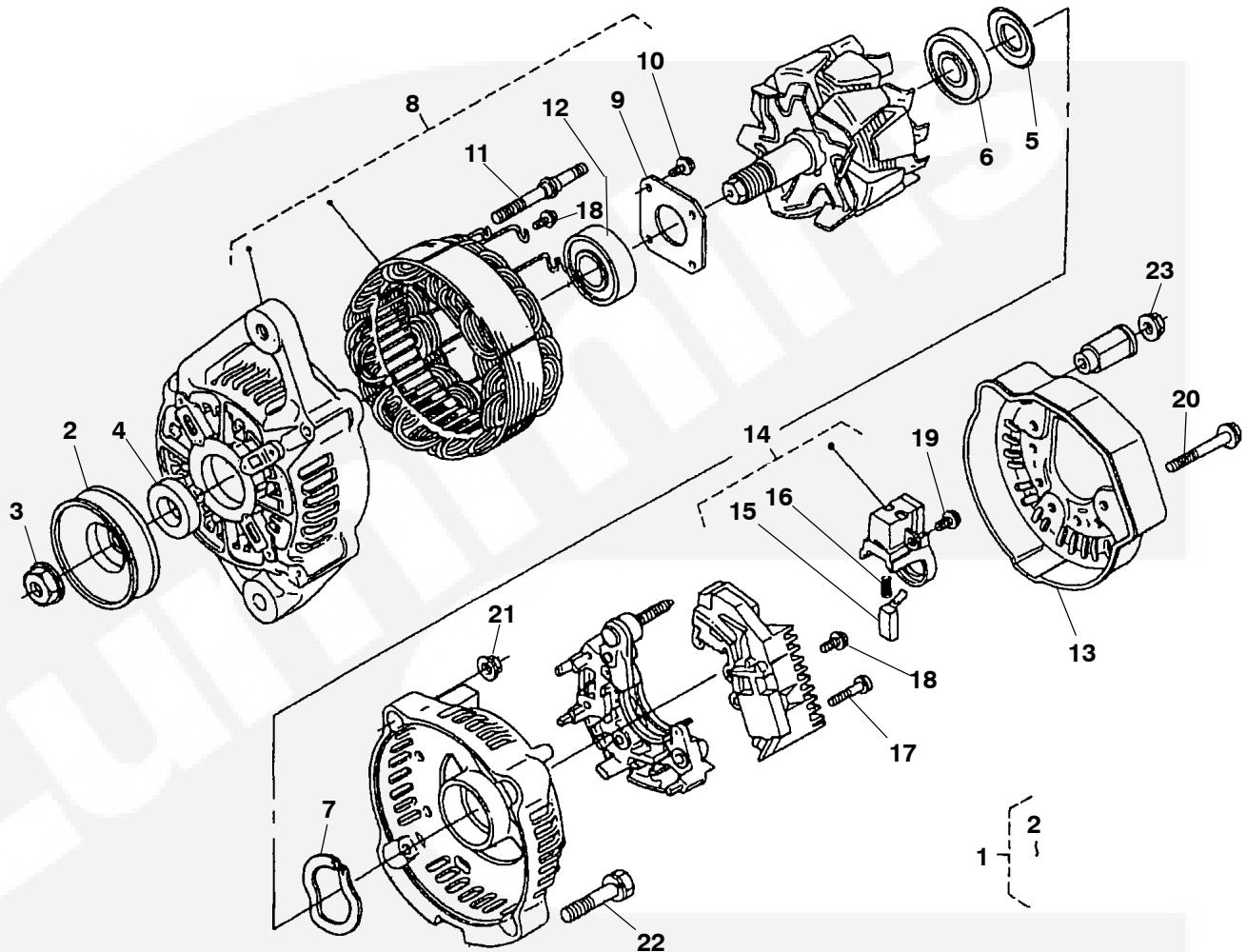


REF NO.	PART NO.	QTY USED	PART DESCRIPTION	REF NO.	PART NO.	QTY USED	PART DESCRIPTION
1			Alternator, Complete (See Separate Page for Components)	3	815-1596	1	Bolt
	185-5994	1	12V	4	185-4255	1	Nut
	185-6724	1	24V	5	185-6759	1	Washer, Spring
2			Bracket, Adjusting	6	512-0445	1	Pulley, Fan Drive
	191-2505	1	12V	7	185-5905	1	Key
	191-2506	1	24V	8			Belt
					185-7016		12V
					511-0252	1	24V





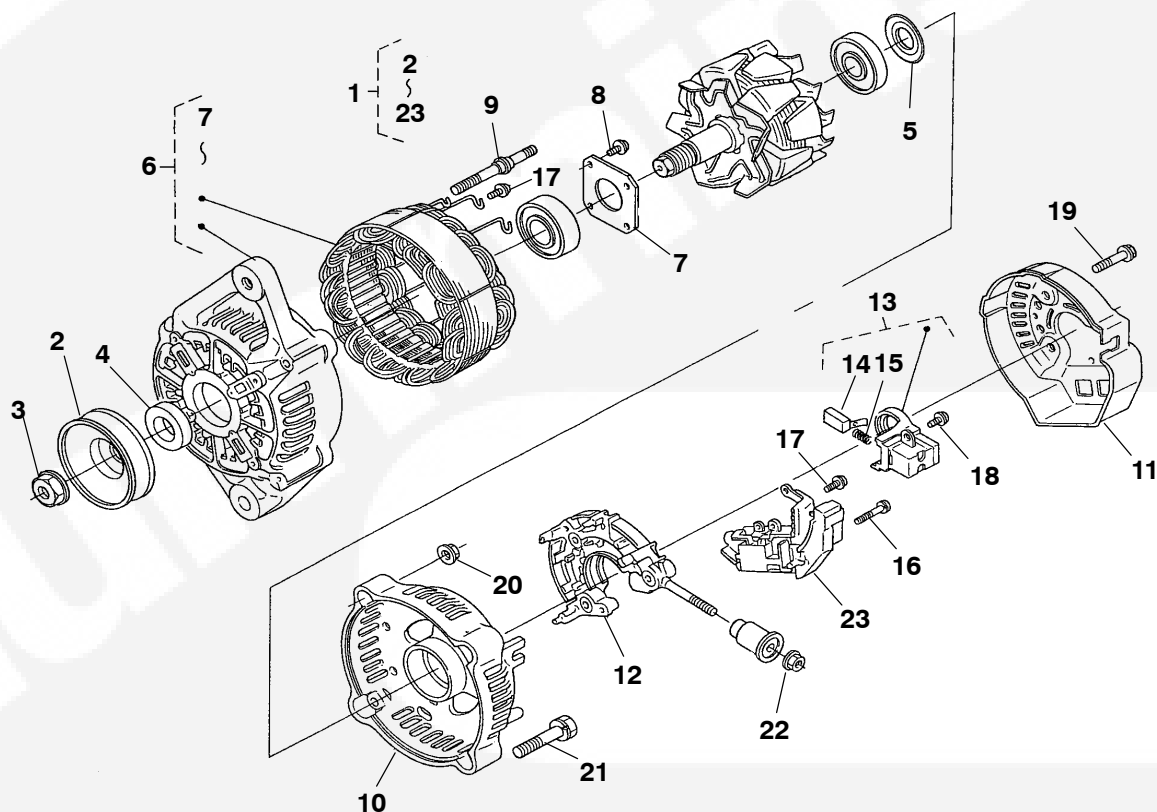
## Alternator Components (Negative Ground) (12V)



REF NO.	PART NO.	QTY USED	PART DESCRIPTION	REF NO.	PART NO.	QTY USED	PART DESCRIPTION
1	185-5994	1	Assy., Alternator (12V)	14	185-6819	1	Holder Assy, Brush (Includes Brushes and Springs)
2	185-6186	1	Pulley	15	185-5783	2	Brush
3	185-5768	1	Nut	16	185-5784	2	Spring, Brush
4	185-5769	1	Collar	17	185-5785	2	Screw, Round Head
5	185-5771	1	Cover, Bearing	18	185-5786	6	Screw, Round Head
6	185-5777	1	Bearing	19	185-5787	1	Screw, Round Head
7	185-6787	1	Washer, Thrust	20	185-5788	3	Bolt
8	185-5773	1	Frame, Drive End (Includes Parts Marked *)	21	185-5789	2	Nut
9	185-5774	1	*Plate, Retainer	22	185-5790	2	Bolt
10	185-5775	4	*Screw, Round Head	23	185-2961	1	Nut
11	185-7076	2	*Bolt, Through				
12	185-6813	1	*Bearing				
13	185-6189	1	Cover, End				

\* - Parts Included in Drive End Frame

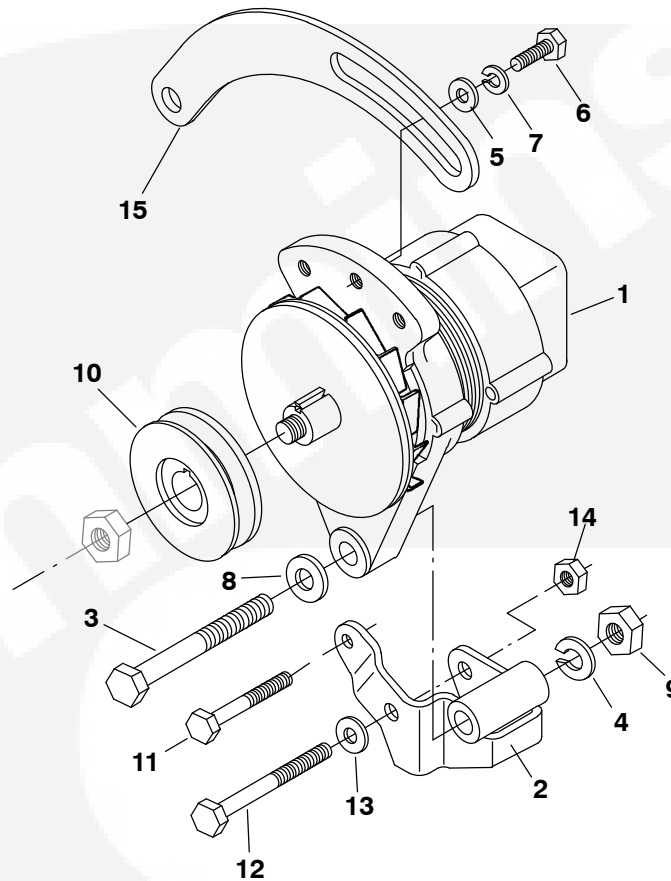
## Alternator Components (Negative Ground) (24V)



REF NO.	PART NO.	QTY USED	PART DESCRIPTION	REF NO.	PART NO.	QTY USED	PART DESCRIPTION
1	185-6724	1	Alternator (24V)	13	185-6819	1	Holder Assy, Brush (Includes Brushes and Springs)
2	185-6809	1	Pulley	14	185-5783	2	Brush
3	185-5768	1	Nut	15	185-5784	2	Spring, Brush
4	185-5769	1	Collar	16	185-5785	2	Screw, Round Head
5	185-5771	1	Cover, Bearing	17	185-5786	6	Screw, Round Head
6	185-6812	1	Frame, Drive End (Includes Parts Marked *)	18	185-5787	1	Screw, Round Head
7	185-5774	1	*Plate, Retainer	19	185-5788	3	Bolt
8	185-5775	4	*Screw, Round Head	20	185-5789	2	Nut
9	185-7076	2	*Bolt, Through	21	185-5790	2	Bolt
10	181-9096	1	Frame, End	22	185-2961	1	Nut
11	185-6815	1	Cover, End	23	185-6820	1	Regulator
12	185-6816	1	Rectifier				

\* - Parts Included in Drive End Frame

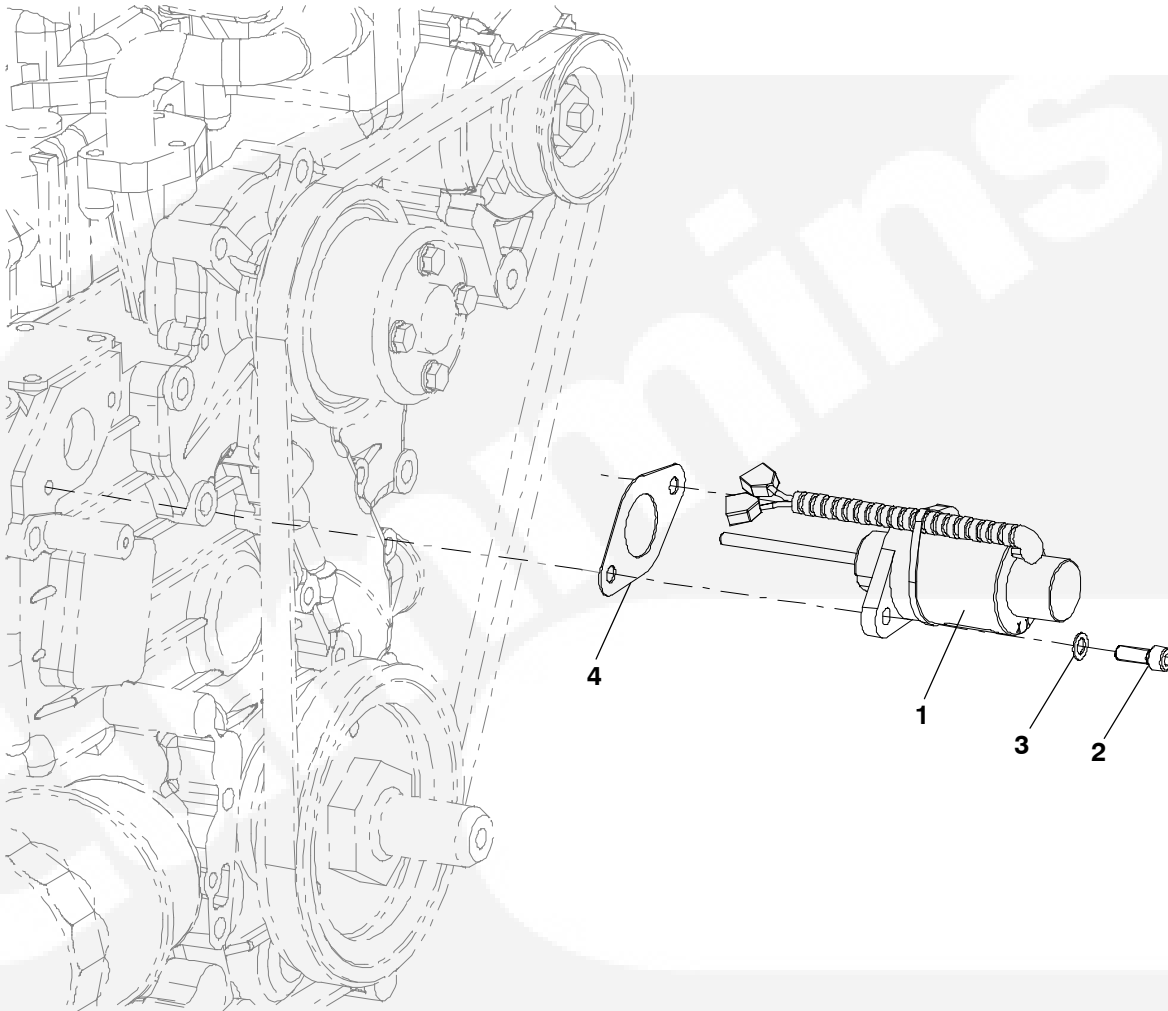
## Alternator (Isolated Ground) (12V/24V)



REF NO.	PART NO.	QTY USED	PART DESCRIPTION	REF NO.	PART NO.	QTY USED	PART DESCRIPTION
1			Alternator, Complete (No Components Available)	10	191-2170	1	Pulley, Alternator
	191-2169-02	1	12V	11	718-1048	1	Screw, Hex Head Cap (M8 x 80mm)
	191-2169-01	1	24V	12	800-2071	1	Screw, Hex Head Cap (M8 x 1.25 x 90mm)
2	191-2489-02	1	Bracket, Alternator	13	526-0451	1	Washer, Flat
3	800-0104	1	Screw, Hex Head Cap (1/2-13 x 4-1/2")	14	870-2055	1	Nut, Hex-Lock Flange (M8 x 1.25)
4	850-0060	1	Washer, Lock (1/2")	15	A026K127	1	Bracket, Adjustable Alternator
5	850-0045	1	Washer, Flat (5/16")				
6	800-0027	1	Screw, Hex Head Cap (5/16-18 x 7/8")				
7	526-0045	1	Washer, Lock (5/16")				
8	526-0219	1	Washer, Flat (1/2")				
9	862-0016	1	Nut (1/2-13)				

\* - Alternator ties to G2-GND, Iso Ground Harness (See Isolated Ground 338-4200-01)

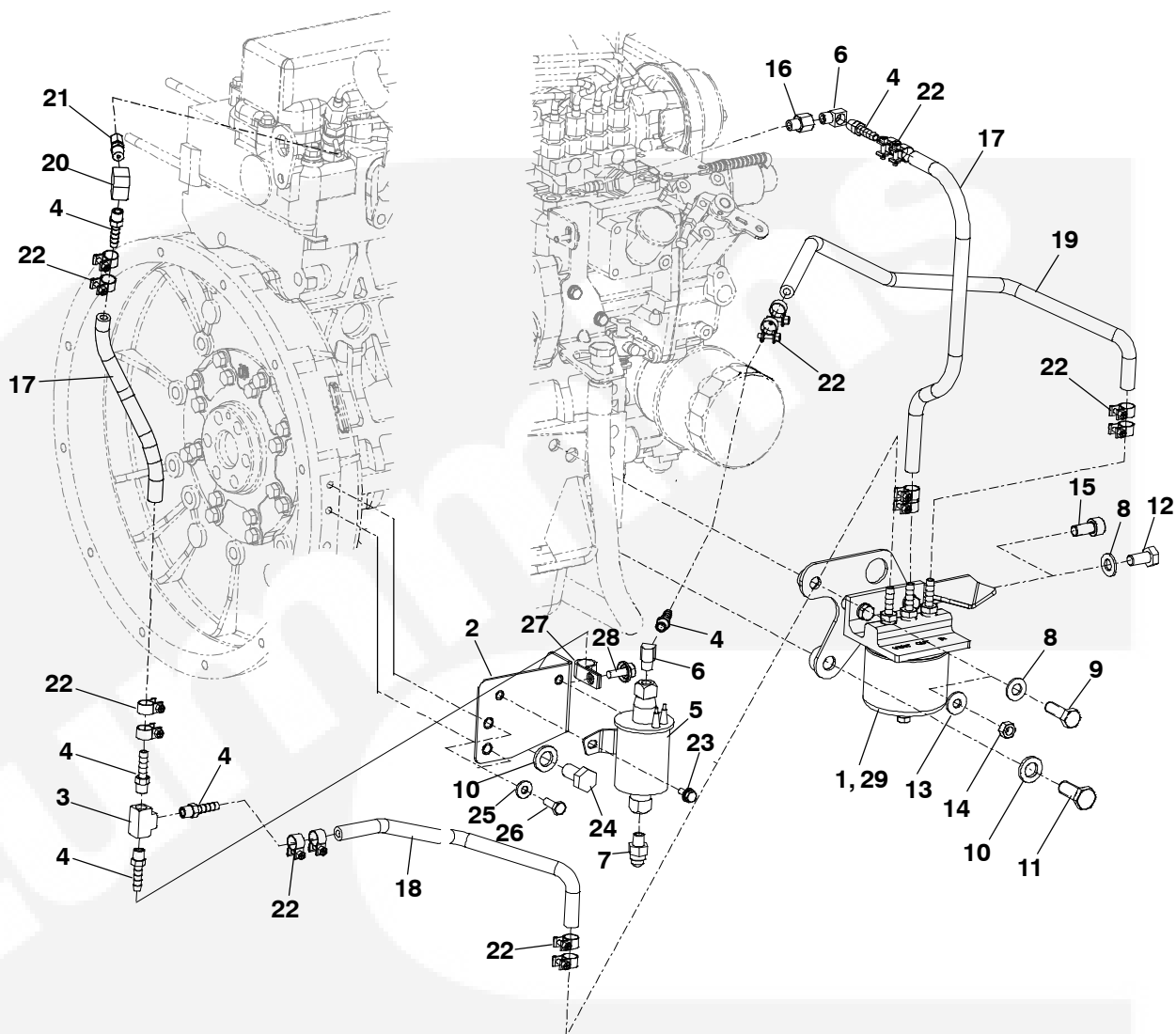
## Governor Actuator



REF NO.	PART NO.	QTY. USED	PART DESCRIPTION
1	306-5316-01	1	Actuator, Governor 12V
	306-5316-02	1	24V
2	725-1027	2	Screw, Socket Head Cap (M6 x 16mm)
3	526-0063	2	Washer, Copper (1/32")
4	150-2918	1	Gasket, Solenoid Cover

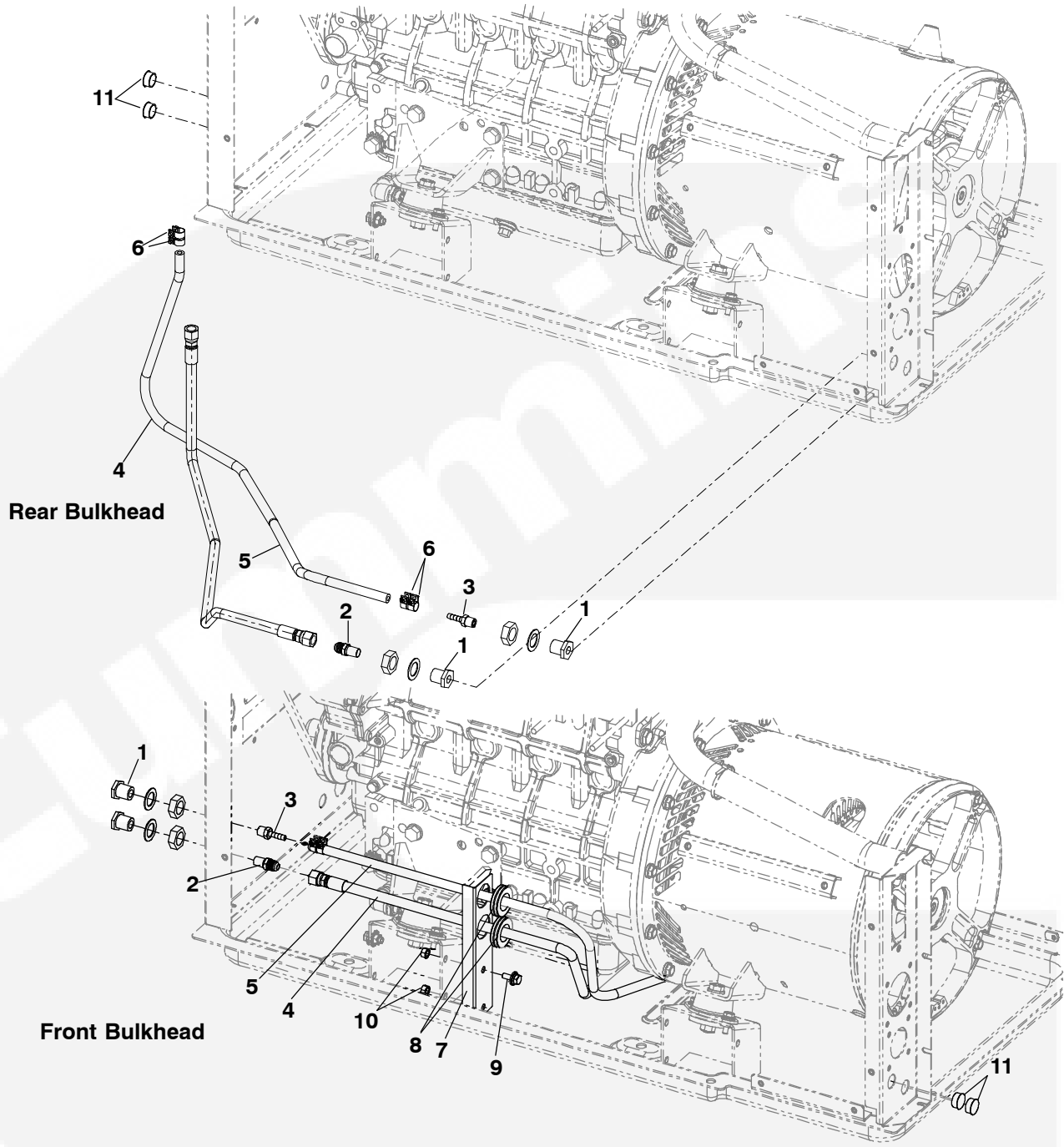


## Fuel System



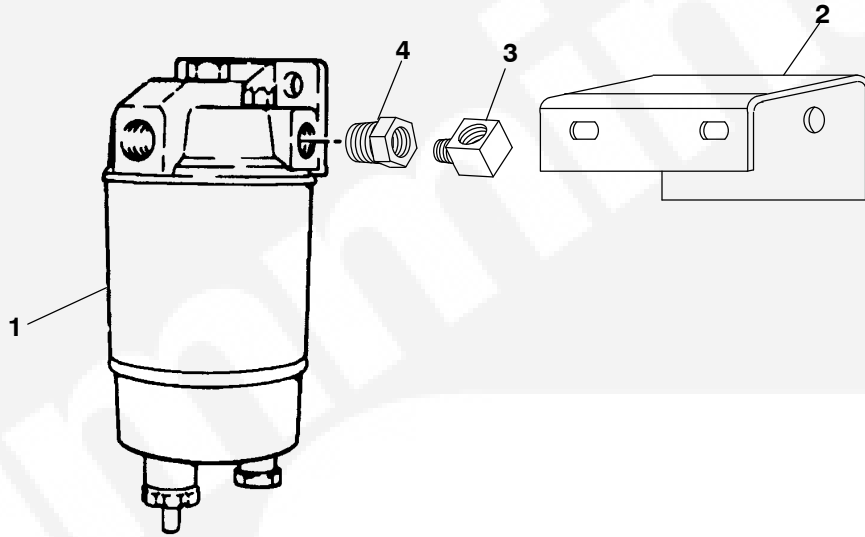
REF NO.	PART NO.	QTY USED	PART DESCRIPTION	REF NO.	PART NO.	QTY USED	PART DESCRIPTION
1	146-0891	1	Fuel, System	15	815-0904	1	Screw, Socket Head Cap
2	149-2862-03	1	Bracket, Fuel Pump	16	502-0175	1	Adapter, Pipe (1/8")
3	502-0079	1	Tee	17	503-2806	1	Hose, Fuel
4	502-1367-01	6	Connector, Hose	18	503-2883-11	1	Hose, Fuel
5			Pump, Fuel	19	503-2883-12	1	Hose, Fuel
	149-2646	1	12V	20	502-0055	1	Elbow, Pipe
	149-2795	1	24V	21	502-1245	1	Adapter, Pipe
6	502-0020-01	1	Elbow, 90°	22	503-2808	16	Clamp, Hose
7	505-1490	1	Connector, Male	23	821-6002-02	2	Screw, Hex Head Sems (M6 x 1.0 x 12mm)
8	526-2120	1	Washer, Flat (M10)	24	800-3031	1	Screw, Hex Head Cap (M12 x 1.25 x 25mm)
9	800-3005	1	Screw, Hex Head (M10 x 1.25 x 30mm)	25	526-0399-13	2	Washer, Flat
10	526-0399-64	1	Washer, Flat (M12)	26	800-0310-04	2	Screw, Hex Head Cap
11	800-3032	1	Screw, Hex Head (M12 x 1.25 x 30mm)	27	518-0548-08	1	Clamp, Hose
12	800-3004	1	Screw, Hex Head Cap (M10 x 1.25 x 20mm)	28	821-6003-01	1	Screw, Hex Head Sems (M8 x 1.25 x 16mm)
13	526-2106	1	Washer, Flat (M8)	29	149-2634-01	1	Filter, Fuel (Not Shown)
14	860-2008	1	Nut, Hex (M8 x 1.25mm)				

## Fuel Transfer Lines



REF NO.	PART NO.	QTY. USED	PART DESCRIPTION	REF NO.	PART NO.	QTY. USED	PART DESCRIPTION
1	502-1133	2	Coupling, Anchor	8	508-0117	1	*Grommet (1") Front Housed
2	502-1615	1	Coupling, Hose	9	821-6003-01	2	*Screw, Hex Head Sems (M8 x 1.25 x 16mm)
3	502-1367-02	1	Connector, Hose (1/4NPT x 1/4 Hose)	10	750-1006	2	*Nut, Hex (M8 x 1.25mm)
4	503-2588-06	1	Hose, Fuel	11	517-0136-01	2	Plug, Hole Housed Only
5	503-2935-03	1	Hose, Fuel				
6	503-2808	4	Clamp, Hose				
7	149-2759-03	1	*Bracket, Fuel Line (Front Housed)				
							*-Front Housed Only

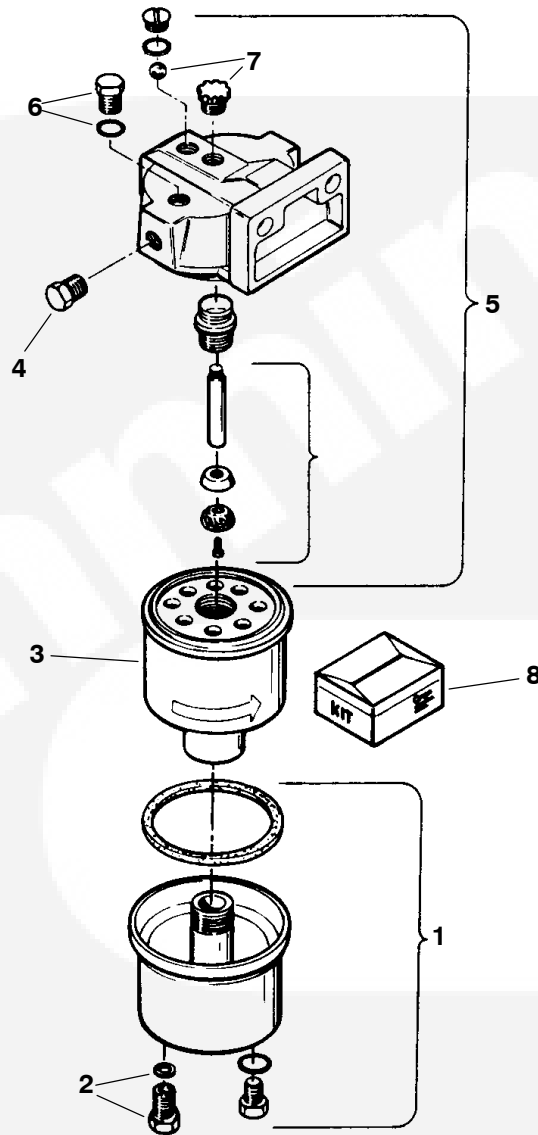
## Remote Water Separator



REF NO.	PART NO.	QTY. USED	PART DESCRIPTION	REF NO.	PART NO.	QTY. USED	PART DESCRIPTION
	A026M935	1	Kit, Remote Fuel/Water Separator	2	149-2041-03	1	Bracket, Separator Mounting
1	149-1908-05	1	Separator, Fuel/Water (See Separate Page for Components)	3	502-0020-01	1	Elbow, Street 90Degrees
				4	502-0029	2	Bushing, Pipe



## Water Separator Components

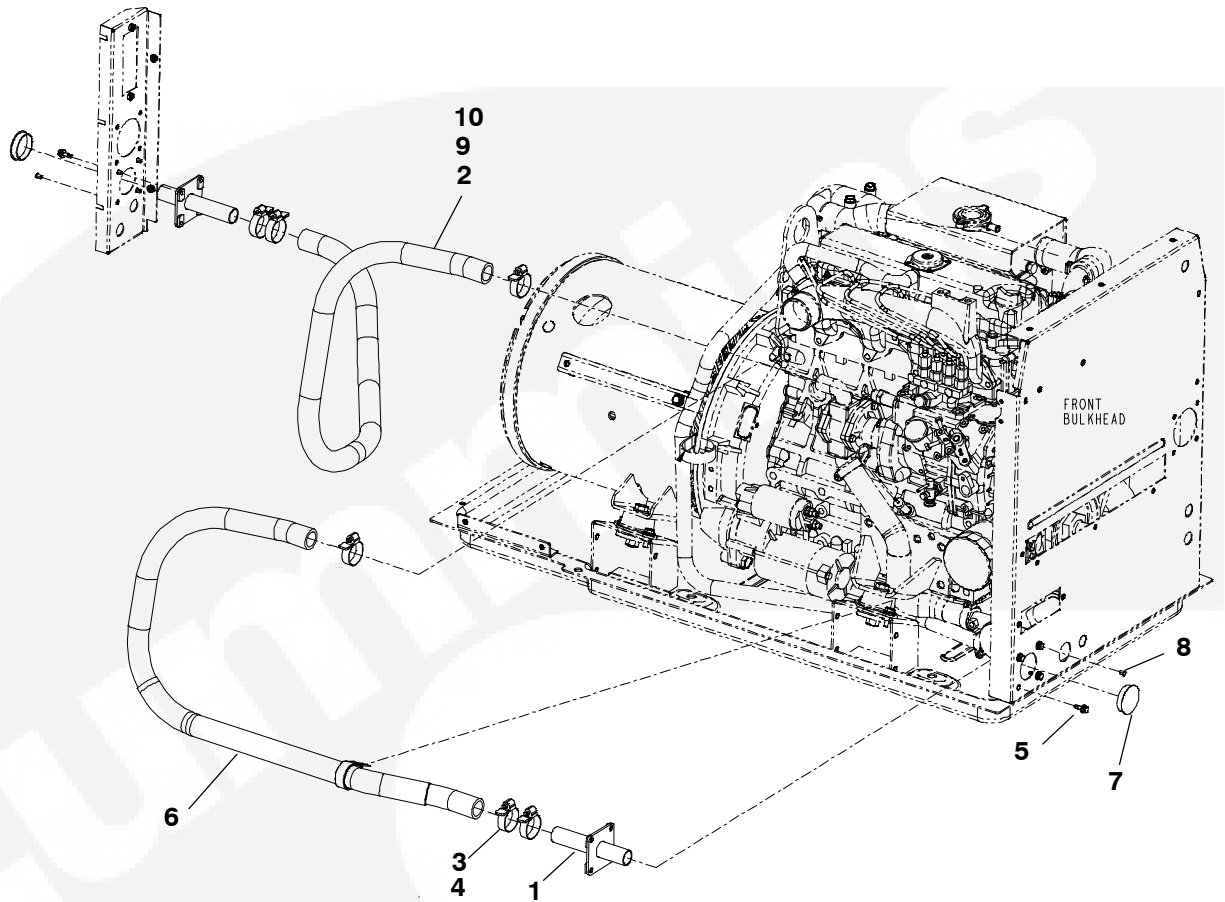


REF NO.	PART NO.	QTY USED	PART DESCRIPTION	REF NO.	PART NO.	QTY USED	PART DESCRIPTION
1	149-1908-05	1	Separator, Water	7	149-2047	1	Pump Assy (Includes Plunger, Retainer, Shaft, Check Ball, Knob and Screw)
	149-2046	1	Kit, Metal Bowl Replacement (Includes Plug, O-Rings and Drain Assy)	8	149-2045	1	O'Ring Kit (Includes Seal and Plunger)
2	149-1953	1	Drain Assy (Includes Knob and Seal)				
3	149-1914-05	1	Element (Includes Seals)				
4	502-0153	1	Plug, Hex (1/4")				
5	149-1949	1	Head Assy, Replacement (Includes Vent Plug, O-Rings, Seal, Cap, Tube and Pump Assy)				
6	149-1952	1	Plug, Vent (Includes O-Ring)				

\* - Parts not shown but included in kit.

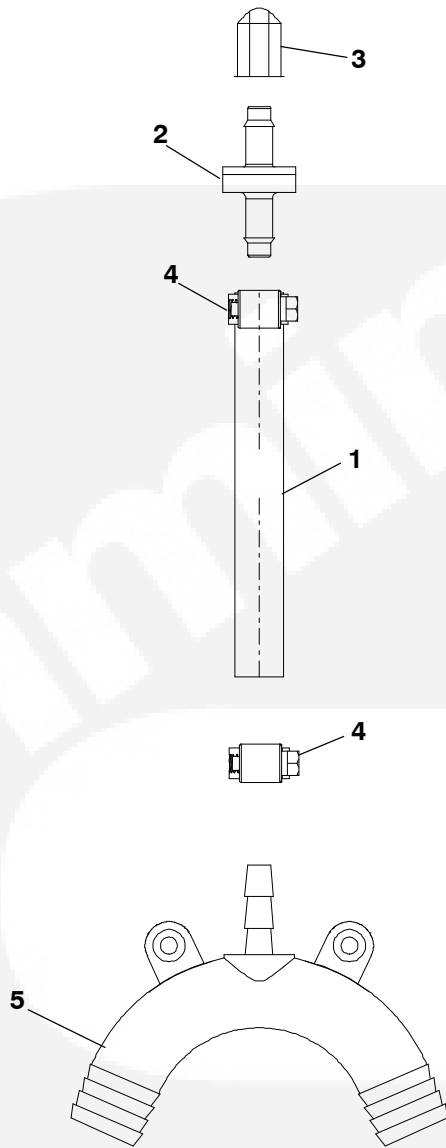


## Water Inlet



REF NO.	PART NO.	QTY USED	PART DESCRIPTION	REF NO.	PART NO.	QTY USED	PART DESCRIPTION
1	404-0058	1	Assy Bulkhead	7	517-0131-02	4	Plug, (Hole Housed Only)
2	501-0997-02		Assy Hose (Water)	8	503-2984	1	Clamp, Hose (J-Style)
	501-0997-01		Front, Rear Housed				Front Housed Only)
			Rear Unhoused	9		1	Hose, Water
3	503-1137	3	Clamp, Hose		503-2953		Rear Unhoused
4	503-2823	3	Clamp, Hose (Cover		503-2954		Front, Rear Housed
5	800-6395-01	4	Screw, Hex Head Sems	10	898-1311-05	1	Sleeving Nylon Mesh
			(M6 x 1.0 x 16mm)				
6	517-0138-07	1	Plug, (Hole Housed Only)				

## Break Siphon



REF NO.	PART NO.	QTY USED	PART DESCRIPTION	REF NO.	PART NO.	QTY USED	PART DESCRIPTION
	541-0876-01	1	Kit, Siphon Break	6	503-0977	2	*Clamp, Hose
1	503-2728-01	1	Hose, Coolant	7	508-1102	2	*Grommet, Rubber
2	504-0223	1	Valve, Check				
3	502-1425-02	1	Cap, Tube				
4	503-2309	2	Clamp, Hose				
5	502-1463	1	Connector, Hose				

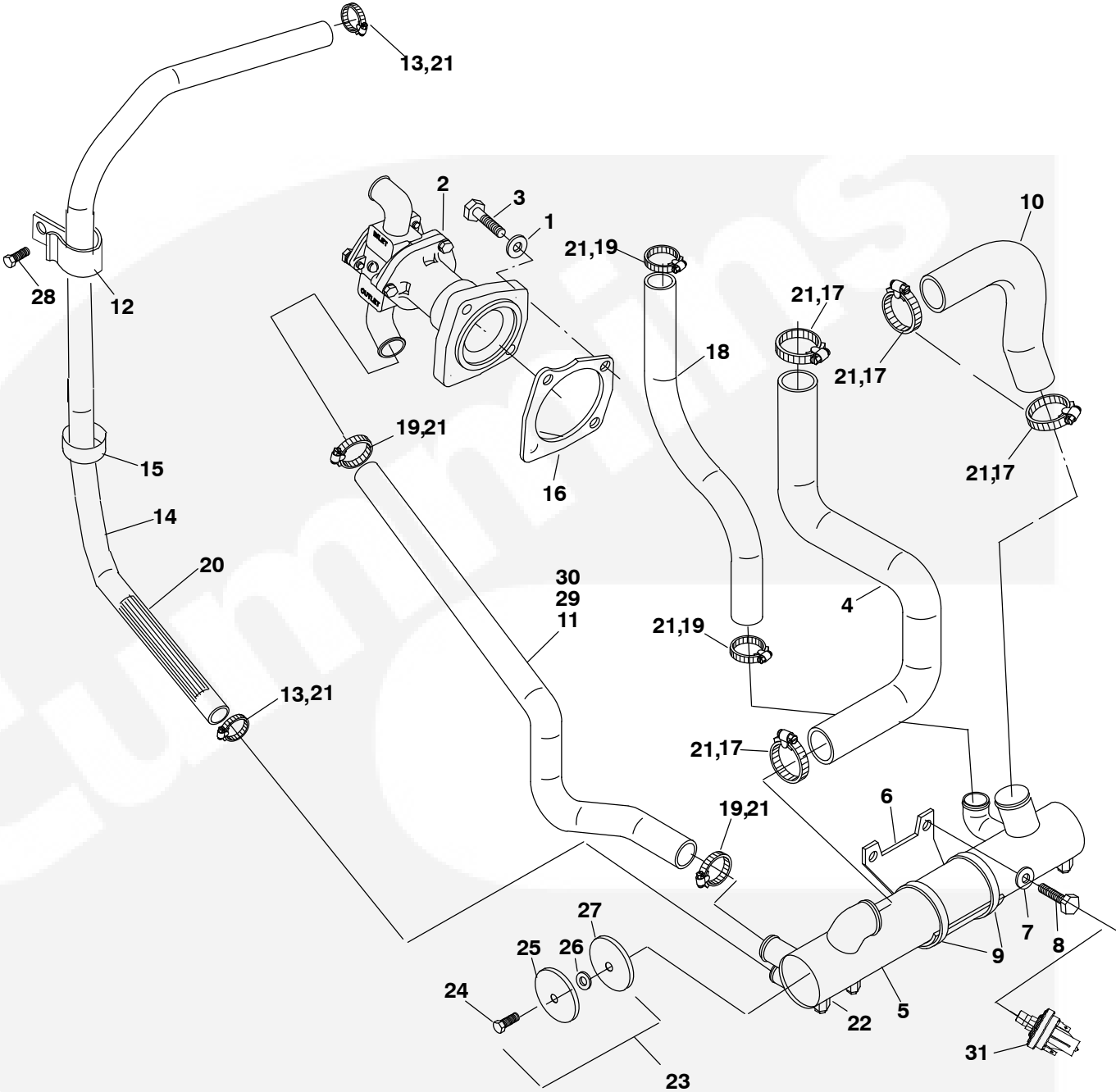
\* - Parts not shown but included in kit.



THIS PAGE INTENTIONALLY LEFT BLANK



# Heat Exchanger

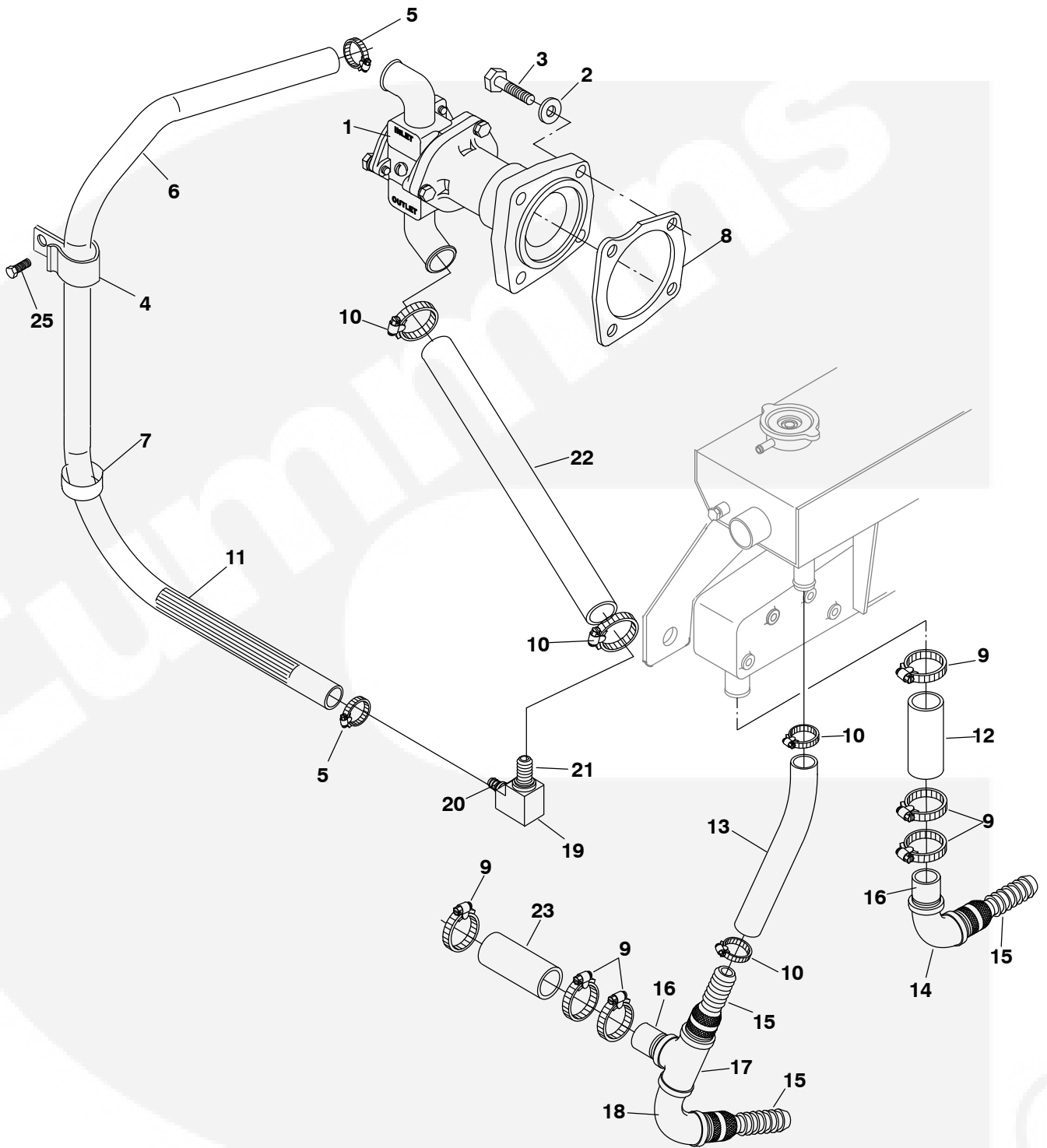


## Heat Exchanger

REF NO.	PART NO.	QTY USED	PART DESCRIPTION	REF NO.	PART NO.	QTY USED	PART DESCRIPTION
1	526-2100	5	Washer, Flat (M8)	19	503-1137	4	Clamp, Hose
2	132-0413	1	Pump, Water	20	898-1311-01	1	Sleeving (Wet Exhaust)
3	800-2057	4	Screw, Hex Head Cap (M8 x 1.25 x 20mm)	21			Clamp, Hose (Cover)
4	503-1977	1	Hose		503-2823	14	Dry Exhaust
5	130-7986-02	1	Exchanger, Heat		503-2823	16	Wet Exhaust
6	130-7987-02	1	Bracket, Heater Exchanger	22	130-4434	1	Pencil, Zinc (W/Screw)
7	526-2120	2	Washer, Flat (M10)	23	130-5176	1	Kit, End Cover (Includes Parts Marked *)
8	800-3004	2	Screw, Hex Head Cap ((M10 x 1.25 x 20mm)	24	800-0317	1	*Screw, Hex Head (5/16-18 x 3/4")
9	503-1143	2	Clamp, Hose	25	130-5169	1	*Cover (Brass)
10	503-1896	1	Hose, Coolant	26	509-0351		*O-Ring
11	503-2909	1	Hose, Coolant	27	130-5170		*Gasket (Rubber)
12	327-0923	1	Clamp, "J" (Wet Exhaust)	28	821-6003-01	1	Screw, Hex Head
13	503-1136	2	Clamp, Hose (Wet Exhaust)	29	503-2910	1	Hose, Coolant
14	503-2122	1	Hose, Coolant (Wet Exhaust)	30	898-1311-02	1	Sleeving Nylon Mesh
15	130-4830	1	Clamp, Hose (2 OD Wet Exhaust)	31	309-0717	1	Switch, Pressure
16	132-0346	1	Gasket, Water Pump				
17	503-1138	8	Clamp, Hose				
18	503-1163	1	Hose, Coolant				

\* - Parts Included in End Cover Kit.

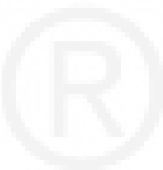
# Keel Cooling



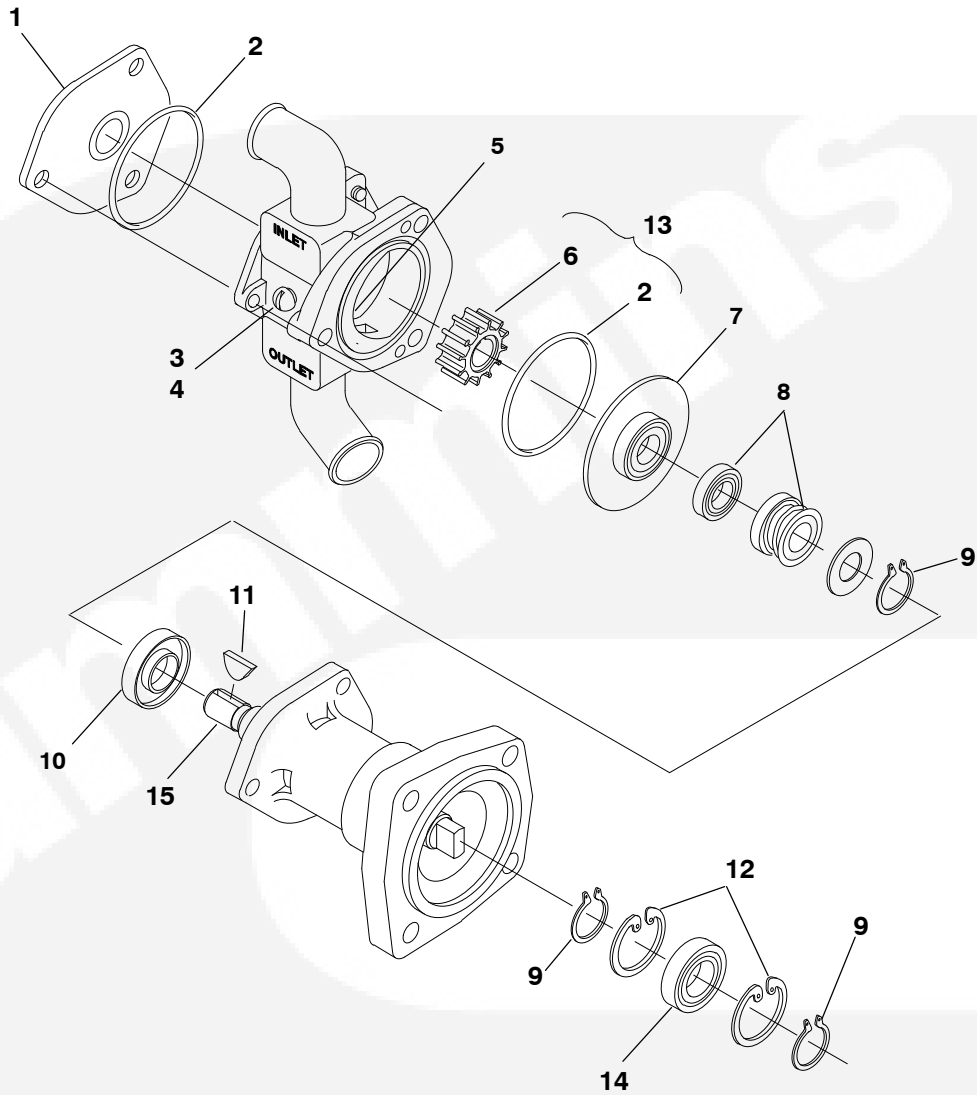
## Keel Cooling

REF NO.	PART NO.	QTY USED	PART DESCRIPTION	REF NO.	PART NO.	QTY USED	PART DESCRIPTION
1	132-0413	1	Pump, Raw Water	15	505-0759	3	Nipple, Combination
2	526-2100	4	Washer, Flat (M8)	16	505-0446-01	2	Nipple, Half
3	800-2057	4	Screw, Hex Head (M8 x 1.25 x 20mm)	17	505-0304	1	Tee (1")
4	327-0923	1	Clamp "J"	18	505-0003	1	Elbow, (1" x 90)
5	503-1136	2	Clamp, Hose	19	502-1297	1	Elbow, 90
6	503-2122-01	1	Hose, Coolant	20	502-1295-01	1	Adapter, (3/4" x 5/8")
7	130-4830	1	Clamp, Hose	21	502-1295-02	1	Adapter, (3/4" x 1")
8	132-0346	1	Gasket, Water Pump	22	503-2079	1	Outlet, Keel Cooling
9	503-1138	10	Clamp, Hose	23	503-2823	2	Hose, Coolant
10	503-1137	4	Clamp, Hose	24	503-2823	16	Cover, Hose Clamp
11	898-1311-01	2	Sleeving	25	821-6003-01	1	Screw, Hex Head (Not Shown)
12	503-2023	2	Hose, Coolant				
13	503-2079	1	Outlet, Keel Cooling				
14	505-0041	1	Elbow, (1 x 90)				

\* - Parts Included in Keel Cooling Kit.



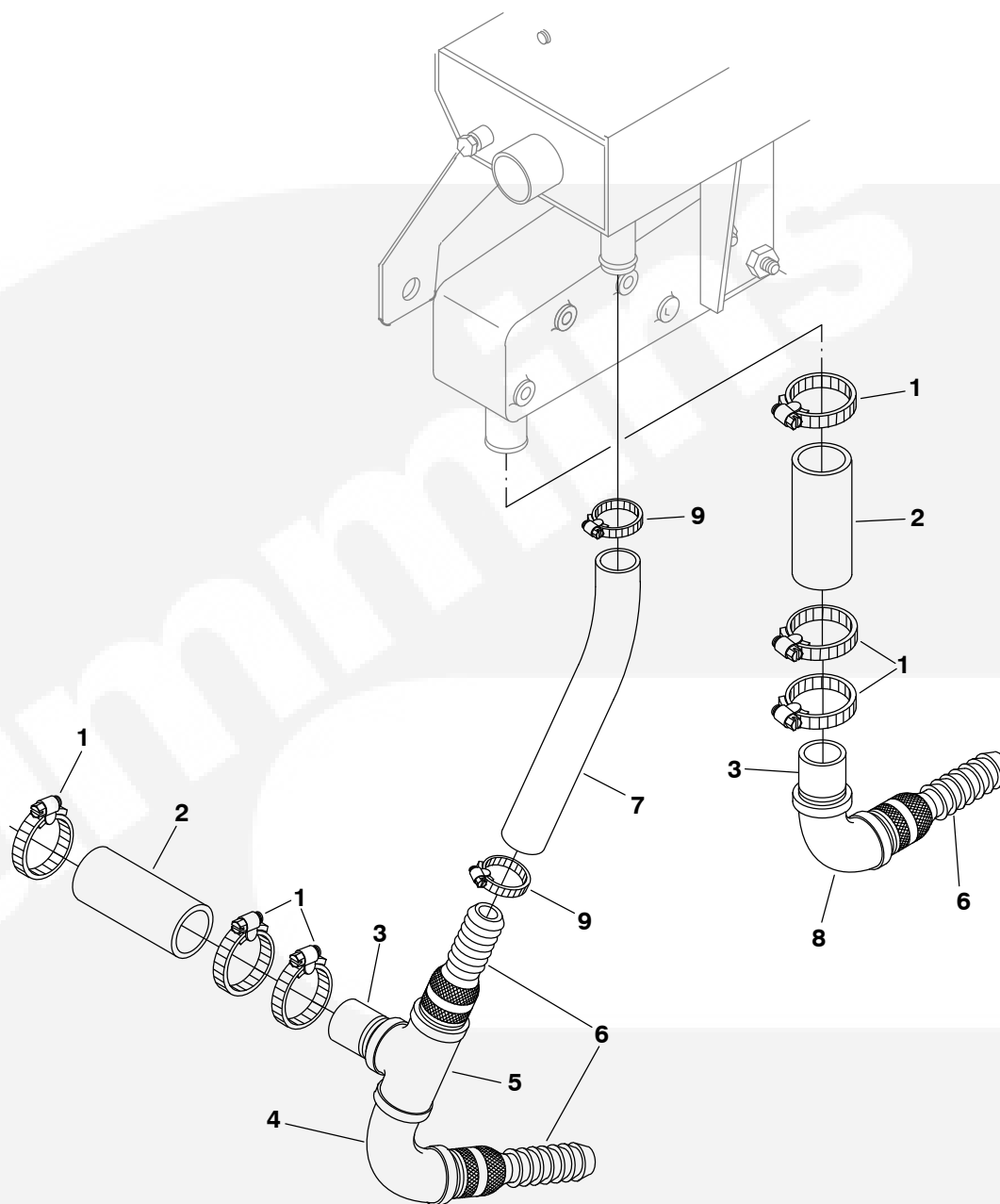
## Water Pump Components



REF NO.	PART NO.	QTY USED	PART DESCRIPTION	REF NO.	PART NO.	QTY USED	PART DESCRIPTION
	541-1523	1	Kit, Major Service (Includes Parts Marked *)	9	132-0393	3	*Ring, Retaining
1	132-0386	1	*Cover	10	132-0394	1	*Seal, Lip
2	132-0293	2	*O'Ring	11	132-0391	1	*Key
3	132-0390	1	*Screw, Cam	12	132-0392	2	*Ring, Retaining
4	132-0389	1	*Washer, Seal	13	541-1521	1	Kit, Minor Water Pump Service (Includes Impeller and O'Ring)
5	132-0388	1	*Cam	14	132-0417	1	Bearing
6	132-0499	1	*Impeller	15	132-0416	1	Shaft
7	132-0385	1	*Plate, Wear		132-0420	1	Ring, Retaining (Not Shown)
8	132-0387	1	*Seal, Seat Assy				



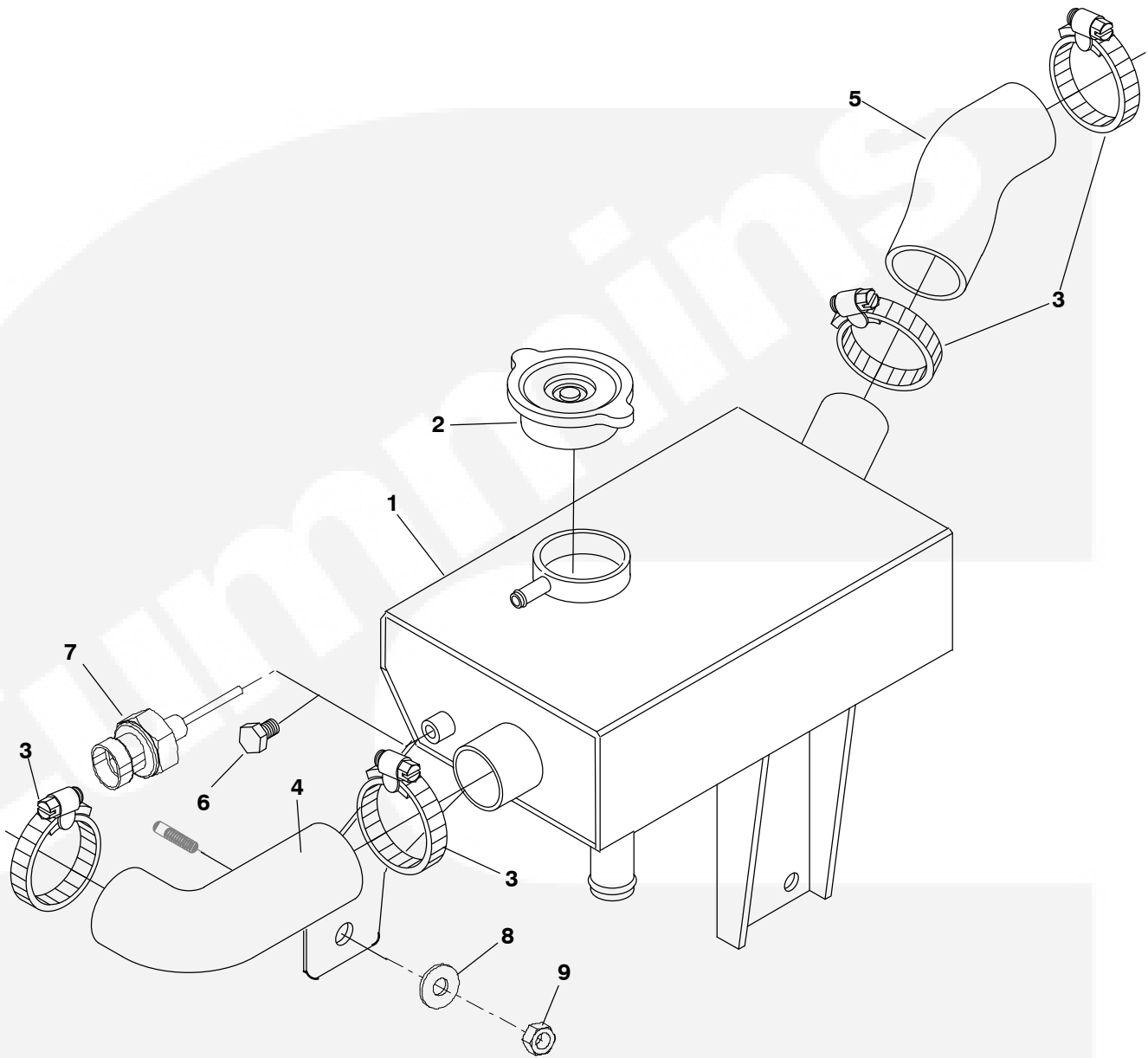
## Keel Cooling System (Dry Exhaust)



REF NO.	PART NO.	QTY USED	PART DESCRIPTION	REF NO.	PART NO.	QTY USED	PART DESCRIPTION
	155-3087	1	Kit, Keel Cooling (Includes Parts Marked *)	7	503-2079	1	*Hose, Coolant (1" x 10")
	155-3284	1	Kit, Exhaust	8	505-0041	1	*Elbow
1	503-1138	6	Clamp, Hose (1-3/8")	9	503-1137	2	Clamp, Hose (1")
2	503-2023	2	*Hose, Coolant (1-3/8" x 4")				
3	505-0446-01	2	*Nipple, Half				
4	505-0003	1	*Elbow				
5	505-0304	1	Tee				
6	505-0759	3	*Barb, Hose				

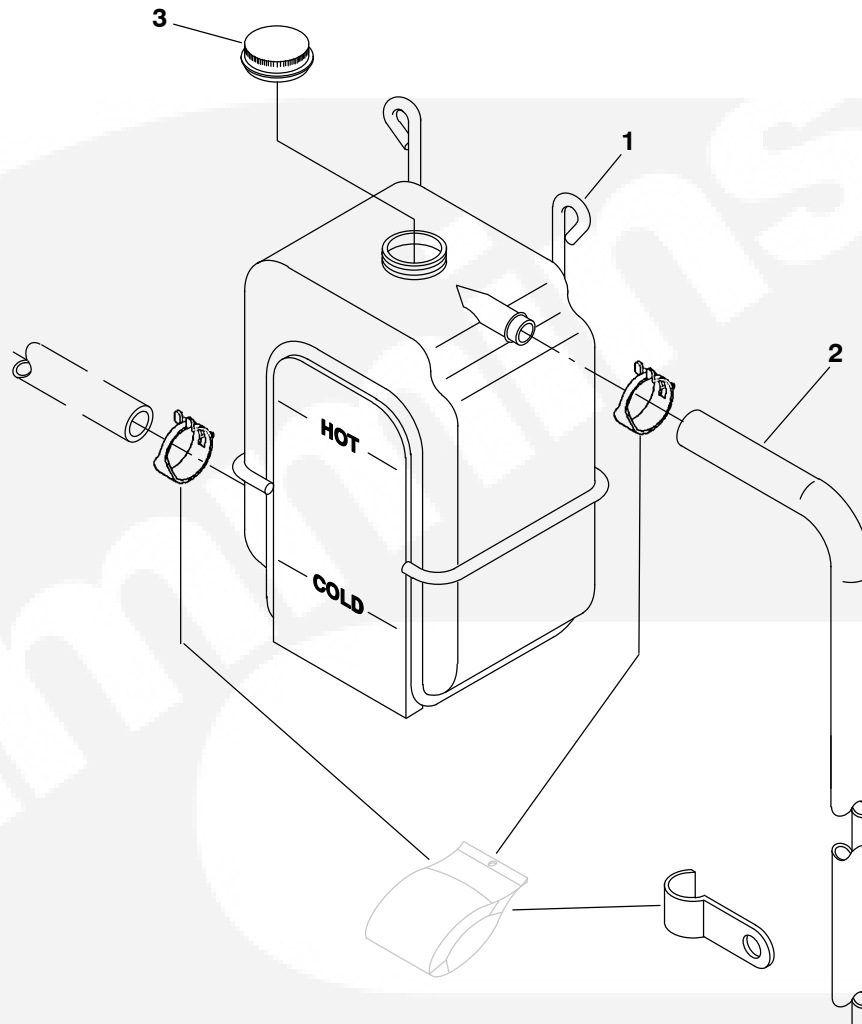
\* - Parts Included in Keel Cooling Kit. (Also Includes Cover, Gasket and Hardware Found on Cylinder Block Page.)

## Coolant Tank



REF NO.	PART NO.	QTY USED	PART DESCRIPTION	REF NO.	PART NO.	QTY USED	PART DESCRIPTION
1	130-7881-02	1	Tank, Coolant	4			Hose, Upper Elbow
2	130-3721	1	Cap, Tank	503-1898	1		MDKDP
3			Clamp, Hose (1-3/8")	503-1999	1		MDKDR, MDKDV
	503-1138	4	Heat Exchange	5	503-1899	1	Hose, Upper "S" (1-3/8")
	503-1138	4	Keel Cooling	6	502-0153	1	Plug, Hex Pipe (1/4)
	503-2823	4	Wet	7	193-0468	1	Sender, Low Coolant
	503-2823	4	Dry	8	526-2100	1	Washer, Flat
				9	750-1006	1	Nut, Hex Head

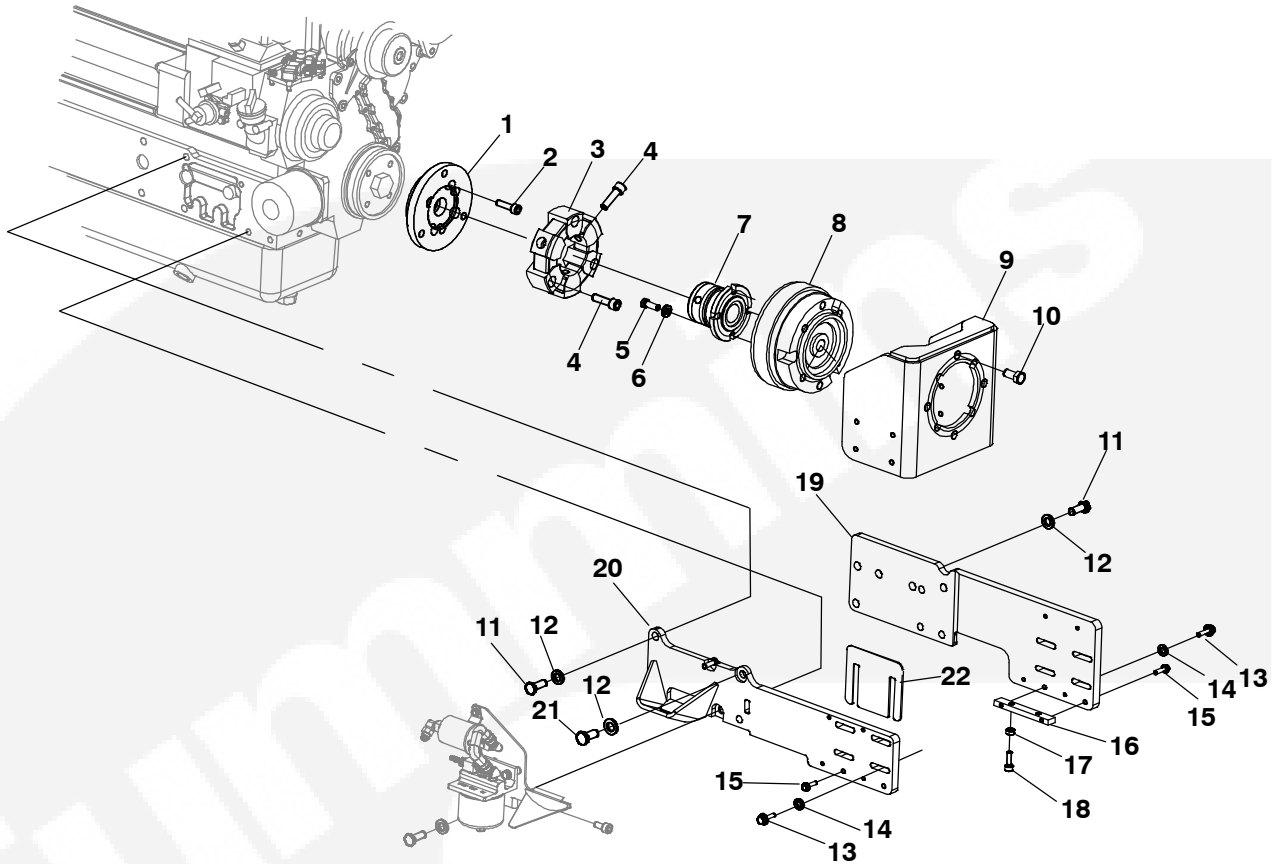
## Coolant Recovery



REF NO.	PART NO.	QTY USED	PART DESCRIPTION	REF NO.	PART NO.	QTY USED	PART DESCRIPTION
	130-3574	1	Kit, Coolant Recovery (Instructions Included)	2	503-1692	1	Hose (5/16 I.D. x 120" Lg.)
1	130-3571	1	Hanger, Tank	3	130-3572	1	Cap, Tank

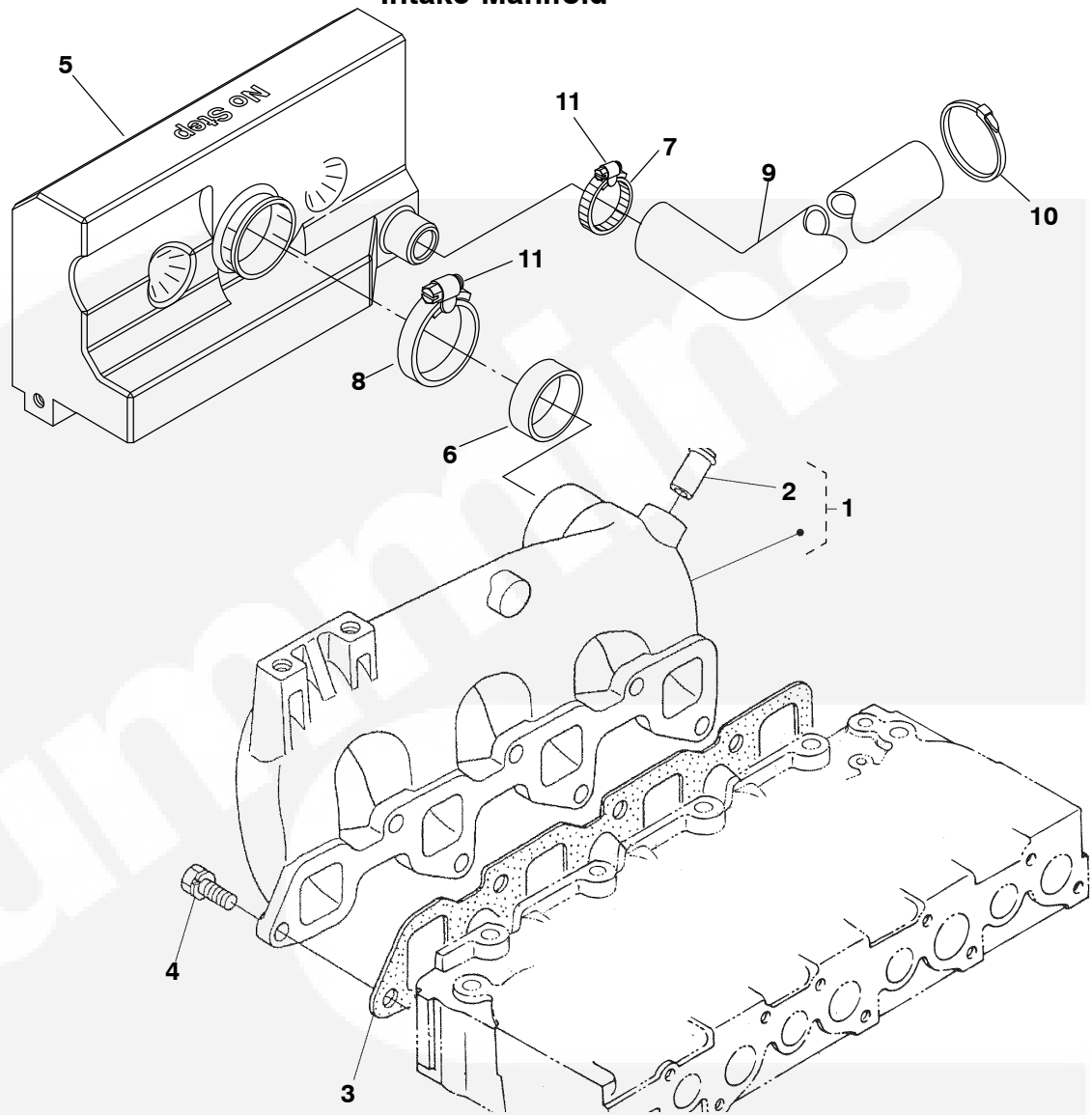


# PTO



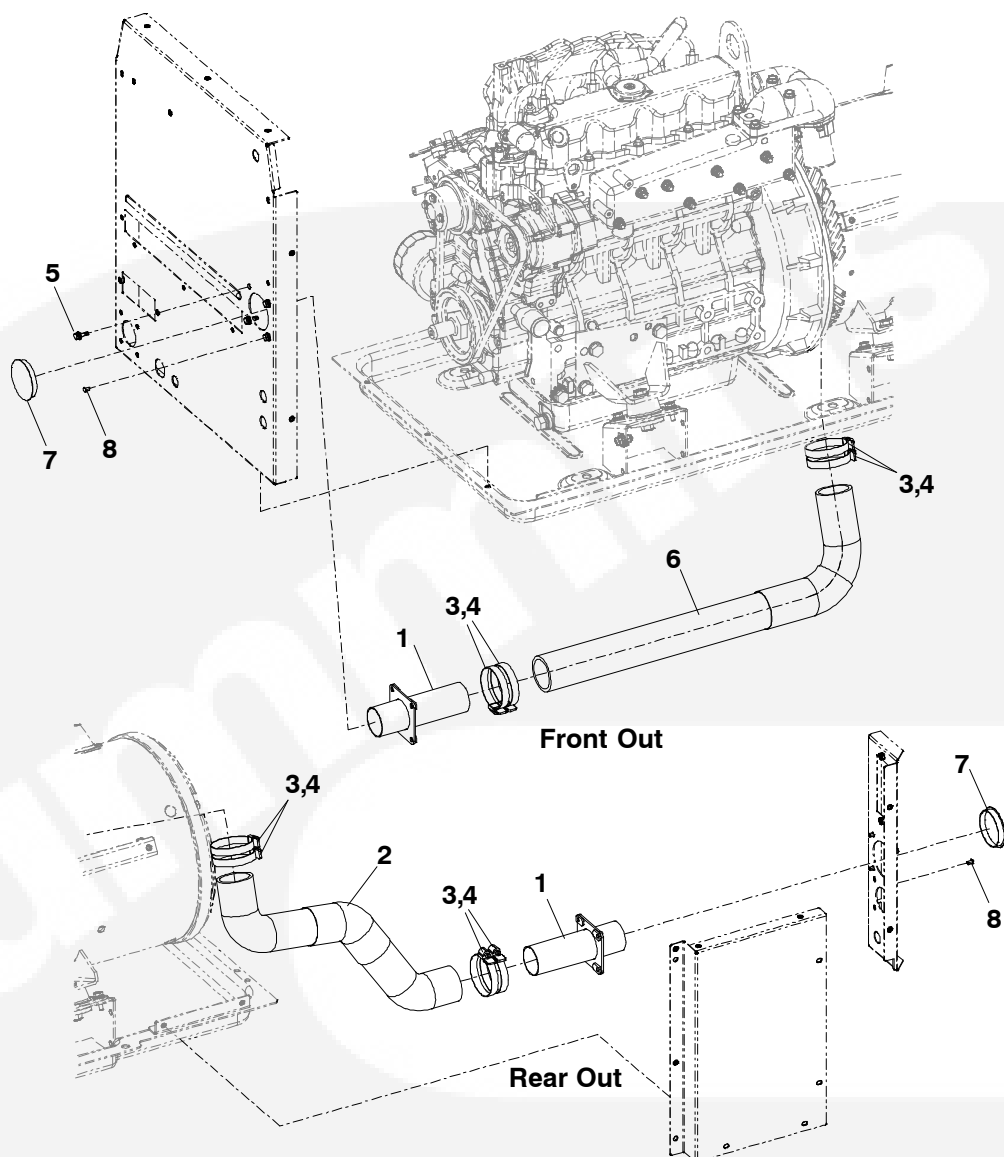
REF NO.	PART NO.	QTY USED	PART DESCRIPTION	REF NO.	PART NO.	QTY USED	PART DESCRIPTION
1	190-0763-02	1	*Adapter, Coupling	14	526-0451	8	*Washer, Flat Stainless (M8)
2	725-1053	3	*Screw, Socket Head Cap	15	821-2035	4	*Screw, Locking Flange (M6 x 1 x 25mm)
3	190-0768	1	*Coupling, Flex	16	190-0766-03	2	*Bracket, Mounting Pad
4	725-1103	6	*Screw, Socket Head Cap (M12 x 1.75 x 40mm)	17	862-0026-55	4	*Nut, Hex (M8)
5	801-1050	4	*Screw, Hex Head Cap (3/8-24 x 1")	18	815-0916	4	*Screw, Socket Head (M8 x 1.25 x 25mm)
6	526-0174	4	*Washer, Flat	19	190-0792-04	1	*Bracket, PTO (Left)
7	190-0767-02	1	*Adapter, Coupling	20	190-0896-02	1	*Bracket, PTO (Right)
8			*Clutch	21	800-3033	1	*Screw, Hex Head Cap (M12 x 1.25 x 25mm)
	190-0729-01	1	12V	22			*Shim, PTO
	190-0729-02	1	24V		190-0771-02 AR		.12 GA
9	190-0769-04	1	*Bracket, PTO Clutch		190-0771-04 AR		.14 GA
10	800-0090	2	*Screw, Hex Head Cap (1/2-13 x 1.00")		190-0771-06 AR		.20 GA
11	800-3032	9	*Screw, Hex Head Cap	* - Parts Included in PTO Kit. (Also Includes Fuel Pump Mounting Hardware Found on Fuel Pump Page)			
12	526-0399-64	10	*Washer, Flat (M12)				
13	800-2515	8	*Screw, Hex Head (M8 x 1.25 x 30mm)				

## Intake Manifold



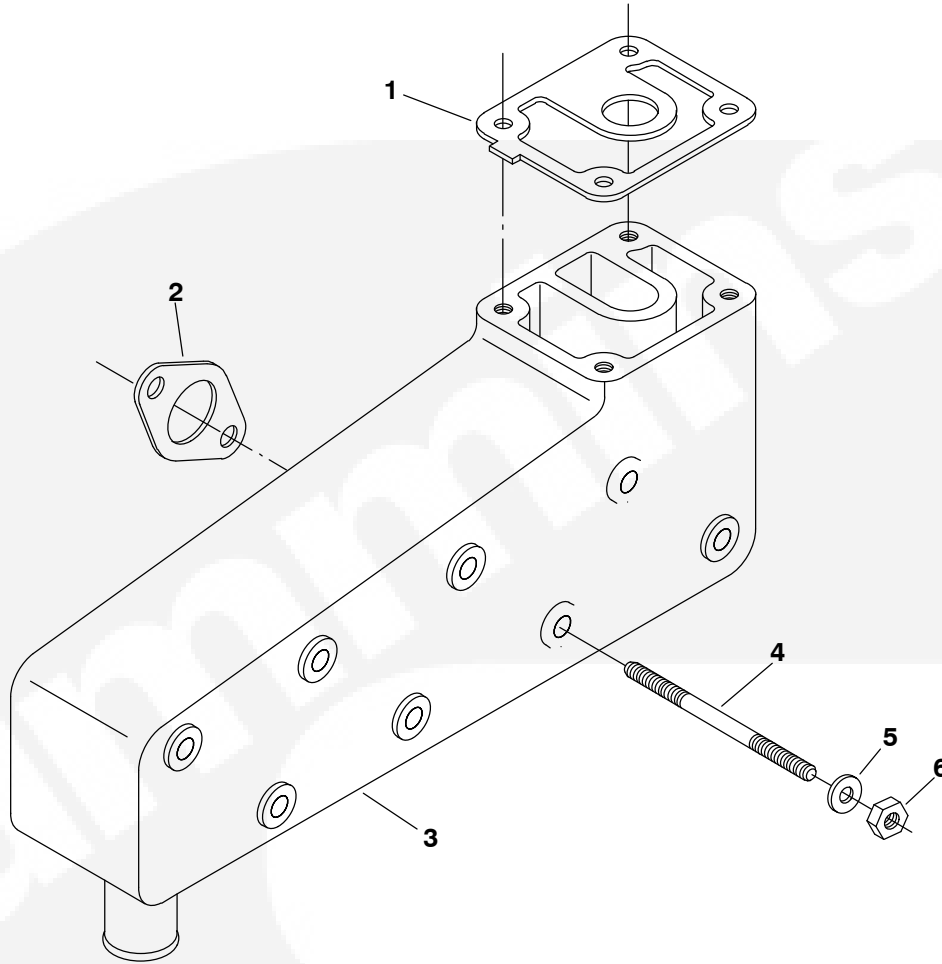
REF NO.	PART NO.	QTY USED	PART DESCRIPTION	REF NO.	PART NO.	QTY USED	PART DESCRIPTION
1	185-6715	1	Manifold Assy, Intake	7	503-1138	1	*Clamp, Hose
2	185-6723	1	Joint, Breather	8	503-1143	1	Clamp, Hose (3")
3	185-6035	1	Gasket	9	503-1939	1	Hose, Intake
4	185-2402	7	Bolt	10	332-1389	1	Cable, Tie
5	140-2859	1	Resonator, Intake	11	503-2823	2	Cover, Hose Clamp
6	140-3048	1	Sleeve, Air Intake				

## Bulkhead Exhaust



REF NO.	PART NO.	QTY USED	PART DESCRIPTION	REF NO.	PART NO.	QTY USED	PART DESCRIPTION
1	404-0057	1	Bulkhead Assy, Exhaust	5	800-6395-01	4	Screw, Hex Head Sems (M6 x 1.0 x 16mm)
2	501-0909-01	1	Hose, (Rear)	6	501-1005	1	Hose, (Front Housed)
3	503-1142	4	Clamp, Hose	7	517-0138-09	1	Plug, Hole (Housed)
4	503-2823	4	Clamp, Hose (Cover)	8	517-0131-02	4	Plug, Hole (Housed)

## Exhaust Manifold

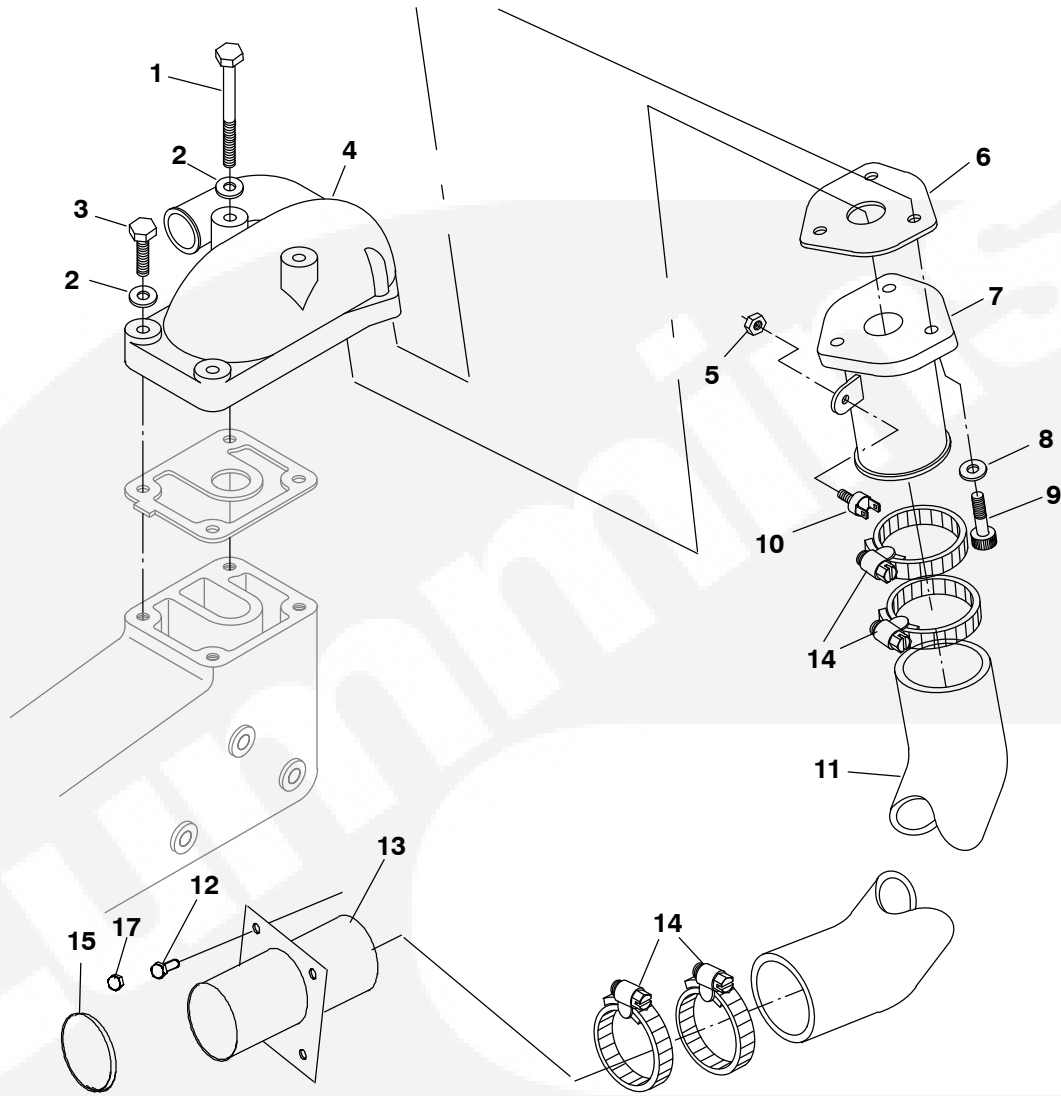


REF NO.	PART NO.	QTY USED	PART DESCRIPTION	REF NO.	PART NO.	QTY USED	PART DESCRIPTION
1	155-2975	1	*Gasket, Riser, Adapter	5	526-2100	8	Washer, Flat (M8)
2	154-2915	4	Gasket, Exhaust Manifold	6	750-1006	8	Nut (M8 x 1.25)
3	154-2887	1	Manifold, Exhaust				
4	520-2218	8	Stud				

\* - Part Included in Exhaust Adapter Kit Found on Dry Exhaust Page.



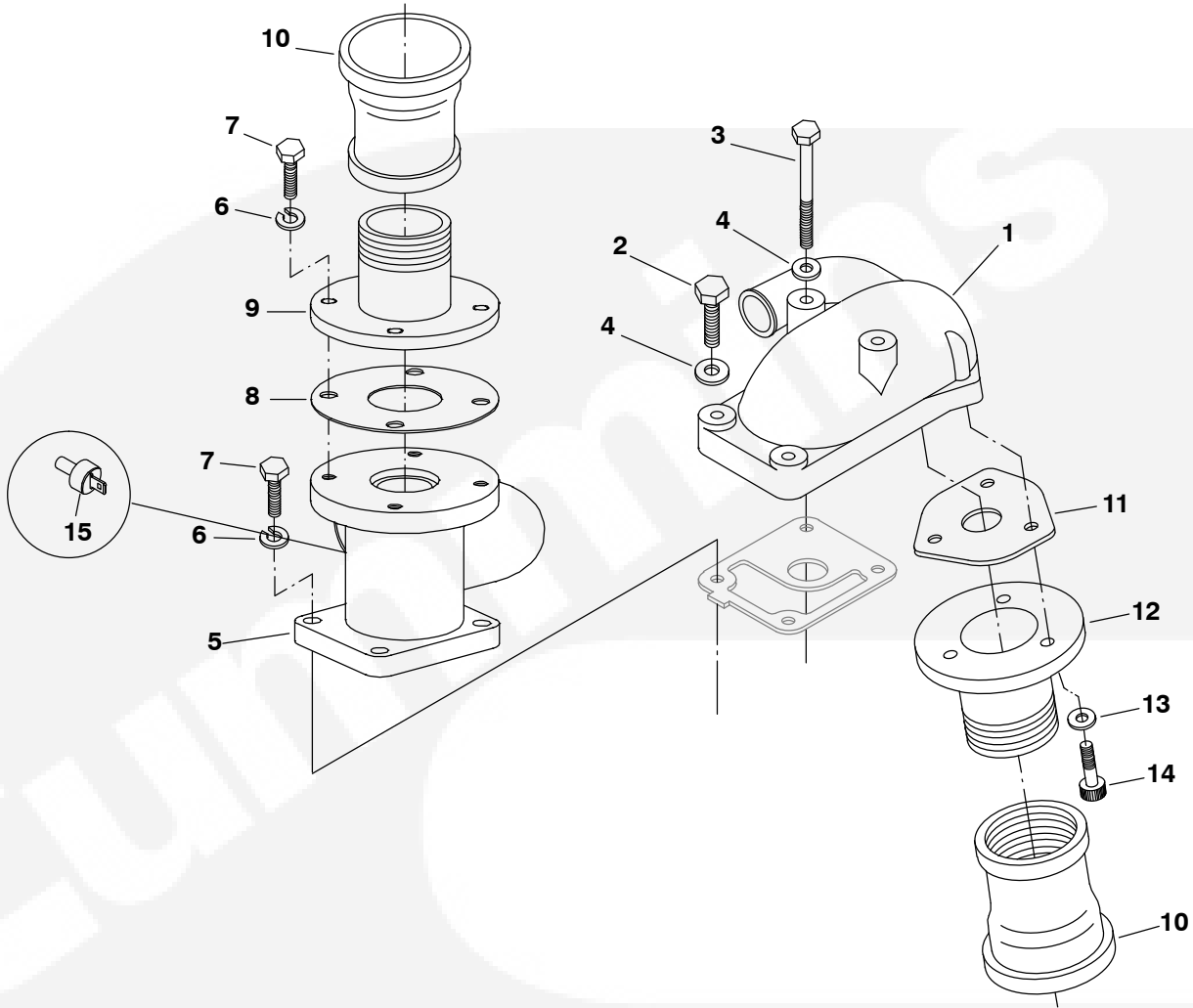
## Wet Exhaust



REF NO.	PART NO.	QTY USED	PART DESCRIPTION	REF NO.	PART NO.	QTY USED	PART DESCRIPTION
			Kit, Exhaust (Wet)				
	541-1472-01	1	13.5 MDKDP (Rear Out)	6	155-3061	1	Gasket, Mixer
	541-1472-02	1	13.5 MDKDP (Front Out)	7	154-3163	1	Mixer
	541-1472-03	1	17 MDKDP, 17.5 and 21.5 MDKDR, 19 MDKDV (Rear Out)	8	740-1004	3	Washer, Flat (M6)
	541-1472-04	1	17 MDKDR, 17.5 and 21.5 MDKDR, 19 MDKDV (Front Out)	9	802-2068	3	Screw, Socket Cap (M6 x 1 x 20mm)
1	800-2067	2	Screw, Hex Head Cap (M8 x 1.25 x 70mm)	10	309-0597-01	1	Switch, High Exhaust Temperature (S5)
2	526-2100	4	Washer, Flat (M8)	11	501-1005	1	Hose, Exhaust
3	800-2515	2	Screw, Hex Head Cap (M8 x 1.25 x 30mm)	12	800-6395-01	4	Screw, Hex Head Sems Stainless (M6 x 1 x 16mm)
4	154-2891	1	Riser, Exhaust	13	404-0057	1	Bulkhead, Exhaust Connector
5	870-0221-01	1	Nut, Hex (8-32)	14	503-1142	4	Clamp, Hose Exhaust
				15	517-0138-09	1	Plug, Hole (Rear Out Housed)
				16	503-2823	4	Cap, Hose Clamp (Not Shown)
				17	517-0131-02	4	Plug (Rear Out Housing)



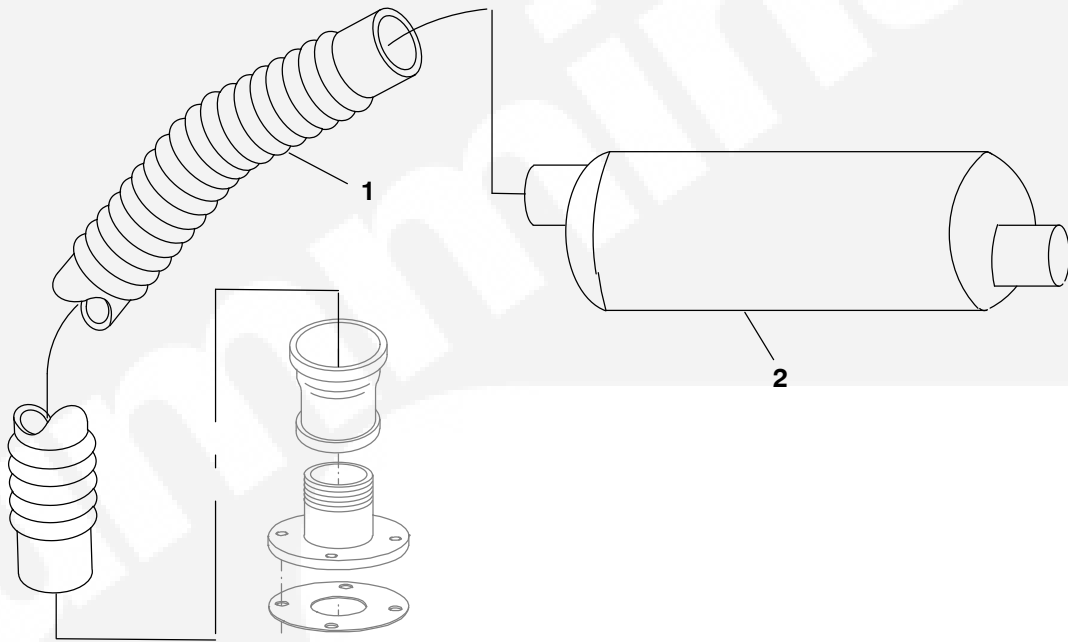
## Dry Exhaust (Up or Down)



REF NO.	PART NO.	QTY USED	PART DESCRIPTION	REF NO.	PART NO.	QTY USED	PART DESCRIPTION
	155-4690	1	Kit, Exhaust Adapter (Includes Parts Marked *)	8	155-2981	1	*Gasket, Exhaust Adapter
	155-4691	1	Kit, Exhaust Flange (Includes Parts Marked +)	9	155-3069-02	1	*Flange, Exhaust
1	154-2891	1	Riser, Exhaust	10	505-0339-02	1	*Coupling, Reducer (2 x 1-1/2")
2	800-2515	2	Screw, Hex Head Cap (M8 x 1.25 x 30mm)	11	155-3061	1	+Gasket, Exhaust (Mixer)
3	800-2067	2	Screw, Hex Head Cap (M8 x 1.25 x 70mm)	12	155-3068-02	1	+ Flange, Exhaust
4	526-2100	4	Washer, Flat (M8)	13	740-1004	3	+Washer, Flat (M6)
5	154-2963-02	1	*Adapter, Exhaust	14	802-2068	3	+Screw, Socket Cap (M6 x 1 x 20mm)
6	850-2008	8	*Washer, Lock (M8)	15	309-0597-01	1	Switch, Hi Exhaust Temperature
7	718-1037	8	*Screw, Hex Head Cap (M8 x 1.25 x 25mm)				

\* - Parts Included in Exhaust Adapter Kit. (Also Includes Gasket on Exhaust Manifold Page.)  
 + - Parts Included in Exhaust Flange Kit.

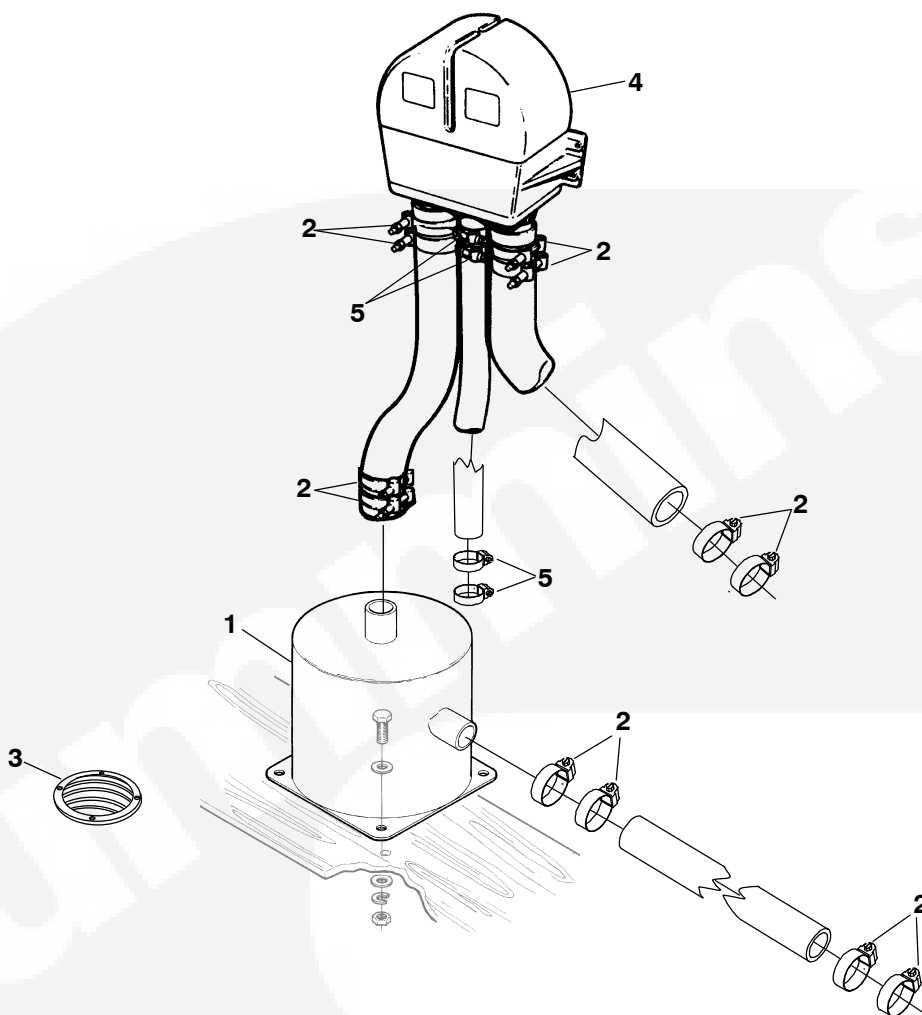
# Muffler



REF NO.	PART NO.	QTY USED	PART DESCRIPTION
1	155-2355-04	1	Tube, Flexible Exhaust (2")
2	155-2063-09	1	Muffler, Dry Exhaust (Up) (2")
	155-2063-09	1	Industrial
	155-2064-09	1	Critical



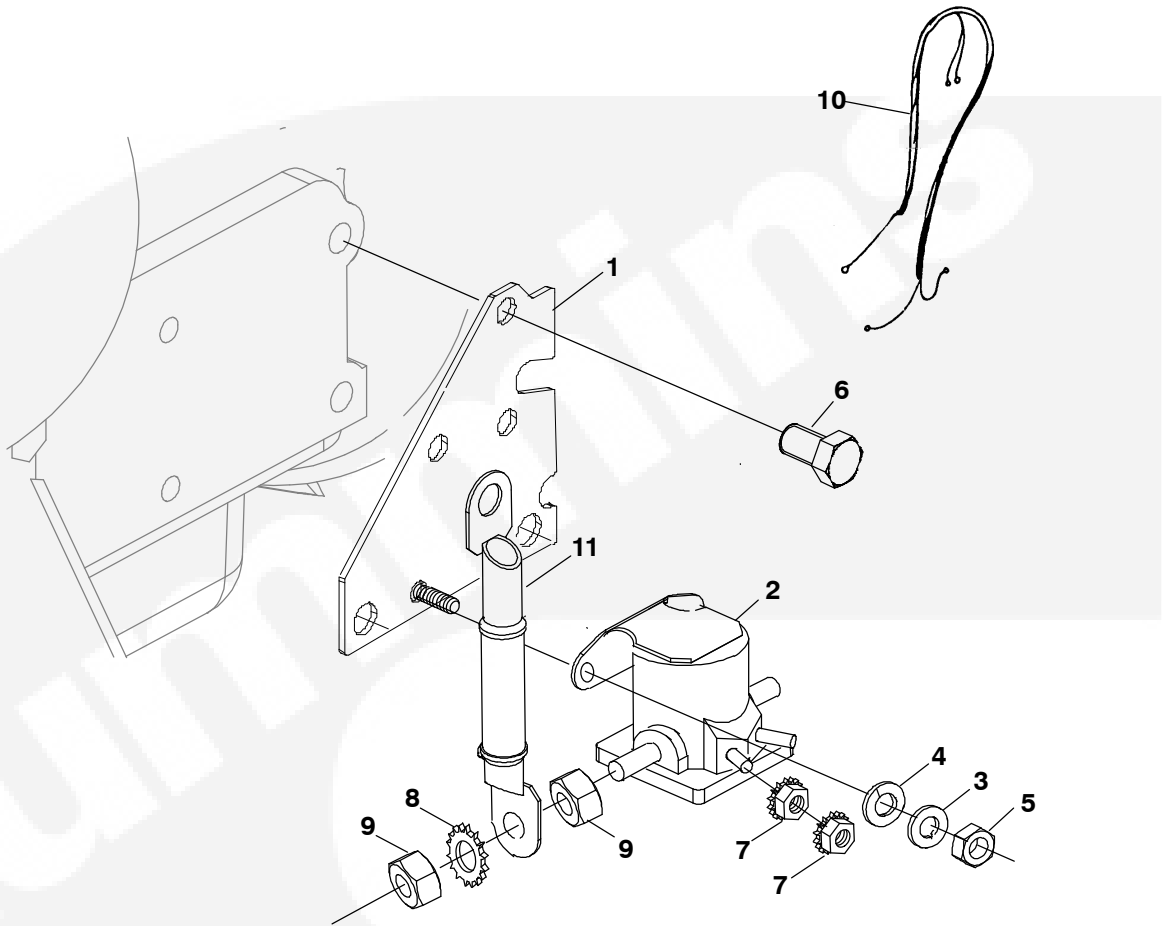
## Water Separator, Muffler



REF NO.	PART NO.	QTY USED	PART DESCRIPTION	REF NO.	PART NO.	QTY USED	PART DESCRIPTION
			Kit, Muffler, Separator (Includes Parts Marked *)	2			Clamp, Hose (2") 13.5 MDKDP
	155-3217	1	13.5 MDKDP				
	155-3223	1	17 MDKDP, 17.5 and 21.5 MDKDR, 19 MDKDV	503-1133	8	+	Muffler Kit (2")
				503-1133	4	#	Separator Kit (2")
			Kit, Muffler (Includes Parts Marked +)	503-1142	10	*	Muffler, Separator Kit (2") 17 MDKDP, 17.5 and 21.5 MDKDR, 19 MDKDV
	155-2030	1	13.5 MDKDP				
	155-3222	1	17 MDKDP, 17.5 and 21.5 MDKDR, 19 MDKDV	503-1133	8	+	Muffler Kit (2-1/2")
			Kit, Water Separator (Includes Parts Marked #)	503-1133	4	#	Separator Kit (2")
				503-1142	10	*	Muffler/Separator Kit (2")
	155-3216	1	13.5 MDKDP	3	155-1002	1	*+ Strainer, Water Pickup
	155-3224	1	17 MDKDP, 17.5 and 21.5 MDKDR, 19 MDKDV	4			*#Separator
			*+Muffler, Marine	155-3216	1		(2") 13.5 MDKDP
	155-2029	1	13.5 MDKDP	155-3221	1		(2-1/2") 17 MDKDP, 17.5 and 21.5 MDKDR, 19 MDKDV
1	155-3220	1	17 MDKDP, 17.5 and 21.5 MDKDR, 19 MDKDV	5	503-1139	4	*#Clamp, Hose (1-1/2")

\* - Parts Included in Muffler/Separator Kit.  
 + - Parts Included in Muffler Kit.  
 # - Parts Included in Water Separator Kit.

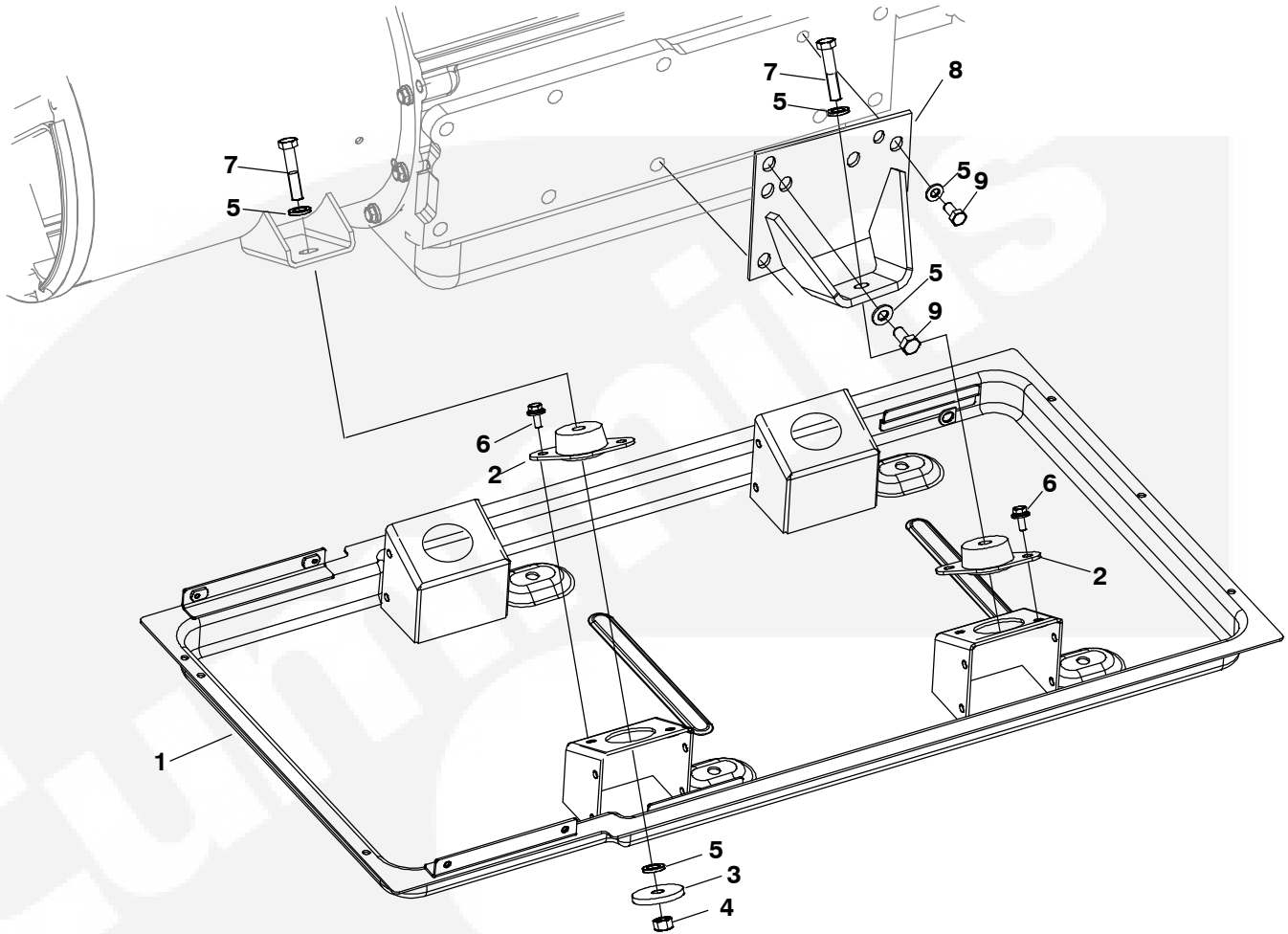
## Isolated Ground



REF NO.	PART NO.	QTY. USED	PART DESCRIPTION	REF NO.	PART NO.	QTY. USED	PART DESCRIPTION
			Kit Isolated Ground (Includes Screws, Sending Units and Harness)	6	800-3031	3	Screw, Hex Head Cap (M12 x 1.25 x 20)
	541-0823	1	12V	7	870-0131	2	Nut, ET Hex (#10-32) (12V)
	541-0824	1	24V	8	853-0016	2	Washer, ET Lock (5/16")
1	333-0732-02	1	Bracket, Solenoid	9	862-0026-30	2	Nut, Hex (5/16-24)
2			*Relay, Solenoid	10	338-4200-01	1	Harness, Isolated Ground
	307-1617	1	12V	11	338-4200-02	1	Harness, Ground
	307-2656	1	24V				
3	526-0399-58	2	Washer, Flat (M6)				
4	850-0114-53	2	Washer, Split Lock (M6)				
5	862-0026-54	2	Nut, Hex (M6)				

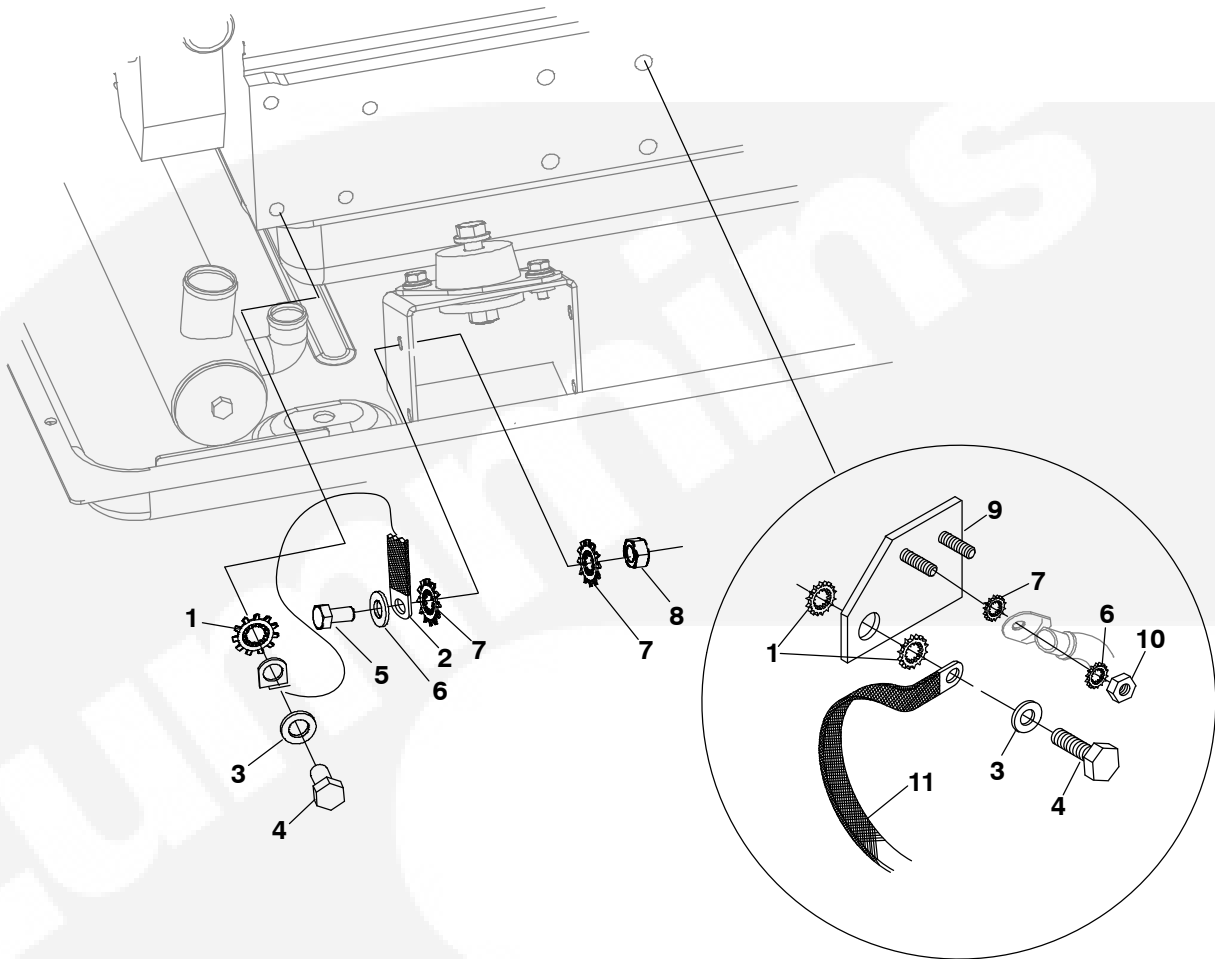
\* - Relay Solenoid ties to B- and K9-1 Isolated Ground  
Harness (338-4200-01)

## Mounting Base



REF NO.	PART NO.	QTY USED	PART DESCRIPTION	REF NO.	PART NO.	QTY USED	PART DESCRIPTION
1	403-4581-02	1	Base, Generator Mounting	6	821-6003-02	8	Screw, Hex Head Cap (M8 x .25 x 20mm)
2	403-3573	4	Isolator, Mounting W/O PTO	7	800-2118	4	Screw, Hex Head Cap (M12 x 1.75 x 60mm)
	403-3573	2	With PTO	8	403-6788-02	2	Mount, Engine W/O PTO
	403-3955	2	With PTO	9			Screw, Hex Head Cap (M12 x 1.25 x 20mm)
3	526-0172	4	Washer, Flat (M12)		800-3031	7	without PTO
4	750-1010	4	Nut, Hex Machine (M12 x 1.75mm)		800-3031	1	with PTO
5			Washer, Flat (M12)				
	526-2140	19	Without PTO				
	526-2140	13	With PTO				

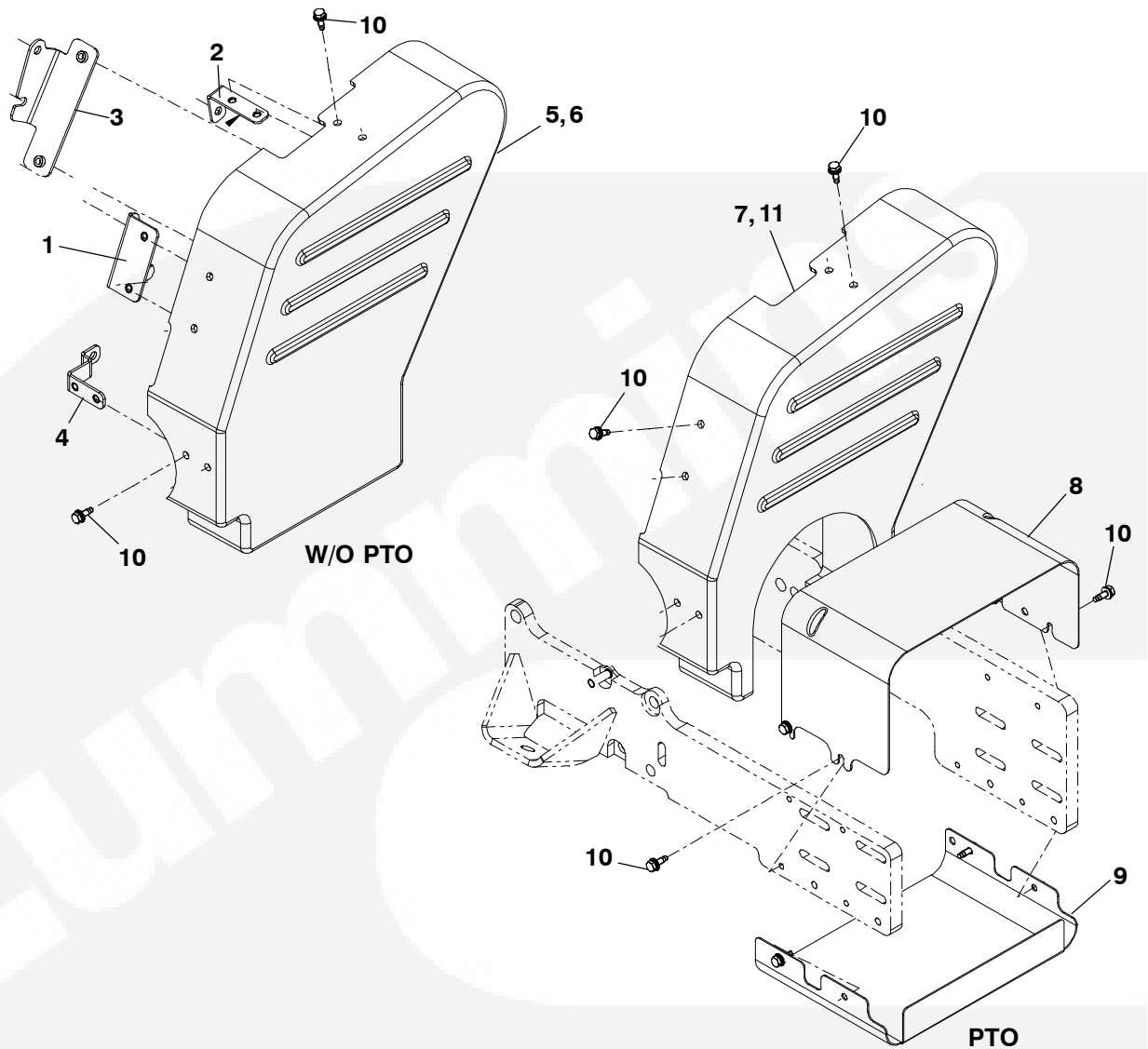
## Grounding System



REF NO.	PART NO.	QTY USED	PART DESCRIPTION
1	856-0013	3	Washer, EIT Lock (1/2")
2	337-2785	1	Strap, Bond
3	526-2140	2	Washer, Flat (M12)
4	800-3032	1	Screw, Hex Head Cap (M12 x 1.25 x 30mm)
5	800-2057	1	Screw, Hex Head Cap (M8 x 1.25 x 20mm)
6	526-2100	2	Washer, Flat (M8)

REF NO.	PART NO.	QTY USED	PART DESCRIPTION
7	856-0008	2	Washer, EIT Locking (5/16")
8	750-1006	1	Nut, Hex (M8 x 1.25mm)
9	337-2784-02	1	Bar, Bus
10	871-0025	1	Nut, Hex Brass (5/16-18")
11	337-0090-02	1	Strap, Electrical

## Belt Guard and PTO Belt Guard

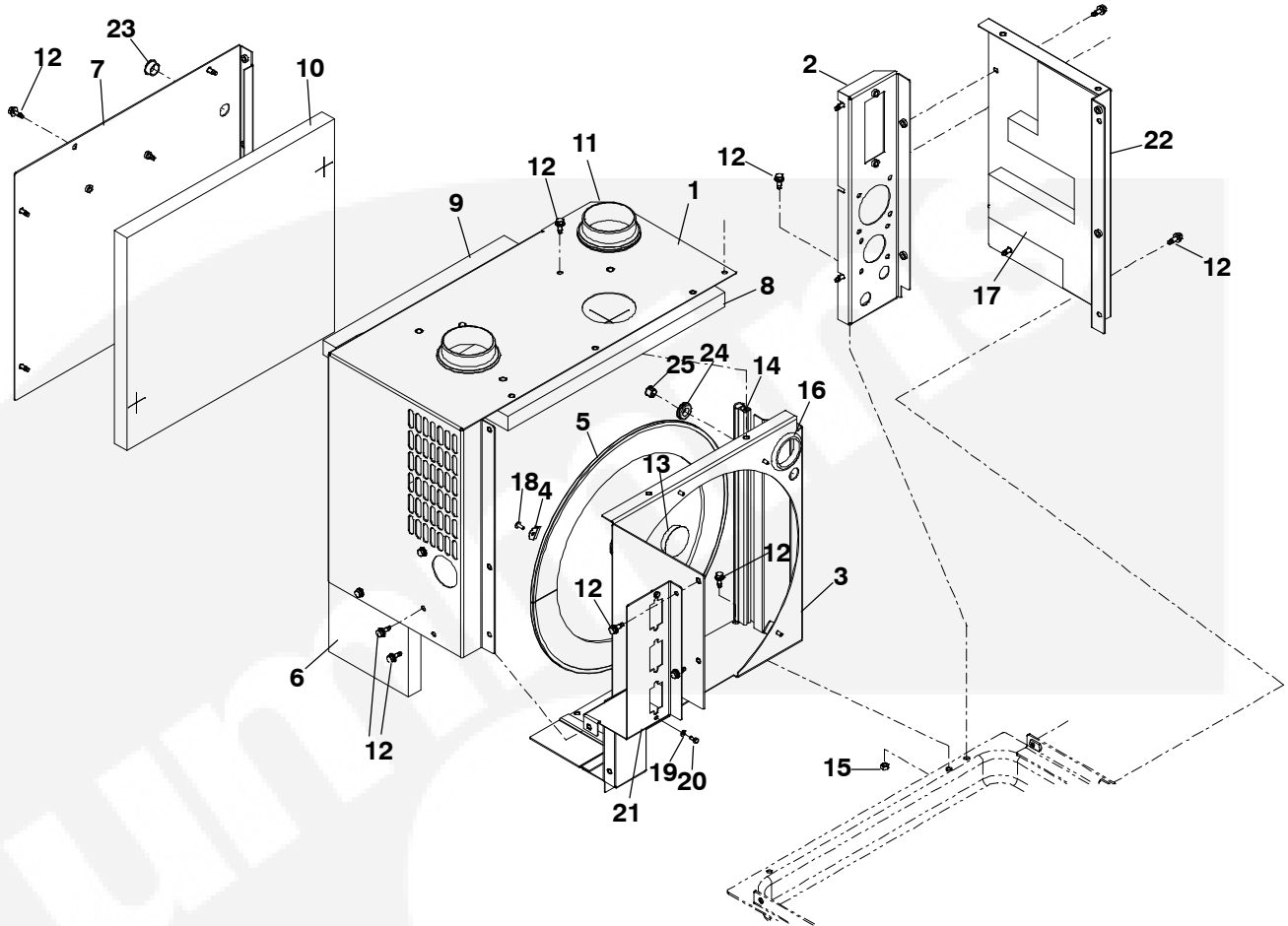


REF NO.	PART NO.	QTY USED	PART DESCRIPTION	REF NO.	PART NO.	QTY USED	PART DESCRIPTION
1	A029N447	1	Bracket, Fan Guard	10			Screw, Hex Head (M6 x 1.0 x 16mm)
2	A029U252	1	Bracket, Guard		800-6395-01	8	W/O PTO
3	A029U256	1	Bracket, Fan Guard		800-6395-01	16	W PTO
4	A029U260	1	Bracket, Fan Guard	11	A030P528	1	Guard, Belt Iso Gnd W PTO
5	A030P511	1	Guard, Belt (Neg Gnd W/O PTO)				
6	A030P526	1	Guard, Belt (ISO Gnd W/O PTO)				
7	A030P519	1	Guard, Belt (Neg Gnd PTO)				
8	130-5469-03	1	Coupling, Guard (PTO)				
9	130-5470-03	1	Coupling, Guard (PTO)				

All Parts are for Unhoused Units Only  
 \* - Parts Included in Negative Gnd Belt Guard Kit  
 + - Parts Included in ISO Gnd Belt Guard Kit  
 ~ - Parts Included in PTO Belt Guard Kit



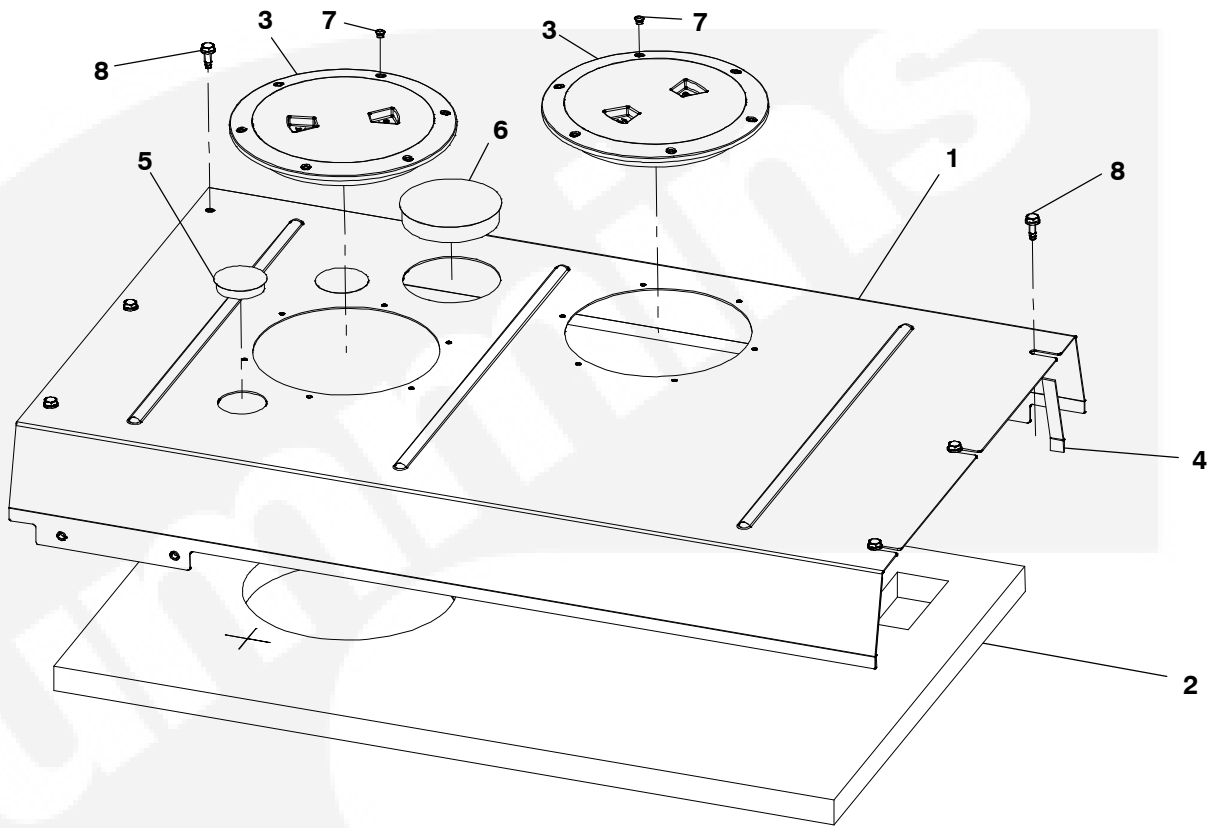
## Generator Housing



REF NO.	PART NO.	QTY USED	PART DESCRIPTION	REF NO.	PART NO.	QTY USED	PART DESCRIPTION
1			Panel, Housing	13	517-0138-07	1	Plug, Hole
	404-0018-03	1	Single Phase	14	895-0402	1	Seal, Weather (1.23')
	404-0023-03	1	Three Phase	15	860-2057	2	Nut, Hex (M6 x 1.0mm)
2	404-0019-03	1	Panel, Housing	16	508-0051	1	Grommet
3	404-0020-03	1	Panel, Air Baffle	17	405-9631	1	Insulation, Panel
4	134-5299-02	5	Bracket, Fan	18	818-0231-02	5	Rivet, Pop
5	509-0368	1	Seal, Brush	19	526-2050	2	Washer, Flat (M4)
6			Insulation, Panel	20	800-3042	2	Screw, Hex Head Cap (M4 x 0.7 x 10mm)
	405-6684	1	Single Phase	21	404-0022-03	1	Panel, Enclosure
	405-7430	1	Three Phase, MDKDV Single	22	404-0024-03	1	Panel, Enclosure
7	404-0021-03	1	Cover, Enclosure (Rear)	23	517-0136	1	Plug, Hole
8	405-9129	1	Insulation, Panel	24	508-0021	1	Grommet
9	405-9079	1	Insulation, Enclosure	25	517-0133	1	Plug, Hole
10	404-0045	1	Insulation, Cover				
11	508-1152	2	Grommet, Rubber				
12	800-6395-01	25	Screw, Hex Head Sems (M6 x 1.0 x 16mm)				



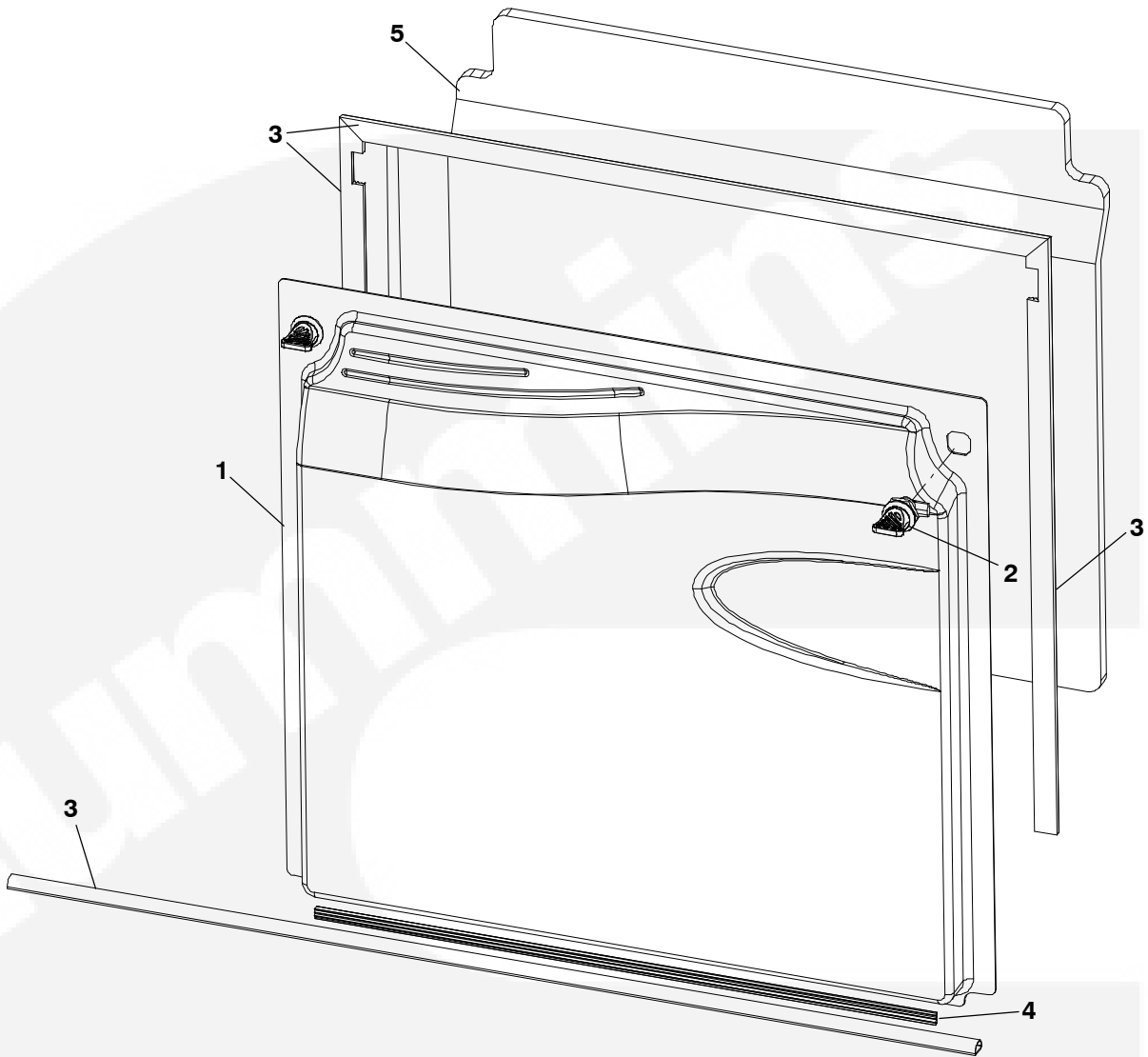
## Engine Sound Shield



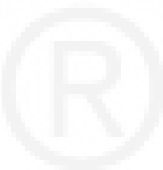
REF NO.	PART NO.	QTY. USED	PART DESCRIPTION	REF NO.	PART NO.	QTY. USED	PART DESCRIPTION
1	A035K157	1	Panel, Roof	5	517-0392-19	2	Plug, Hole
2	A035K169	1	Insulation, Roof	6	A035K171	1	Plug, Hole
3	405-6340	2	Cover, Access	7	A030F177	12	Rivet, Flat Head
4	405-5052	4	Gasket, Baffle	8	A030B088	6	Screw, Hex Head



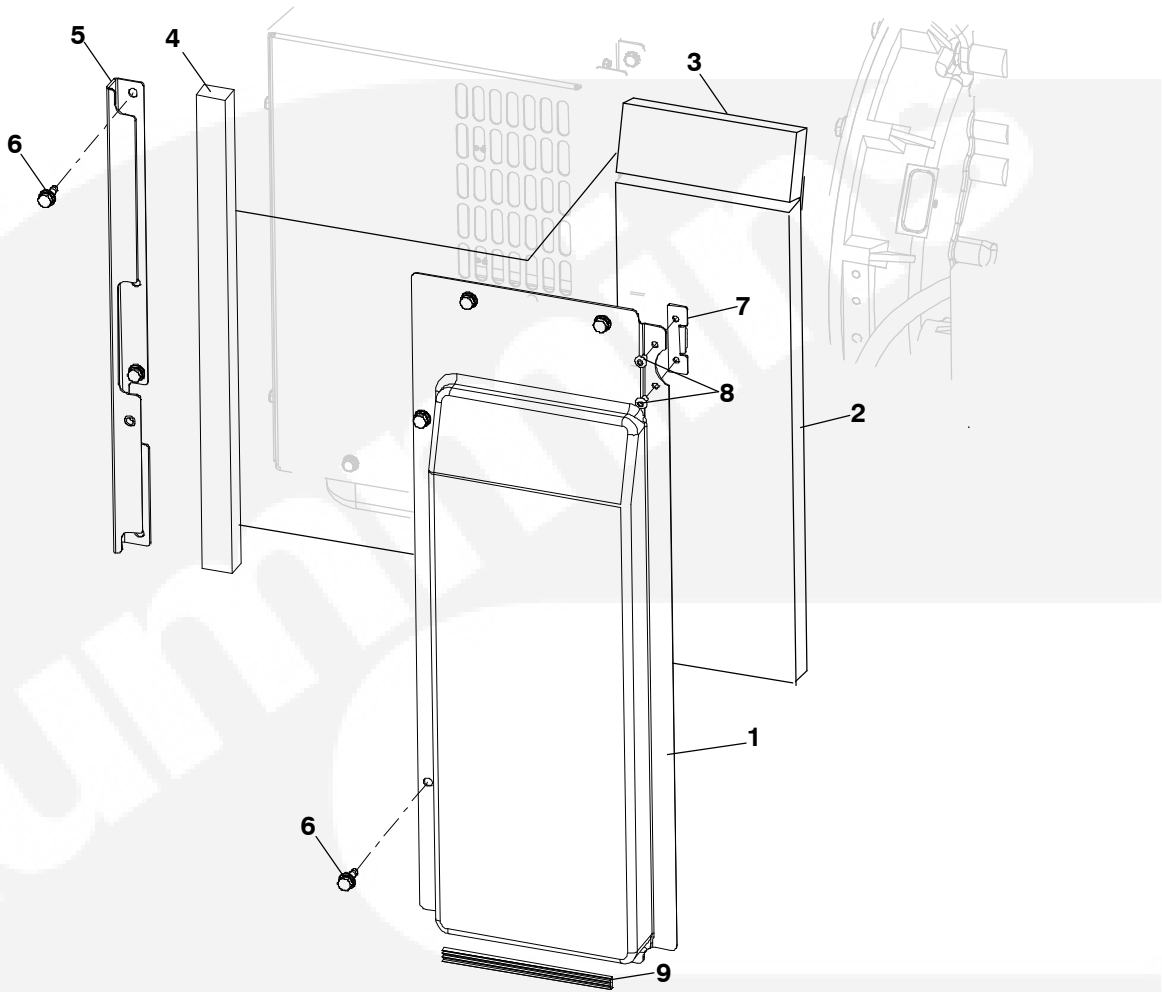
## Engine Sound Shield



REF NO.	PART NO.	QTY. USED	PART DESCRIPTION	REF NO.	PART NO.	QTY. USED	PART DESCRIPTION
1	405-9751-03	1	Door, Access	4	895-0395	AR	Seal, Weather
2	406-0958	2	Latch, Door (Knob)	5	405-9568	1	Insulation, Door
	A030B824	2	(Slotted)				
3	895-0411	AR	Seal, Weather (12.5)				



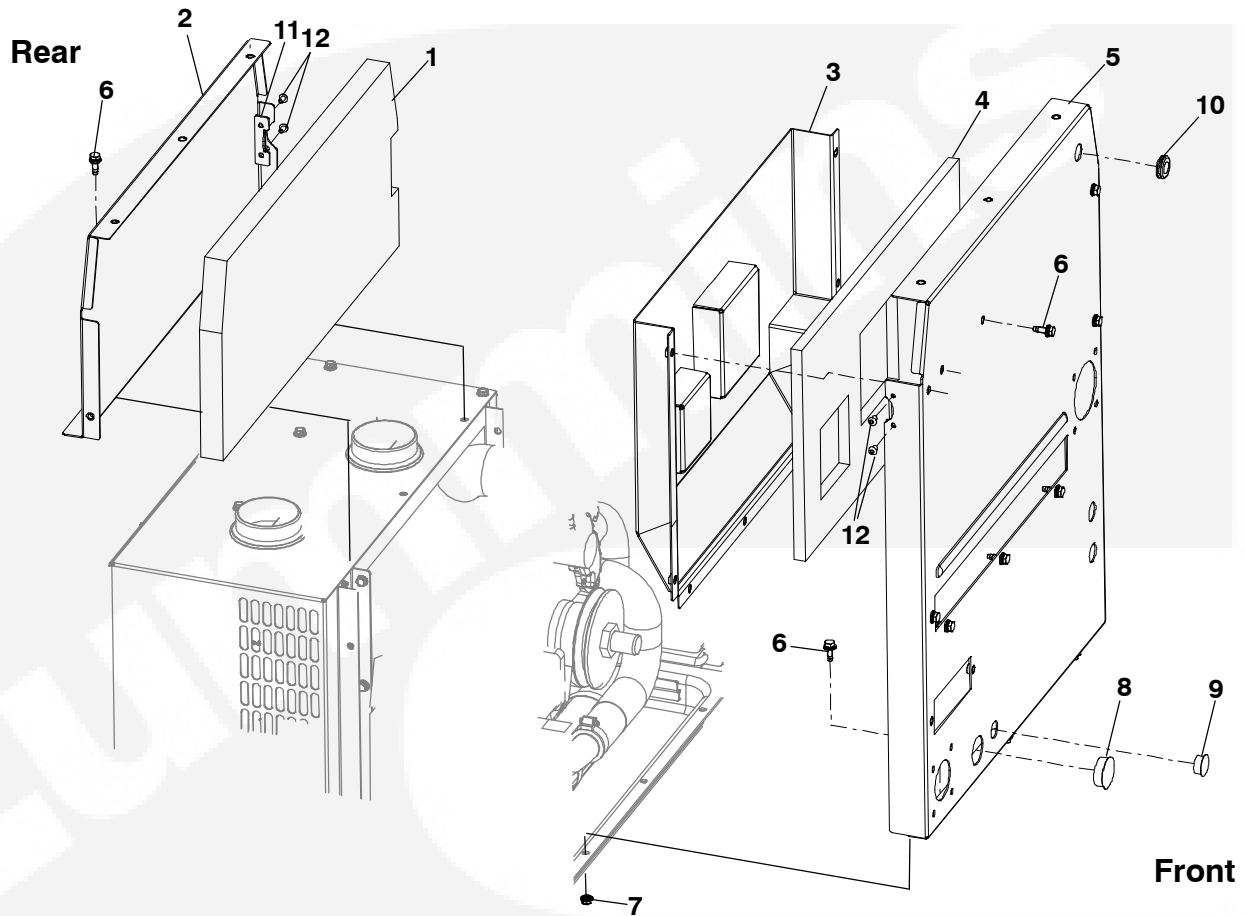
## Engine Sound Shield



REF NO.	PART NO.	QTY. USED	PART DESCRIPTION	REF NO.	PART NO.	QTY. USED	PART DESCRIPTION
1	404-0097-03	1	Panel, Access	7	406-1032	2	Catch, Door
2	405-6995-01	1	Insulation, Sound	8	A030F179	4	Rivet, Flat Head
3	405-6993-01	1	Insulation, Sound	9	895-0395	AR	Seal, Weather
4	405-7347	1	Insulation, Sound	10	850-2056	1	Washer, Lock (Not Shown)
5	404-0098-03	1	Spacer, Panel	11	718-1017	1	Screw, Hex Head (Not Shown)
6	A030B088	6	Screw, Hex Head				



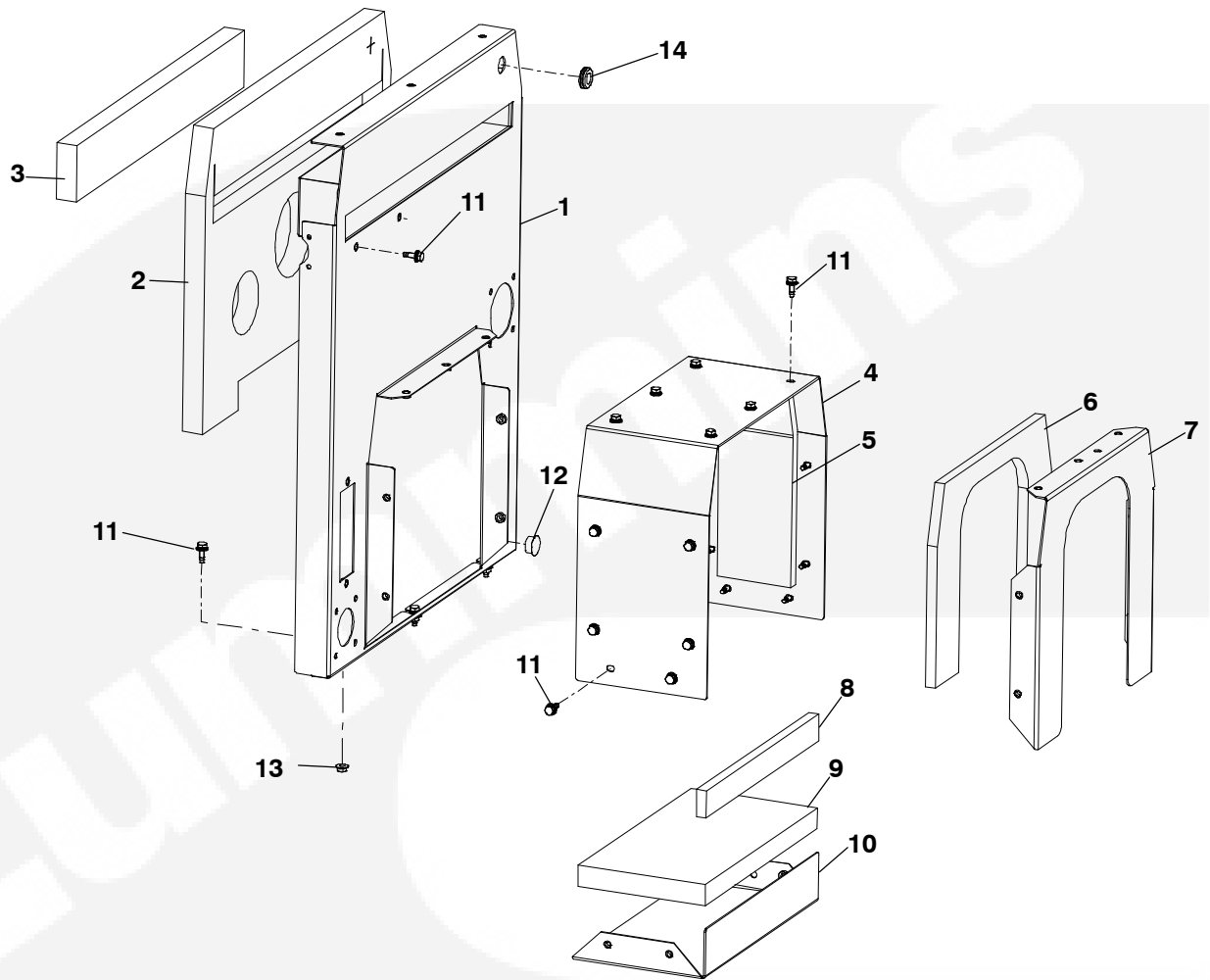
## Engine Sound Shield (Front and Rear with out PTO)



REF NO.	PART NO.	QTY. USED	PART DESCRIPTION	REF NO.	PART NO.	QTY. USED	PART DESCRIPTION
1	405-7179	1	Insulation, Roof End	7	870-2065-02	2	Nut, Lock Flanged (M6)
2	404-0096-03	1	Panel, Roof End	8	517-0138-04	1	Plug, Hole (W/O PTO)
3	404-0573-03	1	Panel, Duct (W/O PTO)	9	517-0136	1	Plug, Hole
4	404-0576	1	Insulation, Duct (W/O PTO)	10	508-0021	1	Grommet
5	404-0039-03	1	Panel, Enclosure (Front W/O PTO)	11	406-1032	2	Catch, Door
6	A030B088	16	Screw, Hex Head	12	A030F179	4	Rivet, Flat Head

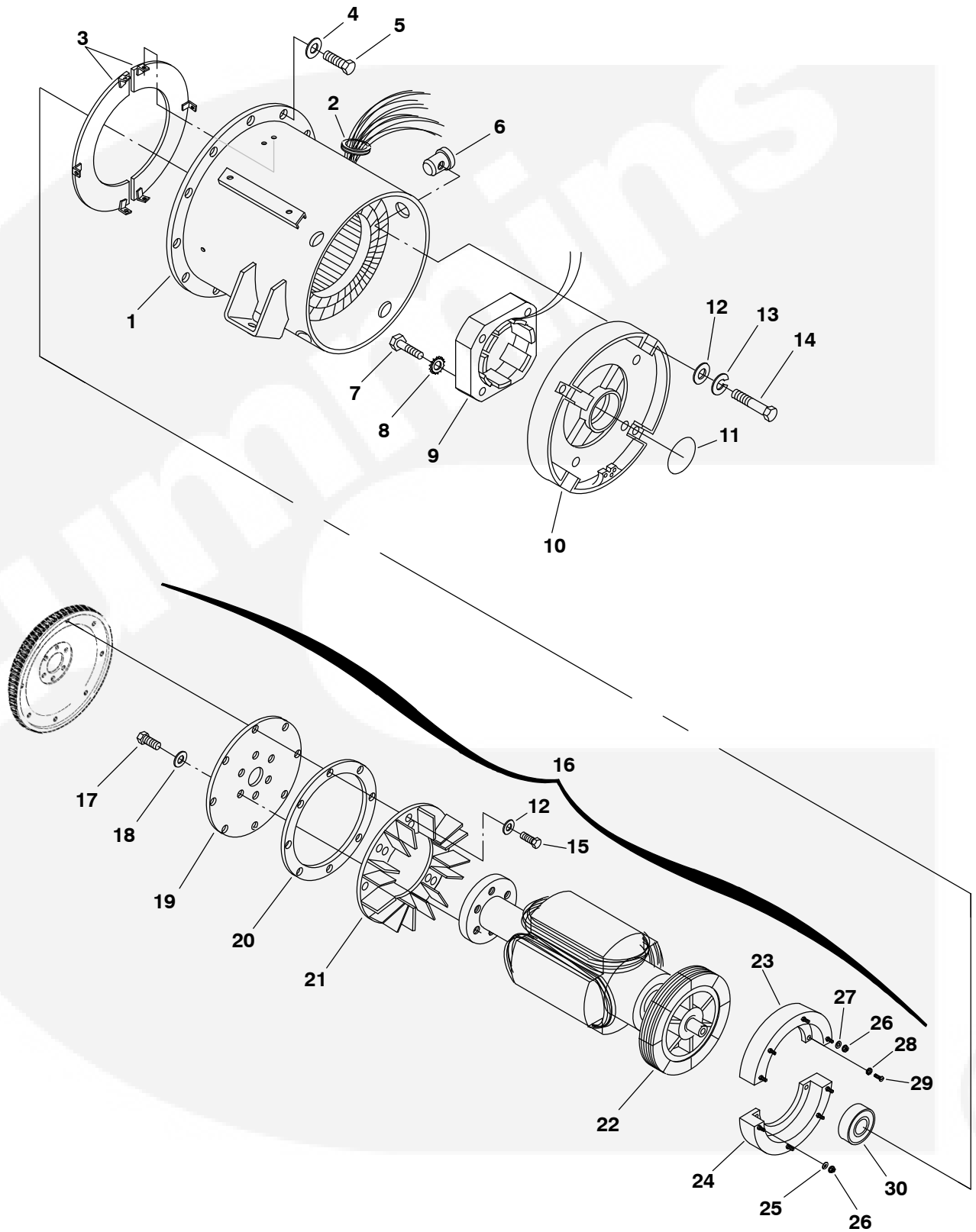


## Engine Sound Shield (Front w/PTO)



REF NO.	PART NO.	QTY. USED	PART DESCRIPTION	REF NO.	PART NO.	QTY. USED	PART DESCRIPTION
1	404-0040-03	1	Panel, Enclosure (Front PTO)	9	405-6819	1	Insulation, Sound (PTO)
2	404-0575	1	Insulation, Panel (PTO)	10	190-0893-03	1	Guard, PTO
3	404-0100	1	Insulation, Enclosure (PTO)	11	A030B088	24	Screw, Hex Head
4	190-0890-03	1	Guard, PTO	12	517-0136	1	Plug, Hole
5	404-0160	1	Insulation, Sound (PTO)	13	870-2065-02	3	Nut, Hex Flanged (M6)
6	404-0161	1	Insulation, Sound (PTO)	14	508-0021	1	Grommet
7	190-0891-03	1	Guard, PTO				
8	404-0159	1	Insulation, Sound (PTO)				

# Generator

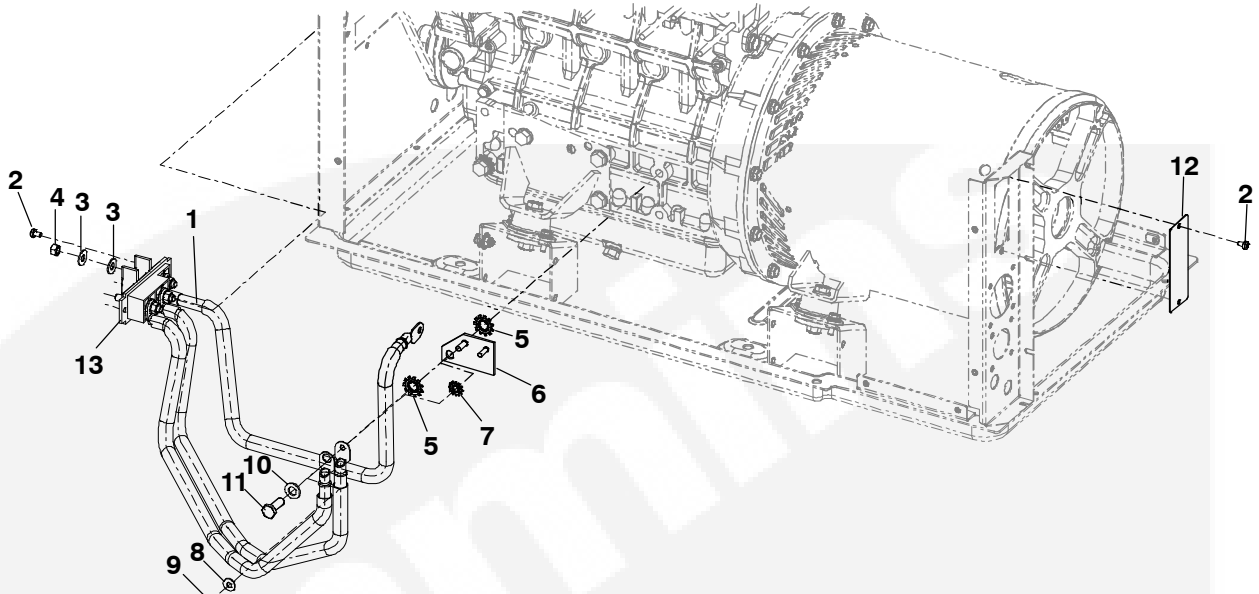


## Generator

REF NO.	PART NO.	QTY USED	PART DESCRIPTION	REF NO.	PART NO.	QTY USED	PART DESCRIPTION
1			Stator, Generator (Includes Grommet) Single Phase				(3/8-16 x 1)
	220-4618-02	1	13.5 and 17 MDKDP	16			Rotor Assy, Generator (Includes Parts Marked *)
	220-4618-04	1	17.5 and 21.5 MDKDR, 19 MDKDV		201-3517-02	1	MDKDP
			Three Phase		201-3517-04	1	MDKDR, MDKDV
	220-4619-02	1	13.5 and 17 MDKDP	17	800-3010-44	6	*Bolt, Hex Head Cap (.50-13 UMC x 1.0")
	220-4619-04	1	17.5 and 21.5 MDKDR, 19 MDKDV	18	526-0399-44	6	*Washer, Flat
2	508-1203	1	Grommet	19	232-3672-03	1	*Disc, Drive
3	234-0935-02	2	Baffle, Air (3 Phase)	20	232-3826-02	1	*Spacer, Fan
4	526-0174	12	Washer, Flat (3/8)	21	205-0229-02	1	*Fan, Generator
5	800-0051	12	Screw, Hex Head Cap (3/8-16 x 1-1/4)	22	201-3515-02	1	*Rotor, Wound (Excitor)
6	232-3706-02	4	Retainer, Endbell	23	358-0069	1	*Rectifier (Positive)
7	815-0935	4	Screw, Hex Head Thread Forming (1/4-20 x 2")	24	358-0070	1	*Rectifier (Negative)
8	853-0013	4	Washer, ET Lock (1/4")	25	526-0008	10	*Washer, Flat (#10)
9	220-4413-02	1	Stator, Wound	26	870-0131	2	*Nut, ET Hex (.190-32)
10	211-0435-01	1	Endbell	27	526-0399-11	2	*Washer, Flat (#10)
11	509-0094	1	Seal, O'Ring	28	853-0008	4	*Washer, ET Lock (.190")
12	526-0399-42	4	Washer, Flat (3/8)	29	813-0100	4	*Screw, Pan Head Machine (.190-32 x .50")
13	850-0114-06	4	Washer, Lock (5/16")	30	510-0112	1	*Bearing, Ball
14	800-0310-27	4	Screw, Hex Head Cap (5/16"-18 x 2-1/2")				
15	800-0310-36	8	Screw, Hex Head Cap				

\* - Parts Included in Generator Rotor Assy.

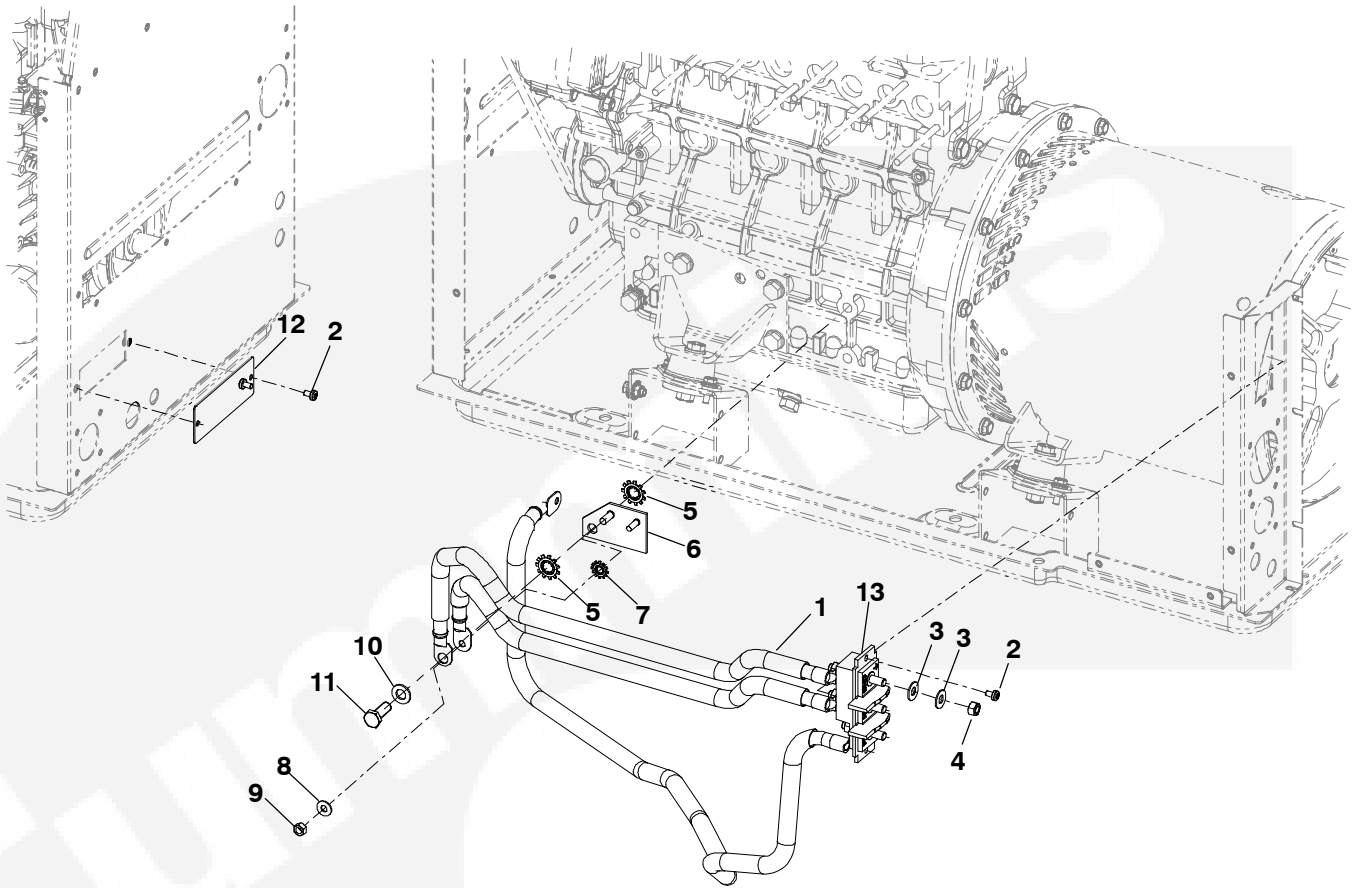
## Battery Harness Front



REF NO.	PART NO.	QTY. USED	PART DESCRIPTION	REF NO.	PART NO.	QTY. USED	PART DESCRIPTION
1	338-4623-02	1	Harness, Battery	9	871-0025	1	Nut, HB Full (5/16-18)
2	823-1002-03	4	Screw, Pan Head Torx (M6 x 1.0 x 10mm)	10	526-2140	1	Washer, Flat (M12)
3	526-0029	6	Washer, Flat (1/2")	11	800-3032	1	Screw, Hex HEad Cap (M12 x 1.25 x 30mm)
4	862-0003	3	Nut, Hex (3/8-16UNC)	12	405-9764-02	1	Cover, Access
5	856-0013	2	Washer, ETIT Locking (1/2")	13	332-3865-03	1	Block, Terminal
6	337-2784-02	1	Assy Bus, Bar				
7	856-0008	1	Washer, ETIT Locking (Neg GND 5/16")				
8	526-0054	1	Washer, Flat Neg GND(8.33ID x 19.05OD)				

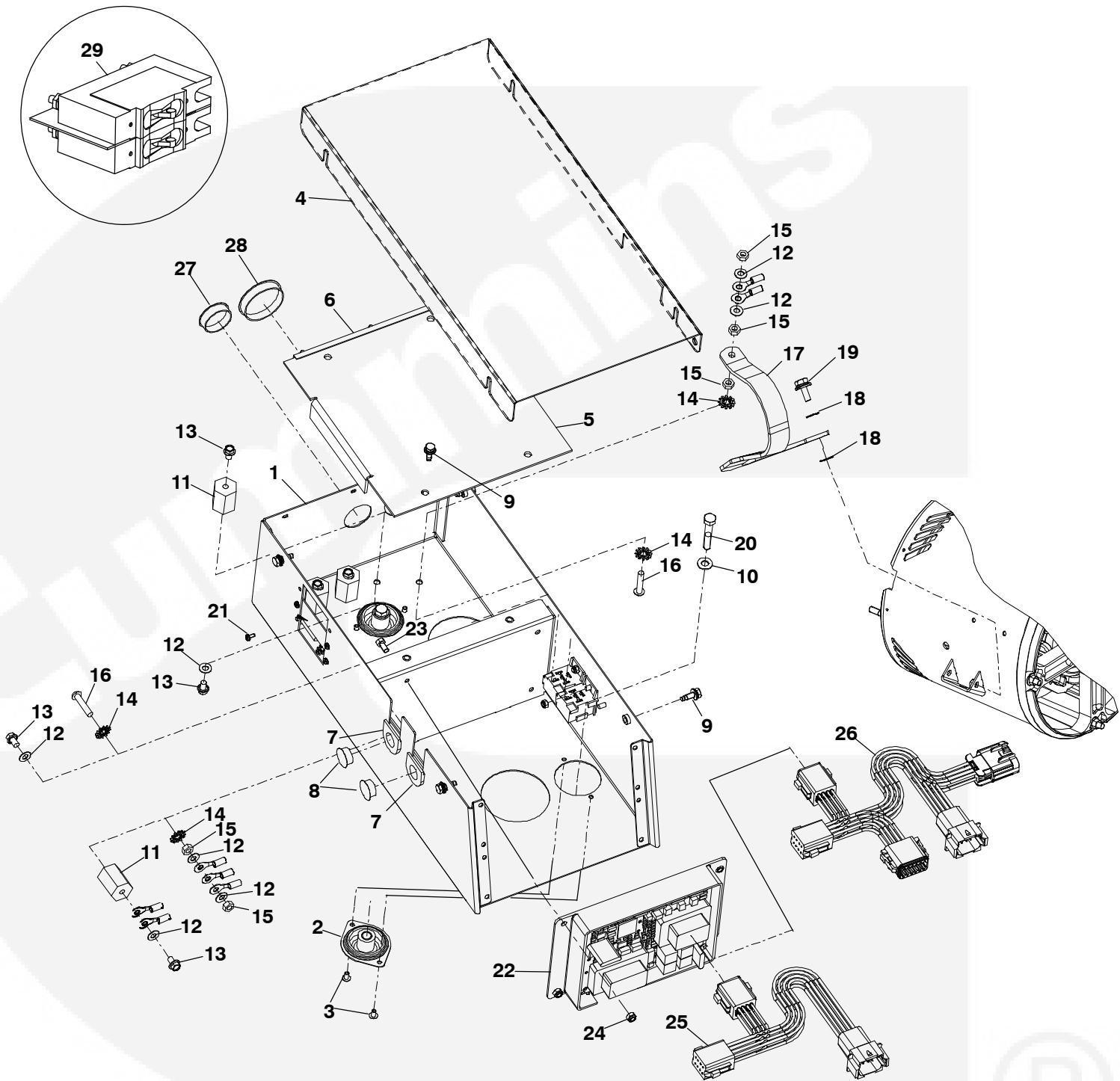


## Battery Harness Rear



REF NO.	PART NO.	QTY. USED	PART DESCRIPTION	REF NO.	PART NO.	QTY. USED	PART DESCRIPTION
1	338-4623-02	1	Harness, Battery	9	871-0025	1	Nut, HB Full (5/16-18)
2	823-1002-03	4	Screw, Pan Head Torx (M6 x 1.0 x 10mm)	10	526-2140	1	Washer, Flat (M12)
3	526-0029	6	Washer, Flat (1/2")	11	800-3032	1	Screw, Hex HEad Cap (M12 x 1.25 x 30mm)
4	862-0003	3	Nut, Hex (3/8-16UNC)	12	405-9764-02	1	Cover, Access
5	856-0013	2	Washer, ETIT Locking (1/2")	13	332-3865-03	1	Block, Terminal
6	337-2784-02	1	Assy Bus, Bar				
7	856-0008	1	Washer, ETIT Locking (Neg GND 5/16")				
8	526-0054	1	Washer, Flat Neg GND(8.33ID x 19.05OD)				

# Control Box

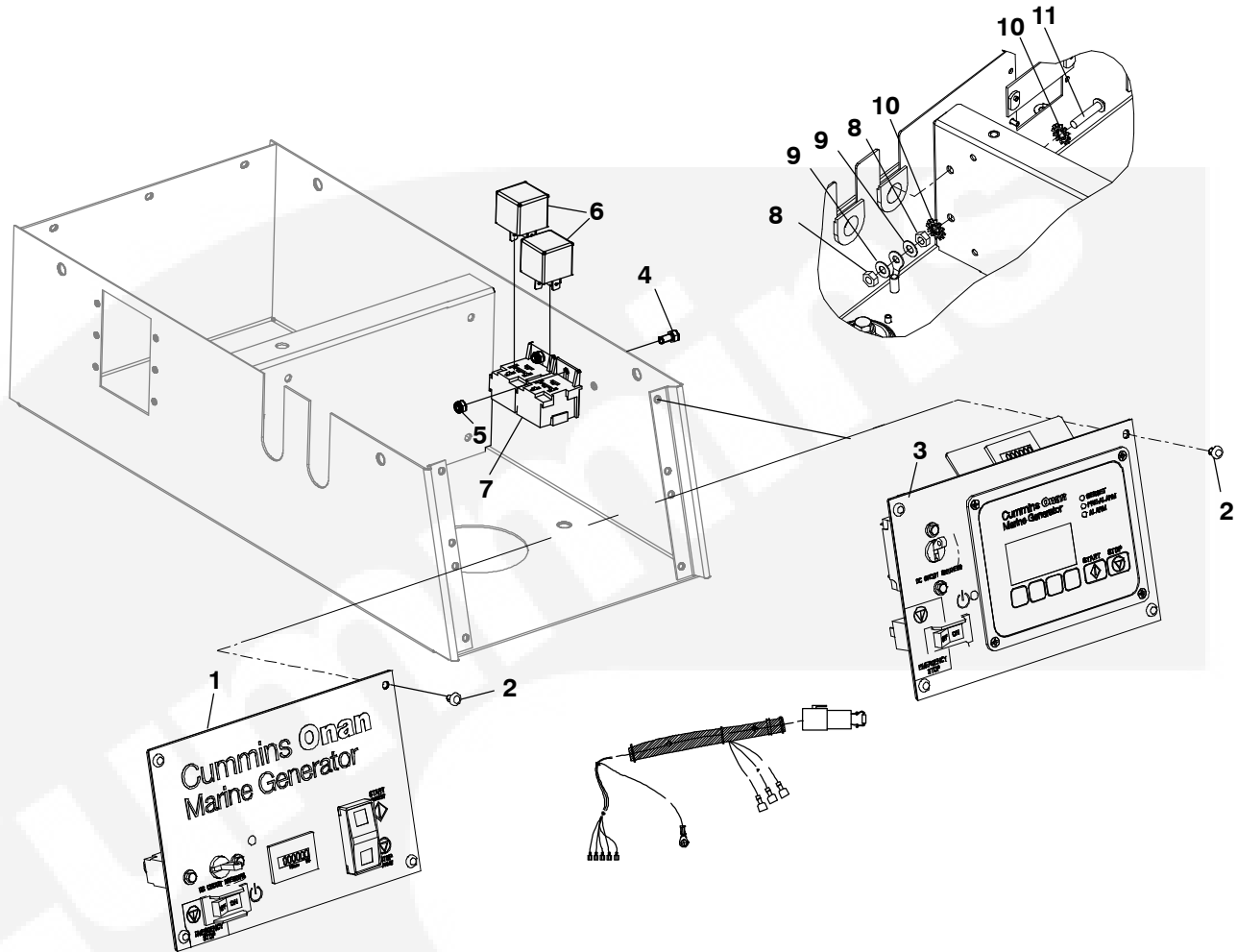


## Control Box

REF NO.	PART NO.	QTY. USED	PART DESCRIPTION	REF NO.	PART NO.	QTY. USED	PART DESCRIPTION
1	319-6227-03	1	Control, Box	20	800-6062	3	Screw, Hex Head Cap (M8 x 1.25 x 45mm)
2	402-0681-01	3	Isolator, Vibration				
3	818-0231-01	6	Rivet, Pop	21			Screw, XREC Phillips (#6-23 x .312")
4	319-6228-03	1	Cover, Box Control		815-0550-03	4	Neg GND 1 Phase 12 &24V ISO GND 1 Phase 12 &24V
5	319-4404	1	Cover		815-0550-03	6	Neg GND 3 Phase 12 &24V ISO GND 3 Phase 12 &24V
6	332-3750	1	Guide, Card				PCB
7	508-1105	2	Grommet, Remote	22			NIM/SmartCraft
8	517-0136	2	Plug, Hole		327-1686-02	1	NIM/SmartCraft 2
9	800-6395-01	6	Screw, Hex Head Sems (M6 1.0 x 16mm)		327-1686-03	1	
10	526-2100	3	Washer, Flat (M8)	23	800-6002	4	Screw, Hex Head (M5 x 0.8 x 10mm)
11			Standoff, Insulator				(NIM/J1939/ Smartcraft1&2)
	332-2370	2	Neg GND 1 Phase 12 & 24V	24	870-2062	1	Nut, Nylon Locking SmartCraft 2(M5)
	332-2370	3	Neg GND 3 Phase 12 & 24V				
			ISO GND 1 Phase 12 & 24V	25	338-4491	1	Harness, Accessory (J1939 / SmartCraft)
	332-2370	4	ISO GND 3 Phase 12 & 24V	26	338-4982	1	Harness, Accessory (SmartCraft 2)
12			Washer, Flat (6.75ID x 14.30D x .8mm)	27	517-0138-05	1	Plug, Hole
	526-0052	6	Neg GND 1 Phase 12 & 24V	28	517-0138-08	1	Plug, Hole
	526-0052	7	Neg GND 3 Phase 12 & 24V	29			Breaker, Circuit MDKDP
	526-0052	8	ISO GND 1 Phase 12 & 24V		320-1689-04	1	30Amps
	526-0052	9	ISO GND 3 Phase 12 & 24V		320-1689-05	1	35Amps
13			Screw, Locking Head (1/4-20UNC x 14.30D x .8)		320-1689-12	1	55Amps
	821-0009	4	Neg GND 1 Phase 12 & 24V		320-1689-06	1	40Amps
	821-0009	6	Neg GND 3 Phase 12 & 24V ISO GND 1 Phase 12 & 24V		320-1689-07	1	45Amps
	821-0009	8	ISO GND 3 Phase 12 & 24V		320-1689-08	1	50Amps
14	856-0006	4	Washer, ETIT Locking (1/4")		320-1689-09	1	55Amps
15	871-0016	5	Nut, Hex (1/4-20")		320-1689-12	1	70Amps
16	810-0155	2	Screw, Round Head (1/4-20UNC x 1.25")				
17	337-2795	1	Strap, Bond				
18	853-0016	2	Washer, ET Locking (5/16")				
19	821-6003-01	1	Screw, Hex Head Sems (M8 x 1.25 x 16mm)				

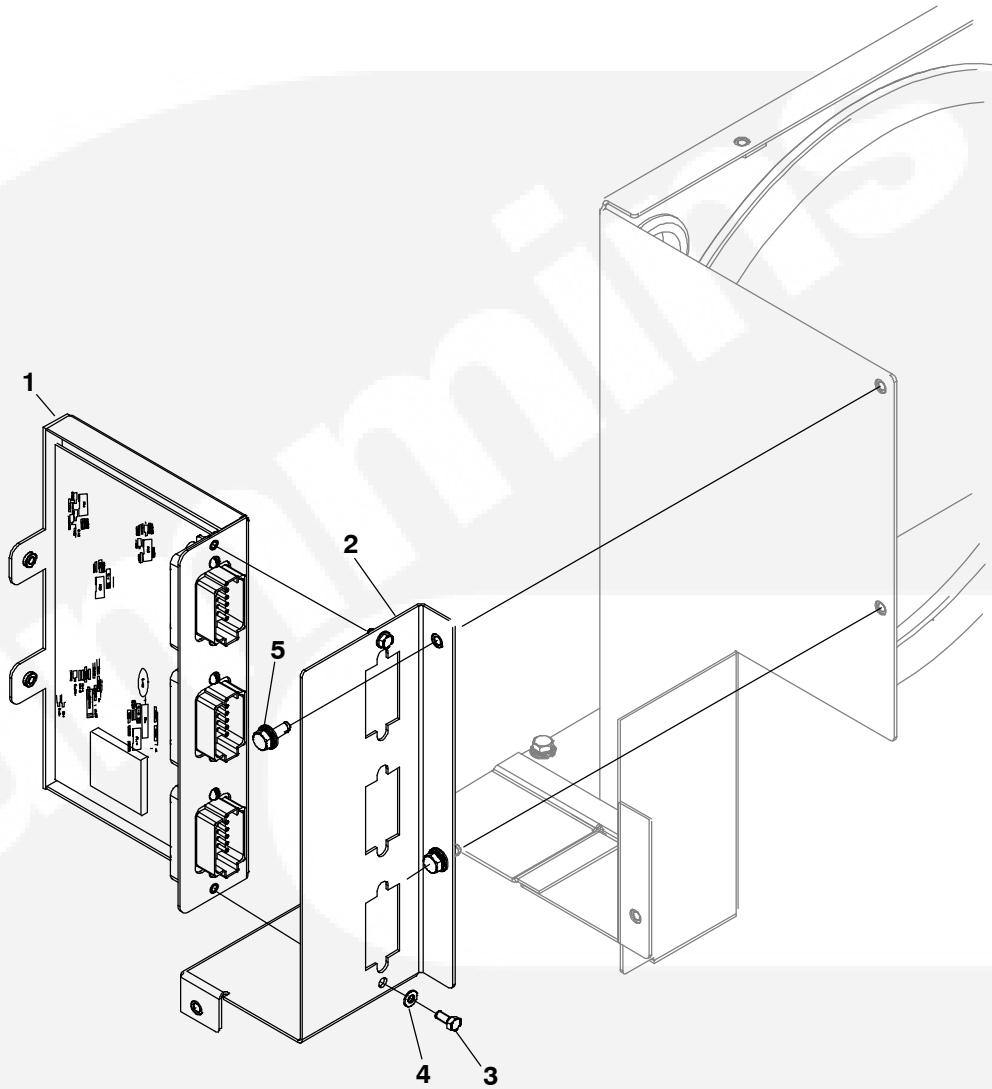
SmartCraft is a trademark of the Brunswick Corporation.

## Control Panel Components



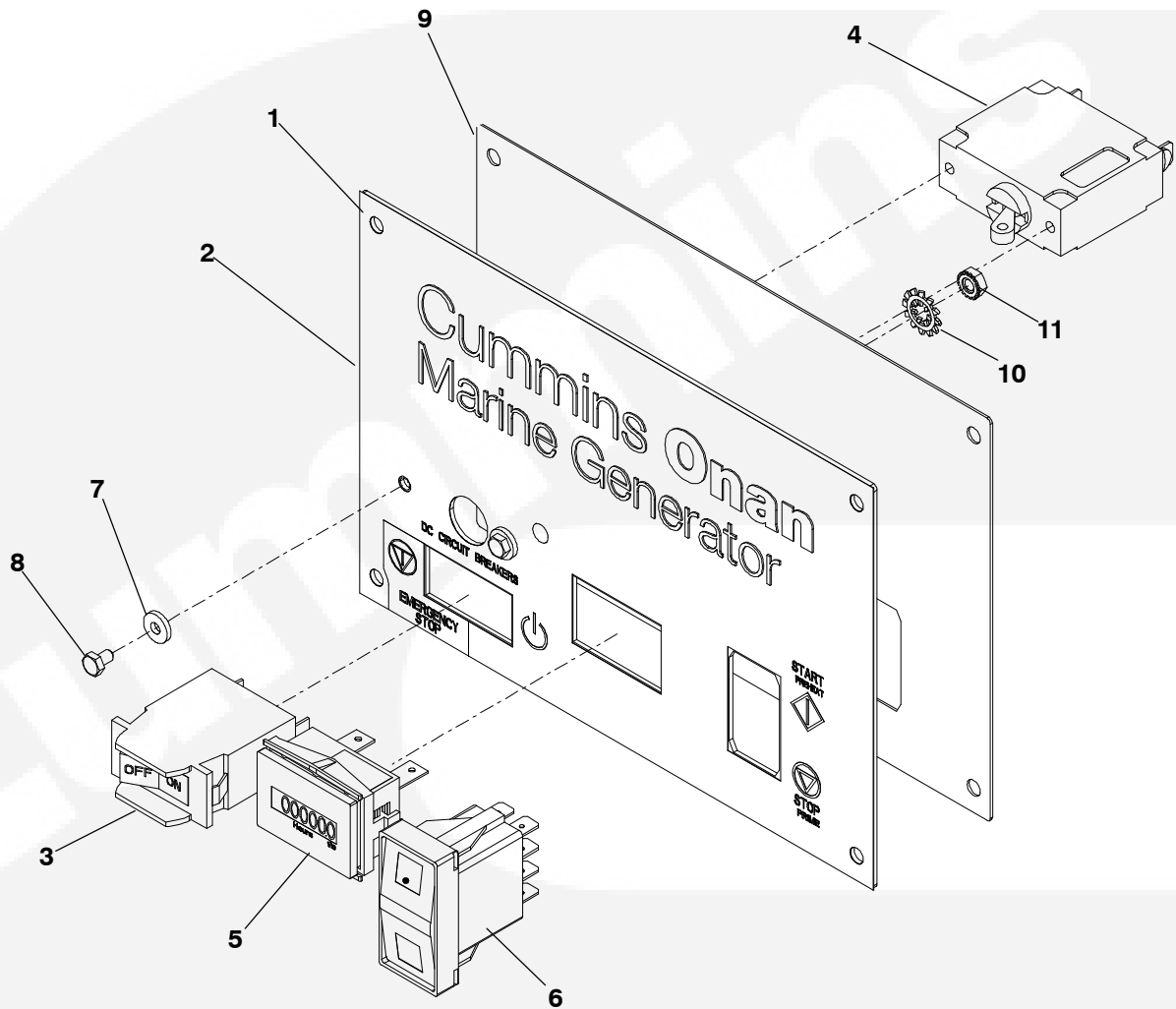
REF NO.	PART NO.	QTY. USED	PART DESCRIPTION	REF NO.	PART NO.	QTY. USED	PART DESCRIPTION
1			Assy, Engine Panel (See Control Panel for Parts)	6			Relays
	300-6362-03	1	12V		307-2767	2	12V
	300-6362-04	1	24V		307-2819	2	24V
2	818-1150-03	8	Rivet, Drive Plastic (Std)	7	323-1563	2	Contact, Relay
3	300-6363-01	1	Assy, Control	8	871-0016	5	Nut, Hex (.25-20UNC)
4	800-6002	2	Screw, Hex Head Cap (M5 x .8 x 10mm)	9	526-0052	1	Washer, Flat (6.75 x14.3)
5	870-2062	2	Nut, Nylon Lock (M5)	10	856-0006	2	Washer Etit Locking (1/4")
				11	810-0155	2	Screw, Round Head (.25-20UNC 1.25")

## PCB Mounting



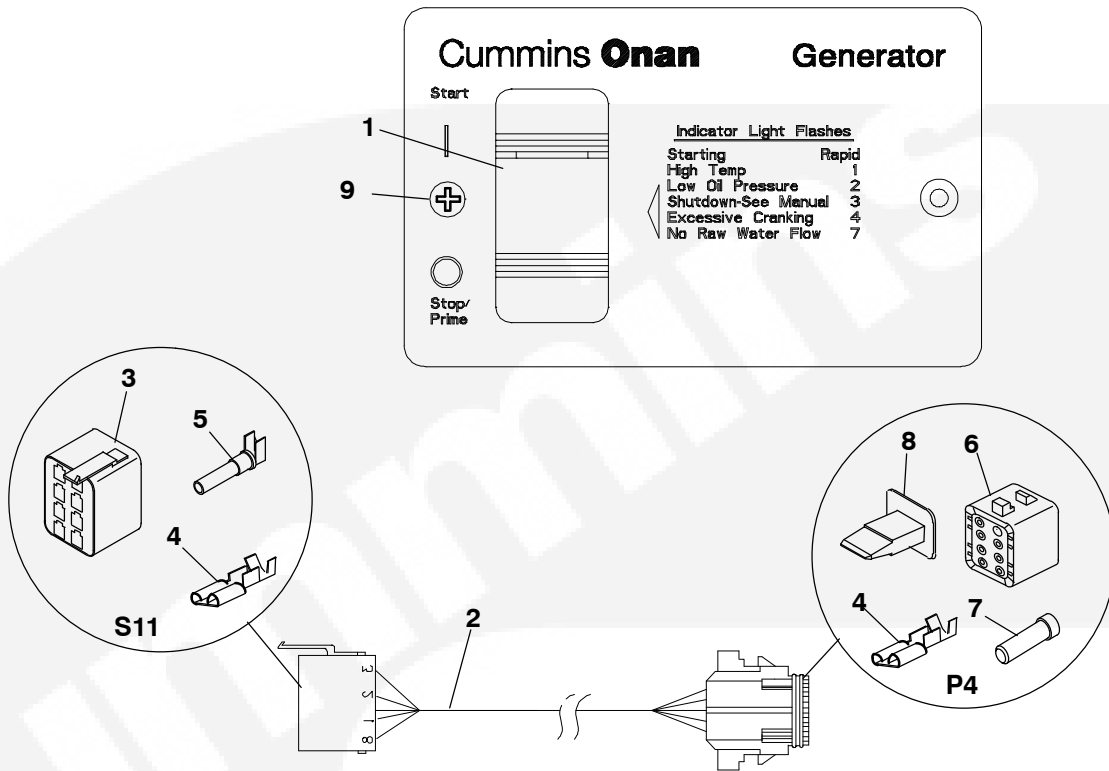
REF NO.	PART NO.	QTY. USED	PART DESCRIPTION	REF NO.	PART NO.	QTY. USED	PART DESCRIPTION
1	300-6396	1	PCB, Control	4	526-2050	2	Washer, Flat (M4)
2	404-0022-03	1	Panel, UMC Mounting	5	800-6395-01	2	Screw, Hex Head Sems Stainless (M6 x 1 x 16mm)
3	800-3042	2	Screw, Hex (M4)				

## Control Panel Components (Breaker Switch)



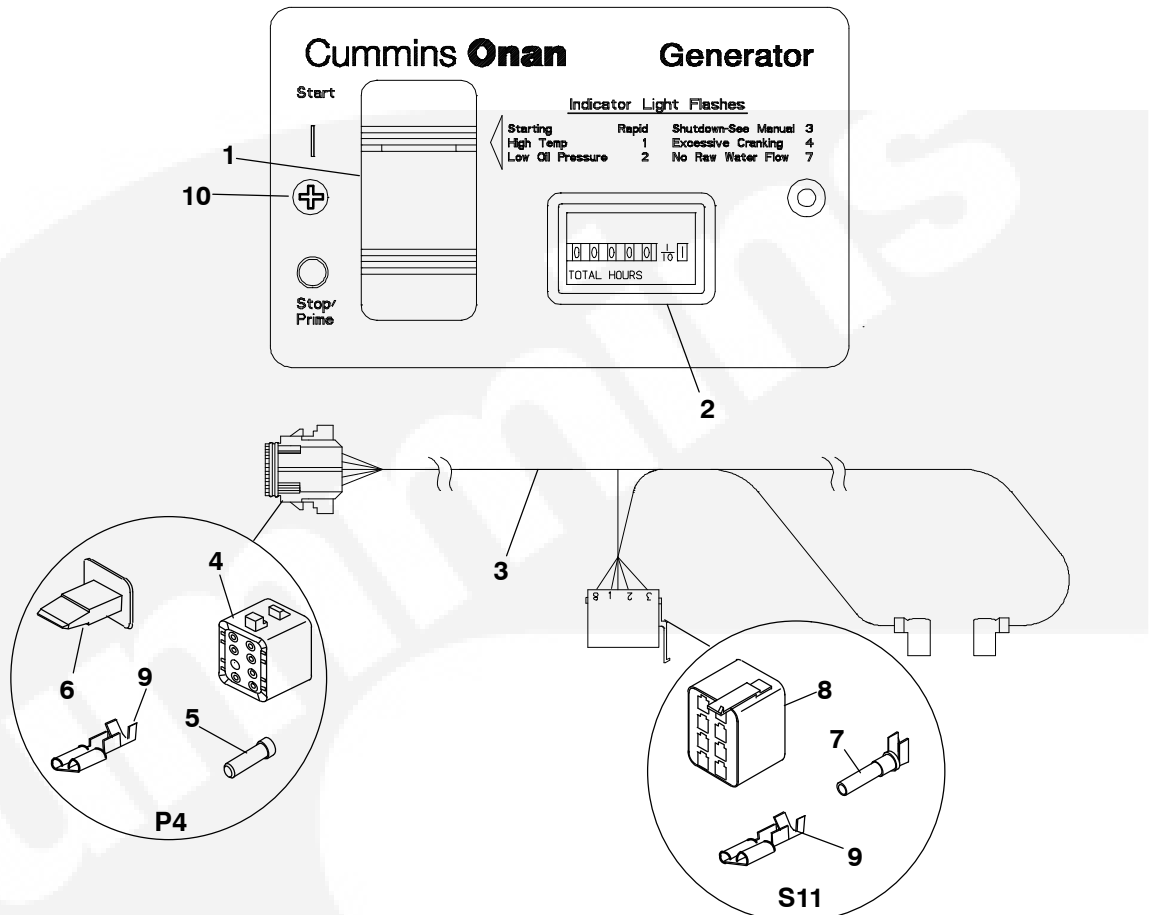
REF NO.	PART NO.	QTY. USED	PART DESCRIPTION	REF NO.	PART NO.	QTY. USED	PART DESCRIPTION
			Assy, Engine Panel (All Parts Included)	6			Breaker Circuit
	300-6362-03	1	12V		308-1218	1	12V
	300-6362-04	1	24V		308-1219	1	24V
1	319-6871-02	1	Panel, Control	7	526-1002	2	Washer, Flat DAC
2	98-8713	1	Label, Information (Control)	8	800-0309-10	2	Screw, Hex Head Mach (6-32 x 1/4")
3	320-2361	1	Breaker Circuit	9	319-6873	1	Panel, Control Box
4	320-2362	1	Breaker Circuit	10	856-0003	1	Washer, EIT Lock (#10)
5	302-2048	1	Meter, Hour	11	870-0131	1	Nut, Sems EIT (#10-32)

## Remote Switch Panel



REF NO.	PART NO.	QTY. USED	PART DESCRIPTION	REF NO.	PART NO.	QTY. USED	PART DESCRIPTION
			Kit, Remote Switch Harness (Includes Parts Marked +)	3	308-1019	1	*Connector, Switch (S11)
	541-0941-01	1	12V	4	332-2890	6	*Terminal, Receptacle (.25")
	541-0941-02	1	24V	5	323-1492	6	*Terminal, Socket
			Kit, Panel Remote (Includes Parts Marked #)	6	323-1541	1	*Plug, (8 Pin)
	300-5725-01	1	12V	7	323-1491	3	*Plug, Seal
	300-5725-02	1	24V	8	323-1543	1	*Wedge, Plug (8 Pin)
1			#+ Switch, Rocker (S11)	9	815-0910	2	#Screw, Wood (#6 x 1)
	308-1101	1	12V	10	98-8092	1	+Label, Instructions (Not Shown)
	308-1102	1	24V	11	98-8081	1	#+Label, Warning (Not Shown)
2			#+ Harness, Remote Panel (Includes Parts Marked *)				- Parts Included in Remote Panel.
	541-0941-01	1	12V				+ - Parts Included in Remote Switch Harness. Instructions included in Kits only
	541-0941-02	1	24V				

## Remote Switch/Hourmeter Panel



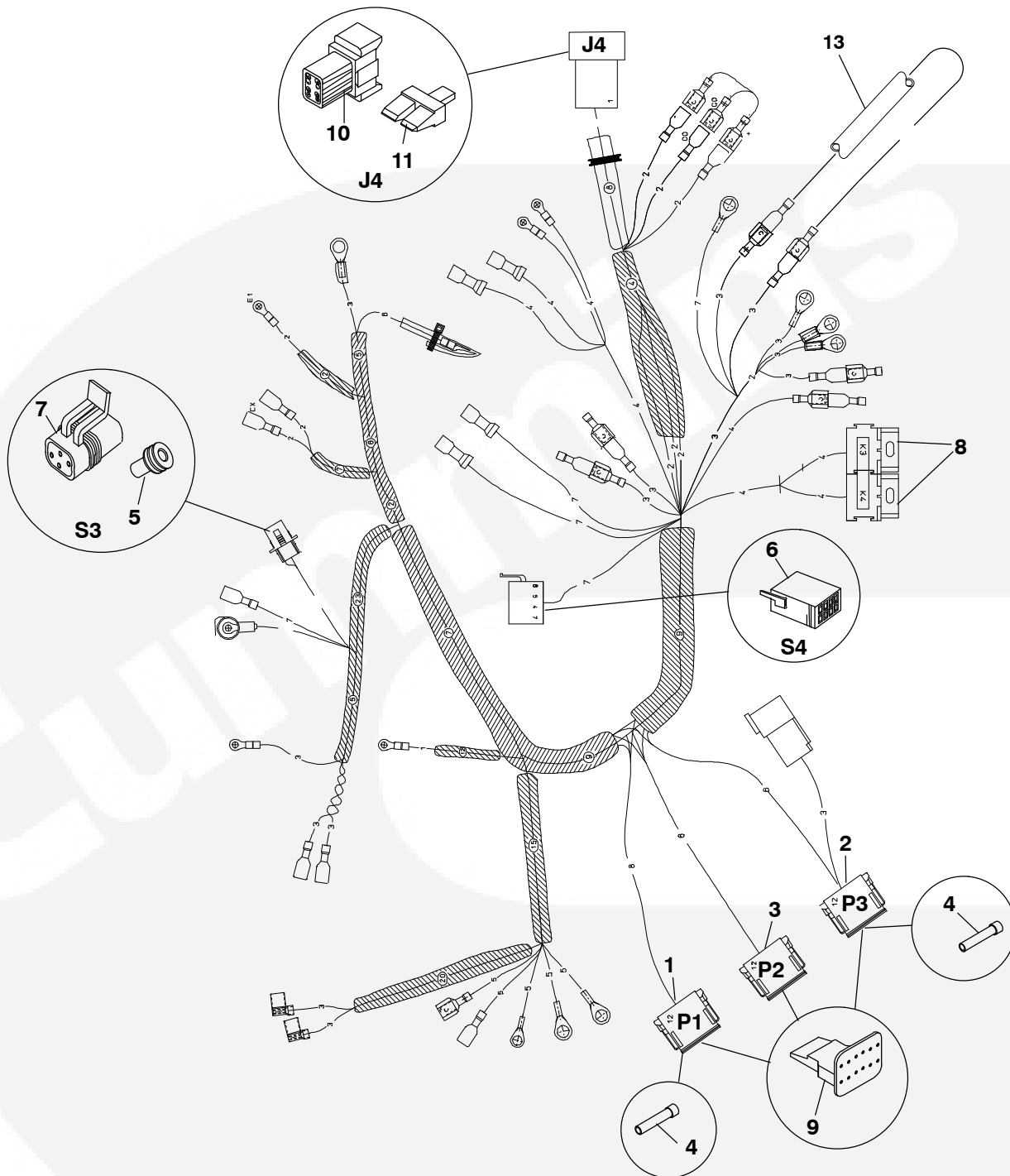
REF NO.	PART NO.	QTY USED	PART DESCRIPTION
			Kit, Remote Panel
	300-5727-01	1	12V
	300-5727-02	1	24V
1	308-1101	1	Switch, Rocker (S11)
	308-1102	1	12V
	308-1102	1	24V
2	302-2002	1	Meter, Hour (M11)
3	338-3990	1	Harness, Remote Panel (Includes Parts Marked *)
4	323-1541	1	*Plug (8 Pin) (P4)

REF NO.	PART NO.	QTY USED	PART DESCRIPTION
5	323-1591	2	*Plug, Seal
6	323-1543	1	*Wedge, Plug (8 Pin)
7	323-1492	6	*Pin, Contact
8	308-1019	1	*Connector, Switch (S11)
9	332-2890	6	*Terminal, Receptacle (.25")
10	815-0910	2	Screw, Wood (#6 x 1)
11	98-8081	1	Label, Panel (Not Shown)

\* - Parts Included in Remote Panel Wiring Harness.

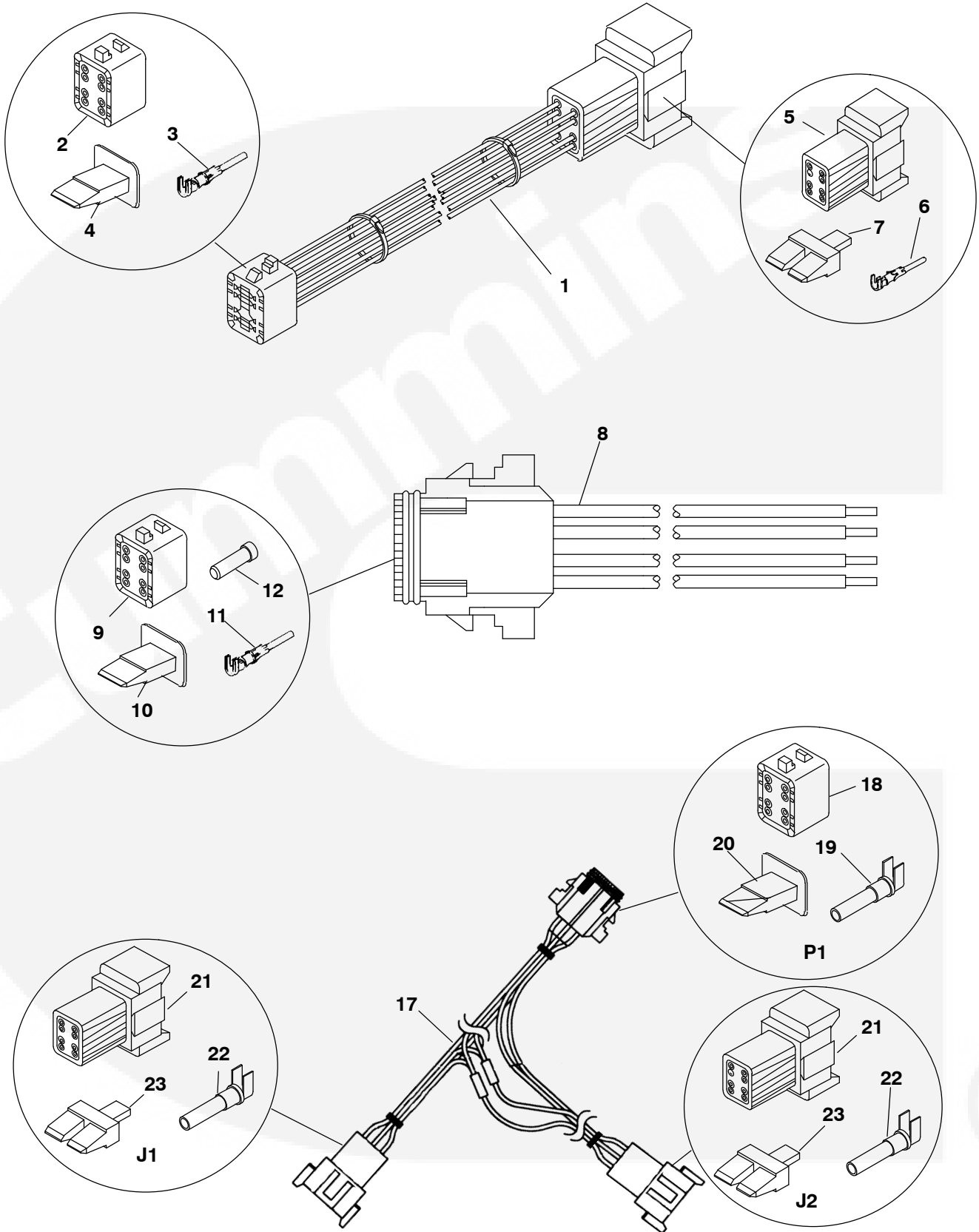


## Control Harness

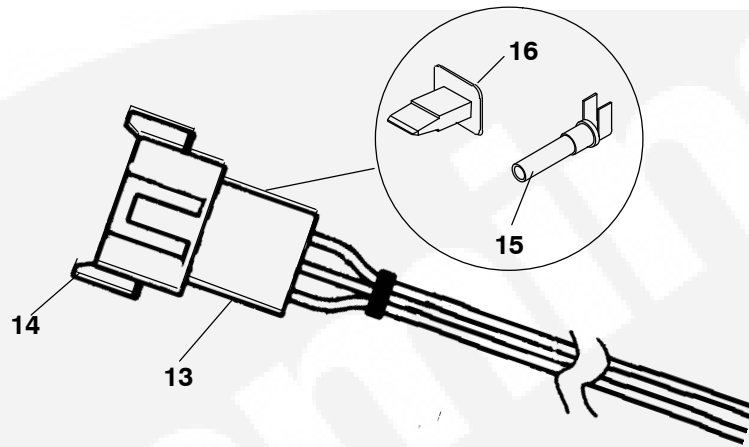


REF NO.	PART NO.	QTY. USED	PART DESCRIPTION	REF NO.	PART NO.	QTY. USED	PART DESCRIPTION
	338-5174	1	Harness, Control	8	323-1563	1	Socket, Relay
1	323-1582-06	1	Plug (12 Pin, Black P1)	9	323-1583	3	Plug, Wedge 12 Pin, P1, P2, P3
2	323-1582-05	1	Plug (12 Pin, Gray P3)	10	323-1542	2	Connector, Receptacle 8 Pin (J4, J8)
3	323-1582-07	1	Plug (12 Pin, Green P2)	11	323-1544	2	Receptacle, Wedge(J4, J8)
4	323-1591	AR	Plug (P1)	12	98-7917	1	Label, Information (Not Shown)
5	323-1708	AR	Seal,Cable(S3)	13	A047S203	1	Sleeve (Optional), 17 MDKDP and 21.5 MDKDR
6	308-1019	1	Switch, Connector (S4)				
7	323-1765	1	Connector, Housing 4 Pin (S3)				

# Wiring Harnesses



## Wiring Harnesses

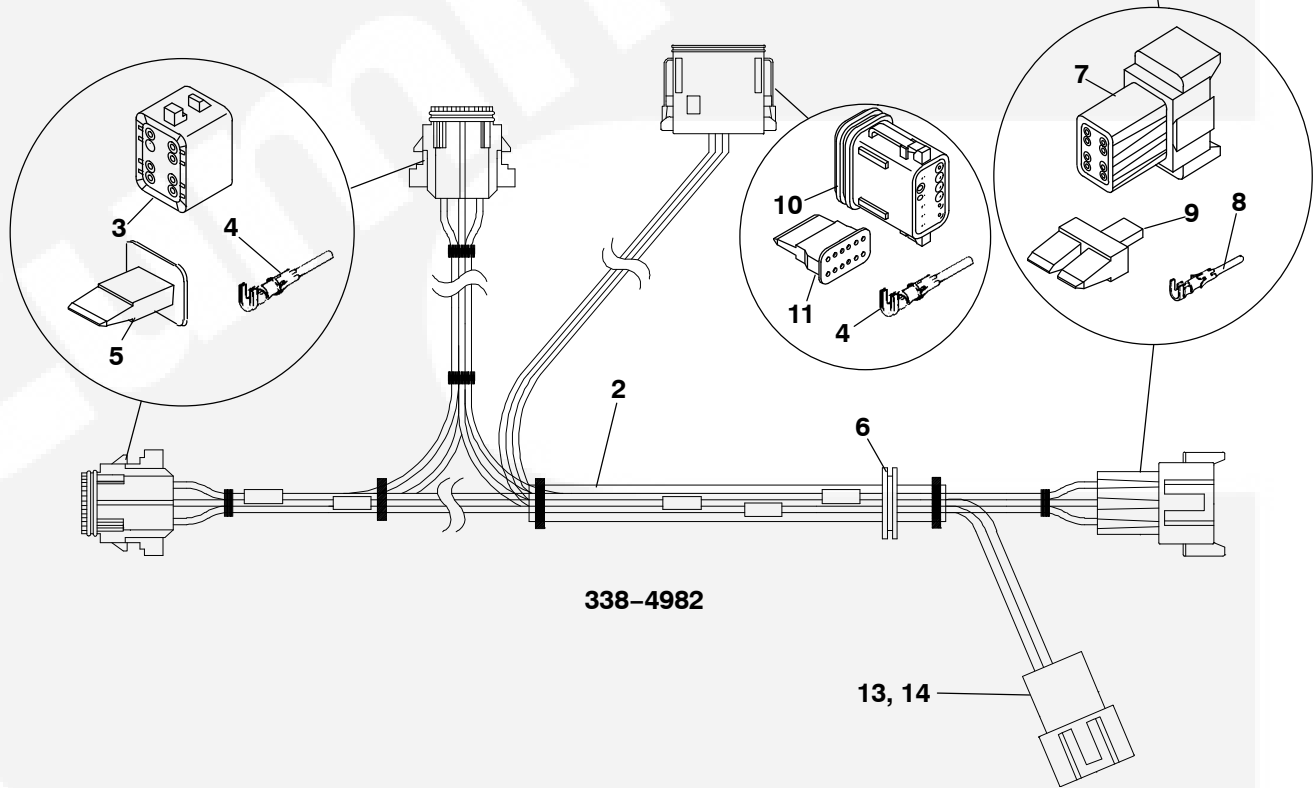
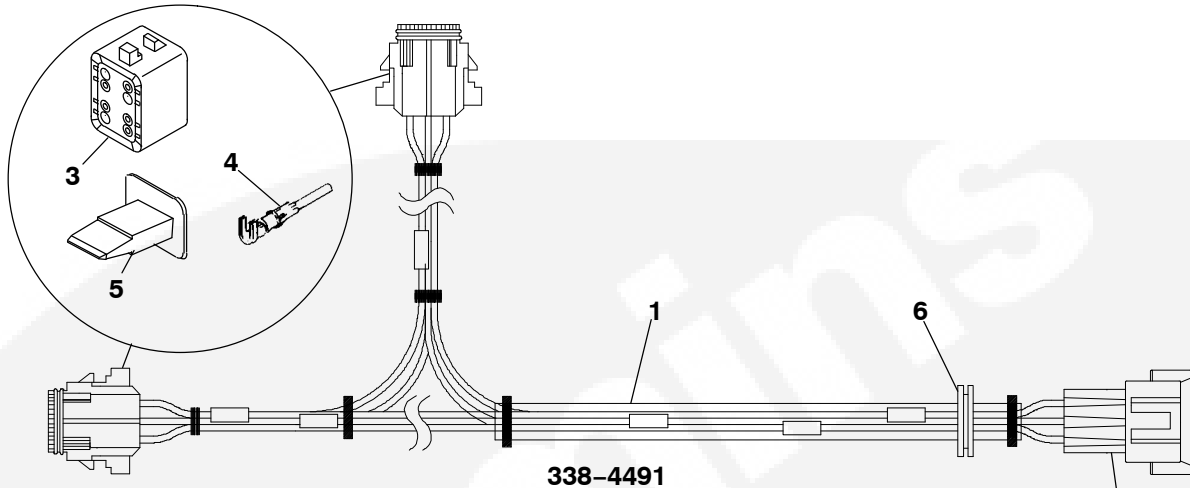


REF NO.	PART NO.	QTY. USED	PART DESCRIPTION	REF NO.	PART NO.	QTY. USED	PART DESCRIPTION
1			Harness, Remote Extension (Includes Parts Marked #)	13	338-4017	1	Harness, Pigtail (Includes Parts Marked @)
	338-3167	1	15 feet	14	323-1542	1	@Connector, Receptacle (8 Pin)
	338-3168	1	25 feet	15	323-1491	AR	+Terminal, Pin
	338-3169	1	45 feet	16	323-1544	2	@Wedge, Lock (8 Pin)
	338-3169-01	1	75 feet				
	338-3169-02	1	100 feet	17	338-4016	1	Harness, Junction (Includes Parts Marked +)
	338-3169-03	1	150 feet				
2	323-1541	1	#Plug (8 Pin)	18	323-1541	1	±°Plug, Connector (8 Pin)
3	323-1492	8	#Terminal, Socket	19	323-1492	AR	±°Terminal, Socket
4	323-1543	1	#Wedge, Plug (8 Pin)	20	323-1543	1	±°Wedge, Plug (8 Pin)
5	323-1542	1	#Receptacle, (8 Pin)	21	323-1542	2	+Connector, Receptacle (8 Pin)
6	323-1491	8	#Terminal, Pin	22	323-1491	AR	@Terminal, Pin
7	323-1544	1	#Wedge, Receptacle (8 Pin)	23	323-1544	2	+Wedge, Lock, Receptacle (8 Pin)
8	338-4223	1	Harness, Remote Panel				
9	323-1541	1	Plug (8 Pin)				
10	323-1543	1	Wedge, Plug (8Pin)				
11	323-1492	AR	Terminal, Socket				
12	323-1591	AR	Plug, Seal				

# - Parts Included in Remote Extension Harness.  
 \* - Parts Included in Custom Pigtail Harness.  
 ° - Parts Included in Adapter Harness.  
 .+ - Parts Included in Junction Harness.  
 .@ - Parts Included in Pigtail Harness.

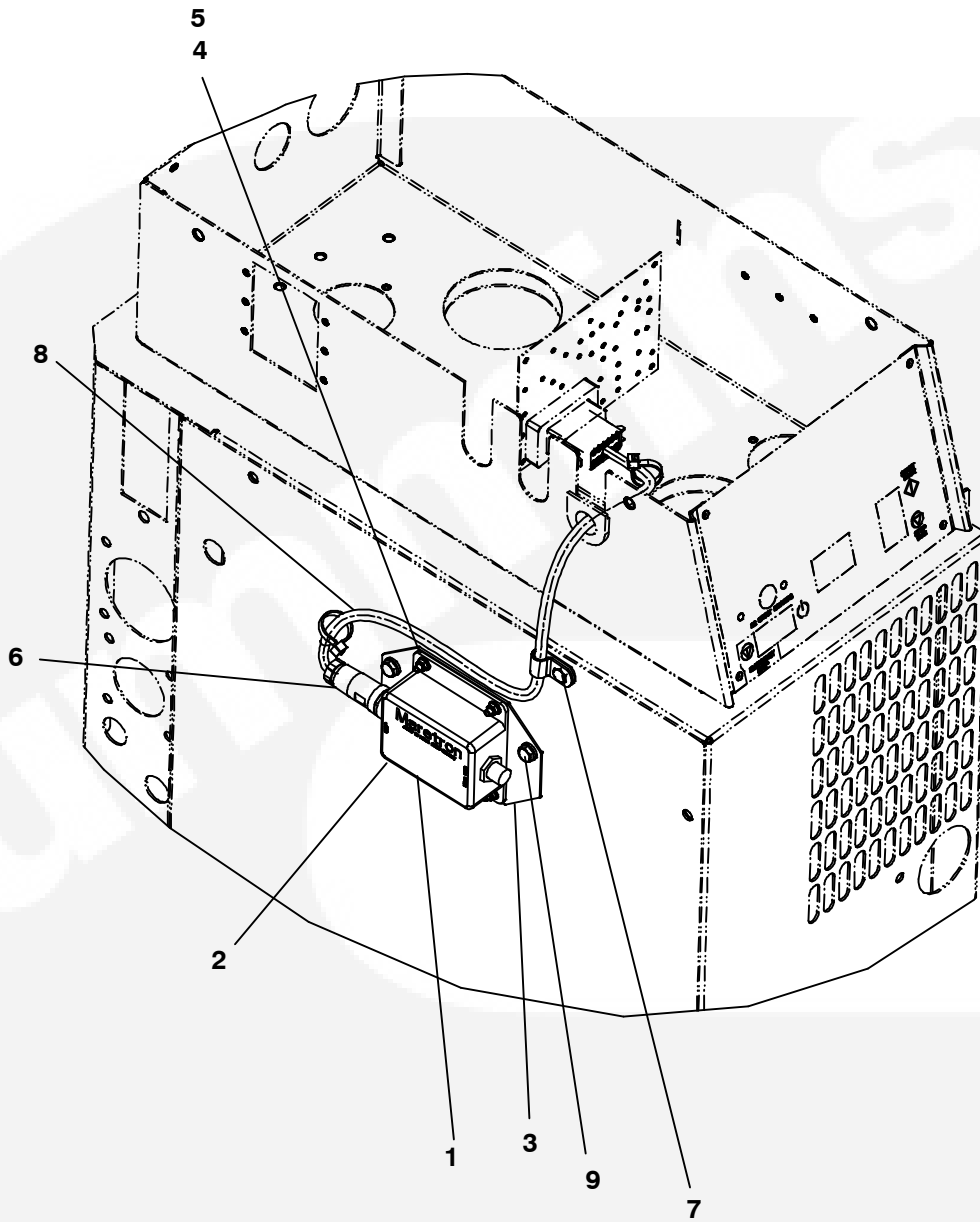


## Wiring Harnesses



REF NO.	PART NO.	QTY. USED	PART DESCRIPTION	REF NO.	PART NO.	QTY. USED	PART DESCRIPTION
1	338-4491		Harness, Remote (Includes Parts marked *)	7	323-1542	1	*+ Connector, Receptacle
2	338-4982		Harness, Remote (Includes Parts marked +)	8	323-1491	8	*+ Terminal, Pin
3	323-1541	2	*+ Connector, Plug (8Pin)	9	323-1544	1	*+ Wedge, Receptacle (8 Pin)
4	323-1492	1	*+ Terminal, Socket	10	323-1582	1	Connector, Plug (10Pin)
5	323-1543	1	*+ Wedge, Plug (8 Pin)	11	323-1583	1	Wedge, Plug (10Pin)
6	508-1105	1	*+ Grommet	12	323-1492	1	Terminal, Socket (Not Shown)
				13	323-2524	1	Housing, Receptacle
				14	323-2522	1	Seal, Connector

## Kit, Remote Control

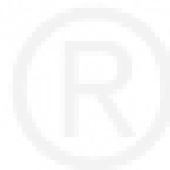


REF NO.	PART NO.	QTY USED	PART DESCRIPTION	REF NO.	PART NO.	QTY USED	PART DESCRIPTION
1	A044H021	1	Module, Remote Control	7	0518-0548-25	1	Clamp
2	A044G447	1	*Converter	8	0898-1307-03	1	Sleeve
3	A044G454	1	*Bracket, Mounting	9	A030B088	2	Screw, Hex Head
4	0526-0399-54	4	*Washer, Flat				
5	0862-0026-52	4	*Nut, Hex				
6			Cable				
	A044R209	1	(545mm)				
	A044R223	1	(2695mm)				
	A045C970	1	(1000mm)				

\* - Parts Included in Module Remote Control.

## Labels, Kits

REF NO.	PART NO.	QTY USED	PART DESCRIPTION	REF NO.	PART NO.	QTY USED	PART DESCRIPTION
098-7525		1	Module, Remote Control	98-8714		2	Label, Logo (Cummins, Onan)
98-8340		1	Label, Logo	98-8715		2	Label, Logo (Cummins, Onan)
98-8111		1	Label, Information Program	98-8717		1	Label, Logo (Cummins, Onan)
98-8053		1	Label, Information Relay	98-8701		1	Label, Information (Front)
98-8323		1	Label, Information Display	98-8699		1	Label, Information (Rear)
98-4798-01		1	Label, Warning (Unhoused)	98-8703		1	Label, Information (PTO)
98-5161		1	Label, Coolant (Housed)	100-3478-04		1	Kit, Cruise Includes
98-6995		4	Label, Warning (Housed)				All of The Following Items:
98-8601		1	Label, Information Sheet	A026K278		2	Filter, Fuel
		4	Label, Warning	122-0810		2	Filter, Oil
		1	Label, Information (No Step)	541-1521		2	Kit Pump, Service
		1	Label, Warning (Coolant)	511-0211		2	Belt
		1	Label, Information (Coolant)	130-4434		2	Pencil, Zinc
		1	Label, Information (Oil Fill)				
		1	Label, Information (Lifting)	100-3478-05		1	Kit, Cruise Includes
98-8689		1	Label, Information Sheet				All of The Following Items:
		1	Label, Information	A026K278		2	Filter, Fuel
		1	Label, Information (Service)	122-0810		2	Filter, Oil
		1	Label, Warning	185-7055		2	Belt
		1	Label, Information (No Step)	130-4434		2	Pencil, Zinc
		1	Label, Danger				
		1	Label, Warning (Coolant)	300-5725-01		1	Kit, Remote Panel
		1	Label, Information Ground	300-5725-02		1	Kit, Remote Panel
				332-3771		1	Kit, Terminal Boot



## Numerical Index

<u>Part No.</u>	<u>Page</u>	<u>Part No.</u>	<u>Page</u>	<u>Part No.</u>	<u>Page</u>	<u>Part No.</u>	<u>Page</u>
0105-0771, <b>11</b>		104-2031, <b>13</b>		115-0567, <b>23</b>		132-0393, <b>46</b>	
0105-0776, <b>11</b>		104-2032, <b>13</b>		115-0568, <b>11</b>		132-0394, <b>46</b>	
0110-4097, <b>19</b>		104-2033, <b>10</b>		120-1387-03, <b>25</b>		132-0413, <b>43 , 45</b>	
0110-4106, <b>19</b>		104-2034, <b>10</b>		122-0810, <b>84</b>		132-0416, <b>46</b>	
0147-0902, <b>18</b>		104-2035, <b>13</b>		122-0886, <b>26</b>		132-0417, <b>46</b>	
0518-0548-25, <b>83</b>		104-2036, <b>10</b>		122-0893, <b>26</b>		132-0420, <b>46</b>	
0526-0399-54, <b>83</b>		104-2037, <b>10</b>		122-0942, <b>26</b>		132-0444, <b>28 , 29</b>	
0862-0026-52, <b>83</b>		104-2038, <b>10</b>		122-0943, <b>26</b>		132-0446, <b>28 , 29</b>	
0898-1307-03, <b>83</b>		104-2039, <b>13</b>		122-0944, <b>26</b>		132-0447, <b>28 , 29</b>	
098-4798-01, <b>84</b>		104-2040, <b>13</b>		123-2262, <b>7 , 8</b>		132-0499, <b>46</b>	
098-5161, <b>84</b>		104-2041, <b>10</b>		123-2264, <b>23</b>		132-0520, <b>28</b>	
098-6995, <b>84</b>		104-2042, <b>10</b>		123-2423, <b>23</b>		132-0521, <b>29</b>	
098-7525, <b>84</b>		104-2043, <b>10</b>		123-2424, <b>7 , 8</b>		134-5299-02, <b>62</b>	
098-7917, <b>79</b>		104-2044, <b>10</b>		123-2429, <b>7 , 8</b>		134-5391, <b>23</b>	
098-8053, <b>84</b>		104-2134, <b>12</b>		130-3571, <b>49</b>		140-2859, <b>51</b>	
098-8081, <b>77 , 78</b>		104-2164, <b>13</b>		130-3572, <b>49</b>		140-3048, <b>51</b>	
098-8092, <b>77</b>		104-2165, <b>10</b>		130-3574, <b>49</b>		146-0891, <b>35</b>	
098-8111, <b>84</b>		104-2166, <b>13</b>		130-3721, <b>48</b>		147-0983, <b>18</b>	
098-8323, <b>84</b>		105-0741, <b>14</b>		130-4434, <b>43 , 84</b>		149-1908-05, <b>37 , 38</b>	
098-8340, <b>84</b>		110-3948, <b>20</b>		130-4830, <b>43 , 45</b>		149-1914-05, <b>38 , 39</b>	
098-8601, <b>84</b>		110-3987, <b>19</b>		130-5169, <b>43</b>		149-1949, <b>38 , 39</b>	
098-8689, <b>84</b>		110-4098, <b>19</b>		130-5170, <b>43</b>		149-1952, <b>38 , 39</b>	
098-8699, <b>84</b>		110-4099, <b>19</b>		130-5176, <b>43</b>		149-1953, <b>38</b>	
098-8701, <b>84</b>		110-4100, <b>19</b>		130-5469-03, <b>61</b>		149-2041-03, <b>37</b>	
098-8703, <b>84</b>		110-4101, <b>19</b>		130-5470-03, <b>61</b>		149-2045, <b>38 , 39</b>	
098-8713, <b>76</b>		110-4102, <b>19</b>		130-6329, <b>22</b>		149-2046, <b>38</b>	
098-8714, <b>84</b>		110-4103, <b>20</b>		130-6347, <b>28 , 29</b>		149-2047, <b>38 , 39</b>	
098-8715, <b>84</b>		110-4104, <b>20</b>		130-7881-02, <b>48</b>		149-2634-01, <b>35</b>	
098-8717, <b>84</b>		110-4105, <b>8</b>		130-7986-02, <b>43</b>		149-2646, <b>35</b>	
100-3478-04, <b>84</b>		110-4107, <b>19</b>		130-7987-02, <b>43</b>		149-2759-03, <b>36</b>	
100-3478-05, <b>84</b>		110-4108, <b>19</b>		130-8281, <b>22</b>		149-2795, <b>35</b>	
101-0811, <b>12</b>		110-4109, <b>19</b>		132-0293, <b>46</b>		149-2862-03, <b>35</b>	
101-0821-S0, <b>12</b>		110-4110, <b>19</b>		132-0346, <b>43 , 45</b>		150-2798, <b>14</b>	
101-0836, <b>13</b>		110-4111, <b>19</b>		132-0385, <b>46</b>		150-2800, <b>14</b>	
101-0837, <b>7 , 8</b>		112-0333, <b>9</b>		132-0386, <b>46</b>		150-2805, <b>16</b>	
102-1449-01, <b>25</b>		112-0334, <b>9</b>		132-0387, <b>46</b>		150-2836, <b>16</b>	
102-1567, <b>27</b>		112-0345, <b>9</b>		132-0388, <b>46</b>		150-2840, <b>15</b>	
103-0832, <b>24</b>		112-0346, <b>9</b>		132-0389, <b>46</b>		150-2841, <b>15</b>	
103-0864, <b>24</b>		112-0348, <b>9</b>		132-0390, <b>46</b>		150-2842, <b>16</b>	
103-0869, <b>24</b>		113-0357, <b>9</b>		132-0391, <b>46</b>		150-2844, <b>15 , 17</b>	
104-2029, <b>13</b>		113-0358, <b>9</b>		132-0392, <b>46</b>		150-2853, <b>17</b>	

## Numerical Index

<u>Part No.</u>	<u>Page</u>	<u>Part No.</u>	<u>Page</u>	<u>Part No.</u>	<u>Page</u>	<u>Part No.</u>	<u>Page</u>
150-2918,	<b>34</b>	185-2094,	<b>7 , 8</b>	185-5771,	<b>31 , 32</b>	185-5921,	<b>9</b>
150-2978,	<b>14</b>	185-2096,	<b>25</b>	185-5773,	<b>31</b>	185-5924,	<b>10 , 11</b>
150-2979,	<b>17</b>	185-2106,	<b>18 , 22</b>	185-5774,	<b>31 , 32</b>	185-5925,	<b>10</b>
150-2981,	<b>15</b>	185-2153,	<b>24</b>	185-5775,	<b>31 , 32</b>	185-5928,	<b>10</b>
150-2983,	<b>14</b>	185-2188,	<b>19</b>	185-5777,	<b>31</b>	185-5929,	<b>10</b>
150-2984,	<b>14</b>	185-2233,	<b>7 , 8</b>	185-5783,	<b>31 , 32</b>	185-5930,	<b>10</b>
150-2986,	<b>16</b>	185-2234,	<b>7 , 8</b>	185-5784,	<b>31 , 32</b>	185-5931,	<b>10</b>
150-2993,	<b>14</b>	185-2284,	<b>15</b>	185-5785,	<b>31 , 32</b>	185-5947,	<b>14</b>
152-0385,	<b>15</b>	185-2338,	<b>7</b>	185-5786,	<b>31 , 32</b>	185-5949,	<b>14</b>
154-2887,	<b>53</b>	185-2345,	<b>21</b>	185-5787,	<b>31 , 32</b>	185-5962,	<b>14</b>
154-2891,	<b>54 , 55</b>	185-2350,	<b>7 , 8</b>	185-5788,	<b>31 , 32</b>	185-5963,	<b>14</b>
154-2915,	<b>53</b>	185-2351,	<b>15</b>	185-5789,	<b>31 , 32</b>	185-5985,	<b>21</b>
154-2963-02,	<b>55</b>	185-2352,	<b>7 , 8</b>	185-5790,	<b>31 , 32</b>	185-5986,	<b>21</b>
154-3163,	<b>54</b>	185-2367,	<b>22 , 28 , 29</b>	185-5840,	<b>7 , 8</b>	185-5987,	<b>21</b>
155-1002,	<b>57</b>	185-2385,	<b>21</b>	185-5841,	<b>7 , 8</b>	185-5989,	<b>21</b>
155-2029,	<b>57</b>	185-2386,	<b>7 , 28</b>	185-5842,	<b>7 , 8</b>	185-5990,	<b>21</b>
155-2030,	<b>57</b>	185-2388,	<b>15</b>	185-5843,	<b>7 , 8 , 24</b>	185-5994,	<b>30 , 31</b>
155-2063-09,	<b>56</b>	185-2389,	<b>8 , 29</b>	185-5844,	<b>7 , 8</b>	185-5999,	<b>22</b>
155-2064-09,	<b>56</b>	185-2390,	<b>17</b>	185-5846,	<b>7 , 8</b>	185-6004,	<b>22</b>
155-2355-04,	<b>56</b>	185-2400,	<b>11</b>	185-5847,	<b>7</b>	185-6007,	<b>28 , 29</b>
155-2975,	<b>53</b>	185-2401,	<b>22</b>	185-5848,	<b>7 , 8</b>	185-6013,	<b>28 , 29</b>
155-2981,	<b>55</b>	185-2402,	<b>51</b>	185-5849,	<b>7 , 8</b>	185-6016,	<b>20</b>
155-3061,	<b>54 , 55</b>	185-2403,	<b>13</b>	185-5851,	<b>7 , 8</b>	185-6017,	<b>20</b>
155-3068-02,	<b>55</b>	185-2404,	<b>13 , 28 , 29</b>	185-5854,	<b>25</b>	185-6018,	<b>20</b>
155-3069-02,	<b>55</b>	185-2412,	<b>19</b>	185-5861,	<b>19</b>	185-6019,	<b>20</b>
155-3087,	<b>47</b>	185-2559,	<b>24</b>	185-5862,	<b>19</b>	185-6020,	<b>20</b>
155-3216,	<b>57</b>	185-2563,	<b>25</b>	185-5865,	<b>19</b>	185-6022,	<b>20</b>
155-3217,	<b>57</b>	185-2565,	<b>22</b>	185-5867,	<b>19</b>	185-6025,	<b>20</b>
155-3220,	<b>57</b>	185-2578,	<b>18</b>	185-5868,	<b>19</b>	185-6026,	<b>20</b>
155-3221,	<b>57</b>	185-2961,	<b>31 , 32</b>	185-5877,	<b>24</b>	185-6028,	<b>20</b>
155-3222,	<b>57</b>	185-4255,	<b>24 , 30</b>	185-5878,	<b>24</b>	185-6029,	<b>20</b>
155-3223,	<b>57</b>	185-5337,	<b>21</b>	185-5879,	<b>24</b>	185-6030,	<b>20</b>
155-3224,	<b>57</b>	185-5407,	<b>23</b>	185-5880,	<b>24</b>	185-6035,	<b>51</b>
155-3284,	<b>47</b>	185-5483,	<b>7 , 8</b>	185-5893,	<b>13</b>	185-6040,	<b>7 , 8</b>
155-4690,	<b>55</b>	185-5529,	<b>15</b>	185-5899,	<b>13</b>	185-6048,	<b>19</b>
155-4691,	<b>55</b>	185-5575,	<b>14</b>	185-5900,	<b>11</b>	185-6072,	<b>11</b>
185-5922,	<b>9</b>	185-5612,	<b>21</b>	185-5901,	<b>11</b>	185-6076,	<b>9</b>
181-9025,	<b>23</b>	185-5615,	<b>21</b>	185-5905,	<b>10 , 11 , 30</b>	185-6081,	<b>10</b>
181-9034,	<b>17 , 24</b>	185-5727,	<b>15</b>	185-5906,	<b>11</b>	185-6094,	<b>21</b>
181-9096,	<b>32</b>	185-5768,	<b>31 , 32</b>	185-5917,	<b>9</b>	185-6095,	<b>21</b>
181-9238,	<b>23</b>	185-5769,	<b>31 , 32</b>	185-5918,	<b>9</b>	185-6103,	<b>23</b>



## Numerical Index

<u>Part No.</u>	<u>Page</u>	<u>Part No.</u>	<u>Page</u>	<u>Part No.</u>	<u>Page</u>	<u>Part No.</u>	<u>Page</u>
185-6121, 7 , 8		185-7004, 21		201-3517-02, 69		319-4404, 73	
185-6153, 18		185-7013, 28 , 29		201-3517-04, 69		319-6227-03, 73	
185-6154, 18		185-7016, 30		205-0229-02, 69		319-6228-03, 73	
185-6164, 15		185-7021, 29		211-0435-01, 69		319-6871-02, 76	
185-6186, 31		185-7031, 7 , 8		220-4413-02, 69		319-6873, 76	
185-6189, 31		185-7045, 18		220-4618-02, 69		320-1689-04, 73	
185-6241, 29		185-7055, 84		220-4618-04, 69		320-1689-05, 73	
185-6418, 18		185-7069, 7 , 8		220-4619-02, 69		320-1689-06, 73	
185-6445, 29		185-7076, 31 , 32		220-4619-04, 69		320-1689-07, 73	
185-6481, 24		185-7134, 18		232-3672-03, 69		320-1689-08, 73	
185-6667, 27		185-7166, 15 , 17		232-3706-02, 69		320-1689-09, 73	
185-6711, 24		185-7221, 20		232-3826-02, 69		320-1689-12, 73	
185-6715, 51 , 52		190-0729-01, 50		234-0935-02, 69		320-2361, 76	
185-6722, 23		190-0729-02, 50		300-5040, 22		320-2362, 76	
185-6723, 51		190-0763-02, 50		300-5041, 22		323-1491, 77 , 81 , 82	
185-6724, 30 , 32		190-0766-03, 50		300-5725-01, 77 , 84		323-1492, 77 , 78 , 81 , 82	
185-6725, 21		190-0767-02, 50		300-5725-02, 77 , 84			
185-6727, 25		190-0768, 50		300-5727-01, 78		323-1541, 77 , 78 , 81 , 82	
185-6728, 25		190-0769-04, 50		300-5727-02, 78			
185-6731, 21		190-0771-02, 50		300-6362-03, 74 , 76		323-1542, 79 , 81 , 82	
185-6756, 18		190-0771-04, 50		300-6362-04, 74 , 76		323-1543, 77 , 78 , 81 , 82	
185-6757, 18		190-0771-06, 50		300-6363-01, 74		323-1544, 79 , 81 , 82	
185-6758, 18		190-0792-04, 50		300-6396, 75		323-1563, 74 , 79	
185-6759, 16 , 24 , 30		190-0890-03, 67		302-2002, 78		323-1582, 82	
185-6761, 25		190-0891-03, 67		302-2048, 76		323-1582-05, 79	
185-6766, 13		190-0893-03, 67		302-2084, 24		323-1582-06, 79	
185-6771, 9		190-0896-02, 50		306-5316-01, 34		323-1582-07, 79	
185-6787, 31		191-1550, 12		306-5316-02, 34		323-1583, 79 , 82	
185-6789, 20		191-1959, 12		306-5438, 11		323-1591, 78 , 79 , 81	
185-6809, 32		191-2169-01, 33		306-5439, 16		323-1708, 79	
185-6812, 32		191-2169-02, 33		307-1617, 58		323-1765, 79	
185-6813, 31		191-2170, 33		307-2656, 58		323-2522, 82	
185-6815, 32		191-2489-02, 33		307-2767, 74		323-2524, 82	
185-6816, 32		191-2505, 30		307-2819, 74		327-0923, 43 , 45	
185-6819, 31 , 32		191-2506, 30		308-1019, 77 , 78 , 79		327-1686-02, 73	
185-6820, 32		193-0244-99, 25		308-1101, 77 , 78		327-1686-03, 73	
185-6956, 14		193-0318, 22		308-1102, 77 , 78		332-1389, 51	
185-6957, 20 , 22 , 28 , 29		193-0430-01, 25		308-1218, 76		332-2370, 73	
		193-0457-01, 22		308-1219, 76		332-2890, 77 , 78	
185-6973, 10		193-0468, 48		309-0597-01, 54 , 55		332-3750, 73	
185-6978, 28		201-3515-02, 69		309-0717, 43			

## Numerical Index

<u>Part No.</u>	<u>Page</u>	<u>Part No.</u>	<u>Page</u>	<u>Part No.</u>	<u>Page</u>	<u>Part No.</u>	<u>Page</u>
332-3771,	<b>84</b>	404-0040-03,	<b>67</b>	502-0079,	<b>35</b>	503-2806,	<b>35</b>
332-3865-03,	<b>70 , 71</b>	404-0045,	<b>62</b>	502-0153,	<b>38 , 39 , 48</b>	503-2808,	<b>35 , 36</b>
333-0732-02,	<b>58</b>	404-0057,	<b>54</b>	502-0175,	<b>35</b>	503-2823,	<b>43 , 45 , 48 , 51 , 52 , 54</b>
337-0090-02,	<b>60</b>	404-0058,	<b>39</b>	502-0263,	<b>25</b>	503-2883-11,	<b>35</b>
337-2784-02,	<b>60 , 70 , 71</b>	404-0096-03,	<b>66</b>	502-1123,	<b>25</b>	503-2883-12,	<b>35</b>
		404-0097-03,	<b>65</b>	502-1133,	<b>36</b>	503-2909,	<b>43</b>
337-2785,	<b>60</b>	404-0098-03,	<b>65</b>	502-1245,	<b>35</b>	503-2910,	<b>43</b>
337-2795,	<b>73</b>	404-0100,	<b>67</b>	502-1295-01,	<b>45</b>	503-2935-03,	<b>36</b>
337-4114,	<b>21</b>	404-0159,	<b>67</b>	502-1295-02,	<b>45</b>	503-2953,	<b>39</b>
338-3167,	<b>81</b>	404-0160,	<b>67</b>	502-1297,	<b>45</b>	503-2954,	<b>39</b>
338-3168,	<b>81</b>	404-0161,	<b>67</b>	502-1367-01,	<b>35</b>	503-3129,	<b>27</b>
338-3169,	<b>81</b>	404-0573-03,	<b>66</b>	502-1367-02,	<b>36</b>	503-3134,	<b>27</b>
338-3169-01,	<b>81</b>	404-0575,	<b>67</b>	502-1425-02,	<b>40</b>	503-3142,	<b>22</b>
338-3169-02,	<b>81</b>	404-0576,	<b>66</b>	502-1463,	<b>40</b>	504-0223,	<b>40</b>
338-3169-03,	<b>81</b>	405-5052,	<b>63</b>	502-1615,	<b>36</b>	505-0003,	<b>45 , 47</b>
338-3990,	<b>78</b>	405-6340,	<b>63</b>	503-0977,	<b>40</b>	505-0041,	<b>45 , 47</b>
338-4016,	<b>81</b>	405-6684,	<b>62</b>	503-1133,	<b>57</b>	505-0304,	<b>45 , 47</b>
338-4017,	<b>81</b>	405-6819,	<b>67</b>	503-1136,	<b>43 , 45</b>	505-0339-02,	<b>55</b>
338-4200-01,	<b>58</b>	405-6993-01,	<b>65</b>	503-1137,	<b>43 , 45 , 47</b>	505-0446-01,	<b>45 , 47</b>
338-4200-02,	<b>58</b>	405-6995-01,	<b>65</b>	503-1138,	<b>43 , 45 , 47 , 48 , 51</b>	505-0759,	<b>45 , 47</b>
338-4223,	<b>81</b>	405-7179,	<b>66</b>	503-1139,	<b>57</b>	505-1490,	<b>35</b>
338-4491,	<b>73 , 82</b>	405-7347,	<b>65</b>	503-1142,	<b>52 , 54 , 57</b>	505-2529,	<b>8</b>
338-4623-02,	<b>70 , 71</b>	405-7430,	<b>62</b>	503-1143,	<b>43 , 51</b>	506-0028,	<b>16</b>
338-4982,	<b>73 , 82</b>	405-9079,	<b>62</b>	503-1163,	<b>43</b>	507-0006,	<b>10</b>
338-5174,	<b>79</b>	405-9129,	<b>62</b>	503-1692,	<b>49</b>	507-0007,	<b>11</b>
358-0069,	<b>69</b>	405-9568,	<b>64</b>	503-1896,	<b>43</b>	507-0008,	<b>11</b>
358-0070,	<b>69</b>	405-9631,	<b>62</b>	503-1898,	<b>48</b>	507-0041,	<b>14</b>
402-0681-01,	<b>73</b>	405-9751-03,	<b>64</b>	503-1898,	<b>48</b>	507-0042,	<b>10</b>
403-3573,	<b>59</b>	405-9764-02,	<b>70 , 71</b>	503-1899,	<b>48</b>	508-0021,	<b>62 , 66 , 67</b>
403-3955,	<b>59</b>	406-0958,	<b>64</b>	503-1939,	<b>51</b>	508-0051,	<b>62</b>
403-4581-02,	<b>59</b>	406-1032,	<b>65 , 66</b>	503-1977,	<b>43</b>	508-0117,	<b>36</b>
403-6788-02,	<b>59</b>	406-1071,	<b>11</b>	503-1999,	<b>48</b>	508-1102,	<b>40</b>
403-7060-02,	<b>12</b>	501-0886,	<b>21</b>	503-2023,	<b>45 , 47</b>	508-1105,	<b>73 , 82</b>
404-0018-03,	<b>62</b>	501-0909-01,	<b>52</b>	503-2079,	<b>45 , 47</b>	508-1152,	<b>62</b>
404-0019-03,	<b>62</b>	501-0910,	<b>25</b>	503-2122,	<b>43</b>	508-1203,	<b>69</b>
404-0020-03,	<b>62</b>	501-0997-01,	<b>39</b>	503-2122-01,	<b>45</b>	508-1216,	<b>11</b>
404-0021-03,	<b>62</b>	501-0997-02,	<b>39</b>	503-2309,	<b>40</b>	508-1341,	<b>26</b>
404-0022-03,	<b>62 , 75</b>	501-1005,	<b>52 , 54</b>	503-2552,	<b>22 , 27</b>	509-0094,	<b>69</b>
404-0023-03,	<b>62</b>	502-0020-01,	<b>35 , 37</b>	503-2553,	<b>22</b>	509-0351,	<b>43</b>
404-0024-03,	<b>62</b>	502-0029,	<b>37</b>	503-2588-06,	<b>36</b>	509-0368,	<b>62</b>
404-0039-03,	<b>66</b>	502-0055,	<b>35</b>	503-2728-01,	<b>40</b>		

## Numerical Index

<u>Part No.</u>	<u>Page</u>	<u>Part No.</u>	<u>Page</u>	<u>Part No.</u>	<u>Page</u>	<u>Part No.</u>	<u>Page</u>
509-0410,	<b>24</b>	526-0045,	<b>33</b>	718-1048,	<b>33</b>	800-6332,	<b>22</b>
509-0411,	<b>25</b>	526-0052,	<b>73 , 74</b>	725-1027,	<b>34</b>	800-6333,	<b>18</b>
509-0412,	<b>24</b>	526-0054,	<b>70 , 71</b>	725-1053,	<b>50</b>	800-6334,	<b>16 , 24</b>
509-0413,	<b>24</b>	526-0063,	<b>34</b>	725-1103,	<b>50</b>	800-6335,	<b>20</b>
509-0414,	<b>23</b>	526-0145,	<b>12</b>	740-1004,	<b>54 , 55</b>	800-6395-01,	<b>52 , 54 , 61</b>
509-0416,	<b>13</b>	526-0172,	<b>59</b>	750-1006,	<b>36 , 48 , 53 , 60</b>	, <b>62 , 73 , 75</b>	
509-0418,	<b>17</b>	526-0174,	<b>50 , 69</b>	750-1010,	<b>59</b>	800-6414,	<b>24</b>
509-0428,	<b>25</b>	526-0219,	<b>33</b>	800-0027,	<b>33</b>	801-1050,	<b>50</b>
509-0554,	<b>27</b>	526-0399-11,	<b>69</b>	800-0051,	<b>69</b>	802-2068,	<b>54 , 55</b>
509-0558,	<b>15</b>	526-0399-13,	<b>35</b>	800-0090,	<b>50</b>	810-0155,	<b>73 , 74</b>
510-0112,	<b>69</b>	526-0399-42,	<b>69</b>	800-0104,	<b>33</b>	813-0100,	<b>69</b>
510-0265,	<b>14</b>	526-0399-44,	<b>69</b>	800-0104,	<b>33</b>	815-0550-03,	<b>73</b>
510-0266,	<b>14</b>	526-0399-58,	<b>58</b>	800-0309-10,	<b>76</b>	815-0904,	<b>35</b>
510-0267,	<b>14</b>	526-0399-62,	<b>12</b>	800-0310-04,	<b>35</b>	815-0910,	<b>77 , 78</b>
511-0211,	<b>84</b>	526-0399-64,	<b>35 , 50</b>	800-0310-27,	<b>69</b>	815-0916,	<b>50</b>
511-0252,	<b>30</b>	526-0413,	<b>25</b>	800-0310-36,	<b>69</b>	815-0935,	<b>69</b>
512-0445,	<b>30</b>	526-0451,	<b>33 , 50</b>	800-0310-64,	<b>69</b>	815-1595,	<b>24</b>
514-0441,	<b>22</b>	526-1002,	<b>76</b>	800-0317,	<b>43</b>	815-1596,	<b>30</b>
516-2145,	<b>27</b>	526-2050,	<b>62 , 75</b>	800-2057,	<b>43 , 45 , 60</b>	815-1598,	<b>24</b>
516-2147,	<b>10</b>	526-2100,	<b>12 , 43 , 45 , 48</b>	800-2067,	<b>54 , 55</b>	815-1601,	<b>25</b>
517-0131-02,	<b>52 , 54</b>	, <b>53 , 54 , 55 , 60 , 73</b>		800-2071,	<b>33</b>	815-1602,	<b>24</b>
517-0133,	<b>62</b>	526-2106,	<b>35</b>	800-2113,	<b>12</b>	818-0231-01,	<b>73</b>
517-0136,	<b>62 , 66 , 67 , 73</b>	526-2120,	<b>35 , 43</b>	800-2118,	<b>59</b>	818-0231-02,	<b>62</b>
517-0136-01,	<b>36</b>	526-2140,	<b>12 , 59 , 60 , 70</b>	800-2515,	<b>50 , 54 , 55</b>	818-1150-03,	<b>74</b>
517-0138-04,	<b>66</b>	, <b>71</b>		800-3004,	<b>35 , 43</b>	821-0009,	<b>73</b>
517-0138-05,	<b>73</b>	541-0823,	<b>58</b>	800-3005,	<b>12 , 35</b>	821-2035,	<b>50</b>
517-0138-07,	<b>62</b>	541-0824,	<b>58</b>	800-3031,	<b>35 , 58 , 59</b>	821-6002-02,	<b>35</b>
517-0138-08,	<b>73</b>	541-0876-01,	<b>40</b>	800-3032,	<b>12 , 35 , 50 , 60</b>	821-6002-03,	<b>25</b>
517-0138-09,	<b>52 , 54</b>	541-0941-01,	<b>77</b>	, <b>70 , 71</b>		821-6003-01,	<b>35 , 36 , 43</b>
517-0373,	<b>7 , 8</b>	541-0941-02,	<b>77</b>	800-3033,	<b>12 , 50</b>	, <b>45 , 73</b>	
517-0392-19,	<b>63</b>	541-1168,	<b>9</b>	800-3042,	<b>62 , 75</b>	821-6003-02,	<b>59</b>
517-0452,	<b>7 , 8</b>	541-1169,	<b>9</b>	800-6002,	<b>73 , 74</b>	823-1002-03,	<b>70 , 71</b>
518-0548-08,	<b>35</b>	541-1472-01,	<b>54</b>	800-6062,	<b>73</b>	850-0045,	<b>33</b>
518-0712,	<b>14</b>	541-1472-02,	<b>54</b>	800-6305,	<b>16</b>	850-0060,	<b>33</b>
518-0713,	<b>14</b>	541-1472-03,	<b>54</b>	800-6306,	<b>16</b>	850-0114-06,	<b>69</b>
518-0732,	<b>9</b>	541-1472-04,	<b>54</b>	800-6307,	<b>15</b>	850-0114-53,	<b>58</b>
520-2218,	<b>53</b>	541-1521,	<b>46 , 84</b>	800-6327,	<b>20</b>	850-2008,	<b>55</b>
520-2655,	<b>28</b>	541-1523,	<b>46</b>	800-6328,	<b>22</b>	850-2056,	<b>65</b>
526-0008,	<b>69</b>	718-1017,	<b>65</b>	800-6329,	<b>13</b>	853-0008,	<b>69</b>
526-0029,	<b>70 , 71</b>	718-1035,	<b>12</b>	800-6330,	<b>23</b>	853-0013,	<b>69</b>
		718-1037,	<b>55</b>	800-6331,	<b>22</b>	853-0016,	<b>58 , 73</b>

## Numerical Index

<u>Part No.</u>	<u>Page</u>	<u>Part No.</u>	<u>Page</u>	<u>Part No.</u>	<u>Page</u>	<u>Part No.</u>	<u>Page</u>
856-0003,	<b>76</b>	A035K169,	<b>63</b>				
856-0006,	<b>73 , 74</b>	A035K171,	<b>63</b>				
856-0008,	<b>60 , 70 , 71</b>	A044G447,	<b>83</b>				
856-0013,	<b>60 , 70 , 71</b>	A044G454,	<b>83</b>				
860-2008,	<b>35</b>	A044H021,	<b>83</b>				
860-2057,	<b>62</b>	A044R209,	<b>83</b>				
862-0003,	<b>70 , 71</b>	A044R223,	<b>83</b>				
862-0016,	<b>33</b>	A045C970,	<b>83</b>				
862-0026-30,	<b>58</b>	A045Y108,	<b>7</b>				
862-0026-54,	<b>58</b>	A045Y110,	<b>7</b>				
862-0026-55,	<b>50</b>	A045Y135,	<b>8</b>				
870-0131,	<b>58 , 69 , 76</b>	A045Y137,	<b>8</b>				
870-0221-01,	<b>54</b>	A045Y623,	<b>8</b>				
870-2055,	<b>33</b>	A045Y625,	<b>8</b>				
870-2062,	<b>73 , 74</b>	A047S203,	<b>79</b>				
870-2065-02,	<b>66 , 67</b>	A048U078,	<b>19</b>				
871-0016,	<b>73 , 74</b>	A048U079,	<b>11</b>				
871-0025,	<b>60 , 70 , 71</b>	A048U080,	<b>18</b>				
895-0395,	<b>64 , 65</b>						
895-0402,	<b>62</b>						
895-0411,	<b>64</b>						
898-1311-01,	<b>43 , 45</b>						
898-1311-02,	<b>43</b>						
898-1311-05,	<b>39</b>						
A026K127,	<b>33</b>						
A026K278,	<b>84</b>						
A026M935,	<b>37</b>						
A029N447,	<b>61</b>						
A029U252,	<b>61</b>						
A029U256,	<b>61</b>						
A029U260,	<b>61</b>						
A030B088,	<b>63 , 65 , 66 , 67 , 83</b>						
A030B824,	<b>64</b>						
A030F177,	<b>63</b>						
A030F179,	<b>65 , 66</b>						
A030P511,	<b>61</b>						
A030P519,	<b>61</b>						
A030P526,	<b>61</b>						
A030P528,	<b>61</b>						
A035K157,	<b>63</b>						





# Cummins Onan

## Cummins Power Generation

1400 73rd Ave. NE  
Minneapolis, MN 55432 USA

Phone 1 763 574 5000

Toll-free 1 800 888 6626

Fax 1 763 574 5298

Email [www.cumminsonan.com/contact](http://www.cumminsonan.com/contact)

[www.cumminsonan.com](http://www.cumminsonan.com)

Cummins<sup>®</sup>, Onan<sup>®</sup>, the "C" logo, and "Performance you rely on."<sup>®</sup> are trademarks of Cummins Inc.

©2015 Cummins Power Generation, Inc. All rights reserved.

