

Cummins **Onan**



Parts Manual

Marine Generator Set

MDKBJ (Spec A–D)

MDKBW (Spec A–C)

Introduction

This catalog applies to the standard marine generator sets listed below. Parts are arranged in groups of related items and each illustrated part is identified by a reference number corresponding to the same reference number in the parts list. Parts illustrations are typical. Unless otherwise mentioned in the description or page heading, parts are interchangeable between models. Throughout this catalog left and right sides are determined by facing the engine end (front) of the set.

<u>MODEL</u>	<u>HERTZ</u>
MDKBJ/*	50Hz
MDKBJ/*	60Hz
MDKBW	50Hz

* – The diagonal line (/) in the model and specification number separates generator set characteristics from the specification number and letter. The specification number denotes customer requested options or deviations from the standard model. The specification letter advances (A to B, B to C, etc.) with major manufacturing changes.

This Page Intentionally Left Blank.

Index

A

Actuator, Governor, **43**
Adapter, Pipe, **43**
Adaptor, Engine, **40**
Adaptor, Exhaust, **36**
Adaptor, Oil Drain, **42**
Arm, Rocker, **21**
Assy Bearing ,Main, **13**
Assy, Bearing Case Main, **13**
Assy, Control, **33**
Assy, Cover Cylinder Head, **24**
Assy, Crankshaft, **10**
Assy, Thermostat, **22**

B

Ball, **25** , **29**
Ball, Crankshaft, **10**
Ball, Injection Pump Gear, **17**
Band, Pipe, **23**
Base, Drip Pan, **41**
Bearing Main, **13**
Bearing, Ball, **29** , **38**
Bearing, Crankshaft Thrust, **10**
Bearing, Pump, **35**
Bearing, Water Pump Ball, **26**
Belt, **34** , **40**
Block, Brush, **38** , **39**
Block, Cylinder, **8** , **9**
Board, LCD Printed Circuit, **53**
Body, Water Pump, **35**
Bolt, **25**
Boot, Rocker, **33**
Box, Control, **46**
Box, Remote Control, **53**
Bracket, **38** , **39**
Bracket, Lifting, **40**
Bracket, Pump, **34**
Bracket, Rocker Arm, **21**
Breaker, Circuit, **33**
Bushing, Connecting Rod, **10**

Bushing, Crankshaft, **10**
Bushing, Idle Gear, **12**

C

Camshaft, **12**
Camshaft Assy, Fuel, **29**
Camshaft, Fuel, **29**
Cap, Cylinder Block Sealing, **8** , **9**
Cap, Cylinder Head Sealing, **18**
Cap, Nut, **43**
Cap, Pressure, **36**
Cap, Speed Control, **15** , **16**
Cap, Valve, **21**
Cartridge, Oil Filter, **34**
Case, Governor Ball, **17** , **29**
Clamp, **33** , **34** , **37** , **37**
Clamp, Hose, **36** , **37**
Clamp, Loop, **38** , **39**
Clip, Circle, **29**
Clip, Hold Down, **41**
Cock, Oil Drain, **8**
Collar, **27**
Collar, Crankshaft, **10**
Collet, Valve Spring, **21**
Components, Engine Coolant Pump, **26**
Components, Injection Nozzle, **20**
Connector, Bulkhead, **34**
Connector, Hose, **34**
Control Panel, **33**
Control, LCD, **53**
Control, Speed, **16** , **27**
Cord, Glow Plug, **19**
Coupling, **40**
Cover, **28**
Cover, Access, **46**
Cover, Bearing Case, **13**
Cover, Enclosure, **46** , **47**
Cover, Fuel Camshaft, **8** , **9**
Cover, Valve, **24**
Cover, Water Temperature Thermostat, **22**

Index

Cover–Enclosure, **47**

Crankshaft, **10**

D

Door, Access, **46**

Drip Pan, **41**

Duct, Air, **40**

Duct, Exhaust, **46**

E

Elbow, 90 Deg, **43**

Elbow, 90 Degree, **34**

Elbow, Pipe, **43**

Enclosure, **46**

Endbell, Generator, **38 , 39**

Engine, **43**

Engine, Replacement, **8 , 9**

Exchanger, Heat, **34**

Exhaust, **36**

Eye, Lifting, **18**

F

Fan, **30 , 38 , 39**

Filter, Fuel Inst., **45**

Fitting, Hose Connector, **34**

Flange, Component Water Pump, **26**

Flange, Outlet Water Pump, **22**

Flywheel, **40**

Fuel Camshaft and Governor Shaft, **29**

Fuel Pump (Mechanical), **28**

Fuel System, **45**

G

Gasket, **17 , 33 , 34 , 36 , 37**

Gasket, Bearing Case, **13**

Gasket, Case Cover, **13**

Gasket, Cylinder Head, **11 , 18**

Gasket, Fuel Pump, **28**

Gasket, Head Cover, **24**

Gasket, Injector Nozzle, **19**

Gasket, Inlet Manifold, **32**

Gasket, Oil Pump, **8 , 9**

Gasket, Speed Control, **15 , 16**

Gasket, Thermostat, **22**

Gasket, Water Pump, **26**

Gear, Camshaft, **12**

Gear, Crankshaft, **10**

Gear, Idle, **12**

Gear, Injection Pump, **17 , 29**

Gear, Oil Pump Drive, **8 , 9**

Gearcase, **25**

Generator, **38 , 38 , 39 , 39**

Generator Drive, **40**

Grommet, **38 , 39**

Grommet, Remote, **46**

Grommet, Rubber, **46 , 47**

Guard, Belt, **46**

Guide, Valve, **18**

H

Harness, AC, **46**

Harness, Battery, **33**

Harness, Deluxe Remote Panel, **52**

Harness, Engine, **33**

Harness, Junction, **49**

Harness, Pigtail (12"), **49**

Harness, Remote Control Panel, **50**

Harness, Remote Extension, **49**

Harness, Remote Panel, **51**

Harnesses, Wiring, **48**

Harness, Remote Panel, **53**

Head, Cylinder, **18**

Heatsink, **33**

Holder Assy, Nozzle, **20**

Holder, Fork Lever, **14**

Holder, Main Bearing, **13**

Holder, Nozzle, **19**

Hose, Coolant, **34 , 34**

Hose, Exhaust, **36**

Index

Hose, Intake, **33 , 37**
Hourmeter, Remote Control Panel, **51**
Housing, Terminal, **38 , 39**
Hub, Drive, **40**

I

Impeller, Water Pump, **26**
Indicator, Oil Level, **42**
Insulation, Door, **46**
Insulation, Enclosure, **46 , 47**
Insulation, Exhaust, **46**
Insulation, Roof, **46**
Insulator, Terminal, **33**
Intake, **37**
Isolator, Vibration, **41**

J

Joint , **17**
Joint, Pipe, **25**

K

Key, Camshaft Feather, **12**
Key, Crankshaft Feather, **10**
Key, Cylinder Block Feather, **8 , 9**
Key, Feather, **29**
Key, Fuel Camshaft Feather, **17**
Kit, Accessory Harness (Ext Wake), **46**
Kit, Control Display, **53**
Kit, Control Harness (Battery Shunt 15'), **46**
Kit, Control Harness (Transfer Switch Load Demand), **46**
Kit, Holder Nozzle, **19**
Kit, Panel , Remote, **51**
Kit, Remote Control Panel, **50**
Kit, Remote Panel, **52**
Kit, Water Pump, **35**

L

Label, Information, **44**

Label, Logo, **44**
Labels, **44**
Latch, **46**
Lever, Fork, **14**

M

Manifold, Exhaust, **36**
Manifold, Inlet, **32**
Meter, Run Time, **33**
Meter, Volt (M4), **52**
Mount, Engine, **43**

N

Nozzle, Injection, **19**
Nozzle, Injection Component, **20**

O

O'Ring, Cylinder Block, **8 , 9**
O'Ring, Cylinder Head, **18**
O'Ring, Gearcase, **25**
O'Ring, Oil Slinger, **10**
Oil Filter, **34**
Oil Pan, **15**
Oil System, **42**
Outlet, Water, **22 , 23**

P

Packing, Solenoid Cover, **43**
Pad, Heat Sink, **33**
Panel, Deluxe Remote Printed, **52**
Panel, Remote Control, **50 , 52**
Panel, Remote Control (Switch Only), **50**
Panel, Remote Control (W/Hourmeter), **51**
Panel, Remote Printed, **51**
Panel, Remote Switch and Display, **53**
Panel, Roof, **46**
Pin, Cylinder Block Hollow, **8 , 9**
Pin, Cylinder Block Straight, **8 , 9**

Index

Pin, Gearcase Spring, **25**
Pin, Governor Spring, **14**
Pin, Piston, **10**
Pipe, Breather, **32**
Pipe, Injection, **19**
Pipe, Overflow, **19**
Pipe, Water, **23**
Pipe, Water Pump Return, **26**
Pipe, Water Return, **22**
Piston, **10** , **11**
Piston Assy, Ring, **11**
Piston Kit (Optional), **11**
Plate, Camshaft Retaining, **12**
Plate, Fuel Camshaft Retaining, **17**
Plate, Regulator, **33**
Plug, Cylinder Block, **8** , **9**
Plug, Cylinder Head Pipe, **18**
Plug, Gearcase Pipe, **25**
Plug, Glow, **19**
Plug, Hole, **46**
Plug, Oil Gauge, **25**
Pulley, **31** , **40**
Pulley, Generator Machine, **40**
Pulley,Fan, **30**
Pulley,Water Pump, **31**
Pump, Engine Coolant, **26**
Pump, Fuel, **45**
Pump, Injection, **17**
Pump, Oil, **8** , **9**
Pump, Raw Water, **34**

R

Regulator, Voltage, **33**
Repair Kit, Water Pump (Minor), **35**
Resonator, Air Intake, **33**
Resonator, Intake, **37**
Retainer, Valve Spring, **21**
Ring, Collector, **38**
Ring, Idle Gear Retaining, **12**
Ring, Piston Pin Retaining, **10**

Rod, Camshaft Push, **12**
Rod, Connecting, **10**
Rod, Injection Nozzle Push, **20**
Rotor, Generator, **38**

S

Seal, Air Inlet, **40**
Seal, Enclosure, **41**
Seal, Injection Nozzle Heat, **19**
Seal, O Ring, **38** , **39** , **40**
Seal, Oil, **13**
Seal, Valve Stem, **21**
Seal, Water Pump, **26**
Seal, Weather, **46**
Seat, Valve, **25**
Sender, Oil Pressure, **43**
Sender, Temperature, **43**
Sender, Water Temperature, **22**
Set, Crankshaft Bearing, **10**
Set, Piston Ring, **10**
Shaft, Governor, **14**
Shaft, Idle Gear, **12**
Shaft, Lever, **27**
Shaft, Rocker Arm, **21**
Shim, Injection Pump, **17**
Sleeve, Air Intake, **37**
Sleeve, Convoluted, **38** , **39**
Sleeve, Crankshaft, **10**
Sleeve, Governor, **17** , **29**
Sleeve, Insulation, **38** , **39**
Slinger, Oil, **10**
Spacer, **34**
Spacer, Idle Gear, **12**
Spacer, Injection Nozzle, **20**
Speed Assy, Control, **27**
Spring, Fork Lever Governor, **14**
Spring, Injection Nozzle, **20**
Spring, Return, **27**
Spring, Rocker Arm, **21**
Spring, Valve, **21**

Index

Spring, Valve Seat, **25**
Starter, **43**
Stator, Generator, **38**
Stopper, Fuel, **29**
Strap, Electrical, **33** , **46**
Stud, **23** , **36** , **38** , **39**
Switch, Deluxe Rocker, **52**
Switch, Manual Transfer (On/Off Shore), **54**
Switch, Pressure, **34**
Switch, Remote Control Panel Rocker, **50**
Switch, Rocker, **33** , **46**
Switch, Rocker (S11), **51**
Switch, Temperature, **36**
System, Cooling, **34**

T

Tag, Caution, **44**

Tappet, Camshaft, **12**
Tensioner, Belt, **40**
Tube, Oil, **42**
Tube, Resonator, **37**

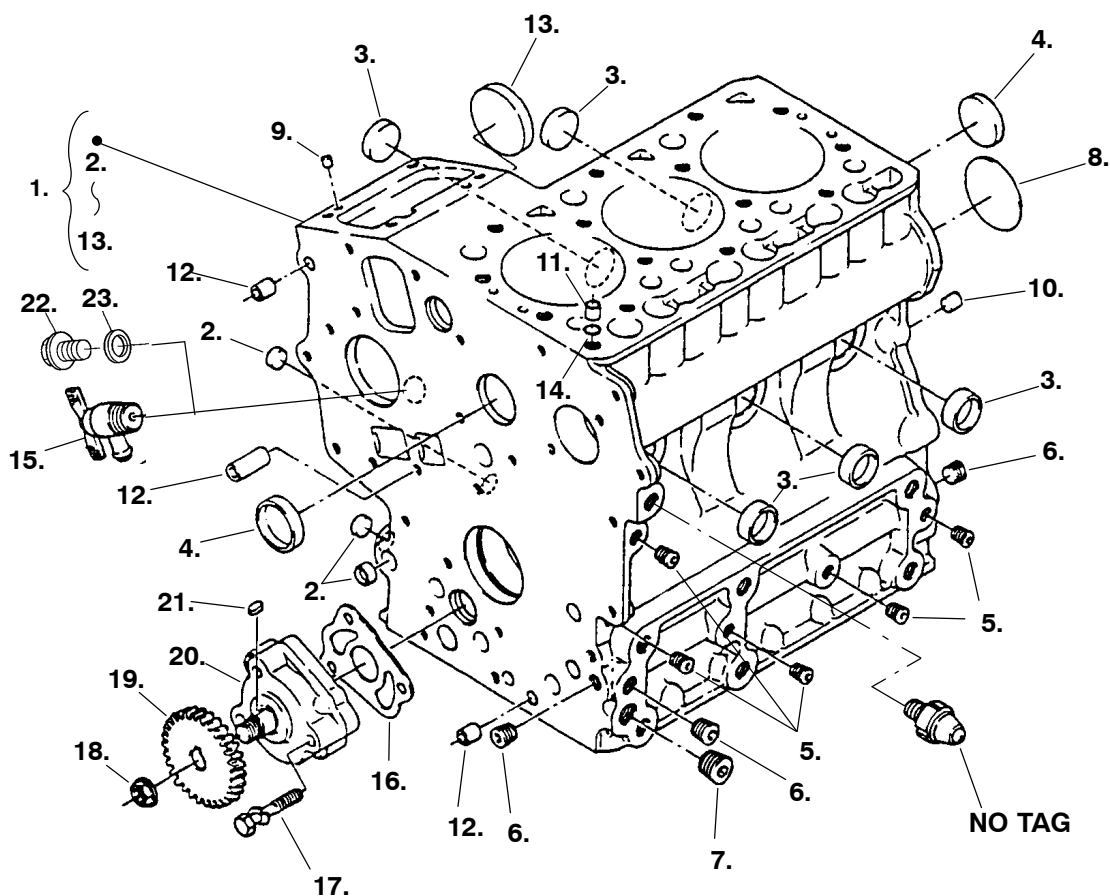
V

Valve, Ball, **42**
Valve, Exhaust, **21**
Valve, Intake, **21**

W

Washer, **25**

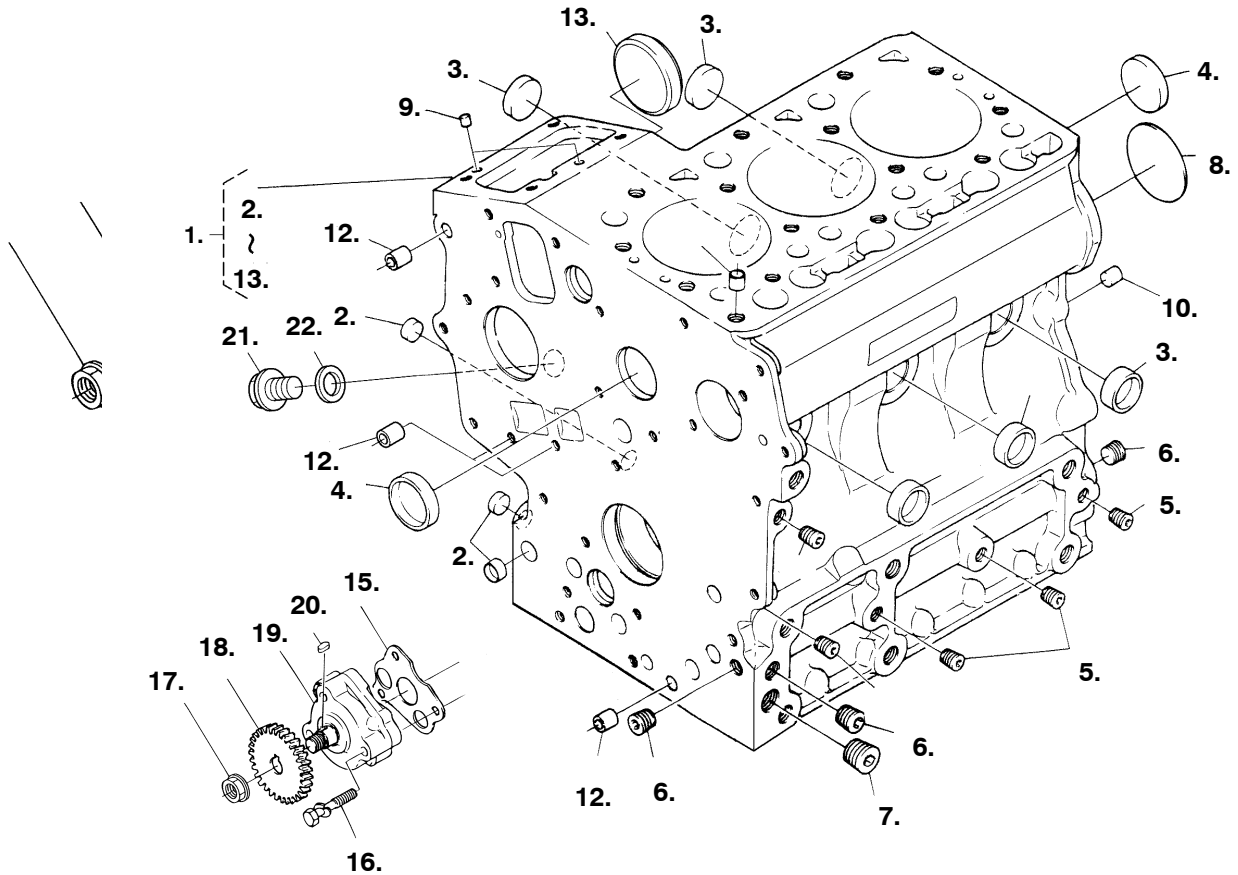
Cylinder Block (MDKBJ)



REF NO.	PART NO.	QTY USED	PART DESCRIPTION	REF NO.	PART NO.	QTY USED	PART DESCRIPTION
1.	A026D807	1	Engine, Replacement	14.	185-2095	1	*O'Ring
		1	Block Assy, Cylinder (Includes Parts Marked *)	15.	185-5490	1	*Cock, Drain
2.	185-5482	3	*Cap, Sealing	16.	185-5413	1	*Gasket, Oil Pump
3.	185-5483	5	*Cap, Sealing	17.	185-5491	3	*Screw, Hex Head Cap
4.	185-5484	2	*Cap, Sealing	18.	185-5416	1	*Nut, Flange Hex
5.	185-2188	5	*Plug, Pipe	19.	185-5414	1	*Gear, Oil Pump Drive
6.	185-5505	3	*Plug, Pipe	20.	185-5412	1	*Pump, Oil
7.	185-2234	1	*Plug, Pipe	21.	185-5415	1	*Key, Feather
8.	185-5485	1	*Plug	22.	181-9022	1	*Bolt, Plug
9.	185-5486	2	*Pin, Straight	23.	509-0549	1	*Washer, Oil Seal
10.	185-5487	2	*Pin, Straight				
11.	185-2094	1	*Pin, Hollow				
12.	185-2115	4	*Pin, Hollow				
13.	185-5489	1	*Cover, Fuel Camshaft				

* - Parts Included in Cylinder Block Assy.

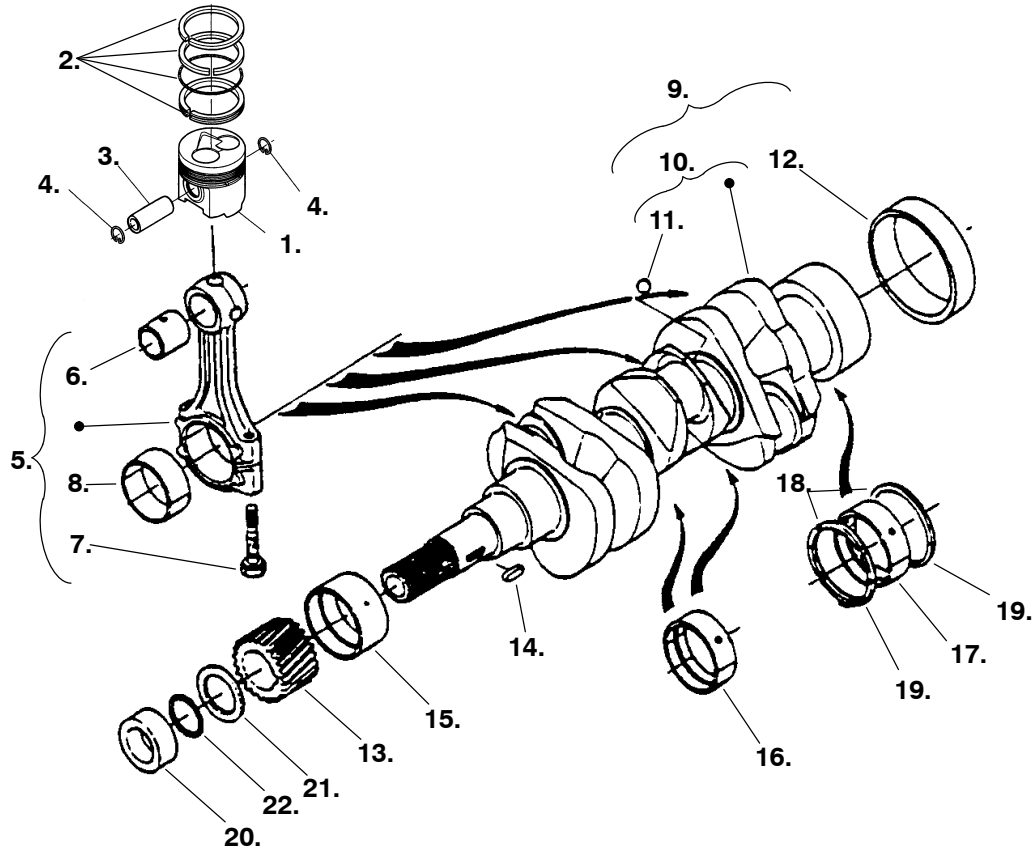
Cylinder Block (MDKBW)



REF NO.	PART NO.	QTY USED	PART DESCRIPTION	REF NO.	PART NO.	QTY USED	PART DESCRIPTION
		1	Engine, Replacement	12.	185-2115	4	*Pin, Hollow
1.	A041C175	1	Block Assy, Cylinder (Includes Parts Marked *)	13.	185-5489	1	*Cover, Fuel Camshaft
2.	185-5482	3	*Cap, Sealing	14.	185-2095	1	*O'Ring
3.	185-5483	5	*Cap, Sealing	15.	185-5413	1	*Gasket, Oil Pump
4.	185-5484	2	*Cap, Sealing	16.	185-5491	3	*Screw, Hex Head Cap
5.	185-2188	5	*Plug, Pipe	17.	185-5416	1	*Nut, Flange Hex
6.	185-5505	3	*Plug, Pipe	18.	185-5414	1	*Gear, Oil Pump Drive
7.	185-2234	1	*Plug, Pipe	19.	185-5412	1	*Pump, Oil
8.	185-5485	1	*Plug	20.	185-5415	1	*Key, Feather
9.	185-5486	2	*Pin, Straight	21.	181-9022	1	*Bolt, Plug
10.	185-5487	2	*Pin, Straight	22.	509-0549	1	*Washer, Oil Seal
11.	185-2094	1	*Pin, Hollow				

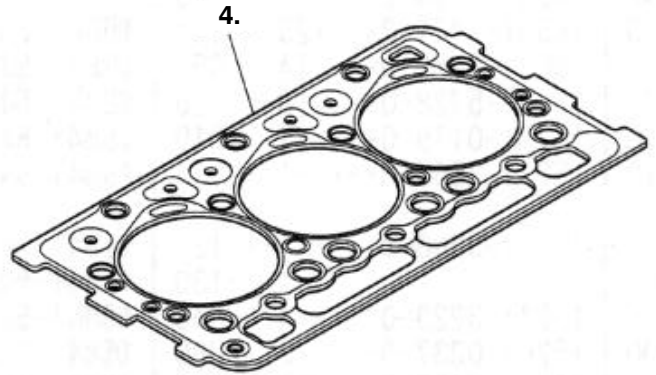
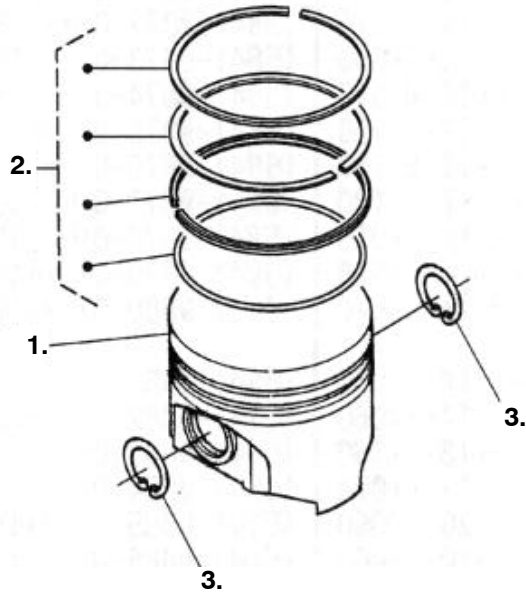
* - Parts Included in Cylinder Block Assy.

Crankshaft



REF NO.	PART NO.	QTY USED	PART DESCRIPTION	REF NO.	PART NO.	QTY USED	PART DESCRIPTION
1.	112-0332	3	Piston	15.			Bushing, Crankshaft
	185-5350	3	Standard + 0.25 mm		185-5577	1	Standard
2.			Set, Piston Ring		185-5578	1	- 0.20 mm
	185-7076	3	Standard		185-5579	1	- 0.40 mm
	185-7386	3	+ 0.25 mm	16.			Set, Bearing
3.	185-5568	3	Pin, Piston		185-5581	2	Standard
4.	185-2016	6	Ring, Retaining		185-5360	2	- 0.20 mm
5.	181-9162	3	Rod, Connecting (Includes Bushings and Bolt)		185-5361	2	- 0.40 mm
6.	181-9161	3	Bushing, Connecting Rod	17.			Set, Bearing
7.	185-5570	6	Bolt, Connecting Rod		185-5580	2	Standard
8.			Bushing, Connecting Rod		185-2026	2	- 0.20 mm
	185-5571	3	Standard		185-5357	2	- 0.40 mm
	185-5572	3	- 0.20 mm	18.			Bearing, Thrust
	185-5573	3	- 0.40 mm		185-2022	2	Standard
9.	A030B478	1	Assy, Crankshaft (Includes Parts Marked *)		185-2028	2	+ 0.20 mm
10.	185-7415	1	*Crankshaft (Includes Ball and Sleeve)		185-2029	2	+ 0.40 mm
11.	185-5575	3	*Ball	19.			Bearing, Thrust
12.	185-2033	1	*Sleeve		A030B480	2	Standard
13.	185-5576	1	Gear, Crankshaft		104-2169	2	+ 0.20 mm
14.	185-2353	1	Key, Feather		185-2031	2	+ 0.40 mm
				20.	185-5582	1	Collar
				21.	185-5583	1	Slinger, Oil
				22.	181-9020	1	O'Ring

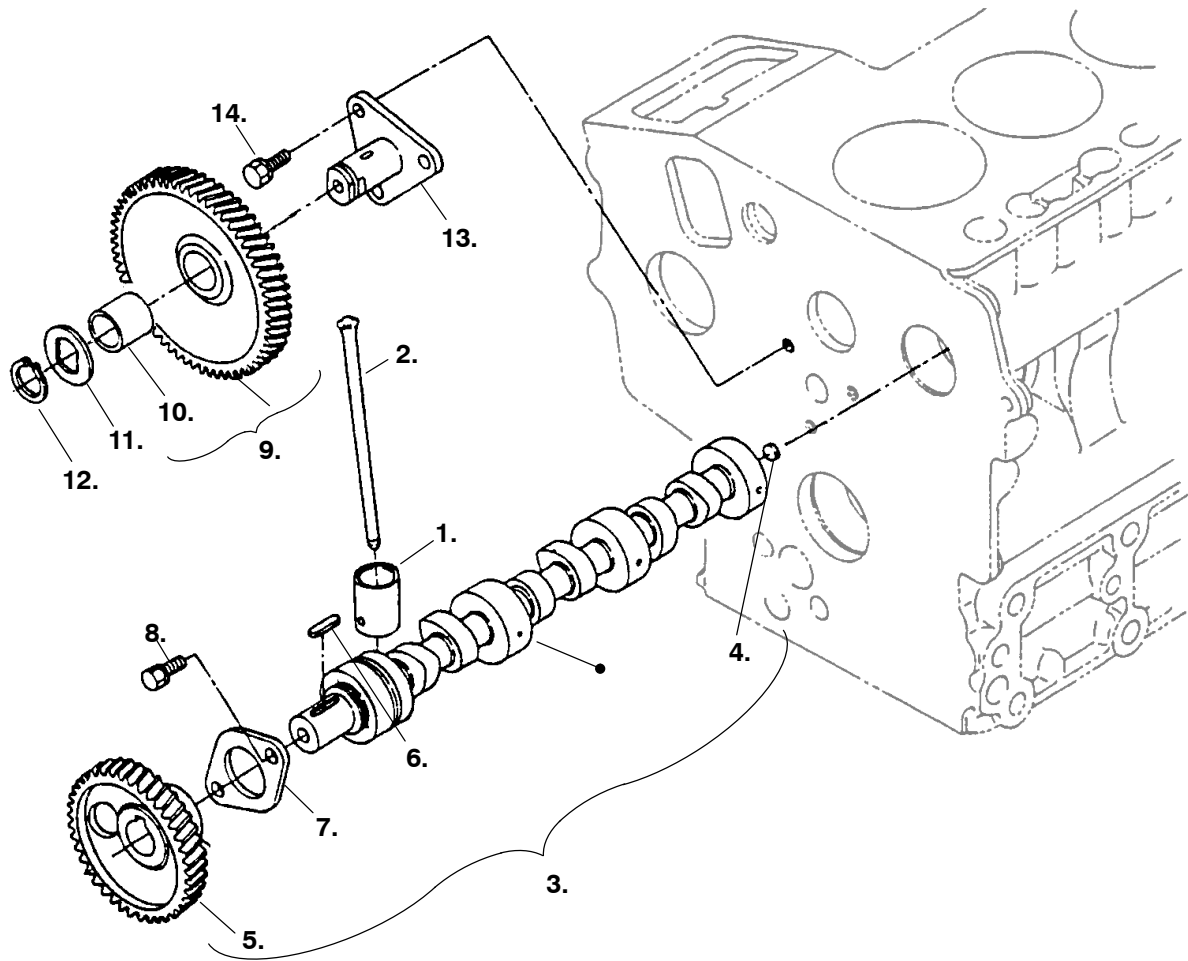
Piston Kit (Optional)



REF NO.	PART NO.	QTY USED	PART DESCRIPTION
1.	112-0332	3	Piston
2.	185-7076	3	Piston Assy, Ring

REF NO.	PART NO.	QTY USED	PART DESCRIPTION
3.	185-2016	6	Clip, Circle
4.	110-4131	1	Gasket, Cylinder Head

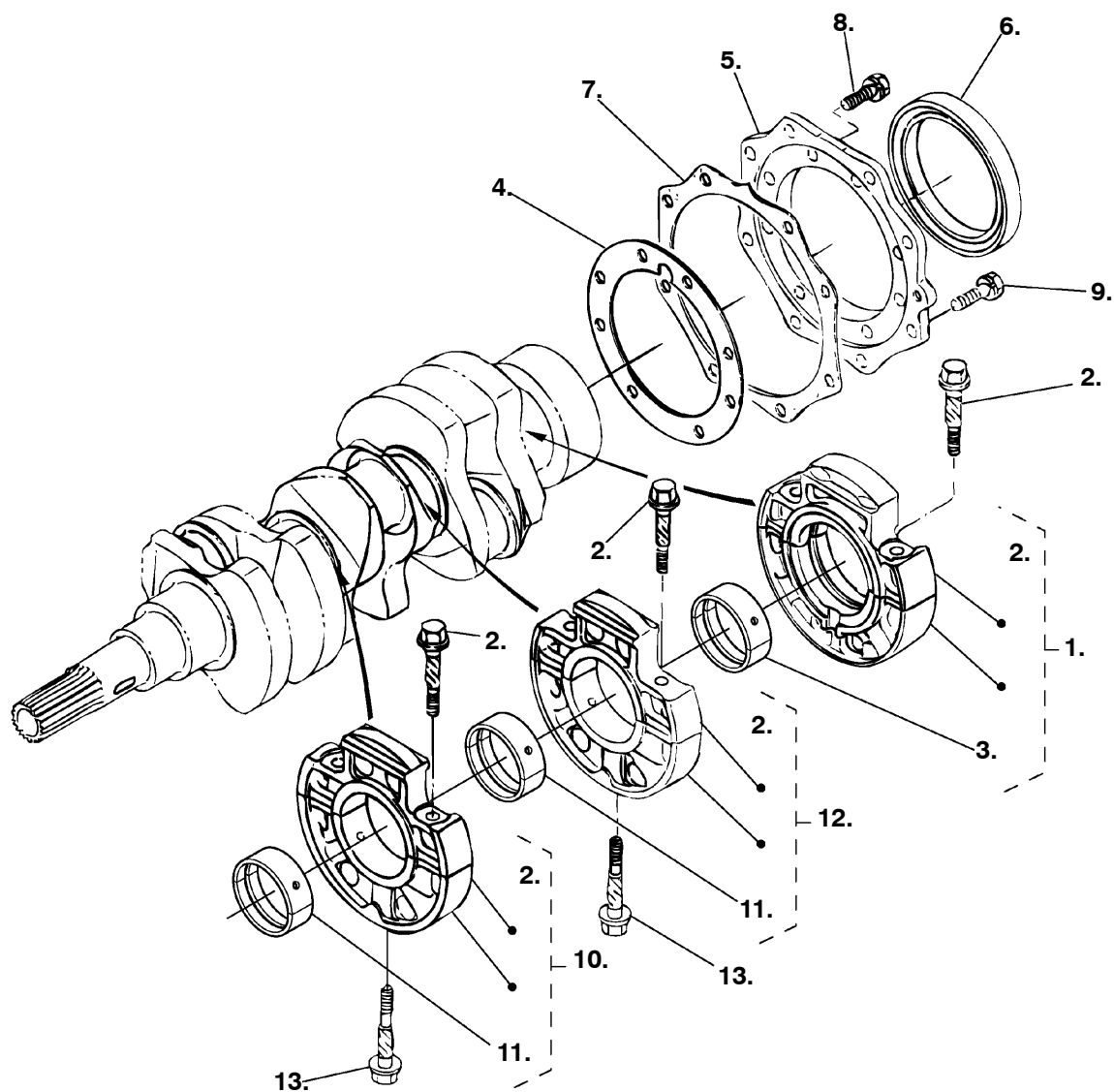
Camshaft



REF NO.	PART NO.	QTY USED	PART DESCRIPTION	REF NO.	PART NO.	QTY USED	PART DESCRIPTION
1.	181-9159	6	Tappet				W/Lock Cap (M6 x 12mm)
2.	185-5555	6	Rod, Push	9.	181-9076	1	Gear, Idle (Includes Bushing)
3.			Camshaft Assy (Includes Parts Marked *)	10.	185-7385	1	Bushing, Idle Gear
	A030B482	1	(Spec A-B)	11.	185-5563	1	Spacer
	A045Y575	1	(Spec C)	12.	185-5564	1	Ring, Retaining
4.	185-5924	1	*Bearing, Ball	13.	185-5565	1	Shaft, Idle Gear
5.	185-5559	1	*Gear, Camshaft	14.	185-2387	3	Screw, Hex Washer Head Cap W/ Lock (M6 x 14mm)
6.	185-5560	1	*Key, Feather				
7.	185-5561	1	*Plate, Retaining				
8.	185-2386	2	Screw, Hex Washer Head				

* - Parts Included in Camshaft Assy.

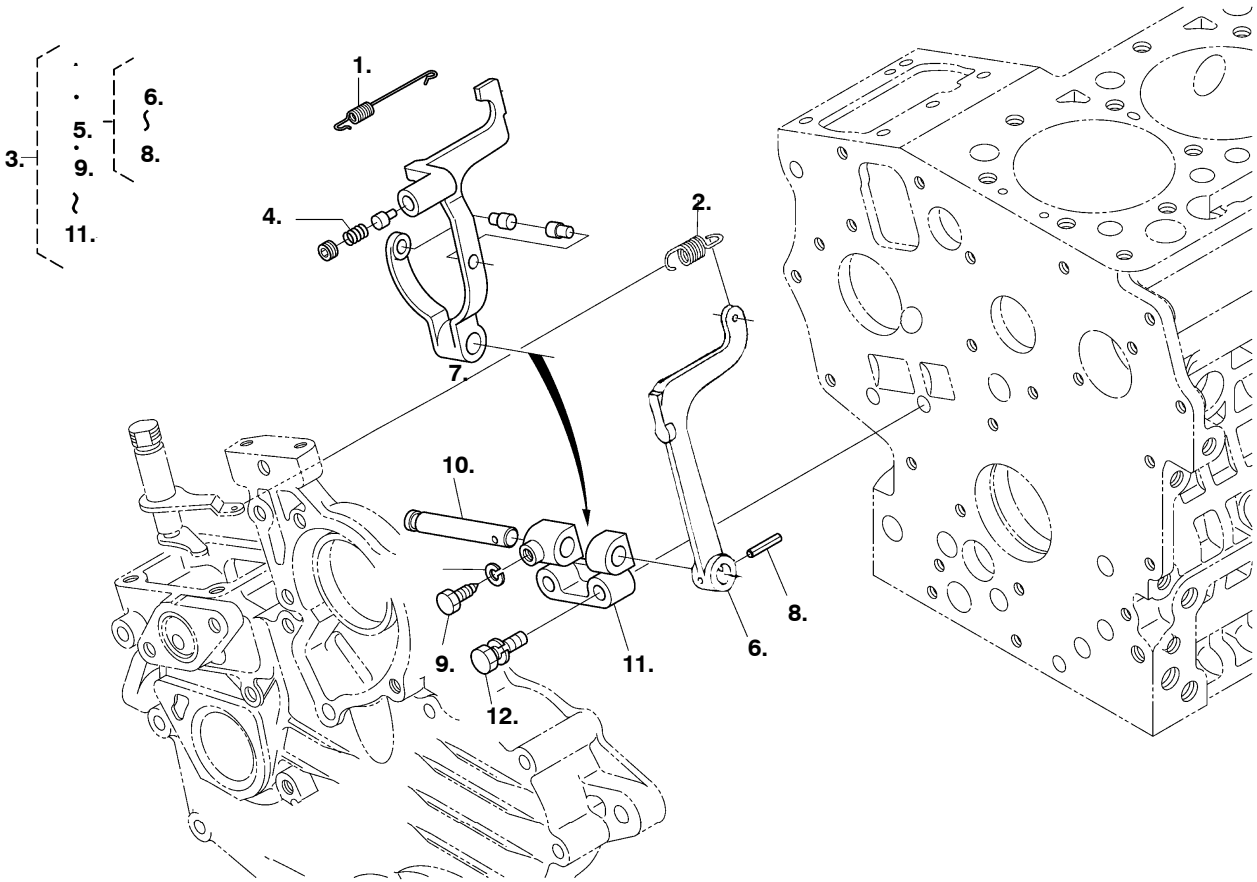
Main Bearing Holders



REF NO.	PART NO.	QTY USED	PART DESCRIPTION	REF NO.	PART NO.	QTY USED	PART DESCRIPTION
1.	232-4193	1	Assy Bearing ,Main	9.	185-2559	8	Bolt, Bearing Case
2.	185-5515	6	Screw, Hex Head Cap	10.	232-4192	1	Assy, Bearing Case Main
3.	185-5580	1	Bearing Main	11.	185-5581	2	Bearing Main
4.	185-5438	1	Gasket, Bearing Case	12.	A030B484	1	Holder, Main Center Bearing
5.	185-5516	1	Cover, Bearing Case	13.	181-9046	2	Bolt, Bearing Case
6.	509-0381	1	Seal, Oil				
7.	101-0872	1	Gasket, Case Cover				
8.	185-2390	8	Bolt, Bearing Case				

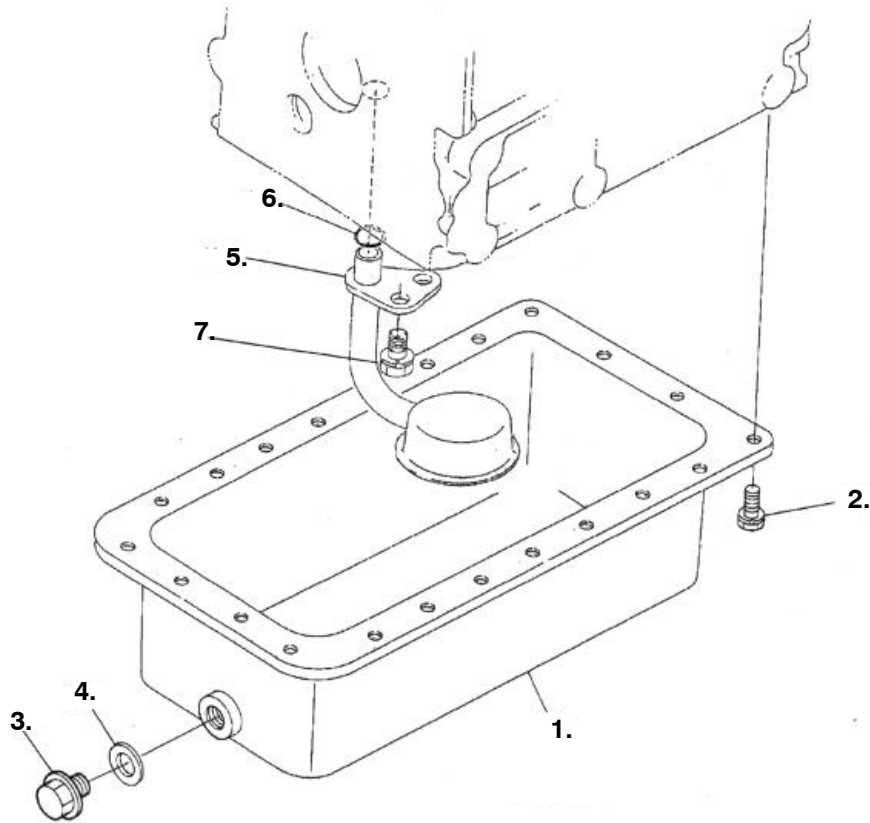
* - Parts Included in Fork Lever Assy.

Fork Lever



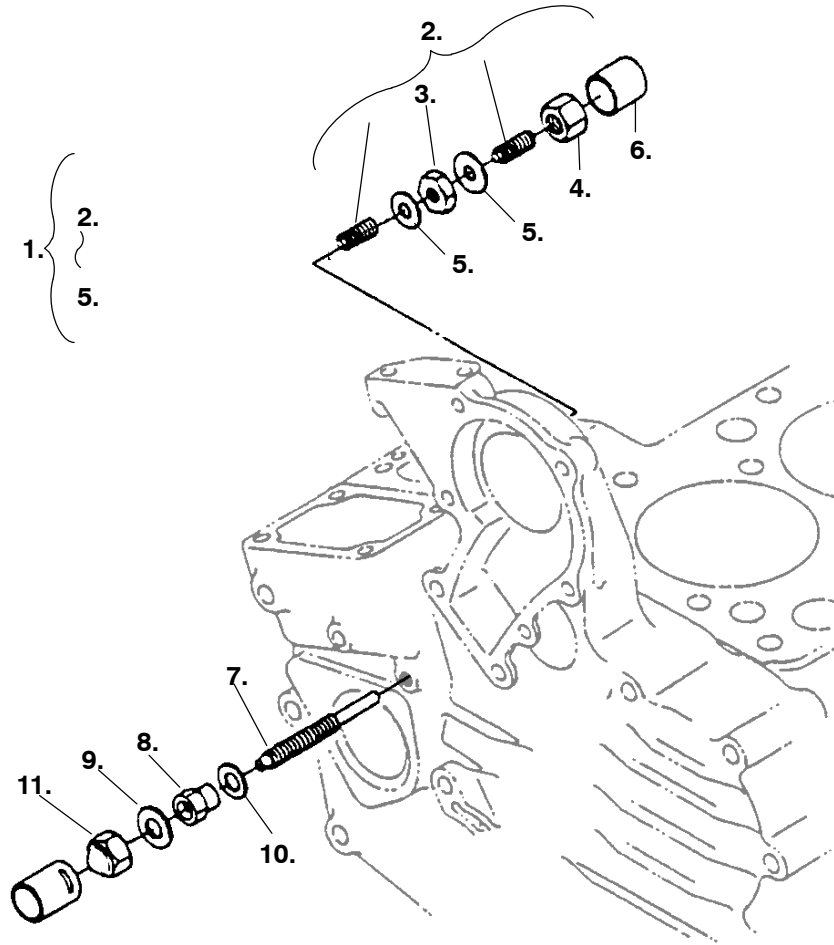
REF NO.	PART NO.	QTY USED	PART DESCRIPTION	REF NO.	PART NO.	QTY USED	PART DESCRIPTION
1.	A030B486	1	Spring, Start	6.	185-5702	1	*Lever, Outer Fork
2.	185-5754	1	Spring, Governor	7.	185-5703	1	*Shaft
3.			Lever Assy, Fork (Includes Parts Marked *)	8.	185-5696	1	*Pin, Spring
	A030B488	1	(MDKBJ)	9.	181-9039	1	*Screw, Hex Head Cap
	A043T610	1	(MDKBW)	10.	185-2379	1	*Washer, Spring Lock
4.	A030B502	1	*Spring	11.	185-5704	1	Holder, Fork Lever
5.	185-5701	1	*Lever Assy, Outer Fork (Includes Lever, Shaft and Pin)	12.	185-2393	2	Screw, Hex Head Cap (M6 x 35mm)

Oil Pan



REF NO.	PART NO.	QTY USED	PART DESCRIPTION	REF NO.	PART NO.	QTY USED	PART DESCRIPTION
1.	A030B504	1	Pan, Oil	5.	A030B513	2	Filter, Oil
2.	185-2387	1	Bolt	6.	185-7421	1	O-Ring
3.	517-0418	1	Plug, Drain	7.	185-6956	1	Bolt
4.	517-0448	1	Gasket				

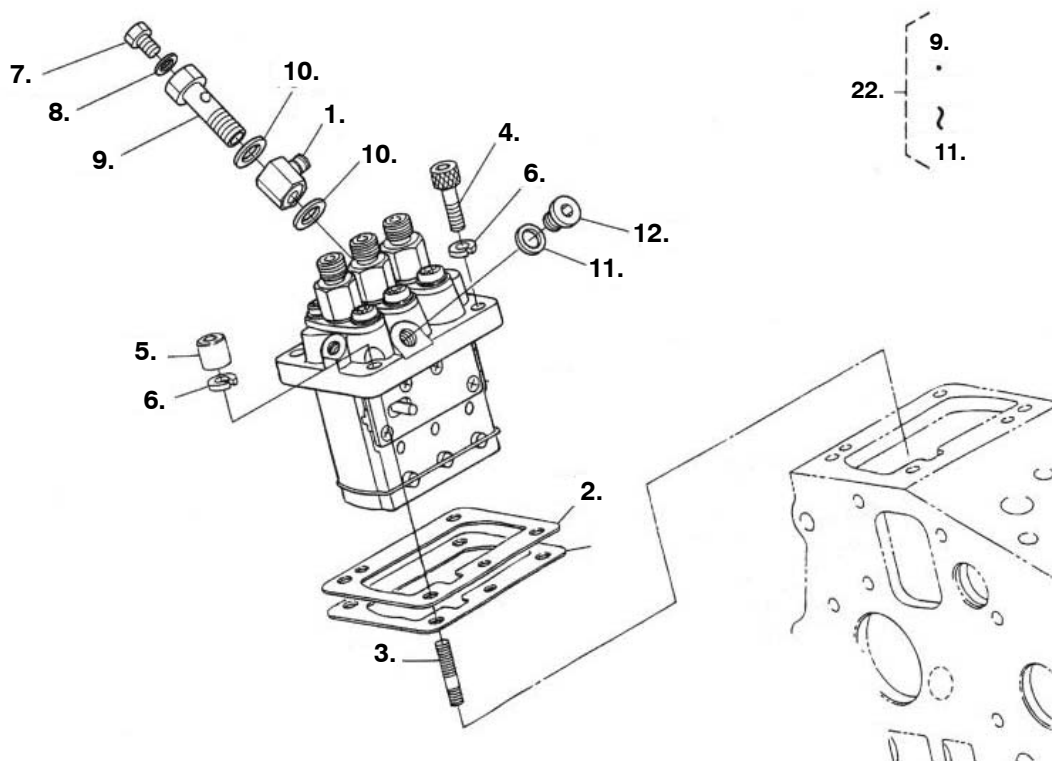
Speed Control



REF NO.	PART NO.	QTY USED	PART DESCRIPTION	REF NO.	PART NO.	QTY USED	PART DESCRIPTION
1.	181-9056	1	Assy, Idle Apparatus (Includes Parts Marked *)	7.	181-9057	1	Bolt, Adjusting
2.	185-5680	1	*Assy, Adjusting Bolt (Includes Parts Marked +)	8.	185-6931	1	Nut, Lock
3.	181-9041	1	+*Nut, Hex	9.	185-2284	1	Gasket
4.	185-5681	1	+*Nut, Hex	10.	185-7313	1	Gasket
5.	185-2338	2	+*Gasket	11.	185-5685	1	Nut
6.	185-5682	1	+Cap				

* - Parts Included in Idle Assy.

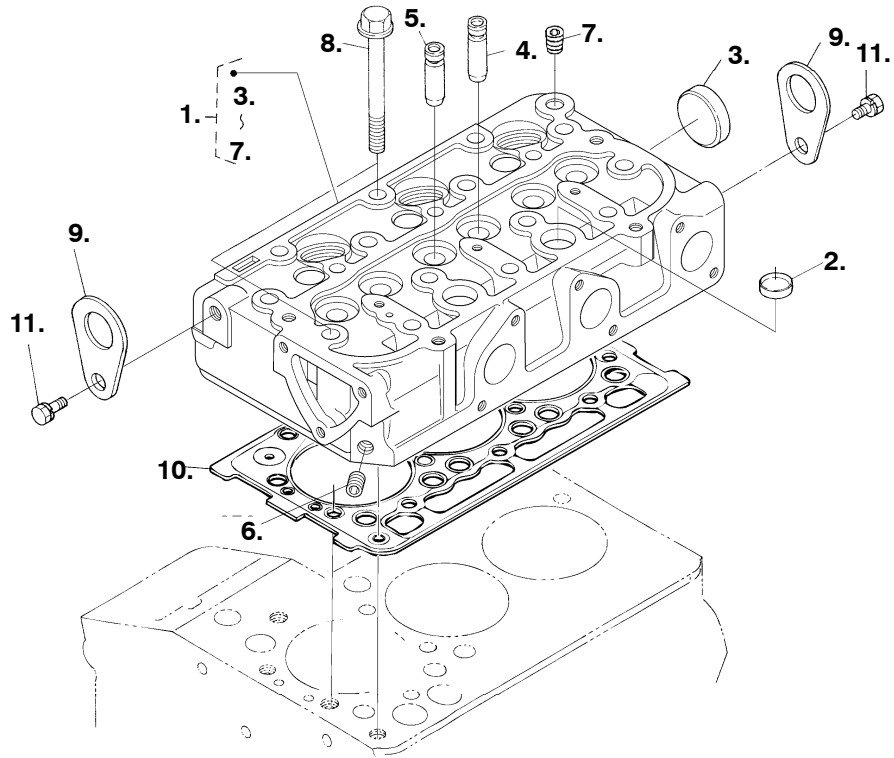
Injection Pump



REF NO.	PART NO.	QTY USED	PART DESCRIPTION	REF NO.	PART NO.	QTY USED	PART DESCRIPTION
1.	185-5626	1	Joint	12.	185-6888	1	*Plug
2.			Shim, Injection Pump	13.	185-2353	1	+Key, Feather
	147-0970	1	0.175mm	14.	185-2163	1	+Circlip, Governor Sleeve
	181-9086	1	0.20mm	15.	185-5632	1	+Case, Governor Ball
	181-9087	1	0.25mm	16.	185-2357	32	+Ball
	181-9088	1	0.30mm	17.	185-5633	4	+Ball
	147-0971	1	0.350mm	18.	185-5631	1	+Sleeve, Governor
3.	185-5624	2	Stud	19.	185-5630	1	+Gear, Injection Pump
4.	800-6549	2	Screw, Socket Head Cap	20.	185-5635	1	Plate, Retaining
5.	185-5625	2	Nut, Cap	21.	185-2386	2	Screw, Hex Lock Washer Cap (M6 x 12mm)
6.	185-6759	4	Washer, Spring Lock	22.	A030B519	1	Pump Assy, Injection
7.	185-5662	1	*Screw				
8.	185-5663	1	*Gasket				
9.	185-5660	1	*Screw, Hollow				
10.	185-5661	2	*Gasket				
11.	185-5820	1	*Gasket				

* - Parts Included in Fuel Camshaft Assy.

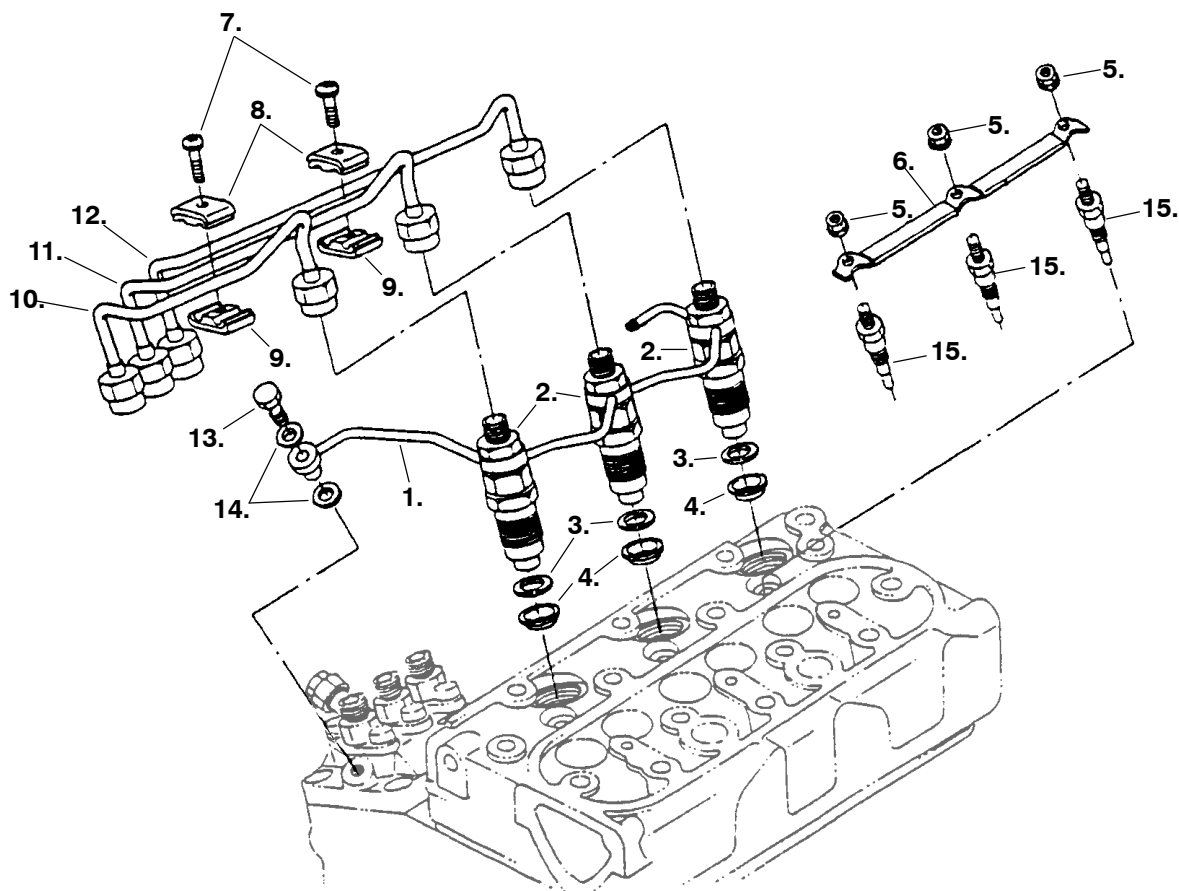
Cylinder Head



REF NO.	PART NO.	QTY USED	PART DESCRIPTION	REF NO.	PART NO.	QTY USED	PART DESCRIPTION
1.			Head Assy, Cylinder (Includes Parts Marked *)	7.	185-5502	1	Plug, Pipe
	A030B521	1	(Spec A-B)	8.	185-5503	14	Bolt, Cylinder Head
	A045Y568	1	(Spec C)	9.	185-2414	1	Eye, Lifting
2.	185-2413	2	*Cap, Sealing	10.	110-4131	1	Gasket, Cylinder Head
3.	185-2411	1	*Cap, Sealing	11.	185-2563	2	Bolt
4.	185-5501	3	*Guide, Exhaust Valve				
5.	185-5500	3	*Guide, Intake Valve				
6.	185-2188	1	*Plug, Pipe				

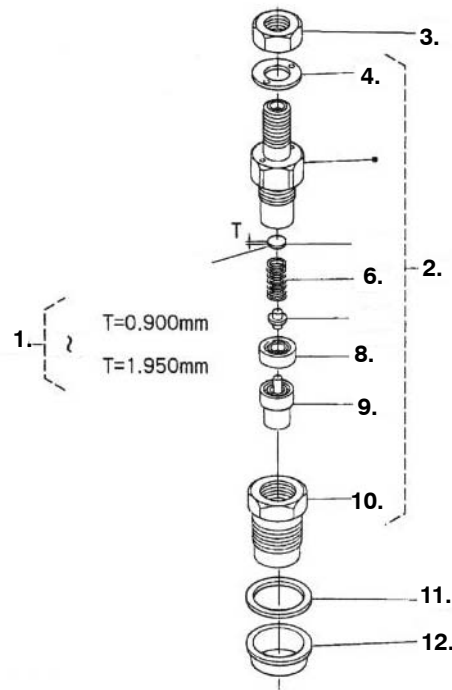
* - Parts Included in Cylinder Head Assy.

Injection Nozzle



REF NO.	PART NO.	QTY USED	PART DESCRIPTION	REF NO.	PART NO.	QTY USED	PART DESCRIPTION
	181-9084	1	Kit, Holder Nozzle (Includes Parts Mark *)	8.	185-5614	2	Clamp, Top Pipe
1.	181-9202	1	Pipe, Overflow	9.	185-5612	2	Clamp, Bottom Pipe
2.			*Holder, Nozzle	10.	501-1118	1	Pipe, Injection
	185-6738	3	(Spec A-B)	11.	501-1119	1	Pipe, Injection
	A045Y560	3	(Spec C)	12.	501-1131		Pipe, Injection
3.	185-5337	3	*Gasket	13.	185-7082	1	Screw, Air Bleeder
4.	185-5985	3	*Seal, Heat	14.	185-2284	2	O'Ring
5.	185-5615	3	Nut, Flange	15.			Plug, Glow
6.	181-9178	1	Cord, Glow Plug		185-5412	3	(Spec A-B)
7.	185-2385	2	Screw, Pan Head Machine W/Lock Washer		A045Y557	3	(Spec C)

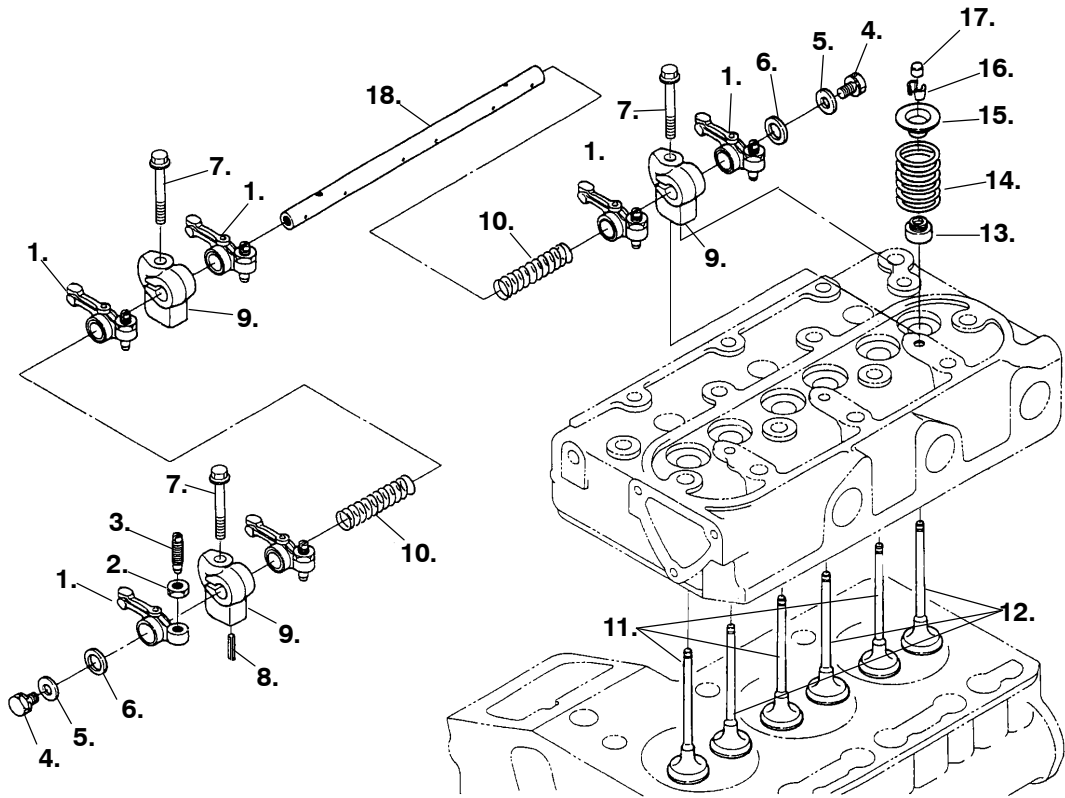
Injection Nozzle Components



REF NO.	PART NO.	QTY USED	PART DESCRIPTION	REF NO.	PART NO.	QTY USED	PART DESCRIPTION
1.	181-9084	3	Kit, Holder Nozzle		185-5392	3	1.600 mm
	185-5363	3	Washer Assy		185-5393	3	1.625 mm
	185-5364	3	0.900 mm		185-5394	3	1.650 mm
	185-5365	3	0.925 mm		185-5395	3	1.675 mm
	185-5366	3	0.950 mm		185-5396	3	1.700 mm
	185-5367	3	0.975 mm		185-5397	3	1.725 mm
	185-5368	3	1.000 mm		185-5398	3	1.750 mm
	185-5369	3	1.025 mm		185-5399	3	1.775 mm
	185-5370	3	1.050 mm		185-5400	3	1.800 mm
	185-5371	3	1.075 mm		185-5401	3	1.825 mm
	185-5372	3	1.100 mm		185-5402	3	1.850 mm
	185-5373	3	1.125 mm		185-5403	3	1.875 mm
185-5374	3	1.150 mm		185-5404	3	1.900 mm	
185-5375	3	1.175 mm		185-5405	3	1.925 mm	
185-5376	3	1.200 mm		185-5406	3	1.950 mm	
185-5377	3	1.225 mm		2.	185-6738	3	Holder Assy, Nozzle (Includes Parts Marked *)
185-5378	3	1.250 mm					
185-5379	3	1.275 mm		3.	185-5616	3	*Nut, Hex
185-5380	3	1.300 mm		4.	185-5621	3	*Washer
185-5381	3	1.325 mm		5.	185-5364	3	*Washer, Adjusting
185-5382	3	1.350 mm		6.	185-5617	3	*Spring
185-5383	3	1.375 mm		7.	185-5619	3	*Rod, Push
185-5384	3	1.400 mm		8.	185-5618	3	*Spacer
185-5385	3	1.425 mm		9.	185-5622	3	*Nozzle
185-5386	3	1.450 mm		10.	185-5620	3	*Nut, Nozzle
185-5387	3	1.475 mm		11.	185-5337	3	Gasket
185-5388	3	1.500 mm		12.	185-5985	3	Seal, Heat
185-5389	3	1.525 mm					
185-5390	3	1.550 mm					
185-5391	3	1.575 mm					

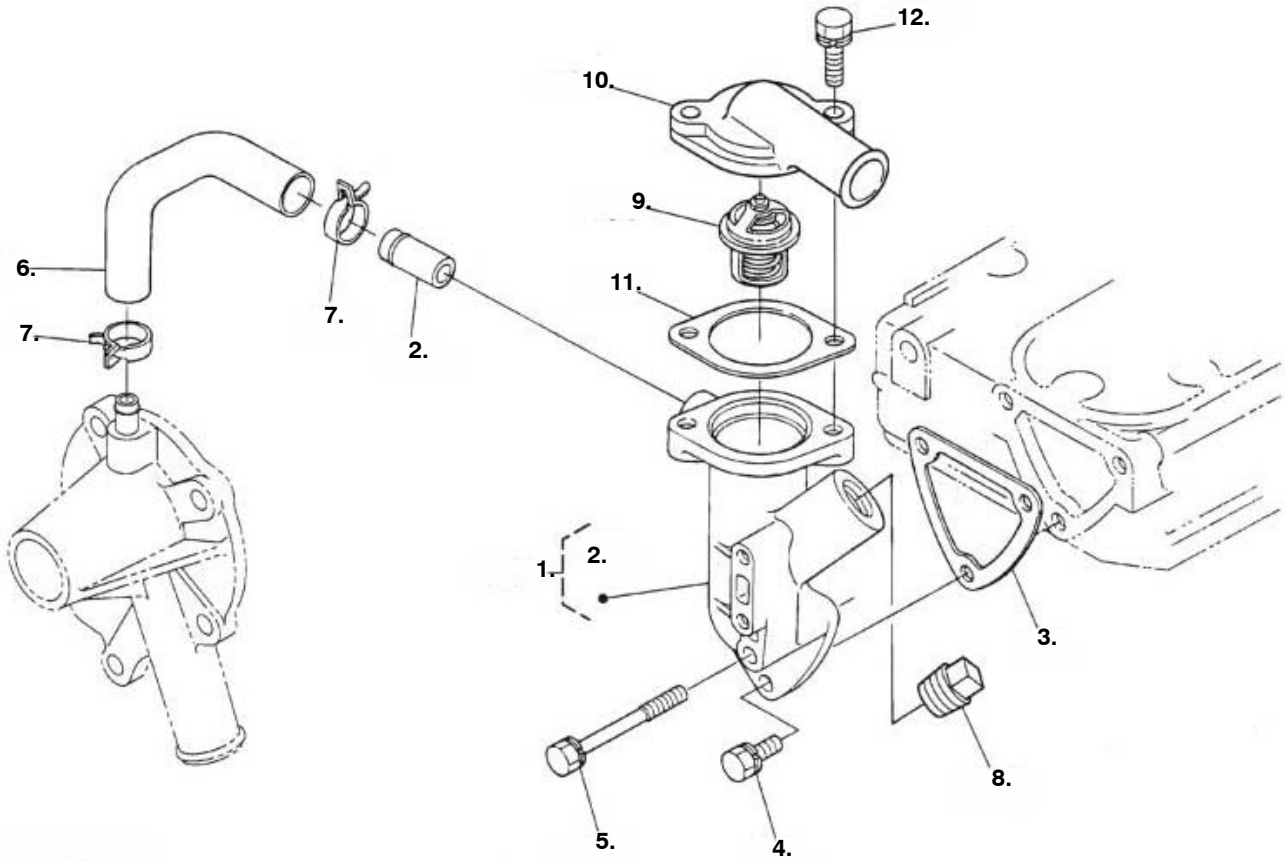
* - Parts Included in Nozzle Holder Assy.

Rocker Arm



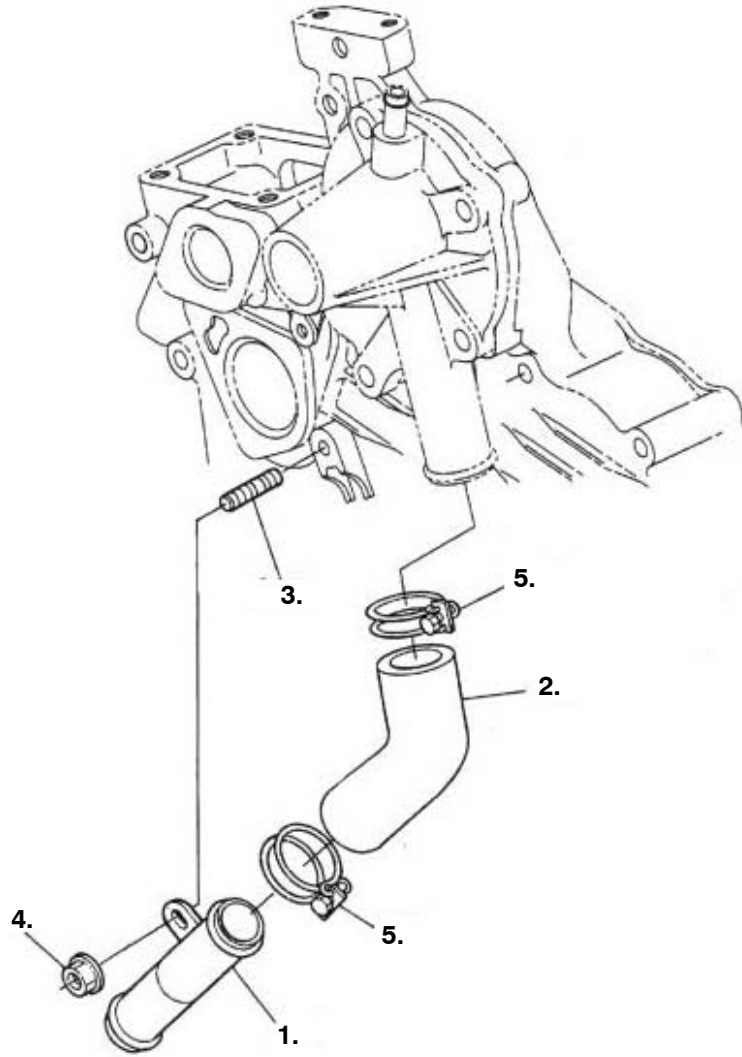
REF NO.	PART NO.	QTY USED	PART DESCRIPTION	REF NO.	PART NO.	QTY USED	PART DESCRIPTION
1.	185-5551	6	Arm, Rocker (Includes Nut and Screw)	9.	181-9251	3	Bracket, Rocker Arm
2.	185-5553	6	Nut	10.	185-5550	2	Spring, Rocker Arm
3.	185-5552	6	Screw, Adjusting	11.	110-3990	3	Valve, Intake
4.	185-7440	2	Screw, Hex Head Cap (M6 x 12mm)	12.	110-3991	3	Valve, Exhaust
5.	185-7395	2	Washer, Flat	13.	185-5348	6	Seal, Valve Stem
6.	185-7086	6	Washer, Flat	14.	185-5539	6	Spring, Valve
7.	181-9012	3	Bolt, Flange	15.	185-5540	6	Retainer, Valve Spring
8.	185-2351	1	Pin, Spring	16.	185-5541	6	Collet, Valve Spring
				17.	185-5542	6	Cap, Valve
				18.	185-7085	1	Shaft, Rocker Arm

Water Outlet



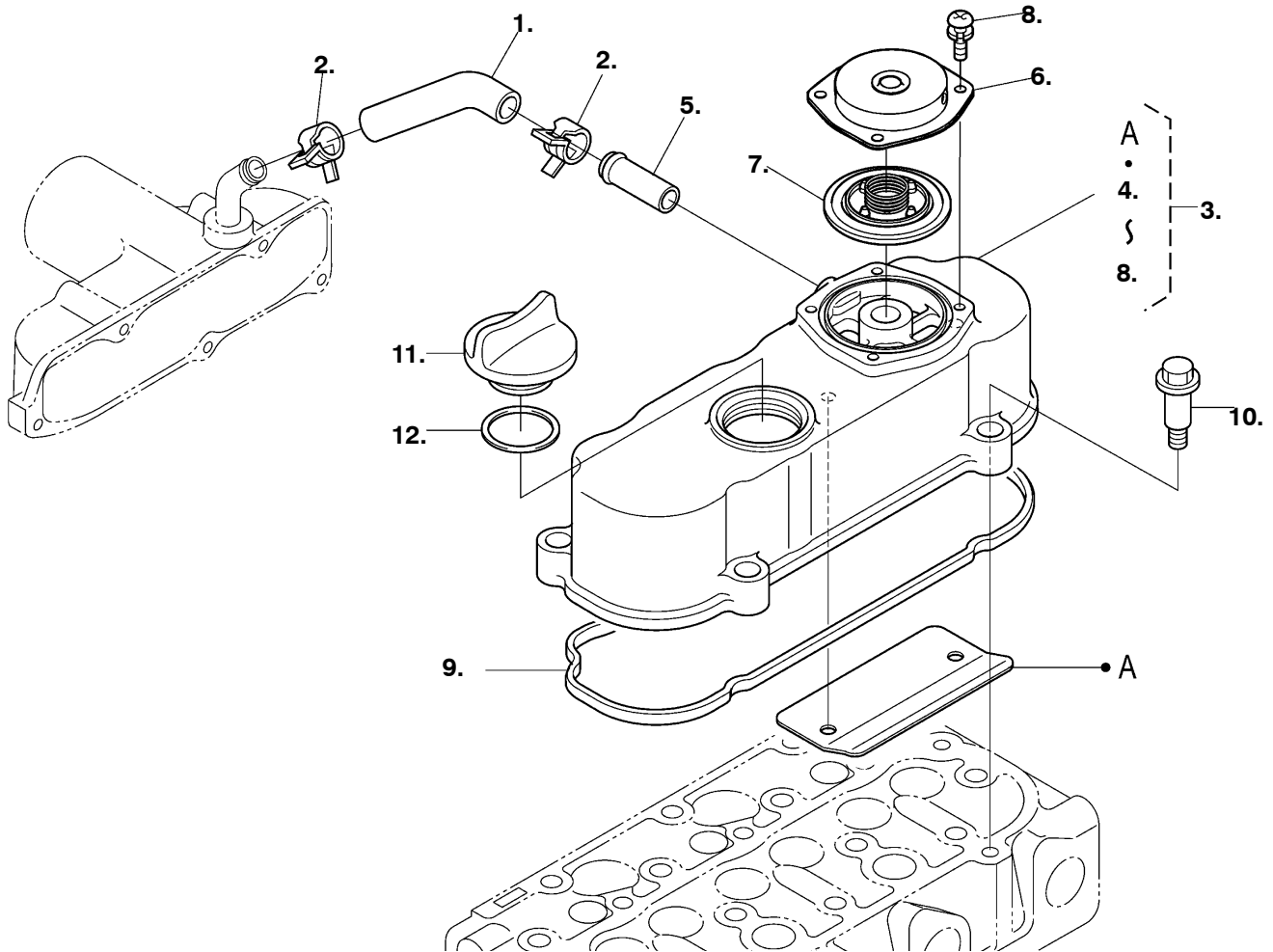
REF NO.	PART NO.	QTY USED	PART DESCRIPTION	REF NO.	PART NO.	QTY USED	PART DESCRIPTION
1.	130-5928	1	Flange, Water Pump (Includes Water Return Pipe)	7.	185-6667	2	Clamp, Hose
2.	181-9107	1	Pipe, Water Return	8.	185-5826	1	Sender, Water Temperature
3.	185-7393	1	Gasket, Water Flange	9.	185-5458	1	Assy, Thermostat
4.	185-2388	2	Bolt	10.	185-7208	1	Cover, Thermostat
5.	185-2394	1	Bolt	11.	185-2238	1	Gasket, Thermostat
6.	A030B523	1	Pipe, Water Return	12.	185-7084	2	Bolt

Water Pipe



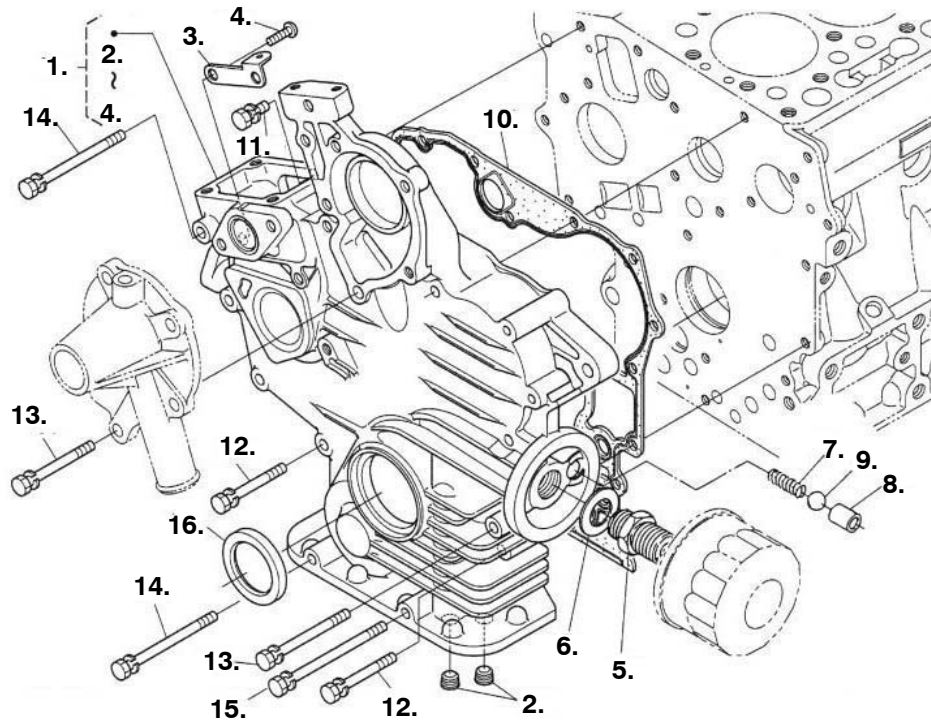
REF NO.	PART NO.	QTY USED	PART DESCRIPTION	REF NO.	PART NO.	QTY USED	PART DESCRIPTION
1.	185-5725	1	Pipe, Water	4.	185-7166	1	Nut, Flange
2.	185-5726	1	Pipe, Water	5.	181-9060	2	Band, Pipe
3.	185-5727	1	Stud				

Valve Cover



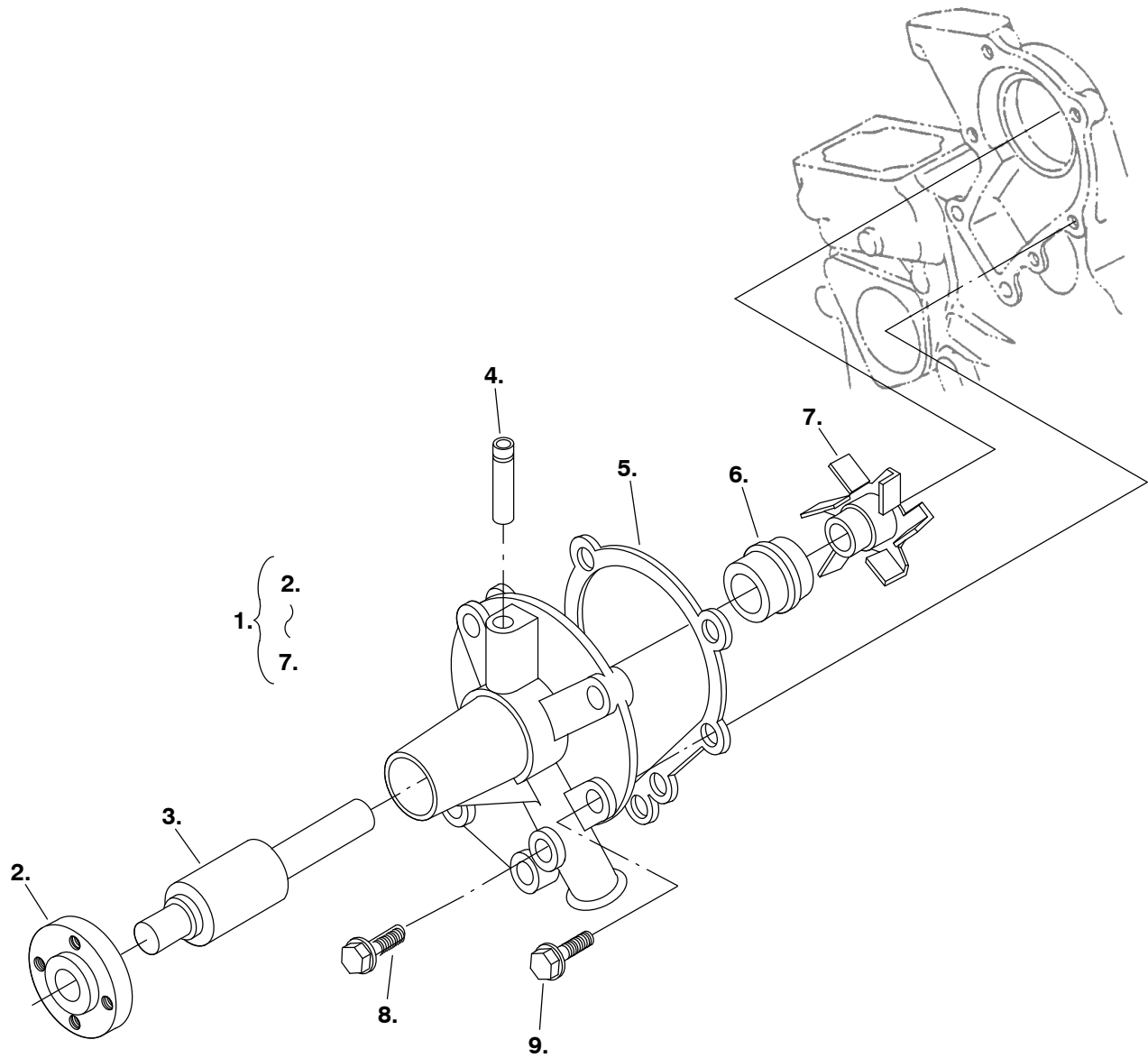
REF NO.	PART NO.	QTY USED	PART DESCRIPTION	REF NO.	PART NO.	QTY USED	PART DESCRIPTION
1.	181-9249	1	Tube, Breather	7.	123-2264	1	Comp. , Breather Valve
2.	181-9024	2	Clamp, Hose	8.	185-2384	4	Screw, w/ Washer
3.	181-9252	1	Assy, Cover Cylinder Head	9.	181-9253	1	Gasket, Head Cover
4.	134-5395	1	Cover, Cylinder Head	10.	800-6330	4	Bolt
5.	181-9107	1	Pipe, Water Return	11.	181-9000	1	Cap, Oil Filler
6.	181-9238	1	Cover, Breather	12.	185-7426	1	O'Ring

Gearcase



REF NO.	PART NO.	QTY USED	PART DESCRIPTION	REF NO.	PART NO.	QTY USED	PART DESCRIPTION
1.	A030B525	1	Gearcase Assy (Includes Pin and Plugs)	9.	181-9023	1	Ball
2.	185-2234	2	Plug, Pipe	10.	A030B530	1	Gasket, Gear Case
3.	A030B528	1	Stay, Start Spring	11.	185-2389	1	Bolt
4.	185-5747	2	Screw, Hex Head Cap	12.	185-2394	9	Bolt
5.	185-2124	1	Joint, Pipe	13.	185-5507	2	Bolt
6.	181-9064	1	Washer	14.	185-5745	2	Screw, Hex Head Cap
7.	185-5509	1	Spring	15.	800-6433	1	Screw, Hex Head Cap
8.	185-5510	1	Seat, Valve	16.	185-5410	1	Seal, Oil
				17.	517-0371	1	Plug, Oil Gauge (not shown)

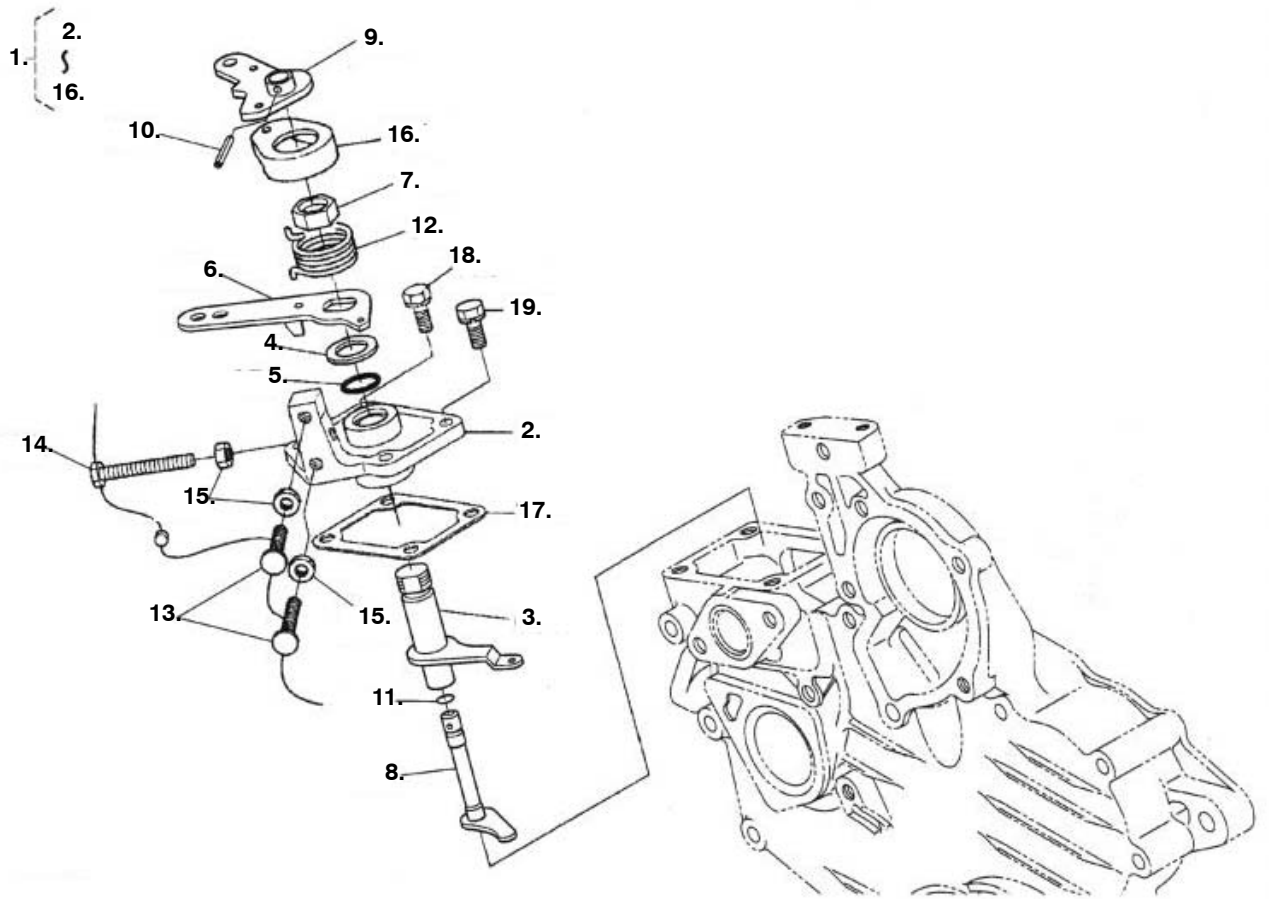
Water Pump Components



REF NO.	PART NO.	QTY USED	PART DESCRIPTION	REF NO.	PART NO.	QTY USED	PART DESCRIPTION
1.	A030B532	1	Pump, Water (Includes Parts Marked *)	7.	132-0493	1	*Impeller
2.	185-5712	1	*Flange, Water Pump	8.	185-5717	1	Bolt
3.	181-9066	1	*Bearing, Ball	9.	185-2559	4	Bolt
4.	185-5716	1	*Pipe, Return				
5.	132-0518	1	Gasket, Water Pump				
6.	185-5714	1	*Seal				

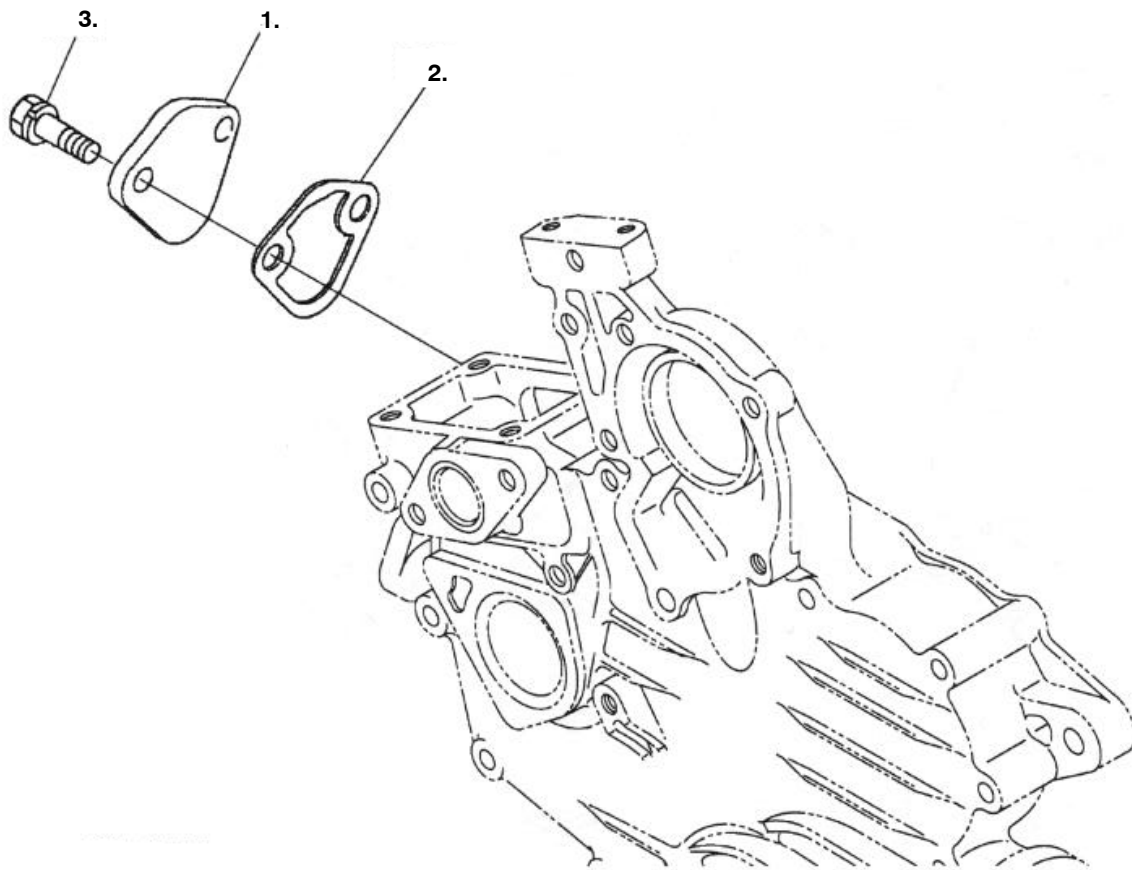
* - Parts Included in Water Pump.

Speed Control



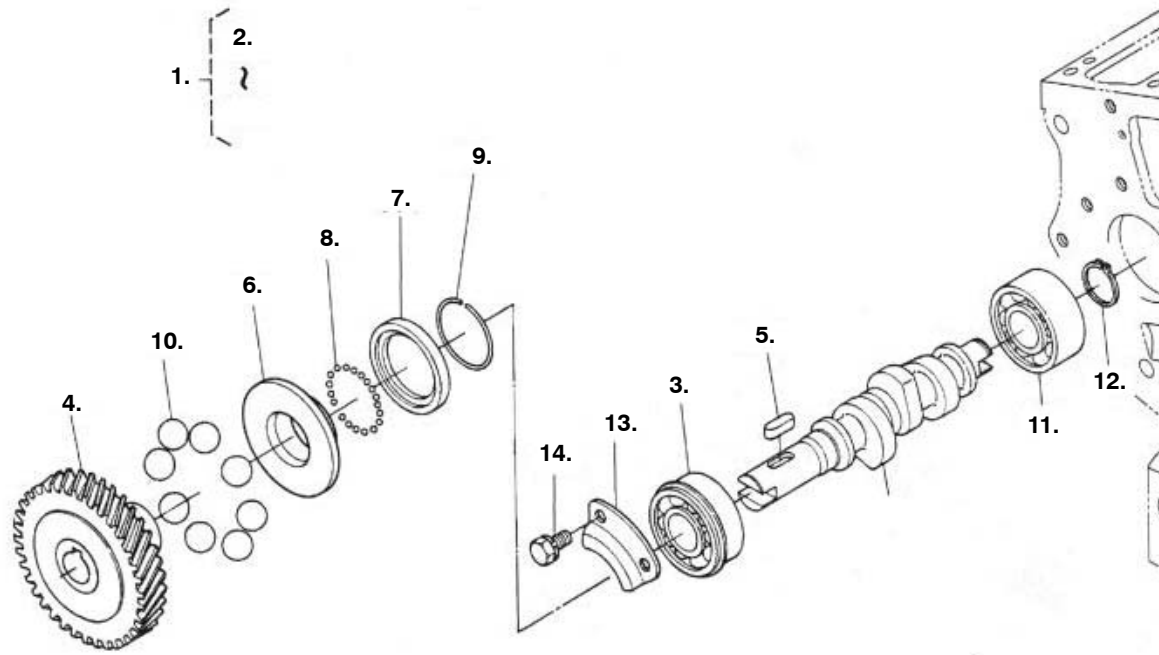
REF NO.	PART NO.	QTY USED	PART DESCRIPTION	REF NO.	PART NO.	QTY USED	PART DESCRIPTION
1.	A030B534	1	Speed Assy, Control	12.	A030B540	1	Spring, Return
2.	185-5687	1	Plate, Speed Control	13.	185-2342	1	Stopper
3.	A030B536	1	Lever, Governor	14.	185-2439	2	Bolt
4.	184-0057	1	Collar	15.	185-4255	3	Nut
5.	184-0019	1	O'Ring	16.	A030B542	1	Cap
6.	150-2975	1	Lever, Speed Control	17.	185-7080	1	Gasket, Control Plate
7.	860-2132	1	Nut	18.			Bolt
8.	A030B538	1	Shaft, Lever		181-9001	1	(Spec A-B)
9.	150-2974	1	Lever, Engine Stop		A045Y540	1	(Spec C)
10.	516-2142	1	Pin, Spring	19.	150-2972	3	Bolt
11.	184-0017	1	O'Ring				

Fuel Pump (Mechanical)



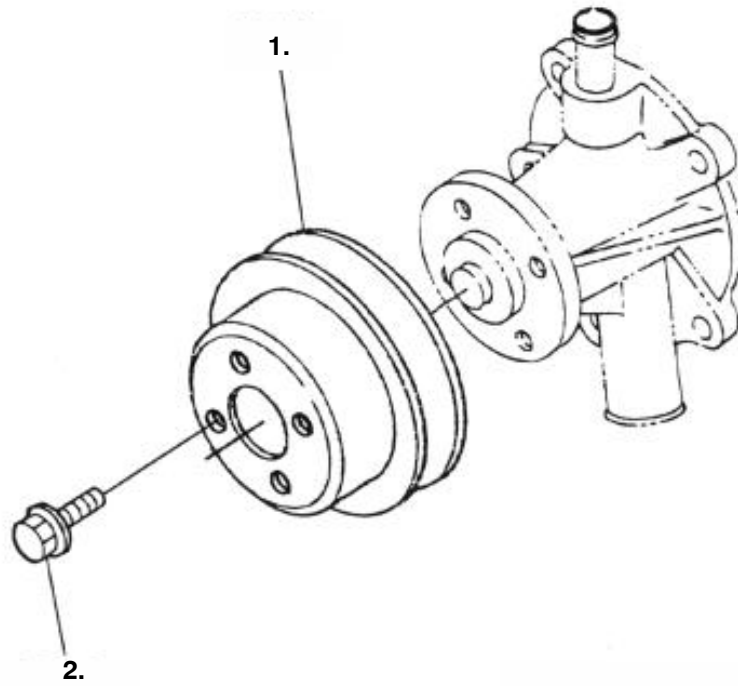
REF NO.	PART NO.	QTY USED	PART DESCRIPTION	REF NO.	PART NO.	QTY USED	PART DESCRIPTION
1.	185-5798	1	Cover	4.	A026K278	1	Filter, Fuel (Not Shown)
2.	185-6580	1	Gasket, Fuel Pump				
3.	185-2388	2	Bolt				

Fuel Camshaft and Governor Shaft



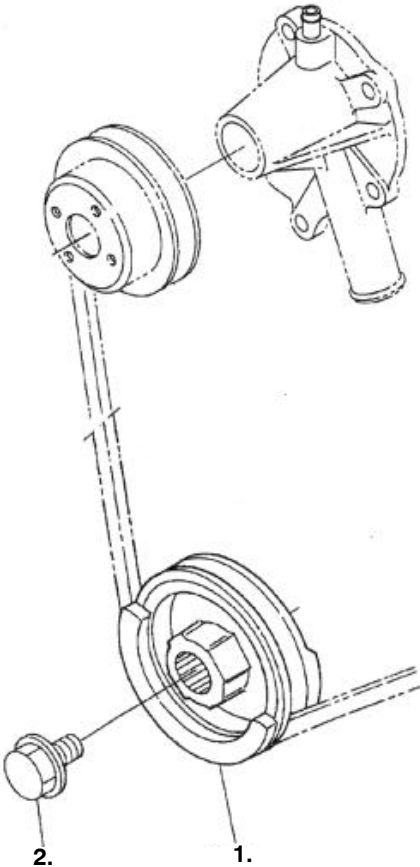
REF NO.	PART NO.	QTY USED	PART DESCRIPTION	REF NO.	PART NO.	QTY USED	PART DESCRIPTION
1.	A030B544	1	Camshaft Assy, Fuel	7.	185-5632	1	Case, Governor Ball
2.	181-9075	1	Camshaft, Fuel (Spec A-B)	8.	185-2357	32	Ball
	A045Y576	1	(Spec C)	9.	181-9038	1	Clip, Circle
3.	185-5629	1	Bearing, Ball	10.	185-5633	8	Ball
4.	185-5630	1	Gear, Injection Pump	11.	181-9182	1	Bearing, Ball
5.	185-2353	1	Key, Feather	12.	185-5634	1	Clip, Circle
6.	185-5631	1	Sleeve, Governor	13.	185-5635	1	Stopper, Fuel
				14.	185-2386	2	Bolt

Fan



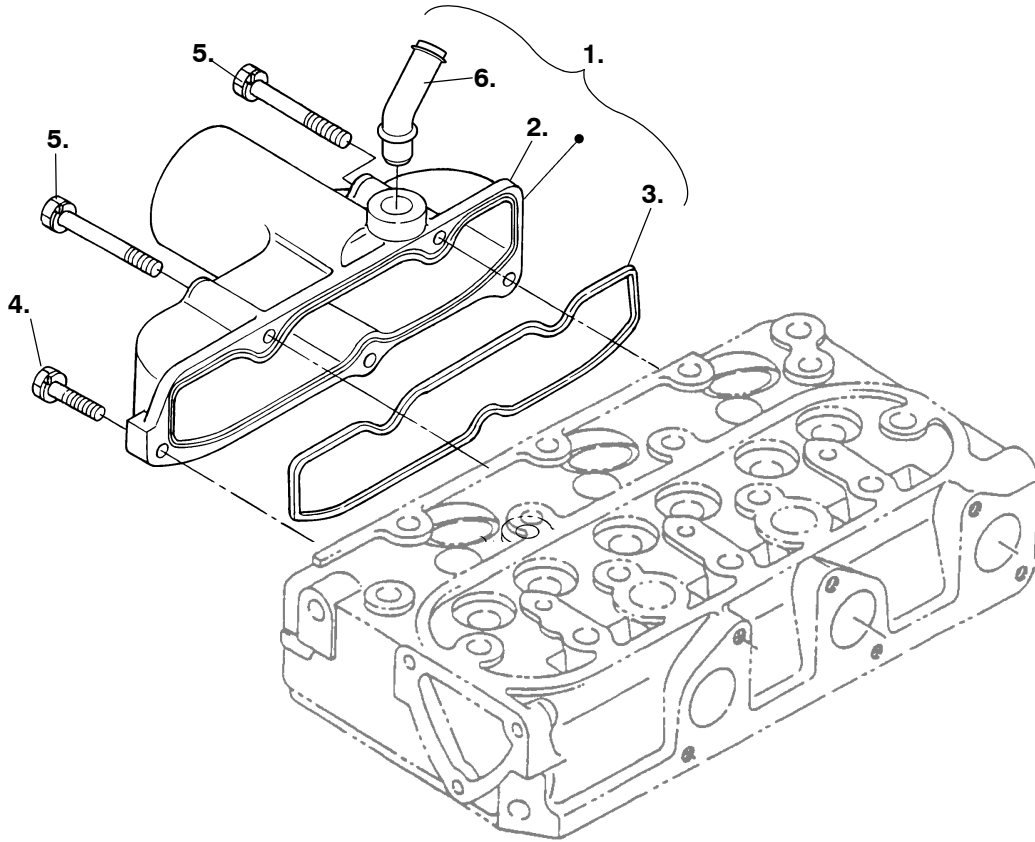
REF NO.	PART NO.	QTY USED	PART DESCRIPTION
1.	185-5707	1	Pulley,Fan
2.	185-2572	1	Screw, Hex Head Flange

Pulley



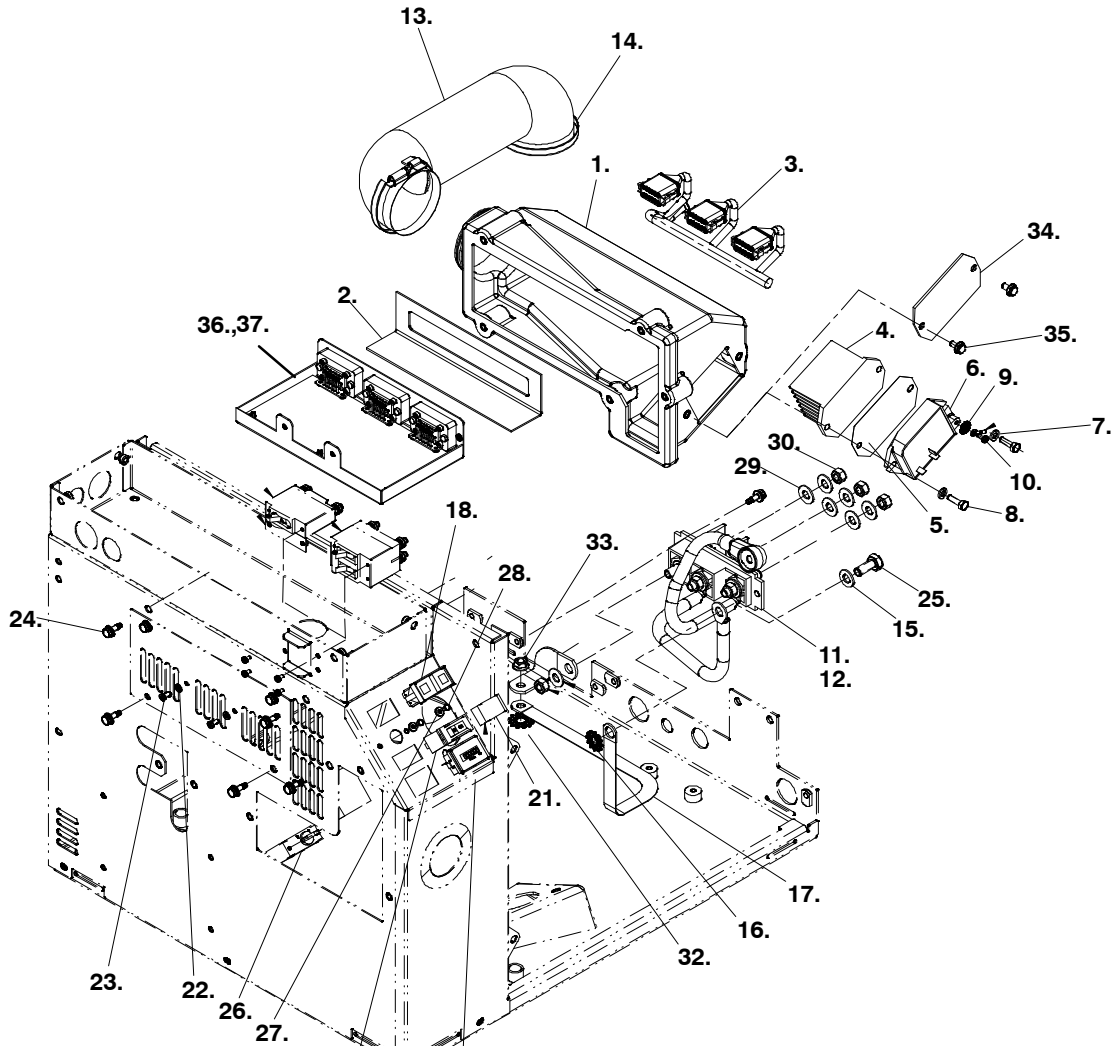
REF NO.	PART NO.	QTY USED	PART DESCRIPTION
1.	185-7083	1	Pulley, Fan Drive
2.	185-5709	1	Screw, Hex Head Flange

Inlet Manifold



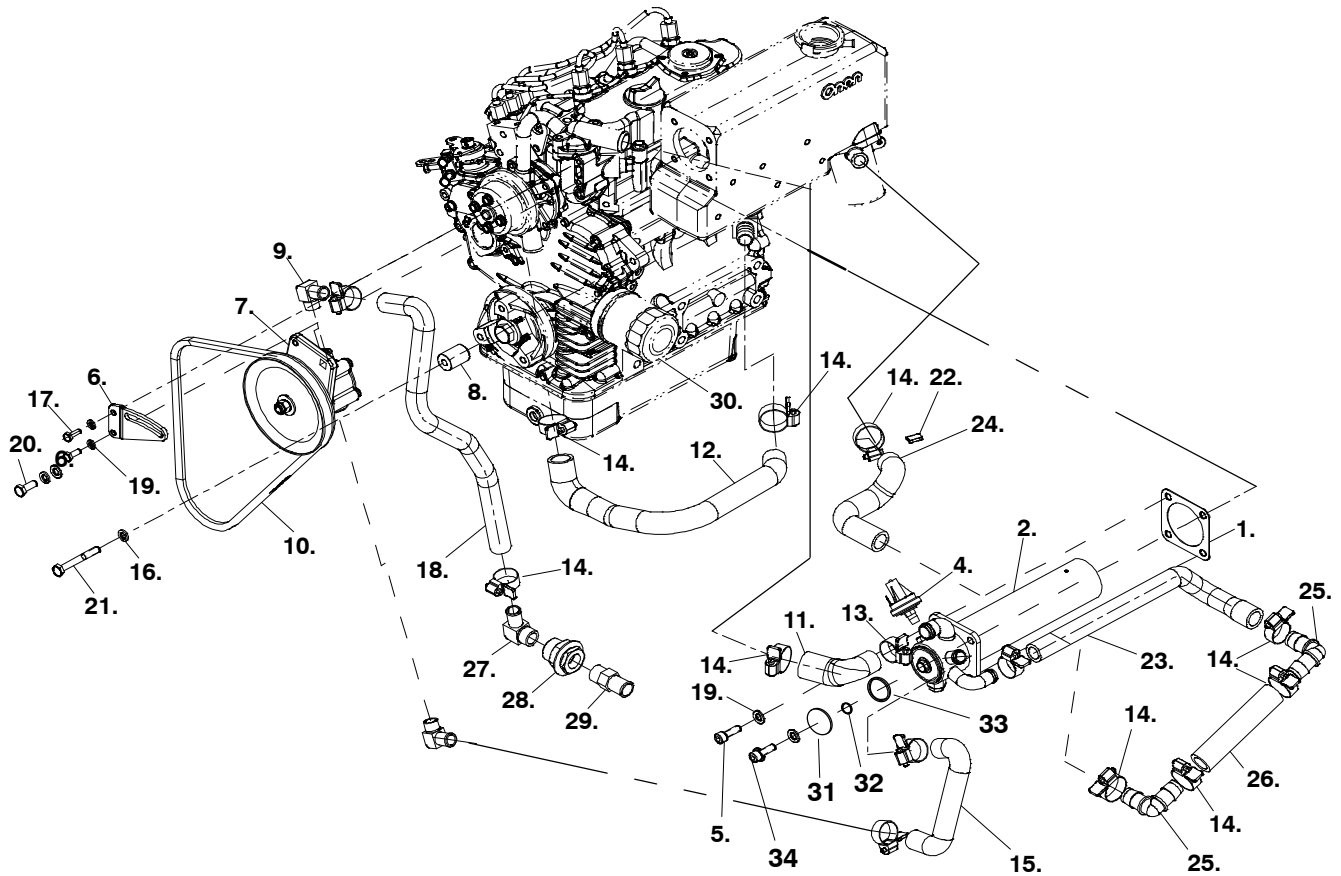
REF NO.	PART NO.	QTY USED	PART DESCRIPTION	REF NO.	PART NO.	QTY USED	PART DESCRIPTION
1.	181-9250	1	Manifold Assy, Inlet (Includes Manifold and Gasket)	4.	185-2389	2	Bolt
2.	185-5831	1	Manifold, Inlet	5.	185-5893	3	Bolt
3.	181-9069	1	Gasket, Manifold	6.	181-9256	1	Pipe, Breather

Control Panel



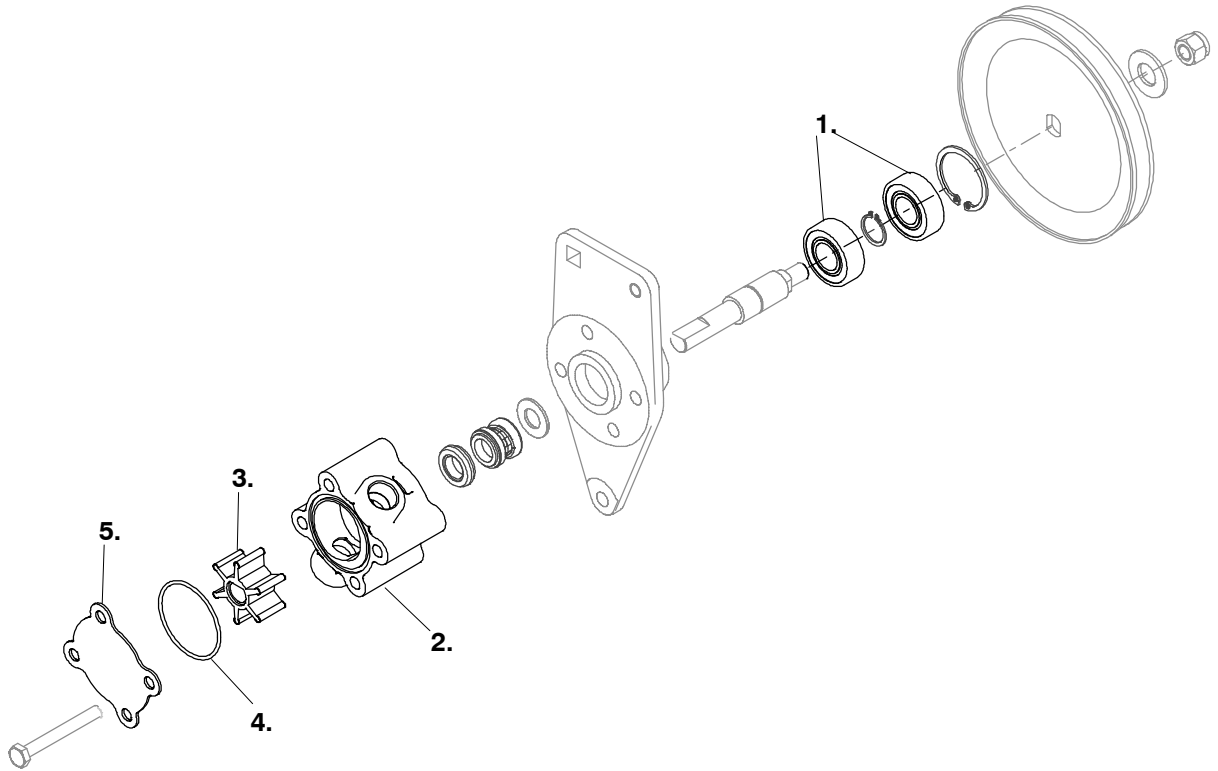
REF NO.	PART NO.	QTY USED	PART DESCRIPTION	REF NO.	PART NO.	QTY USED	PART DESCRIPTION
1.	A029J606	1	Resonator, Air Intake	21.	320-1952	1	Boot, Rocker
2.	140-3470	1	Gasket	22.	526-1002	2	Washer, Flat
3.	A029X224	1	Harness, Engine	23.	815-0862	2	Screw, Pan Head
4.	305-0995	1	Heatsink	24.	800-6395-01	9	Screw, Hex Head
5.	363-0205	1	Pad, Heat Sink	25.	815-0600	1	Screw, Hex Head
6.	305-1006	1	Regulator, Voltage	26.			Breaker, Circuit
7.	526-2081	2	Washer, Flat		320-2362	1	(MDKBJ)
8.	800-2034	2	Screw, Hex Head		A041F392	1	(MDKBW)
9.	856-0002	1	Washer, Lock	27.	526-0399-05	2	Washer, Flat
10.	823-0002-04	1	Screw, Pan Head	28.	800-0309-10	2	Screw, Hex Head
11.	A029C238	1	Harness, Battery	29.	526-0029	6	Washer, Flat
12.	332-2112-01	1	Insulator, Terminal (included in Battery Harness)	30.	862-0003	3	Nut, Hex
13.	503-2315	1	Hose, Intake	31.	337-2311	1	Strap, Electrical
14.	503-2415	2	Clamp	32.	856-0012	1	Washer, Lock
15.	526-2120	1	Washer, Flat	33.	870-2065-03	1	Nut, Hex Flange
16.	856-0010	1	Washer, Lock	34.	305-1005	1	Plate, Regulator
17.	337-2785	1	Strap, Electrical	35.	821-2096-02	1	Screw, Flange Head Lock
18.	308-1218	1	Switch, Rocker	36.	327-1691	1	*Board, Print Circuit
19.			Breaker, Circuit	37.	300-6396	1	Assy, Control (Parts includes label and PCB)
	320-2361	1	(MDKBJ)	38.	320-2144-01	1	*Breaker, Circuit (AC)
	A041F391	1	(MDKBW)		320-2161-03	1	*Guard, Circuit Breaker
20.	302-2048	1	Meter, Run Time				

Cooling System



REF NO.	PART NO.	QTY USED	PART DESCRIPTION	REF NO.	PART NO.	QTY USED	PART DESCRIPTION
1.	130-5139	1	Gasket	18.	503-2193	1	Hose, Inlet
2.	130-5491	1	Exchanger, Heat (Parts included marked *)	19.	850-0114-54	2	Washer, Lock
3.	526-0399-60	5	Washer, Flat	20.	800-3017-19	1	Screw, Hex Head
4.	309-0667	1	Switch, Pressure	21.	800-2065	1	Screw, Hex Head
5.	815-0916	3	Screw, Socket Head	22.	503-2823	14	Clamp, Hose
6.	A028Y432	1	Bracket, Pump	23.	503-2396	1	Hose, Coolant
7.	132-0430	1	Pump, Raw Water	24.	A028Z133	1	Hose, Coolant
8.	132-0411-01	1	Spacer	25.	502-1687	2	Connector, Hose
9.	502-0942	2	Elbow, 90 Degree	26.	A029B062	1	Hose, Coolant
10.	511-0206	1	Belt	27.	A029K913	1	Connector, Hose
11.	503-2160	1	Hose, Coolant	28.	A029C509	1	Connector, Bulkhead
12.	503-2301	1	Hose, Coolant	29.	502-1031	1	Fitting, Hose Connector
13.	503-1135	7	Clamp	30.	185-7444	1	Oil Filter (ref A002H768)
14.	503-1136	7	Clamp	31.	130-5169	1	* Cap
15.	503-2162	1	Hose, Coolant	32.	509-0351	1	* O'Ring
16.	850-0114-53	2	Washer, Lock	33.	130-5170	1	* Gasket
17.	800-3017-03	2	Screw, Hex Head	34.	800-0317	1	* Screw

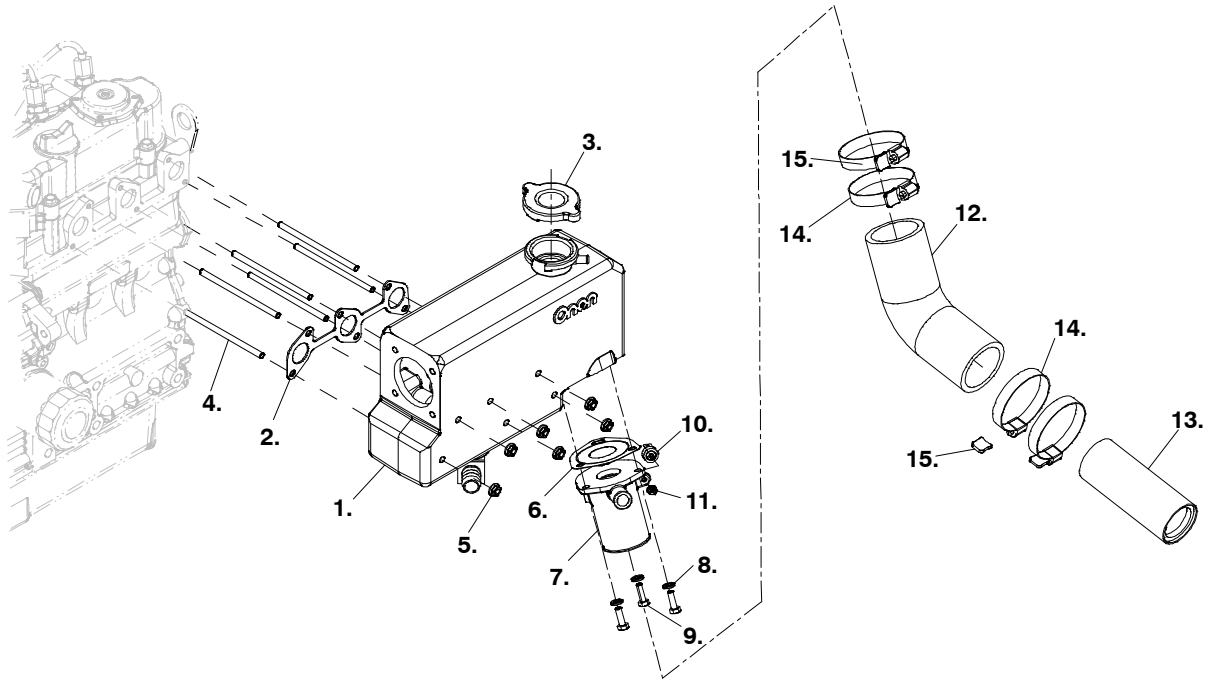
Raw Water Pump Components Kit



REF NO.	PART NO.	QTY. USED	PART DESCRIPTION
	132-0428	1	Kit, Water Pump (Major)
1.	132-0398	2	Bearing, Pump
2.	132-0429	1	Body, Water Pump
3.	132-0407	1	Impeller
4.	132-0410	1	*O'Ring
5.	132-0408	1	Cover, Pump
	541-1524	1	Repair Kit, Water Pump (Minor)
6.	132-0500	1	*Impeller

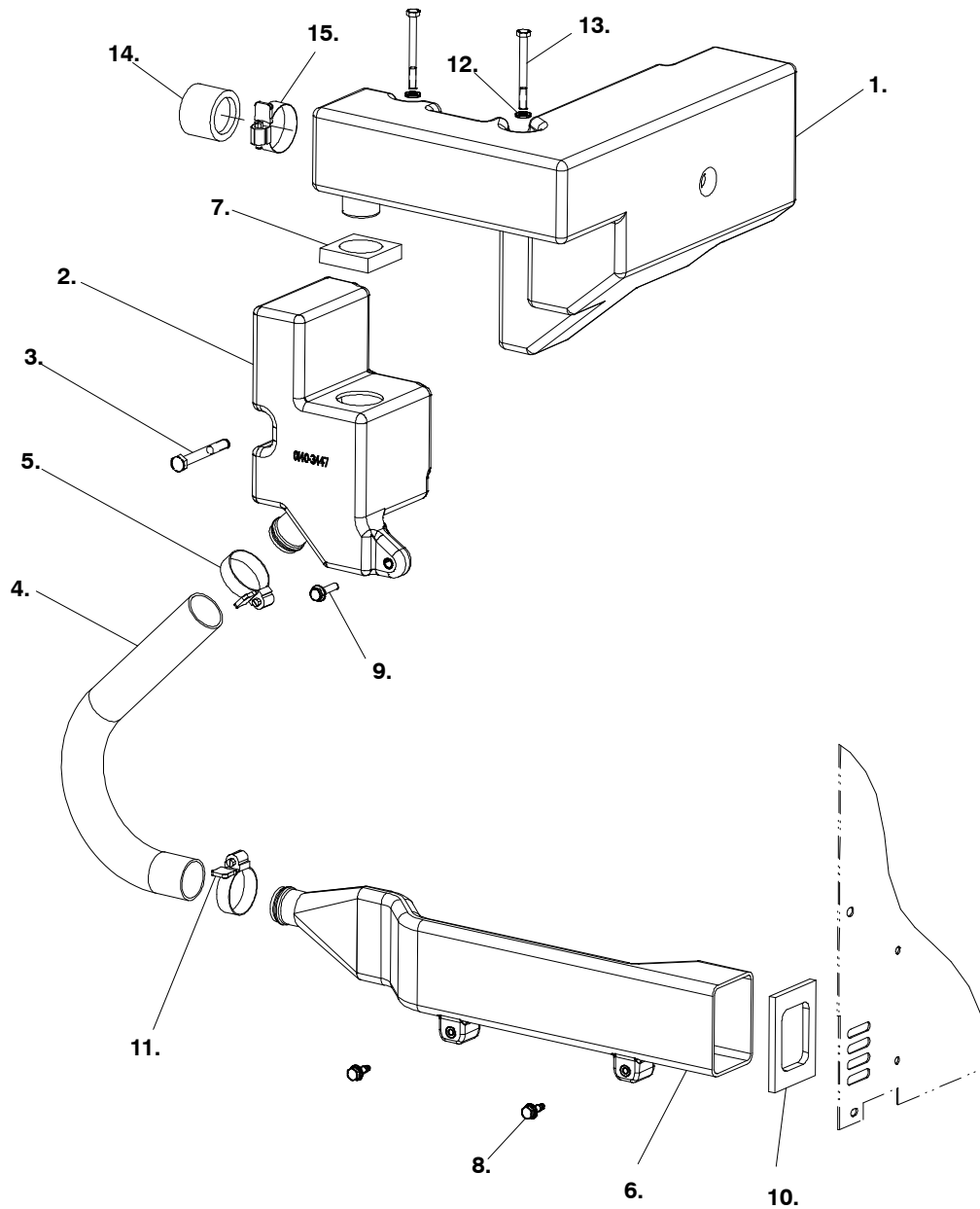
* - Parts Included in Repair Kit, Water Pump (Minor)

Exhaust



REF NO.	PART NO.	QTY USED	PART DESCRIPTION	REF NO.	PART NO.	QTY USED	PART DESCRIPTION
1.	154-3117-S1	1	Manifold, Exhaust	8.	526-0399-58	3	Washer, Flat
2.	185-6852	1	Gasket	9.	800-3017-04	3	Screw, Hex Head
3.	130-3721	1	Cap, Pressure	10.	309-0597-03	1	Switch, Temperature
4.	520-1021	6	Stud	11.	870-0221	1	Nut
5.	870-2065-02	6	Nut, Hex Flange	12.	503-2177	1	Hose, Exhaust
6.	155-3720	1	Gasket (Spec A)	13.	155-4065	1	Adaptor, Exhaust
	A034L712	1	(Begin Spec B)	14.	503-1142	4	Clamp
7.	154-3163	1	Manifold, Mixer	15.	503-2823	4	Clamp, Hose

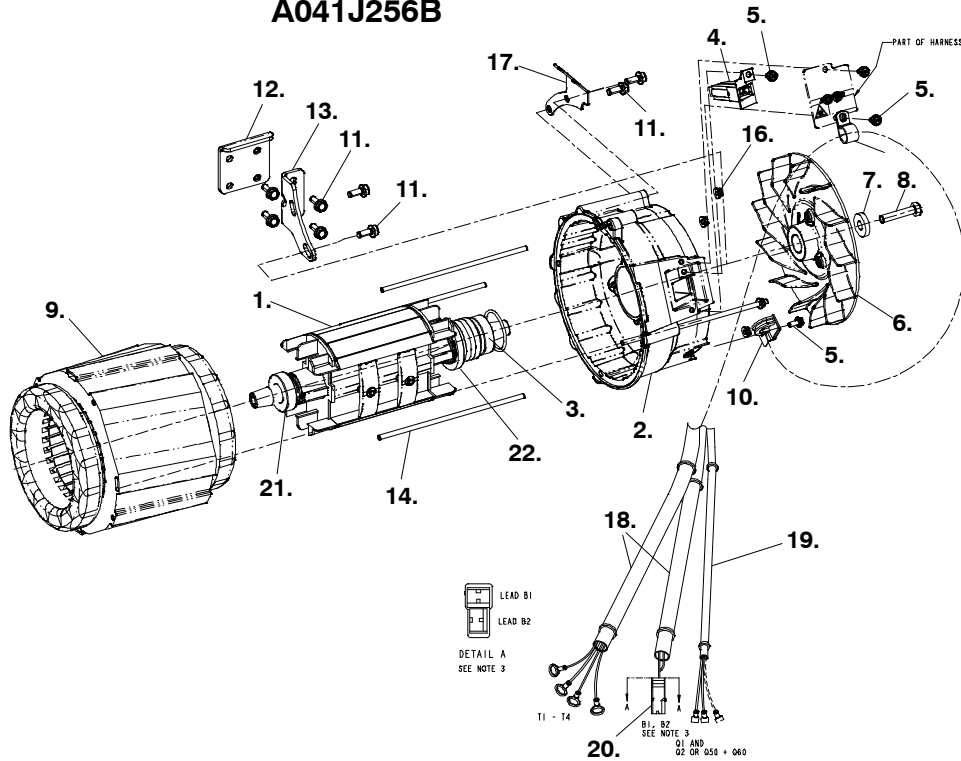
Intake



REF NO.	PART NO.	QTY USED	PART DESCRIPTION	REF NO.	PART NO.	QTY USED	PART DESCRIPTION
1.	A028W474	1	Resonator, Intake	8.	800-6395-01	2	Screw, Hex Head
2.	140-3447	1	Resonator, Intake	9.	821-2035	1	Screw, Flange Head Lock
3.	800-2066	1	Screw, Hex Head	10.	140-3476	1	Gasket
4.	503-2305	1	Hose, Intake	11.	503-2823	3	Clamp, Hose
5.	503-1137	2	Clamp	12.	526-0399-58	2	Washer, Flat
6.	140-3437	1	Tube, Resonator	13.	800-2043	2	Screw, Hex Head
7.	140-3439	1	Gasket	14.	140-2898	1	Sleeve, Air Intake
				15.	503-0398	1	Clamp

Generator MDKBJ Spec A-C MDKBW Spec A-B

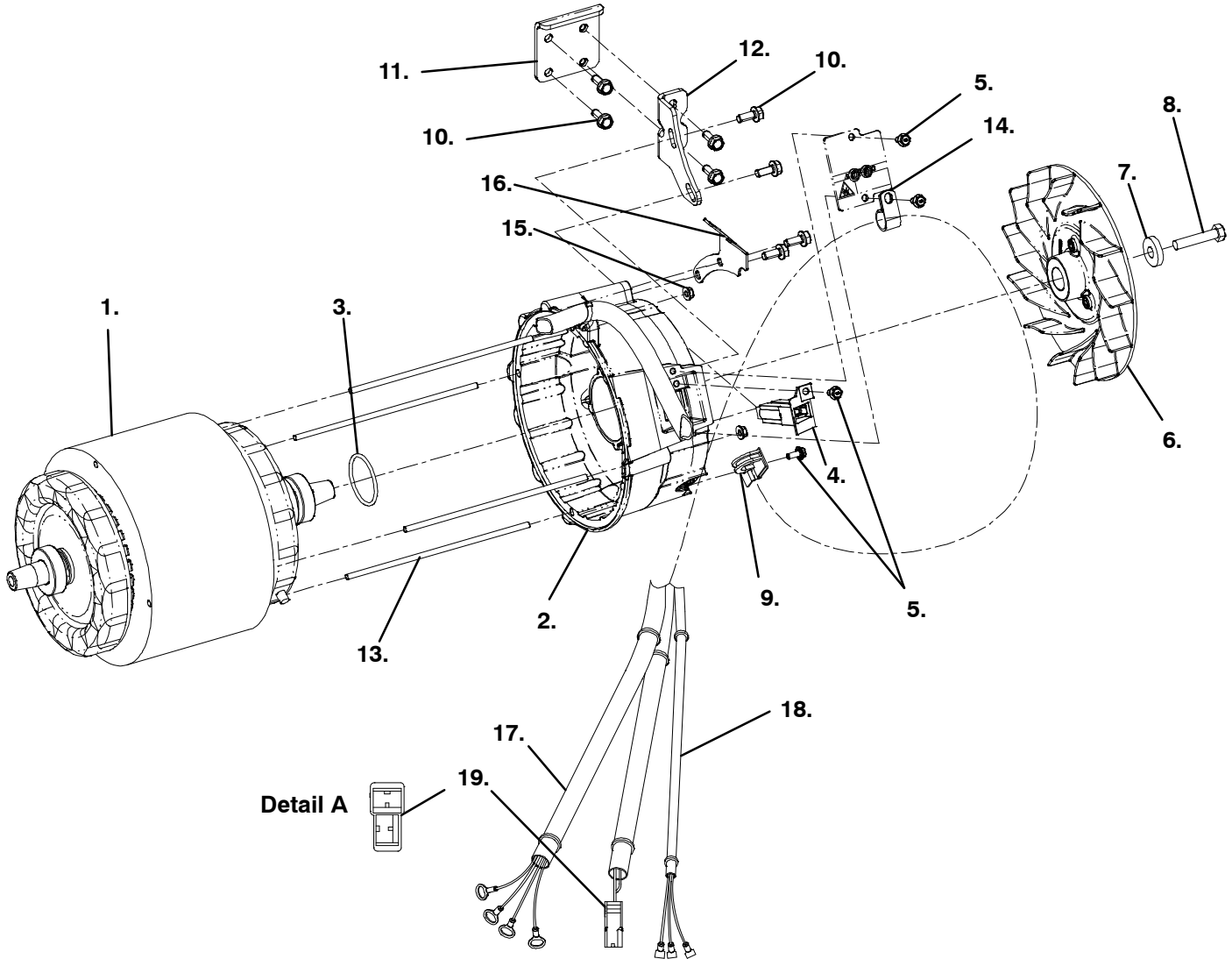
A041J256B



REF NO.	PART NO.	QTY USED	PART DESCRIPTION	REF NO.	PART NO.	QTY USED	PART DESCRIPTION
1.		1	Generator	13.	403-5155-02	1	Bracket
	A029B648	1	Rotor, Generator (MDKBJ)	14.	520-2642-03	4	Stud
	201-3607-02	1	(MDKBW)	15.	332-1356	1	Clamp, Loop
2.	A029W995	1	Endbell, Generator	16.	870-2065-02	4	Nut, Hex Flange
3.	509-0420	1	Seal, O Ring	17.	403-5156-02	1	Bracket
4.	212-1303	1	Block, Brush	18.	898-1386	1	Sleeve, Insulation
5.	815-0753	4	Screw, Hex Head	19.			Sleeve, Convoluted
6.	205-0300	1	Fan		898-1195-02	1	(MDKBJ)
7.	526-0017	1	Washer, Flat		898-1196-10	1	(MDKBW)
8.	800-2091	1	Screw, Hex Head	20.	332-4285	1	Housing, Terminal
9.	220-4610-04	1	Stator, Generator	21.	510-0208	2	Bearing, Ball
10.	508-1265	1	Grommet	22.	204-0149	1	Ring, Collector
11.	815-0829-06	8	Screw, Hollow Head				
12.	403-4632-02	1	Bracket				

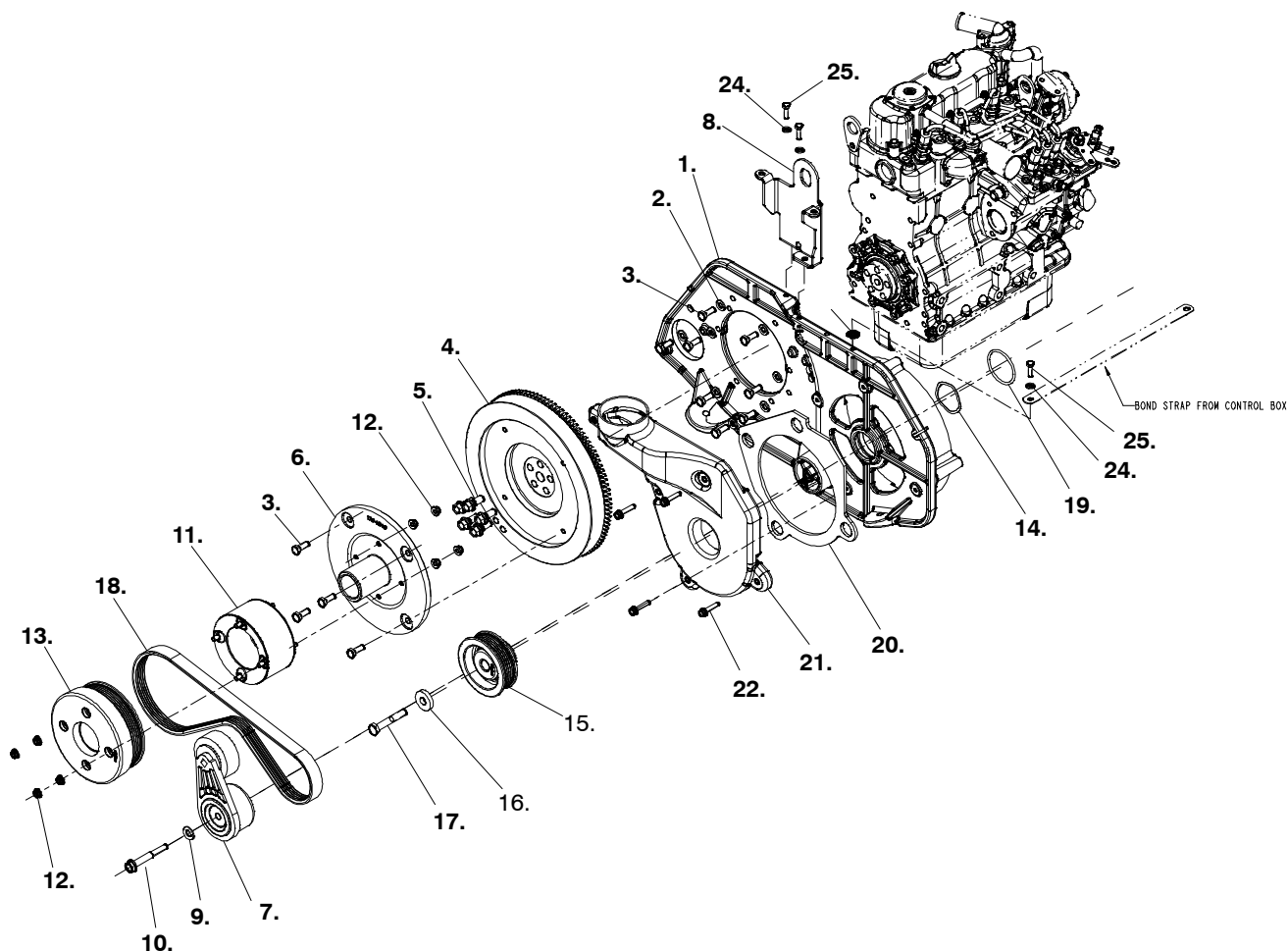
Note- Rotor and Stator parts for MDKBJ Spec A-C and MDKBW Spec A-B are now only available to order as combined generator parts: MDKBJ = A053T941, MDKBW = A053T962.

**Generator MDKBJ Begin Spec D
MDKBW Begin Spec C**



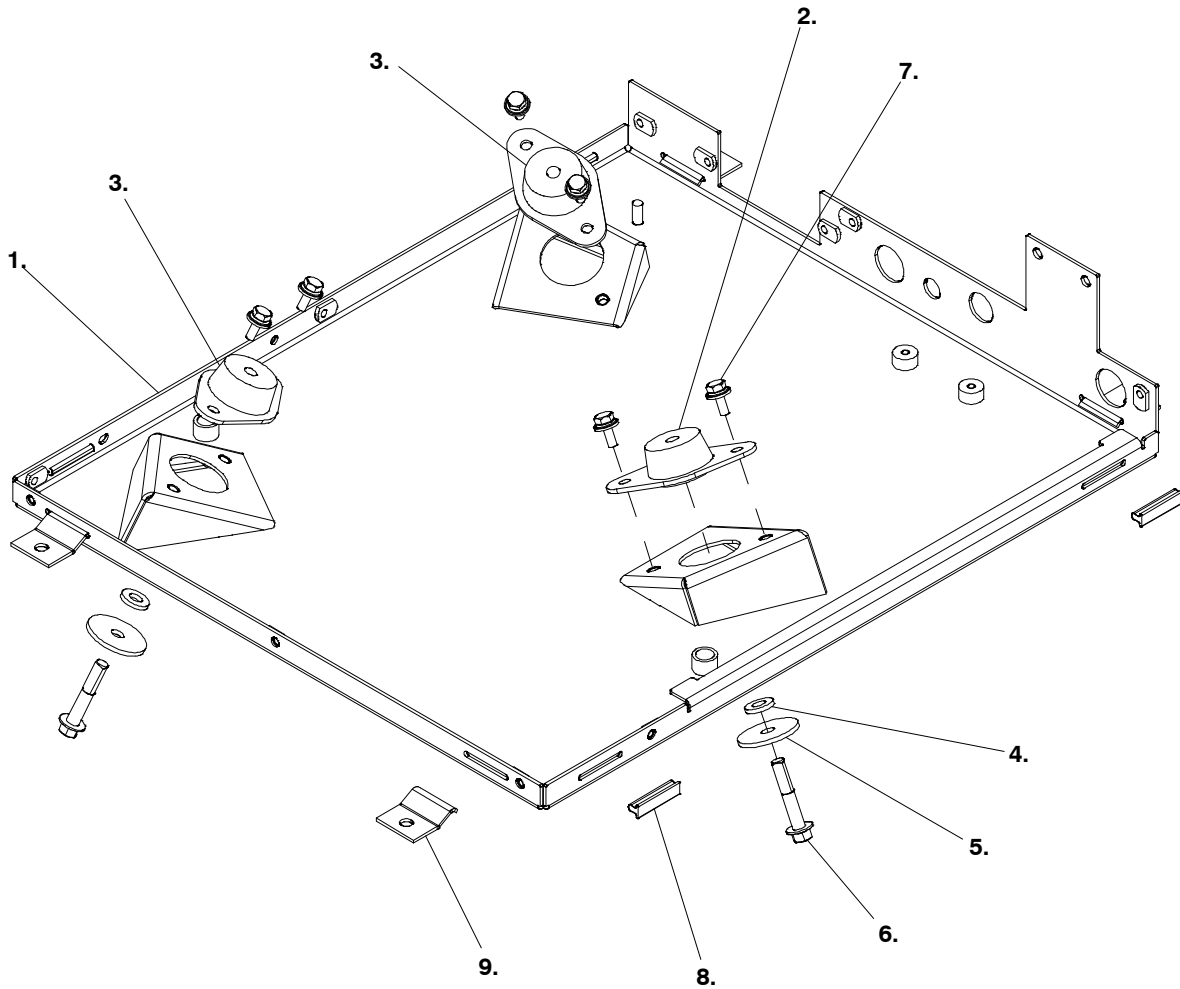
REF NO.	PART NO.	QTY USED	PART DESCRIPTION	REF NO.	PART NO.	QTY USED	PART DESCRIPTION
1.	A053T941 A053T962	1	Generator (MDKBJ)	10.	815-0829-06	8	Screw, Hollow Head
		1	(MDKBW)	11.	403-4632-02	1	Bracket
2.	A029W995	1	Endbell, Generator	12.	403-5155-02	1	Bracket
3.	509-0420	1	Seal, O Ring	13.	520-2642-03	4	Stud
4.	212-1303	1	Block, Brush	14.	332-1356	1	Clamp, Loop
5.	815-0753	4	Screw, Hex Head	15.	870-2065-02	4	Nut, Hex Flange
6.	205-0300	1	Fan	16.	403-5156-02	1	Bracket
7.	526-0017	1	Washer, Flat	17.	898-1386	1	Sleeve, Insulation
8.	800-2091	1	Screw, Hex Head	18.	898-1196-10		Sleeve, Convolute
9.	508-1265	1	Grommet	19.	332-4285	1	Housing, Terminal

Generator Drive



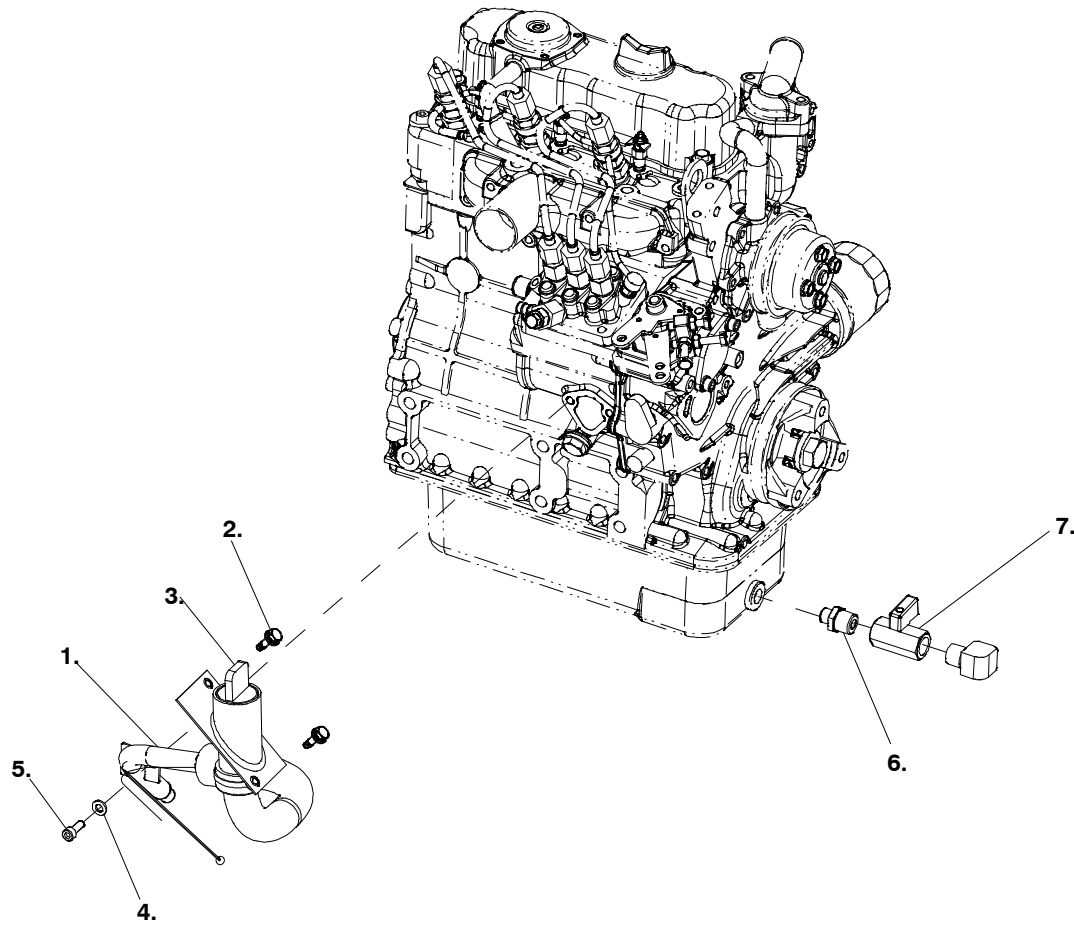
REF NO.	PART NO.	QTY USED	PART DESCRIPTION	REF NO.	PART NO.	QTY USED	PART DESCRIPTION
1.	101-0826-01	1	Adaptor, Engine		512-0399	1	(MDKBW)
2.	526-2100	3	Washer, Flat	16.	526-0017	1	Washer, Flat
3.	800-2057	12	Screw, Hex Head	17.	800-2093	1	Screw, Hex Head
4.	104-1967-03	1	Flywheel	18.			Belt
5.	185-5587	5	Bolt		511-0196	1	(MDKBJ)
6.	232-4111	1	Hub, Drive		511-0196-02	1	(MDKBW)
7.	190-0757	1	Tensioner, Belt	19.			Seal, O Ring
8.	A028X282	1	Bracket, Lifting		509-0196	1	(MDKBJ)
9.	526-2120	1	Washer, Flat		509-0420	1	(MDKBW)
10.	815-0657	1	Screw, Hex Head	20.	405-7389	1	Seal, Air Inlet
11.	512-0257	1	Coupling	21.	405-7388	1	Duct, Air
12.	870-2065-02	8	Nut, Hex Flange	22.	815-0941-04	1	Screw, Hollow Head
13.	512-0248	1	Pulley	23.	856-0006	1	Washer, Lock
14.	851-0045	1	Washer, Wave	24.	526-2080	3	Washer, Flat
15.			Pulley, Generator Machine	25.	800-2034	3	Screw, Hex Head
	512-0205-01	1	(MDKBJ)				

Drip Pan



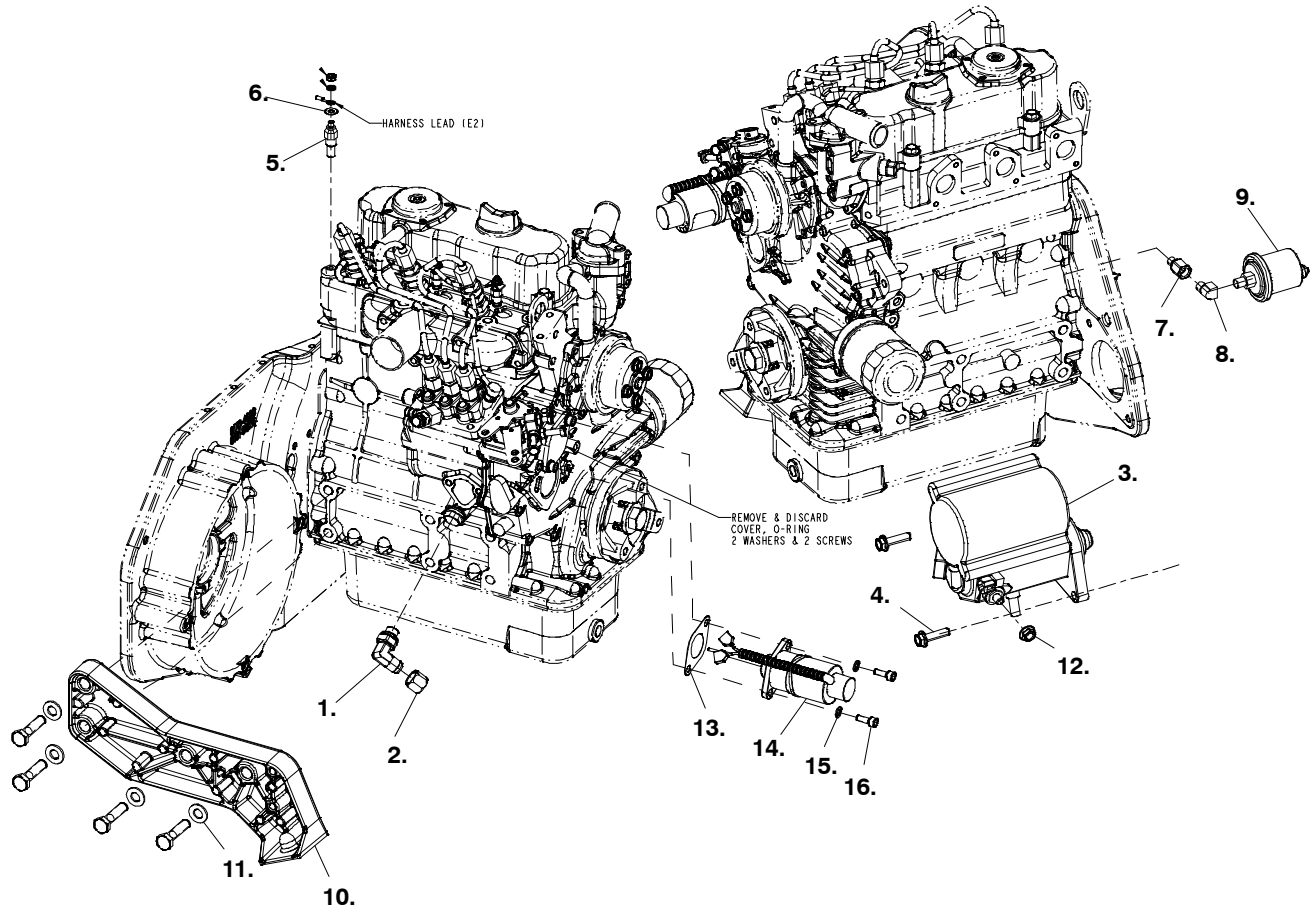
REF NO.	PART NO.	QTY USED	PART DESCRIPTION	REF NO.	PART NO.	QTY USED	PART DESCRIPTION
1.	A026J141	1	Base, Drip Pan	6.	815-0842-09	3	Screw, Hex Head
2.	402-0728	1	Isolator, Vibration	7.	821-6003-01	6	Screw, Hex Head
3.	402-0728-03	2	Isolator, Vibration	8.	405-6776	4	Seal, Enclosure
4.	526-0030	3	Washer, Flat	9.	405-6580-02	4	Clip, Hold Down
5.	526-0324	3	Washer, Flat				

Oil System



REF NO.	PART NO.	QTY USED	PART DESCRIPTION	REF NO.	PART NO.	QTY USED	PART DESCRIPTION
1.	123-2345	1	Tube, Oil	5.	725-1027	1	Screw, Socket Head
2.	800-6395-01	2	Screw, Hex Head	6.	102-1485	1	Adaptor, Oil Drain
3.	123-2322	1	Indicator, Oil Level	7.	504-0206	1	Valve, Ball
4.	526-2081	1	Washer, Flat				

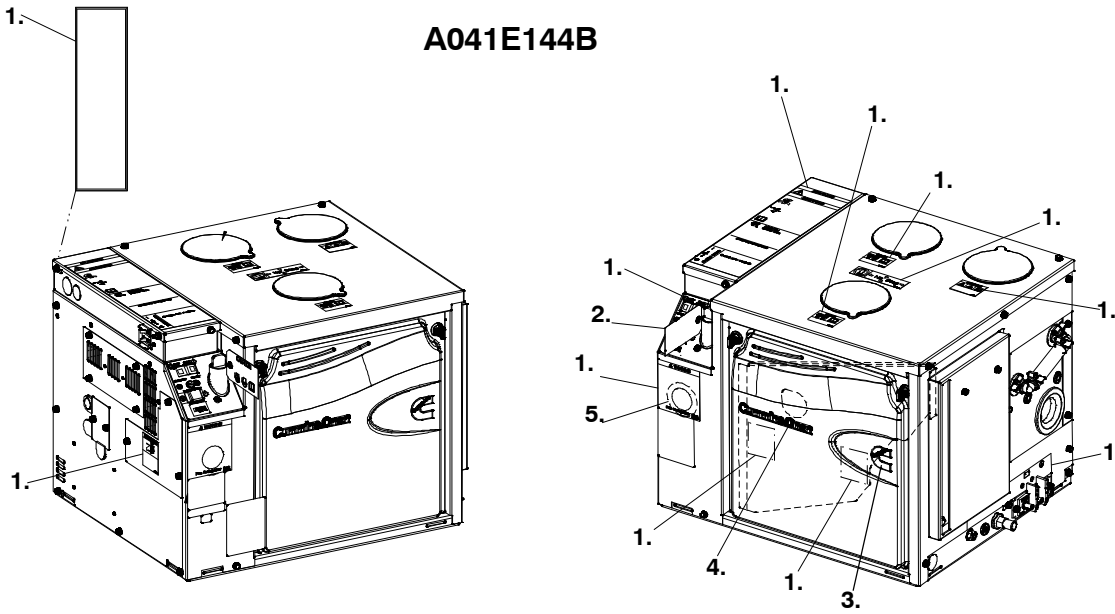
Engine



REF NO.	PART NO.	QTY USED	PART DESCRIPTION	REF NO.	PART NO.	QTY USED	PART DESCRIPTION
1.	502-1359	1	Elbow, 90 Deg	9.	193-0244	1	Sender, Oil Pressure
2.	502-1360	1	Cap, Nut	10.	A029W997	1	Mount, Engine
3.	191-2229	6	Starter	11.	526-2120	4	Washer, Flat
4.	815-0781	2	Screw, Hollow Head	12.	870-2055	1	Nut, Flange Lock
5.	193-0388	1	Sender, Temperature	13.	184-0071	1	Packing, Solenoid Cover
6.	526-0049	1	Washer, Flat	14.	A026L022	1	Actuator, Governor
7.	502-0917	1	Adapter, Pipe	15.	526-0063	2	Washer, Flat
8.	502-0020-01	1	Elbow, Pipe	16.	725-1027	2	Screw, Socket Head

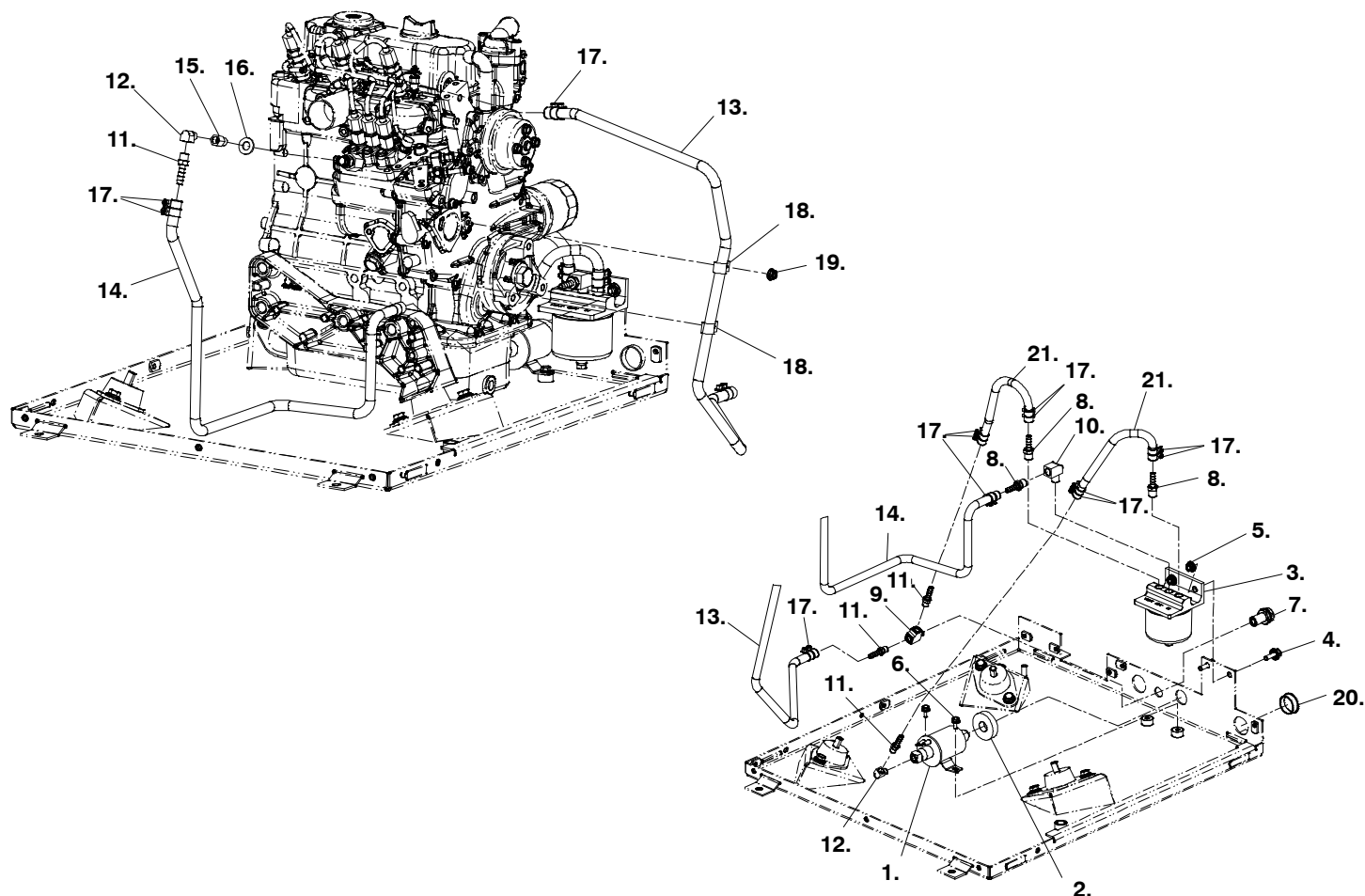
Labels

A041E144B



REF NO.	PART NO.	QTY USED	PART DESCRIPTION
1.	A041E153		Label, Information
2.	098-7874	1	Tag, Caution
3.	098-8715	1	Label, Logo
4.	098-8714	1	Label, Logo
5.	A029W947	1	Label, Panel

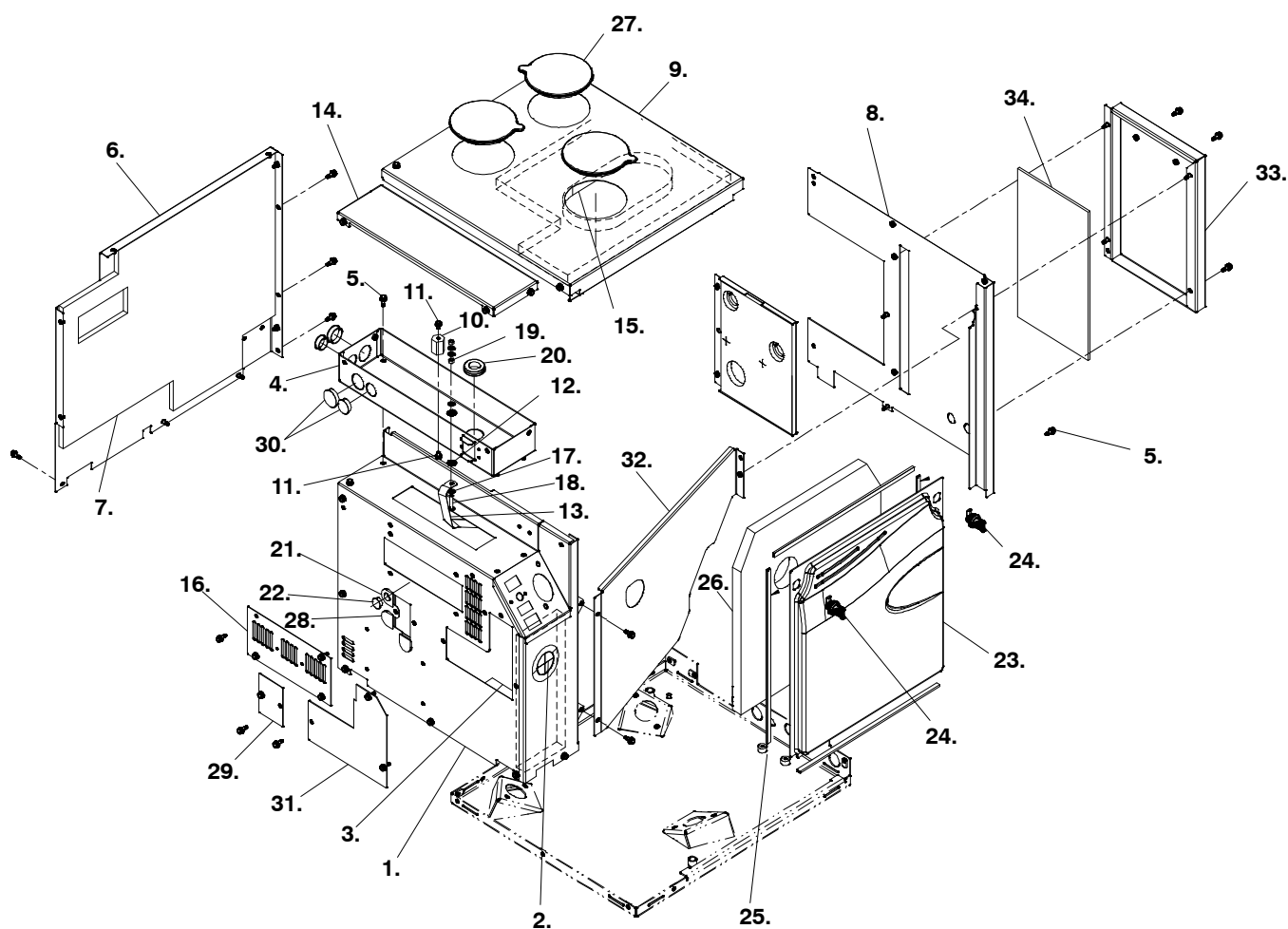
Fuel System



REF NO.	PART NO.	QTY USED	PART DESCRIPTION
1.	149-2646	1	Pump, Fuel
2.	403-3860	1	Seal, Fuel Pump
3.	149-2634-01	1	Filter, Fuel Inst.
4.	821-6003-02	2	Screw, Hex Head
5.	870-2005	2	Nut, Flange Lock
6.	821-6002-02	2	Screw, Hex Head
7.	502-1244	1	Coupler, Anchor
8.	502-1367-02	3	Fitting, Hose Connector
9.	502-1368	1	Tee, Pipe Tee
10.	502-0054	1	Elbow, Pipe
11.	502-1367-01	4	Fitting, Hose Connector
12.	502-0020	2	Elbow, Pipe
13.			Hose, Fuel

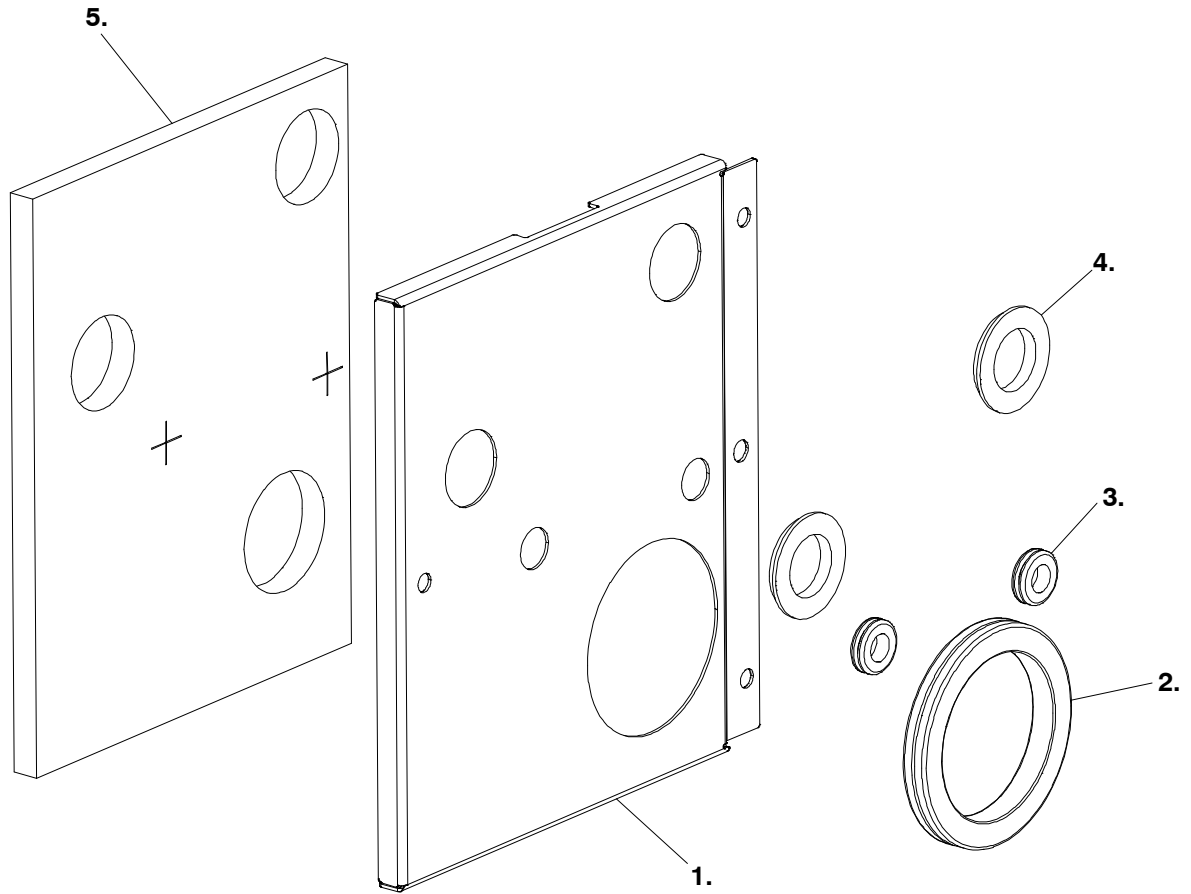
REF NO.	PART NO.	QTY USED	PART DESCRIPTION
	A035A435	1	(Spec A)
	A044F261	1	(Begin B)
14.			Hose, Fuel
	A030J683	1	(Spec A)
	0503-2883-03	1	(Begin Spec B)
15.	502-1177	1	Connector, Female
16.	526-0401	1	Washer, Flat
17.	A034B591	16	Clamp
18.	332-1554	2	Clamp, Loop
19.	870-2054	1	Nut, Flange Lock
20.	517-0138-04	1	Plug, Hole
21.	A030J685	2	Hose, Fuel

Enclosure



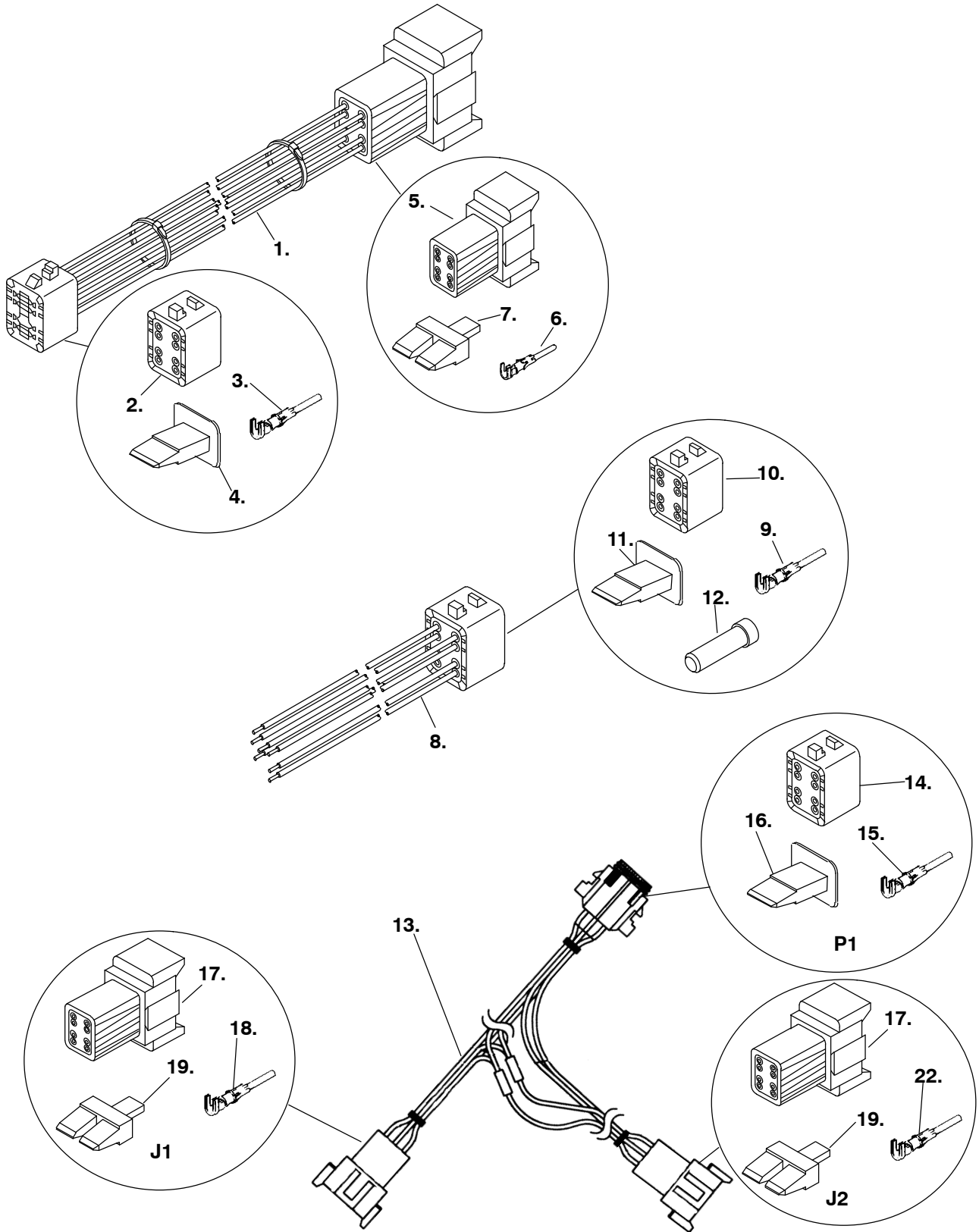
REF NO.	PART NO.	QTY USED	PART DESCRIPTION	REF NO.	PART NO.	QTY USED	PART DESCRIPTION
1.	A028U113	1	Cover, Enclosure	23.	405-7107-03	1	Door, Access
2.	405-7126	1	Insulation, Enclosure	24.			Latch
3.	405-6788	1	Insulation, Housing		406-0958	2	(Spec A)
4.	A029M151	1	Box, Control		A030B824	2	(Begin Spec B)
5.	800-6395-01	47	Screw, Hex Head	25.	895-0395	4	Seal, Weather
6.	A029X003	1	Cover, Enclosure	26.	A028Y765	1	Insulation, Door
7.	405-7111	1	Insulation, Enclosure	27.	405-7257	3	Cover, Access
8.			Cover, Enclosure (Spec A)	28.	508-1105-01	2	Grommet, Remote
	A029W939	1	(Begin Spec B)	29.	405-7691-03	1	Cover, Access
	A034X813	1	Plug, Hole	30.			(Spec A)
9.	405-7046-03	1	Panel, Roof		517-0138-05	2	(Begin Spec B)
10.	332-2370	1	Standoff, Insulator		517-0138-02	2	(Spec A)
11.	821-0008	2	Screw, Locking	31.	404-0752-03	1	Cover, Access
12.	856-0006	2	Washer, Lock	32.	A029F740	1	Guard, Belt
13.	337-2953	1	Strap, Electrical	33.	A029W591	1	Duct, Exhaust
14.	405-6791-03	1	Cover, Enclosure	34.	A029W595	1	Insulation, Exhaust
15.	A028Y685	1	Insulation, Roof	35.	541-1350	1	Kit, Control Harness
16.	405-7119-03	1	Cover, Access		338-5022	1	Harness, Control (50')
17.	526-0052	4	Washer, Flat	36.	541-1182	1	Kit, Accessory Harness
18.	810-0155	1	Screw, Round Head	37.	541-1351	1	Kit, Control Harness
19.	871-0016	2	Nut	38.	541-1378	1	Kit, Remote Harness
20.	508-0117	1	Grommet, Rubber	39.	541-1334	1	Kit, Inverter Installation
21.	508-1105	1	Grommet, Remote				(Includes Washer ,Nuts Hose
22.	517-0136	1	Plug, Hole				Clamp and Conduit)

Cover-Enclosure

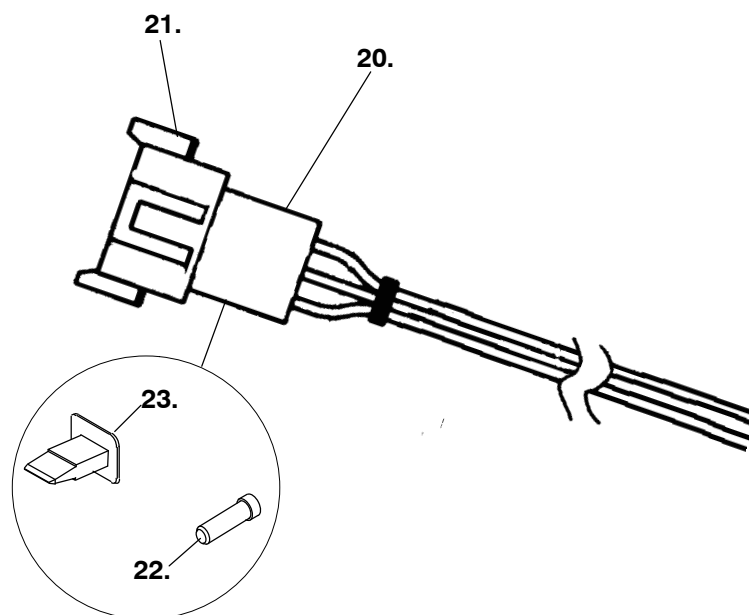


REF NO.	PART NO.	QTY USED	PART DESCRIPTION	REF NO.	PART NO.	QTY USED	PART DESCRIPTION
1.	405-9954-03	1	Cover, Enclosure	4.	508-0166	2	Grommet
2.	508-1095	1	Grommet, Rubber	5.	A028Y771	1	Insulation, Enclosure
3.	508-0021	2	Grommet, Rubber				

Wiring Harnesses



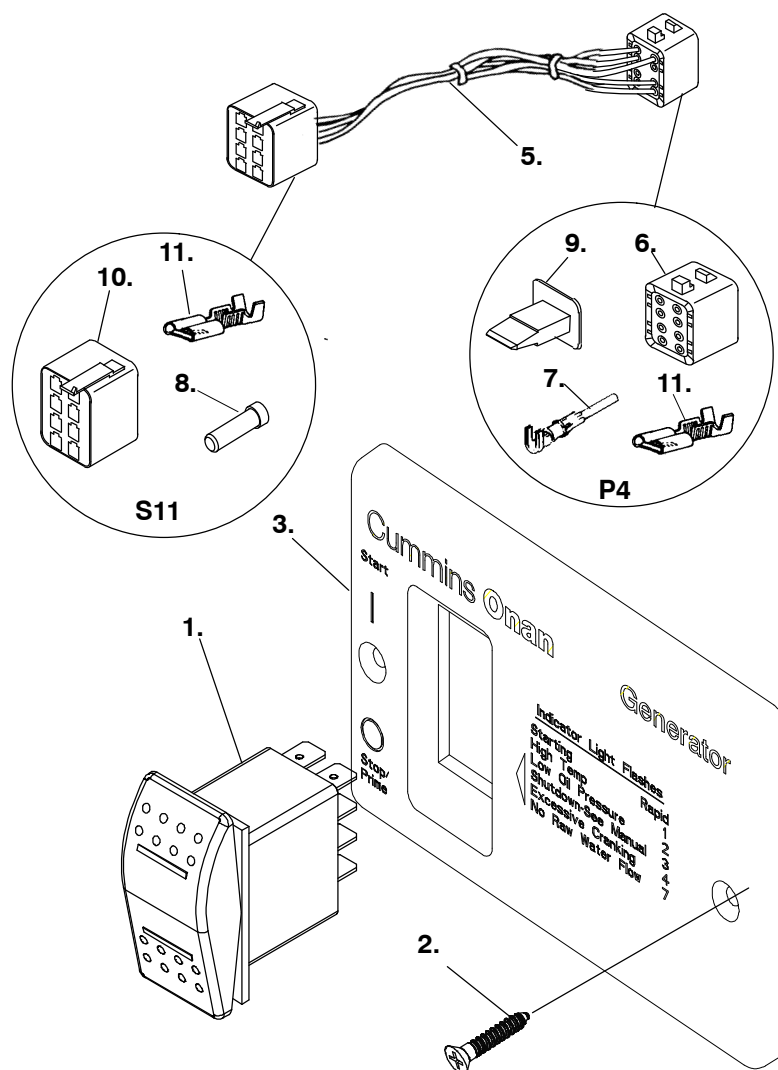
Wiring Harnesses



REF NO.	PART NO.	QTY. USED	PART DESCRIPTION	REF NO.	PART NO.	QTY. USED	PART DESCRIPTION
1.			Harness, Remote Extension (Includes Parts Marked #)	14.	323-1541	1	±°Plug, Connector (8 Pin)
	338-3167	1	15 feet	15.	323-1492	AR	±°Terminal, Socket
	338-3168	1	25 feet	16.	323-1543	1	±°Wedge, Plug (8 Pin)
	338-3169	1	45 feet	17.	323-1542	2	+Connector, Receptacle (8 Pin)
	338-3169-01	1	75 feet	18.	323-1491	AR	@Terminal, Pin
	338-3169-02	1	100 feet	19.	323-1544	2	+Wedge, Lock, Receptacle (8 Pin)
	338-3169-03	1	150 feet	20.	338-4017	1	Harness, Pigtail (Includes Parts Marked @)
2.	323-1541	1	#Plug (8 Pin)	21.	323-1542	1	@Connector, Receptacle (8 Pin)
3.	323-1492	8	#Terminal, Socket	22.	323-1491	AR	+Terminal, Pin
4.	323-1543	1	#Wedge, Plug (8 Pin)	23.	323-1544	2	@Wedge, Lock (8 Pin)
5.	323-1542	1	#Receptacle, (8 Pin)				
6.	323-1491	8	#Terminal, Pin				
7.	323-1544	1	#Wedge, Receptacle (8 Pin)				
8.	338-3098	1	Harness, Pigtail (8") (Includes Parts Marked *)				
9.	323-1492	7	*Terminal, Socket				
10.	323-1541	1	*Plug (8 Pin)				
11.	323-1543	1	*Wedge, Plug (8 Pin)				
12.	323-1591	1	*Plug Connector				
13.	338-4016	1	Harness, Junction (Includes Parts Marked +)				

- Parts Included in Remote Extension Harness.
 * - Parts Included in Custom Pigtail Harness.
 ° - Parts Included in Adapter Harness.
 .+ - Parts Included in Junction Harness.
 .@ - Parts Included in Pigtail Harness.

Remote Control Panel



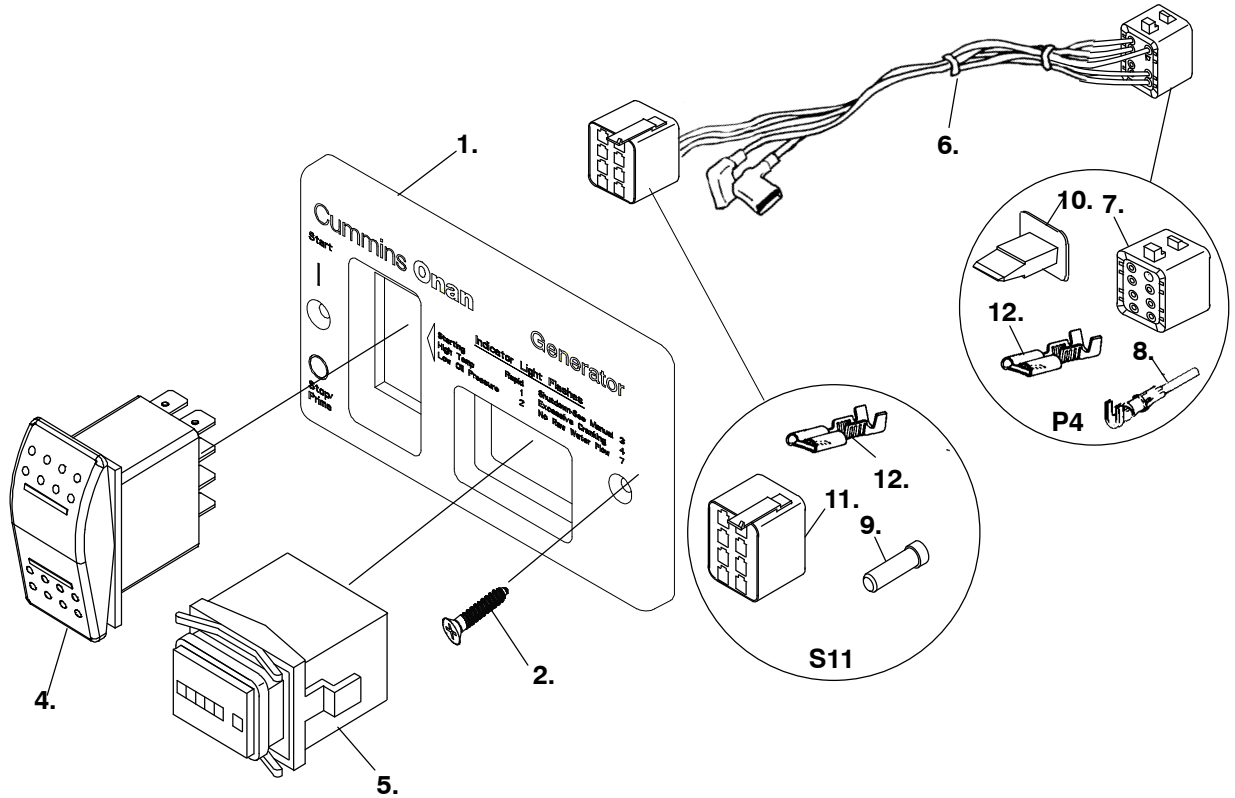
REF NO.	PART NO.	QTY. USED	PART DESCRIPTION	REF NO.	PART NO.	QTY. USED	PART DESCRIPTION
1.	300-5725-01	1	◆*Kit, Remote Control Panel MC	11.	332-2890	6	+ Terminal, Receptacle (.25")
	300-5725-01	1	Panel, Remote (Includes Parts Mark *)	12.	98-8081	1	*Label, Warning
2.	815-0910	2	Screw, Wood (#6 x 1)				
3.	319-6990	1	*Panel, Remote (Includes Printing)				
4.	308-1101	1	◆*Switch, Rocker (S11) MC				
5.	338-3988	1	*Harness, Remote Panel (Includes Parts Marked +)				
6.	323-1541	1	+ Plug, (8 Pin)				
7.	323-1492	6	+ Pin, Contact				
8.	323-1591	3	+ Plug, Seal				
9.	323-1543	1	+ Wedge, Plug (8 Pin)				
10.	308-1019	1	+ Connector, Switch (S11)				

* - Parts Included in Remote Panel.

+ - Parts Included in Remote Panel Wiring Harness.

⚠ WARNING ⚠ **MC** - Are **MARINE CRITICAL** and must comply with boating safety ignition protection, back-fire, fire resistance, exhaust system integrity, or other requirements established by regulatory agencies, such as US Coast Guard, ABYU, and ISO. When **MARINE CRITICAL** parts are replaced for any reason, use Onan parts that are identified with the part numbers in this book.

Remote Control Panel w/Hourmeter



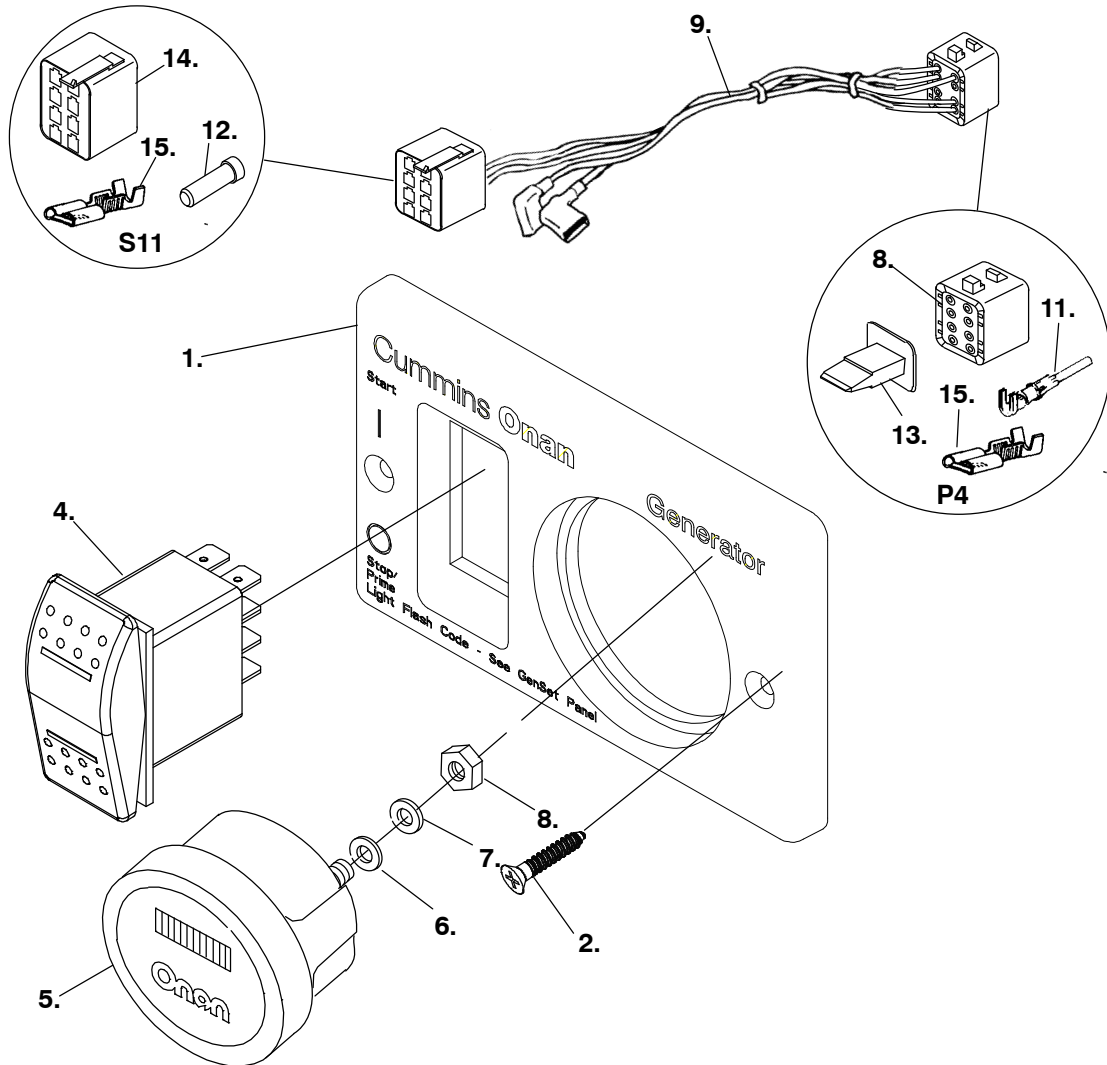
REF NO.	PART NO.	QTY. USED	PART DESCRIPTION	REF NO.	PART NO.	QTY. USED	PART DESCRIPTION
	300-5727-01	1	◆*Kit, Panel, Remote MC	12.	332-2890	6	+Terminal, Receptacle (.25")
1.	300-5724-01	1	Panel, Remote (Includes Parts Marked *)	13.	98-8081	1	*Label, Warning
2.	815-0910	2	Screw, Wood (#6 x 1)				
3.	319-6992	1	*Panel, Remote Printed				
4.	308-1101	1	◆*Switch, Rocker (S11) MC				
5.	302-2048	1	◆*Hourmeter (M11) MC				
6.	338-3990	1	*Harness, Remote Panel (Includes Parts Marked +)				
7.	323-1541	1	+Plug (8 Pin) (P4)				
8.	323-1492	6	+Pin, Contact				
9.	323-1591	2	+Plug, Seal				
10.	323-1543	1	+Wedge, Plug (8 Pin)				
11.	308-1019	1	+Connector, Switch (S11)				

* - Parts Included in Remote Panel.

+ - Parts Included in Remote Panel Wiring Harness.

⚠ WARNING ◆MC - Are MARINE CRITICAL and must comply with boating safety ignition protection, back-fire, fire resistance, exhaust system integrity, or other requirements established by regulatory agencies, such as US Coast Guard, ABYC, and ISO. When MARINE CRITICAL parts are replaced for any reason, use Onan parts that are identified with the part numbers in this book.

Deluxe Remote Control Panel w/Volt Meter

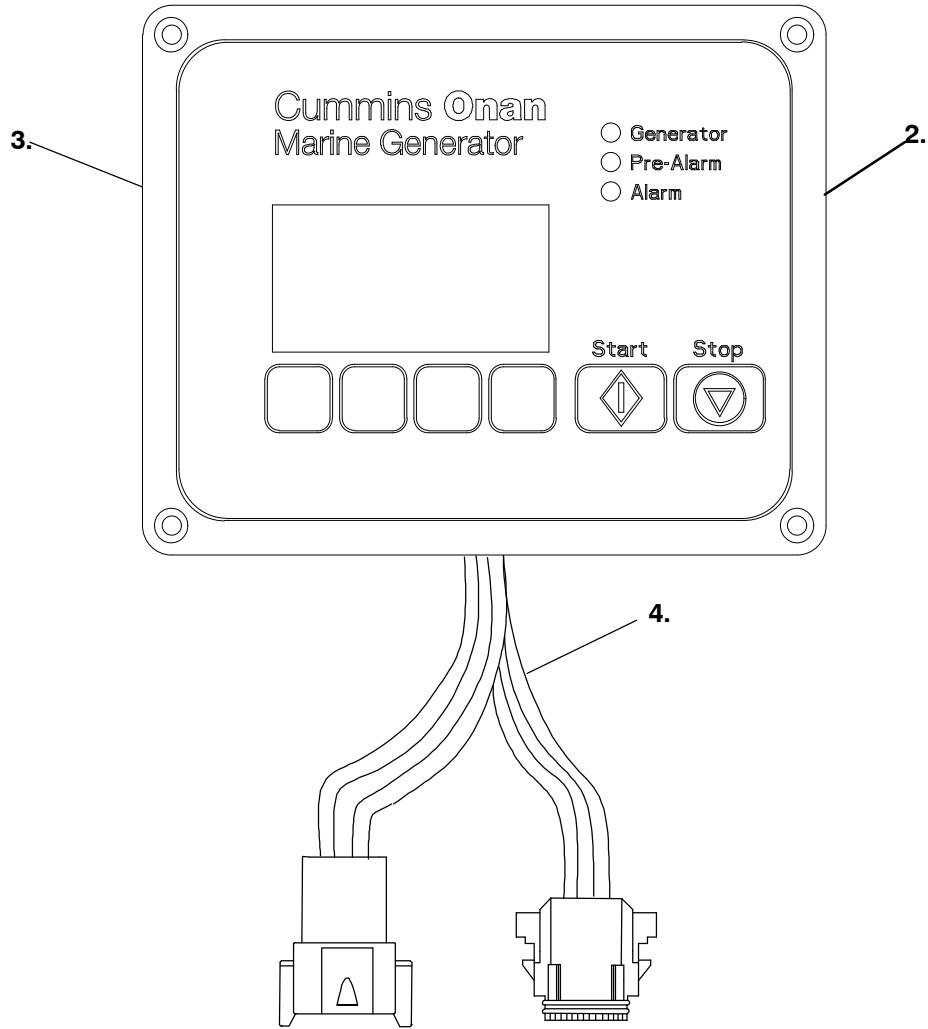


REF NO.	PART NO.	QTY. USED	PART DESCRIPTION	REF NO.	PART NO.	QTY. USED	PART DESCRIPTION
	300-5726-01	1	◆Kit, Remote Panel MC	15.	332-2890	6	+Terminal, Receptacle (.25")
1.	300-5723-01	1	Panel, Remote (Includes Parts Marked *)	16.	98-8092	1	#Label, Instruction
2.	815-0910	2	Screw, Wood (#6 x 1)	17.	98-8081	1	#Label, Warning
3.	319-6991	1	*Panel, Remote Printed				
4.	308-1101	1	◆*Switch, Rocker (S11) MC				
5.	302-2051-01	1	*Meter, Volt (M14)				
6.	526-0409	2	*Washer, Nylon				
7.	850-0114-51	2	*Washer, lock				
8.	860-2025	2	*Nut, Hex (M4 x .7)				
9.	338-3990	1	*Harness, Remote Panel (Includes Parts Marked +)				
10.	323-1541	1	+Plug, (8 Pin) (J4)				
11.	323-1492	6	+Pin, Contact				
12.	323-1591	2	+Plug, Seal				
13.	323-1543	1	+Wedge, Plug (8 Pin)				
14.	308-1019	1	+Connector, Switch (S11)				

* - Parts Included in Remote Panel.
+ - Parts Included in Remote Panel Harness.

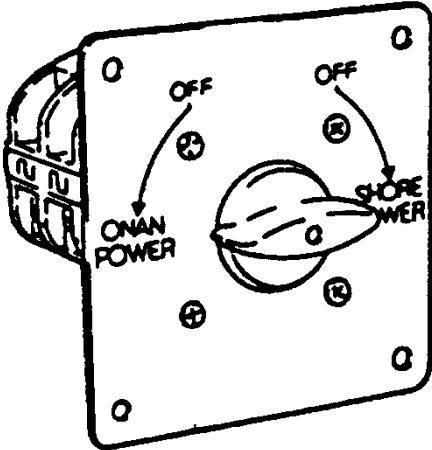
⚠ WARNING ◆ **MC** - Are **MARINE CRITICAL** and must comply with boating safety ignition protection, back-fire, fire resistance, exhaust system integrity, or other requirements established by regulatory agencies, such as US Coast Guard, ABYU, and ISO. When **MARINE CRITICAL** parts are replaced for any reason, use Onan parts that are identified with the part numbers in this book.

Remote Control



REF NO.	PART NO.	QTY. USED	PART DESCRIPTION	REF NO.	PART NO.	QTY. USED	PART DESCRIPTION
	541-1130	1	Kit, Control Display (Includes LCD Control)				
1.	300-6393	1	Control, LCD (Included In LCD Parts*)				
2.	300-6014	1	*Box, Control				* - Parts Included in LCD Control
3.	300-6393	1	*Board, LCD Printed Circuit				
4.	338-4181	1	*Harness, Remote Panel				

Manual Transfer Switch



REF NO.	PART NO.	QTY. USED	PART DESCRIPTION
	308-0269	1	Switch, On Shore/Off Shore Rotary 120V (2 Wire)
	308-0270	1	120/240V (3 Wire)

Numerical Index

<u>Part No.</u>	<u>Page</u>	<u>Part No.</u>	<u>Page</u>	<u>Part No.</u>	<u>Page</u>	<u>Part No.</u>	<u>Page</u>
0503-2883-03,	45	150-2972,	27	181-9252,	24	185-2563,	18
098-7874,	44	150-2974,	27	181-9253,	24	185-2572,	30
098-8081,	50 , 51 , 52	150-2975,	27	181-9256,	32	185-4255,	27
098-8092,	52	154-3117-S1,	36	184-0017,	27	185-5337,	19 , 20
098-8714,	44	154-3163,	36	184-0019,	27	185-5348,	21
098-8715,	44	155-3720,	36	184-0057,	27	185-5350,	10
101-0826-01,	40	155-4065,	36	184-0071,	43	185-5357,	10
102-1485,	42	181-9000,	24	185-2016,	10 , 11	185-5360,	10
104-1967-03,	40	181-9001,	27	185-2022,	10	185-5361,	10
104-2169,	10	181-9012,	21	185-2026,	10	185-5363,	20
110-3990,	21	181-9020,	10	185-2028,	10	185-5364,	20
110-3991,	21	181-9022,	8 , 9	185-2029,	10	185-5365,	20
110-4131,	11 , 18	181-9023,	25	185-2031,	10	185-5366,	20
112-0332,	10 , 11	181-9024,	24	185-2033,	10	185-5367,	20
123-2264,	24	181-9038,	29	185-2094,	8 , 9	185-5368,	20
123-2322,	42	181-9039,	14	185-2095,	8 , 9	185-5369,	20
123-2345,	42	181-9041,	16	185-2115,	8 , 9	185-5370,	20
130-3721,	36	181-9046,	13	185-2124,	25	185-5371,	20
130-5139,	34	181-9056,	16	185-2163,	17	185-5372,	20
130-5491,	34	181-9057,	16	185-2188,	8 , 9 , 18	185-5373,	20
130-5928,	22	181-9060,	23	185-2234,	8 , 9 , 25	185-5374,	20
132-0398,	35	181-9064,	25	185-2238,	22	185-5375,	20
132-0407,	35	181-9066,	26	185-2284,	16 , 19	185-5376,	20
132-0408,	35	181-9069,	32	185-2338,	16	185-5377,	20
132-0410,	35	181-9075,	29	185-2351,	21	185-5378,	20
132-0411-01,	34	181-9076,	12	185-2353,	10 , 17 , 29	185-5379,	20
132-0428,	35	181-9084,	19 , 20	185-2357,	17 , 29	185-5380,	20
132-0429,	35	181-9086,	17	185-2379,	14	185-5381,	20
132-0430,	34	181-9087,	17	185-2384,	24	185-5382,	20
132-0493,	26	181-9088,	17	185-2385,	19	185-5383,	20
132-0500,	35	181-9107,	22 , 24	185-2386,	12 , 17 , 29	185-5384,	20
132-0518,	26	181-9159,	12	185-2387,	12 , 15	185-5385,	20
134-5395,	24	181-9161,	10	185-2388,	22 , 28	185-5386,	20
140-2898,	37	181-9162,	10	185-2389,	25 , 32	185-5387,	20
140-3437,	37	181-9178,	19	185-2393,	14	185-5388,	20
140-3439,	37	181-9182,	29	185-2394,	22 , 25	185-5389,	20
140-3447,	37	181-9202,	19	185-2411,	18	185-5390,	20
140-3470,	33	181-9238,	24	185-2413,	18	185-5391,	20
140-3476,	37	181-9249,	24	185-2414,	18	185-5392,	20
147-0970,	17	181-9250,	32	185-2439,	27	185-5393,	20
147-0971,	17	181-9251,	21	185-2559,	13 , 26	185-5394,	20

Numerical Index

<u>Part No.</u>	<u>Page</u>	<u>Part No.</u>	<u>Page</u>	<u>Part No.</u>	<u>Page</u>	<u>Part No.</u>	<u>Page</u>
185-5395,	20	185-5541,	21	185-5629,	29	185-6667,	22
185-5396,	20	185-5542,	21	185-5630,	17 , 29	185-6738,	19 , 20
185-5397,	20	185-5550,	21	185-5631,	17 , 29	185-6759,	17
185-5398,	20	185-5551,	21	185-5632,	17 , 29	185-6852,	36
185-5399,	20	185-5552,	21	185-5633,	17 , 29	185-6888,	17
185-5400,	20	185-5553,	21	185-5634,	29	185-6931,	16
185-5401,	20	185-5555,	12	185-5635,	17 , 29	185-6956,	15
185-5402,	20	185-5559,	12	185-5660,	17	185-7072,	13
185-5403,	20	185-5560,	12	185-5661,	17	185-7076,	10 , 11
185-5404,	20	185-5561,	12	185-5662,	17	185-7080,	27
185-5405,	20	185-5563,	12	185-5663,	17	185-7082,	19
185-5406,	20	185-5564,	12	185-5680,	16	185-7083,	31
185-5410,	25	185-5565,	12	185-5681,	16	185-7084,	22
185-5412,	8 , 9 , 19	185-5568,	10	185-5682,	16	185-7085,	21
185-5413,	8 , 9	185-5570,	10	185-5685,	16	185-7086,	21
185-5414,	8 , 9	185-5571,	10	185-5687,	27	185-7166,	23
185-5415,	8 , 9	185-5572,	10	185-5696,	14	185-7208,	22
185-5416,	8 , 9	185-5573,	10	185-5701,	14	185-7313,	16
185-5458,	22	185-5575,	10	185-5702,	14	185-7385,	12
185-5482,	8 , 9	185-5576,	10	185-5703,	14	185-7386,	10
185-5483,	8 , 9	185-5577,	10	185-5704,	14	185-7393,	22
185-5484,	8 , 9	185-5578,	10	185-5707,	30	185-7395,	21
185-5485,	8 , 9	185-5579,	10	185-5709,	31	185-7415,	10
185-5486,	8 , 9	185-5580,	10 , 13	185-5712,	26	185-7421,	15
185-5487,	8 , 9	185-5581,	10 , 13	185-5714,	26	185-7426,	24
185-5489,	8 , 9	185-5582,	10	185-5716,	26	185-7440,	21
185-5490,	8	185-5583,	10	185-5717,	26	185-7444,	34
185-5491,	8 , 9	185-5587,	40	185-5725,	23	190-0757,	40
185-5500,	18	185-5612,	19	185-5726,	23	191-2229,	43
185-5501,	18	185-5614,	19	185-5727,	23	193-0244,	43
185-5502,	18	185-5615,	19	185-5745,	25	193-0388,	43
185-5503,	18	185-5616,	20	185-5747,	25	201-3607-02,	38
185-5505,	8 , 9	185-5617,	20	185-5754,	14	204-0149,	38
185-5507,	25	185-5618,	20	185-5798,	28	205-0300,	38 , 39
185-5509,	25	185-5619,	20	185-5820,	17	212-1303,	38 , 39
185-5510,	25	185-5620,	20	185-5826,	22	220-4610-04,	38
185-5515,	13	185-5621,	20	185-5831,	32	232-4111,	40
185-5516,	13	185-5622,	20	185-5893,	32	232-4192,	13
185-5517,	13	185-5624,	17	185-5924 ,	12	300-5723-01,	52
185-5539,	21	185-5625,	17	185-5985,	19 , 20	300-5724-01,	51
185-5540,	21	185-5626,	17	185-6580,	28	300-5725-01,	50

Numerical Index

<u>Part No.</u>	<u>Page</u>	<u>Part No.</u>	<u>Page</u>	<u>Part No.</u>	<u>Page</u>	<u>Part No.</u>	<u>Page</u>
300-5726-01, 52		332-4285, 38 , 39		501-1118, 19		512-0205-01, 40	
300-5727-01, 51		337-2311, 33		501-1119, 19		512-0248, 40	
300-6014, 53		337-2785, 33		501-1131, 19		512-0257, 40	
300-6393, 53		337-2845, 45		502-0020-01, 43		512-0399, 40	
300-6396, 33		337-2953, 46		502-0917, 43		516-2142, 27	
300-6410, 45		338-3098, 49		502-0942, 34		517-0136, 46	
302-2048, 33 , 51		338-3167, 49		502-1031, 34		517-0138-02, 46	
302-2051-01, 52		338-3168, 49		502-1359, 43		517-0138-05, 46	
305-0995, 33		338-3169, 49		502-1360, 43		517-0371, 25	
305-1005, 33		338-3169-01, 49		502-1687, 34		517-0418, 15	
305-1006, 33		338-3169-02, 49		503-0398, 37		517-0448, 15	
308-0269, 54		338-3169-03, 49		503-1135, 34		520-1021, 36	
308-0270, 54		338-3988, 50		503-1136, 34		520-2642-03, 38 , 39	
308-1019, 50 , 51 , 52		338-3990, 51 , 52		503-1137, 37		526-0017, 38 , 39 , 40	
308-1038, 45		338-4016, 49		503-1142, 36		526-0029, 33	
308-1101, 50 , 51 , 52		338-4017, 49		503-2160, 34		526-0030, 41	
308-1218, 33		338-4181, 53		503-2162, 34		526-0049, 43	
309-0597-03, 36		338-4917, 45		503-2177, 36		526-0052, 46	
309-0667, 34		338-4918, 46		503-2193, 34		526-0063, 43	
319-6990, 50		338-5022, 46		503-2301, 34		526-0324, 41	
319-6991, 52		363-0205, 33		503-2305, 37		526-0399-05, 33	
319-6992, 51		402-0728, 41		503-2315, 33		526-0399-58, 36 , 37	
320-1952, 33		402-0728-03, 41		503-2396, 34		526-0399-60, 34	
320-2144-01, 33		403-4632-02, 38 , 39		503-2415, 33		526-0409, 52	
320-2162-03, 33		403-5155-02, 38 , 39		503-2823, 34 , 36 , 37		526-1002, 33	
320-2361, 33		403-5156-02, 38 , 39		504-0206, 42		526-2080, 40	
320-2362, 33		404-0752-03, 46		508-0021, 47		526-2081, 33 , 42	
323-1491, 49		405-6580-02, 41		508-0117, 46		526-2100, 40	
323-1492, 49 , 50 , 51 , 52		405-6776, 41		508-0166, 47		526-2120, 33 , 40 , 43	
323-1541, 49 , 50 , 51 , 52		405-6788, 46		508-1095, 47		541-1130, 53	
323-1542, 49		405-6791-03, 46		508-1105, 46		541-1182, 46	
323-1543, 49 , 50 , 51 , 52		405-7107-03, 46		508-1105-01, 46		541-1334, 46	
323-1544, 49		405-7111, 46		508-1265, 38 , 39		541-1350, 46	
323-1591, 49 , 50 , 51 , 52		405-7119-03, 46		509-0196, 40		541-1351, 46	
327-1691, 33		405-7126, 46		509-0381, 13		541-1378, 46	
332-1356, 38 , 39		405-7257, 46		509-0420, 38 , 39 , 40		541-1524, 35	
332-2112-01, 33		405-7388, 40		509-0549, 8 , 9		725-1027, 42 , 43	
332-2370, 46		405-7389, 40		510-0208, 38		800-0309-10, 33	
332-2890, 50 , 51 , 52		405-7691-03, 46		511-0196, 40		800-2034, 33 , 40	
		405-9954-03, 47		511-0196-02, 40		800-2043, 37	
		406-0958, 46		511-0206, 34		800-2057, 40	

Numerical Index

<u>Part No.</u>	<u>Page</u>	<u>Part No.</u>	<u>Page</u>	<u>Part No.</u>	<u>Page</u>	<u>Part No.</u>	<u>Page</u>
800-2065,	34	860-2025,	52	A030B480,	10	A053T962,	39
800-2066,	37	860-2132,	27	A030B482,	12		
800-2091,	38 , 39	862-0003,	33	A030B484,	13		
800-2093,	40	870-0221,	36	A030B486,	14		
800-3017-03,	34	870-2055,	43	A030B488,	14		
800-3017-04,	36	870-2065-02,	36 , 38 , 39	A030B502,	14		
800-3017-19,	34	870-2065-03,	33	A030B504,	15		
800-6330,	24	871-0016,	46	A030B513,	15		
800-6395-01,	33 , 37 , 42 , 46	895-0395,	46	A030B519,	17		
800-6433,	25	898-1195-02,	38	A030B521,	18		
800-6549,	17	898-1196-10,	38 , 39	A030B523,	22		
810-0155,	46	898-1386,	38 , 39	A030B525,	25		
812-0070,	45	A026D807,	8	A030B528,	25		
815-0549-01,	45	A026J141,	41	A030B530,	25		
815-0600,	33	A026K278,	28	A030B532,	26		
815-0657,	40	A026L022,	43	A030B534,	27		
815-0753,	38 , 39	A028U113,	46	A030B536,	27		
815-0781,	43	A028W474,	37	A030B538,	27		
815-0829-04,	45	A028X282,	40	A030B540,	27		
815-0829-06,	38 , 39	A028Y432,	34	A030B542,	27		
815-0842-09,	41	A028Y685,	46	A030B544,	29		
815-0862,	33	A028Y765,	46	A030B824,	46		
815-0910,	50 , 51 , 52	A028Y771,	47	A030J683,	45		
815-0916,	34	A028Z133,	34	A030J685,	45		
815-0941-04,	40	A029B062,	34	A034B591,	45		
821-0008,	46	A029B648,	38	A034L712,	36		
821-2035,	37	A029C238,	33	A034X813,	46		
821-2096-02,	33	A029C509,	34	A035A435,	45		
821-2096-03,	45	A029F740,	46	A041C175,	9		
821-6003-01,	41	A029J606,	33	A041E153,	44		
823-0002-04,	33	A029K913,	34	A041F391,	33		
823-1002-03,	40	A029M151,	46	A041F392,	33		
850-0114-51,	52	A029W591,	46	A043T610,	14		
850-0114-53,	34	A029W595,	46	A044F261,	45		
850-0114-54,	34	A029W939,	46	A045Y540,	27		
851-0045,	40	A029W947,	44	A045Y557,	19		
856-0002,	33	A029W995,	38 , 39	A045Y560,	19		
856-0006,	40 , 46	A029W997,	43	A045Y568,	18		
856-0008,	45	A029X003,	46	A045Y575,	12		
856-0010,	33	A029X224,	33	A045Y576,	29		
856-0012,	33	A030B478,	10	A053T941,	39		

power.cummins.com

Copyright © 2016 Cummins Inc. All rights reserved.

Cummins, Onan, the “C” logo, and “Performance you rely on.” are trademarks of Cummins Inc.

Other company, product, or service names may be trademarks or service marks of others.

Specifications are subject to change without notice.

