

Cummins **Onan**



Parts Manual

Marine Generator Set

MDKAV (Spec A-C)

MDKAW (Spec A-C)

MDKAZ (Spec A-C)

Introduction

This catalog applies to the standard marine generator sets listed below. Parts are arranged in groups of related items and each illustrated part is identified by a reference number corresponding to the same reference number in the parts list. Parts illustrations are typical. Unless otherwise mentioned in the description or page heading, parts are interchangeable between models. Throughout this catalog left and right sides are determined by facing the engine end (front) of the set.

<u>MODEL</u>	<u>HERTZ</u>
MDKAV/*	50/60
MDKAW/*	50/60
MDKAZ/*	50/60

* – The diagonal line (/) in the model and specification number separates generator set characteristics from the specification number and letter. The specification number denotes customer requested options or deviations from the standard model. The specification letter advances (A to B, B to C, etc.) with major manufacturing changes.



This Page Intentionally Left Blank.



Index

A

Actuator, Governor, **41**
Adapter, Metric NPT, **37**
Adapter, Oil Drain, **49**
Adapter, Pipe, **37**
Alternator (12V), **34**
Alternator (24V), **35**
Arm, Rocker, **25 , 26**
Assy Panel, Engine, **68**
Assy., Plug (Resistor), **77**
Assy, Lever Governor, **15**
Assy, PCB Control, **65**
Assy, Water Separator Drain, **40**

B

Baffle, Generator, **59**
Ball, Crankshaft, **8**
Ball, Pressure Valve, **32**
Base, Mounting, **55**
Bearing, Alternator (24V), **36**
Bearing, Connecting Rod, **10**
Bearing, Crankshaft, **8**
Bearing, Fork Lever, **16**
Bearing, Fuel Camshaft, **13**
Bearing, Generator Rotor Ball, **63**
Bearing, Governor Miniature, **16**
Bearing, Governor Weight, **13**
Bearing, Raw Water Pump, **46**
Bearing, Water Pump, **33**
Belt, Fan, **34 , 35**
Block, Cylinder, **7**
Body, Raw Water Pump, **46**
Box, Control , **66**
Bracket, Belt Guard Bottom, **56**
Bracket, Belt Guard Side, **56**
Bracket, Belt Guard Top, **56**
Bracket, Fuel Pump, **37**
Bracket, Heat Exchanger, **42**
Bracket, Isolated Ground, **54**
Bracket, Lifting, **21**
Bracket, Oil Drain, **49**
Bracket, Remote Separator Mounting, **39**
Bracket, Resistor (24V)), **37**
Bracket, Rocker Arm, **25 , 26**
Breaker, Circuit, **67**
Breaker, Circuit (50 Amp), **69**
Brush, Alternator (24V), **36**
Bush, Governor Gear, **7**
Bushing, Connecting Rod, **10**
Bushing, Idle Gear, **9**
Bushing, Reducer, **37**

C

Cam, Fuel, **13**
Camshaft, **9**
Camshaft, Fuel, **13**
Cap, Coolant Tank , **48**
Cap, Cylinder Block Sealing, **7**
Cap, Cylinder Head Sealing, **21**
Cap, Injection Pump Eye Joint, **17**
Cap, Oil Drain Hose Pipe, **49**
Cap, Radiator, **53**
Cap, Stop Lever, **15**
Cap, Valve, **25 , 26**
Case, Main Bearing, **12**
Catch, Door, **62**
Circlip, Governor External, **16**
Circlip, Governor Shaft, **13**
Circlip, Idle Gear, **9**
Circlip, Piston Pin, **10**
Circlip, Rocker Arm External, **25**
Clamp, Hose, **29 , 30 , 45**
Clamp, Injection Pipe, **22**
Clip, Hose, **37**
Cock, Cylinder Block Drain, **7**
Collar, Crankshaft, **8**
Collar, Eye Joint, **17**
Collar, Governor, **16**
Collar, Governor Shaft, **13**
Collar, Idle Gear, **9**
Collet, Valve Spring, **25 , 26**
Comp. Valve, Breather, **29 , 30**
Components, Alternator (24V), **36**
Components, Captive Water Pump, **33**
Components, Control Panel, **68**
Components, Control Panel (Breaker Switch), **69**
Components, Gauge Panel, **70**
Components, Injection Pump, **19**
Components, Nozzle Holder, **23**
Components, Raw Water Pump, **46**
Components, Remote Water Separator, **40**
Connector, Barbed Hose (1/4-18 x 3/8"), **37**
Connector, Barbed Hose (1/4-18 x 5/16"), **37**
Connector, Female Bulkhead, **37**
Connector, Fuel System Male, **37**
Connector, Inverted Male, **37**
Control, Box, **67**
Cord, Glow Plug, **22**
Cover, **17**
Cover, Access, **60**
Cover, Alternator Bearing (24V), **36**
Cover, Bearing Case, **12**
Cover, Breather, **29 , 30**
Cover, Control Box, **67**

Index

Cover, Cylinder Head, **28 , 29 , 30**
Cover, Endbell, **63**
Cover, Flywheel Housing, **11**
Cover, Fork Lever Shaft, **16**
Cover, Gearcase Oil Fill, **32**
Cover, Head Cover Oil Fill, **28**
Cover, Heat Exchanger End, **42**
Cover, Oil Filter Hole, **32**
Cover, Oil Pump, **32**
Cover, Rear, **57**
Cover, Thermostat, **27**
Crankshaft, **8**

D

Disk, Generator Rotor Drive, **63**
Door, Sound Shield, **61**

E

Edging, Heat Exchanger Bracket, **42**
Elbow, Exhaust , **53**
Elbow, Exhaust (Dry Exhaust), **53**
Elbow, Inverted Male, **37**
Elbow, Male, **37**
Elbow, Molded Exhaust, **53**
Elbow, Oil System, **49**
Elbow, Pipe, **37**
Elbow, Street, **39**
Element, Breather, **28**
Element, Fuel Filter, **37**
Element, Remote Water Separator, **40**
Endbell, **63**
Engine, Replacement, **7**
Exchanger, Heat, **42**
Extension, Mounting Base, **55**

F

Fan, Generator, **63**
Filter, Fuel, **37 , 79**
Filter, Oil, **32 , 79**
Fitting, Oil Filter Connector, **32**
Flange, Injection Pump Sleeve, **20**
Flange, Water, **27**
Flange, Water Pump, **33**
Flywheel, **11**

G

Gasket, **29 , 30**
Gasket, Bearing Case, **12**
Gasket, Bearing Case Cover, **12**
Gasket, Cap Nut, **28**
Gasket, Cylinder Block Plug, **7**

Gasket, Cylinder Head, **21**
Gasket, Cylinder Head Cover, **28 , 29 , 30**
Gasket, Delivery Valve, **20**
Gasket, Exhaust, **53**
Gasket, Exhaust Manifold, **53**
Gasket, Eye Joint, **17**
Gasket, Fork Lever Shaft Cover, **16**
Gasket, Gearcase, **32**
Gasket, Heat Exchanger End Cover, **42**
Gasket, Hole Cover, **17**
Gasket, Injection Pump, **20**
Gasket, Intake Manifold, **51**
Gasket, Nozzle Holder, **22**
Gasket, Oil Drain, **49**
Gasket, Oil Pan, **50**
Gasket, Overflow Pipe, **22**
Gasket, Solenoid Cover, **41**
Gasket, Speed Control Plate, **14**
Gasket, Stop Lever, **15**
Gasket, Thermostat, **27**
Gasket, Water Flange, **27**
Gasket, Water Pump, **33 , 45**
Gauge, Oil Pressure, **75**
Gauge, Water Temperature, **75**
Gear, Cam, **9**
Gear, Crankshaft, **8**
Gear, Governor, **13**
Gear, Idle, **9**
Gear, Injection Pump, **13**
Gear, Oil Pump Drive, **8**
Gear, Ring, **11**
Gearcase, **31 , 32**
Generator, **63**
Governor, **16**
Grommet, **53**
Grommet, Remote, **67**
Grommet, Rubber, **57**
Grommet, Stator Housing, **63**
Ground, Isolation, **54**
Guard, Belt, **56**
Guard, Starter, **11**
Guide, Control Box Card, **67**
Guide, Valve, **21**

H

Hanger, Coolant Tank, **48**
Harness Assy, Plug, **77**
Harness, Battery, **58**
Harness, Control, **68 , 69 , 71**
Harness, Control , **71**
Harness, Gauge Panel, **70**
Harness, Ground, **54**
Harness, Isolated Ground, **54**
Harness, Junction, **77**
Harness, Pigtail, **77**

Index

Harness, Pigtail (12"), **77**
Harness, Remote Extension, **77**
Harness, Remote Panel, **72 , 73 , 74 , 75**
Harnesses, **76 , 77**
Head Assy, Water Separator Replacement, **40**
Head, Cylinder, **21**
Heat Exchanger, **42**
Holder, Alternator Brush (24V), **36**
Holder, Delivery Valve, **20**
Holder, Governor Gear, **13**
Holder, Nozzle, **22 , 24**
Hose, Air Intake, **51**
Hose, Breather, **28**
Hose, Coolant, **45 , 53**
Hose, Coolant , **45**
Hose, Coolant Tank, **48**
Hose, Exhaust, **53**
Hose, Exhaust (Wet), **53**
Hose, Oil Drain, **49**
Hose, Coolant, **45**
Housing, Bracket, **55**
Housing, Flywheel, **11**
Housing, Generator Sound Shield, **57**

I

Impeller, Captive Water Pump, **33**
Impeller, Raw Water Pump, **46**
Indicator, Oil Level, **7**
Insulation, Door, **61**
Insulation, Duct, **62**
Insulation, Generator, Housing, **58**
Insulation, Housing, **57**
Insulation, Housing (Rear Cover), **57**
Insulation, Housing (Top), **57**
Insulation, Roof, **60**
Insulator, Terminal (Black), **58**
Insulator, Terminal (Red), **58**
Isolator, Generator/Engine Vibration, **55**
Isolator, Vibration, **57**

J

Joint, Breather Pipe, **28**
Joint, Eye, **17**

K

Key, Camshaft Feather, **9**
Key, Crankshaft, **8**
Key, Fuel Camshaft Woodruff, **13**
Key, Raw Water Pump, **46**
Kit, Adapter Fuel, 3/8", **37**
Kit, Adapter Fuel, 5/16", **37**
Kit, Adapter Metric, **37**
Kit, Belt Guard, **56**

Kit, Blank Panel, **68**
Kit, Coolant Recovery, **48**
Kit, Cruise, **79**
Kit, Door, **61**
Kit, Dry Exhaust, **53**
Kit, Exhaust, **53**
Kit, Gasket, **79**
Kit, Gauge Panel, **70**
Kit, Heat Exchanger Cap, **42**
Kit, Impeller, **79**
Kit, Isolated Ground, **54**
Kit, Keel Cooling, **45**
Kit, Low Coolant Sender, **53**
Kit, Major Water Service, **46**
Kit, Minor Water Service, **46**
Kit, Muffler, Fuel/Water Separator, **38**
Kit, Muffler, Marine, **38**
Kit, O-Ring, Water Separator, **40**
Kit, Panel, Duct , **62**
Kit, Panel, Front , **62**
Kit, Panel, Roof Extention, **62**
Kit, Remote Control Panel, **72**
Kit, Remote Fuel/Water Separator, **39**
Kit, Remote Gauge Panel, **75**
Kit, Remote Panel, **74**
Kit, Remote Switch Panel, **73**
Kit, Remote Water Separator Metal Bowl Replacement, **40**
Kit, Roof Panel, **60**
Kit, Sender, **27**
Kit, Siphon Break, **47**
Kit, Sound Shield, **60**
Kit, Terminal Boot , **58**
Kit, Water Separator, **38**

L

Label, Control , **69**
Label, Indicator, **72**
Labels, **79**
Latch, Door (1/4 Turn), **61**
Lever, Fork, **16**
Lever, Governor, **15**
Line, Flex Fuel, **39**
Line, Fuel (.25"), **37**
Line, Fuel (28.5"), **37**
Line, Fuel (38.5"), **37**

M

Manifold, Exhaust, **52 , 53**
Manifold, Intake, **51**
Meter, Hour, **69 , 73**
Meter, Volt (M14), **75**
Meter, Volt (M4), **74**
Mixer, Elbow (Wet), **53**
Mount, Engine, **55**

Index

Mounting, Printed Circuit Board, **65**
Muffler, **38**

O

O' Ring, **29 , 30**
O'Ring, Cylinder Block Pipe Pin, **7**
O'Ring, Cylinder Head , **21**
O'Ring, Gearcase, **32**
O'Ring, Gearcase Oil Fill Cover, **32**
O'Ring, Head Cover Oil Fill Cover, **28**
O'Ring, Heat Exchanger Cover, **42**
O'Ring, Hole Cover, **32**
O'Ring, Injection Pump, **20**
O'Ring, Oil Filter Cover, **32**
O'Ring, Oil Pickup Tube, **50**
O'Ring, Oil Pump Drive Gear, **8**
O'Ring, Raw Water Pump, **46**

P

Pan, Oil, **50**
Panel, Control, **69**
Panel, Control(Gnd), **69**
Panel, Deluxe Remote Control , **74**
Panel, Duct, **62**
Panel, Front, **62**
Panel, Gauge, Remote, **75**
Panel, Generator Housing, **58**
Panel, Generator, Housing, **58**
Panel, Housing, **57**
Panel, Remote, **72 , 75**
Panel, Remote Control, **72 , 73**
Panel, Roof, **60**
Panel, Roof End, **62**
Panel, Roof Extension, **62**
Panel, Roof Insulation (EXT), **62**
Panel, UMC Mounting, **65**
Pencil, Zinc, **42**
Piece, Distance, **24**
Piece, Nozzle, **24**
Pin, Cylinder Block Pipe, **7**
Pin, Cylinder Block Start Spring, **7**
Pin, Cylinder Block Straight, **7**
Pin, Injection Pump Clamp, **20**
Pin, Injection Pump Joint, **20**
Pin, Piston, **10**
Pin, Tappet Guide, **20**
Pipe, Injection, **22**
Pipe, Overflow, **22**
Pipe, Water Return, **27 , 33**
Piston, **10**
Plate, Breather Element, **28**
Plate, Injection Pump, **20**
Plate, Raw Water Pump Cover, **46**
Plate, Raw Water Pump Wear, **46**

Plate, Speed Control, **14**
Plug, **20**
Plug, Cylinder Block, **7**
Plug, Cylinder Head, **21**
Plug, Gearcase, **32**
Plug, Glow, **22**
Plug, Hex Pipe, **39**
Plug, Oil Filler, **29 , 30**
Plug, Oil Pan, **50**
Plug, Vent, **40**
Plug, Water Flange, **27**
Plunger, Pump, **20**
Pulley, Fan, **34 , 35**
Pulley, Fan Drive, **34 , 35**
Pump Assy, Water Separator, **40**
Pump, Fuel, **37**
Pump, Injection, **17 , 20**
Pump, Water, **33 , 45**

R

Rack, Injection Pump Control, **20**
Rectifier, Alternator (24V), **36**
Reducer, Bushing, **49**
Reducer, Hose Connector, **45**
Regulator, Alternator (24V), **36**
Relay, Isolated Ground Solenoid, **54**
Resistor (24V, 330 Ohms), **75**
Resistor (24V, 620 Ohms), **75**
Resistor (24V), **37**
Resonator, **51**
Resonator, Intake, **51**
Retainer, Spring, **26**
Retainer, Valve Spring, **25**
Ring, Raw Water Pump Retaining, **46**
Rivet, Drive Plastic, **68**
Rod, Camshaft Push, **9**
Rod, Connecting, **10**
Rod, Nozzle Holder Push, **24**
Rotor, Alternator (24V), **36**
Rotor, Generator, **63**
Rotor, Generator Exciter, **63**
Rotor, Oil Pump, **32**

S

Screw, Air Bleed, **20**
Seal, Bearing Case Oil, **12**
Seal, Endbell O'Ring, **63**
Seal, Gearcase Oil, **32**
Seal, Heat, **22**
Seal, Raw Water Pump Lip, **46**
Seal, Raw Water Pump Mechanical, **46**
Seal, Valve Stem, **25 , 26**
Seal, Water Pump Mechanical, **33**
Seal, Weather, **59**

Index

Seal, Weather (15.6'), **61**
Seat, Injection Pump Spring, **20**
Seat, Pressure Valve, **32**
Seat, Raw Water Pump Seal, **46**
Sender, Low Coolant, **53**
Sender, Oil Pressure, **49**
Sender, Water Temperature, **27**
Separator, Remote Fuel/Water, **39**
Separator, Remote Fuel/Water Separator, **39**
Separator, Remote Water, **40**
Separator, Water, **38**
Set, Piston Ring, **10**
Shaft, Fork Lever, **16**
Shaft, Governor, **13**
Shaft, Governor Weight, **13**
Shaft, Idle Gear, **9**
Shaft, Raw Water Pump, **46**
Shaft, Rocker Arm, **25 , 26**
Shaft, Stop Lever, **14**
Shield, Breather, **29 , 30**
Shield, Breather Oil, **28**
Shield, Engine Panel Sound, **61**
Shield, Engine Sound, **60**
Shield, Panel Engine Sound, **62**
Shim, Injection Pump, **17 , 20**
Shim, Injection Pump (.30mm), **17**
Sleeve, Air Intake, **51**
Sleeve, Crankshaft, **8**
Sleeve, Governor, **13**
Sleeve, Injection Pump Control, **20**
Spacer, Raw Water Pump, **46**
Spring, Alternator Brush (24V), **36**
Spring, Delivery Valve, **20**
Spring, Governor, **16**
Spring, Governor Start, **16**
Spring, Injection Pump Plunger, **20**
Spring, Nozzle, **24**
Spring, Pressure, **32**
Spring, Rocker Arm, **25 , 26**
Spring, Speed Control Plate Return, **14**
Spring, Valve, **25 , 26**
Standoff, Insulator, **67**
Starter (Mounting), **11**

Stator, Exciter, **63**
Stator, Generator, **63**
Stay, Alternator, **34 , 35**
Stopper, Camshaft, **9**
Stopper, Fuel Camshaft, **13**
Strainer, Water Pickup, **38**
Strap, Bond, **51 , 67**
Strap, Heat Exchanger Mounting, **42**
Stud, **53**
Switch, Manual Transfer (On/Off Shore), **78**
Switch, Pressure, **45**
Switch, Rocker (S11), **72 , 73 , 74**
Switch, Rocker (SPDT) (S11), **75**
Switch, Rocker, SPDT, **69**
Switch, Temperature (Wet), **53**
System, Cooling, **44**
System, Oil, **49**

T

Tank, Coolant Recovery, **48**
Tappet, Camshaft, **9**
Tappet, Injection Pump, **20**
Thermostat, **27**
Tub, Breather, **29 , 30**
Tube, Exhaust, **53**
Tube, Exhaust (Wet), **53**
Tube, Low Pressure Switch, **45**
Tube, Oil Pickup, **50**

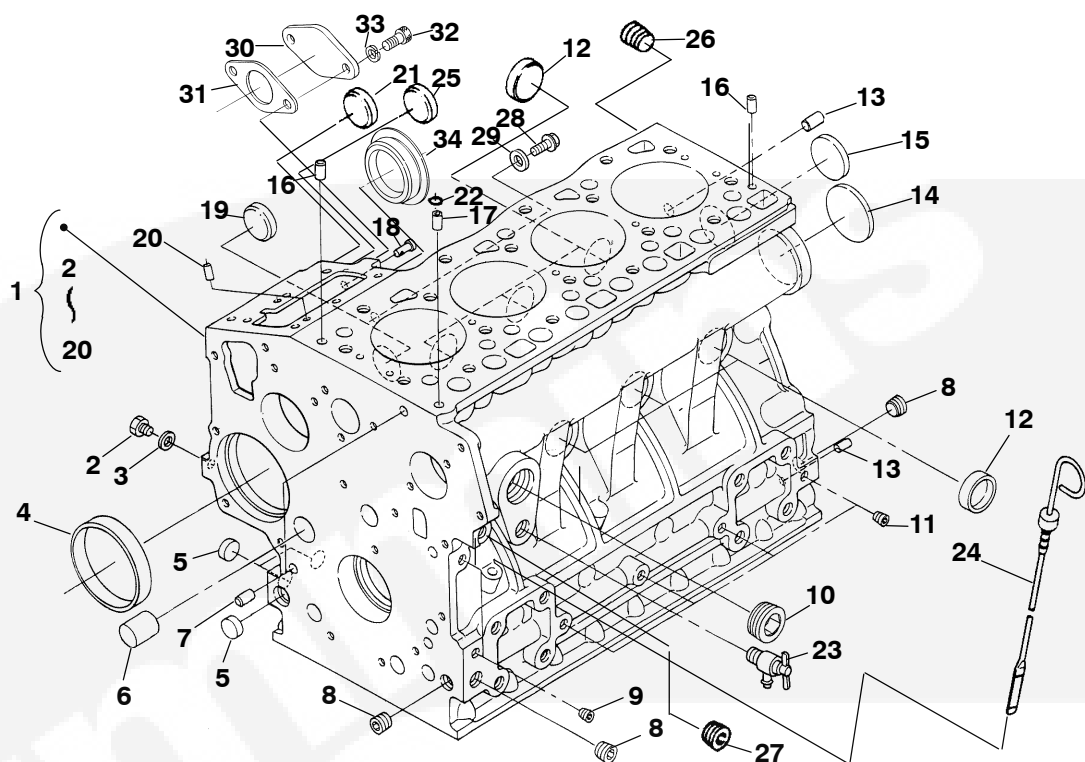
V

Valve, **25 , 26**
Valve, Delivery, **20**
Valve, Vacuum Relief, **47**

W

Water Separator/Muffler, **38**
Wedge, Gauge Panel Plug, **70**
Weight, Governor, **13**

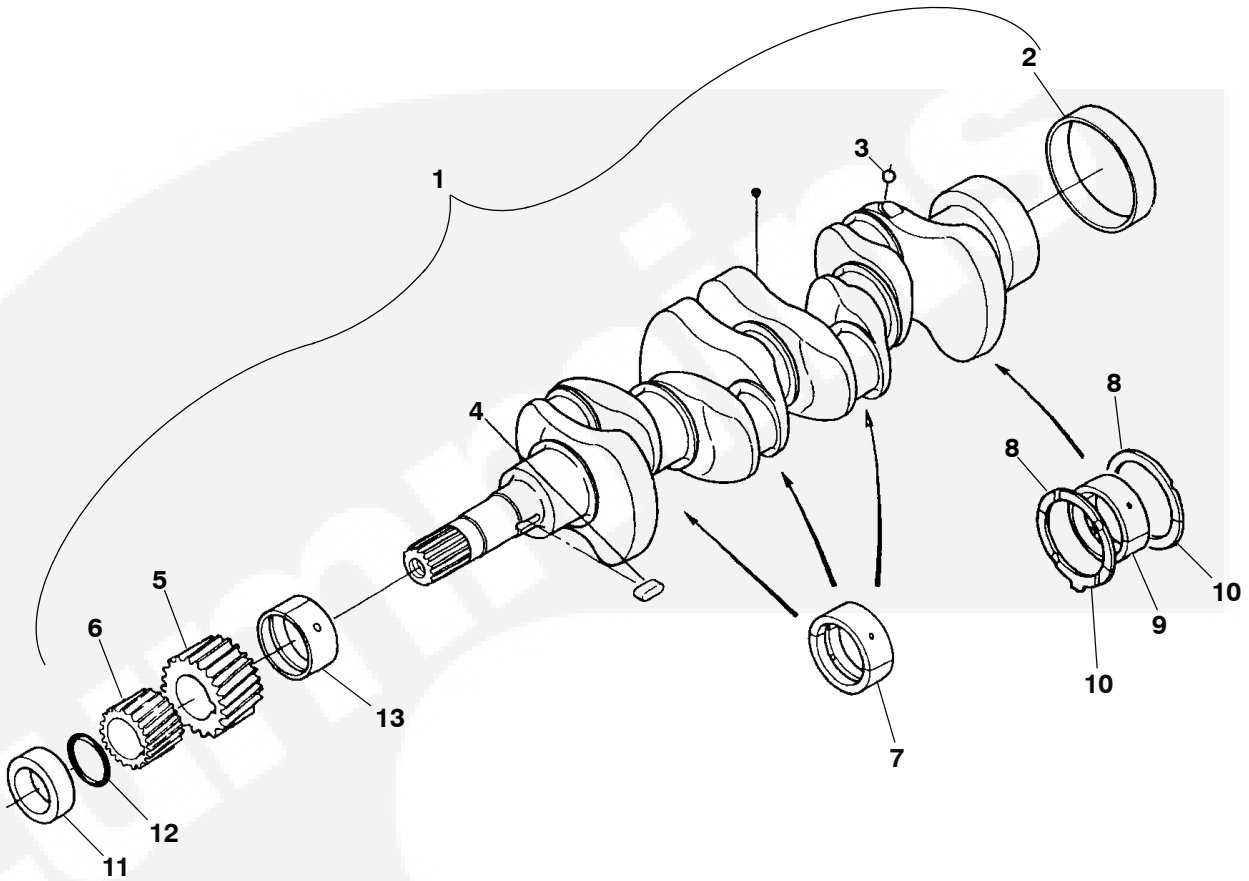
Cylinder Block



REF NO.	PART NO.	QTY. USED	PART DESCRIPTION	REF NO.	PART NO.	QTY. USED	PART DESCRIPTION
			Engine, Replacement	8	185-6468	3	*Plug
			MDKAV Spec A	9	185-2233	2	*Plug
	100-3944-01	1	12V	10	185-6856	1	*Plug
	100-3810-02	1	24V	11	185-2188	4	*Plug
			MDKAW Spec A	12	185-5484	6	*Cap, Sealing
	100-3615-01	1	12V	13	185-5487	2	*Pin, Straight
	100-3615-02	1	24V	14	185-6040	1	*Plug, Expansion
			MDKAZ Spec A	15	185-2412	1	*Cap, Sealing
	100-3620-01	1	12V	16			*Pin, Straight
	100-3620-02	1	24V		185-5843	2	Spec A
			MDKAV Begin Spec C		185-7420	2	Begin Spec C
	100-3944-01	1	12V	17	185-6469	1	*Pin, Pipe
	100-4101-02	1	24V	18			*Pin, Start Spring
			MDKAW Begin Spec C		185-6857	1	MDKAV
	100-4102-01	1	12V		185-2102	1	MDKAW, MDKAZ
	100-4102-02	1	24V	19	185-7212	1	*Plug
			MDKAZ Begin Spec C	20	185-5486	2	*Pin, Straight
	100-4102-01	1	12V	21	517-0440	1	Cap, Sealing
	100-4102-02	1	24V	22	185-2095	1	O'Ring Spec A
1			Block, Cylinder (Includes Parts Marked *)	23	185-5490	1	Cock Assy, Drain
			MDKAV	24	181-9121	1	Indicator, Oil Level
	185-7372	1	Spec A	25	185-7212	1	*Plug
	185-7417	1	Begin Spec C	26	185-6039	1	Plug (MDKAV Spec A)
			MDKAW	27	184-0072	1	Plug Square Head
	185-7245	1	Spec A	28	185-2572	1	Bolt, Flange
	185-7302	1	Spec A	29	185-2284	1	Gasket
2	185-5845	1	*Plug	30	333-0719	1	Cover, Solenoid
3	185-2338	1	*Gasket	31	184-0071	1	Gasket
4	185-6472	1	*Bush, Governor Gear	32	800-6548	2	Bolt, Hex Socket Head
5	185-6121	3	*Plug, Expansion	33	185-2380	2	Washer Spring
6	185-6471	1	*Plug	34	185-7223	1	Cover, Hydraulic Pump
7	185-2115	2	*Pin, Pipe				

* - Parts Included in Cylinder Block.

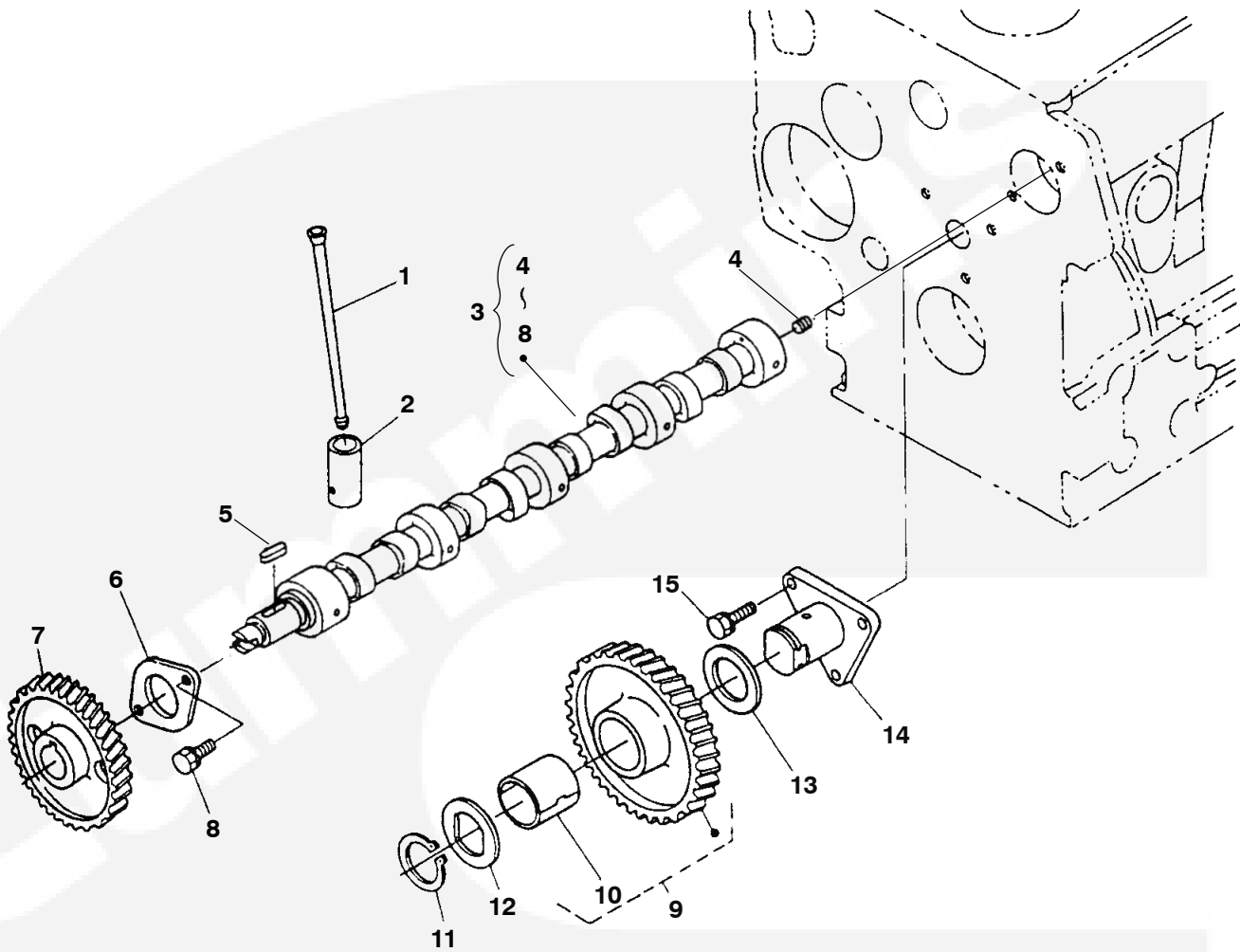
Crankshaft



REF NO.	PART NO.	QTY. USED	PART DESCRIPTION	REF NO.	PART NO.	QTY. USED	PART DESCRIPTION
1			Crankshaft (Includes Parts Marked *)	9			Bearing, Crankshaft
	185-7376	1	MDKAV		185-6552	1	Standard
	185-7249	1	MDKAW		185-6553	1	.2mm, Undersize
	185-7312	1	MDKAZ		185-6554	1	.4mm, Undersize
2	185-6543	1	*Sleeve, Crankshaft	10			Washer, Thrust
3			*Ball		185-5941	2	Standard
	185-5924	3	MDKAV		185-5942	2	.2mm, Oversize
	185-5924	4	MDKAW, MDKAZ		185-5943	2	.4mm, Oversize
4	185-6541	1	*Key	11	185-6544	1	Collar, Crankshaft
5	185-6540	1	*Gear, Crankshaft	12			O'Ring
6	185-6542	1	*Gear, Oil Pump Drive		185-6545	1	Standard
7			Bearing, Crankshaft		185-7429	1	.2mm, Oversize
	185-6549	2	MDKAV	13			Bearing, Crankshaft
	185-6550	2	Standard		185-6546	1	Standard
	185-6551	2	.2mm, Undersize		185-6547	1	.2mm, Undersize
			.4mm, Undersize		185-6548	1	.4mm, Undersize
			MDKAW, MDKAZ				
	185-6549	3	Standard				
	185-6550	3	.2mm, Undersize				
	185-6551	3	.4mm, Undersize				
8			Washer, Thrust				
	185-5938	2	Standard				
	181-9044	2	.2mm, Oversize				
	185-6556	2	.4mm, Oversize				

* - Parts Included With Crankshaft.

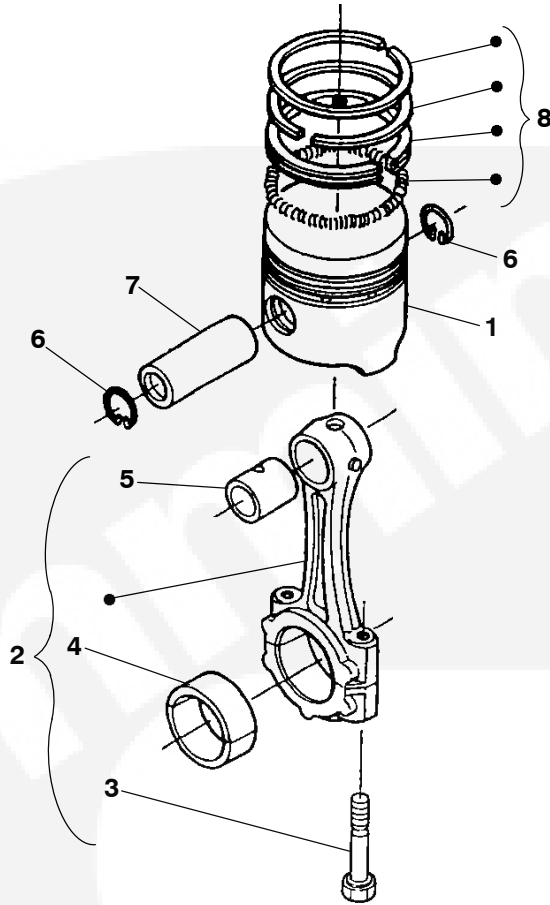
Camshaft



REF NO.	PART NO.	QTY. USED	PART DESCRIPTION	REF NO.	PART NO.	QTY. USED	PART DESCRIPTION
1	185-6517	6	Rod, Push	5	185-5560	1	*Key, Feather
	185-6517	8	MDKAV, MDKAZ	6	185-6520	1	*Stopper, Camshaft
2	185-6516	6	Tappet	7	185-6519	1	*Gear, Cam
	185-6516	8	MDKAV, MDKAZ	8	185-2388	2	*Bolt
3	185-6873	1	Camshaft Assy (Includes Parts Marked *)	9	185-6521	1	Gear Assy, Idle (Includes Bushing)
	185-6518	1	MDKAV (Spec A)	10	185-6522	1	Bushing, Idle Gear
	181-9120	1	MDKAW, MDKAZ (Spec A)	11	185-6525	1	Circlip, Idle Gear
	181-9126	1	MDKAV (Begin Spec C)	12	185-6524	1	Collar, Idle Gear
	181-9126	1	MDKAW, MDKAZ (Begin Spec C)	13	185-6523	1	Collar, Idle Gear
4	185-5558	1	*Screw, Set	14	185-6526	1	Shaft, Idle Gear
				15	185-2388	3	Bolt

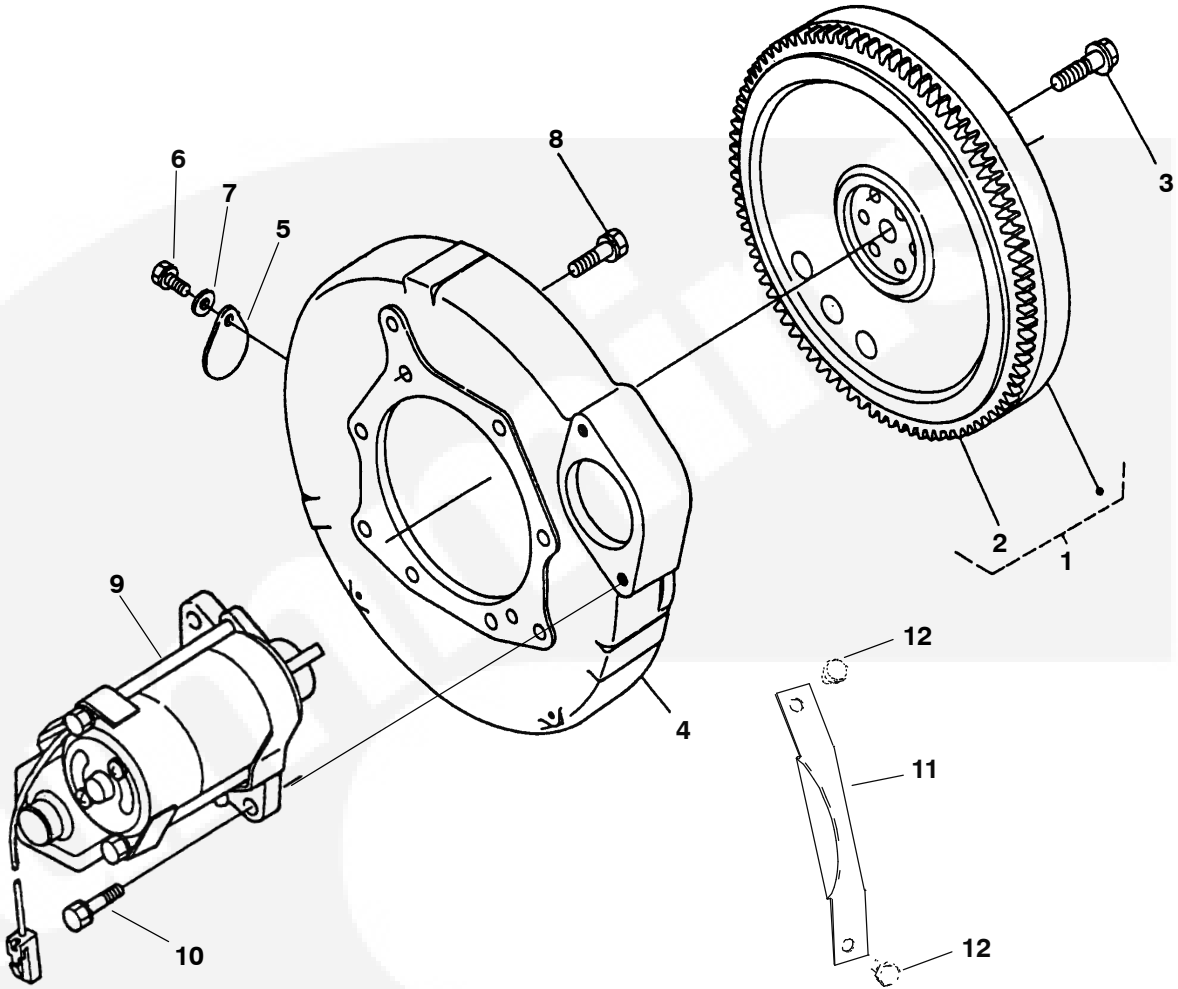
* - Parts Included in Camshaft Assy.

Piston



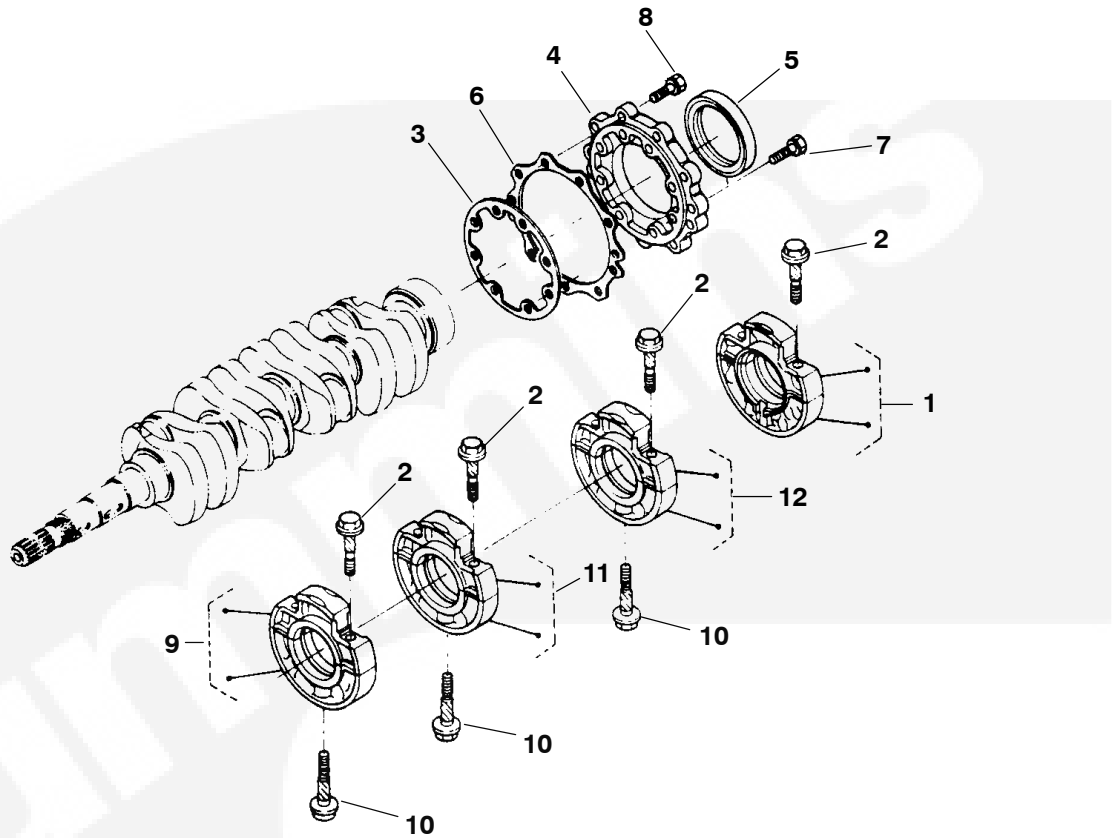
REF NO.	PART NO.	QTY. USED	PART DESCRIPTION	REF NO.	PART NO.	QTY. USED	PART DESCRIPTION
1			Piston	3			Bolt, Connecting Rod
			MDKAV	181-9102		8	Spec A
			Spec A	181-9102		8	Begin Spec C
	181-9091	3	Standard	4			Bearing, Connecting Rod
	185-7309	3	5mm, Oversize	185-6536		4	Standard
			Begin Spec C	185-6537		4	.2mm Undersize
	112-0319	3	Standard	185-6538		4	.4mm Undersize
	112-0303	3	5mm, Oversize	5			Bushing, Connecting Rod
			MDKAW	181-9101		8	Spec A
			Spec A	114-0450		8	Begin Spec C
	185-6745	4	Standard (Spec A)	6	185-6532	8	Circlip, Piston Pin
	185-6746	4	.5mm, Oversize	7	185-6531	4	Pin, Piston
			Begin Spec C	8			Ring Set, Piston
	185-6745	4	Standard				MDKAV
	185-6746	4	.5mm, Oversize	185-7310		3	Standard
			MDKAZ	185-7311		3	.5mm Oversize
			Spec A				MDKAW
	185-7308	4	Standard	185-6529		4	Standard
	185-7309	4	.5mm Oversize	185-6530		4	.5mm Oversize
			Begin Spec C				MDKAZ
	112-0319	4	Standard	185-7310		4	Standard
	112-0328	4	.5mm Oversize	185-7311		4	.5mm Oversize
2			Rod Assy, Connecting (Includes Bolt, Bearing and Bushing)				
	185-6533	4	Spec A				
	114-0430	4	Begin Spec C				

Flywheel

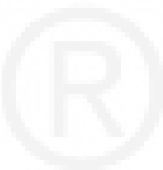


REF NO.	PART NO.	QTY. USED	PART DESCRIPTION	REF NO.	PART NO.	QTY. USED	PART DESCRIPTION
1	185-7217	1	Flywheel (Includes Ring Gear)	8	185-2178	8	Bolt
	185-7250	1	MDKAV	9			Starter
2	185-2170	1	MDKAW, MDKAZ		185-7104	1	12V
3	185-6409	6	Gear, Ring		185-7105	1	24V
4	185-7218	1	Bolt, Flywheel	10	185-2564	2	Screw
5	185-7219	1	Housing, Flywheel	11	191-2275-02	1	Guard, Starter (24V Grounded)
6	185-6956	1	Cover	12	815-0194	2	Screw, Hex Head (24V Grounded) (#10-32 x 3/8")
7	185-7221	1	Bolt				
			Washer, Plain				

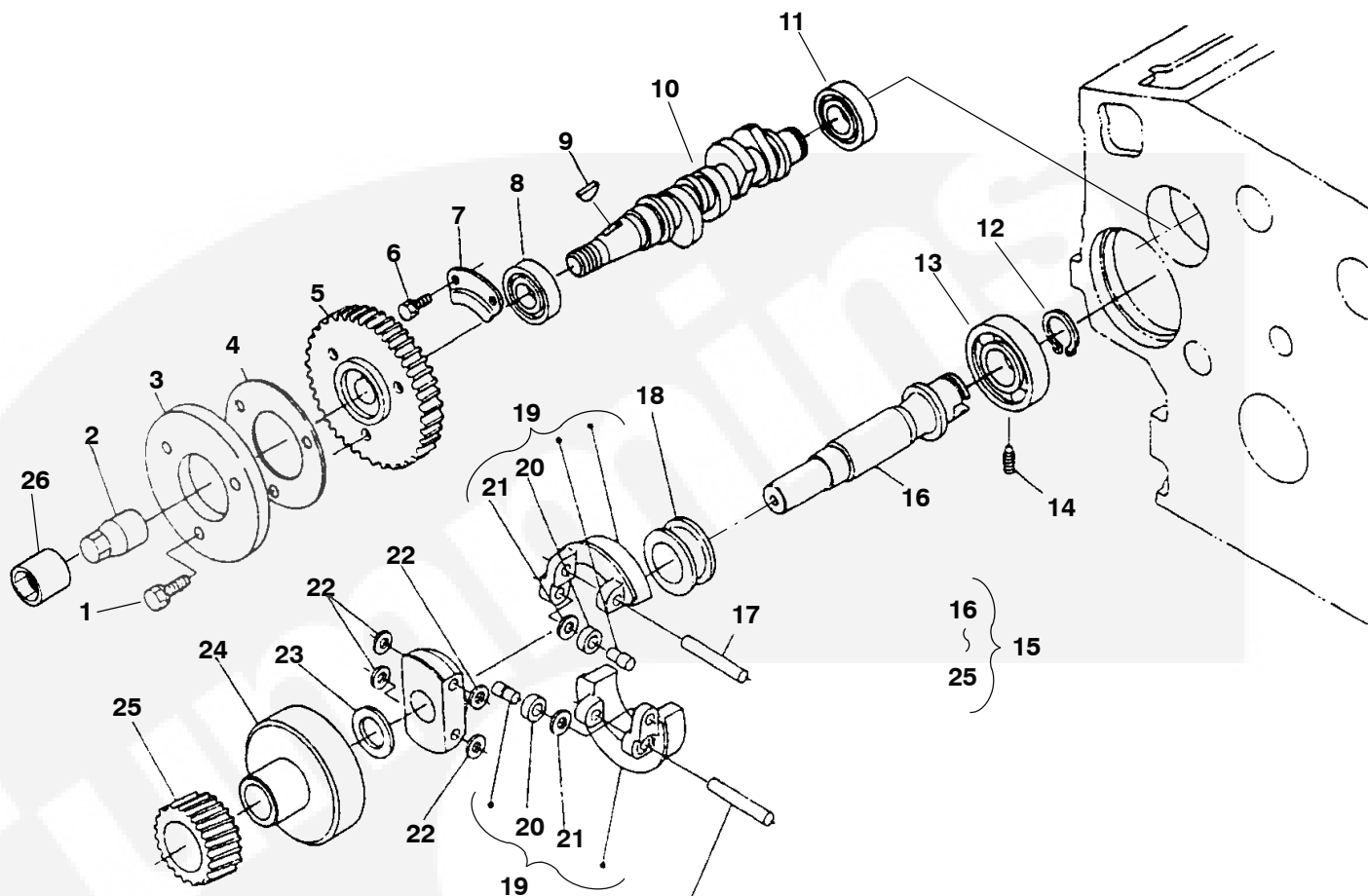
Main Bearing Case



REF NO.	PART NO.	QTY. USED	PART DESCRIPTION	REF NO.	PART NO.	QTY. USED	PART DESCRIPTION
1	104-2120	1	Case, Main Bearing	10			Bolt, Bearing Case
2	185-6507	6	Bolt, Bearing Case MDKAV	185-6513	2		MDKAV
	185-6507	8	MDKAW, MDKAZ	185-6513	3		MDKAW, MDKAZ
3	185-6869	1	Gasket, Bearing Case	11			Case, Main Bearing
4	185-6509	1	Cover, Bearing Case	185-7306	1		MDKAV, MDKAZ
5	185-6510	1	Seal, Oil	185-6514	1		MDKAW
6	185-6511	1	Gasket, Bearing Case Cover	12			Case, Main Bearing
7	185-2391	8	Bolt	185-6515	1		MDKAW (Spec A)
8	185-2390	9	Bolt	185-7305	1		MDKAZ (Spec A)
9			Case, Main Bearing	185-7307	1		MDKAW, MDKAZ (Begin Spec C)
	104-2118	1	MDKAV, MDKAZ (Spec A)				
	104-2118	1	MDKAW (Spec A)				
	185-7305	1	MDKAV, MDKAW, MDKAZ (Begin Spec C)				



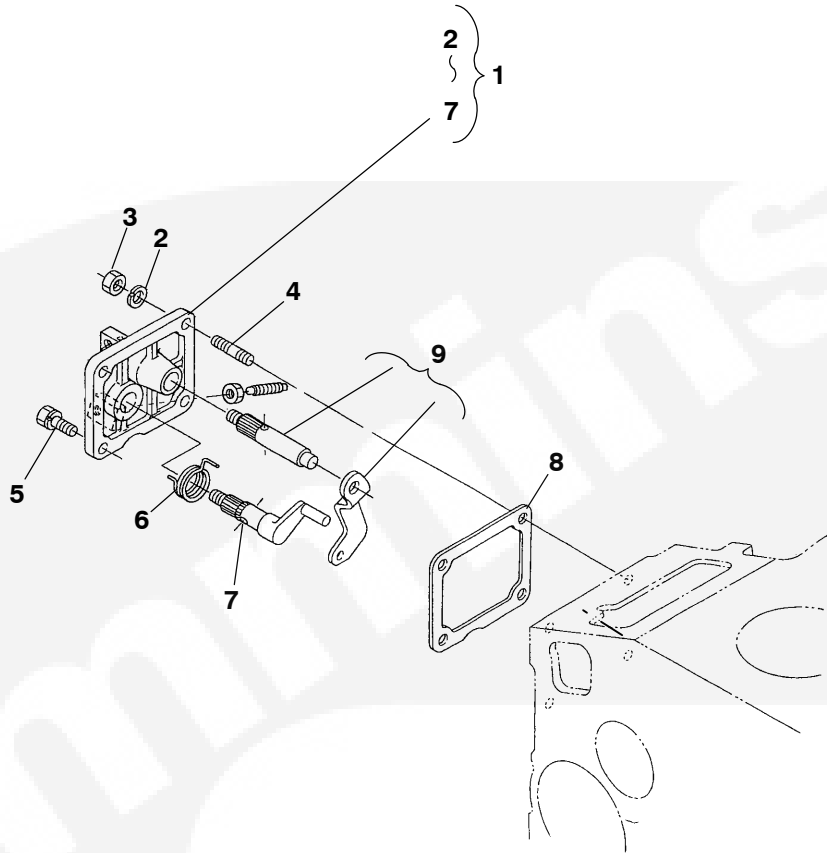
Fuel Camshaft



REF NO.	PART NO.	QTY USED	PART DESCRIPTION	REF NO.	PART NO.	QTY USED	PART DESCRIPTION
1	185-2389	3	Bolt Spec A	13	185-6571	1	Bearing, Ball
2	185-6560	1	Nut, Cap A	14	185-6573	1	Screw, Set
3	185-6876	1	Cam, Fuel Spec A	15			Shaft Assy, Governor (Includes Parts Marked *)
4	185-6879	1	Washer Spec A		185-6877	1	MDKAV
5			Gear, Injection Pump		185-6563	1	MDKAW, MDKAZ
	185-6558	1	Spec A	16			*Shaft, Governor
	181-9223	1	Begin Spec C		185-6878	1	MDKAV
6			Bolt		185-6564	1	MDKAW, MDKAZ
	185-2386	2	Spec A	17	185-6569	2	*Shaft, Governor Weight
	185-2388	2	Begin Spec C	18	185-6570	1	*Sleeve, Governor
7	185-6562	1	Stopper, Fuel Camshaft	19	185-6567	2	*Weight, Governor (Includes Bearing and Washer)
8			Bearing, Ball	20	185-5959	2	Bearing
	185-3093	1	Spec A	21	185-5960	2	Washer
	181-9123	1	Begin Spec C	22	185-6568	4	*Washer, Governor Weight
9	185-6561	1	Key, Woodruff	23	185-6566	1	*Collar, Governor Shaft
10			Camshaft, Fuel	24	185-6880	1	*Holder, Governor Gear
	185-6875	1	MDKAV	25	185-6565	1	*Gear, Governor
	185-6741	1	MDKAW, MDKAZ	26	185-6560	1	Nut, Begin Spec C
11			Bearing, Ball				
	510-0163	1	Spec A				
	181-9122	1	Begin Spec C				
12	185-6572	1	Circlip, Governor Shaft				

* - Parts Included in Governor Shaft Assy.

Speed Control Plate

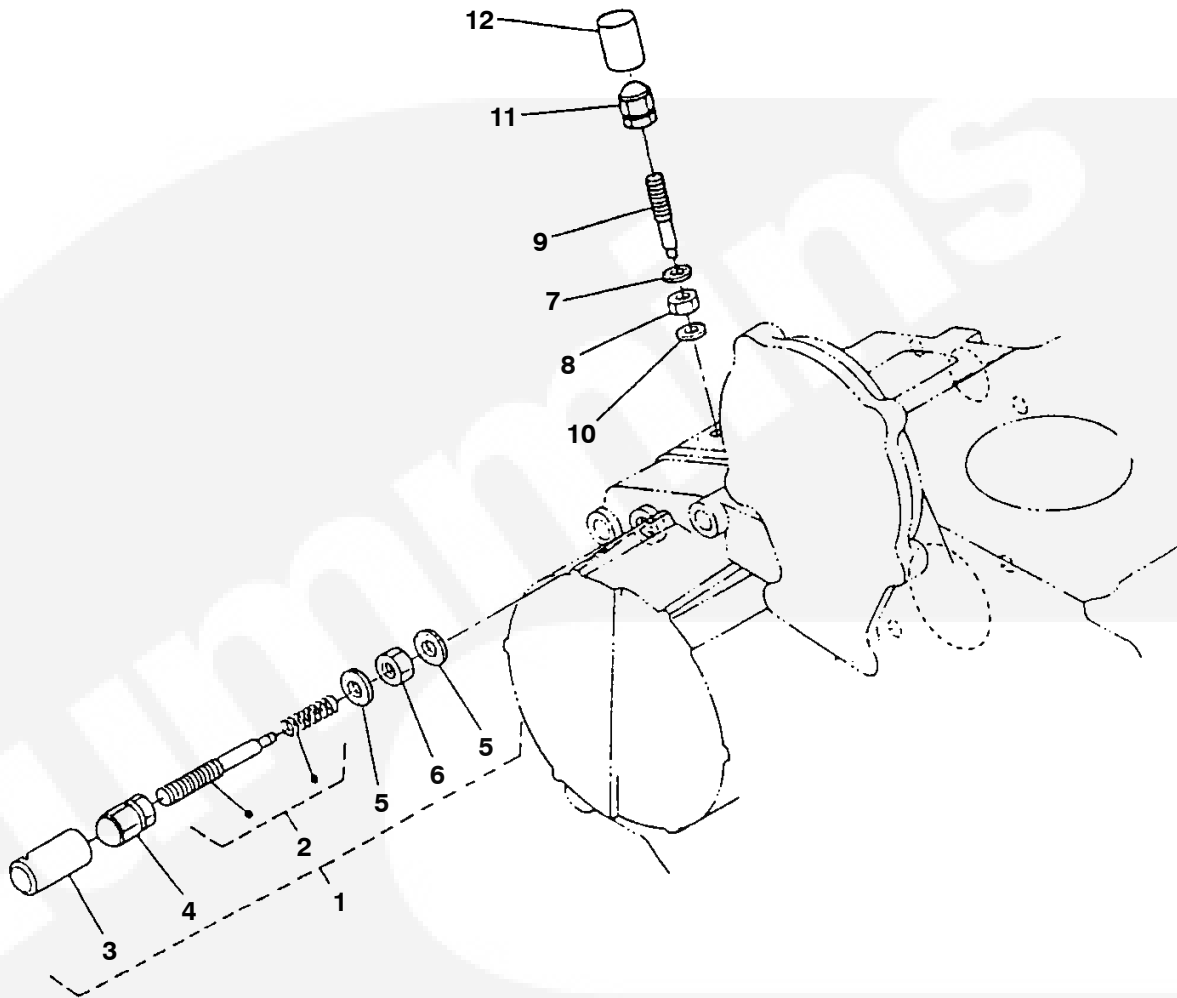


REF NO.	PART NO.	QTY USED	PART DESCRIPTION	REF NO.	PART NO.	QTY USED	PART DESCRIPTION
1	185-7256	1	Plate Assy, Control (Includes Parts Marked *)	6	185-6614	1	*Spring, Return
2	185-6759	2	Washer, Spring	7	185-6615	1	*Shaft, Stop Lever
3	185-4255	2	Nut	8	185-6894	1	Gasket
4	185-7434	2	Stud	9	185-6612	1	Comp. Lever, Gov
5	185-2388	1	Bolt				

* - Parts Included in Control Plate Assy.



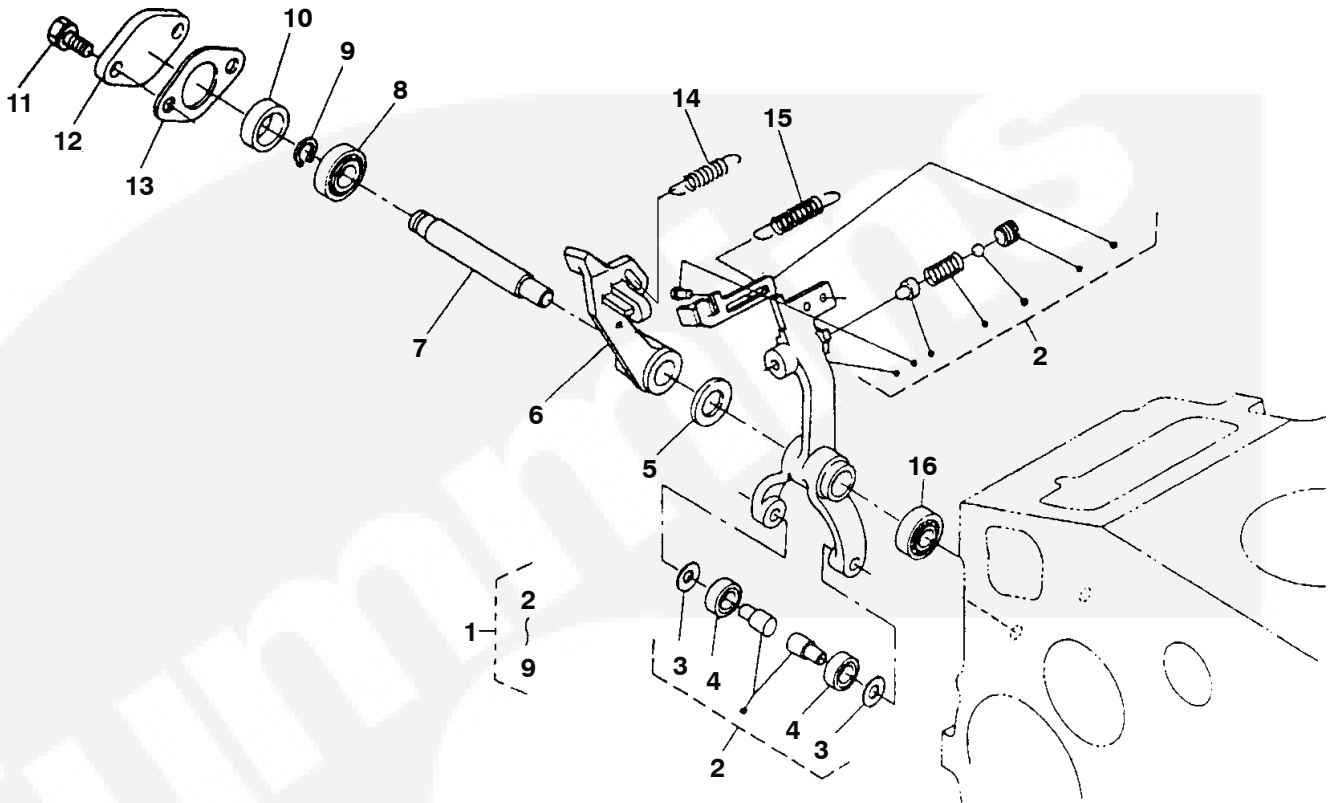
Governor Lever



REF NO.	PART NO.	QTY. USED	PART DESCRIPTION	REF NO.	PART NO.	QTY. USED	PART DESCRIPTION
1			Assy, Lever Governor (Includes Parts Marked *)	8	185-6931	1	Nut, Lock
	185-6574	1	Spec A	9	185-6577	1	Bolt, Adjusting
	181-9113	1	Begin Spec C	10			Gasket
2	185-6575	1	*Assy, Adjusting Bolt		185-7313	1	Spec A
3	185-6930	1	*Cap		185-7313		Begin Spec C
4			*Nut, Cap	11			Nut, Cap
	185-5685	1	Spec A		185-5685	1	Spec A
	181-9067	1	Begin Spec C		860-2075	1	Begin Spec C
5	185-2284	2	*Gasket	12	185-6932	1	Cap
6	185-5684	1	*Nut				
7	185-2284	1	Gasket				

* - Parts Included in Governor Lever Assy.

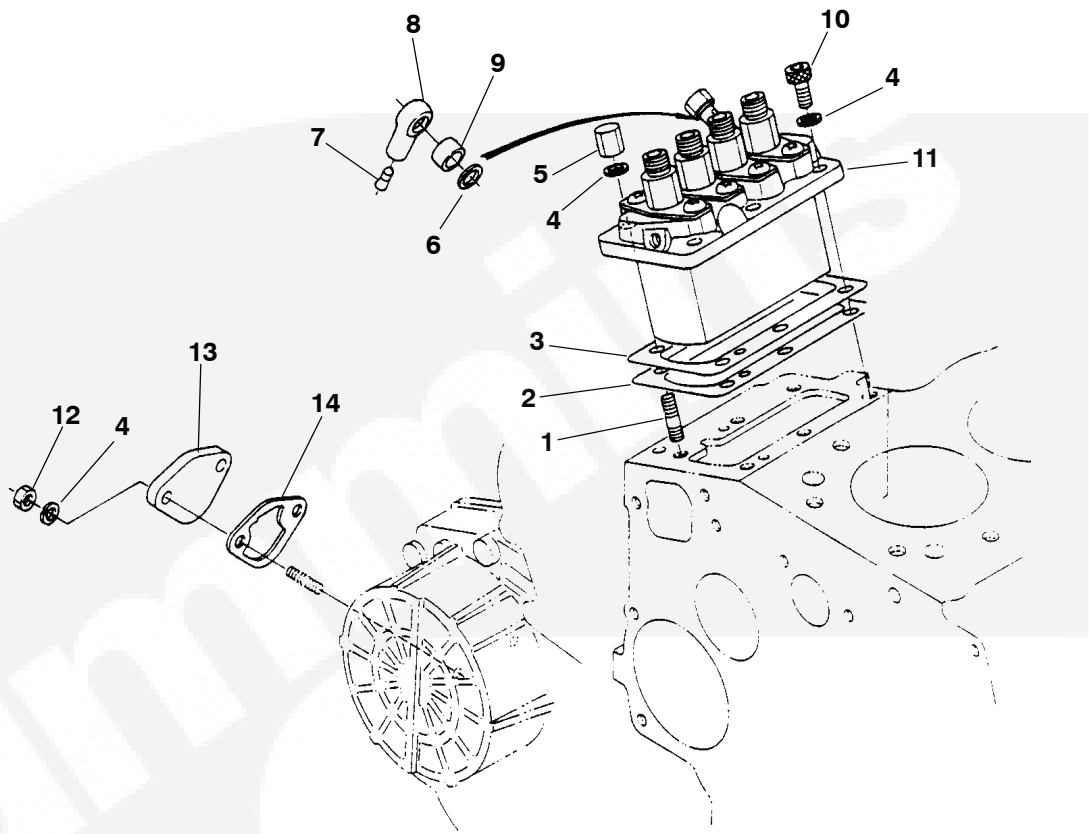
Governor



REF NO.	PART NO.	QTY. USED	PART DESCRIPTION	REF NO.	PART NO.	QTY. USED	PART DESCRIPTION
1			Lever Assy, Fork (Includes Parts Marked *)	12	185-6602	1	Cover, Fork Lever Shaft
	185-7254	1	Spec A	13	185-6603	1	Gasket
	181-9149	1	Begin Spec C	14			Spring, Governor
2			*Lever, Fork (Includes Washer and Bearing)				MDKAV
	185-7255	1	Spec A		185-7377	1	60 HZ Spec A
	185-7432	1	Begin Spec C		185-7378	1	50 Hz Spec A
3	185-5960	2	Washer		506-0033	1	Begin Spec C
4	185-5959	2	Bearing				MDKAW, MDKAZ
5	185-6163	1	*Washer, Plain		185-7253	1	Spec A
6	185-6598	1	*Lever, Fork	15			Spring, Start
7	185-6599	1	*Shaft, Fork Lever		185-6891	1	MDKAV
8	185-6600	1	*Bearing, Miniature				MDKAW, MDKAZ
9	185-6601	1	*Circlip, External		185-7252	1	Spec A
10	185-6604	1	Collar		185-6593	1	Begin Spec C
11	185-2387	2	Bolt	16	185-6605	1	Bearing, Miniature

* - Parts Included in Fork Lever Assy.

Injection Pump

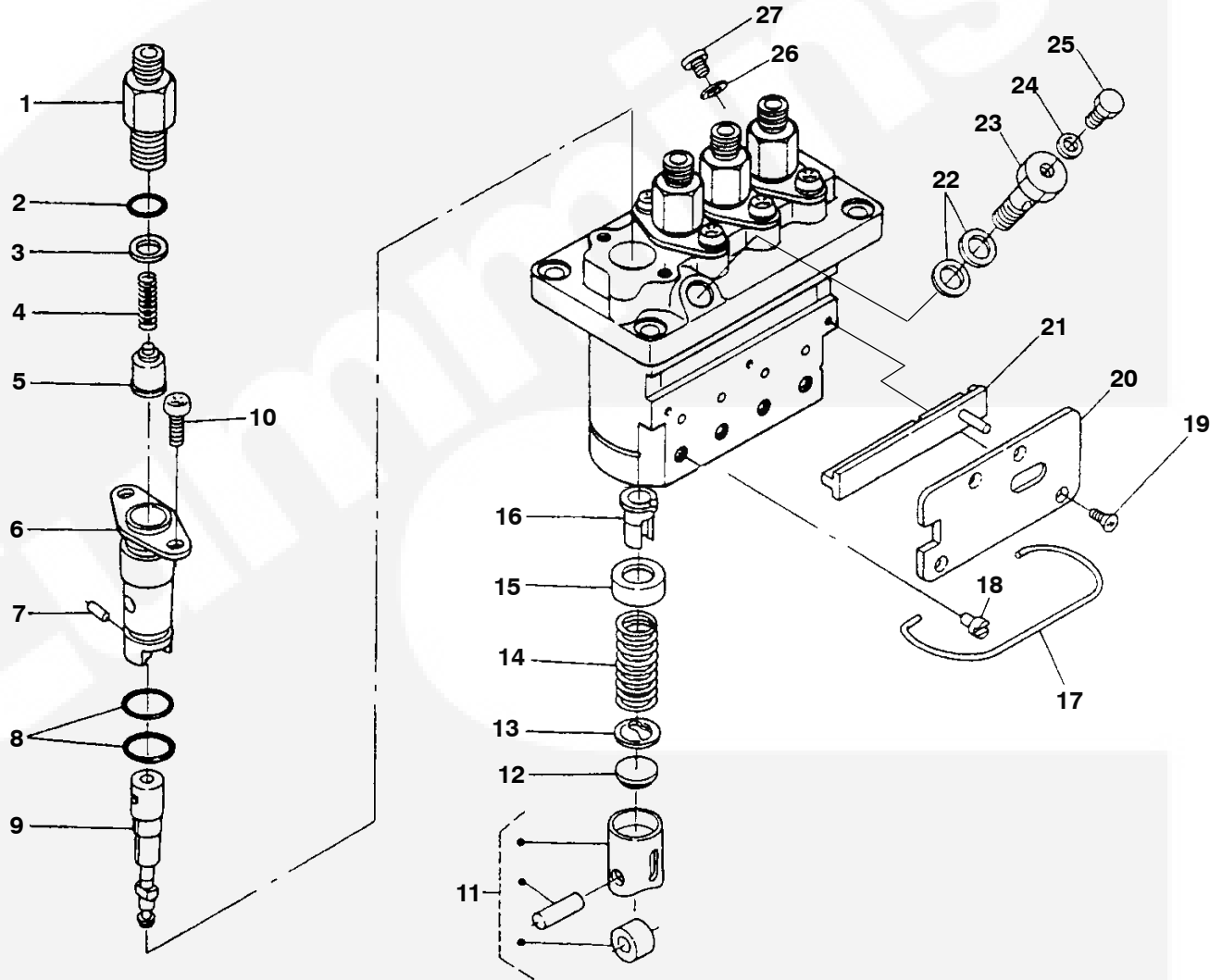


REF NO.	PART NO.	QTY. USED	PART DESCRIPTION	REF NO.	PART NO.	QTY. USED	PART DESCRIPTION
1	185-5624	3	Stud	7	185-6586	1	Cap
2	185-6845	1	Shim, Injection Pump (.30mm)	8	185-6584	1	Joint, Eye
3			Shim, Injection Pump	9	185-6585	1	Collar, Eye Joint
			MDKAV	10	185-5623	32	Bolt, Hex Socket Head
	185-6749	AR	.20mm	11			Pump Assy, Injection (See
	185-6739	AR	.25mm				Separate Page for
			MDKAW, MDKAZ				Components)
	185-6742	AR	.20mm		185-6882	1	MDKAV
	185-6743	AR	.25mm		185-6748	1	MDKAW, MDKAZ
4	185-6759	86	Washer, Spring	12	185-4255	2	Nut
5	185-5625	32	Nut, Cap	13	185-5798	1	Cover
6	185-2578	1	Gasket	14	185-6580	1	Gasket

"This page is intentionally left blank"



Injection Pump Components

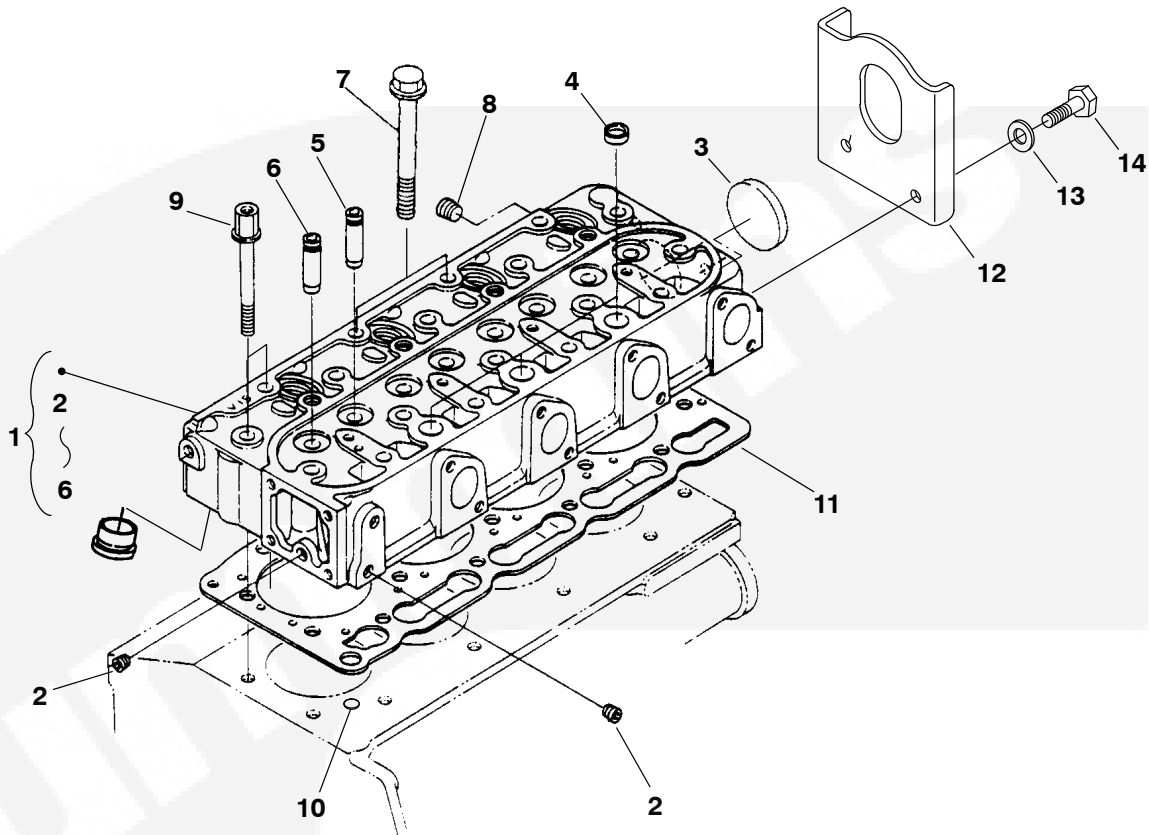


Injection Pump Components

REF NO.	PART NO.	QTY. USED	PART DESCRIPTION	REF NO.	PART NO.	QTY. USED	PART DESCRIPTION
			Pump Assy, Injection	12			Shim
	185-6882	1	MDKAV	185-5655	3	MDKAV	
	185-6748	1	MDKAW, MDKAZ	185-5655	4	MDKAW, MDKAZ	
1			Holder, Delivery Valve	13			Seat, Spring Lower
	185-6588	3	MDKAV	185-5654	3	MDKAV	
	185-6588	4	MDKAW, MDKAZ	185-5654	4	MDKAW, MDKAZ	
2			O'Ring	14			Spring, Plunger
	185-5643	3	MDKAV	185-5652	3	MDKAV	
	185-5643	4	MDKAW, MDKAZ	185-5652	4	MDKAW, MDKAZ	
3			Gasket, Delivery Valve	15			Seat, Spring Upper
	185-5641	3	MDKAV	185-5653	3	MDKAV	
	185-5641	4	MDKAW, MDKAZ	185-5653	4	MDKAW, MDKAZ	
4			Spring, Delivery Valve	16			Sleeve, Control
	185-5640	3	MDKAV	185-5659	3	MDKAV	
	185-5640	4	MDKAW, MDKAZ	185-5659	4	MDKAW, MDKAZ	
5			Valve, Delivery	17			Pin, Clamp
	185-5639	3	MDKAV	185-6707	1	MDKAV	
	185-5639	4	MDKAW, MDKAZ	185-6589	1	MDKAW, MDKAZ	
6			Flange, Sleeve	18			Pin, Tappet Guide
	185-5644	3	MDKAV	185-5650	3	MDKAV	
	185-5644	4	MDKAW, MDKAZ	185-5650	4	MDKAW, MDKAZ	
7			Pin, Joint	19			Screw, Countersunk Head
	185-5645	3	MDKAV	185-5658	4	MDKAV	
	185-5645	4	MDKAW, MDKAZ	185-5658	5	MDKAW, MDKAZ	
8			O'Ring	20			Plate
	185-5646	6	MDKAV	185-6886	1	MDKAV	
	185-5646	8	MDKAW, MDKAZ	185-7251	1	MDKAW, MDKAZ	
9			Plunger, Pump	21	185-6885	1	Rack, Control
	185-6884	3	MDKAV	22	185-5661	2	Gasket
	185-6884	4	MDKAW, MDKAZ	23	185-6887	1	Bolt, Joint
10			Screw	24	185-5663	1	Gasket
	185-5647	6	MDKAV	25	185-5662	1	Screw, Air Bleed
	185-5647	8	MDKAW, MDKAZ	26	185-5820	1	Gasket (MDKAV)
11			Tappet	27	185-6888	1	Plug (MDKAV)
	185-5649	3	MDKAV				
	185-5649	4	MDKAW, MDKAZ				



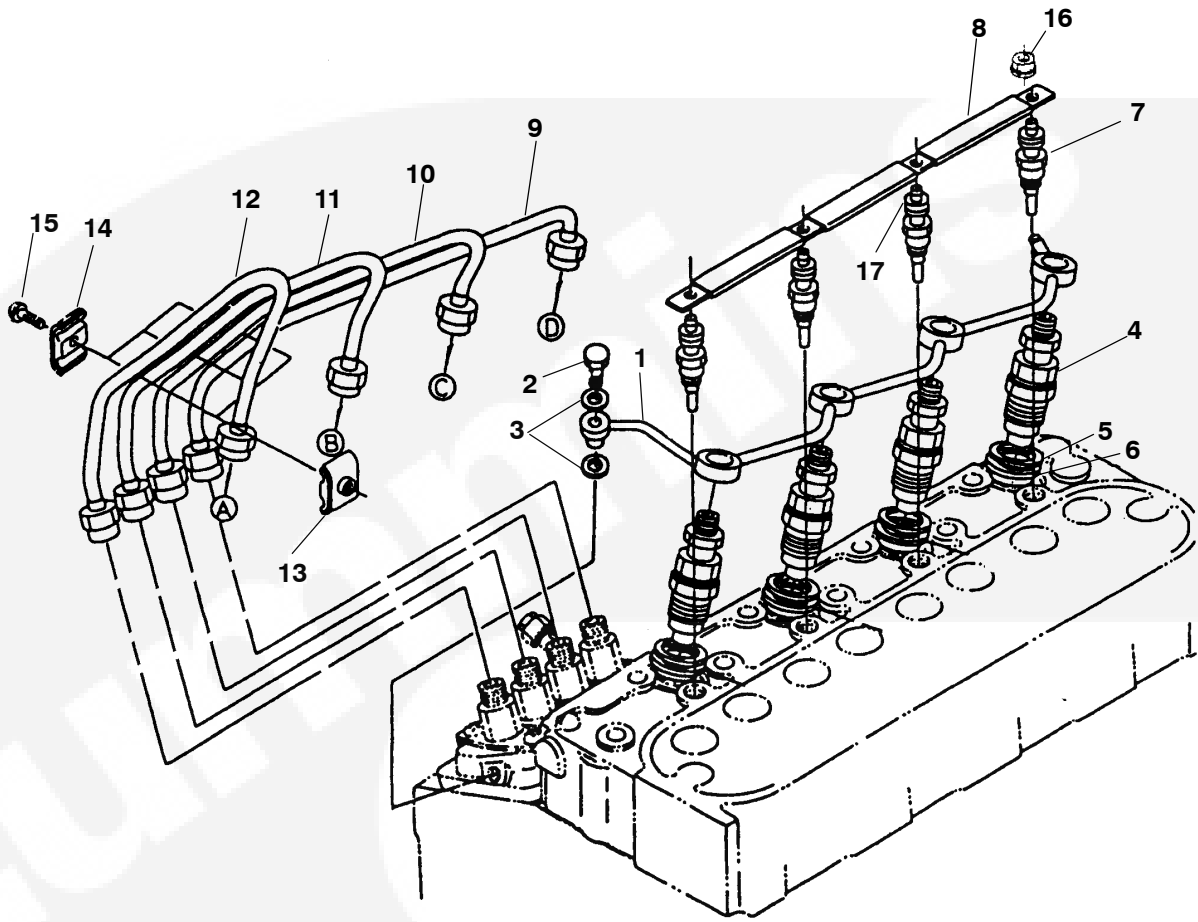
Cylinder Head



REF NO.	PART NO.	QTY. USED	PART DESCRIPTION	REF NO.	PART NO.	QTY. USED	PART DESCRIPTION
1			Head Assy, Cylinder (Includes Parts Marked *)	10	185-2095	1	O'Ring (Spec A)
	185-7374	1	MDKAV	11			Gasket, Cylinder Head MDKAV
	185-6747	1	MDKAW		185-7422	1	Spec A
	185-7303	1	MDKAZ		181-9222	1	Begin Spec C
2	185-2188	2	*Plug				MDKAW
3	185-2411	1	*Cap, Sealing		185-6478	1	Spec A
4	185-2413	3	*Cap, Sealing		181-9225	1	Begin Spec C
5			*Guide, Exhaust Valve				MDKAZ
	185-6476	4	Spec A		185-7304	1	Spec A
	181-9119	4	Begin Spec C		110-3965	1	Begin Spec C
6			*Guide, Inlet Valve	12	403-4284-02	1	Bracket, Lifting
	185-6475	4	Spec A	13	526-0399-60	2	Washer, Flat (M8)
	185-5862	4	Begin Spec C	14	800-3017-18	2	Screw, Hex Head Cap (M8 x 1.25 x 16mm)
7	185-6477	16	Bolt, Cylinder Head				
8	185-5502	1	Plug (MDKAW, MDKAZ Spec A)				
9	185-6479	2	Bolt, Cylinder Head				

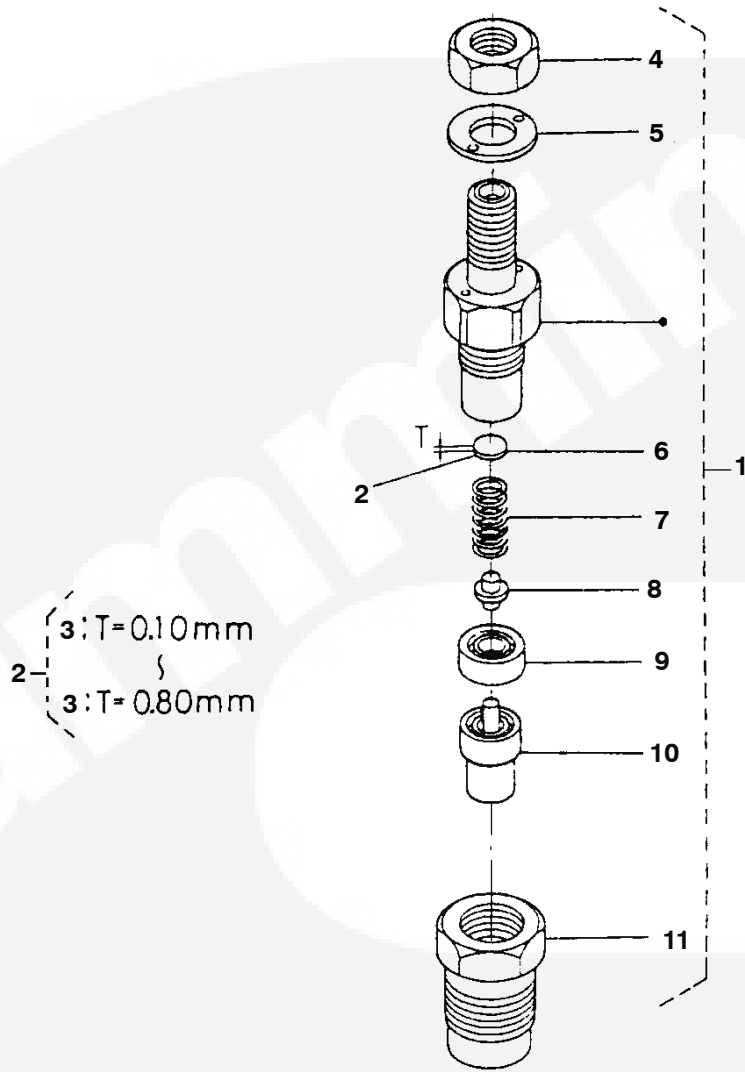
* - Parts Included in Cylinder Head Assy.

Nozzle Holder and Glow Plug



REF NO.	PART NO.	QTY. USED	PART DESCRIPTION	REF NO.	PART NO.	QTY. USED	PART DESCRIPTION
1	185-7106	1	Pipe, Overflow	8	185-6899	1	Cord, Glow Plug
	185-7265	1	MDKAV		185-6624	1	MDKAV
2	185-7082	1	MDKAW, MDKAZ	9	185-7266	1	MDKAW, MDKAZ
3	185-2284	2	Screw, Air Bleeder	10	185-6621	1	Pipe, Injection
4			Gasket	11	185-6751	1	Pipe, Injection
			Holder Assy, Nozzle (See Separate Page for Components)	12	185-6750	1	Pipe, Injection
	185-6740	3		13			Clamp, Pipe
	185-6740	4	MDKAV		185-5612	2	MDKAV
5			Gasket		185-5612	3	MDKAW, MDKAZ
	185-5337	3	MDKAV	14			Clamp, Pipe
	185-5337	4	MDKAW, MDKAZ		185-2345	2	MDKAV
6			Seal, Heat		185-2345	3	MDKAW, MDKAZ
	185-5985	3	MDKAV	15			Screw, Washer Head
	185-5985	4	MDKAW, MDKAZ		185-2385	2	MDKAV
7			Plug, Glow		185-2385	3	MDKAW, MDKAZ
			MDKAV	16			Nut, Flange
	185-5421	3	12V		185-5615	3	MDKAV
	185-7268	3	24V		185-5615	4	MDKAW, MDKAZ
			MDKAW, MDKAZ	17			Washer, Plain
	185-5421	4	12V		185-7004	3	MDKAV
	185-7268	4	24V		185-7004	4	MDKAW, MDKAZ

Nozzle Holder Components



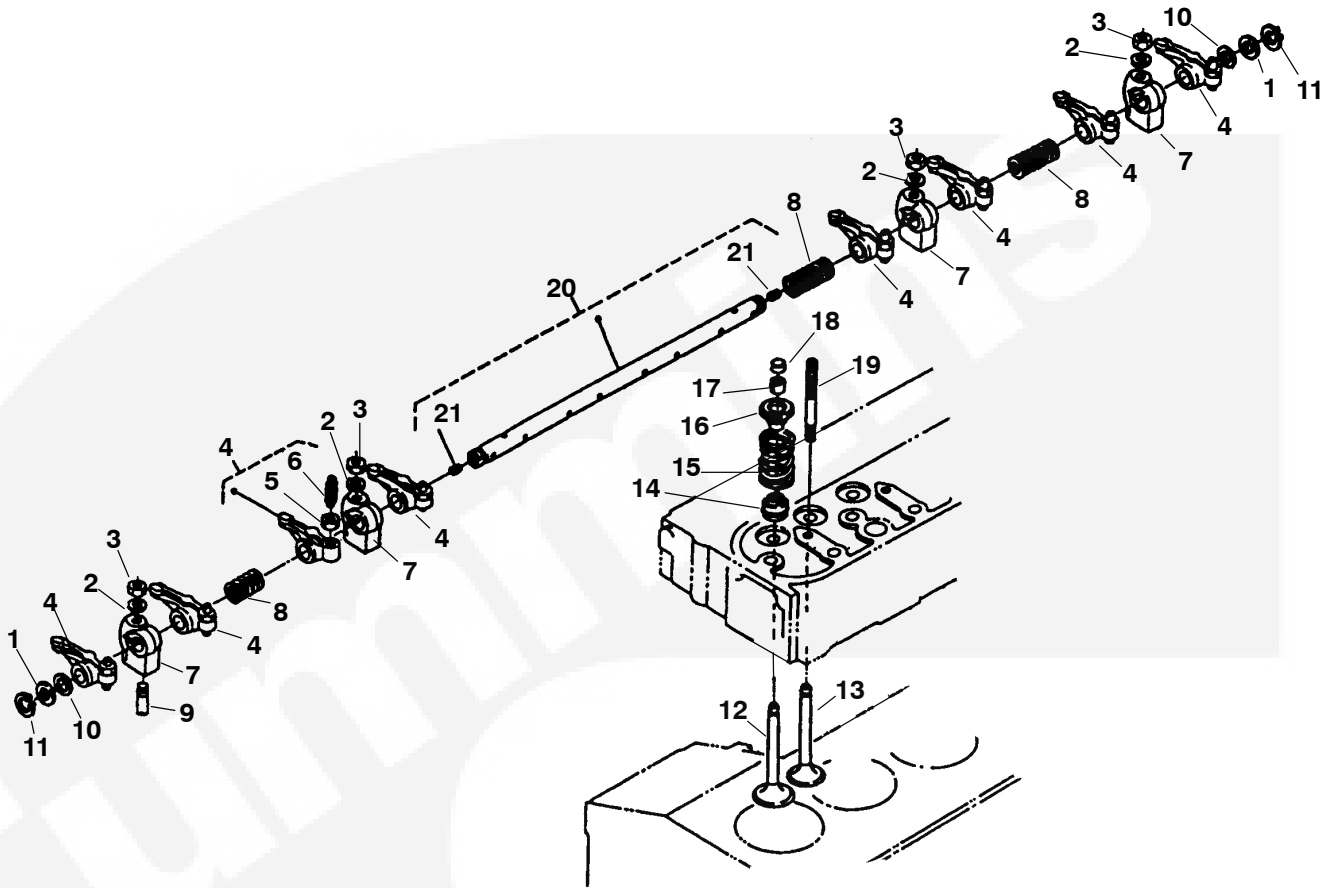
Nozzle Holder Components

REF NO.	PART NO.	QTY USED	PART DESCRIPTION	REF NO.	PART NO.	QTY USED	PART DESCRIPTION
1			Holder Assy, Nozzle (Includes Parts Marked *)	4			*Nut
	185-6740	3	MDKAV		185-6900	3	MDKAV
	185-6740	4	MDKAW, MDKAZ		185-6900	4	MDKAW, MDKAZ
2			*Washer Assy, Adjust (Includes Adjusting Washers)	5			*Washer, Plain
	185-6908	3	MDKAV		185-6906	3	MDKAV
	185-6908	4	MDKAW, MDKAZ		185-6906	4	MDKAW, MDKAZ
3			Washer, Adjusting	6			*Washer, Adjusting
	185-6909	3	MDKAV		185-6901	3	MDKAV
	185-6910	3	.10mm		185-6901	4	MDKAW, MDKAZ
	185-6911	3	.20mm	7			*Spring, Nozzle
	185-6912	3	.30mm		185-6902	3	MDKAV
	185-6913	3	.40mm		185-6902	4	MDKAW, MDKAZ
	185-6914	3	.50mm	8			*Rod, Push
	185-6915	3	.52mm		185-6904	3	MDKAV
	185-6916	3	.54mm		185-6904	4	MDKAW, MDKAZ
	185-6917	3	.56mm	9			*Piece, Distance
	185-6918	3	.58mm		185-6903	3	MDKAV
			MDKAW, MDKAZ		185-6903	4	MDKAW, MDKAZ
	185-6909	4	.80mm	10			*Piece, Nozzle
	185-6910	4	.10mm		185-6907	3	MDKAV
	185-6911	4	.20mm		185-6907	4	MDKAW, MDKAZ
	185-6912	4	.30mm	11			*Nut, Nozzle*
	185-6913	4	.40mm		185-6905	3	MDKAV
	185-6914	4	.50mm		185-6905	4	MDKAW, MDKAZ
	185-6915	4	.52mm				
	185-6916	4	.54mm				
	185-6917	4	.56mm				
	185-6918	4	.58mm				
	185-6918	4	.80mm				

* - Parts Included in Nozzle Holder Assy.

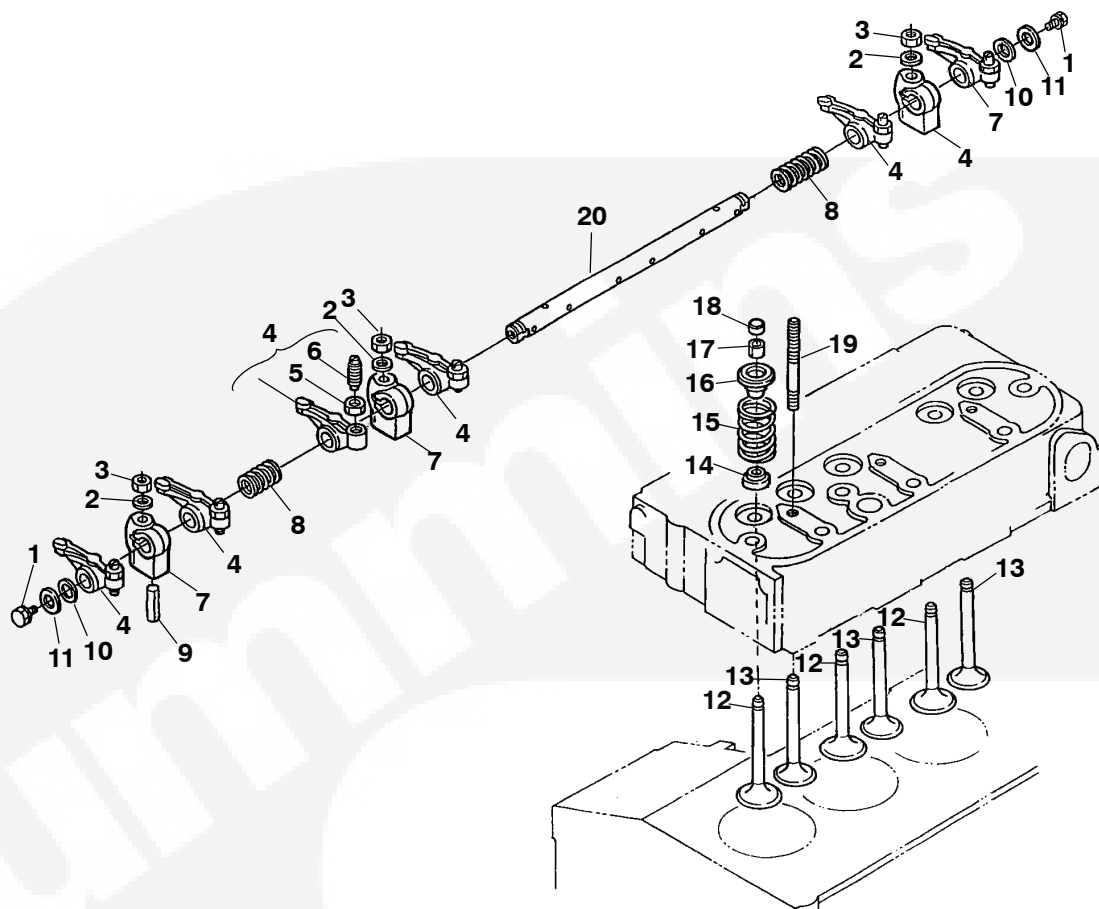


Valve and Rocker Arm (Spec A)



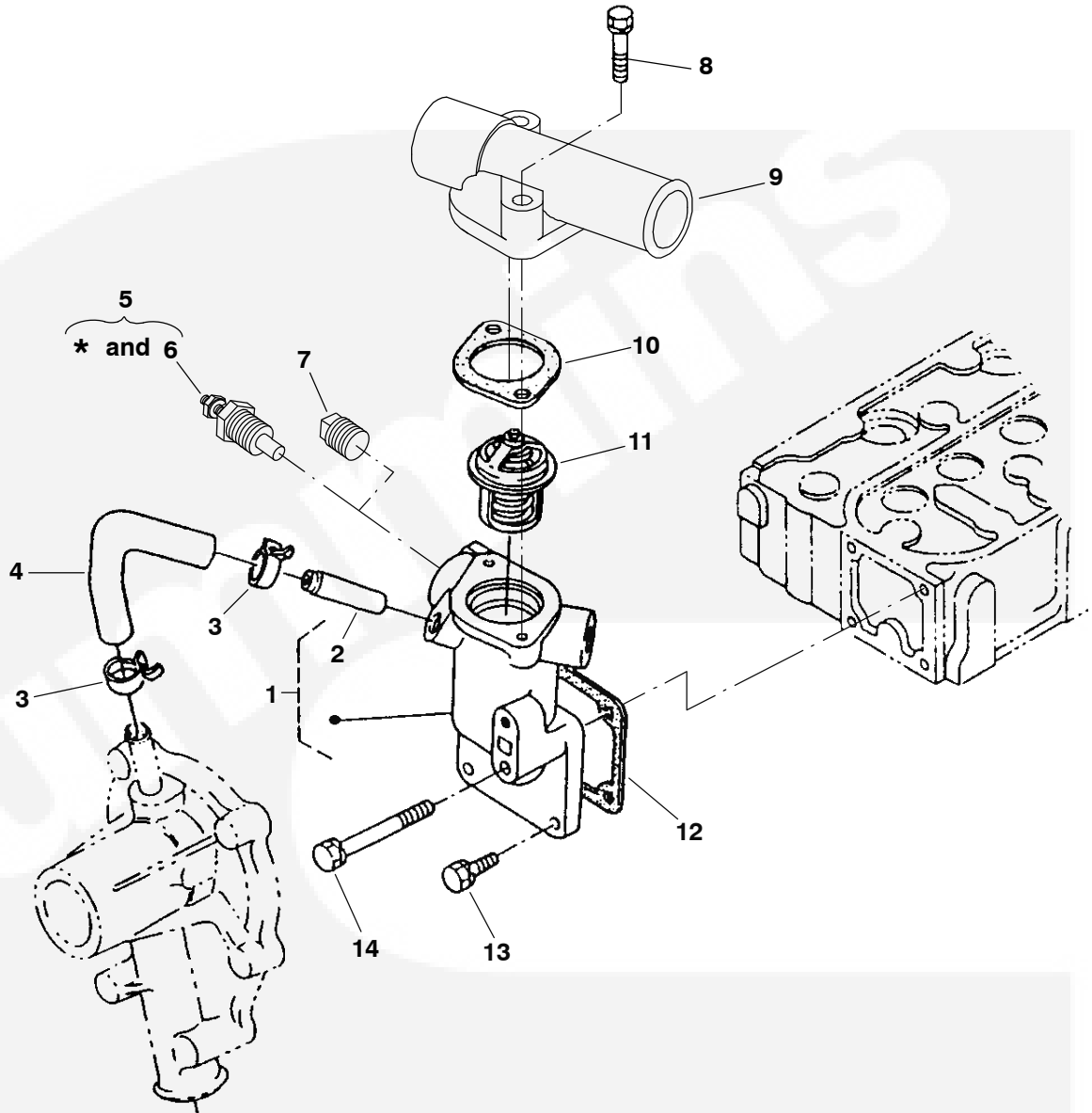
REF NO.	PART NO.	QTY. USED	PART DESCRIPTION	REF NO.	PART NO.	QTY. USED	PART DESCRIPTION
1	185-6690	2	Washer, Rocker Arm Shaft	13	185-6681	4	MDKAW, MDKAZ
2	185-2184	3	Washer, Plain	13	185-6682	3	Valve, Exhaust
	185-2184	4	MDKAV	13	185-6682	3	MDKAV
	185-2184	4	MDKAW, MDKAZ	13	185-6682	4	MDKAW, MDKAZ
3			Nut	14			Seal, Valve Stem
	185-2179	3	MDKAV	14	185-7300	6	MDKAV
	185-2179	4	MDKAW, MDKAZ	14	185-7300	8	MDKAW, MDKAZ
4			Arm Assy, Rocker (Includes Screw and Nut)	15			Spring, Valve
	185-6693	6	MDKAV	15	185-6683	6	MDKAV
	185-6693	8	MDKAW, MDKAZ	15	185-6683	8	MDKAW, MDKAZ
5			Nut	16			Retainer, Valve Spring
	185-6695	6	MDKAV	16	185-2076	6	MDKAV
	185-6695	8	MDKAW, MDKAZ	16	185-2076	8	MDKAW, MDKAZ
6			Screw, Adjusting	17			Collet, Valve Spring
	185-6694	6	MDKAV	17	110-3827	6	MDKAV
	185-6694	8	MDKAW, MDKAZ	17	110-3827	8	MDKAW, MDKAZ
7			Bracket, Rocker Arm	18			Cap, Valve
	185-6687	3	MDKAV	18	185-2080	6	MDKAV
	185-6687	4	MDKAW, MDKAZ	18	185-2080	8	MDKAW, MDKAZ
8			Spring, Rocker Arm	19			Stud
	185-6691	2	MDKAV	19	185-6688	3	MDKAV
	185-6691	3	MDKAW, MDKAZ	19	185-6688	4	MDKAW, MDKAZ
9	185-2072	1	Screw, Rocker Arm Set	20			Shaft Assy, Rocker Arm (Includes Screws)
10	185-6689	2	Washer, Rocker Arm Shaft	20	185-6923	1	MDKAV
11	185-6692	2	Circlip, External	20	185-6685	1	MDKAW, MDKAZ
12			Valve, Inlet	21	185-6686	2	Screw, Set
	185-6681	3	MDKAV				

Valve and Rocker Arm Begin Spec C



REF NO.	PART NO.	QTY USED	PART DESCRIPTION	REF NO.	PART NO.	QTY USED	PART DESCRIPTION
1	185-7395	2	Bolt	12			Valve, Inlet
2	185-2184	3	Washer, Plain MDKAV	185-6681	3		MDKAV
	185-2184	4	MDKAW, MDKAZ	185-6681	4		MDKAW, MDKAZ
3			Nut	13			Valve, Exhaust
	185-2179	3	MDKAV	185-6682	3		MDKAV
	185-2179	4	MDKAW, MDKAZ	185-6682	4		MDKAW, MDKAZ
4			Arm Assy, Rocker (Includes Screw and Nut)	14			Seal, Valve Stem
	185-6693	6	MDKAV	185-7300	6		MDKAV
	185-6693	8	MDKAW, MDKAZ	185-7300	8		MDKAW, MDKAZ
5			Nut	15			Spring, Valve
	185-6695	6	MDKAV	185-6683	6		MDKAV
	185-6695	8	MDKAW, MDKAZ	185-6683	8		MDKAW, MDKAZ
6			Screw, Adjusting	16			Retainer, Spring
	185-6694	6	MDKAV	185-2076	6		MDKAV
	185-6694	8	MDKAW, MDKAZ	185-2076	8		MDKAW, MDKAZ
7			Bracket, Rocker Arm	17			Collet, Valve Spring
	185-6687	3	MDKAV	110-3827	6		MDKAV
	185-6687	4	MDKAW, MDKAZ	110-3827	8		MDKAW, MDKAZ
8			Spring, Rocker Arm	18			Cap, Valve
	185-6691	2	MDKAV	185-2080	6		MDKAV
	185-6691	3	MDKAW, MDKAZ	185-2080	8		MDKAW, MDKAZ
9	185-7441	1	Pin, Spring	19			Stud
10	185-6689	2	Washer, Rocker Arm Shaft	185-6688	3		MDKAV
11	185-2386	2	Bolt	185-6688	4		MDKAW, MDKAZ
				20			Shaft, Rocker Arm
				185-7439	1		MDKAV
				181-9100	1		MDKAW, MDKAZ

Water Flange

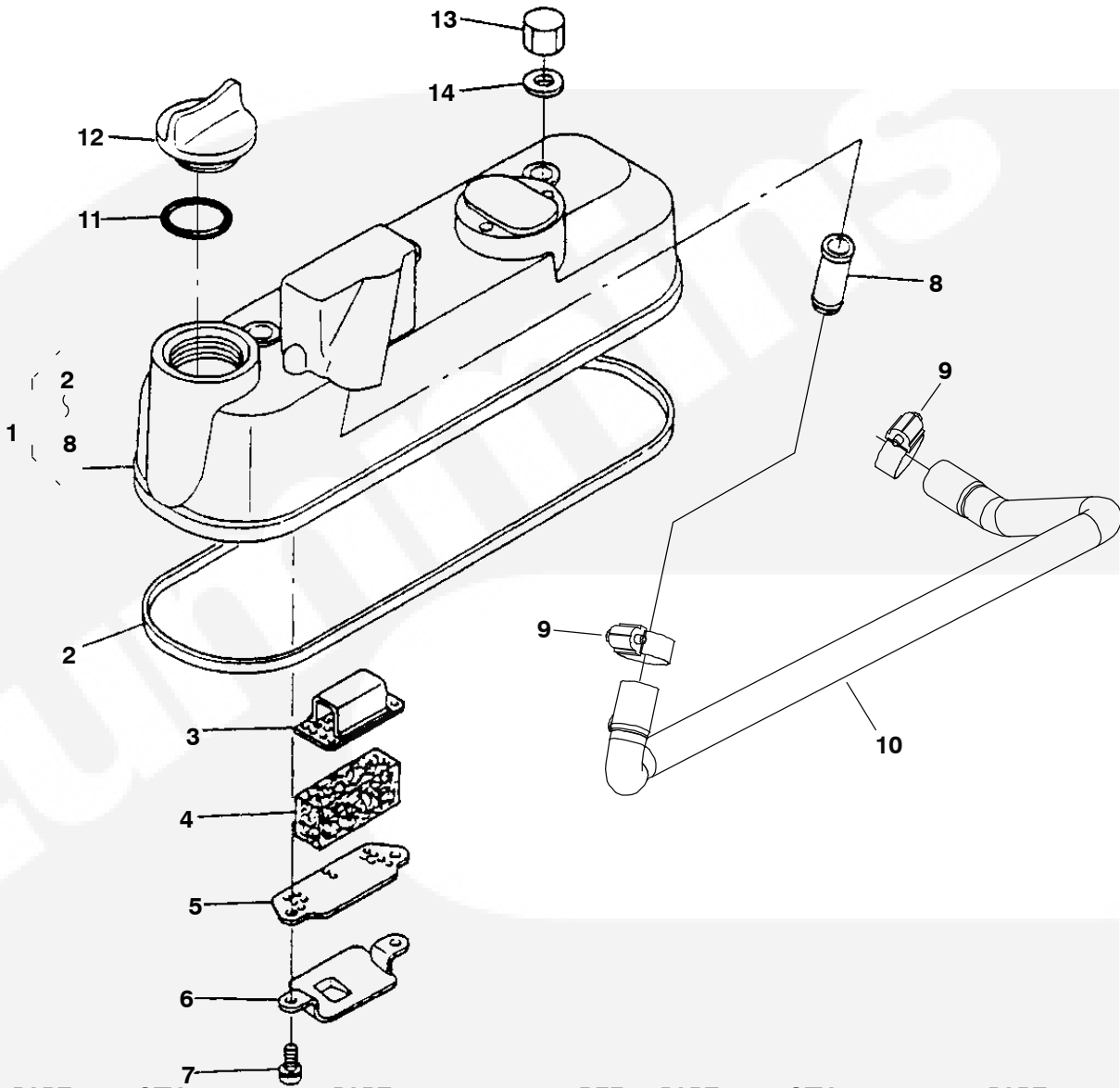


REF NO.	PART NO.	QTY. USED	PART DESCRIPTION	REF NO.	PART NO.	QTY. USED	PART DESCRIPTION
1	185-7297	1	Flange, Water (Includes Water Return Pipe)	7	185-5826	1	Plug
2	185-6445	1	Pipe, Water Return	8	185-6781	2	Bolt
3	185-6667	2	Band, Pipe	9	185-7298	1	Cover, Thermostat
4	185-6666	1	Pipe, Water Return	10	185-6004	1	Gasket, Thermostat
5			*Kit, Sender (Includes Water Temperature Sender)	11	185-6005	1	Thermostat
	300-5040	1	Negative Ground	12	185-6922	1	Gasket, Water Flange
	300-5041	1	Isolated Ground	13	185-2388	3	Bolt
6			Sender, Water Temperature (E2)	14	185-6665	1	Bolt
	193-0318	1	12 and 24V Negative Ground (B200,B201)				
	193-0457-01	1	+ 12V Isolated Ground (B380)				

* - Kit Also Includes Oil Pressure Sender Listed on Oil System Page.

+ - Sender Included in Isolated Ground Kit Listed on Isolated Ground Page.

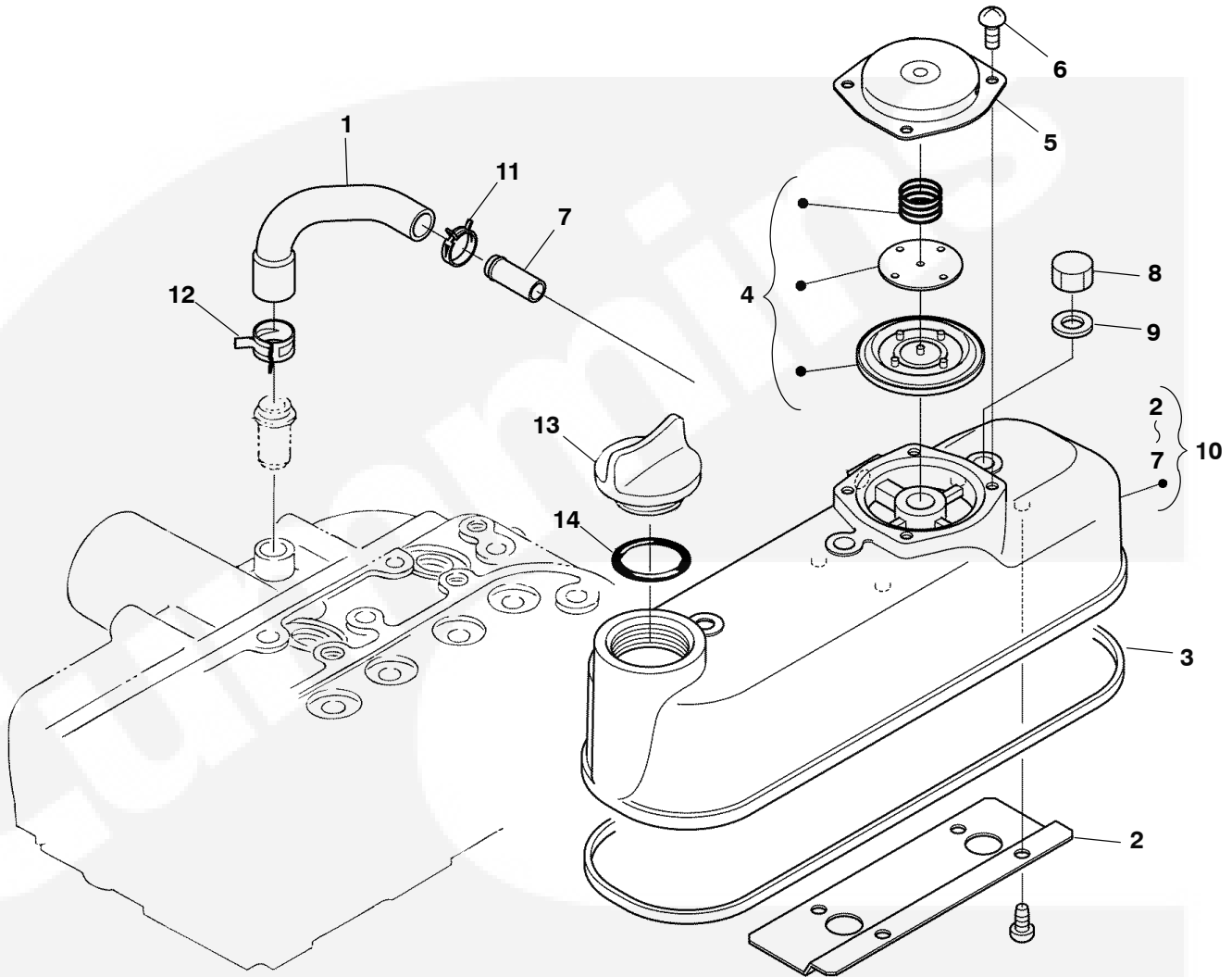
Cylinder Head Cover Spec A



REF NO.	PART NO.	QTY. USED	PART DESCRIPTION	REF NO.	PART NO.	QTY. USED	PART DESCRIPTION
1			Cover Assy, Cylinder Head (Includes Parts Marked *)	11			O'Ring
	185-6867	1	MDKAV		185-2349	1	MDKAV
	185-6497	1	MDKAW, MDKAZ		185-2349	2	MDKAW, MDKAZ
2			*Gasket, Cylinder Head Cover	12			Cover, Oil Fill
	185-6868	1	MDKAV		185-5407	1	MDKAV
	185-6498	1	MDKAW, MDKAZ		185-5407	2	MDKAW, MDKAZ
3	185-6501	1	*Plate, Upper Breather Element	13			Nut, Cap
4	185-6721	1	*Element, Breather		185-6394	3	MDKAV
5	185-6500	1	*Plate, Lower Breather Element		185-6394	4	MDKAW, MDKAZ
6	185-6503	1	*Shield, Breather Oil	14			Gasket
7	185-2384	2	*Screw, Washer Head		185-2291	3	MDKAV
8	185-6499	1	*Joint, Breather Pipe		185-2291	4	MDKAW, MDKAZ
9	503-0976	2	Clamp, Hose				
10			Hose, Breather				
	503-2070	1	MDKAV				
	503-2087	1	MDKAW, MDKAZ				

* - Parts Included in Cylinder Head Cover Assy.

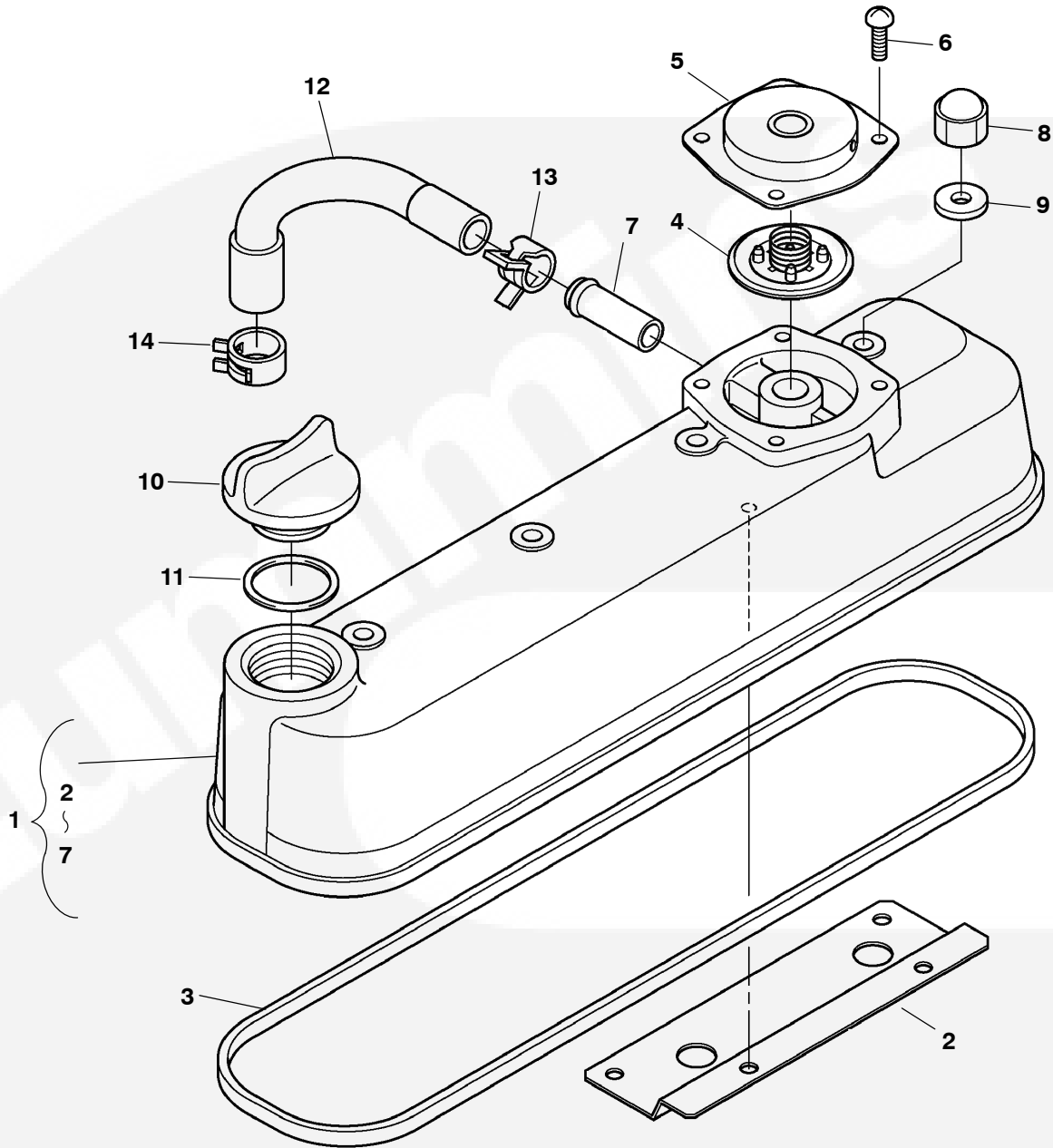
Cylinder Head Cover MDKAV Begin Spec C



REF NO.	PART NO.	QTY USED	PART DESCRIPTION	REF NO.	PART NO.	QTY USED	PART DESCRIPTION
1	134-5384	1	Cover Assy, Cylinder Head (Includes Parts Marked *)	9	185-2291	3	Gasket
2	181-9219	1	Shield, Breather	10	181-9220	1	Tub, Breather
3	185-6868	1	*Gasket, Cylinder Head Cover	11	181-9025	1	Clamp, Hose
4	181-9240	1	*Comp. Valve, Breather	12	181-9109	1	Clamp, Hose
5	181-9238	1	*Cover, Breather	13	181-9000	1	Plug, Oil Filler
6	185-3041	4	*Screw, Pan Head	14	185-7426	1	O' Ring
7	185-6103	1	*Pipe, Water Return				
8	185-6394	3	*Nut				

* - Parts Included in Cylinder Head Cover Assy.

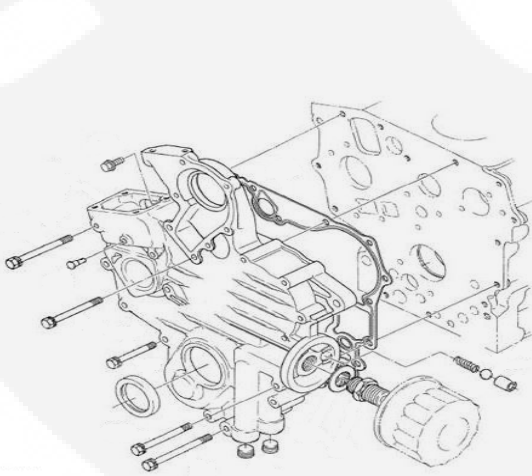
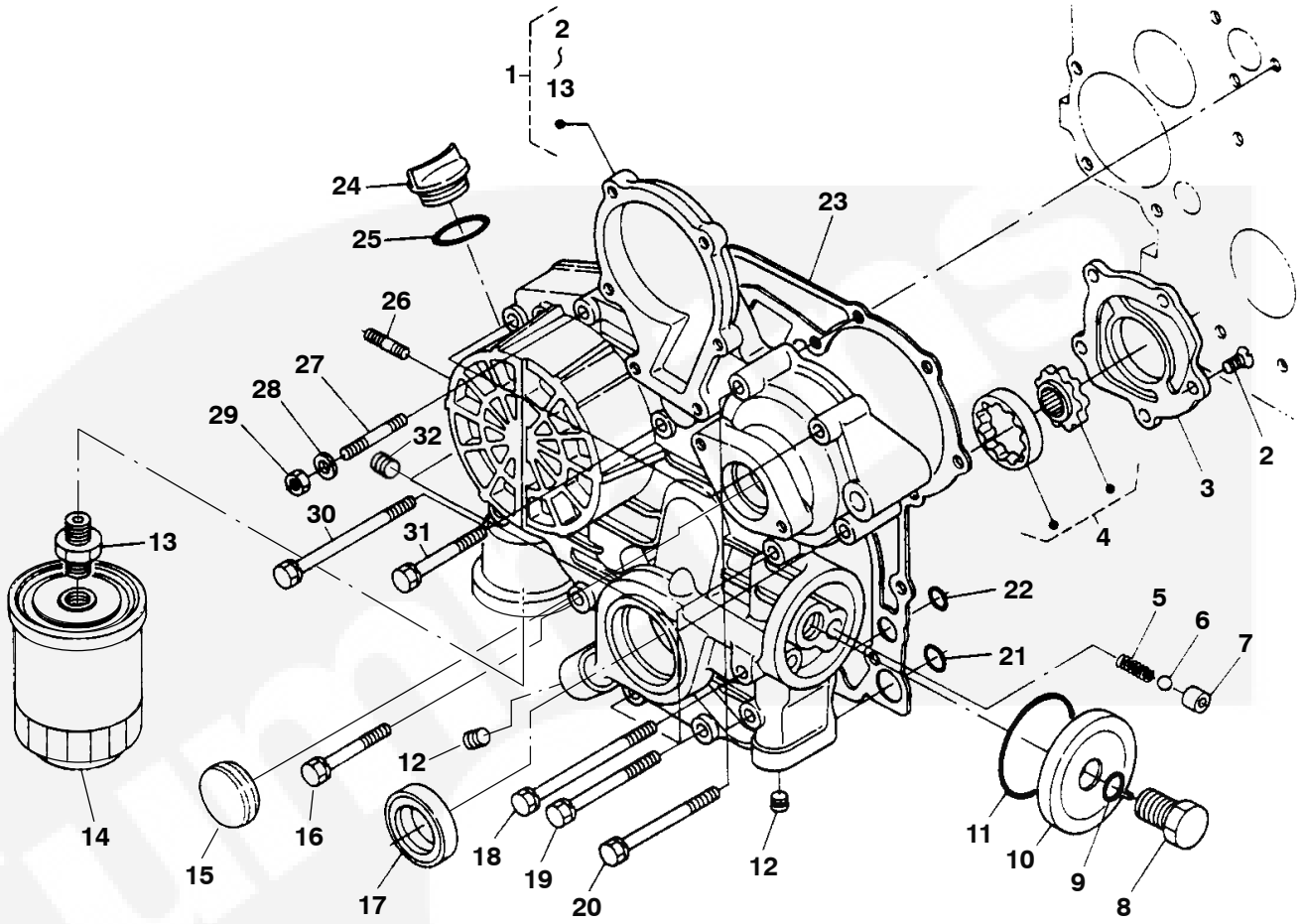
Cylinder Head Cover MDKAW, MDKAZ Begin Spec C



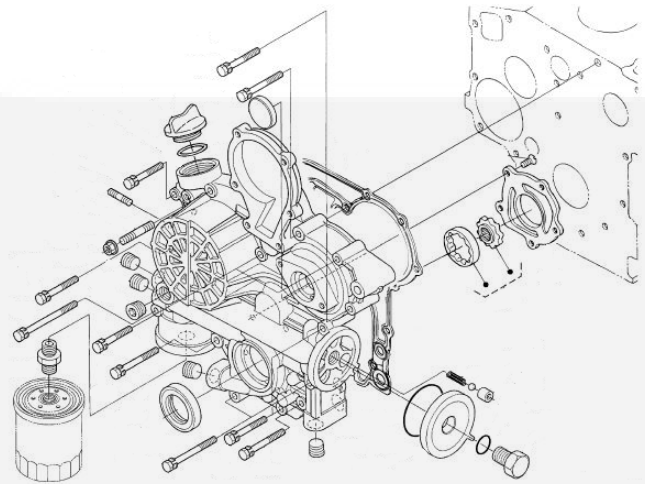
REF NO.	PART NO.	QTY USED	PART DESCRIPTION	REF NO.	PART NO.	QTY USED	PART DESCRIPTION
1	181-9224	1	Cover Assy, Cylinder Head (Includes Parts Marked *)	9	185-2291	3	Gasket
2	181-9219	1	Shield, Breather	10	181-9000	1	Plug, Oil Filler
3	185-6498	1	*Gasket, Cylinder Head Cover	11	185-7426	1	O' Ring
4	181-9240	1	*Comp. Valve, Breather	12	181-9220	1	Tub, Breather
5	181-0238	1	*Cover, Breather	13	181-9025	1	Clamp, Hose
6	185-3041	4	*Screw, Pan Head	14	181-9109	1	Clamp, Hose
7	185-6103	1	*Pipe, Water Return				
8	185-6394	3	*Nut				

* - Parts Included in Cylinder Head Cover Assy.

Gearcase



NEW Gearcase

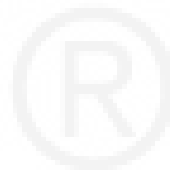


OLD Gearcase

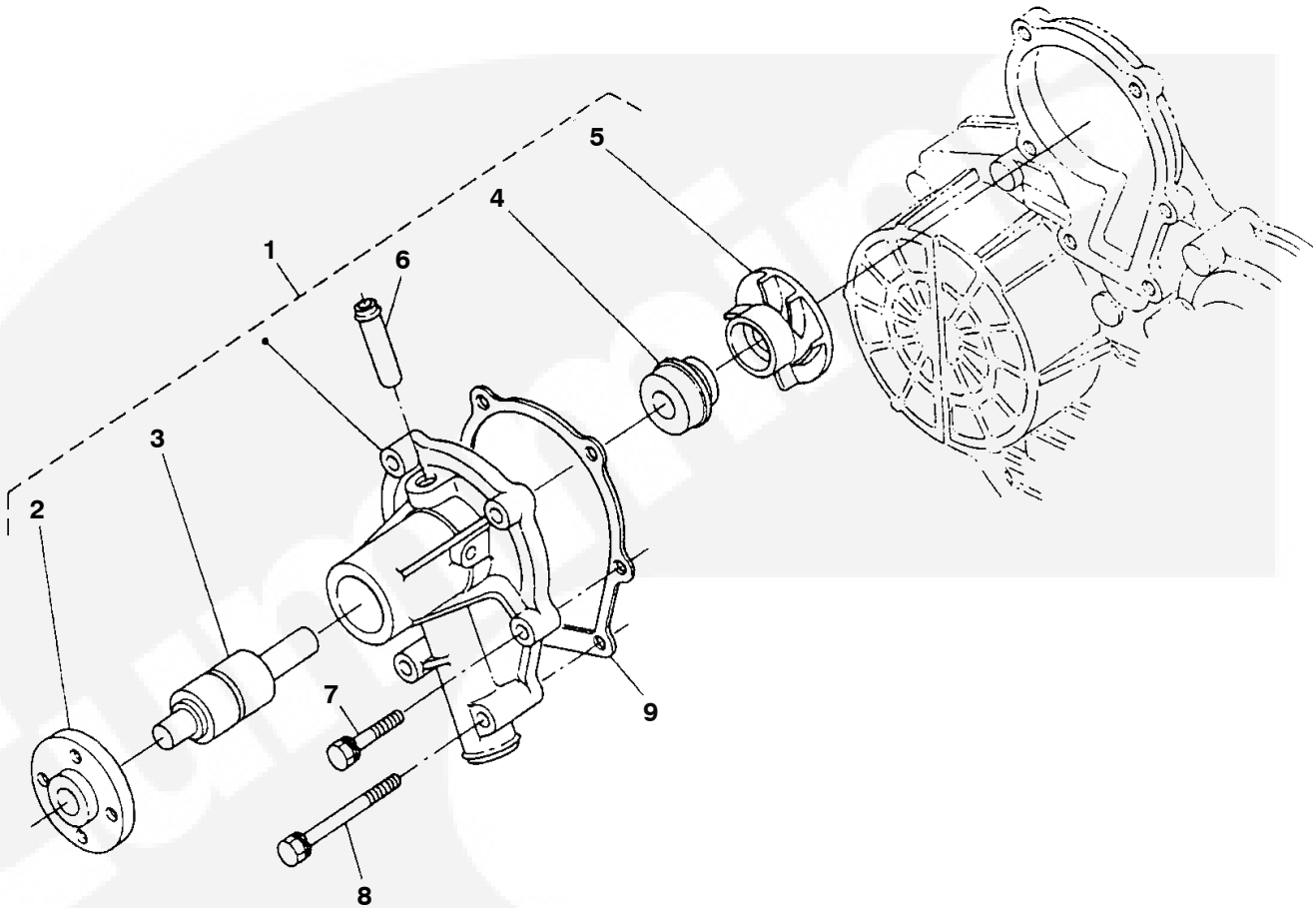
Gearcase

REF NO.	PART NO.	QTY. USED	PART DESCRIPTION	REF NO.	PART NO.	QTY. USED	PART DESCRIPTION
1			Gearcase Assy (Includes Parts Marked *)	19	185-7069	4	Bolt
	185-6480	1	Spec A	20	185-6665	2	Bolt
	103-0858	1	Begin Spec C MDKAV	21	185-5869	2	O'Ring (Spec A)
	103-0858	1	Begin Spec C MDKAW, MDKAZ	22	185-3080	2	O'Ring (Spec A)
2	185-6487	5	*Screw, Countersunk Head	23	185-6863	1	Gasket, Gearcase Cover, Oil Fill
3	185-6486	1	*Cover, Oil Pump	24			Spec A
4	185-6485	1	*Rotor, Oil Pump		185-5407	1	Begin Spec C MDKAV
5	185-6482	1	*Spring	25	181-9000	1	O'Ring
6	185-6484	1	*Ball		185-2349	1	Spec A
7	185-6483	1	*Seat, Valve		185-2349	1	Begin Spec C MDKAV
8	185-5742	1	*Bolt	26			Stud
9	185-5744	1	*O'Ring		185-2359	1	Spec A
10	185-5741	1	*Cover		185-7434	1	Begin Spec C
11	185-5743	1	*O'Ring	27			Stud
12	185-6481	5	*Plug		185-6493	2	Spec A
13	185-2124	1	*Fitting, Connector		185-7423	2	Begin Spec C
14	185-5835	1	Filter, Oil	28	185-6759	1	Washer, Spring
15	185-6865	1	Plug	29	185-4255	1	Nut
16	185-6490	1	Bolt	30	185-6492	1	Bolt
17			Seal, Oil	31	185-5833	3	Bolt
	185-6864	1	MDKAV	32	505-2252	1	Plug (MDKAW, MDKAZ)
	185-6494	1	MDKAW, MDKAZ				
18	185-6491	2	Bolt				

* - Parts Included in Gearcase Assy.



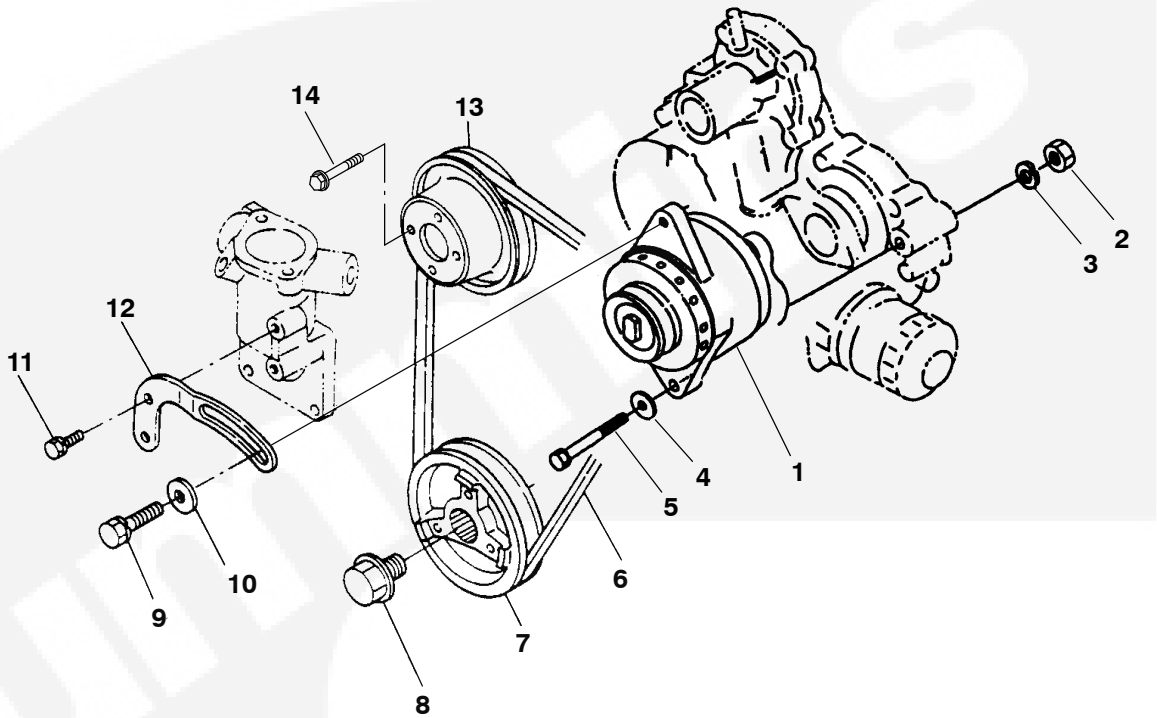
Captive Water Pump Components



REF NO.	PART NO.	QTY. USED	PART DESCRIPTION	REF NO.	PART NO.	QTY. USED	PART DESCRIPTION
1			Pump Assy, Water (Includes Parts Marked *)	5			*Impeller, Captive Water Pump
	185-6671	1	Spec A		185-6674	1	Spec A
	181-9108	1	Begin Spec C		185-6674	1	Begin Spec C
2	185-6672	1	*Flange, Pump Water	6	185-5719	1	*Pipe, Water Return
3			*Bearing	7	185-6677	4	Bolt
	185-6673	1	Spec A	8			Bolt
	510-0225	1	Begin Spec C		185-5745	2	Spec A
4			*Seal Assy, Mechanical		800-6368	2	Begin Spec C
	185-5714	1	Spec A	9	185-7299	1	Gasket, Water Pump
	509-0440	1	Begin Spec C				

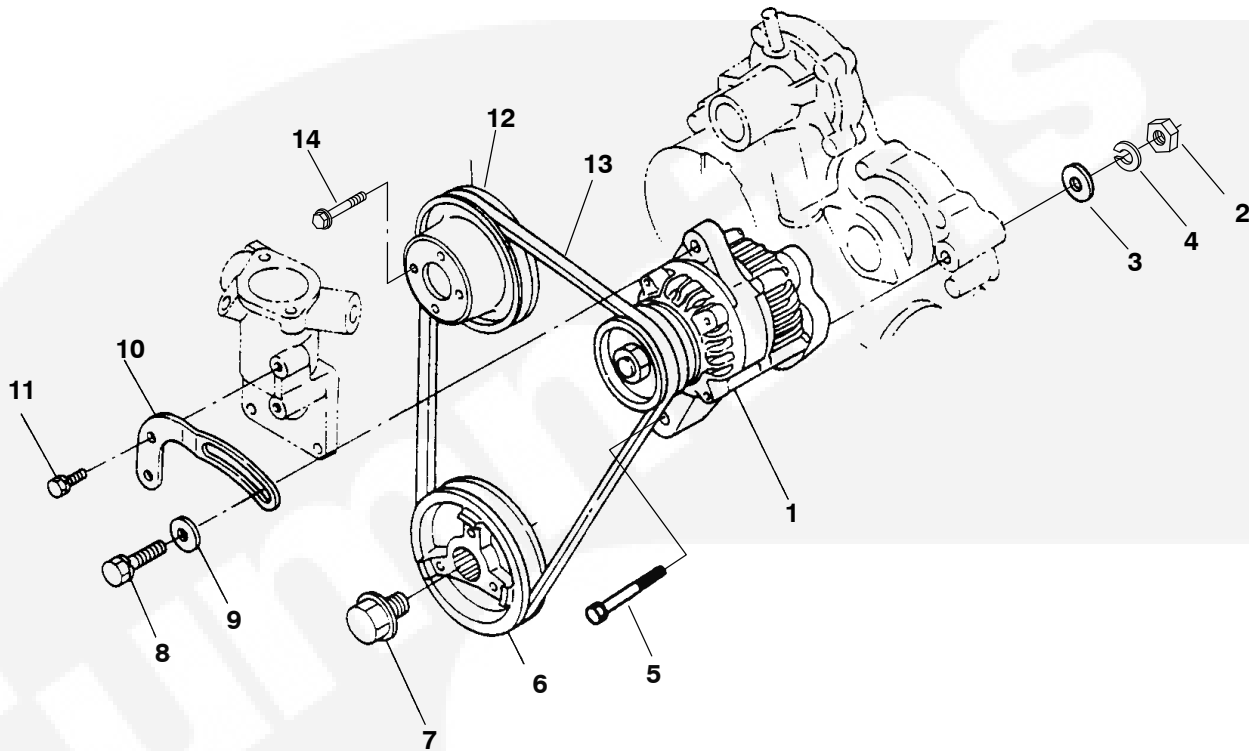
* - Parts Included in Water Pump Assy.

Alternator (12V)



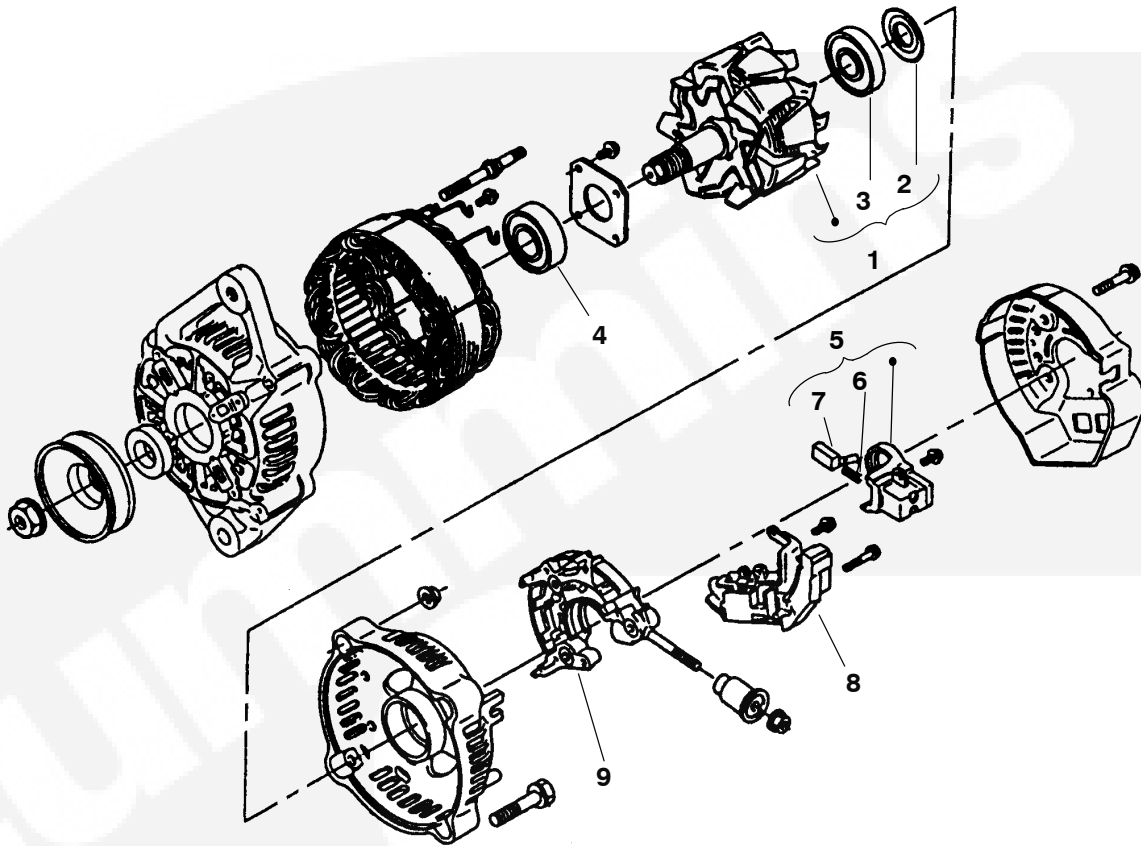
REF NO.	PART NO.	QTY. USED	PART DESCRIPTION	REF NO.	PART NO.	QTY. USED	PART DESCRIPTION
1	185-7269	1	Alternator (12V) (No Components Available)	8	185-6633	1	Bolt
2	185-5445	1	Nut	9	185-2564	1	Bolt
3	185-6785	1	Washer, Spring	10	185-6786	2	Washer, Plain
4	185-7272	1	Washer, Plain	11	185-2388	1	Bolt
5	185-7271	1	Bolt	12	185-7270	1	Stay, Alternator
6	185-6934	1	Belt, Fan (37.5")	13	185-6631	1	Pulley, Fan
7			Pulley, Fan Drive	14	185-2572	4	Bolt
	185-6933	1	MDKAV				
	185-7273	1	MDKAW, MDKAZ				

Alternator (24V)



REF NO.	PART NO.	QTY. USED	PART DESCRIPTION	REF NO.	PART NO.	QTY. USED	PART DESCRIPTION
1	185-7225	1	Alternator (24V)(See Separate Page for Components)	7	185-6633	1	Bolt
2	185-5445	1	Nut	8	185-2564	1	Bolt
3	185-6630	1	Washer, Plain	9	185-6786	1	Washer, Plain
4	185-6785	1	Washer, Spring	10	185-7226	1	Stay, Alternator
5	185-6629	1	Bolt	11	185-2388	1	Bolt
6	185-6933	1	Pulley, Fan Drive	12	185-6631	1	Pulley, Fan
	185-7273	1	MDKAV, MDKAZ	13	185-6934	1	Belt, Fan (37.5")
				14	185-2572	4	Bolt

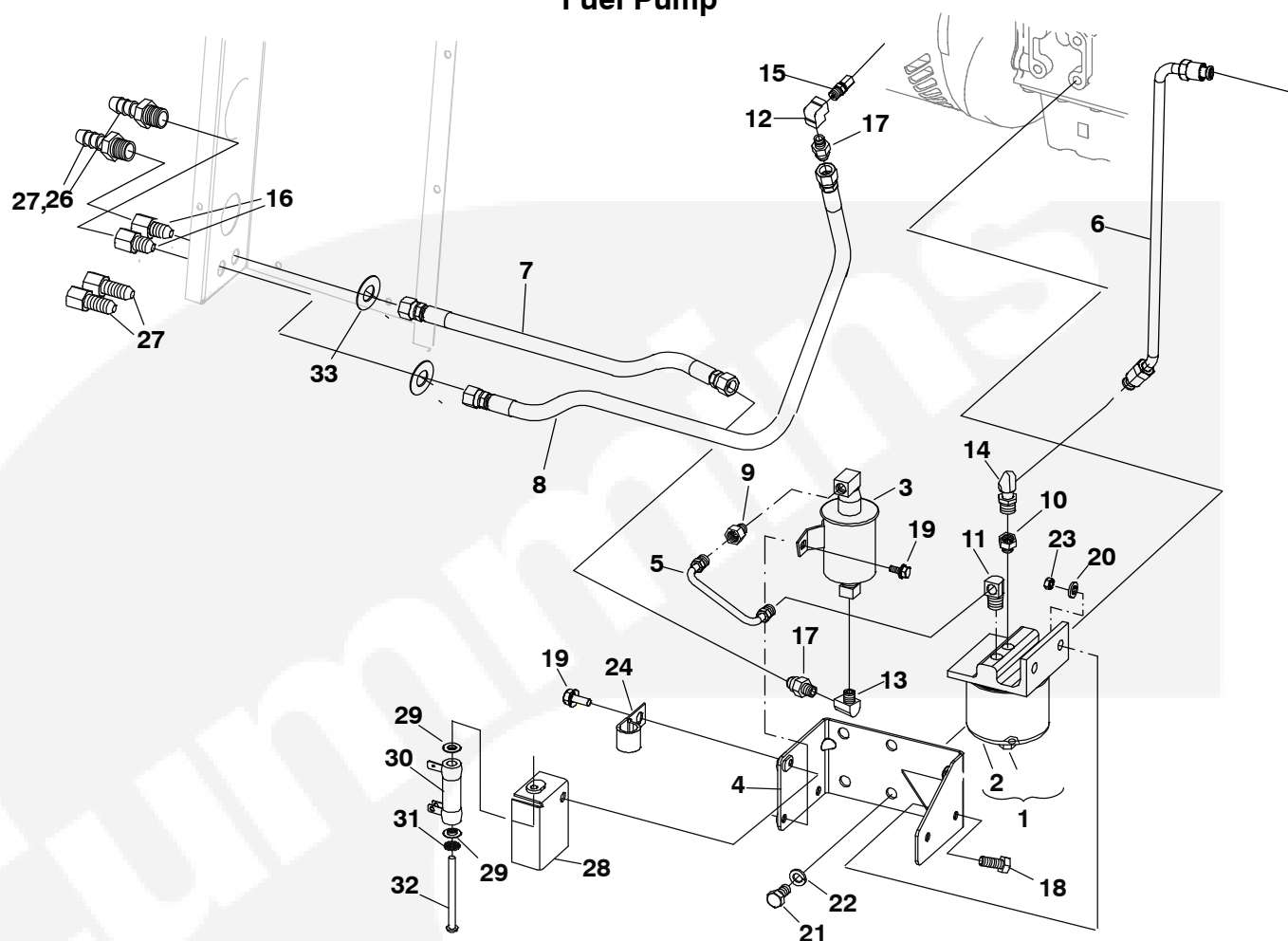
Alternator Components (24V)



REF NO.	PART NO.	QTY. USED	PART DESCRIPTION	REF NO.	PART NO.	QTY. USED	PART DESCRIPTION
	185-7225	1	Alternator	6	185-5784	2	Spring, Brush
1	185-7228	1	Rotor (Includes Cover and Bearing)	7	185-5783	2	Brush
2	185-5771	1	Cover, Bearing	8	185-6820	1	Regulator
3	185-7229	1	Bearing, Ball	9	185-6816	1	Rectifier Assy
4	185-5777	1	Bearing, Ball				
5	185-5782	1	Holder, Brush (Includes Brush and Spring)				

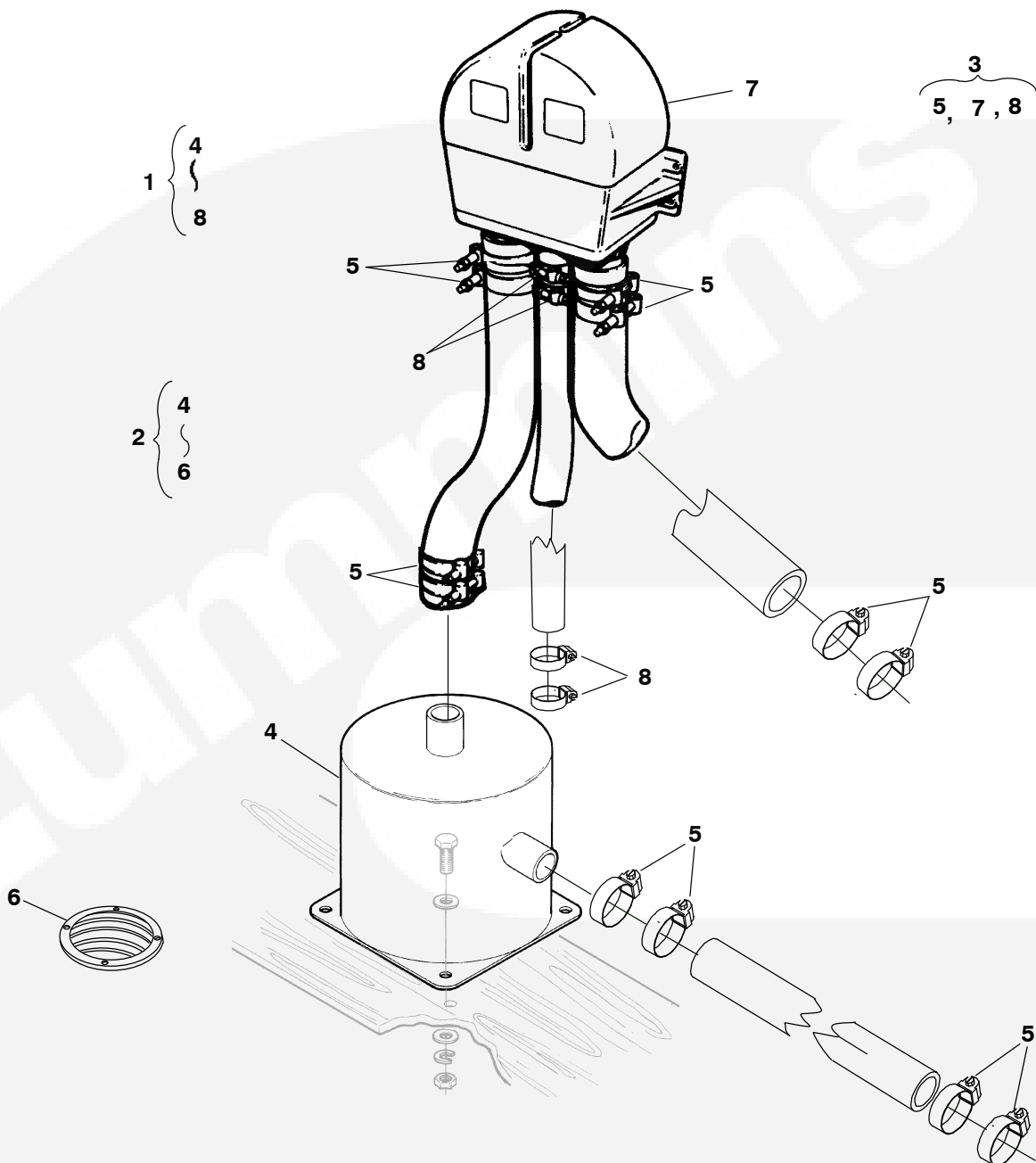
Note: Parts not Identified are Not For Sale.

Fuel Pump



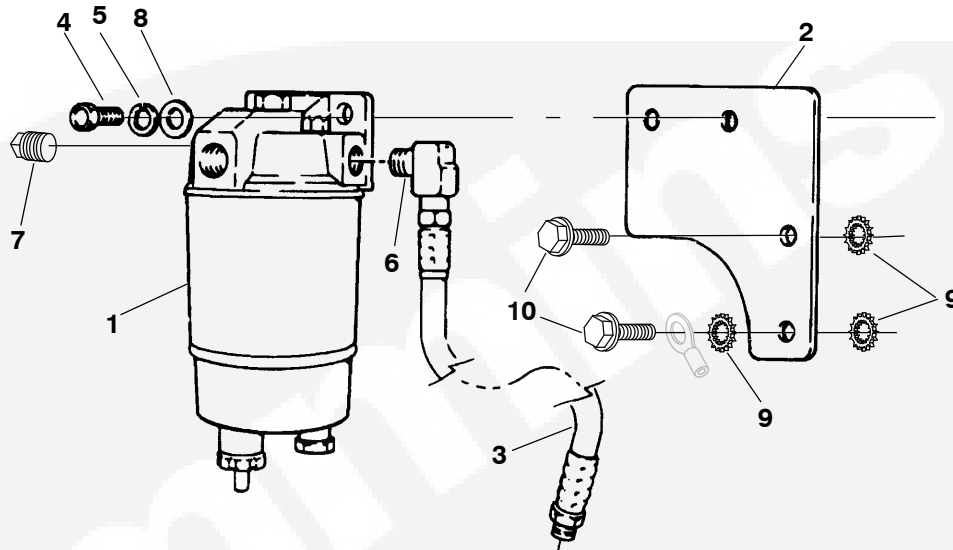
REF NO.	PART NO.	QTY. USED	PART DESCRIPTION	REF NO.	PART NO.	QTY. USED	PART DESCRIPTION
	149-2612	1	Kit, Adapter Fitting (Includes Parts Marked ^)	16	505-1489	2	Connector, Female Bulkhead
	149-2654	1	Kit, Fuel Adapter (Includes Parts Marked %)	17	505-1490	1	*Connector, Male
	149-2655	1	Kit, Fuel Adapter (Includes Parts Marked #)	18	800-3017-19	2	*Screw, Hex Head Cap (M8 x 1.25 x 20mm)
1	149-2100	1	*Filter Assy, Fuel (Includes Parts Marked +)	19	821-6002-02	2	*Screw, Hex Head Sems (M6 x 1 x 12mm)
2	149-2106	1	+ Element	20	850-0114-54	2	*Washer, Lock (M8)
3	149-2331-01	1	*Pump, Fuel (E5)	21	800-3004	3	Screw, Hex Head Cap (M10 x 1.25 x 20mm)
4	149-2618-04	1	*Bracket, Mounting	22	850-0114-55	3	Washer, Lock (M10)
5	149-2601	1	*Line, Fuel (.25")	23	862-0026-55	2	*Nut, Hex (M8)
6			*Line, Fuel Assy	24	518-0515	1	Clip, Hose
	501-0709	1	MDKAV	25	502-1162	2	#Connector, Barbed Hose (1/4-18 x 3/8")
	501-0710	1	MDKAW	26	502-1218	2	%Connector, Barbed Hose (1/4-18 x 5/16")
	501-0710	1	MDKAZ	27	505-1485	2	^Adapter, Metric NPT
7	501-0672-01	1	Line, Fuel (28.5")	28	304-0831-03	1	Bracket, Resistor (24V)
8	501-0672-04	1	Line, Fuel (38.5")	29	304-0796	2	Washer, Centering (24V)
9	502-0003	1	*Connector, Inverted Male	30	350-1238	1	Resistor (24V)
10	502-0029	1	*Bushing, Reducer	31	856-0003	1	Washer, EIT (#10)(24V)
11	502-0041	1	*Elbow, Male	32	813-0112	1	Screw, Round Head Machine (#10-32 x 2.5")(24V)
12	502-0055	1	Elbow, Pipe	33	526-0406	2	Washer, Flat (M14)
13	502-0020-01	1	*Elbow, 90 Street				
14	502-0065	1	*Elbow, Inverted Male				
15	502-1245	1	Adapter, Pipe				

Water Separator/Muffler



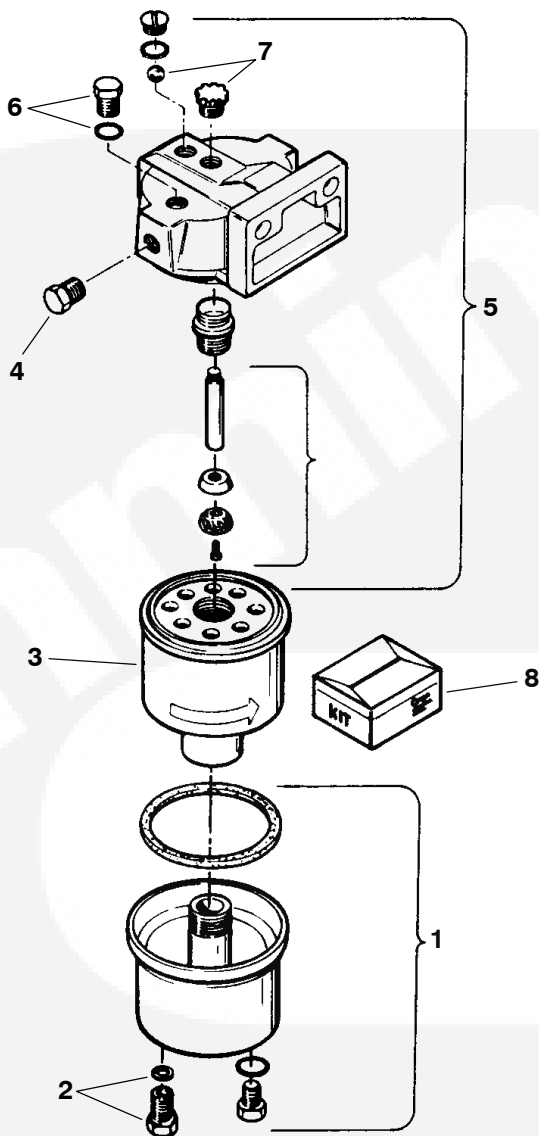
REF NO.	PART NO.	QTY. USED	PART DESCRIPTION	REF NO.	PART NO.	QTY. USED	PART DESCRIPTION
1	155-3217	1	Kit, Muffler/Separator (Includes Parts Marked *)	7	155-1002	1	x*+ Strainer, Slotted
2	155-2030	1	Kit, Muffler Marine (Includes Parts Marked +)	8	155-3216	1	**^ Separator, Water (2")
3	155-3216	1	Kit, Water Separator (Includes Parts Marked ^)	9	503-1139	4	**^ Clamp, Hose (1-1/2")
4	155-3147	1	Kit, Muffler Marine (Includes Parts Marked x)	* - Parts Included in Muffler/Separator Kit.			
5	155-2030	1	*+ Muffler, Marine	+ - Parts Included in Muffler Kit.			
6			Clamp, Hose (2")	^ - Parts Included in Water Separator Kit.			
	503-1142	8	+ Muffler Kit				
	503-1142	4	^ Separator Kit				
	503-1142	10	* Muffler/Separator Kit				

Remote Water Separator



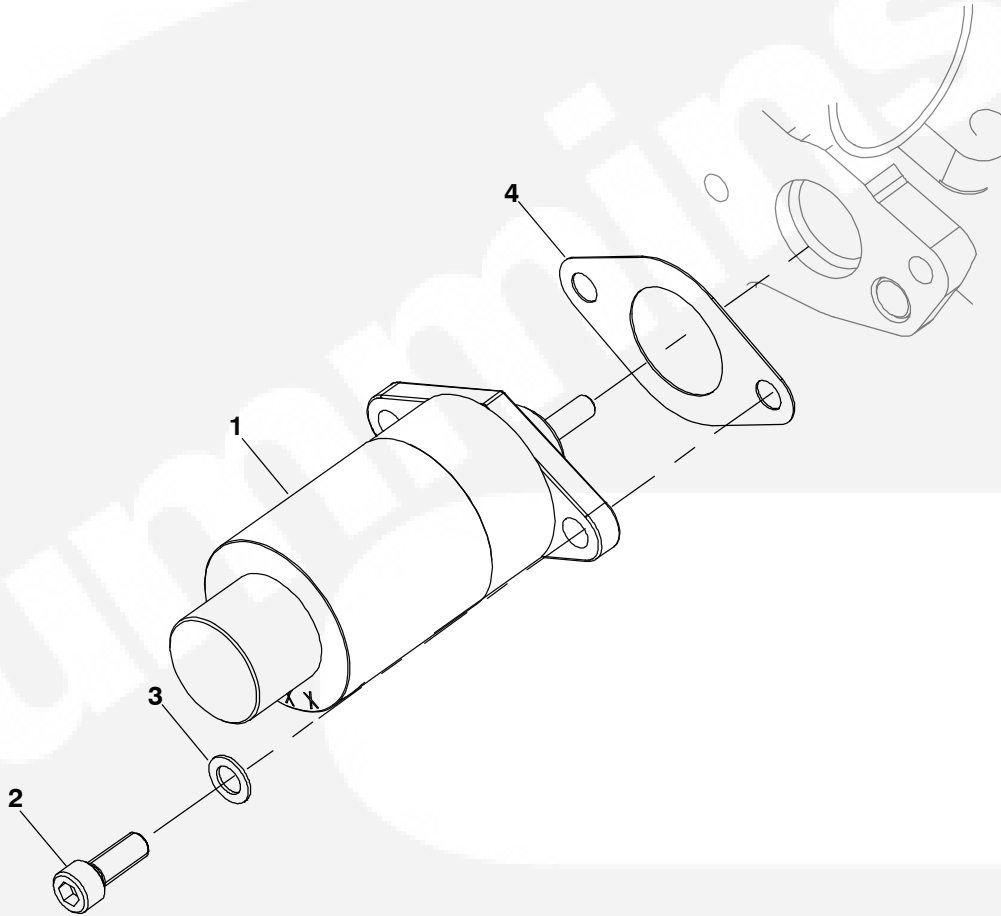
REF NO.	PART NO.	QTY. USED	PART DESCRIPTION	REF NO.	PART NO.	QTY. USED	PART DESCRIPTION
	149-2313	1	Kit, Remote Fuel/Water Separator	5	850-2008	2	Washer, Lock (M8)
1	149-1908-05	1	Separator, Fuel/Water (See Separate Page for Components)	6	502-0054	1	Elbow, Street 90° (1/4 NPT)
				7	502-0153	1	Plug, Hex Pipe (1/4 NPT)
				8	526-2100	2	Washer, Flat (M8)
2	149-2312	1	Bracket, Separator Mounting	9	856-0012	3	Washer, EIT (7/16")
3	501-0578	1	Line, Flex Fuel	10	718-1055	2	Screw, Hex Head Cap (M10 x 1.5 x 30mm)
4	800-2515	2	Screw, Hex Head Cap (M8 x 1.25 x 30mm)				

Remote Water Separator Components



REF NO.	PART NO.	QTY. USED	PART DESCRIPTION	REF NO.	PART NO.	QTY. USED	PART DESCRIPTION
	149-1908-05	1	Separator, Water	6	149-1952	1	Plug, Vent (Includes O'Ring)
1	149-2046	1	Kit, Metal Bowl Replacement (Includes Plug, O'Rings and Drain Assy)	7	149-2047	1	Pump Assy (Includes Plunger, Retainer, Shaft, Check Ball, Knob and Screw)
2	149-1953	1	Assy, Drain (Includes Knob and Seal)	8	149-2045	1	Kit O'Ring (Includes Seal and Plunger)
3	149-1914-01	1	Element (Includes Seals)				
4	502-0153	1	Plug, Hex (1/4")				
5	149-1949	1	Head Assy, Replacement (Includes Vent Plug, O'Rings, Seal, Cap, Tube and Pump Assy)				

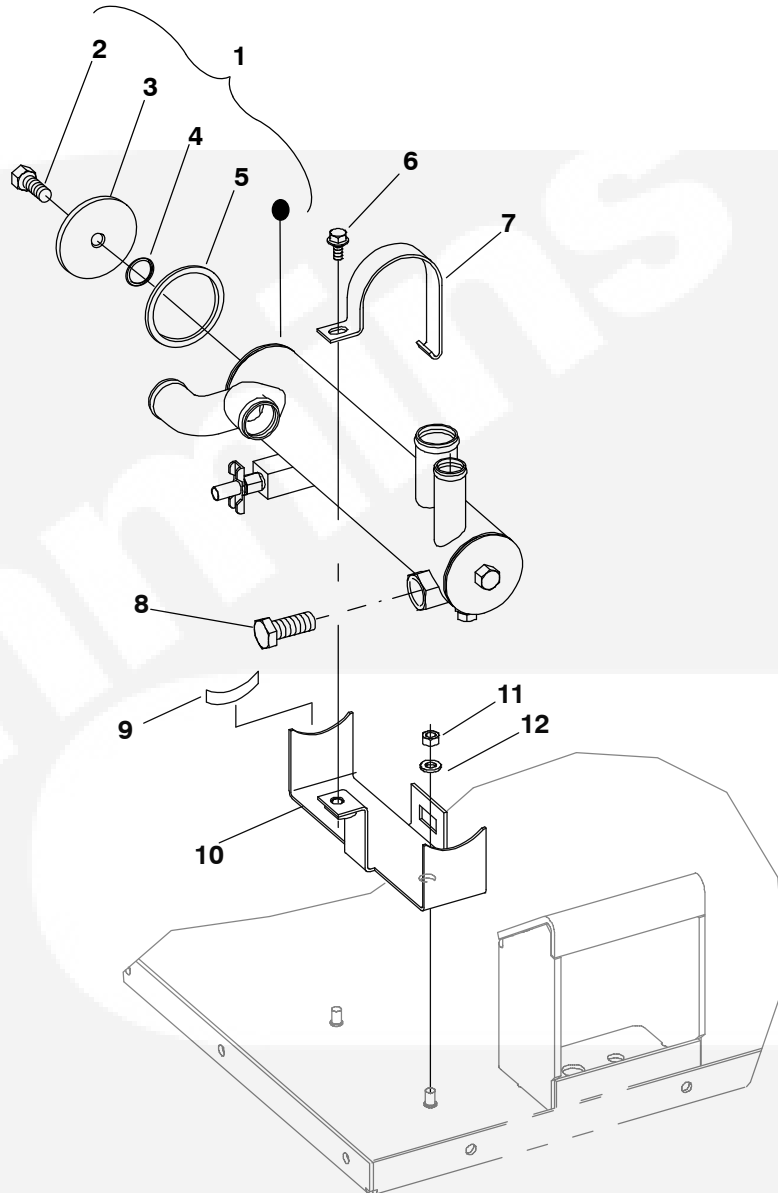
Governor Actuator



REF NO.	PART NO.	QTY. USED	PART DESCRIPTION
1	306-5006-01	1	Actuator, Governor (12V)
	306-5006-02	1	(24V)
2	725-1027	2	Screw, Slotted Head Cap (M6 x 1 x 16mm)(1/32")
3	526-0063	2	Washer, Copper
4	184-0071	1	Gasket, Solenoid Cover



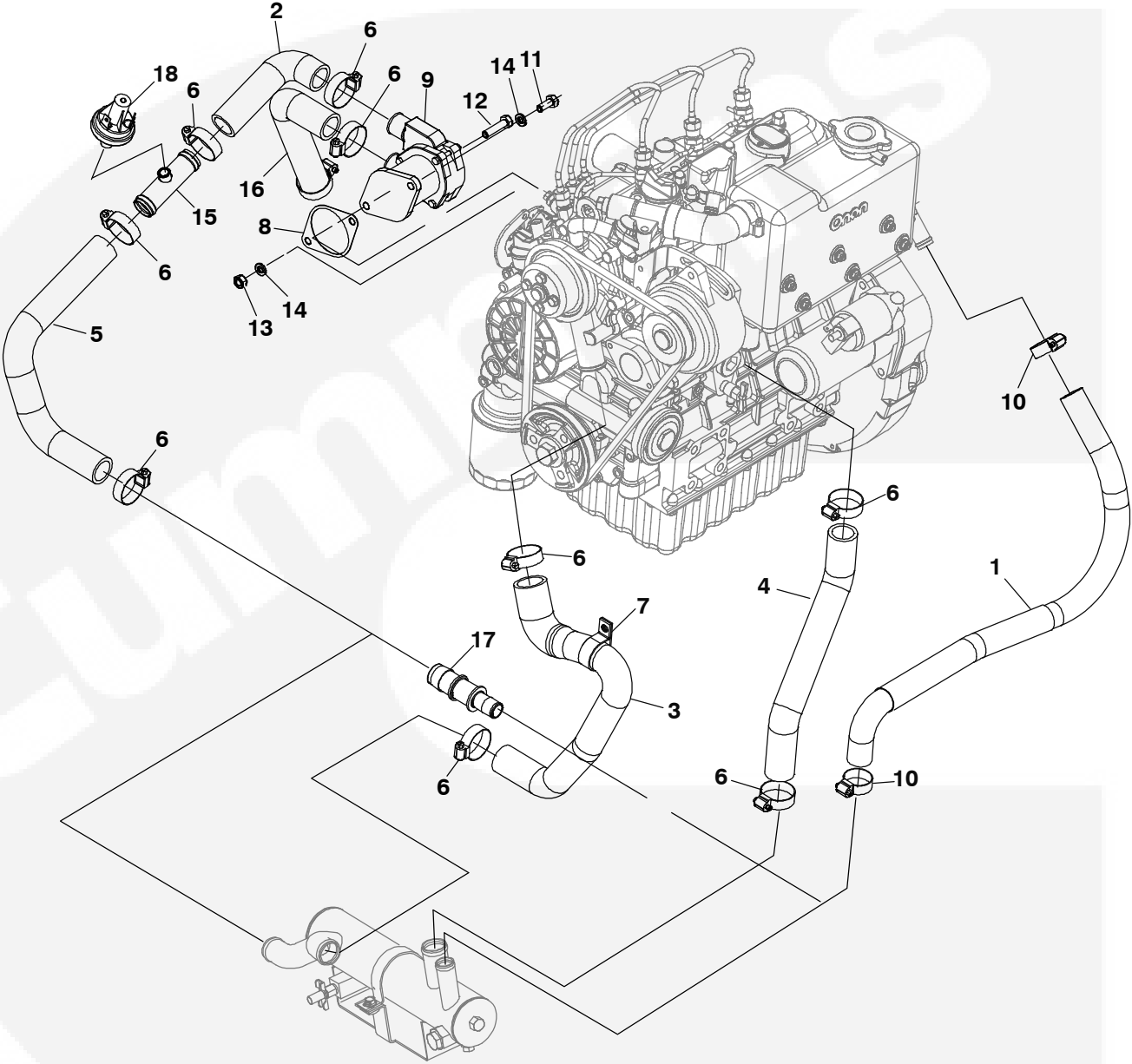
Heat Exchanger



REF NO.	PART NO.	QTY. USED	PART DESCRIPTION	REF NO.	PART NO.	QTY. USED	PART DESCRIPTION
	130-5176	1	Kit, Cap (Includes Parts Marked *)	8	130-4434	1	Pencil, Zinc
1	130-6547-03	1	Exchanger, Heat	9	508-0210	2	Edging, Heat Exchanger Bracket (90mm)
2	800-0317	1	*Screw, Hex Head (5/16-18)	10	130-4739-03	1	Bracket, Heat Exchanger
3	130-5169	1	*Cover, End	11	862-0026-54	2	Nut, Hex (M6 x 1mm)
4	509-0351	1	*O'Ring	12	850-0114-53	2	Washer, Lock (M6)
5	130-5170	1	*Gasket, End Cover				
6	821-6002-02	1	Screw, Hex Head Sems (M6 x 1 x 12mm)				
7	130-4740-03	1	Strap, Mounting				

* - Parts Included with Heat Exchanger and in Heat Exchanger Cap Kit.

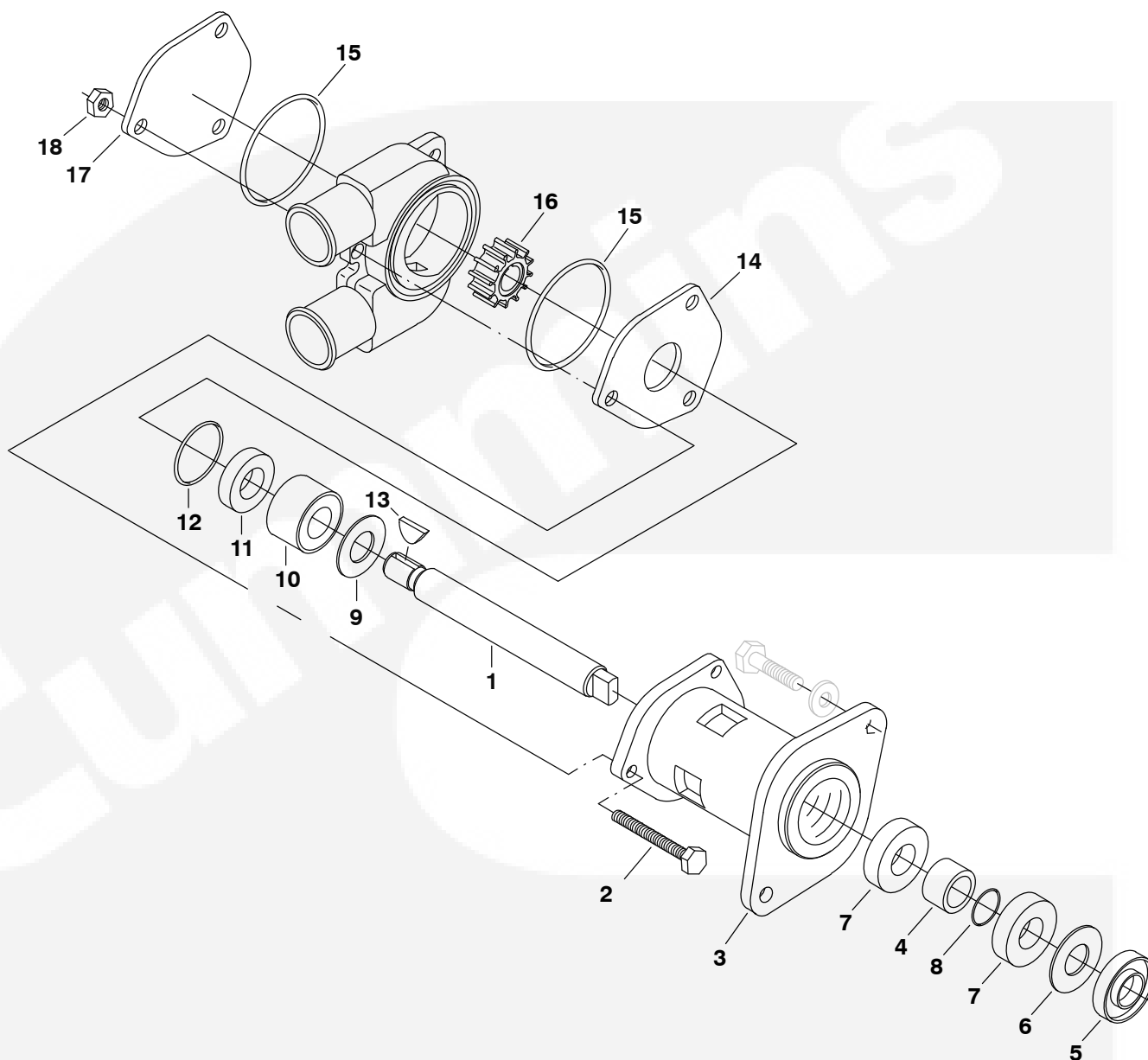
Cooling System



Cooling System

REF NO.	PART NO.	QTY. USED	PART DESCRIPTION	REF NO.	PART NO.	QTY. USED	PART DESCRIPTION
	185-7212	1	Kit, Keel Cooling (Includes Plug)				Wet Exhaust)
1	501-0712-01	1	Hose, Coolant (MDKAV Heat Exchange Wet Exhaust)	11	800-3017-19	1	Screw, Hex Head (M8 x 20mm) (Heat Exchange Wet and Dry Exhaust Keel Cooling Wet Exhaust)
	501-0712-02	1	(Heat Exchange Dry and Wet Exhaust and Keel Cooling Wet)	12	800-3017-22	1	Screw, Hex Head (M8 x 35mm) (Heat Exchange Wet and Dry Exhaust Keel Cooling Wet Exhaust)
	503-2089-02	1	(Keel Cooling Wet)				
2	503-2207	1	Hose, Coolant (Heat Exchange Wet and Dry Exhaust Keel Cooling Wet Exhaust)	13	862-0026-55	1	Nut, Hex (M8) (Heat Exchange Wet and Dry Exhaust Keel Cooling Wet Exhaust)
3	503-2195	1	Hose, Coolant (All Options)	14	850-0114-54	2	Washer, Lock (M8) (Heat Exchange Wet and Dry Exhaust Keel Cooling Wet Exhaust)
4	503-2196	1	Hose, Coolant (Heat Exchange Wet and Dry Exhaust)				
5	503-2197	1	Hose, Coolant (Heat Exchange Wet and Dry Exhaust Keel Cooling Wet Exhaust)	15	130-5387-01	1	Tube, Low Pressure Switch (Heat Exchange Wet and Dry Exhaust Keel Cooling Wet Exhaust)
6			Clamp, Hose (Keel Cooling Wet)				
	503-1137	8	(Keel Cooling Dry)	16	503-2230	1	Hose, Coolant (Heat Exchange Wet and Dry Exhaust Keel Cooling Wet Exhaust)
	503-1137	2	(Heat Exchanger Wet & Dry)				
	503-1137	10	(Heat Exchanger Wet & Dry)				
7	518-0548-05	1	Clamp, Hose (All Options)				
8	185-6579	1	Gasket, Water Pump (Heat Exchange Wet and Dry Exhaust Keel Cooling Wet Exhaust)	17	502-1354	1	Reducer, Hose Connector (Keel Cooling Wet Exhaust)
				18	309-0667	1	Switch, Pressure (12 and 24V Gnd 12v Iso)
9	132-0459	1	Pump, Water (See Separate Page for Components)				
10	503-1136	2	Clamp, Hose (Keel Cooling Wet Exhaust and Heat Exchange				

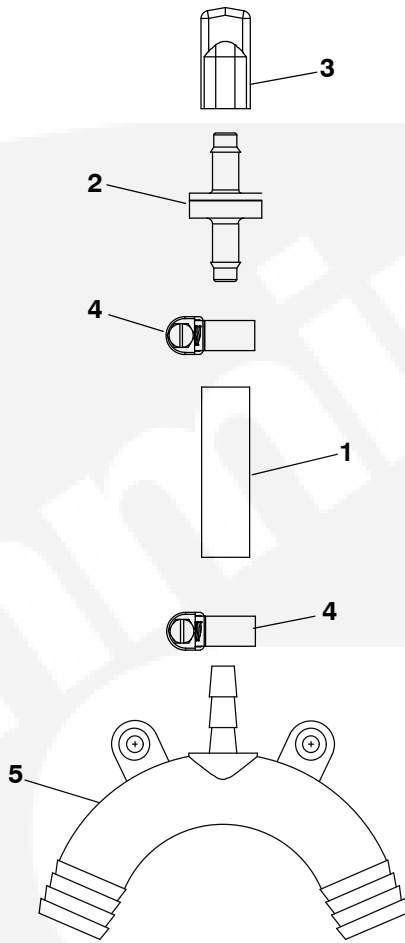
Raw Water Pump Components



REF NO.	PART NO.	QTY. USED	PART DESCRIPTION	REF NO.	PART NO.	QTY. USED	PART DESCRIPTION
	541-1519	1	Kit, Minor Service (Includes Parts Marked *)	10	132-0366	1	+Seal, Mechanical
	132-0380	1	Kit, Major Service (Includes Parts Marked +)	11	132-0369	1	+Seat, Seal
	132-0459	1	Pump, Water	12	132-0370	1	+O'Ring
1	132-0360	1	Shaft	13	132-0374	1	+Key
2	132-0376	3	Bolt	14	132-0371	1	+Plate, Wear
3	132-0362	1	Body	15	132-0372	2	*+O'Ring
4	132-0367	1	Spacer	16	132-0375	1	*+Impeller
5	132-0361	1	+Seal, Lip	17	132-0373	1	+Plate, Cover
6	132-0363	1	+Ring, Internal Retaining	18	132-0377	3	Nut
7	132-0364	2	+Bearing, Ball				
8	132-0365	1	+Ring, External Retaining				
9	132-0368	1	+Washer,				

* - Parts Included in Minor Service Kit.
+ - Parts Included in Major Service Kit.

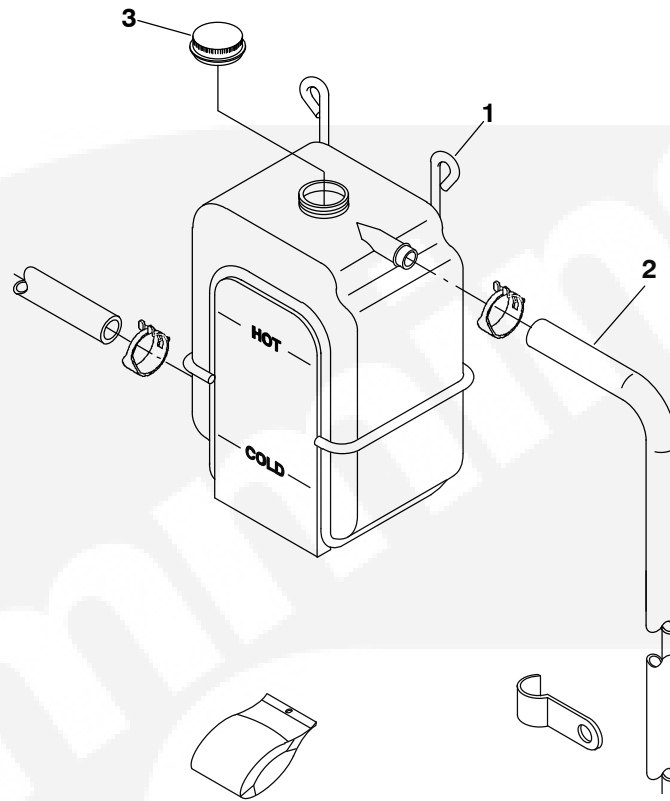
Vacuum Relief Valve



REF NO.	PART NO.	QTY. USED	PART DESCRIPTION	REF NO.	PART NO.	QTY. USED	PART DESCRIPTION
	541-0863-01	1	Kit, Siphon Break	5	502-1463	1	Connector, Hose
1	503-2728-01	1	Hose, Coolant	6	503-0977	2	*Clamp, Hose
2	504-0223	1	Valve, Check	7	508-1102	2	*Grommet, Rubber
3	502-1425-02	1	Cap, Tube				
4	503-2309	2	Clamp, Hose				

* - Parts not shown, loose in kit.

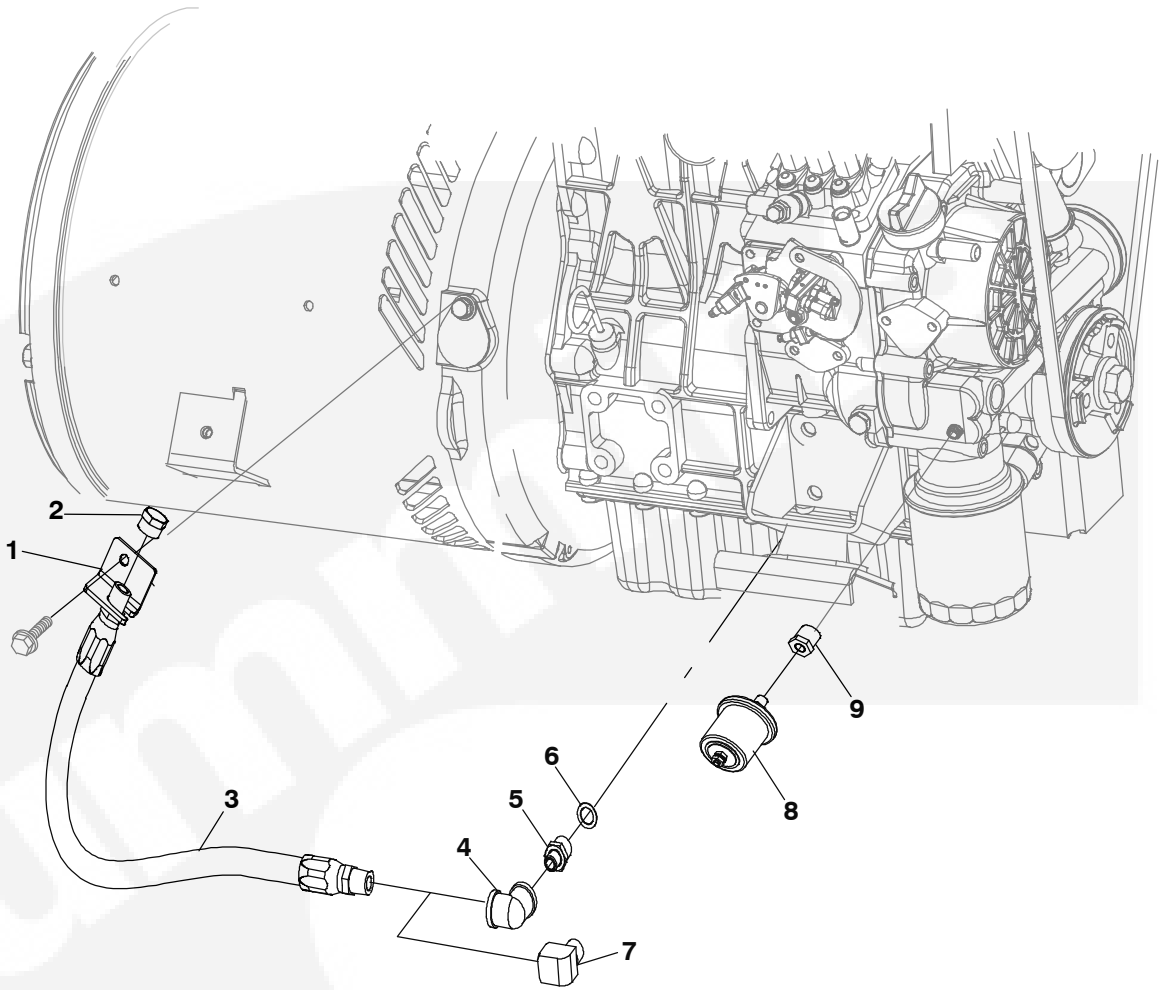
Coolant Recovery Tank



REF NO.	PART NO.	QTY. USED	PART DESCRIPTION	REF NO.	PART NO.	QTY. USED	PART DESCRIPTION
	130-3574	1	Kit, Coolant Recovery	3	130-3572	1	Cap, Tank
1	130-3571	1	Hanger, Tank				
2	503-1692	1	Hose (5/16 I.D. x 120" Lg.)				



Oil System

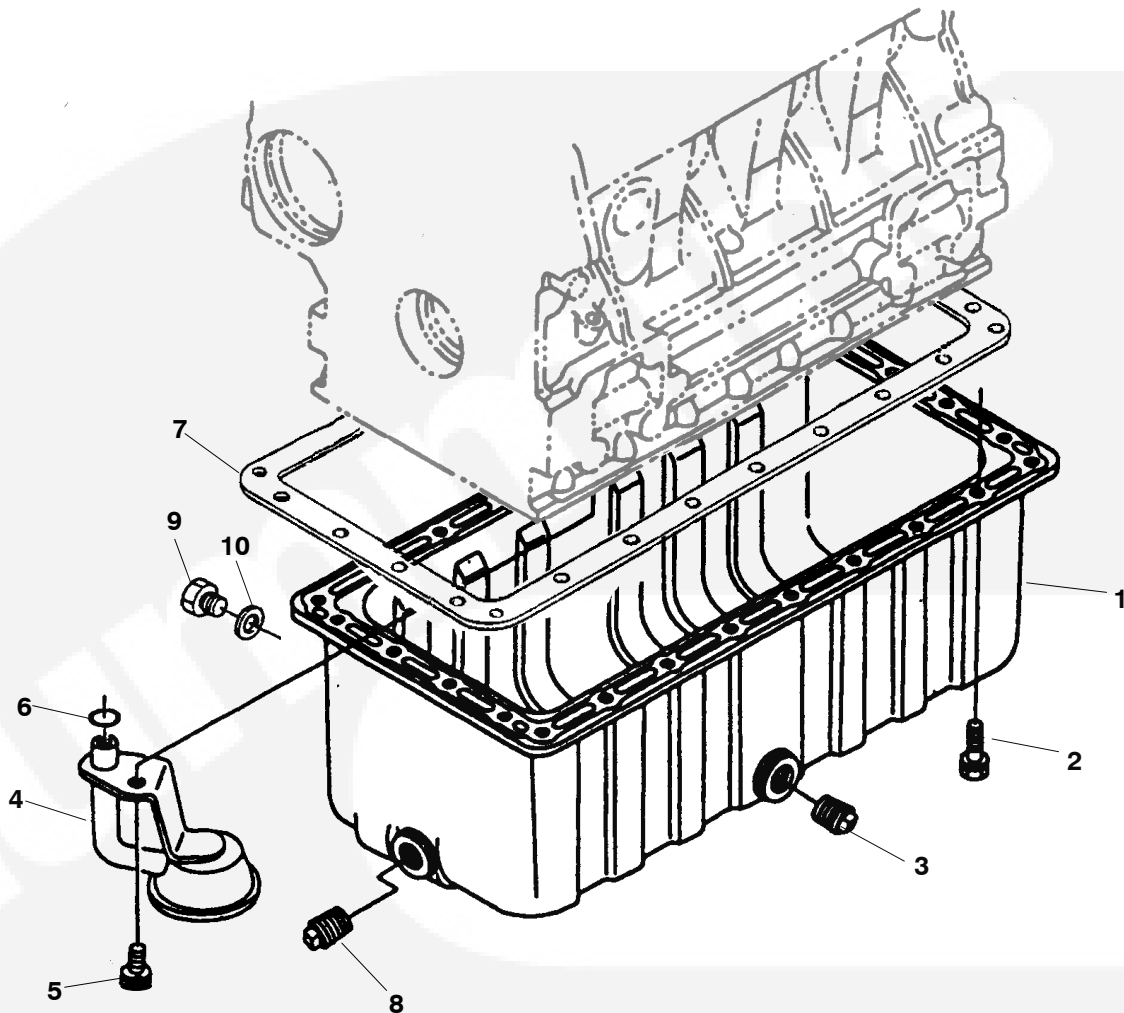


REF NO.	PART NO.	QTY. USED	PART DESCRIPTION
1	120-1332-02	1	Bracket, Oil Drain
2	502-1123	1	Cap, Pipe
3	501-0624	1	Hose, Oil Drain
4	502-0263	1	Elbow, Pipe(MDKAW and MDKAZ)
5	102-1485	1	Adapter, Oil Drain (MDKAV)
6	185-5495	1	Gasket, Oil Drain (MDKAV)
7	502-1180	1	Elbow, Pipe (MDKAW and MDKAZ)

REF NO.	PART NO.	QTY. USED	PART DESCRIPTION
8	193-0244-99	1	*Sender, Oil Pressure Negative Ground (B200 B201)
193-0430-01	1	+	Isolated Ground (B380)
9	505-0395	1	Reducer, Bushing (1/8" NPSF)

- * - Sender Included in Sender Kit Listed on Water Flange Page.
- + - Sender Included in Isolated Ground Kit Listed on Isolated Ground Page.

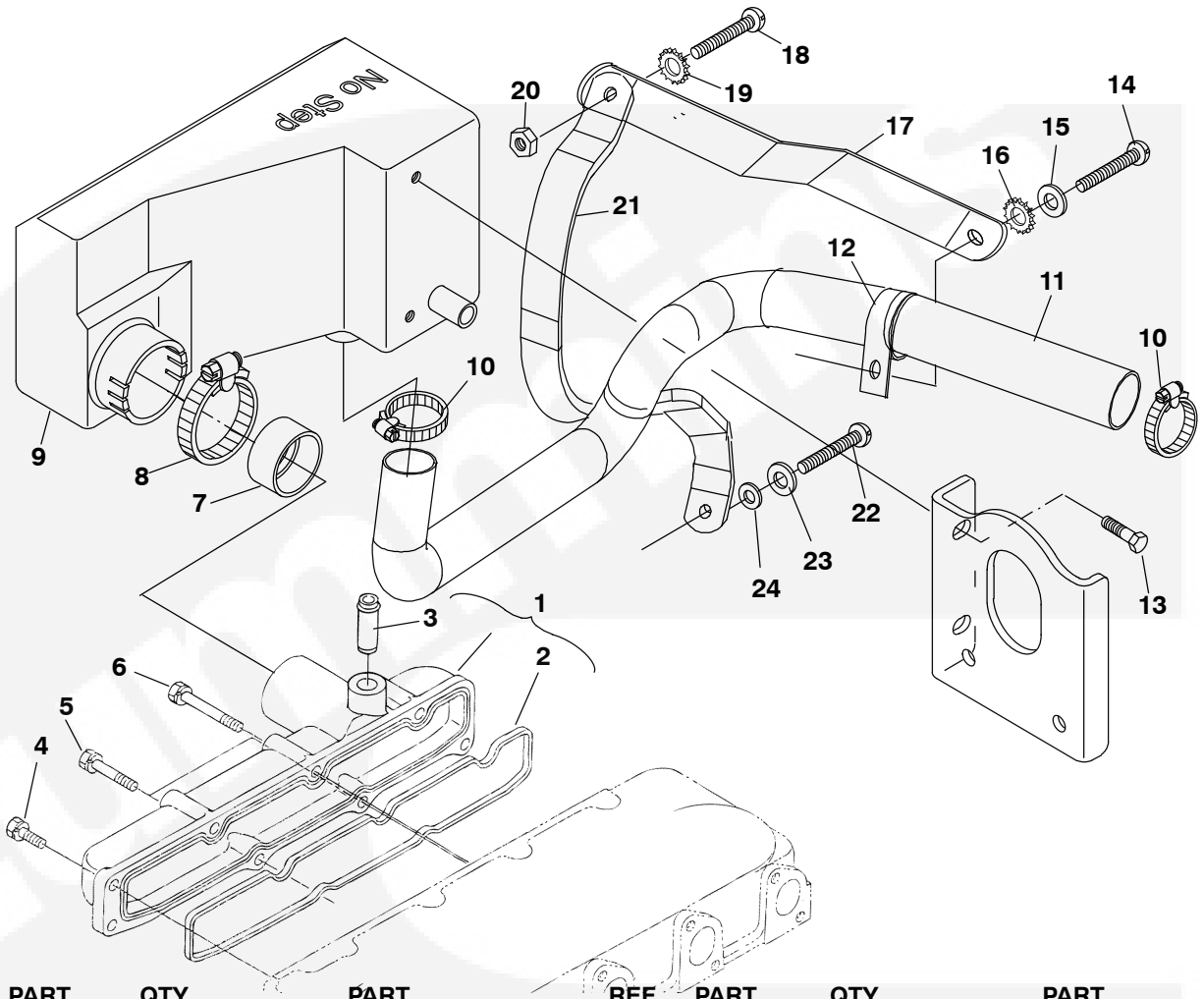
Oil Pan



REF NO.	PART NO.	QTY. USED	PART DESCRIPTION	REF NO.	PART NO.	QTY. USED	PART DESCRIPTION
1	185-7213	1	Pan, Oil	5	185-2563	1	Begin Spec C
	185-7246	1	MDKAV	6	185-7421	1	Bolt
2			MDKAW, MDKAZ	7			O'Ring
			Bolt				*Gasket, Oil Pan
	185-2389	22	MDKAV		185-7214	1	MDKAV
	185-2389	22	Spec A		185-5478	1	MDKAW, MDKAZ
	185-2386	26	Begin Spec C	8			Plug (MDKAW, MDKAZ)
	800-6505	26	MDKAW, MDKAZ		185-5826	1	Spec A
3	185-5826	1	Spec A		181-9230	1	Begin Spec C
4			Begin Spec C	9			Plug (MDKAV)
			Plug (MDKAW, MDKAZ)		185-2096	1	Spec A
	122-0932	1	Tube, Oil Pickup	10	509-0428	1	Gasket (MDKAV Begin Spec C)
	185-7247	1	Spec A MDKAV				
	122-0932	1	Spec A MDKAW, MDKAZ				
	181-9128	1	MDKAV Begin Spec C				
			MDKAW, MDKAZ				

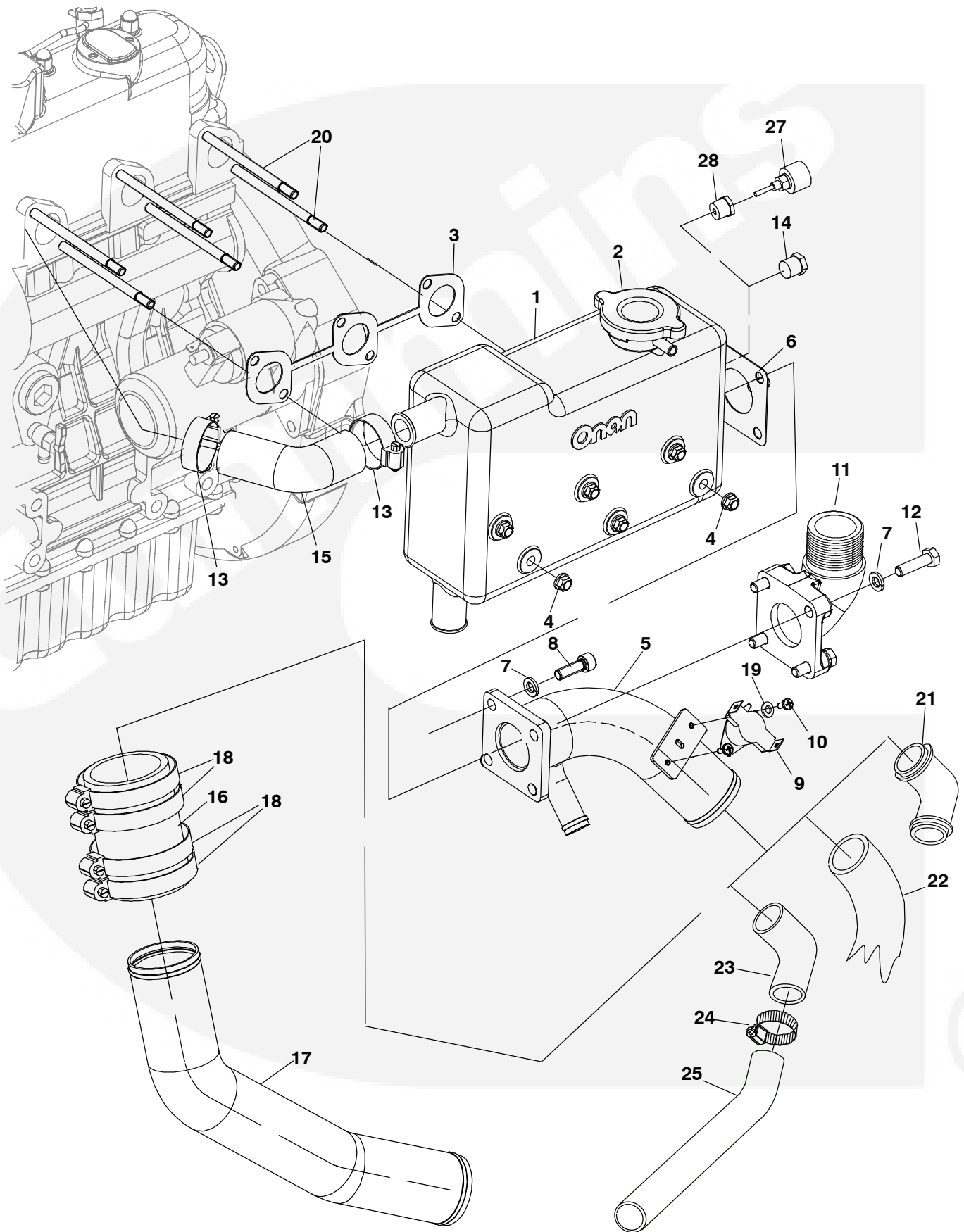
* - Or Use Three Bond #1207D or #TB1216.

Resonator



REF NO.	PART NO.	QTY. USED	PART DESCRIPTION	REF NO.	PART NO.	QTY. USED	PART DESCRIPTION
1			Manifold, Intake (Includes Gasket)	8	503-1141	1	Clamp, Hose
			MDKAV	9	140-3078	1	Resonator, Intake
	185-6927	1	Spec A	10	503-1137	2	Clamp, Hose
	181-9189	1	Begin Spec C	11	503-2202-01	1	Hose, Air Intake (1.25" ID)
			MDKAW, MDKAZ	12	130-4830	1	Clamp
	185-6700	1	Spec A	13	821-6002-02	2	Screw, Hex Head Sems (M6 x 12)
	181-9110	1	Begin Spec C	14	821-6001-03	1	Screw, Hex Head (M5 x 0.8 x 16mm)
2			Gasket	15	526-2291	2	Washer, Flat
	185-6926	1	MDKAV	16	856-0003	1	Washer, EIT (M10)
	185-6701	1	MDKAW, MDKAZ	17	337-0081	1	Strap, Bond (.75 x 7.50")
3	185-6499	1	Joint, Breather Pipe Begin Spec C	18	810-0155	1	Screw, Slotted Round Head Brass (1/4-20 x 1.25")
4	185-2389	3	Screw, Hex Head (M6 x 18mm)	19	856-0006	2	Washer, EIT (1/4")
5			Screw	20	871-0016	2	Nut, Hex Brass (1/4-20)
	185-6677	1	MDKAV	21	337-3507	1	Strap, Bond (12.7 x 412.7mm)
	185-6677	2	MDKAW, MDKAZ	22	800-3042	1	Screw, Hex Head Cap (M4 X 10mm)
6			Screw, Hex Head (M6 x 50mm)	23	856-0002	1	Washer, EIT (#8)
	185-7069	2	MDKAV	24	526-2050	1	Washer, Flat (M4)
	185-7069	3	MDKAW, MDKAZ				
7	140-2898	1	Sleeve, Air Intake				

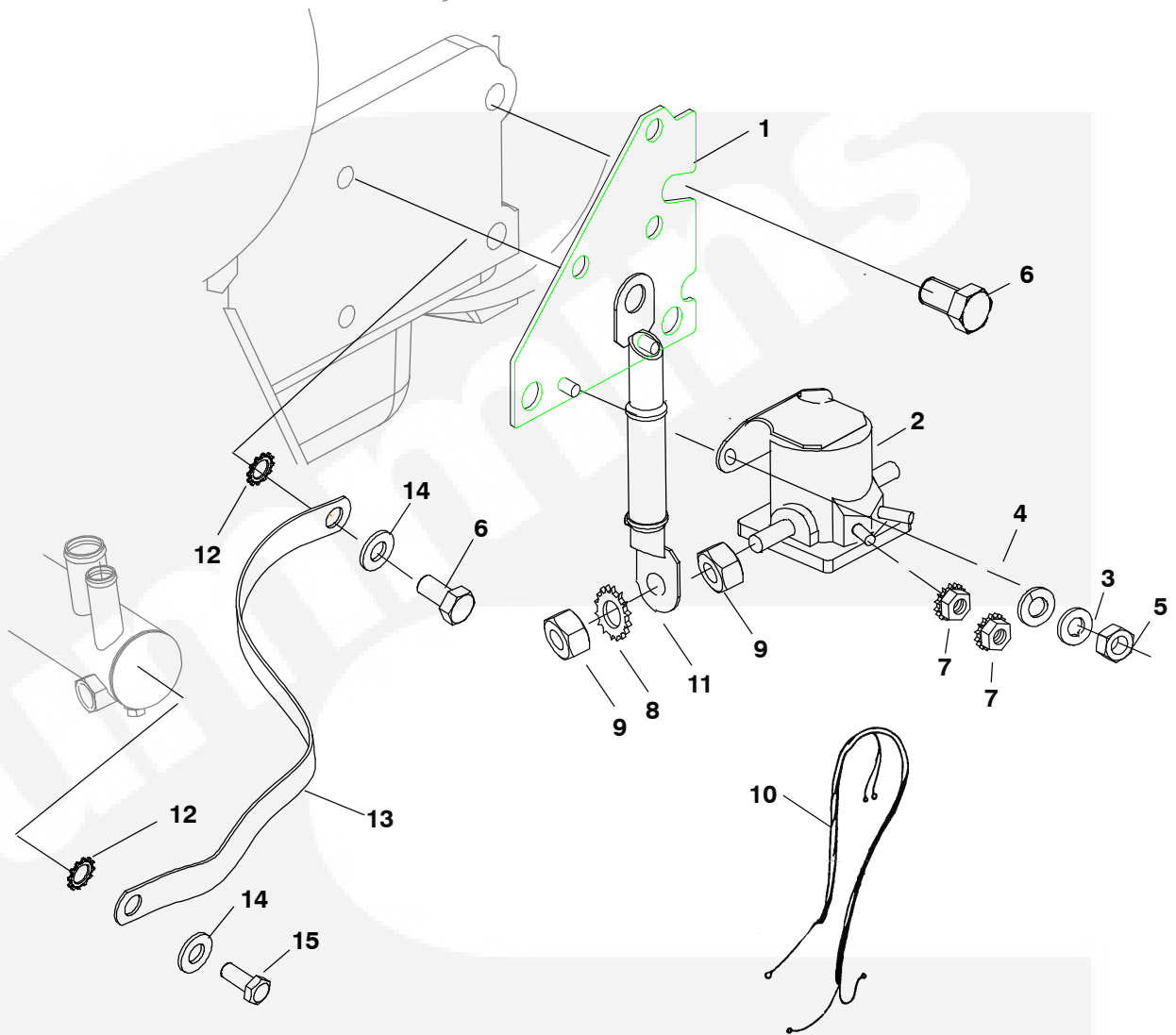
Exhaust Manifold



Exhaust Manifold

REF NO.	PART NO.	QTY. USED	PART DESCRIPTION	REF NO.	PART NO.	QTY. USED	PART DESCRIPTION
	155-3146	1	Kit, Dry Exhaust (Includes Parts Marked +)				(Dry Exhaust) (M8 x 30mm)
	155-3240	1	Kit, Front Exhaust (Includes Parts Marked*)	13	503-1137	2	Clamp Hose
			Kit, Exhaust (Includes Parts Marked #)	14			Plug, Pipe
	155-3240	1	MDKAV		502-0153	1	MDKAV
	155-3257	1	MDKAW, MDKAZ		502-0820	1	MDKAW, MDKAZ
	300-4686-01	1	Kit, Low Coolant Sender (Includes Sender Harness)	15	503-2046	1	Hose, Coolant
1			Manifold Assy (Includes Filler Neck)	16	503-2249	4	Hose, Exhaust (Wet)
	154-3020-S1	1	MDKAV	17			Tube, Exhaust (Wet)
	154-3060-S0	1	MDKAW, MDKAZ		155-3522	1	MDKAV
2	130-3721	1	Cap, Radiator		155-3523	1	MDKAW, MDKAZ
3			Gasket, Exhaust Manifold	18	503-1142	4	Clamp, Hose (Wet)
	185-6925	1	MDKAV	19	526-0003	2	Washer, Flat (Wet)
	185-6854	1	MDKAW, MDKAZ	20			Stud
4			Nut, Hex Flange (M7 x 1mm)		185-7110	6	MDKAV
	185-6699	6	MDKAV		185-7110	8	MDKAW, MDKAZ
	185-6699	8	MDKAW, MDKAZ	21	155-2033	1	Elbow, Exhaust (2")
5	155-3261-02	1	Mixer, Elbow (Wet)	22			Hose, Exhaust
6	185-6853	1	+ Gasket, Exhaust		503-1963	1	2" x 3'
7	850-0114-54	4	Washer, Lock (M8)		503-1963	1	2" x 5'
8	815-0916	4	Screw, Socket Head Cap (M8 x 1.25 x 25mm) (Wet)		503-1353	1	2" x 10'
9	309-0295-01	1	Switch, Temperature (Wet)		503-1353	1	2" (Bulk)
10	815-0862	2	Screw, Pan Head XREC (M4 x 10mm) (Wet)	23	503-1527	1	*Elbow, Molded Exhaust
11	155-2666-01	1	+ Elbow, Exhaust (Dry Exhaust)	24	503-1142	4	*Clamp, Hose
12	800-2515	4	Screw, Hex Head Cap	25			*Tube, Exhaust (MDKAV)
					155-3233	1	MDKAV (27")
					155-3256	1	MDKAW, MDKAZ (30.5")
				26	508-0115	1	*Grommet
				27	193-0468	1	Sender, Low Coolant
				28	502-0029-06	1	Bushing, Reducer (3/4 to 1/4")
							MDKAW and MDKAZ

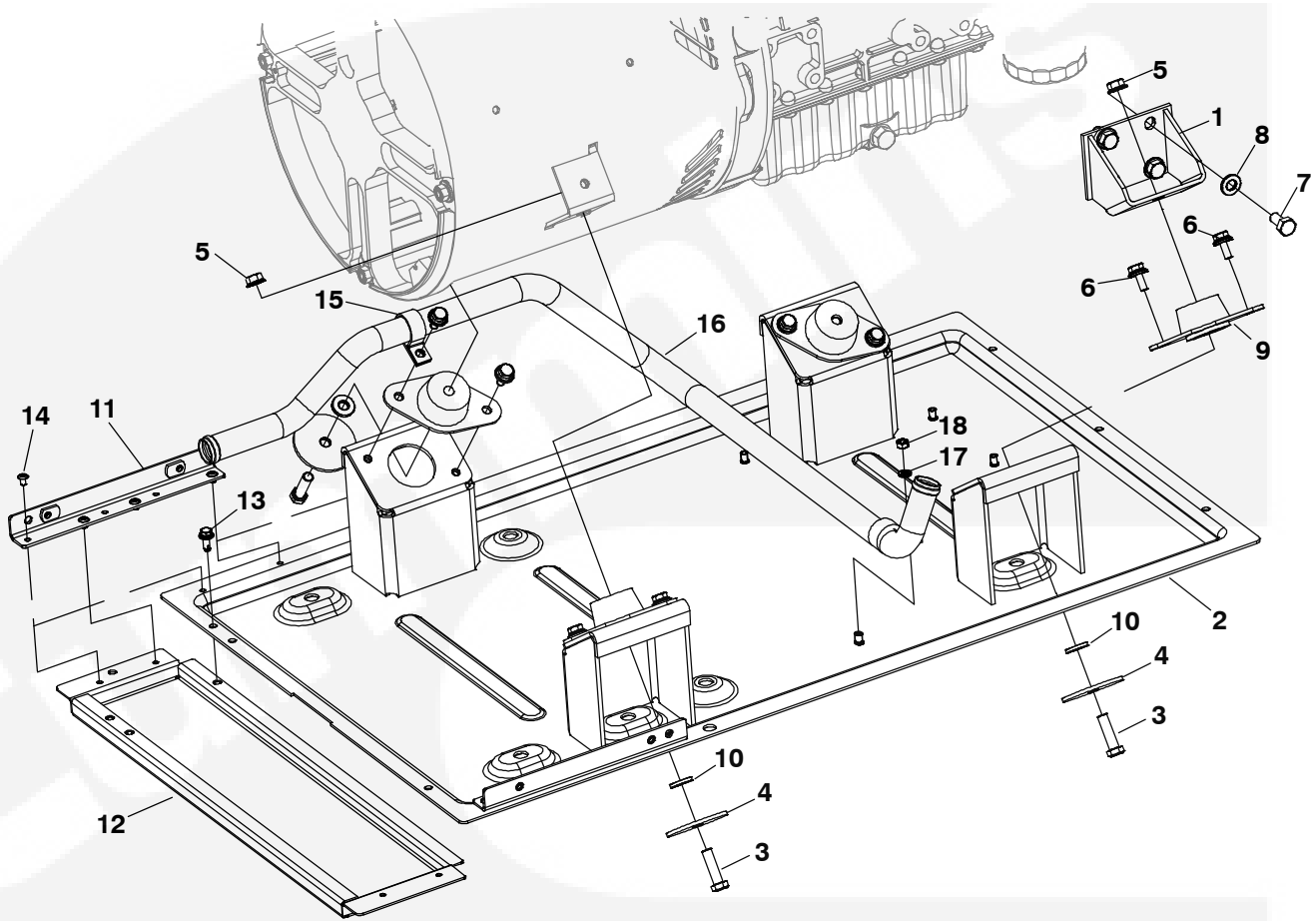
Isolation Ground



REF NO.	PART NO.	QTY. USED	PART DESCRIPTION	REF NO.	PART NO.	QTY. USED	PART DESCRIPTION
			Kit, Isolated Ground (Includes Screws, Sending Units and Harness)	7	870-0131	2	*Nut, ET Hex (#10-32) (12V)
				8	853-0016	2	*Washer, ET Lock (5/16")
				9	862-0026-30	2	*Nut, Hex (5/16-24)
	541-0823	1	12V	10	338-4159	1	Harness, Isolated Ground
	541-0824	1	24V	11	338-4200-02	1	*Harness, Ground
	333-0662-02	1	Assy, Solenoid Bracket (Includes Parts Marked *)	12	853-2010	2	Washer, ET Lock (M10)
1	333-0732-02	1	*Bracket, Solenoid	13	337-3466-01	1	Strap, Bond
2			*Relay, Solenoid	14	526-2120	2	Washer, Flat (M10)
	307-1617	1	12V	15	800-0026	1	Screw, Hex Head (5/16-10 x 3/4")
	307-2656	1	24V				
3	526-0399-58	2	*Washer, Flat (M6)				
4	850-0114-53	2	*Washer, Split Lock (M6)				
5	862-0026-54	2	*Nut, Hex (M6)				
6	800-3004	3	Screw, Hex Head Cap (M12 x 1.25 x 20)				

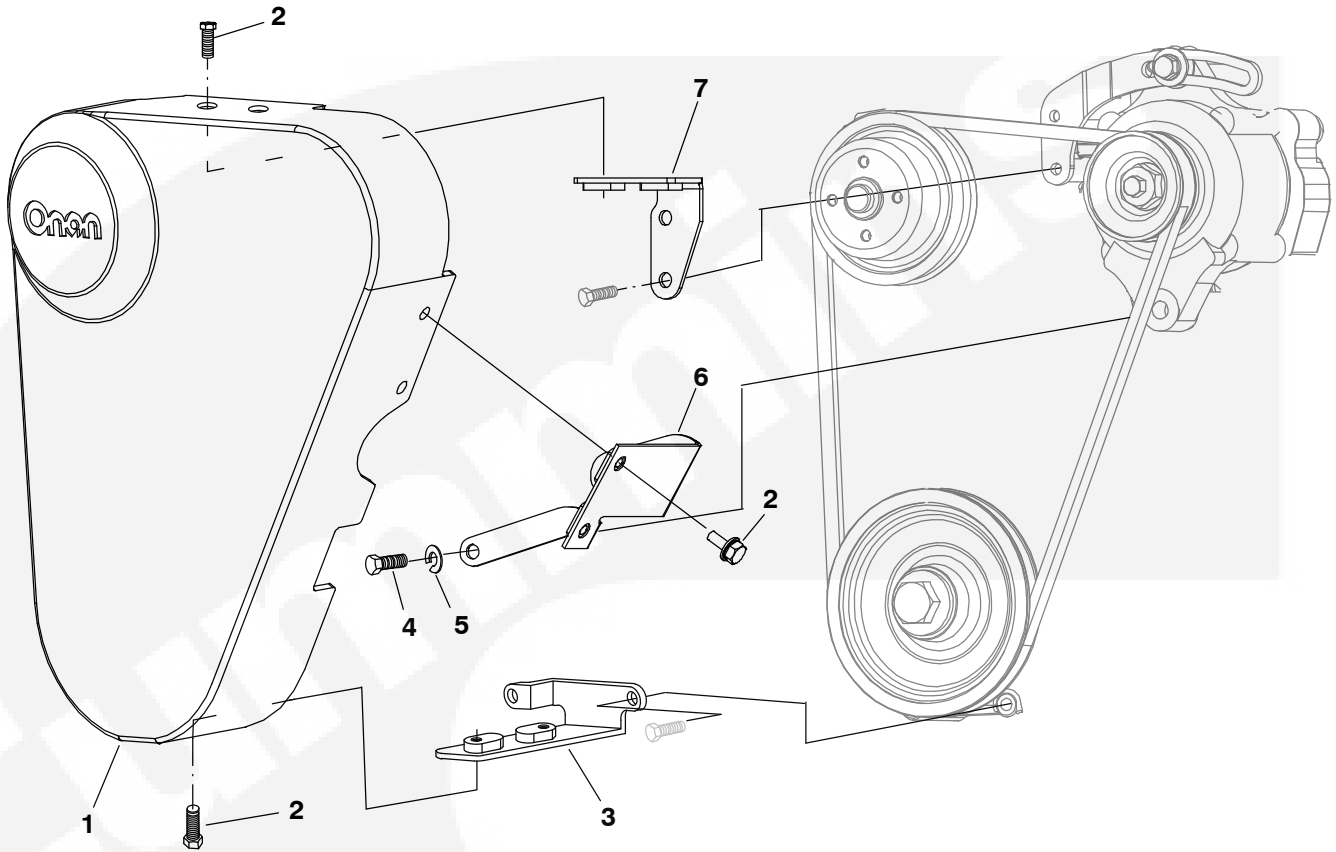
* - Relay Solenoid ties to B- and K9-1 Isolated Ground
Harness (338-4200-01)

Mounting Base



REF NO.	PART NO.	QTY. USED	PART DESCRIPTION	REF NO.	PART NO.	QTY. USED	PART DESCRIPTION
1	403-4168-04	2	Mount, Engine	10	526-0030	4	Washer, Flat
2	403-7108-03	1	Base, Mounting	11	405-6516-02	2	Housing, Bracket
	403-7108-04	1	MDKAV	12	405-6518-02	1	Extension, Mounting Base (MDKAW, MDKAZ)
3	800-0573	4	MDKAW, MDKAZ	13	821-6006-01	2	Screw, Hex Head Sems Stainless (M6 1.0 x 16mm) (MDKAW, MDKAZ)
4	526-0325	4	Screw, Hex Head Cap (3/8-16 x 2.25")	14	818-0231-01	6	Rivet, Pop MDKAV
5	870-0550-09	4	Washer, Flat		818-0231-01	8	MDKAW, MDKAZ
6	821-6003-01	8	Nut, Hex (3/8-16)	15	518-0548-42	2	Clamp, Hose
7	800-3004	8	Screw, Hex Head Sems (M8 x 1.25 x 16mm)	16	130-5448-01	1	Tube, Coolant MDKAV
8	526-0399-62	8	Screw, Hex Head Cap (M10 x 1.25 x 20mm)		130-5448-02	1	MDKAW, MDKAZ
9	402-0728-00	4	Washer, Flat (M10)	17	850-0114-53	1	Washer, Lock (M6)
	402-0728-02	4	Isolator, Vibration	18	862-0026-54	1	Nut, Hex (M6)
			MDKAV (Blue Dot, 150lbs)				
			MDKAW, MDKAZ (Purple Dot, 215lbs)				

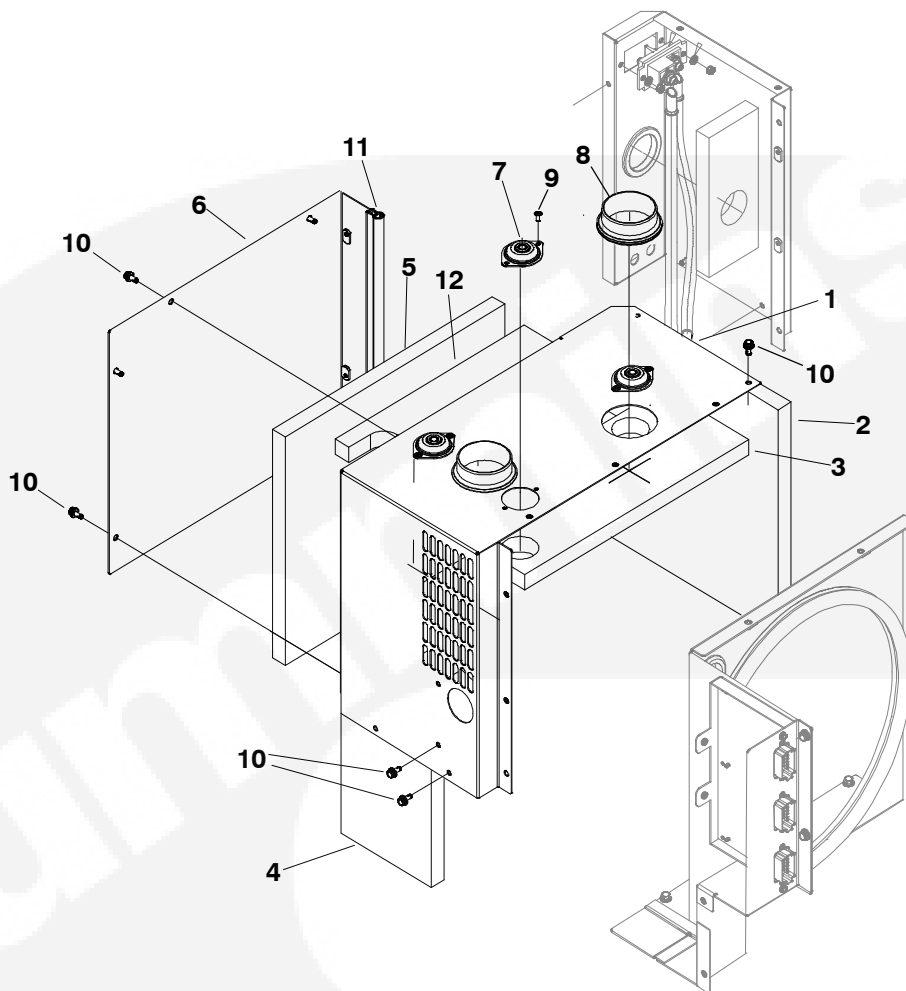
Belt Guard (Unhoused)



REF NO.	PART NO.	QTY. USED	PART DESCRIPTION	REF NO.	PART NO.	QTY. USED	PART DESCRIPTION
	541-0590	1	Kit, Belt Guard	5	850-0114-53	1	Washer, Lock (M6)
1	130-4870	1	Guard, Belt	6	130-4945-03	1	Bracket, Belt Guard Side
2	821-6002-02	6	Screw, Hex Head Sems (M6 x 1 x 12mm)	7	130-4847-03	1	Bracket, Belt Guard Top
3	130-4869-03	1	Bracket, Belt Guard Bottom	* - Unhoused Set Only.			
4	800-3017-02	1	Screw, Hex Head Cap (M6 x 1 x 12mm)				

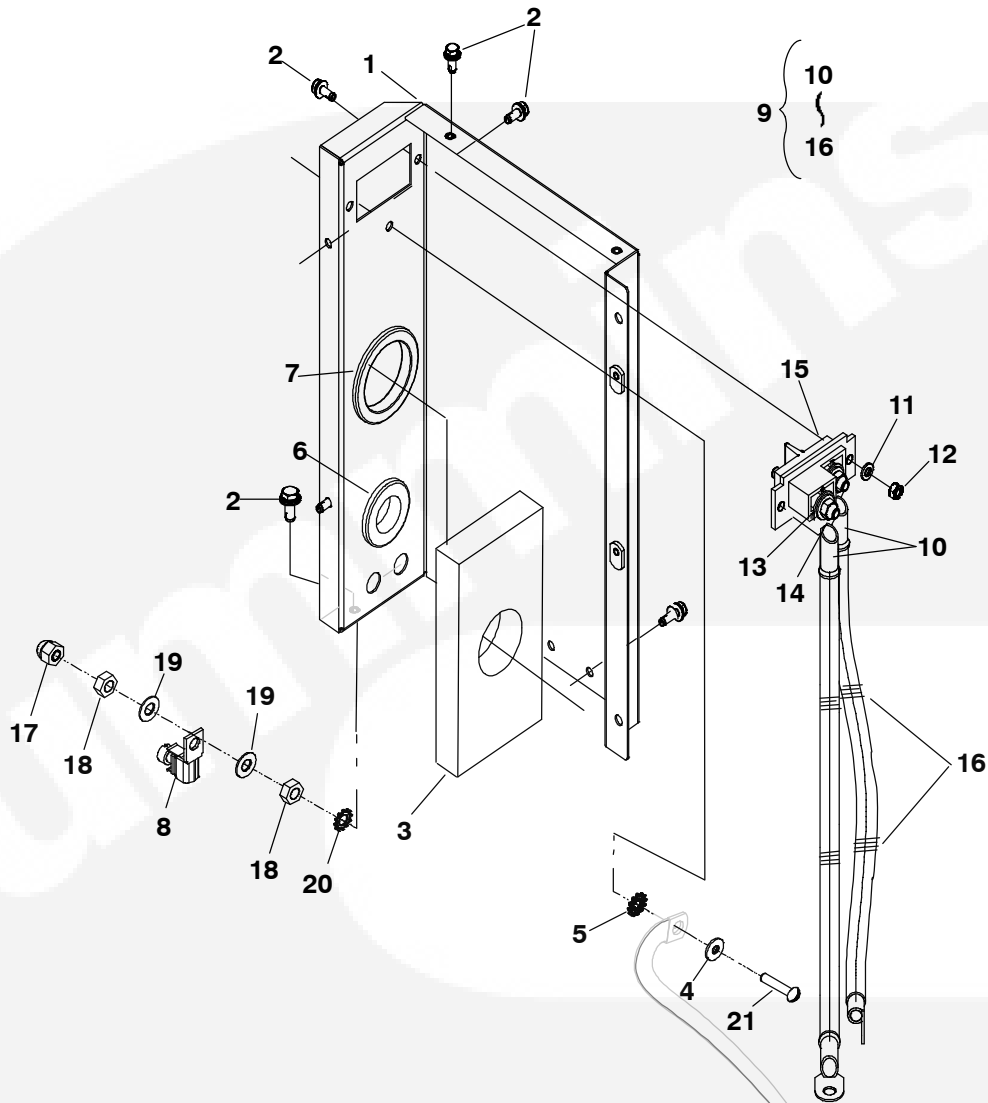


Generator Sound Shield Housing



REF NO.	PART NO.	QTY. USED	PART DESCRIPTION	REF NO.	PART NO.	QTY. USED	PART DESCRIPTION
1	405-6491-03	1	Panel, Housing Single Phase	6	405-6520-03	1	Cover, Rear
	405-7429-03		Three Phase	7	402-0681-01	3	Isolator, Vibration
2	405-6682	1	Insulation, Housing	8	508-1152	2	Grommet, Rubber
3	405-6685	1	Insulation, Housing (Top)	9	818-0231-01	5	Rivet, Pop (.315 x 1.77")
4			Insulation, (Gen)	10	821-6006-01	8	Screw, Hex Head Sems Stainless Steel (M6 x 1.0 x 16mm)
	405-6684	1	Single Phase	11	895-0402	1	Seal, Weather (1.25')
	405-7430	1	Three Phase	12	405-6686	1	Insulation, Housing
5	405-6689	1	Insulation, Housing Rear Cover				

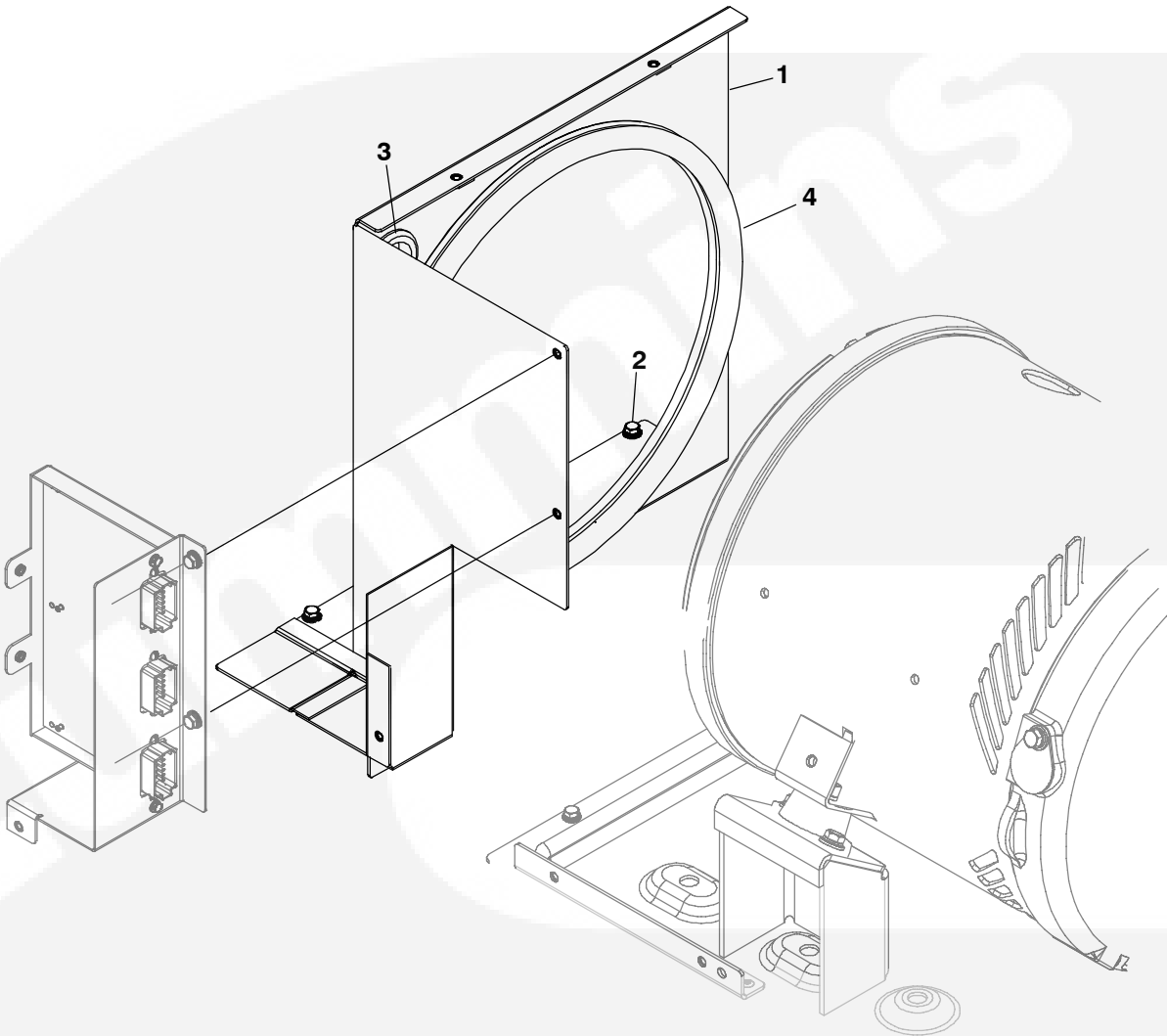
Generator Housing Panel



REF NO.	PART NO.	QTY. USED	PART DESCRIPTION	REF NO.	PART NO.	QTY. USED	PART DESCRIPTION
	332-3771	1	Kit, Terminal Boot (Includes Parts Marked *)	11	526-2081	2	*Washer, Flat
1	405-6492-03	1	Panel, Housing	12	750-1004	3	*Nut, Hex (M6)
2	821-6006-01	7	Screw, Hex Sems Stainless Steel (M6 x 1 x 16mm)	13	526-0054	4	*Washer, Flat Brass (5/16")
3	405-6683	1	Insulation	14	862-0015	2	*Nut, Hex (.313-18)
4	526-2083	1	Washer, Flat (M6)	15	332-3408	1	*Block, Terminal
5	856-0006	1	Washer, EIT (1/4")	16	332-1554	4	*Clamp, Loop
6	508-1102	1	Grommet, Rubber	17	860-2036	1	Nut, Hex Acorn (1/4-20 Nylon)
7	508-0115	1	Grommet, Rubber	18	871-0016	2	Nut, Hex Brass (1/4-20)
8	332-0142	1	Lug, Solderless	19	526-0052	2	Washer, Flat (1/4")
9	338-3577-01	1	*Harness, Battery	20	853-2006	2	Washer, ET (M6)
10			*Red and Black Insulators	21	810-0155	1	Screw, Round Head Brass Mach (1/4-20 x 1-1/4")
	332-2112	1	Black				
	332-2112-01	2	Red				

*- Parts Included in Terminal Boot Kit.

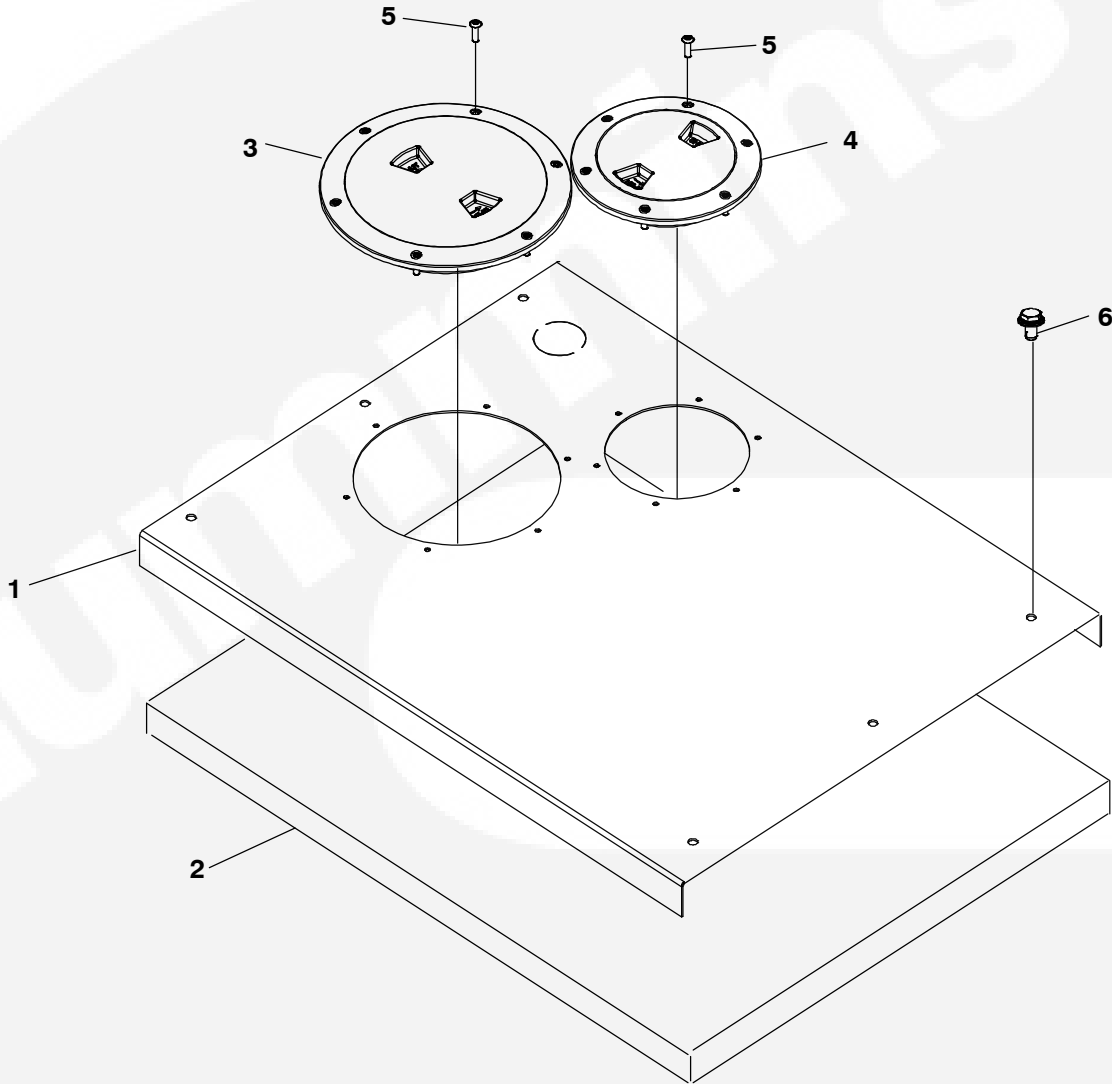
Generator Baffle



REF NO.	PART NO.	QTY. USED	PART DESCRIPTION	REF NO.	PART NO.	QTY. USED	PART DESCRIPTION
1	405-6517-03	1	Baffle, Generator	3	508-1126	1	Grommet, Rubber
2	821-6006-01	2	Screw, Hex Sems Stainless (M6 x 1 x 16mm)	4	895-0381	1	Seal, Weather (3.6')

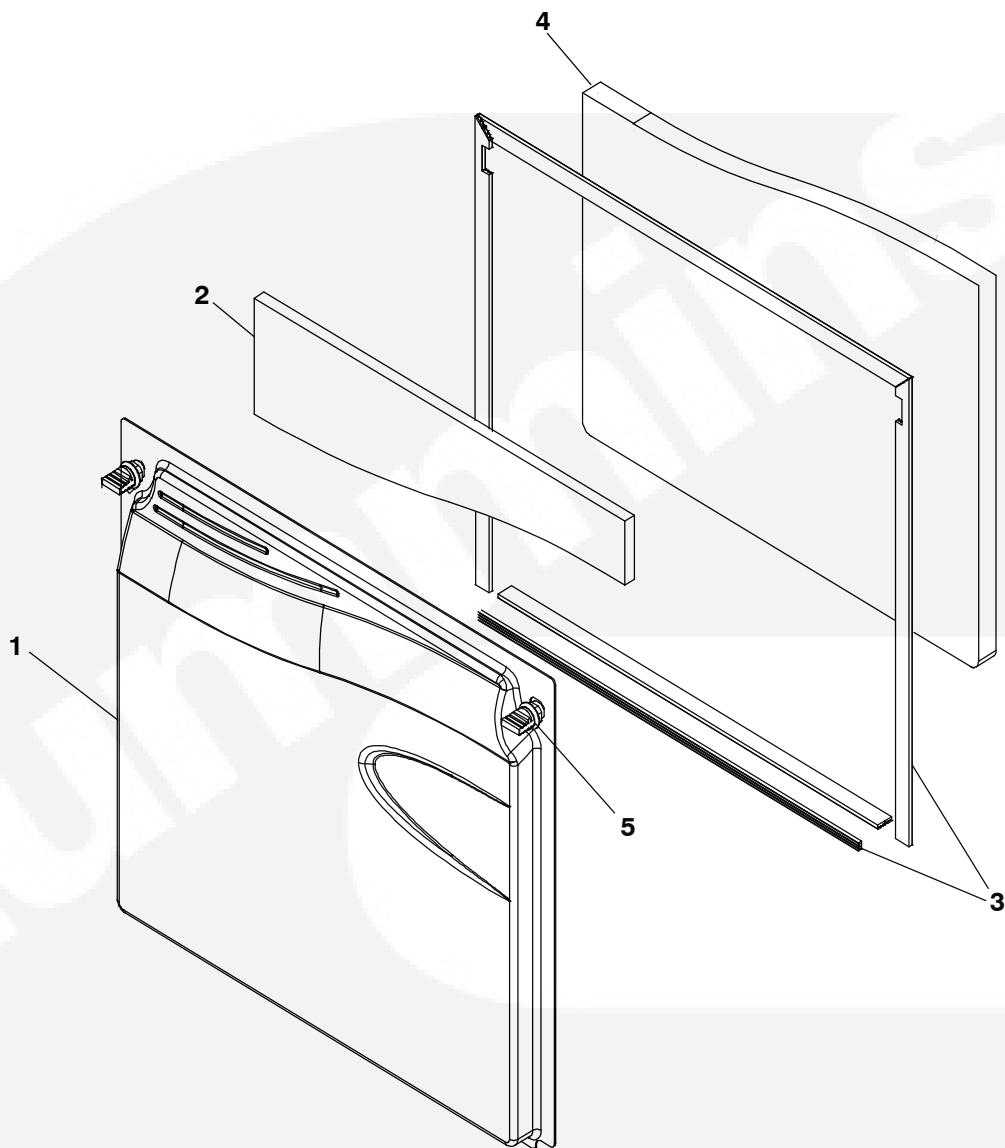


Engine Sound Shield



REF NO.	PART NO.	QTY. USED	PART DESCRIPTION	REF NO.	PART NO.	QTY. USED	PART DESCRIPTION
			Kit, Sound Shield(Includes + for next 3 Pages)	2	405-6688	1	+ Insulation, Roof
	541-0588	1	MDKAV,	3	405-6340	1	+ Cover, Access
	541-0589	1	MDKAW MDKAZ	4	405-6709	1	+ Cover, Access
	405-6959	1	Kit, Panel Roof	5	818-0239-03	12	+ Rivet, Pop
1	405-6524-03	1	+ Panel, Roof	6	821-6006-01	6	+ Screw, Hex Head Sems (M6 x 1 x 16mm)

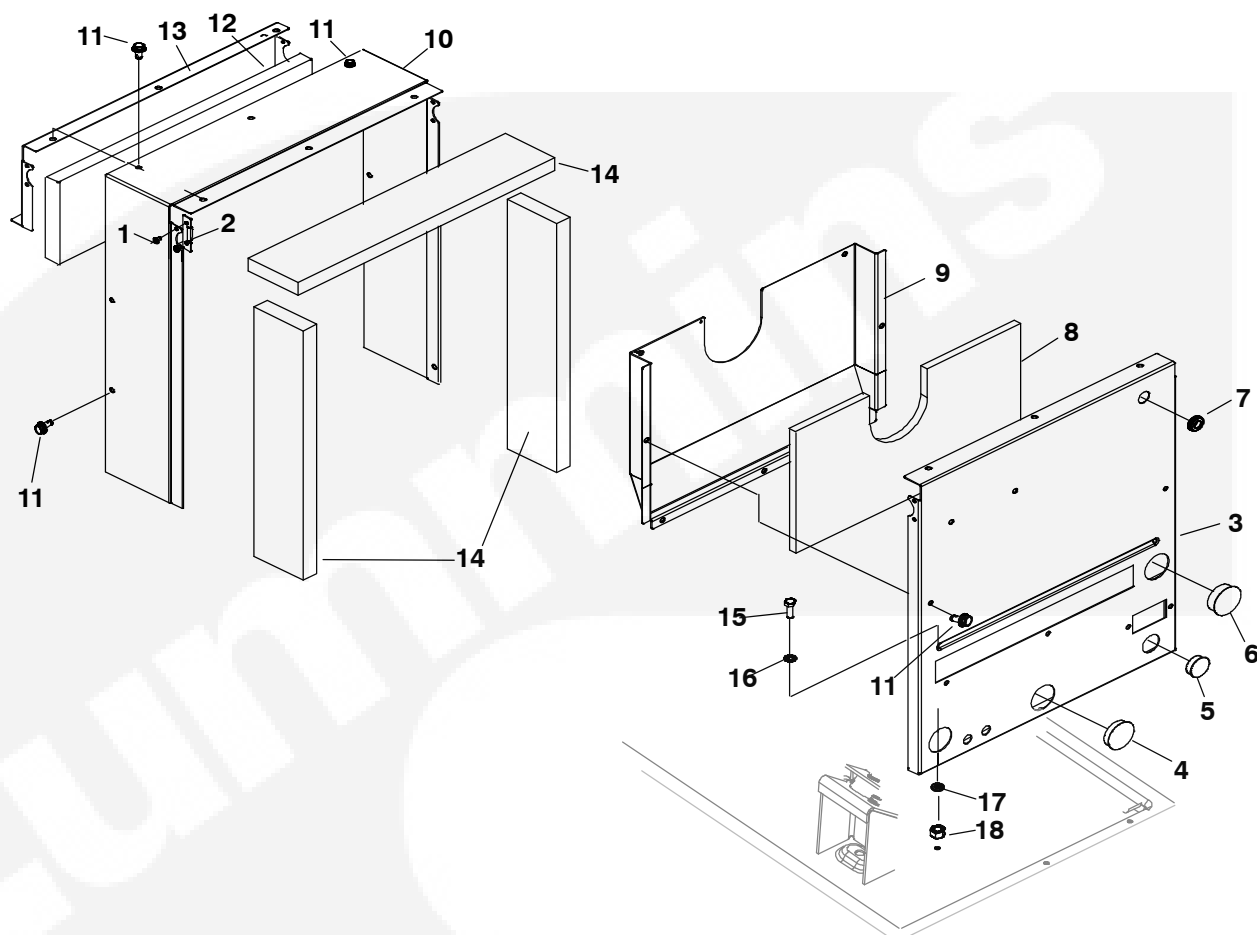
Engine Panel Sound Shield



REF NO.	PART NO.	QTY. USED	PART DESCRIPTION	REF NO.	PART NO.	QTY. USED	PART DESCRIPTION
	405-6957	1	Kit, Door	4	405-6687	1	+Insulation, Door
1	405-6519-03	1	+Door, Sound Shield	5	406-0958	4	+Latch, Door (1/4 Turn)
2	405-6797	1	+Insulation, Door				
3	895-0395	1	+Seal, Weather (31.2')				

+ - Parts Included in Sound Shield Kit Listed on Engine Sound Shield Page. Two Doors on each Unit

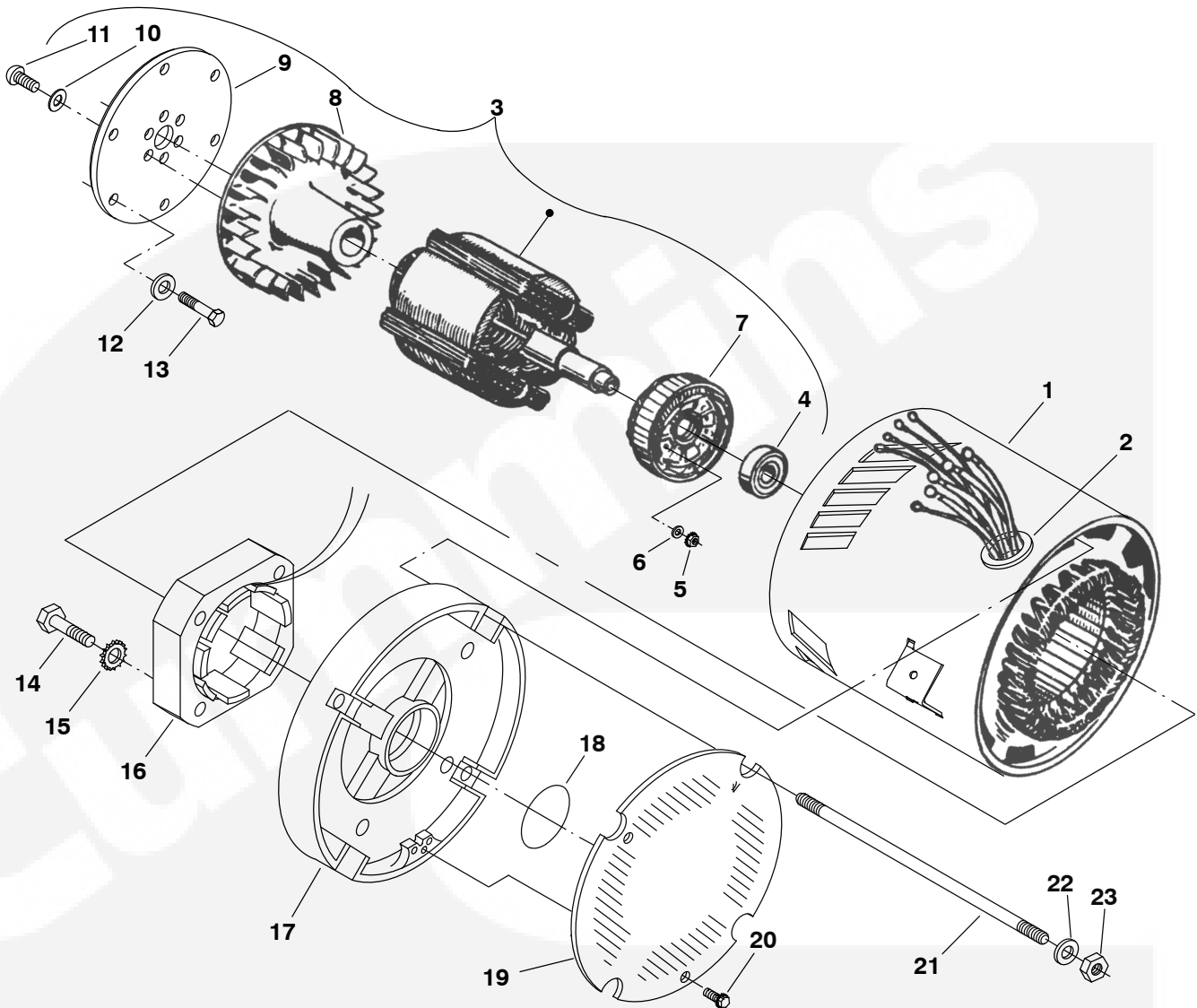
Engine Panel Sound Shield



REF NO.	PART NO.	QTY. USED	PART DESCRIPTION	REF NO.	PART NO.	QTY. USED	PART DESCRIPTION
	405-6958	1	Kit, Front Panel (Includes Parts Marked *)	11			Screw, Hex Sems Stainless (M6 x 1 x 16mm)
	405-6961-02	1	Kit, Panel Duct (Includes Insulation and Panel)	821-6006-01	16		MDKAV
			Kit, Roof Extension Panel (Included Catch & Rivets #)	821-6006-01	23		MDKAW, MDKAZ
	405-6961-01	1	MDKAV	12	405-4445-03	1	#> Panel, Roof End Insulation
	405-6961-02	1	MDKAW, MDKAZ	13	405-6523-03	1	#> Panel, Roof End
1	818-0231-01	8	*+> Rivet, Pop	14	405-6811	3	#> Insulation, Panel Roof Extension (MDKAW, MDKAZ)
2	406-1032	4	*+> Catch, Door	15	800-6033	1	#> Screw, Hex Head Cap (M6 x 1x 16mm)
3	405-6513-03	1	*+> Panel, Front	16	853-2006	1	#> Washer, ET (M6)
4	517-0138-07	1	*+> Plug, Hole	17	850-2056	3	#> Washer, Lock (M6)
5	517-0138-04	1	*+> Plug, Hole	18	860-2057	3	#> Nut, Hex (M6)
6	517-0138-09	1	Plug, Hole				
7	508-0021	1	*+> Grommet, Rubber				
8	405-6700	1	Insulation, Duct				
9	405-6515-03	1	Panel, Duct				
10	405-6961-02	3	#> Panel, Roof Extension (MDKAW, MDKAZ)				

* - Parts Included in Front Panel Kit.
 # - Parts Included in Roof Extension Panel Kit.
 + - Parts Included in Sound Shield Kit Listed on Engine Sound Shield Page.

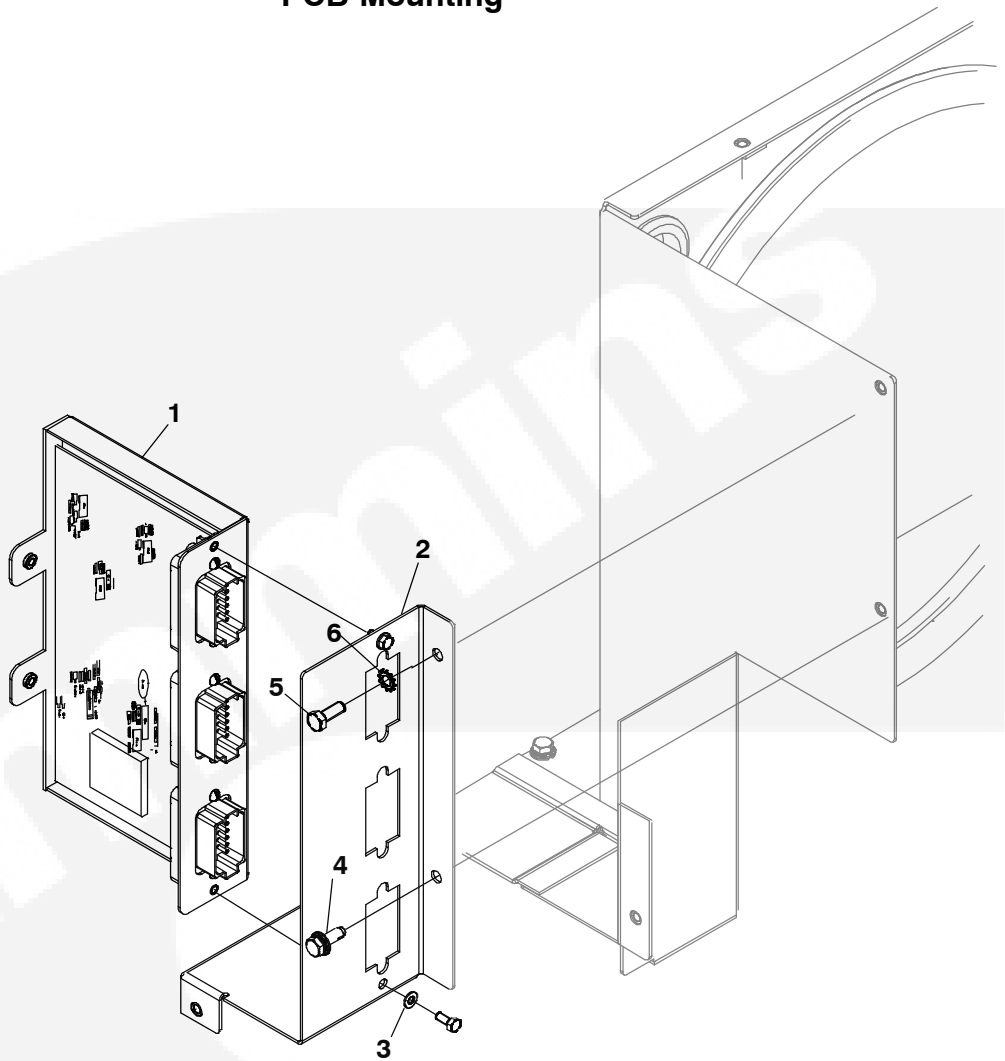
Generator



REF NO.	PART NO.	QTY. USED	PART DESCRIPTION	REF NO.	PART NO.	QTY. USED	PART DESCRIPTION
1			Stator, Generator (Includes Grommet)	13	815-0917-04	6	Screw, Hex Head Cap (.375-16NC x 1.00)
	220-4600-01	1	MDKAV	14	815-0935	4	Screw, Hex Head Thread Form (1/4")
	220-4600-03	1	MDKAW, MDKAZ	15	853-0013	4	Washer, Lock ET (1/4")
2	508-0183	1	Grommet	16	220-4413-02	1	Stator, Exciter
3			Rotor Assy, Generator (Includes Parts Marked *)	17	211-0465-02	1	Endbell
	201-3565-01	1	MDKAV	18	509-0094	1	Seal, O'Ring
	201-3565-03	1	MDKAW, MDKAZ	19	234-0989-S0	1	Cover, Endbell
4	510-0112	1	*Bearing, Ball	20	815-0181	3	Screw, ET Hex Head Thread Cutting (#10-32 x 1/2")
5	870-0131	2	*Nut, ET Hex (#10-32)	21			Stud
6	526-0399-11	2	*Washer, Flat (#10)		520-1002-06	4	MDKAV
7	201-3515-02	1	*Rotor, Exciter		520-1004-02	4	MDKAW, MDKAZ
8	205-0255	1	*Fan, Generator	22	526-0399-42	4	Washer, Flat (.375")
9	232-2826	1	*Disk, Rotor Drive	23	862-0041	4	Nut, Hex (.375")
10	526-0399-42	6	*Washer, Flat (.38")				
11	815-0917-04	6	*Screw, Button Head Torx (3/8-16 x 1")				
12	526-0399-41	6	Washer, Flat (.312)				

* - Parts Included in Rotor Assy.

PCB Mounting



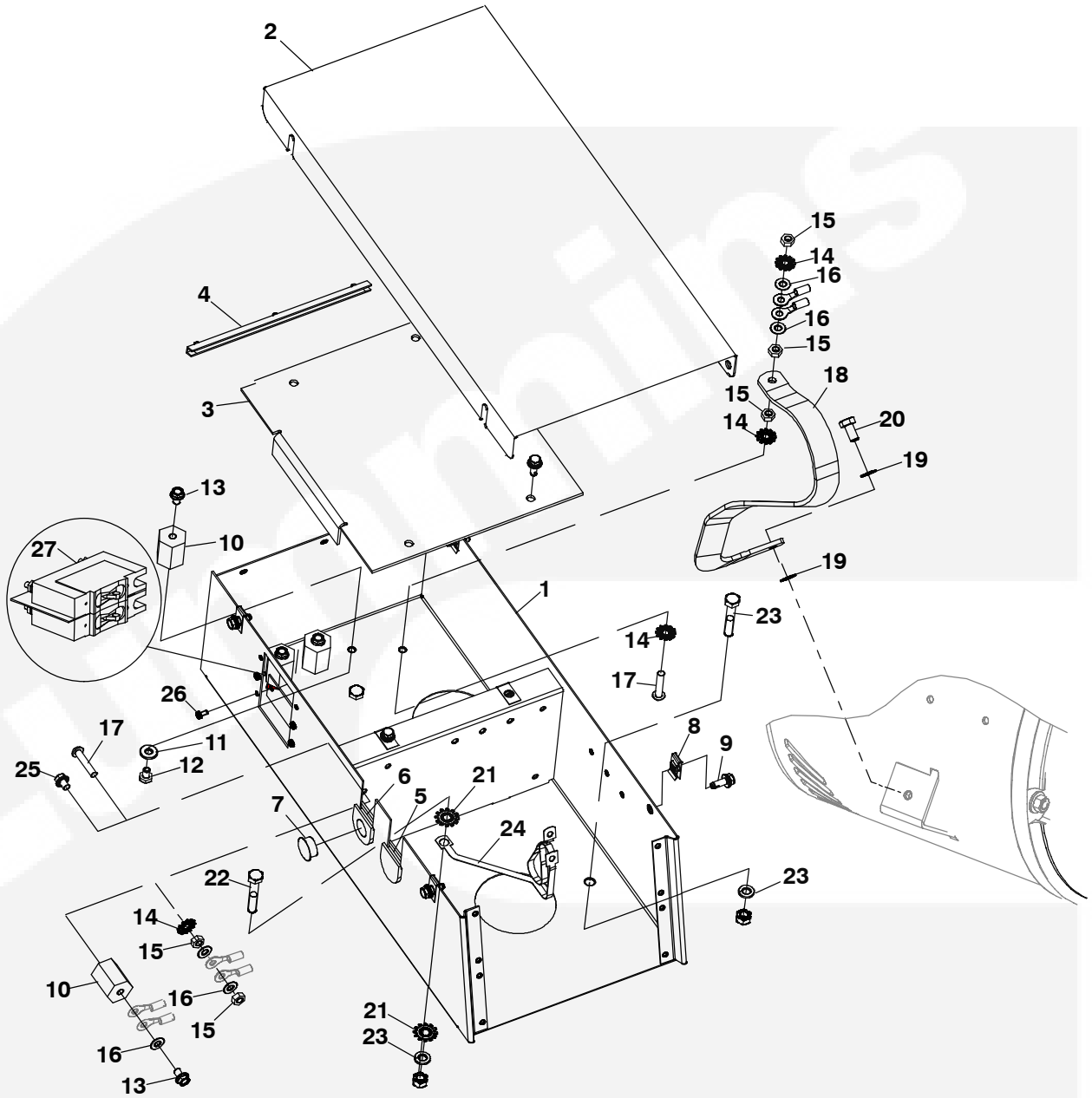
REF NO.	PART NO.	QTY. USED	PART DESCRIPTION	REF NO.	PART NO.	QTY. USED	PART DESCRIPTION
1	327-1533	1	PCB, Control	5	800-6033	1	Screw, Hex Head Sems Stainless (M6 x 1 x 16mm)
2	405-6522-03	1	Panel, UMC Mounting	6	853-2006	1	Washer, ET (M6)
3	526-2050	2	Washer, Flat (M4)				
4	821-6006-01	1	Screw, Hex Head Sems Stainless (M6 x 1 x 16mm)				



This Page Intentionally Left Blank.

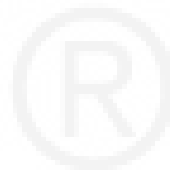


Control Box

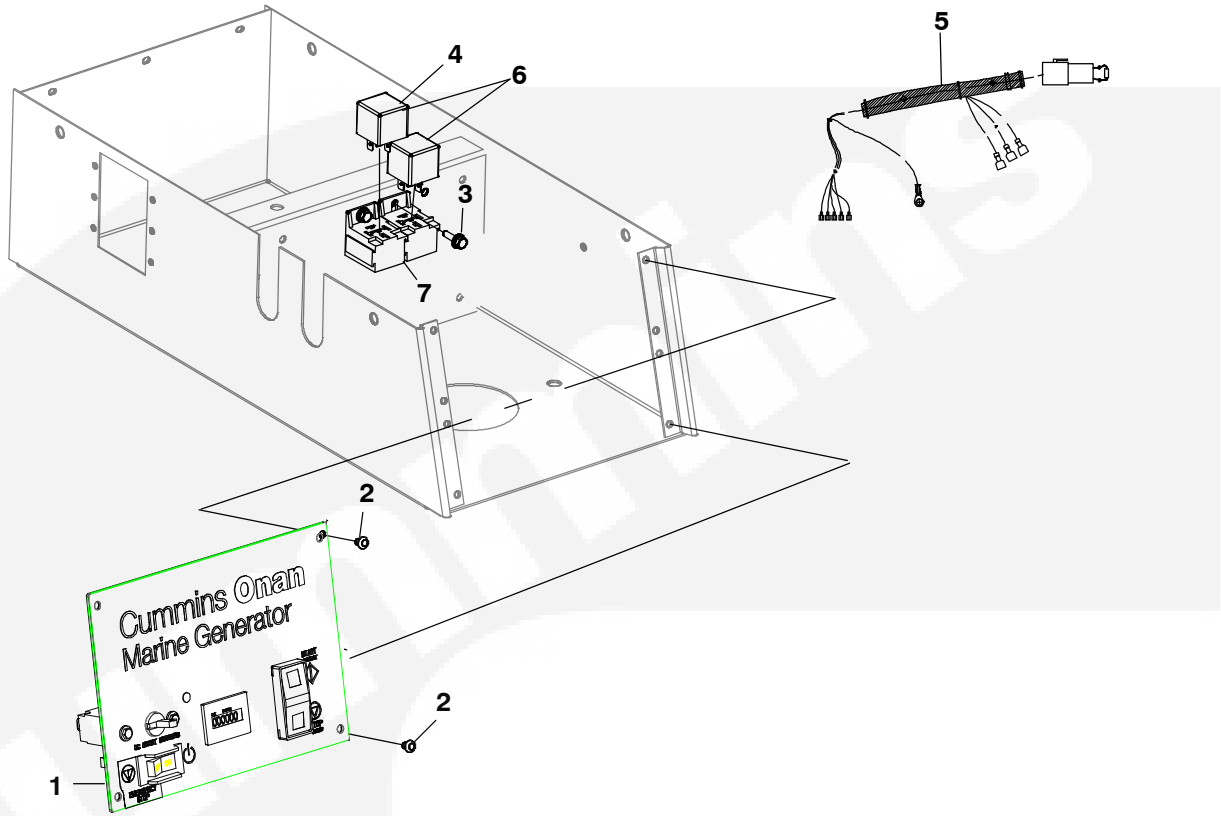


Control Box

REF NO.	PART NO.	QTY. USED	PART DESCRIPTION	REF NO.	PART NO.	QTY. USED	PART DESCRIPTION
1	319-5503-03	1	Control, Box				ISO GND (1/4-20 x .31")
2	319-4370-03	1	Cover, Control	26			Screw, Pan Head XREC (6-32 x .31)
3	319-4404	1	Cover, Control				Single Phase
4	332-3750	1	Guide, Card		815-0550-01	4	Three Phase
5	508-1105-01	1	Grommet, Remote		815-0550-01	6	Breaker, Circuit
6	508-1105	1	Grommet, Remote	27			MDKAV
7	517-0136	1	Plug, Hole				2 Pole 120/240V
8	870-2228	6	Clip, Nut				30Amps
9	821-6006-01	6	Screw, Hex Head Sems Stainless (M6 x 1 x 16mm)		320-1689-04	1	35Amps
					320-1689-05	1	40Amps
10	332-2370	2	Standoff, Insulator		320-1689-06	1	70Amps
11			Washer, Flat (1/4-20)		320-1689-12	1	3 Pole 240V
	526-0399-13	2	Single Phase				25Amps
	526-0399-13	3	Three Phase		320-1836-03	1	30Amps
12			Screw, Hex Head Cap (1/4-20 x .375")		320-1836-04	1	15Amps
	800-0310-01	2	Single Phase		320-1891-05	1	13Amps
	800-0310-01	3	Three Phase		320-1891-09	1	MDKAV
13			Screw, Hex Flange (1/4-20 x 3/8")				2 Pole 120/240V
	821-0009	2	Neg Gnd Single Phase		320-1689-06	1	40Amps
	821-0009	3	Neg Gnd Three Phase		320-1689-07	1	45Amps
	821-0009	3	ISO Gnd Single Phase		320-1689-08	1	50Amps
	821-0009	4	ISO Gnd Three Phase		320-1689-16	1	90Amps
14			Washer, Lock (1/4")				3 Pole 240V
	856-0006	4	Neg Gnd		320-1836-04	1	20Amps
	856-0006	3	ISO Gnd		320-1836-05	1	25Amps
15			Nut, Hex Brass (1/4-20)		320-1836-06	1	30Amps
	871-0016	5	Neg Gnd		320-1891-03	1	15Amps
	871-0016	3	ISO Gnd		320-1891-05	1	13Amps
16			Washer, Flat Brass (1/4")		320-1891-06	1	13Amps
	526-0052	4	Neg Gnd				MDKAZ
	526-0052	3	ISO Gnd				2 Pole 120/240V
17			Screw, Brass (1/4-20 x 1.25")		320-1689-07	1	45Amps
	810-0155	2	Neg Gnd		320-1689-08	1	50Amps
	810-0155	1	ISO Gnd		320-1689-09	1	55Amps
18	337-2795	1	Strap, Bond		320-1689-10	1	60Amps
19	853-0016	2	Washer, Lock		320-1689-18	1	100Amps
20	800-3017-18	1	Screw, Hex Head Cap (M8 x 1.25 x 16mm)				3 Pole 240V
					320-1836-07	1	45Amps
					320-1836-06	1	40Amps
21	856-0008	2	Washer, EIT(5/16")		320-1836-08	1	50Amps
22	800-6062	3	Screw, Hex Head Cap (M8 x 1.25 x 45mm)		320-1891-01	1	25Amps
					320-1891-03	1	20Amps
23	850-2058	3	Washer, Split Lock Stainless (M8)		320-1891-06	1	18Amps
24	337-3508	1	Strap, Bond				
25	821-0008	1	Screw, Locking Head				

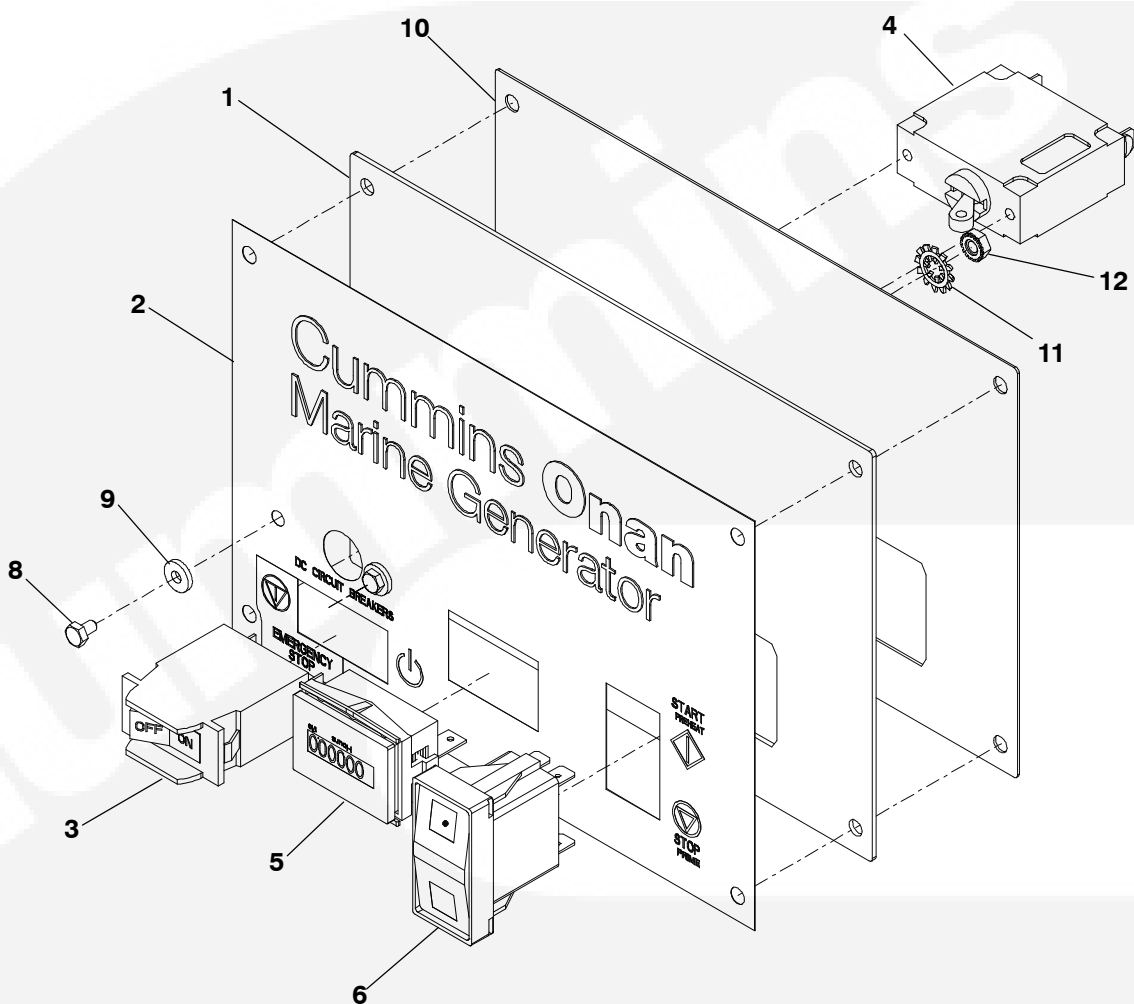


Control Panel Components



REF NO.	PART NO.	QTY. USED	PART DESCRIPTION	REF NO.	PART NO.	QTY. USED	PART DESCRIPTION
	541-0583	1	Kit, Blank Panel (12V Includes Blank Panel Assy and Resistor)	4	307-2819	1	(M5 x .8 x 16mm) Relay (24V)
	541-0584	1	Kit, Blank Panel (24V Includes Blank Panel and PCB Regulator)	5	338-4213	1	12V Harness, Control
1			Assy Panel, Engine		338-4213	1	24V
	300-5476-01	1	12V	6			Relays
	300-5476-02	1	24V		307-2767	2	12V
2	818-1150-03	4	Rivet, Drive Plastic (Std)		307-2767	1	24V
3	821-6001-03	2	Screw, Hex Head Sems	7	323-1563	2	Contact, Relay

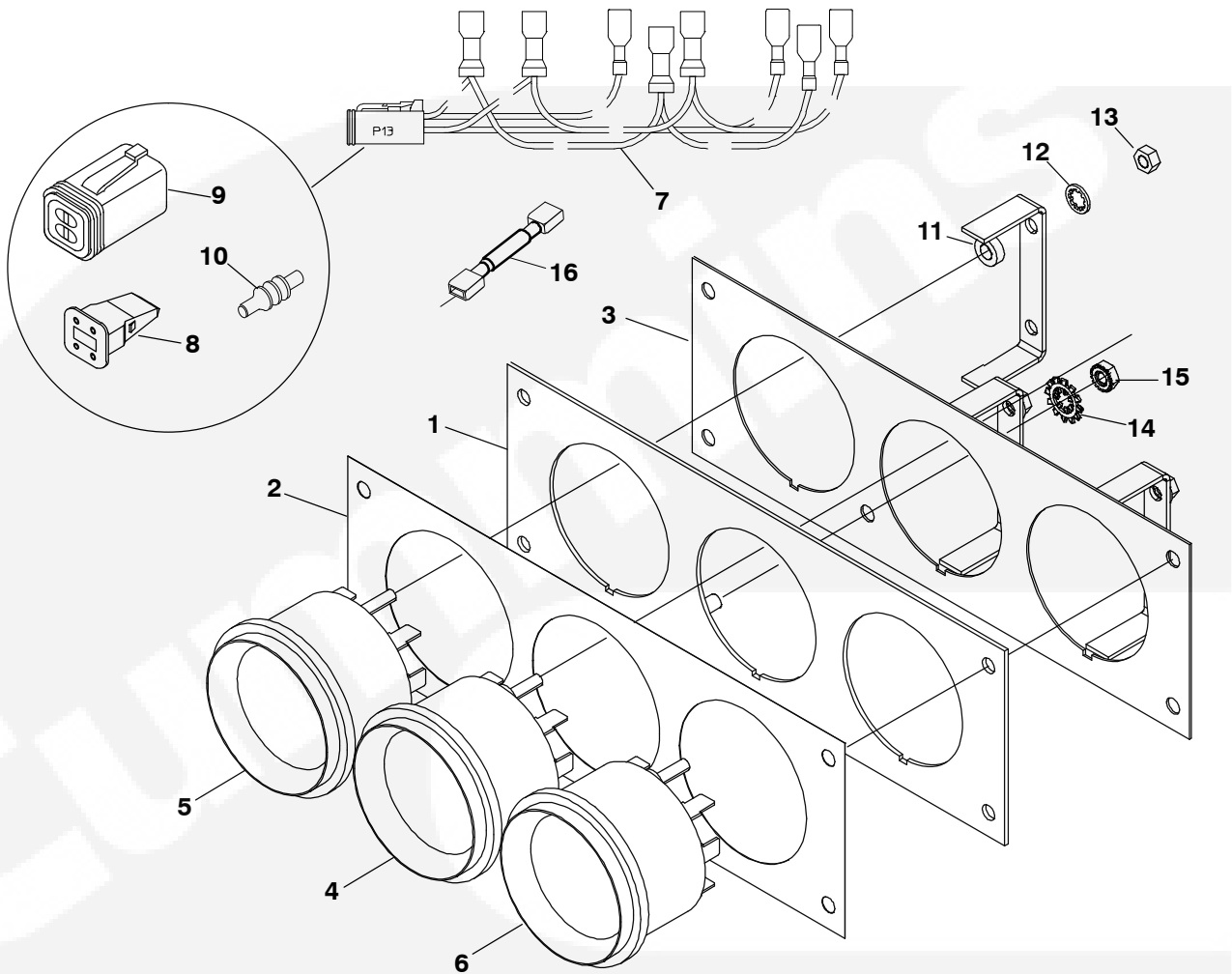
Control Panel Components (Breaker Switch Option)



REF NO.	PART NO.	QTY. USED	PART DESCRIPTION	REF NO.	PART NO.	QTY. USED	PART DESCRIPTION
1	319-4368-06	1	Panel, Control	7	338-4005	1	Harness, Control
2	98-7781	1	Label, Control	8	800-0309-10	2	Screw, Hex Head (6-32 x 1/4")
3	320-11140	1	Breaker, Circuit (50 Amp)	9	526-1002	2	Washer, Flat (#6)
4	320-1862-01	1	Breaker, Circuit (15 Amp)	10	319-4467-02	1	Panel, Control (Gnd)
5	302-2048	1	Meter, Hour	11	856-0003	1	Washer, EIT Lock (#10)
6			Switch, Rocker SPDT	12	870-0131	1	Nut, Sems EIT
	308-1101	1	12VDC				
	308-1102	1	24VDC				

* - See Control Box for Location.

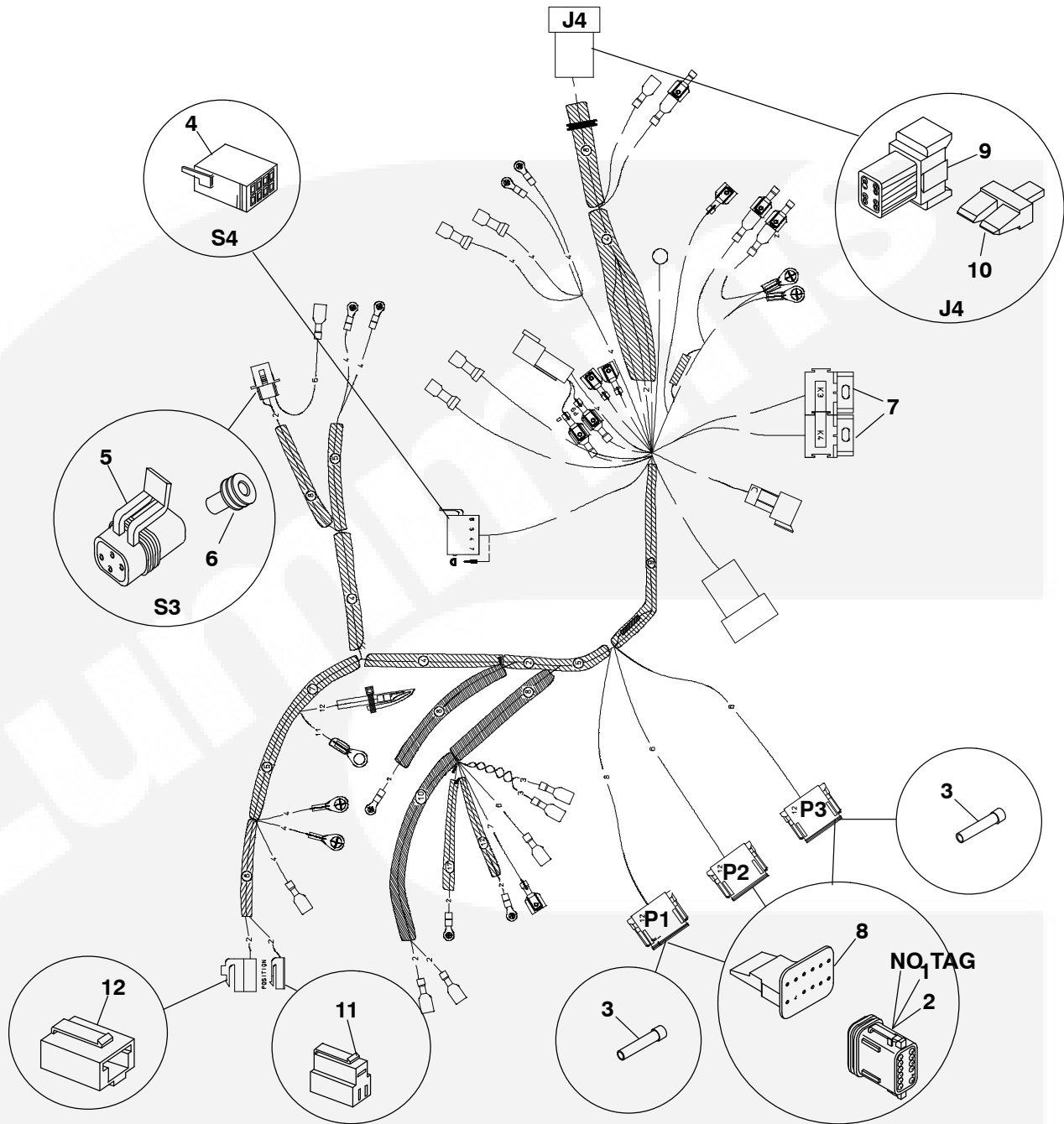
Gauge Panel Components



QTY NO.	PART NO.	REF USED	PART DESCRIPTION	QTY NO.	PART NO.	REF USED	PART DESCRIPTION
			Kit, Gauge Panel (Includes Parts Marked *)	8	323-1548	1	Wedge, Plug
	541-1206-02	1	24V	9	323-1546	1	Connector, Plug
1	319-4368-05	1	*Panel, Control	10	323-1492	4	Terminal, Pin
2	98-7845	1	*Label, Control	11	526-0409	6	*Washer, Nylon (M4)
3	319-4467-01	1	*Panel, Control (GND)	12	850-0114-51	6	*Washer, Lock (M4)
4	302-2087	1	*Meter, Water Temp	13	860-2025	6	*Nut, Hex (M4 x 0.7)
5	302-2088	1	*Meter, Oil Pressure	14	856-0003	1	*Washer, ETIT Lock (#10)
6			*Voltmeter	15	870-0131	1	Nut, Sems ET
	302-2051-01	1	12V	16			Resistor (24V Only)
	302-2051-02	1	24V		304-0835-04	1	620 Ohms
7	338-4010	1	*Harness, Gauge Panel (Includes Connector, Wedge and Plug)		304-0835-03	1	330 Ohms

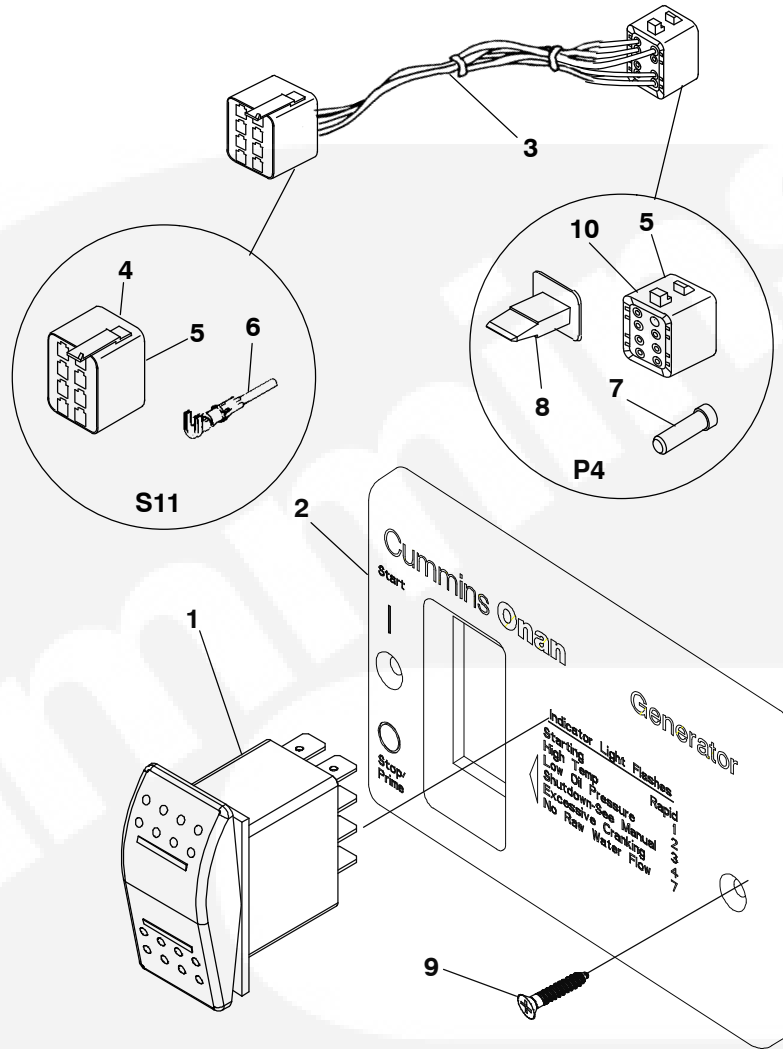
* - Parts Included in Gauge Panel Kit.

Control Harness



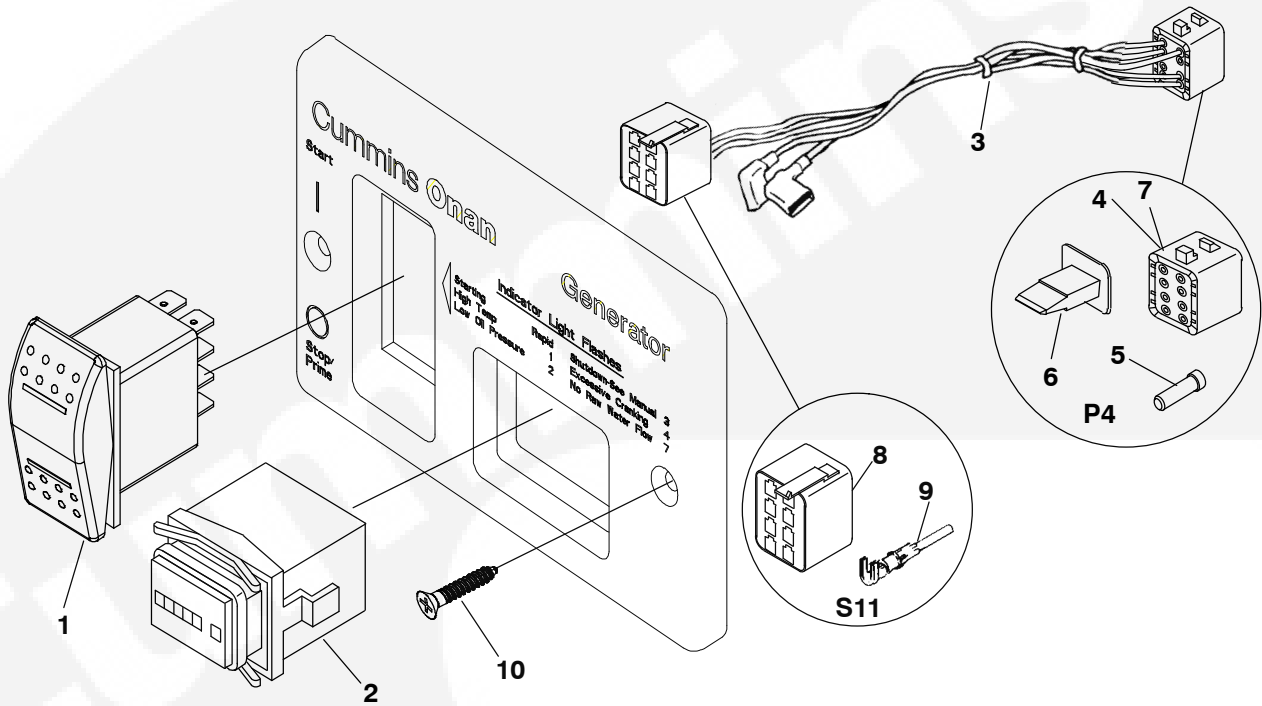
REF NO.	PART NO.	QTY. USED	PART DESCRIPTION	REF NO.	PART NO.	QTY. USED	PART DESCRIPTION
	338-4005		Harness, Control	9	323-1494	1	Connector, Receptacle 3 Pin
1	323-1582-07	1	Plug (12 Pin, Gray P2)	10	323-1502	1	Wedge
2	323-1582-05	1	Plug (12 Pin, Green P3)	11	323-1563	1	Socket, Relay
3	323-1591	AR	Plug (P1, P3)	12	323-1583	3	Plug, Wedge 12Pin, P1, P2, P3
4	323-1549	1	Receptacle, 4 Pin (J9)	13	323-1542	2	Connector, Receptacle 8 Pin
5	323-1547	1	Receptacle, Wedge(J9)	14	323-1544	2	Receptacle, Wedge(J4)
6	323-1708	AR	Seal,Cable(S3)	15	323-1791	1	Connector, Plus 1 Pos
7	308-1019	1	Switch, Connector	16	323-1792	1	Connector, Plus 3 Pos
8	323-1765	1	Connector, Housing 4Pin (S3)				

Remote Control Panel



REF NO.	PART NO.	QTY. USED	PART DESCRIPTION	REF NO.	PART NO.	QTY. USED	PART DESCRIPTION
			Kit, Panel Remote	4	308-1019	1	*Connector, Switch (S11)
	300-5725-01	1	12V	5	332-2890	6	*Terminal, Receptacle (.25")
	300-5725-02	1	24V	6	323-1492	6	*Pin, Contact
1			+Switch, Rocker (S11)	7	323-1591	3	*Plug, Seal
	308-1101	1	12V	8	323-1543	1	*Wedge, Plug (8 Pin)
	308-1102	1	24V	9	815-0910	2	*Screw, Wood (#6 x 1)
2	319-6990	1	Panel, Remote (Includes Printing)	10	98-8092	1	+Label, Indicator (Switch, Meter)
3			+Harness, Remote Panel (Includes Parts Marked *)				* - Parts Included in Remote Panel Harness.
	541-0941-01	1	(12V)				+ - Parts Included in Remote Switch Harness.
	541-0941	1	(24V)				

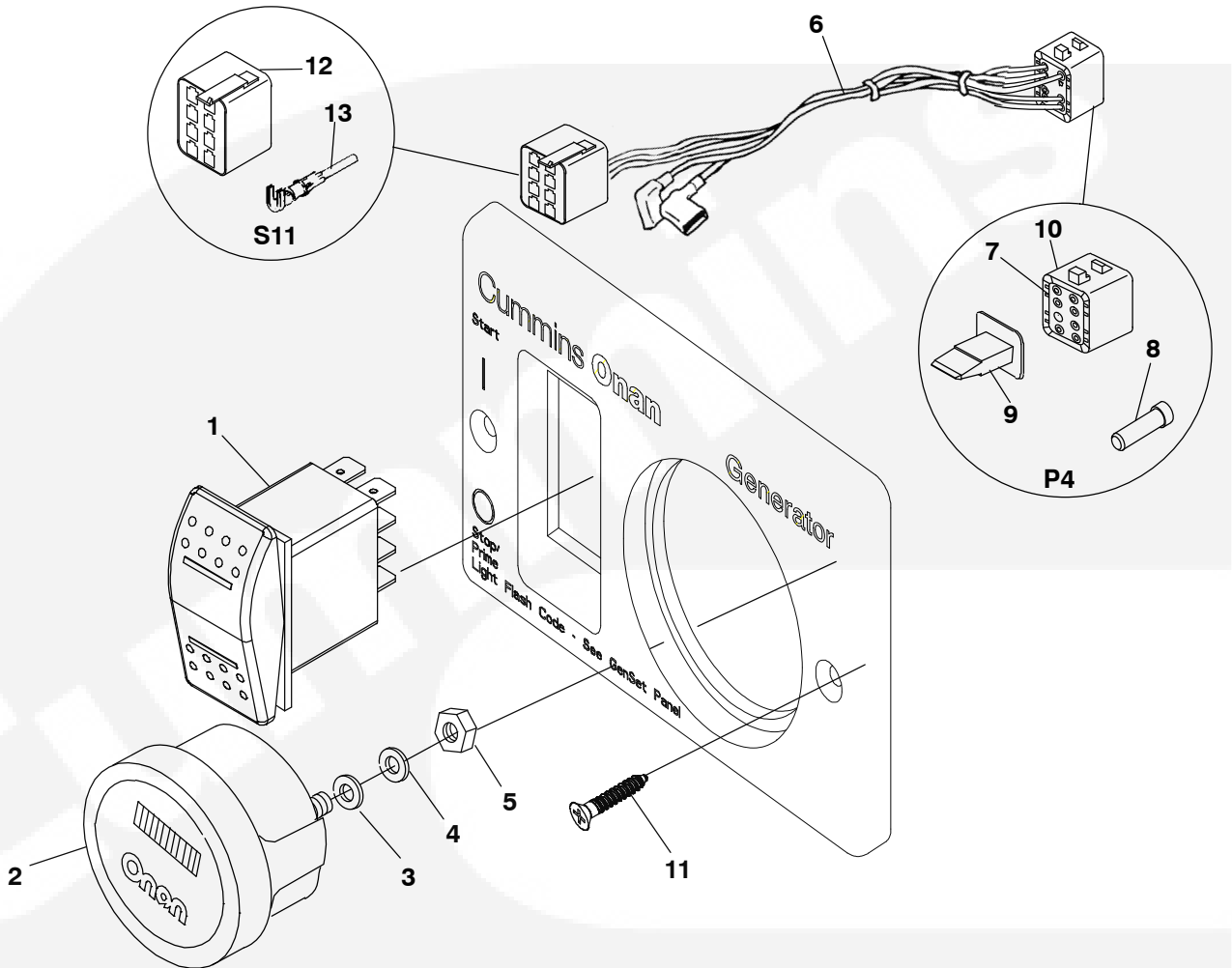
Remote Control Panel w/Hour Meter



REF NO.	PART NO.	QTY. USED	PART DESCRIPTION	REF NO.	PART NO.	QTY. USED	PART DESCRIPTION
			Kit, Panel, Remote	5	323-1591	2	*Plug, Seal
	300-5727-01	1	12V	6	323-1543	1	*Wedge, Plug (8 Pin)
	300-5727-02	1	24V	7	323-1492	6	*Pin, Contact
1			Switch, Rocker (S11)	8	308-1019	1	*Connector, Switch (S11)
	308-1101	1	12V	9	332-2890	6	*Terminal, Receptacle (.25")
	308-1102	1	24V	10	815-0910	2	Screw, Wood (#6 x 1)
2	302-2048	1	Meter, Hour (M11)	11	98-8081	1	Label, Panel (Remote)
3	338-3990	1	Harness, Remote Panel (Includes Parts Marked *)				
4	323-1541	1	*Plug (8 Pin) (P4)				

* - Parts Included in Remote Panel Wiring Harness.

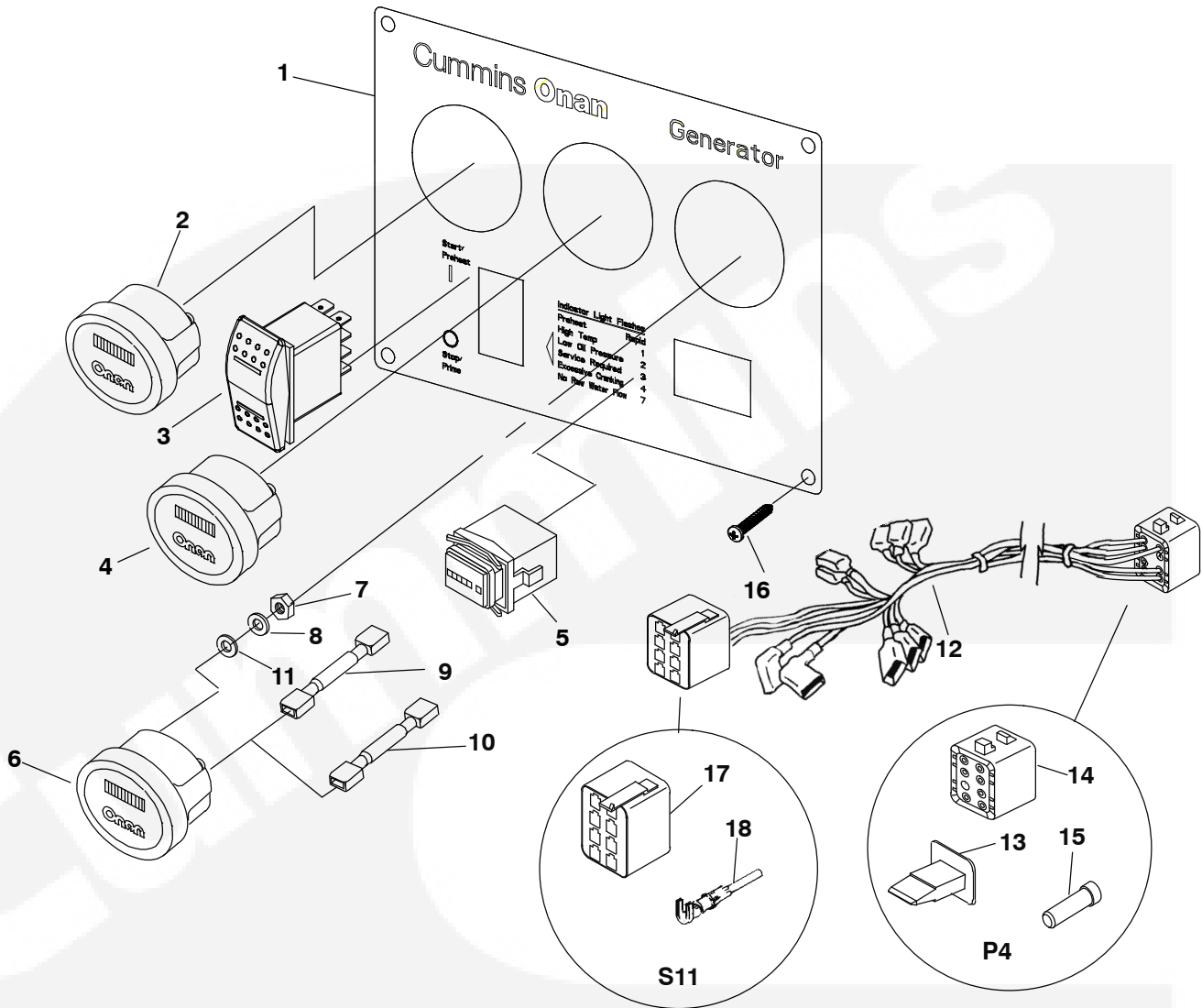
Deluxe Remote Control Panel w/Volt Meter



REF NO.	PART NO.	QTY. USED	PART DESCRIPTION	REF NO.	PART NO.	QTY. USED	PART DESCRIPTION
			Kit, Remote Panel	6	338-3990	1	Harness, Remote Panel (Includes Parts Marked *)
	300-5726-01	1	12V	7	323-1541	1	*Plug, (8 Pin) (J4)
1	300-5726-02	1	24V	8	323-1591	2	*Plug, Seal
	308-1101	1	12V	9	323-1543	1	*Wedge, Plug (8 Pin)
	308-1102	1	24V	10	323-1492	6	*Pin, Contact
2			Meter, Volt (M14)	11	815-0910	2	Screw, Wood (#6 x 1)
	302-2051-01	1	12V (8-18V)	12	308-1019	1	*Connector, Switch (S11)
	302-2051-02	1	24V (16-36V)	13	332-2890	6	*Terminal, Receptacle (.25")
3	526-0409	2	Washer, Nylon				
4	850-0114-51	2	Washer, lock				
5	860-2025	2	Nut, Hex (M4 x .7)				

* - Parts Included in Remote Panel Wiring Harness.

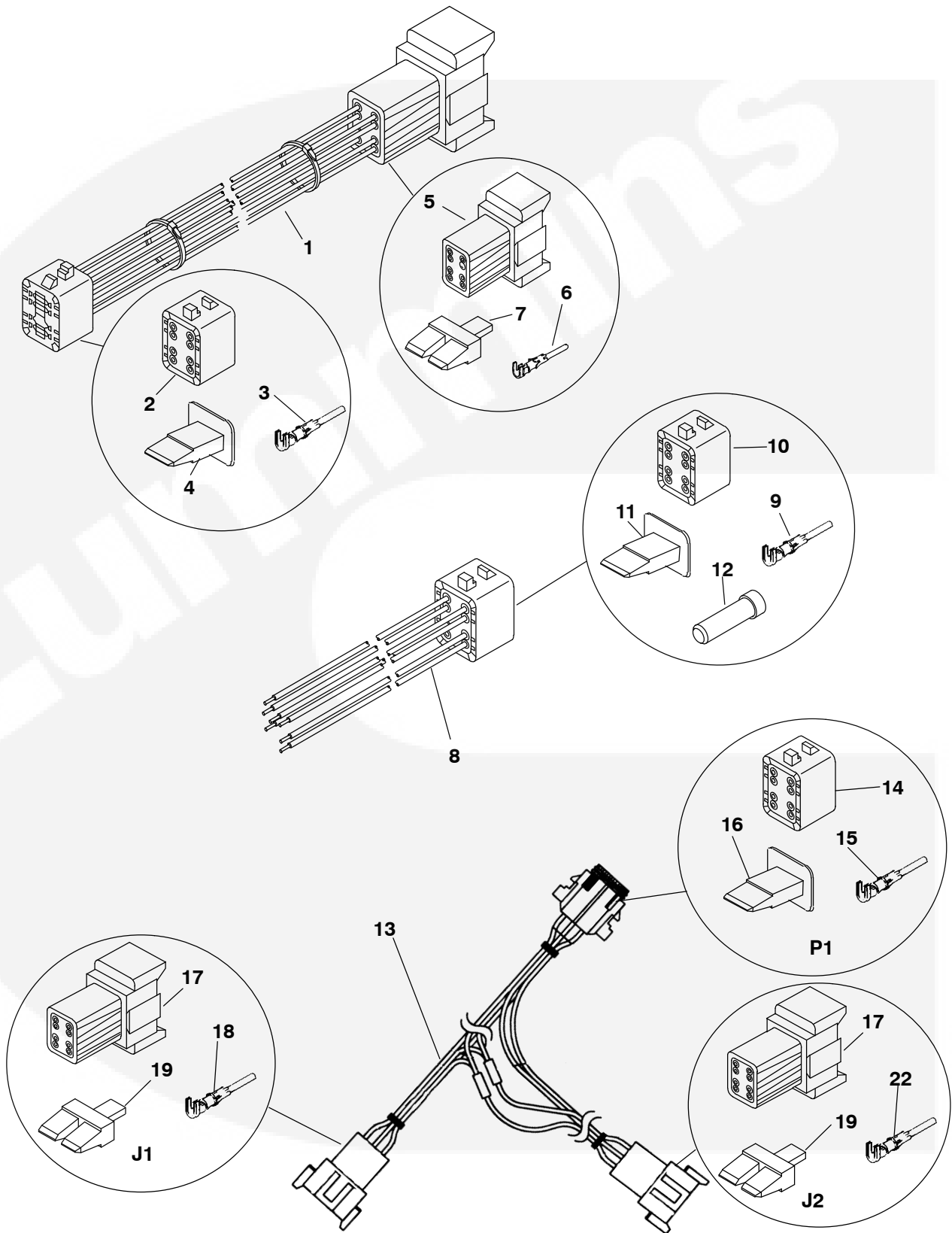
Remote Gauge Panel



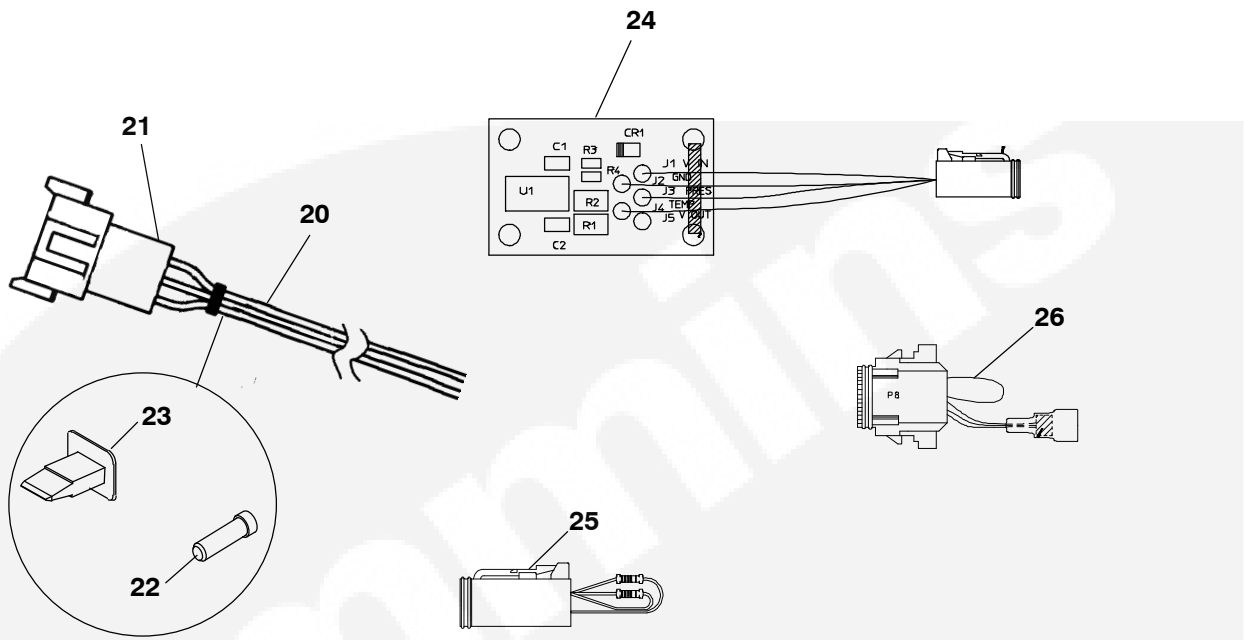
REF NO.	PART NO.	QTY. USED	PART DESCRIPTION	REF NO.	PART NO.	QTY. USED	PART DESCRIPTION
			Kit, Remote Gauge Panel Spec A	7	860-2025	6	Nut, Hex Head (M4 x .7)
				8	850-0114-51	6	Washer, Lock
	319-5835-01	1	12V	9	304-0835-03	1	Resistor (24V, 330 Ohms)
	319-5835-02	1	24V	10	304-0835-04	1	Resistor (24V, 620 Ohms)
			Begin Spec B	11	526-0409	6	Washer, Nylon
	541-1207-01	1	12V	12	338-3989	1	+ Harness, Remote Panel (Includes Parts Marked +)
1	A026J710	1	Panel, Remote	13	323-1543	1	+ Wedge, Plug (8 Pin)
2	302-2088	1	Gauge, Oil Pressure (M12) Spec A	14	323-1541	1	+ Plug (8 Pin) (P4)
	302-2088	1	Begin Spec B	15	323-1492	8	+ Pin, Contact
3			Switch, Rocker (SPDT) (S11)	16	808-0023	4	Screw, Pan Head Sheet Metal (#8 x .50")
	308-1101	1	12V Sets	17	308-1019	1	+ Connector, Switch (S11)
	308-1102	1	24V Sets	18	332-2890	6	+ Terminal. Connector
4			Gauge, Water Temperature Spec A				
	302-2087	1	Spec A				
	302-2087	1	Begin Spec B				
5	302-2048	1	Hourmeter				
6			Meter, Volt (M14)				
	302-2051-01	1	12V Sets (8-18V)				
	302-2051-02	1	24V Sets (18-34V)				

+ - Parts Included in Remote Panel Harness

Wiring Harnesses

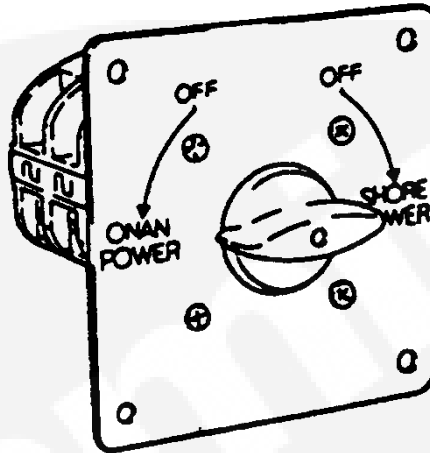


Wiring Harnesses



REF NO.	PART NO.	QTY. USED	PART DESCRIPTION	REF NO.	PART NO.	QTY. USED	PART DESCRIPTION
1			Harness, Remote Extension (Includes Parts Marked #)	15	323-1492	AR	±°Terminal, Socket
	338-3167	1	15 feet	16	323-1543	1	±°Wedge, Plug (8 Pin)
	338-3168	1	25 feet	17	323-1542	2	+ Connector, Receptacle (8 Pin)
	338-3169	1	45 feet	18	323-1491	AR	@ Terminal, Pin
	338-3169-01	1	75 feet	19	323-1544	2	+Wedge, Lock, Receptacle (8 Pin)
	338-3169-02	1	100 feet	20	338-4017	1	Harness, Pigtail (Includes Parts Marked @)
	338-3169-03	1	150 feet	21	323-1542	1	@ Connector, Receptacle (8 Pin)
2	323-1541	1	#Plug (8 Pin)	22	323-1491	AR	+ Terminal, Pin
3	323-1492	8	#Terminal, Socket	23	323-1544	2	@Wedge, Lock (8 Pin)
4	323-1543	1	#Wedge, Plug (8 Pin)	24	327-1268	1	PCB (Regulator)
5	323-1542	1	#Receptacle, (8 Pin)	25	323-2072	1	J13 Assy., Plug (Resistor)
6	323-1491	8	#Terminal, Pin	26	338-4006	1	Harness Assy, Plug
7	323-1544	1	#Wedge, Receptacle (8 Pin)				
8	338-3098	1	Harness, Pigtail (8") (Includes Parts Marked *)				
9	323-1492	7	*Terminal, Socket				# - Parts Included in Remote Extension Harness.
10	323-1541	1	*Plug (8 Pin)				* - Parts Included in Custom Pigtail Harness.
11	323-1543	1	*Wedge, Plug (8 Pin)				° - Parts Included in Adapter Harness.
12	323-1591	1	*Plug Connector				.+- Parts Included in Junction Harness.
13	338-4016	1	Harness, Junction (Includes Parts Marked +)				.@- Parts Included in Pigtail Harness.
14	323-1541	1	±°Plug, Connector (8 Pin)				

Manual Transfer Switch

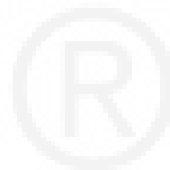


REF NO.	PART NO.	QTY. USED	PART DESCRIPTION
	308-0269	1	Switch, On Shore/Off Shore Rotary 120V (2 Wire)
	308-0270	1	120/240V (3 Wire)



Labels, Gasket Kits

REF NO.	PART NO.	QTY. USED	PART DESCRIPTION	REF NO.	PART NO.	QTY. USED	PART DESCRIPTION
98-2235-02		1	Label, Ground				Kit, Engine Gasket
98-4798-01		1	Label, Warning (Rotating Parts) (Unhoused Sets)				Includes All of The Following:
			Label, Warning (Hot Pressurized Coolant)	168-0226		1	MDKAV
				168-0227		1	MDKAW
98-5161		1	Label, Coolant (Housed Sets)	185-5641		4	Gasket, Delivery Valve
98-5338		1	Label, No Step	185-5643		4	Seal, O'Ring
98-5347		1	Label, Danger (High Voltage)	185-5478		1	Gasket, Oil Pan
98-5667		1	Unhoused Sets	185-2349		2	Gasket, Oil Fill Plug
98-5667		2	Housed Sets	185-6579		1	Gasket, Pump Cover
98-5755		1	Label, Warning (Hazardous Voltage)	185-6863		1	Gasket, Gearcase
				185-6498		2	Gasket, Valve Cover
98-6074-02		1	Label, Warning (Operation, Maintenance and Service)	185-5646		8	Seal, O'Ring
							Gasket, Cylinder Head
98-6995		2	Label, Warning (Exposed Belts) (Housed Sets)	185-7422		1	MDKAV
				185-6478		1	MDKAW
98-6996		1	Label, No Step (Housed Sets) (Housed Sets)	185-7304		1	MDKAZ
				185-6545		1	Seal, O'Ring
98-6997		1	Label, Lifting Eye (Housed Sets)	185-5661		2	Gasket
98-7783		1	Label, Warning	185-5663		1	Gasket
98-7850		2	Label (Onan e-QD)	185-6603		1	Gasket, Shaft Cover
98-7856		1	Label, Connection (Front) (Housed Sets)	185-5691		1	Seal, O'Ring
				185-2461		1	Seal, Oil
98-7857		1	Label, Connection (Rear)	185-6894		1	Gasket, Control Plate
98-8040		1	Label, Information (Reconnection)	185-2284		5	Gasket
				185-5337		4	Gasket, Nozzle Holder
100-3478-02			Kit, Cruise Includes All of The Following Items:	185-6511		1	Gasket, Bearing Case Cover
				185-6869		1	Gasket, Bearing Case
149-2106		2	Filter, Fuel	185-2291		4	Gasket
185-5835		2	Filter, Oil	509-0094		1	Seal, O'Ring
541-1519		2	Kit, Impeller	185-6580		1	Gasket, Fuel Pump
185-6934		1	Belt	185-6922		11	Gasket, Water Flange
130-4434		2	Pencil, Zinc	185-6004		1	Gasket, Thermostat
417-0223		1	Box, Cruise Kits	185-7299		1	Gasket, Water Pump
				185-6854		2	Gasket, Exhaust Manifold
				185-7300		8	Seal, Valve Stem
				185-6853		1	Gasket, Exhaust
				185-6701		1	Gasket, Intake Manifold
				185-2284		5	Seal, O'Ring
				185-5869		2	Seal, O'Ring
				185-3080		2	Seal, O'Ring
				185-2338		1	Seal, O'Ring
				185-2095		1	Seal, O'Ring
				185-3078		1	Seal, O'Ring
				185-6494		1	Seal, Oil
				185-5869		1	Seal, O'Ring
				185-5743		1	Seal, O'Ring
				185-6510		1	Seal, Oil



This Page Intentionally Left Blank.



Numerical Index

<u>Part No.</u>	<u>Page</u>	<u>Part No.</u>	<u>Page</u>	<u>Part No.</u>	<u>Page</u>	<u>Part No.</u>	<u>Page</u>
098-2235-02,	79	120-1332-02,	49	132-0459,	45 , 46	168-0226,	79
098-4798-01,	79	122-0932,	50	134-5384,	29	168-0227,	79
098-5161,	79	130-3571,	48	140-2898,	51	181-0238,	30
098-5338,	79	130-3572,	48	140-3078,	51	181-9000,	29 , 30 , 32
098-5347,	79	130-3574,	48	149-1908-05,	39 , 40	181-9025,	29 , 30
098-5667,	79	130-3721,	53	149-1914-01,	40	181-9044,	8
098-5755,	79	130-4434,	42 , 79	149-1949,	40	181-9067,	15
098-6074-02,	79	130-4739-03,	42	149-1952,	40	181-9091,	10
098-6995,	79	130-4740-02,	42	149-1953,	40	181-9100,	26
098-6996,	79	130-4830,	51	149-2045,	40	181-9101,	10
098-6997,	79	130-4847-03,	56	149-2046,	40	181-9102,	10
098-7781,	69	130-4869-03,	56	149-2047,	40	181-9108,	33
098-7783,	79	130-4870,	56	149-2100,	37	181-9109,	29 , 30
098-7845,	70	130-4945-03,	56	149-2106,	37 , 79	181-9110,	51
098-7850,	79	130-5169,	42	149-2312,	39	181-9113,	15
098-7856,	79	130-5170,	42	149-2313,	39	181-9119,	21
098-7857,	79	130-5176,	42	149-2331-01,	37	181-9120,	9
098-8040,	79	130-5387-01,	45	149-2601,	37	181-9121,	7
098-8081,	73	130-5448-01,	55	149-2612,	37	181-9122,	13
100-3478-02,	79	130-5448-02,	55	149-2618-04,	37	181-9123,	13
100-3615-01,	7	130-6547-03,	42	149-2654,	37	181-9126,	9
100-3615-02,	7	132-0360,	46	149-2655,	37	181-9128,	50
100-3620-01,	7	132-0361,	46	154-3020-S1,	53	181-9149,	16
100-3620-02,	7	132-0362,	46	154-3060-S0,	53	181-9189,	51
100-3810-02,	7	132-0363,	46	155-1002,	38	181-9219,	29 , 30
100-3944-01,	7	132-0364,	46	155-2029,	38	181-9220,	29 , 30
100-4101-02,	7	132-0365,	46	155-2030,	38	181-9222,	21
100-4102-01,	7	132-0366,	46	155-2033,	53	181-9223,	13
100-4102-02,	7	132-0367,	46	155-2666-01,	53	181-9224,	30
102-1485,	49	132-0368,	46	155-3146,	53	181-9225,	21
103-0858,	32 , 32	132-0369,	46	155-3147,	38	181-9230,	50
104-2118,	12	132-0370,	46	155-3216,	38	181-9238,	29
104-2120,	12	132-0371,	46	155-3217,	38	181-9240,	29 , 30
110-3827,	25 , 26	132-0372,	46	155-3233,	53	184-0071,	7 , 41
110-3965,	21	132-0373,	46	155-3240,	53	184-0072,	7
112-0303,	10	132-0374,	46	155-3256,	53	185-2072,	25
112-0319,	10	132-0375,	46	155-3257,	53	185-2076,	25 , 26
112-0328,	10	132-0376,	46	155-3261-02,	53	185-2080,	25 , 26
114-0430,	10	132-0377,	46	155-3522,	53	185-2095,	7 , 21 , 79
114-0450,	10	132-0380,	46	155-3523,	53	185-2096,	50

Numerical Index

<u>Part No.</u>	<u>Page</u>	<u>Part No.</u>	<u>Page</u>	<u>Part No.</u>	<u>Page</u>	<u>Part No.</u>	<u>Page</u>
185-2102,	7	185-5407,	28 , 32	185-5719,	33	185-6471,	7
185-2115,	7	185-5421,	22	185-5741,	32	185-6472,	7
185-2124,	32	185-5445,	34 , 35	185-5742,	32	185-6475,	21
185-2170,	11	185-5478,	50 , 79	185-5743,	32 , 79	185-6476,	21
185-2178,	11	185-5484,	7	185-5744,	32	185-6477,	21
185-2179,	25 , 26	185-5486,	7	185-5745,	33	185-6478,	21 , 79
185-2184,	25 , 26	185-5487,	7	185-5771,	36	185-6479,	21
185-2188,	7 , 21	185-5490,	7	185-5777,	36	185-6480,	32
185-2233,	7	185-5495,	49	185-5782,	36	185-6481,	32
185-2284,	7 , 15 , 22 , 79	185-5502,	21	185-5783,	36	185-6482,	32
		185-5558,	9	185-5784,	36	185-6483,	32
185-2291,	28 , 29 , 30 , 79	185-5560,	9	185-5798,	17	185-6484,	32
185-2338,	7 , 79	185-5612,	22	185-5820,	20	185-6485,	32
185-2345,	22	185-5615,	22	185-5826,	27 , 50	185-6486,	32
185-2349,	28 , 32 , 79	185-5623,	17	185-5833,	32	185-6487,	32
185-2359,	32	185-5624,	17	185-5835,	32 , 79	185-6490,	32
185-2380,	7	185-5625,	17	185-5843,	7	185-6491,	32
185-2384,	28	185-5639,	20	185-5845,	7	185-6492,	32
185-2385,	22	185-5640,	20	185-5862,	21	185-6493,	32
185-2386,	13 , 26 , 50	185-5641,	20 , 79	185-5869,	32 , 79	185-6494,	32 , 79
185-2387,	16	185-5643,	20 , 79	185-5924,	8	185-6497,	28
185-2388,	9 , 13 , 14 , 27 , 34 , 35	185-5644,	20	185-5938,	8	185-6498,	28 , 30 , 79
185-2389,	13 , 50 , 51	185-5645,	20	185-5941,	8	185-6499,	28 , 51
185-2390,	12	185-5646,	20 , 79	185-5942,	8	185-6500,	28
185-2391,	12	185-5647,	20	185-5943,	8	185-6501,	28
185-2411,	21	185-5649,	20	185-5959,	13 , 16	185-6503,	28
185-2412,	7	185-5650,	20	185-5960,	13 , 16	185-6507,	12
185-2413,	21	185-5652,	20	185-5985,	22	185-6509,	12
185-2461,	79	185-5653,	20	185-6004,	27 , 79	185-6510,	12 , 79
185-2563,	50	185-5654,	20	185-6005,	27	185-6511,	12 , 79
185-2564,	11 , 34 , 35	185-5655,	20	185-6039,	7	185-6513,	12
185-2572,	7 , 34 , 35	185-5658,	20	185-6040,	7	185-6514,	12
185-2578,	17	185-5659,	20	185-6103,	29 , 30	185-6515,	12
185-3041,	29 , 30	185-5661,	20 , 79	185-6121,	7	185-6516,	9
185-3078,	79	185-5662,	20	185-6163,	16	185-6517,	9
185-3080,	32 , 79	185-5663,	20 , 79	185-6394,	28 , 29 , 30	185-6518,	9
185-3093,	13	185-5684,	15	185-6409,	11	185-6519,	9
185-4255,	14 , 17 , 32	185-5685,	15	185-6445,	27	185-6520,	9
185-5337,	22 , 79	185-5691,	79	185-6468,	7	185-6521,	9
		185-5714,	33	185-6469,	7	185-6522,	9

Numerical Index

<u>Part No.</u>	<u>Page</u>	<u>Part No.</u>	<u>Page</u>	<u>Part No.</u>	<u>Page</u>	<u>Part No.</u>	<u>Page</u>
185-6523,	9	185-6571,	13	185-6682,	25 , 26	185-6857,	7
185-6524,	9	185-6572,	13	185-6683,	25 , 26	185-6863,	32 , 79
185-6525,	9	185-6573,	13	185-6685,	25	185-6864,	32
185-6526,	9	185-6574,	15	185-6686,	25	185-6865,	32
185-6529,	10	185-6575,	15	185-6687,	25 , 26	185-6867,	28
185-6530,	10	185-6577,	15	185-6688,	25 , 26	185-6868,	28 , 29
185-6531,	10	185-6579,	45 , 79	185-6689,	25 , 26	185-6869,	12 , 79
185-6532,	10	185-6580,	17 , 79	185-6690,	25	185-6873,	9
185-6533,	10	185-6584,	17	185-6691,	25 , 26	185-6875,	13
185-6536,	10	185-6585,	17	185-6692,	25	185-6876,	13
185-6537,	10	185-6586,	17	185-6693,	25 , 26	185-6877,	13
185-6538,	10	185-6588,	20	185-6694,	25 , 26	185-6878,	13
185-6540,	8	185-6589,	20	185-6695,	25 , 26	185-6879,	13
185-6541,	8	185-6593,	16	185-6699,	53	185-6880,	13
185-6542,	8	185-6598,	16	185-6700,	51	185-6882,	17 , 20
185-6543,	8	185-6599,	16	185-6701,	51 , 79	185-6884,	20
185-6544,	8	185-6600,	16	185-6707,	20	185-6885,	20
185-6545,	8 , 79	185-6601,	16	185-6721,	28	185-6886,	20
185-6546,	8	185-6602,	16	185-6739,	17	185-6887,	20
185-6547,	8	185-6603,	16 , 79	185-6740,	22 , 24	185-6888,	20
185-6548,	8	185-6604,	16	185-6741,	13	185-6891,	16
185-6549,	8	185-6605,	16	185-6742,	17	185-6894,	14 , 79
185-6550,	8	185-6612,	14	185-6743,	17	185-6899,	22
185-6551,	8	185-6614,	14	185-6745,	10	185-6900,	24
185-6552,	8	185-6615,	14	185-6746,	10	185-6901,	24
185-6553,	8	185-6621,	22	185-6747,	21	185-6902,	24
185-6554,	8	185-6624,	22	185-6748,	17 , 20	185-6903,	24
185-6556,	8	185-6629,	35	185-6749,	17	185-6904,	24
185-6558,	13	185-6630,	35	185-6750,	22	185-6905,	24
185-6560,	13	185-6631,	34 , 35	185-6751,	22	185-6906,	24
185-6561,	13	185-6633,	34 , 35	185-6759,	14 , 17 , 32	185-6907,	24
185-6562,	13	185-6665,	27 , 32	185-6781,	27	185-6908,	24
185-6563,	13	185-6666,	27	185-6785,	34 , 35	185-6909,	24
185-6564,	13	185-6667,	27	185-6786,	34 , 35	185-6910,	24
185-6565,	13	185-6671,	33	185-6816,	36	185-6911,	24
185-6566,	13	185-6672,	33	185-6820,	36	185-6912,	24
185-6567,	13	185-6673,	33	185-6845,	17	185-6913,	24
185-6568,	13	185-6674,	33	185-6853,	53 , 79	185-6914,	24
185-6569,	13	185-6677,	33 , 51	185-6854,	53 , 79	185-6915,	24
185-6570,	13	185-6681,	25 , 26	185-6856,	7	185-6916,	24

Numerical Index

<u>Part No.</u>	<u>Page</u>	<u>Part No.</u>	<u>Page</u>	<u>Part No.</u>	<u>Page</u>	<u>Part No.</u>	<u>Page</u>
185-6917,	24	185-7254,	16	185-7432,	16	304-0835-04,	75
185-6918,	24	185-7255,	16	185-7434,	14 , 32	306-5006-01,	41
185-6922,	27 , 79	185-7256,	14	185-7439,	26	306-5006-02,	41
185-6923,	25	185-7265,	22	185-7441,	26	307-1617,	54
185-6925,	53	185-7266,	22	191-2275-02,	11	307-2656,	54
185-6926,	51	185-7268,	22	193-0244-99,	49	307-2767,	68
185-6927,	51	185-7269,	34	193-0318,	27	307-2819,	68
185-6930,	15	185-7270,	34	193-0430-01,	49	308-0269,	78
185-6931,	15	185-7271,	34	193-0457-01,	27	308-0270,	78
185-6932,	15	185-7272,	34	193-0468,	53	308-1019,	71 , 72 , 73 , 74 , 75
185-6933,	34 , 35	185-7273,	34 , 35	201-3515-02,	63	308-1101,	69 , 72 , 73 , 74 , 75
185-6934,	34 , 35 , 79	185-7297,	27	201-3565-01,	63	308-1102,	69 , 72 , 73 , 74 , 75
185-6956,	11	185-7298,	27	201-3565-03,	63		
185-7004,	22	185-7299,	33 , 79	205-0255,	63		
185-7069,	32 , 51	185-7300,	25 , 26 , 79	211-0435-01,	63	309-0295-01,	53
185-7082,	22	185-7302,	7	220-4413-02,	63	309-0667,	45
185-7104,	11	185-7303,	21	220-4600-01,	63	319-4368-06,	69
185-7105,	11	185-7304,	21 , 79	220-4600-03,	63	319-4370-03,	67
185-7106,	22	185-7305,	12	232-2826,	63	319-4404,	67
185-7110,	53 , 53	185-7306,	12	234-0989-S0,	63	319-4467-01,	70
185-7212,	7 , 45	185-7307,	12	300-4686-01,	53	319-4467-02,	69
185-7213,	50	185-7308,	10	300-5040,	27	319-5503-03,	67
185-7214,	50	185-7309,	10	300-5041,	27	319-5835-01,	75
185-7217,	11	185-7310,	10	300-5476-01,	68	319-5835-02,	75
185-7218,	11	185-7311,	10	300-5476-02,	68	319-6990,	72
185-7219,	11	185-7312,	8	300-5725-01,	72	320-1140,	69
185-7221,	11	185-7313,	15	300-5725-02,	72	320-1689-04,	67
185-7223,	7	185-7372,	7	300-5726-01,	74	320-1689-05,	67
185-7225,	35 , 36	185-7374,	21	300-5726-02,	74	320-1689-06,	67
185-7226,	35	185-7376,	8	300-5727-01,	73	320-1689-07,	67
185-7228,	36	185-7377,	16	300-5727-02,	73	320-1689-08,	67
185-7229,	36	185-7378,	16	302-2048,	69 , 73 , 75	320-1689-09,	67
185-7245,	7	185-7395,	26	302-2051-01,	70 , 74 , 75	320-1689-10,	67
185-7246,	50	185-7417,	7	302-2051-02,	70 , 74 , 75	320-1689-12,	67
185-7247,	50	185-7420,	7			320-1689-16,	67
185-7249,	8	185-7421,	50	302-2087,	70 , 75	320-1689-18,	67
185-7250,	11	185-7422,	21 , 79	302-2088,	70 , 75	320-1836-03,	67
185-7251,	20	185-7423,	32	304-0796,	37	320-1836-04,	67 , 67
185-7252,	16	185-7426,	29 , 30	304-0831-03,	37	320-1836-05,	67
185-7253,	16	185-7429,	8	304-0835-03,	70 , 75	320-1836-06,	67

Numerical Index

<u>Part No.</u>	<u>Page</u>	<u>Part No.</u>	<u>Page</u>	<u>Part No.</u>	<u>Page</u>	<u>Part No.</u>	<u>Page</u>
320-1836-07,	67	332-2890,	72 , 73 , 74 , 75	405-6340,	60	501-0710,	37
320-1836-08,	67	332-3408,	58	405-6491-03,	57	501-0712-01,	45
320-1862-01,	69	332-3750,	67	405-6492-03,	58	501-0712-02,	45
320-1891-01,	67	332-3771,	58	405-6513-03,	62	502-0003,	37
320-1891-03,	67	333-0662-02,	54	405-6515-03,	62	502-0020-01,	37
320-1891-05,	67	333-0719,	7	405-6516-02,	55	502-0029,	37
320-1891-06,	67	333-0732-02,	54	405-6517-03,	59	502-0029-06,	53
320-1891-09,	67	337-0081,	51	405-6518-02,	55	502-0041,	37
323-1491,	77	337-2795,	67	405-6519-03,	61	502-0054,	39
323-1492,	70 , 72 , 73 , 74 , 75 , 77	337-3466-01,	54	405-6520-03,	57	502-0055,	37
323-1494,	71	337-3507,	51	405-6522-03,	65	502-0065,	37
323-1502,	71	337-3508,	67	405-6523-03,	62	502-0153,	39 , 40 , 53
323-1541,	73 , 74 , 75 , 77	338-3098,	77	405-6524-03,	60	502-0263,	49
323-1542,	71 , 77	338-3167,	77	405-6682,	57	502-0820,	53
323-1543,	72 , 73 , 74 , 75 , 77	338-3168,	77	405-6683,	58	502-1123,	49
323-1544,	71 , 77	338-3169,	77	405-6684,	57	502-1162,	37
323-1546,	70	338-3169-01,	77	405-6685,	57	502-1180,	49
323-1547,	71	338-3169-02,	77	405-6686,	57	502-1218,	37
323-1548,	70	338-3169-03,	77	405-6687,	61	502-1245,	37
323-1549,	71	338-3577-01,	58	405-6688,	60	502-1354,	45
323-1563,	68 , 71	338-3989,	75	405-6689,	57	502-1425-02,	47
323-1582-05,	71	338-3990,	73 , 74	405-6700,	62	502-1463,	47
323-1582-07,	71	338-4005,	69 , 71	405-6709,	60	503-0976,	28
323-1583,	71	338-4006,	77	405-6797,	61	503-0977,	47
323-1591,	71 , 72 , 73 , 74 , 77	338-4010,	70	405-6811,	62	503-1136,	45
323-1708,	71	338-4016,	77	405-6957,	61	503-1137,	45 , 53
323-1765,	71	338-4017,	77	405-6958,	62	503-1138,	51
323-1791,	71	338-4159,	54	405-6959,	60	503-1139,	38
323-1792,	71	338-4200-02,	54	405-6961-01,	62	503-1141,	51
323-2072,	77	338-4213,	68	405-6961-02,	62	503-1142,	38 , 53
327-1268,	77	350-1238,	37	405-7429-03,	57	503-1353,	53
327-1533,	65	402-0681-01,	57	405-7430,	57	503-1527,	53
332-0142,	58	402-0728-00,	55	406-0958,	61	503-1692,	48
332-1554,	58	402-0728-02,	55	406-1032,	62	503-1963,	53
332-2112,	58	403-4168-04,	55	417-0223,	79	503-2046,	53
332-2112-01,	58	403-4284-02,	21	501-0578,	39	503-2070,	28
332-2370,	67	403-7108-03,	55	501-0624,	49	503-2087,	28
		403-7108-04,	55	501-0672-01,	37	503-2089-02,	45
		405-4445-03,	62	501-0672-04,	37	503-2195,	45
				501-0709,	37	503-2196,	45

Numerical Index

<u>Part No.</u>	<u>Page</u>	<u>Part No.</u>	<u>Page</u>	<u>Part No.</u>	<u>Page</u>	<u>Part No.</u>	<u>Page</u>
503-2197, 45		526-0003, 53		800-0317, 42		850-0114-54, 37 , 45 , 53	
503-2202-01, 51		526-0030, 55		800-0573, 55		850-0114-55, 37	
503-2207, 45		526-0052, 58 , 67		800-2515, 39 , 53		850-2008, 39	
503-2230, 45		526-0054, 58		800-3004, 37 , 54 , 55		850-2056, 62	
503-2249, 53		526-0063, 41		800-3017-02, 56		850-2058, 67	
503-2309, 47		526-0325, 55		800-3017-18, 21 , 67		853-0013, 63	
503-2728-01, 47		526-0399-11, 63		800-3017-19, 37 , 45		853-0016, 54 , 67	
504-0223, 47		526-0399-13, 67		800-3017-22, 45		853-2006, 58 , 62 , 65	
505-0395, 49		526-0399-41, 63		800-3042, 51		853-2010, 54	
505-1485, 37		526-0399-42, 63		800-6033, 62 , 65		856-0002, 51	
505-1489, 37		526-0399-58, 54		800-6062, 67		856-0003, 37 , 51 , 69 , 70	
505-1490, 37		526-0399-60, 21		800-6368, 33		856-0006, 51 , 58 , 67	
505-2252, 32		526-0399-62, 55		800-6505, 50		856-0008, 67	
506-0033, 16		526-0406, 37		800-6548, 7		856-0012, 39	
508-0021, 62		526-0409, 70 , 74 , 75		808-0023, 75		860-2025, 70 , 74 , 75	
508-0115, 53 , 58		526-1002, 69		810-0155, 51 , 58 , 67		860-2036, 58	
508-0183, 63		526-2050, 51 , 65		813-0112, 37		860-2057, 62	
508-0210, 42		526-2081, 58		815-0181, 63		860-2075, 15	
508-1102, 47 , 58		526-2083, 58		815-0194, 11		862-0015, 58	
508-1105, 67		526-2100, 39		815-0550-01, 67		862-0026-30, 54	
508-1105-01, 67		526-2120, 54		815-0862, 53		862-0026-54, 42 , 54 , 55	
508-1126, 59		526-2291, 51		815-0910, 72 , 73 , 74			
508-1152, 57		541-0583, 68		815-0916, 53			
509-0094, 63 , 79		541-0584, 68		815-0917-04, 63		862-0026-55, 37 , 45	
509-0351, 42		541-0588, 60		815-0935, 63		862-0041, 63	
509-0428, 50		541-0590, 56		818-0231-01, 55 , 57 , 62		870-0131, 54 , 63 , 69 , 70	
509-0440, 33		541-0823, 54		818-0239-03, 60		870-0550-09, 55	
510-0112, 63		541-0824, 54		818-1150-03, 68		870-2228, 67	
510-0163, 13		541-0863-01, 47		821-0008, 67		871-0016, 51 , 58 , 67	
510-0225, 33		541-0941, 72		821-0009, 67		895-0381, 59	
517-0136, 67		541-0941-01, 72		821-6001-03, 51 , 68		895-0395, 61	
517-0138-04, 62		541-1206-02, 70		821-6002-02, 37 , 42 , 51 , 56		98-8092, 72	
517-0138-07, 62		541-1207-01, 75		821-6003-01, 55		A026J710, 75	
517-0138-09, 62		541-1519, 46 , 79		821-6006-01, 55 , 57 , 58 , 59 , 60 , 62 , 65 , 67			
517-0440, 7		718-1055, 39		850-0114-51, 70 , 74 , 75			
518-0515, 37		725-1027, 41					
518-0548-05, 45		750-1004, 58		850-0114-53, 42 , 54 , 55 , 56			
518-0548-42, 55		800-0026, 54					
520-1002-06, 63		800-0309-10, 69					
520-1004-02, 63		800-0310-01, 67					

Cummins Onan

Cummins Power Generation

1400 73rd Ave. NE
Minneapolis, MN 55432 USA

Phone 1 763 574 5000

Toll-free 1 800 888 6626

Fax 1 763 574 5298

Email www.cumminsonan.com/contact

www.cumminsonan.com

Cummins[®], Onan[®], the "C" logo, and "Performance you rely on." are trademarks of Cummins Inc.

©2014 Cummins Power Generation, Inc. All rights reserved.

