

Cummins **Onan**



# Parts Manual

## Marine Generator Set

MDKAU (Spec A-C)

## MODEL IDENTIFICATION

To avoid errors or delay in filling your parts order, always give the MODEL, SPEC NO. and SERIAL NO. from the Onan nameplate.

For handy reference, insert your nameplate information in the spaces below.

MODEL AND SPEC NO.

SERIAL NO.

DIGITAL CONTROL SOFTWARE VERSION  
AND DATE (IF APPLICABLE)

## SAFETY PRECAUTIONS

The following symbols are used in Onan manuals to alert users to the potentially dangerous conditions relating to maintenance of equipment and replacement of parts. Please read and observe.



*This symbol warns of immediate hazards which will result in severe personal injury or death.*



*This symbol refers to a hazard or unsafe practice which can result in severe personal injury or death.*



*This symbol refers to a hazard or unsafe practice which can result in severe personal injury or product or property damage.*

## PRODUCT SAFETY PRECAUTIONS



***Service and repair of Onan equipment must be performed by trained, experienced personnel only. Improper service or repair may result in property damage, severe personal injury or death. Do not use this catalog as a guide to servicing your equipment. Read and follow the IMPORTANT SAFETY INSTRUCTIONS in the Service Manual appropriate for the equipment you are working on.***



***Contact with USED ENGINE OILS has been identified by a United States federal agency and some USA state agencies as causing CANCER or REPRODUCTIVE TOXICITY. When checking or changing engine oils take all necessary precautions not to ingest, breathe the fumes or contact the used oil.***



***Contact with ASBESTOS has been identified by a United States federal agency and some USA state agencies as causing CANCER or REPRODUCTIVE TOXICITY. When handling engine gaskets take all necessary precautions not to ingest, breathe or contact the dust from the gaskets! Use adequate ventilation and wear protective gloves, masks and clothing!***



***Contact with BENZINE and LEAD, found in gasoline, fuel additives and solvents has been identified by a United States federal agency and some USA state agencies as causing CANCER or REPRODUCTIVE TOXICITY. When checking, draining or adding gasoline and fuel additives or using solvents take all necessary precautions not to ingest, breathe the fumes or contact the liquids. Use adequate ventilation and wear protective gloves, masks and protective clothing!***

## Introduction

This parts catalog applies to the standard generator set listed below. Parts are arranged in groups of related items and each illustrated part is defined by a reference number corresponding to the same reference number in the parts list. Parts illustrations are typical. Using the model and specification number from your generator set nameplate, select parts that apply to your set. Unless otherwise mentioned in the description or page heading, parts are interchangeable between models. Throughout this catalog right and left sides are determined by facing the engine end (front ) of the set.

<u>MODEL</u>	<u>HERTZ</u>
4MDKAU	50
5MDKAU	60

\* – The diagonal line (/) or dash (-) in the model and specification number separates generator set characteristics from the specification number and letter. The specification number denotes customer requested options or deviations from a standard model. The specification letter advances (A to B, B to C, etc.) with major manufacturing changes.

### WIRING DIAGRAM

612-6752



“Blank Page”



# Index

## A

Adapter, Engine, **19**  
Adapter, Intake Resonator, **37**  
Adapter, Oil Drain, **48**  
Adapter, Pressure Sender Pipe, **8**  
Apparatus, Idle, **15**  
Arm, Rocker, **24 , 25**  
Arm, Rocker (Begin Spec C), **25**  
Arm, Rocker (Spec A), **24**  
Assy, Rotor, **69**  
Assy, Stator Wound, **69**

## B

Ball, Crankshaft, **9**  
Ball, Governor Gear, **12**  
Ball, Starter Steel, **21**  
Ball, Valve Seat, **30**  
Bearing, Coolant Water Pump, **39**  
Bearing, Crankshaft, **9**  
Bearing, Drive Pulley, **19**  
Bearing, Fuel Camshaft Ball, **12**  
Bearing, Generator Ball, **68**  
Bearing, Governor Carrier Ball, **31**  
Bearing, Starter Ball, **21**  
Belt, Drive, **19**  
Belt, Raw Water Pump, **41**  
Block, Brush, **68 , 69**  
Block, Cylinder, **8**  
Block, Terminal, **49**  
Boot, Rocker Switch, **71**  
Box, Control, **64 , 65**  
Bracket, Engine Generator, **52 , 53**  
Bracket, Engine Mount, **52 , 53**  
Bracket, Lifting, **19**  
Bracket, Raw Water Pump Mounting, **41**  
Bracket, Remote Fuel/Water Separator Mounting, **33**  
Bracket, Rocker Arm, **24 , 25**  
Breaker, Circuit, **71**  
Brush, Block, **68**  
Bush, Idle Gear, **10**  
Bush, Piston Pin, **9**  
Bushing, Remote Fuel/Water Separator Pipe, **33**

## C

Camshaft, **10**  
Camshaft, Fuel, **12**  
Cap, Coolant Recovery Tank, **46**  
Cap, Cylinder Block, **8**  
Cap, Cylinder Head, **23**  
Cap, Elbow Joint, **28**  
Cap, Exhaust, **57**  
Cap, Idle Apparatus, **15**  
Cap, Tube, **45**

Cap, Valve, **24 , 25**  
Carrier, Governor, **31**  
Case, Governor Ball, **12**  
Case, Main Bearing, **11**  
Circlip, Fuel Camshaft, **12**  
Circlip, Piston Pin, **9**  
Clamp, Hose, **29 , 37**  
Clamp, Loop, **69**  
Clip, Drip Pan Holddown, **52**  
Clutch, Starter, **21**  
Collar, Crankshaft, **9**  
Collar, Idle Gear, **10**  
Collar, Speed Control, **13**  
Collet, Valve Spring, **24 , 25**  
Comp. Valve Breather, **29**  
Components, Coolant Water Pump, **39**  
Components, Injection Pump, **17**  
Components, Nozzle Holder, **27**  
Components, Remote Fuel/Water Separator, **35**  
Components, Starter, **21**  
Connector, Fuel Hose, **33**  
Connector, Hose, **45**  
Connector, Raw Water Hose, **41**  
Control, **71**  
Cord, Glow Plug, **26**  
Coupling, Flywheel, **19**  
Coupling, Fuel Elbow Anchor, **33**  
Coupling, Raw Water Hose Union, **41**  
Cover, Breather, **29**  
Cover, Control Box, **61 , 63**  
Cover, Control Panel Access, **61 , 63**  
Cover, Cylinder Block Hole, **8**  
Cover, Cylinder Head, **28 , 29**  
Cover, Cylinder Head (Begin Spec C), **29**  
Cover, Cylinder Head (Spec A), **28**  
Cover, Enclosure, **61 , 63 , 64 , 65**  
Cover, Fuel Camshaft, **12**  
Cover, Governor, **31**  
Cover, Heat Exchanger End, **43**  
Cover, Main Bearing Case, **11**  
Cover, Oil Fill, **28**  
Cover, Side Panel Access, **66**  
Cover, Thermostat, **38**  
Cover, Top Enclosure, **61 , 63**  
Crankshaft, **9**

## D

Drain, Remote Water Separator, **35**  
Duct, Air, **61 , 63**  
Duct, Exhaust, **66**  
Duct, Intake, **19**

## E

Elbow, 90 Degree Coolant Drain, **8**

## Index

Elbow, Exhaust, **57**  
Elbow, Fuel Hose Female, **33**  
Elbow, Fuel Pump Pipe, **33**  
Elbow, Pressure Sender Pipe, **8**  
Elbow, Raw Water Pump, **41**  
Elbow, Remote Fuel/Water Separator Street, **33**  
Elbow, Vacuum Relief Valve, **44**  
Element, Breather, **28**  
Element, Remote Water Separator, **35**  
Enclosure, **60 , 62**  
Endbell, **68 , 69**  
Engine, Replacement, **8**  
Exchanger, Heat, **43**

## F

Fan, Generator, **68 , 69**  
Filter, Fuel, **33**  
Filter, Oil, **30 , 48**  
Flange, Coolant Water Pump, **39**  
Flange, Injection Pump Sleeve, **17**  
Flange, Water, **38**  
Flywheel, **19**

## G

Gasket, **16**  
Gasket, Air Bleeder Screw, **26**  
Gasket, Bearing Plate, **11**  
Gasket, Coolant Water Pump, **39**  
Gasket, Cylinder Block Hole Cover, **8**  
Gasket, Cylinder Block Plug, **8**  
Gasket, Cylinder Head, **23**  
Gasket, Cylinder Head Cover, **28**  
Gasket, Cylinder Head Nut, **28**  
Gasket, Delivery Valve, **17**  
Gasket, Exhaust, **57**  
Gasket, Gearcase, **30**  
Gasket, Heat Exchanger, **43**  
Gasket, Heat Exchanger End Cover, **43**  
Gasket, Idle Apparatus, **15**  
Gasket, Injection Pump, **17**  
Gasket, Injector Nozzle, **26**  
Gasket, Inlet Manifold, **55**  
Gasket, Main Bearing Case, **11**  
Gasket, Oil Pan, **48**  
Gasket, Oil Pump, **8**  
Gasket, Rocker Cover, **29**  
Gasket, Speed Control Plate, **13**  
Gasket, Thermostat, **38**  
Gasket, Water Flange, **38**  
Gear, Cam, **10**  
Gear, Crankshaft, **9**  
Gear, Idle, **10**  
Gear, Injection Pump, **12**

Gear, Oil Pump Drive, **8**  
Gearcase, **30**  
Generator, **68 , 69**  
Governor, **31**  
Grommet, **45 , 69**  
Grommet, Air Duct, **61 , 63**  
Grommet, Control Box, **64 , 65**  
Grommet, Control Panel, **71**  
Grommet, Enclosure, **66**  
Grommet, Generator Stator, **68**  
Grommet, Vacuum Relief Valve, **44**  
Guide, Valve, **23**

## H

Hanger, Coolant Recovery Tank, **46**  
Harness Location, Engine, **73**  
Harness Location, Extension (Or Pigtail), **73**  
Harness Location, Remote Panel, **73**  
Harness, Battery, **49**  
Harness, Control, **72**  
Harness, Customer Interface Pigtail, **75**  
Harness, Extension, **75**  
Harness, Genset, **71**  
Harness, Junction, **75**  
Harness, Remote Panel (W/Hour Meter), **77**  
Harness, Remote Panel (W/Switch), **76**  
Harness, Remote Panel (W/Volt Meter), **78**  
Head, Cylinder, **23**  
Head, Water Separator Replacement, **35**  
Heatsink, **71**  
Holder, Delivery Valve, **17**  
Holder, Nozzle, **26**  
Holder, Starter Brush, **21**  
Hook, Engine, **23**  
Hose, Breather, **36**  
Hose, Coolant, **43**  
Hose, Coolant Recovery, **46**  
Hose, Exhaust, **57**  
Hose, Fuel, **33**  
Hose, Intake, **36 , 37**  
Hose, Raw Water Pump Coolant, **41**  
Hose, Vacuum Relief Coolant, **44**  
Hourmeter, **71**  
Hub, Flywheel Flex Coupling, **19**

## I

Impeller, Coolant Water Pump, **39**  
Impeller, Raw Water Pump, **41**  
Indicator, Oil, **47**  
Insulation, Air Duct, **61 , 63**  
Insulation, Cover, **61 , 63**  
Insulation, Housing, **61 , 63 , 64 , 65 , 66**  
Insulation, Side Panel, **61 , 63**

## Index

Insulation, Top Cover, **61** , **63**  
Isolator, Vibration, **52** , **53**

### J

Joint, Breather Hose Elbow, **28**  
Joint, Injection Pump Eye, **16**  
Joint, Oil Filter Pipe, **30**

### K

Key, Camshaft Feather, **10**  
Key, Crankshaft Feather, **9**  
Key, Fuel Camshaft Feather, **12**  
Key, Oil Pump Feather, **8**  
Kit, Break Siphon, **45**  
Kit, Coolant Recovery, **46**  
Kit, Cruise, **79**  
Kit, Exhaust, **57**  
Kit, Fuel Adapter, **33**  
Kit, Fuel Filter, **79**  
Kit, Gasket, **79**  
Kit, Heat Exchanger Cap, **43**  
Kit, Isolated Ground, **50**  
Kit, Muffler, **58** , **59**  
Kit, Muffler/Water Separator, **58**  
Kit, Nozzle Holder, **26**  
Kit, Raw Water Pump Service, **41**  
Kit, Remote Control Panel (W/Hour Meter), **77**  
Kit, Remote Control Panel (W/Switch), **76**  
Kit, Remote Control Panel (W/Volt Meter), **78**  
Kit, Remote Fuel/Water Separator, **33**  
Kit, Remote Fuel/Water Separator O'Ring, **35**  
Kit, Remote Switch Harness, **79**  
Kit, Remote Water Separator Metal Bowl Replacement, **35**  
Kit, Resonator, **59**  
Kit, Siphon Break, **44** , **45**  
Kit, Water Separator, **58**

### L

Label, Onan E-QD, **79**  
Label, Remote Panel (Genset Operation), **78**  
Label, Remote Panel (W/ Volt Meter) (Start/Preheat), **78**  
Label, Remote Panel (W/Hour Meter) (Start/Preheat), **77**  
Label, Remote Panel (W/Switch) (Start/Preheat), **76**  
Labels, **79** , **80**  
Latch, Cover, **61** , **63**  
Latch, Enclosure, **66**  
Lever, Engine Stop, **13** , **15**  
Lever, Fork, **14**  
Lever, Governor, **13**  
Lever, Speed Control, **13**  
Line, Fuel, **26**  
Location, Harness, **73**

### M

Manifold, Exhaust, **57**  
Manifold, Inlet, **55**  
Meter, Hour, **77**  
Meter, Volt, **78**  
Mixer, Exhaust, **57**  
Muffler, **57** , **58** , **59**

### N

Nozzle, Injection, **27**

### O

O'Ring, **29**  
O'Ring, Crankshaft, **9**  
O'Ring, Cylinder Block, **8**  
O'Ring, Cylinder Head, **23**  
O'Ring, Gearcase, **30**  
O'Ring, Generator Pulley, **19**  
O'Ring, Generator Rotor, **68** , **69**  
O'Ring, Heat Exchanger Cover, **43**  
O'Ring, Injection Pump, **17**  
O'Ring, Oil Fill Cover, **28**  
O'Ring, Oil Pickup, **48**  
O'Ring, Raw Water Pump, **41**  
O'Ring, Speed Control, **13**  
O'Ring, Starter, **21**

### P

Pad, Heatsink, **71**  
Pan, Drip, **52** , **53**  
Pan, Drip (Begin Spec B), **53**  
Pan, Drip (Spec A), **52**  
Pan, Oil, **48**  
Panel, Control, **64** , **65**  
Panel, Exhaust, **66**  
Panel, Remote (W/Hour Meter), **77**  
Panel, Remote (W/Switch), **76**  
Panel, Remote (W/Volt Meter), **78**  
Panel, Service, **66**  
Panel, Side, **61** , **63**  
Pin, Cylinder Block Pipe, **8**  
Pin, Cylinder Block Straight, **8**  
Pin, Fork Lever Spring, **14**  
Pin, Injection Pump, **17**  
Pin, Main Bearing Case, **11**  
Pin, Piston, **9**  
Pin, Rocker Arm Spring, **24** , **25**  
Pin, Speed Control Spring, **13**  
Pin, Start Spring, **30**  
Pinion, Starter, **21**

## Index

Pipe, Breather, **55**  
Pipe, Coolant Water Return, **39**  
Pipe, Overflow, **26**  
Pipe, Water Return, **29 , 38**  
Piston, **9**  
Plate, Breather, **28**  
Plate, Control Box, **71**  
Plate, Injection Pump, **17**  
Plate, Speed Control, **13**  
Plug, Control Panel Hole, **71**  
Plug, Cylinder Block, **8**  
Plug, Cylinder Head, **23**  
Plug, Expansion, **23**  
Plug, Fuel Filter, **33**  
Plug, Gearcase, **30**  
Plug, Glow, **26**  
Plug, Oil Filler, **29**  
Plug, Oil Gauge, **48**  
Plug, Oil Pan, **48**  
Plug, Water Flange, **38**  
Plunger, Injection Pump, **17**  
Pulley, Drive, **19**  
Pulley, Fan, **42**  
Pulley, Generator, **19**  
Pump, Coolant Water, **39**  
Pump, Fuel, **32 , 33**  
Pump, Injection, **16**  
Pump, Oil, **8**  
Pump, Raw Water, **40 , 41**  
Pump, Water Separator, **35**

## R

Rack, Injection Pump Control, **17**  
Regulator, Battery Charger, **71**  
Relay, **71**  
Relay (Isolated Ground), **50**  
Resonator, **36 , 37 , 59**  
Resonator (Begin Spec C), **37**  
Resonator (Spec A), **36**  
Resonator, Intake, **36**  
Retainer, Brush Seal, **61 , 63**  
Retainer, Starter, **21**  
Retainer, Valve Spring, **24 , 25**  
Ring, Collector, **68**  
Ring, Governor Rotor Retaining, **31**  
Ring, Idle Gear Snap, **10**  
Ring, Piston, **9**  
Rod, Connecting, **9**  
Rod, Nozzle Holder Push, **27**  
Rod, Push, **10**  
Roller, Starter Clutch, **21**  
Rotor, Generator, **68**  
Rotor, Governor, **31**

## S

Seal, Brush, **61 , 63**  
Seal, Coolant Water Pump Mechanical, **39**  
Seal, Cover, **61 , 63**  
Seal, Enclosure, **52 , 53 , 66**  
Seal, Fuel Pump, **33**  
Seal, Gearcase Oil, **30**  
Seal, Main Bearing Case Oil, **11**  
Seal, Speed Control Oil, **13**  
Seal, Valve Stem, **24 , 25**  
Seat, Injection Pump Spring, **17**  
Seat, Valve, **30**  
Sender, Oil Pressure, **8**  
Sender, Water Temperature, **23**  
Separator, Remote Fuel/Water, **33**  
Separator, Water, **58**  
Shaft, Fork Lever, **14**  
Shaft, Governor Lever, **13**  
Shaft, Idle Gear, **10**  
Shaft, Rocker Arm, **24 , 25**  
Shield, Breather, **29**  
Shield, Breather Oil, **28**  
Shim, Injection Pump, **16 , 17**  
Sleeve, Air Intake, **36 , 37**  
Sleeve, Crankshaft, **9**  
Sleeve, Governor, **12**  
Sleeve, Injection Pump Control, **17**  
Slinger, Oil, **9**  
Socket, Relay, **71**  
Spacer, Nozzle Holder, **27**  
Spacer, Raw Water Pump, **41**  
Spring, Brush Block, **68**  
Spring, Delivery Valve, **17**  
Spring, Governor, **14 , 31**  
Spring, Injection Pump Plunger, **17**  
Spring, Nozzle Holder, **27**  
Spring, Rocker Arm, **24 , 25**  
Spring, Starter, **21**  
Spring, Valve, **24 , 25**  
Spring, Valve Seat, **30**  
Standoff, Insulator, **64 , 65**  
Starter, **20**  
Stator, Generator, **68**  
Stator, Governor, **31**  
Stopper, Camshaft, **10**  
Stopper, Fuel Camshaft, **12**  
Strainer, Slotted, **59**  
Strainer, Water Pickup, **58**  
Strap, Bond, **49**  
Strap, Control Box Ground, **64 , 65**  
Strip, Weather, **36**  
Switch, Exhaust Temperature, **57**  
Switch, Rocker, **71 , 76 , 77 , 78**



## Index

Switch, Starter Magnetic, **21**  
Switch, Water Pressure, **43**

### T

Tank, Coolant Recovery, **46**  
Tape, Weather Stripping, **37**  
Tappet, **10** , **17**  
Tee, Fuel Hose Street, **33**  
Tee, Vacuum Relief Valve, **44**  
Tensioner, Belt, **19**  
Thermostat, Water, **38**  
Tube, Breather, **29**  
Tube, Exhaust, **57**  
Tube, Oil, **47**  
Tube, Oil Fill, **47**

### U

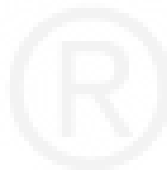
Union, Vacuum Relief Hose, **44** , **45**

### V

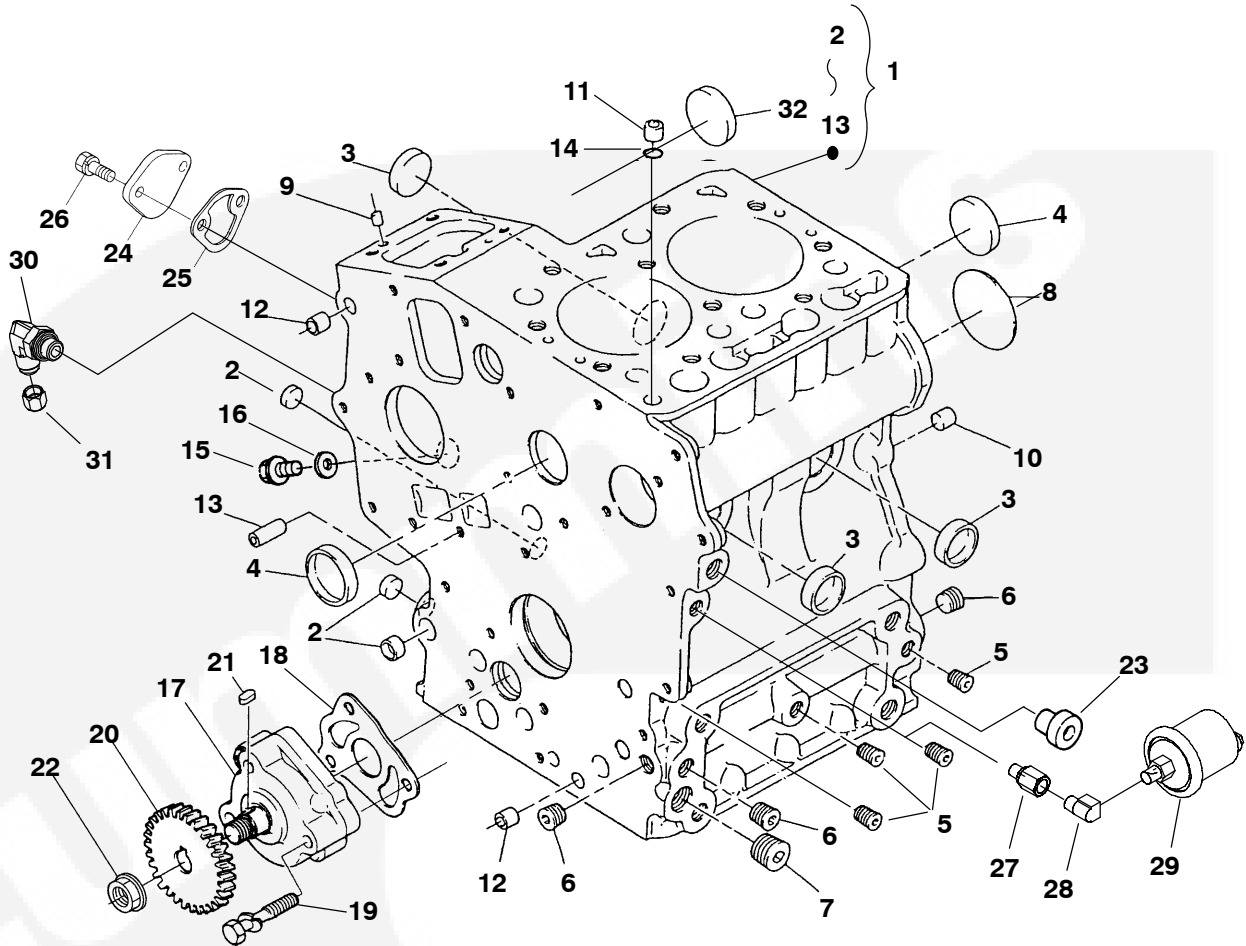
Valve, **24** , **25**  
Valve, Check, **45**  
Valve, Delivery, **17**  
Valve, Oil Drain Ball, **48**  
Valve, Vacuum Relief, **44**

### W

Wire, Injection Pump Retainer, **17**



# Cylinder Block

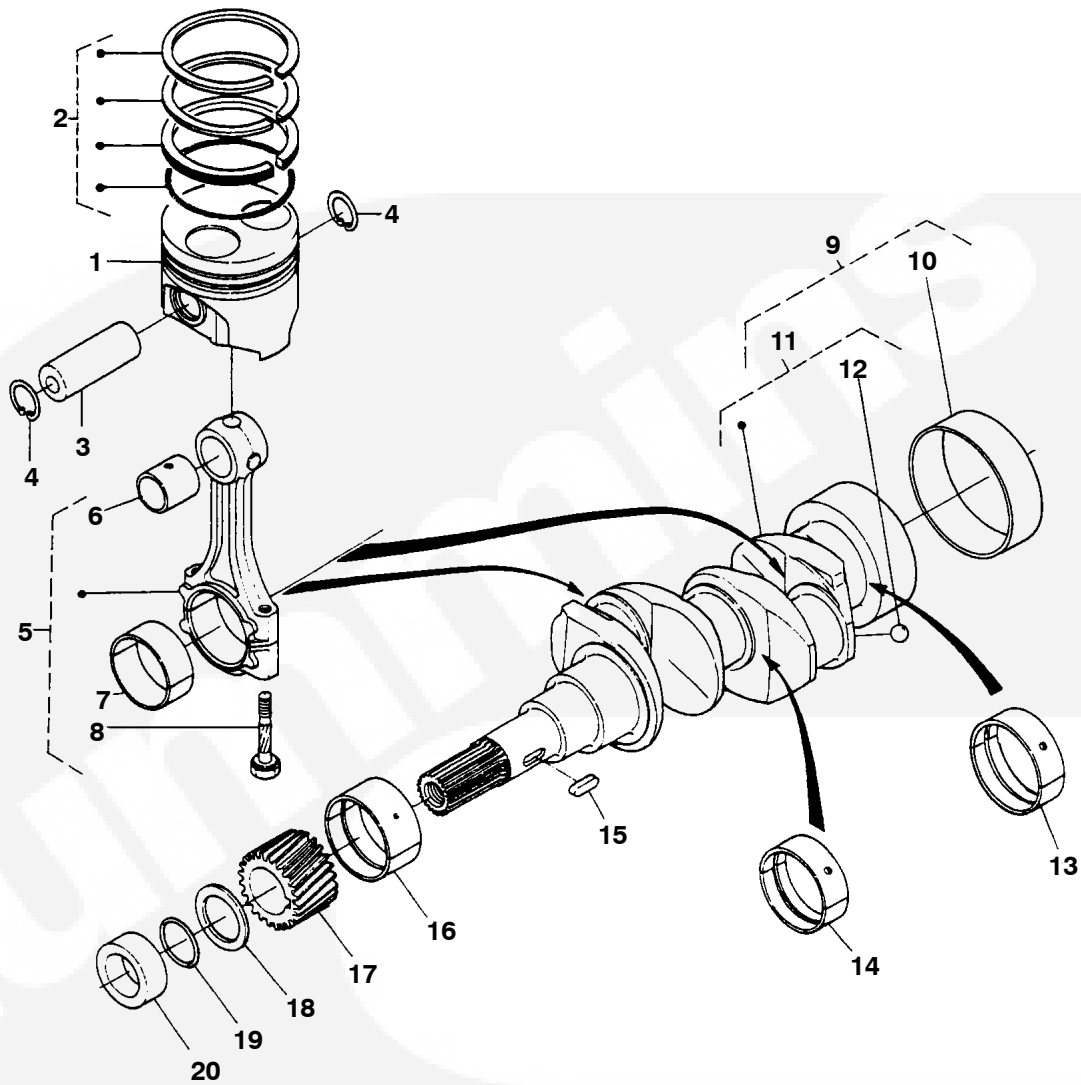


REF NO.	PART NO.	QTY USED	PART DESCRIPTION	REF NO.	PART NO.	QTY USED	PART DESCRIPTION
			Engine, Replacement	18	185-5413	1	Gasket, Oil Pump
	100-3495	1	Spec A	19	185-5491	3	Bolt
	100-3941	1	Begin Spec C	20	185-5414	1	Gear, Oil Pump Drive
1		1	Block Assy, Cylinder (Includes Parts Marked *)	21	185-5415	1	Key, Feather
	184-0045	1	Spec A	22	185-5416	1	Nut, Flange
	110-3970	1	Begin Spec C	23	185-6039	1	Plug
2	185-5482	3	*Cap, Sealing	24	185-5798	1	Cover
3	185-5483	3	*Cap, Sealing	25	185-6580	1	Gasket, Hole Cover
4	185-5484	2	*Cap, Sealing	26	185-2388	2	Bolt
5	185-2188	4	*Plug	27	502-0917	1	+Adapter, Pipe
6	185-2233	3	*Plug	28	502-0020-01	1	+Elbow, Pipe
7	185-2234	1	*Plug	29			Sender, Oil Pressure
8	185-5485	1	*Plug, Expansion		193-0244	1	Standard Ground
9	185-5486	2	*Pin, Straight		193-0430-01	1	+ Isolated Ground
10	185-5487	2	*Pin, Straight	30	502-1359	1	Elbow, 90° Coolant Drain
11	185-2094	1	*Pin, Pipe	31	502-1360	1	Nut, Cap
12	185-2115	2	*Pin, Pipe	32	185-5489	1	Cover, Fuel Camshaft
13	185-5488	2	*Pin, Pipe				
14	185-2095	1	O'Ring				
15	184-0023	1	Plug				
16			Gasket				
	184-0014	1	Spec A				
	509-0442	1	Begin Spec C				
17	185-5412	1	Pump, Oil				

\* - Parts Included in Cylinder Block Assy.

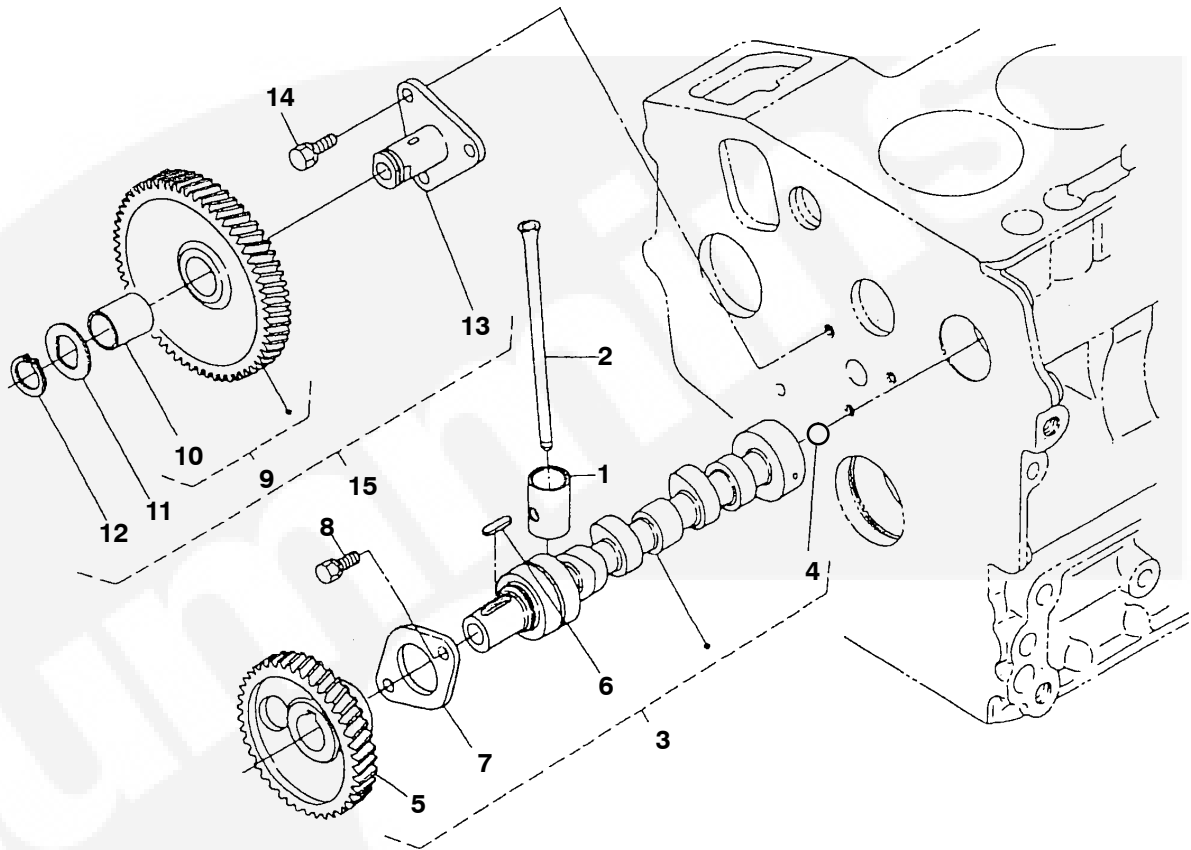
+ - Parts Included in Isolated Ground Kit Listed on Relay Page.

## Piston and Crankshaft



REF NO.	PART NO.	QTY USED	PART DESCRIPTION	REF NO.	PART NO.	QTY USED	PART DESCRIPTION
1			Piston	11	184-0034	2	Crankshaft (Includes Ball)
	184-0032	2	Standard	12	185-5575	2	Ball
	184-0033	2	+0.50mm	13			Bearing
2			Ring Assy, Piston		185-5580	1	Standard
	184-0030	2	Standard		185-2026	1	-0.20mm
	184-0031	2	+0.050mm		185-5357	1	-0.40mm
3	185-5568	2	Pin, Piston	14			Bearing
4	185-2016	4	Circlip, Piston Pin		185-5581	1	Standard
5	114-0420	2	Rod Assy, Connecting (Includes Bush, Bolt, and Bearing)		185-5360	1	-0.20mm
6	508-1255	2	Bush, Piston Pin		185-5361	1	-0.40mm
7			Bearing	15	185-2353	1	Key, Feather
	185-5571	2	Standard	16			Bearing
	185-5572	2	-0.20mm		185-5577	1	Standard
	185-5573	2	-0.40mm		185-5578	1	-0.20mm
8	185-5570	4	Bolt, Connecting Rod		185-5579	1	-0.40mm
9	184-0034	1	Crankshaft Assy (Includes Sleeve, Crankshaft and Ball)	17	185-5576	1	Gear
10	185-2033	1	Sleeve	18	185-5583	1	Slinger, Oil
				19	184-0021	1	O'Ring
				20	185-7407	1	Collar, Crankshaft

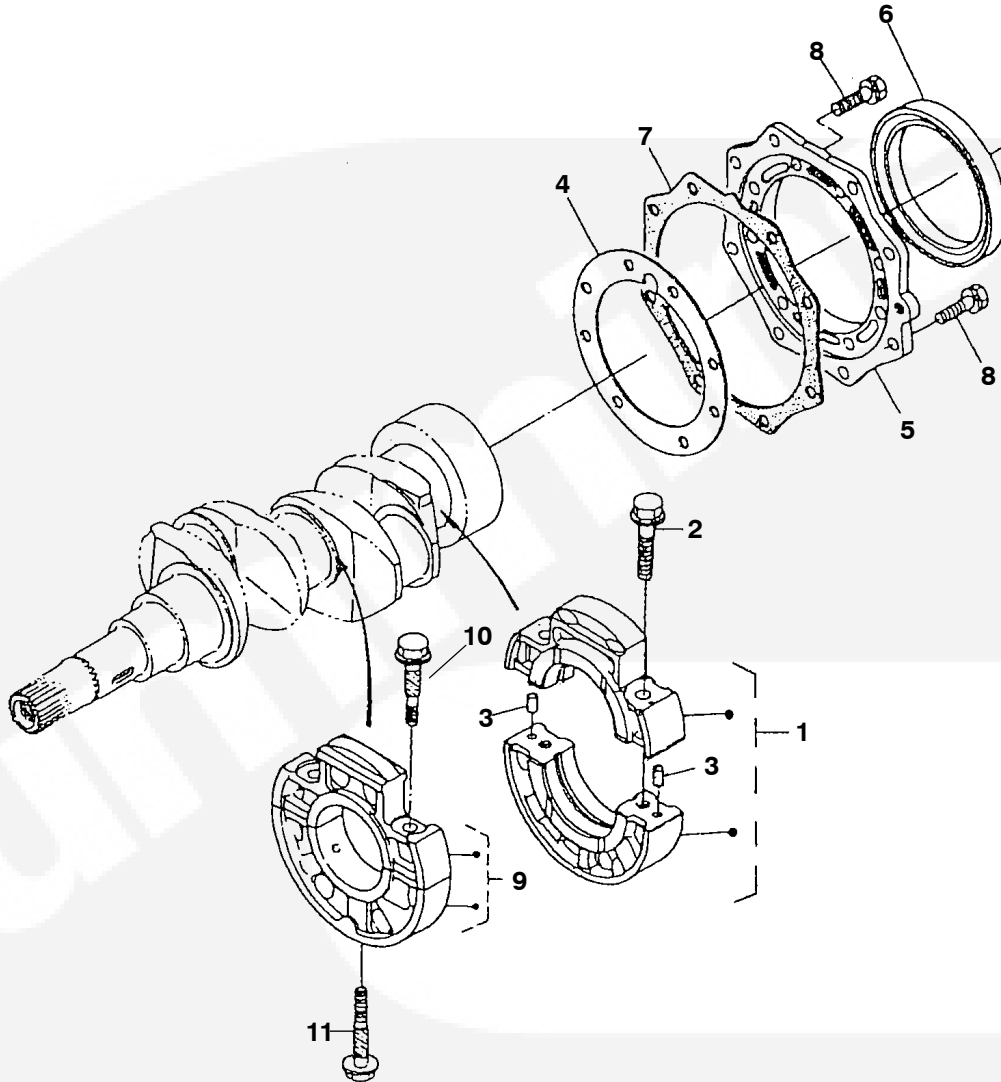
## Camshaft



REF NO.	PART NO.	QTY USED	PART DESCRIPTION	REF NO.	PART NO.	QTY USED	PART DESCRIPTION
1	185-5554	4	Tappet	11	185-5563	1	+ Collar, Idle Gear
2	184-0028	4	Rod, Push	12	185-5564	1	+ Ring, Snap
3	184-0029	1	Camshaft Assy (Includes Parts Marked *)	13	185-5565	1	+ Shaft, Idle Gear
4	185-5924	1	*Bearing, Ball	14	185-2387	3	Bolt
5	185-7075	1	*Gear, Cam	15	184-0040	1	Gear, Idle (Includes Parts Marked +)
6	185-5560	1	*Key, Feather				
7	185-5561	1	*Stopper, Camshaft				
8	185-2386	2	Bolt				
9	185-5562	1	+ Gear, Idle (Includes Bush)				
10	185-7385	1	+ Bush				

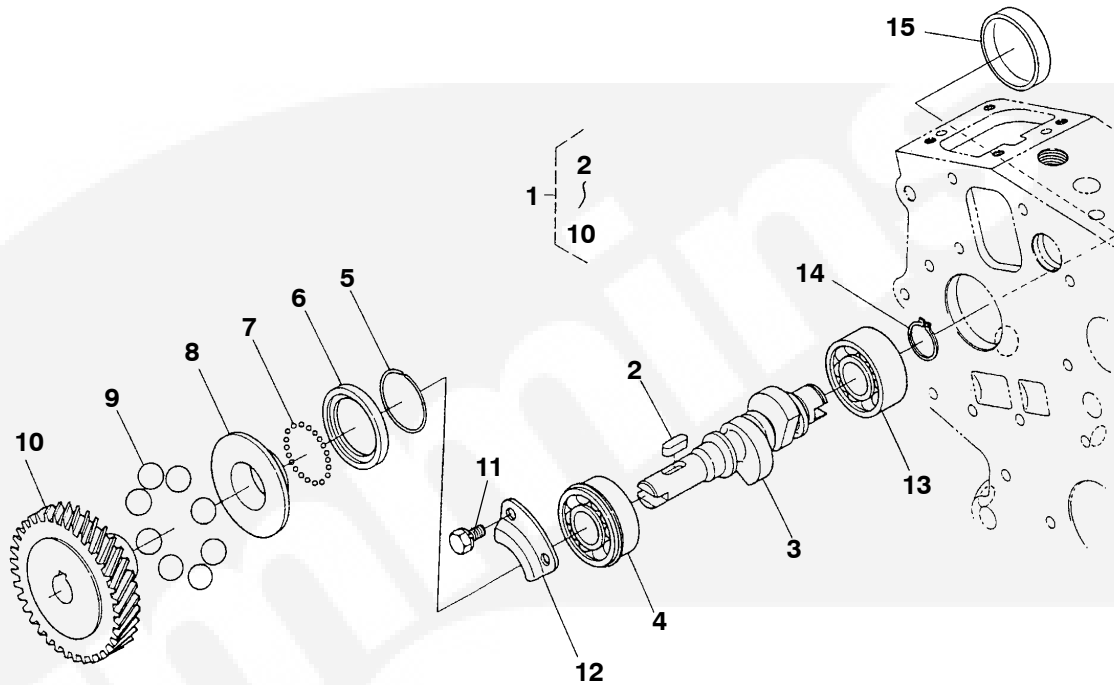
\* - Parts Included in Camshaft Assy.  
+ - Parts Included in Idle Gear Assy.

## Main Bearing Case



REF NO.	PART NO.	QTY USED	PART DESCRIPTION	REF NO.	PART NO.	QTY USED	PART DESCRIPTION
1	184-0027	1	Case, Main Bearing (Includes Pins)	6	185-5437	1	Seal, Oil
2	185-6105	2	Bolt, Flange	7	185-7383	1	Gasket
3	184-0022	2	Pin, Straight	8	185-2559	16	Bolt
4	101-0846	1	Gasket, Bearing Plate	9	185-5517	1	Case, Main Bearing
5	185-5516	1	Cover, Bearing Case	10	185-5515	2	Bolt, Bearing Case
				11	185-5519	1	Bolt, Bearing Case

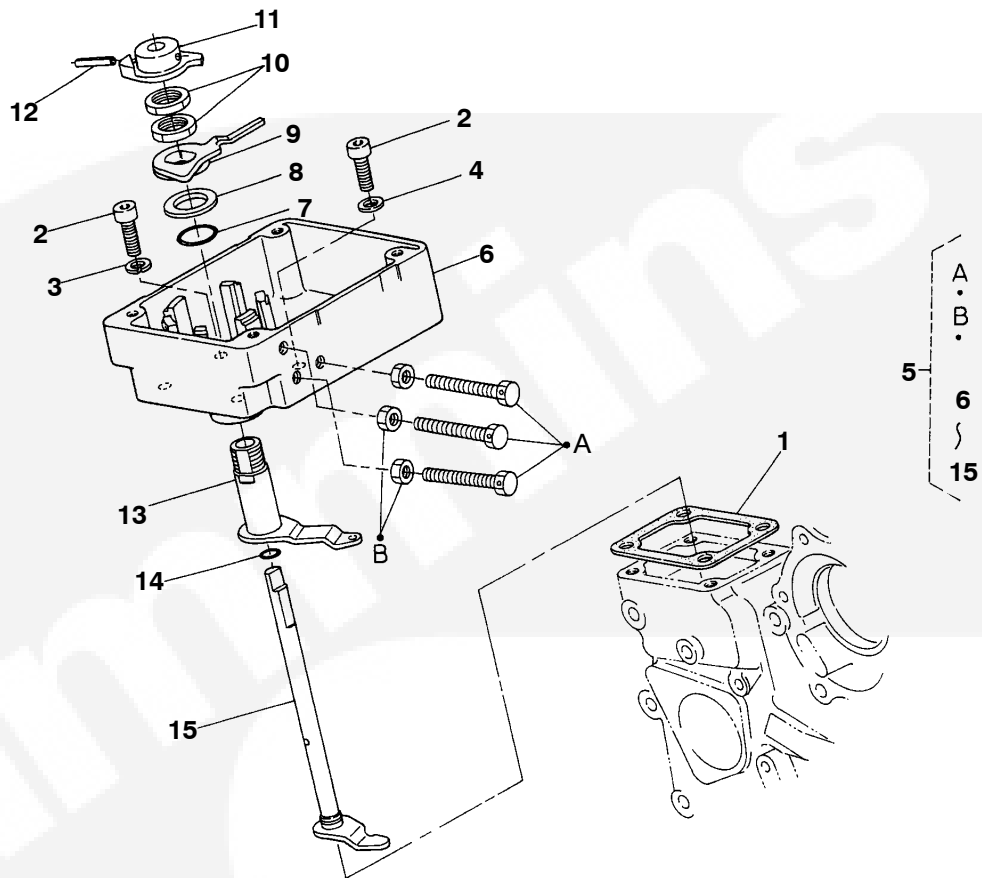
## Fuel Camshaft



REF NO.	PART NO.	QTY USED	PART DESCRIPTION	REF NO.	PART NO.	QTY USED	PART DESCRIPTION
1	184-0049	1	Camshaft Assy, Fuel (Includes Parts Marked *)	10	185-5630	1	*Gear, Injection Pump
2	185-2353	1	*Key, Feather	11	185-2386	2	Bolt
3	185-5628	1	*Camshaft, Fuel	12	185-5635	1	Stopper, Fuel Camshaft
4	185-5629	1	*Bearing, Ball	13	510-0229	1	Bearing, Ball
5	185-2163	1	*Circlip, External	14	185-5634	1	Circlip, External
6	185-5632	1	*Case, Governor Ball	15	185-5489	1	Cover, Fuel Camshaft
7	185-2357	32	*Ball				
8	185-5631	1	*Sleeve, Governor				
9	185-5633	8	*Ball				

\* - Parts Included in Fuel Camshaft Assy.

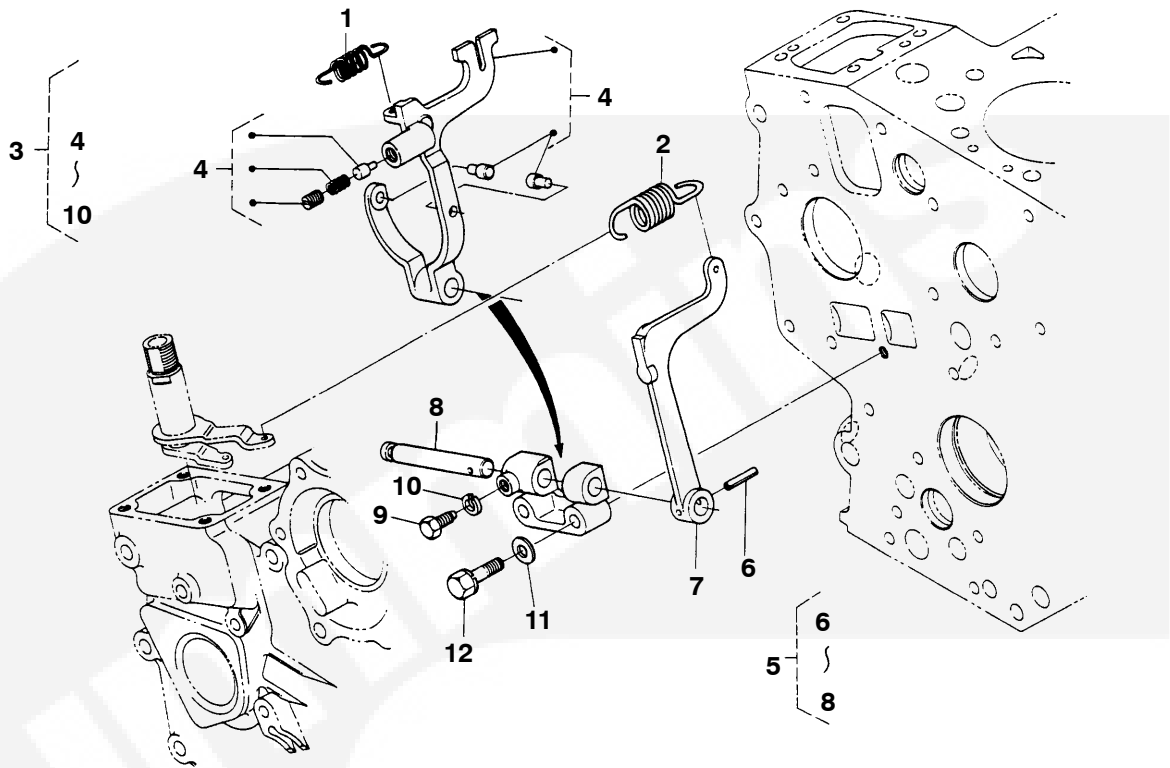
## Speed Control Plate



REF NO.	PART NO.	QTY USED	PART DESCRIPTION	REF NO.	PART NO.	QTY USED	PART DESCRIPTION
1	185-7080	1	Gasket	9	184-0056	1	*Lever, Speed Control
2	184-0013	4	Screw, Hex Head Cap W/Lock Washer (M6 x 18mm)	10	185-5693	2	*Nut, Jam Hex
3	185-2380	2	Washer, Spring	11	184-0059	1	*Lever, Engine Stop
4	185-2284	2	Seal, Oil	12	185-5696	1	*Pin, Spring
5	185-7267	1	Plate Assy, Speed Control (Includes Parts Marked *)	13	184-0053	1	*Lever, Governor
6	185-0055	1	*Plate, Speed Control	14	184-0017	1	*O'Ring
7	184-0019	1	*O'Ring	15	184-0060	1	*Shaft, Lever
8	184-0057	1	*Collar				

\* - Parts Included in Speed Control Plate Assy.

## Fork Lever

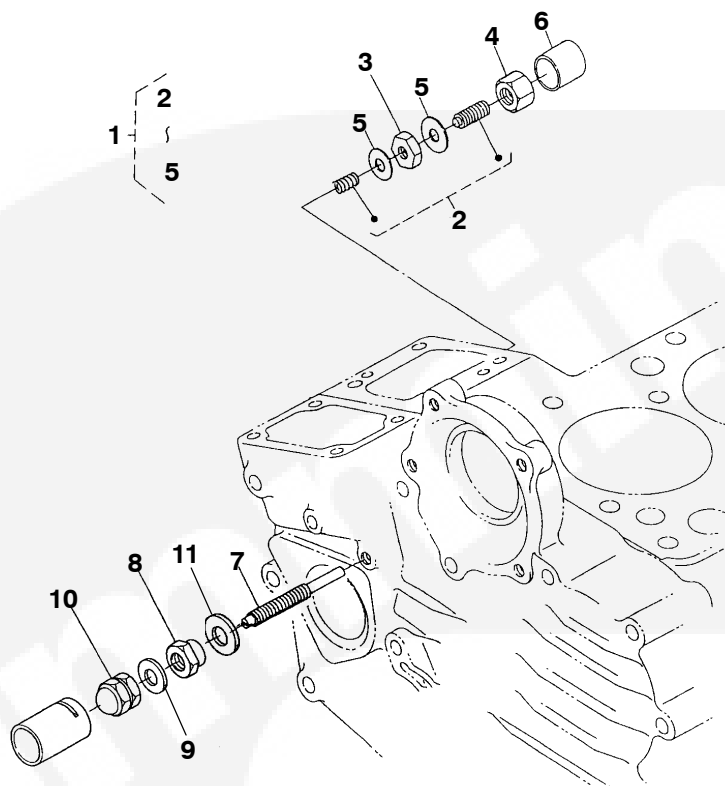


REF NO.	PART NO.	QTY USED	PART DESCRIPTION	REF NO.	PART NO.	QTY USED	PART DESCRIPTION
1	185-5698	1	Spring, Start	7	185-5702	1	*Lever, Outer Fork
2	184-0054	1	Spring, Governor	8	185-5703	1	*Shaft
3	150-7871	1	Lever Assy, Fork (Includes Parts Marked *)	9	185-2173	1	*Bolt
4	184-0052	1	*Lever, Inner Fork	10	185-6999	1	*Washer, Spring Lock
5	185-5701	1	*Lever Assy, Outer Fork (Includes Pin, Fork Lever, and Shaft)	11	184-5966	2	Washer, Plain
6	185-5696	1	*Pin, Spring	12	185-2393	2	Bolt

\* - Parts Included in Fork Lever Assy.

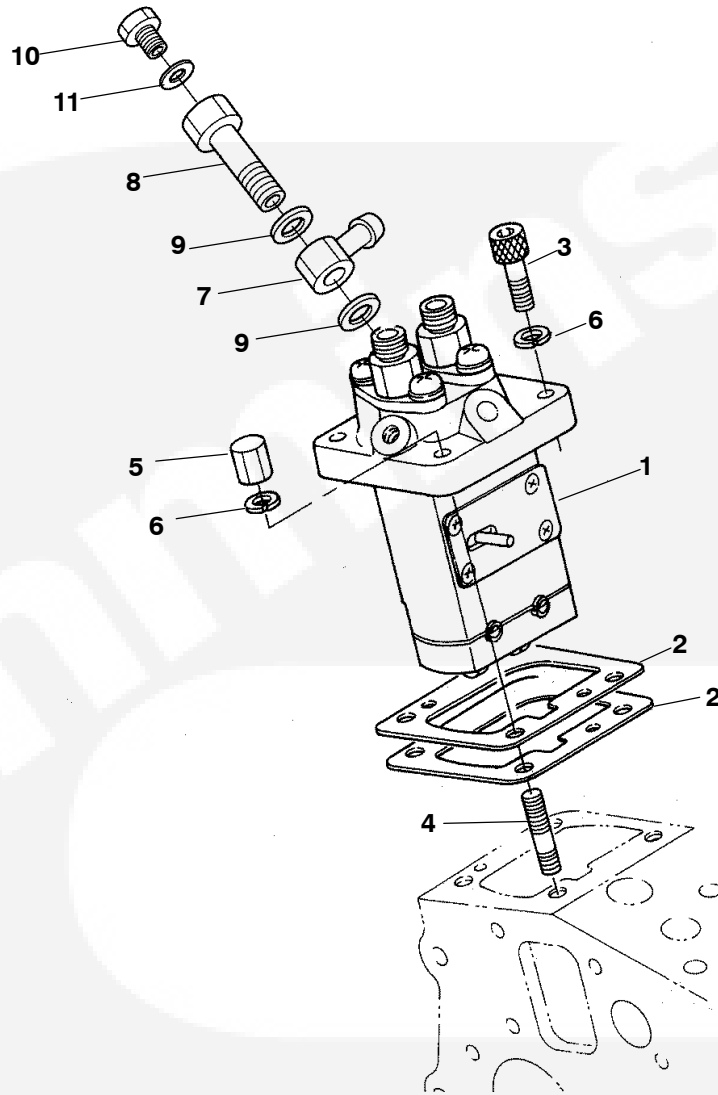


## Engine Stop Lever



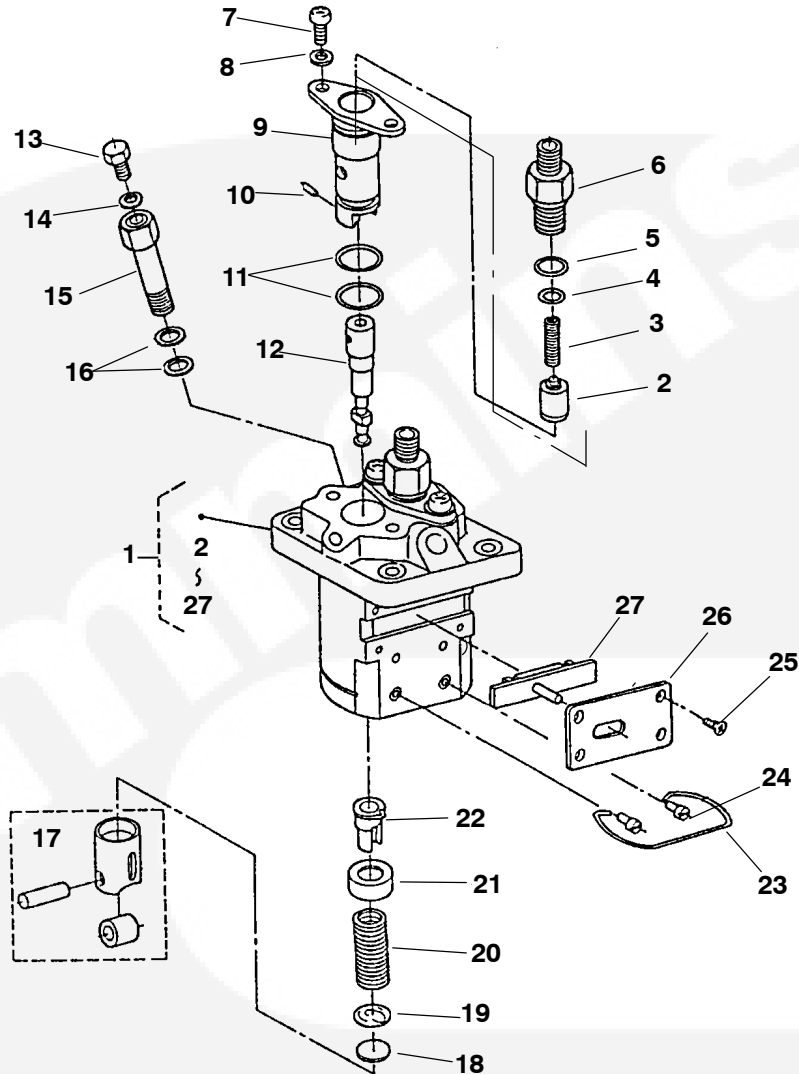
REF NO.	PART NO.	QTY USED	PART DESCRIPTION	REF NO.	PART NO.	QTY USED	PART DESCRIPTION
1	185-5679	1	Apparatus Assy, Idle (Includes Bolt, Nuts and Gaskets)	7	150-2872	1	Screw, Governor
2	185-5680	1	Bolt Assy, Adjusting	8	185-5684	1	Nut
3	185-2180	1	Nut (Obsolete)	9	185-2284	1	Gasket
4	185-5681	1	Nut	10	185-6931	1	Nut
5	185-2338	2	Gasket	11	150-2870	1	Gasket
6	185-5682	1	Cap				

## Injection Pump



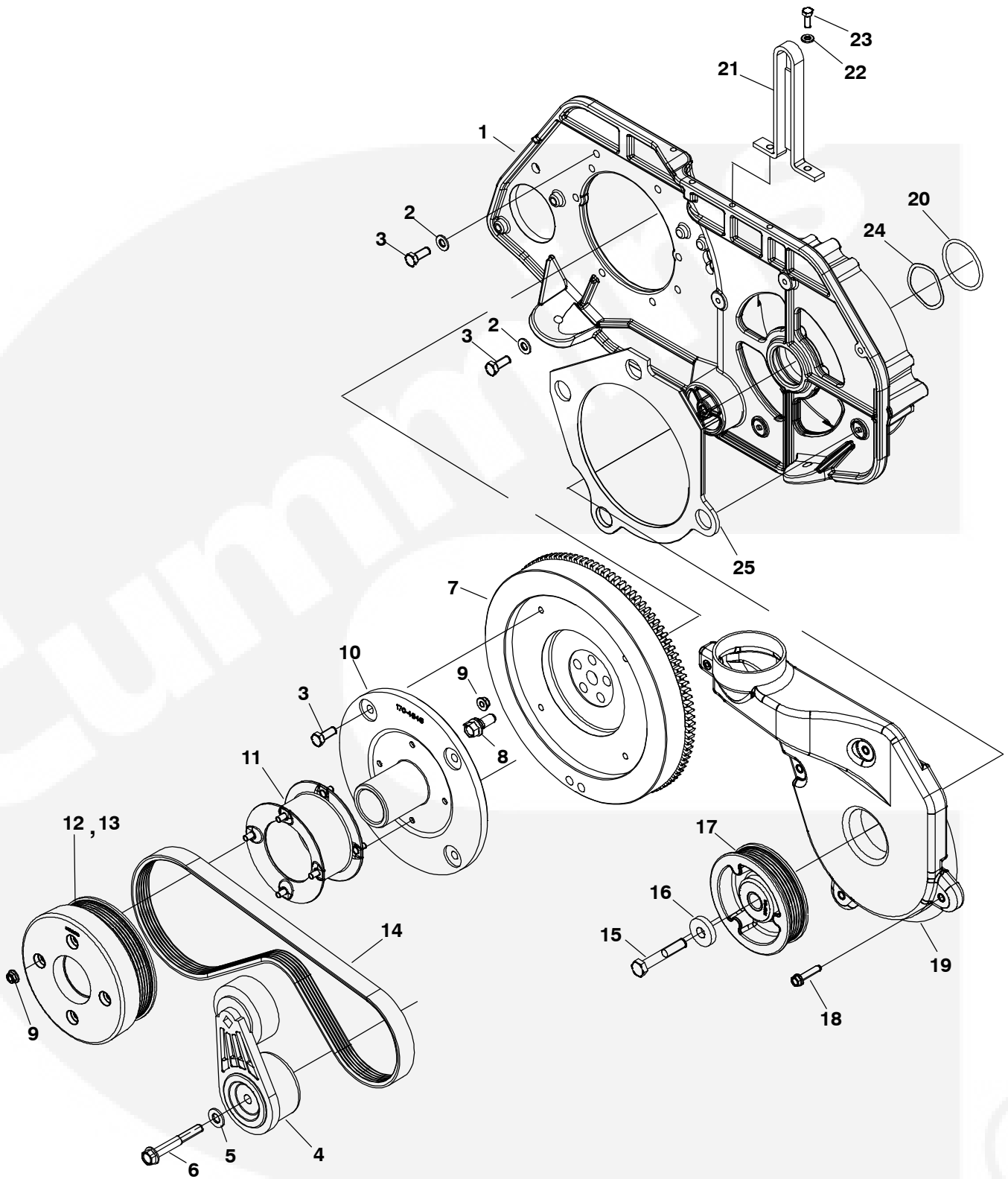
REF NO.	PART NO.	QTY USED	PART DESCRIPTION	REF NO.	PART NO.	QTY USED	PART DESCRIPTION
1	185-5422	1	Pump Assy, Injection	5	185-5625	1	Nut
2	185-6735	1	Shim, Injection Pump	6	185-2380	4	Washer, Spring
	185-6736	1	0.20mm	7	185-5626	1	Joint, Eye
	185-6737	1	0.30mm	8	185-5660	1	Screw, Follow
3	185-5623	3	Bolt, Hex Socket Head	9	185-5661	2	Gasket
4	185-5624	1	Stud	10	185-5662	1	Screw
				11	185-5663	1	Gasket

## Injection Pump Components



REF NO.	PART NO.	QTY USED	PART DESCRIPTION	REF NO.	PART NO.	QTY USED	PART DESCRIPTION
1	185-5422	1	Pump Assy, Injection	15	185-5660	2	Screw, Follow
2	185-5639	2	Valve, Delivery	16	185-5661	1	O'Ring
3	185-5640	2	Spring, Delivery Valve	17	185-5649	2	Tappet
4	185-5641	2	Gasket, Delivery Valve	18	185-5655	1	Shim
5	185-5643	2	O'Ring	19	185-5654	2	Seat, Lower Spring
6	185-5642	2	Holder, Delivery Valve	20	185-5652	2	Spring, Plunger
7	185-5647	4	Screw, Round Head Machine	21	185-5653	2	Seat, Upper Spring
8	185-5648	4	Washer	22	185-5659	2	Sleeve, Control
9	185-5644	2	Flange, Sleeve	23	185-5651	1	Wire, Retainer
10	185-5645	2	Pin, Joint	24	185-5650	2	Pin
11	185-5646	4	O'Ring	25	185-5658	4	Screw, Machine
12	185-5638	2	Plunger, Pump	26	185-5657	1	Plate
13	185-5662	1	Screw	27	185-5656	1	Rack, Control
14	185-5663	1	Gasket				

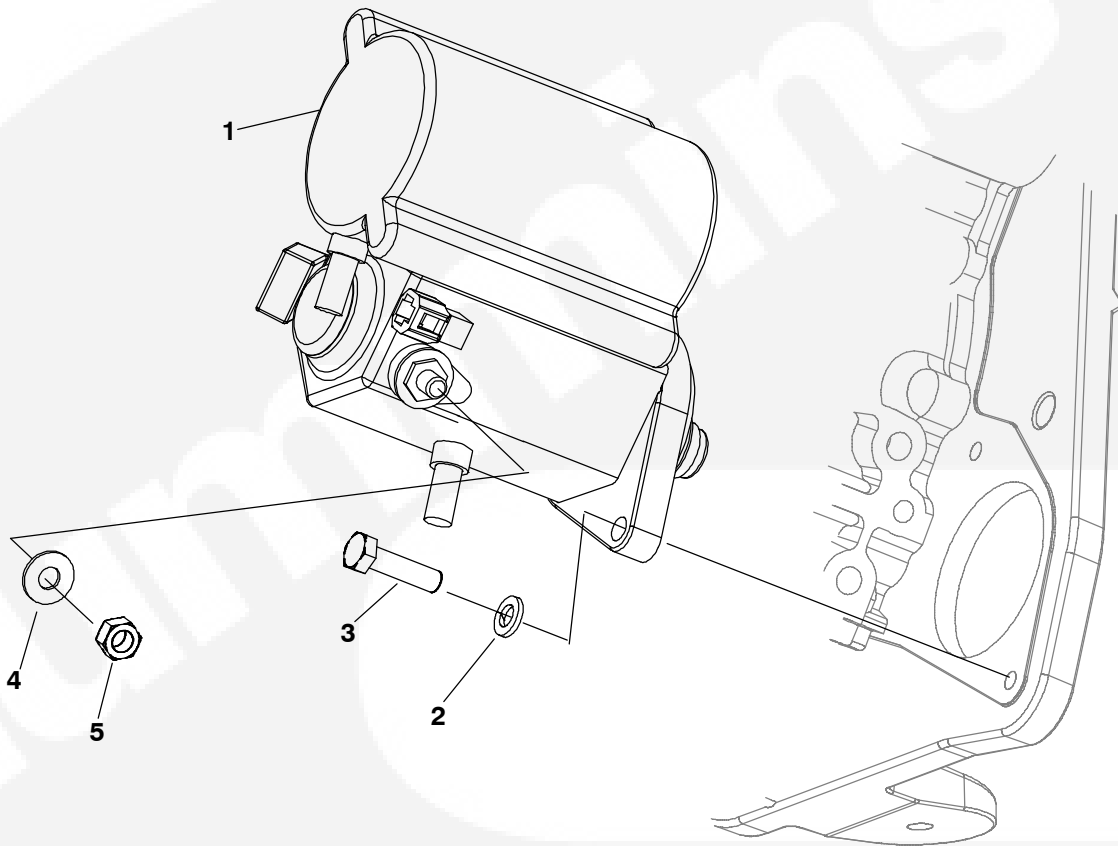
# Flywheel



## Flywheel

REF NO.	PART NO.	QTY USED	PART DESCRIPTION	REF NO.	PART NO.	QTY USED	PART DESCRIPTION
1	104-1960-01	1	Adapter, Engine Spec A	14	511-0196	1	Belt (6 Rib)
	101-0826-02	1	Begin Spec B	15	800-2093	1	Screw, Hex Head Cap (M10 x 1.5 x 60mm)
2	526-2100	8	Washer, Flat (M8)	16	526-0017	1	Washer, Flat
3	800-2057	12	Screw, Hex Head Cap (M8 x 1.25 x 20mm)	17	512-0205-01	1	Pulley, Generator
4	190-0757	1	Tensioner, Belt	18	821-2035	2	Screw, Lock Flange (M6 x 1 x 25mm) Spec A
5	526-2120	1	Washer, Flat (M10)		815-0941-04	4	Begin Spec B
6			Screw Spec A				Screw, Hex Thread Form (M6 x 1 x 30mm)
	800-3044	1	Hex Head Cap (M10 x 1.25 x 70mm)	19			Duct, Intake
			Screw Begin Spec B		405-6711	1	Spec A
	815-0657	1	Hex Thread Form (3/8-16 x .75")		405-7388	1	Begin Spec B
7	104-1967-02	1	Flywheel Assy (Includes Ring Gear)	20	509-0196	1	O'Ring
8	185-5587	5	Bolt, Flywheel	21	403-4546-02	1	Bracket, Lifting
9	870-2065-02	8	Nut, Hex (M6 x 1)	22	526-2080	2	Washer, Flat (M6)
10	232-4111	1	Hub, Flex Coupling	23	800-2033	2	Screw, Hex Head Cap (M6 x 1 x 16mm)
11	512-0217	1	Coupling	24	851-0045	1	Washer, Wave (Begin Spec B)
12			Pulley Assy, Drive (Includes Bearings)	25	405-7389	1	Seal, Air Inlet (Begin Spec B)
	512-0213-01	1	Spec A				
	512-0248	1	Begin Spec B				
13	104-1959	2	Bearing Spec A				

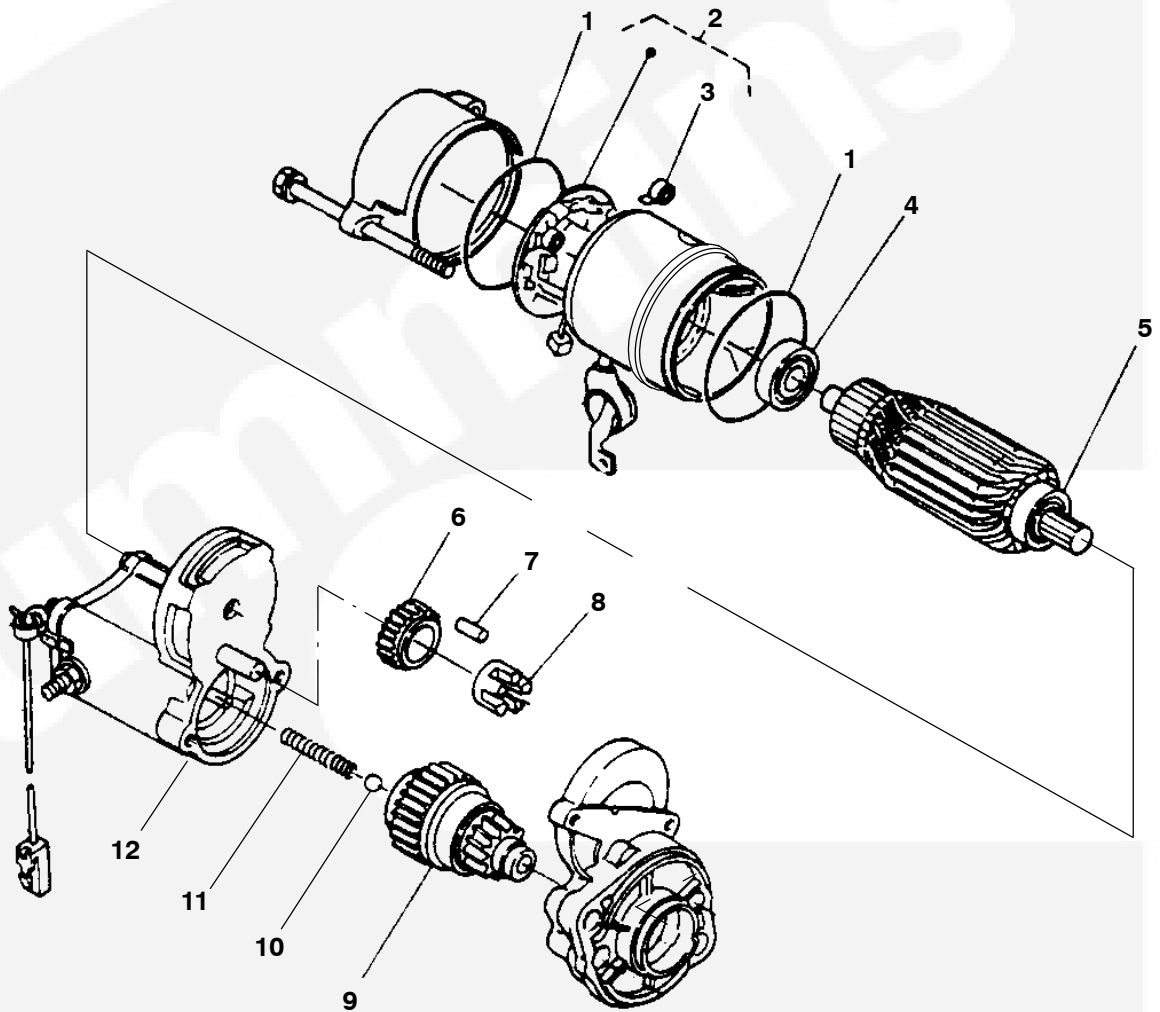
## Starter



REF NO.	PART NO.	QTY USED	PART DESCRIPTION
1	191-2229	1	Starter
2	850-2008	2	Washer, Lock (M8)
3	800-2515	2	Screw, Hex Head Cap (M8 x 1.25 x 30mm)
4	526-0054	2	Washer, Flat (5/16")
5	750-1006	2	Nut (M8 x 2.15mm)



## Starter Components



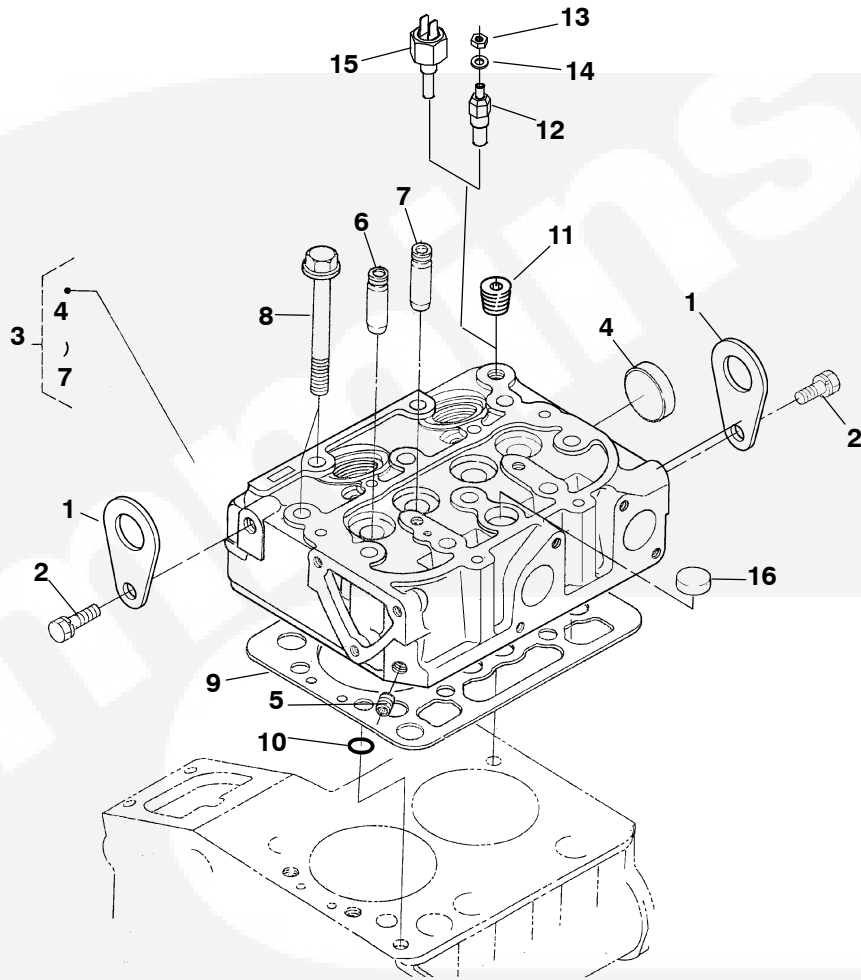
REF NO.	PART NO.	QTY USED	PART DESCRIPTION	REF NO.	PART NO.	QTY USED	PART DESCRIPTION
	191-2229	1	Starter	6	191-2250	1	Pinion, Starter
1	191-2239	1	O'Ring	7	191-2252	1	Roller, Clutch
2	191-2247	1	Holder Assy, Starter (Includes Spring)	8	191-2251	1	Retainer
3	191-2246	1	Spring, Starter	9	191-2253	1	Clutch, Starter
4	191-2255	1	Bearing, Ball	10	191-2241	1	Ball, Steel
5	191-2254	1	Bearing, Ball	11	191-2240	1	Spring, Return
				12	191-2245	1	Switch, Magnetic

“Blank Page”





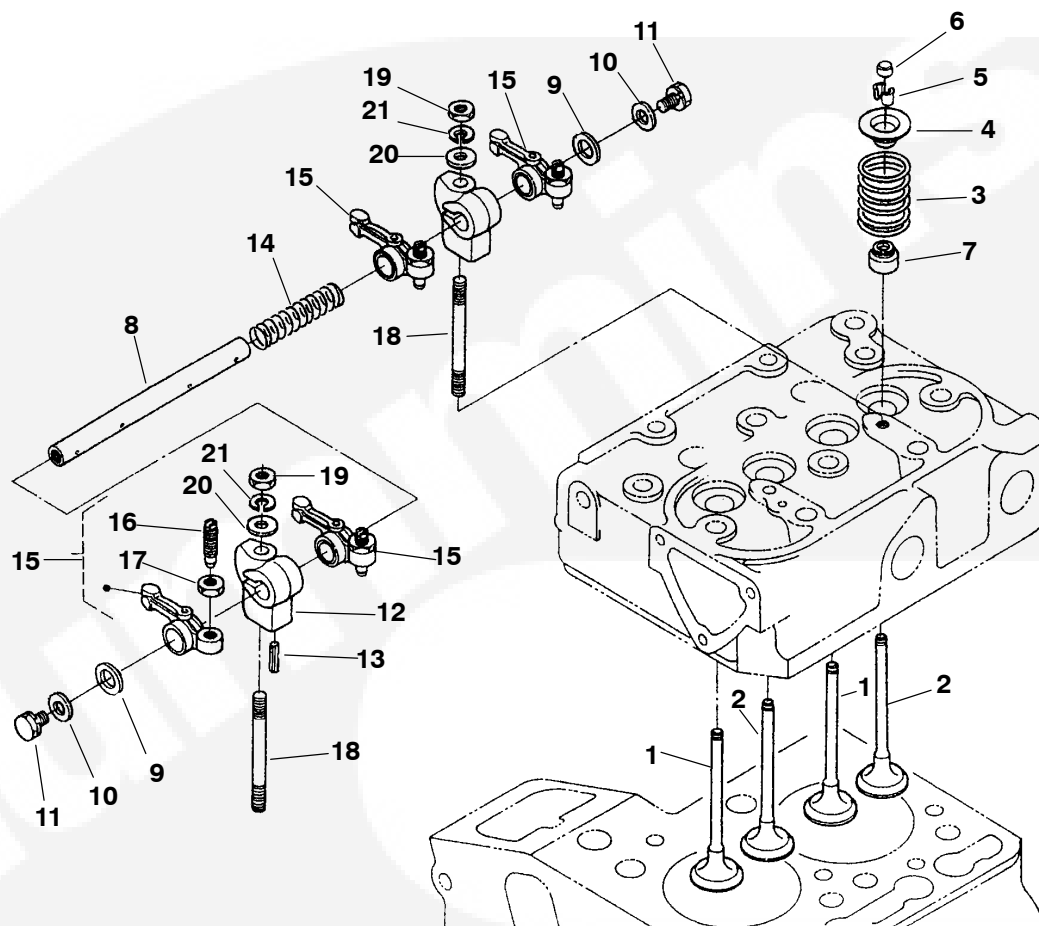
## Cylinder Head



REF NO.	PART NO.	QTY USED	PART DESCRIPTION	REF NO.	PART NO.	QTY USED	PART DESCRIPTION
1	185-2414	2	Hook, Engine	12	193-0388	1	Sender, Water Temperature (Includes Nut and Washer)
2	185-6762	2	Bolt	13	871-0010	1	Nut, Hex Brass (10-32)
3	184-0024	1	Head, Cylinder (Includes Cap, Plug and Guides)	14	526-0049	1	Washer, Brass Flat (#10) (Standard Ground)
4	517-0387	1	Plug, Expansion	15	193-0491	1	*Sender, Water Temperature (Isolated Ground)
5	185-2188	1	Plug	16	185-2413	1	Cap, Sealing
6	185-5500	2	Guide, Inlet Valve				
7	185-5501	2	Guide, Exhaust Valve				
8	185-5503	1	Bolt, Cylinder Head				
9	184-0025	1	Gasket, Cylinder Head				
10	185-2095	1	O'Ring				
11	185-5502	1	Plug				

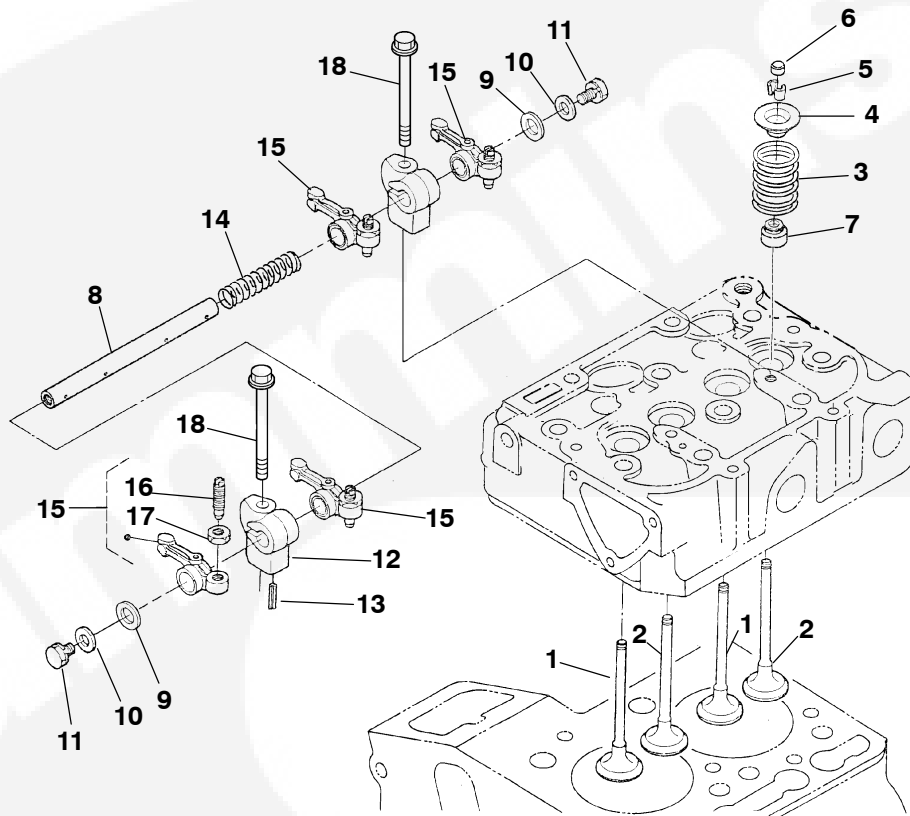
\* - Part Included in Isolated Ground Kit Listed on Relay (Isolated Ground) Page.

## Rocker Arm (Spec A)



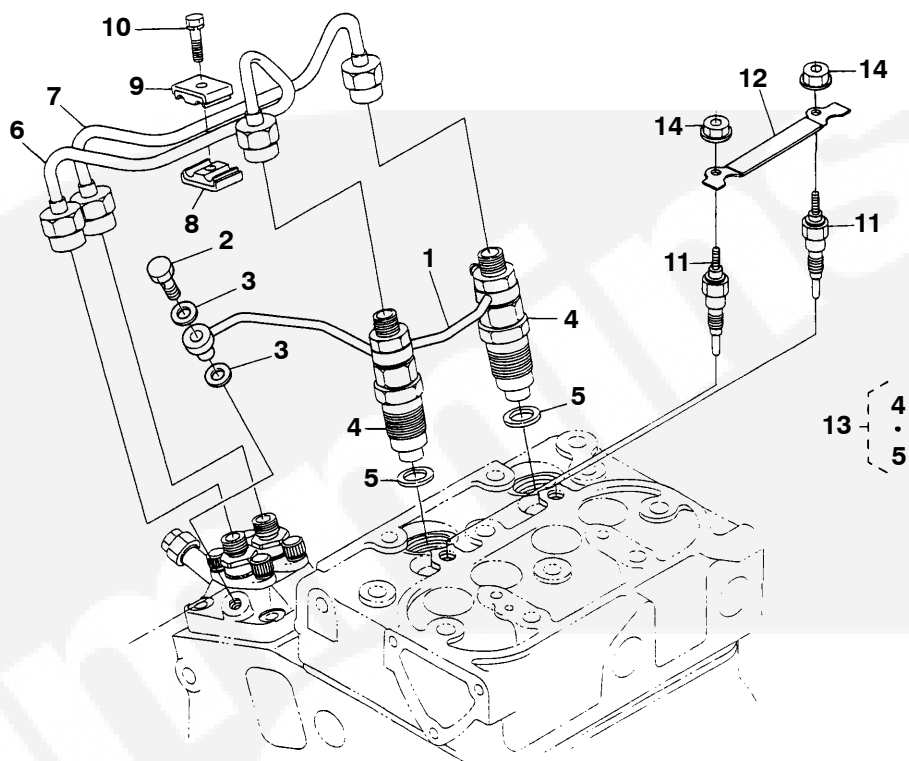
REF NO.	PART NO.	QTY USED	PART DESCRIPTION	REF NO.	PART NO.	QTY USED	PART DESCRIPTION
1	185-5537	2	Valve, Inlet	12	185-5546	2	Bracket, Rocker Arm
2	185-5538	2	Valve, Exhaust	13	185-2351	1	Pin, Spring
3	185-5539	4	Spring, Valve	14	185-5550	1	Spring, Rocker Arm
4	185-5540	4	Retainer, Spring	15	185-5551	4	Arm Assy, Rocker
5	185-5541	4	Collet, Valve Spring	16	185-5552	4	Screw, Adjusting
6	185-5542	4	Cap, Valve	17	185-5553	2	Nut
7	185-5348	4	Seal, Valve Stem	18	185-5547	2	Stud
8	185-7394	1	Shaft, Rocker Arm	19	185-4255	2	Nut
9	185-7086	2	Washer	20	740-1004	2	Washer, Plain
10	185-7395	2	Washer, Plain	21	185-2380	2	Washer, Spring
11	185-2386	2	Bolt				

## Rocker Arm (Begin Spec C)



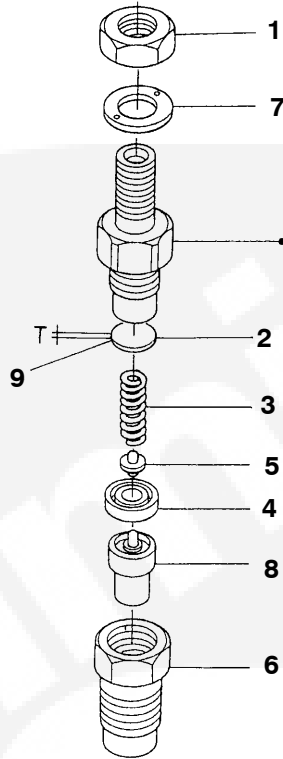
REF NO.	PART NO.	QTY USED	PART DESCRIPTION	REF NO.	PART NO.	QTY USED	PART DESCRIPTION
1	185-5537	2	Valve, Inlet	11	185-2386	2	Bolt
2	185-5538	2	Valve, Exhaust	12	185-5546	2	Bracket, Rocker Arm
3	185-5539	4	Spring, Valve	13	185-2351	1	Pin, Spring
4	185-5540	4	Retainer, Spring	14	185-5550	1	Spring, Rocker Arm
5	185-5541	4	Collet, Valve Spring	15	185-5551	4	Arm Assy, Rocker
6	185-5542	4	Cap, Valve	16	185-5552	4	Screw, Adjusting
7	185-5348	4	Seal, Valve Stem	17	185-5553	2	Nut
8	185-7394	1	Shaft, Rocker Arm	18	800-6372	2	Screw, Hex Flanged Head
9	185-7086	2	Washer				
10	185-7395	2	Washer, Plain				

## Nozzle Holder



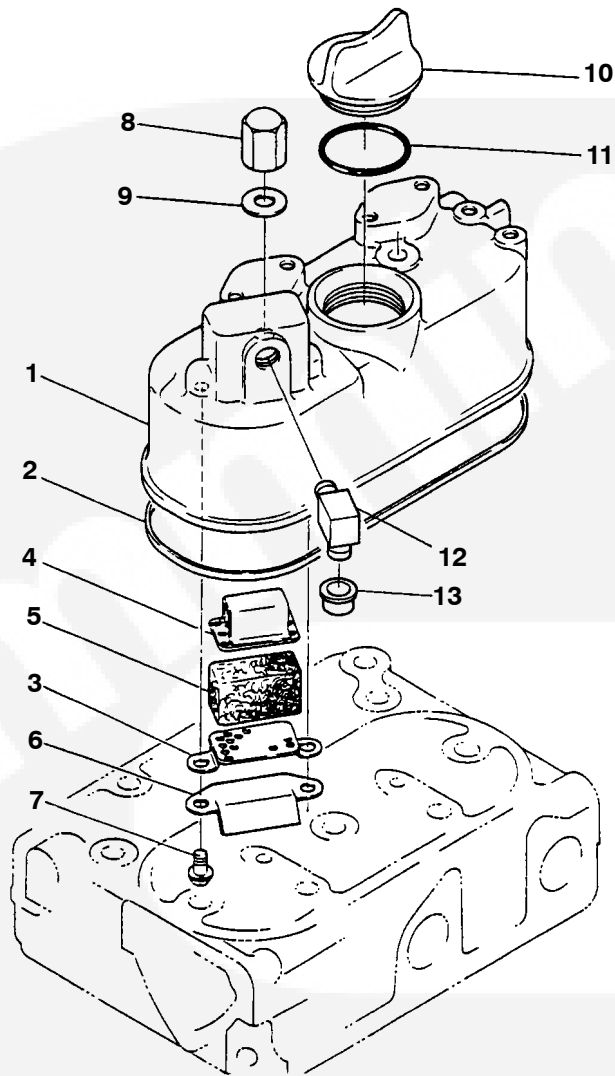
REF NO.	PART NO.	QTY USED	PART DESCRIPTION	REF NO.	PART NO.	QTY USED	PART DESCRIPTION
1	184-0062	1	Pipe Assy, Overflow	9	185-2345	1	Clamp, Top Pipe
2	185-7082	1	Screw, Air Bleeder	10	185-2385	1	Screw, Pan Head Machine
3	185-2284	2	Gasket	11	185-5421	2	Plug, Glow (HR5)
4	185-6738	2	Holder, Nozzle	12	337-3782	1	Cord, Glow Plug
5	185-5337	2	Gasket	13	184-0035	1	Kit, Nozzle Holder (Includes Nozzle Holder and Gasket)
6	184-0041	1	Line, Fuel	14	185-5615	2	Nut, Flange
7	184-0042	1	Line, Fuel				
8	185-5612	1	Clamp, Bottom Pipe				

## Nozzle Holder Components-



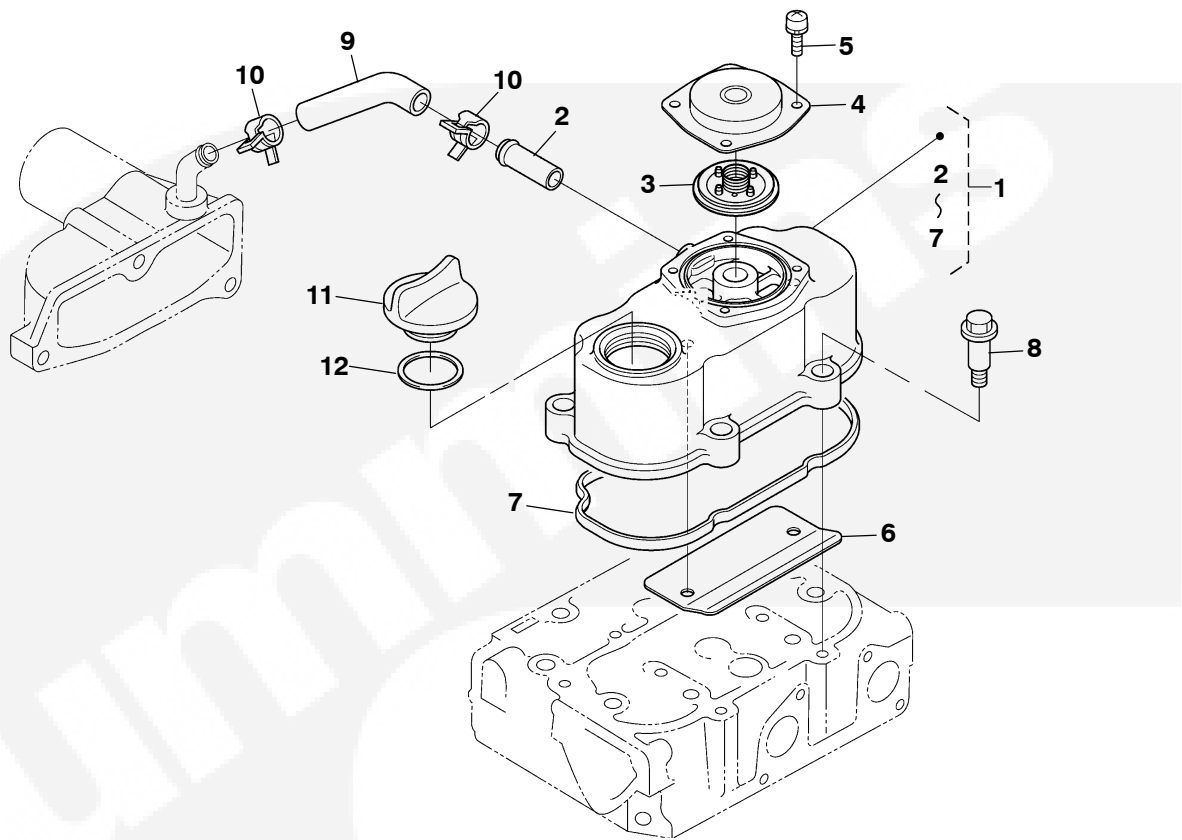
REF NO.	PART NO.	QTY USED	PART DESCRIPTION	REF NO.	PART NO.	QTY USED	PART DESCRIPTION
	185-6738	1	Holder Assy, Nozzle		185-5381	2	1.325 mm
1	185-5616	2	Nut, Hex		185-5382	2	1.350 mm
2	185-5364	2	Washer, Adjusting		185-5383	2	1.375 mm
3	185-5617	2	Spring		185-5384	2	1.400 mm
4	185-5618	2	Spacer		185-5385	2	1.425 mm
5	185-5619	2	Rod, Push		185-5386	2	1.450 mm
6	185-6825	2	Nut, Nozzle		185-5387	2	1.475 mm
7	185-5621	2	Washer		185-5388	2	1.500 mm
8	185-5622	2	Nozzle		185-5389	2	1.525 mm
9	185-5363	2	Washer Assy, Adjusting		185-5390	2	1.550 mm
			(Includes all of the following:		185-5391	2	1.575 mm
	185-5364	2	0.900 mm		185-5392	2	1.600 mm
	185-5365	2	0.925 mm		185-5393	2	1.625 mm
	185-5366	2	0.950 mm		185-5394	2	1.650 mm
	185-5367	2	0.975 mm		185-5395	2	1.675 mm
	185-5368	2	1.000 mm		185-5396	2	1.700 mm
	185-5369	2	1.025 mm		185-5397	2	1.725 mm
	185-5370	2	1.050 mm		185-5398	2	1.750 mm
	185-5371	2	1.075 mm		185-5399	2	1.775 mm
	185-5372	2	1.100 mm		185-5400	2	1.800 mm
	185-5373	2	1.125 mm		185-5401	2	1.825 mm
	185-5374	2	1.150 mm		185-5402	2	1.850 mm
	185-5375	2	1.175 mm		185-5403	2	1.875 mm
	185-5376	2	1.200 mm		185-5404	2	1.900 mm
	185-5377	2	1.225 mm		185-5405	2	1.925 mm
	185-5378	2	1.250 mm		185-5406	2	1.950 mm
	185-5379	2	1.275 mm				
	185-5380	2	1.300 mm				

## Cylinder Head Cover (Spec A)

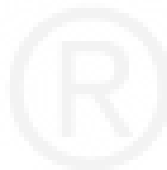


REF NO.	PART NO.	QTY USED	PART DESCRIPTION	REF NO.	PART NO.	QTY USED	PART DESCRIPTION
1	185-5527	1	Cover, Cylinder Head	8	185-5529	2	Nut
2	185-5528	1	Gasket, Cylinder Head Cover	9	185-2284	2	Gasket
3	185-5521	1	Plate, Breather Element	10	185-5407	2	Cover, Oil Fill
4	185-5522	1	Plate, Breather Element	11	185-7426	1	O'Ring
5	185-5523	1	Element, Breather	12	184-0065	1	Joint
6	185-5524	1	Shield, Breather Oil	13	185-6981	1	Cap
7	185-5747	2	Screw				

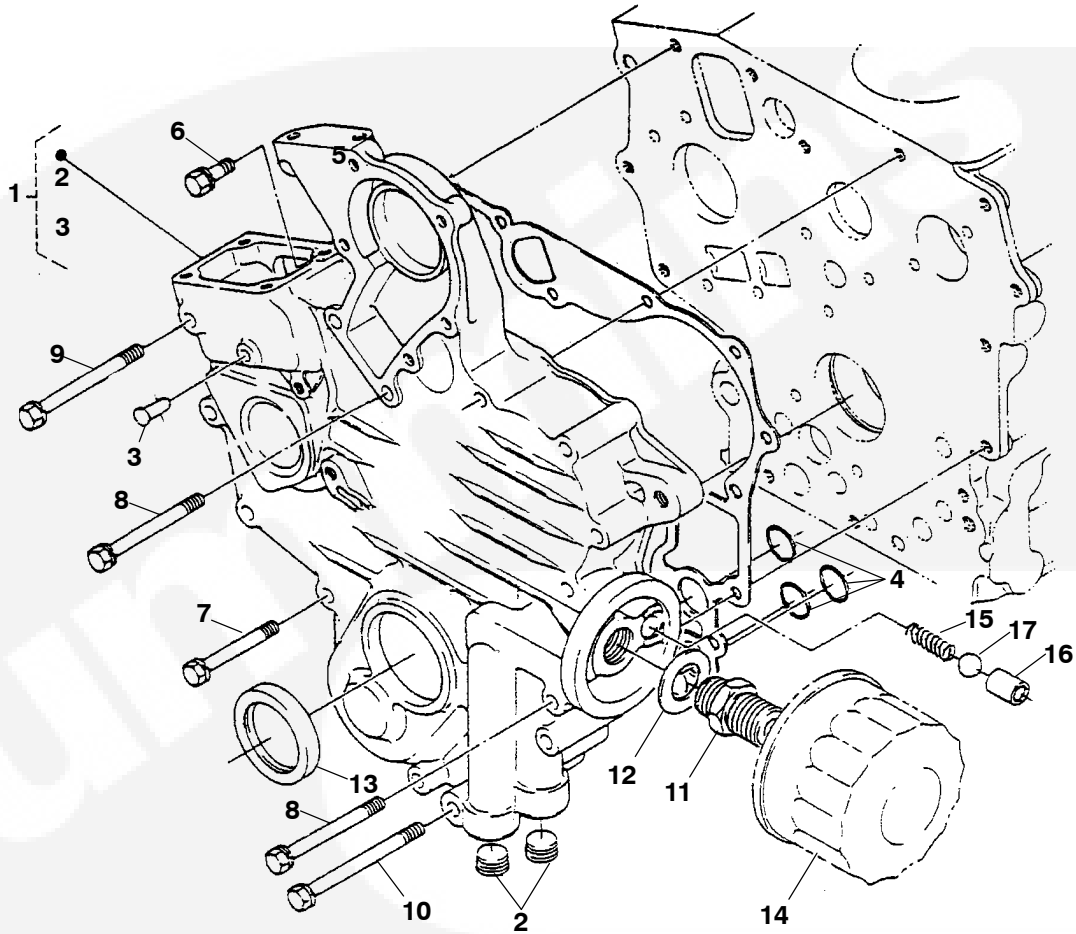
## Cylinder Head Cover (Begin Spec C)



REF NO.	PART NO.	QTY USED	PART DESCRIPTION	REF NO.	PART NO.	QTY USED	PART DESCRIPTION
1	134-5360	1	Cover, Cylinder Head	7	115-0516	1	Gasket, Rocker Cover
2	185-5719	1	Pipe, Water Return	8	800-6330	4	Bolt
3	123-2301	1	Comp. Valve Breather	9	123-2304	1	Tube, Breather
4	123-2302	1	Cover, Breather	10	185-5162	2	Clamp, Hose
5	185-2384	4	Screw, with Washer	11	123-2299	1	Plug, Oil Filler
6	123-2303	1	Shield, Breather	12	185-7426	1	O'Ring



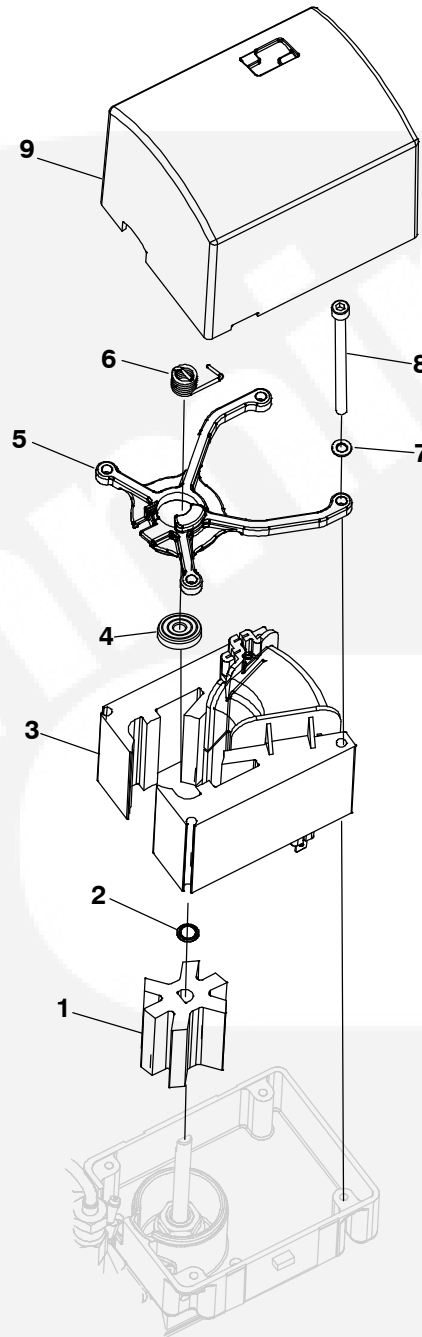
## Gearcase



REF NO.	PART NO.	QTY USED	PART DESCRIPTION	REF NO.	PART NO.	QTY USED	PART DESCRIPTION
1	184-0043	1	Gearcase (Includes Plugs and Pin)	9	185-2397	1	Bolt
2	185-2234	2	Plug	10	185-2398	1	Bolt
3	185-5506	1	Pin, Start Spring	11	185-2124	1	Joint, Pipe
4	184-0015	3	O'Ring	12	185-5508	1	Washer, Plain
5	185-7382	1	Gasket, Gearcase	13	185-5410	1	Seal, Oil
6	185-2389	1	Bolt	14	185-7444	1	Filter, Oil
7	185-7069	10	Bolt	15	185-5509	1	Spring
8	185-5507	1	Bolt	16	185-5510	1	Seat, Valve
				17	185-6711	1	Ball

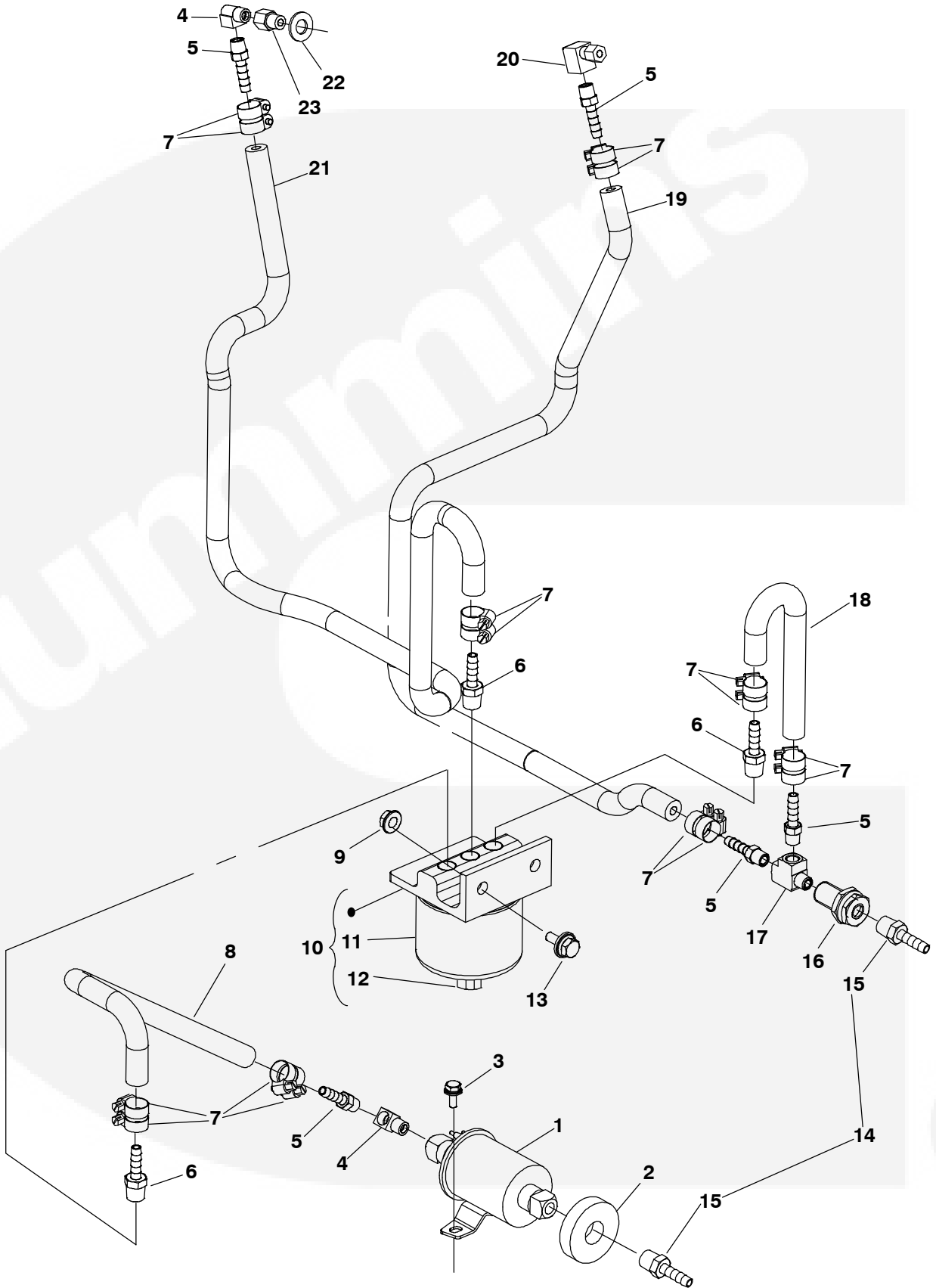


## Governor



REF NO.	PART NO.	QTY USED	PART DESCRIPTION	REF NO.	PART NO.	QTY USED	PART DESCRIPTION
1	150-2639	1	Rotor, Governor	6	150-2724	1	Spring, Governor
2	518-0672	1	Ring, Retainer	7	740-1002	4	Washer, Flat (M5)
3	150-2630	1	Stator	8	815-0877	4	Screw, Socket Head Cap
4	510-0184	1	Bearing, Ball	9	150-2641	1	Cover, Governor
5	150-2643	1	Carrier (Includes Carrier and Ball Bearing)				

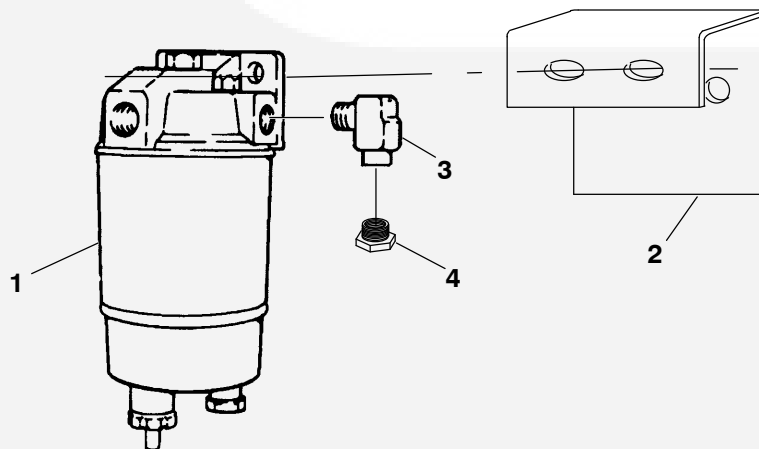
# Fuel Pump



## Fuel Pump

REF NO.	PART NO.	QTY USED	PART DESCRIPTION	REF NO.	PART NO.	QTY USED	PART DESCRIPTION
1	149-2646	1	Pump, Fuel	13	821-6003-01	2	Screw, Hex Head Sems (M8 x 1.25 x 16mm)
2	403-3860	1	Seal, Fuel Pump	14	149-2651	1	Kit, Fuel Adapter (Includes Connectors)
3	821-6002-02	2	Screw, Hex Head Sems (M6 x 1 x 12mm)	15	502-1367-03	2	Connector, Hose
4	502-0020	2	Elbow, Pipe	16	502-1244	1	Coupling, Anchor
5	502-1367-01	5	Connector, Hose	17	502-1368	1	Tee, Street (1/8 NPT)
6	502-1367-02	3	Connector, Hose	18	503-2200-01	1	Hose, Fuel (191.4mm)
7	503-2309	16	Clamp, Hose	19	503-2200-04	1	Hose, Fuel (784mm) (784mm)
8	503-2200-02	1	Hose, Fuel (336.8mm)	20	502-1224	1	Elbow, 90 Female
9	870-2055	2	Nut, Lock Flange (M8 x 1.25)	21	503-2200-03	1	Hose, Fuel (849.9mm)
10	149-2634-01	1	Filter Assy, Fuel (Includes Plug and Base)	22	526-0401	1	Washer, Flat
11	149-2106	1	Filter, Fuel (Includes Plug)	23	502-1177	1	Connector, Female
12	502-0028	1	Plug, Hex Head Pipe (1/8 NPT)				

## Remote Water Separator

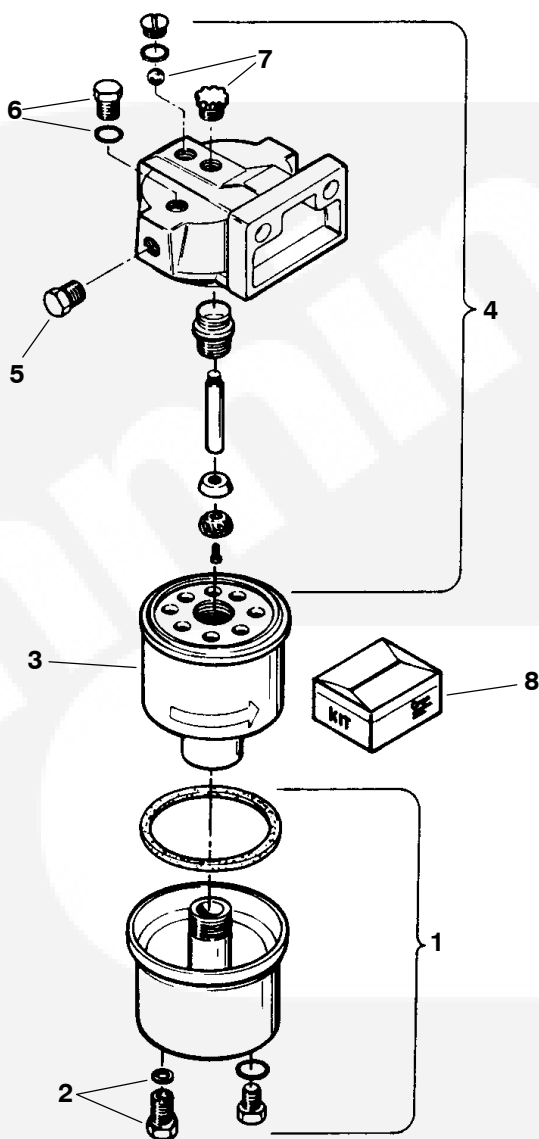


REF NO.	PART NO.	QTY USED	PART DESCRIPTION	REF NO.	PART NO.	QTY USED	PART DESCRIPTION
	149-2073	1	Kit, Remote Fuel/Water Separator	2	149-2041-03	1	Bracket, Separator Mounting
1	149-1908-05	1	Separator, Fuel/Water (See Separate Page for Components)	3	502-0020-01	1	Elbow, Street 90° (1/4 NPT)
				4	502-0029	1	Bushing, Pipe (1/4" to 1/8")

“Blank Page”

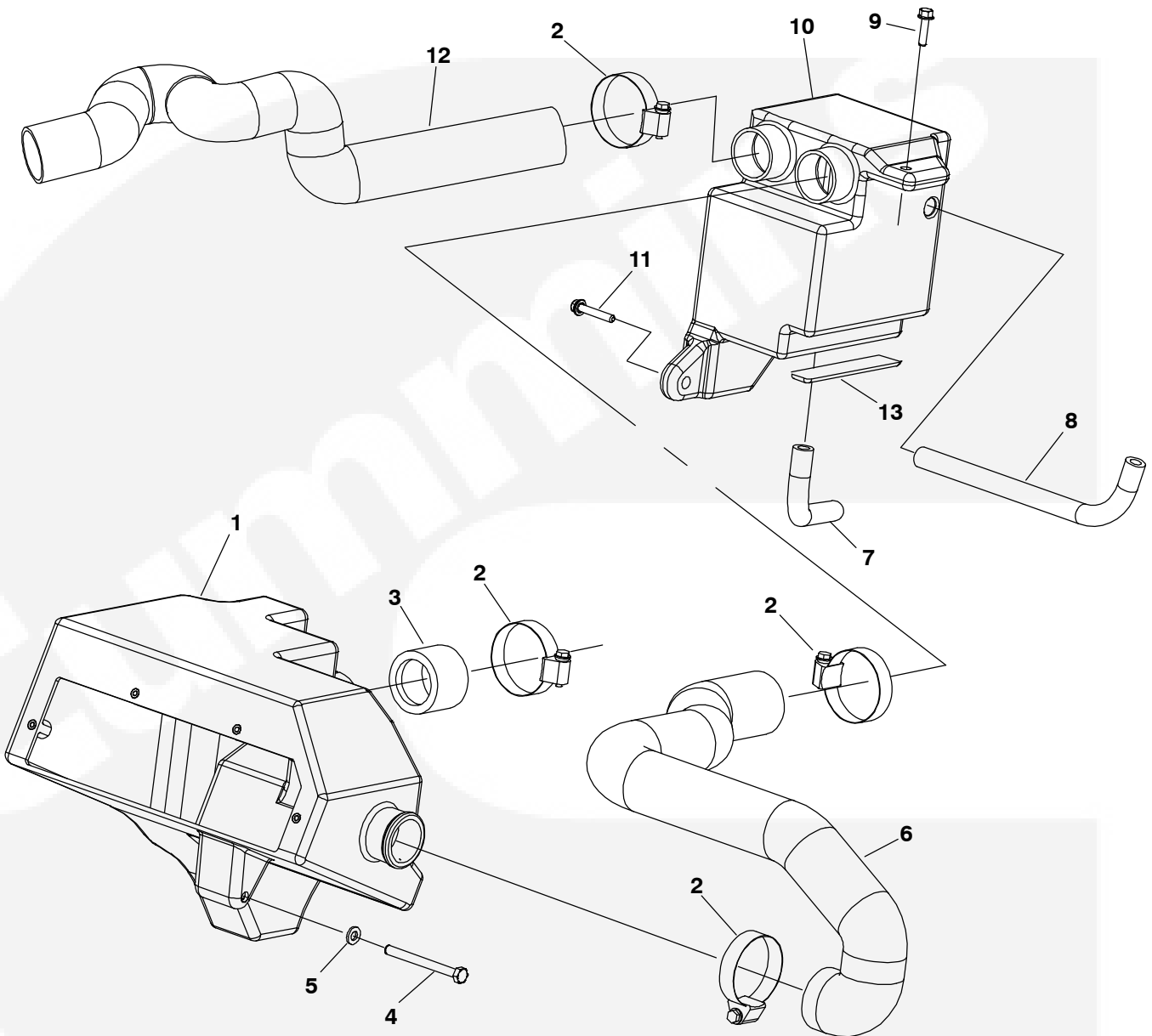


## Remote Water Separator Components



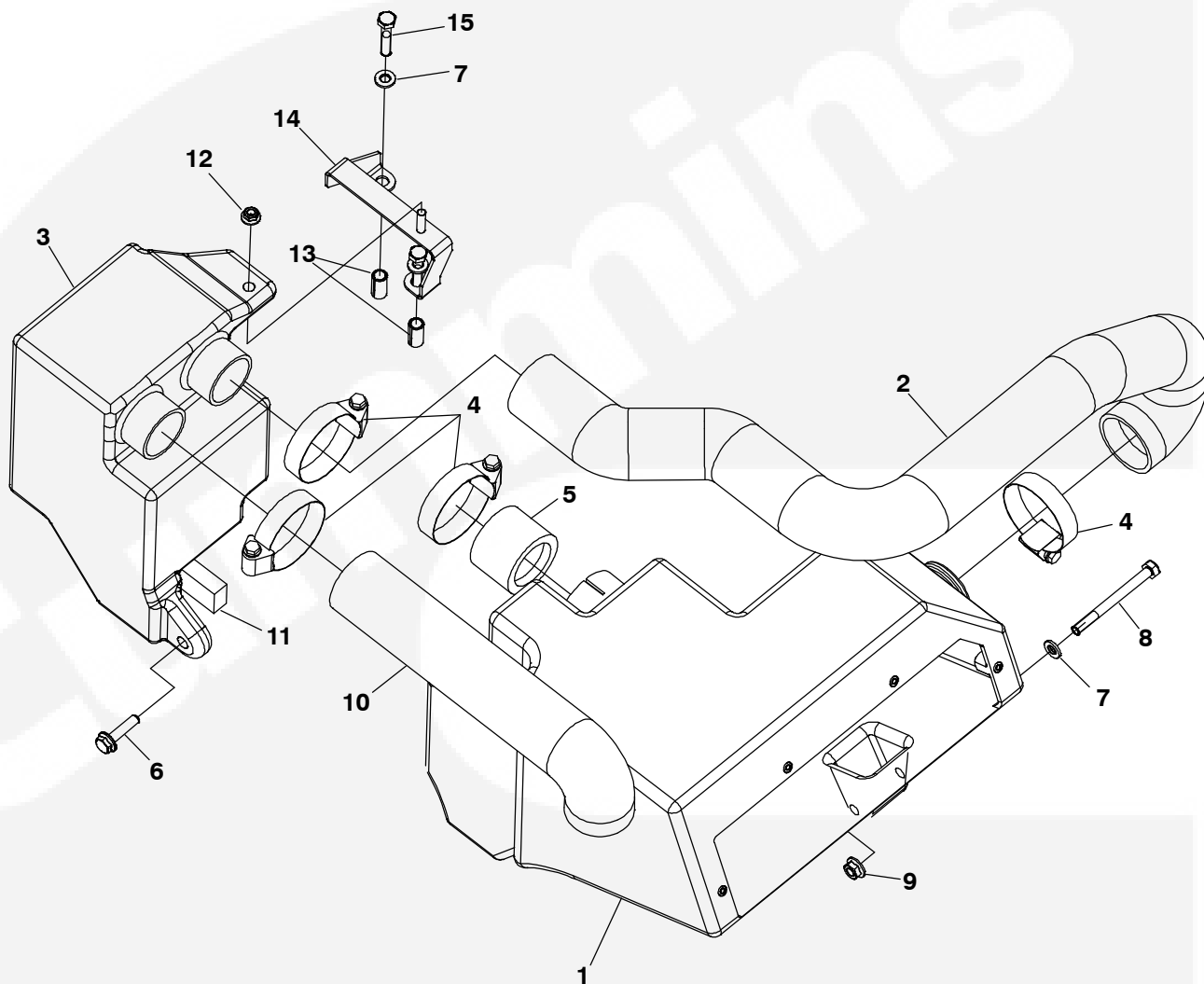
REF NO.	PART NO.	QTY USED	PART DESCRIPTION	REF NO.	PART NO.	QTY USED	PART DESCRIPTION
	149-1908-05	1	Separator, Water	5	502-0153	1	Plug, Hex (1/4")
1	149-2046	1	Kit, Metal Bowl Replacement (Includes Plug, O-Rings and Drain Assy)	6	149-1952	1	Plug, Vent (Includes O-Ring)
2	149-1953	1	Drain Assy (Includes Knob and Seal)	7	149-2047	1	Pump Assy (Includes Plunger, Retainer, Shaft, Check Ball, Knob and Screw)
3	149-1914-01	1	Element (Includes Seals)	8	149-2045	1	Kit, O'Ring (Includes Seal and Plunger)
4	149-1949	1	Head Assy, Replacement (Includes Vent Plug, O-Rings, Seal, Cap, Tube and Pump Assy)				

## Resonator (Spec A)



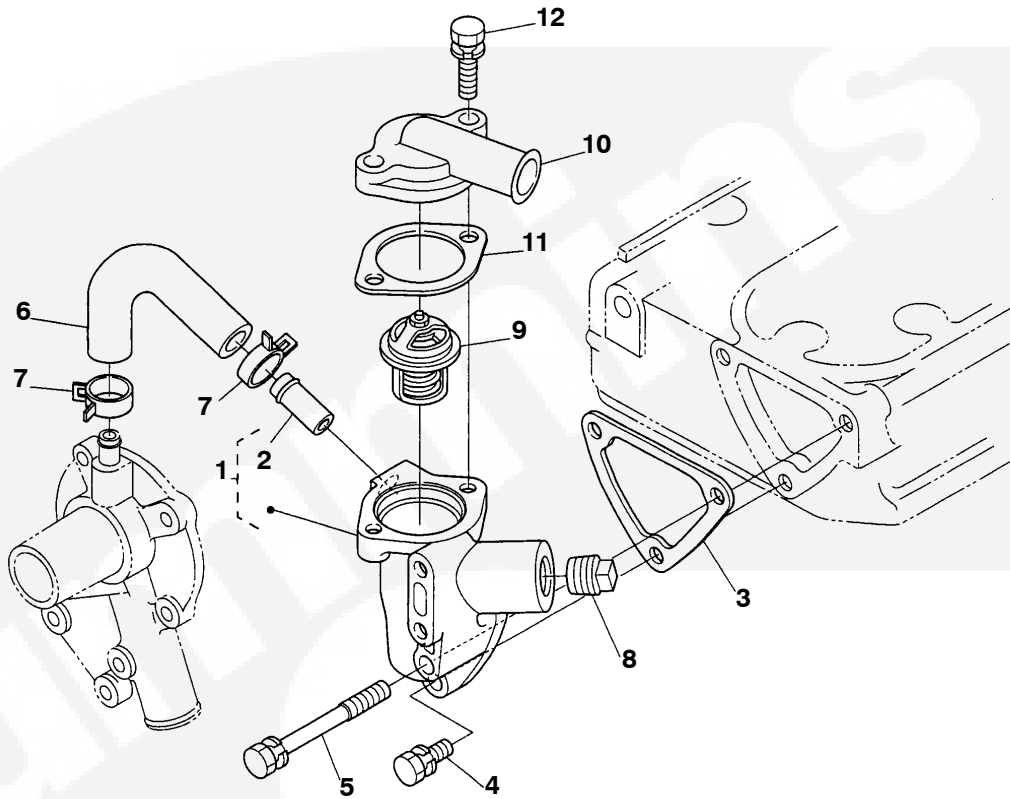
REF NO.	PART NO.	QTY USED	PART DESCRIPTION	REF NO.	PART NO.	QTY USED	PART DESCRIPTION
1	134-5261	1	Resonator, Intake	8	503-2165-01	1	Hose, Breather (220mm)
2	503-0429	4	Clamp, Hose	9	815-0793-05	1	Screw, Hex Flange
3	140-2898	1	Sleeve, Air Intake	10	134-5275	1	Resonator, Intake
4	800-2043	1	Screw, Hex Head Cap (M6 x 1 x 65mm)	11	821-2035	1	Screw, Lock Flange (M6 x 1 x 25mm)
5	526-2080	1	Washer, Flat (M6)	12	503-2192-01	1	Hose, Intake (530mm)
6	503-2206	1	Hose, Intake	13	895-0399	AR	Strip, Weather
7	503-2165-02	1	Hose, Breather				

## Resonator (Begin Spec C)



REF NO.	PART NO.	QTY USED	PART DESCRIPTION	REF NO.	PART NO.	QTY USED	PART DESCRIPTION
1	134-5261	1	Resonator, Intake	9	870-2065-02	1	Nut, Hex Flanged (M6 x 1mm)
2	503-2206	1	Hose, Intake	10	503-2192-01	1	Hose, Intake
3	134-5275-01	1	Resonator, Intake	11	821-2035	1	Tape, Weather Stripping
4	503-0429	4	Clamp, Hose	12	870-2065-01	1	Nut, Hex Flanged (M5 x 0.8mm)
5	140-2898	1	Sleeve, Air Intake	13	140-3821-02	1	Adapter, Intake Resonator
6	821-2035	1	Screw, Lock Flange (M6 x 1 x 25mm)	14	508-1228	2	Bushing
7	526-2080	3	Washer, Flat (M6)	15	800-2036	2	Screw, Hex Head Cap (M6 x 1.0 x 30mm)
8	800-2043	1	Screw, Hex Head Cap (M6 x 1 x 65mm)				

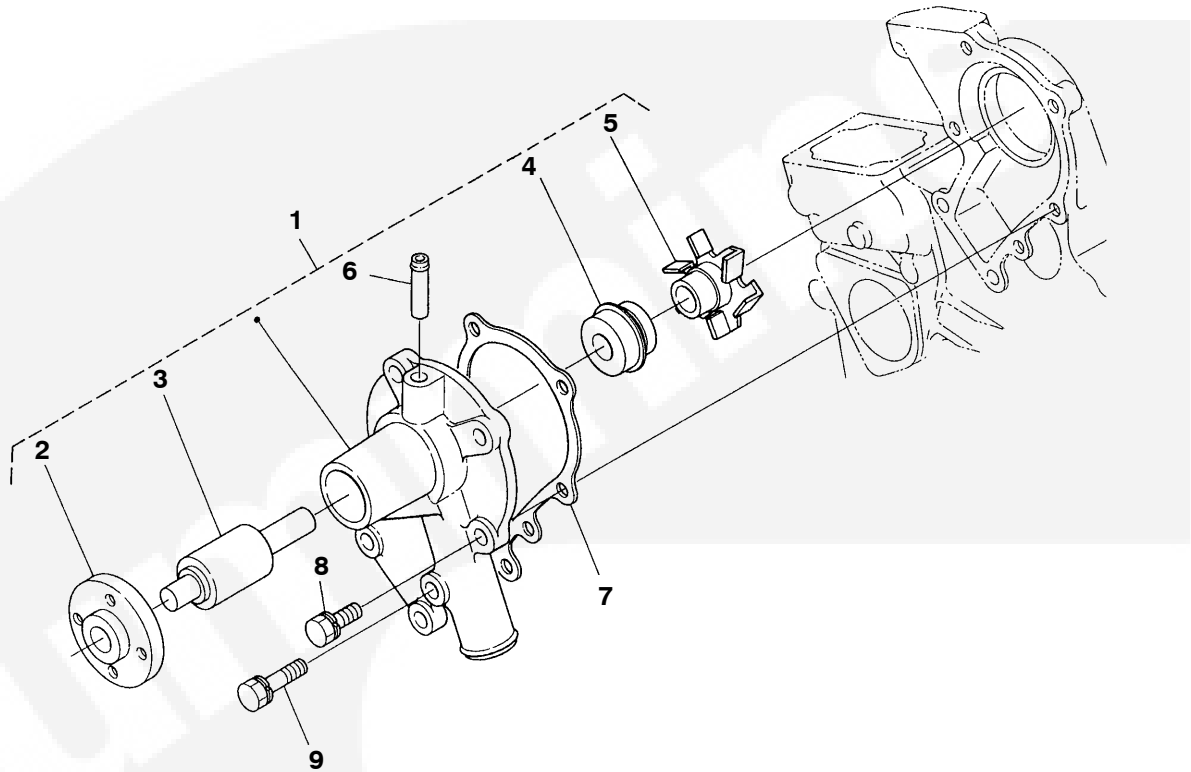
## Water Flange



REF NO.	PART NO.	QTY USED	PART DESCRIPTION	REF NO.	PART NO.	QTY USED	PART DESCRIPTION
1	184-0063	1	Flange, Water (Includes Pipe)	7	185-6667	2	Band, Pipe
2	185-5719	1	Pipe, Water Return	8	185-5826	1	Plug
3	185-7393	1	Gasket, Water Flange	9	185-5458	1	Thermostat
4	185-2388	1	Bolt	10	185-7208	1	Cover, Thermostat
5	185-7069	1	Bolt	11	185-2238	1	Gasket, Thermostat
6	184-0064	1	Pipe, Water Return	12	185-6677	2	Bolt



## Coolant Water Pump

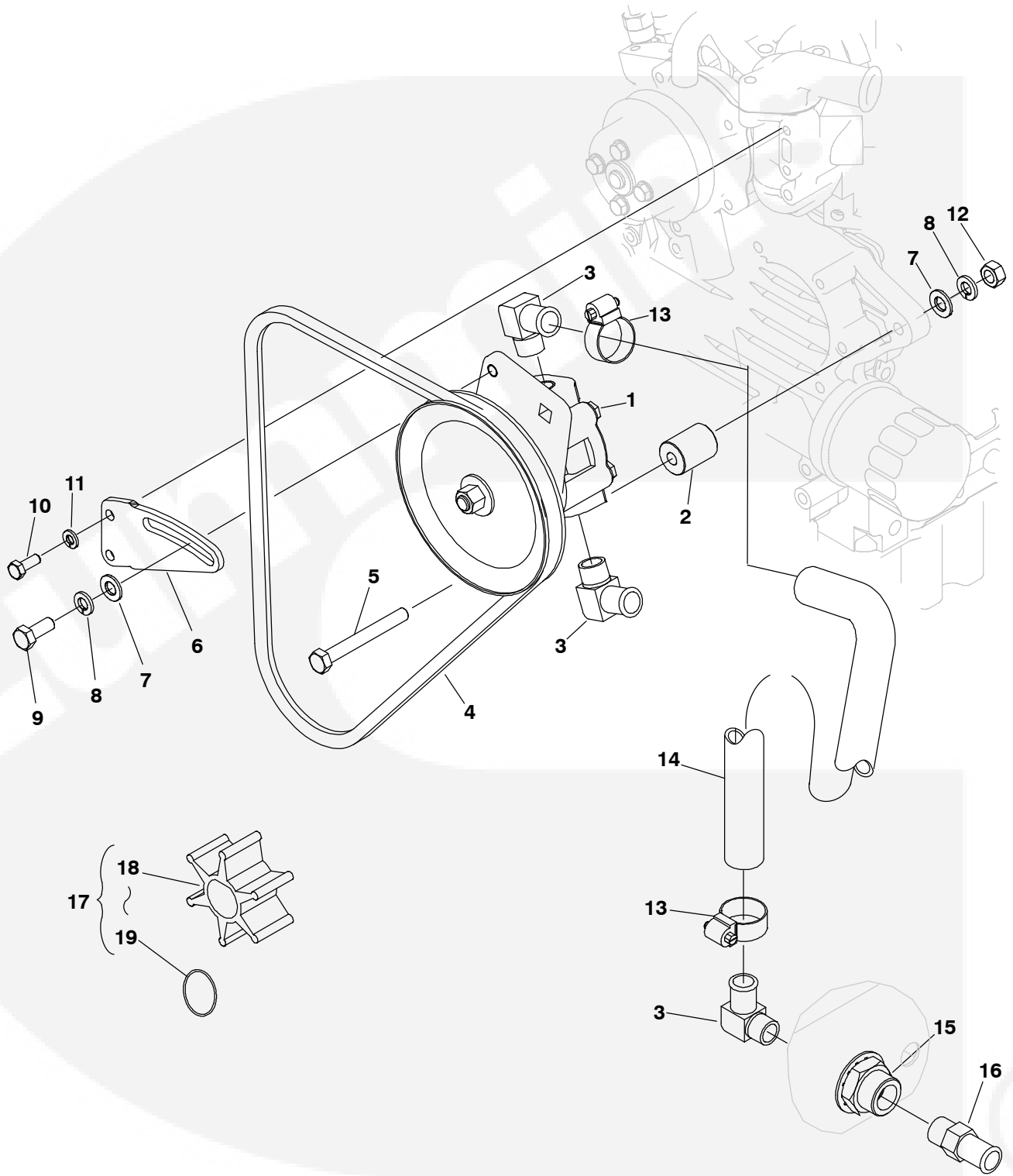


REF NO.	PART NO.	QTY USED	PART DESCRIPTION	REF NO.	PART NO.	QTY USED	PART DESCRIPTION
1	185-5433	1	Pump Assy, Water (Includes Parts Marked *)	7	185-5434	1	Gasket, Water Pump
2	185-5712	1	*Flange	8	185-2559	2	Bolt
3	185-5713	1	*Bearing	9	185-5717	2	Bolt
4	185-5714	1	*Seal Assy, Mechanical				
5	185-5715	1	*Impeller, Water Pump				
6	185-5716	1	*Pipe, Water Return				

\* - Parts Included in Water Pump Assy.



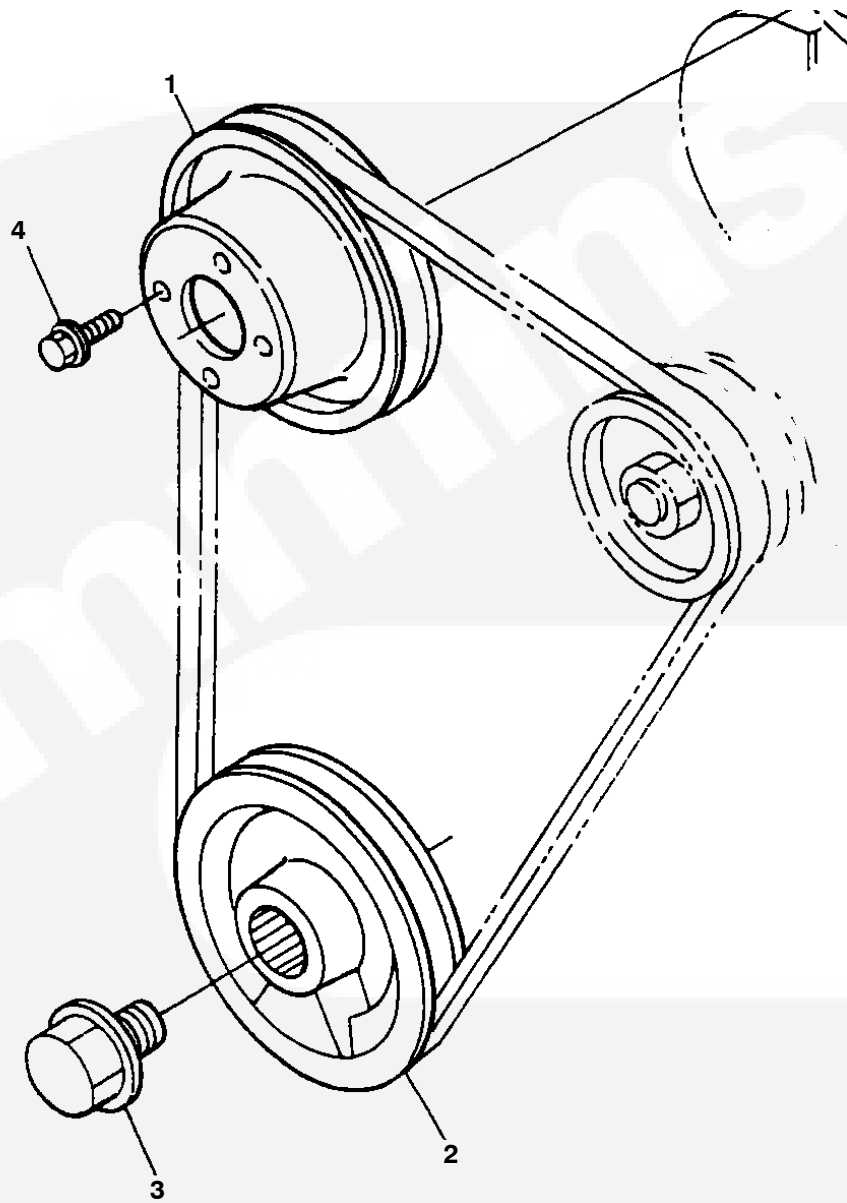
# Raw Water Pump



## Raw Water Pump

REF NO.	PART NO.	QTY USED	PART DESCRIPTION	REF NO.	PART NO.	QTY USED	PART DESCRIPTION
1	132-0430	1	Pump, Water (Supersedes 132-0395)	11	850-0114-53	2	(M6 x 16mm) Washer, Lock (M6)
2	132-0411-01	1	Spacer, Water Pump	12	750-1006	1	Nut, Hex (M8)
3	502-0942	3	Elbow, 90° Hose (3/8 NPT x 5/8 Hose)	13	503-1135	2	Clamp, Hose
4	511-0197	1	Belt, "V"	14	503-2193	1	Hose, Coolant
5	800-3017-29	1	Screw, Hex Head Cap (M8 x 70mm)	15	502-1209	1	Coupling, Union
6	130-5188-02	1	Bracket, Mounting	16	502-0943	1	Connector, Hose
7	526-0122	2	Washer, Flat (M8)	17	132-0415	1	Kit, Water Pump Service (Includes Impeller and O'Ring)
8	850-2008	2	Washer, Lock (M8)	18	132-0407	1	Impeller, Pump
9	800-3017-19	1	Screw, Hex Head Cap (M8 x 20mm)	19	132-0410	1	O'Ring
10	800-3017-03	2	Screw, Hex Head Cap	<b>NOTE:</b> See Service Kit on Page 80 for 132-0430 Water Pump See Service Kit on Page 79 for 132-0395 Water Pump			

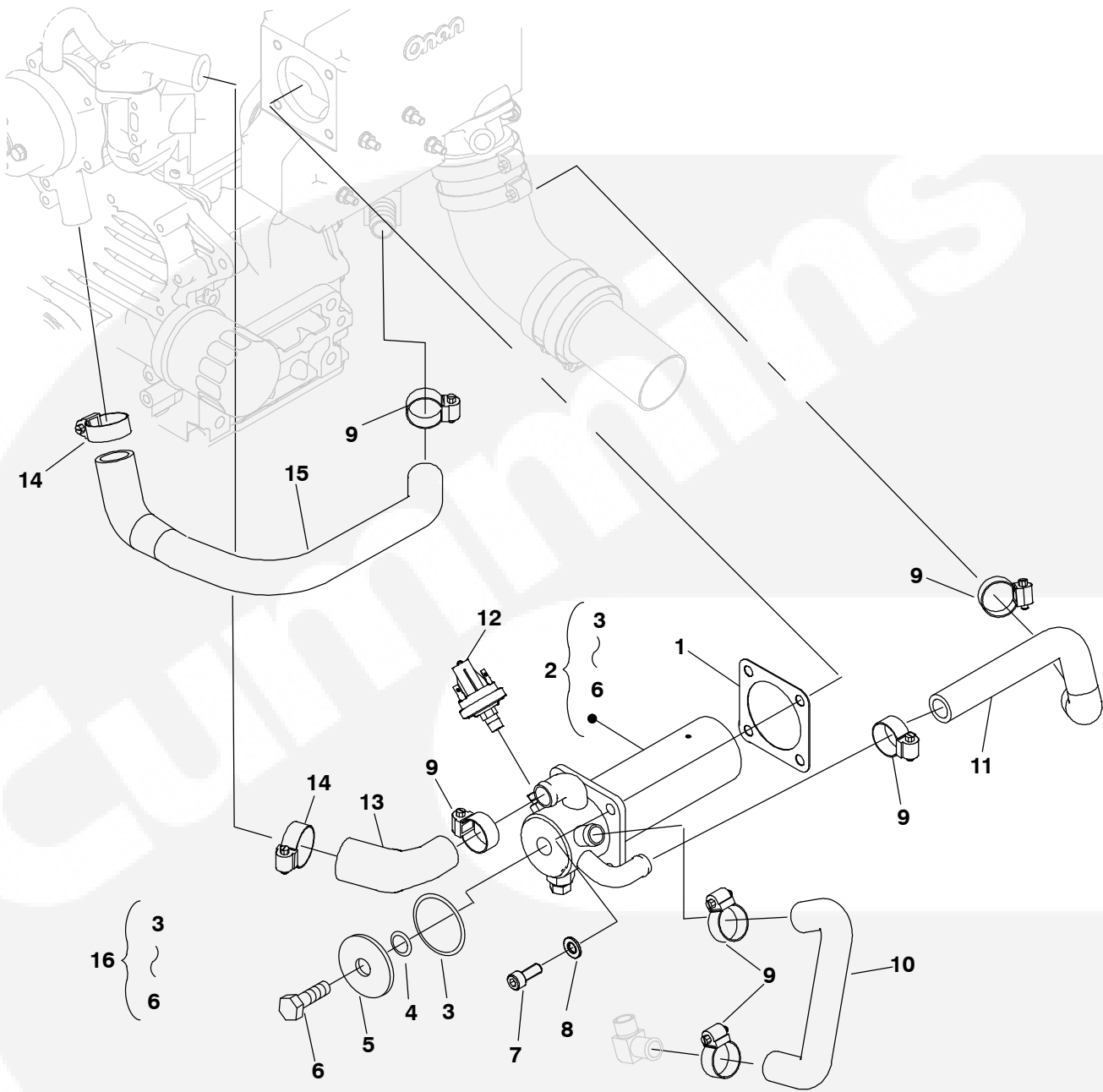
## Pulley



REF NO.	PART NO.	QTY USED	PART DESCRIPTION	REF NO.	PART NO.	QTY USED	PART DESCRIPTION
1	185-5707	1	Pulley, Fan	3	185-5709	1	Bolt, Flange
2	184-0050	1	Pulley, Fan Drive	4	185-2572	4	Bolt, Flange



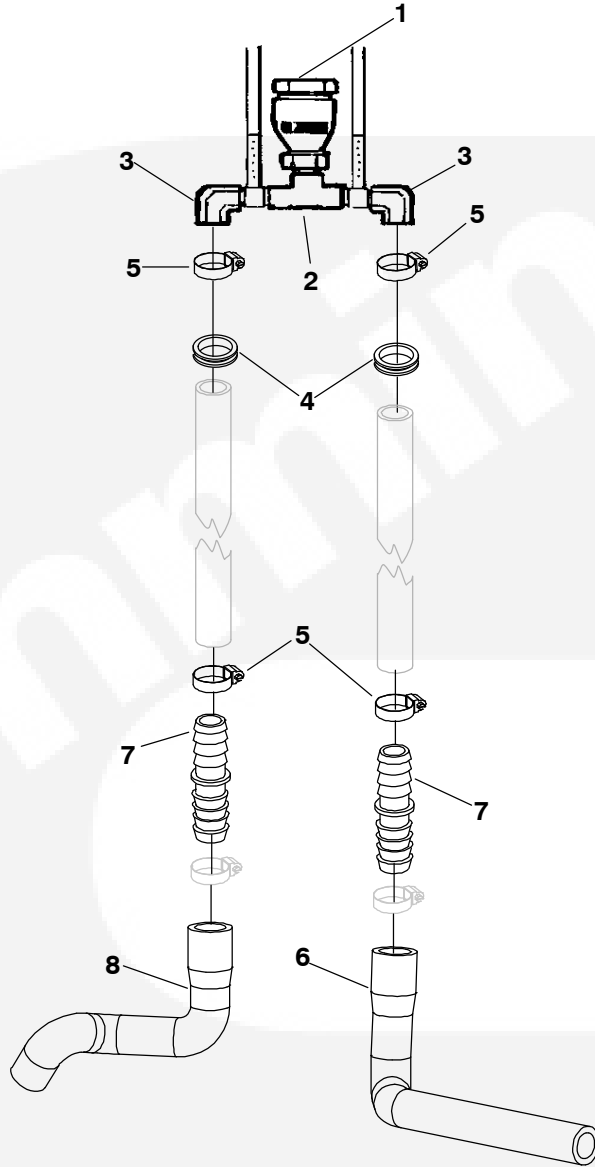
## Heat Exchanger



REF NO.	PART NO.	QTY USED	PART DESCRIPTION	REF NO.	PART NO.	QTY USED	PART DESCRIPTION
1	130-5139	1	Gasket, Heat Exchanger	10	503-2162	1	Hose, Coolant
2	130-5138	1	Exchanger, Heat (Includes Gasket, O'Ring, Cover, and Screw )	11	503-2189	1	Hose, Coolant
3	130-5170	1	*Gasket, End Cover	12	309-0667	1	Switch, Pressure
4	509-0351	1	*O'Ring	13	503-2160	1	Hose, Coolant
5	130-5169	1	*Cover, End	14	503-1136	2	Clamp, Hose
6	800-0317	1	*Screw, Hex Head (5/16-18)	15	503-2161	1	Hose, Coolant
7	725-1050	4	Screw, Socket, Head Cap (M8 x 20mm)	16	130-5176	1	Kit, Cap (Includes Parts Marked *)
8	526-0122	4	Washer, Flat (M8)				
9	503-1135	6	Clamp, Hose				

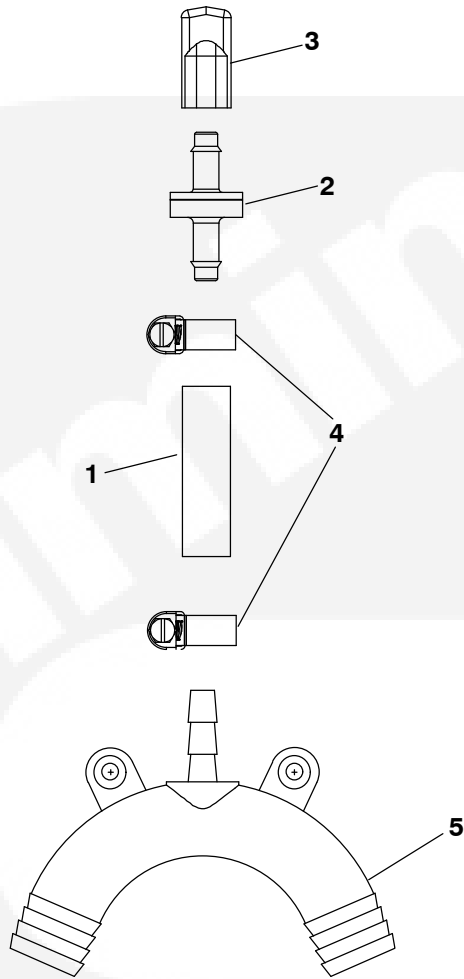
\* - Parts Included in Heat Exchanger Cap Kit.

## Vacuum Relief Valve



REF NO.	PART NO.	QTY USED	PART DESCRIPTION	REF NO.	PART NO.	QTY USED	PART DESCRIPTION
	155-3463	1	Kit, Siphon Break Obsolete	4	508-0117	2	Grommet
1	504-0062	1	Valve, Vacuum Relief (1/2")	5	503-0977	4	Clamp, Hose (#10)
2	502-0161	1	Tee (1/2")	6	503-2212	1	Hose, Coolant (3/4")
3	502-0915	2	Elbow, 90° Hose (1/2" to 3/4")	7	502-1383	2	Union, Hose (3/4" x 3/4")
				8	503-2213	1	Hose, Coolant (3/4")

## Break Siphon Kit

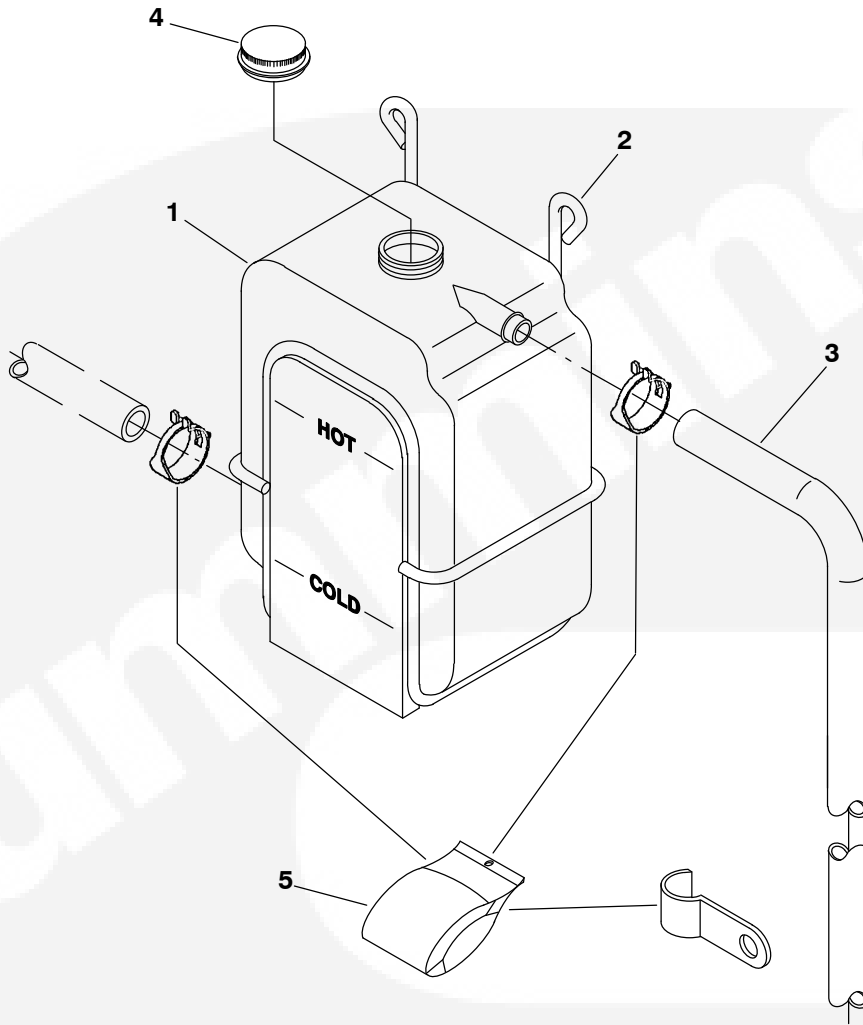


REF NO.	PART NO.	QTY USED	PART DESCRIPTION	REF NO.	PART NO.	QTY USED	PART DESCRIPTION
	541-0876-02	1	Kit, Siphon Break	8	503-2396	1	Hose, Coolant
1	503-2352	1	Hose, Coolant	9	503-2213	2	Hose, Coolant
2	504-0223	1	Valve, Check	10	502-1383	1	Union, Hose (3/4" x 3/4")
3	502-1425-02	2	Cap, Tube				
4	503-2309	1	Clamp, Hose				
5	502-1463	8	Connector, Hose				
6	503-0977	2	Clamp, Hose				
7	155-1252	1	Grommet				

\* - Parts not shown in Assembly view are shipped loose in kit.



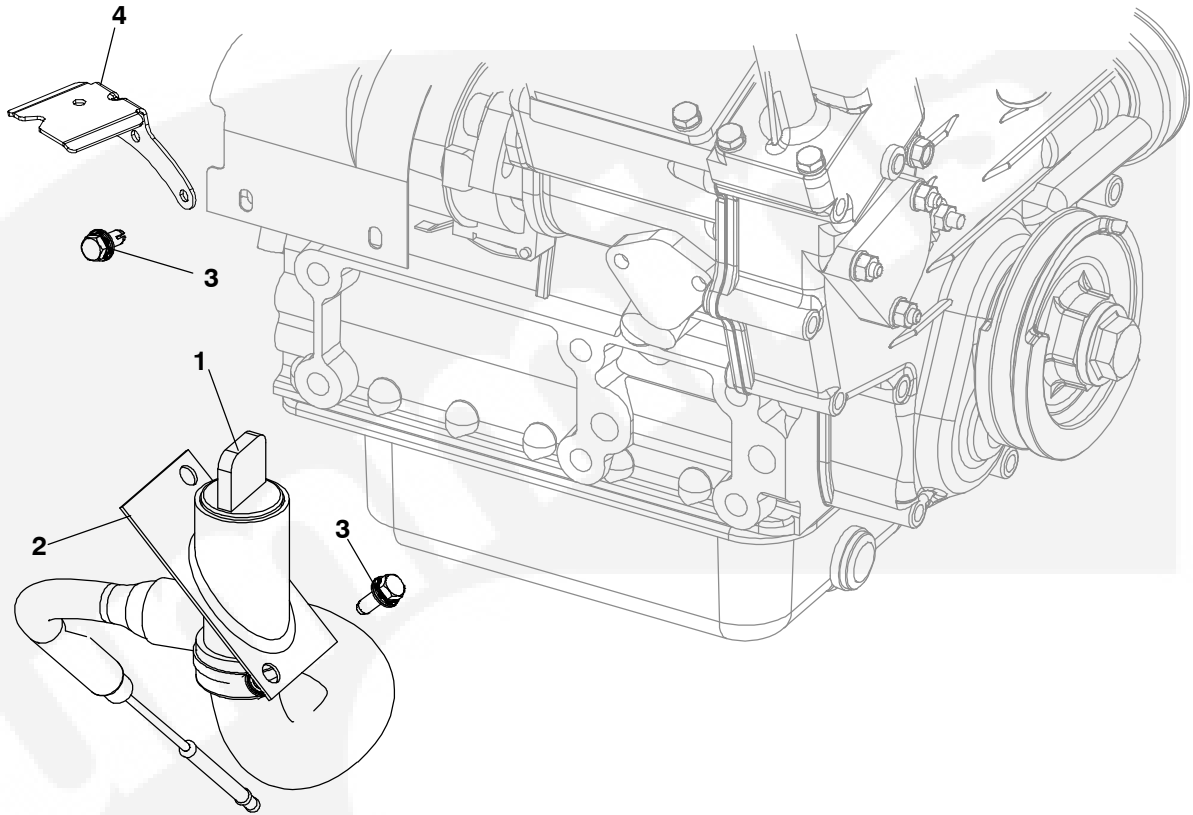
## Coolant Recovery



REF NO.	PART NO.	QTY USED	PART DESCRIPTION	REF NO.	PART NO.	QTY USED	PART DESCRIPTION
	130-3574	1	Kit, Coolant Recovery	4	130-3572	1	Cap, Tank
1	130-3570	1	Tank, Coolant Recovery	5	130-3573	1	Hardware Package (Includes Mounting Hardware)
2	130-3571	1	Hanger, Tank				
3	503-1692	1	Hose (5/16 I.D. x 120" Lg.)				



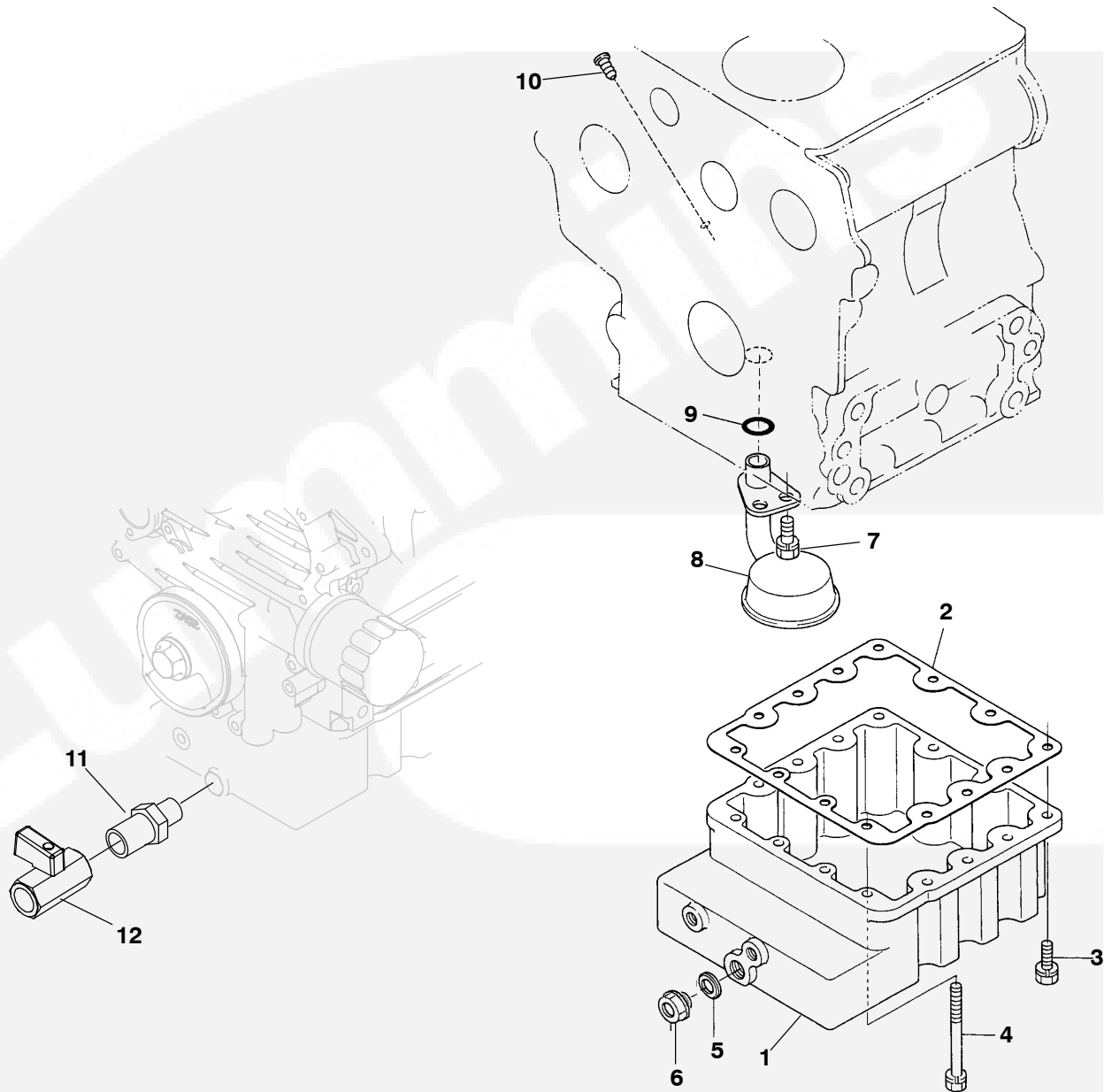
## Oil Fill Tube



REF NO.	PART NO.	QTY USED	PART DESCRIPTION
1	123-2236	1	Indicator, Oil
2	123-2345	1	Tube, Oil
3	821-6006-01	4	Screw, Hex Head Sems (M6 x 1 x 16mm)
4	403-6463-01	1	Bracket



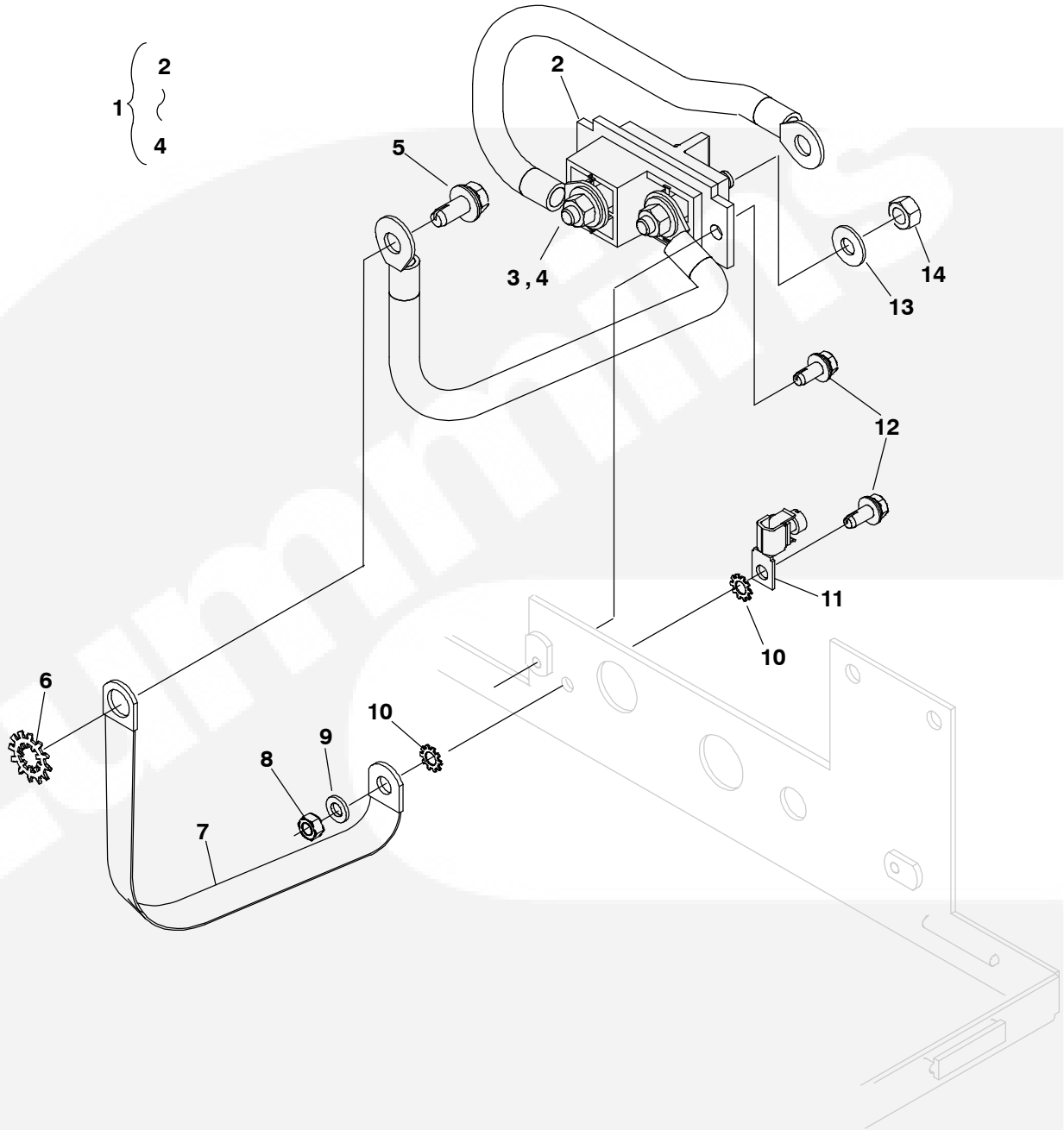
# Oil Pan



REF NO.	PART NO.	QTY USED	PART DESCRIPTION
1	184-0047	1	Pan, Oil
2	184-0039	1	Gasket, Oil Pan
3	185-2389	10	Bolt
4	184-0011	4	Bolt
5	185-2343	1	Gasket
6			Plug
	185-2096	1	(Obsolete)
	517-0386	1	Begin Spec C

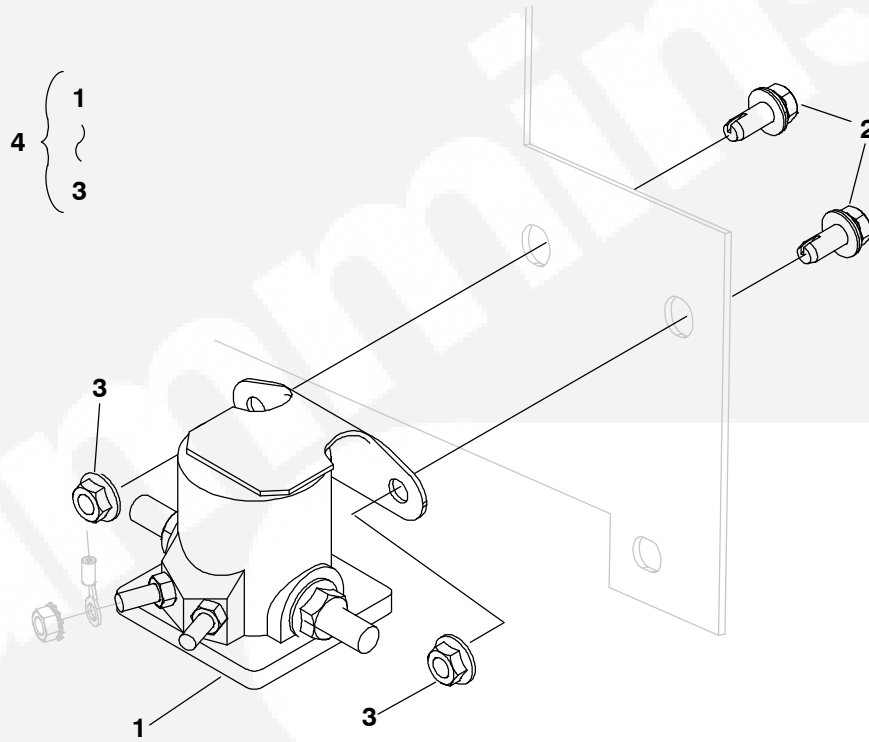
REF NO.	PART NO.	QTY USED	PART DESCRIPTION
7	185-6956	1	Bolt
8	184-0048	1	Pickup, Oil
9	185-7421	1	O'Ring
10	505-2318	1	Plug, Oil Gauge
11	102-1485	1	Adapter, Oil Drain
12	504-0206	1	Valve, Ball

## Battery Harness



REF NO.	PART NO.	QTY USED	PART DESCRIPTION	REF NO.	PART NO.	QTY USED	PART DESCRIPTION
1	338-3987	1	Harness, Battery (Includes Terminal Block, 2 Washers 2 Nuts, and Cables)	8	750-1004	1	Nut, Hex (M6)
2	332-3408	1	Block, Terminal	9	526-2081	1	Washer, Flat
3	526-0054	2	Washer, Flat (5/16")	10	853-0013	2	Washer, Lock ET
4	871-0025	2	Nut, Hex (.313-18)	11	332-0142	1	Lug, Solderless
5	815-0586	1	Screw, Hex Head Cap (M10 x 1.25 x 16mm)	12	821-6006-01	3	Screw, Hex Head Sems (M6 x 1 x 16mm)
6	856-0012	1	Washer, Lock ET	13	526-0054	2	Washer, Flat (5/16")
7	337-2785	1	Strap, Bond	14	871-0025	2	Nut, Hex Brass (5/16-18)

## Relay (Isolated Ground)



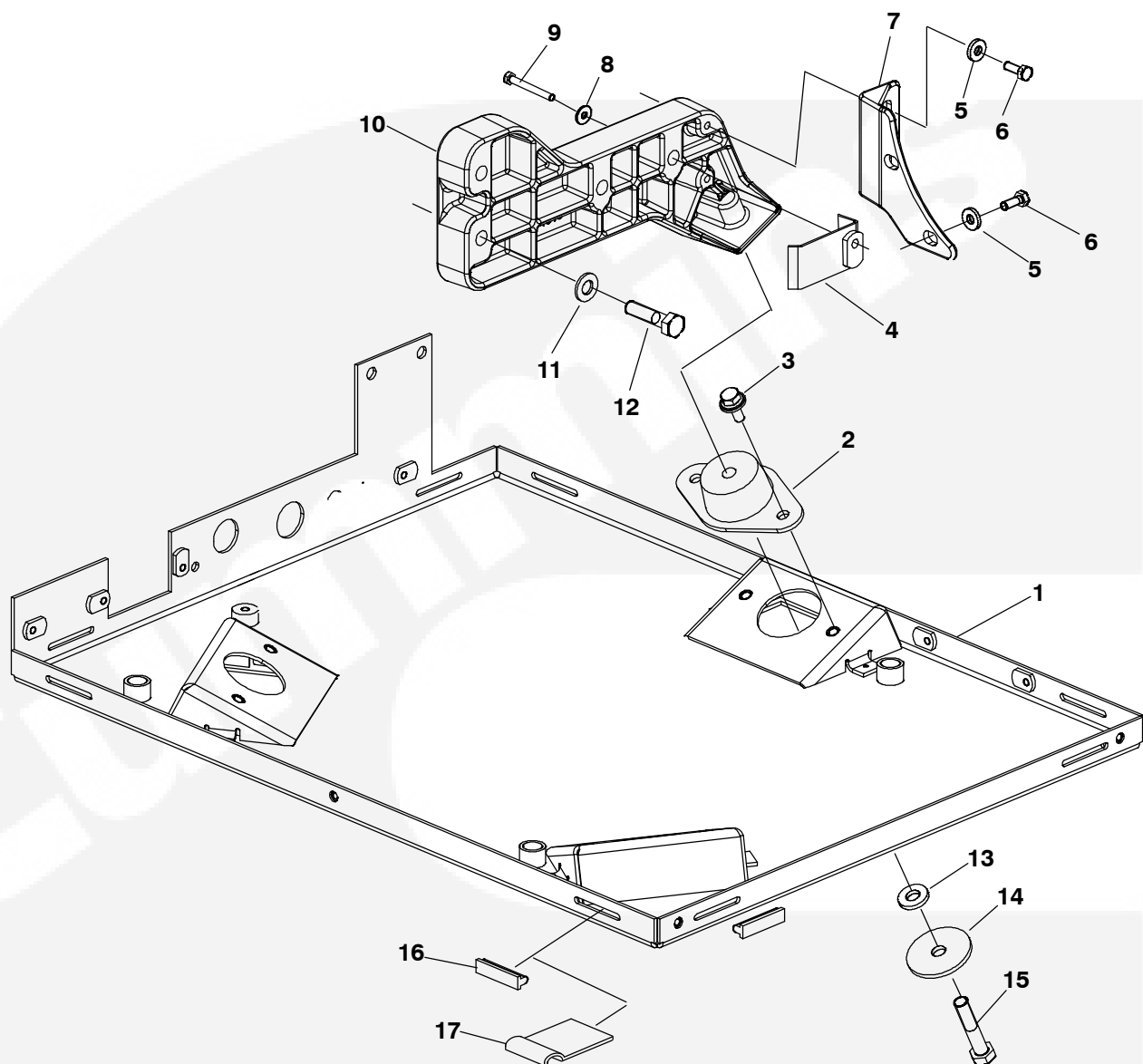
REF NO.	PART NO.	QTY USED	PART DESCRIPTION
1	307-1617	1	Relay
2	821-6006-01	2	Screw, Hex Head Sems (M6 x 16)
3	870-2065-02	2	Nut, Hex Flange (M6)
4	300-5464	1	Kit, Isolated Ground (Includes Parts Listed Above and Water Temperature Sender Listed on Cylinder Head Page, and Oil Pressure Sender [with Hardware] Listed on Cylinder Block Page)



“Blank Page”

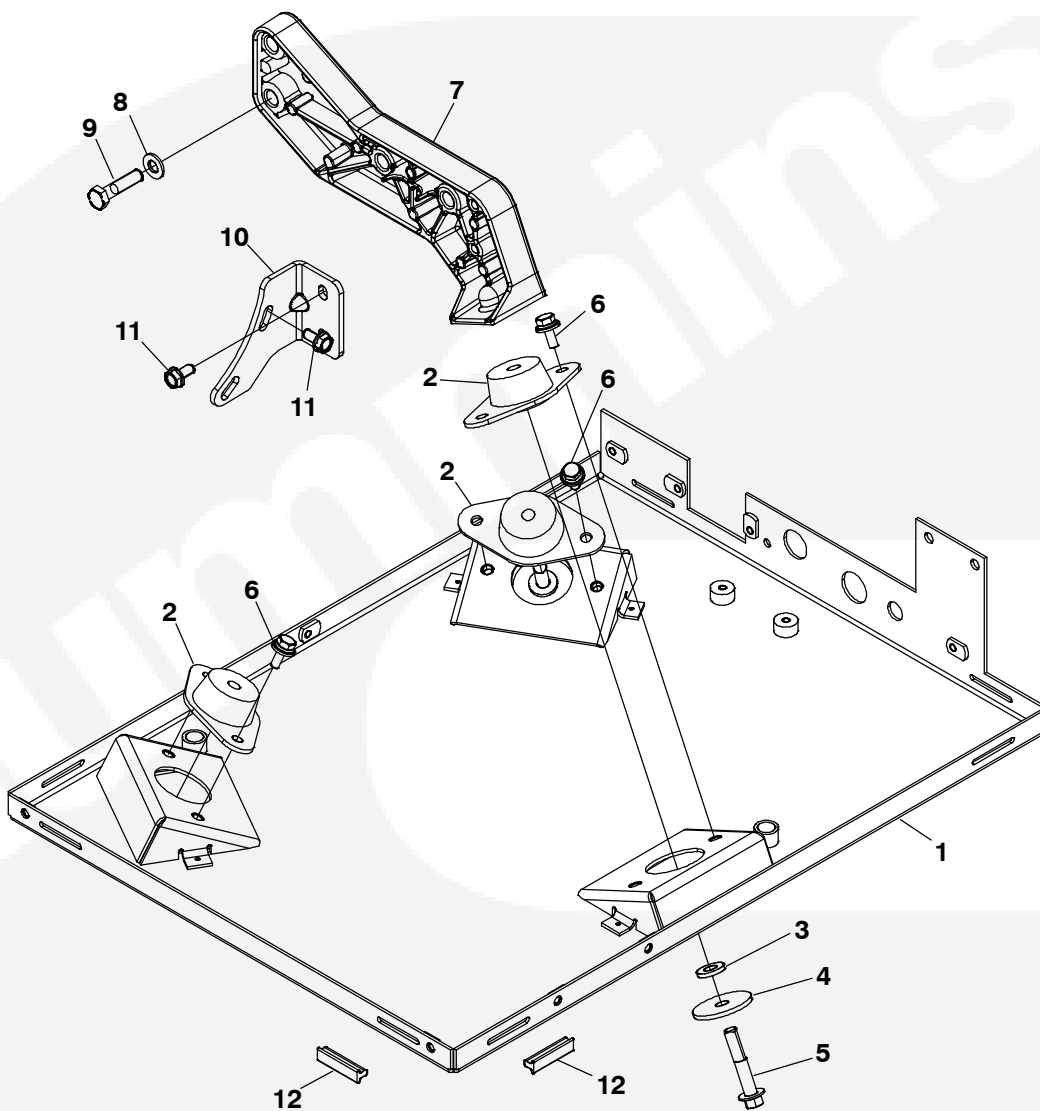


## Drip Pan (Spec A)



REF NO.	PART NO.	QTY USED	PART DESCRIPTION	REF NO.	PART NO.	QTY USED	PART DESCRIPTION
1	403-4541-02	1	Pan, Drip	10	403-4474-01	1	Bracket, Engine Mount
2	402-0728-01	3	Isolator, Vibration	11	526-2120	3	Washer, Flat (M10)
3	821-6003-01	6	Screw, Hex Head Sems (M8 x 1.25 x 16mm)	12	800-3006	3	Screw, Hex Head Cap (M10 x 1.25 x 40mm)
4	503-2209-02	1	Clamp, Fuel Hose	13	526-0030	3	Washer, Flat (3/8")
5	526-1271	4	Washer, Flat (1/4" Obsolete)	14	526-0324	3	Washer, Flat (3/8")
6	718-1020	4	Screw, Hex Head Cap (M6 x 1 x 16mm)	15	815-0842-09	3	Screw, Hex Head Cap (M10 x 1.5 x 50mm)
7	403-4475-02	1	Bracket, Engine Generator	16	405-6776	8	Seal, Enclosure
8	526-0021	1	Washer, Plain (1/4")	17	405-6580-02	4	Clip, Holddown
9	800-2040	1	Screw, Hex Head Cap (M6 x 1 x 50mm)				

## Drip Pan (Begin Spec B)



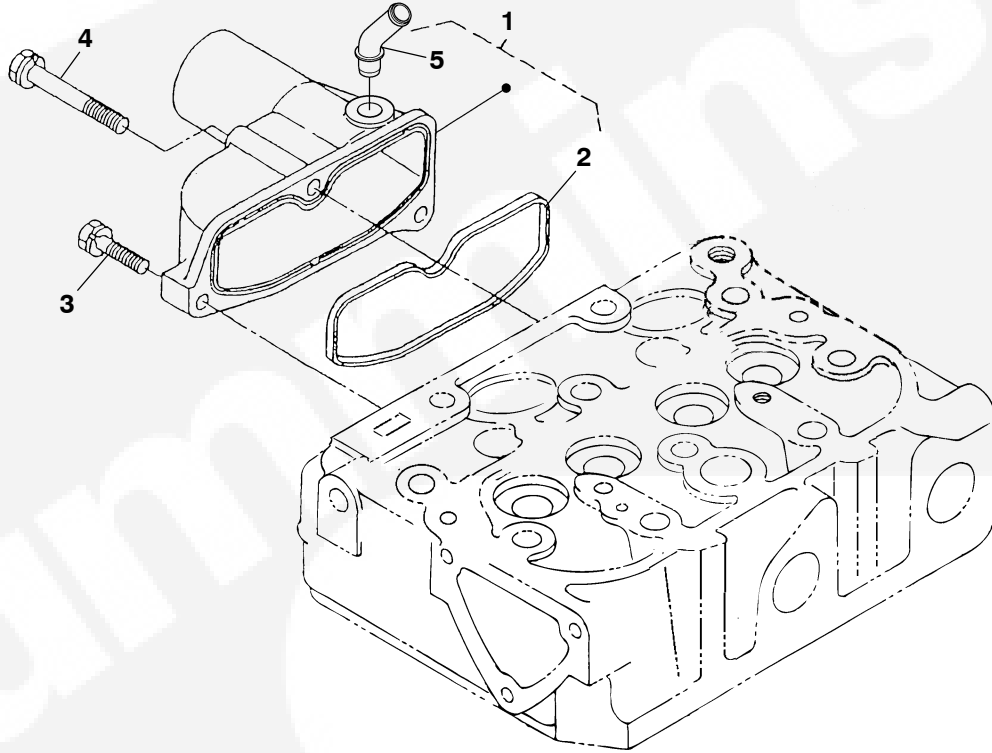
REF NO.	PART NO.	QTY USED	PART DESCRIPTION	REF NO.	PART NO.	QTY USED	PART DESCRIPTION
1	403-4541-02	1	Pan, Drip	7	403-4605	1	Bracket, Engine Mount
2	402-0728-01	3	Isolator, Vibration	8	526-2120	3	Washer, Flat (M10)
3	526-0030	3	Washer, Flat (3/8")	9	800-3006	3	Screw, Hex Head Cap (M10 x 1.25 x 40mm)
4	526-0324	3	Washer, Flat (3/8")	10	403-4635-04	1	Bracket, Engine Generator
5	815-0842-09	3	Screw, Hex Head Thread Form (M10 x 1.5)	11	815-0709-01	4	Screw, Hex Head Thread Form (M8 x .25 x 18mm)
6	821-6003-01	6	Screw, Hex Head Sems (M8 x 1.25 x 16mm)	12	405-6776	8	Seal, Enclosure

“Blank Page”



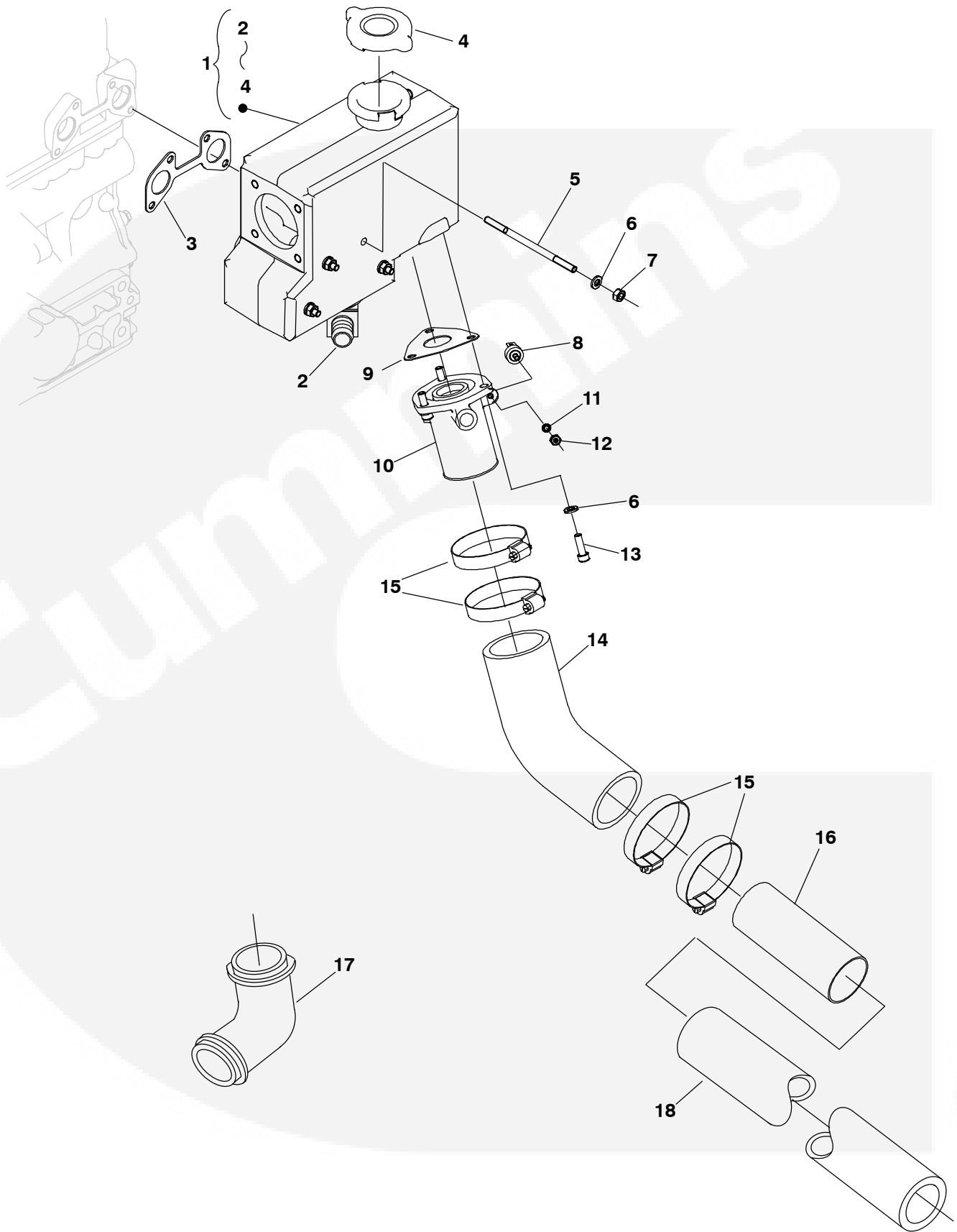


## Inlet Manifold



REF NO.	PART NO.	QTY USED	PART DESCRIPTION	REF NO.	PART NO.	QTY USED	PART DESCRIPTION
1			Manifold Assy, Inlet (Includes Gasket)	3	185-2389	2	Bolt
	185-5531	1	Spec A	4	185-5833	1	Bolt
	154-3205	1	Begin Spec C	5	123-2300	1	Pipe, Breather (Spec C)
2	185-5335	1	Gasket, Inlet Manifold				

# Muffler

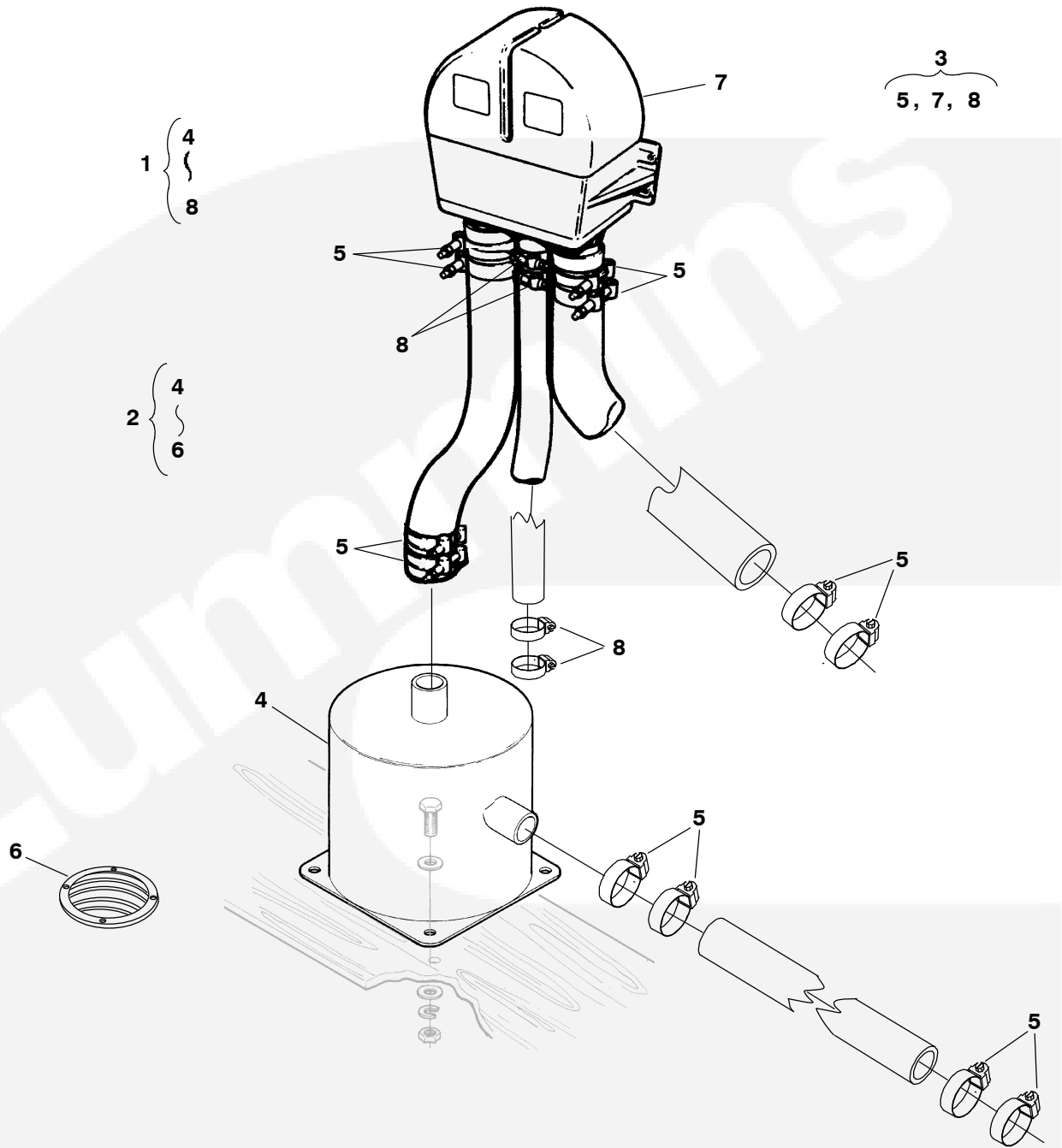


## Muffler

REF NO.	PART NO.	QTY USED	PART DESCRIPTION	REF NO.	PART NO.	QTY USED	PART DESCRIPTION
	541-0899	1	Kit, Exhaust (Part Included Marked *)	9	155-3061	1	Gasket, Exhaust
1	154-3073-01	1	Manifold Assy, Exhaust (Includes Filler Neck and Elbow)	10	154-3163	1	Mixer, Exhaust
				11	850-0025	1	Washer, Split Lock (#8)
				12	860-0008	1	Nut, Hex (#8-32)
				13	802-2068	3	Screw, Socket, Head (M6 x 1 x 20mm)
2	502-1338	1	Elbow	14	503-2177	1	Hose, Exhaust
3	185-6851	1	Gasket, Exhaust Manifold	15	503-1142	4	Clamp, Hose
4	130-3721	1	Cap, Radiator	16	154-2699	1	Tube, Exhaust
5	520-1021	4	Stud	17	155-2033	1	Elbow, 90° Exhaust (2")
6	740-1004	7	Washer, Flat (M6)	18	503-1353	1	Hose, Exhaust (2" x 10')
7	862-0026-54	4	Nut, Hex (M6 x 1)				
8	309-0597-01	1	Switch, Exhaust Temperature				

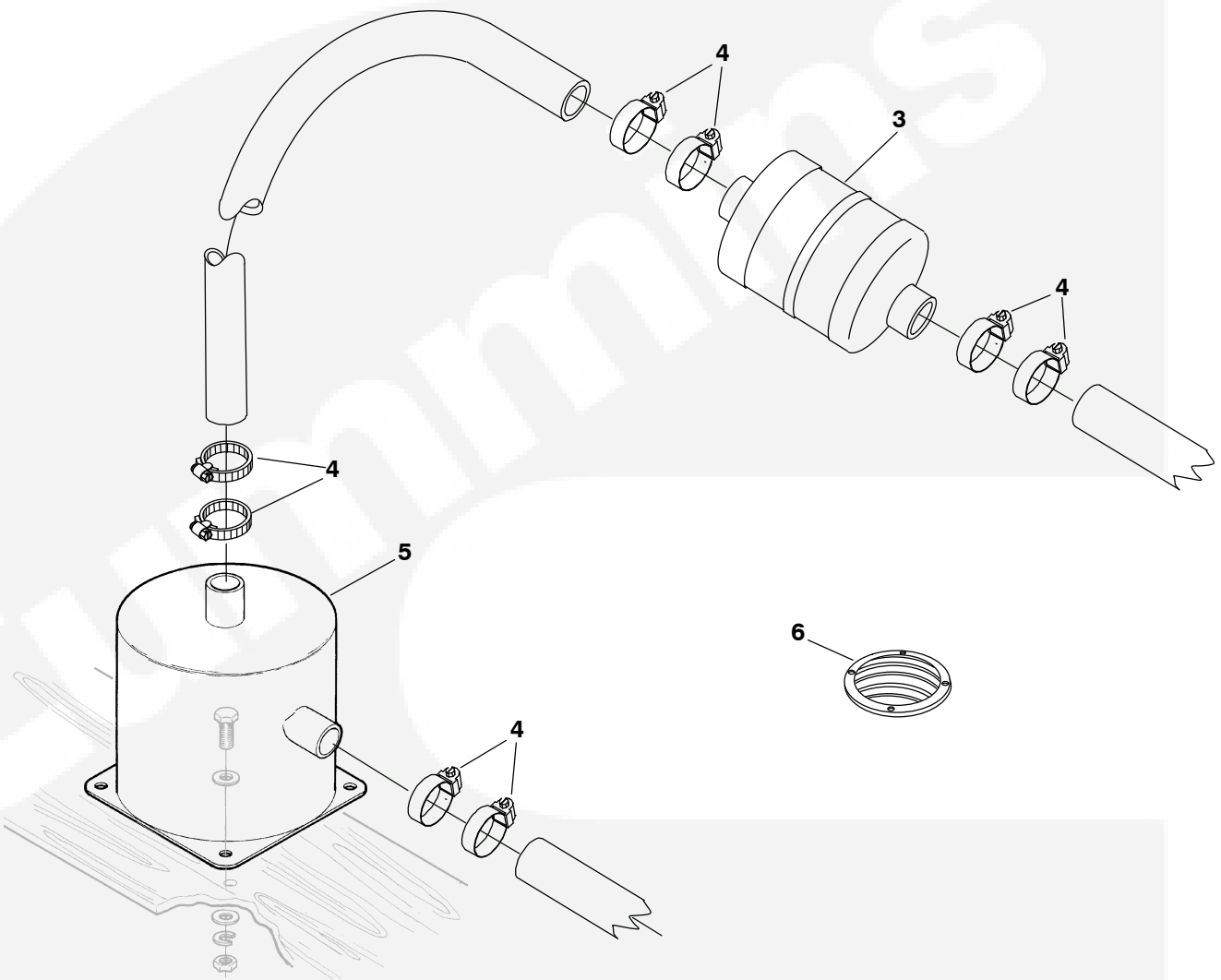


## Muffler/Water Separator



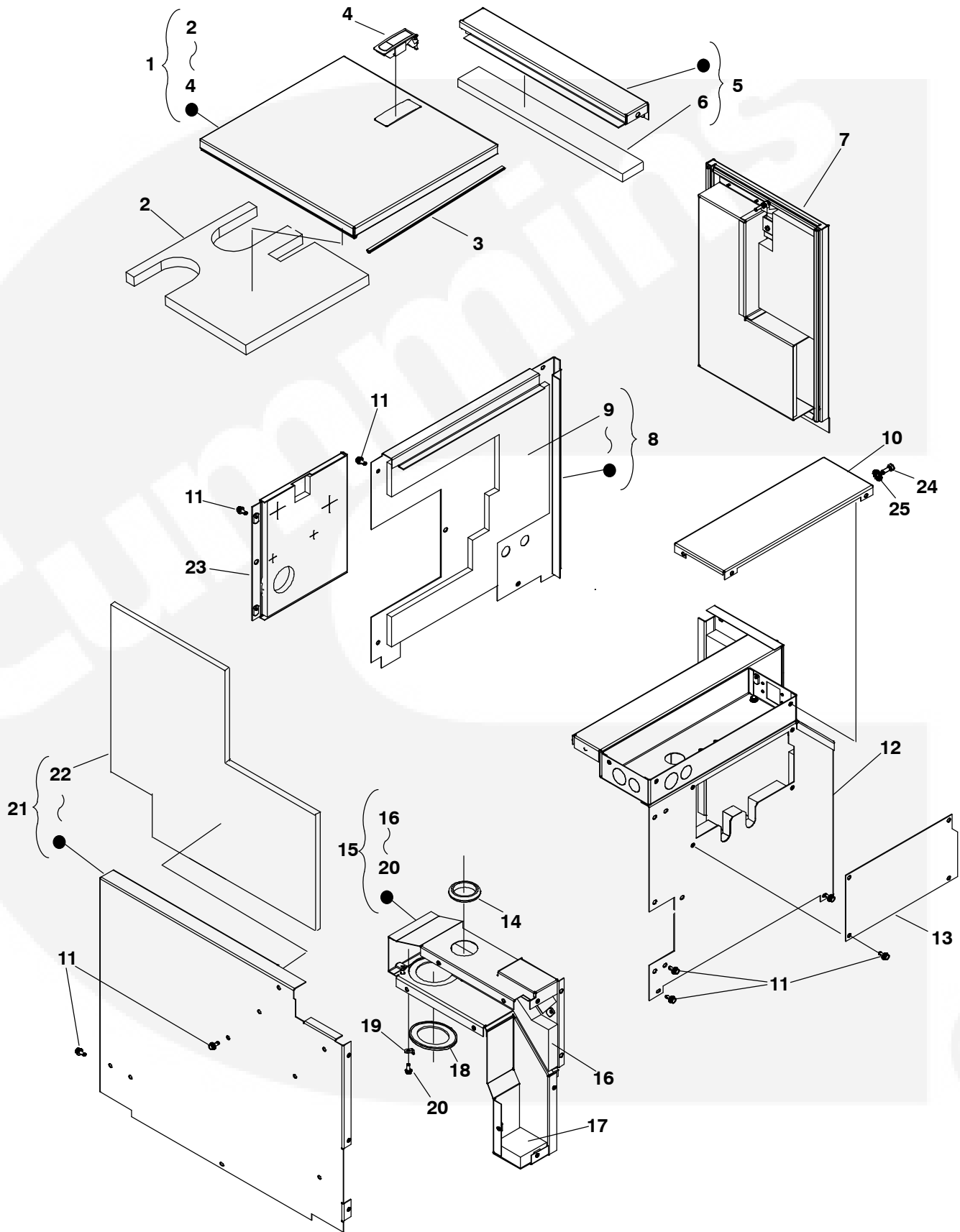
REF NO.	PART NO.	QTY USED	PART DESCRIPTION	REF NO.	PART NO.	QTY USED	PART DESCRIPTION
1	155-3217	1	Kit, Muffler/Separator (Includes Parts Marked *)	6	155-1002	1	*+ Strainer, Water Pickup
2	155-2030	1	Kit, Muffler (Includes Parts Marked +)	7	155-3218	1	** Separator, Water (2")
3	155-3216	1	Kit, Water Separator (Includes Parts Marked ^)	8	503-1139	4	** Clamp, Hose (1-1/2")
4	155-2029	1	*+ Muffler	* - Parts Included in Muffler/Separator Kit.			
5			Clamp, Hose (2")	+ - Parts Included in Muffler Kit.			
	503-1142	8	+ Muffler Kit	^ - Parts Included in Water Separator Kit.			
	503-1142	4	^ Separator Kit				
	503-1142	10	* Muffler/Separator Kit				

## Muffler/Resonator



REF NO.	PART NO.	QTY USED	PART DESCRIPTION	REF NO.	PART NO.	QTY USED	PART DESCRIPTION
1	155-3147	1	Kit, Muffler (Includes Parts Marked *)	5	155-2029	1	*Muffler
2	155-3239	1	Kit, Resonator (Includes Resonator)	6	155-1002	1	*Strainer, Slotted
3	155-3149	1	*Resonator (2")	* - Parts Included in Marine Muffler Kit.			
4	503-1142	12	*Clamp, Hose				

# Enclosure (Spec A)

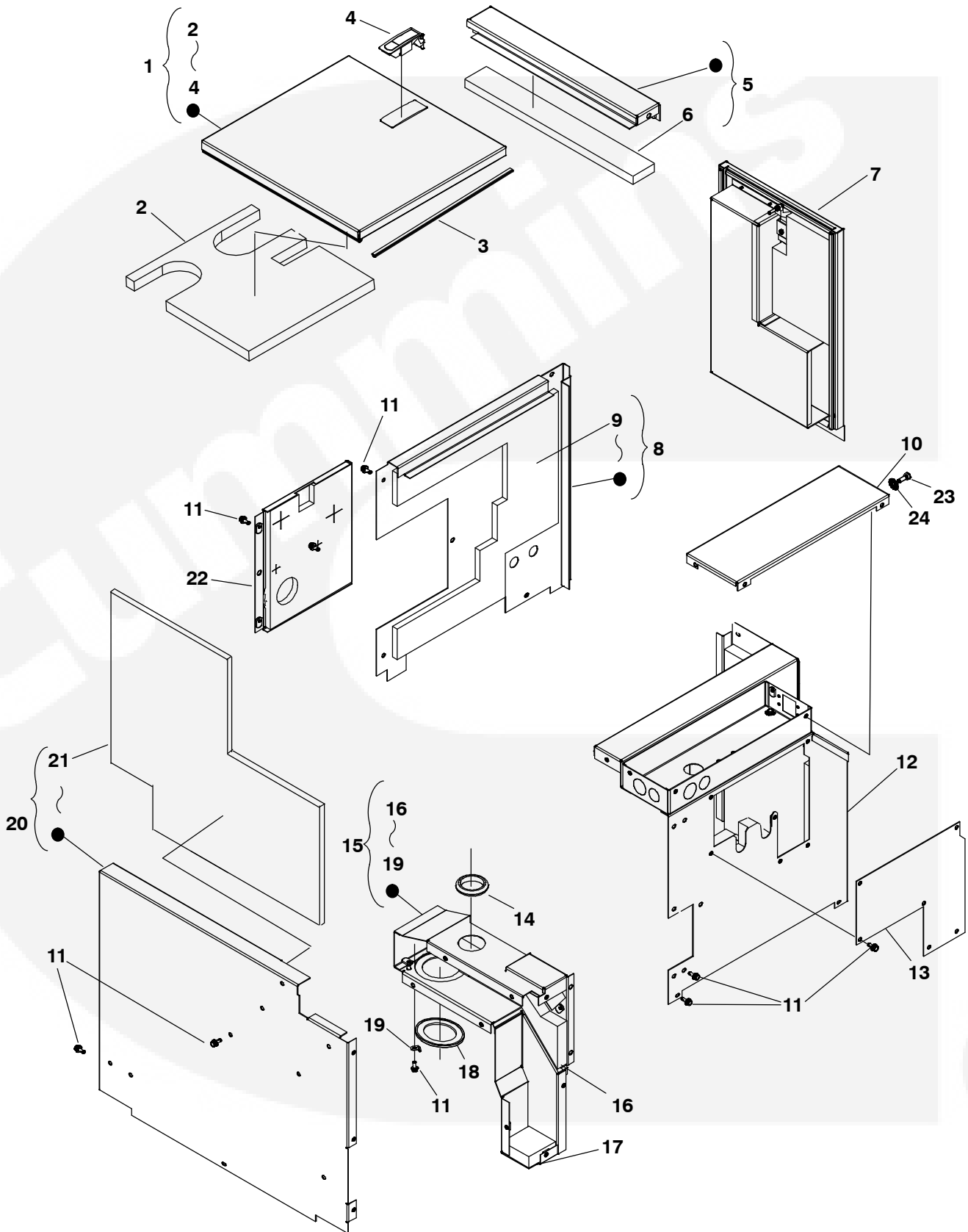


## Enclosure (Spec A)

REF NO.	PART NO.	QTY USED	PART DESCRIPTION	REF NO.	PART NO.	QTY USED	PART DESCRIPTION
1	405-6730	1	Cover, Enclosure (Includes Parts Marked +)	15	405-6728	1	Duct, Air Inlet (Includes Parts Marked *)
2	405-6751	1	+Insulation	16	405-6759	1	*Insulation
3	405-6693	1	+Seal (5')	17	405-6755	2	*Insulation
4	405-5884	1	+Latch	18	509-0359	1	*Seal, Brush
5	405-6774	1	Support, Top (Includes Insulation)	19	405-6769-02	3	*Retainer, Seal
6	405-6775	1	Insulation	20	821-6006-01	3	*Screw, Hex Head Sems (M6 x 1 x 16mm)
7	-		Panel, Service (See Service/Exhaust Panel Page for Components)	21	405-6716	1	Panel, Side (Includes Insulation)
8	405-6767	1	Panel, Side (With Service Door) (Includes Insulation)	22	405-6752	1	Insulation
9	405-6766	1	Insulation	23	-	1	Cover, Side Panel Access (See Service/Exhaust Panel Page for Components)
10	405-6713-03	1	Cover, Control Box	24	800-6033	4	Screw, Hex Head Cap (M6 x 1.0 x 16mm)
11	821-6006-01	33	Screw, Hex Head Sems (M6 x 1 x 16mm)	25	856-0006	4	Washer, ETIT Locking (1/4")
12	-		Panel, Control (See Control Box Spec A Page for Components)	+ - Parts Included in Enclosure Cover.			
13	405-6726-03	1	Cover, Control Panel Access	* - Parts Included in Air Inlet Duct.			
14	508-0051	1	Grommet				



# Enclosure (Begin Spec B)



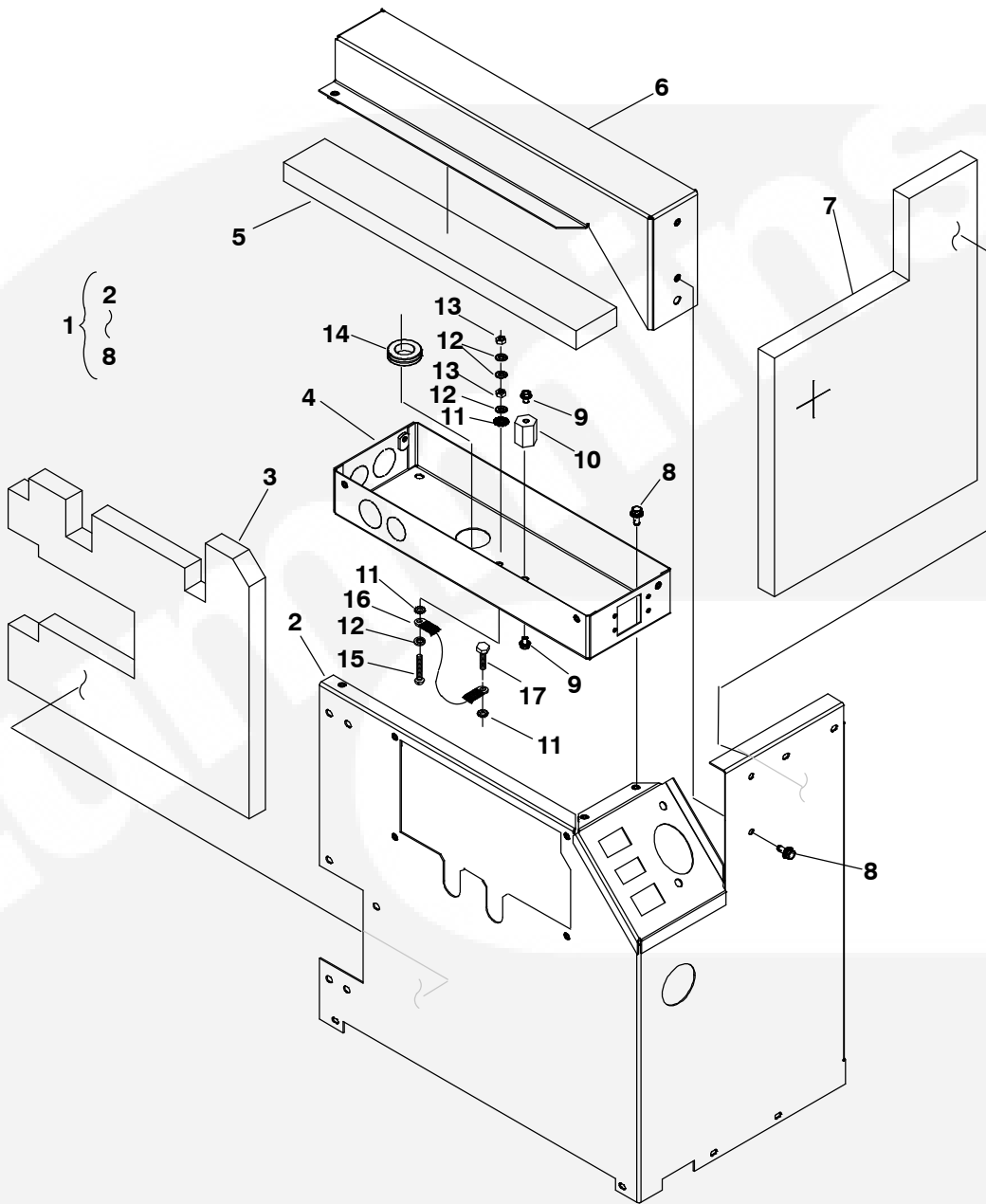


## Enclosure (Begin Spec B)

REF NO.	PART NO.	QTY USED	PART DESCRIPTION	REF NO.	PART NO.	QTY USED	PART DESCRIPTION
1	405-6730	1	Cover, Enclosure (Includes Insulation, Seal, and Latch)	13	405-8535-03	1	Cover, Control Panel Access
2	405-6751	1	Insulation	14	508-0051	1	Grommet
3	405-6693	1	Seal (5')	15	405-6728	1	Duct, Air Inlet (Includes Parts Marked *)
4	405-5884	1	Latch	16	405-6759	1	*Insulation
5	405-6774	1	Support, Top (Includes Insulation)	17	405-6755	2	*Insulation
6	405-6775	1	Insulation	18	509-0359	1	*Seal, Brush
7	-		Panel, Service (See Service/ Exhaust Panel Page for Components)	19	405-6769-02	3	*Retainer, Seal
8	405-6767	1	Panel, Side (With Service Door) (Includes Insulation)	20	405-6716	1	Panel, Side (Includes Insulation)
9	405-6766	1	Insulation	21	405-6752	1	Insulation
10	405-6713-03	1	Cover, Control Box	22	-	1	Cover, Side Panel Access (See Service / Exhaust Panel Page for Components)
11	821-6006-01	40	*Screw, Hex Head Sems (M6 x 1 x 16mm)	23	800-6033	4	Screw, Hex Head Cap (M6 x 1.0 x 16mm)
12	-		Panel, Control (See Control Box Begin Spec B Page for Components)	24	856-0006	4	Washer, ETIT Locking (1/4")

\* - Parts Included in Air Inlet Duct.

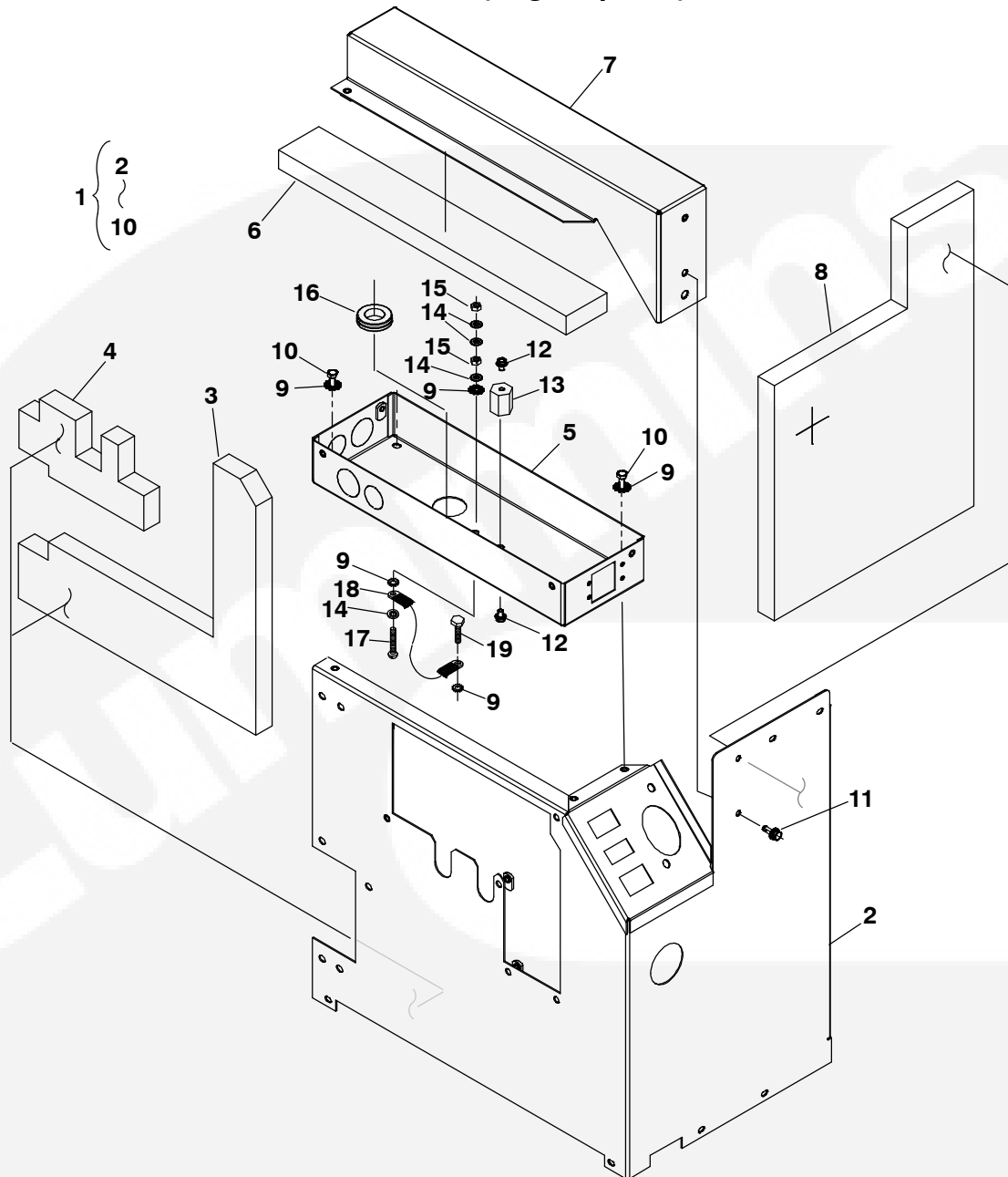
## Control Box (Spec A)



REF NO.	PART NO.	QTY USED	PART DESCRIPTION	REF NO.	PART NO.	QTY USED	PART DESCRIPTION
1	405-6722	1	Panel Assy, Control (Includes Parts Marked *)	11	856-0006	3	Washer, EIT Lock (1/4")
2	405-6735-03	1	*Panel, Control)	12	526-0052	4	Washer, Flat (1/4")
3	405-6748	1	*Insulation	13	871-0016	2	Nut, Hex (.25-20UNC)
4	405-6727-03	1	*Box, Control	14	508-0117	1	Grommet (1")
5	405-6750	1	*Insulation	15	810-0155	1	Screw, Round Head (.25-20UNC x 1.25")
6	405-6734-03	1	Cover, Enclosure	16	337-2953	1	Strap, Bond
7	405-6749	1	Insulation	17	718-1020	1	Screw, Hex Head Cap (M6 x 1 x 16m)
8	821-6006-01	6	*Screw, Hex Head Sems (M6 x 1 x 16mm)				
9	821-0008	2	Screw, Lock Head (1/4-20 x 5/16")				
10	332-2370	1	Standoff, Insulator				

\* - Parts Included in Control Cover.

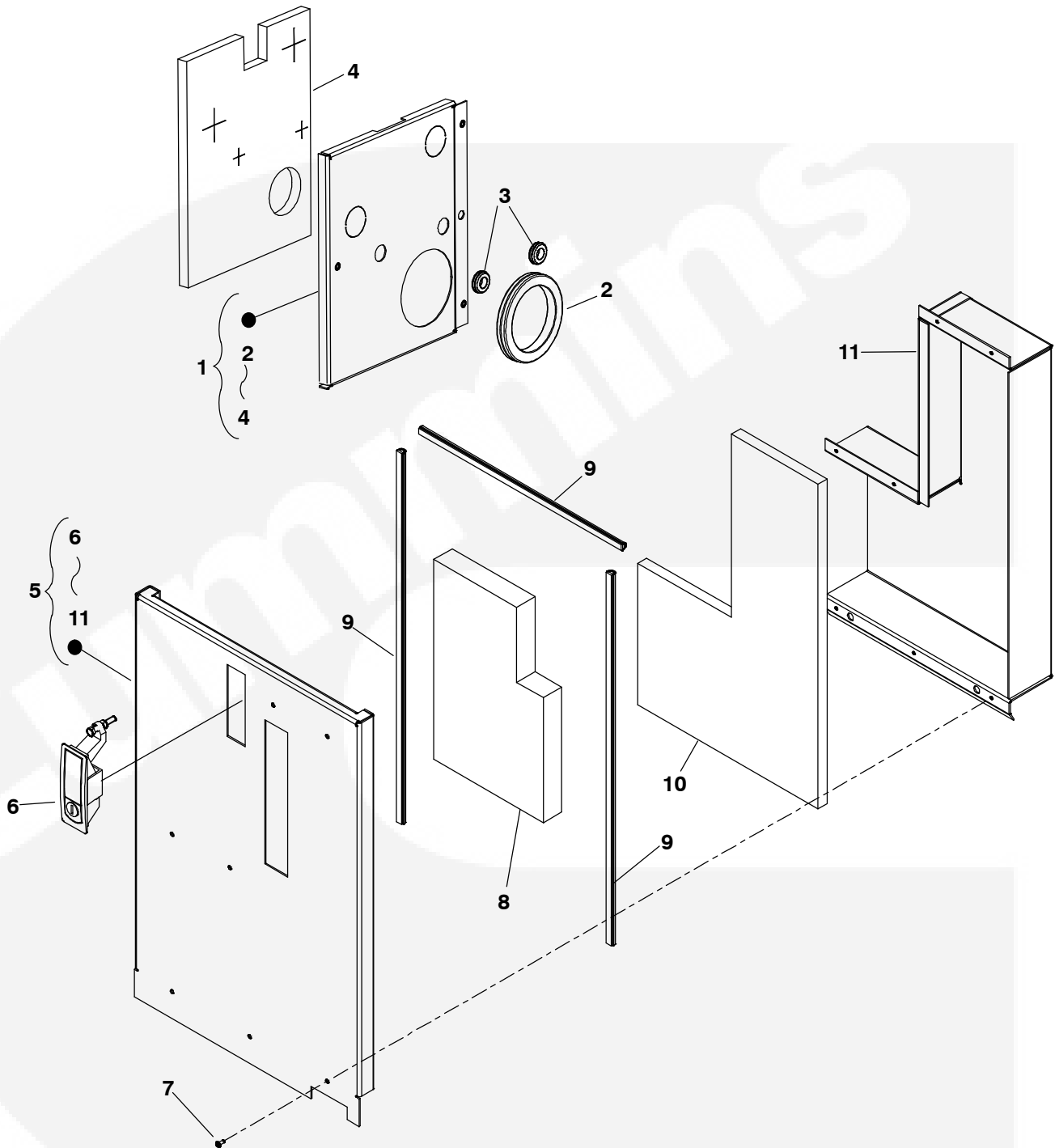
## Control Box (Begin Spec B)



REF NO.	PART NO.	QTY USED	PART DESCRIPTION	REF NO.	PART NO.	QTY USED	PART DESCRIPTION
1	405-8534	1	Panel Assy, Control (Includes Parts Marked *)	12	821-0008	2	Screw, Lock Head (1/4-20 x 5/16")
2	405-8532-03	1	*Panel, Control)	13	332-2370	1	Standoff, Insulator
3	405-6742	1	*Insulation	14	526-0052	4	Washer, Flat (1/4")
4	405-8541	1	*Insulation	15	871-0016	2	Nut, Hex (.25-20UNC)
5	405-6727-03	1	*Box, Control	16	508-0117	1	Grommet (1")
6	405-6750	1	*Insulation	17	810-0155	1	Screw, Round Head (.25-20UNC x 1.25")
7	405-6734-03	1	Cover, Enclosure	18	337-2953	1	Strap, Bond
8	405-6749	1	Insulation	19	718-1020	1	Screw, Hex Head Cap (M6 x 1 x 16m)
9	856-0006	11	Washer, EIT Lock (1/4")				
10	800-6033	4	*Screw, Hex Head Sems (M6 x 1 x 16mm)				
11	821-6006-01	2	*Screw, Hex Head Sems Stainless (M6 x 1 x 16mm)				

\* - Parts Included in Control Cover.

## Service/Exhaust Panel



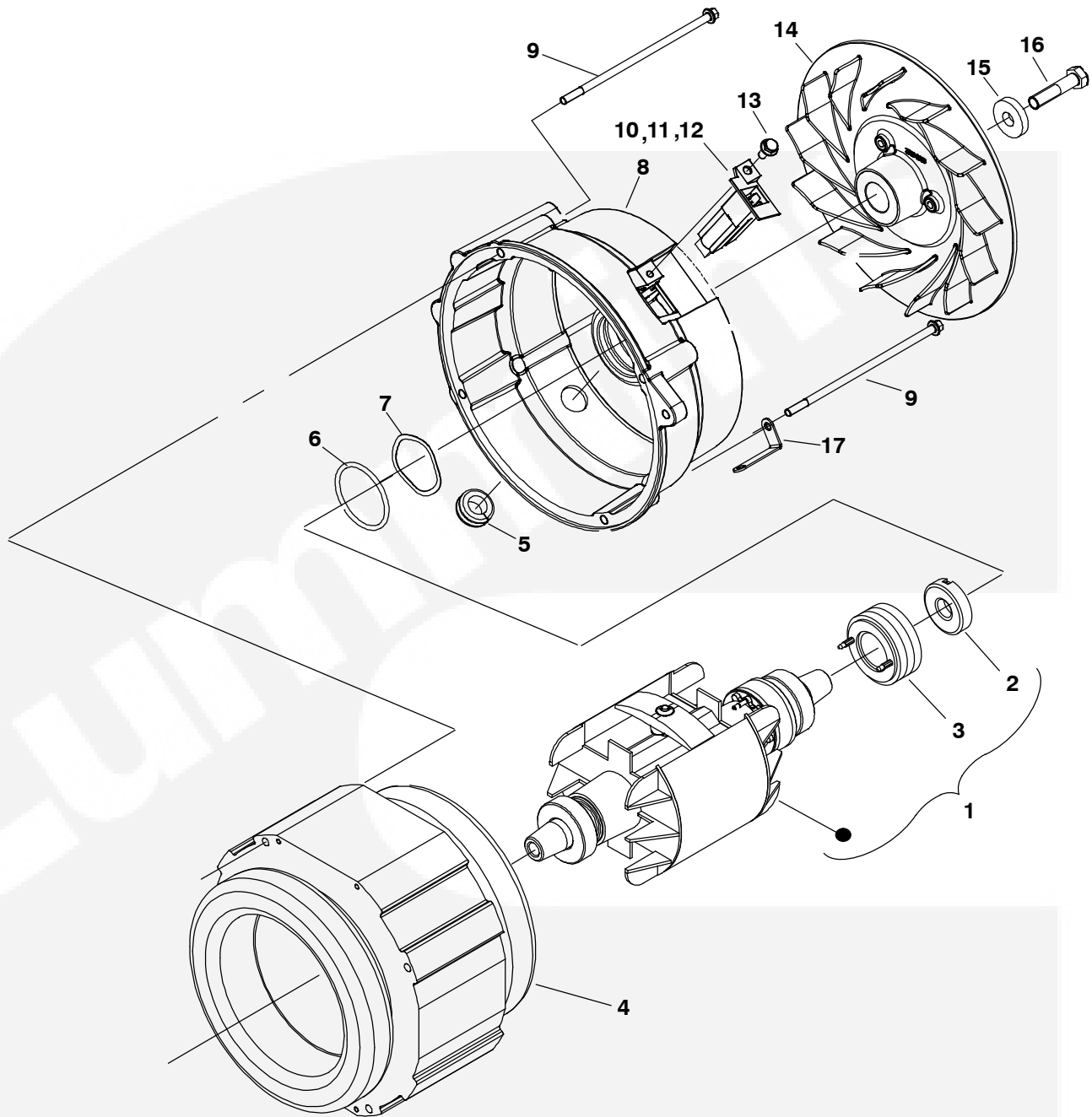
REF NO.	PART NO.	QTY USED	PART DESCRIPTION	REF NO.	PART NO.	QTY USED	PART DESCRIPTION
1	405-6721	1	Cover, Side Panel Access (Includes Grommets and Insulation)	7			*Rivet, Pop Spec A
2	508-1095	1	Grommet, Rubber	8	405-6757	1	*Insulation
3	508-0021	2	Grommet	9	405-6693	1	*Seal, Enclosure (3.8')
4	405-6761	1	Insulation	10	405-6758	1	*Insulation
5	405-6718	1	Panel, Service (Includes Parts Marked *)	11	405-6753-02	1	*Duct, Exhaust
6	406-0961	1	*Latch, Enclosure				

\* - Parts Included in Service Panel.

**“Blank Page”**

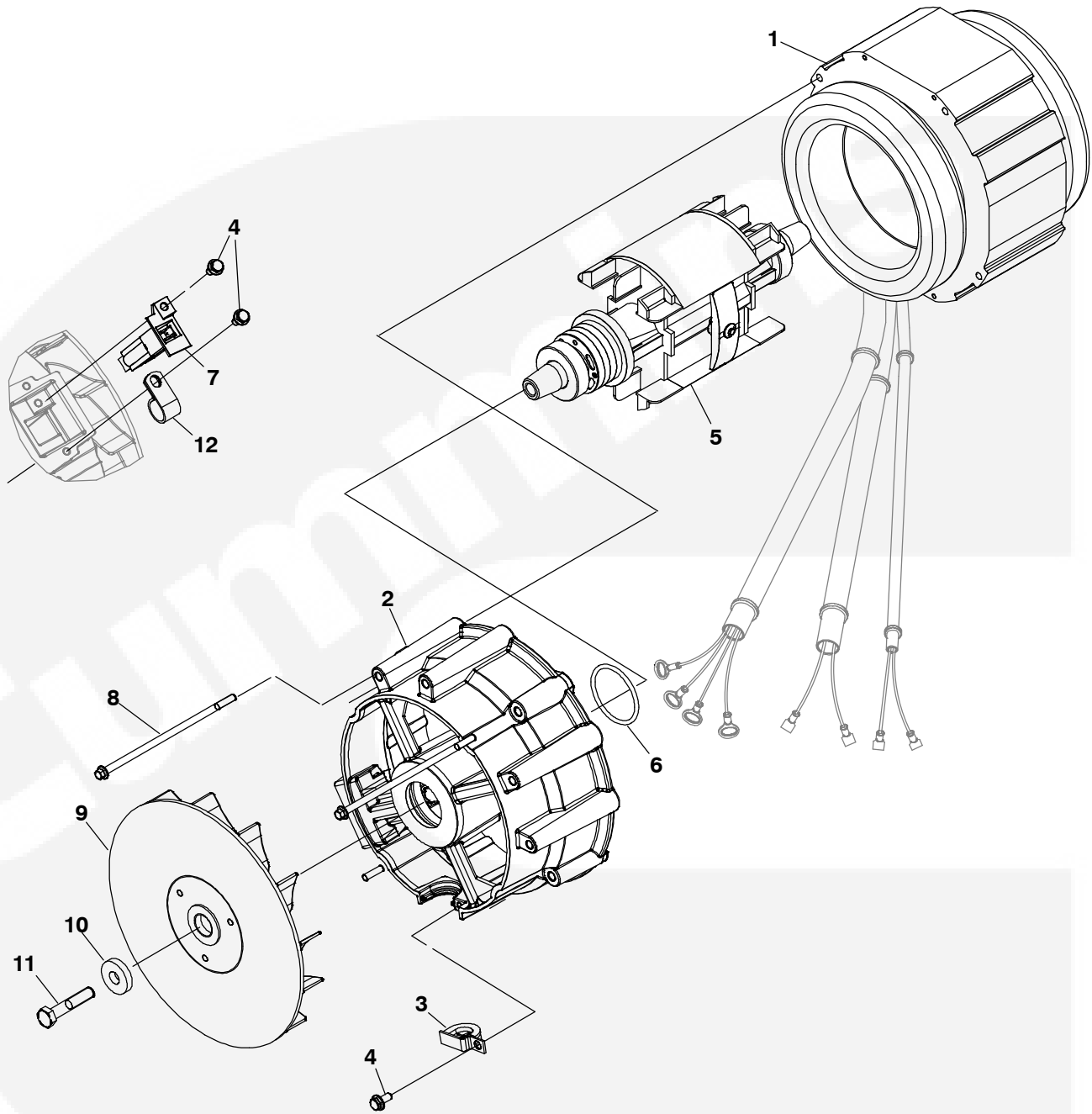


## Generator (Spec A)



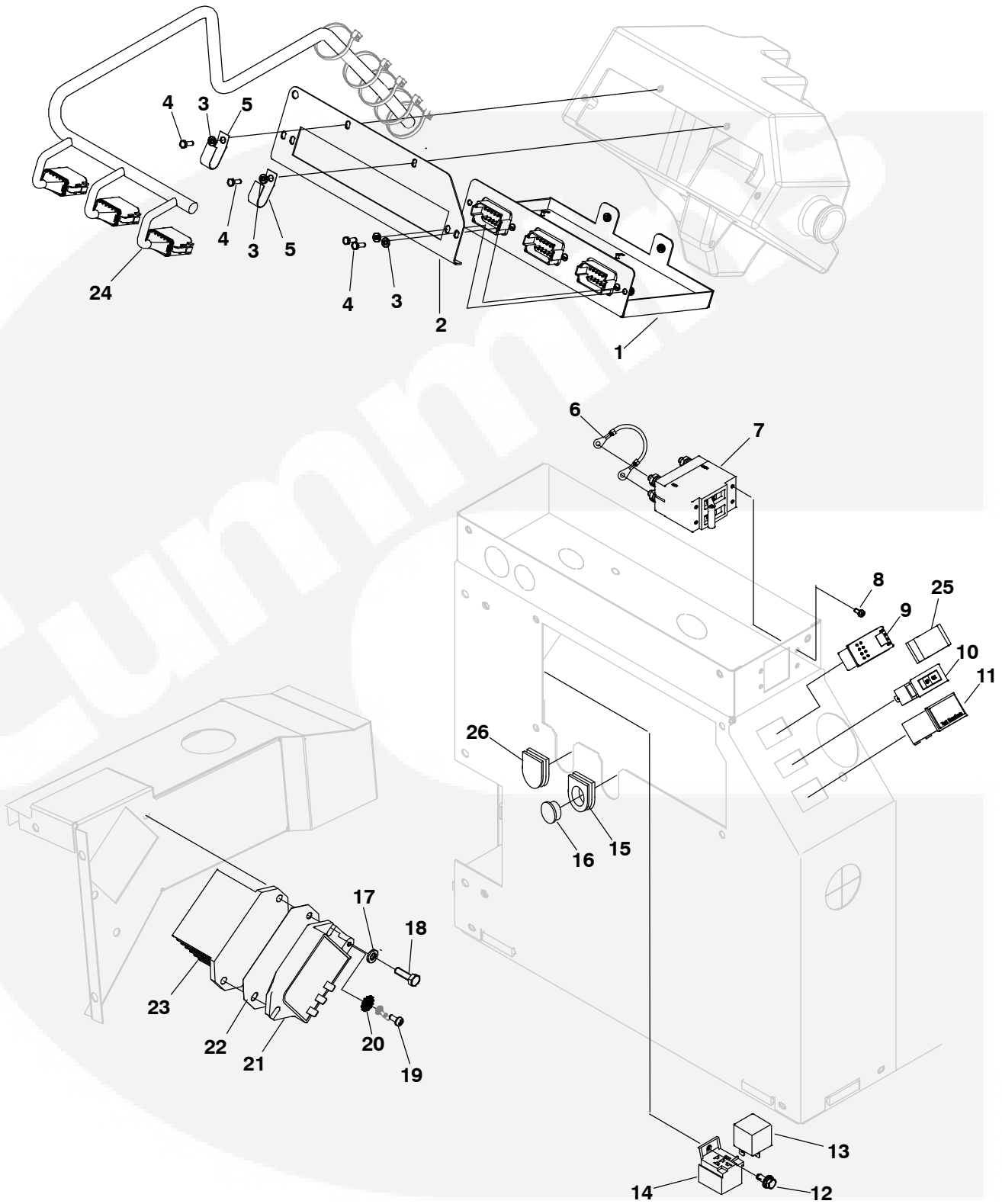
REF NO.	PART NO.	QTY USED	PART DESCRIPTION	REF NO.	PART NO.	QTY USED	PART DESCRIPTION
1	201-3588-02	1	Rotor, Generator (Includes Bearings and Collector Ring)	10	212-1303	1	Block, Brush (Includes Brushes and Springs)
2	510-0099	2	Bearing, Ball	11	212-1303	2	Brush, Block
3	204-0141	1	Ring, Collector	12	212-1276-03	2	Spring, Brush Block
4	220-4598-01	1	Stator, Wound	13	815-0753	1	Bolt, Hex Head Cap
5	508-1151	1	Grommet (15.81mm)	14	205-0295	1	Fan, Generator
6	509-0196	1	O'Ring	15	526-0017	1	Washer, Flat
7	851-0045	1	Washer, Wave	16	800-2091	1	Screw, Hex Head Cap (M10 x 1.5 x 50mm)
8	211-0505-01	1	Endbell	17	518-0699-02	1	Clip, Harness
9	815-0927-01	4	Bolt, Stator Mounting				

## Generator (Begin Spec B)



REF NO.	PART NO.	QTY USED	PART DESCRIPTION	REF NO.	PART NO.	QTY USED	PART DESCRIPTION
1	220-4598-01	1	Assy, Stator Wound (Includes Leads T1-T4, Q1-Q2 and B1-B2)	7	212-1303	1	Block, Brush (Includes Brushes and Springs)
2	211-0521	1	Endbell	8	815-0927-01	4	Bolt, Stator Mounting
3	508-1167	1	Grommet	9	205-0300	1	Fan, Generator
4	815-0753	3	Screw, Locking Flange	10	526-0017	1	Washer, Flat
5	201-3607-03	1	Assy, Rotor (Includes Excitor Hub Drive and Rotor Coil)	11	800-2091	1	Screw, Hex Head Cap (M10 x 1.5 x 50mm)
6	509-0196	1	O'Ring	12	332-1356	1	Clamp, Loop (3/4")

# Control

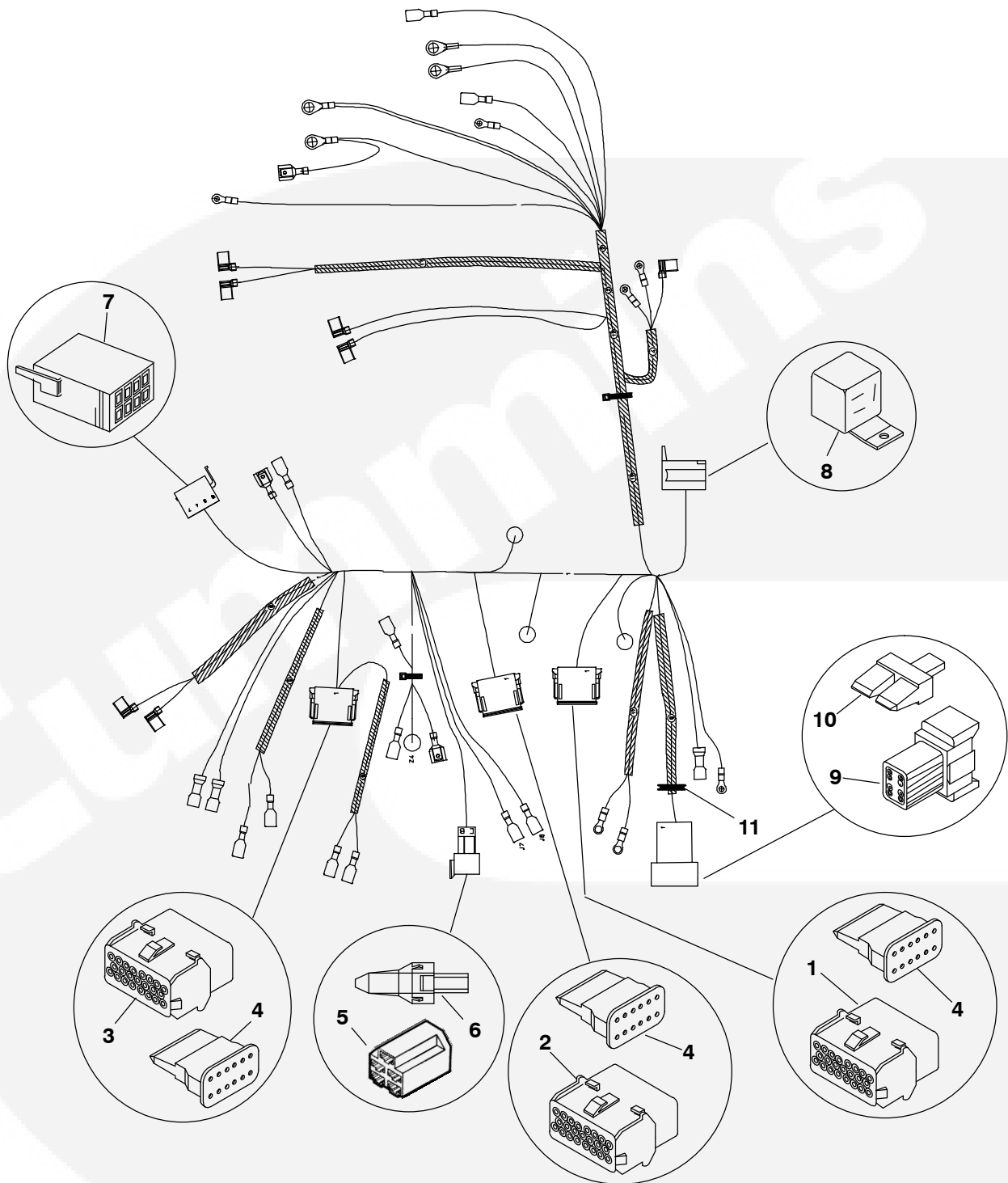




## Control

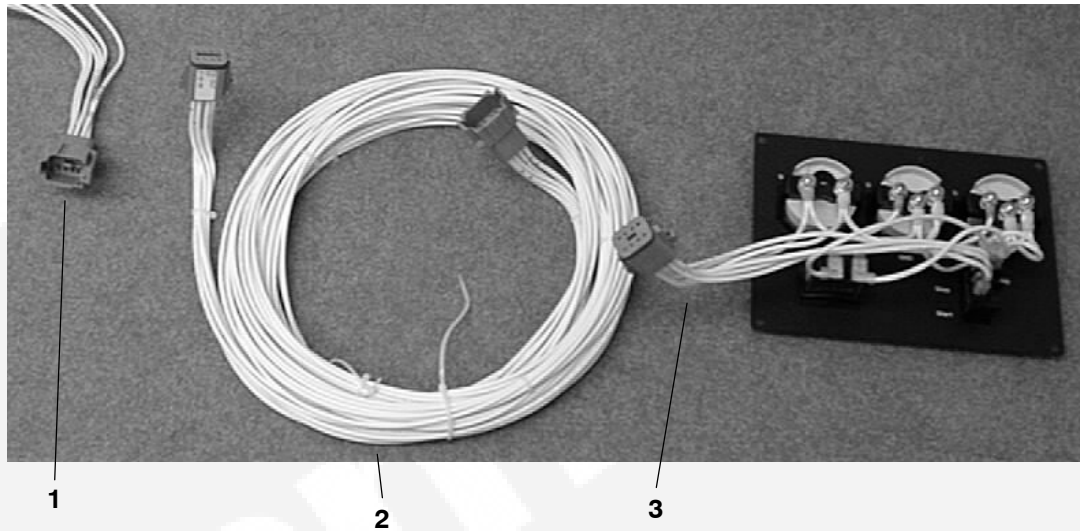
REF NO.	PART NO.	QTY USED	PART DESCRIPTION	REF NO.	PART NO.	QTY USED	PART DESCRIPTION
1	300-5336	1	Control, PCB	15	508-1105	1	Grommet (Part of Control Harness Listed on Separate Page)
2	319-4332-03	1	Plate, Control Box				
3	526-2050	6	Washer, Flat (M4)				
4	800-3042	6	Screw, Hex Head Machine (M4 x 10)	16	517-0136	1	Plug, Hole
5	518-0515	2	Clip	17	526-2081	3	Washer, Flat
6	226-4824	1	Lead, Circuit Breaker	18	815-0974-04	2	Screw, Hex Head Cap (M6 x 20)
7	320-1666-01	1	Breaker, Circuit (20A, 2 Pole) (Uses 1/4-28 Nuts for Leads)	19	815-0792-03	1	Screw, Pan Crescent Head (M4 x 10)
8	815-0550-01	4	Screw, Cross Recessed ET (#6-32 x .375")	20	856-0002	1	Washer, EIT
9	308-1101	1	Switch, Rocker (SPDT) (12V)	21	305-1006	1	Regulator, Voltage (12V)
10	320-1710	1	Breaker, Circuit	22	363-0205	1	Pad, Heatsink
11	302-2002	1	Hourmeter	23	305-0995	1	Heatsink
12	821-6006-01	1	Screw, Hex Head Sems (M6 x 1 x 16mm)	24	338-4015	1	Harness, Genset
13	307-2767	1	Relay, SPDT (12V)	25	320-1952	1	Boot, Rocker Switch
14	323-1563	AR	Socket, Relay (K3) (Part of Control Harness Listed on Separate Page)	26	508-1105-01	1	Grommet, Remote

## Control Harness



REF NO.	PART NO.	QTY USED	PART DESCRIPTION	REF NO.	PART NO.	QTY USED	PART DESCRIPTION
	338-3961	1	Harness, Control	7	308-1019	AR	Connector, Switch (S4)
1	323-1582-06	1	Plug, Black (12 Pin) (P1)	8	-		Socket, Relay (K3) (See Control Page for Part Number)
2	323-1582-07	1	Plug, Gray (12 Pin) (P2)	9	323-1542	1	Connector, Receptacle (8 Pin) (J4)
3	323-1582-05	1	Plug, Green (12 Pin) (P3)	10	323-1544	AR	Wedge, Receptacle (J4)
4	323-1583	3	Wedge, Plug (12 Pin) (P1, P2, P3)	11	-	1	Grommet (See Control Page for Part Number)
5	323-1494	AR	Connector, Rectifier (3 Pin) (J5)				
6	323-1502	AR	Wedge (J5)				

## Harness Location

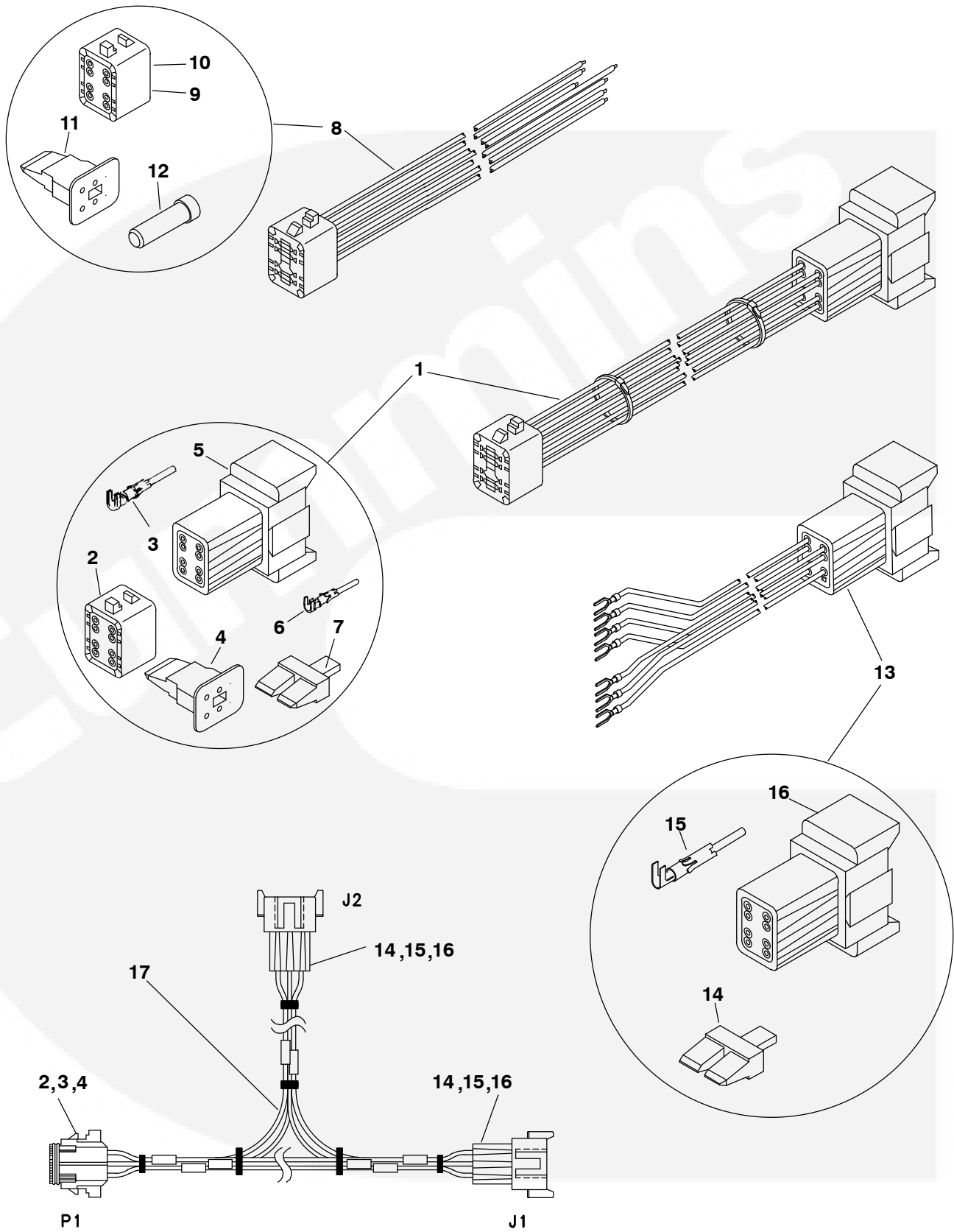


REF NO.	PART NO.	QTY USED	PART DESCRIPTION
1	*	-	Harness, Control (Reaches From Generator Control to Extension or Customer Interface Pigtail Harness)
2	*	-	Harness, Extension (Or Customer Interface Pigtail/s) (Reaches From Control Harness to Remote Panel Harness or Customer Hookup)
3	*	-	Harness, Remote Panel (Reaches From Remote Panel to Extension Harness)

\* - See Index for Page Numbers of Detailed Descriptions and Part Numbers.



# Extension, Junction and Pigtail Harnesses



## Extension, Junction and Pigtail Harnesses

REF NO.	PART NO.	QTY USED	PART DESCRIPTION	REF NO.	PART NO.	QTY USED	PART DESCRIPTION
1			Harness, Extension (Reaches From Control Harness to Remote Panel Harness or Customer Interface Pigtail Harness) (Includes Parts Marked #)	9	323-1492	7	*Terminal, Socket
	338-3167	1	15 feet (4.5 meters)	10	323-1541	1	*Plug (8 Pin)
	338-3168	1	25 feet (7.6 meters)	11	323-1543	1	*Wedge, Plug (8 Pin)
	338-3169-00	1	45 feet (13.7 meters)	12	323-1591	1	*Plug, Connector
	338-3169-01	1	75 feet (22.8 meters)	13	338-4017	1	Harness, Pigtail (Customer Interface) (8") (Reaches from Customer Extension Harness to Remote Panel Harness) (Includes Parts Marked +)
	338-3169-02	1	100 feet (30.4 meters)	14	323-1544	1	°+Wedge, Lock Receptacle (8 Pin)
	338-3169-03	1	150 feet (45.6 meters)	15	323-1491	AR	°+Terminal, Pin
2	323-1541	1	°#Plug (8 Pin)	16	323-1542	1	°+Housing, Receptacle (8 Pin)
3	323-1492	8	°#Terminal, Socket	17	338-4016	1	Harness, "Y" Junction (8" x 4") (Reaches from Extension Harness to two Remote Panel Harnesses) (Includes Parts Marked °)
4	323-1543	1	°#Wedge, Plug (8 Pin)				
5	323-1542	1	#Receptacle (8 Pin)				
6	323-1491	8	#Terminal, Pin				
7	323-1544	1	#Wedge, Receptacle (8 Pin)				
8	338-3098	1	Harness, Pigtail (Customer Interface) (12") (30cm) (Reaches from Control Harness to Customer Hookup) (Includes Parts Marked *)				

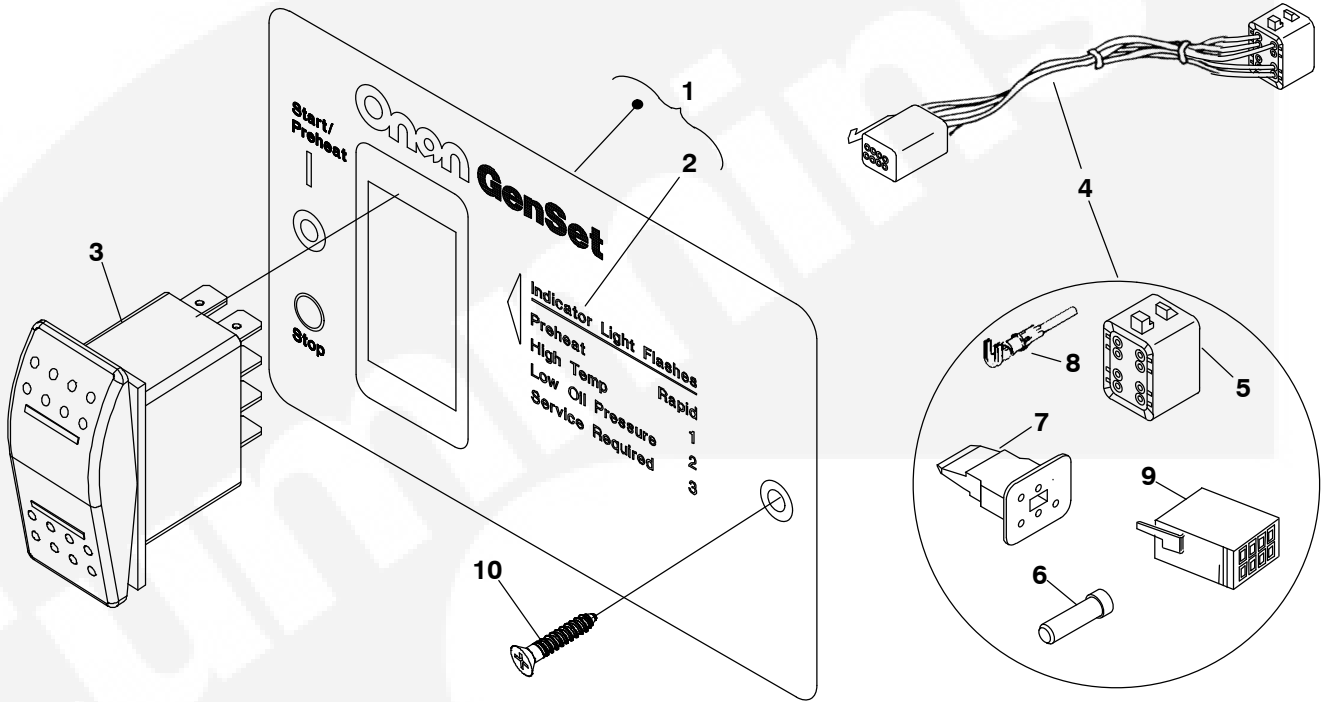
# - Parts Included in Extension Harness.

\* - Parts Included in Pigtail (Customer Interface) Harness.

+ - Parts Included in Pigtail (Customer Interface) Harness.

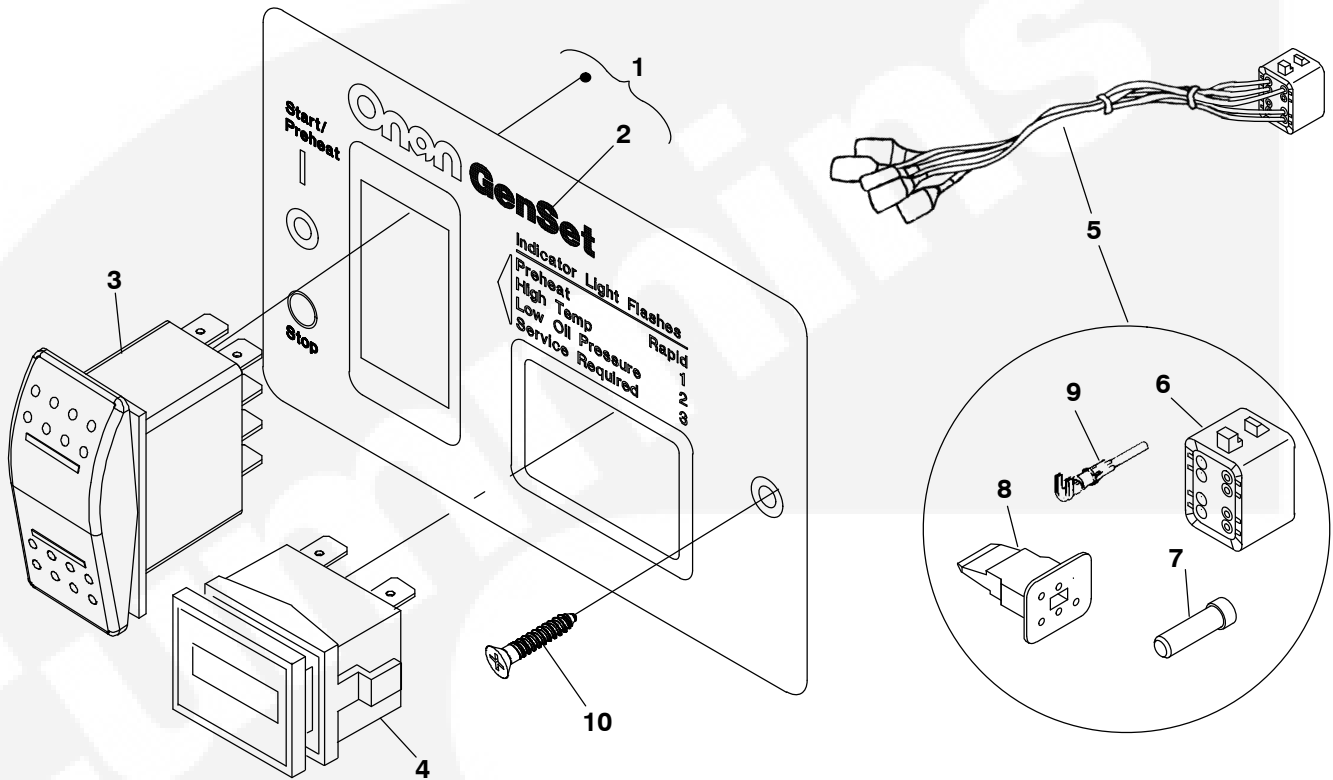
° - Parts Included in Junction Harness.

## Remote Control Panel (w/Switch)



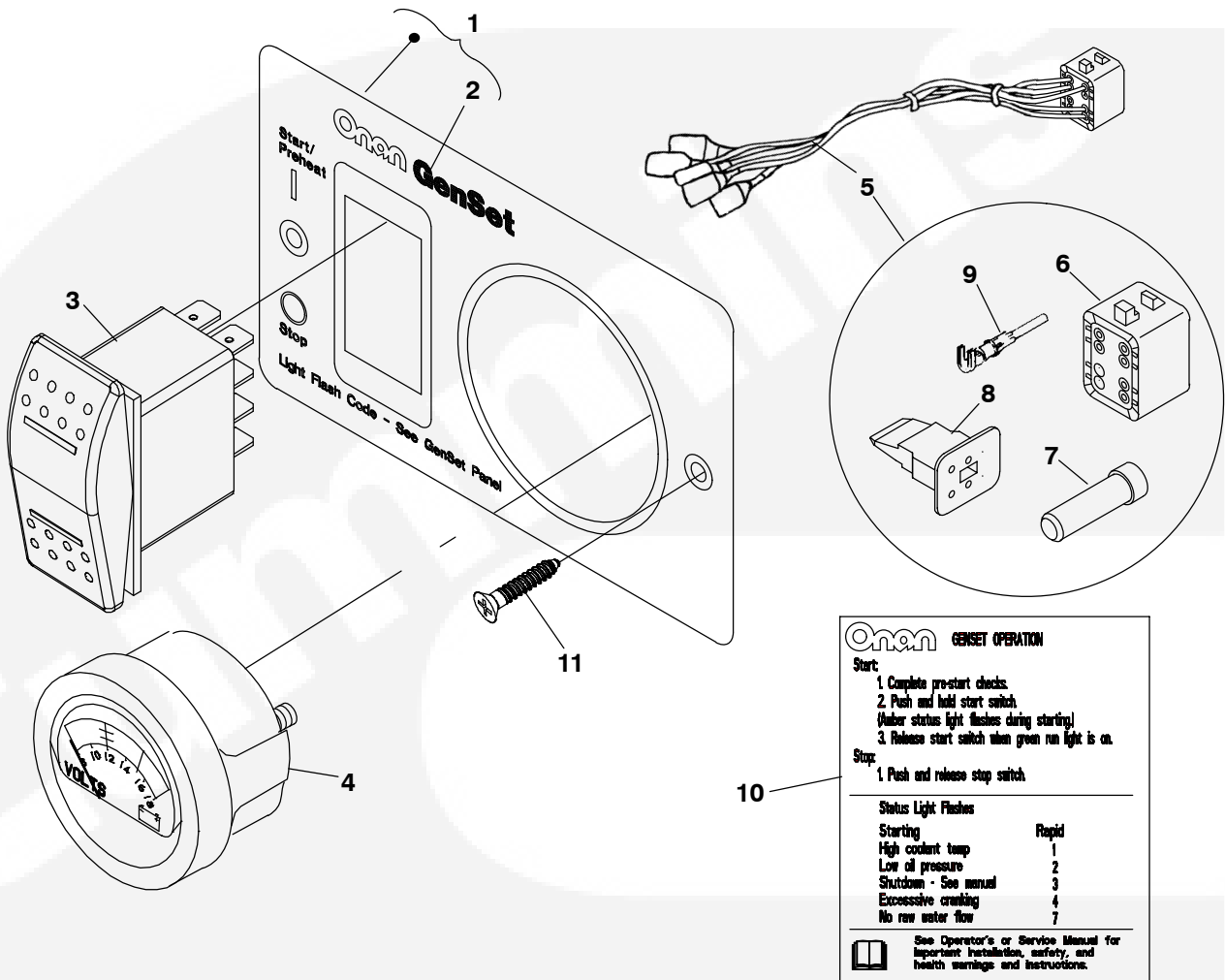
REF NO.	PART NO.	QTY USED	PART DESCRIPTION	REF NO.	PART NO.	QTY USED	PART DESCRIPTION
	300-5725-01	1	Kit, Remote Panel	5	323-1541	1	Plug (8 Pin) (J4)
1	319-4996	1	Panel, Remote (Includes Label)	6	323-1591	3	Plug, Connector
2	98-8081	1	Label, Panel (Start/Preheat)	7	323-1543	1	Wedge, Plug (8 Pin)
3	308-1101	1	Switch, Rocker	8	323-1492	5	Pin, Contact
4	338-3988	1	Harness, Remote Panel (Reaches From Extension Harness to Remote Panel) (Includes Plugs, Wedge and Pin)	9	308-1019	1	Connector, Switch
				10	815-0910	2	Screw, Wood (#6 x 1)

## Remote Control Panel (W/Hour Meter)



REF NO.	PART NO.	QTY USED	PART DESCRIPTION	REF NO.	PART NO.	QTY USED	PART DESCRIPTION
	300-5727-01	1	Kit, Remote Panel	6	323-1541	1	Plug (8 Pin) (J4)
1	319-4888	1	Panel, Remote (Includes Label)	7	323-1591	2	Plug, Connector
2	98-8081	1	Label, Panel (Start/Preheat)	8	323-1543	1	Wedge, Plug (8 Pin)
3	308-1101	1	Switch, Rocker (S11)	9	323-1492	6	Pin, Contact
4	302-2048	1	Meter, Hour	10	815-0910	2	Screw, Wood (#6 x 1)
5	338-3990	1	Harness, Remote Panel (Reaches From Extension Harness to Remote Panel) (Includes Plugs, Wedge and Pin)				

## Remote Control Panel (w / Volt Meter)



**Onan GENSET OPERATION**

**Start:**

1. Complete pre-start checks.
2. Push and hold start switch (Huber status light flashes during starting).
3. Release start switch when green run light is on.

**Stop:**

1. Push and release stop switch.

Status Light Flashes	
Starting	Rapid
High coolant temp	1
Low oil pressure	2
Shutdown - See manual	3
Excessive cranking	4
No raw water flow	7

See Operator's or Service Manual for important installation, safety, and health warnings and instructions.

REF NO.	PART NO.	QTY USED	PART DESCRIPTION	REF NO.	PART NO.	QTY USED	PART DESCRIPTION
	300-5726-01	1	Kit, Remote Panel	6	323-1541	1	Plug (8 Pin) (J4)
1	319-4997	1	Panel, Remote (Includes Label)	7	323-1591	2	Plug, Connector
2	98-8081	1	Label, Panel (Start/Preheat)	8	323-1543	1	Wedge, Plug (8 Pin)
3	308-1101	1	Switch, Rocker	9	323-1492	6	Pin, Contact
4	302-2051-01	1	Meter, Volt (M14) (8-18V)	10	98-8092	1	Label, Panel (GenSet Operation)
5	338-3990	1	Harness, Remote Panel (Reaches From Extension Harness to Remote Panel) (Includes Plugs, Wedge and Pin)	11	815-0910	2	Screw, Wood (#6 x 1)

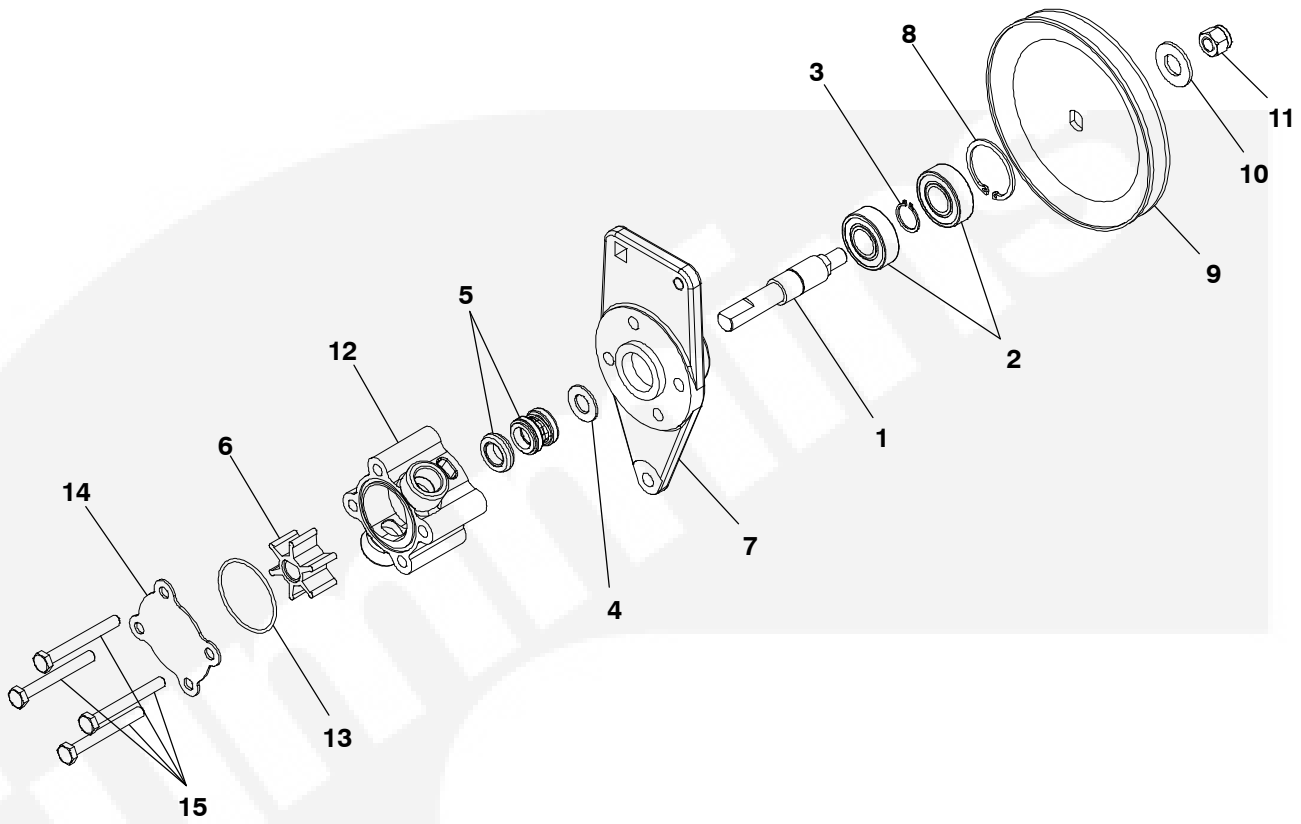


## Kits/Labels

REF NO.	PART NO.	QTY USED	PART DESCRIPTION	REF NO.	PART NO.	QTY USED	PART DESCRIPTION
100-3478-08		1	Kit, Cruise (Includes Parts Marked *)	541-0941-01		1	Kit, Remote Switch Harness
149-2106		2	*Filter, Fuel/Water Separator	185-5528		1	+Gasket, Head Cover
185-7444		2	*Filter, Oil	185-6248		1	+O'Ring
132-0415		2	*Kit, Sea Water Pump Small Service (Includes Impeller and O'Ring Listed on Sea Water Pump Page)	185-7426		1	+O'Ring
511-0197		1	*Belt, "V"	184-0019		1	+O'Ring
417-0223		1	*Box, Cruise Kit	184-0017		1	+O'Ring
149-2073		1	Kit, Fuel Filter	185-2410		1	+Gasket, Oil Gauge
184-0051		1	Kit, Gasket (Includes Parts Marked +)	98-5347		1	Label, Danger (Hazardous Voltage/Cover)
184-0025		1	+Gasket, Cylinder Head	98-7850		2	Label, Onan E-QD
185-7382		1	+Gasket, Gearcase	98-6996		1	Label, "No Step"
185-5438		1	+Gasket Bearing Case	98-6995		1	Label, Warning (Exposed Belts)
185-7383		1	+Gasket	98-7472		1	Label, Warning (Fire Extinguisher)
185-6853		1	+Gasket, Muffler	98-4730		1	Label, Warning (Hot Coolant)
185-6851		1	+Gasket	98-5755		1	Label, Warning (Hazardous Voltage/Feedback)
185-5413		1	+Gasket, Oil Pump	98-6074-01		1	Label, Warning (Risk of Property Damage)
185-6580		1	+Gasket, Fuel Pump	98-4798-01		1	Label, Warning (Rotating Parts)
185-7080		1	+Gasket Control Plate	98-7241		1	Label, Warning (CO)
185-5720		1	+Gasket Water Flange	98-7834		1	Label Package (Includes Parts Marked #)
184-0036		1	+Gasket, Water Pump	98-7801		1	#Label, DC Schematic
185-2268		2	+Gasket, Thermostat	98-7802		1	#Label, Reconnection Chart
184-0037		1	+Gasket	98-7794		1	#Label, Service Data
185-5513		1	+Gasket, H/M Gearcase	98-8177		1	#Label, Control
185-2095		1	+O'Ring	98-7803		1	#Label, Caution (Lifting)
184-0015		3	+O'Ring	98-7804		1	#Label, Connection
185-5410		1	+Seal, Oil (Front)				
185-5437		1	+Seal, Oil				
185-5335		1	+Gasket, Inlet Manifold				
420-0577		1	+Wrench, Oil Filter				
185-5348		1	+Seal, Valve Stem				

\* - Parts Included in Cruise Kit.  
+ - Parts Included in Gasket Kit.  
# - Parts Included in Label Kit.

## Kits/Labels (Continued)



REF NO.	PART NO.	QTY USED	PART DESCRIPTION	REF NO.	PART NO.	QTY USED	PART DESCRIPTION
	541-1522	1	Kit, Service – Major Water Pump (Includes Parts Marked *)	8	132-0400	1	*Ring, Retaining
	541-1524	1	Kit, Repair – Minor Water Pump (Includes Parts Marked ^)	9	132-0401	1	Pulley, Pump
1	132-0397	1	Shaft, Pump	10	132-0402	1	Retainer, Pulley
2	132-0398	2	*Bearing, Pump	11	132-0403	1	*Nut
3	132-0399	1	*Ring, Retaining	12	132-0429	1	Body, Water Pump (Brass)
4	132-0404	1	*Retainer, Seal	13	132-0410	1	*^O-Ring
5	132-0406	1	*Seal, Mech	14	132-0408	1	*Cover, Pump
6	132-0500	1	*^Impeller, Water Pump	15	132-0409	4	Bolt
7	132-0396	1	Body, Pump				

**NOTE:** Items 1, 7, 9, 10, 12, and 15 Are Excluded From This Kit and are Shown for Illustration Purposes Only.

## Numerical Index

<u>Part No.</u>	<u>Page</u>	<u>Part No.</u>	<u>Page</u>	<u>Part No.</u>	<u>Page</u>	<u>Part No.</u>	<u>Page</u>
098-4730, <b>79</b>		130-3571, <b>46</b>		149-2041-03, <b>33</b>		184-0021, <b>9</b>	
098-4798-01, <b>79</b>		130-3572, <b>46</b>		149-2045, <b>35</b>		184-0022, <b>11</b>	
098-5347, <b>79</b>		130-3573, <b>46</b>		149-2046, <b>35</b>		184-0023, <b>8</b>	
098-5755, <b>79</b>		130-3574, <b>46</b>		149-2047, <b>35</b>		184-0024, <b>23</b>	
098-6074-01, <b>79</b>		130-3721, <b>57</b>		149-2073, <b>33 , 79</b>		184-0025, <b>23 , 79</b>	
098-6995, <b>79</b>		130-5138, <b>43</b>		149-2106, <b>33 , 79</b>		184-0027, <b>11</b>	
098-6996, <b>79</b>		130-5139, <b>43</b>		149-2634-01, <b>33</b>		184-0028, <b>10</b>	
098-7241, <b>79</b>		130-5169, <b>43</b>		149-2646, <b>33</b>		184-0029, <b>10</b>	
098-7472, <b>79</b>		130-5170, <b>43</b>		149-2651, <b>33</b>		184-0030, <b>9</b>	
098-7794, <b>79</b>		130-5176, <b>43</b>		150-2630, <b>31</b>		184-0031, <b>9</b>	
098-7801, <b>79</b>		130-5188-02, <b>41</b>		150-2639, <b>31</b>		184-0032, <b>9</b>	
098-7802, <b>79</b>		132-0396, <b>80</b>		150-2641, <b>31</b>		184-0033, <b>9</b>	
098-7803, <b>79</b>		132-0397, <b>80</b>		150-2643, <b>31</b>		184-0034, <b>9</b>	
098-7804, <b>79</b>		132-0398, <b>80</b>		150-2724, <b>31</b>		184-0035, <b>26</b>	
098-7834, <b>79</b>		132-0399, <b>80</b>		150-2870, <b>15</b>		184-0036, <b>79</b>	
098-7850, <b>79</b>		132-0400, <b>80</b>		150-2872, <b>15</b>		184-0037, <b>79</b>	
098-8081, <b>76 , 77 , 78</b>		132-0401, <b>80</b>		150-7871, <b>14</b>		184-0039, <b>48</b>	
098-8092, <b>78</b>		132-0403, <b>80</b>		154-2699, <b>57</b>		184-0040, <b>10</b>	
098-8177, <b>79</b>		132-0404, <b>80</b>		154-3073-01, <b>57</b>		184-0041, <b>26</b>	
100-3478-08, <b>79</b>		132-0406, <b>80</b>		154-3163, <b>57</b>		184-0042, <b>26</b>	
100-3495, <b>8</b>		132-0407, <b>41</b>		154-3205, <b>55</b>		184-0043, <b>30</b>	
100-3941, <b>8</b>		132-0408, <b>80</b>		155-1002, <b>58 , 59</b>		184-0045, <b>8</b>	
101-0826-02, <b>19</b>		132-0409, <b>80</b>		155-1252, <b>45</b>		184-0047, <b>48</b>	
101-0846, <b>11</b>		132-0410, <b>41 , 80</b>		155-2029, <b>58 , 59</b>		184-0048, <b>48</b>	
102-1485, <b>48</b>		132-0411-01, <b>41</b>		155-2030, <b>58</b>		184-0049, <b>12</b>	
104-1959, <b>19</b>		132-0415, <b>41 , 79</b>		155-2033, <b>57</b>		184-0050, <b>42</b>	
104-1960-01, <b>19</b>		132-0429, <b>80</b>		155-3061, <b>57</b>		184-0051, <b>79</b>	
104-1967-02, <b>19</b>		132-0430, <b>41</b>		155-3147, <b>59</b>		184-0052, <b>14</b>	
110-3970, <b>8</b>		132-0500, <b>80</b>		155-3149, <b>59</b>		184-0053, <b>13</b>	
114-0420, <b>9</b>		134-5261, <b>36 , 37</b>		155-3216, <b>58</b>		184-0054, <b>14</b>	
115-0516, <b>29</b>		134-5275, <b>36</b>		155-3217, <b>58</b>		184-0056, <b>13</b>	
123-2236, <b>47</b>		134-5275-01, <b>37</b>		155-3218, <b>58</b>		184-0057, <b>13</b>	
123-2299, <b>29</b>		134-5360, <b>29</b>		155-3239, <b>59</b>		184-0059, <b>13</b>	
123-2300, <b>55</b>		140-2898, <b>36 , 37</b>		155-3463, <b>44</b>		184-0060, <b>13</b>	
123-2301, <b>29</b>		140-3821-02, <b>37</b>		184-0011, <b>48</b>		184-0062, <b>26</b>	
123-2302, <b>29</b>		149-1908-05, <b>33 , 35</b>		184-0013, <b>13</b>		184-0063, <b>38</b>	
123-2303, <b>29</b>		149-1914-01, <b>35</b>		184-0014, <b>8</b>		184-0064, <b>38</b>	
123-2304, <b>29</b>		149-1949, <b>35</b>		184-0015, <b>30 , 79</b>		184-0065, <b>28</b>	
123-2345, <b>47</b>		149-1952, <b>35</b>		184-0017, <b>13 , 79</b>		184-5966, <b>14</b>	
130-3570, <b>46</b>		149-1953, <b>35</b>		184-0019, <b>13 , 79</b>		185-0055, <b>13</b>	

## Numerical Index

<u>Part No.</u>	<u>Page</u>	<u>Part No.</u>	<u>Page</u>	<u>Part No.</u>	<u>Page</u>	<u>Part No.</u>	<u>Page</u>
185-2016,	9	185-5162,	29	185-5396,	27	185-5508,	30
185-2026,	9	185-5335,	55 , 79	185-5397,	27	185-5509,	30
185-2033,	9	185-5337,	26	185-5398,	27	185-5510,	30
185-2094,	8	185-5348,	24 , 25 , 79	185-5399,	27	185-5513,	79
185-2095,	8 , 23 , 79	185-5357,	9	185-5400,	27	185-5515,	11
185-2096,	48	185-5360,	9	185-5401,	27	185-5516,	11
185-2115,	8	185-5361,	9	185-5402,	27	185-5517,	11
185-2124,	30	185-5363,	27	185-5403,	27	185-5519,	11
185-2163,	12	185-5364,	27	185-5404,	27	185-5521,	28
185-2173,	14	185-5365,	27	185-5405,	27	185-5522,	28
185-2180,	15	185-5366,	27	185-5406,	27	185-5523,	28
185-2188,	8 , 23	185-5367,	27	185-5407,	28	185-5524,	28
185-2233,	8	185-5368,	27	185-5410,	30 , 79	185-5527,	28
185-2234,	8 , 30	185-5369,	27	185-5412,	8	185-5528,	28 , 79
185-2238,	38	185-5370,	27	185-5413,	8 , 79	185-5529,	28
185-2268,	79	185-5371,	27	185-5414,	8	185-5531,	55
185-2284,	13 , 15 , 26 , 28	185-5372,	27	185-5415,	8	185-5537,	24 , 25
185-2338,	15	185-5373,	27	185-5416,	8	185-5538,	24 , 25
185-2343,	48	185-5374,	27	185-5421,	26	185-5539,	24 , 25
185-2345,	26	185-5375,	27	185-5422,	16 , 17	185-5540,	24 , 25
185-2351,	24 , 25	185-5376,	27	185-5433,	39	185-5541,	24 , 25
185-2353,	9 , 12	185-5377,	27	185-5434,	39	185-5542,	24 , 25
185-2357,	12	185-5378,	27	185-5437,	11 , 79	185-5546,	24 , 25
185-2380,	13 , 16 , 24	185-5379,	27	185-5438,	79	185-5547,	24
185-2384,	29	185-5380,	27	185-5458,	38	185-5550,	24 , 25
185-2385,	26	185-5381,	27	185-5482,	8	185-5551,	24 , 25
185-2386,	10 , 12 , 24 , 25	185-5382,	27	185-5483,	8	185-5552,	24 , 25
185-2387,	10	185-5383,	27	185-5484,	8	185-5553,	24 , 25
185-2388,	8 , 38	185-5384,	27	185-5485,	8	185-5554,	10
185-2389,	30 , 48 , 55	185-5385,	27	185-5486,	8	185-5560,	10
185-2393,	14	185-5386,	27	185-5487,	8	185-5561,	10
185-2397,	30	185-5387,	27	185-5488,	8	185-5562,	10
185-2398,	30	185-5388,	27	185-5489,	8 , 12	185-5563,	10
185-2410,	79	185-5389,	27	185-5491,	8	185-5564,	10
185-2413,	23	185-5390,	27	185-5500,	23	185-5565,	10
185-2414,	23	185-5391,	27	185-5501,	23	185-5568,	9
185-2559,	11 , 39	185-5392,	27	185-5502,	23	185-5570,	9
185-2572,	42	185-5393,	27	185-5503,	23	185-5571,	9
185-4255,	24	185-5394,	27	185-5506,	30	185-5572,	9
		185-5395,	27	185-5507,	30	185-5573,	9

## Numerical Index

<u>Part No.</u>	<u>Page</u>	<u>Part No.</u>	<u>Page</u>	<u>Part No.</u>	<u>Page</u>	<u>Part No.</u>	<u>Page</u>
185-5575,	<b>9</b>	185-5649,	<b>17</b>	185-5924,	<b>10</b>	191-2240,	<b>21</b>
185-5576,	<b>9</b>	185-5650,	<b>17</b>	185-6039,	<b>8</b>	191-2241,	<b>21</b>
185-5577,	<b>9</b>	185-5651,	<b>17</b>	185-6105,	<b>11</b>	191-2245,	<b>21</b>
185-5578,	<b>9</b>	185-5652,	<b>17</b>	185-6248,	<b>79</b>	191-2246,	<b>21</b>
185-5579,	<b>9</b>	185-5653,	<b>17</b>	185-6580,	<b>8 , 79</b>	191-2247,	<b>21</b>
185-5580,	<b>9</b>	185-5654,	<b>17</b>	185-6667,	<b>38</b>	191-2250,	<b>21</b>
185-5581,	<b>9</b>	185-5655,	<b>17</b>	185-6677,	<b>38</b>	191-2251,	<b>21</b>
185-5583,	<b>9</b>	185-5656,	<b>17</b>	185-6711,	<b>30</b>	191-2252,	<b>21</b>
185-5587,	<b>19</b>	185-5657,	<b>17</b>	185-6735,	<b>16</b>	191-2253,	<b>21</b>
185-5612,	<b>26</b>	185-5658,	<b>17</b>	185-6736,	<b>16</b>	191-2254,	<b>21</b>
185-5615,	<b>26</b>	185-5659,	<b>17</b>	185-6737,	<b>16</b>	191-2255,	<b>21</b>
185-5616,	<b>27</b>	185-5660,	<b>16 , 17</b>	185-6738,	<b>26 , 27</b>	193-0244,	<b>8</b>
185-5617,	<b>27</b>	185-5661,	<b>16 , 17</b>	185-6762,	<b>23</b>	193-0388,	<b>23</b>
185-5618,	<b>27</b>	185-5662,	<b>16 , 17</b>	185-6825,	<b>27</b>	193-0430-01,	<b>8</b>
185-5619,	<b>27</b>	185-5663,	<b>16 , 17</b>	185-6851,	<b>57 , 79</b>	193-0491,	<b>23</b>
185-5621,	<b>27</b>	185-5679,	<b>15</b>	185-6853,	<b>79</b>	201-3588-02,	<b>68</b>
185-5622,	<b>27</b>	185-5680,	<b>15</b>	185-6931,	<b>15</b>	201-3607-03,	<b>69</b>
185-5623,	<b>16</b>	185-5681,	<b>15</b>	185-6956,	<b>48</b>	204-0141,	<b>68</b>
185-5624,	<b>16</b>	185-5682,	<b>15</b>	185-6981,	<b>28</b>	205-0295,	<b>68</b>
185-5625,	<b>16</b>	185-5684,	<b>15</b>	185-6999,	<b>14</b>	205-0300,	<b>69</b>
185-5626,	<b>16</b>	185-5693,	<b>13</b>	185-7069,	<b>30 , 38</b>	211-0505-01,	<b>68</b>
185-5628,	<b>12</b>	185-5696,	<b>13 , 14</b>	185-7075,	<b>10</b>	211-0521,	<b>69</b>
185-5629,	<b>12</b>	185-5698,	<b>14</b>	185-7080,	<b>13 , 79</b>	212-1276-03,	<b>68</b>
185-5630,	<b>12</b>	185-5701,	<b>14</b>	185-7082,	<b>26</b>	212-1303,	<b>68 , 69</b>
185-5631,	<b>12</b>	185-5702,	<b>14</b>	185-7086,	<b>24 , 25</b>	220-4598-01,	<b>68 , 69</b>
185-5632,	<b>12</b>	185-5703,	<b>14</b>	185-7208,	<b>38</b>	226-4824,	<b>71</b>
185-5633,	<b>12</b>	185-5707,	<b>42</b>	185-7267,	<b>13</b>	232-4111,	<b>19</b>
185-5634,	<b>12</b>	185-5709,	<b>42</b>	185-7382,	<b>30 , 79</b>	300-5336,	<b>71</b>
185-5635,	<b>12</b>	185-5712,	<b>39</b>	185-7383,	<b>11 , 79</b>	300-5464,	<b>50</b>
185-5638,	<b>17</b>	185-5713,	<b>39</b>	185-7385,	<b>10</b>	300-5725-01,	<b>76</b>
185-5639,	<b>17</b>	185-5714,	<b>39</b>	185-7393,	<b>38</b>	300-5726-01,	<b>78</b>
185-5640,	<b>17</b>	185-5715,	<b>39</b>	185-7394,	<b>24 , 25</b>	300-5727-01,	<b>77</b>
185-5641,	<b>17</b>	185-5716,	<b>39</b>	185-7395,	<b>24 , 25</b>	302-2002,	<b>71</b>
185-5642,	<b>17</b>	185-5717,	<b>39</b>	185-7407,	<b>9</b>	302-2048,	<b>77</b>
185-5643,	<b>17</b>	185-5719,	<b>29 , 38</b>	185-7421,	<b>48</b>	302-2051-01,	<b>78</b>
185-5644,	<b>17</b>	185-5720,	<b>79</b>	185-7426,	<b>28 , 29 , 79</b>	305-0995,	<b>71</b>
185-5645,	<b>17</b>	185-5747,	<b>28</b>	185-7444,	<b>30 , 79</b>	305-1006,	<b>71</b>
185-5646,	<b>17</b>	185-5798,	<b>8</b>	190-0757,	<b>19</b>	307-1617,	<b>50</b>
185-5647,	<b>17</b>	185-5826,	<b>38</b>	191-2229,	<b>20 , 21</b>	307-2767,	<b>71</b>
185-5648,	<b>17</b>	185-5833,	<b>55</b>	191-2239,	<b>21</b>	308-1019,	<b>72 , 76</b>

## Numerical Index

<u>Part No.</u>	<u>Page</u>	<u>Part No.</u>	<u>Page</u>	<u>Part No.</u>	<u>Page</u>	<u>Part No.</u>	<u>Page</u>
308-1101, <b>71</b> , <b>76</b> , <b>77</b> , <b>78</b>		338-3169-03, <b>75</b>		405-6755, <b>61</b> , <b>63</b>		502-1368, <b>33</b>	
309-0597-01, <b>57</b>		338-3961, <b>72</b>		405-6757, <b>66</b>		502-1383, <b>44</b> , <b>45</b>	
309-0667, <b>43</b>		338-3987, <b>49</b>		405-6758, <b>66</b>		502-1425-02, <b>45</b>	
319-4332-03, <b>71</b>		338-3988, <b>76</b>		405-6759, <b>61</b> , <b>63</b>		502-1463, <b>45</b>	
319-4888, <b>77</b>		338-3990, <b>77</b> , <b>78</b>		405-6761, <b>66</b>		503-0429, <b>36</b> , <b>37</b>	
319-4996, <b>76</b>		338-4015, <b>71</b>		405-6766, <b>61</b> , <b>63</b>		503-0977, <b>44</b> , <b>45</b>	
319-4997, <b>78</b>		338-4016, <b>75</b>		405-6767, <b>61</b> , <b>63</b>		503-1135, <b>41</b> , <b>43</b>	
320-1666-01, <b>71</b>		338-4017, <b>75</b>		405-6769-02, <b>61</b> , <b>63</b>		503-1136, <b>43</b>	
320-1710, <b>71</b>		363-0205, <b>71</b>		405-6774, <b>61</b> , <b>63</b>		503-1139, <b>58</b>	
320-1952, <b>71</b>		402-0728-01, <b>52</b> , <b>53</b>		405-6775, <b>61</b> , <b>63</b>		503-1142, <b>57</b> , <b>58</b> , <b>59</b>	
323-1491, <b>75</b>		403-3860, <b>33</b>		405-6776, <b>52</b> , <b>53</b>		503-1353, <b>57</b>	
323-1492, <b>75</b> , <b>76</b> , <b>77</b> , <b>78</b>		403-4474-01, <b>52</b>		405-7388, <b>19</b>		503-1692, <b>46</b>	
323-1494, <b>72</b>		403-4475-02, <b>52</b>		405-7389, <b>19</b>		503-2160, <b>43</b>	
323-1502, <b>72</b>		403-4541-02, <b>52</b> , <b>53</b>		405-8532-03, <b>65</b>		503-2161, <b>43</b>	
323-1541, <b>75</b> , <b>76</b> , <b>77</b> , <b>78</b>		403-4546-02, <b>19</b>		405-8534, <b>65</b>		503-2162, <b>43</b>	
323-1542, <b>72</b> , <b>75</b>		403-4605, <b>53</b>		405-8535-03, <b>63</b>		503-2165-01, <b>36</b>	
323-1543, <b>75</b> , <b>76</b> , <b>77</b> , <b>78</b>		403-4635-04, <b>53</b>		405-8541, <b>65</b>		503-2165-02, <b>36</b>	
323-1544, <b>72</b> , <b>75</b>		403-6463-01, <b>47</b>		406-0961, <b>66</b>		503-2177, <b>57</b>	
323-1563, <b>71</b>		405-5884, <b>61</b> , <b>63</b>		417-0223, <b>79</b>		503-2189, <b>43</b>	
323-1582-05, <b>72</b>		405-6580-02, <b>52</b>		420-0577, <b>79</b>		503-2192-01, <b>36</b> , <b>37</b>	
323-1582-06, <b>72</b>		405-6693, <b>61</b> , <b>63</b> , <b>66</b>		502-0020, <b>33</b>		503-2193, <b>41</b>	
323-1582-07, <b>72</b>		405-6711, <b>19</b>		502-0020-01, <b>8</b> , <b>33</b>		503-2200-01, <b>33</b>	
323-1583, <b>72</b>		405-6713-03, <b>61</b> , <b>63</b>		502-0028, <b>33</b>		503-2200-02, <b>33</b>	
323-1591, <b>75</b> , <b>76</b> , <b>77</b> , <b>78</b>		405-6716, <b>61</b> , <b>63</b>		502-0029, <b>33</b>		503-2200-03, <b>33</b>	
332-0142, <b>49</b>		405-6718, <b>66</b>		502-0153, <b>35</b>		503-2200-04, <b>33</b>	
332-1356, <b>69</b>		405-6721, <b>66</b>		502-0161, <b>44</b>		503-2206, <b>36</b> , <b>37</b>	
332-2370, <b>64</b> , <b>65</b>		405-6722, <b>64</b>		502-0915, <b>44</b>		503-2209-02, <b>52</b>	
332-3408, <b>49</b>		405-6726-03, <b>61</b>		502-0917, <b>8</b>		503-2212, <b>44</b>	
337-2785, <b>49</b>		405-6727-03, <b>64</b> , <b>65</b>		502-0942, <b>41</b>		503-2213, <b>44</b> , <b>45</b>	
337-2953, <b>64</b> , <b>65</b>		405-6728, <b>61</b> , <b>63</b>		502-0943, <b>41</b>		503-2309, <b>33</b> , <b>45</b>	
337-3782, <b>26</b>		405-6730, <b>61</b> , <b>63</b>		502-1177, <b>33</b>		503-2352, <b>45</b>	
338-3098, <b>75</b>		405-6734-03, <b>64</b> , <b>65</b>		502-1209, <b>41</b>		503-2396, <b>45</b>	
338-3167, <b>75</b>		405-6735-03, <b>64</b>		502-1224, <b>33</b>		504-0062, <b>44</b>	
338-3168, <b>75</b>		405-6742, <b>65</b>		502-1244, <b>33</b>		504-0206, <b>48</b>	
338-3169-00, <b>75</b>		405-6748, <b>64</b>		502-1338, <b>57</b>		504-0223, <b>45</b>	
338-3169-01, <b>75</b>		405-6749, <b>64</b> , <b>65</b>		502-1359, <b>8</b>		505-2318, <b>48</b>	
338-3169-02, <b>75</b>		405-6750, <b>64</b> , <b>65</b>		502-1360, <b>8</b>		508-0021, <b>66</b>	
		405-6751, <b>61</b> , <b>63</b>		502-1367-01, <b>33</b>		508-0051, <b>61</b> , <b>63</b>	
		405-6752, <b>61</b> , <b>63</b>		502-1367-02, <b>33</b>		508-0117, <b>44</b> , <b>64</b> , <b>65</b>	
		405-6753-02, <b>66</b>		502-1367-03, <b>33</b>		508-1095, <b>66</b>	

## Numerical Index

<u>Part No.</u>	<u>Page</u>	<u>Part No.</u>	<u>Page</u>	<u>Part No.</u>	<u>Page</u>	<u>Part No.</u>	<u>Page</u>
508-1105,	71	526-2120,	19 , 52 , 53	815-0877,	31		
508-1105-01,	71	541-0876-02,	45	815-0910,	76 , 77 , 78		
508-1151,	68	541-0899,	57	815-0927-01,	68 , 69		
508-1167,	69	541-0941-01,	79	815-0941-04,	19		
508-1228,	37	541-1522,	80	815-0974-04,	71		
508-1255,	9	541-1524,	80	818-0194,	66		
509-0196,	19 , 68 , 69	718-1020,	52 , 64 , 65	818-0237-01,	66		
509-0351,	43	725-1050,	43	821-0008,	64 , 65		
509-0359,	61 , 63	740-1002,	31	821-2035,	19 , 36 , 37		
509-0442,	8	740-1004,	24 , 57	821-6002-02,	33		
510-0099,	68	750-1004,	49	821-6003-01,	33 , 52 , 53		
510-0184,	31	750-1006,	20 , 41	821-6006-01,	47 , 49 , 50 , 61 , 63 , 64 , 65 , 71		
510-0229,	12	800-0317,	43	850-0025,	57		
511-0196,	19	800-2033,	19	850-0114-53,	41		
511-0197,	41 , 79	800-2036,	37	850-2008,	20 , 41		
512-0205-01,	19	800-2040,	52	851-0045,	19 , 68		
512-0213-01,	19	800-2043,	36 , 37	853-0013,	49		
512-0217,	19	800-2057,	19	856-0002,	71		
512-0248,	19	800-2091,	68 , 69	856-0006,	61 , 63 , 64 , 65		
517-0136,	71	800-2093,	19	856-0012,	49		
517-0386,	48	800-2515,	20	860-0008,	57		
517-0387,	23	800-3006,	52 , 53	862-0026-54,	57		
518-0515,	71	800-3017-03,	41	870-2055,	33		
518-0672,	31	800-3017-19,	41	870-2065-01,	37		
518-0699-02,	68	800-3017-29,	41	870-2065-02,	19 , 37 , 50		
520-1021,	57	800-3042,	71				
526-0017,	19 , 68 , 69	800-3044,	19	871-0010,	23		
526-0021,	52	800-6033,	61 , 63 , 65	871-0016,	64 , 65		
526-0030,	52 , 53	800-6330,	29	871-0025,	49		
526-0049,	23	800-6372,	25	895-0399,	36		
526-0052,	64 , 65	802-2068,	57				
526-0054,	20 , 49	810-0155,	64 , 65				
526-0122,	41 , 43	815-0550-01,	71				
526-0324,	52 , 53	815-0586,	49				
526-0401,	33	815-0657,	19				
526-1271,	52	815-0709-01,	53				
526-2050,	71	815-0753,	68 , 69				
526-2080,	19 , 36 , 37	815-0792-03,	71				
526-2081,	49 , 71	815-0793-05,	36				
526-2100,	19	815-0842-09,	52 , 53				

“Blank Page”







[www.cummins.com](http://www.cummins.com)

Copyright ©2015 Cummins Power Generation Inc. All rights reserved.  
Cummins, Onan, the "C" logo, and "Performance you rely on." are  
trademarks of Cummins Inc. Other company, product, or service names  
may be trademarks or service marks of others. Specifications are subject to  
change without notice.

