



Parts Manual

Cummins **Onan**

Performance you rely on.™



Marine Generator Set

MDKAL (Spec A-C)

MODEL IDENTIFICATION

To avoid errors or delay in filling your parts order, always give the MODEL, SPEC NO. and SERIAL NO. from the Onan nameplate.

For handy reference, insert your nameplate information in the spaces below.

MODEL AND SPEC NO.

SERIAL NO.

DIGITAL CONTROL SOFTWARE VERSION
AND DATE (IF APPLICABLE)

SAFETY PRECAUTIONS

The following symbols are used in Onan manuals to alert users to the potentially dangerous conditions relating to maintenance of equipment and replacement of parts. Please read and observe.



This symbol warns of immediate hazards which will result in severe personal injury or death.



This symbol refers to a hazard or unsafe practice which can result in severe personal injury or death.



This symbol refers to a hazard or unsafe practice which can result in severe personal injury or product or property damage.

PRODUCT SAFETY PRECAUTIONS



Service and repair of Onan equipment must be performed by trained, experienced personnel only. Improper service or repair may result in property damage, severe personal injury or death. Do not use this catalog as a guide to servicing your equipment. Read and follow the IMPORTANT SAFETY INSTRUCTIONS in the Service Manual appropriate for the equipment you are working on.



Contact with USED ENGINE OILS has been identified by a United States federal agency and some USA state agencies as causing CANCER or REPRODUCTIVE TOXICITY. When checking or changing engine oils take all necessary precautions not to ingest, breathe the fumes or contact the used oil.



Contact with ASBESTOS has been identified by a United States federal agency and some USA state agencies as causing CANCER or REPRODUCTIVE TOXICITY. When handling engine gaskets take all necessary precautions not to ingest, breathe or contact the dust from the gaskets! Use adequate ventilation and wear protective gloves, masks and clothing!



Contact with BENZINE and LEAD, found in gasoline, fuel additives and solvents has been identified by a United States federal agency and some USA state agencies as causing CANCER or REPRODUCTIVE TOXICITY. When checking, draining or adding gasoline and fuel additives or using solvents take all necessary precautions not to ingest, breathe the fumes or contact the liquids. Use adequate ventilation and wear protective gloves, masks and protective clothing!



Servicing and replacement of MARINE CRITICAL PARTS must be carried out by persons trained and experienced with marine gasoline engine-generator safety requirements!

Introduction

This catalog applies to the standard marine generator sets listed below. Parts are arranged in groups of related items and each illustrated part is identified by a reference number corresponding to the same reference number in the parts list. Parts illustrations are typical. Unless otherwise mentioned in the description or page heading, parts are interchangeable between models. Throughout this catalog left and right sides are determined by facing the engine end (front) of the set.

MODEL**	HERTZ	Wiring Diagram		
		AC 1 Phase	AC 3 Phase	DC Control
MDKAL/*	50	612-6666	612-6673	612-6713
MDKAL/*	60	612-6666	612-6673	612-6713

* - The diagonal line (/) in the model and specification number separates generator set characteristics from the specification number and letter. The specification number denotes customer requested options or deviations from the standard model. The specification letter advances (A to B, B to C, etc.) with major manufacturing changes.



Intentionally Left Blank



Index

A

Adapter, DC Control Threaded, **73 , 75**
Adapter, Oil Drain, **51**
Adapter, Pipe, **41**
Alternator, **37**
Alternator (12V), **38**
Alternator (24V), **39**
Alternator, 12V Isolated Ground (Spec A), **36**
Alternator, 12V Negative Ground (Spec A), **34**
Arm, Rocker, **29**
Armature, Starter (12V), **16**
Armature, Starter (24V), **17**

B

Baffle Assy, Generator, **64**
Ball, Crankshaft, **12**
Ball, Pressure Valve, **32**
Base, Fuel Filter Aluminum, **41**
Base, Mounting, **62**
Bearing, Alternator, **35**
Bearing, Alternator (24V), **40**
Bearing, Alternator Ball, **37**
Bearing, Connecting Rod, **14**
Bearing, Crankshaft, **12**
Bearing, Fork Lever, **23**
Bearing, Fuel Camshaft, **19**
Bearing, Generator Rotor Ball, **69**
Bearing, Governor Miniature, **23**
Bearing, Governor Weight, **19**
Bearing, Raw Water Pump, **48**
Bearing, Starter Ball (24V), **17**
Bearing, Starter Oilless (12V), **16**
Bearing, Water Pump, **33**
Belt, Fan, **34 , 38 , 39**
Block, Cylinder, **11**
Body, Raw Water Pump, **48**

Boot, DC Pushbutton, **73 , 75**
Boot, Engine Harness, **73 , 75**
Box, AC Control, **71**
Box, DC Control, **73 , 75**
Bracket, Alternator, **36**
Bracket, Belt Guard, **63**
Bracket, Fuel Pump/Filter Mounting, **41**
Bracket, Heat Exchanger, **47**
Bracket, Isolated Ground, **61**
Bracket, Lifting, **26**
Bracket, Oil Drain, **51**
Bracket, Oil Pressure Switch, **51**
Bracket, Relay, **75**
Bracket, Remote Separator Mounting, **43**
Bracket, Resistor, **45**
Bracket, Rocker Arm, **29**
Bracket, Stop Solenoid, **45**
Breaker & Terminal Assy, DC, **73 , 75**
Breaker, AC Control Circuit, **71**
Breaker, DC Control Circuit, **73 , 75**
Brush, Alternator, **35**
Brush, Alternator (24V), **40**
Brush, Starter Yoke (24V), **17**
Bulkhead, **41**
Bush, Governor Gear, **11**
Bushing, Connecting Rod, **14**
Bushing, Exhaust Manifold Reducer, **55**
Bushing, Idle Gear, **13**
Bushing, Pipe, **41**

C

Cam, Fuel, **19**
Camshaft, **13**
Camshaft, Fuel, **19**
Cap, Coolant Tank , **50**
Cap, Cylinder Block Sealing, **11**
Cap, Cylinder Head Sealing, **26**

Index

- Cap, Exhaust Manifold, **55**
- Cap, Injection Pump Eye Joint, **24**
- Cap, Oil Drain Hose Pipe, **51**
- Cap, Stop Lever, **22**
- Cap, Valve, **29**
- Case, Main Bearing, **18**
- Catch, Roof Spring, **66**
- Chamber, Combustion (Begin Spec B), **26**
- Circlip, Governor External, **23**
- Circlip, Governor Shaft, **19**
- Circlip, Idle Gear, **13**
- Circlip, Piston Pin, **14**
- Circlip, Rocker Arm External, **29**
- Clamp, Injection Pipe, **27**
- Clip, Front Panel Door, **65 , 67**
- Clip, Hose, **41**
- Clip, Rod End, **45**
- Clutch, Starter (12V), **16**
- Clutch, Starter (24V), **17**
- Cock Assy, Cylinder Block Drain, **11**
- Collar, Crankshaft, **12**
- Collar, Eye Joint, **24**
- Collar, Governor, **23**
- Collar, Governor Shaft, **19**
- Collar, Idle Gear, **13**
- Collar, Speed Control Plate, **21**
- Collar, Starter (12V), **16**
- Collet, Valve Spring, **29**
- Components, 12V Negative Ground Alternator (Spec A), **35**
- Components, Alternator, **37**
- Components, Alternator (24V), **40**
- Components, Captive Water Pump, **33**
- Components, Control Panel, **76**
- Components, Door, **65**
- Components, Front Panel, **65**
- Components, Injection Pump, **25**
- Components, Nozzle Holder, **28**
- Components, Rail, **68**
- Components, Raw Water Pump, **48**
- Components, Remote Water Separator, **44**
- Components, Roof, **66**
- Components, Starter, **16 , 17**
- Components, Starter (24V), **17**
- Connector, Fuel System Female, **41**
- Connector, Fuel System Male, **41**
- Control, AC, **71**
- Control, DC, **73 , 75**
- Cord, Glow Plug, **27**
- Coupling, Oil System Anchor, **51**
- Cover Assy, Generator Housing, **64**
- Cover, AC Control Box, **71**
- Cover, AC Control Circuit Breaker, **71**
- Cover, Alternator Bearing, **35**
- Cover, Alternator Bearing (24V), **40**
- Cover, Bearing Case, **18**
- Cover, Cylinder Head, **31**
- Cover, DC Control Box, **73 , 75**
- Cover, Endbell, **69**
- Cover, Flywheel Housing, **15**
- Cover, Fork Lever Shaft, **23**
- Cover, Gearcase Oil Fill, **32**
- Cover, Head Cover Oil Fill, **31**
- Cover, Heat Exchanger End, **47**
- Cover, Hole, **11 , 24**
- Cover, Oil Filter Hole, **32**
- Cover, Oil Pump, **32**
- Cover, Roof Access, **66**
- Cover, Sound Shield Exhaust Access, **67**
- Cover, Thermostat, **30**
- Crankshaft, **12**

D

- Disk, Generator Rotor Drive, **69**
- Door Assy, Sound Shield, **64**
- Drain Assy, Water Separator, **44**

Index

E

Edging, Front Panel, **65**
Edging, Generator Housing, **67**
Edging, Heat Exchanger Bracket, **47**
Edging, Rail, **68**
Edging, Roof, **66**
Elbow, Exhaust, **55**
Elbow, Inverted Male, **41**
Elbow, Male, **41**
Elbow, Oil System, **51**
Elbow, Pipe, **41**
Elbow, Street, **43**
Elbow, Vacuum Relief Valve, **49**
Element, Breather, **31**
Element, Fuel Filter, **41**
Element, Remote Water Separator, **44**
Endbell, **69**
Engine Assy, Replacement, **11**
Exchanger, Heat, **47**

F

Fan, Generator, **69**
Filter, Fuel, **41**
Filter, Oil, **32**
Fitting, Oil Filter Connector, **32**
Flange, Bulkhead, **68**
Flange, Injection Pump Sleeve, **25**
Flange, Water, **30**
Flange, Water Pump, **33**
Flywheel, **15**
Fuse, **61**

G

Gasket, Bearing Case, **18**
Gasket, Bearing Case Cover, **18**
Gasket, Cap Nut, **31**

Gasket, Cylinder Block Plug, **11**
Gasket, Cylinder Head, **26**
Gasket, Cylinder Head Cover, **31**
Gasket, Delivery Valve, **25**
Gasket, Exhaust Manifold, **55**
Gasket, Eye Joint, **24**
Gasket, Fork Lever Shaft Cover, **23**
Gasket, Gearcase, **32**
Gasket, Heat Exchanger End Cover, **47**
Gasket, Hole Cover, **11** , **24**
Gasket, Injection Pump, **25**
Gasket, Intake Manifold, **53**
Gasket, Nozzle Holder, **27**
Gasket, Oil Pan, **52**
Gasket, Oil Pan Plug, **52**
Gasket, Overflow Pipe, **27**
Gasket, Raw Water Pump, **47**
Gasket, Speed Control Plate, **20** , **21**
Gasket, Stop Lever, **22**
Gasket, Thermostat, **30**
Gasket, Water Flange, **30**
Gasket, Water Pump, **33**
Gauge, Coolant Temperature, **76**
Gauge, Oil Pressure, **76** , **81**
Gauge, Water Temperature, **81**
Gear, Cam, **13**
Gear, Crankshaft, **12**
Gear, Governor, **19**
Gear, Idle, **13**
Gear, Injection Pump, **19**
Gear, Oil Pump Drive, **12**
Gear, Ring, **15**
Gear, Starter (12V), **16**
Gear, Starter Pinion (24V), **17**
Gearcase, **32**
Generator, **69**
Governor, **23**
Grommet, AC Control Box, **71**

Index

Grommet, Baffle, **64**
Grommet, DC Control Box, **73 , 75**
Grommet, DC Harness, **73 , 75**
Grommet, Front Panel, **65**
Grommet, Rear Rail, **68**
Grommet, Roof, **66**
Grommet, Stator Housing, **69**
Grommet, Vacuum Relief Valve, **49**
Ground, Isolated, **61**
Ground, Negative, **58**
Guard, Belt, **63**
Guard, Starter, **15**
Guide, Valve, **26**

H

Hanger, Coolant Tank, **50**
Harness, Adapter, **83**
Harness, DC, **73 , 75**
Harness, Deluxe Remote Panel, **79 , 80**
Harness, Engine, **73 , 75**
Harness, Gauge Panel, **76**
Harness, Isolated Ground, **61**
Harness, Junction, **83**
Harness, Low Coolant, **55 , 56**
Harness, Low Coolant , **56**
Harness, Pigtail, **83**
Harness, Remote Extension, **83**
Harness, Remote Panel, **78 , 81**
Harnesses, **82 , 83**
Head Assy, Water Separator Replacement, **44**
Head, Cylinder, **26**
Holder Assy, Brush (24V), **17**
Holder Assy, Starter (12V), **16**
Holder, Alternator Brush, **35**
Holder, Alternator Brush (24V), **40**
Holder, Delivery Valve, **25**

Holder, Fuse, **61**
Holder, Governor Gear, **19**
Holder, Nozzle, **27 , 28**
Hose, Air Intake, **53**
Hose, Breather, **31**
Hose, Coolant, **47 , 55**
Hose, Coolant Tank, **50**
Hose, Exhaust, **55**
Hose, Oil Drain, **51**
Hourmeter, **73 , 75**
Housing Assy, Generator, **64**
Housing, Flywheel, **15**
Housing, Generator, **67**
Housing, Raw Water Pump, **48**

I

Impeller, Captive Water Pump, **33**
Impeller, Raw Water Pump, **48**
Indicator, Oil Level, **11**
Inlet Assy, Generator, **64**
Insulation, Control Box, **64**
Insulation, Door, **65**
Insulation, Front Panel, **65**
Insulation, Generator Baffle, **64**
Insulation, Generator Housing, **66 , 67**
Insulation, Generator Housing Cover, **64**
Insulation, Inlet Baffle, **64**
Insulation, Roof, **66**
Isolator, Control Mount Vibration, **77**
Isolator, Generator/Engine Vibration, **62**

J

Joint, Breather Pipe, **31**
Joint, Eye, **24**
Joint, Stop Solenoid Ball, **45**

K

Key, Camshaft Feather, **13**

Index

Key, Crankshaft, **12**
Key, Fuel Camshaft Woodruff, **19**
Key, Raw Water Pump, **48**
Kit, Basic Remote Panel, **78**
Kit, Coolant Recovery, **50**
Kit, Deluxe Remote Panel, **79 , 80**
Kit, Dry Exhaust, **55**
Kit, Dual Gauge Switch, **76**
Kit, Exhaust, **55**
Kit, Gauge Panel, **76**
Kit, Heat Exchanger Cap, **47**
Kit, Isolated Ground, **61**
Kit, Keel Cooling, **11**
Kit, Low Coolant Sender, **55**
Kit, Muffler, **42 , 57**
Kit, Muffler, Fuel/Water Separator, **42**
Kit, Raw Water Pump Service, **48**
Kit, Remote Fuel/Water Separator, **43**
Kit, Remote Gauge Panel, **81**
Kit, Remote Water Separator Metal Bowl Replacement, **44**
Kit, Sender, **30**
Kit, Siphon Break, **49**
Kit, Sound Shield, **64**
Kit, Sound Shield Insulation, **64**
Kit, Water Separator, **42**

L

Labels, **85**
Lever Assy, Governor, **20 , 22**
Lever, Engine Stop, **20 , 21**
Lever, Fork, **23**
Lever, Governor, **22**
Lever, Speed Control, **20 , 21**
Lever, Speed Control Plate Change, **21**
Line, Flex Fuel, **43**
Line, Fuel, **41**

Line, Oil, **51**
Link, Stop Solenoid, **45**

M

Manifold, Exhaust, **55**
Manifold, Intake, **53**
Meter, Hour, **79**
Meter, Running Time, **81**
Meter, Volt, **80 , 81**
Mixer, **55**
Mount, Control, **77**
Mount, Engine, **62**
Muffler, **42 , 57**

O

O'Ring Kit, Water Separator, **44**
O'Ring, Cylinder Block Pipe Pin, **11**
O'Ring, Cylinder Head , **26**
O'Ring, Gearcase, **32**
O'Ring, Gearcase Oil Fill Cover, **32**
O'Ring, Head Cover Oil Fill Cover, **31**
O'Ring, Heat Exchanger Cover, **47**
O'Ring, Hole Cover, **32**
O'Ring, Injection Pump, **25**
O'Ring, Oil Filter Cover, **32**
O'Ring, Oil Pickup Tube, **52**
O'Ring, Oil Pump Drive Gear, **12**
O'Ring, Raw Water Pump, **48**
O'Ring, Speed Control Plate, **20 , 21**
Oil System, **51**

P

Pan, Drip, **62**
Pan, Oil, **52**
Panel Assy, Front, **64**
Panel, Basic Remote Control, **78**

Index

Panel, Control, **73**
Panel, DC Control, **75**
Panel, DC Control Box Rear, **73 , 75**
Panel, Deluxe Remote Control, **79 , 80**
Panel, Rear Saddle, **77**
Panel, Remote, **81**
Panel, Remote Gauge Control, **81**
Panel, Remote Printed, **79 , 80**
Pencil, Zinc, **47**
Piece, Distance, **28**
Piece, Nozzle, **28**
Pin, Cylinder Block Pipe, **11**
Pin, Cylinder Block Start Spring, **11**
Pin, Cylinder Block Straight, **11**
Pin, Injection Pump Clamp, **25**
Pin, Injection Pump Joint, **25**
Pin, Piston, **14**
Pin, Speed Control Plate Spring, **20 , 21**
Pin, Tappet Guide, **25**
Pipe, Injection, **27**
Pipe, Overflow, **27**
Pipe, Water Return, **30 , 33**
Piston, **14**
Plate, AC Control Circuit Breaker, **71**
Plate, Alternator Back, **37**
Plate, Breather Element, **31**
Plate, Injection Pump, **25**
Plate, Raw Water Pump Cover, **48**
Plate, Raw Water Pump Wear, **48**
Plate, Speed Control, **20 , 21**
Plug, Cylinder Block, **11**
Plug, Cylinder Head, **26**
Plug, Exhaust Manifold, **55**
Plug, Fuel Filter Drain, **41**
Plug, Gearcase, **32**
Plug, Glow, **27**
Plug, Hex Pipe, **43**

Plug, Injection Pump, **25**
Plug, Oil Pan, **52**
Plug, Oil System Hex Head Pipe, **51**
Plug, Rail, **68**
Plug, Water Flange, **30**
Plunger, Pump, **25**
Pulley, Alternator, **37**
Pulley, Fan, **34 , 38 , 39**
Pulley, Fan Drive, **34 , 38 , 39**
Pump Assy, Water Separator, **44**
Pump, Fuel, **41**
Pump, Injection, **24 , 25**
Pump, Raw Water, **47**
Pump, Water, **33**

R

Rack, Injection Pump Control, **25**
Rail Assy, Sound Shield, **64**
Rectifier, Alternator, **35**
Rectifier, Alternator (24V), **40**
Rectifier, DC Harness, **73 , 75**
Regulator, Alternator, **35**
Regulator, Alternator (24V), **40**
Regulator, Voltage, **75**
Regulator, Voltage , **73**
Regulator, Voltage (Spec A), **61**
Relay, **73 , 75**
Relay, DC Harness, **75**
Relay, Isolated Ground Solenoid, **61**
Resistor, DC Harness, **73 , 75**
Resistor, Fuel Pump (24V), **45**
Resistor, Gauge Panel, **76**
Resistor, Remote Panel, **81**
Resonator, **53 , 57**
Resonator/Muffler, **57**
Retainer, Starter (24V), **17**
Retainer, Valve Spring, **29**

Index

Ring, Piston, **14**
Ring, Raw Water Pump Retaining, **48**
Ring, Starter Snap (12V), **16**
Rod, Camshaft Push, **13**
Rod, Connecting, **14**
Rod, Nozzle Holder Push, **28**
Roller, Starter (24V), **17**
Roof Assy, **64**
Rotor Assy, **37**
Rotor, Alternator, **35** , **37**
Rotor, Alternator (24V), **40**
Rotor, Generator, **69**
Rotor, Generator Exciter, **69**
Rotor, Oil Pump, **32**

S

Saddle, Control, **77**
Seal, Bearing Case Oil, **18**
Seal, Door Edge, **65**
Seal, Endbell O'Ring, **69**
Seal, Front Panel Edge, **65**
Seal, Gearcase Oil, **32**
Seal, Generator Housing Edge, **67**
Seal, Heat, **27**
Seal, Raw Water Pump Lip, **48**
Seal, Raw Water Pump Mechanical, **48**
Seal, Speed Control Plate Oil, **20** , **21**
Seal, Valve Stem, **29**
Seal, Water Pump Mechanical, **33**
Seat, Injection Pump Spring, **25**
Seat, Pressure Valve, **32**
Seat, Raw Water Pump Seal, **48**
Sender, Low Coolant, **55**
Sender, Oil Pressure, **51**
Sender, Water Temperature, **30**
Separator, Fuel/Water, **42**
Separator, Remote Fuel/Water, **43**
Separator, Remote Fuel/Water Separator, **43**
Separator, Remote Water, **44**
Separator, Water, **42**
Set, Piston Ring, **14**
Shaft, Fork Lever, **23**
Shaft, Governor, **19** , **21**
Shaft, Governor Weight, **19**
Shaft, Idle Gear, **13**
Shaft, Raw Water Pump, **48**
Shaft, Rocker Arm, **29**
Shaft, Rotor, **37**
Shaft, Stop Lever, **20** , **21**
Shield, Breather Oil, **31**
Shield, Sound, **64**
Shim, Injection Pump, **24** , **25**
Shim, Speed Control Plate, **21**
Sleeve, Air Intake, **53**
Sleeve, Crankshaft, **12**
Sleeve, Governor, **19**
Sleeve, Injection Pump Control, **25**
Socket, DC Harness Relay, **73** , **75**
Solenoid, Stop, **45**
Spacer, Raw Water Pump, **48**
Spring, Alternator Brush, **35**
Spring, Alternator Brush (24V), **40**
Spring, Brush (24V), **17**
Spring, Delivery Valve, **25**
Spring, Governor, **23**
Spring, Governor Start, **23**
Spring, Injection Pump Plunger, **25**
Spring, Nozzle, **28**
Spring, Pressure, **32**
Spring, Rocker Arm, **29**
Spring, Speed Control Plate Return, **20** , **21**
Spring, Valve, **29**
Standoff, AC Control Insulator, **71**
Starter, **15**
Stator Assy, **37**

Index

Stator Assy, Alternator, **37**
Stator, Exciter, **69**
Stator, Generator, **69**
Stay, Alternator, **34 , 36 , 38 , 39**
Stopper, Camshaft, **13**
Stopper, Fuel Camshaft, **19**
Strainer, Slotted, **57**
Strainer, Water Pickup, **42**
Strap, AC Control Bond, **71**
Strap, Bond, **58**
Strap, Heat Exchanger Mounting, **47**
Strike, Door Spring, **65**
Strip, Isolated Ground, **61**
Support, Voltage Regulator, **75**
Switch, Deluxe Remote Rocker, **79 , 80**
Switch, Hi Water Temperature, **30**
Switch, Low Oil Pressure, **51**
Switch, Manual Transfer (On/Off Shore), **84**
Switch, Remote Panel Rocker, **78**
Switch, Rocker, **73 , 75 , 81**
Switch, Starter Magnetic (12V), **16**
Switch, Starter Magnetic (24V), **17**
Switch, Temperature, **55**

System, Cooling, **47**

T

Tank, Coolant Recovery, **50**
Tank, Recovery, **50**
Tappet, Camshaft, **13**
Tappet, Injection Pump, **25**
Tee, Oil System Pipe, **51**
Tee, Vacuum Relief Valve, **49**
Thermostat, **30**
Tube, Exhaust, **55**
Tube, Oil Pickup, **52**
Tube, Water, **47**

V

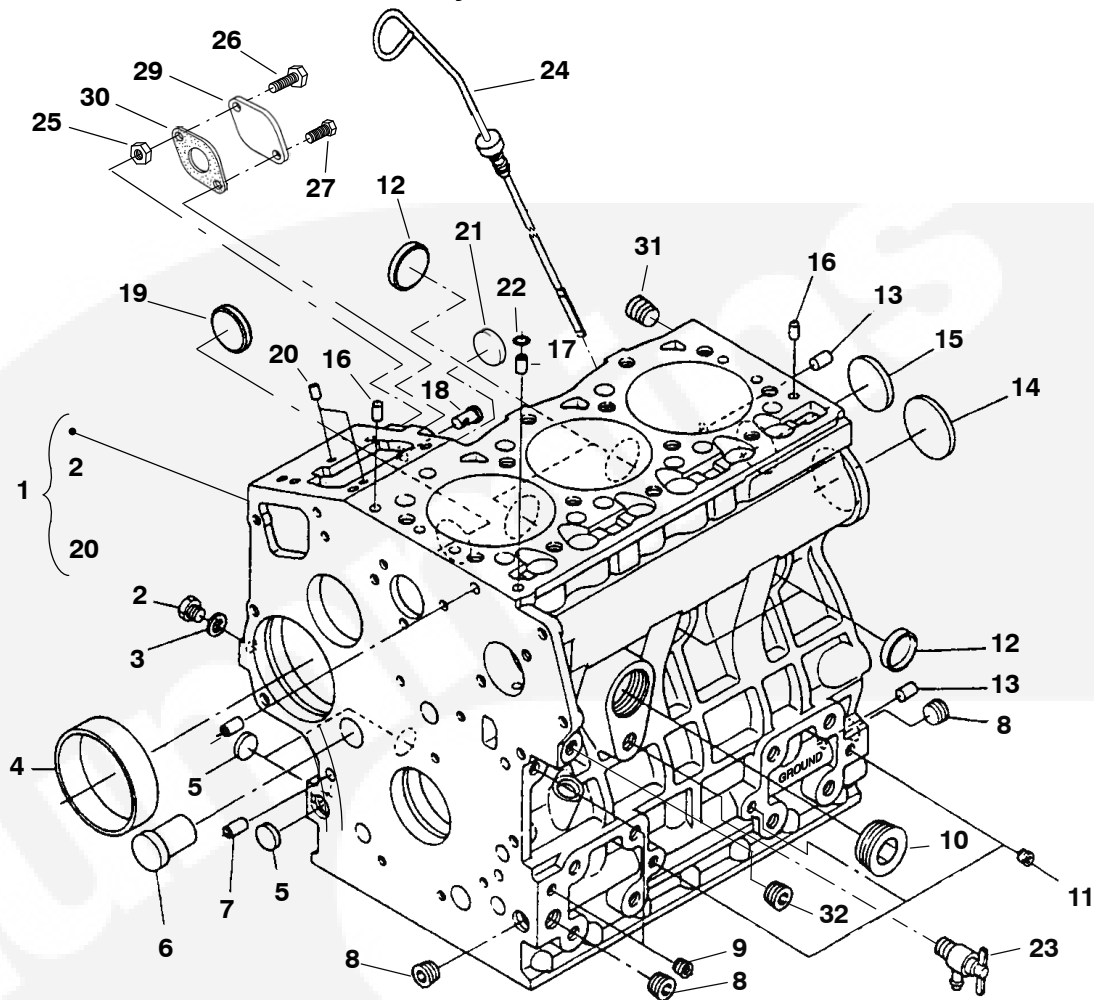
Valve, **29**
Valve, Delivery, **25**
Valve, Vacuum Relief, **49**
Voltmeter, **76**

W

Weight, Governor, **19**



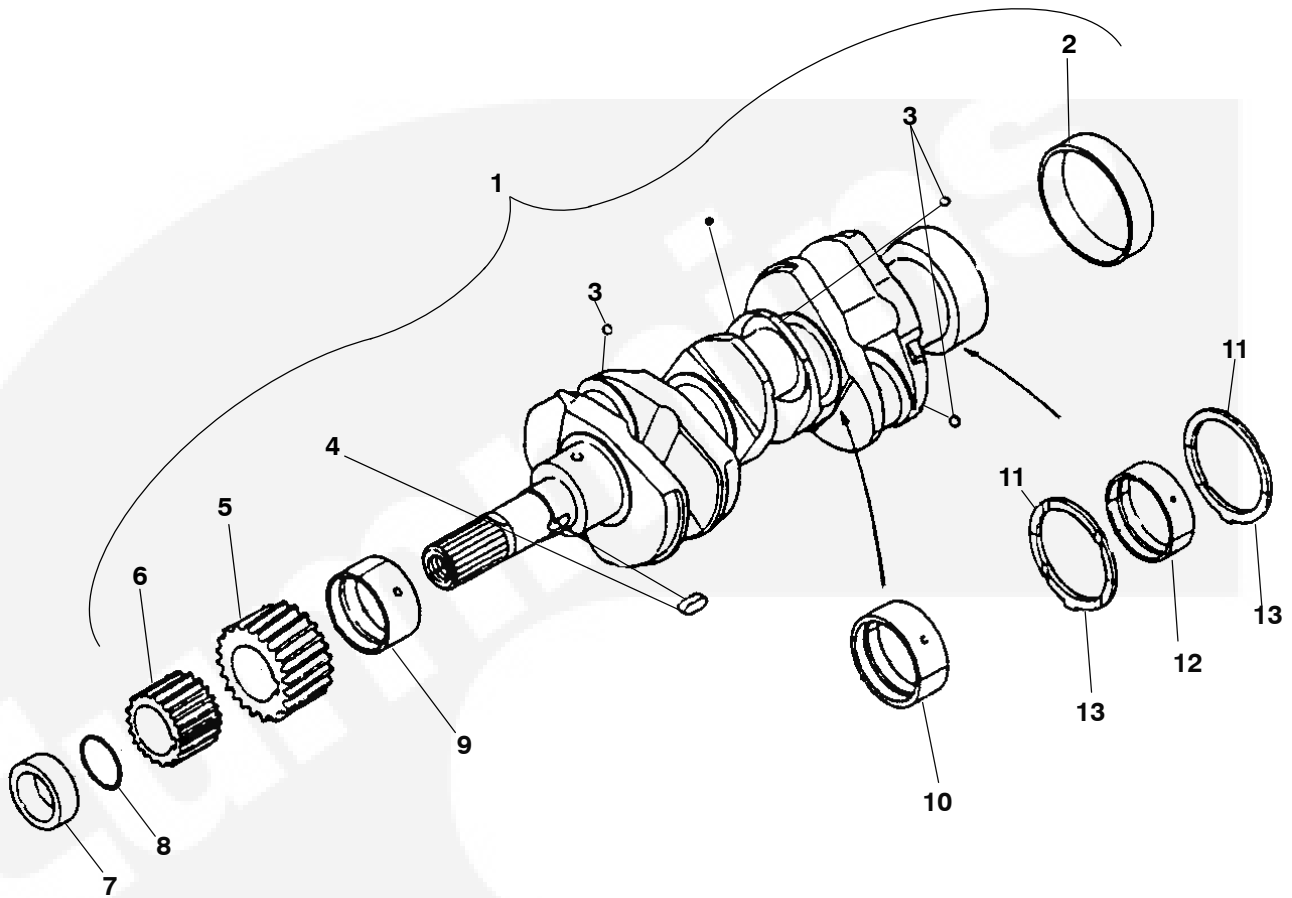
Cylinder Block



REF NO.	PART NO.	QTY USED	PART DESCRIPTION	REF NO.	PART NO.	QTY USED	PART DESCRIPTION
			Engine Assy, Replacement Spec A	12	185-5484	4	*Cap, Sealing
			50Hz	13	185-5487	2	*Pin, Straight
	100-3443-01	1	12V	14	185-6040	1	*Plug, Expansion
	100-3443-02	1	24V	15	185-2412	1	*Cap, Sealing
			60Hz	16	185-5843	2	*Pin, Straight
	100-3442-01	1	12V	17	185-6469	1	*Pin, Pipe
	100-3442-02	1	24V	18	185-6857	1	*Pin, Start Spring
			Begin Spec B	19	185-7212	1	*Plug
	100-3616-01	1	12V	20	185-5486	2	*Pin, Straight
	100-3616-02	1	24V	21	185-6889	1	Cap, Sealing
1		1	Block, Cylinder (Includes Parts Marked *)	22	185-2095	1	O'Ring
	185-6855	1	Spec A	23	185-5490	1	Cock Assy, Drain
	185-7372	1	Begin Spec B	24	185-6866	1	Indicator, Oil Lever
2	185-5845	1	*Plug	25	185-2367	1	Nut
3	185-2338	1	*Gasket	26	185-2565	1	Bolt
4	185-6472	1	*Bush, Governor Gear	27	185-2403	1	Bolt
5	185-6121	3	*Plug, Expansion	28	155-3199	1	Kit, Keel Cooling (Includes Cover and Gasket)
6	185-6471	1	*Plug	29	185-6578	1	Cover
7	185-2115	2	*Pin, Pipe	30	185-6579	1	Gasket
8	185-6468	3	*Plug	31	185-6039	1	Plug
9	185-2233	2	*Plug	32	185-5502	1	Plug
10	185-6856	1	*Plug				
11	185-2188	3	*Plug				

* - Parts Included in Cylinder Block.

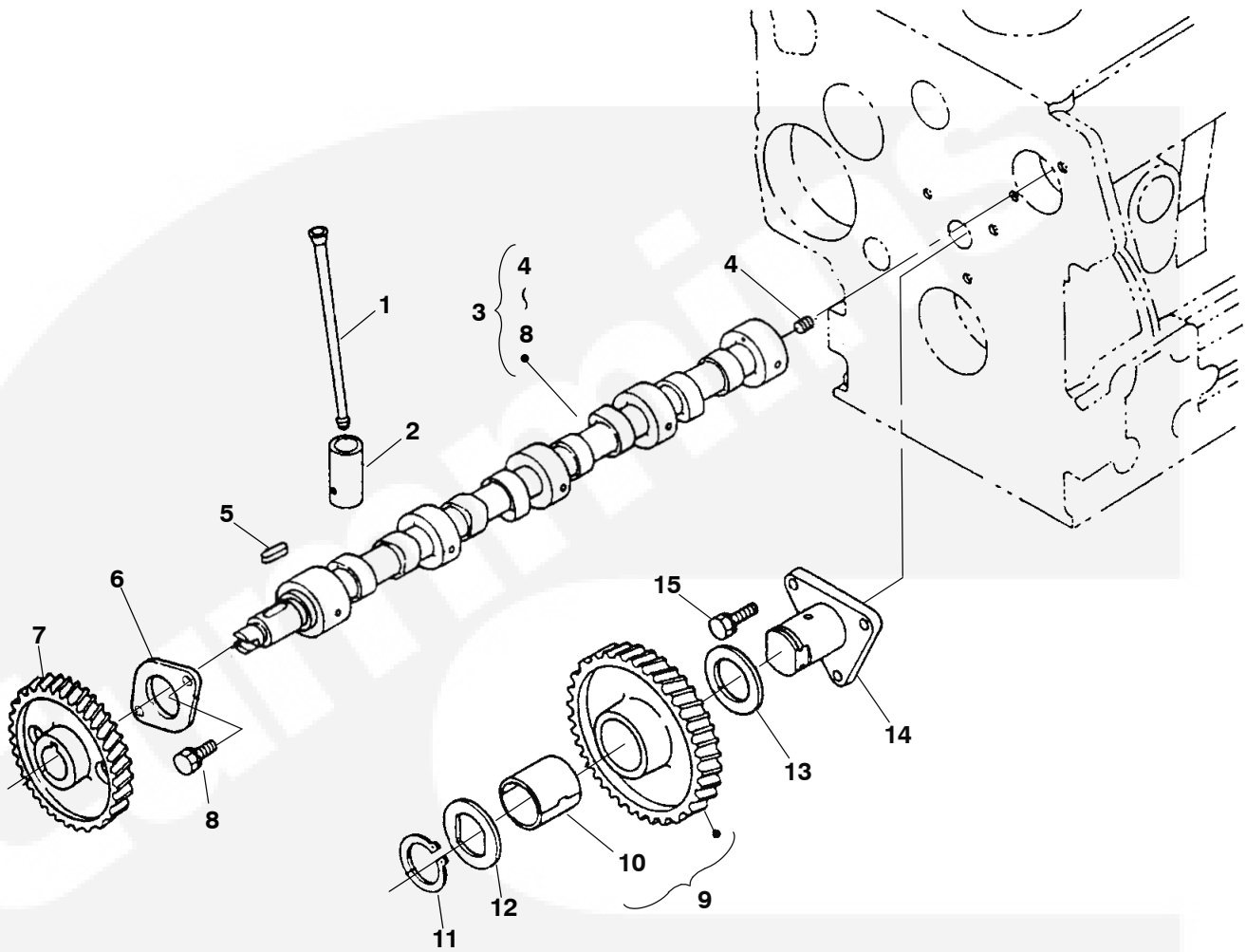
Crankshaft



REF NO.	PART NO.	QTY USED	PART DESCRIPTION	REF NO.	PART NO.	QTY USED	PART DESCRIPTION
1			Crankshaft (Includes Parts Marked *)	11			Washer, Thrust
	185-6874	1	Spec A		185-5938	2	Standard
	185-7376	1	Begin Spec B		185-6555	2	.2mm, Oversize
2	185-6543	1	*Sleeve, Crankshaft		185-6556	2	.4mm, Oversize
3	185-5924	3	*Ball	12			Bearing, Crankshaft
4	185-6541	1	*Key		185-6552	1	Standard
5	185-6540	1	*Gear, Crankshaft		185-6553	1	.2mm, Undersize
6	185-6542	1	*Gear, Oil Pump Drive		185-6554	1	.4mm, Undersize
7	185-6544	1	Collar, Crankshaft	13			Washer, Thrust
8	185-6545	1	O'Ring		185-5941	2	Standard
9			Bearing, Crankshaft		185-5942	2	.2mm, Oversize
	185-6546	1	Standard		185-5943	2	.4mm, Oversize
	185-6547	1	.2mm, Undersize				
	185-6548	1	.4mm, Undersize				
10			Bearing, Crankshaft				
	185-6549	2	Standard				
	185-6550	2	.2mm, Undersize				
	185-6551	2	.4mm, Undersize				

* - Parts Included in Crankshaft.

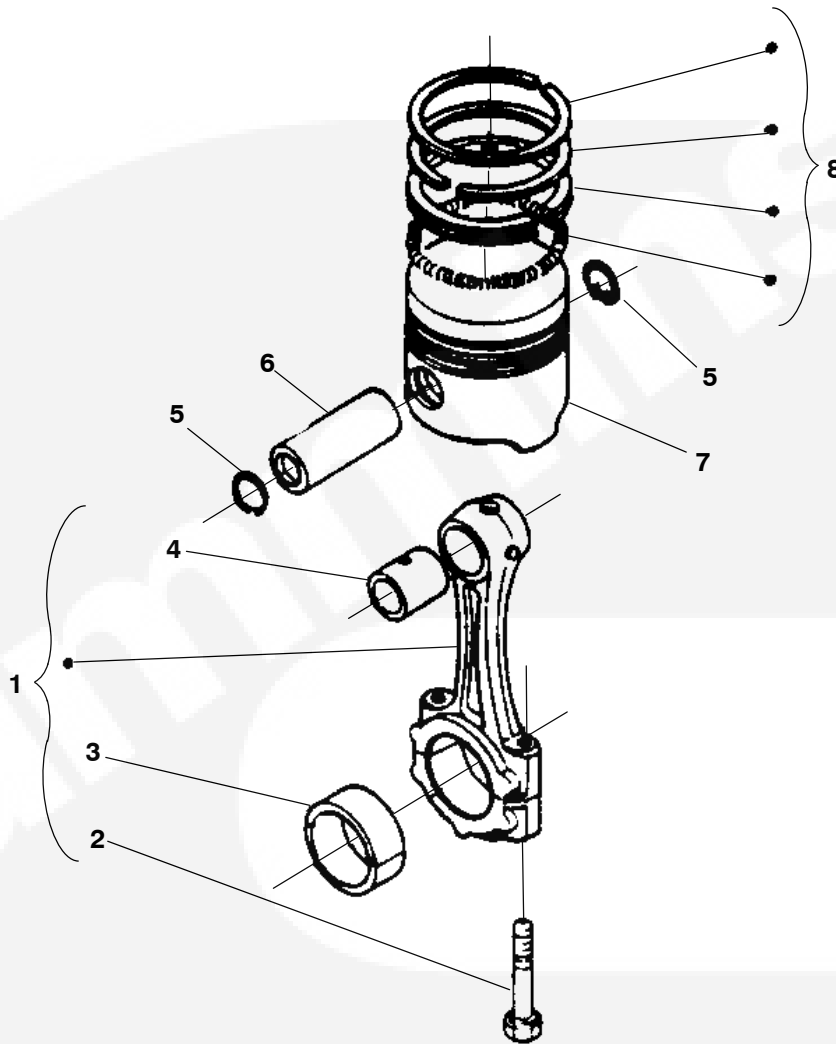
Camshaft



REF NO.	PART NO.	QTY USED	PART DESCRIPTION	REF NO.	PART NO.	QTY USED	PART DESCRIPTION
1	185-6517	6	Rod, Push	10	185-6522	1	Bushing, Idle Gear
2	185-6516	6	Tappet	11	185-6525	1	Circlip, Idle Gear
3	185-6873	1	Camshaft Assy (Includes Parts Marked *)	12	185-6524	1	Collar, Idle Gear
4	185-5558	1	*Screw, Set	13	185-6523	1	Collar, Idle Gear
5	185-5560	1	*Key, Feather	14	185-6526	1	Shaft, Idle Gear
6	185-6520	1	*Stopper, Camshaft	15	185-2388	3	Bolt
7	185-6519	1	*Gear, Cam				
8	185-2387	2	*Bolt				
9	185-6521	1	Gear Assy, Idle (Includes Bushing)				

* - Parts Included in Camshaft Assy.

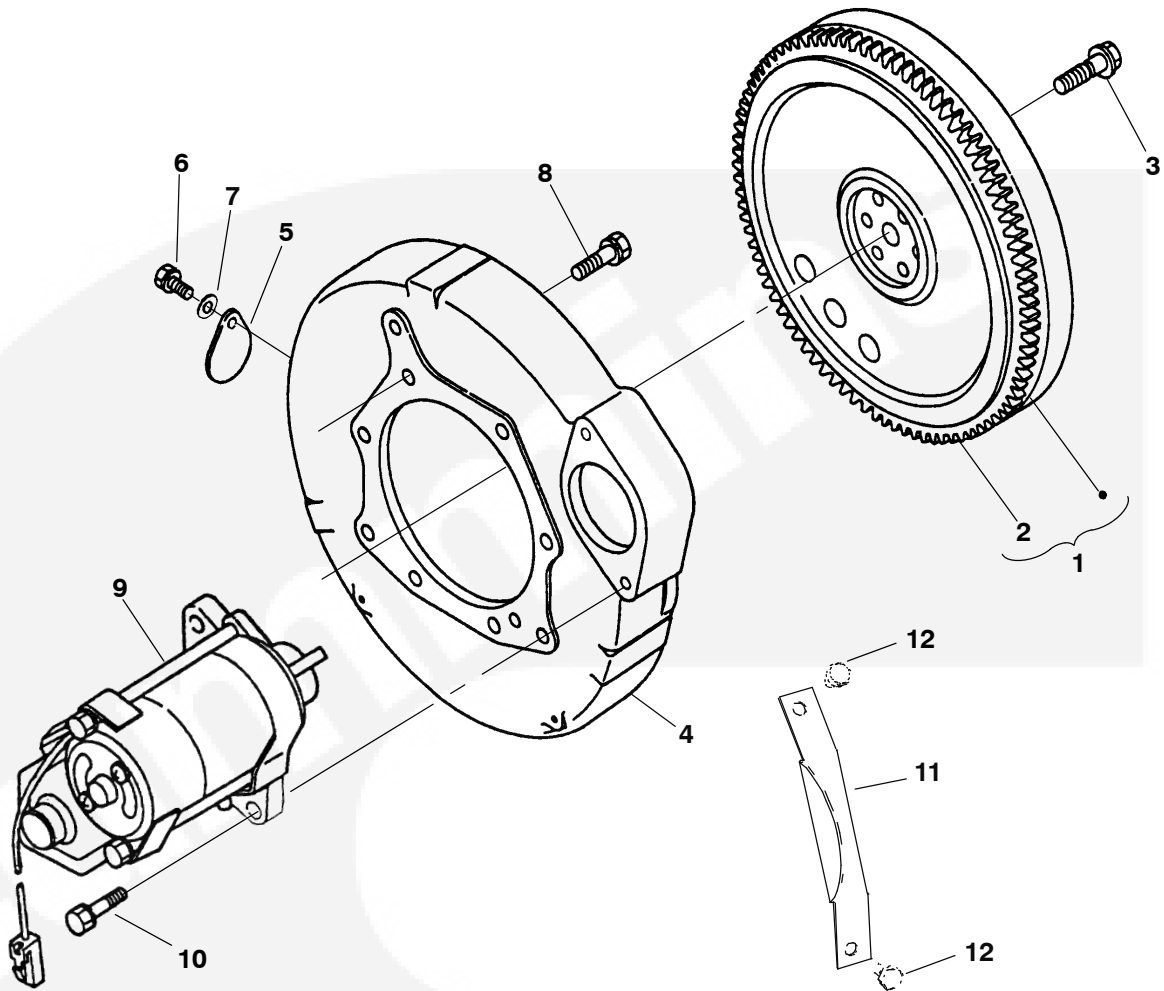
Piston



REF NO.	PART NO.	QTY USED	PART DESCRIPTION	REF NO.	PART NO.	QTY USED	PART DESCRIPTION
1	185-6533	3	Rod Assy, Connecting (Includes Bolt, Bearing and Bushing)	8			Ring Set, Piston Spec A
2	185-6535	6	Bolt, Connecting Rod	185-6529	3	3	Standard
3	185-6536	3	Bearing, Connecting Rod	185-6530	3	3	.5mm Oversize
	185-6537	3	Standard				Begin Spec B
	185-6538	3	.2mm Undersize	185-7310	3	3	Standard
4	185-6534	3	.4mm Undersize	185-7311	3	3	.5mm Oversize
4	185-6534	3	Bushing, Connecting Rod				
5	185-6532	6	Circlip, Piston Pin				
6	185-6531	3	Pin, Piston				
7			Piston				
			Spec A				
	185-6745	3	Standard				
	185-6746	3	.5mm Oversize				
			Begin Spec B				
	185-7308	3	Standard				
	185-7309	3	.5mm Oversize				

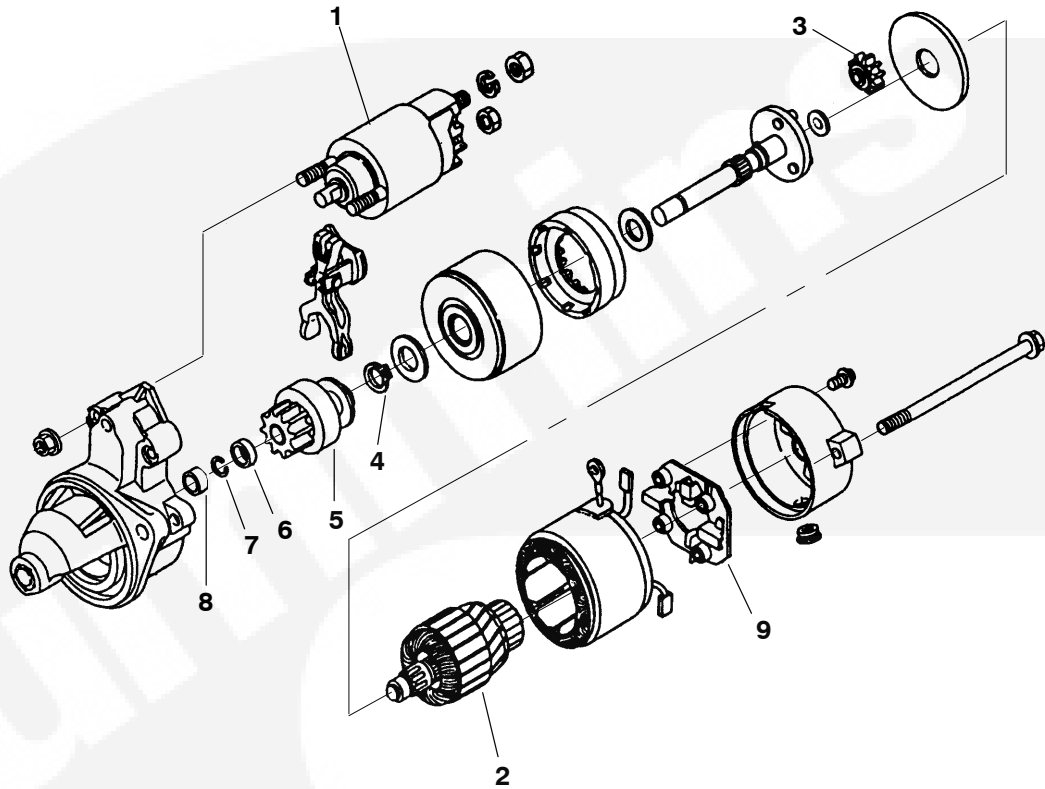


Flywheel



REF NO.	PART NO.	QTY USED	PART DESCRIPTION	REF NO.	PART NO.	QTY USED	PART DESCRIPTION
1	185-7217	1	Flywheel (Includes Ring Gear)	9		1	Starter (See Separate Page for Components)
2	185-2170	1	Gear, Ring		185-7104	1	12V
3	185-6409	6	Bolt, Flywheel		185-7105	1	24V
4	185-7218	1	Housing, Flywheel	10	185-2564	2	Screw
5	185-7219	1	Cover	11	191-2275-02	1	Guard, Starter
6	185-7222	1	Bolt	12	815-0194	2	Screw, Hex Head (#10-32 x .38")
7	185-7221	1	Washer, Plain				
8	185-2178	8	Bolt				

Starter Components (12V)

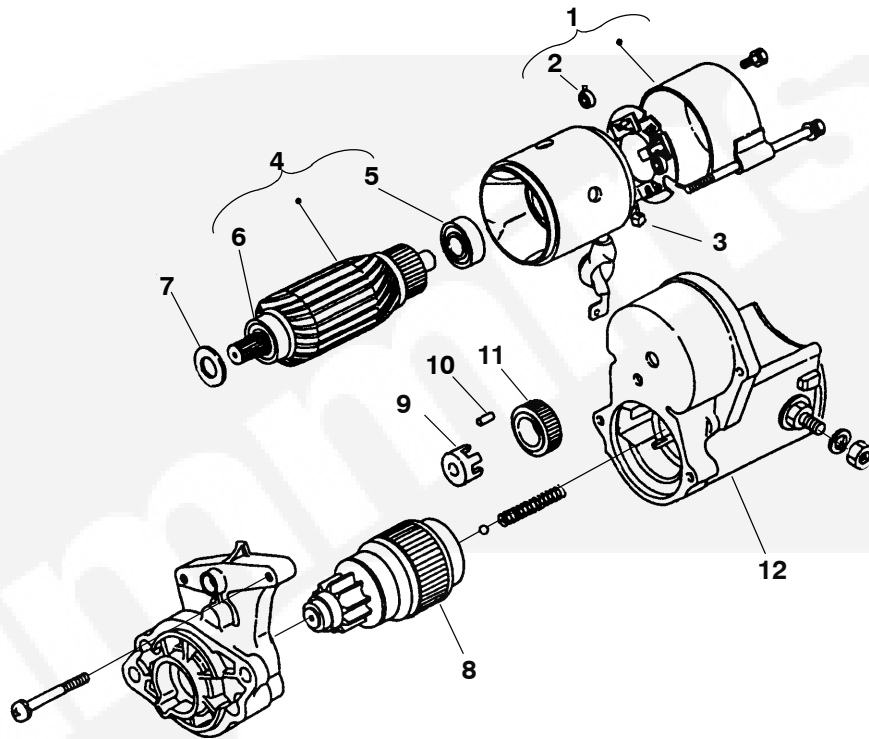


REF NO.	PART NO.	QTY USED	PART DESCRIPTION	REF NO.	PART NO.	QTY USED	PART DESCRIPTION
	185-7104	1	Starter	6	185-7236	1	Collar
1	185-2658	1	Switch, Magnetic	7	185-6386	1	Ring, Snap
2	185-7231	1	Armature	8	185-7233	1	Bearing, Oilless
3	185-7234	3	Gear	9	185-7230	1	Holder, Brush
4	185-7235	1	Ring, Snap				
5	185-7232	1	Clutch, Starter				

Note: Parts not Identified are Not For Sale.



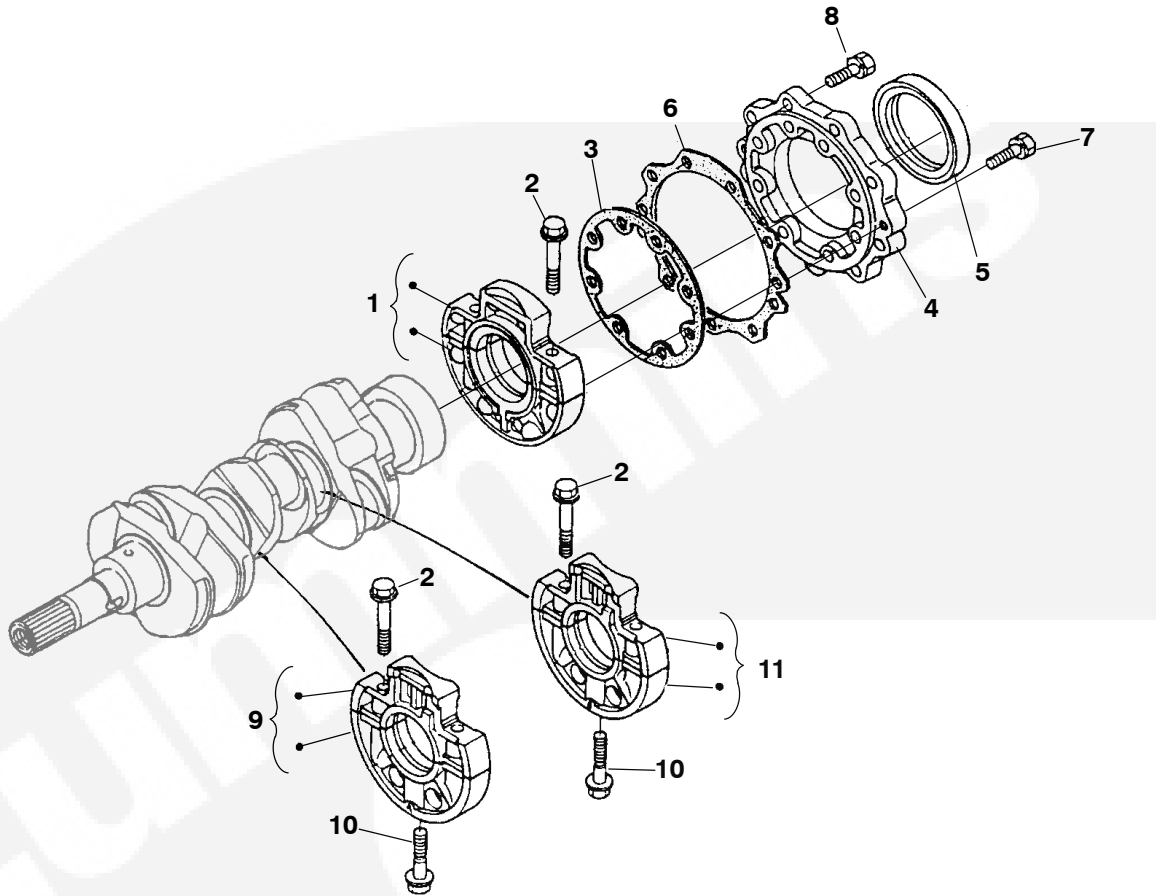
Starter Components (24V)



REF NO.	PART NO.	QTY USED	PART DESCRIPTION	REF NO.	PART NO.	QTY USED	PART DESCRIPTION
	185-7105	1	Starter	8	185-6354	1	Clutch
1	185-7240	1	Holder Assy, Brush	9	185-6362	1	Retainer
2	185-6358	4	Spring, Brush	10	191-2252	5	Roller
3	185-7237	2	Brush, Yoke	11	185-7296	5	Gear, Pinion
4	185-7238	1	Armature	12	185-7239	1	Switch, Magnetic
5	185-6442	1	Bearing, Ball				
6	185-6441	1	Bearing, Ball				
7	185-6365	1	Washer, Felt				

Note: Parts Not Identified are Not Sold Separately.

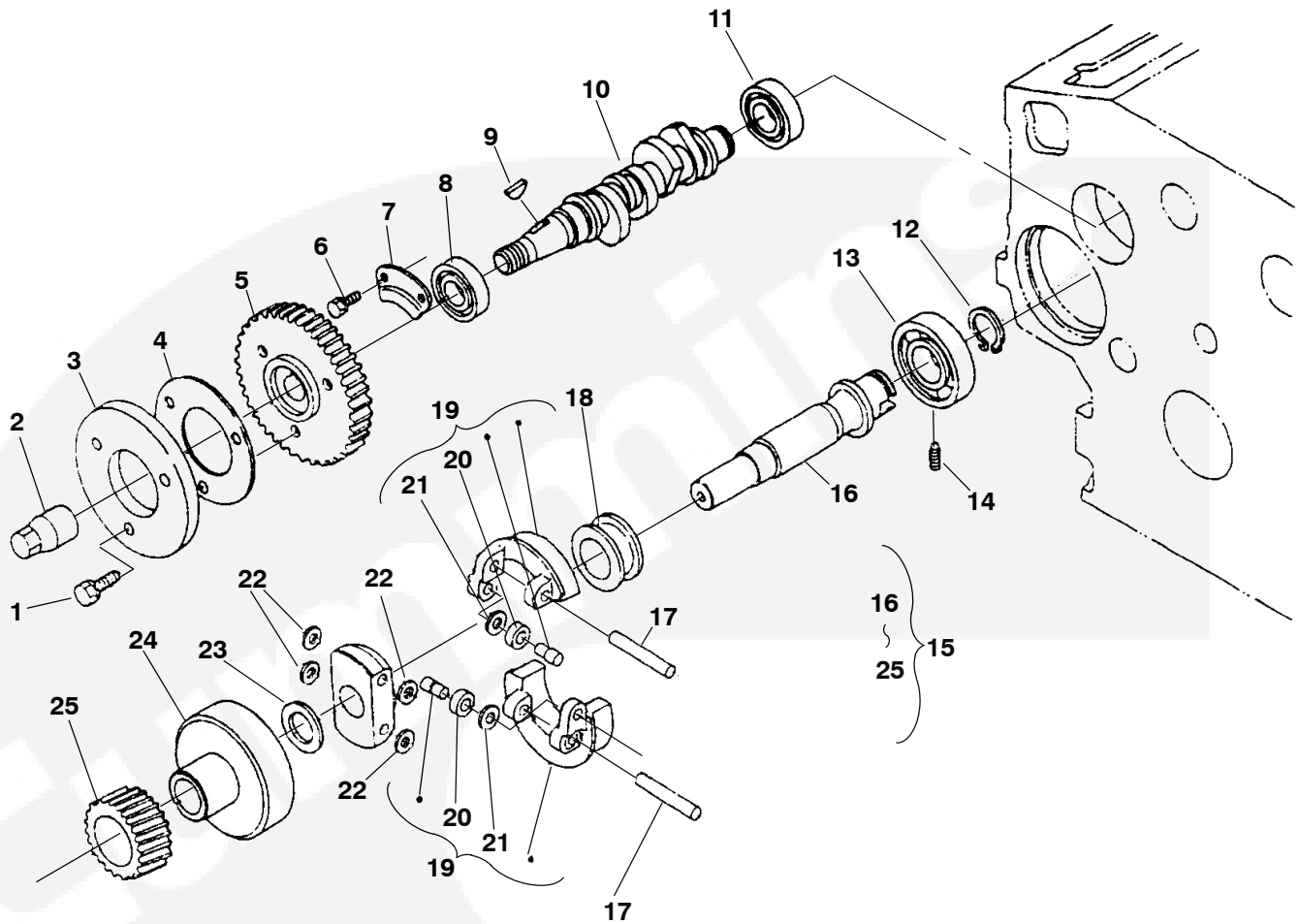
Main Bearing Case



REF NO.	PART NO.	QTY USED	PART DESCRIPTION	REF NO.	PART NO.	QTY USED	PART DESCRIPTION
1	185-6506	1	Case Assy, Main Bearing	8	185-2390	9	Bolt
2	185-6507	6	Bolt, Bearing Case	9	185-6512	1	Case Assy, Main Bearing
3	185-6869	1	Gasket, Bearing Case	10	185-6513	2	Bolt, Bearing Case
4	185-6509	1	Cover, Bearing Case	11			Case Assy, Main Bearing
5	185-6510	1	Seal, Oil		185-6872	1	Spec A
6	185-6871	1	Gasket, Bearing Case Cover		185-7306	1	Begin Spec B
7	185-2391	8	Bolt				



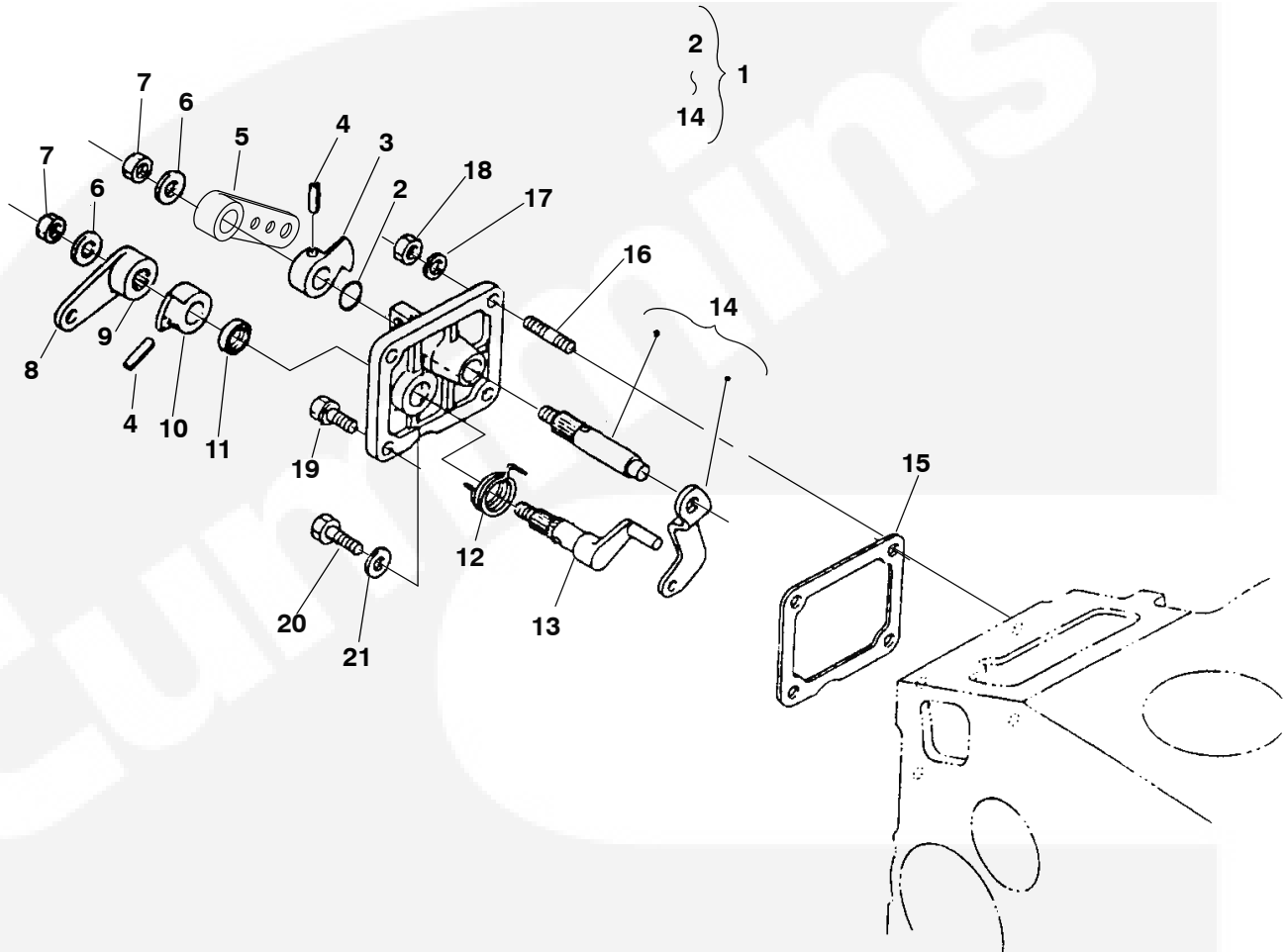
Fuel Camshaft



REF NO.	PART NO.	QTY USED	PART DESCRIPTION	REF NO.	PART NO.	QTY USED	PART DESCRIPTION
1	185-2389	3	Bolt	16	185-6878	1	*Shaft, Governor
2	185-6560	1	Nut, Cap	17	185-6569	2	*Shaft, Governor Weight
3	185-6876	1	Cam, Fuel	18	185-6570	1	*Sleeve, Governor
4	185-6879	1	Washer	19	185-6567	2	*Weight, Governor (Includes Bearing and Washer)
5	185-6558	1	Gear, Injection Pump	20	185-5959	2	Bearing
6	185-2386	2	Bolt	21	185-5960	2	Washer
7	185-6562	1	Stopper, Fuel Camshaft	22	185-6568	4	*Washer, Governor Weight
8	185-3093	1	Bearing, Ball	23	185-6566	1	*Collar, Governor Shaft
9	185-6561	1	Key, Woodruff	24	185-6880	1	*Holder, Governor Gear
10	185-6875	1	Camshaft, Fuel	25	185-6565	1	*Gear, Governor
11	510-0163	1	Bearing, Ball				
12	185-6572	1	Circlip, Governor Shaft				
13	185-6571	1	Bearing, Ball				
14	185-6573	1	Screw, Set				
15	185-6877	1	Shaft Assy, Governor (Includes Parts Marked *)				

* - Parts Included in Governor Shaft Assy.

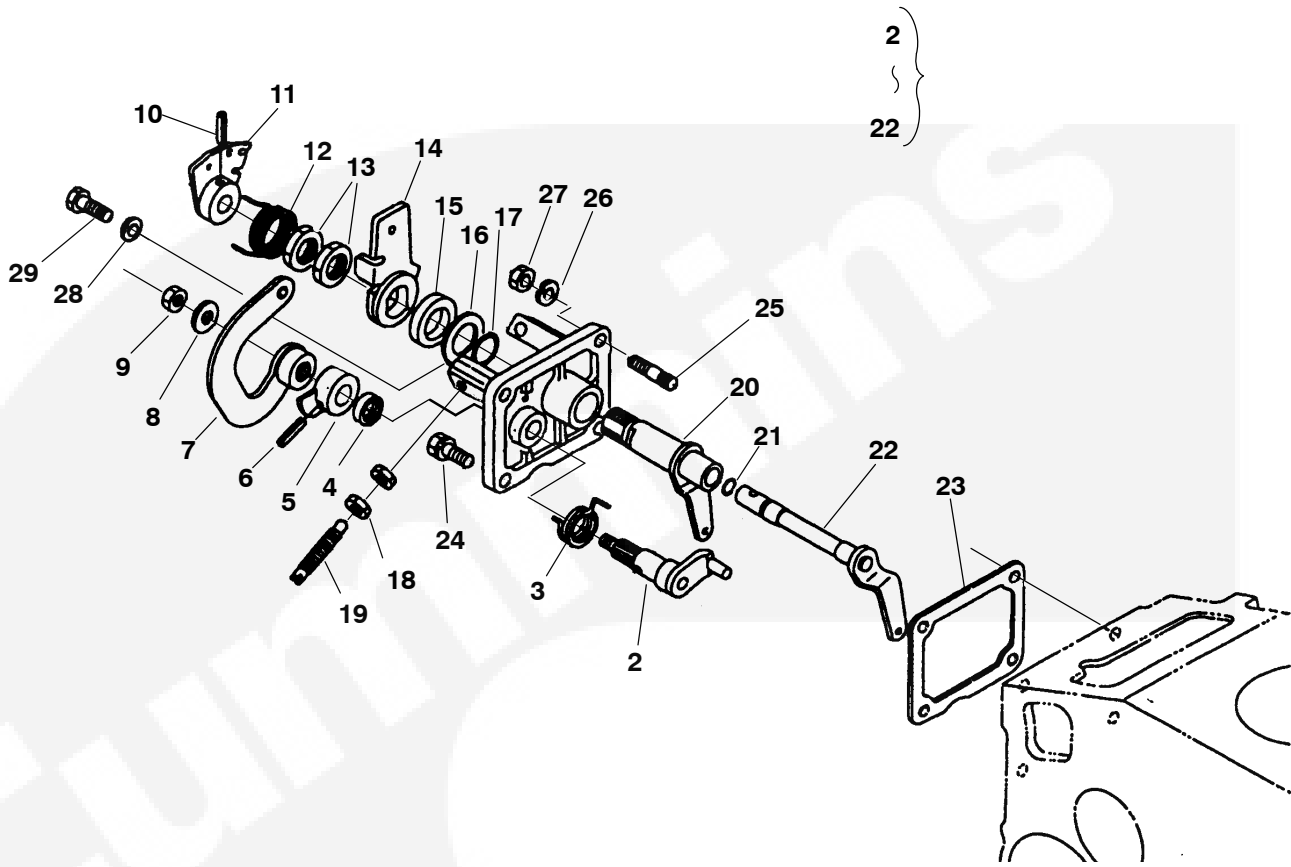
Speed Control Plate (Spec A)



REF NO.	PART NO.	QTY USED	PART DESCRIPTION	REF NO.	PART NO.	QTY USED	PART DESCRIPTION
1	185-7224	1	Plate Assy, Control (Includes Parts Marked *)	12	185-6893	1	*Spring, Return
2	185-5673	1	*O'Ring	13	185-6615	1	*Shaft, Stop Lever
3	185-6609	1	*Lever, Speed Control	14	185-6612	1	*Lever Assy, Governor
4	185-2351	2	*Pin, Spring	15	185-6894	1	Gasket
5	185-6607	1	*Lever, Speed Control	16	185-2359	2	Stud
6	185-6610	2	*Washer, Plain	17	185-2380	2	Washer, Spring
7	185-6611	2	*Nut	18	185-4255	2	Nut
8	185-6613	1	*Lever, Engine Stop	19	185-2388	1	Bolt
9	526-0174	1	Washer, Flat (13/32")	20	185-5688	1	Bolt
10	185-6608	1	*Lever, Speed Control	21	185-2284	1	Gasket
11	185-2461	1	*Seal, Oil				

* - Parts Included in Control Plate Assy.

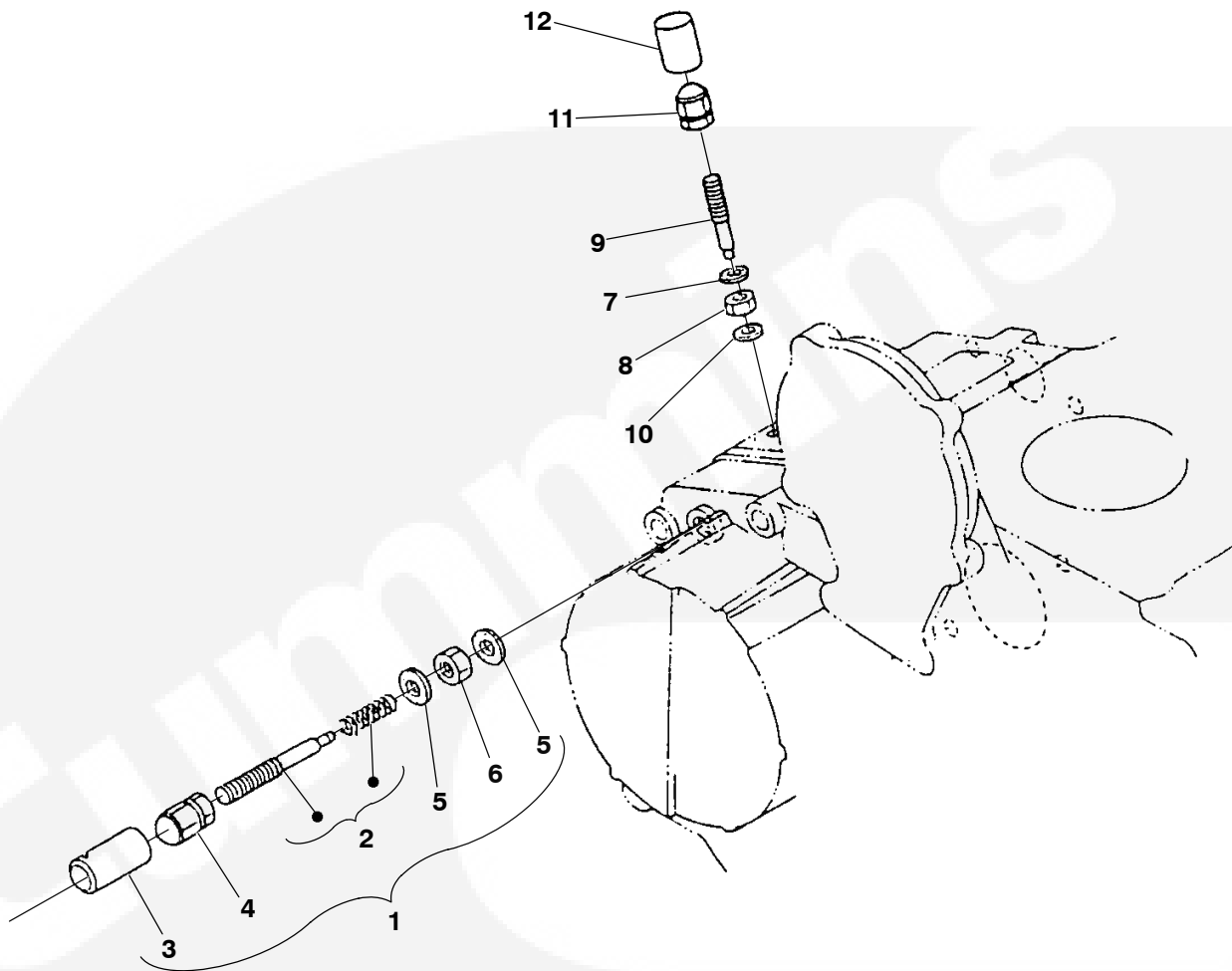
Speed Control Plate (Begin Spec B)



REF NO.	PART NO.	QTY USED	PART DESCRIPTION	REF NO.	PART NO.	QTY USED	PART DESCRIPTION
1	185-7256	1	Plate Assy, Control (Includes Parts Marked *)	16	185-7261	1	*Shim
2	185-6615	1	*Shaft, Stop Lever	17	185-5691	1	*O'Ring
3	185-6614	1	*Spring, Return	18	185-7380	1	*Nut, Lock
4	185-2461	1	*Seal, Oil	19	185-7381	1	*Bolt, Adjusting
5	185-7262	1	*Lever, Speed Control	20	185-7260	1	*Shaft, Governor
6	185-2351	1	*Pin, Spring	21	185-2347	1	*O'Ring
7	185-7257	1	*Lever, Engine Stop	22	185-7259	1	*Shaft, Governor
8	185-6610	1	*Washer, Plain	23	185-6894	1	Gasket
9	185-6611	1	*Nut	24	185-2388	1	Bolt
10	185-5696	1	*Pin, Spring	25	185-2359	2	Stud
11	185-7263	1	*Lever, Change	26	185-6759	2	Washer, Spring
12	185-7264	1	*Spring, Return	27	185-4255	2	Nut
13	185-5693	2	*Nut, Speed Control	28	185-2284	1	Gasket
14	185-7379	1	*Lever, Speed Control	29	185-5688	1	Bolt
15	185-5690	1	*Collar				

* - Parts Included in Control Plate Assy.

Governor Lever

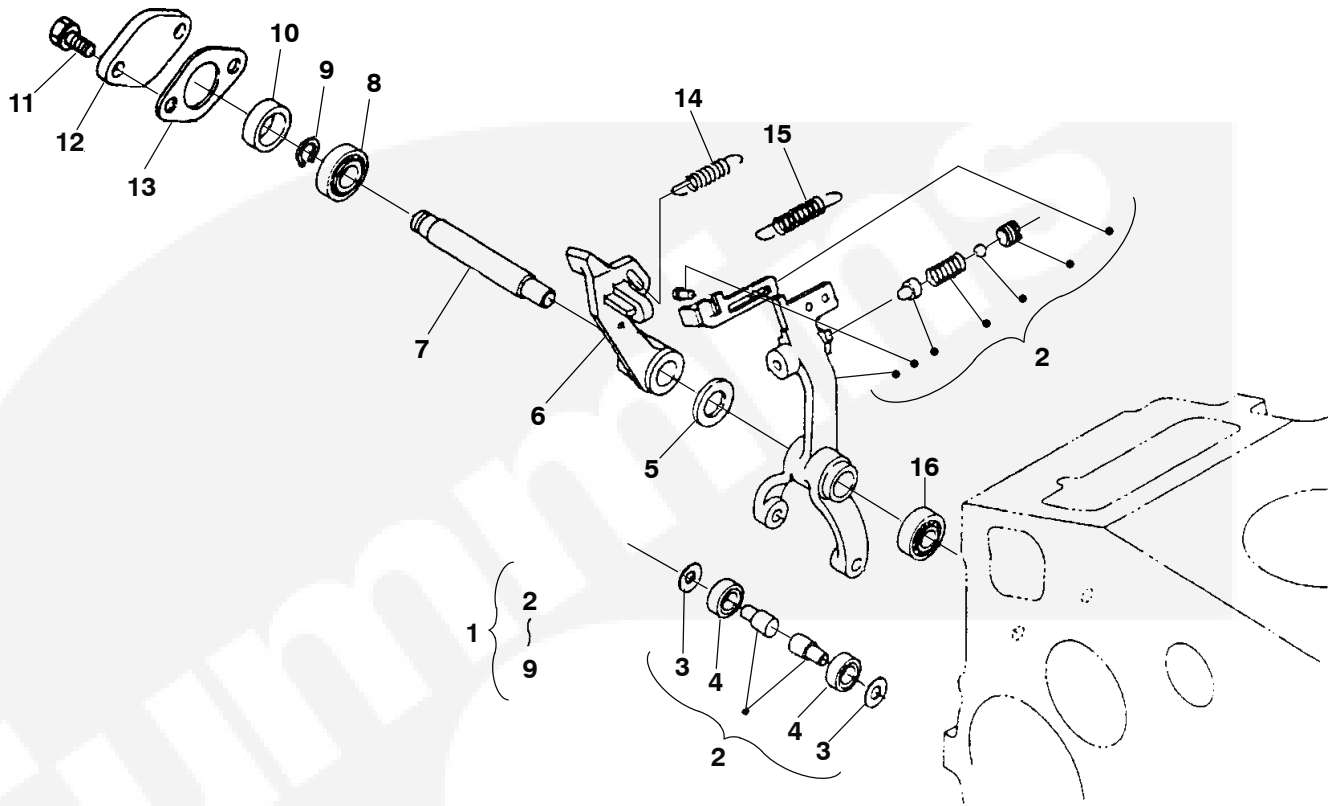


REF NO.	PART NO.	QTY USED	PART DESCRIPTION	REF NO.	PART NO.	QTY USED	PART DESCRIPTION
1	185-6574	1	Lever Assy, Governor (Includes Parts Marked *)	8	185-6931	1	Nut, Lock
2	185-6575	1	*Bolt Assy, Adjusting	9	185-6577	1	Bolt, Adjusting
3	185-6930	1	*Cap	10	185-6881	1	Gasket
4	185-5685	1	*Nut, Cap	11	185-5685	1	Nut, Cap
5	185-2284	2	*Gasket	12	185-6932	1	Cap
6	185-5684	1	*Nut				
7	185-2284	1	Gasket				

* - Parts Included in Governor Lever Assy.



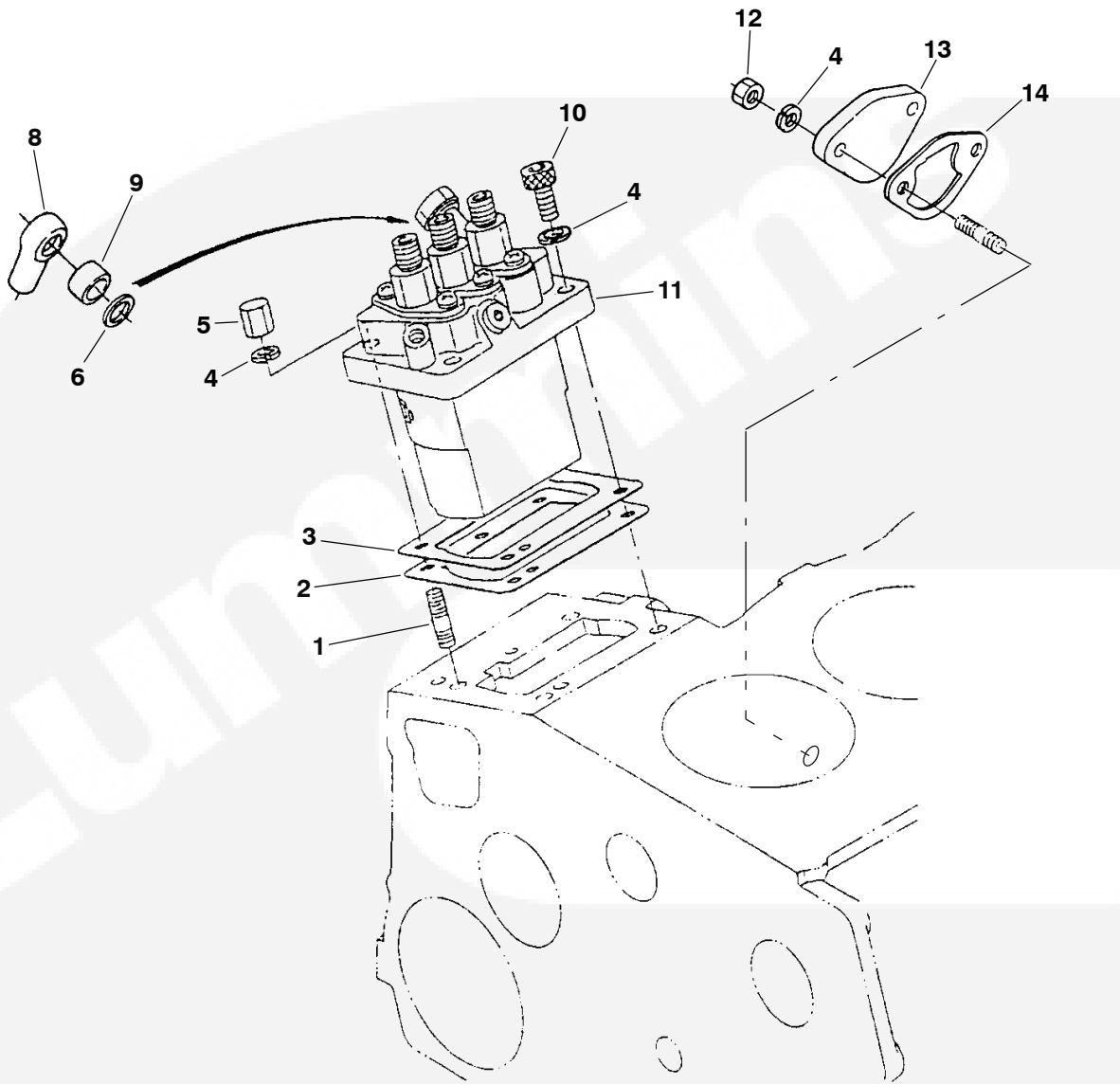
Governor



REF NO.	PART NO.	QTY USED	PART DESCRIPTION	REF NO.	PART NO.	QTY USED	PART DESCRIPTION
1			Lever Assy, Fork (Includes Parts Marked *)	10	185-6604	1	Collar
	185-6595	1	Spec A	11	185-2387	2	Bolt
	185-7254	1	Begin Spec B	12	185-6602	1	Cover, Fork Lever Shaft
2			*Lever, Fork (Includes Washer and Bearing)	13	185-6603	1	Gasket
	185-6596	1	Spec A	14			Spring, Governor Spec A
	185-7255	1	Begin Spec B		185-6594	1	60 Hz
3	185-5960	2	Washer		185-7101	1	50 Hz
4	185-5959	2	Bearing				Begin Spec B
5	185-6163	1	*Washer, Plain		185-7377	1	60 Hz
6	185-6598	1	*Lever, Fork		185-7378	1	50 Hz
7	185-6599	1	*Shaft, Fork Lever	15	185-6891	1	Spring, Start
8	185-6600	1	*Bearing, Miniature	16	185-6605	1	Bearing, Miniature
9	185-6601	1	*Circlip, External				

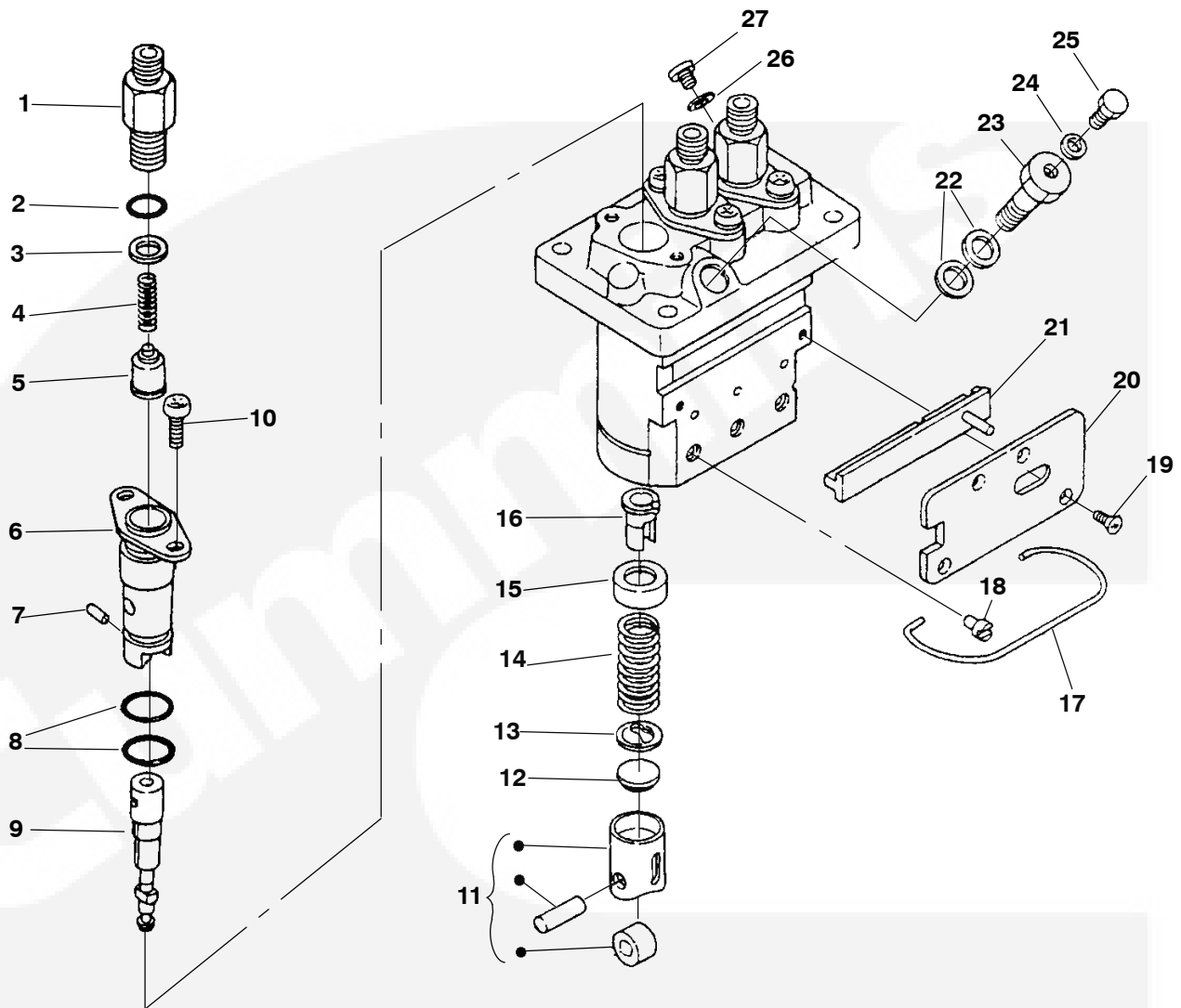
* - Parts Included in Fork Lever Assy.

Injection Pump



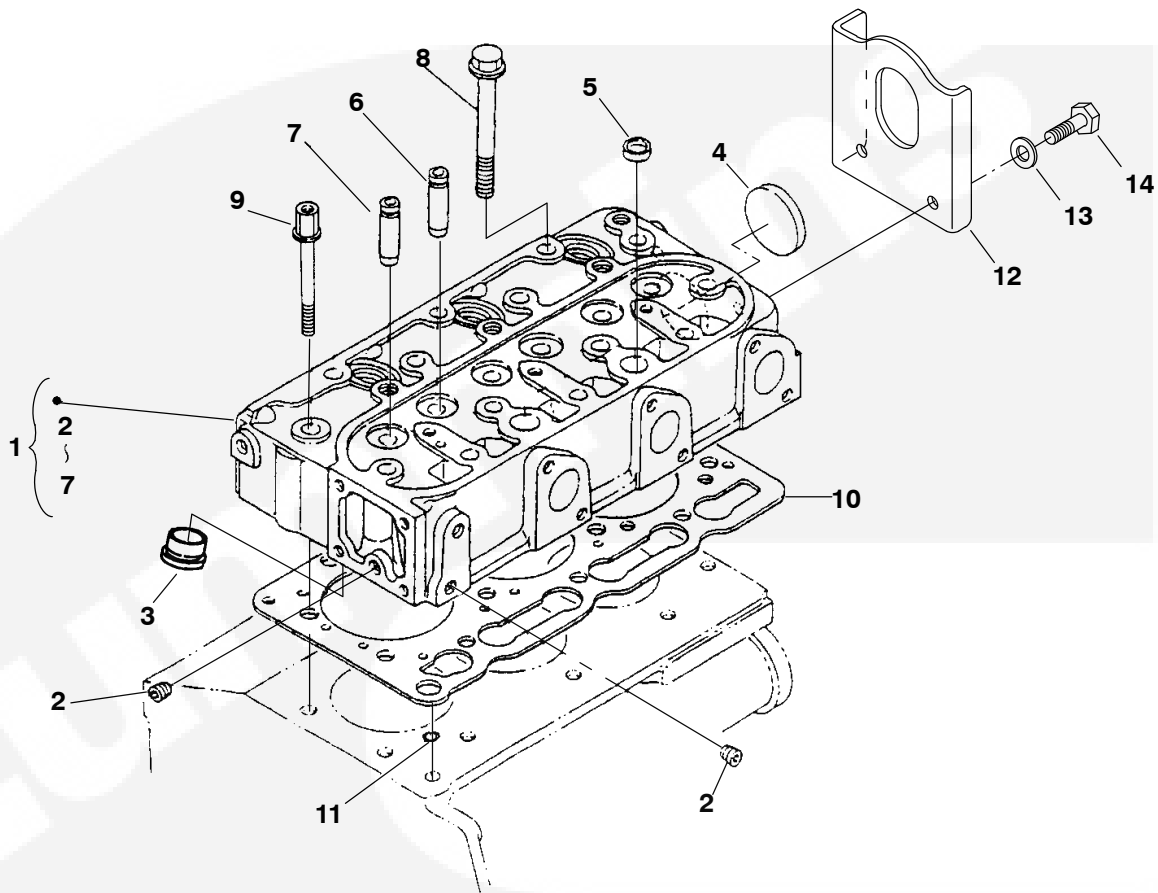
REF NO.	PART NO.	QTY USED	PART DESCRIPTION	REF NO.	PART NO.	QTY USED	PART DESCRIPTION
1	185-5624	3	Stud	8	185-6584	1	Joint, Eye
2	185-6845	1	Shim, Injection Pump (.30mm)	9	185-6585	1	Collar, Eye Joint
3	185-6749	AR	Shim, Injection Pump .20mm	10	185-5623	2	Bolt, Hex Socket Head
	185-6739	AR	.25mm	11	185-6882	1	Pump Assy, Injection (See Separate Page for Components)
4	185-6759	6	Washer, Spring	12	185-4255	2	Nut
5	185-5625	2	Nut, Cap	13	185-5798	1	Cover
6	185-2578	1	Gasket	14	185-6580	1	Gasket
7	185-6586	1	Cap				

Injection Pump Components



REF NO.	PART NO.	QTY USED	PART DESCRIPTION	REF NO.	PART NO.	QTY USED	PART DESCRIPTION
	185-6882	1	Pump Assy, Injection	14	185-5652	3	Spring, Plunger
1	185-6588	3	Holder, Delivery Valve	15	185-5653	3	Seat, Spring Upper
2	185-5643	3	O'Ring	16	185-5659	3	Sleeve, Control
3	185-5641	3	Gasket, Delivery Valve	17	185-6707	1	Pin, Clamp
4	185-5640	3	Spring, Delivery Valve	18	185-5650	3	Pin, Tappet Guide
5	185-5639	3	Valve, Delivery	19	185-5658	4	Screw, Countersunk Head
6	185-5644	3	Flange, Sleeve	20	185-6886	1	Plate
7	185-5645	3	Pin, Joint	21	185-6885	1	Rack, Control
8	185-5646	6	O'Ring	22	185-5661	2	Gasket
9	185-6884	3	Plunger, Pump	23	185-6887	1	Bolt, Joint
10	185-5647	6	Screw	24	185-5663	1	Gasket
11	185-5649	3	Tappet	25	185-5662	1	Screw, Air Bleed
12	185-5655	3	Shim	26	185-5820	1	Gasket
13	185-5654	3	Seat, Spring Lower	27	185-6888	1	Plug

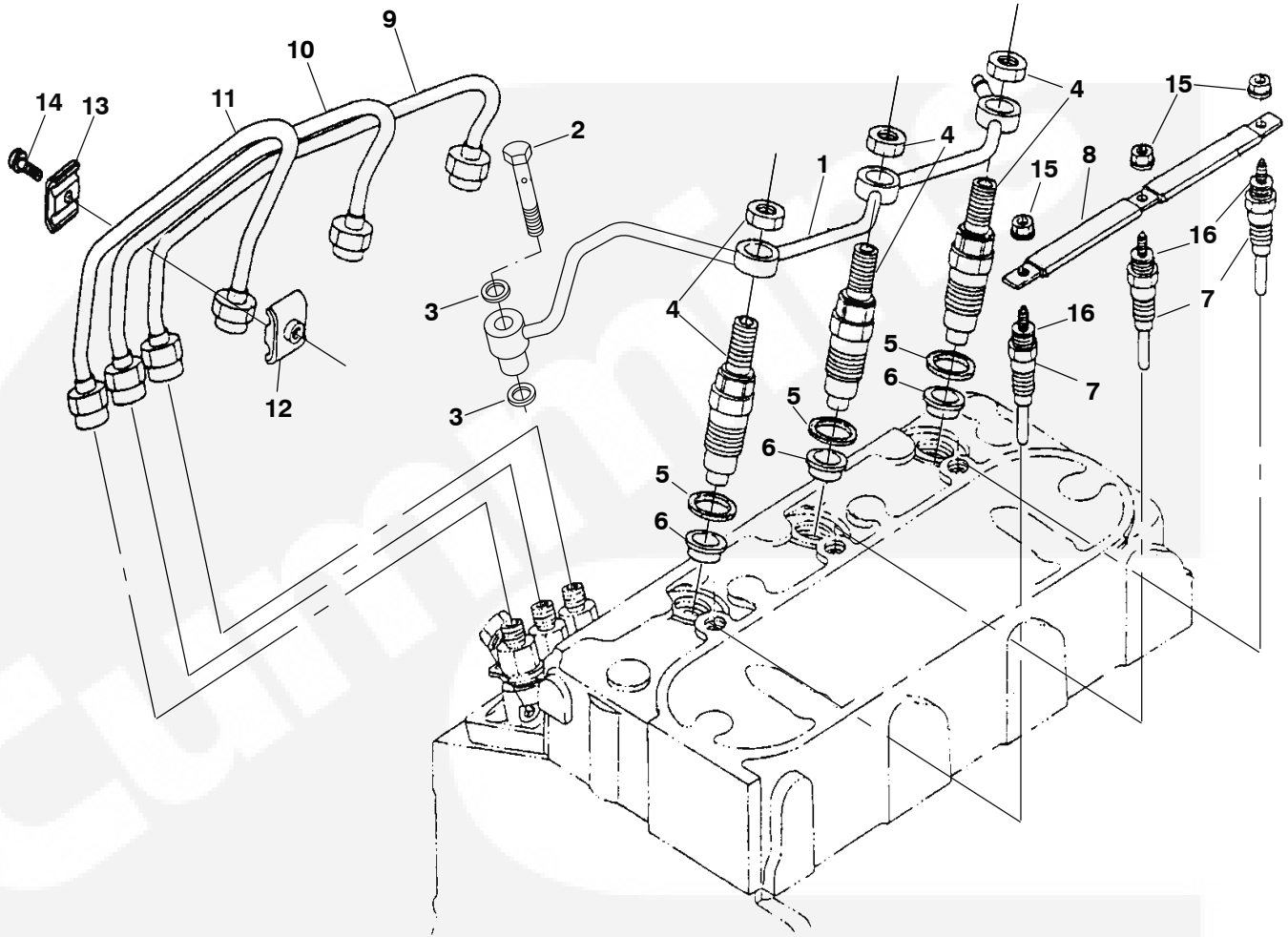
Cylinder Head



REF NO.	PART NO.	QTY USED	PART DESCRIPTION	REF NO.	PART NO.	QTY USED	PART DESCRIPTION
1			Head Assy, Cylinder (Includes Parts Marked *)	9	185-6479	2	Bolt, Cylinder Head
	185-6861	1	Spec A	10	185-6862	1	Gasket, Cylinder Head Spec A
	185-7374	1	Begin Spec B		185-7373	1	Begin Spec B
2	185-2188	2	*Plug	11	185-2095	1	O'Ring
3	185-7375	3	*Chamber, Combustion (Begin Spec B)	12			Bracket, Lifting Spec A
4	185-2411	1	*Cap, Sealing		403-4126-04	1	Begin Spec B
5	185-2413	2	*Cap, Sealing	13	526-0399-60	2	Washer, Flat (M8)
6	185-6476	3	*Guide, Exhaust Valve	14			Screw, Hex Head Cap
7	185-6475	3	*Guide, Inlet Valve		800-3017-19	2	Spec A (M8 x 1.25 x 20mm)
8	185-6477	12	Bolt, Cylinder Head		800-3017-18	2	Begin Spec B (M8 x 1.25 x 16mm)

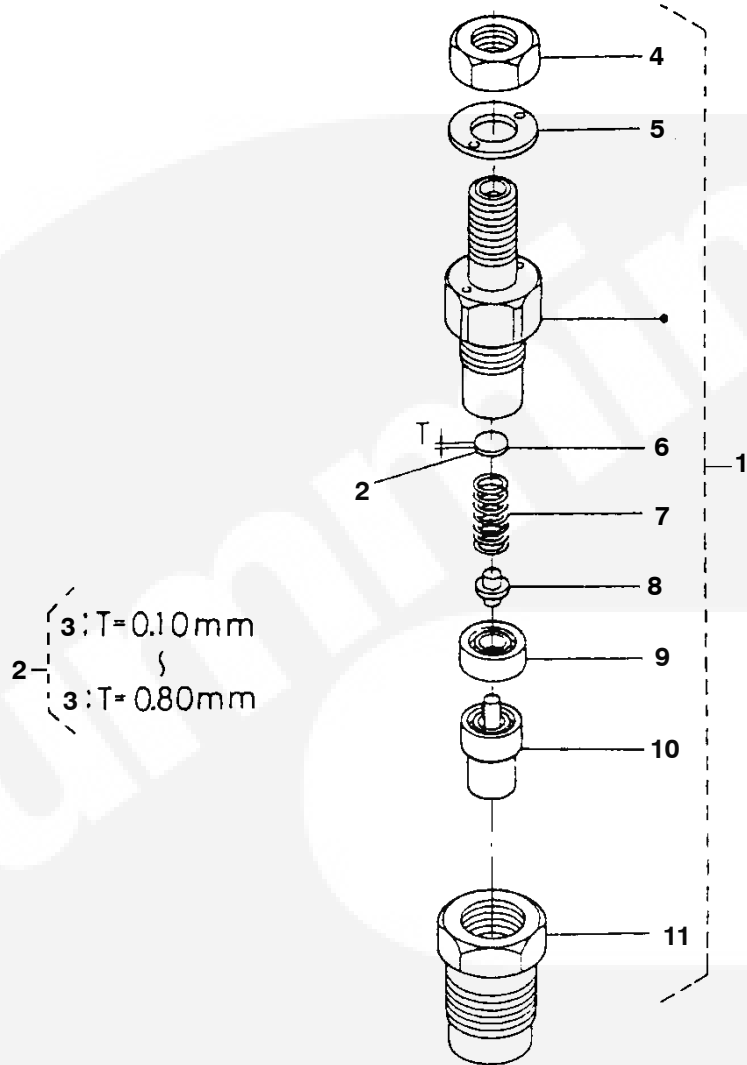
* - Parts Included in Cylinder Head Assy.

Nozzle Holder and Glow Plug



REF NO.	PART NO.	QTY USED	PART DESCRIPTION	REF NO.	PART NO.	QTY USED	PART DESCRIPTION
1	185-7106	1	Pipe, Overflow	8	185-6899	1	Cord, Glow Plug
2	185-7082	1	Screw, Air Bleeder	9	185-6621	1	Pipe, Injection
3	185-2284	2	Gasket	10	185-6751	1	Pipe, Injection
4	185-6740	3	Holder Assy, Nozzle (See Separate Page for Components)	11	185-6750	1	Pipe, Injection
5	185-5337	3	Gasket	12	185-5612	2	Clamp, Pipe
6	185-5985	3	Seal, Heat	13	185-2345	2	Clamp, Pipe
7	185-5421	3	Plug, Glow 12V	14	185-2385	2	Screw, Washer Head
	185-7107	3	24V	15	185-5615	3	Nut, Flange
				16	185-7004	3	Washer, Plain

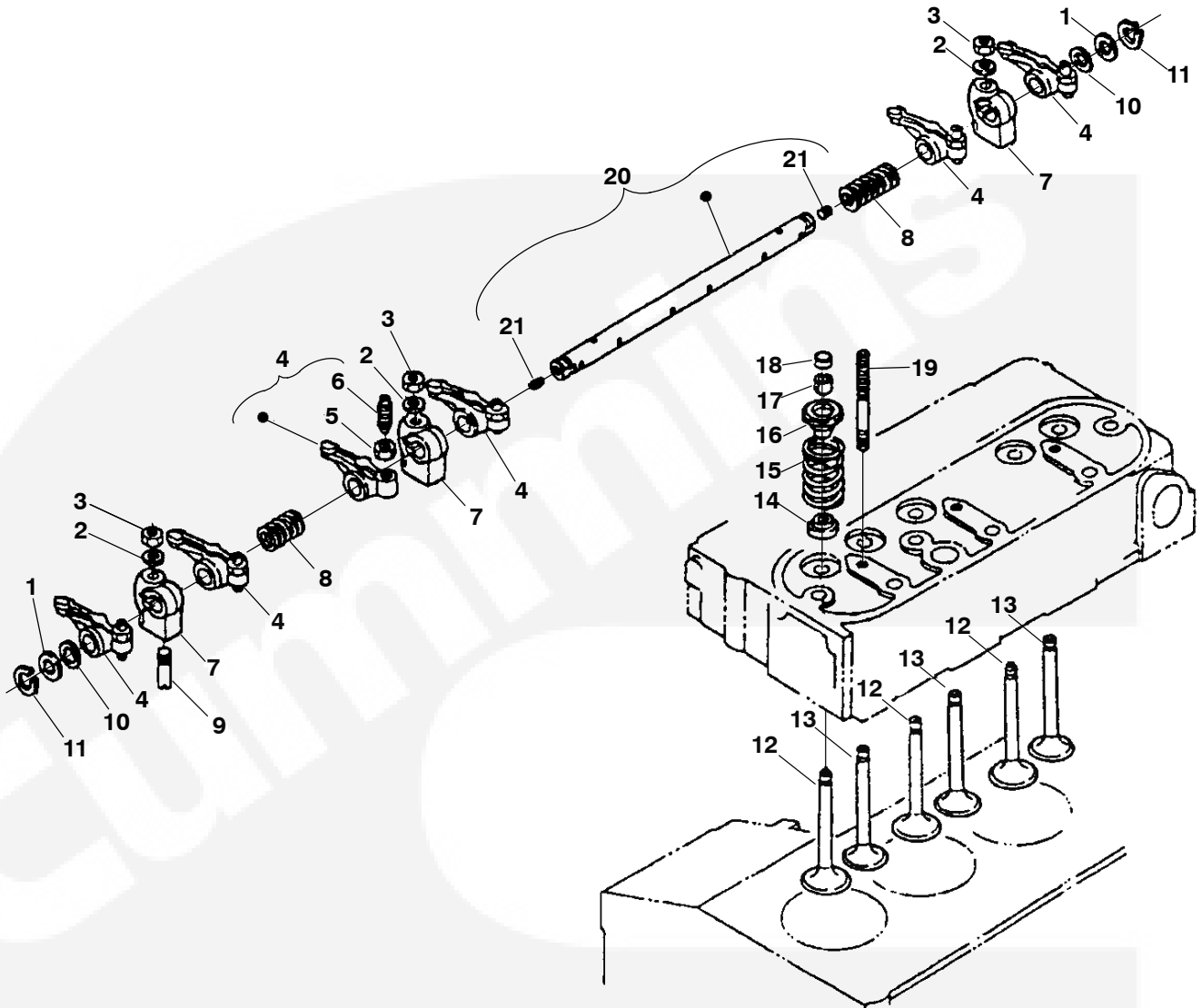
Nozzle Holder Components



REF NO.	PART NO.	QTY USED	PART DESCRIPTION	REF NO.	PART NO.	QTY USED	PART DESCRIPTION
1	185-6740	3	Holder Assy, Nozzle (Includes Parts Marked *)	4	185-6900	3	*Nut
2	185-6908	3	*Washer Assy, Adjust (Includes Adjusting Washers)	5	185-6906	3	*Washer, Plain
3			Washer, Adjusting	6	185-6901	3	*Washer, Adjusting
	185-6909	3	.10mm	7	185-6902	3	*Spring, Nozzle
	185-6910	3	.20mm	8	185-6904	3	*Rod, Push
	185-6911	3	.30mm	9	185-6903	3	*Piece, Distance
	185-6912	3	.40mm	10	185-6907	3	*Piece, Nozzle
	185-6913	3	.50mm	11	185-6905	3	*Nut, Nozzle
	185-6914	3	.52mm				
	185-6915	3	.54mm				
	185-6916	3	.56mm				
	185-6917	3	.58mm				
	185-6918	3	.80mm				

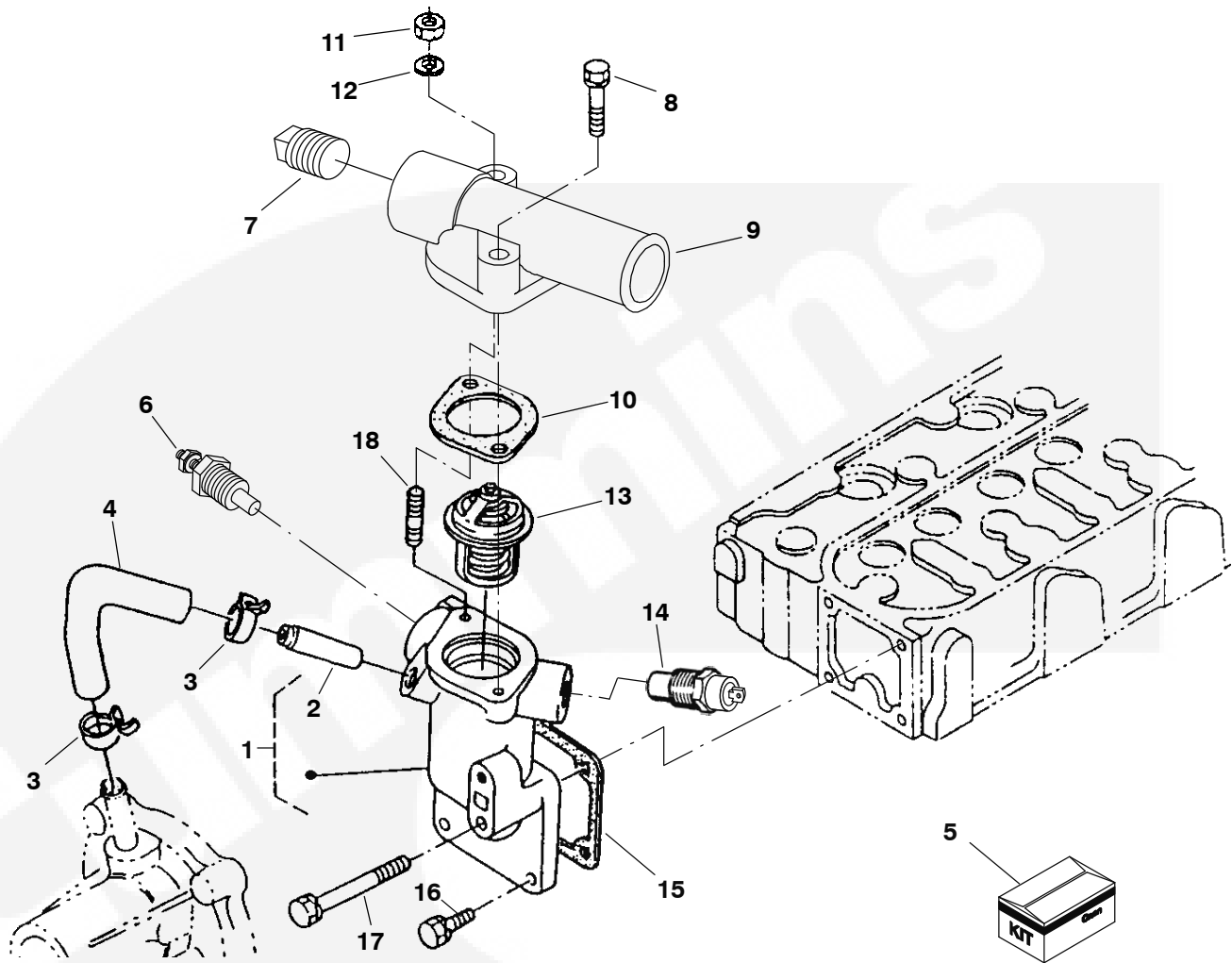
* - Parts Included in Nozzle Holder Assy.

Valve and Rocker Arm



REF NO.	PART NO.	QTY USED	PART DESCRIPTION	REF NO.	PART NO.	QTY USED	PART DESCRIPTION
1	185-6690	2	Washer, Rocker Arm Shaft	13	185-6682	3	Valve, Exhaust
2	185-2184	3	Washer, Plain	14			Seal, Valve Stem
3	185-2179	3	Nut		185-6684	6	Spec A
4	185-6693	6	Arm Assy, Rocker (Includes Screw and Nut)		185-7300	6	Begin Spec B
5	185-6695	6	Nut	15	185-6683	6	Spring, Valve
6	185-6694	6	Screw, Adjusting	16	185-2076	6	Retainer, Valve Spring
7	185-6687	3	Bracket, Rocker Arm	17	110-3827	6	Collet, Valve Spring
8	185-6691	2	Spring, Rocker Arm	18	185-2080	6	Cap, Valve
9	185-2072	1	Screw, Rocker Arm Set	19	185-6688	3	Stud
10	185-6689	2	Washer, Rocker Arm Shaft	20	185-6923	1	Shaft Assy, Rocker Arm (Includes Screws)
11	185-6692	2	Circlip, External	21	185-6686	2	Screw, Set
12	185-6681	3	Valve, Inlet				

Water Flange

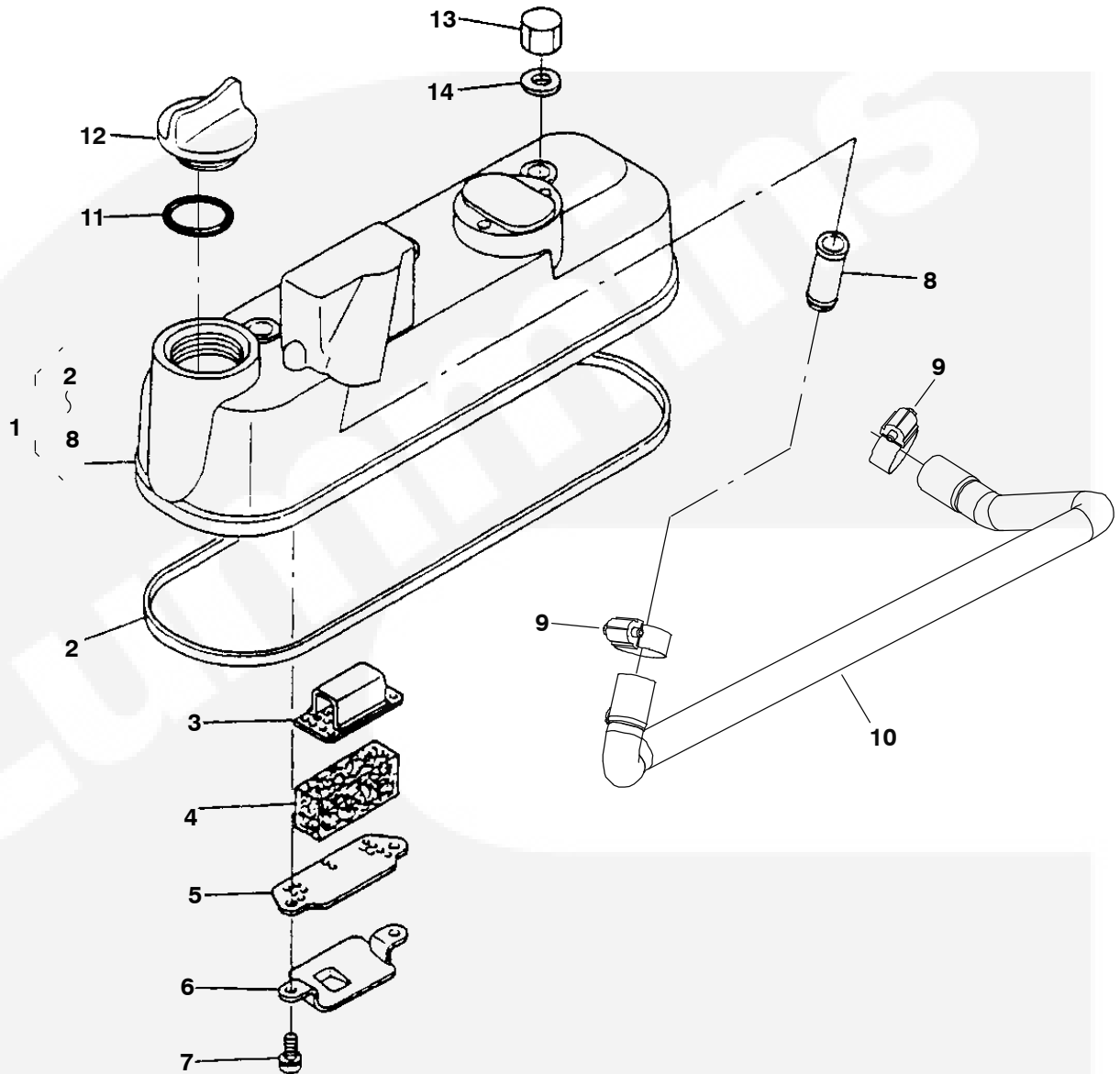


REF NO.	PART NO.	QTY USED	PART DESCRIPTION	REF NO.	PART NO.	QTY USED	PART DESCRIPTION
1			Flange, Water (Includes Water Return Pipe)	10			Gasket, Thermostat Spec A
	185-6663	1	Spec A		185-7242	1	Spec A
	185-7297	1	Begin Spec B		185-6004	1	Begin Spec B
2	185-6445	1	Pipe, Water Return	11	185-4255	1	Nut (Spec A)
3	185-6667	2	Band, Pipe	12	185-2380	1	Washer, Spring (Spec A)
4	185-6666	1	Pipe, Water Return	13			Thermostat Spec A
5			*Kit, Sender (Includes Water Temperature Sender)		185-5458	1	Spec A
	300-5040	1	Negative Ground		185-6005	1	Begin Spec B
	300-5041	1	Isolated Ground	14			Switch, Water Temperature Shutoff (S2)
6			Sender, Water Temperature(E2)		309-0601	1	Negative Ground (B200, B201)
	193-0318	1	Negative Ground (B200, B201)		309-0576	1	+ Isolated Ground (B380)
	193-0457-01	1	Isolated Ground (B380)	15	185-6922	1	Gasket, Water Flange
7	185-5826	1	Plug	16	185-2388	3	Bolt
8			Bolt	17	185-6665	1	Bolt
	185-6677	1	Spec A	18	185-6670	1	Stud (Spec A)
	185-6781	2	Begin Spec B				
9			Cover, Thermostat				
	185-7108	1	Spec A				
	185-7298	1	Begin Spec B				

* - Kit Also Includes Oil Pressure Sender Listed on Oil System Page.

+ - Switch Included in Isolated Ground Kit Listed on Isolated Ground Page.

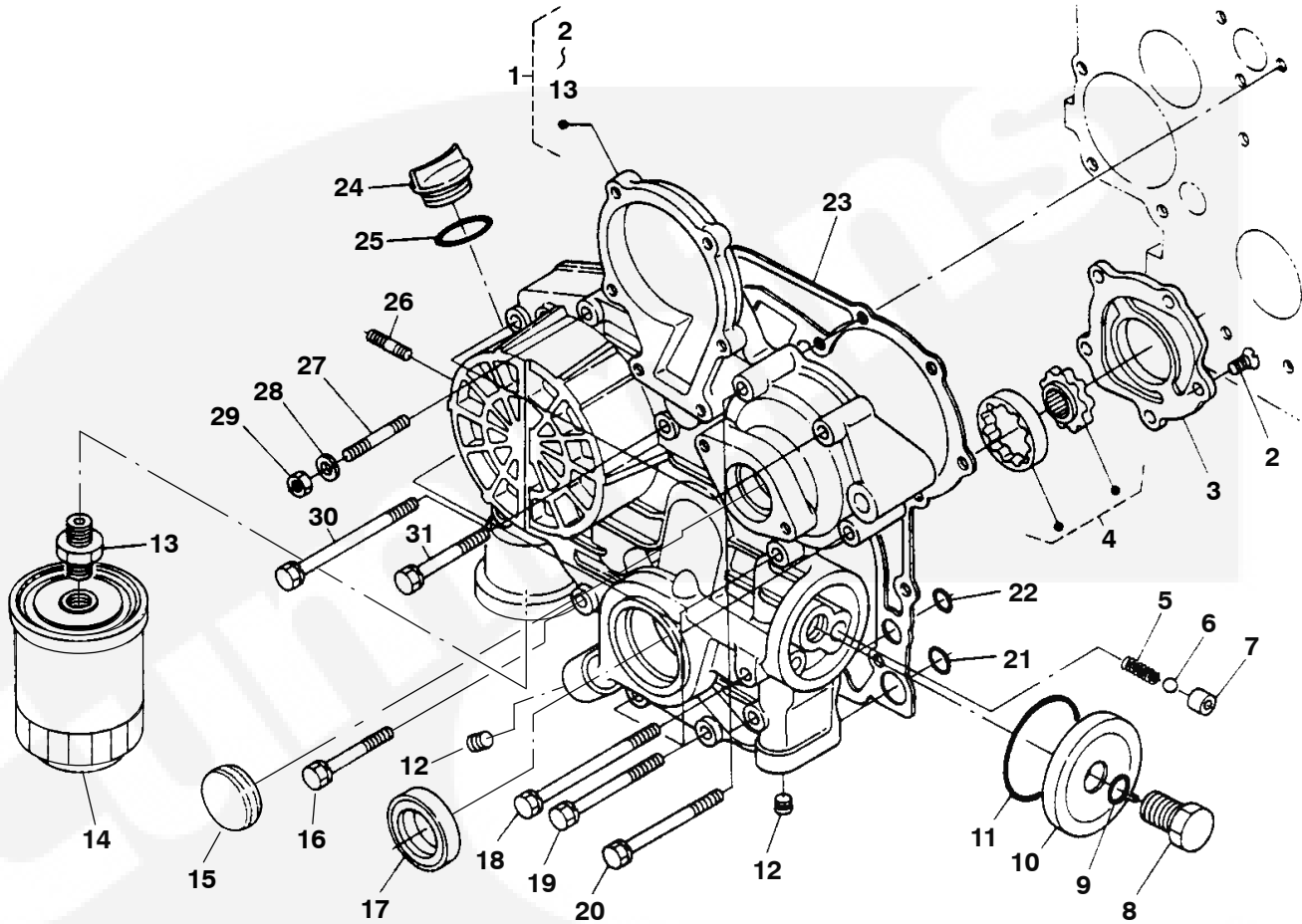
Cylinder Head Cover



REF NO.	PART NO.	QTY USED	PART DESCRIPTION	REF NO.	PART NO.	QTY USED	PART DESCRIPTION
1	185-6867	1	Cover Assy, Cylinder Head (Includes Parts Marked *)	9	503-0976	2	Clamp, Hose
2	185-6868	1	*Gasket, Cylinder Head Cover	10	503-2070	1	Hose, Breather
3	185-6501	1	*Plate, Upper Breather Element	11	185-2349	1	O'Ring
4	185-6721	1	*Element, Breather	12	185-5407	1	Cover, Oil Fill
5	185-6500	1	*Plate, Lower Breather Element	13	185-6394	3	Nut, Cap
6	185-6503	1	*Shield, Breather Oil	14	185-2291	3	Gasket
7	185-2384	2	*Screw, Washer Head				
8	185-6499	1	*Joint, Breather Pipe				

* - Parts Included in Cylinder Head Cover Assy.

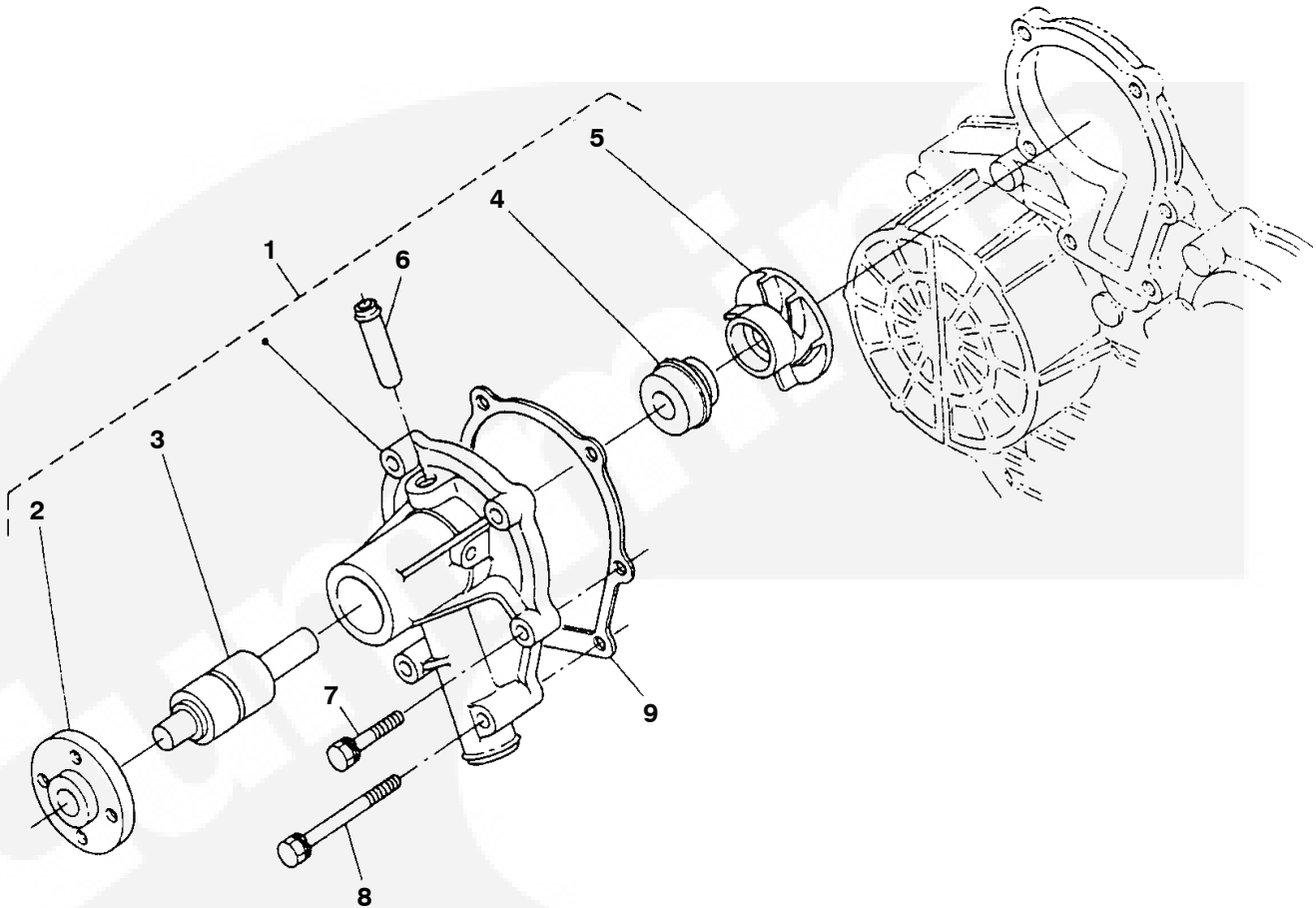
Gearcase



REF NO.	PART NO.	QTY USED	PART DESCRIPTION	REF NO.	PART NO.	QTY USED	PART DESCRIPTION
1	185-6480	1	Gearcase Assy (Includes Parts Marked *)	17	185-6864	1	Seal, Oil
2	185-6487	5	*Screw, Countersunk Head	18	185-6491	2	Bolt
3	185-6486	1	*Cover, Oil Pump	19	185-7069	4	Bolt
4	185-6485	1	*Rotor, Oil Pump	20	185-6665	2	Bolt
5	185-6482	1	*Spring	21	185-5869	2	O'Ring
6	185-6484	1	*Ball	22	185-3080	2	O'Ring
7	185-6483	1	*Seat, Valve	23	185-6863	1	Gasket, Gearcase
8	185-5742	1	*Bolt	24	185-5407	1	Cover, Oil Fill
9	185-5869	1	*O'Ring	25	185-2349	1	O'Ring
10	185-5741	1	*Cover	26	185-2359	2	Stud
11	185-5743	1	*O'Ring	27	185-6493	1	Stud
12	185-6481	5	*Plug	28	185-6759	1	Washer, Spring
13	185-2124	1	*Fitting, Connector	29	185-4255	1	Nut
14	185-5835	1	Filter, Oil	30	185-6492	1	Bolt
15	185-7216	1	Plug	31	185-5833	3	Bolt
16	185-6490	1	Bolt				

* - Parts Included in Gearcase Assy.

Captive Water Pump Components

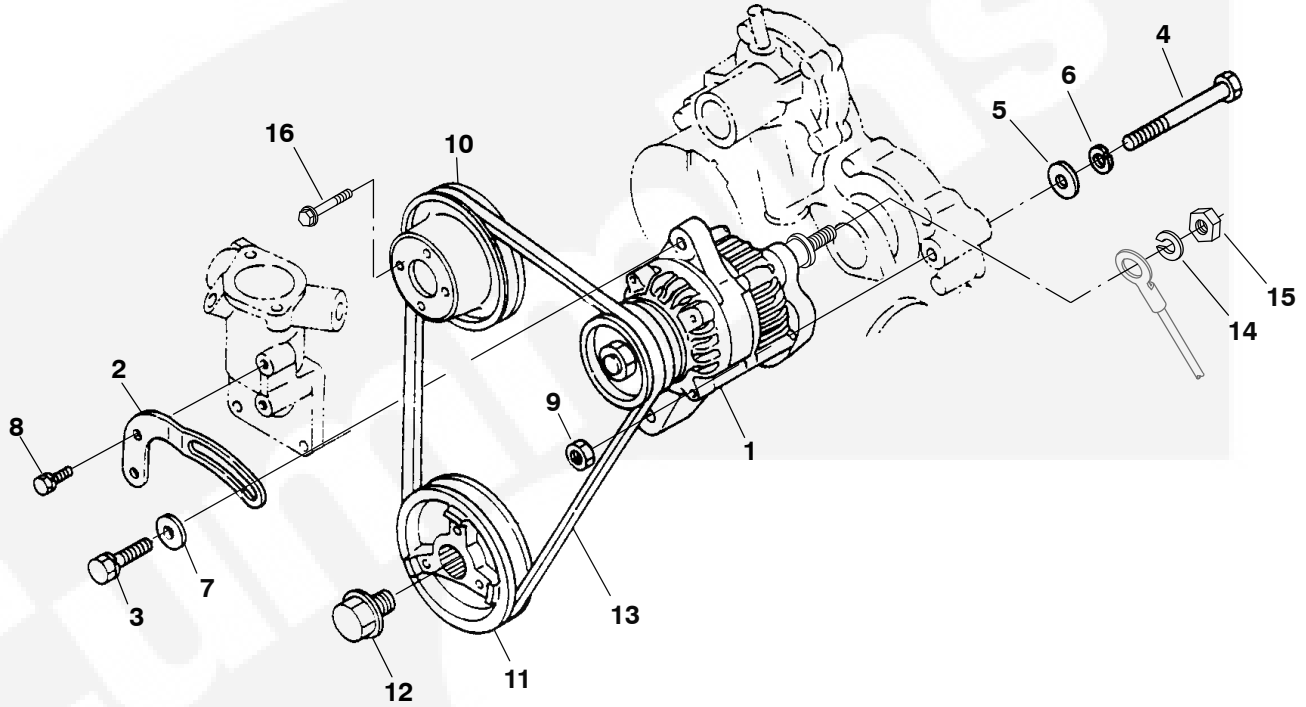


REF NO.	PART NO.	QTY USED	PART DESCRIPTION	REF NO.	PART NO.	QTY USED	PART DESCRIPTION
1	185-6671	1	Pump Assy, Water (Includes Parts Marked *)	7	185-6677	4	Bolt
2	185-6672	1	*Flange, Pump Water	8	185-5745	2	Bolt
3	185-6673	1	*Bearing	9	185-6676	1	Gasket, Water Pump Spec A
4	185-5714	1	*Seal Assy, Mechanical		185-7299	1	Begin Spec B
5	185-6674	1	*Impeller, Water Pump				
6	185-5719	1	*Pipe, Water Return				

* - Parts Included in Water Pump Assy.



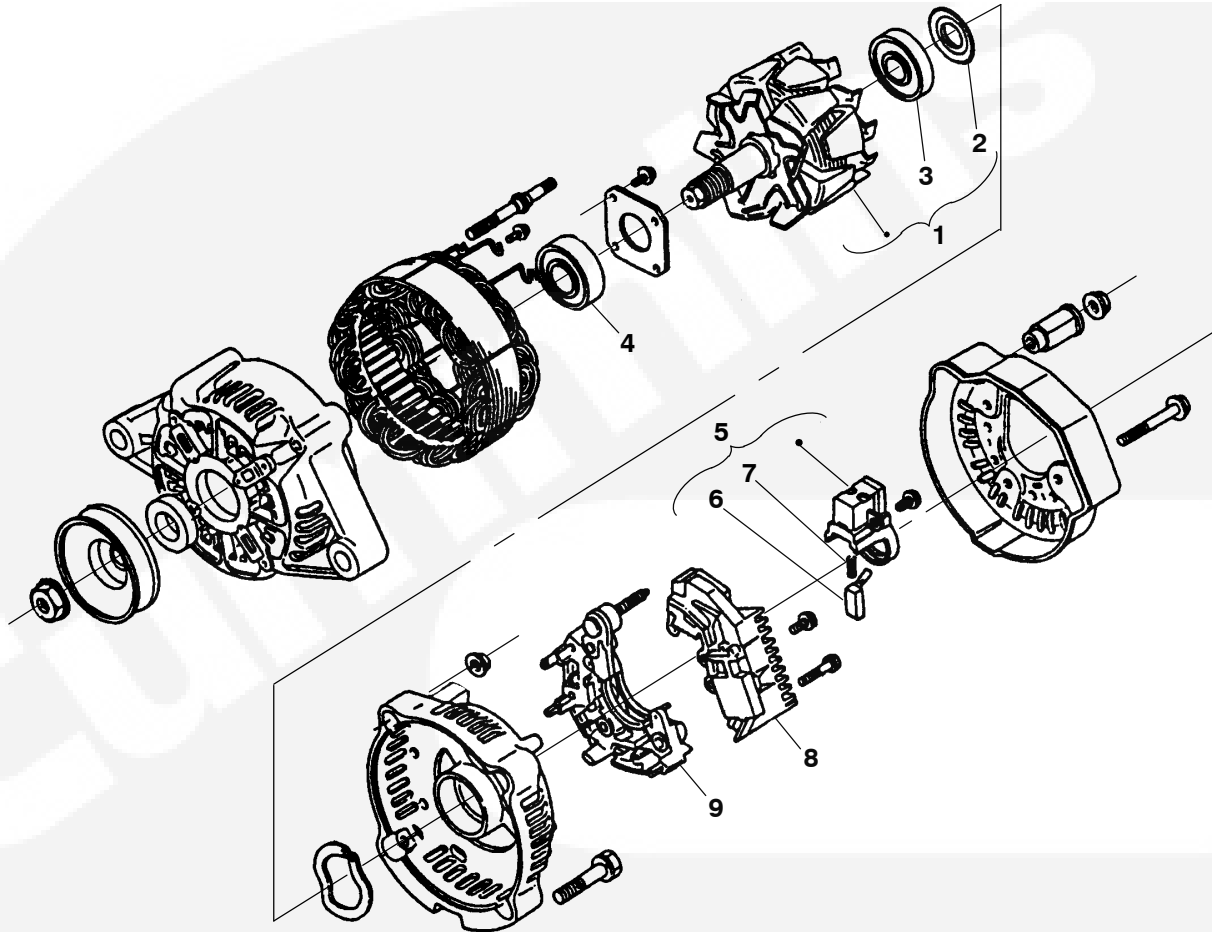
**Alternator
12V Negative Ground
(Spec A)**



REF NO.	PART NO.	QTY USED	PART DESCRIPTION	REF NO.	PART NO.	QTY USED	PART DESCRIPTION
1	185-6920	1	Alternator (12V, 30A) (See Separate Page for Components)	8	185-2388	1	Bolt
2	185-6628	1	Stay, Alternator	9	185-5445	1	Nut
3	185-2403	1	Bolt	10	185-6631	1	Pulley, Fan
4	185-6629	1	Bolt	11	185-6933	1	Pulley, Fan Drive
5	185-6630	1	Washer, Plain	12	185-6633	1	Bolt
6	185-3071	1	Washer, Spring	13	185-6934	1	Belt, Fan
7	185-6786	1	Washer, Plain	14	850-2006	1	Washer, Lock (M6)
				15	750-1004	1	Nut, Hex (6-32)
				16	185-2572	4	Bolt



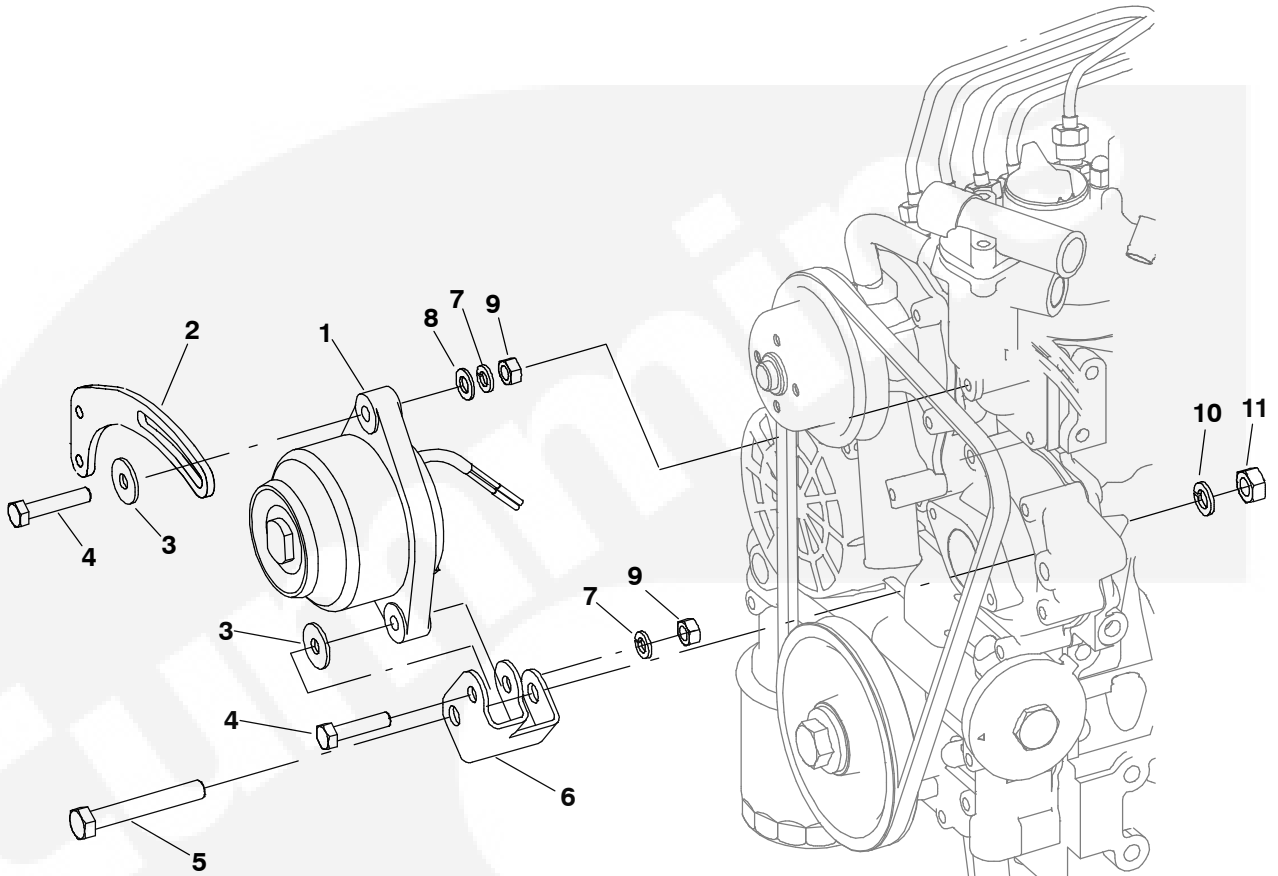
Alternator Components 12V Negative Ground (Spec A)



REF NO.	PART NO.	QTY USED	PART DESCRIPTION	REF NO.	PART NO.	QTY USED	PART DESCRIPTION
	185-6920	1	Alternator	5	185-5782	1	Holder, Brush
1	185-5770	1	Rotor	6	185-5783	2	Brush
2	185-5771	1	Cover, Bearing	7	185-5784	2	Spring, Brush
3	185-5772	1	Bearing, Ball	8	185-5791	1	Regulator
4	185-5777	1	Bearing, Ball	9	185-6638	1	Rectifier Assy



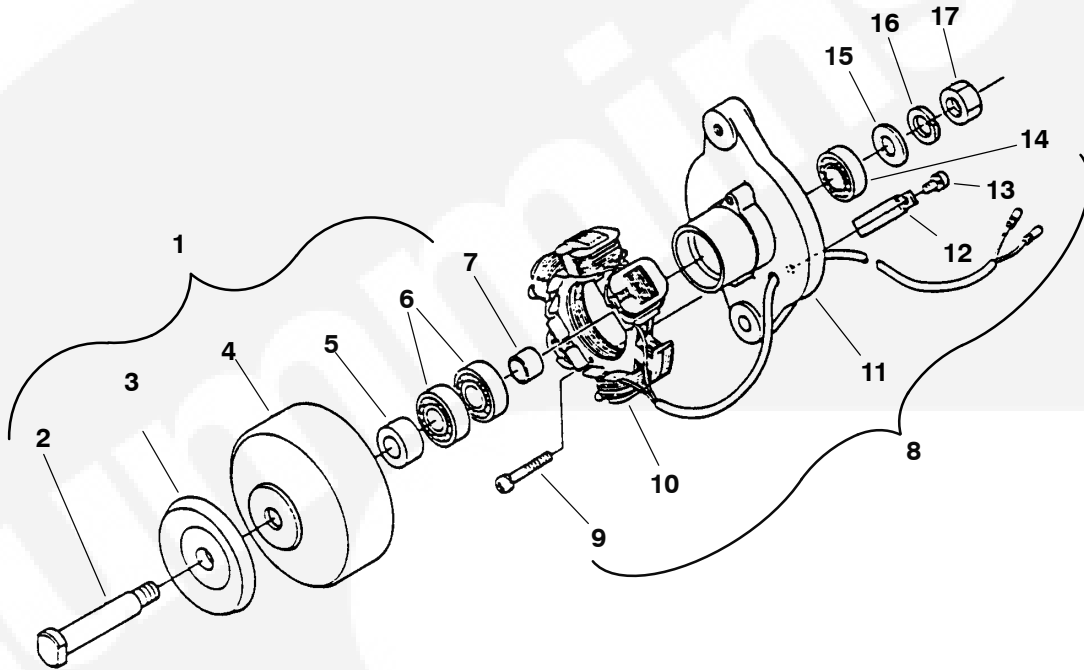
Alternator 12V Isolated Ground (Spec A)



REF NO.	PART NO.	QTY USED	PART DESCRIPTION	REF NO.	PART NO.	QTY USED	PART DESCRIPTION
1	185-5431	1	Alternator	6	191-2266-02	1	Bracket
2	185-6628	1	Stay, Alternator	7	850-0114-54	2	Washer, Lock (M8)
3	526-0399-61	2	Washer, Flat (M8)	8	526-0399-60	1	Washer, Flat (M8)
4	800-3017-22	2	Screw, Hex Head Cap (M8 x 1.25 x 35mm)	9	862-0026-55	2	Nut, Hex (M8 x 1.25mm)
5	800-3017-46	1	Screw, Hex Head Cap (M10 x 1.5 x 70mm)	10	850-0114-55	1	Washer, Lock (M10)
				11	862-0026-56	1	Nut, Hex (M10 x 1.5mm)



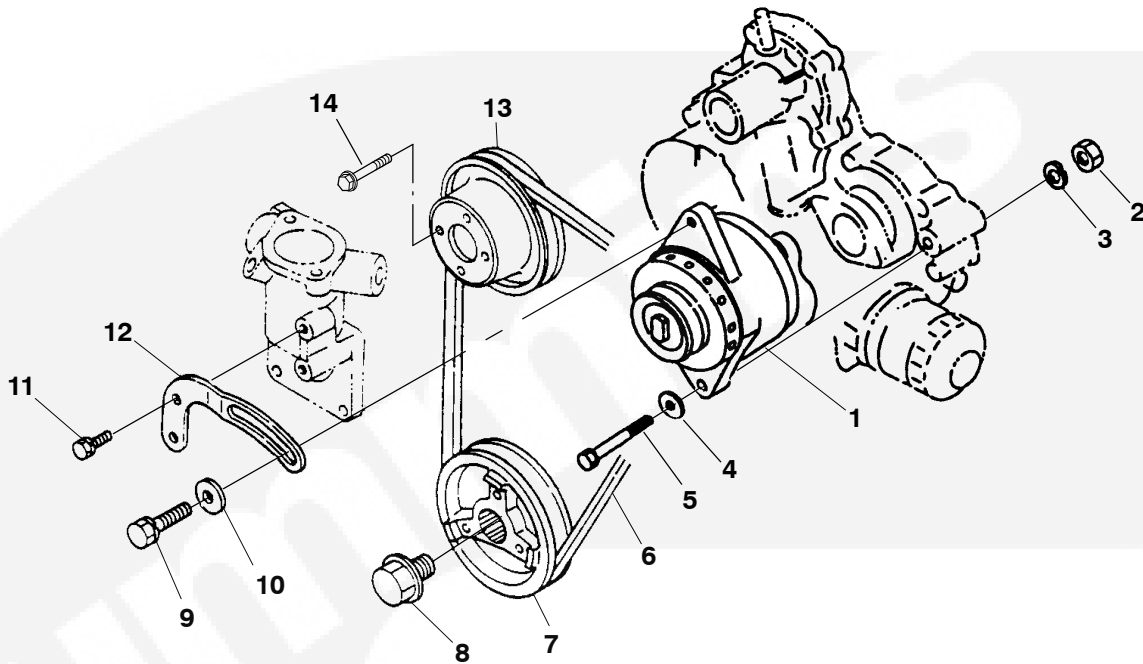
Alternator Components 12V Isolated Ground (Spec A)



REF NO.	PART NO.	QTY USED	PART DESCRIPTION	REF NO.	PART NO.	QTY USED	PART DESCRIPTION
	185-5431	1	Alternator	10	185-2272	1	@ Stator
1	185-5710	1	Rotor Assy (Includes Parts Marked #)	11	185-2268	1	@ Plate, Back – Alternator
2	185-2245	1	# Shaft, Rotor	12	185-2271	1	@ Clamp, Wire
3	185-2269	1	# Pulley	13	185-2249	1	@ Screw, Machine – Round Head W/Lock Washer
4	185-2267	1	# Rotor	14	185-2246	1	@ Bearing, Ball
5	185-2270	1	# Spacer	15	185-2185	1	Washer, Flat
6	185-2246	2	# Bearing, Ball	16	185-2186	1	Washer, Lock – Spring
7	185-2171	1	Spacer	17	185-2181	1	Nut, Hex
8	185-5711	1	Stator Assy (Includes Parts Marked @)				
9	185-2183	2	@ Screw, Machine – Round Head W/Lock Washer				

– Parts Included in Rotor Assy.
@ – Parts Included in Stator Assy.

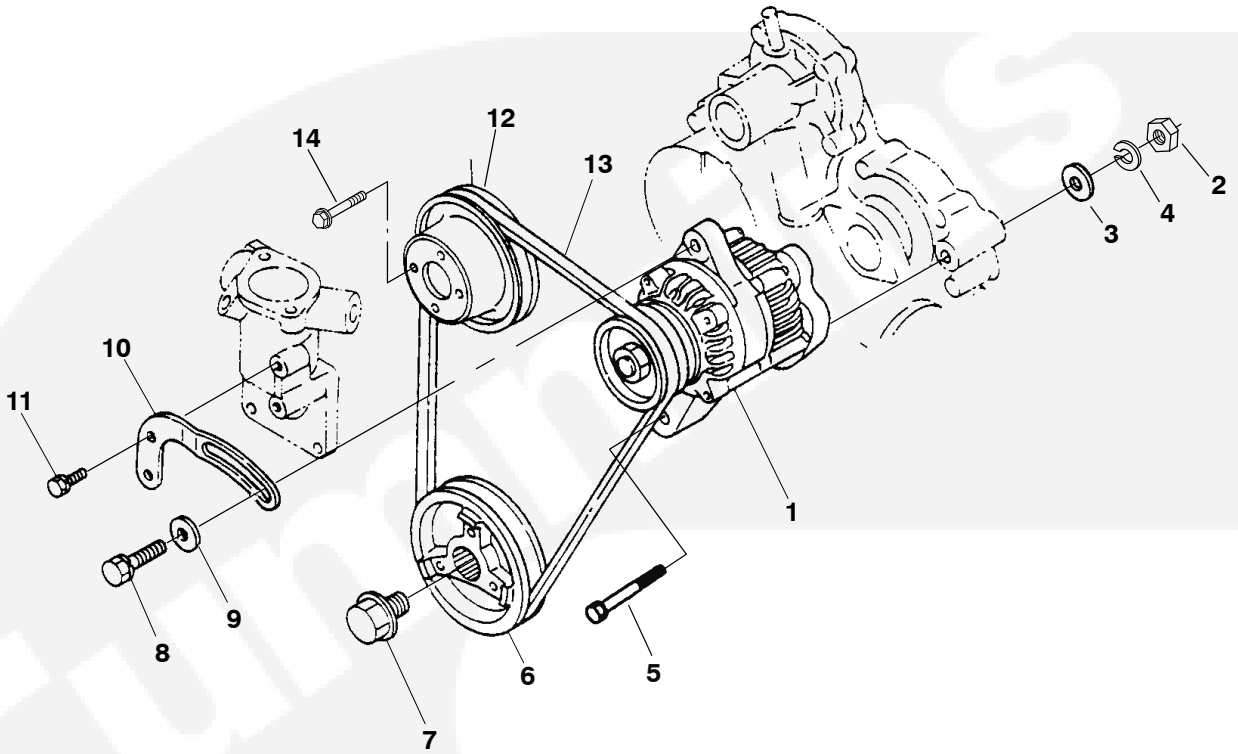
**Alternator
12V Negative/Isolated Ground
(Begin Spec B)**



REF NO.	PART NO.	QTY USED	PART DESCRIPTION	REF NO.	PART NO.	QTY USED	PART DESCRIPTION
1	185-7269	1	Alternator (No Components Available)	8	185-6633	1	Bolt
2	185-5445	1	Nut	9	185-2564	1	Bolt
3	185-6785	1	Washer, Spring	10	185-6786	2	Washer, Plain
4	185-7272	1	Washer, Plain	11	185-2388	1	Bolt
5	185-7271	1	Bolt	12	185-7270	1	Stay, Alternator
6	185-6934	1	Belt, Fan (37.5")	13	185-6631	1	Pulley, Fan
7	185-6933	1	Pulley, Fan Drive	14	185-2572	4	Bolt



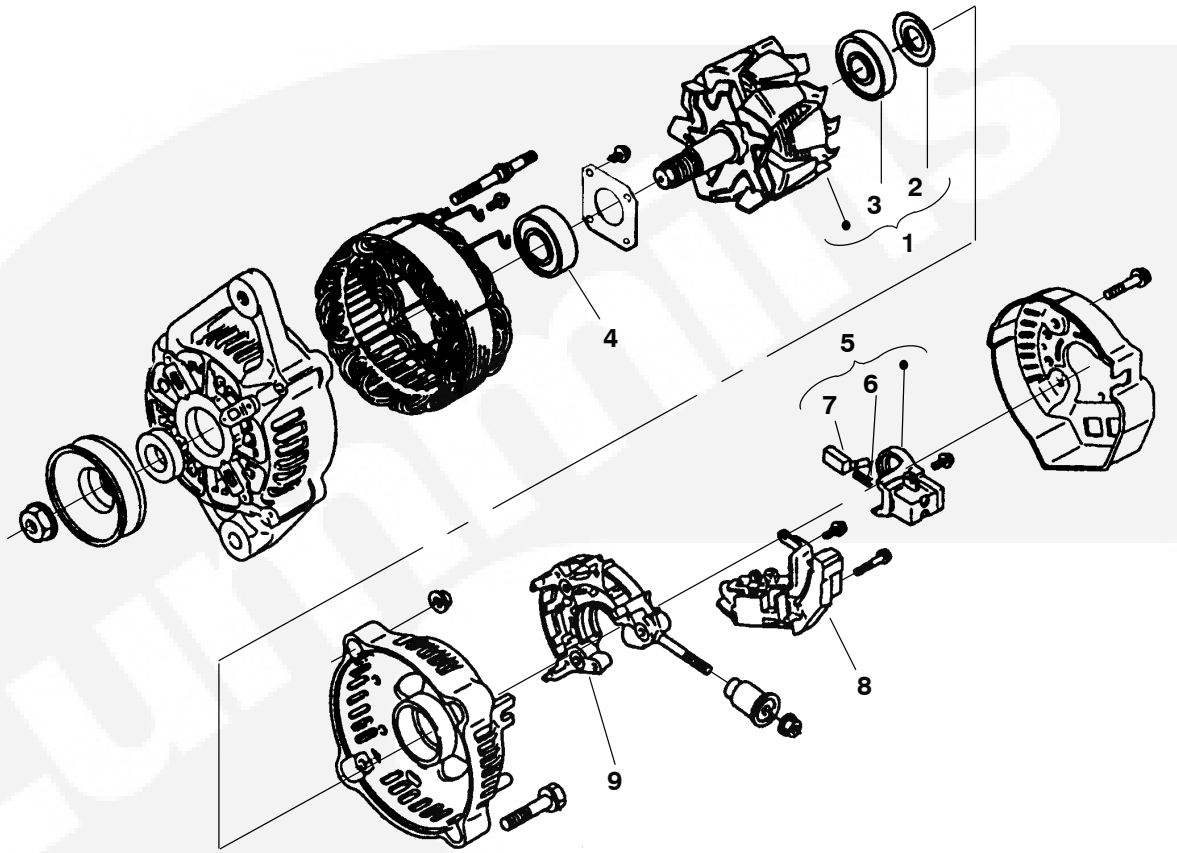
**Alternator
24V Negative Ground
(Spec B)**



REF NO.	PART NO.	QTY USED	PART DESCRIPTION	REF NO.	PART NO.	QTY USED	PART DESCRIPTION
1	185-7225	1	Alternator (See Separate Page for Components)	8	185-2564	1	Bolt
2	185-5445	1	Nut	9	185-6786	1	Washer, Plain
3	185-6630	1	Washer, Plain	10	185-7226	1	Stay, Alternator
4	185-6785	1	Washer, Spring	11	185-2388	1	Bolt
5	185-7227	1	Bolt	12	185-6631	1	Pulley, Fan
6	185-6933	1	Pulley, Fan Drive	13	185-6934	1	Belt, Fan (37.5")
7	185-6633	1	Bolt	14	185-2572	4	Bolt



Alternator Components 24V Negative Ground (Spec B)

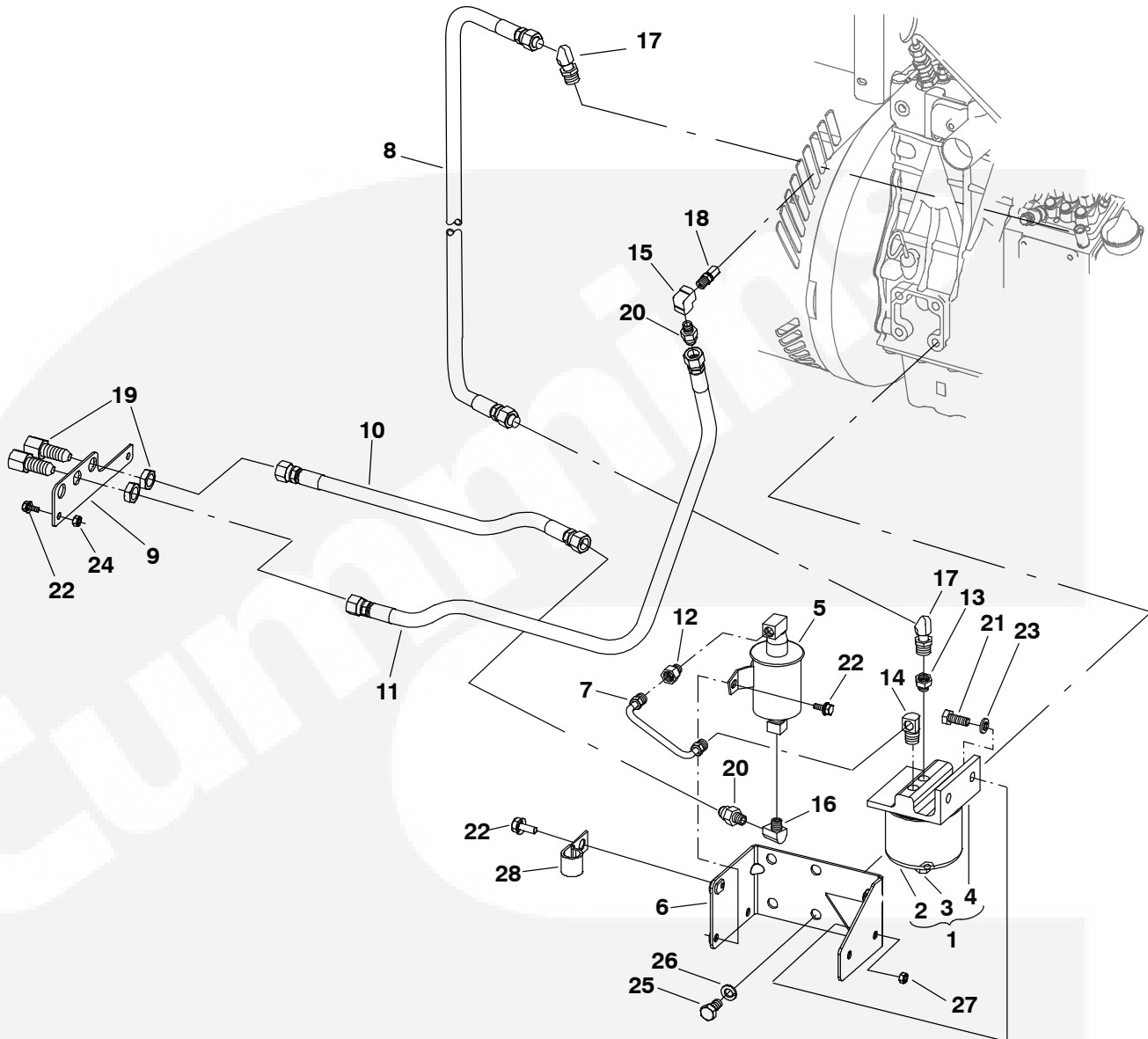


REF NO.	PART NO.	QTY USED	PART DESCRIPTION	REF NO.	PART NO.	QTY USED	PART DESCRIPTION
	185-7225	1	Alternator	6	185-5784	2	Spring, Brush
1	185-7228	1	Rotor (Includes Cover and Bearing)	7	185-5783	2	Brush
2	185-5771	1	Cover, Bearing	8	185-6820	1	Regulator
3	185-7229	1	Bearing, Ball	9	185-6816	1	Rectifier Assy
4	185-5777	1	Bearing, Ball				
5	185-5782	1	Holder, Brush (Includes Brush and Spring)				

Note: Parts not Identified are Not For Sale.

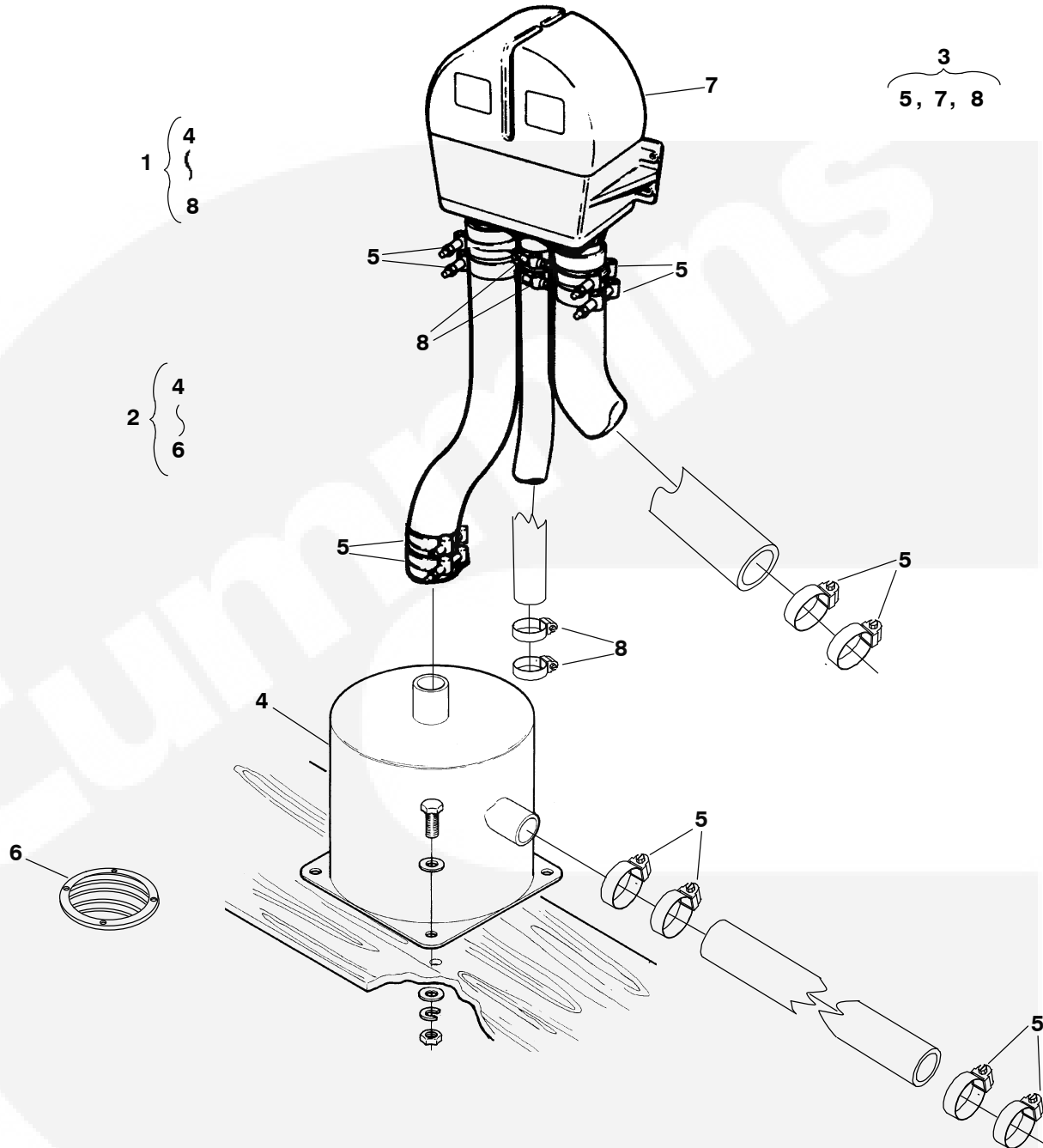


Fuel Pump



REF NO.	PART NO.	QTY USED	PART DESCRIPTION	REF NO.	PART NO.	QTY USED	PART DESCRIPTION
1	149-2100	1	Filter Assy, Fuel (E5) (Includes Element, Plug, and Base)	15	502-0055	1	Elbow, Pipe
2	149-2106	1	Element	16	502-0020-01	1	Elbow, Pipe
3	502-0028	1	Plug, Drain	17	502-0065	2	Elbow, Inverted Male
4	149-2235	1	Base, Aluminum	18	502-1245	1	Adapter, Pipe
5	149-2331-01	1	Pump, Fuel (E5)	19	505-1489	2	Connector, Female Bulkhead
6	149-2600-05	1	Bracket, Mounting Spec A (W/Weldnuts)	20	505-1490	2	Connector, Male
	149-2618-04	1	Begin Spec B (W/O Weldnuts W/Gusset)	21	800-3017-19	2	Screw, Hex Head Cap (M8 x 1.25 x 20mm)
7	149-2601	1	Line, Fuel	22	821-6002-02	5	Screw, Hex Head Sems (M6 x 1 x 12mm)
8	149-2602	1	Line, Fuel	23	850-0114-54	2	Washer, Lock (M8)
9	149-2609-02	1	Bulkhead	24	862-0026-54	2	Nut, Hex (M6 x 1mm)
10	501-0672-01	1	Line, Fuel (28.5")	25	800-3030	3	Screw, Hex Head Cap (M10 x 1.25 x 20mm)
11	501-0672-02	1	Line, Fuel (38.5")	26	850-0114-55	3	Washer (M10)
12	502-0003	1	Connector, Inverted Male	27	862-0026-55	2	Nut, Hex (M8)
13	502-0029	1	Bushing, Pipe	28	518-0515	1	Clip, Hose
14	502-0041	1	Elbow, Male				

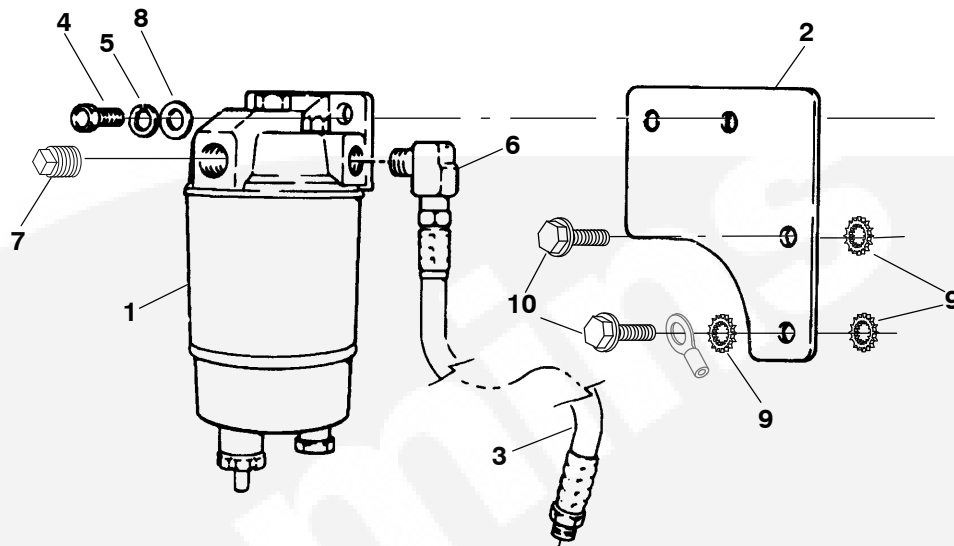
Water Separator/Muffler



REF NO.	PART NO.	QTY USED	PART DESCRIPTION	REF NO.	PART NO.	QTY USED	PART DESCRIPTION
1	155-3217	1	Kit, Muffler/Separator (Includes Parts Marked *)	6	155-1002	1	*+ Strainer, Water Pickup
2	155-2030	1	Kit, Muffler (Includes Parts Marked +)	7	155-3218	1	*• Separator, Water (2")
3	155-3216	1	Kit, Water Separator (Includes Parts Marked •)	8	503-1139	4	*• Clamp, Hose (1-1/2")
4	155-2029	1	*+ Muffler, Marine				
5			Clamp, Hose (2")				
	503-1142	8	+ Muffler Kit				
	503-1142	4	• Separator Kit				
	503-1142	10	* Muffler/Separator Kit				

* - Parts Included in Muffler/Separator Kit.
 + - Parts Included in Muffler Kit.
 • - Parts Included in Water Separator Kit.

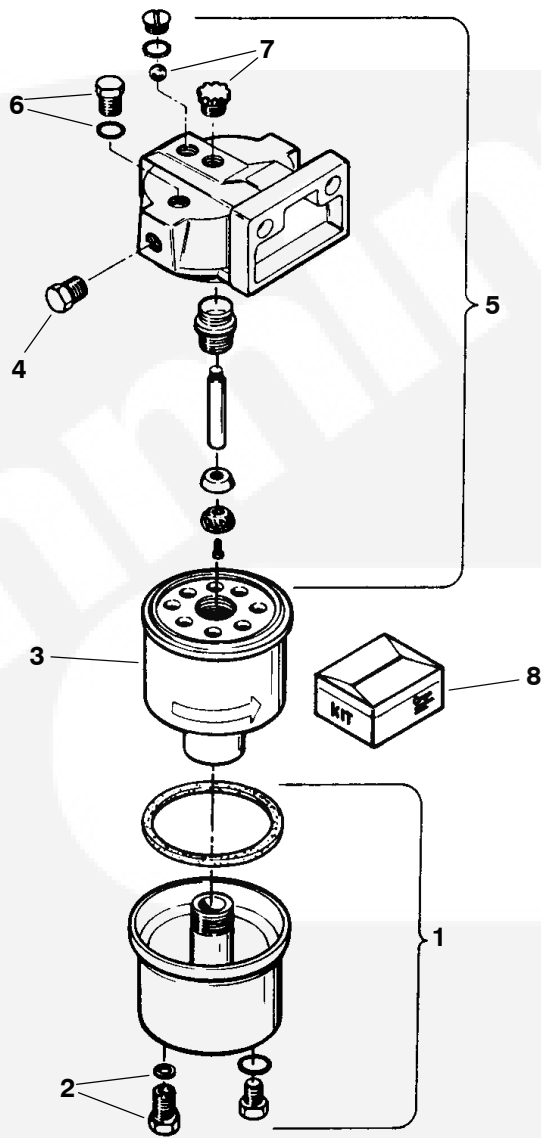
Remote Water Separator



REF NO.	PART NO.	QTY USED	PART DESCRIPTION	REF NO.	PART NO.	QTY USED	PART DESCRIPTION
	149-2313	1	Kit, Remote Fuel/Water Separator	5	850-2008	2	Washer, Lock (M8)
1	149-1908-05	1	Separator, Fuel/Water (See Separate Page for Components)	6	502-0054	1	Elbow, Street 90° (1/4 NPT)
	149-2312	1	Bracket, Separator Mounting	7	502-0153	1	Plug, Hex Pipe (1/4 NPT)
3	501-0578	1	Line, Flex Fuel	8	526-2100	2	Washer, Flat (M8)
4	718-1038	2	Screw, Hex Head Cap (M8 x 1.25 x 30mm)	9	856-0012	3	Washer, EIT (7/16")
				10	718-1055	2	Screw, Hex Head Cap (M10 x 1.5 x 30mm)

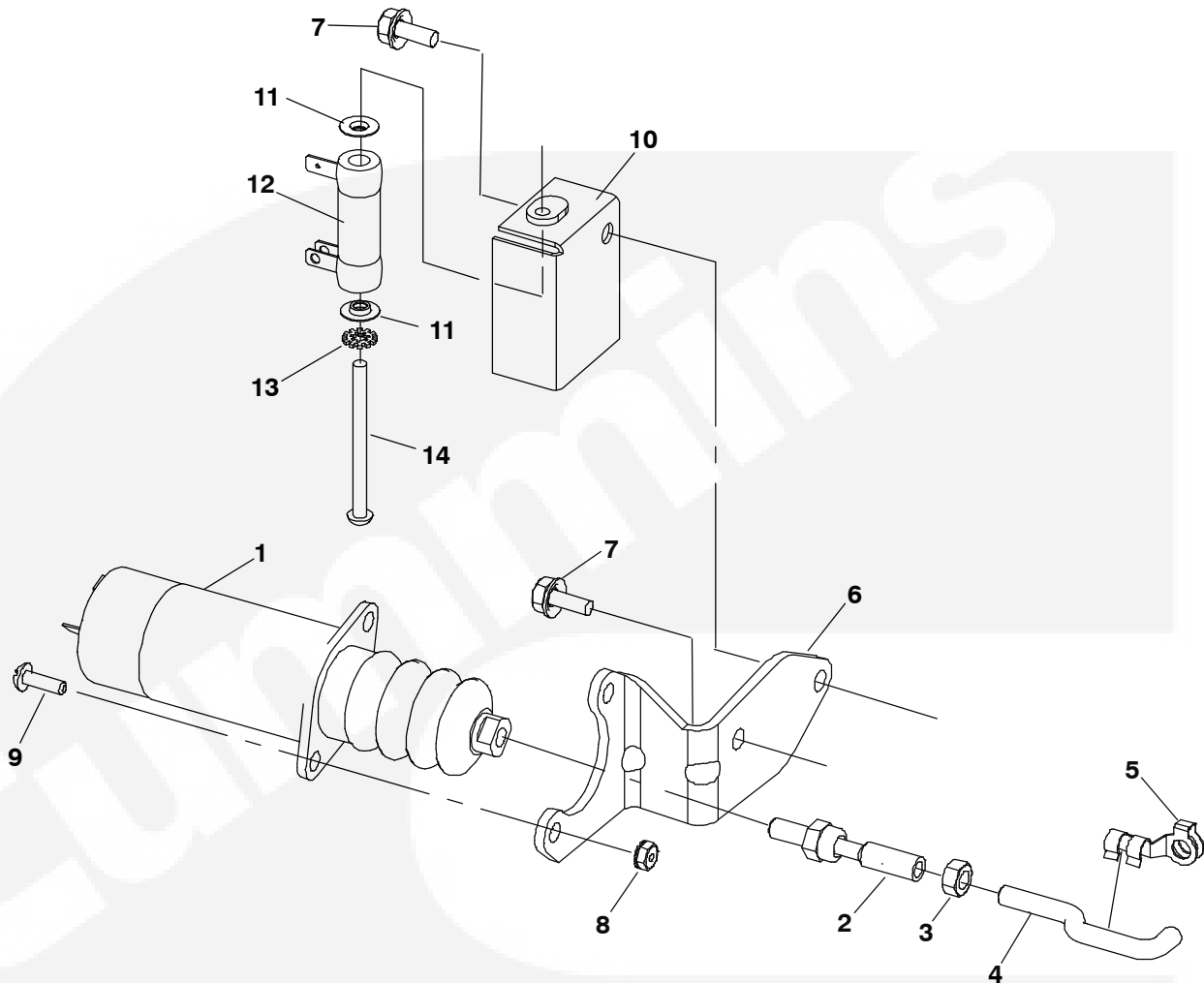


Remote Water Separator Components



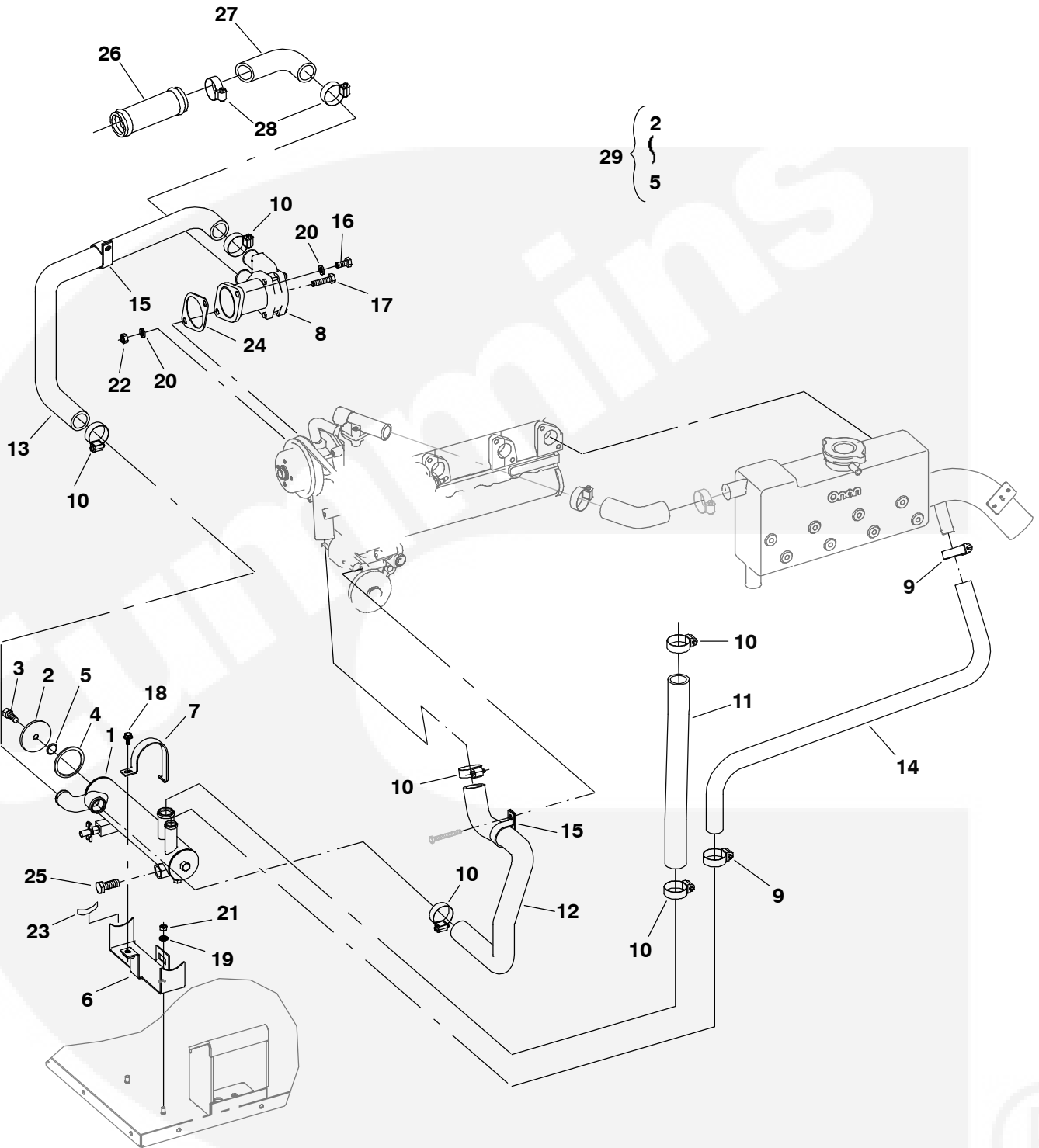
REF NO.	PART NO.	QTY USED	PART DESCRIPTION	REF NO.	PART NO.	QTY USED	PART DESCRIPTION
1	149-1908-05	1	Separator, Water	6	149-1952	1	Plug, Vent (Includes O-Ring)
	149-2046	1	Kit, Metal Bowl Replacement (Includes Plug, O-Rings and Drain Assy)	7	149-2047	1	Pump Assy (Includes Plunger, Retainer, Shaft, Check Ball, Knob and Screw)
2	149-1953	1	Drain Assy (Includes Knob and Seal)	8	149-2045	1	O-Ring Kit (Includes Seal and Plunger)
3	149-1914-01	1	Element (Includes Seals)				
4	502-0153	1	Plug, Hex (1/4")				
5	149-1949	1	Head Assy, Replacement (Includes Vent Plug, O-Rings, Seal, Cap, Tube and Pump Assy)				

Stop Solenoid



REF NO.	PART NO.	QTY USED	PART DESCRIPTION	REF NO.	PART NO.	QTY USED	PART DESCRIPTION
1	307-2546	1	Solenoid, Stop (K7)	7	821-6002-02	2	Screw, Hex Head Sems (M6 x 1 x 12mm)
	307-2546-01	1	12V	8	870-0131	2	Nut, ET Hex (#10-32)
			24V	9	813-0100	2	Screw, Round Head Machine (#10-32 x 1/2")
2	150-1733	1	Joint, Ball	10	304-0831-03	1	Bracket (24V)
3	115-0025	1	Nut, Tappet (1/4-28UNF)	11	304-0796	2	Washer, Centering (24V)
4	150-2555	1	Link, Solenoid	12	350-1238	1	Resistor (24V)
	150-2706	1	Spec A	13	856-0003	1	Washer, EIT (#10) (24V)
	150-2706	1	Begin Spec B	14	813-0112	1	Screw, Round Head Machine (#10-32 x 2.5") (24V)
5	306-4081	1	Clip, Rod End				
6	150-2668-02	1	Bracket, Solenoid				
	150-2668-02	1	Spec A				
	150-2699-02	1	Begin Spec B				

Cooling System



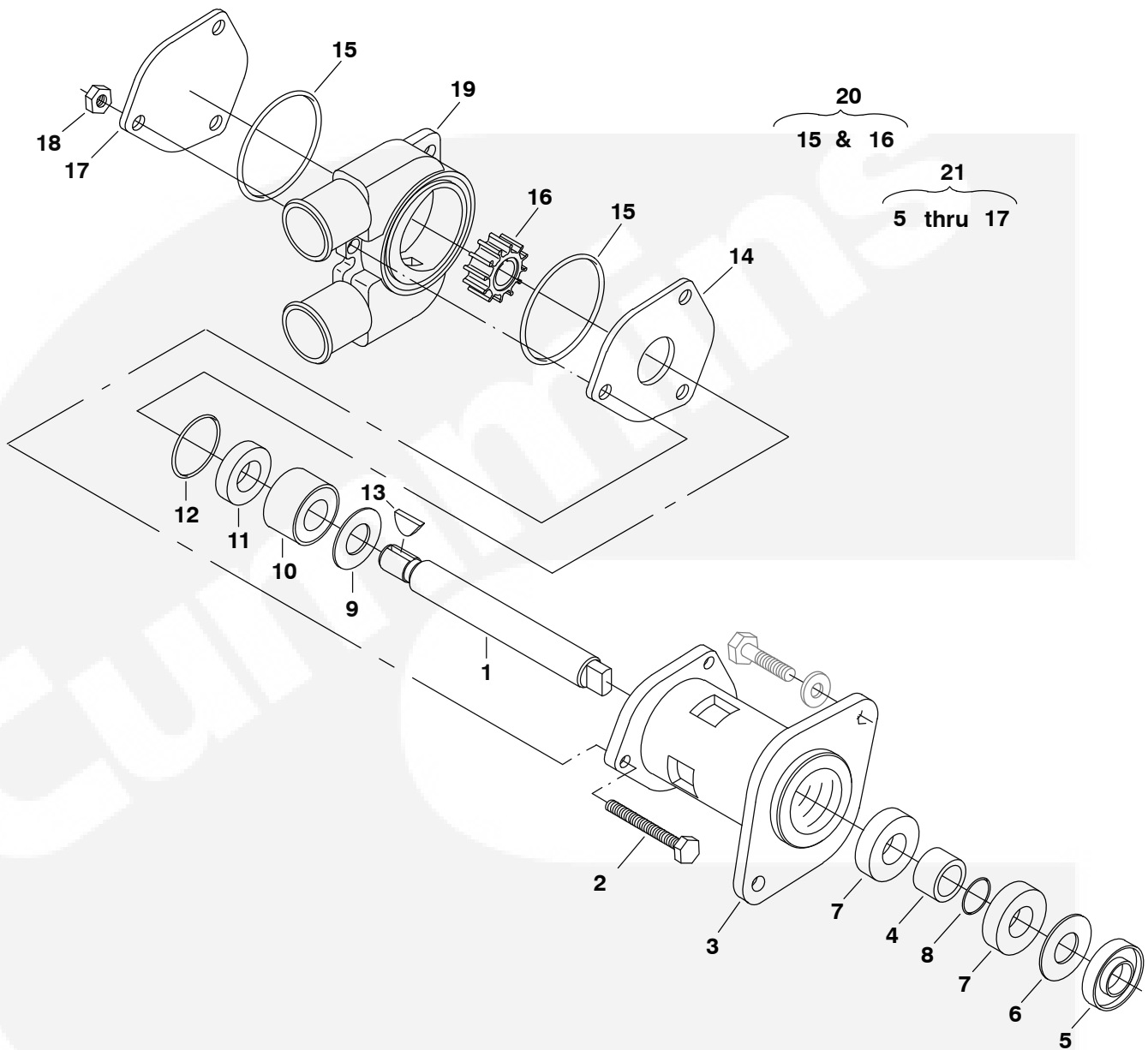
Cooling System

REF NO.	PART NO.	QTY USED	PART DESCRIPTION	REF NO.	PART NO.	QTY USED	PART DESCRIPTION
1	130-4985-03	1	Exchanger, Heat	17	800-3017-22	1	Screw, Hex Head Cap (M8 x 1.25 x 35mm)
2	130-5169	1	*Cover, End	18	821-6002-02	1	Screw, Hex Head Sems (M6 x 1 x 12mm)
3	800-0317	1	*Screw, Hex Head (5/16-18)	19	850-0114-53	2	Washer, Lock (M6)
4	130-5170	1	*Gasket, End Cover	20	850-0114-54	2	Washer, Lock (M8)
5	509-0351	1	*O'Ring	21	862-0026-54	2	Nut, Hex (M6 x 1mm)
6	130-4739-03	1	Bracket, Heat Exchanger	22	862-0026-55	1	Nut, Hex (M8 x 1.25)
7	130-4740-03	1	Strap, Mounting	23	508-0210	2	Edging, Heat Exchanger Bracket (2" x 45mm)
8	132-0358	1	Pump, Water (See Separate Page for Components)	24	185-6579	1	Gasket, Water Pump
9	503-1136	2	Clamp, Hose	25	130-4434	1	Pencil, Zinc
10	503-1137	2	Code E092	26	130-4803-02	1	+Tube, Water
	503-1137	6	Code E079	27	503-2086	1	+Hose, Coolant
11	503-2047	1	Hose, Coolant	28	503-1137	2	+Clamp, Hose
12	503-2096	1	Hose, Coolant	29	130-5176	1	Kit, Cap (Includes Parts Marked *)
13	503-2049	1	Hose, Coolant				
14	503-2050	1	Hose, Coolant				
15	518-0548-05	2	Code E079				
	518-0548-05	1	Code E092				
16	800-3017-19	1	Screw, Hex Head Cap (M8 x 1.25 x 20mm)				

* - Parts Included in Heat Exchanger Cap Kit.
+ - Parts Included in Sound Shield Kit Listed on Sound Shield Page.



Raw Water Pump Components

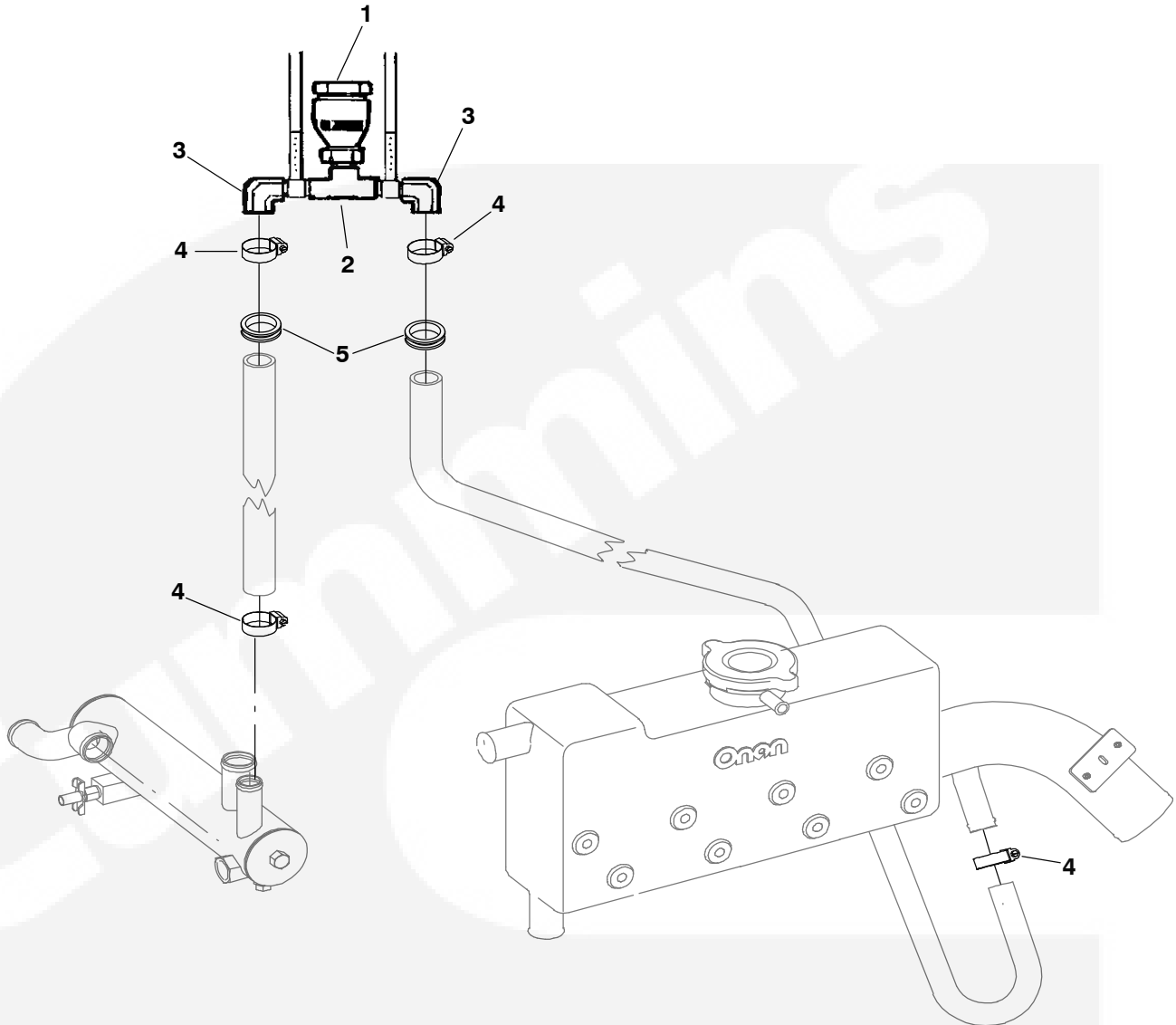


REF NO.	PART NO.	QTY USED	PART DESCRIPTION	REF NO.	PART NO.	QTY USED	PART DESCRIPTION
	132-0358	1	Pump, Water	14	132-0371	1	+Plate, Wear
1	132-0360	1	Shaft	15	132-0372	2	*+O'Ring
2	132-0376	3	Bolt	16	132-0375	1	*+Impeller
3	132-0362	1	Body	17	132-0373	1	+Plate, Cover
4	132-0367	1	Spacer	18	132-0377	3	Nut
5	132-0361	1	+Seal, Lip	19	132-0378	1	Housing
6	132-0363	1	+Ring, Internal Retaining	20	132-0379	1	Kit, Minor Service (Includes Parts Marked *)
7	132-0364	2	+Bearing, Ball	21	132-0380	1	Kit, Major Service (Includes Parts Marked +)
8	132-0365	1	+Ring, External Retaining				
9	132-0368	1	+Washer,				
10	132-0366	1	+Seal, Mechanical				
11	132-0369	1	+Seat, Seal				
12	132-0370	1	+O'Ring				
13	132-0374	1	+Key				

* - Parts Included in Minor Service Kit.

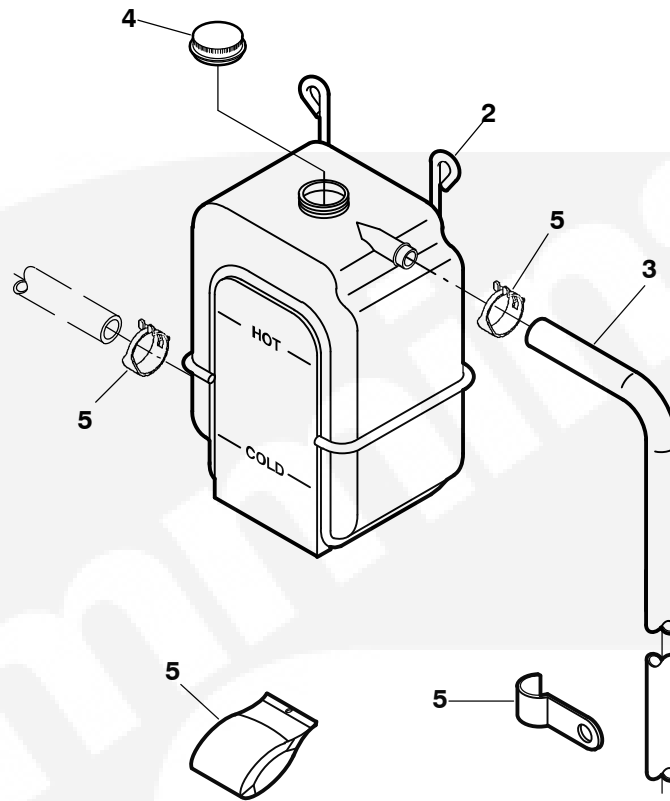
+ - Parts Included in Major Service Kit.

Vacuum Relief Valve



REF NO.	PART NO.	QTY USED	PART DESCRIPTION	REF NO.	PART NO.	QTY USED	PART DESCRIPTION
	541-0876-01	1	Kit, Siphon Break	3	502-0915	2	Elbow, 90 Hose (1/2 Npt X 3/4")
1	504-0062	1	Valve, Vacuum Relief	4	503-0977	4	Clamp, Hose (#10)
2	502-0161	1	Tee (1/2")	5	508-1102	2	Grommet (Housed Units)

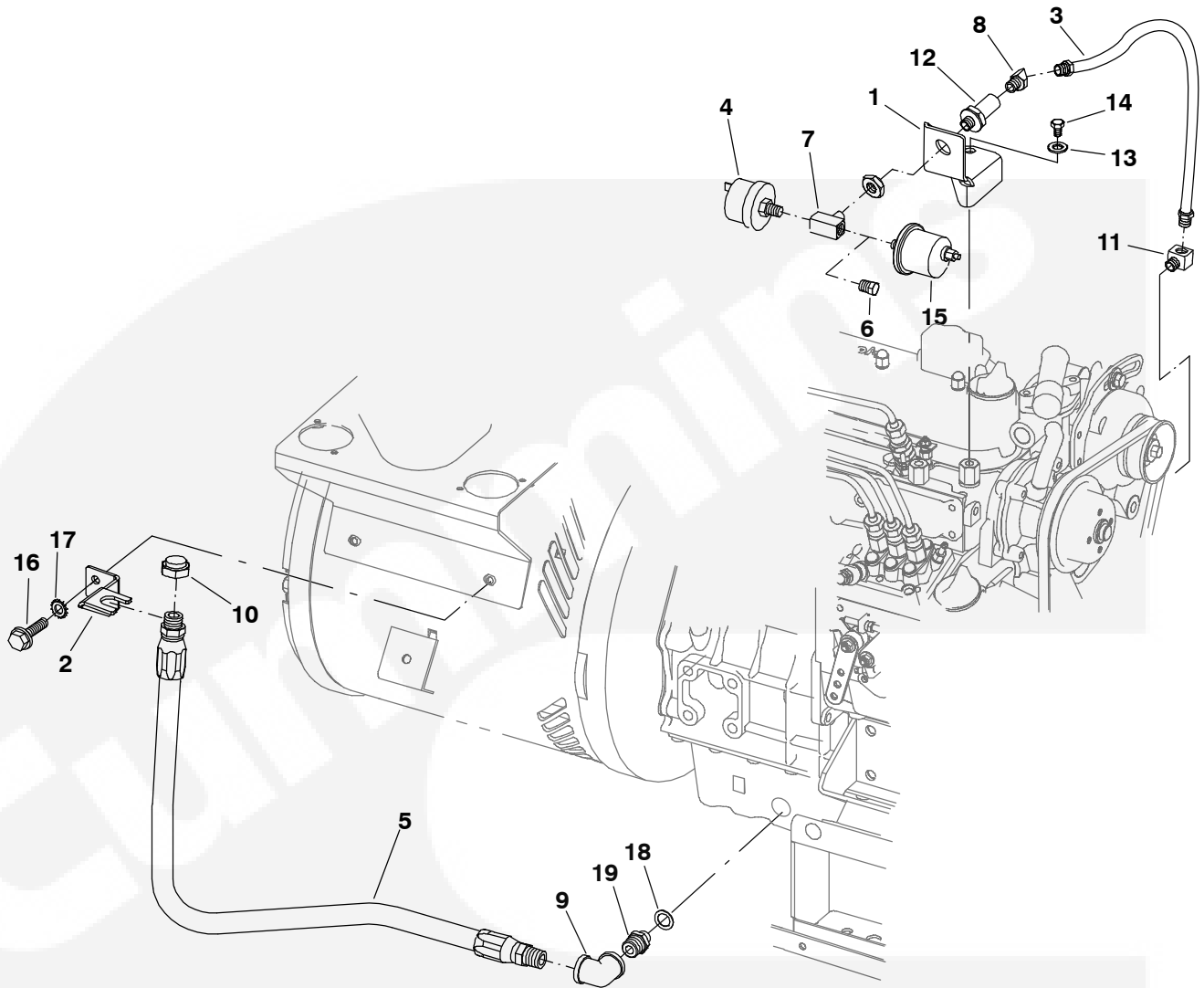
Coolant Recovery Tank



REF NO.	PART NO.	QTY USED	PART DESCRIPTION	REF NO.	PART NO.	QTY USED	PART DESCRIPTION
	130-3574	1	Kit, Coolant Recovery	4	130-3572	1	Cap, Tank
1	130-3570	1	Tank, Recovery	5	130-3573	1	Hardware Package (Includes Mounting Hardware)
2	130-3571	1	Hanger, Tank				
3	503-1692	1	Hose (5/16 I.D. x 120" Lg.)				



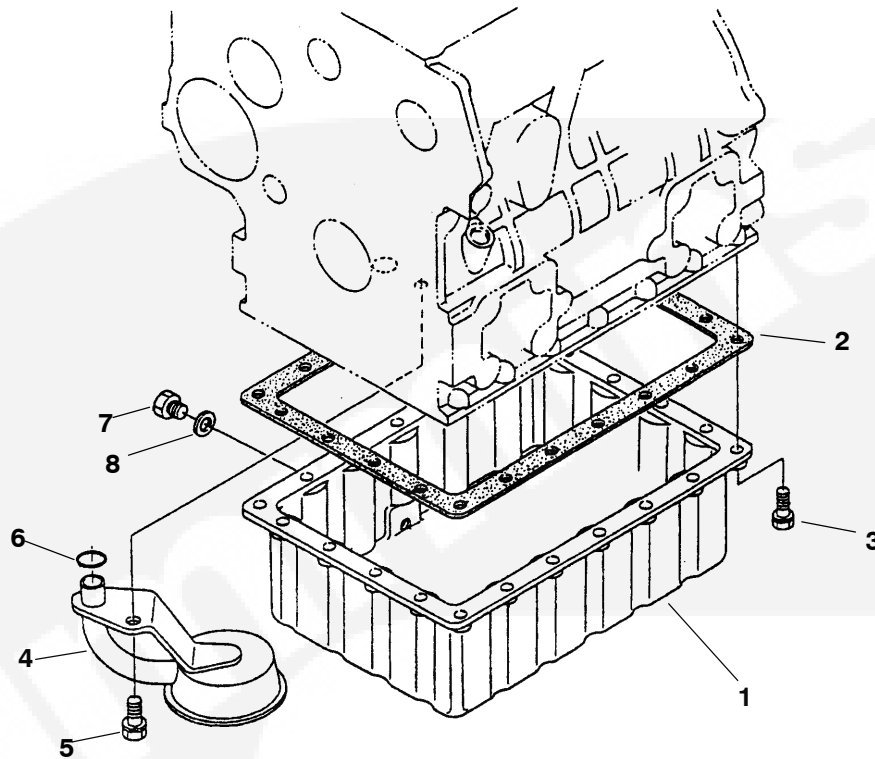
Oil System



REF NO.	PART NO.	QTY USED	PART DESCRIPTION	REF NO.	PART NO.	QTY USED	PART DESCRIPTION
1	120-1330-03	1	Bracket, Oil Pressure Switch	14	800-3017-17	2	Screw, Hex Head Cap (M8 x 1.25 x 12mm)
2	120-1331-03	1	Bracket, Oil Drain	15			*Sender, Oil Pressure (E1)
3	122-0832	1	Line, Oil		193-0244	1	Negative Ground (B200, B201)
4			Switch, Pressure (S4)		193-0430-01	1	Isolated Ground (B380)
	309-0641-05	1	Negative Ground (B200, B201)	16	815-0236	1	Screw, Hex Head Cap (5/16-18 x .62")
	309-0641-03	1	+ Isolated Ground (B380)	17	853-0040-55	1	Washer, ET (M8)
5	501-0624	1	Hose, Oil Drain	18	185-5495	1	Washer
6	502-0028	1	Plug, Hex Head Pipe	19	102-1485	1	Adapter, Oil Drain
7	502-0057	1	Tee, Special Pipe				
8	502-0065	1	Elbow, Inverted Male				
9	502-0263	1	Elbow, Pipe				
10	502-1123	1	Cap, Pipe				
11	502-1309	1	Elbow, 90° Male				
12	502-1244	1	Coupling, Anchor				
13	526-0399-60	2	Washer, Flat (M8)				

* - Sender Included in Sender Kit Listed on Water Flange Page.
+ - Switch Included in Isolated Ground Kit Listed on Isolated Ground Page

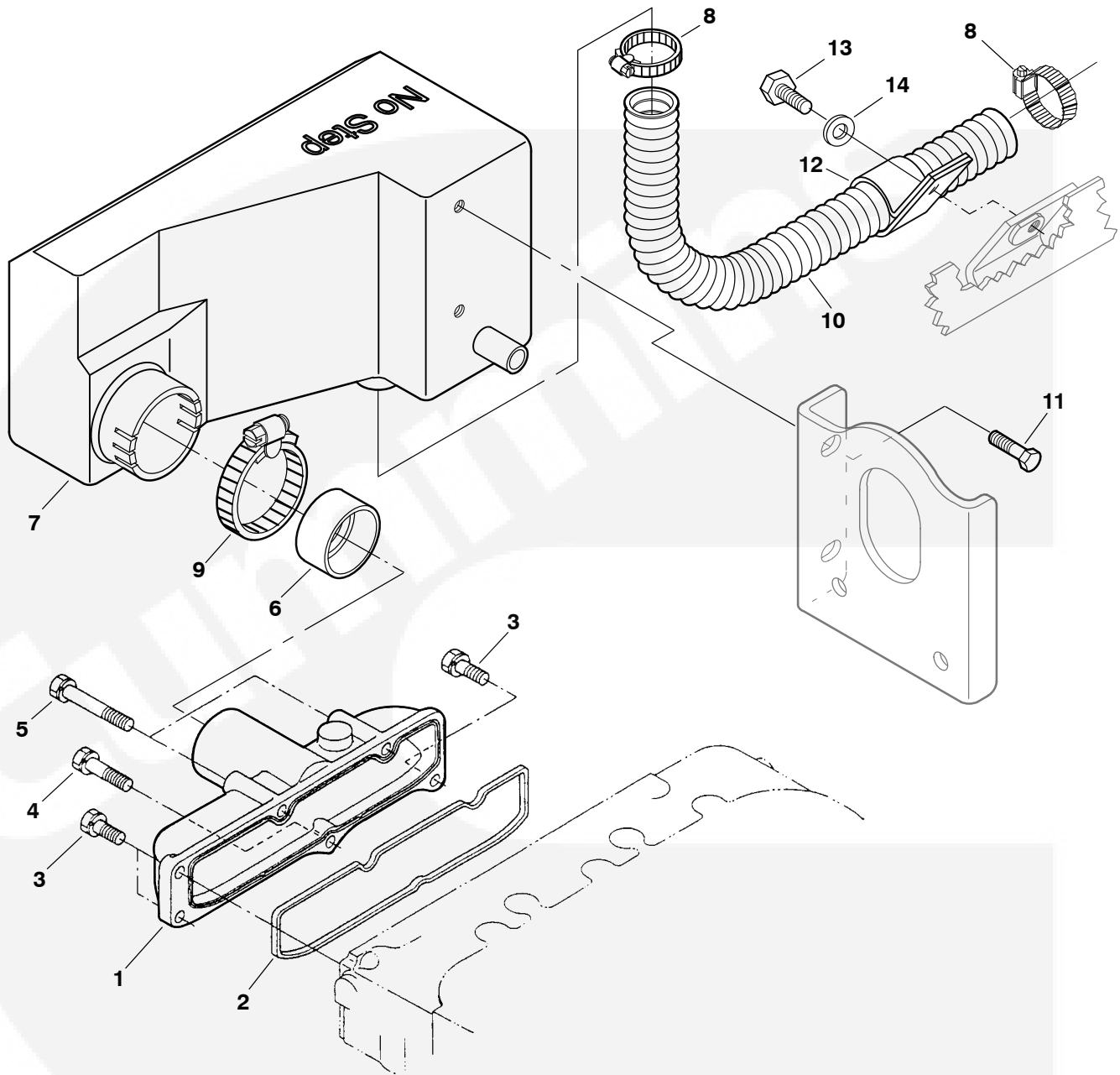
Oil Pan



REF NO.	PART NO.	QTY USED	PART DESCRIPTION	REF NO.	PART NO.	QTY USED	PART DESCRIPTION
1	185-7213	1	Pan, Oil	5	185-6762	1	Bolt
2	185-7214	1	Gasket, Oil Pan	6	185-3078	1	O'Ring
3	185-2389	22	Bolt	7	185-2096	1	Plug
4	185-7215	1	Tube, Oil Pickup	8	185-2343	1	Gasket



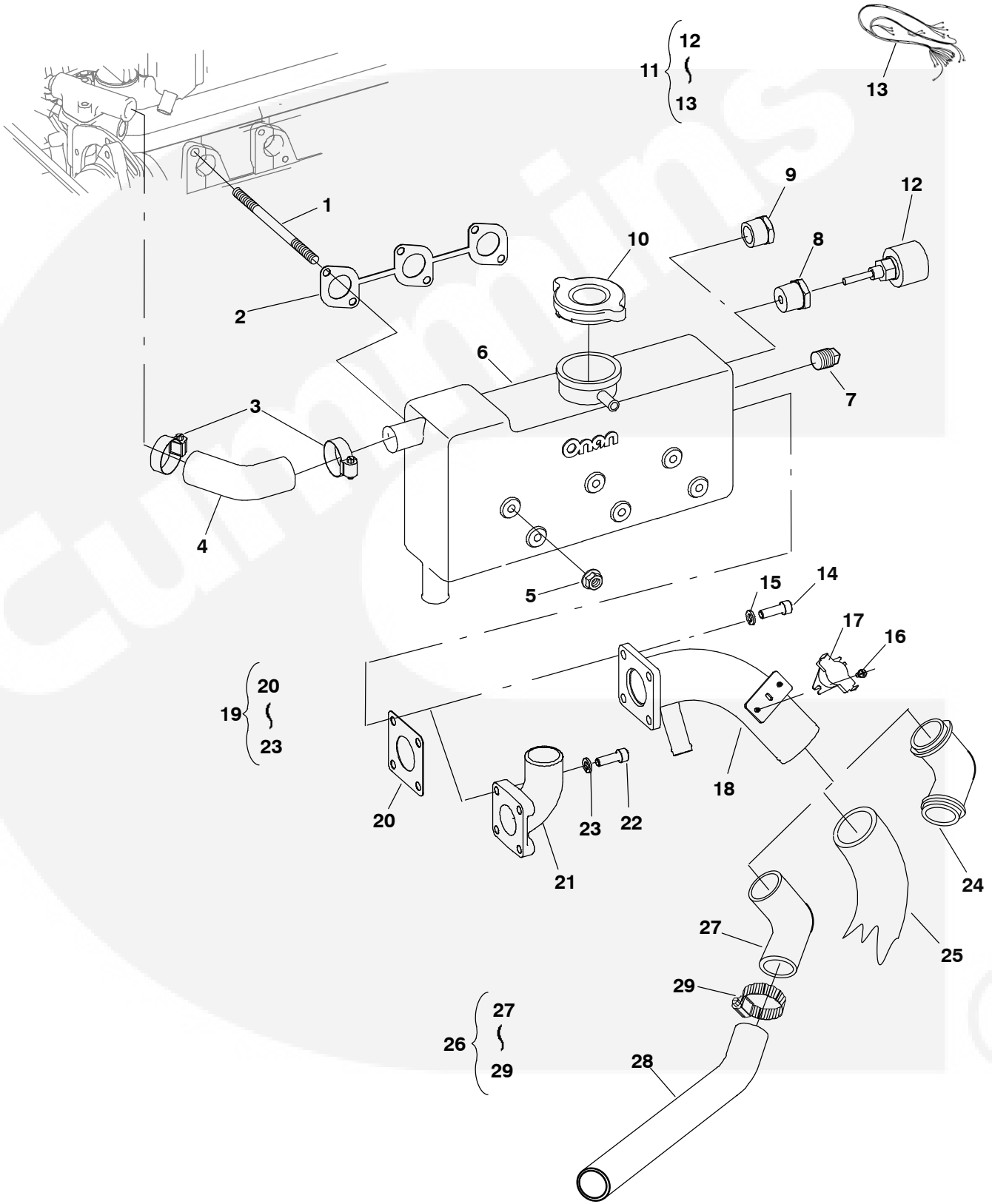
Resonator



REF NO.	PART NO.	QTY USED	PART DESCRIPTION	REF NO.	PART NO.	QTY USED	PART DESCRIPTION
1	185-6927	1	Manifold, Intake (Includes Gasket)	11	821-6002-02	2	Screw, Hex Head Sems (M6 x 1 x 12mm)
2	185-6926	1	Gasket	12	503-1950	1	Clamp
3	185-2389	3	Screw, Hex Head (M6 x 18mm)	13			Screw, Hex Head Sems (M8 x 16mm)
4	185-6677	1	Screw		800-3017-17	1	Spec A (M8 x 1.25 x 12mm)
5	185-7069	2	Screw, Hex Head (M6 x 50mm)		821-6003-01	1	Begin Spec B (M8 x 16mm)
6	140-2898	1	Sleeve, Air Intake	14	526-0399-60	1	Washer (M8) (Spec A)
7	140-3078	1	Resonator, Intake				
8	503-1138	2	+Clamp, Hose				
9	503-1141	1	Clamp, Hose				
10	503-2072-01	1	Hose, Air Intake				

+ - Clamp (qty1) Included in Sound Shield Kit Listed on Sound Shield Page.

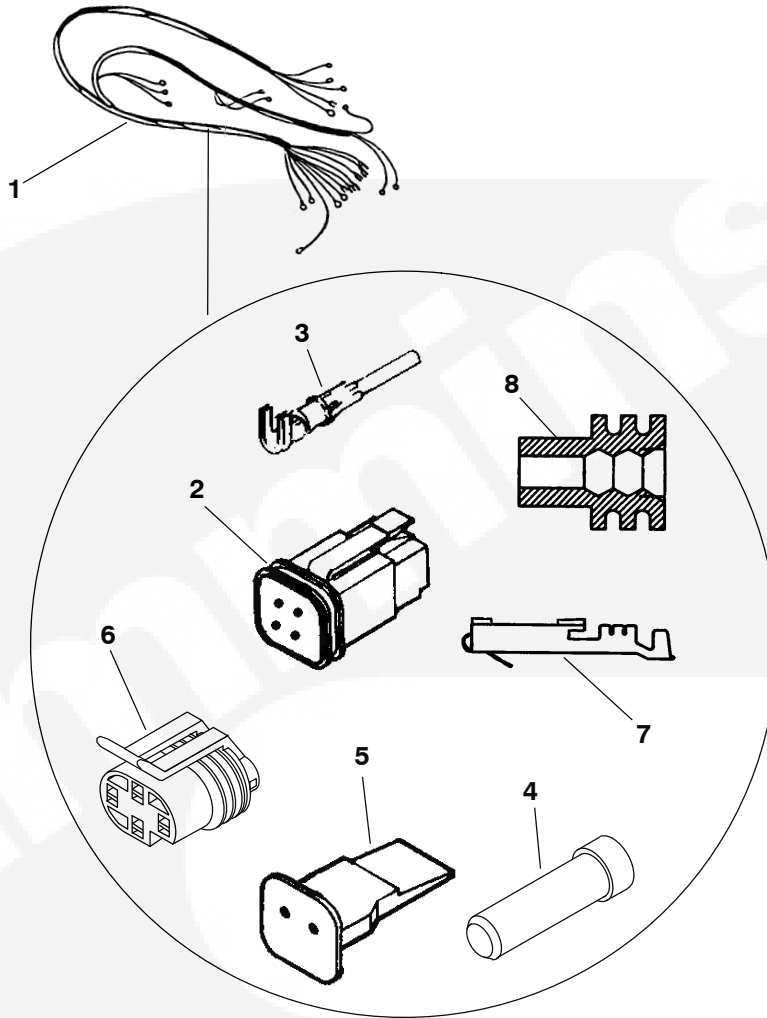
Exhaust Manifold



Exhaust Manifold

REF NO.	PART NO.	QTY USED	PART DESCRIPTION	REF NO.	PART NO.	QTY USED	PART DESCRIPTION
1	185-7110	6	Stud, Exhaust Manifold	17	309-0295	1	Switch, Temperature (E086) (S5)
2	185-6925	1	Gasket	18	155-3261-02	1	Mixer (E086)
3	503-1137	2	Clamp, Hose	19	155-3146	1	Kit, Dry Exhaust (Includes Elbow, Gasket, Screws and Washers)
4	503-2046	1	Hose, Coolant	20	185-6853	1	Gasket
5	185-6699	6	Nut (M7 x 1mm)	21	155-2666-01	1	Elbow, Exhaust (A148)
6	154-3020	1	Manifold	22	800-3017-21	4	Screw, Hex Head Cap (M8 x 1.25 x 30) (A148)
7	502-0153	1	Plug, Hex Pipe (1/4)	23	850-0114-54	4	Washer, Lock (M8)
8	502-0029-06	1	Bushing, Reducer (3/4-1/4") (H549)	24	155-2033	1	Elbow, 90° Exhaust Elbow (2")
9	502-0820	1	Plug, Pipe (3/4 NPT) (W/O H549)	25			Hose, Exhaust
10	130-3721	1	Cap, Manifold		503-1963-04	1	2" x 3'
11	300-5197	1	Kit, Low Coolant Sender (Includes Sender and Harness)		503-1963-05	1	2" x 5'
12	193-0468	1	Sender, Low Coolant (S3) (H549)		503-1353	1	2" x 10'
13	338-3711	1	Harness, Low Coolant (H549) (See Separate Page for Components)	26	155-3240	1	2" (Bulk Hose)
14	815-0916	4	Screw, Socket Head Cap (E086) (M8 x 1.25 x 25mm)				Kit, Exhaust (Includes Elbow, Tube, Clamps and Grommet Listed on Sound Shield Front Panel Page)
15	850-0114-54	4	Washer, Lock (M8)	27	503-1527	1	Elbow, Molded Exhaust
16	815-0862	2	Screw, Pan Head Cross (E086) Recessed (M4 x 0.7 x 10mm)	28	155-3233	1	Tube, Exhaust
				29	503-1142	4	Clamp, Hose

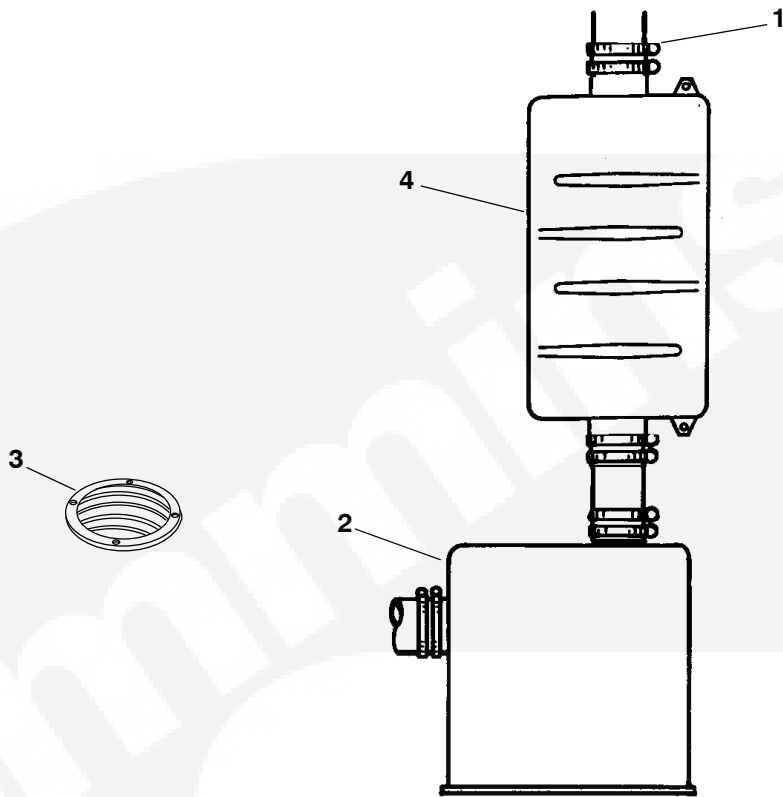
Low Coolant Harness



REF NO.	PART NO.	QTY USED	PART DESCRIPTION	REF NO.	PART NO.	QTY USED	PART DESCRIPTION
1	338-3711	1	Harness, Low Coolant (H549)	5	323-1548	1	Wedge, Plug (4 Pin)
2	323-1546	1	Plug, Connector (4 Pin)	6	323-1765	1	Housing, Connector (4 Pin)
3	323-1492	AR	Terminal, Socket	7	323-1709	AR	Socket, Terminal
4	323-1591	AR	Plug, Connector	8	323-1708	AR	Seal, Cable



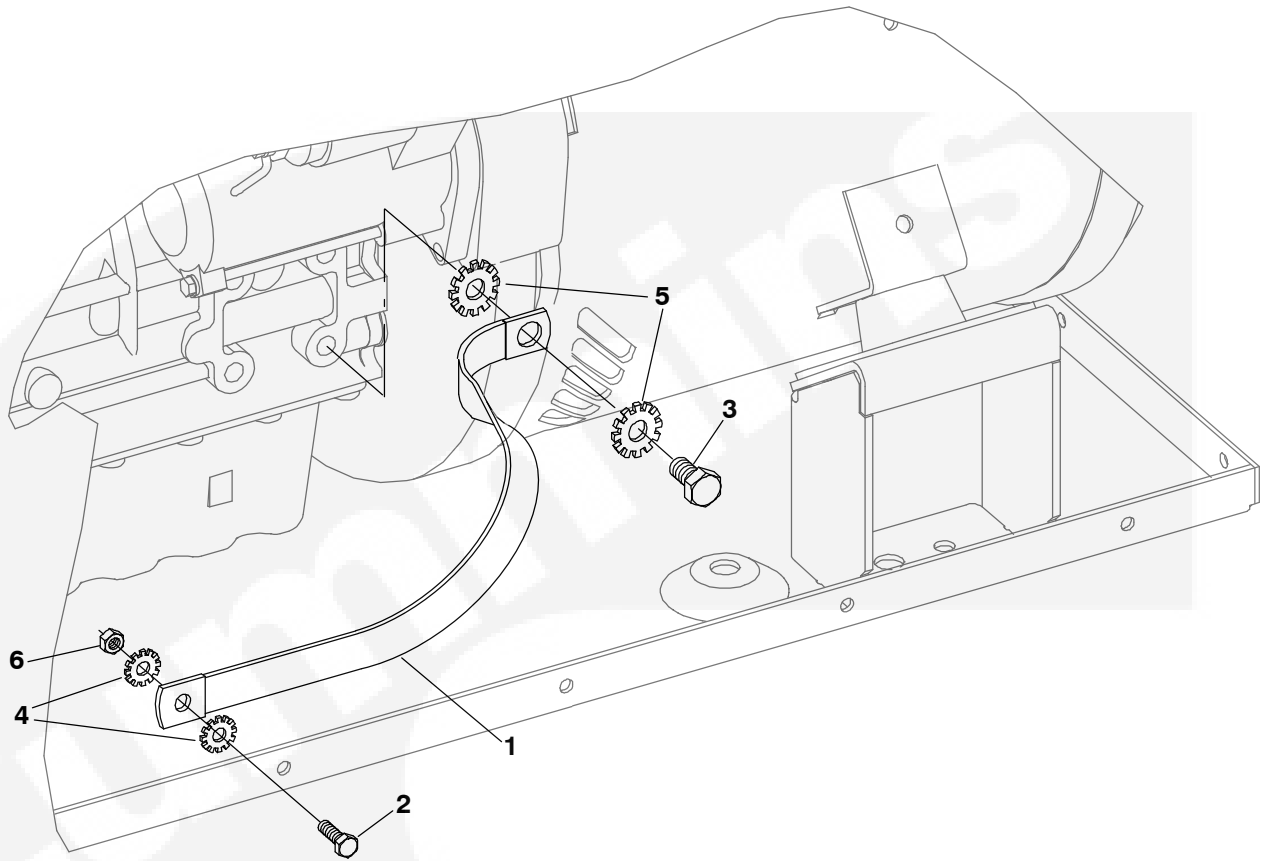
Resonator/Muffler



REF NO.	PART NO.	QTY USED	PART DESCRIPTION	REF NO.	PART NO.	QTY USED	PART DESCRIPTION
	155-3147	1	Kit, Marine Muffler	3	155-1002	1	Strainer, Slotted
1	503-1142	12	Clamp, Hose	4	155-3149	1	Resonator, Marine (2")
2	155-2029	1	Muffler, Marine				



Negative Ground



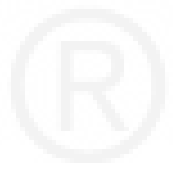
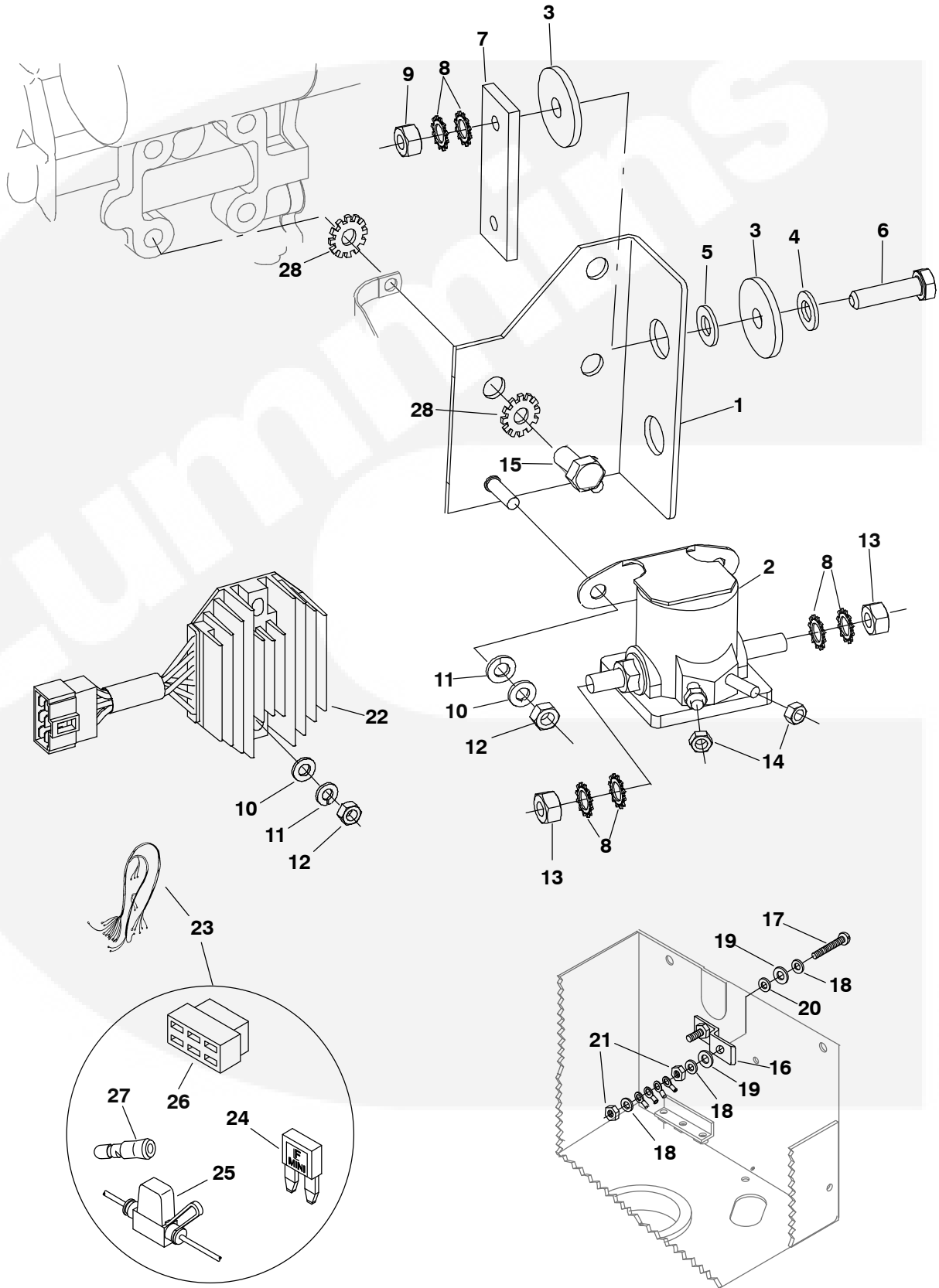
REF NO.	PART NO.	QTY USED	PART DESCRIPTION	REF NO.	PART NO.	QTY USED	PART DESCRIPTION
1	337-2785	1	Strap, Bond	4	856-0006	2	Washer, ET (1/4")
2	800-3017-04	1	Screw, Hex Head Cap (M6 x 1 x 20mm)	5	853-2010	8	Washer, ET Lock (M10)
3	800-3030	4	Screw, Hex Head Cap (M10 x 1.25 x 20mm)	6	862-0026-54	1	Nut, Hex (M6 x 1mm)



Intentionally Left Blank



Isolated Ground



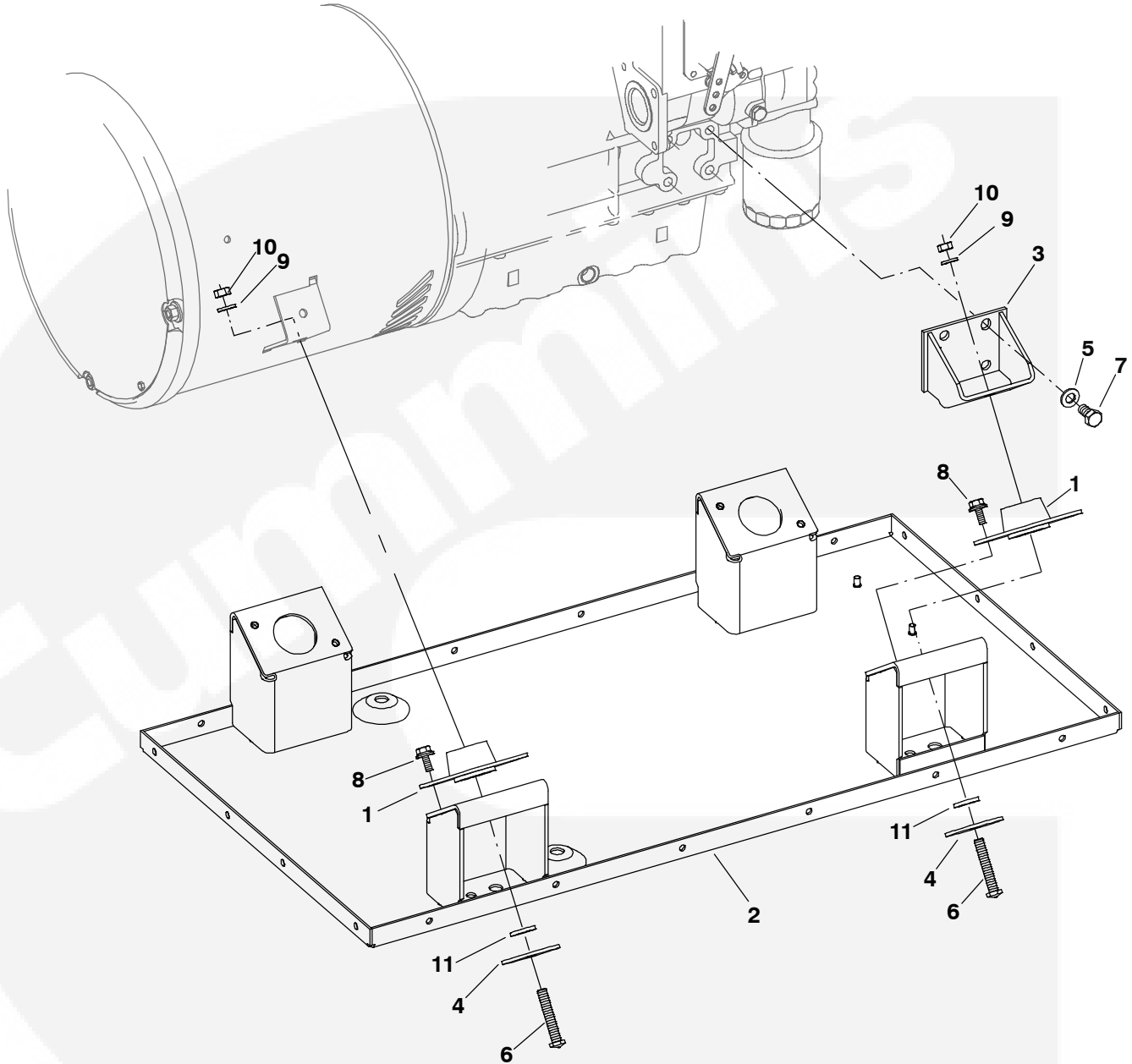
Isolated Ground

REF NO.	PART NO.	QTY USED	PART DESCRIPTION	REF NO.	PART NO.	QTY USED	PART DESCRIPTION
			*Kit, Isolated Ground	13	862-0026-30	2	Nut, Hex (5/16-24)
	300-5122	1	Spec A	14	870-0131-01	2	Nut, ET Hex (#10-32)
	300-5170	1	Begin Spec B	15	800-3030	4	Screw, Hex Head Cap (M10 x 1.25 x 20mm)
1			Bracket, Solenoid	16	337-3034-02	1	Strip, Isolated Ground
	191-2262-03	1	Spec A	17	811-0105	1	Screw, Round Head Brass Machine (#10-32 x 1")
	191-2273-03	1	Begin Spec B	18	526-0049	3	Washer, Flat Brass(#10)
2	307-1617	1	Relay, Solenoid	19	508-0017	2	Washer
3	508-0328	4	Washer, Insulation	20	508-0016	1	Washer
4	526-0399-60	2	Washer, Flat (M8)	21	871-0010	2	Nut, Hex Brass Machine (#10-32)
5	508-0334	2	Washer, Insulation	22	191-2095	1	Regulator, Voltage (Spec A)
6	815-0920	2	Screw, Brass Hex Head Cap	23	338-3675	1	Harness, Isolated Ground (Includes Fuse, Holder and Connectors) (Spec A)
7	337-3031	1	Strip, Ground	24	321-0307-06	1	Fuse (15A, Lt Blue)
8	853-0016	8	Washer, ET Lock (5/16")	25	321-0325	1	Holder, Fuse
9	871-0025	2	Nut, Hex Brass (5/16-18)	26	323-1573	1	Connector, Plug
10			Washer, Flat (M6)	27	332-3279	AR	Connector, Bullet
	526-0399-58	4	Spec A	28	853-2010	2	Washer, ET Lock (M10)
	526-0399-58	2	Begin Spec B				
11			Washer, Lock (M6)				
	850-0114-53	4	Spec A				
	850-0114-53	2	Begin Spec B				
12			Nut, Hex (M6)				
	862-0026-54	4	Spec A				
	862-0026-54	2	Begin Spec B				

* - Kit also includes Oil Pressure and Water Temperature Switches found on Oil System and Water Flange Pages.

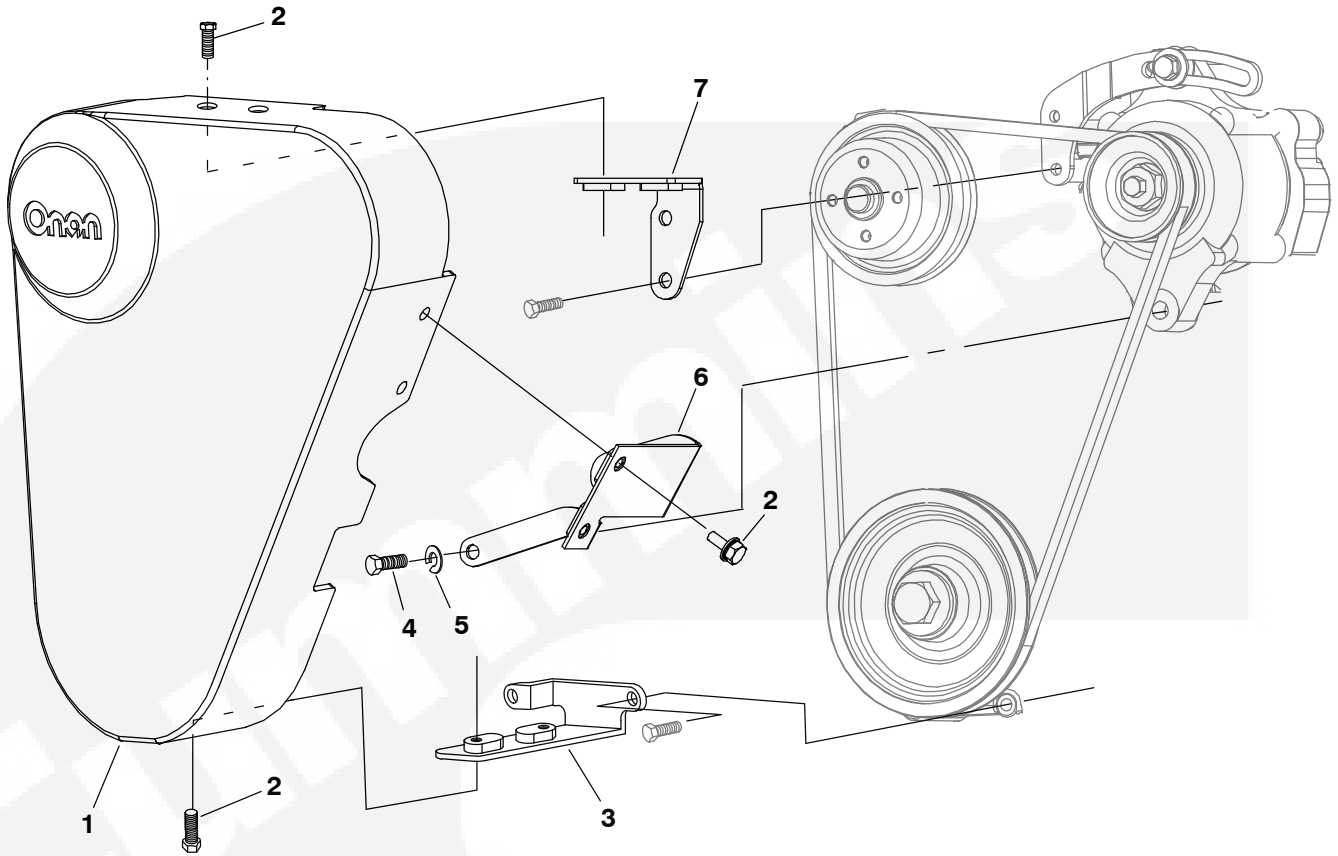


Mounting Base



REF NO.	PART NO.	QTY USED	PART DESCRIPTION	REF NO.	PART NO.	QTY USED	PART DESCRIPTION
1	402-0728	4	Isolator, Vibration (Blue Dot, 150lbs)	7	800-3030	8	Screw, Hex Head Cap (M10 x 1.25 x 20mm)
2	403-4127-02	1	Pan, Drip	8	821-6003-01	8	Screw, Hex Head Sems ((M8 x 1.25 x 16mm)
3	403-4168-03	2	Mount, Engine Spec A (Black)	9	850-0114-07	4	Washer, Lock (3/8")
	403-4168-04	2	Begin Spec B (White)	10	862-0026-07	4	Nut, Hex (3/8-16)
4	526-0325	4	Washer, Flat	11	526-0030	4	Washer, Flat
5	526-0399-62	8	Washer, Flat (M10)				
6	800-0573	4	Screw, Hex Head Cap (3/8-16 x 2.25")				

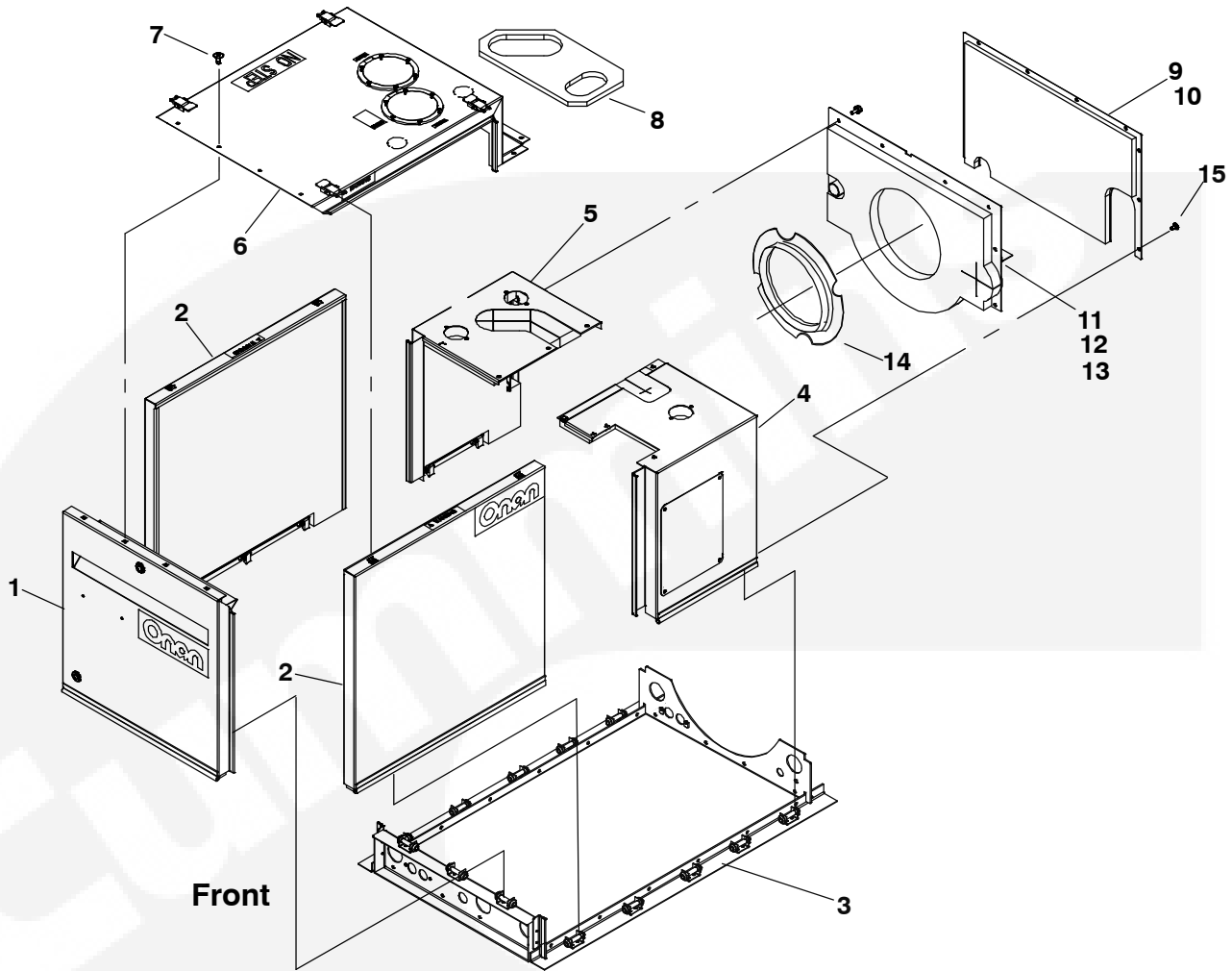
Belt Guard



REF NO.	PART NO.	QTY USED	PART DESCRIPTION	REF NO.	PART NO.	QTY USED	PART DESCRIPTION
1	130-4703	1	Guard, Belt Spec A	4	800-3017-02	1	Screw, Hex Head Cap (M6 x 12mm)
	130-4870	1	Begin Spec B	5	850-0114-53	1	Washer, Lock (M6)
2			Screw, Hex Head Sems (M6 x 1 x 12mm)	6	130-4945-03	1	Bracket, Belt Guard
	821-6002-02	4	Spec A	7	130-4752-04	1	Bracket, Belt Guard Spec A
	821-6002-02	6	Begin Spec B		130-4847-03	1	Begin Spec B
3			Bracket, Belt Guard				
	130-4753-04	1	Spec A				
	130-4869-03	1	Begin Spec B				



Sound Shield



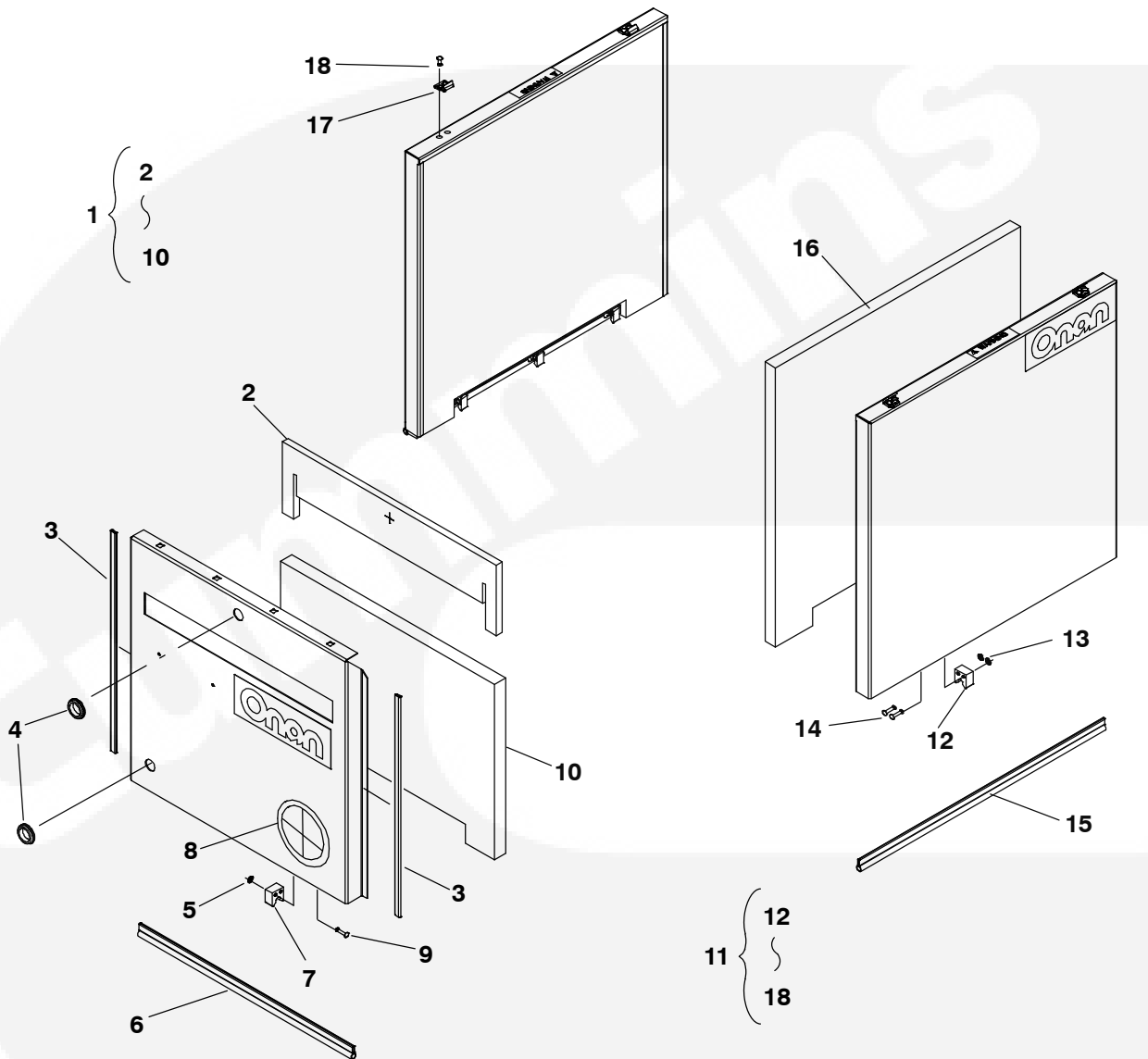
REF NO.	PART NO.	QTY USED	PART DESCRIPTION	REF NO.	PART NO.	QTY USED	PART DESCRIPTION
	405-6081	1	+Kit, Sound Shield (Includes all Parts on Following Sound Shield Pages)	12	405-6085	1	@Insulation, Baffle
1	405-5967-02	1	*Panel Assy, Front	13	508-1095	1	Grommet, Rubber
2	405-5971-02	2	*Door Assy	14			Inlet Assy, Generator (Includes Insulation)
3			*Rail Assy		405-6102	1	Inlet, Generator
	405-6040	1	Left		815-0181	3	Screw, ET Hex Head Thread Cutting (#10-32 x 1/2")
	405-6096-03	1	Rear		405-6100	1	@Insulation, Inlet Baffle
	405-6063	1	Right		405-6042-03		Spec B
	405-6048	1	Front	15	821-6002-02	8	Screw, Hex Head Sems (M6 x 1 x 12mm)
4	405-6078	1	*Housing Assy, Generator	16	405-6220-02	1	Kit, Insulation (Includes Parts Marked @)
5	405-5977	1	*Housing Assy, Generator				
6	405-5974-02	1	*Roof Assy				
7	815-0765	27	Screw, Truss Head (1/4-20 x 1/2")				
8			@Insulation, Control Box				
	405-6101	1	Spec A				
	405-6297	1	Begin Spec B				
9	405-5980-02	1	Cover Assy, Generator (Includes Insulation)				
10	405-6086	1	@Insulation, Cover				
11	405-6082-01	1	Baffle Assy, Generator (Includes Insulation and Grommet)				

+ - Kit Also Includes Water Tube, Coolant Hose and Clamps listed on Heat Exchanger Page and Hose Clamp on Resonator Page.

* - See Separate Page for Components.

@- Parts Included in Insulation Kit (Also Includes Parts Marked on Following Housing Component Pages).

Sound Shield Front Panel and Door Components



REF NO.	PART NO.	QTY USED	PART DESCRIPTION
1	405-5967-02	1	Panel Assy, Front (Includes Parts Marked *)
2	405-6104	1	@*Insulation, Front Panel
3	508-0210	2	*Edging (426mm)
4	508-0021	2	*Grommet, Rubber
5	526-0003	6	*Washer, Flat (#8)
6	508-1011	1	*Seal, Edge (478mm)
7	405-1872	3	*Clip, Door
8	508-0115	1	#*Grommet
9	818-0150	6	*Rivet, Drive
10	405-6057	1	@*Insulation, Front Panel
11	405-5971-02	2	Door Assy (Includes Parts Marked +)
12	405-1872	3	+Clip, Door

REF NO.	PART NO.	QTY USED	PART DESCRIPTION
13	526-0003	6	+Washer, Flat (#8)
14	818-0150	6	+Rivet, Drive
15	508-1011	1	+Seal, Edge (708mm)
16	405-6054	1	@+Insulation, Door
17	406-0528-01	2	+Strike, Spring
18	818-0194	4	+Rivet

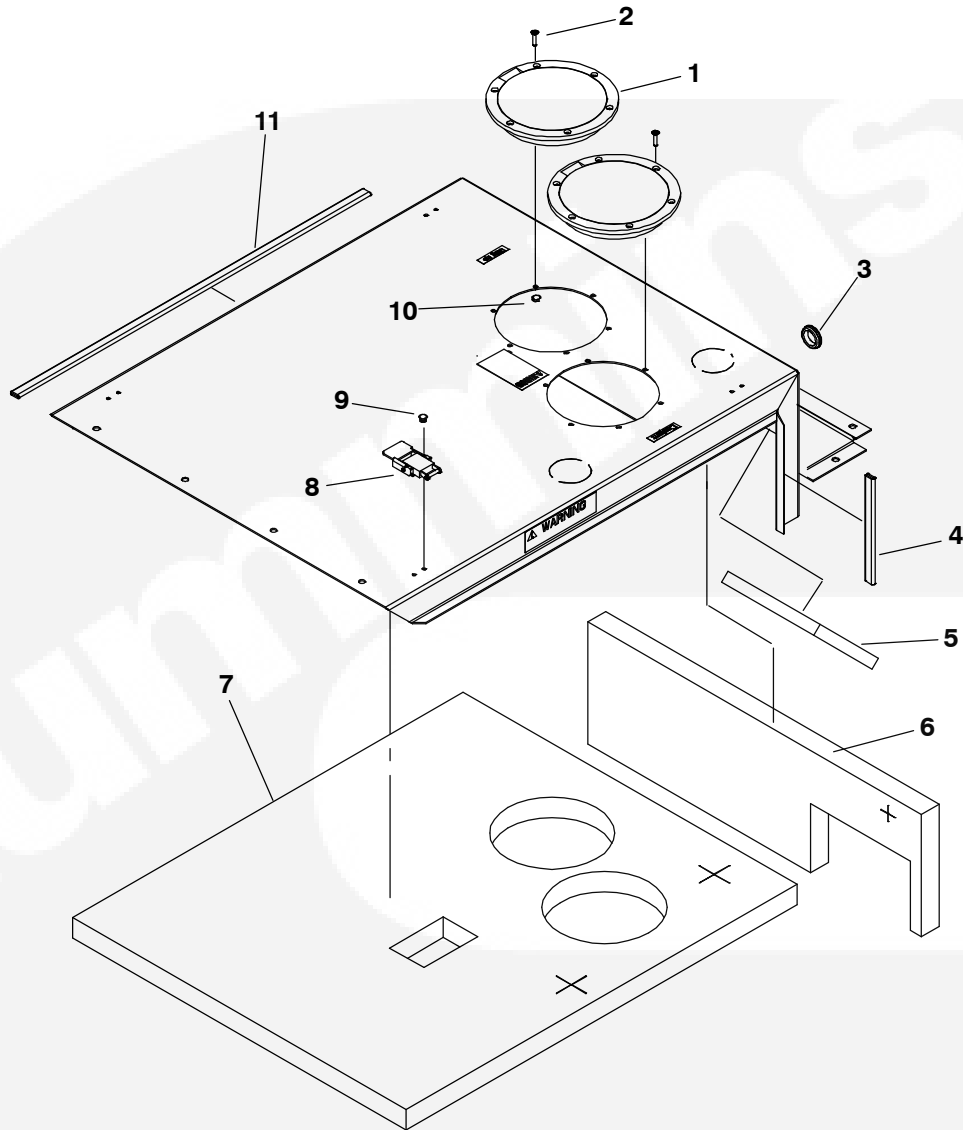
* - Parts Included in Panel Assy.

+ - Parts Included in Door Assy.

@- Parts Included in Insulation Kit Listed on Sound Shield Page.

- Grommet Included in Exhaust Kit Listed on Exhaust Manifold Page.

Sound Shield Roof Components

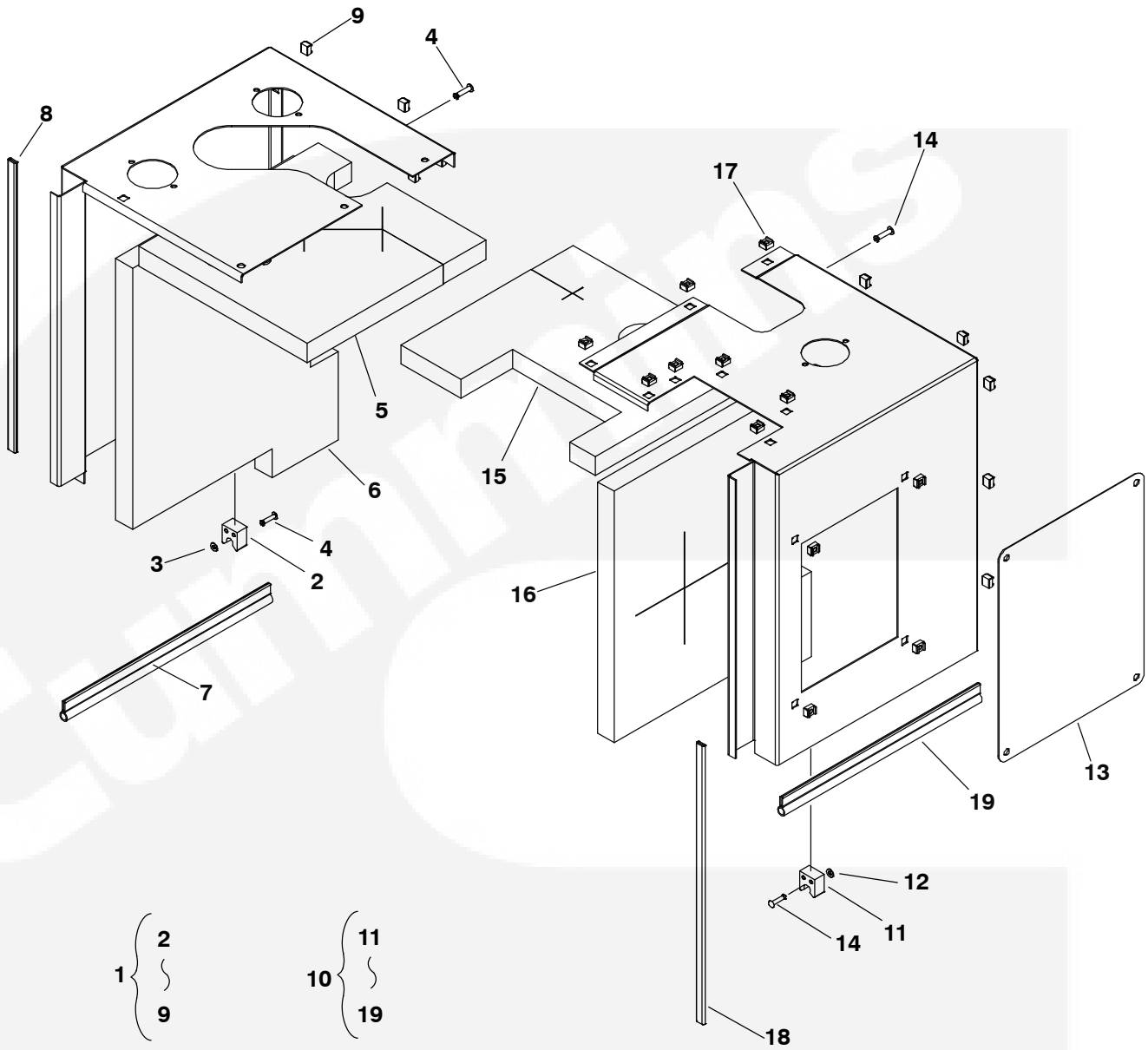


REF NO.	PART NO.	QTY USED	PART DESCRIPTION	REF NO.	PART NO.	QTY USED	PART DESCRIPTION
	405-5974-02	1	Roof Assy	7	405-6055	1	@ Insulation, Roof
1	405-4714	2	Cover, Access	8	406-0528-02	4	Catch, Spring
2	815-0918	12	Screw, Fillister Head Machine Cross Recessed (#6-32 x .62")	9	818-0194	8	Rivet
				10	860-0007	12	Nut, Hex (#6-32)
3	508-0021	1	Grommet, Rubber	11	508-0210	2	Edging (505mm)
4	508-0210	2	Edging (135mm)				
5	405-6058	1	@ Insulation, Generator Housing				
6	405-6056	1	@ Insulation, Roof				

@- Parts Included in Insulation Kit Listed on Sound Shield Page.



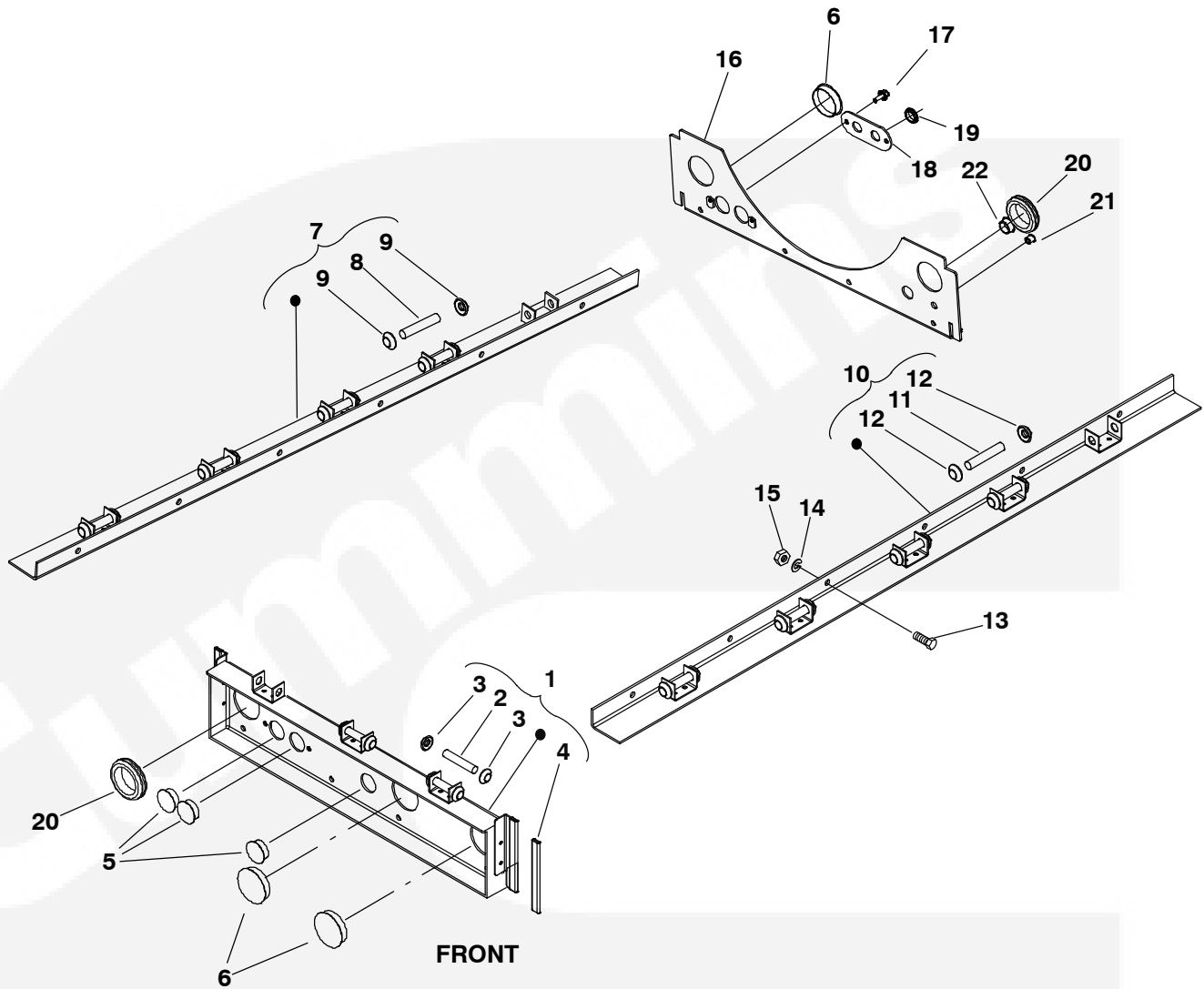
Sound Shield Generator Housing



REF NO.	PART NO.	QTY USED	PART DESCRIPTION	REF NO.	PART NO.	QTY USED	PART DESCRIPTION
1	405-5977	1	Housing Assy, Left Generator (Includes Parts Marked *)	12	526-0003	4	+Washer, Flat (#8)
2	405-1872	2	*Clip, Door	13	405-6043-03	1	Cover, Exhaust Access
3	526-0003	4	*Washer, Flat (#8)	14	818-0150	4	+Rivet, Drive
4	818-0150	4	*Rivet, Drive	15	405-6060	1	@+Insulation, Generator Housing
5	405-6084	1	@*Insulation Generator Housing	16	405-6059	1	@+Insulation, Generator Housing
6	405-6083	1	@*Insulation, Generator Housing	17	870-0110	17	+Nut, Retainer (1/4-20)
7	508-1011	1	*Seal, Edge (306mm)	18	508-0210	1	+Edging (373mm)
8	508-0210	1	*Edging (373mm)	19	508-1011	1	+Seal, Edge (306mm)
9	870-0110	6	*Nut, Retainer (1/4-20)				
10	405-6078	1	Housing Assy, Right Generator (Includes Parts Marked +)				
11	405-1872	2	+Clip, Door				

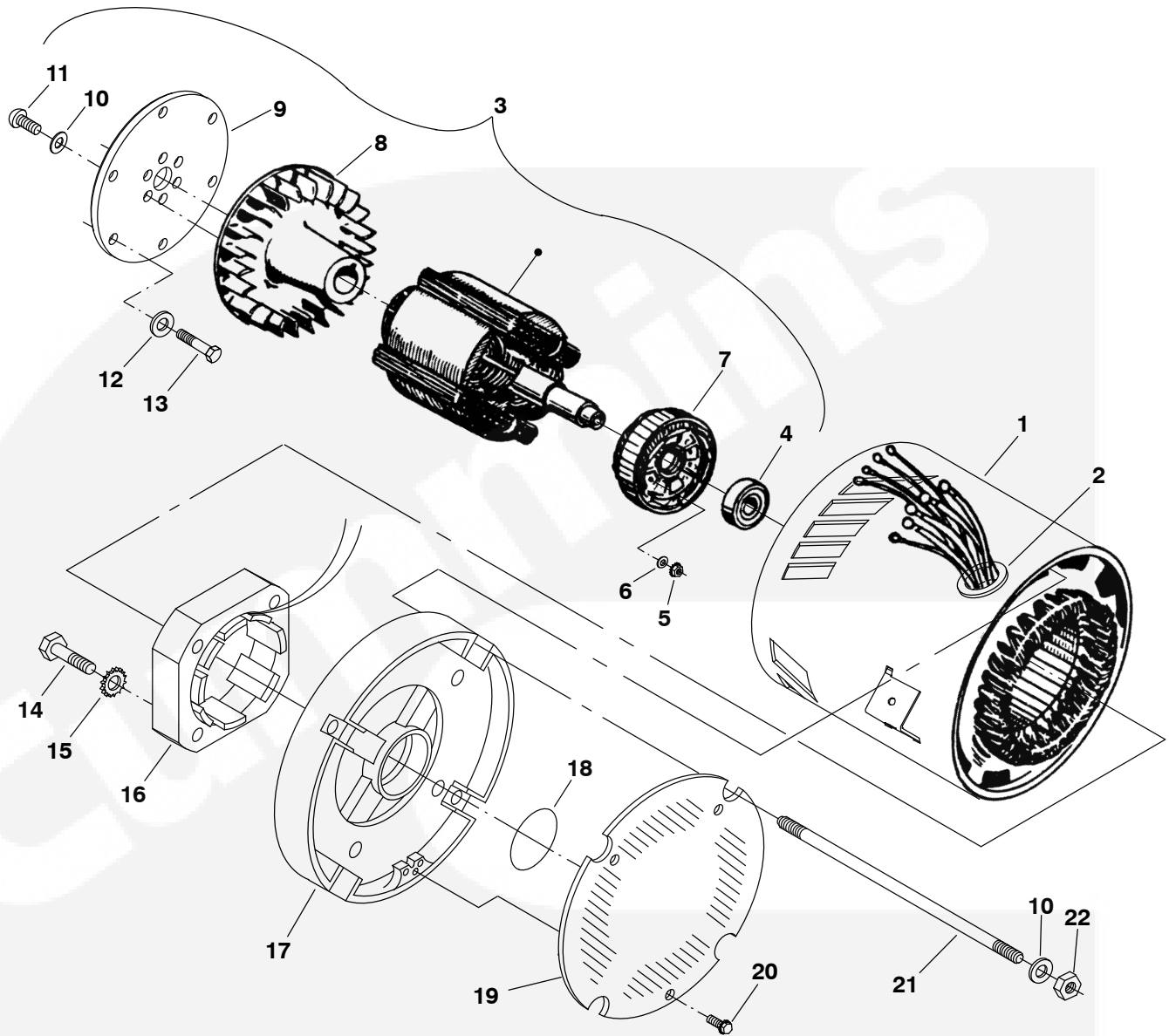
* - Parts Included in Left Side Generator Housing Assy.
 + - Parts Included in Right Side Generator Housing Assy.
 @- Parts Included in Insulation Kit Listed on Sound Shield Page.

Sound Shield Rail Components



REF NO.	PART NO.	QTY USED	PART DESCRIPTION	REF NO.	PART NO.	QTY USED	PART DESCRIPTION
1	405-6048	1	Rail Assy, Front (Includes, Pins Nuts and Edging)	12	870-0400	10	Nut, Push Cap
2	405-3111	3	Pin, Clip	13	800-3017-02	19	Screw, Hex Head Cap (M6 x 1 x 12mm)
3	870-0400	6	Nut, Push Cap	14	850-0114-53	19	Washer, Lock (M6)
4	508-0210	2	Edging (105mm)	15	862-0026-54	19	Nut, Hex (M6 x 1mm)
5	517-0138	3	Plug (1")	16	405-6096-03	1	Rail, Rear
6	517-0138-07	3	Plug, Hole (1.75")	17	821-6001-02	2	Screw, Hex Head Sems (M5 x 0.8 x 12mm)
7	405-6040	1	Rail Assy, Left (Includes Pins and Nuts)	18	405-6095-03	1	Flange, Bulkhead
8	405-3111	5	Pin, Clip	19	508-1125	2	Grommet
9	870-0400	10	Nut, Push Cap	20	508-1126	2	Grommet
10	405-6063	1	Rail Assy, Right (Includes Pins and Nuts)	21	517-0131	1	Plug, Hole (.38")
11	405-3111	5	Pin, Clip	22	517-0136	1	Plug, Hole (.75")

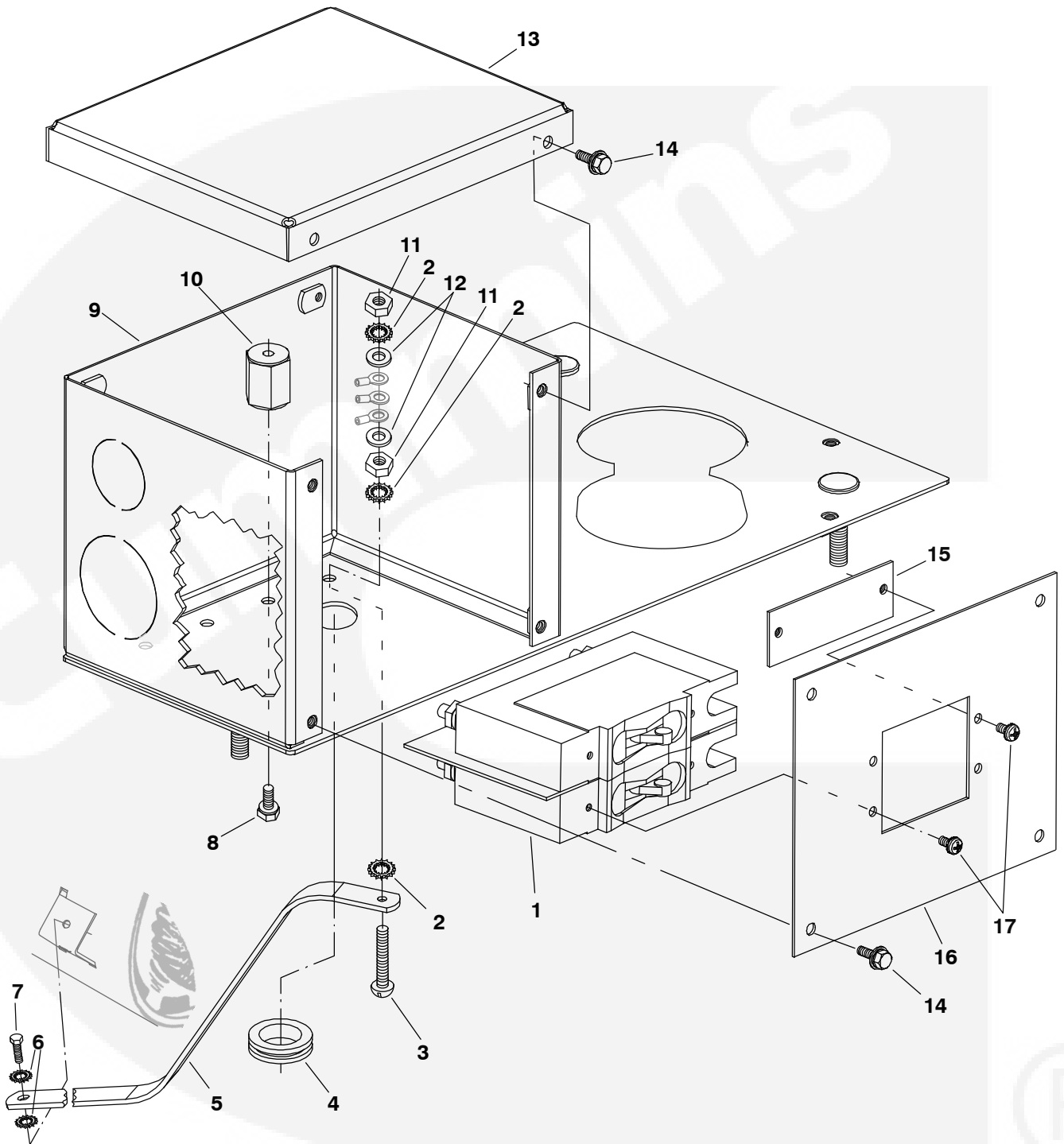
Generator



REF NO.	PART NO.	QTY USED	PART DESCRIPTION	REF NO.	PART NO.	QTY USED	PART DESCRIPTION
1			Stator, Generator (Includes Grommet) Spec A	11	815-0917-04	6	°Screw, Button Head Torx (3/8-16 x 1")
	220-4541-01	1	Single Phase	12	526-0399-41	6	Washer, Flat (M8)
	220-4560-01	1	Three Phase	13	800-2054	6	Screw, Hex Head Cap (M8 x 1.25 x 14mm)
			Begin Spec B	14	815-0935	4	Screw, Hex Head Thread Form (1/4")
	220-4541-05	1	Single Phase	15	853-0013	4	Washer, Lock ET (1/4")
	220-4560-05	1	Three Phase	16	220-4413-02	1	Stator, Exciter
2	508-0183	1	Grommet	17	211-0435-01	1	Endbell
3	201-3565-01	1	Rotor Assy, Generator (Includes Parts Marked °)	18	509-0094	1	Seal, O'Ring
4	510-0112	1	°Bearing, Ball	19	234-0989	1	Cover, Endbell
5	870-0131-01	2	°Nut, ET Hex (#10-32)	20	815-0181	3	Screw, ET Hex Head Thread Cutting (#10-32 x 1/2")
6	526-0399-11	2	°Washer, Flat (#10)	21	520-1002-06	4	Stud
7	201-3515-02	1	°Rotor, Exciter	22	862-0026-07	4	Nut, Hex (3/8-16)
8	205-0255	1	°Fan, Generator				
9	232-2826	1	°Disk, Rotor Drive				
10	526-0399-42	10	°Washer, Flat (3/8")				

° - Parts Included in Rotor Assy.

AC Control



AC Control

REF NO.	PART NO.	QTY USED	PART DESCRIPTION	REF NO.	PART NO.	QTY USED	PART DESCRIPTION
1			Breaker, Circuit (CB4)	8	821-0008	1	Screw, Lock Head Flange (Plated) (1/4-20 x 5/16")
			1 Pole				Box, Control
	320-1690-04	1	70A	9			Spec A
	320-1690-15	1	30A		319-3203-03	1	Begin Spec B
			2 Pole		319-3359-03	1	Standoff, Insulator
	320-1689-04	1	30A	10			Single Phase
	320-1689-05	1	35A		332-2370	1	Three Phase
	320-1689-06	1	40A		332-2370	3	Nut, Hex Brass (1/4-20)
			3 Pole	11	871-0016	2	Washer, Flat Brass (1/4)
	320-1891-05	1	15A	12	526-0052	2	Cover, AC
	320-1891-09	1	13A	13	319-3201-03	1	Screw, Hex Head Sems (M5 x 0.8 x 12mm)
	320-1836-02	1	20A	14	821-6001-02	6	Plate, CB Cover (Used with Single Pole Circuit Breaker)
	320-1836-03	1	25A				Cover, Circuit Breaker
	320-1836-04	1	30A	15	320-1813-02	1	1 or 2 Pole CB
2	856-0006	3	Washer, EIT Lock (1/4")				3 Pole CB
3	810-0155	1	Screw, Brass Round Head Machine (1/4-20 x 1.25")	16			Screw, Pan Head Cross Recessed (#6-32 x 5/16")
			Grommet		319-3199-03	1	1 or 2 Pole CB
4	508-0278	1	Strap, Bond		319-3227-03	1	3 Pole CB
5	337-2795	1	Washer, ET Lock (5/16")	17			Screw, Hex Head Cap
6	853-0016	2	Screw, Hex Head Cap		815-0550-01	4	1 or 2 Pole CB
7			Spec A (M8 x 1.25 x 12mm)		815-0550-01	6	3 Pole CB
	800-3017-17	1	Begin Spec B (M8 x 1.25 x 16mm)				
	800-3017-18	1					



DC Control (Spec A)

REF NO.	PART NO.	QTY USED	PART DESCRIPTION	REF NO.	PART NO.	QTY USED	PART DESCRIPTION
1	300-4981-01	1	Box Assy, Control (Includes Parts Marked *)	16	526-0049	2	*Washer, Flat Brass (#10)
2	319-3202-03	1	Box, Control	17	307-2767	7	*Relay, SPDT (12V) (K1, K2, K3, K5, K6, K8, K10, K11)
3	319-3213-04	1	*Panel, Rear Control	18	302-2002	1	*Hourmeter
4	305-0896		*Regulator, Voltage SRA	19	320-1862-01	1	*Breaker, Circuit (50A)
5	319-3212-02	1	*Panel, Control (Lower Portion)	20	320-1140	1	*Breaker, Circuit (15A)
6	508-0116	1	*Grommet	21	308-1027	1	*Switch, Rocker
7	870-0398	4	*Clip, Nut	22	320-1863	1	*Breaker & Terminal Assy
8	821-6001-02	12	*Screw, Hex Head Sems (M5 x 0.8 x 12mm)	23	526-0399-05	2	*Washer, Flat (#6)
9	815-0862	2	*Screw, Cross Recessed (M4 x 0.7 x 10mm)	24	800-0309-10	2	*Screw, Hex Head Machine (#6-32 x .25")
10	862-0026-52	2	*Nut, Hex (M4 x 0.7)	25	320-1954	1	*Adapter, Threaded
11	338-3605-01	1	*Harness, DC (Includes All of the Following Not Illustrated Parts and K4 Relay)	26	320-1953	1	*Boot, Pushbutton
	323-1549	1	Connector, Receptacle (J4)	27	850-0114-51	2	*Washer, Lock (M4)
	323-1547	1	Wedge, Receptacle (J4)	28	323-1541	1	*Plug (8 Pin)
	323-1542	1	Connector, Receptacle (J3)	29	323-1543	1	*Wedge, Plug
	323-1544	1	Wedge, Receptacle (J3)	30	323-1591	2	*Plug, Seal
	323-1546	1	Connector, Plug (P2)	31	319-3198-03	1	Cover, Control Box Panel, Control
	323-1548	1	Wedge, Plug (P2)	32			Without Gauges
	353-0053	1	Resistor (R1) (10 Ohm, 10W)		319-3219-02	1	With Gauges (See Separate Page for Components)
	352-0194	1	Resistor (R2) (10 Ohm, 5W)		300-4983-01	1	
	352-0195	1	Resistor (R3) (8.5 Ohm, 5W)	33	821-6001-02	6	Screw, Hex Head Sems (M5 x 0.8 x 12mm)
	357-0030	3	Rectifier (CR1, CR2, CR3)	34	338-3606	1	Harness, Engine (Includes Parts Marked +)
	323-1563	8	Socket, Relay	35	320-1928-01	1	+Breaker, Circuit (CB3)
	323-1767	1	Connector, Receptacle (J5)	36	870-0131	2	+Nut, ET Hex (#10-32)
	508-1105	1	Grommet	37	416-1021-03	1	+Boot, Engine Harness
	332-3556-04	1	Connector, Closed End	38	323-1134	AR	+Plug, Circular (P5) (16 Pin)
12	307-2828-01	1	Relay (K4)	39	323-1765	AR	+Housing, Connector (S3) (4 Pin)
13	815-0203	1	*Screw, ET Round Head Brass Machine (#10-32 x .88")				
14	856-0003	2	*Washer, EIT Lock (#10)				
15	871-0010	2	*Nut, Hex Brass (#10-32)				

* - Parts Included in Control Box Assy.
+ - Parts Included in Engine Harness.
° - Shipped Loose in Plastic Bag.



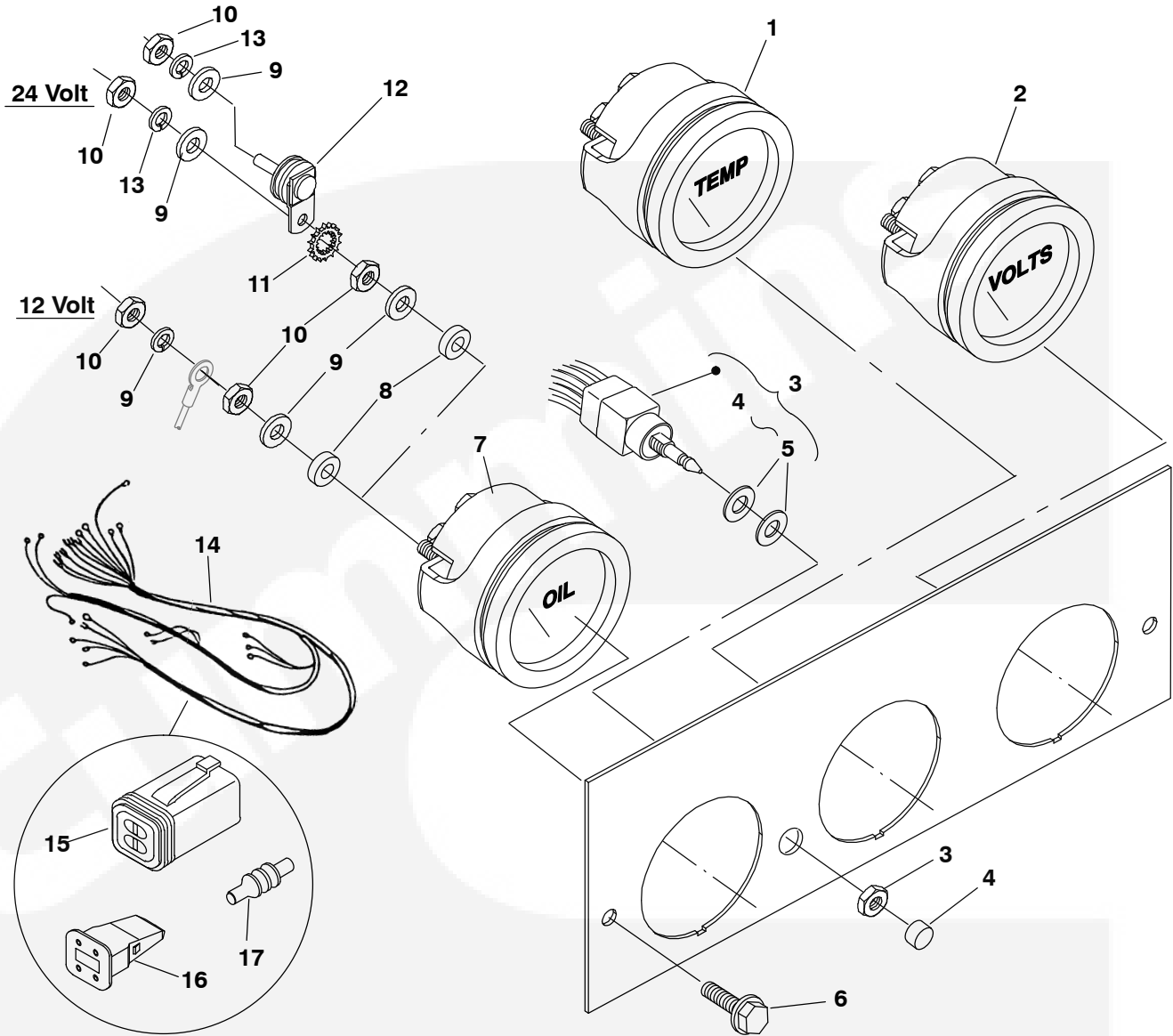
DC Control (Begin Spec B)

REF NO.	PART NO.	QTY USED	PART DESCRIPTION	REF NO.	PART NO.	QTY USED	PART DESCRIPTION
1			Box Assy, Control (Includes Parts Marked *)	17	871-0010	1	*Nut, Hex Brass (#10-32)
	300-5141-01	1	12V	18	815-0203	1	*Screw, ET Round Head Brass Machine (#10-32 x .88")
	300-5141-02	1	24V	19	319-3356-03	1	*Box, Control
2			*Harness, DC (Includes All of the Following Not Illustrated Parts and the K4 Relay)	20	508-1095	1	*Grommet
	338-3691-01	1	12V	21	320-1863	1	*Breaker & Terminal Assy (0.5A)
	338-3691-02	1	24V	22	302-2002	1	*Hourmeter
	323-1549	1	Connector, Receptacle (J4)	23	320-1769-01	1	*Breaker, Field (2A)
	323-1547	1	Wedge, Receptacle (J4)	24	320-1862-01	1	*Breaker, Circuit (50A)
	323-1542	1	Connector, Receptacle (J3)	25	319-3430-02	1	*Panel, Control (Lower Portion)
	323-1544	1	Wedge, Receptacle (J3)	26	320-1140	1	*Breaker, Circuit (15A)
	323-1546	1	Connector, Plug (P2)	27	526-0399-05	2	*Washer, Flat (#6)
	323-1548	1	Wedge, Plug (P2)	28	800-0309-10	2	*Screw, Hex Head Machine (#6-32 x .25")
			Resistor (R1) (10 Ohm, 10W)	29	320-1954	1	*Adapter, Threaded
	353-0053	1	12V	30	320-1953	1	*Boot, Pushbutton
	352-0197	1	24V	31	308-1027	1	*Switch, Rocker (S1)
	357-0030	3	Rectifier (CR1, CR2, CR3)	32	323-1541	1	*Plug (8 Pin)
	323-1563	8	Socket, Relay (K1, K2, K3, K5, K6, K8, K10, K11)	33	323-1543	1	*Wedge, Plug
			Connector, Receptacle (J5)	34	323-1591	2	*Plug, Seal
	323-1799	1	Grommet	35	319-3381	1	Panel, Control Without Gauges With Gauges (Kit) (See Separate Page for Components)
	508-1105	1	Connector, Strain Relief				
	323-1801	1	Relay (K4) (Part of DC Harness)				
3			12V		300-5038	1	12V
	307-2828-01	1	24V		300-5039	1	24V
	307-2828-02	1	*Regulator, Voltage (AVR)	36	821-6001-02	6	Screw, Hex Head Sems (M5 x 0.8 x 12mm)
4	305-0896	1	*Screw, Hex Head Sems (M5 x 0.8 x 12mm)	37	319-3355-03	1	Cover, Control Box
5	821-6001-02	18	*Panel, Rear Control	38	338-3692	1	Harness, Engine (Includes Parts Marked +)
6	319-3357-03	1	*Support, Voltage Regulator	39			Connector/Boot
7	319-3401-03	1	*Relay (K1, K2, K3, K5, K6, K8, K10, K11)		416-1021-03	1	Boot (24V)
8			12V SPDT		323-1791	1	+ Connector, Plug (12V) (1 Position)
	307-2767	7	24V	40	323-1792	1	+ Connector, Plug (3 Position)
	307-2819	7	*Clip, Nut	41	323-1548	AR	+ Wedge, Plug (4 Pin)
9	870-0398	4	*Bracket, Relay	42	323-1798	AR	+ Connector, Plug (16 Pin) (P5)
10	319-3399-03	1	*Washer, Lock (M4)	43	323-1546	AR	+ Plug (4 Pin)
11	850-0114-51	1	*Screw, Cross Recessed (M4 x 0.7 x 10mm)	44	323-1801	AR	+ Connector, Strain Relief
12	815-0862	2	*Nut, ET Hex (#10-32)				
13	870-0131	1	*Washer, Flat Brass (#10)				
14	526-0049	2	*Support, Voltage Regulator				
15	319-3296-03	1	*Washer, EIT Lock (#10)				
16	856-0003	1					

* - Parts Included in Control Box Assy.
+ - Parts Included in Engine Harness.
° - Shipped Loose in Plastic Bag.

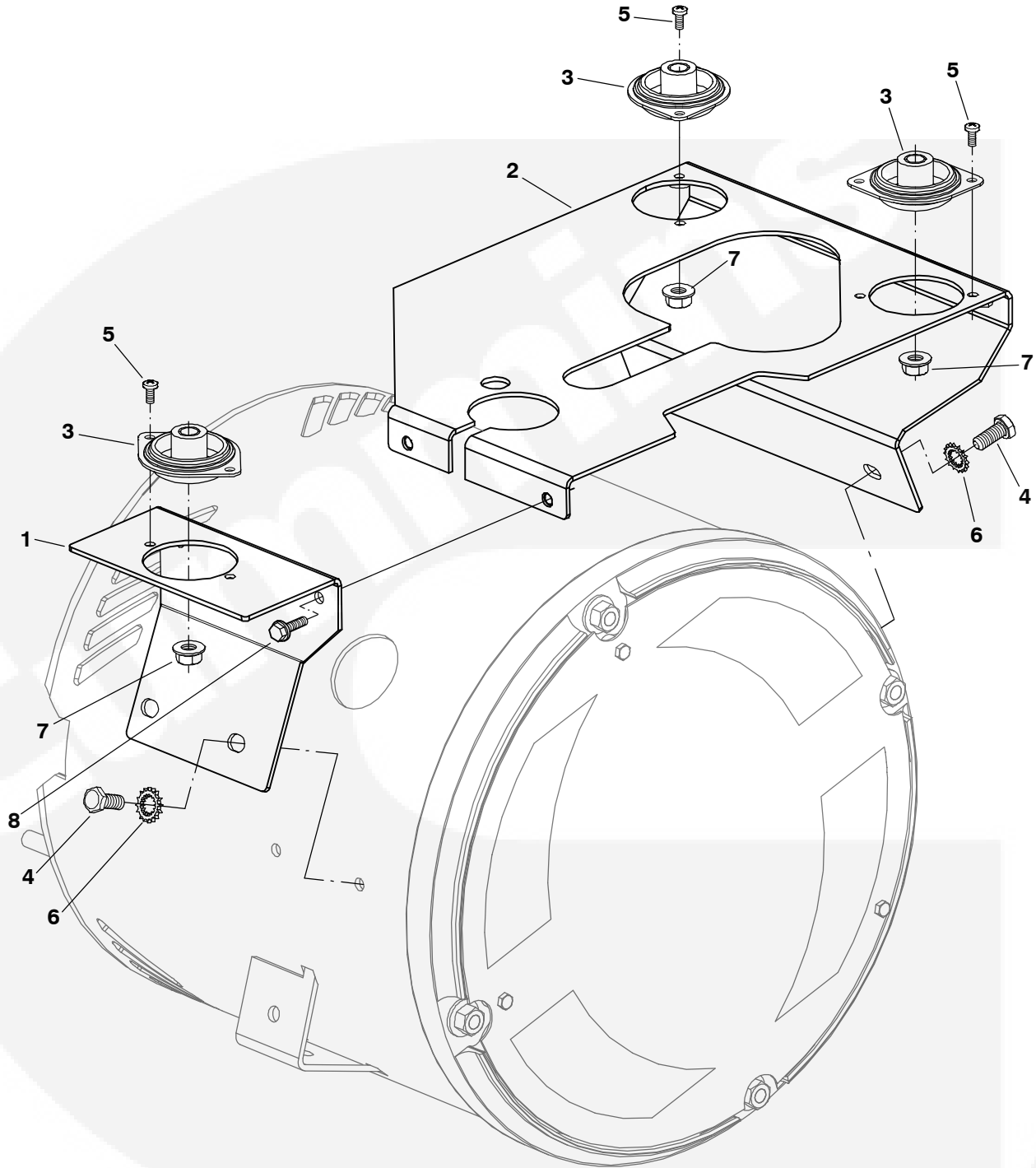


Control Panel Components



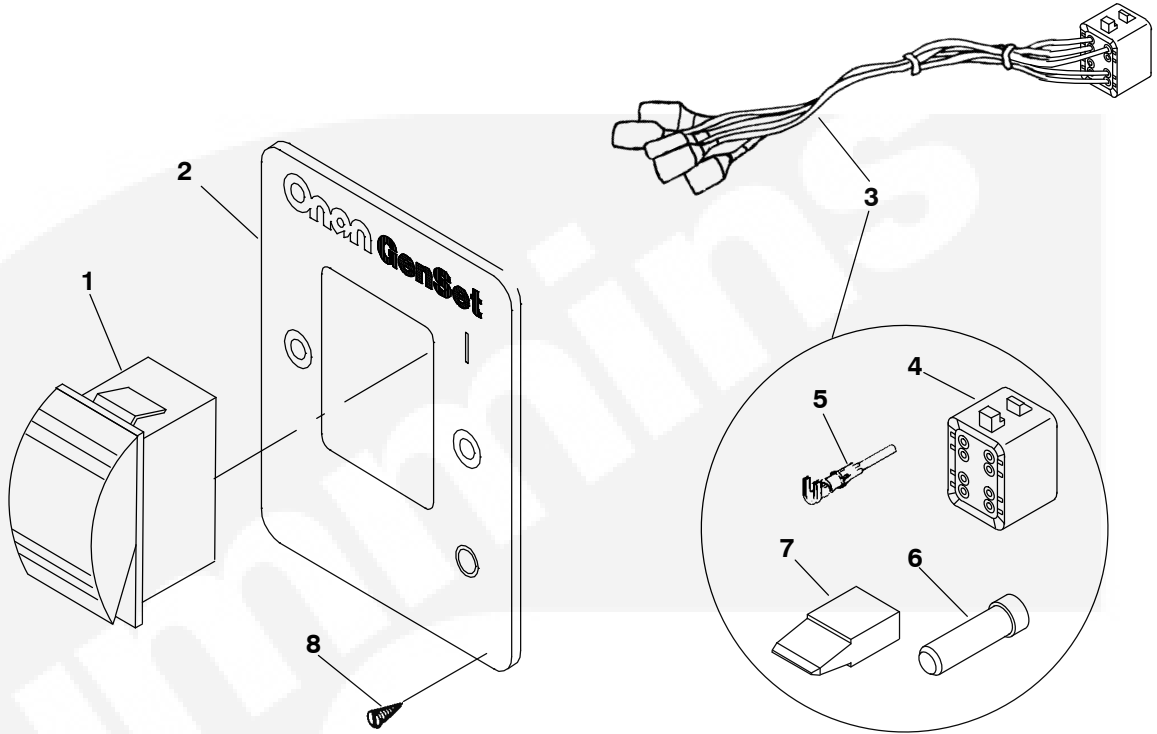
REF NO.	PART NO.	QTY USED	PART DESCRIPTION	REF NO.	PART NO.	QTY USED	PART DESCRIPTION
				9			Washer, Brass Flat (#10)
	300-5038	1	Kit, Gauge Panel	526-0049	16		12V
	300-5039	1	12V	526-0049	18		24V
1	193-0351	1	Gauge, Coolant Temperature (M3)	10			Nut, Brass Hex (#10-32)
				871-0010	16		12V
2				871-0010	18		24V
	302-1641	1	Voltmeter (M4)	11	853-0008	1	Washer, ET Lock (#10)
	302-1642	1	12V (8-18V)	12	193-0250	1	Resistor (24V)
	302-1642	1	24V (16-36V)	13			Washer, Lock (#10)
3	300-4835-01	1	Kit, Dual Gauge Switch (Includes Switch, Cap, Nut and Washers)		850-0030	8	12V
					850-0030	10	24V
4	308-1072	1	Cap, Switch	14	338-3619	1	Harness, Gauge Panel (Includes Connector, Wedge and Plug)
5	850-0038	2	Washer, Flat (1/4)				
6	821-6001-02	2	Screw, Hex Head Sems (M5 x 12)	15	323-1546	1	Connector, Plug (P4)
				16	323-1548	1	Wedge, Plug
7	193-0352	1	Gauge, Oil Pressure (M2)	17	323-1712	6	Plug, Cavity
8	526-0409	8	Washer, Nylon (.194")				

Control Mount



REF NO.	PART NO.	QTY USED	PART DESCRIPTION	REF NO.	PART NO.	QTY USED	PART DESCRIPTION
1	319-3204-05	1	Panel, Rear Saddle Spec A (White)	5	815-0862	6	Screw (M4 x 0.7 x 10mm)
	319-3204-05	1	Begin Spec B (Black)	6	856-0008	4	Washer, EIT Lock (5/16")
2	319-3211-05	1	Saddle, Control Spec A	7	870-0257	3	Nut (5/16-18)
	319-3360-05	1	Begin Spec B	8	821-6002-02	2	Screw, Hex Head Sems (M6 x 1 x 12mm)
3	402-0681	3	Isolator, Vibration				
4	815-0236	4	Screw, Hex Head Thread Cutting (5/6-18 x 5/8")				

Basic Remote Control Panel

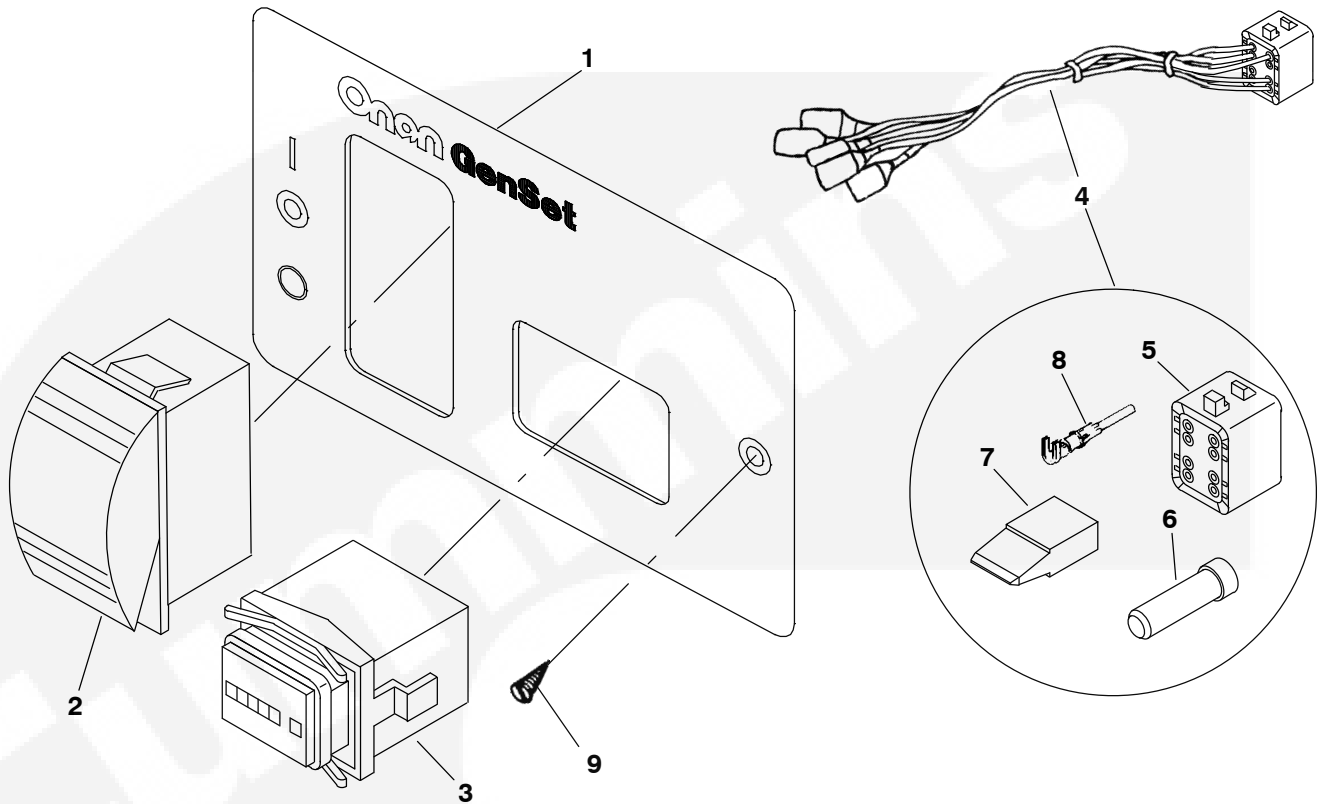


REF NO.	PART NO.	QTY USED	PART DESCRIPTION	REF NO.	PART NO.	QTY USED	PART DESCRIPTION
			Kit, Basic Panel	4	323-1541	1	*Plug (8 Pin) (J4)
	300-4990-01	1	12V	5	323-1492	5	*Pin, Contact
	300-4990-02	1	24V	6	323-1591	3	*Plug, Seal
1			Switch, Rocker (S11)	7	323-1543	1	*Wedge, Plug (8 Pin)
	308-1062	1	12V	8	815-0910	2	Screw, Wood (#6 x 1)
	308-1062-01	1	24V				
2	319-2339-02	1	Panel, Remote Includes Printing)				
3	338-3598	1	Harness, Remote Panel (Includes Parts Marked *)				

* - Parts Included in Remote Panel Harness.



Deluxe Remote Control Panel W/Hour Meter

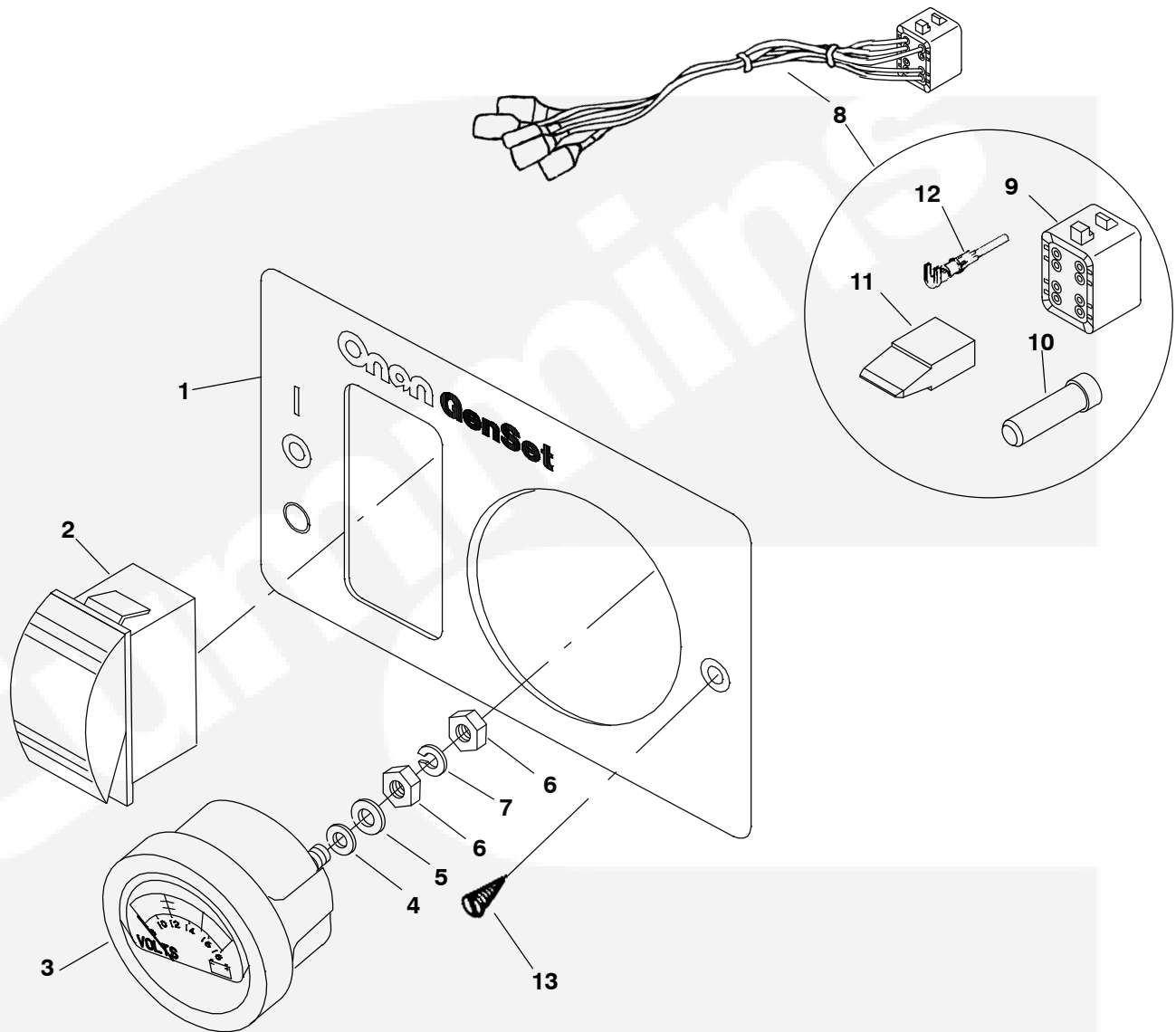


REF NO.	PART NO.	QTY USED	PART DESCRIPTION	REF NO.	PART NO.	QTY USED	PART DESCRIPTION
			Kit, Deluxe Panel	5	323-1541	1	*Plug (8 Pin) (J4)
	300-4991-01	1	12V	6	323-1591	3	*Plug, Connector
	300-4991-02	1	24V	7	323-1543	1	*Wedge, Plug (8 Pin)
1	319-2340-04	1	Panel, Remote Printed	8	323-1492	5	*Pin, Contact
2			Switch, Rocker (S11)	9	815-0910	2	Screw, Wood (#6 x 1)
	308-1062	1	12V				
	308-1062-01	1	24V				
3	302-2002	1	Meter, Hour (M11)				
4	338-3599	1	Harness, Remote Panel (Includes Parts Marked *)				

* - Parts Included in Remote Panel Wiring Harness.



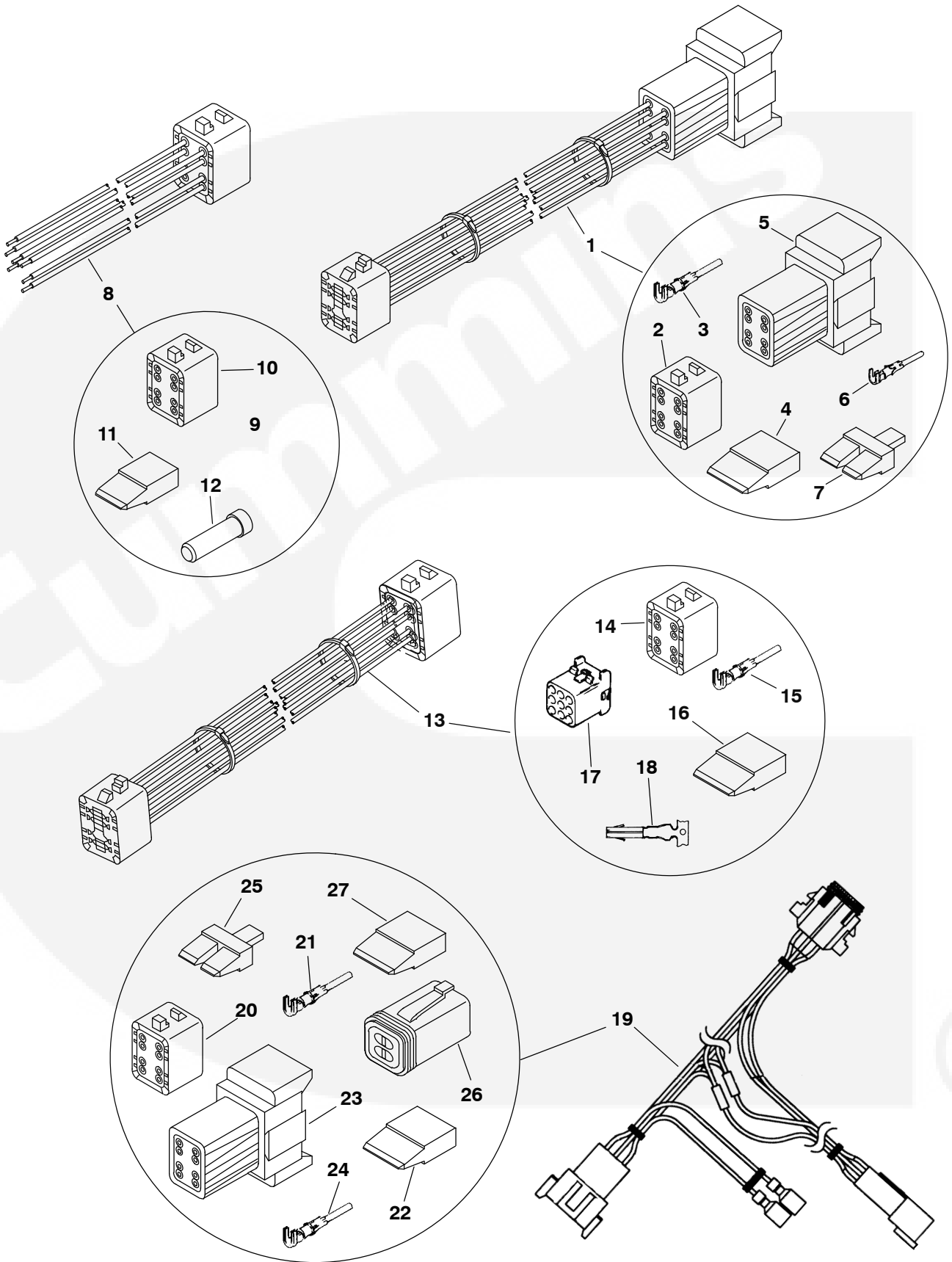
Deluxe Remote Control Panel W/Volt Meter



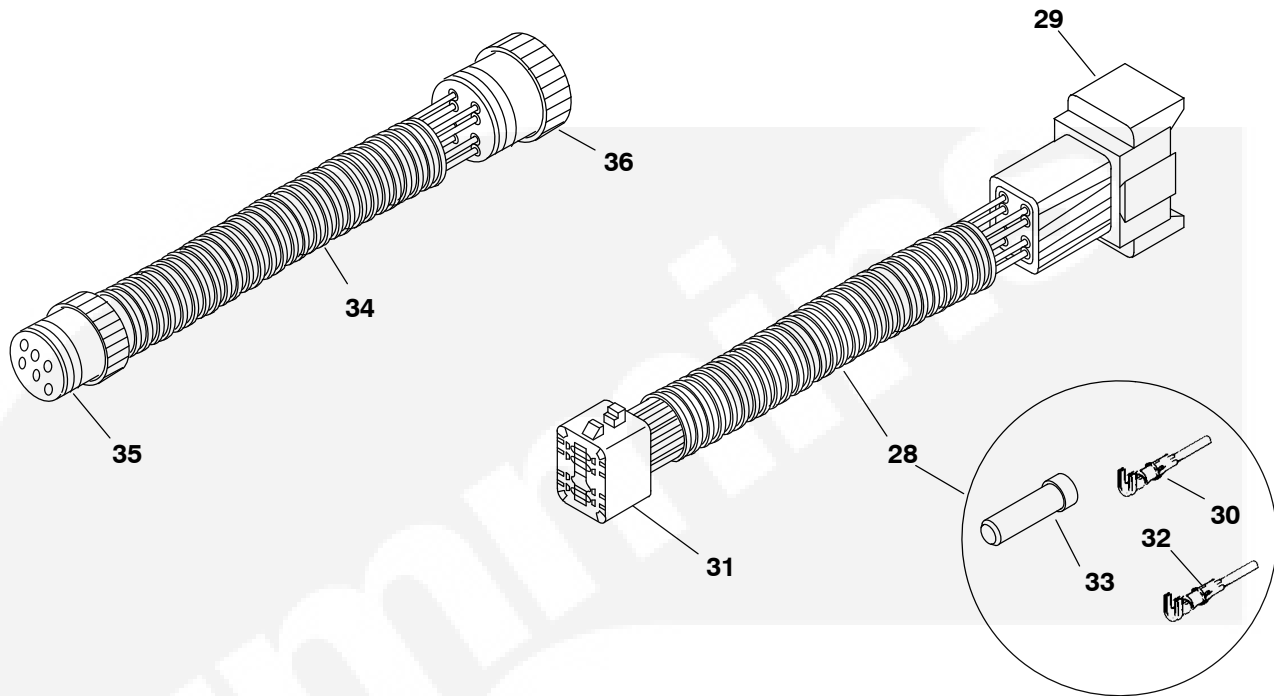
REF NO.	PART NO.	QTY USED	PART DESCRIPTION	REF NO.	PART NO.	QTY USED	PART DESCRIPTION
			Kit, Remote Panel	6	871-0010	4	Nut, Hex Brass (10-32)
	300-4989-01	1	12V	7	850-0030	2	Washer, Lock
	300-4989-02	1	24V	8	338-3597	1	Harness, Remote Panel (Includes Parts Marked *)
1	319-3132-01	1	Panel, Remote Printed	9	323-1541	1	*Plug (8 Pin) (J4)
2			Switch, Rocker (S11)	10	323-1591	3	*Plug, Connector
	308-1062	1	12V	11	323-1543	1	*Wedge, Plug (8 Pin)
	308-1062-01	1	24V	12	323-1492	5	*Pin, Contact
3			Meter, Volt (M14)	13	815-0910	2	Screw, Wood (#6 x 1)
	302-1641	1	12V (8-18V)				
	302-1642	1	24V (16-36V)				
4	526-0409	2	Washer, Nylon				
5	526-0049	4	Washer, Flat				

* - Parts Included in Remote Panel Wiring Harness.

Wiring Harnesses



Wiring Harnesses



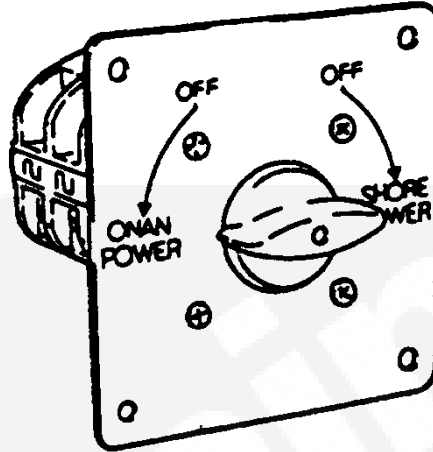
REF NO.	PART NO.	QTY USED	PART DESCRIPTION	REF NO.	PART NO.	QTY USED	PART DESCRIPTION
1			Harness, Remote Extension (Includes Parts Marked #)	18	323-1200	AR	°Socket, Contact
	338-3167	1	15 feet	19	338-3697	1	Harness, Junction
	338-3168	1	25 feet	20	323-1541	1	°Plug (9 Pin)
	338-3169-00	1	45 feet	21	323-1492	AR	°Terminal, Socket
	338-3169-01	1	75 feet	22	323-1543	1	°Wedge, Plug (8 Pin)
	338-3169-02	1	100 feet	23	323-1542	1	#Receptacle (8 Pin)
	338-3169-03	1	150 feet	24	323-1491	8	#Terminal, Pin
2	323-1541	1	#Plug (8 Pin)	25	323-1544	1	#Wedge, Receptacle (8 Pin)
3	323-1492	8	#Terminal, Socket	26	323-1549	1	Socket, Receptacle (4 Pin)
4	323-1543	1	#Wedge, Plug (8 Pin)	27	323-1547	1	Wedge, Lock Receptacle (4 Pin)
5	323-1542	1	#Receptacle (8 Pin)	28	338-3643	1	Harness, Remote Control Box AVR Extension (Includes Connectors, Terminals and Plugs)
6	323-1491	8	#Terminal, Pin	29	323-1542	1	Connector, Receptacle
7	323-1544	1	#Wedge, Receptacle (8 Pin)	30	323-1491	AR	Terminal, Pin
8	338-3098	1	Harness, Pigtail (12") (Includes Parts Marked *)	31	323-1541	1	Connector, Plug
9	323-1492	7	*Terminal, Socket	32	323-1492	AR	Terminal, Socket
10	323-1541	1	*Plug (8 Pin)	33	323-1591	3	Plug
11	323-1543	1	*Wedge, Plug (8 Pin)	34			Harness, Remote Control Box Engine Extension (Includes Connector and Plug)
12	323-1591	1	*Plug, Connector		338-3644	1	Spec A
13			Harness, Adapter (Includes Parts Marked °)		338-3730	1	Begin Spec B
	338-3695	1	Single Circuit for On/Off /Preheat	35	323-1767	1	Connector, Receptacle
	338-3696	1	Two Circuits for On/Off and Preheat	36	323-1134	1	Plug, Circular
14	323-1541	1	°Plug (9 Pin)				
15	323-1492	AR	°Terminal, Socket				
16	323-1543	1	°Wedge, Plug (8 Pin)				
17	323-1325	1	°Cap, Connector				

- Parts Included in Remote Extension Harness.

* - Parts Included in Custom Pigtail Harness

° - Parts Included in Adapter Harness.

Manual Transfer Switch



REF NO.	PART NO.	QTY USED	PART DESCRIPTION
			Switch, On Shore/Off Shore Rotary
	308-0269	1	120V (2 Wire)
	308-0270	1	120/240V (3 Wire)



Labels

REF NO.	PART NO.	QTY USED	PART DESCRIPTION	REF NO.	PART NO.	QTY USED	PART DESCRIPTION
98-7525		1	Label, Bat B+	98-6996		1	Label, No Step (Housed Sets Only)
98-7473		1	Label, Control (K-Relay)				
98-7458		1	Label, Control Panel (w/Gauges)	98-5338		1	Label, No Step
98-7523		1	Label, Control (M1, CB)	98-6388-01		1	Label, Phone Info
98-7468		1	Label, Control (M2, M3, M4)	98-1714		1	Label, Onan (Housed Sets Only)
98-7524		1	Label, Control (Fault Breaker, Emergency Stop)	98-7493		1	Label, Reconnection
98-7459		1	Label, Control Panel (w/o Gauges)	98-7521		1	Label, Schematic (DC)
98-7474		1	Label, Control Panel (Inside)	98-7513		1	Label, Service Parts (Spec B)
98-7460		1	Label, Control (Outside)	98-7471		1	Label, Service Parts (Spec A)
98-5161		1	Label, Coolant (Housed Sets Only)	98-6995		4	Label, Warning (Exposed Belts) (Housed Sets Only)
98-7159		1	Label, Coolant	98-5755		1	Label, Warning (Hazardous Voltage)
98-5347		1	Label, Danger (High Voltage)	98-5667		1	Label, Warning (Hot Pressurized Coolant)
98-7246		1	Label, Dual Gauge	98-6074-02		1	Label, Warning (Operation, Maintenance and Service...)
98-7472		1	Label, Fire Port (Housed Sets Only)	98-4798-01		1	Label, Warning (Rotating Parts) (Unhoused Sets Only)
98-2235-02		1	Label, Ground				
185-5796		1	Label, Instruction				
98-6997		1	Label, Lifting Eye (Housed Sets Only)				

Intentionally Left Blank



Numerical Index

<u>Part No.</u>	<u>Page</u>	<u>Part No.</u>	<u>Page</u>	<u>Part No.</u>	<u>Page</u>	<u>Part No.</u>	<u>Page</u>
098-1714, 85		130-3572, 50		149-1908-05, 43 , 44		185-2095, 11 , 26	
098-2235-02, 85		130-3573, 50		149-1914-01, 44		185-2096, 52	
098-4798-01, 85		130-3574, 50		149-1949, 44		185-2115, 11	
098-5161, 85		130-3721, 55		149-1952, 44		185-2124, 32	
098-5338, 85		130-4434, 47		149-1953, 44		185-2170, 15	
098-5347, 85		130-4703, 63		149-2045, 44		185-2171, 37	
098-5667, 85		130-4739-03, 47		149-2046, 44		185-2178, 15	
098-5755, 85		130-4740-03, 47		149-2047, 44		185-2179, 29	
098-6074-02, 85		130-4752-04, 63		149-2100, 41		185-2181, 37	
098-6388-01, 85		130-4753-04, 63		149-2106, 41		185-2183, 37	
098-6995, 85		130-4803-02, 47		149-2235, 41		185-2184, 29	
098-6996, 85		130-4847-03, 63		149-2312, 43		185-2185, 37	
098-6997, 85		130-4869-03, 63		149-2313, 43		185-2186, 37	
098-7159, 85		130-4870, 63		149-2331-01, 41		185-2188, 11 , 26	
098-7246, 85		130-4945-03, 63		149-2600-05, 41		185-2233, 11	
098-7458, 85		130-4985-03, 47		149-2601, 41		185-2245, 37	
098-7459, 85		130-5169, 47		149-2602, 41		185-2246, 37	
098-7460, 85		130-5170, 47		149-2609-02, 41		185-2249, 37	
098-7468, 85		130-5176, 47		149-2618-04, 41		185-2267, 37	
098-7471, 85		132-0358, 47 , 48		150-1733, 45		185-2268, 37	
098-7472, 85		132-0360, 48		150-2555, 45		185-2269, 37	
098-7473, 85		132-0361, 48		150-2668-02, 45		185-2270, 37	
098-7474, 85		132-0362, 48		150-2699-02, 45		185-2271, 37	
098-7493, 85		132-0363, 48		150-2706, 45		185-2272, 37	
098-7513, 85		132-0364, 48		154-3020, 55		185-2284, 20 , 21 , 22 , 27	
098-7521, 85		132-0365, 48		155-1002, 42 , 57		185-2291, 31	
098-7523, 85		132-0366, 48		155-2029, 42 , 57		185-2338, 11	
098-7524, 85		132-0367, 48		155-2030, 42		185-2343, 52	
098-7525, 85		132-0368, 48		155-2033, 55		185-2345, 27	
100-3442-01, 11		132-0369, 48		155-2666-01, 55		185-2347, 21	
100-3442-02, 11		132-0370, 48		155-3146, 55		185-2349, 31 , 32	
100-3443-01, 11		132-0371, 48		155-3147, 57		185-2351, 20 , 21	
100-3443-02, 11		132-0372, 48		155-3149, 57		185-2359, 20 , 21 , 32	
100-3616-01, 11		132-0373, 48		155-3199, 11		185-2367, 11	
100-3616-02, 11		132-0374, 48		155-3216, 42		185-2380, 20 , 30	
102-1485, 51		132-0375, 48		155-3217, 42		185-2384, 31	
110-3827, 29		132-0376, 48		155-3218, 42		185-2385, 27	
115-0025, 45		132-0377, 48		155-3233, 55		185-2386, 19	
120-1330-03, 51		132-0378, 48		155-3240, 55		185-2387, 13 , 23	
120-1331-03, 51		132-0379, 48		155-3261-02, 55		185-2388, 13 , 20 , 21 , 30 , 34 , 38 , 39	
122-0832, 51		132-0380, 48		185-2072, 29		185-2389, 19 , 52 , 53	
130-3570, 50		140-2898, 53		185-2076, 29		185-2390, 18	
130-3571, 50		140-3078, 53		185-2080, 29		185-2391, 18	

Numerical Index

<u>Part No.</u>	<u>Page</u>	<u>Part No.</u>	<u>Page</u>	<u>Part No.</u>	<u>Page</u>	<u>Part No.</u>	<u>Page</u>
185-2403, 11 , 34		185-5649, 25		185-5869, 32		185-6492, 32	
185-2411, 26		185-5650, 25		185-5924, 12		185-6493, 32	
185-2412, 11		185-5652, 25		185-5938, 12		185-6499, 31	
185-2413, 26		185-5653, 25		185-5941, 12		185-6500, 31	
185-2461, 20 , 21		185-5654, 25		185-5942, 12		185-6501, 31	
185-2564, 15 , 38 , 39		185-5655, 25		185-5943, 12		185-6503, 31	
185-2565, 11		185-5658, 25		185-5959, 19 , 23		185-6506, 18	
185-2572, 34 , 38 , 39		185-5659, 25		185-5960, 19 , 23		185-6507, 18	
185-2578, 24		185-5661, 25		185-5985, 27		185-6509, 18	
185-2658, 16		185-5662, 25		185-6004, 30		185-6510, 18	
185-3071, 34		185-5663, 25		185-6005, 30		185-6512, 18	
185-3078, 52		185-5673, 20		185-6039, 11		185-6513, 18	
185-3080, 32		185-5684, 22		185-6040, 11		185-6516, 13	
185-3093, 19		185-5685, 22		185-6121, 11		185-6517, 13	
185-4255, 20 , 21 , 24 , 30 , 32		185-5688, 20 , 21		185-6163, 23		185-6519, 13	
185-5337, 27		185-5690, 21		185-6354, 17		185-6520, 13	
185-5407, 31 , 32		185-5691, 21		185-6358, 17		185-6521, 13	
185-5421, 27		185-5693, 21		185-6362, 17		185-6522, 13	
185-5431, 36 , 37		185-5696, 21		185-6365, 17		185-6523, 13	
185-5445, 34 , 38 , 39		185-5710, 37		185-6386, 16		185-6524, 13	
185-5458, 30		185-5711, 37		185-6394, 31		185-6525, 13	
185-5484, 11		185-5714, 33		185-6409, 15		185-6526, 13	
185-5486, 11		185-5719, 33		185-6441, 17		185-6529, 14	
185-5487, 11		185-5741, 32		185-6442, 17		185-6530, 14	
185-5490, 11		185-5742, 32		185-6445, 30		185-6531, 14	
185-5495, 51		185-5743, 32		185-6468, 11		185-6532, 14	
185-5502, 11		185-5745, 33		185-6469, 11		185-6533, 14	
185-5558, 13		185-5770, 35		185-6471, 11		185-6534, 14	
185-5560, 13		185-5771, 35 , 40		185-6472, 11		185-6535, 14	
185-5612, 27		185-5772, 35		185-6475, 26		185-6536, 14	
185-5615, 27		185-5777, 35 , 40		185-6476, 26		185-6537, 14	
185-5623, 24		185-5782, 35 , 40		185-6477, 26		185-6538, 14	
185-5624, 24		185-5783, 35 , 40		185-6479, 26		185-6540, 12	
185-5625, 24		185-5784, 35 , 40		185-6480, 32		185-6541, 12	
185-5639, 25		185-5791, 35		185-6481, 32		185-6542, 12	
185-5640, 25		185-5796, 85		185-6482, 32		185-6543, 12	
185-5641, 25		185-5798, 24		185-6483, 32		185-6544, 12	
185-5643, 25		185-5820, 25		185-6484, 32		185-6545, 12	
185-5644, 25		185-5826, 30		185-6485, 32		185-6546, 12	
185-5645, 25		185-5833, 32		185-6486, 32		185-6547, 12	
185-5646, 25		185-5835, 32		185-6487, 32		185-6548, 12	
185-5647, 25		185-5843, 11		185-6490, 32		185-6549, 12	
		185-5845, 11		185-6491, 32		185-6550, 12	

Numerical Index

<u>Part No.</u>	<u>Page</u>	<u>Part No.</u>	<u>Page</u>	<u>Part No.</u>	<u>Page</u>	<u>Part No.</u>	<u>Page</u>
185-6551, 12		185-6610, 20 , 21		185-6745, 14		185-6891, 23	
185-6552, 12		185-6611, 20 , 21		185-6746, 14		185-6893, 20	
185-6553, 12		185-6612, 20		185-6749, 24		185-6894, 20 , 21	
185-6554, 12		185-6613, 20		185-6750, 27		185-6899, 27	
185-6555, 12		185-6614, 21		185-6751, 27		185-6900, 28	
185-6556, 12		185-6615, 20 , 21		185-6759, 21 , 24 , 32		185-6901, 28	
185-6558, 19		185-6621, 27		185-6762, 52		185-6902, 28	
185-6560, 19		185-6628, 34 , 36		185-6781, 30		185-6903, 28	
185-6561, 19		185-6629, 34		185-6785, 38 , 39		185-6904, 28	
185-6562, 19		185-6630, 34 , 39		185-6786, 34 , 38 , 39		185-6905, 28	
185-6565, 19		185-6631, 34 , 38 , 39		185-6816, 40		185-6906, 28	
185-6566, 19		185-6633, 34 , 38 , 39		185-6820, 40		185-6907, 28	
185-6567, 19		185-6638, 35		185-6845, 24		185-6908, 28	
185-6568, 19		185-6663, 30		185-6853, 55		185-6909, 28	
185-6569, 19		185-6665, 30 , 32		185-6855, 11		185-6910, 28	
185-6570, 19		185-6666, 30		185-6856, 11		185-6911, 28	
185-6571, 19		185-6667, 30		185-6857, 11		185-6912, 28	
185-6572, 19		185-6670, 30		185-6861, 26		185-6913, 28	
185-6573, 19		185-6671, 33		185-6862, 26		185-6914, 28	
185-6574, 22		185-6672, 33		185-6863, 32		185-6915, 28	
185-6575, 22		185-6673, 33		185-6864, 32		185-6916, 28	
185-6577, 22		185-6674, 33		185-6866, 11		185-6917, 28	
185-6578, 11		185-6676, 33		185-6867, 31		185-6918, 28	
185-6579, 11 , 47		185-6677, 30 , 33 , 53		185-6868, 31		185-6920, 34 , 35	
185-6580, 24		185-6681, 29		185-6869, 18		185-6922, 30	
185-6584, 24		185-6682, 29		185-6871, 18		185-6923, 29	
185-6585, 24		185-6683, 29		185-6872, 18		185-6925, 55	
185-6586, 24		185-6684, 29		185-6873, 13		185-6926, 53	
185-6588, 25		185-6686, 29		185-6874, 12		185-6927, 53	
185-6594, 23		185-6687, 29		185-6875, 19		185-6930, 22	
185-6595, 23		185-6688, 29		185-6876, 19		185-6931, 22	
185-6596, 23		185-6689, 29		185-6877, 19		185-6932, 22	
185-6598, 23		185-6690, 29		185-6878, 19		185-6933, 34 , 38 , 39	
185-6599, 23		185-6691, 29		185-6879, 19		185-6934, 34 , 38 , 39	
185-6600, 23		185-6692, 29		185-6880, 19		185-7004, 27	
185-6601, 23		185-6693, 29		185-6881, 22		185-7069, 32 , 53	
185-6602, 23		185-6694, 29		185-6882, 24 , 25		185-7082, 27	
185-6603, 23		185-6695, 29		185-6884, 25		185-7101, 23	
185-6604, 23		185-6699, 55		185-6885, 25		185-7104, 15 , 16	
185-6605, 23		185-6707, 25		185-6886, 25		185-7105, 15 , 17	
185-6607, 20		185-6721, 31		185-6887, 25		185-7106, 27	
185-6608, 20		185-6739, 24		185-6888, 25		185-7107, 27	
185-6609, 20		185-6740, 27 , 28		185-6889, 11		185-7108, 30	

Numerical Index

<u>Part No.</u>	<u>Page</u>	<u>Part No.</u>	<u>Page</u>	<u>Part No.</u>	<u>Page</u>	<u>Part No.</u>	<u>Page</u>
185-7110,	55	185-7296,	17	232-2826,	69	309-0295,	55
185-7212,	11	185-7297,	30	234-0989,	69	309-0576,	30
185-7213,	52	185-7298,	30	300-4835-01,	76	309-0601,	30
185-7214,	52	185-7299,	33	300-4981-01,	73	309-0641-03,	51
185-7215,	52	185-7300,	29	300-4983-01,	73	309-0641-05,	51
185-7216,	32	185-7306,	18	300-4989-01,	80	319-2339-02,	78
185-7217,	15	185-7308,	14	300-4989-02,	80	319-2340-04,	79
185-7218,	15	185-7309,	14	300-4990-01,	78	319-3132-01,	80
185-7219,	15	185-7310,	14	300-4990-02,	78	319-3198-03,	73
185-7221,	15	185-7311,	14	300-4991-01,	79	319-3199-03,	71
185-7222,	15	185-7372,	11	300-4991-02,	79	319-3201-03,	71
185-7224,	20	185-7373,	26	300-5018-01,	81	319-3202-03,	73
185-7225,	39 , 40	185-7374,	26	300-5018-02,	81	319-3203-03,	71
185-7226,	39	185-7375,	26	300-5038,	75 , 76	319-3204-05,	77
185-7227,	39	185-7376,	12	300-5039,	75 , 76	319-3211-05,	77
185-7228,	40	185-7377,	23	300-5040,	30	319-3212-02,	73
185-7229,	40	185-7378,	23	300-5041,	30	319-3213-04,	73
185-7230,	16	185-7379,	21	300-5122,	61	319-3219-02,	73
185-7231,	16	185-7380,	21	300-5141-01,	75	319-3227-03,	71
185-7232,	16	185-7381,	21	300-5141-02,	75	319-3254-02,	81
185-7233,	16	191-2095,	61	300-5170,	61	319-3296-03,	75
185-7234,	16	191-2252,	17	300-5197,	55	319-3355-03,	75
185-7235,	16	191-2262-03,	61	302-1641,	76 , 80 , 81	319-3356-03,	75
185-7236,	16	191-2266-02,	36	302-1642,	76 , 80 , 81	319-3357-03,	75
185-7237,	17	191-2273-03,	61	302-2002,	73 , 75 , 79 , 81	319-3359-03,	71
185-7238,	17	191-2275-02,	15	304-0796,	45	319-3360-05,	77
185-7239,	17	193-0244,	51	304-0831-03,	45	319-3381,	75
185-7240,	17	193-0250,	76 , 81	305-0896,	73 , 75	319-3399-03,	75
185-7242,	30	193-0318,	30	306-4081,	45	319-3401-03,	75
185-7254,	23	193-0351,	76 , 81	307-1617,	61	319-3430-02,	75
185-7255,	23	193-0352,	76 , 81	307-2546,	45	320-1140,	73 , 75
185-7256,	21	193-0430-01,	51	307-2546-01,	45	320-1689-04,	71
185-7257,	21	193-0457-01,	30	307-2767,	73 , 75	320-1689-05,	71
185-7259,	21	193-0468,	55	307-2819,	75	320-1689-06,	71
185-7260,	21	201-3515-02,	69	307-2828-01,	73 , 75	320-1690-04,	71
185-7261,	21	201-3565-01,	69	307-2828-02,	75	320-1690-15,	71
185-7262,	21	205-0255,	69	308-0269,	84	320-1769-01,	75
185-7263,	21	211-0435-01,	69	308-0270,	84	320-1813-02,	71
185-7264,	21	220-4413-02,	69	308-1027,	73 , 75	320-1836-02,	71
185-7269,	38	220-4541-01,	69	308-1062,	78 , 79 , 80 , 81	320-1836-03,	71
185-7270,	38	220-4541-05,	69	308-1062-01,	78 , 79 , 80 , 81	320-1836-04,	71
185-7271,	38	220-4560-01,	69	308-1072,	76	320-1862-01,	73 , 75
185-7272,	38	220-4560-05,	69			320-1863,	73 , 75

Numerical Index

<u>Part No.</u>	<u>Page</u>	<u>Part No.</u>	<u>Page</u>	<u>Part No.</u>	<u>Page</u>	<u>Part No.</u>	<u>Page</u>
320-1891-05,	71	338-3098,	83	405-5974-02,	64 , 66	502-0054,	43
320-1891-09,	71	338-3167,	83	405-5977,	64 , 67	502-0055,	41
320-1928-01,	73	338-3168,	83	405-5980-02,	64	502-0057,	51
320-1953,	73 , 75	338-3169-00,	83	405-6040,	64 , 68	502-0065,	41 , 51
320-1954,	73 , 75	338-3169-01,	83	405-6042-03,	64	502-0153,	43 , 44 , 55
321-0307-06,	61	338-3169-02,	83	405-6043-03,	67	502-0161,	49
321-0325,	61	338-3169-03,	83	405-6048,	64 , 68	502-0263,	51
323-1134,	73 , 83	338-3597,	80	405-6054,	65	502-0820,	55
323-1200,	83	338-3598,	78	405-6055,	66	502-0915,	49
323-1325,	83	338-3599,	79	405-6056,	66	502-1123,	51
323-1491,	83	338-3605-01,	73	405-6057,	65	502-1244,	51
323-1492,	56 , 78 , 79 , 80 , 81 , 83	338-3606,	73	405-6058,	66	502-1245,	41
323-1541,	73 , 75 , 78 , 79 , 80 , 81 , 83	338-3619,	76	405-6059,	67	502-1309,	51
323-1542,	73 , 75 , 83	338-3625,	81	405-6060,	67	503-0976,	31
323-1543,	73 , 75 , 78 , 79 , 80 , 81 , 83	338-3643,	83	405-6063,	64 , 68	503-0977,	49
323-1544,	73 , 75 , 83	338-3644,	83	405-6078,	64 , 67	503-1136,	47
323-1546,	56 , 73 , 75 , 76	338-3644,	83	405-6081,	64	503-1137,	47 , 55
323-1547,	73 , 75 , 83	338-3675,	61	405-6082-01,	64	503-1138,	53
323-1548,	56 , 73 , 75 , 76	338-3691-01,	75	405-6083,	67	503-1139,	42
323-1549,	73 , 75 , 83	338-3691-02,	75	405-6084,	67	503-1141,	53
323-1563,	73 , 75	338-3692,	75	405-6084,	67	503-1142,	42 , 55 , 57
323-1573,	61	338-3695,	83	405-6085,	64	503-1320,	55
323-1591,	56 , 73 , 75 , 78 , 79 , 80 , 81 , 83	338-3696,	83	405-6086,	64	503-1353,	55
323-1708,	56	338-3697,	83	405-6095-03,	68	503-1527,	55
323-1709,	56	338-3711,	55 , 56	405-6096-03,	64 , 68	503-1692,	50
323-1712,	76	338-3730,	83	405-6100,	64	503-1950,	53
323-1765,	56 , 73	350-1238,	45	405-6101,	64	503-1963-04,	55
323-1767,	73 , 83	352-0194,	73	405-6102,	64	503-1963-05,	55
323-1791,	75	352-0195,	73	405-6104,	65	503-2046,	55
323-1792,	75	352-0197,	75	405-6220-02,	64	503-2047,	47
323-1798,	75	353-0053,	73 , 75	405-6297,	64	503-2049,	47
323-1799,	75	357-0030,	73 , 75	406-0528-01,	65	503-2050,	47
323-1801,	75	402-0681,	77	406-0528-02,	66	503-2070,	31
332-2370,	71	402-0728-02,	62	416-1021-03,	73 , 75	503-2072-01,	53
332-3279,	61	403-4126-04,	26	501-0578,	43	503-2086,	47
332-3556-04,	73	403-4127-02,	62	501-0624,	51	503-2096,	47
337-2785,	58	403-4168-03,	62	501-0672-01,	41	504-0062,	49
337-2795,	71	403-4168-04,	62	501-0672-02,	41	505-1489,	41
337-3031,	61	403-4284-04,	26	502-0003,	41	505-1490,	41
337-3034-02,	61	405-1872,	65 , 67	502-0020-01,	41	508-0016,	61
		405-3111,	68	502-0028,	41 , 51	508-0017,	61
		405-4714,	66	502-0029,	41	508-0021,	65 , 66
		405-5967-02,	64 , 65	502-0029-06,	55	508-0115,	65
		405-5971-02,	64 , 65	502-0041,	41		

Numerical Index

<u>Part No.</u>	<u>Page</u>	<u>Part No.</u>	<u>Page</u>	<u>Part No.</u>	<u>Page</u>	<u>Part No.</u>	<u>Page</u>
508-0116,	73	526-0399-05,	73 , 75	810-0155,	71	850-0114-55,	36 , 41
508-0183,	69	526-0399-11,	69	811-0105,	61	850-2006,	34
508-0210,	47 , 65 , 66 , 67 , 68	526-0399-41,	69	813-0100,	45	850-2008,	43
508-0278,	71	526-0399-42,	69	813-0112,	45	853-0008,	76 , 81
508-0328,	61	526-0399-58,	61	815-0181,	64 , 69	853-0013,	69
508-0334,	61	526-0399-60,	26 , 36 , 51 , 53 , 61	815-0194,	15	853-0016,	61 , 71
508-1011,	65 , 67	526-0399-61,	36	815-0203,	73 , 75	853-0040-55,	51
508-1095,	64 , 75	526-0399-62,	62	815-0236,	51 , 77	853-2010,	58 , 61
508-1102,	49	526-0409,	76 , 80 , 81	815-0550-01,	71	856-0003,	45 , 73 , 75
508-1105,	73 , 75	526-2100,	43	815-0765,	64	856-0006,	58 , 71
508-1125,	68	541-0876-01,	49	815-0862,	55 , 73 , 75 , 77	856-0008,	77
508-1126,	68	718-1038,	43	815-0910,	78 , 79 , 80	856-0012,	43
509-0094,	69	718-1055,	43	815-0916,	55	860-0007,	66
509-0351,	47	750-1004,	34	815-0917-04,	69	862-0026-07,	62 , 69
510-0112,	69	850-0114-53,	47 , 61 , 63 , 68	815-0918,	66	862-0026-30,	61
510-0163,	19	800-0309-10,	73 , 75	815-0920,	61	862-0026-52,	73
517-0131,	68	800-0317,	47	815-0935,	69	862-0026-54,	41 , 47 , 58 , 61 , 68
517-0136,	68	800-0573,	62	818-0150,	65 , 67	862-0026-55,	36 , 41 , 47
517-0138,	68	800-2054,	69	818-0194,	65 , 66	862-0026-56,	36
517-0138-07,	68	800-3017-02,	63 , 68	821-0008,	71	862-0026-56,	36
518-0515,	41	800-3017-04,	58	821-6001-02,	68 , 71 , 73 , 75 , 76	870-0110,	67
518-0548-05,	47	800-3017-17,	51 , 53 , 71	821-6002-02,	41 , 45 , 47 , 53 , 63 , 64 , 77	870-0131,	45 , 73 , 75
520-1002-06,	69	800-3017-18,	26 , 71	821-6003-01,	53 , 62	870-0131-01,	61 , 69
526-0003,	65 , 67	800-3017-19,	26 , 41 , 47	850-0030,	76 , 80 , 81	870-0257,	77
526-0030,	62	800-3017-21,	55	850-0038,	76	870-0398,	73 , 75
526-0049,	61 , 73 , 75 , 76 , 80 , 81	800-3017-22,	36 , 47	850-0114-07,	62	870-0400,	68
526-0052,	71	800-3017-46,	36	850-0114-51,	73 , 75	871-0010,	61 , 73 , 75 , 76 , 80 , 81
526-0174,	20	800-3030,	41 , 58 , 61 , 62	850-0114-54,	36 , 41 , 47 , 55	871-0016,	71
526-0325,	62	808-0023,	81			871-0025,	61



Cummins **Onan**

Cummins Power Generation

1400 73rd Ave. NE
Minneapolis, MN 55432 USA

Phone 1 763 574 5000

Toll-free 1 800 888 6626

Fax 1 763 574 5298

Email www.cumminsonan.com/contact

www.cumminsonan.com

Cummins®, Onan®, the "C" logo, and "Performance you rely on." are trademarks of Cummins Inc.

©2012 Cummins Power Generation, Inc. All rights reserved.

