



Parts Manual

Cummins **Onan**

Performance you rely on.™



Marine Generator Set

MDKAD (Spec A-C)

MDKAE (Spec A-C)

MODEL IDENTIFICATION

To avoid errors or delay in filling your parts order, always give the MODEL, SPEC NO. and SERIAL NO. from the Onan nameplate.

For handy reference, insert your nameplate information in the spaces below.

MODEL AND SPEC NO.

SERIAL NO.

DIGITAL CONTROL SOFTWARE VERSION
AND DATE (IF APPLICABLE)

SAFETY PRECAUTIONS

The following symbols are used in Onan manuals to alert users to the potentially dangerous conditions relating to maintenance of equipment and replacement of parts. Please read and observe.



This symbol warns of immediate hazards which will result in severe personal injury or death.



This symbol refers to a hazard or unsafe practice which can result in severe personal injury or death.



This symbol refers to a hazard or unsafe practice which can result in severe personal injury or product or property damage.

PRODUCT SAFETY PRECAUTIONS



Service and repair of Onan equipment must be performed by trained, experienced personnel only. Improper service or repair may result in property damage, severe personal injury or death. Do not use this catalog as a guide to servicing your equipment. Read and follow the IMPORTANT SAFETY INSTRUCTIONS in the Service Manual appropriate for the equipment you are working on.



Contact with USED ENGINE OILS has been identified by a United States federal agency and some USA state agencies as causing CANCER or REPRODUCTIVE TOXICITY. When checking or changing engine oils take all necessary precautions not to ingest, breathe the fumes or contact the used oil.



Contact with ASBESTOS has been identified by a United States federal agency and some USA state agencies as causing CANCER or REPRODUCTIVE TOXICITY. When handling engine gaskets take all necessary precautions not to ingest, breathe or contact the dust from the gaskets! Use adequate ventilation and wear protective gloves, masks and clothing!



Contact with BENZINE and LEAD, found in gasoline, fuel additives and solvents has been identified by a United States federal agency and some USA state agencies as causing CANCER or REPRODUCTIVE TOXICITY. When checking, draining or adding gasoline and fuel additives or using solvents take all necessary precautions not to ingest, breathe the fumes or contact the liquids. Use adequate ventilation and wear protective gloves, masks and protective clothing!

Introduction

This catalog applies to the standard marine generator sets listed below. Parts are arranged in groups of related items and each illustrated part is identified by a reference number corresponding to the same reference number in the parts list. Parts illustrations are typical. Unless otherwise mentioned in the description or page heading, parts are interchangeable between models. Throughout this catalog left and right sides are determined by facing the engine end (front) of the set.

<u>MODEL</u>	<u>HERTZ</u>
MDKAD/*	50/60
MDKAE/*	50/60

* – The diagonal line (/) in the model and specification number separates generator set characteristics from the specification number and letter. The specification number denotes customer requested options or deviations from the standard model. The specification letter advances (A to B, B to C, etc.) with major manufacturing changes.

WIRING DIAGRAM

612-6667	DC 24V
612-6665	DC 12V
612-6666	AC 1 Phase
612-6673	AC 3 Phase



Index

Adapter, Dry Exhaust, **56**
Adapter, Engine, **13**
Adapter, Fuel Line Pipe, **35**
Adapter, Fuel Return Pipe, **36**
Adapter, Keel Cooling (Wet Exhaust), **44**
Adapter, Keel Cooling (Wet Exhaust), **44**
Adapter, Oil Drain, **51**
Adapter, PTO, **52**
Adapter, Vacuum Relief Pipe, **39**
Alternator (Isolated Ground), **33**
Alternator (Negative Ground), **30**
Arm Assy, Rocker, **24**
Armature, Starter (12V), **14**
Armature, Starter (24V), **15**

Baffle Assy, Generator, **63**
Baffle, Air, **69**
Ball, Crankshaft, **10**
Ball, Valve Seat, **28**
Bar, Bus, **49**
Barb, Keel Cooling Hose (Dry Exhaust), **46**
Barb, Keel Cooling Hose (Wet Exhaust), **44**
Base, Housing, **63**
Base, Mounting, **59**
Bearing, Alternator (12V), **31**
Bearing, Alternator (24V), **32**
Bearing, Connecting Rod, **12**
Bearing, Coolant Water Pump, **29**
Bearing, Crankshaft, **10**
Bearing, Crankshaft Main, **10**
Bearing, Crankshaft Thrust, **10**
Bearing, Fuel Camshaft, **17**
Bearing, Generator, **69**
Bearing, Governor, **19**
Bearing, Governor Weight, **17**
Bearing, Starter (12V), **14**
Bearing, Starter (24V), **15**
Belt, Alternator (Isolated Ground), **33**
Belt, Alternator (Negative Ground), **30**
Block, Cylinder, **9**
Block, Terminal, **75**
Box, Control, **71**
Bracket, Alternator (Isolated Ground), **33**
Bracket, Alternator (Negative Ground), **30**
Bracket, Belt Guard, **61**
Bracket, Control Mounting, **76**
Bracket, Fuel Pump, **35**
Bracket, Heat Exchanger, **42**
Bracket, Lifting, **9**
Bracket, PTO, **52**
Bracket, Remote Separator Mounting, **37**
Bracket, Resistor, **35**
Bracket, Rocker Arm, **24**
Bracket, Solenoid Relay, **53**
Bracket, Starter (12V), **14**
Bracket, Starter (24V), **15**
Bracket, Stop Solenoid, **34**
Breaker Assy (with Gauges), **73**
Breaker, Circuit (2A), **73**
Breaker, Circuit (CB1, CB4) (with Gauges), **73**
Breaker, Circuit (CB2), **71**
Breaker, Circuit (CB3), **71**
Breather, **27**
Brush, Alternator (12V), **31**
Brush, Alternator (24V), **32**
Bushing, Camshaft Idle Gear, **11**
Bushing, Connecting Rod, **12**
Bushing, Control Box Strain Relief, **71**
Bushing, Governor, **17**

Cam, Water Pump, **45**
Camshaft, **11**
Camshaft, Fuel, **17**
Cap, Coolant Recovery Tank, **48**
Cap, Coolant Tank, **47**
Cap, Cylinder Block Sealing, **9**
Cap, Cylinder Head Sealing, **23**
Cap, Dual Gauge Switch, **88**
Cap, Oil Drain Line, **51**
Cap, Speed Control, **18**
Cap, Stop Lever Adjusting Bolt, **20**
Cap, Valve, **24**
Catch, Spring, **63**
Clamp, Cord, **18**
Clamp, Injection Pipe, **25**
Clip, Front Panel Door, **64**
Clip, Front Panel Door (with PTO), **65**
Clip, Generator Housing Door, **67**
Clip, Sound Shield Door, **63**
Clutch, PTO, **52**
Cock, Cylinder Block Drain, **9**
Cock, Injection Pump Jet Start, **21**
Collar, Alternator (12V), **31**
Collar, Alternator (24V), **32**
Collar, Camshaft Idle Gear, **11**
Collar, Crankshaft, **10**
Collar, Fuel Camshaft, **17**
Collar, Speed Control, **18**
Collet, Valve Spring, **24**
Components, 12V Starter, **14**
Components, Alternator (12V), **31**
Components, Alternator (24V), **32**
Components, Alternator (24V) (Negative Ground), **32**
Components, Generator Housing, **67**
Components, Injection Pump, **22**
Components, Remote Control Harness, **78**
Components, Starter (12V), **14**
Components, Starter (24V), **15**
Components, Water Pump, **45**
Components, Water Separator, **38**
Connector, Oil Line Inverted Male, **36**
Connector, Reducer, **42**
Cooling, Keel (Dry Exhaust), **46**
Cooling, Keel (Wet Exhaust), **44**

Index

Cord, Glow Plug, **25**
Coupling, Dry Exhaust Reducer, **56**
Coupling, Fuel Return Anchor, **36**
Coupling, PTO, **52**
Cover Assy, Starter (12V), **14**
Cover Assy, Starter (24V), **15**
Cover, Alternator Bearing (12V), **31**
Cover, Alternator Bearing (24V), **32**
Cover, Alternator End (12V), **31**
Cover, Alternator End (24V), **32**
Cover, Bearing Housing, **16**
Cover, Breaker, **71**
Cover, Circuit Breaker Plate, **71**
Cover, Control Box, **71**
Cover, Cylinder Head, **27**
Cover, Fuel Camshaft, **9**
Cover, Generator Inlet, **69**
Cover, Heat Exchanger, **42**
Cover, Hole, **9**
Cover, Injection Pump, **20**
Cover, Sound Shield Access, **63**
Cover, Thermostat, **26**
Cover, Water Pump, **45**
Crankshaft, **10**

Diode, Remote Panel, **81**
Diode, Rotor, **69**
Disc, Generator Drive, **69**
Door Assy, Housing, **63**
Drain Assy, Water Separator, **38**
Drive Assy, Starter (12V), **14**
Drive Assy, Starter (24V), **15**

Edging, Generator Housing, **67**
Edging, Housing Front Panel, **64**
Edging, Housing Front Panel (with PTO), **65**
Edging, Sound Shield, **63**
Elbow, Fuel Pump, **35**
Elbow, Fuel Return, **36**
Elbow, Keel Cooling (Dry Exhaust), **46**
Elbow, Keel Cooling (Wet Exhaust), **44**
Elbow, Oil Drain, **51**
Elbow, Street, **37**
Elbow, Vacuum Relief Valve, **39**
Elbow, Wet Exhaust, **55**
Element, Breather, **27**
Element, Fuel Filter, **35**
Element, Water Separator, **38**
Endbell, **69**
Engine, Replacement, **9**
Exchanger, Heat, **42**
Exhaust, Dry, **56**
Exhaust, Wet, **55**

Fan, Generator, **69**
Filter, Fuel, **35**
Filter, Oil, **28**

Flange, Coolant Water Pump, **29**
Flange, Dry Exhaust, **56**
Flange, Oil Fill, **28**
Flange, Water Outlet, **26**
Flange, Water Return, **28**
Flywheel Assy, **13**
Frame, Alternator Drive End (24V), **32**
Frame, Alternator End (12V), **31**
Frame, Alternator End (24V), **32**

Gasket, Bearing Housing, **16**
Gasket, Bearing Housing Cover, **16**
Gasket, Breather, **27**
Gasket, Coolant Water Pump, **29**
Gasket, Cylinder Block Plug, **9**
Gasket, Cylinder Head, **23**
Gasket, Cylinder Head Cover, **27**
Gasket, Cylinder Head Cap Nut, **27**
Gasket, Delivery Valve, **22**
Gasket, Dry Exhaust, **56**
Gasket, Dry Exhaust Adapter, **56**
Gasket, Exhaust Manifold, **54**
Gasket, Fuel Camshaft Cover, **9**
Gasket, Fuel Nozzle, **25**
Gasket, Gearcase, **28**
Gasket, Heat Exchanger Cover, **42**
Gasket, Hole Cover, **9**
Gasket, Injection Pump Cover, **20**
Gasket, Injection Pump Eye Joint, **21**
Gasket, Injection Pump Hollow Screw, **22**
Gasket, Intake Manifold, **53**
Gasket, Mixer, **55**
Gasket, Oil Fill Flange, **28**
Gasket, Oil Pan, **51**
Gasket, Oil Pan Plug, **51**
Gasket, Oil Pump, **9**
Gasket, Raw Water Pump, **42**
Gasket, Riser/Adapter, **54**
Gasket, Speed Control Cap, **18**
Gasket, Stop Lever Adjusting Bolt, **20**
Gasket, Thermostat Cover, **26**
Gasket, Water Outlet Flange, **26**
Gasket, Water Pump (Wet Exhaust), **44**
Gasket, Water Return Flange, **28**
Gauge, Coolant Temperature, **73**
Gauge, Oil Pressure, **73**
Gauge, Remote Controls Water Temperature, **86**
Gauge, Remote Gauge Controls Oil Pressure, **86**
Gauge, Remote Panel Oil Pressure, **82**
Gauge, Remote Panel Water Temperature, **82**
Gear Assy, Camshaft Idle, **11**
Gear, Camshaft, **11**
Gear, Crankshaft, **10**
Gear, Injection Pump, **17**
Gear, Oil Pump Drive, **9**
Gear, Ring, **13**
Gear, Starter (12V), **14**

Index

Gear, Starter (24V), **15**
Gearcase Assy, **28**
Generator, **69**
Governor, **19**
Grommet, Baffle Assy, **63**
Grommet, Control Box, **71**
Grommet, Front Panel, **64**
Grommet, Front Panel (with PTO), **65**
Grommet, Generator, **69**
Grommet, Generator Housing, **67**
Grommet, Housing Front Panel, **64**
Grommet, Housing Front Panel (with PTO), **65**
Grommet, Rubber, **40**
Grommet, Vacuum Relief Valve, **39**
Ground System, Unique Parts Isolated, **89**
Guard, Belt, **61**
Guard, PTO Coupling, **52**
Guide, Valve, **23**

Hanger, Coolant Recovery Tank, **48**
Harness Location, Engine, **77**
Harness Location, Extension (Or Pigtail), **77**
Harness Location, Remote Panel, **77**
Harness, Adapter, **87**
Harness, Basic Remote Panel, **80**
Harness, Control, **75**
Harness, Control Relay, **75**
Harness, Customer Interface Pigtail, **79**
Harness, Deluxe Remote Control Panel (with Hour Meter), **84**
Harness, Deluxe Remote Control Panel (with Volt Meter), **85**
Harness, Deluxe Remote Panel, **81**
Harness, Engine Wiring, **71**
Harness, Extension, **79**
Harness, Junction, **87**
Harness, Low Coolant Sender Pigtail, **27**
Harness, Remote Control Panel, **83**
Harness, Remote Gauge Controls, **86**
Harness, Remote Gauge Panel, **82**
Head Assy, Water Separator Replacement, **38**
Head, Cylinder, **23**
Holder Assy, Alternator Brush (12V), **31**
Holder Assy, Alternator Brush (24V), **32**
Holder Assy, Nozzle, **25**
Holder Assy, Starter Brush (12V), **14**
Holder, Delivery Valve, **22**
Holder, Fork Lever, **19**
Holder, Governor Weight, **17**
Holder, Nozzle, **25**
Holder, Starter Brush (24V), **15**
Hose, Engine Coolant, **42**
Hose, Exhaust Manifold, **42**
Hose, Intake, **53**
Hose, Keel Cooling (Dry Exhaust), **46**
Hose, Keel Cooling (Wet Exhaust), **44**
Hose, Lower Coolant Tank, **42**
Hose, Mixer, **42**
Hose, Outlet (Wet Exhaust), **44**
Hose, Raw Water Pump, **42**
Hose, Rubber, **42**
Hose, Upper Coolant Tank "S", **47**
Hose, Upper Coolant Tank Elbow, **47**
Hose, Wet Exhaust, **55**
Housing, Generator, **63**
Housing, Main Bearing, **16**
Hub, Drive, **69**

Impeller, Coolant Water Pump, **29**
Impeller, Water Pump, **45**
Indicator, Oil Level, **51**
Insulation, Alternator Brush (12V), **31**
Insulation, Alternator Brush (24V), **32**
Insulation, Control Box, **67**
Isolator, Control Box Mount Vibration, **76**
Isolator, Ground (Spec A-B), **49**
Isolator, Ground (Spec C), **50**
Isolator, Mounting, **59**
Isolator, Vibration, **63**

Joint, Breather, **53**
Joint, Cylinder Block Drain Cock, **9**
Joint, Injection Pump Eye, **21**
Joint, Oil Filter Pipe, **28**

Key, Camshaft, **11**
Key, Crankshaft, **10**
Key, Fan Drive Pulley, **30**
Key, Fuel Camshaft, **17**
Key, Oil Pump, **9**
Key, Water Pump, **45**
Kit, Coolant Recovery, **48**
Kit, Deluxe Remote Control Panel (with Hour Meter), **84**
Kit, Deluxe Remote Control Panel (with Volt Meter), **85**
Kit, Dual Gauge Switch, **88**
Kit, Engine Gasket (MDKAD), **9**
Kit, Engine Gasket (MDKAE), **9**
Kit, Exhaust Adapter, **56**
Kit, Exhaust Flange, **56**
Kit, Front Panel, **63**
Kit, Front Panel (with PTO), **65**
Kit, Heat Exchanger, **42**
Kit, Heat Exchanger End Cap/Pencil, **42**
Kit, Heat Exchanger Zinc Pencil, **42**
Kit, Keel Cooling (Dry Exhaust), **46**
Kit, Keel Cooling (Wet Exhaust), **44**
Kit, Low Coolant Sender, **47**
Kit, Muffler, **58**
Kit, Muffler/Water Separator, **58**
Kit, PTO, **52**
Kit, PTO Adapter, **52**
Kit, PTO Belt Guard, **61**
Kit, Raw Water Pump Service, **45**
Kit, Remote Control Panel, **83**
Kit, Remote Fuel/Water Separator, **37**
Kit, Remote Gauge Controls, **86**

Index

Kit, Sender, **26**
Kit, Siphon Break, **39 , 40**
Kit, Sound Shield, **63**
Kit, Water Separator, **58**
Kit, Water Separator Metal Bowl Replacement, **38**

Labels, **90**

Lever Assy, Fork, **19**
Lever Assy, Starter (12V), **14**
Lever Assy, Starter (24V), **15**
Lever, Engine Stop, **20**
Lever, Fork, **19**
Lever, Governor, **19**
Lever, Lower Speed Control, **18**
Lever, Stop Solenoid Stop, **34**
Lever, Upper Speed Control, **18**

Line, Flex Fuel, **37**
Line, Flex Oil, **51**
Line, Fuel, **35**
Line, Fuel Return, **36**
Line, Oil, **36**

Location, Harness, **77**
Lock Assy, Plate, **22**

Manifold, Exhaust, **54**
Manifold, Intake, **53**
Manifold, Oil Pressure, **36**
Marker, Strip (with Gauges), **75**
Meter, Deluxe Remote Control Panel Hour (M11), **84**
Meter, Deluxe Remote Control Panel Volt, **85**
Meter, Remote Gauge Controls Running Time, **86**
Meter, Remote Gauge Controls Volt, **86**
Meter, Remote Panel Battery Voltage, **81**
Meter, Remote Panel Running Time, **81 , 82**
Meter, Remote Panel Voltage, **82**
Meter, Time Totalizing, **73**

Mixer, **55**

Mount Assy, Engine, **59**
Mount, Control Box, **76**
Muffler, **58**
Muffler, Dry Exhaust, **57**

Nipple, Keel Cooling (Dry Exhaust), **46**
Nipple, Keel Cooling (Wet Exhaust), **44**
Nozzle, Fuel, **25**

O'Ring Kit, Water Separator, **38**
O'Ring, Crankshaft, **10**
O'Ring, Cylinder Block, **9**
O'Ring, Cylinder Head, **23**
O'Ring, Gearcase, **28**
O'Ring, Governor Shaft, **19**
O'Ring, Oil Fill Plug, **28**
O'Ring, Pickup Tube, **51**
O'Ring, Speed Control, **18**
O'Ring, Valve Holder, **22**
O'Ring, Water Pump, **45**

Pan, Oil, **51**
Panel Assy, Control, **71**
Panel Assy, Control (with Gauges), **73**
Panel Assy, Generator Housing, **63**
Panel Assy, Housing Front, **64**
Panel Assy, Housing Front (with PTO), **65**
Panel Assy, Sound Shield Housing Front, **63**
Panel, Basic Remote Control, **80**
Panel, Breaker, **71**
Panel, Deluxe Remote Control, **81**
Panel, Deluxe Remote Control (with Hour Meter), **84**
Panel, Deluxe Remote Control (with Volt Meter), **85**
Panel, Housing Front, **64**
Panel, Housing Front (with PTO), **65**
Panel, Remote Control, **83**
Panel, Remote Gauge Control, **82**
Panel, Remote Gauge Controls, **86**
Pencil, Zinc, **42**
Pin, Cylinder Block Pipe, **9**
Pin, Cylinder Block Straight, **9**
Pin, Flywheel Alignment, **13**
Pin, Gearcase, **28**
Pin, Governor Weight, **19**
Pin, Governor Weight (Fuel Cam), **17**
Pin, Piston, **12**
Pin, Rocker Arm Bracket Spring, **24**
Pin, Speed Control, **18**
Pin, Stop Lever Spring, **20**
Pin, Tappet Guide, **22**
Pinion Set, Starter (24V), **15**
Pipe, Injection, **25**
Pipe, Overflow, **25**
Pipe, Water Return, **26**
Piston, **12**
Plate, Alternator Retainer (12V), **31**
Plate, Alternator Retainer (24V), **32**
Plate, Breather, **27**
Plate, Injection Pump Mounting, **22**
Plate, Speed Control, **18**
Plate, Water Pump Wear, **45**
Plug, Coolant Tank Hex Pipe, **47**
Plug, Cylinder Block, **9**
Plug, Cylinder Head, **23**
Plug, Engine Adapter Hole, **13**
Plug, Fuel Filter Drain, **35**
Plug, Gearcase, **28**
Plug, Glow, **25**
Plug, Hex Pipe, **37**
Plug, Oil Fill, **28**
Plug, Oil Pan, **51**
Plug, Oil Pressure Manifold Hex Head Pipe, **36**
Plug, Water Outlet Flange, **26**
Plug, Water Separator, **38**
Plunger, Pump, **22**
PTO, **52**
Pulley, Alternator, **33**
Pulley, Alternator (12V), **31**

Index

Pulley, Alternator (24V), **32**
Pulley, Coolant Water Pump, **29**
Pulley, Fan Drive, **30**
Pump Assy, Coolant Water, **29**
Pump Assy, Injection, **21**
Pump Assy, Water Separator, **38**
Pump, Electric Fuel, **35**
Pump, Oil, **9**
Pump, Raw Water, **42**
Pump, Raw Water (Wet Exhaust), **44**

Rack, Injection Pump Control, **22**
Rail Assy, **63**
Rectifier, Alternator (12V), **31**
Rectifier, Alternator (24V), **32**
Rectifier, Control Harness (With Gauges), **75**
Regulator, Alternator (12V), **31**
Regulator, Alternator (24V), **32**
Regulator, Voltage, **71**
Relay, Control Harness, **75**
Relay, Control Harness (With Gauges), **75**
Relay, Control Relay Harness, **75**
Relay, Solenoid, **53**
Resistor, Control (with Gauges), **73**
Resistor, Control Harness, **75**
Resistor, Control Harness (With Gauges), **75**
Resistor, Fuel Pump, **35**
Resistor, Remote Gauge Controls, **86**
Resistor, Remote Panel Gauge, **82**
Resonator, Intake, **53**
Retainer, Endbell, **69**
Retainer, Valve Spring, **24**
Ring, Camshaft Idle Gear Retaining, **11**
Ring, Fuel Camshaft Retaining, **17**
Ring, Piston Retaining, **12**
Ring, Rocker Arm, **24**
Ring, Water Pump Retaining, **45**
Riser, Exhaust (Dry), **56**
Riser, Exhaust (Wet), **55**
Rod Assy, Connecting, **12**
Rod, Camshaft Push, **11**
Roof Assy, Housing, **63**
Rotor Assy, Generator, **69**
Rotor, Alternator (12V), **31**
Rotor, Alternator (24V), **32**
Rotor, Exciter, **69**

Seal, Coolant Water Pump, **29**
Seal, Crankshaft Oil, **10**
Seal, Front Panel Edge (with PTO), **65**
Seal, Main Bearing Housing Oil, **16**
Seal, Nozzle Heat, **25**
Seal, Stop Lever Oil, **20**
Seal, Valve Stem, **24**
Seal, Water Pump Lip, **45**
Seal, Water Pump Mechanical, **45**
Seat, Spring, **22**
Seat, Valve, **28**
Sender Assy, Low Coolant, **47**
Sender, Low Coolant, **47**
Sender, Oil, **36**
Sender, Oil Pressure, **36**
Sender, Water Temperature, **26**
Separator, Fuel/Water, **58**
Separator, Remote Fuel/Water, **37**
Separator, Remote Fuel/Water Separator, **37**
Set, Ring, **12**
Shaft Assy, Rocker Arm, **24**
Shaft, Camshaft Idle Gear, **11**
Shaft, Engine Stop Lever, **20**
Shaft, Fork Lever, **19**
Shaft, Governor Lever, **19**
Shaft, Governor Weight, **17**
Shield, Sound, **63**
Shim, Injection Pump Mounting, **21**
Shim, PTO, **52**
Shim, Speed Control, **18**
Shim, Spring Seat, **22**
Sleeve, Air Intake, **53**
Sleeve, Crankshaft, **10**
Sleeve, Governor, **17**
Sleeve, Injection Pump Upper Spring, **22**
Slinger, Oil, **10**
Solenoid, Stop, **34**
Spacer, Generator Fan, **69**
Spring, Alternator Brush (12V), **31**
Spring, Alternator Brush (24V), **32**
Spring, Delivery Valve, **22**
Spring, Governor, **19**
Spring, Plunger, **22**
Spring, Rocker Arm, **24**
Spring, Speed Control, **18**
Spring, Starter (12V), **14**
Spring, Starter (24V), **15**
Spring, Valve, **24**
Spring, Valve Seat, **28**
Standoff, Control Box, **71**
Standoff, Control Insulator, **75**
Starter, **13**
Stator, Exciter, **69**
Stator, Generator, **69**
Stopper, Camshaft, **11**
Stopper, Fuel Camshaft, **17**
Stopper, Starter Set (12V), **14**
Stopper, Starter Set (24V), **15**
Strainer, Water Pickup, **58**
Strap, Bond, **49**
Strap, Bond (Control Box), **71**
Strap, Bond (Isolated Ground), **50**
Strap, Bond (Spec A-B), **49**
Strip, Ground, **49**
Strip, Isolated Ground, **50**
Support Assy, Roof, **63**
Support, Control Bracket, **76**

Index

- Support, Fuel Return, **36**
- Switch, Deluxe Remote Control Panel Rocker (with Volt Meter), **85**
- Switch, Dual Gauge, **88**
- Switch, High Exhaust Temperature, **55**
- Switch, High Water Temperature, **26**
- Switch, Manual Transfer (On/Off Shore), **88**
- Switch, Oil Pressure, **36**
- Switch, Remote Control Panel (S11) Rocker, **83**
- Switch, Remote Gauge Controls Rocker, **86**
- Switch, Remote Panel Rocker, **80** , **81** , **82**
- Switch, Remote Panel Rocker (with Hour Meter), **84**
- Switch, Rocker (with Gauges), **73**
- Switch, Starter Solenoid (12V), **14**
- Switch, Starter Solenoid (24V), **15**
- Swivel, Stop Solenoid Ball Joint, **34**
- System, Grounding (Spec A-B), **49**
- System, Grounding (Spec C), **50**

- Tank, Coolant, **47**
- Tank, Coolant Recovery, **48**
- Tape, Polyurethane, **69**
- Tappet Assy, Injection Pump, **22**

- Tappet, Camshaft, **11**
- Tee, Keel Cooling (Dry Exhaust), **46**
- Tee, Keel Cooling (Wet Exhaust), **44**
- Tee, Vacuum Relief Valve, **39**
- Thermostat, **26**
- Tube, Breather, **27**
- Tube, Flexible Exhaust, **57**
- Tube, Oil Pickup, **51**

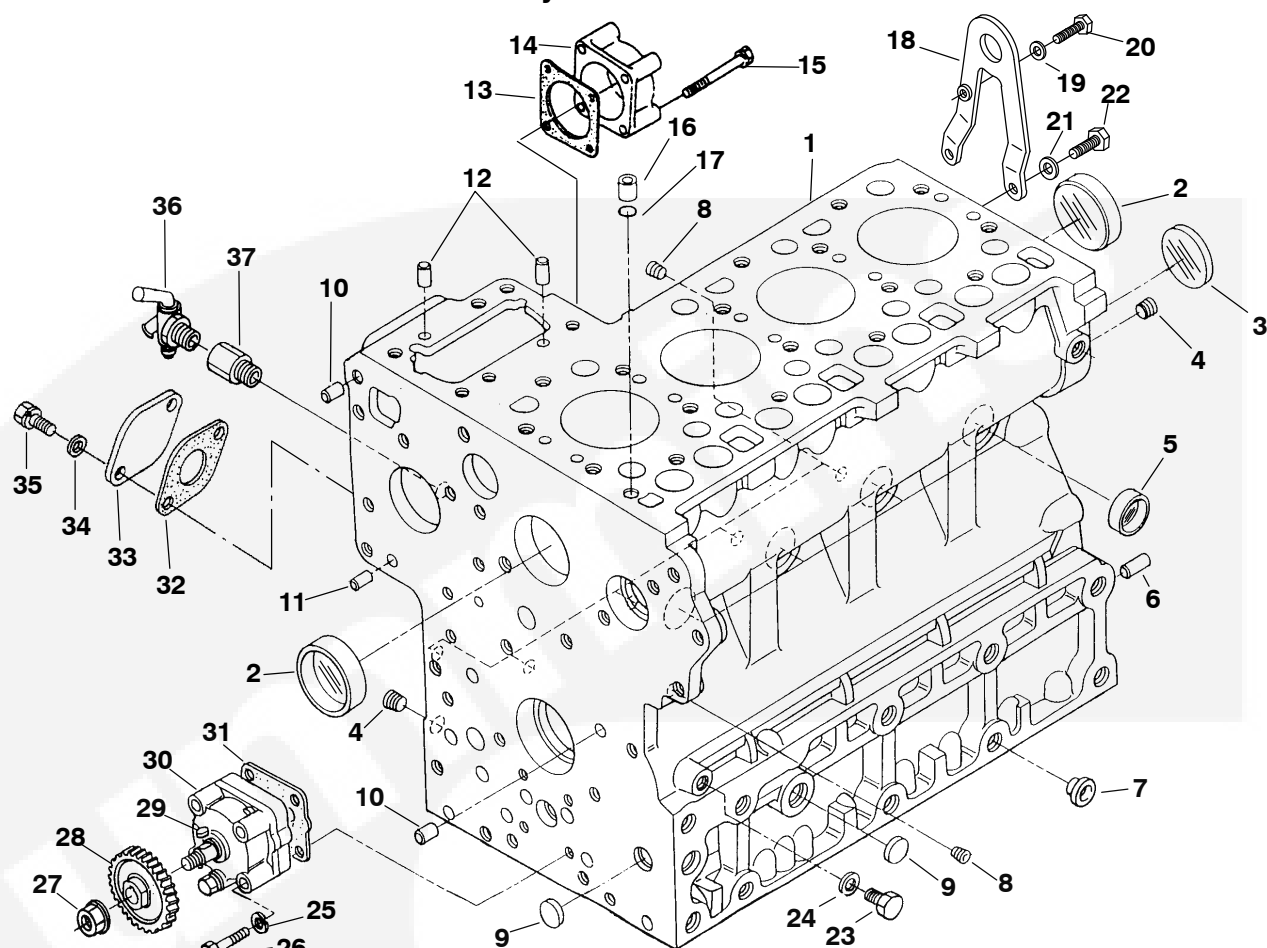
- Vacuum Relief Valve (Original), **39**
- Vacuum Relief Valve (Replacement), **40**
- Valve, Delivery, **22**
- Valve, Exhaust, **24**
- Valve, Inlet, **24**
- Valve, Vacuum Relief, **39**
- Voltmeter, **73**

- Weight, Governor, **17**

- Yoke Assy, Starter (12V), **14**
- Yoke Assy, Starter (24V), **15**



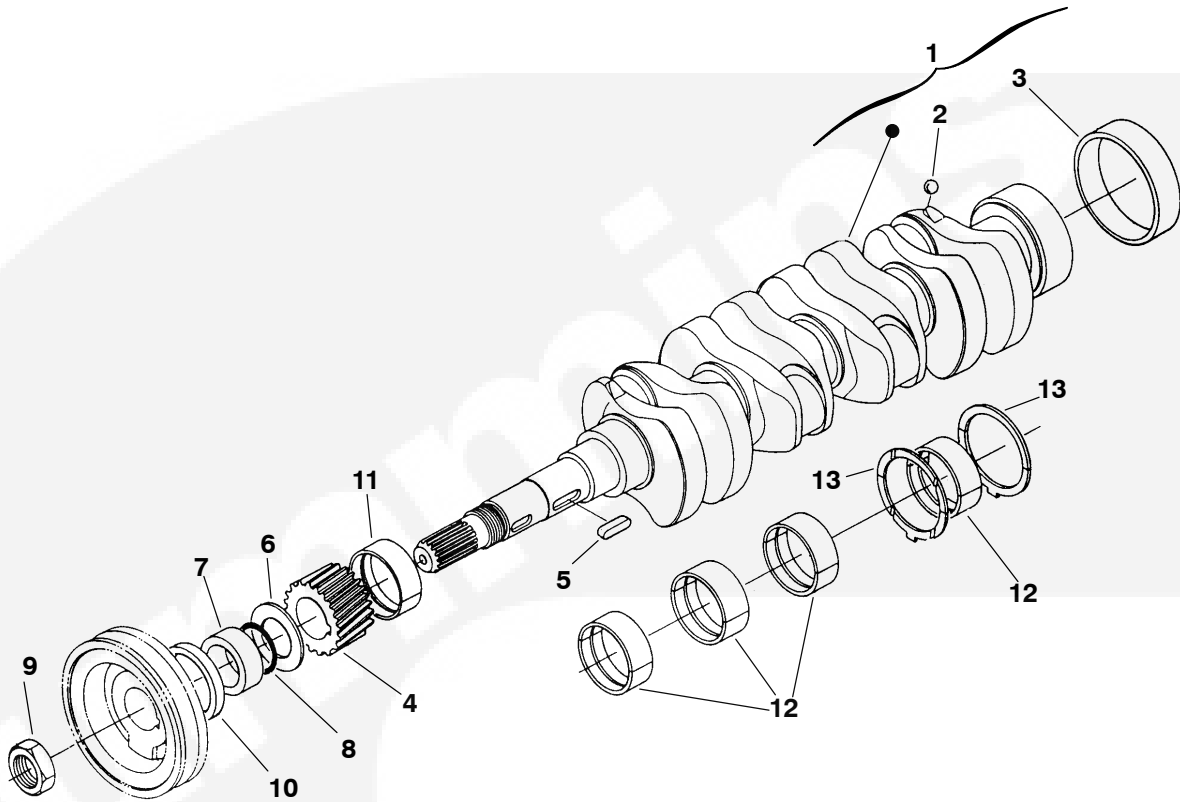
Cylinder Block



REF NO.	PART NO.	QTY USED	PART DESCRIPTION	REF NO.	PART NO.	QTY USED	PART DESCRIPTION
1			Engine, Replacement MDKAD	21	526-0399-64	2	Washer, Flat (M12)
	100-3578-01	1	12V	22	800-3033	2	Screw, Hex Head Cap (M12 x 1.25 x 25mm)
	100-3578-02	1	24V	23	185-5845	1	Plug
			MDKAE	24	185-2338	1	Gasket
	100-3577-01	1	12V	25	185-6759	4	Washer, Spring
	100-3577-02	1	24V	26	185-5850	4	Bolt
2	185-5841	2	Cap, Sealing	27	185-5852	1	Nut, Flange
3	185-5839	1	Plug	28	185-5851	1	Gear, Oil Pump Drive
4	185-2234	2	Plug	29	185-2352	1	Key
5	185-5840	6	Cap, Sealing	30	185-5848	1	Pump, Oil
6	185-5844	1	Pin, Straight	31	185-5849	1	Gasket, Oil Pump
7	185-5837	2	Plug	32	185-2125	1	Gasket, Hole Cover
8	185-2233	6	Plug	33	185-6784	1	Cover, Hole
9	185-6121	3	Plug	34	850-2006	2	Washer, Flat
10	185-5843	2	Pin, Straight	35	800-2034	2	Bolt
11	185-5842	2	Pin, Straight	36	185-5846	1	Cock, Drain
12	185-2350	2	Pin, Straight	37	185-5847	1	Joint, Drain Cock
13	185-6982	1	*Gasket, Cover	38	168-0221-01	1	Kit, Engine Gasket (MDKAD)
14	185-6772	1	*Cover, Fuel Camshaft	39	168-0221-02	1	Kit, Engine Gasket (MDKAE)
15	185-5676	4	*Bolt				
16	185-2094	1	Pin, Pipe				
17	185-2095	1	O'Ring				
18	403-3916-02	1	Bracket, Lifting				
19	526-2100	1	Washer (M8)				
20	718-1036	1	Screw, Hex Head Cap (M8 x 20 x 1.25")				

* - Parts Included in Keel Cooling Kit Found on Keel Cooling Dry Exhaust Page).

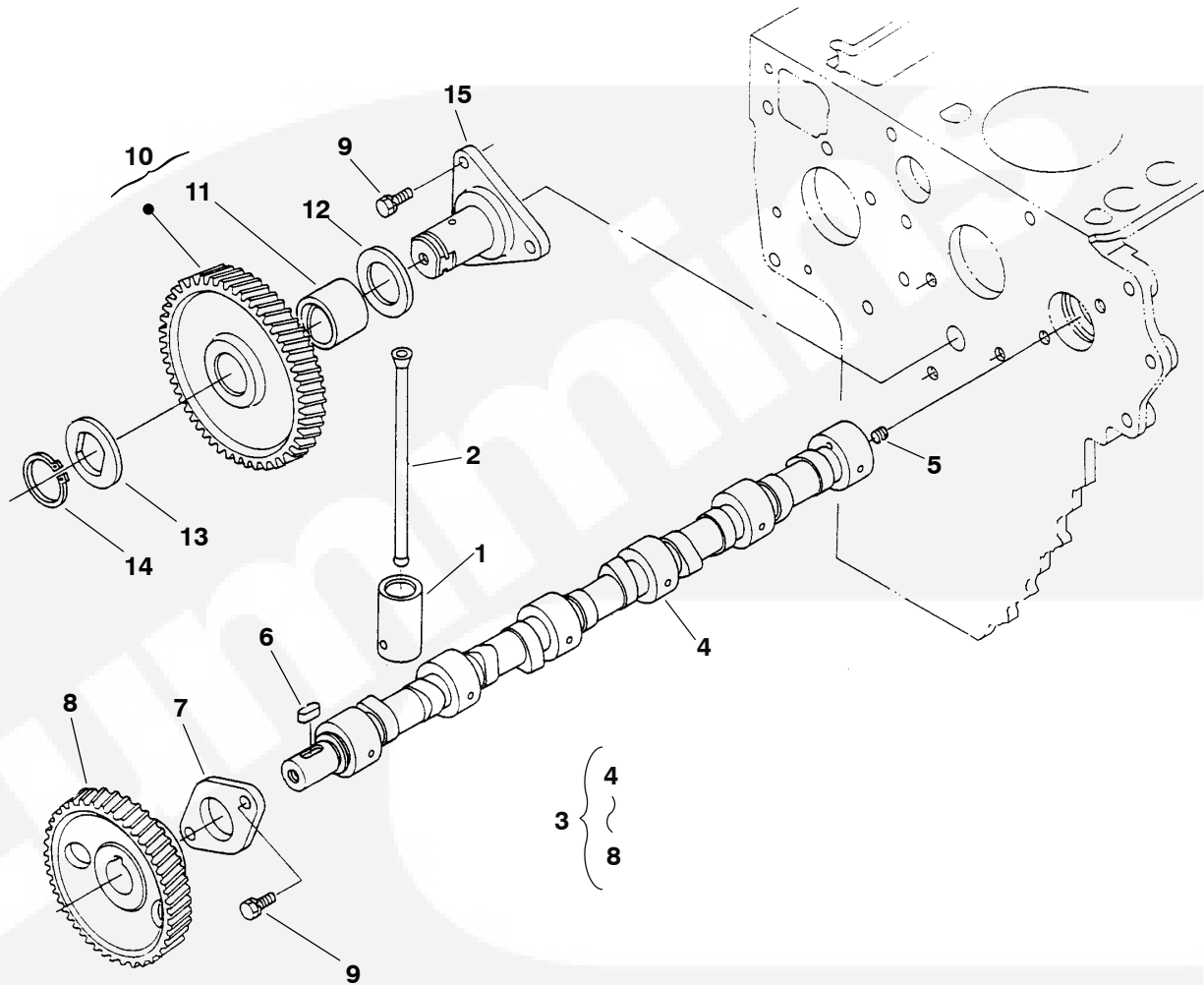
Crankshaft



REF NO.	PART NO.	QTY USED	PART DESCRIPTION	REF NO.	PART NO.	QTY USED	PART DESCRIPTION
1	185-6129	1	Crankshaft (Includes Balls and Sleeve)	12			Bearing, Main
2	185-5924	4	Ball	185-6086	4		Standard
3	185-5925	1	Sleeve	185-5936	4		0.2 mm Undersize
4	185-5926	1	Gear	185-5937	4		0.4 mm Undersize
5	185-5905	1	Key	13			Bearing, Thrust
6	185-5927	1	Slinger, Oil	185-5938	2		Standard
7	185-5928	1	Collar	185-5939	2		0.2 mm Oversize
8	185-5929	1	O'Ring	185-5940	2		0.4 mm Oversize
9	185-5930	1	Nut	185-5941	2		Standard
10	185-5931	1	Seal, Oil	185-5942	2		0.2 mm Oversize
11			Bearing	185-5943	2		0.4 mm Oversize
	185-6085	1	Standard				
	185-5933	1	0.2 mm Undersize				
	185-5934	1	0.4 mm Undersize				



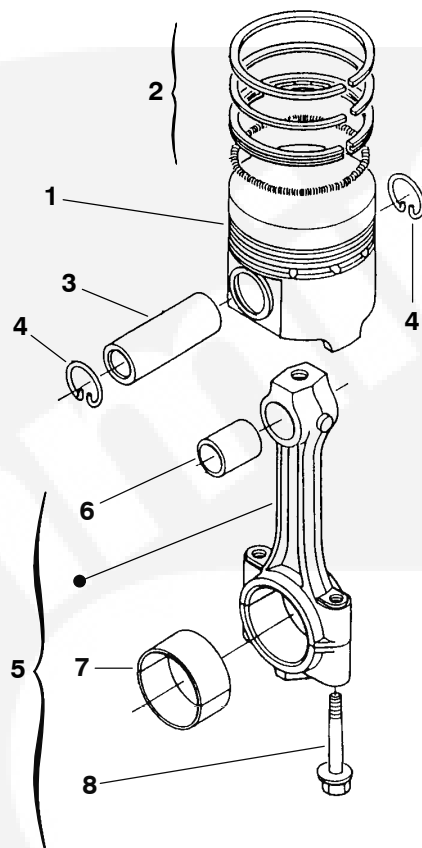
Camshaft



REF NO.	PART NO.	QTY USED	PART DESCRIPTION	REF NO.	PART NO.	QTY USED	PART DESCRIPTION
1	185-5900	8	Tappet	10	185-5907	1	Gear Assy, Idle (Includes Bushing)
2	185-5901	8	Rod, Push	11	185-5908	1	Bushing, Idle Gear
3	185-5902	1	Camshaft Assy (Includes Parts Marked *)	12	185-5909	1	Collar
4	185-5903	1	*Camshaft	13	185-5910	1	Collar
5	185-5558	1	*Screw, Set	14	185-5911	1	Ring, External Retaining
6	185-5905	1	*Key	15	185-5912	1	Shaft, Idle Gear
7	185-5906	1	*Stopper, Camshaft				
8	185-5904	1	*Gear, Camshaft				
9	185-2400	5	Bolt				

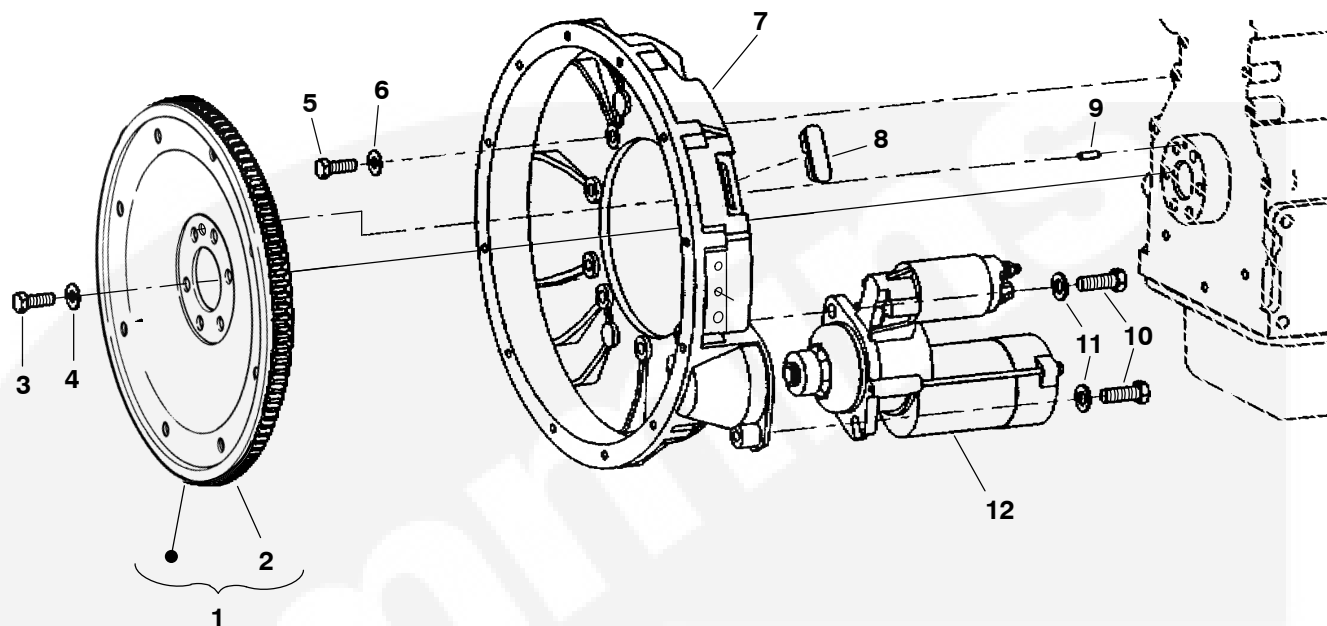
* - Parts Included in Camshaft Assy

Piston



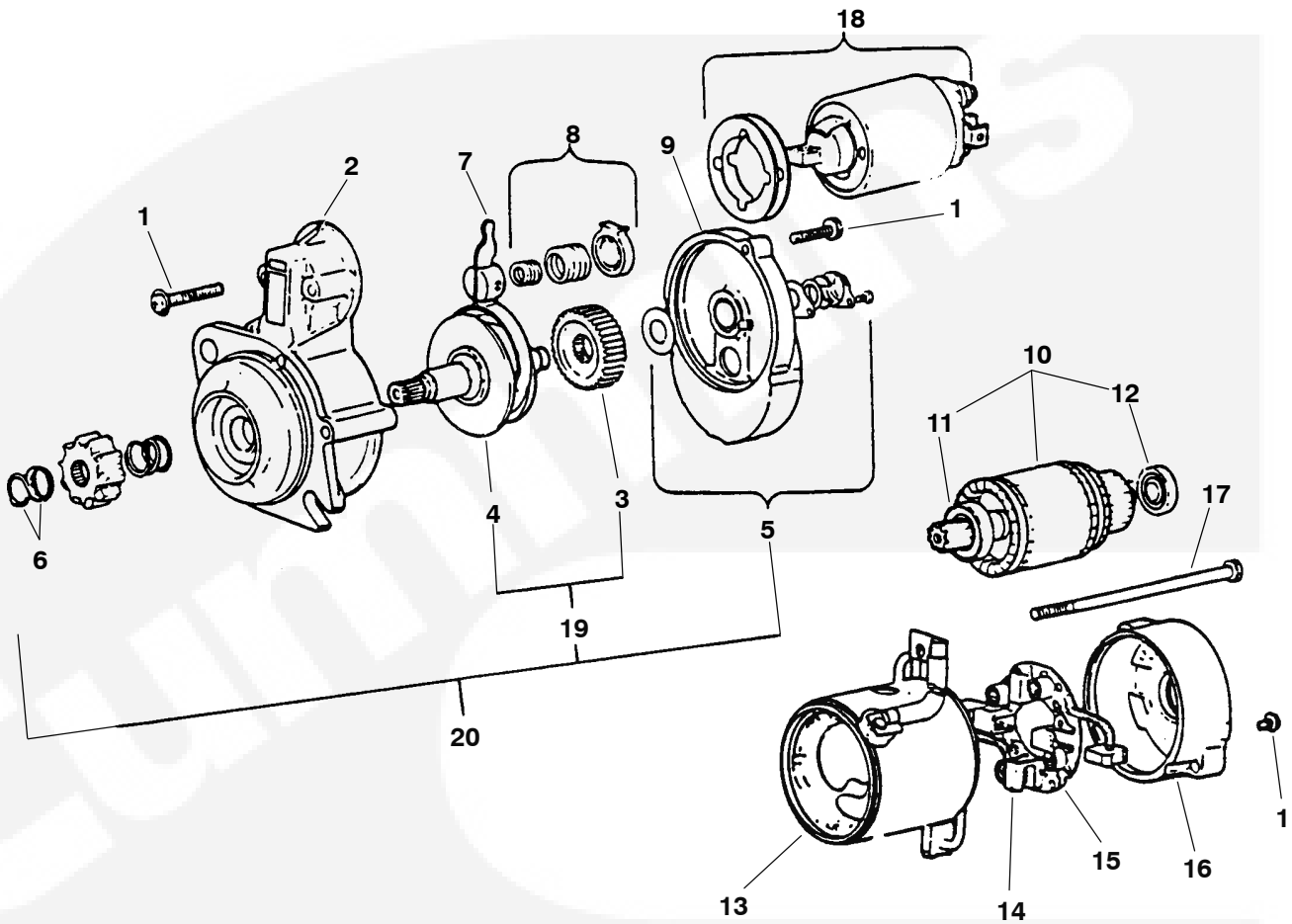
REF NO.	PART NO.	QTY USED	PART DESCRIPTION	REF NO.	PART NO.	QTY USED	PART DESCRIPTION
1			Piston	3	185-5915	4	Pin, Piston
	185-6767	4	MDKAD Standard	4	185-5916	8	Ring, Retaining
	185-6768	4	0.5 mm Oversize	5	185-5917	4	Rod Assy, Connecting (Includes Bushing, Bearing and Bolts)
			MDKAE	6	185-6209	4	Bushing
	185-5913	4	Standard	7			Bearing
	185-6074	4	0.5 mm Oversize		185-6076	4	Standard
2			Set, Ring		185-5921	4	0.2 mm Undersize
			MDKAD		185-5922	4	0.4 mm Undersize
	185-6769	4	Standard	8	185-6771	8	Bolt
	185-6770	4	0.5 mm Oversize				
			MDKAE				
	185-5914	4	Standard				
	185-6075	4	0.5 mm Oversize				

Flywheel



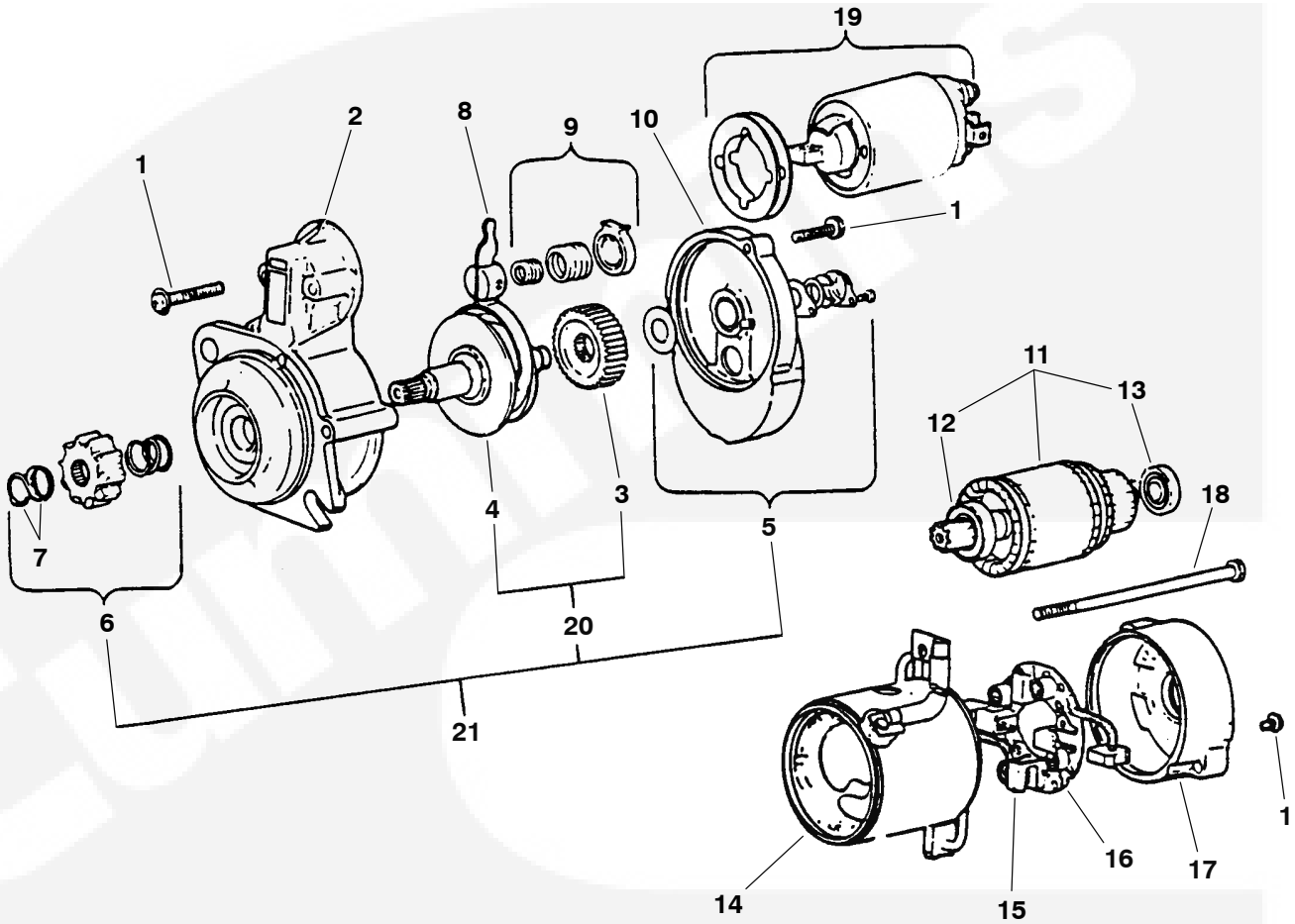
REF NO.	PART NO.	QTY USED	PART DESCRIPTION	REF NO.	PART NO.	QTY USED	PART DESCRIPTION
1			Flywheel Assy (Includes Ring Gear)	7			Adapter, Engine
	104-1830	1	Spec A		101-0810	1	Spec A
	104-1929	1	Begin Spec B		101-0821	1	Begin Spec B
2	104-1666	1	Gear, Ring	8	101-0811	1	Plug, Hole
3	800-3032	6	Screw, Hex Head Cap (M12 x 1.25 x 30mm)	9	775-0061	1	Pin, Parallel Hard
4	526-0029	6	Washer, Flat (M10)	10	800-2113	2	Screw, Cap - Hex Head (M12 x 1.75 x 35mm)
5			Screw, Hex Head Cap (M10 x 1.25 x 30mm)	11	526-0399-64	2	Washer, Flat (M12)
	800-3005	7	Spec A	12			Starter (See Separate Page for Components)
	800-3005	11	Begin Spec B		191-1959	1	12V
6			Washer, Flat (M10)		191-1550	1	24V
	526-0029	7	Spec A				
	526-0029	11	Begin Spec B				

Starter Components (12V)



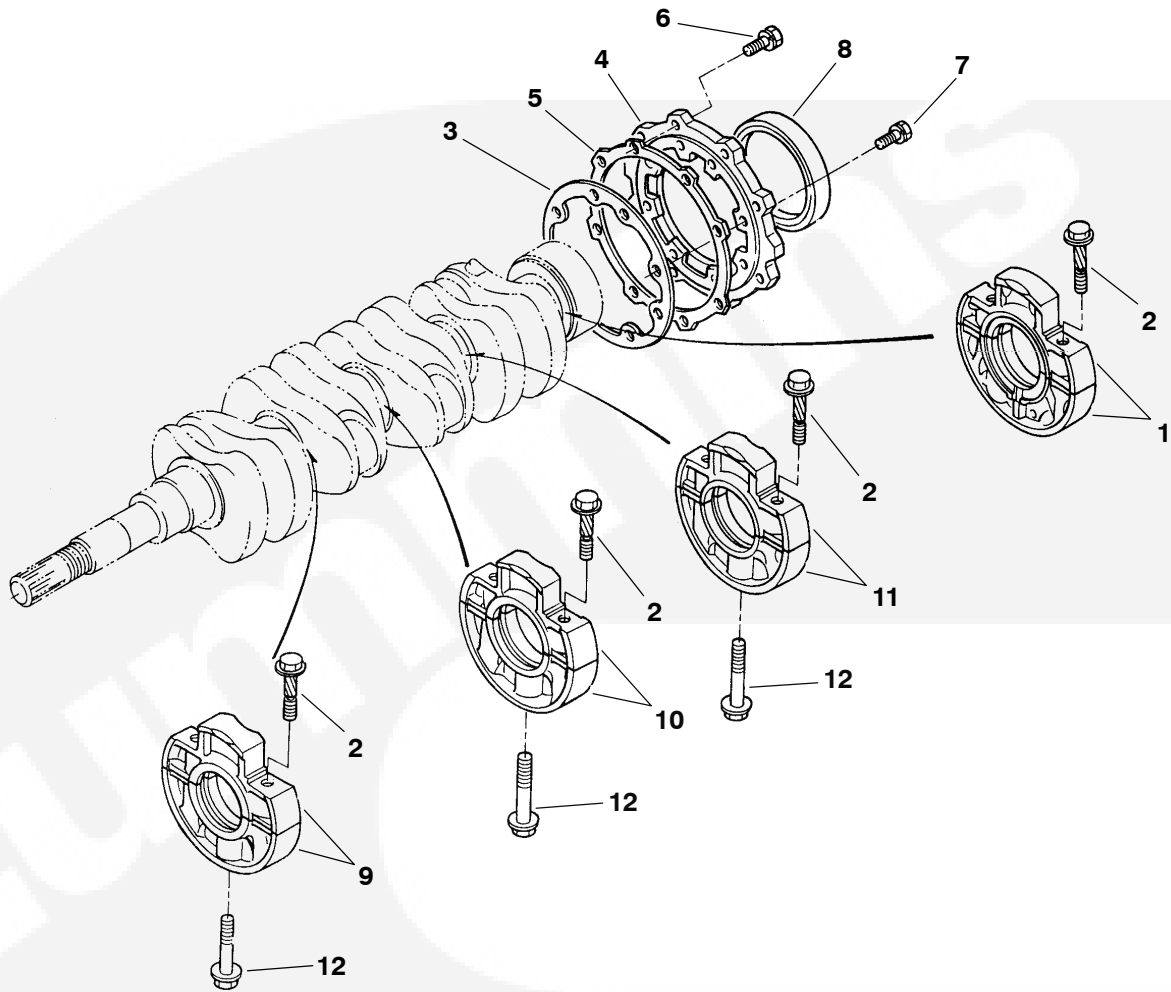
REF NO.	PART NO.	QTY USED	PART DESCRIPTION	REF NO.	PART NO.	QTY USED	PART DESCRIPTION
	191-1959	1	Starter	11	191-1437	1	Bearing, Center
1	191-1450	4	Set, Screw	12	191-1436	1	Bearing, Rear
2	191-1449	1	Bracket Assy, Front	13	191-1992	1	Yoke Assy
3	191-1446	1	Gear	14	191-1993	1	Holder Assy, Brush
4	191-1445	1	Drive Assy	15	191-1433	1	Spring, Brush
5	191-1444	1	Cover Assy	16	191-1432	1	Bracket, Rear
6	191-1442	1	Stopper, Set	17	191-1431	1	Bolt, Set
7	191-1441	1	Lever Assy	18	191-1994	1	Switch, Solenoid
8	191-1991	1	Spring, Set	19	191-1447	1	Gear, Set
9	191-1439	1	Bracket Assy, Center	20	191-1448	1	Drive Assy
10	191-1438	1	Armature (Includes Bearings)				

Starter Components (24V)



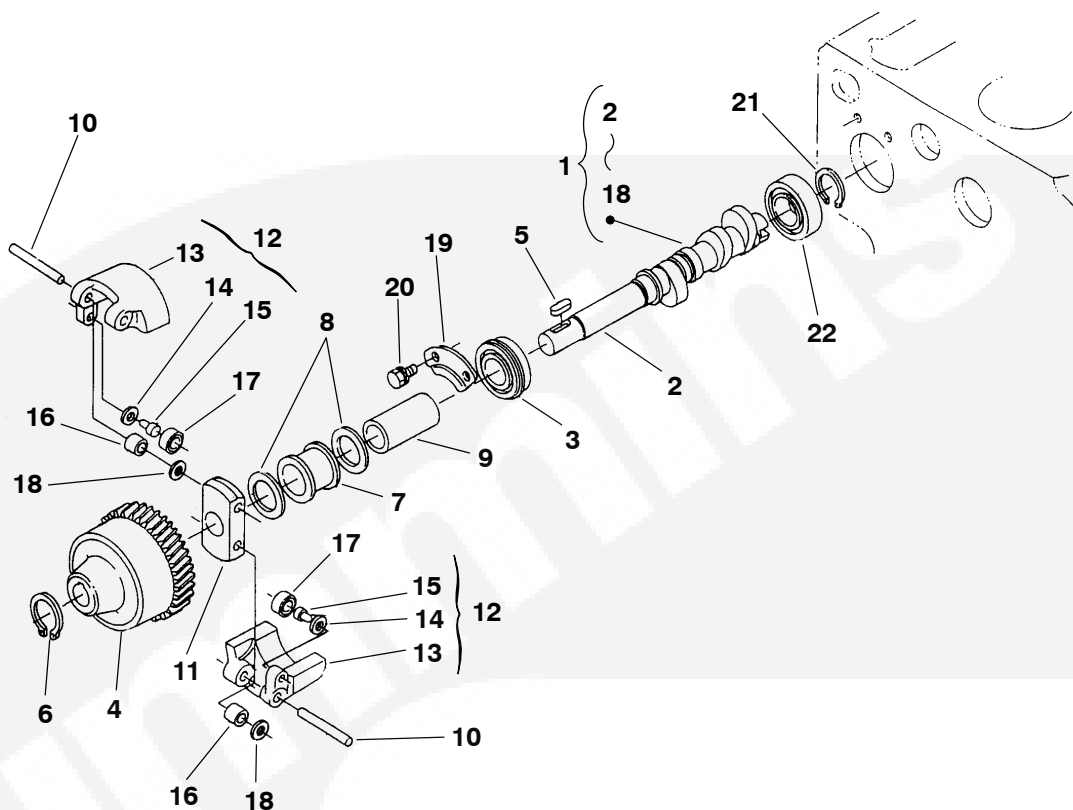
REF NO.	PART NO.	QTY USED	PART DESCRIPTION	REF NO.	PART NO.	QTY USED	PART DESCRIPTION
	191-1550	1	Starter	11	191-1606	1	Armature (Includes Bearings)
1	191-1450	4	Set, Screw	12	191-1437	1	Bearing, Center Sleeve
2	191-1449	1	Bracket Assy, Front (Includes Bearing)	13	191-1436	1	Bearing, Rear Sleeve
3	191-1446	1	Gear	14	191-1607	1	Yoke Assy (Includes Pole Shoes, Field Coil, Positive Brushes)
4	191-1445	1	Drive	15	191-1608	1	Holder, Brush (Includes Negative Brushes)
5	191-1444	1	Cover Assy, Rear (Includes Cover Plate, Washers, Screws, and Snap Ring)	16	191-1433	4	Spring, Brush
6	191-1960	1	Pinion Set (Includes Pinion, Spring & Stopper Set)	17	191-1432	1	Bracket, Rear
7	191-1442	1	Stopper, Set (Includes Ring)	18	191-1431	1	Bolt, Set
8	191-1441	1	Lever Assy	19	191-1609	1	Switch, Solenoid (Includes Shims)
9	191-1440	1	Spring Set	20	191-1447	1	Gear, Set
10	191-1439	1	Bracket, Center	21	191-1448	1	Drive Assy

Main Bearing Housing



REF NO.	PART NO.	QTY USED	PART DESCRIPTION	REF NO.	PART NO.	QTY USED	PART DESCRIPTION
1	185-5889	1	Housing, Main Bearing	7	185-2404	8	Bolt
2	185-5890	8	Bolt, Bearing Housing	8	185-5895	1	Seal, Oil
3	185-6766	1	Gasket, Bearing Housing	9	185-5896	1	Housing, Main Bearing
4	185-5892	1	Cover, Bearing Housing	10	185-5897	1	Housing, Main Bearing
5	185-5893	1	Gasket, Bearing Housing Cover	11	185-5898	1	Housing, Main Bearing
6	185-2403	8	Bolt	12	185-5899	3	Bolt, Bearing Housing

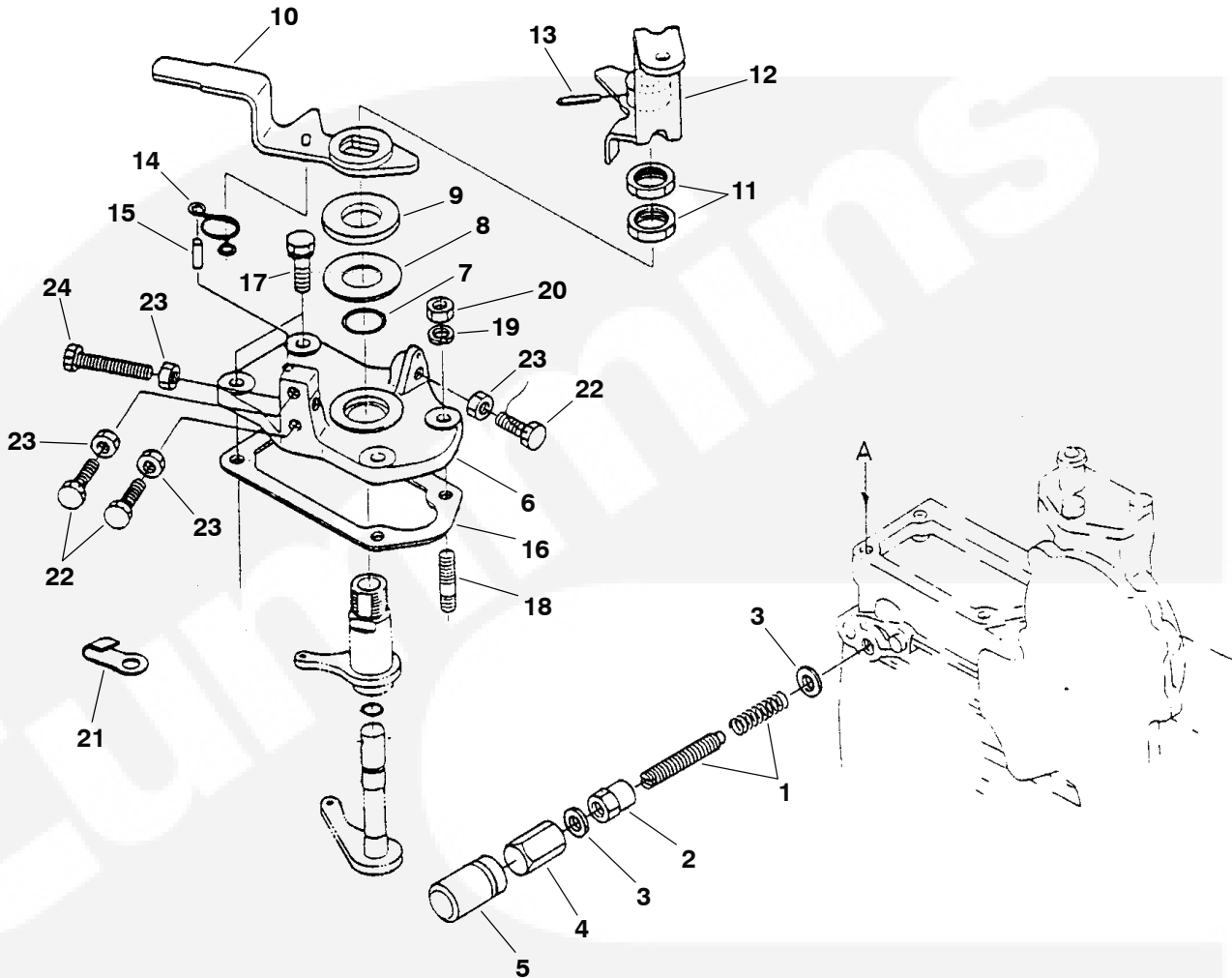
Fuel Camshaft



REF NO.	PART NO.	QTY USED	PART DESCRIPTION	REF NO.	PART NO.	QTY USED	PART DESCRIPTION
1	185-5945	1	Camshaft Assy, Fuel (Includes Parts Marked *)	13	185-7039	2	*Weight, Governor
2	185-5946	1	*Camshaft, Fuel	14	185-5960	2	*Washer
3	185-5947	1	*Bearing, Ball	15	185-5957	2	*Pin, Governor Weight
4	185-5948	1	*Gear, Injection Pump	16	185-5958	4	*Bushing
5	185-5949	1	*Key	17	185-5959	2	*Bearing, Governor Weight
6	185-5950	1	*Ring, External Retaining	18	185-5966	4	*Washer, Flat
7	185-5951	1	*Sleeve, Governor	19	185-5962	1	Stopper, Fuel Camshaft
8	185-5952	2	*Washer, Thrust	20	185-6956	2	Bolt
9	185-5953	1	*Collar	21	185-5963	1	Ring, External Retaining
10	185-5954	2	*Shaft, Governor Weight	22	185-5961	1	Bearing, Ball
11	185-5955	1	*Holder, Governor Weight				
12	185-5956	2	*Weight Assy, Governor (Includes Pin, Weight and Washer)				

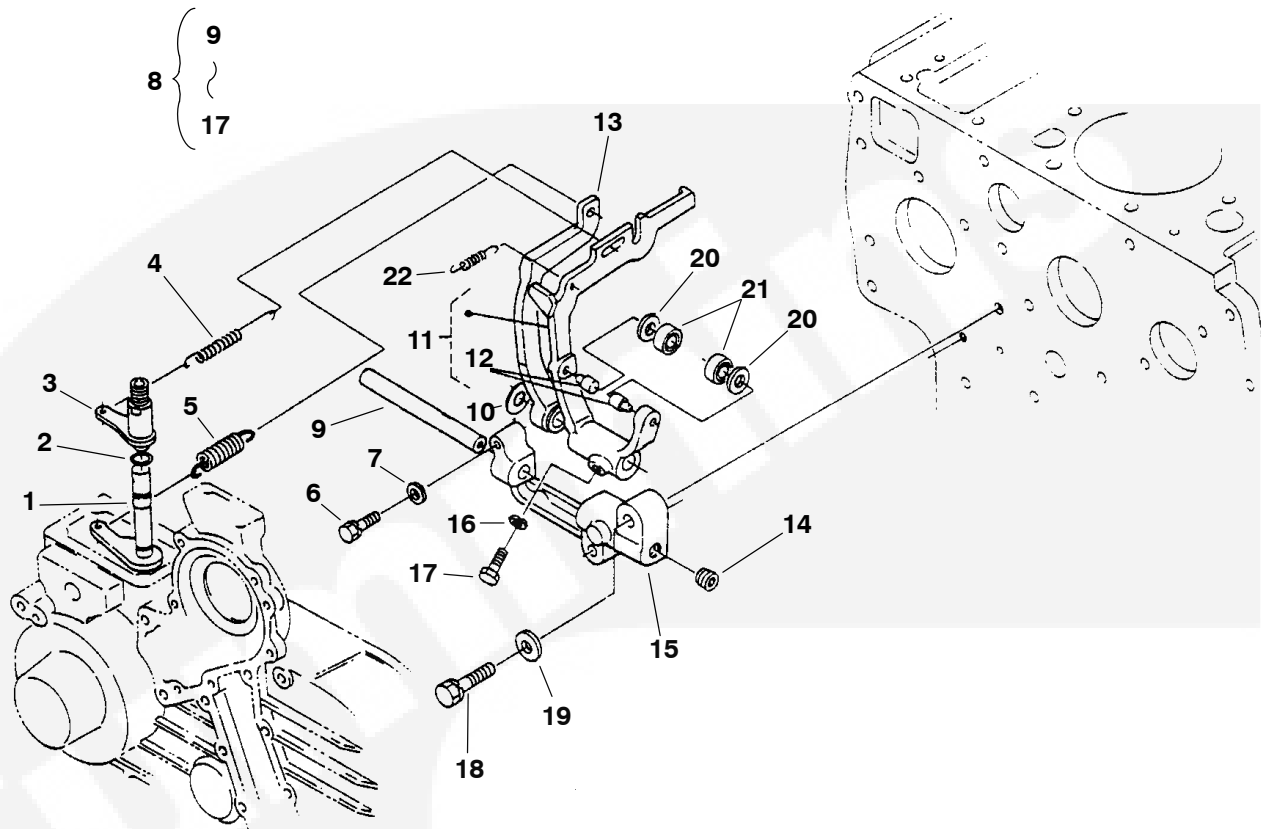
* - Parts Included in Fuel Camshaft Assy

Speed Control



REF NO.	PART NO.	QTY USED	PART DESCRIPTION	REF NO.	PART NO.	QTY USED	PART DESCRIPTION
1	185-6168	1	Bolt, Maximum Fuel Adjusting	13	185-5696	1	Pin, Spring
2	185-6169	1	Nut	14	185-6178	1	Spring
3	185-2284	2	Seal, Oil	15	185-6179	1	Pin, Straight
4	185-5529	1	Nut, Cap	16	185-6180	1	Gasket
5	185-2283	1	Cap	17	185-2390	2	Bolt
6	185-6171	1	Plate, Speed Control	18	185-2105	2	Stud
7	185-5691	1	O'Ring	19	185-6759	2	Washer, Spring
8	185-3397	1	Shim (0.50 mm)	20	185-4255	2	Nut
9	185-6174	1	Collar	21	185-5140	1	Clamp, Cord
10	185-6175	1	Lever, Lower Speed Control	22	800-2036	3	Bolt (M6 x 30)
11	185-5693	2	Nut	23	750-1004	4	Nut (M6)
12	185-6177	1	Lever, Upper Speed Control	24	800-2038	1	Bolt (M6 x 40)

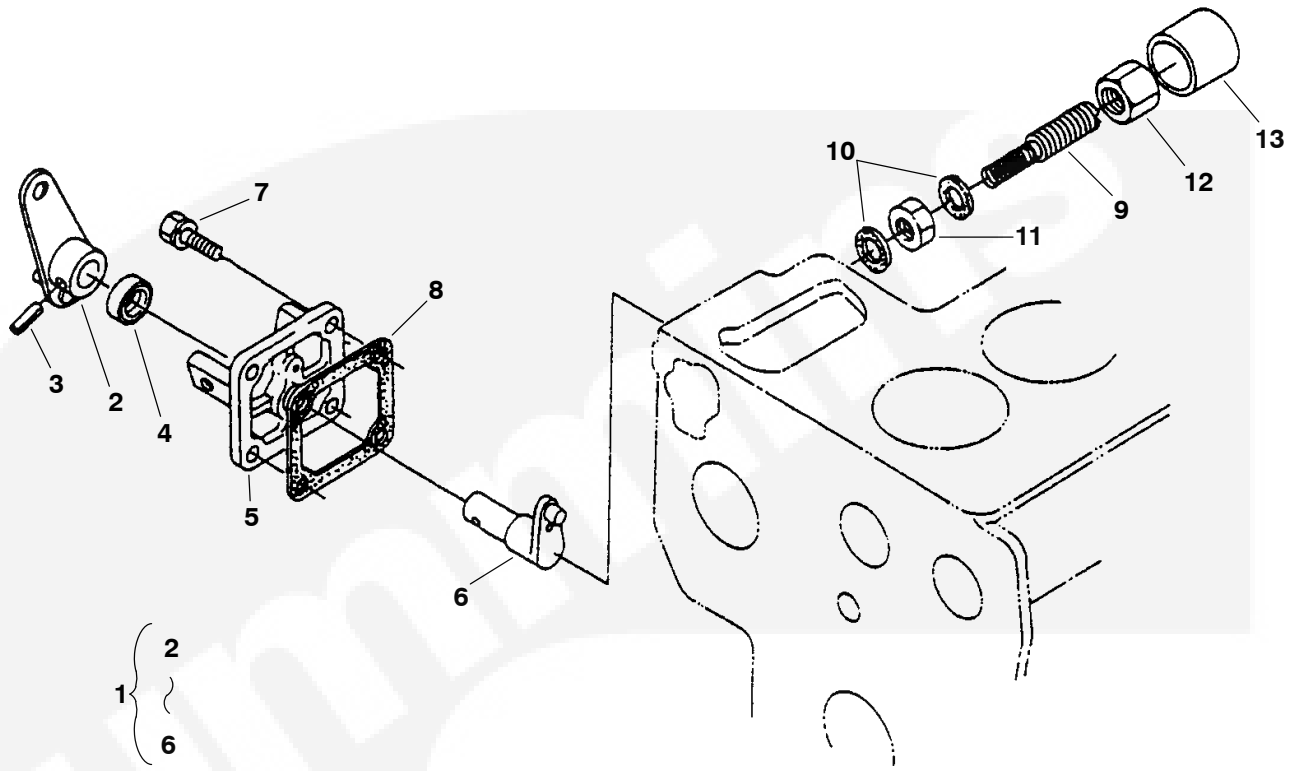
Governor



REF NO.	PART NO.	QTY USED	PART DESCRIPTION	REF NO.	PART NO.	QTY USED	PART DESCRIPTION
1	185-6172	1	Shaft, Lever	10	185-6163	1	*Washer, Flat
2	185-2347	1	O'Ring	11	185-6158	1	*Lever Assy, Fork (Includes Pin)
3	185-6173	1	Lever, Governor	12	185-5957	2	*Pin, Governor Weight
4			Spring, Governor	13	185-6779	1	*Lever, Fork
	185-6167	1	Through S/N 1562	14	185-6164	1	*Screw, Set
	185-6753	1	Begin S/N 1563	15	185-6780	1	*Holder, Fork Lever
			MDKAE	16	185-2379	1	*Washer, Spring
	185-6167	1	Through S/N 60896	17	185-6161	1	*Bolt
	185-6753	1	Begin S/N 60897	18	185-6781	2	Bolt
5	185-7112	1	Spring, Governor	19	185-2777	2	Washer, Flat
6	185-2392	1	Bolt	20	185-5960	2	Washer
7	185-2376	1	Washer, Flat	21	185-5959	2	Bearing
8	185-6801	1	Lever Assy, Fork (Includes Parts Marked *)	22	185-6165	1	Spring, Start
9	185-6160	1	*Shaft, Fork Lever				

* - Parts Included in Fork Lever Assy.

Engine Stop Lever

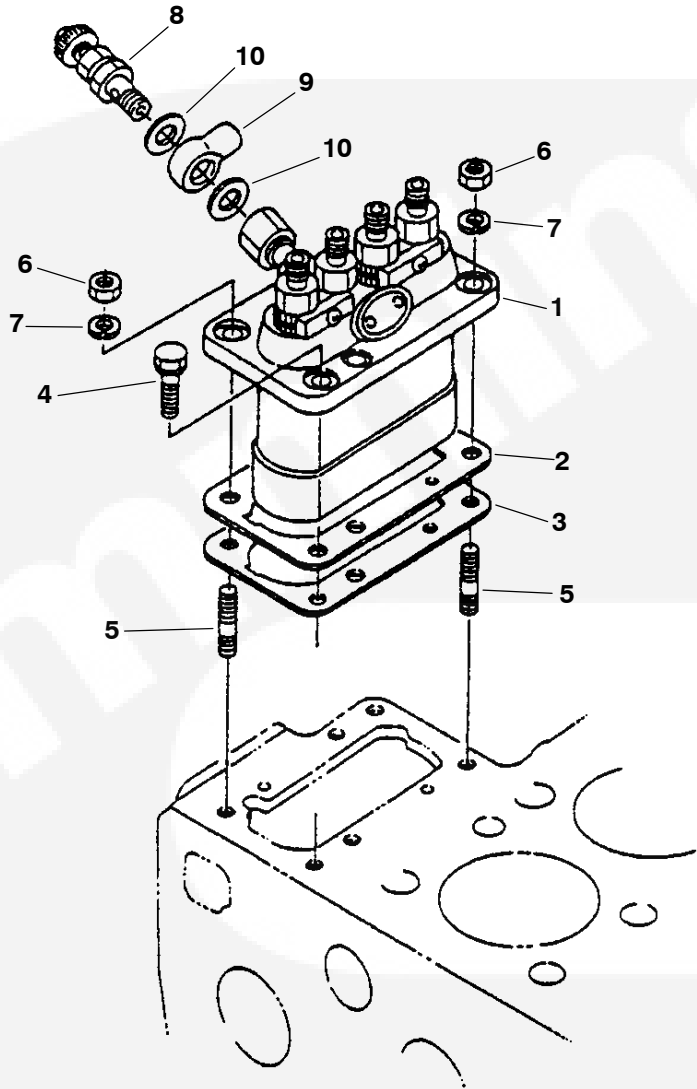


REF NO.	PART NO.	QTY USED	PART DESCRIPTION
1	185-6726	1	Lever Assy, Engine Stop (Includes Parts Marked #)
2	185-6775	1	#Lever, Engine Stop
3	185-2351	1	#Pin, Spring
4	185-7043	1	#Seal, Oil
5	185-6134	1	#Cover, Injection Pump
6	185-6135	1	#Shaft, Lever
7	185-2389	4	Bolt
8	185-5974	1	Gasket, Injection Pump Cover

REF NO.	PART NO.	QTY USED	PART DESCRIPTION
9	185-6774	1	Bolt, Adjusting
10	185-2338	2	Gasket
11	185-5969	1	Nut
12	185-5970	1	Nut, Cap
13	185-5971	1	Cap

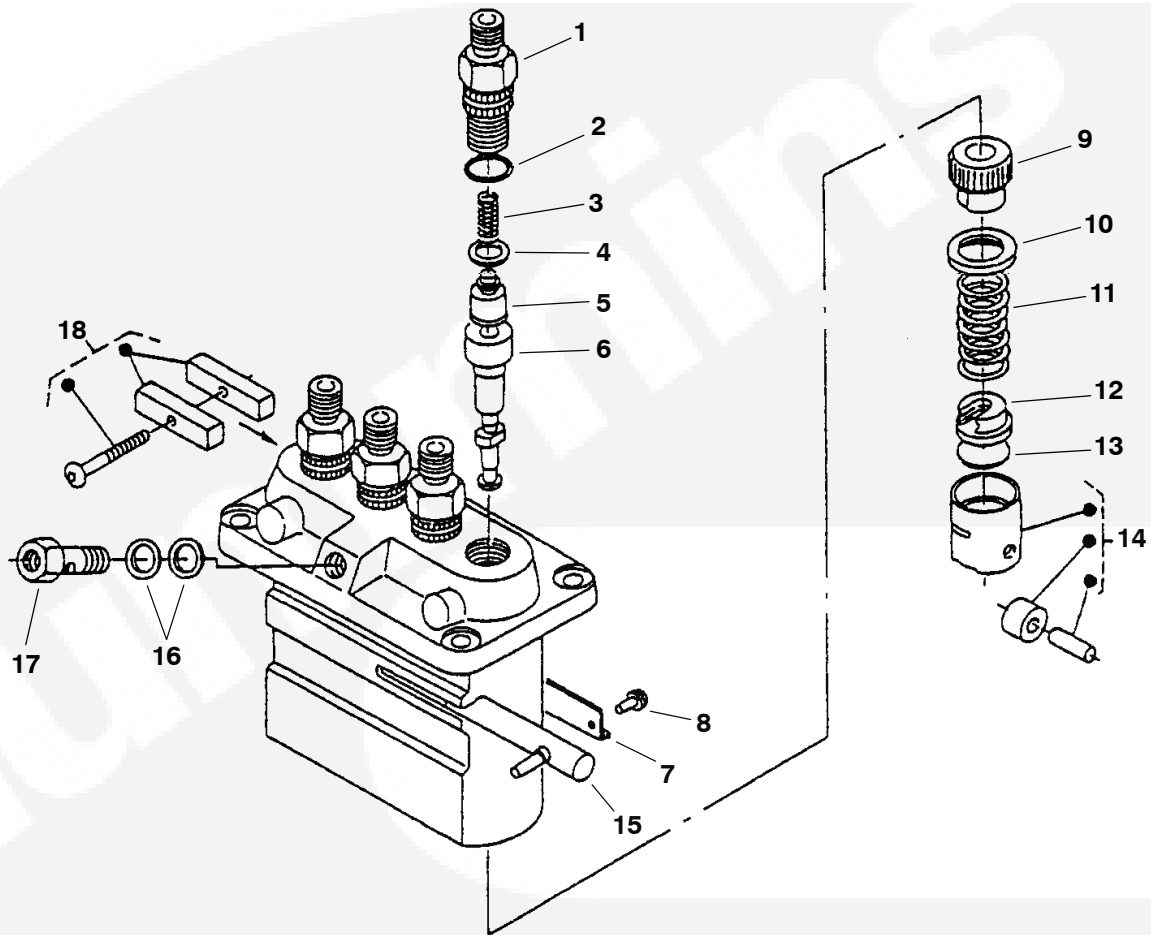
- Parts Included in Engine Stop Lever Assy

Injection Pump



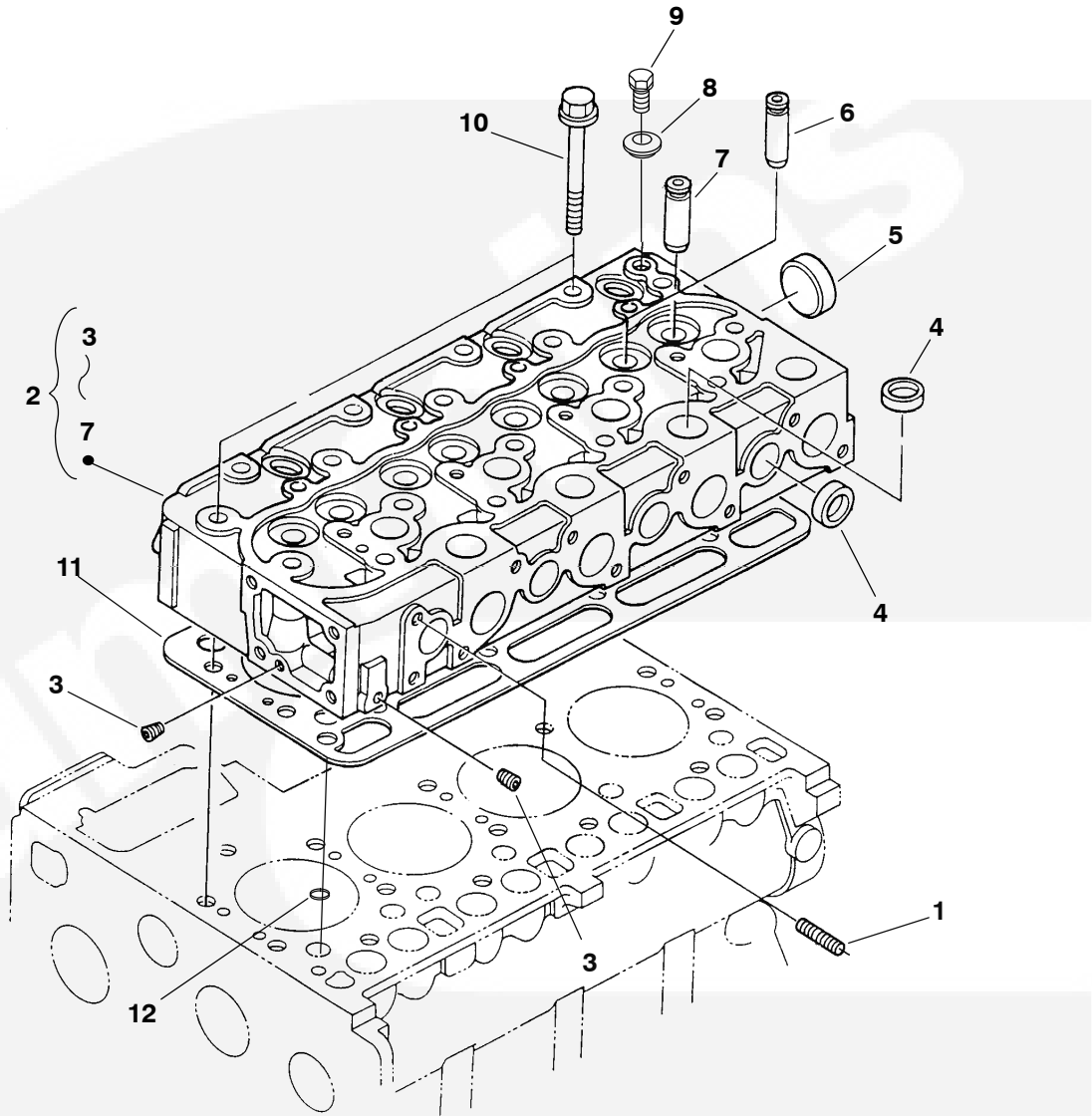
REF NO.	PART NO.	QTY USED	PART DESCRIPTION	REF NO.	PART NO.	QTY USED	PART DESCRIPTION
1	185-7111	1	Pump Assy, Injection (See Separate Page for Components)	4	185-2402	4	Bolt
2			Shim	5	185-2106	2	Stud
	185-5976	2	Standard	6	185-2367	2	Nut
	185-6756	2	.20mm	7	185-6957	2	Washer, Spring
	185-6757	2	.25mm	8	185-6777	1	Cock, Jet Start
3			Shim	9	185-6418	1	Joint, Eye
	185-5977	1	.45mm	10	185-2578	2	Gasket
	185-6758	1	.30mm				

Injection Pump Components



REF NO.	PART NO.	QTY USED	PART DESCRIPTION	REF NO.	PART NO.	QTY USED	PART DESCRIPTION
	185-7111	1	Pump Assy, Injection	8	185-6145	4	Pin, Tappet Guide
1	185-6142	4	Holder, Delivery Valve	9	185-6152	4	Sleeve, Control
2	185-6155	4	O'Ring	10	185-6148	4	Seat, Upper Spring
3	185-6140	4	Spring, Delivery Valve	11	185-6147	4	Spring, Plunger
4	185-6141	4	Gasket, Delivery Valve	12	185-6778	4	Seat, Lower Spring
5	185-6139	4	Valve, Delivery	13	185-6151	4	Shim
6	185-6138	4	Plunger, Pump Old (Goes with Old Pump 185-6776)	14	185-6144	4	Tappet Assy
	185-6138	4	New (Goes w/185-7111)	15	185-6150	1	Rack, Control
7	185-6146	2	Plate	16	185-6154	2	Gasket
				17	185-6153	1	Screw, Hollow
				18	185-6143	2	Lock Assy, Plate

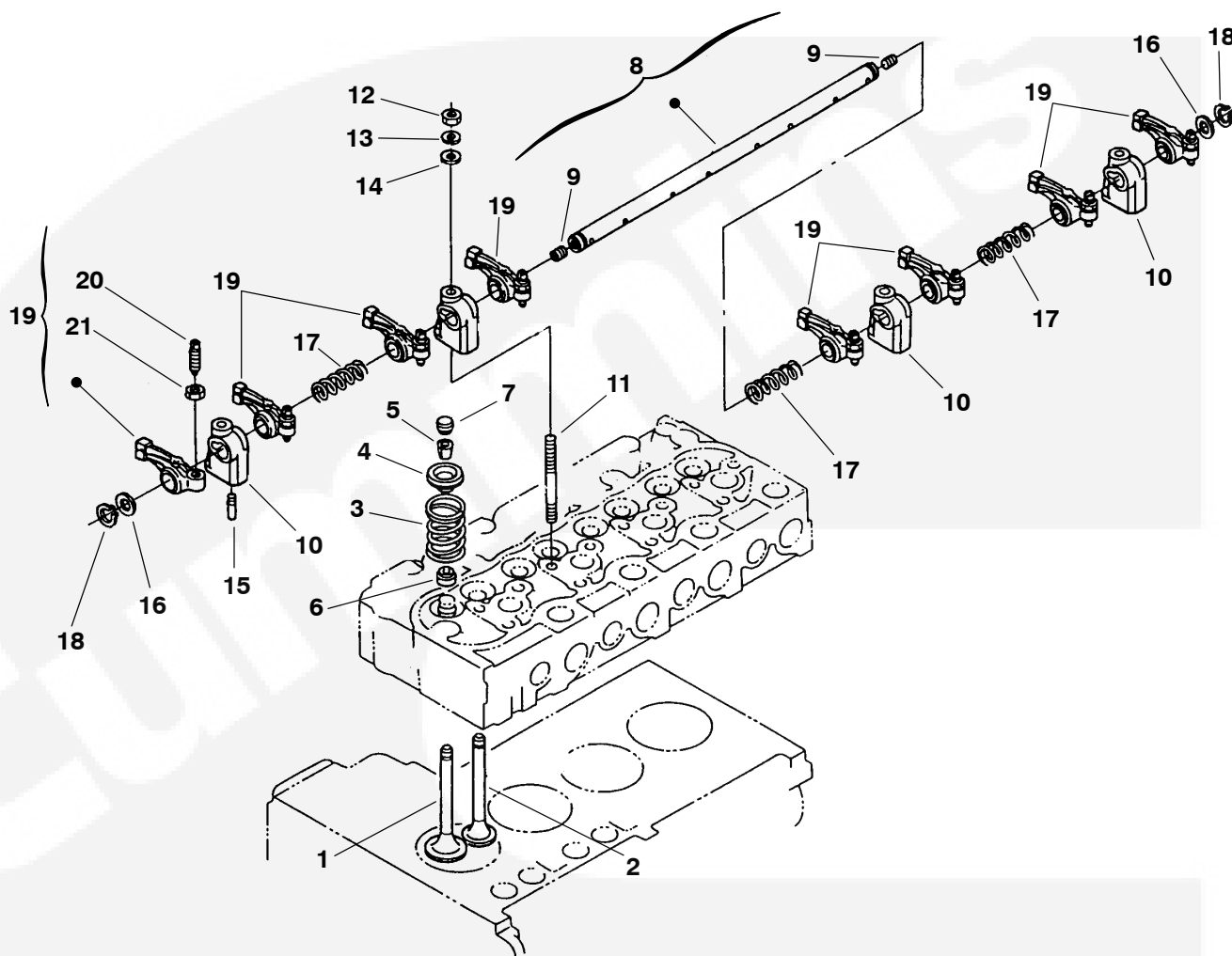
Cylinder Head



REF NO.	PART NO.	QTY USED	PART DESCRIPTION	REF NO.	PART NO.	QTY USED	PART DESCRIPTION
1	185-2106	1	Stud	7	185-5863	4	*Guide, Exhaust Valve
	185-6048	1	MDKAD	8	185-5868	1	Washer (With Rubber)
2			Head Assy, Cylinder (Includes Parts Marked *)	9	185-5867	1	Plug
	185-6763	1	MDKAD	10	185-5865	18	Bolt, Cylinder Head
	185-5860	1	MDKAE	11			Gasket, Cylinder Head
3	185-2188	2	*Plug		185-6764	1	MDKAD
4	185-5861	12	*Cap, Sealing		185-5866	1	MDKAE
5	185-2412	1	*Cap, Sealing	12	185-2095	1	O'Ring
6	185-5862	4	*Guide, Inlet Valve				

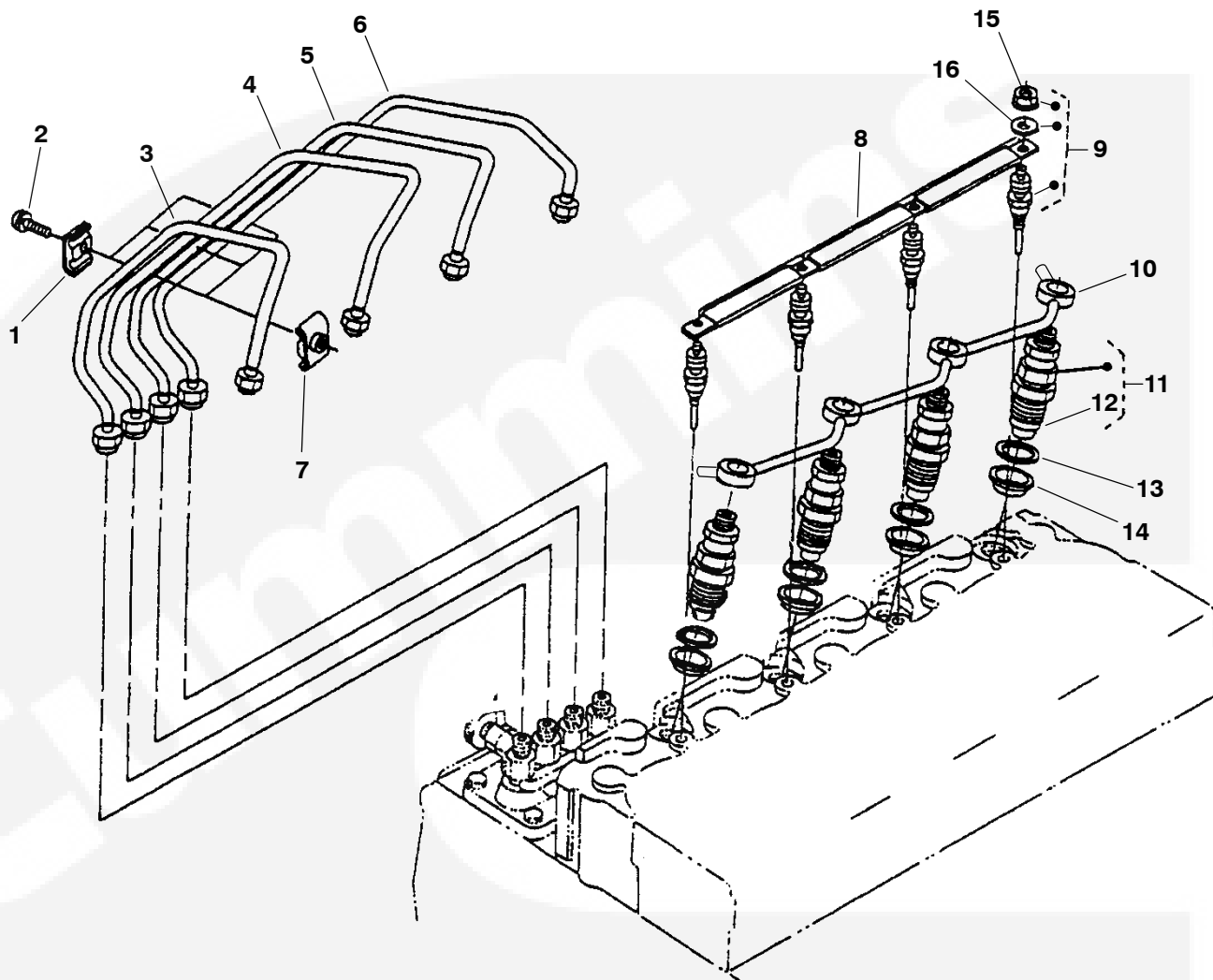
* - Parts Included in Cylinder Head Assy.

Rocker Arm



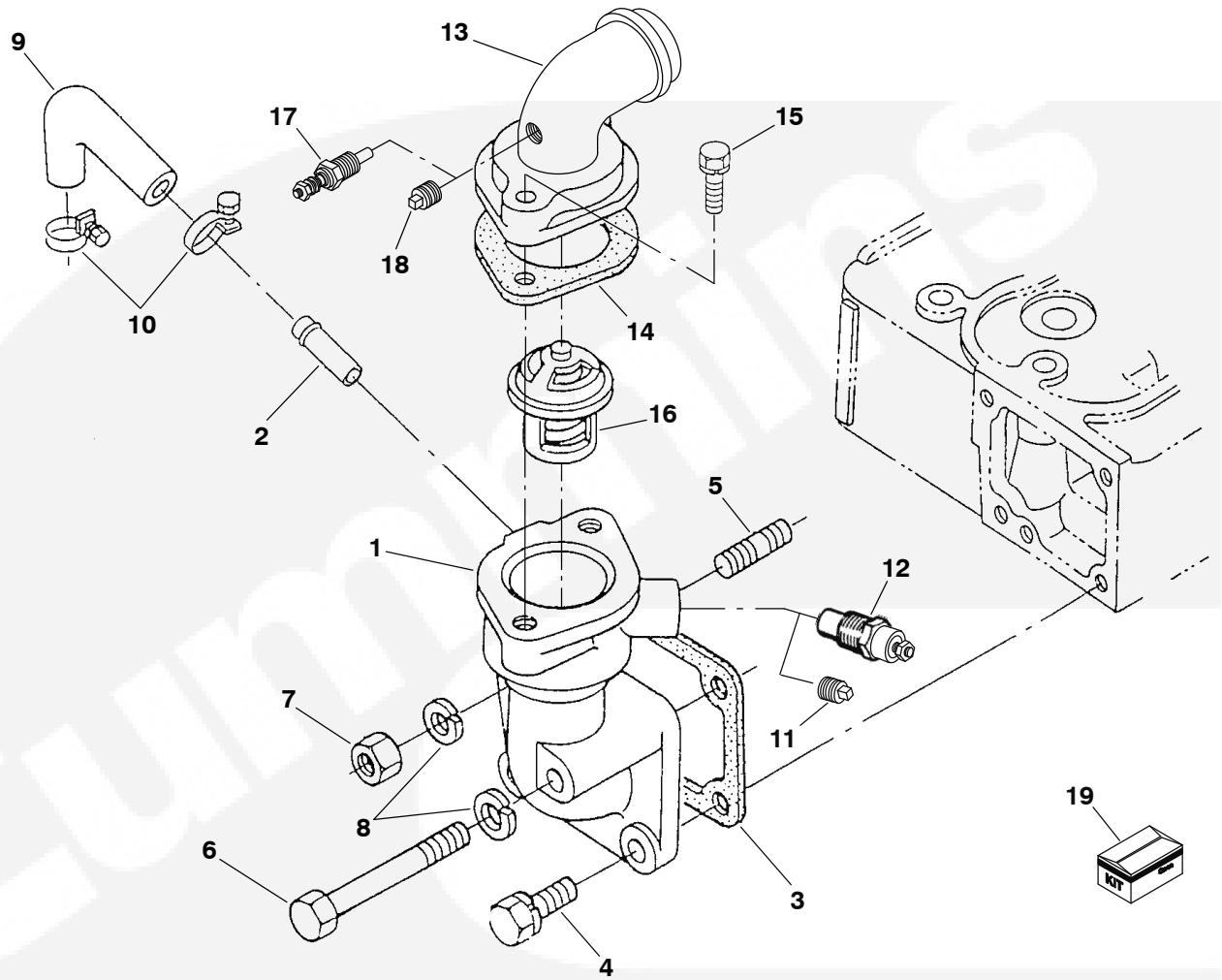
REF NO.	PART NO.	QTY USED	PART DESCRIPTION	REF NO.	PART NO.	QTY USED	PART DESCRIPTION
1	185-6107	4	Valve, Inlet	12	185-2367	4	Nut
2	185-6108	4	Valve, Exhaust	13	185-3281	4	Washer, Spring
3	185-6016	8	Spring, Valve	14	740-1006	4	Washer, Flat
4	185-6017	8	Retainer, Valve Spring	15	185-6789	1	Pin, Spring
5	110-3584	8	Collet, Valve Spring	16	185-6025	2	Washer, Rocker Arm Shaft
6	185-6018	8	Seal, Valve Stem	17	185-6026	3	Spring, Rocker Arm
7	185-6019	8	Cap, Valve	18	185-6027	2	Ring, External Retaining
8	185-6020	1	Shaft Assy, Rocker Arm (Includes Set Screws)	19	185-6028	8	Arm Assy, Rocker (Includes Screw and Nut)
9	185-6021	2	Screw, Set	20	185-6029	8	Screw, Adjusting
10	185-6022	4	Bracket, Rocker Arm	21	185-6030	8	Nut
11	185-6023	4	Stud				

Nozzle Holder



REF NO.	PART NO.	QTY USED	PART DESCRIPTION	REF NO.	PART NO.	QTY USED	PART DESCRIPTION
1	185-2345	3	Clamp, Pipe	10	185-6731	1	Pipe, Overflow
2	185-2385	3	Screw (With Washer)	11			Holder Assy, Nozzle (Includes Nozzle)
3	185-5986	1	Pipe, Injection		185-6094	4	MDKAD
4	185-5987	1	Pipe, Injection		185-6752	4	MDKAE
5	185-5988	1	Pipe, Injection	12	185-6095	4	Nozzle
6	185-5989	1	Pipe, Injection	13	185-5337	4	Gasket, Nozzle
7	185-5612	3	Clamp, Pipe	14	185-5985	4	Seal, Heat
8	185-5991	1	Cord, Glow Plug	15	185-5615	1	Nut
9			Plug, Glow	16	185-7004	1	Washer
	185-5990	4	12V				
	185-6725	4	24V				

Water Outlet Flange

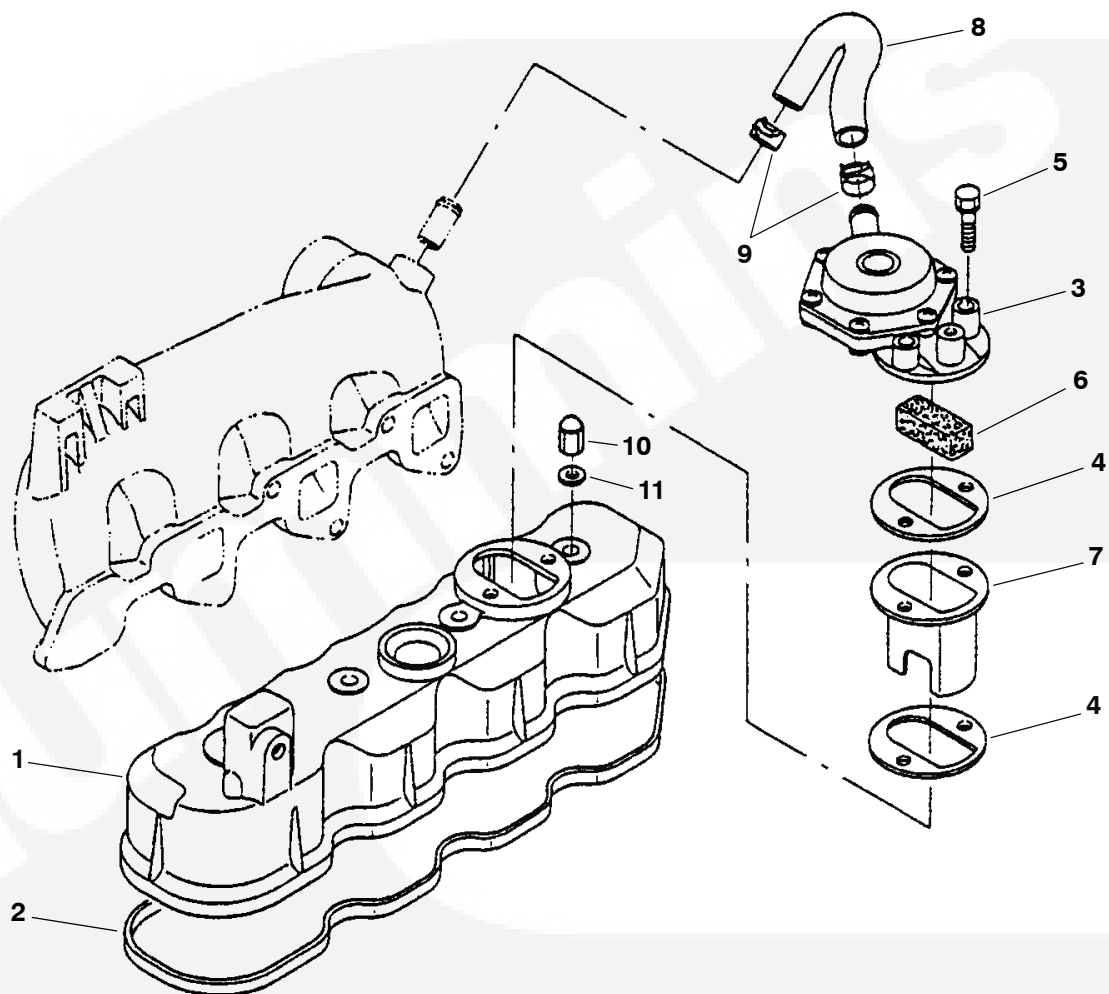


REF NO.	PART NO.	QTY USED	PART DESCRIPTION	REF NO.	PART NO.	QTY USED	PART DESCRIPTION
1	185-6788	1	Flange, Water Outlet (Includes Pipe)	15	185-2365	2	Bolt
2	185-6103	1	Pipe, Water Return	16	185-6005	1	Thermostat
3	185-5999	1	Gasket	17			Sender, Water Temperature (E2)
4	185-2402	2	Bolt		193-0318	1	Negative Ground
5	185-2362	1	Stud		193-0457-01	1	Isolated Ground
6	185-5443	1	Bolt	18	505-0110	1	Plug, Square Head Pipe (3/8")
7	185-2367	1	Nut	19			*Kit, Sender (Includes Water Temperature Sender)
8	185-6957	2	Washer, Spring		300-5040	1	Negative Ground
9	185-6000	1	Pipe, Water Return		300-5041	1	Isolated Ground
10	185-6001	2	Band, Pipe				
11	185-5826	1	Plug				
12			*Switch, High Water Temperature (S2)				
	309-0601	1	Negative Ground				
	309-0576	1	Isolated Ground				
13	185-6003	1	Cover, Thermostat				
14	185-6004	1	Gasket, Thermostat Cover				

* - Kit Also Includes Oil Pressure Sender Listed on Oil Pan Page.

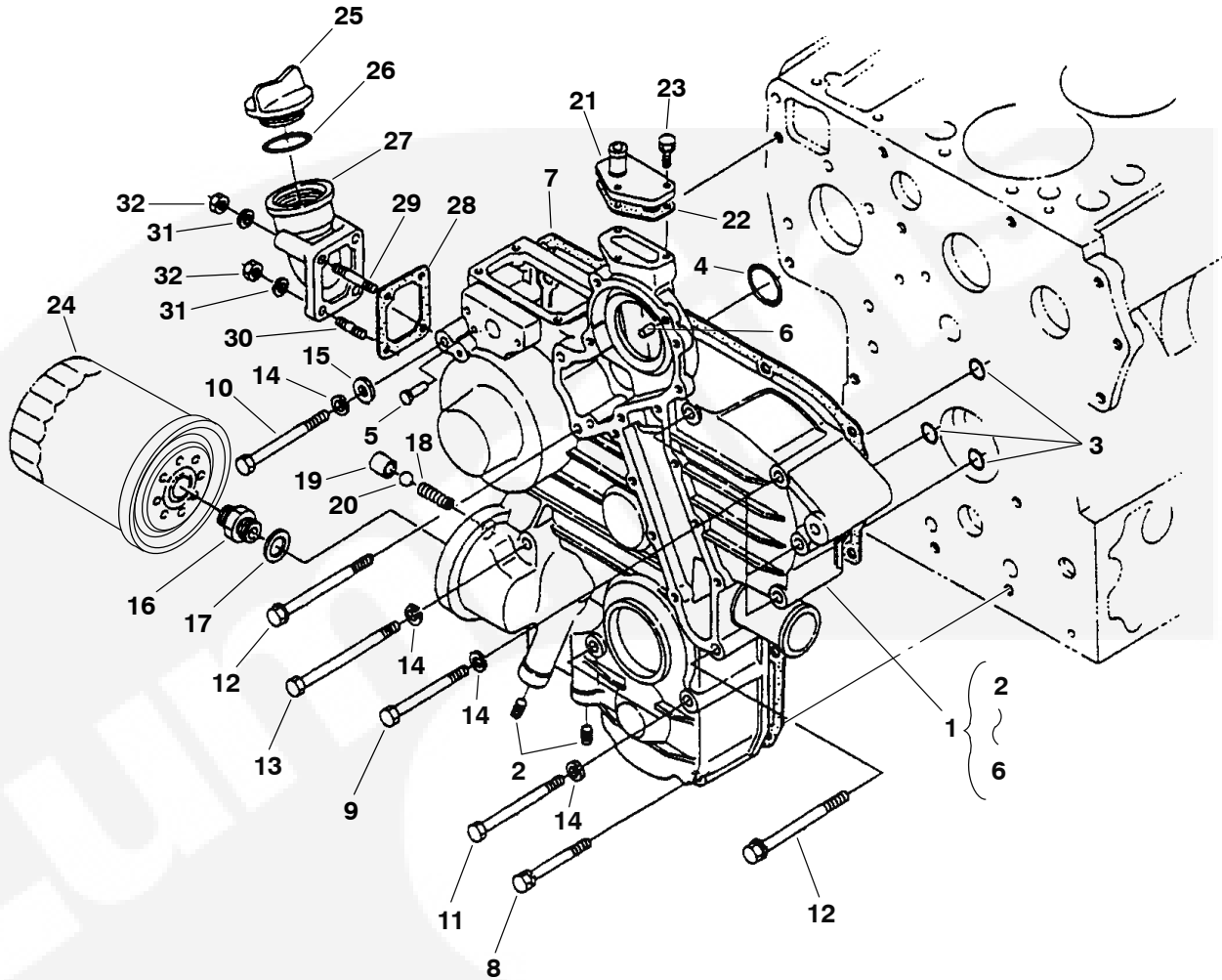
+ - Switch Included in Isolated Ground Kit Listed on Isolated Ground Page.

Cylinder Head Cover



REF NO.	PART NO.	QTY USED	PART DESCRIPTION	REF NO.	PART NO.	QTY USED	PART DESCRIPTION
1	185-6716	1	Cover, Cylinder Head	7	185-6718	1	Plate
2	185-5887	1	Gasket, Cover	8	185-6719	1	Tube, Breather
3	185-6720	1	Breather	9	185-6722	2	Clamp, Hose
4	185-6717	2	Gasket, Breather	10	185-5888	4	Nut, Cap
5	185-2566	2	Bolt	11	185-2338	4	Gasket
6	185-6502	1	Element, Breather				

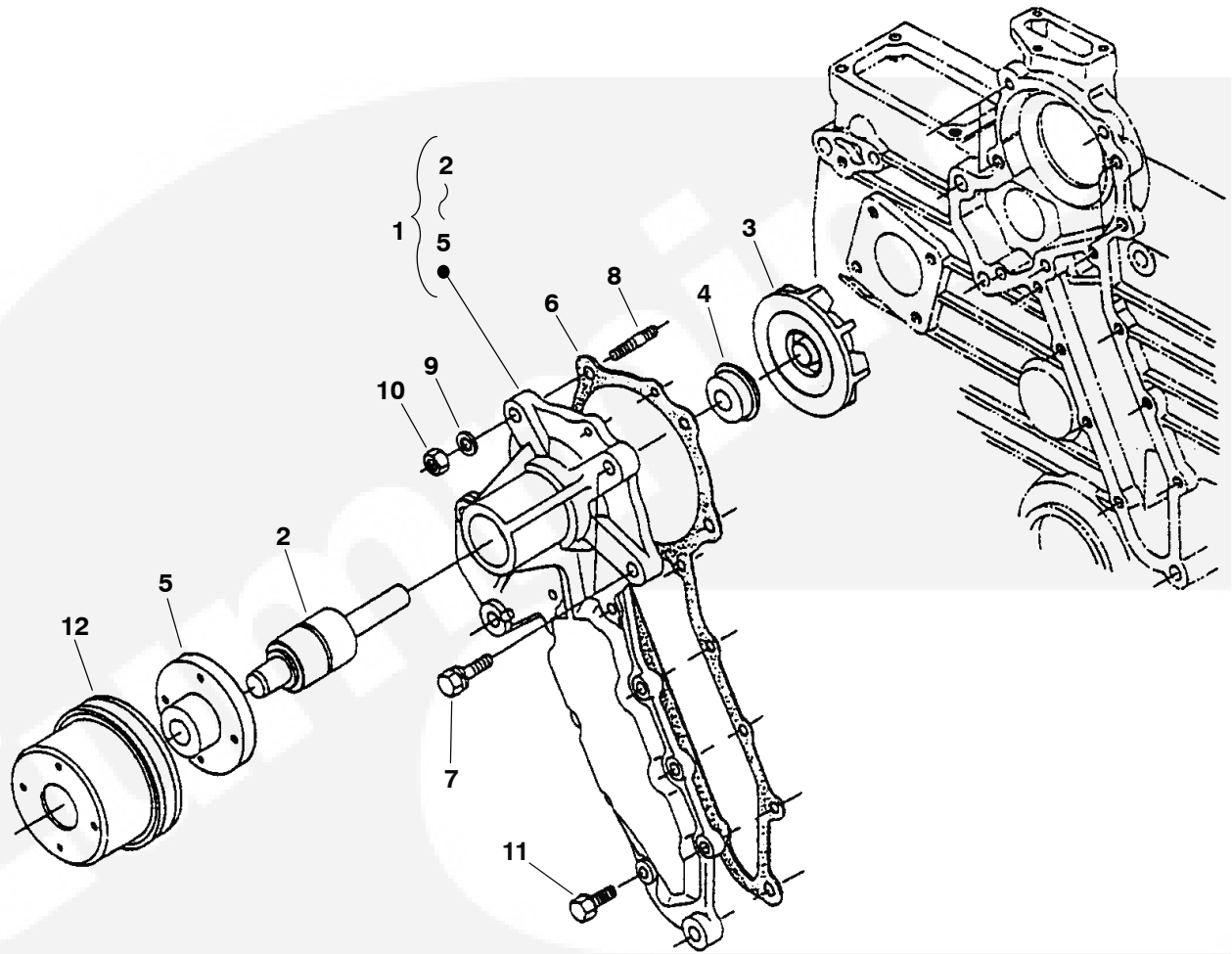
Gearcase



REF NO.	PART NO.	QTY USED	PART DESCRIPTION	REF NO.	PART NO.	QTY USED	PART DESCRIPTION
1	185-6765	1	Gearcase Assy (Includes Parts Marked *)	18	185-5877	1	Spring
2	185-5505	2	*Plug	19	185-5878	1	Seat, Valve
3	185-5869	3	*O'Ring	20	185-6711	1	Ball
4	185-5870	1	*O'Ring	21	185-5879	1	Flange, Water Return
5	185-6197	1	*Pin, Start Spring	22	185-5880	1	Gasket
6	185-5843	2	*Pin, Straight	23	185-2390	3	Bolt
7	185-5871	1	Gasket	24	122-0810	1	Filter, Oil
8	185-2405	2	Bolt	25	185-5407	1	Plug, Oil Fill
9	185-5443	5	Bolt	26	185-2349	1	O'Ring
10	185-5872	1	Bolt	27	185-6124	1	Flange, Oil Fill
11	185-5873	2	Bolt	28	185-6125	1	Gasket
12	185-5874	3	Bolt	29	185-6126	2	Stud (Top)
13	185-6078	2	Bolt	30	185-6127	2	Stud (Bottom)
14	185-6957	10	Washer, Spring	31	185-6759	4	Washer, Spring
15	740-1006	1	Washer, Flat	32	185-4255	4	Nut
16	185-5875	1	Joint, Pipe				
17	185-5876	1	Washer, Flat				

* - Parts Included in Gearcase Assy

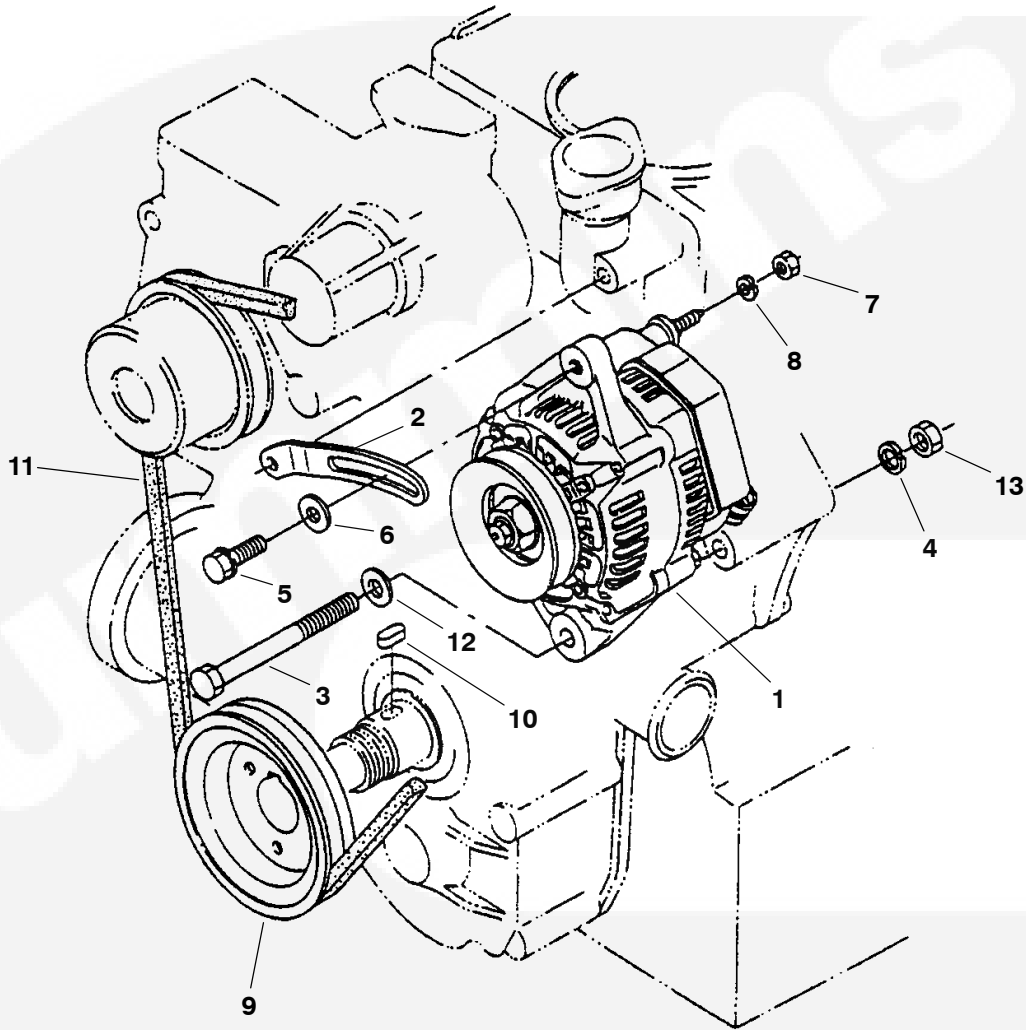
Water Pump



REF NO.	PART NO.	QTY USED	PART DESCRIPTION	REF NO.	PART NO.	QTY USED	PART DESCRIPTION
1	185-6006	1	Pump Assy, Water (Includes Parts Marked *)	8	185-6012	2	Stud
2	185-6007	1	*Bearing, Ball	9	185-2381	2	Washer, Spring
3	185-6008	1	*Impeller	10	185-2367	2	Nut
4	185-6009	1	*Seal	11	185-2389	8	Bolt
5	185-6010	1	*Flange	12	185-6013	1	Pulley
6	185-6011	1	Gasket				
7	185-2404	2	Bolt				

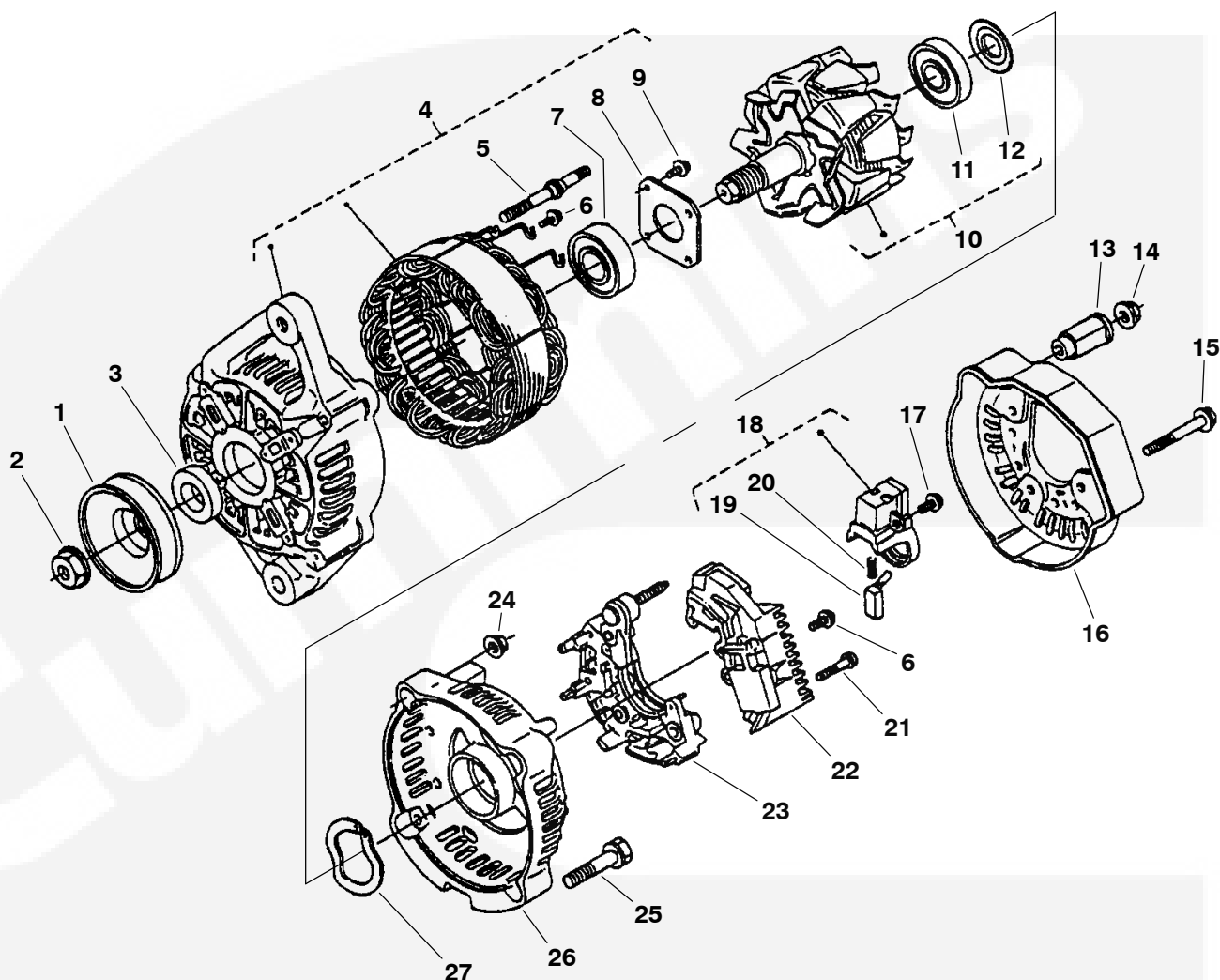
* - Parts Included in Water Pump Assy

Alternator (Negative Ground)



REF NO.	PART NO.	QTY USED	PART DESCRIPTION	REF NO.	PART NO.	QTY USED	PART DESCRIPTION
1			Alternator, Complete (See Separate Page for Components)	4	185-6785	1	Washer, Spring
	185-5994	1	12V	5	185-2564	1	Bolt
	185-6724	1	24V	6	185-6786	1	Washer, Flat
2			Bracket, Adjusting	7	185-4255	1	Nut
	185-6182	1	12V	8	185-2380	1	Washer, Spring
	185-6733	1	24V	9	185-6730	1	Pulley, Fan Drive
3			Bolt	10	185-5905	1	Key
	185-6734	1	MDKAD	11	185-6184	1	Belt
	185-6183	1	MDKAE	12	185-6185	1	Washer, Flat
				13	185-6787	1	Nut

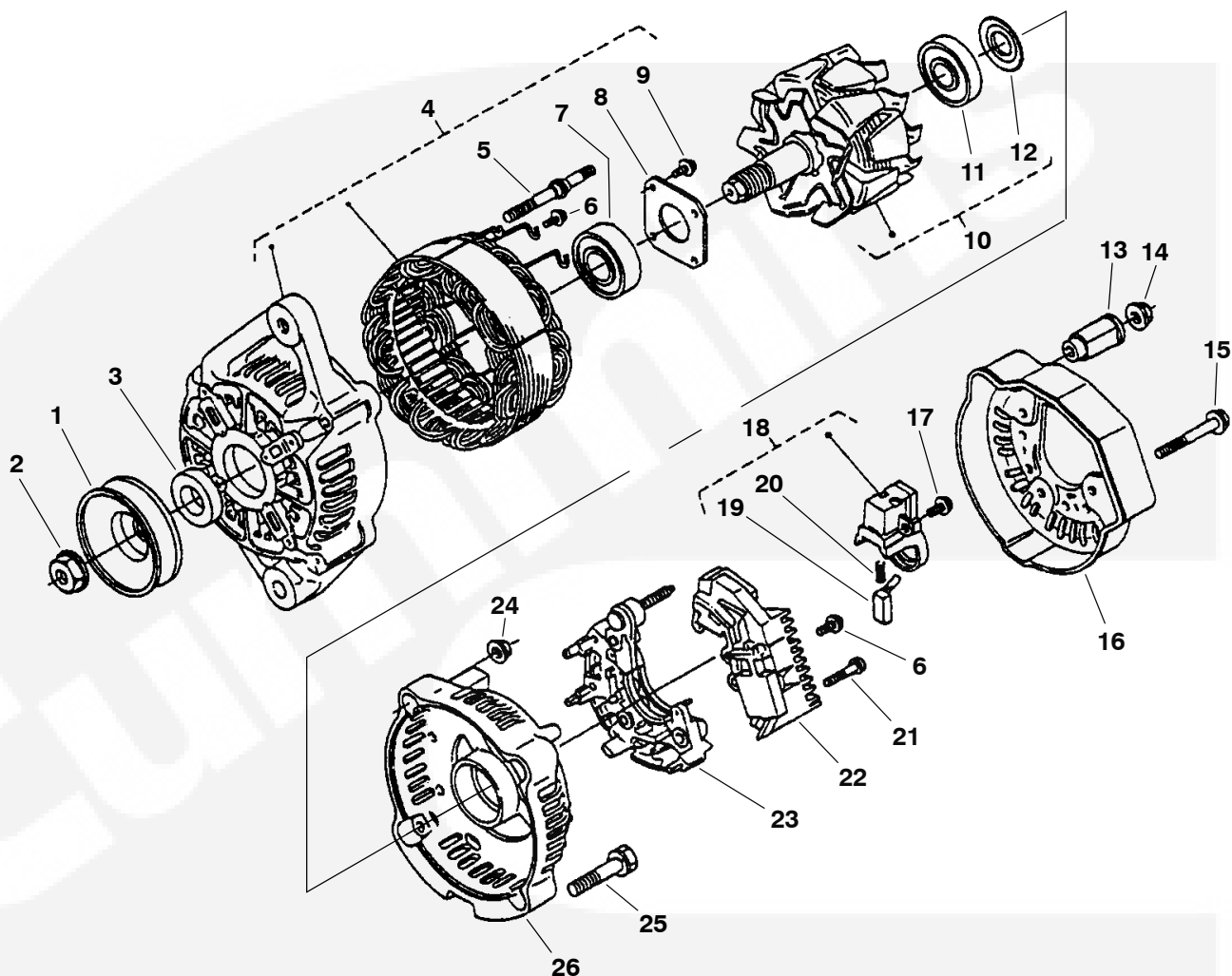
Alternator Components (Negative Ground) (12V)



REF NO.	PART NO.	QTY USED	PART DESCRIPTION	REF NO.	PART NO.	QTY USED	PART DESCRIPTION
	185-5994	1	Alternator (12V)	16	185-6189	1	Cover, End
1	185-6186	1	Pulley	17	185-5787	1	Screw, Round Head
2	185-5768	1	Nut	18	185-5782	1	Holder Assy, Brush (Includes Brushes and Springs)
3	185-5769	1	Collar	19	185-5783	2	Brush
4	185-5773	1	Frame, Drive End (Includes Parts Marked *)	20	185-5784	2	Spring, Brush
5	185-5776	2	*Bolt, Through	21	185-5785	2	Screw, Round Head
6	185-5786	6	Screw, Round Head	22	185-5791	1	Regulator
7	185-5777	1	*Bearing	23	185-6190	1	Rectifier
8	185-5774	1	*Plate, Retainer	24	185-5789	2	Nut
9	185-5775	4	*Screw, Round Head	25	185-5790	2	Bolt
10	185-5770	1	Rotor (Includes Bearing and Cover)	26	185-6188	1	Frame, End
11	185-5772	1	Bearing	27	185-6187	1	Washer, Thrust
12	185-5771	1	Cover, Bearing				
13	185-6191	1	Insulation, Brush				
14	185-2961	1	Nut				
15	185-5788	3	Bolt				

* - Parts Included in Drive End Frame

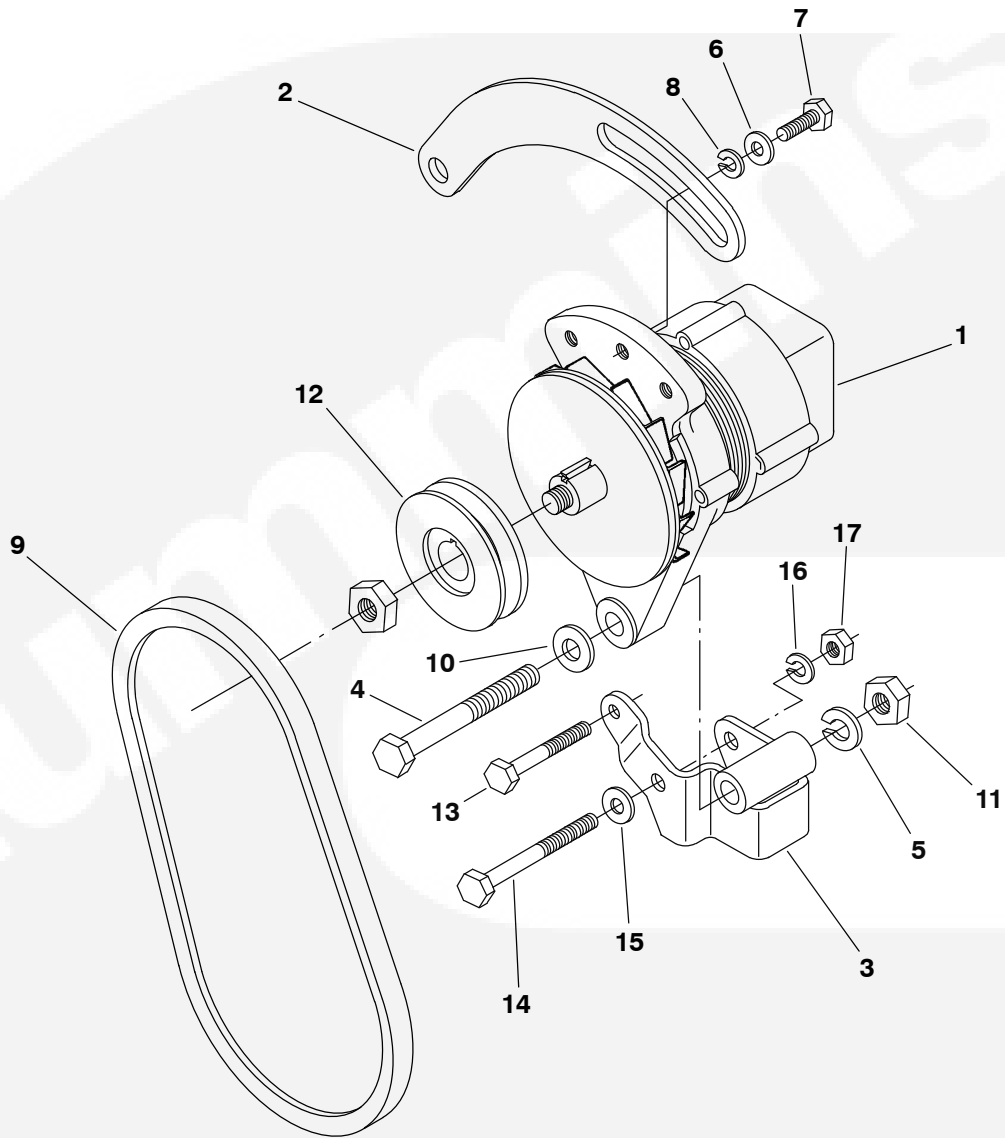
Alternator Components (Negative Ground) (24V)



REF NO.	PART NO.	QTY USED	PART DESCRIPTION	REF NO.	PART NO.	QTY USED	PART DESCRIPTION
	185-6724	1	Alternator (24V)	15	185-5788	3	Bolt
1	185-6809	1	Pulley	16	185-6815	1	Cover, End
2	185-5768	1	Nut	17	185-5787	1	Screw, Round Head
3	185-5769	1	Collar	18	185-6819	1	Holder Assy, Brush (Includes Brushes and Springs)
4	185-6812	1	Frame, Drive End (Includes Parts Marked *)	19	185-5783	2	Brush
5	185-5776	2	*Bolt, Through	20	185-5784	2	Spring, Brush
6	185-5786	6	Screw, Round Head	21	185-5785	2	Screw, Round Head
7	185-6813	1	*Bearing	22	185-6820	1	Regulator
8	185-5774	1	*Plate, Retainer	23	185-6816	1	Rectifier
9	185-5775	4	*Screw, Round Head	24	185-5789	2	Nut
10	185-6810	1	Rotor (Includes Bearing and Cover)	25	185-5790	2	Bolt
11	185-6811	1	Bearing	26	185-6814	1	Frame, End
12	185-5771	1	Cover, Bearing				
13	185-5781	1	Insulation, Brush				
14	185-2961	1	Nut				

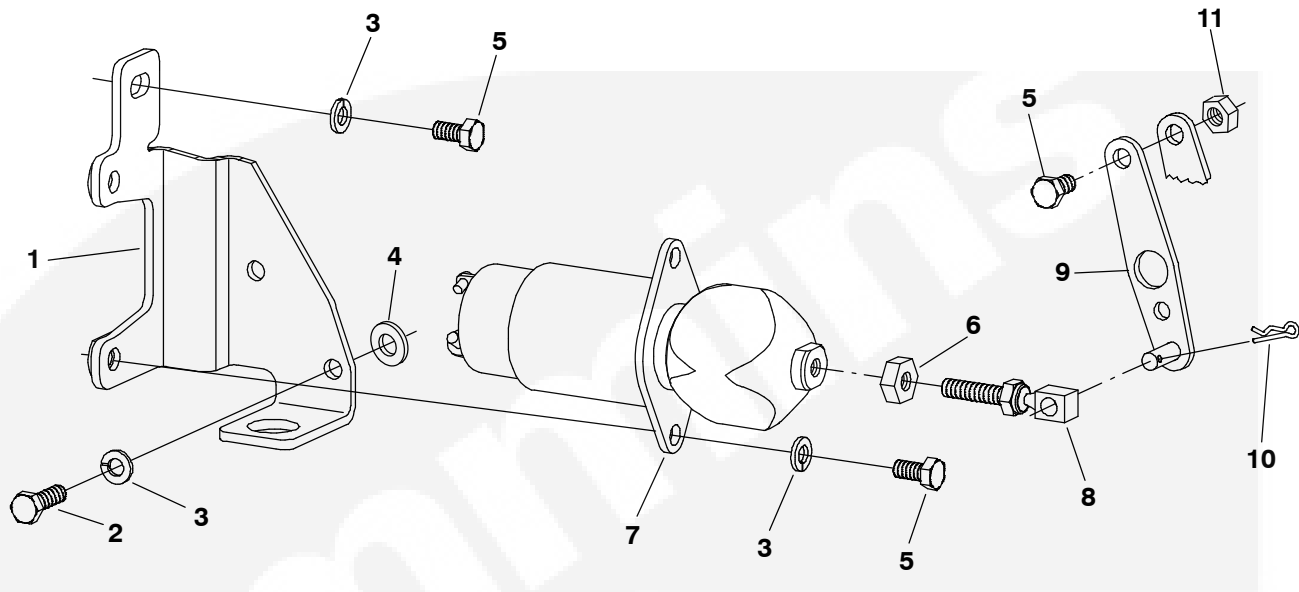
* - Parts Included in Drive End Frame

Alternator (Isolated Ground)



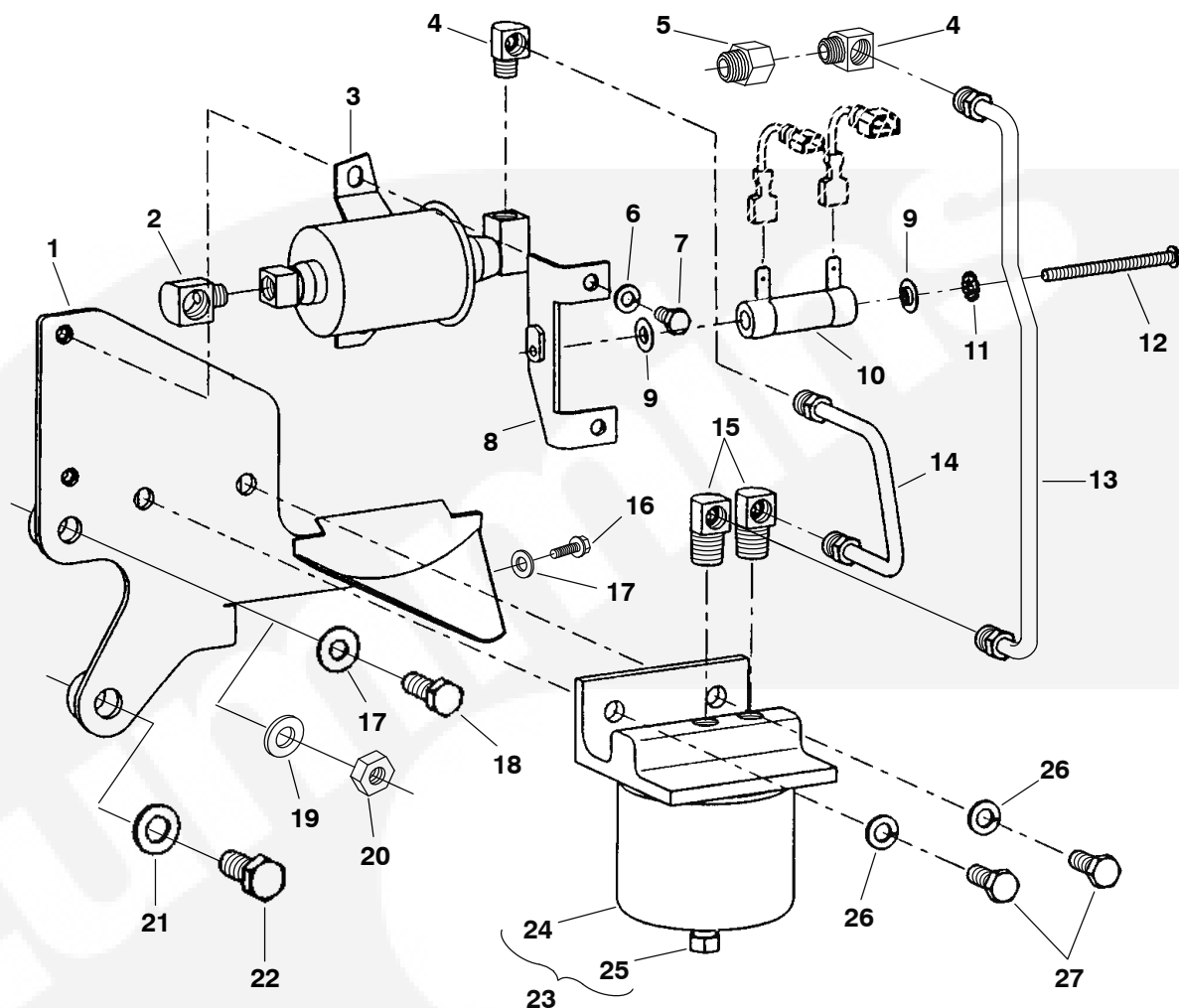
REF NO.	PART NO.	QTY USED	PART DESCRIPTION	REF NO.	PART NO.	QTY USED	PART DESCRIPTION
1			Alternator, Complete (No Components Available)	8	850-0045	1	Washer, Lock (5/16")
	191-2169-02	1	12V	9	511-0186	1	V-Belt
	191-2169-01	1	24V	10	526-0219	1	Washer, Flat (1/2")
2	191-2168-03	1	Bracket, Adjusting	11	862-0016	1	Nut (1/2-13)
3	191-2167-03	1	Bracket, Alternator	12	191-2170	1	Pulley, Alternator
4	800-0104	1	Screw, Hex Head Cap (1/2-13 x 4-1/2")	13	800-2071	1	Screw, Hex Head Cap (M8 x 90mm)
5	850-0060	1	Washer, Lock (1/2")	14	800-2100	1	Screw, Hex Head Cap (M10 x 100)
6	526-0045	1	Washer, Flat (5/16")	15	526-2120	1	Washer, (M10)
7	800-0027	1	Screw, Hex Head Cap (5/16-18 x 7/8")	16	850-2010	1	Washer, Lock (M10)
				17	860-2009	1	Nut, Hex (M8 x 90mm)

Stop Solenoid



REF NO.	PART NO.	QTY USED	PART DESCRIPTION	REF NO.	PART NO.	QTY USED	PART DESCRIPTION
1	307-2808-02	1	Bracket, Solenoid	7			Solenoid, Stop (K7)
2	800-2034	2	Screw, Hex Head Cap (M6 x 1 x 20mm)	307-2820	1	1	12V
3	850-2006	5	Washer, Lock (M6)	307-2820-01	1	1	24V
4	526-2081	2	Washer, Flat (M6)	8	150-2579	1	Swivel, Ball Joint
5	800-2029	3	Screw, Hex Head Cap (M6 x 1 x 12mm)	9	150-2567-03	1	Lever, Stop
6	115-0025	1	Nut, Tappet (1/4-28)	10	518-0656	1	Clip, Linkage
				11	870-2054	1	Nut, Lock Flange (M6 x 1)

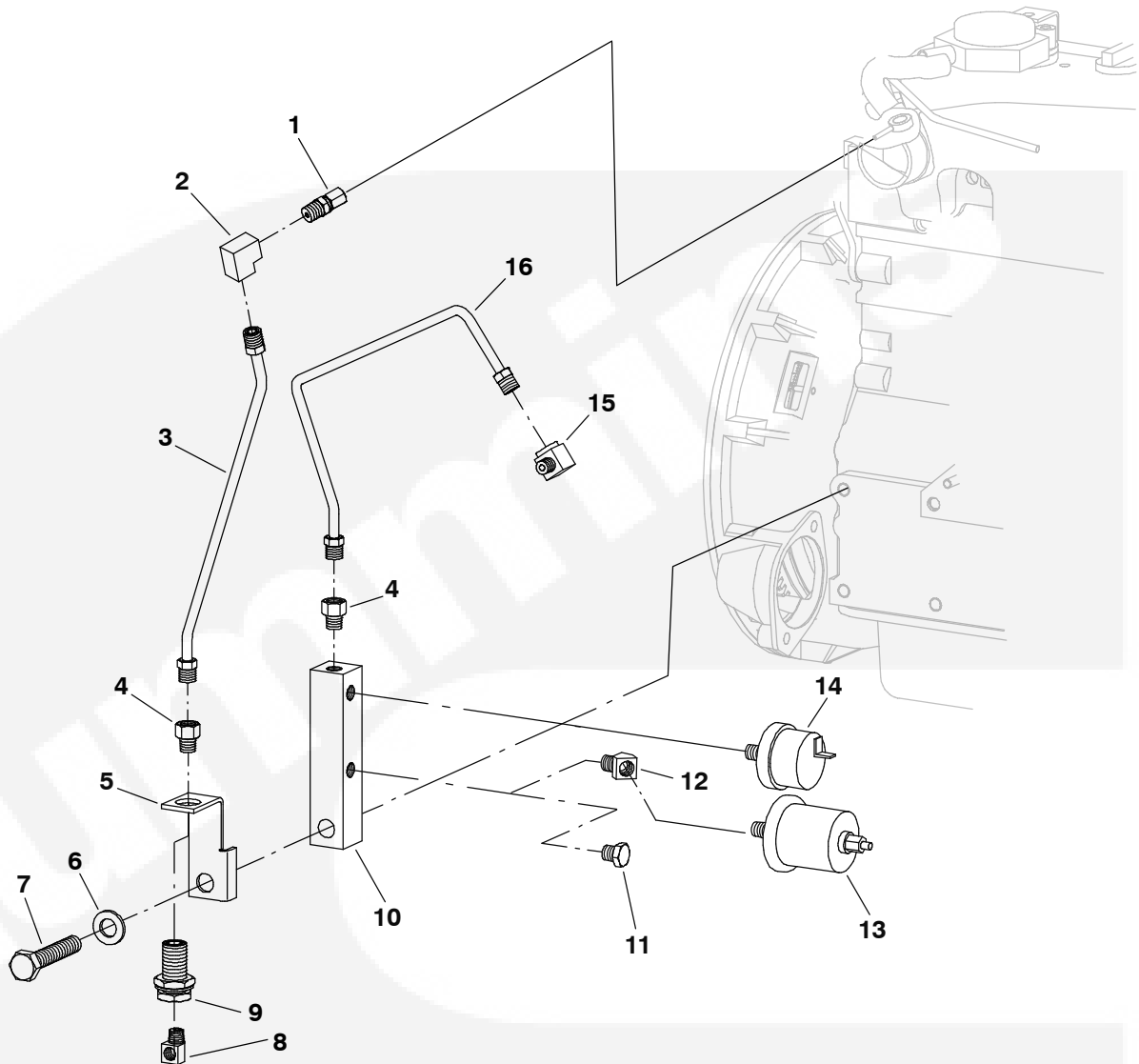
Fuel Pump



REF NO.	PART NO.	QTY USED	PART DESCRIPTION	REF NO.	PART NO.	QTY USED	PART DESCRIPTION
1	149-2531-04	1	Bracket, Fuel Pump	17	526-2120	2	Washer, Flat (M10) (W/O PTO)
2	502-0099	1	Elbow, Street Pipe	18	800-3005	1	Screw, Hex Head Cap (M10 x 1.25 x 30mm) (W/O PTO)
3	149-2331-01	1	Pump, Electric Fuel (E5)	19	526-2106	1	*Washer, Flat (W/PTO)
4	502-0002	2	Elbow, Inverted Male	20	860-2008	1	*Nut (W/PTO)
5	502-0175	1	Adapter, Pipe	21	526-0399-64	1	Washer, Flat (M12)
6	850-2006	2	Washer, Lock (M6)	22	800-3032	1	Screw, Hex Head Cap (M12 x 1.25 x 30mm)
7	800-2031	2	Screw, Hex Head Cap (M6 x 1 x 14mm)	23	149-2100	1	Filter, Fuel (Includes Element Plug and)
8	304-0828-02	1	Bracket, Resistor (24V)	24	149-2106	1	Element
9	304-0796	2	Washer, Centering (24V)	25	502-0028	1	Plug, Drain
10	350-1238	1	Resistor (24V) (R6)	26	850-2008	2	Washer, Lock (M8)
11	856-0003	1	Washer, EIT (#10) (24V)	27	800-2057	2	Screw, Hex Head Cap (M8 x 1.25 x 20mm)
12	813-0112	1	Screw, Round Head Machine (#10-32 x 2.5") (24V)				
13	149-2437	1	Line, Fuel				
14	149-2436	1	Line, Fuel				
15	502-0041	2	Elbow, Inverted Male				
16	815-0904	1	Screw, Hex Head Cap (M10 x 1.25 x 20mm)				

* - Parts Included in PTO Kit Found on PTO Page.

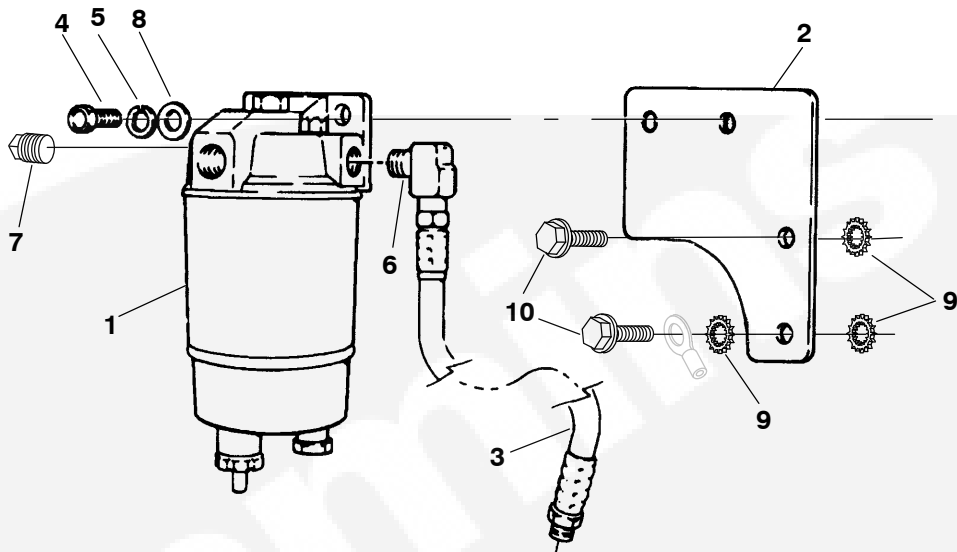
Fuel Return/Oil Sender



REF NO.	PART NO.	QTY USED	PART DESCRIPTION	REF NO.	PART NO.	QTY USED	PART DESCRIPTION
1	502-1245	1	Adapter, Pipe	13			Sender, Oil Pressure (E1)
2	502-0005	1	Elbow, Inverted Female	193-0244	1		Negative Ground
3	149-2488	1	Line, Fuel Return	193-0430-01	1		Isolated Ground
4	502-0003	2	Connector, Inverted Male	14			Switch, Oil Pressure (S4)
5	149-2489-03	1	Support, Fuel Return	309-0641-05	1		Negative Ground
6	526-0399-64	1	Washer, Flat (M12)	309-0641-03	1		Isolated Ground
7	800-3029	1	Screw, Hex Head Cap (M12 x 1.25 x 45mm)	15	502-1309	1	Elbow, Male
8	502-0020-01	1	Elbow, Street Pipe	16	122-0813	1	Line, Oil
9	502-1244	1	Coupling, Anchor				
10	120-1319	1	Manifold, Oil Pressure				
11	502-0028	1	Plug, Hex Head Pipe				
12			Elbow, Street Pipe 45°				
	502-0053	1	Negative Ground				
	502-0053	2	Isolated Ground				

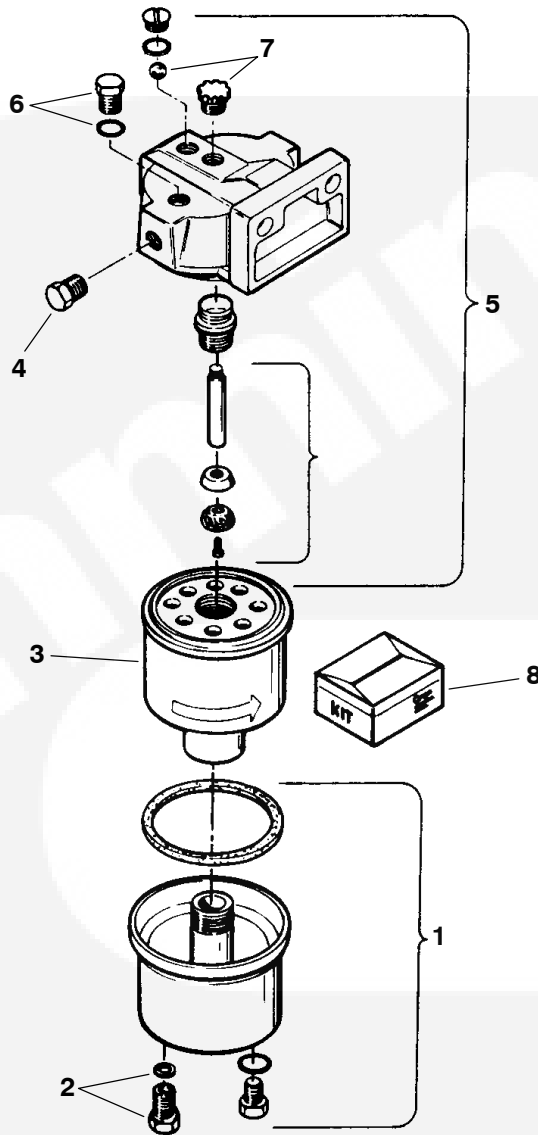
* - Part Included in Sender Kit Found on Water Outlet Flange Page.

Remote Water Separator



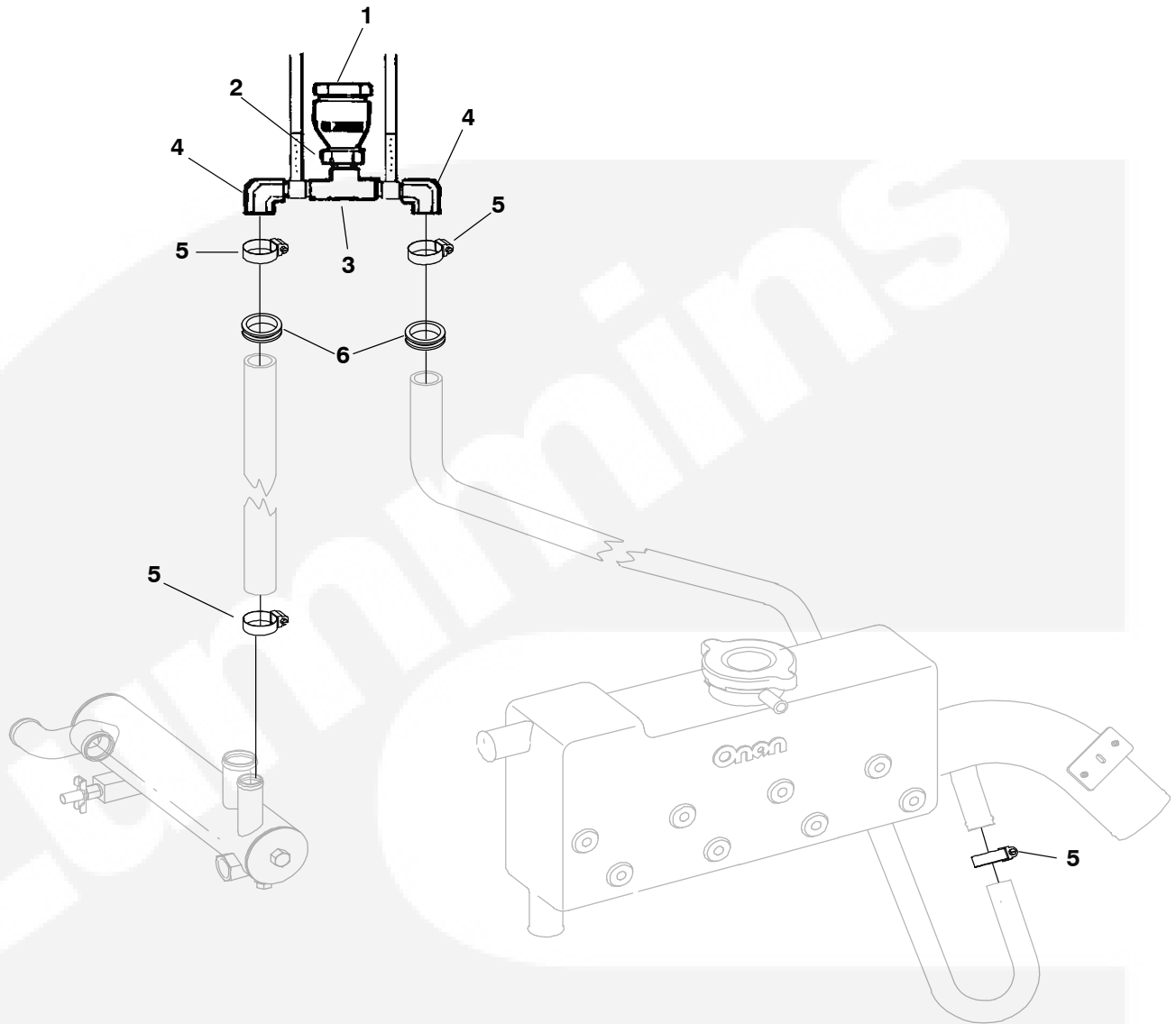
REF NO.	PART NO.	QTY USED	PART DESCRIPTION	REF NO.	PART NO.	QTY USED	PART DESCRIPTION
	149-2313	1	Kit, Remote Fuel/Water Separator	5	850-2008	2	Washer, Lock (M8)
1	149-1908-05	1	Separator, Fuel/Water (See Separate Page for Components)	6	502-0054	1	Elbow, Street 90° (1/4 NPT)
2	149-2312	1	Bracket, Separator Mounting	7	502-0153	1	Plug, Hex Pipe (1/4 NPT)
3	501-0578	1	Line, Flex Fuel	8	526-2100	2	Washer, Flat (M8)
4	800-2059	2	Screw, Hex Head Cap (M8 x 1.25 x 30mm)	9	856-0012	3	Washer, EIT (7/16")
				10	800-2087	2	Screw, Hex Head Cap (M10 x 1.5 x 30mm)

Water Separator Components



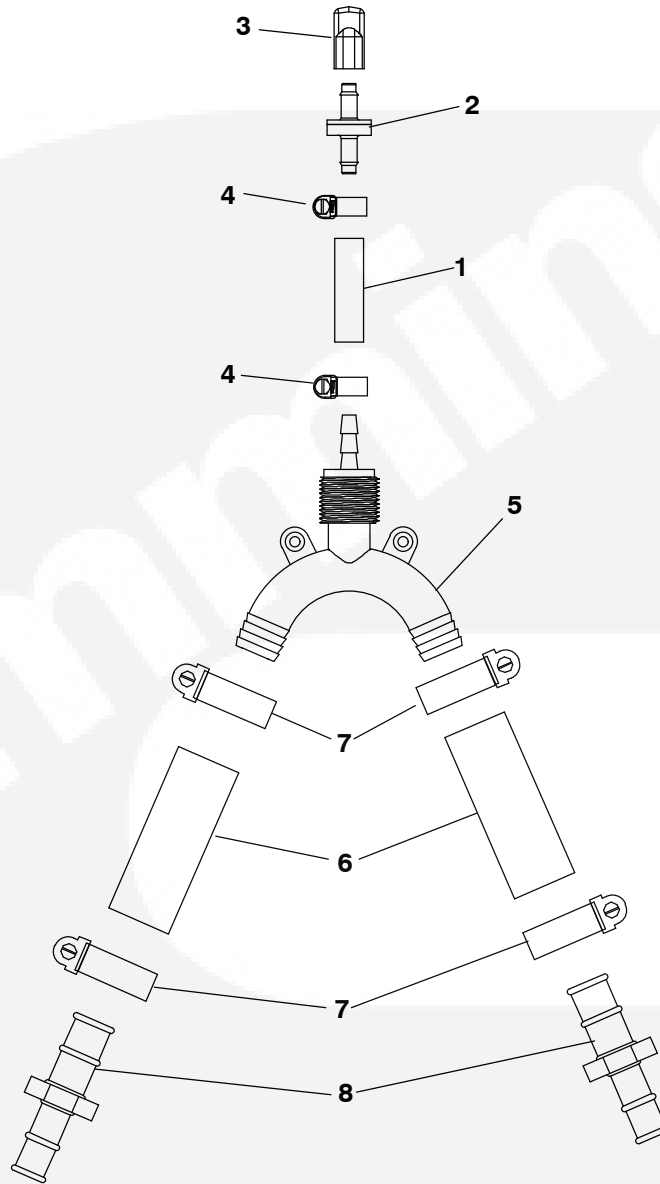
REF NO.	PART NO.	QTY USED	PART DESCRIPTION	REF NO.	PART NO.	QTY USED	PART DESCRIPTION
	149-1908-05	1	Separator, Water	6	149-1952	1	Plug, Vent (Includes O-Ring)
1	149-2046	1	Kit, Metal Bowl Replacement (Includes Plug, O-Rings and Drain Assy)	7	149-2047	1	Pump Assy (Includes Plunger, Retainer, Shaft, Check Ball, Knob and Screw)
2	149-1953	1	Drain Assy (Includes Knob and Seal)	8	149-2045	1	O'Ring Kit (Includes Seal and Plunger)
3	149-1914-05	1	Element (Includes Seals)				
4	502-0153	1	Plug, Hex (1/4")				
5	149-1949	1	Head Assy, Replacement (Includes Vent Plug, O-Rings, Seal, Cap, Tube and Pump Assy)				

Vacuum Relief Valve (Original)



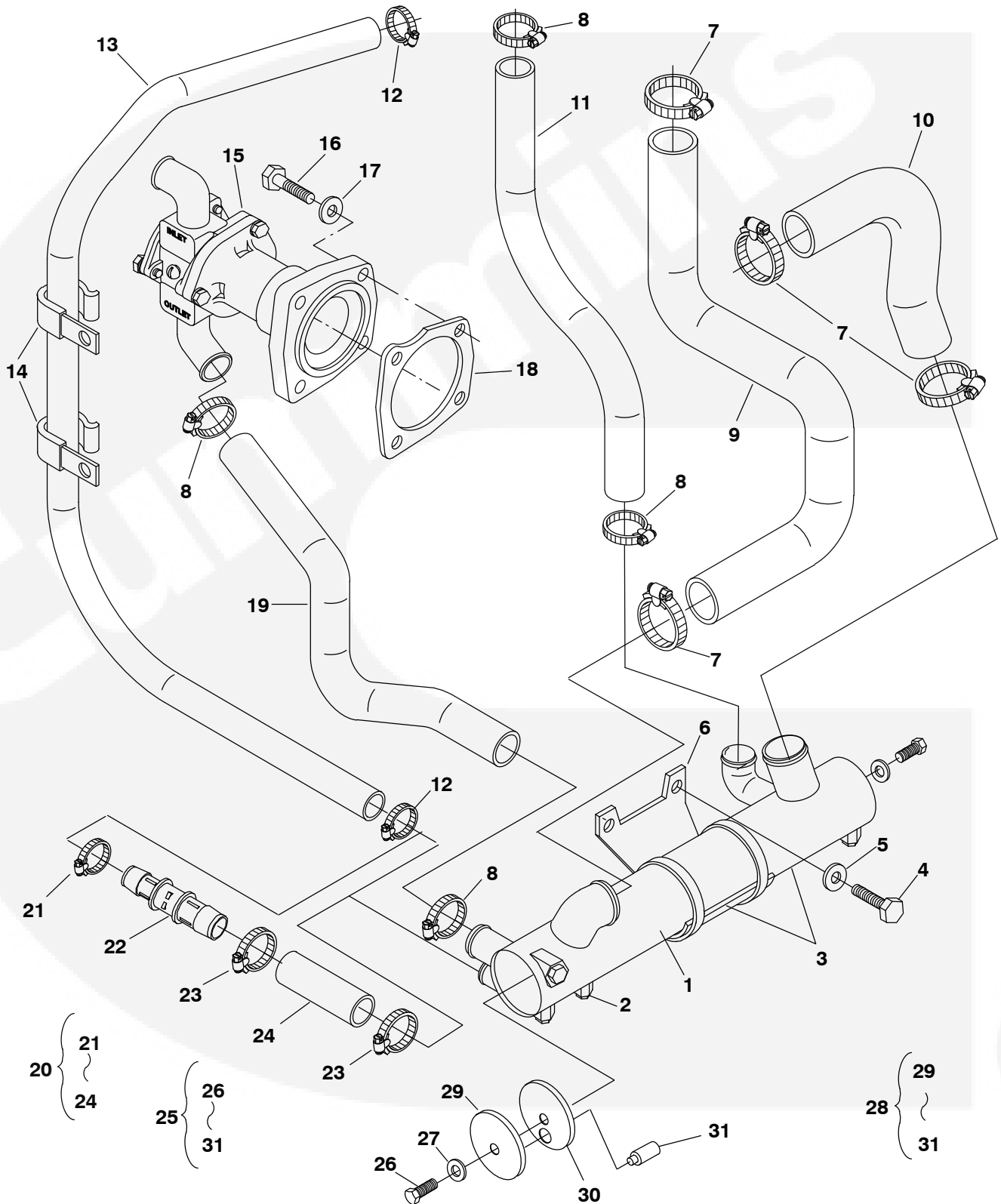
REF NO.	PART NO.	QTY USED	PART DESCRIPTION	REF NO.	PART NO.	QTY USED	PART DESCRIPTION
	155-2950	1	Kit, Siphon Break (Replaced by 541-0863-01)	3	502-0090	1	Tee (3/8")
1	504-0062	1	Valve, Vacuum Relief	4	502-0942	2	Elbow, 90 Hose (3/8 NPT X 5/8")
2	502-0270	1	Adapter, Pipe (3/8" x 1/2")	5	503-0977	4	Clamp, Hose (#10)
				6	508-1102	2	Grommet

Vacuum Relief Valve (Replacement)



REF NO.	PART NO.	QTY USED	PART DESCRIPTION	REF NO.	PART NO.	QTY USED	PART DESCRIPTION
	541-0863-01	1	Kit, Siphon Break Replaces (155-2950)	5	502-1463	1	Connector, Hose
1	503-2352	1	Hose, Coolant	6	503-2394	2	Hose, Water
2	504-0223	1	Valve, Check	7	503-0977	10	Clamp, Hose
3	502-1425-02	1	Cap, Tube	8	502-1450	2	Adapter, Hose
4	503-2309	2	Clamp, Hose	9	508-1102	2	Grommet, Rubber (Loose Pieces Not Shown)

Heat Exchanger



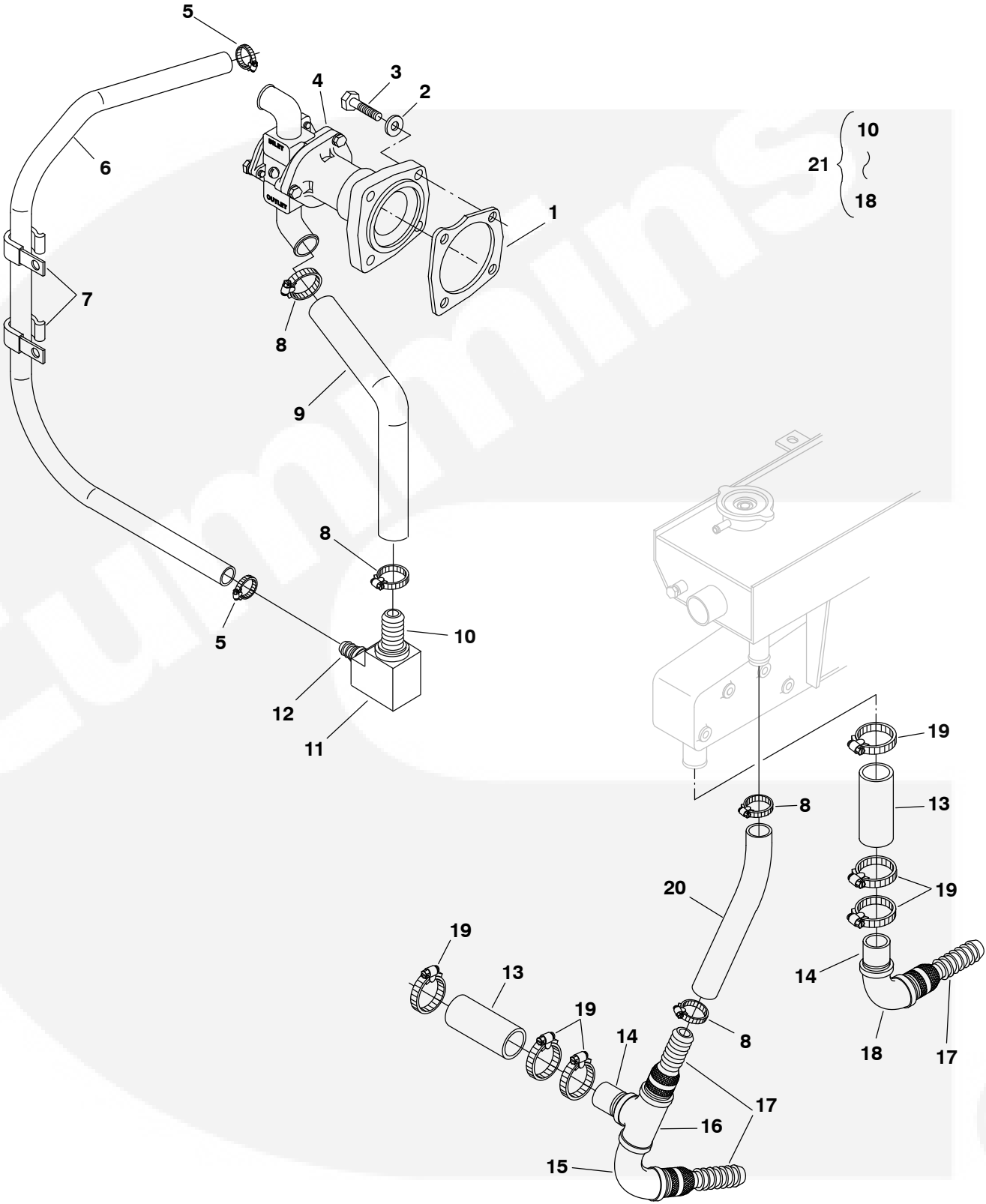
Heat Exchanger

REF NO.	PART NO.	QTY USED	PART DESCRIPTION	REF NO.	PART NO.	QTY USED	PART DESCRIPTION
1			Exchanger, Heat	17	526-2100	4	Washer, Flat (M8)
	130-4433-02	1	Spec A-B	18	132-0346	1	Gasket, Water Pump
	130-5006-02	1	Begin Spec C	19	503-1978	1	Hose, Water Pump (1")
2	130-4434	1	Pencil, Zinc (w/Screw)	20	130-5008	1	Kit, Heat Exchanger (Includes Connector, Hose and Clamps)
3	503-1143	2	Clamp, Hose (3")				(Adapt Old Hoses to New Heat Exchanger)
4	800-3030	2	Screw, Hex Head Cap (M10 x 1.25 x 20mm)	21	503-1134	1	Clamp, Hose
5	526-2120	2	Washer, Flat (M10)	22	503-2106	1	Connector, Reducer
6	130-4234-03	1	Bracket, Heat Exchanger	23	503-1135	2	Clamp, Hose
7	503-1138	4	Clamp, Hose (1-3/8")	24	503-1194	1	Hose, Rubber
8	503-1137	4	Clamp, Hose (1")	25	130-4979	1	Kit, Heat Exchanger Zinc Pencil (Includes Parts Marked +)
9	503-1977	1	Hose, Exhaust Manifold (1-3/8") (Includes Sleaving)	26	800-0317	2	+ Screw, Hex Head (5/16-18 x 3/4")
10	503-1896	1	Hose, Engine Coolant (1-3/8")	27	850-0165	2	+ Washer, Lock (18-8)
11			Hose, Coolant Tank Lower (1" x 22")	28	130-5012	1	+ Kit, End Cover (Includes Parts Marked *)
	503-1163	1	Spec A-B	29			Cover, Heat Exchanger
	503-0501	1	Begin Spec C	30	130-4962-01	1	+* W/Zinc Pencil Boss)
12	503-0977	2	Clamp, Hose				Gasket, Cover
13			Hose, Mixer		130-4960	1	+* W/Zinc Pencil Hole
	503-1562-02	1	Spec A-B (5/8 x 43")	31	130-4961	1	+*Pencil, Zinc (w/o Screw)
	503-2122	1	Begin Spec C (3/4 x 43")				
14	332-2634	2	Clamp, "J"				
15	132-0356	1	Pump, Raw Water (See Separate Page for Components)				
16	800-2057	4	Screw, Hex Head Cap (M8 x 1.25 x 20)				

+ - Parts Included in Heat Exchanger Zinc Pencil Kit.
 * - Parts Included in End Cover Kit.



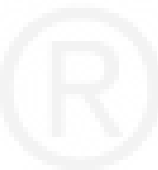
Keel Cooling (Wet Exhaust)



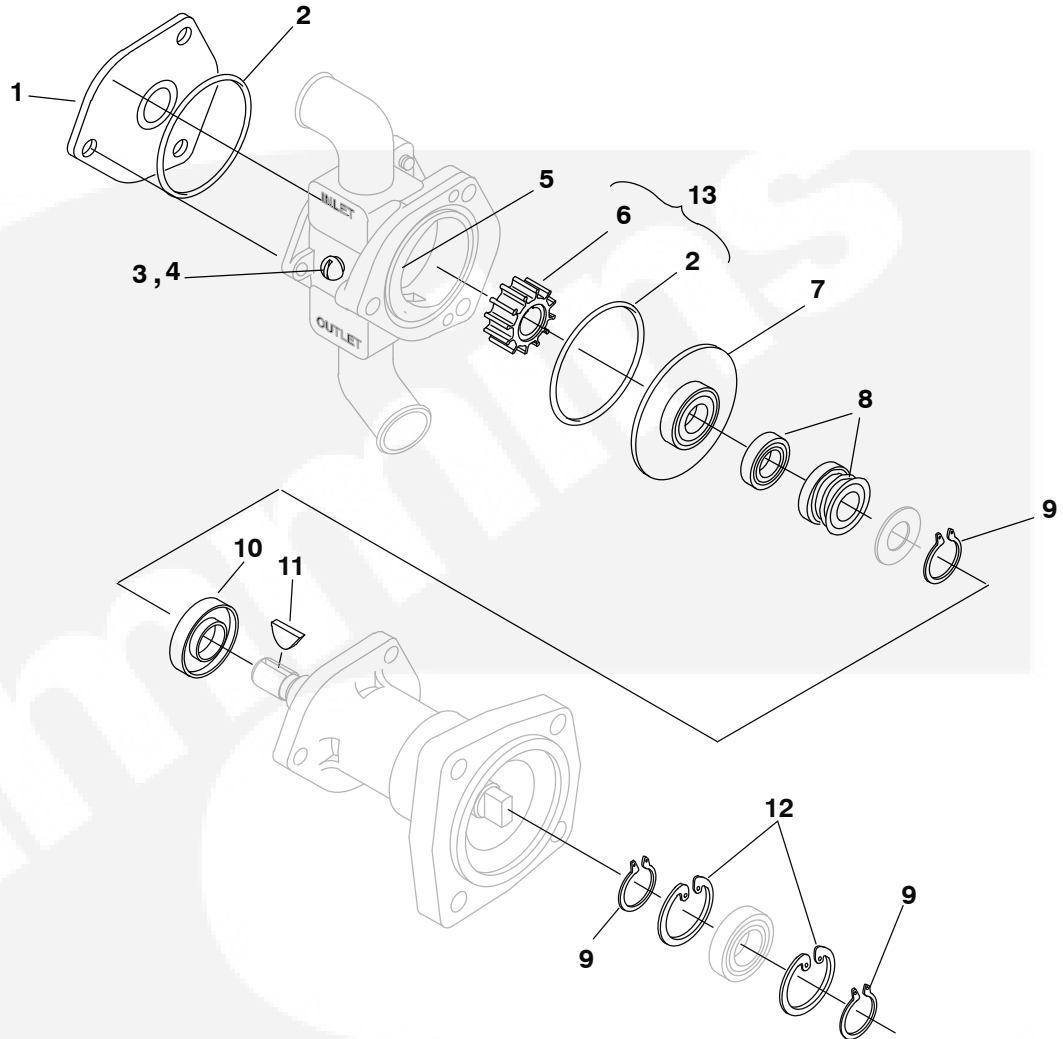
Keel Cooling (Wet Exhaust)

REF NO.	PART NO.	QTY USED	PART DESCRIPTION	REF NO.	PART NO.	QTY USED	PART DESCRIPTION
1	132-0346	1	Gasket, Water Pump	13	503-2023	2	*Hose, Coolant (1-3/8" x 4")
2	526-2100	4	Washer, Flat (M8)	14	505-0446-01	2	*Nipple, Half
3	800-2057	4	Screw, Hex Head Cap (M8 x 20mm)	15	505-0003	1	*Elbow, 90°
4	132-0356	1	Pump, Raw Water	16	505-0304	1	*Tee
5	503-0977	2	Clamp, Hose	17	505-1509	3	*Barb, Hose
6			Hose	18	505-0041	1	*Elbow
	503-1168	1	Spec A-B (5/8")	19	503-1138	6	Clamp, Hose (1-3/8")
	503-2122	1	Begin Spec C (3/4" x 36")	20	503-2025-01	1	Hose, Coolant (1" x 10")
7	332-2634	2	Clamp, "J"	21	155-3148-01	1	Kit, Keel Cooling (Includes Parts Marked *)
8	503-1137	4	Clamp, Hose (1")				
9	503-2025-02	1	Hose, Outlet (1" x 12")				
10	502-1295-02	1	*Adapter (3/4" NPT x 1" Barb)				
11	502-1297	1	*Elbow, 90°				
12			*Adapter (3/4"NPT)				
	502-1295-01	1	Spec A-B (5/8" Barb)				
	502-1295-03	1	Begin Spec C (3/4" Barb)				

* - Parts Included in Keel Cooling Kit.



Water Pump Components



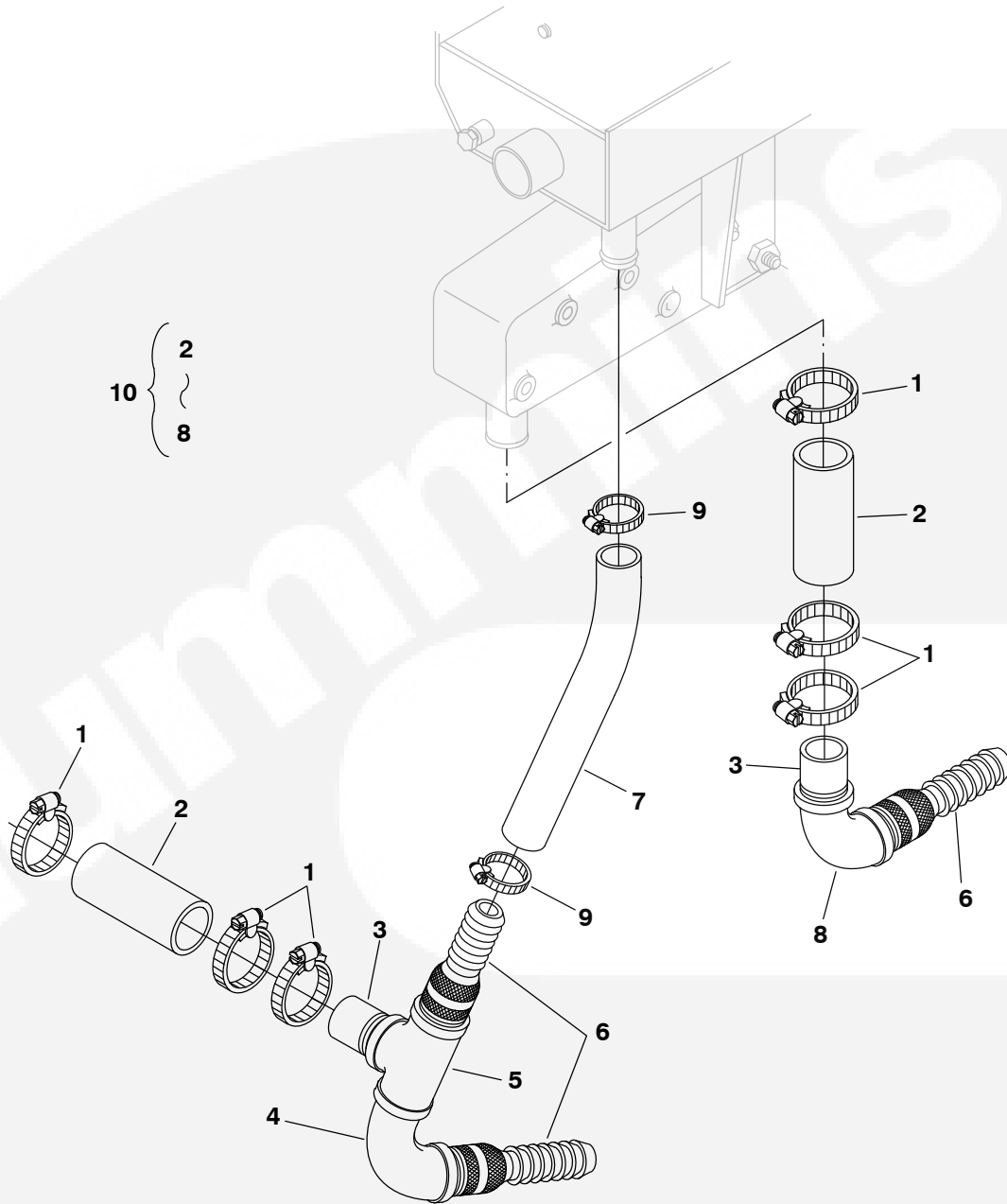
REF NO.	PART NO.	QTY USED	PART DESCRIPTION	REF NO.	PART NO.	QTY USED	PART DESCRIPTION
MDKAD				5	132-0388	1	#+ Cam
*Old Water Pump Prior to S/N F96353298				6	132-0348	1	#+ Impeller
*New Water Pump Begin S/N F96353298				7	-	1	Plate, Wear
MDKAE					132-0385	1	# Old Pump
*Old Water Pump Prior to S/N F963543104				8	-	1	+ New Pump
*New Water Pump Begin S/N F963543104					132-0387	1	Seal/Seat Assy
			Kit, Major Service		132-0393	1	# Old Pump (Lip)
	132-0350	1	Old (Includes Parts Marked *)		132-0394	1	+ New Pump (Mechanical)
	132-0414	1	New (Includes Parts Marked +)	9	132-0393	3	+ Ring, Retaining
1	-	1	Cover	10	132-0394	1	+ Seal, Lip
				11	132-0391	1	#+ Key
	132-0386	1	# Old Pump	12	132-0392	2	+ Ring, Retaining
2	132-0293	2	+ O'Ring	13	132-0349	1	Kit, Minor Water Pump Service (Includes Impeller and O'Ring)
3	132-0390	1	#+ Screw, Cam				
4	132-0389	1	#+ Washer, Seal				

* - See Definition Above.

- Parts Included in Major Service Kit for *Old Pump.

+ - Parts Included in Major Service Kit for *New Pump.

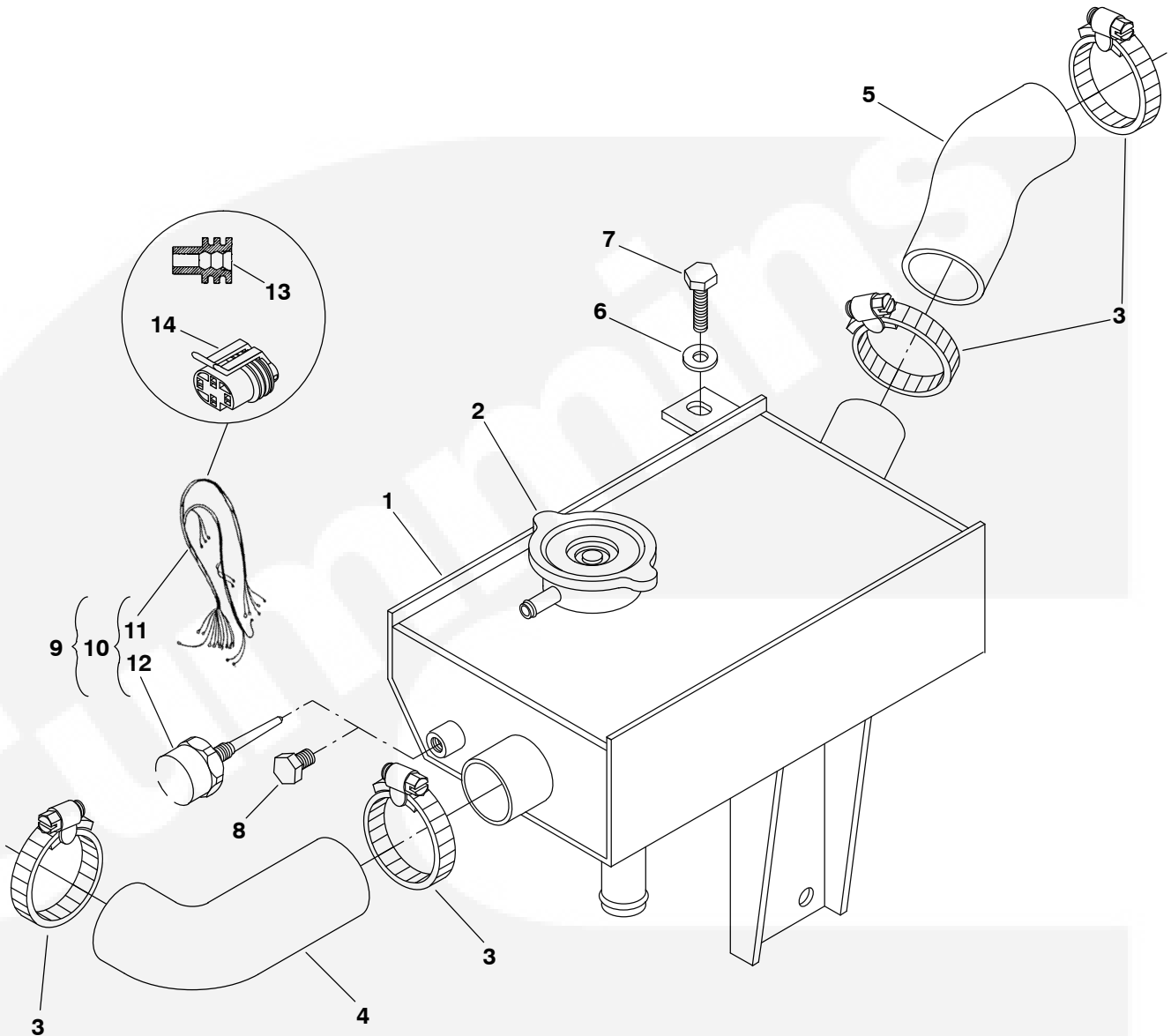
Keel Cooling System (Dry Exhaust)



REF NO.	PART NO.	QTY USED	PART DESCRIPTION	REF NO.	PART NO.	QTY USED	PART DESCRIPTION
1	503-1138	6	Clamp, Hose (1-3/8")	9	503-1137	2	Clamp, Hose (1")
2	503-2023	2	*Hose, Coolant (1-3/8" x 4")	10	155-3087	1	Kit, Keel Cooling (Includes Parts Marked *)
3	505-0446-01	2	*Nipple, Half				
4	505-0003	1	*Elbow				
5	505-0304	1	Tee				
6	505-1509	3	*Barb, Hose				
7	503-2025-01	1	*Hose, Coolant (1" x 10")				
8	505-0041	1	*Elbow				

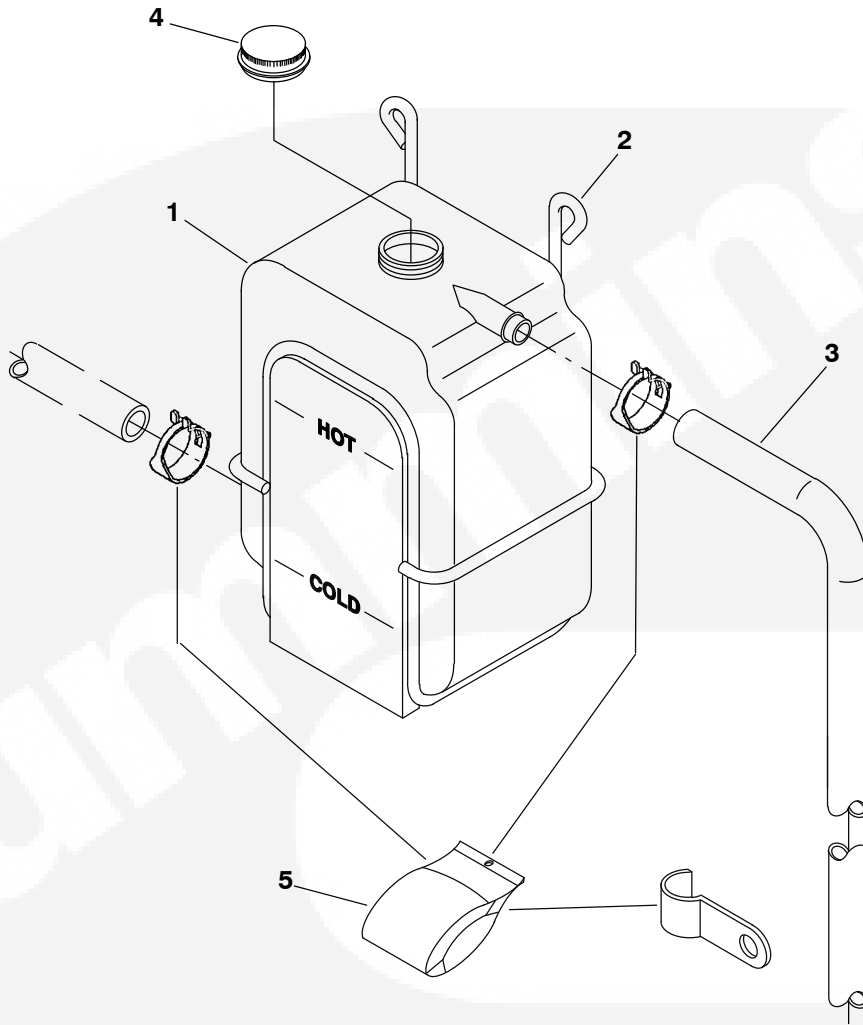
* - Parts Included in Keel Cooling Kit. (Also Includes Cover, Gasket and Hardware Found on Cylinder Block Page.)

Coolant Tank



REF NO.	PART NO.	QTY USED	PART DESCRIPTION	REF NO.	PART NO.	QTY USED	PART DESCRIPTION
1	130-4881-01	1	Tank, Coolant	6	526-2100	1	Washer, Flat (M8)
2	130-2248	1	Cap, Tank Old (Used w/Old Tank 130-4235-02)	7	800-2054	1	Screw, Hex Head Cap (M8 x 1.25 x 14mm)
	130-3721	1	New (Used w/New Tank 130-4881-01)	8	502-0153	1	Plug, Hex Pipe (1/4)
	130-4718	1	(Used w/Second Coolant Tank)	9	300-4686	1	Kit, Low Coolant Sender (Includes Switch and Harness)
3	503-1138	4	Clamp, Hose (1-3/8")	10	193-0481	1	Sender Assy, Low Coolant
4	503-1898	1	Hose, Upper Elbow (1-3/8")	11	338-3594	1	Harness, Pigtail
5	503-1899	1	Hose, Upper "S" (1-3/8")	12	193-0468	1	Sender, Low Coolant
				13	323-1765	1	Housing, Connector (4 Pin)
				14	323-1708	4	Seal, Cable

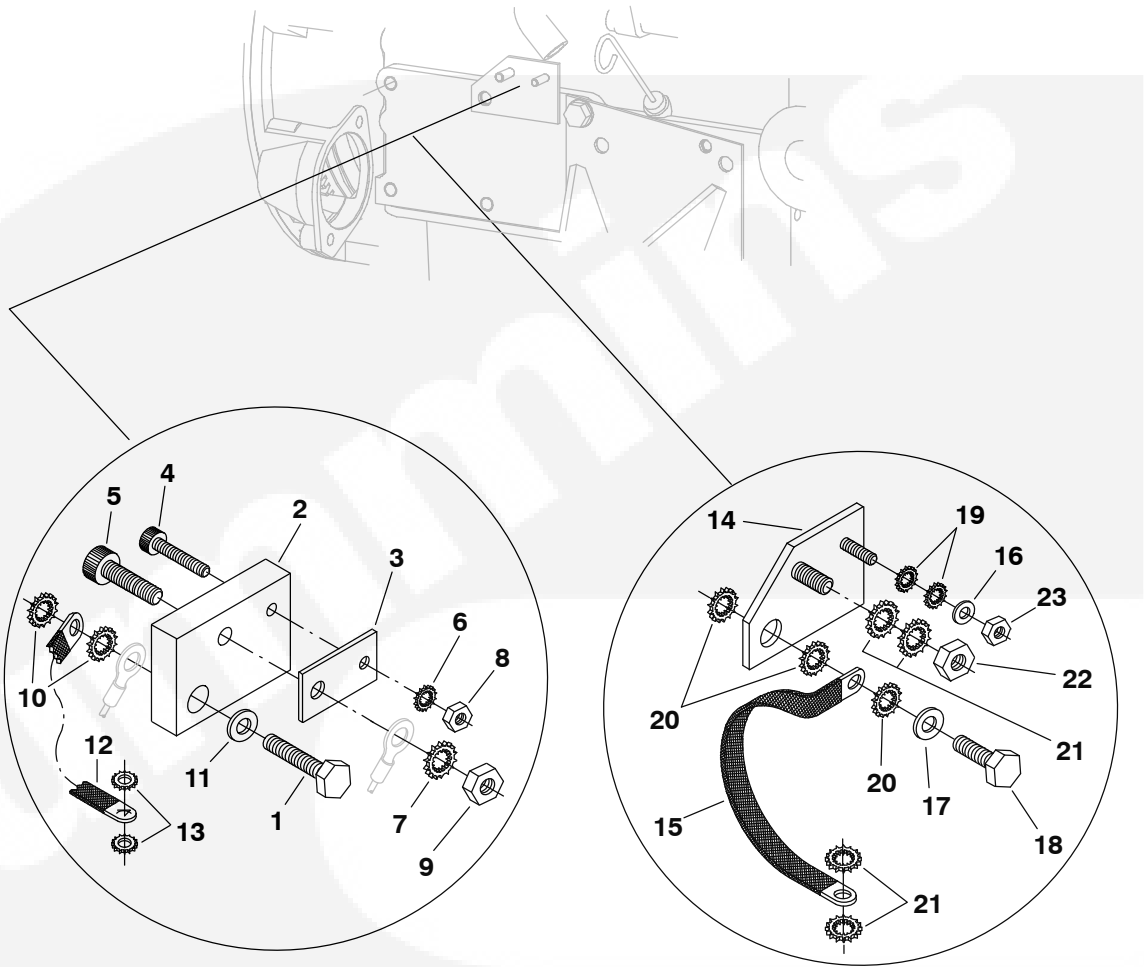
Coolant Recovery



REF NO.	PART NO.	QTY USED	PART DESCRIPTION	REF NO.	PART NO.	QTY USED	PART DESCRIPTION
	130-3574	1	Kit, Coolant Recovery	4	130-3572	1	Cap, Tank
1	130-3570	1	Tank, Coolant Recovery	5	130-3573	1	Hardware Package (Includes Mounting Hardware)
2	130-3571	1	Hanger, Tank				
3	503-1692	1	Hose (5/16 I.D. x 120" Lg.)				



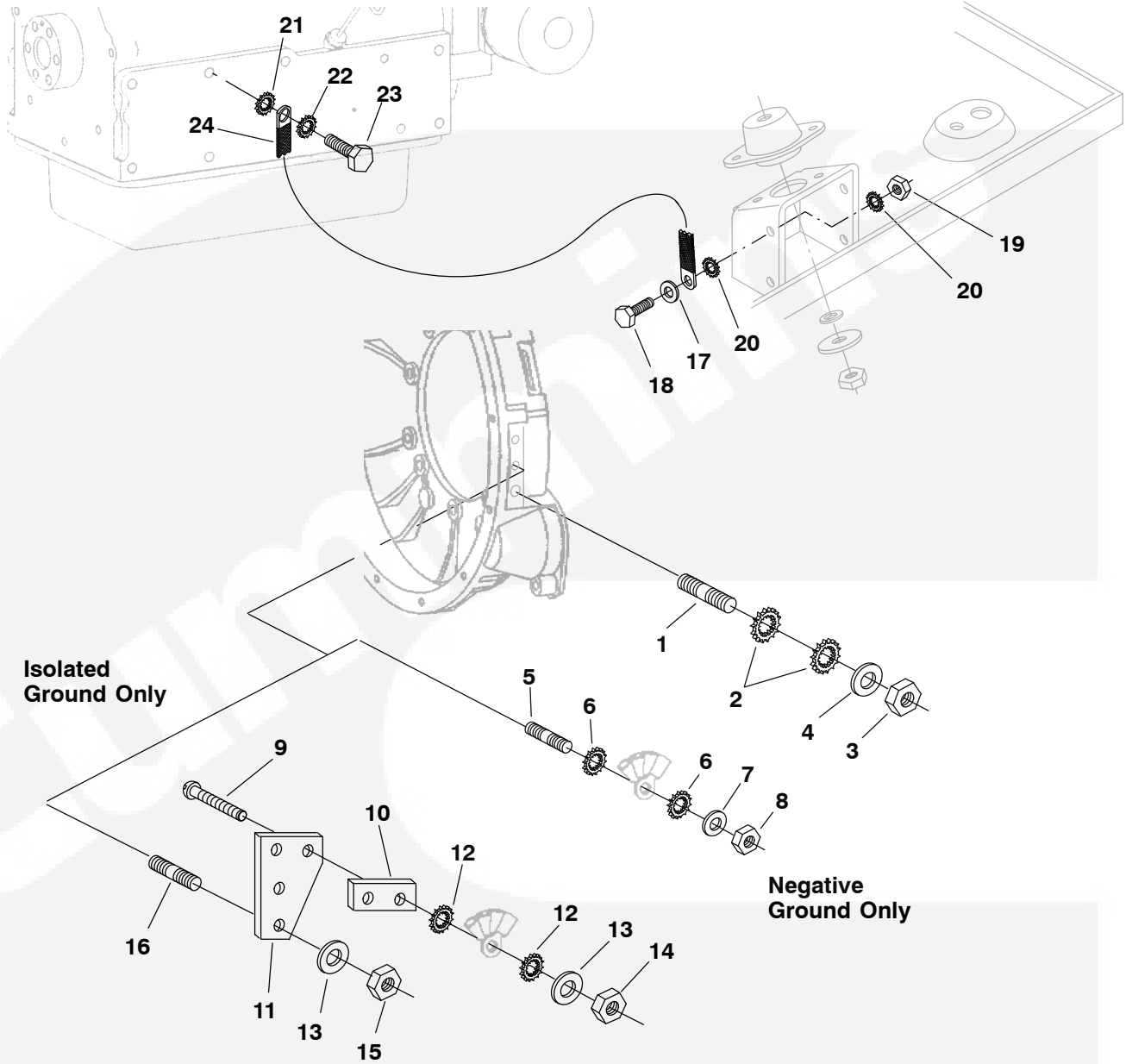
Grounding System (Spec A-B)



REF NO.	PART NO.	QTY USED	PART DESCRIPTION
Isolated Ground			
1	800-2115	1	Screw, Hex Head Cap (M12 x 45)
2	337-2832	1	Isolator, Ground
3	337-2833-02	1	Strip, Ground
4	802-0038	1	Screw, Socket Head (1/4-20 x 1.5")
5	802-0057	1	Screw, Socket Head (5/16-18 x 1.5")
6	856-0006	1	Washer, EIT Lock (1/4)
7	856-0008	1	Washer, EIT Lock (5/16")
8	862-0001	1	Nut, Hex (1/4-20)
9	862-0015	1	Nut, Hex (5/16-18)
10	856-0013	2	Washer, EIT Lock (1/2")
11	526-2140	1	Washer, Flat (M12)
12	337-2785	1	Strap, Bond
13	856-1008	3	Washer, Lock - EIT(5/16")

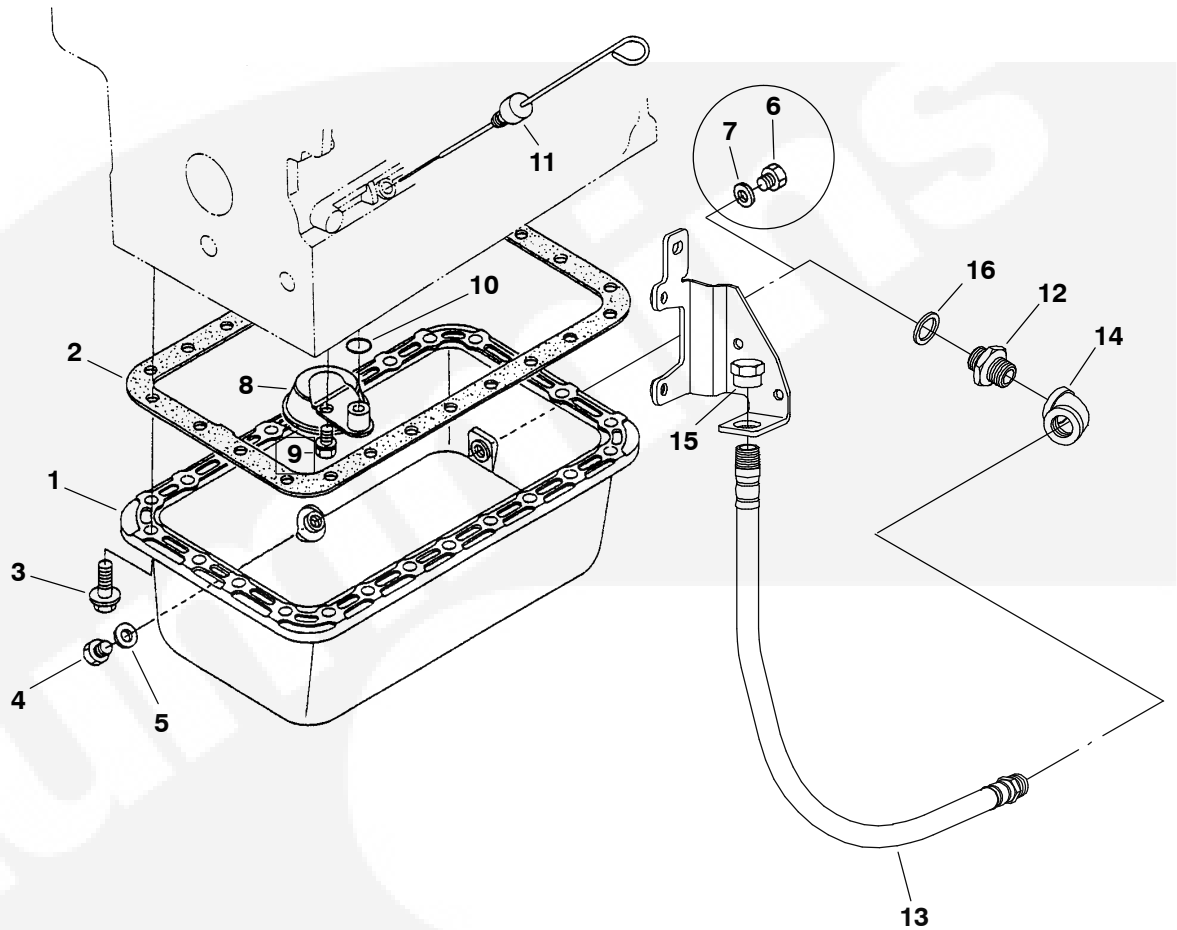
REF NO.	PART NO.	QTY USED	PART DESCRIPTION
Negative Ground			
14	337-2784-02	1	Bar, Bus
15	337-2785	1	Strap, Bond
16	526-0052	1	Washer, Flat (17/64) (Used with 12V Sets Only)
17	526-2140	1	Washer, Flat (M12)
18	800-3033	1	Screw, Cap - Hex Head (M12 x 1.25 x 25mm)
19	856-0006	2	Washer, Lock - EIT (1/4")
20	856-0013	3	Washer, Lock - EIT(1/2")
21	856-1008	4	Washer, Lock - EIT(5/16")
22	862-0015	1	Nut, Hex (5/16-18)
23	871-0016	1	Nut, Hex (1/4-20)

Grounding System (Begin Spec C)



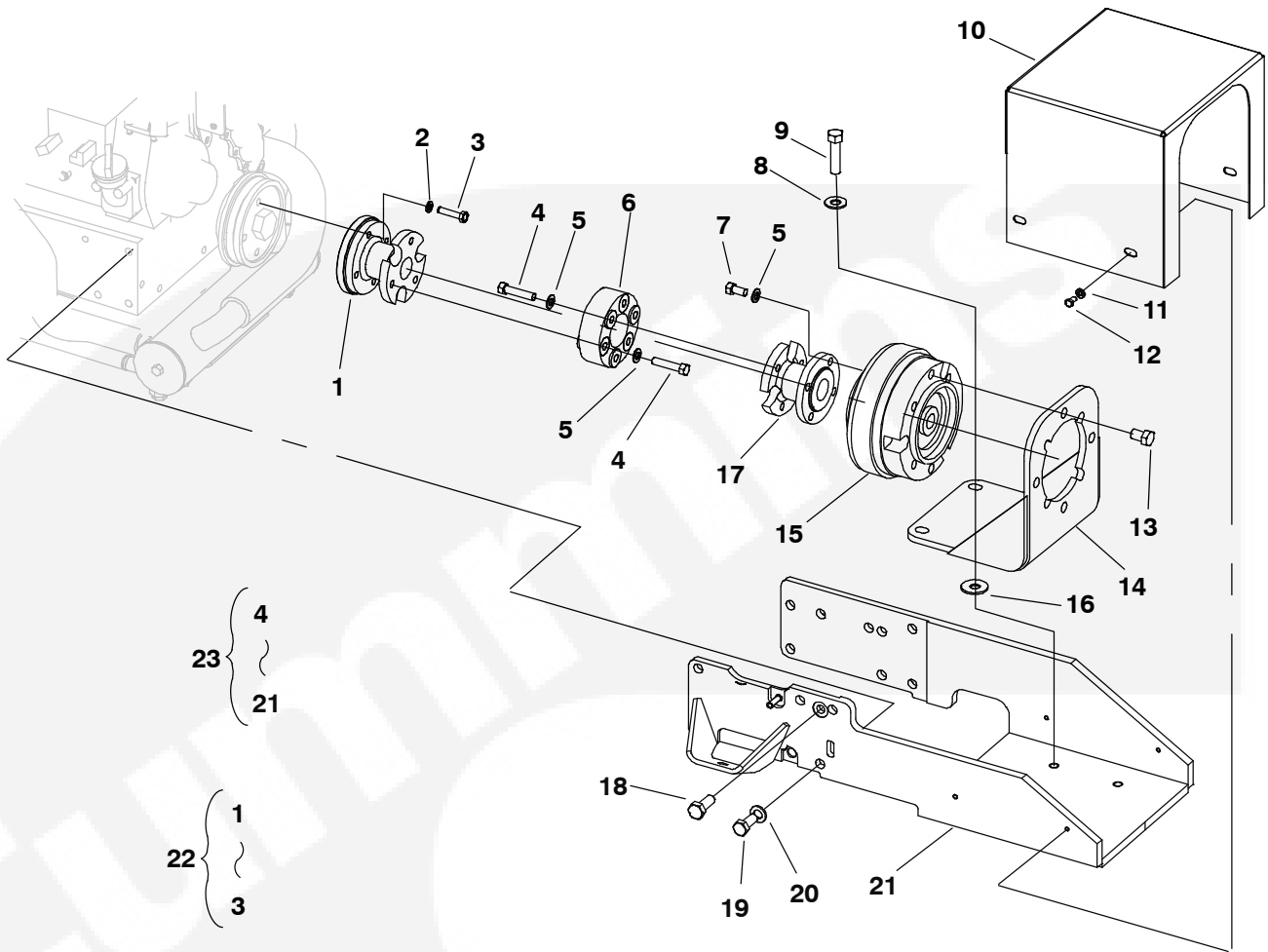
REF NO.	PART NO.	QTY USED	PART DESCRIPTION	REF NO.	PART NO.	QTY USED	PART DESCRIPTION
1	520-1006	1	Stud, Stainless Steel	12	856-0006	4	Washer, EIT Lock
2	856-0008	2	Washer, EIT Lock (5/16")	13	526-0016	4	Washer, Flat (1/4")
3	871-0025	1	Nut, Hex Brass (5/16-18)	14	871-0015	2	Nut, Hex Brass (1/4-20)
4	526-0045	2	Washer, Flat (5/16")	15	862-0013	2	Nut, Hex (1/4-20)
Negative Ground Only				16	520-1005	2	Stud, Stainless Steel
5	520-1005	2	Stud, Stainless Steel	17	526-2100	1	Washer, Flat (M8)
6	856-0006	4	Washer, EIT Lock (1/4)	18	718-1036	1	Screw, Hex Head Cap (M8 x 1.25 x 20mm)
7	526-0016	2	Washer, Flat (1/4")	19	860-2008	1	Nut, Hex (M8)
8	871-0015	1	Nut, Hex Brass (1/4-20)	20	856-0008	2	Washer, EIT Lock (5/16")
Isolated Ground Only				21	856-0013	1	Washer, EIT Lock (1/2")
9	810-0156	2	Screw, Round Head Brass Machine (1/4-20 x 1-1/2")	22	526-0399-64	15	Washer, Flat (M12)
10	337-2970	1	Strip, Ground	23	800-3031	1	Screw, Hex Head Cap
11	337-2969	1	Isolator, Ground	24	337-2785	1	Strap, Bond

Oil Pan



REF NO.	PART NO.	QTY USED	PART DESCRIPTION	REF NO.	PART NO.	QTY USED	PART DESCRIPTION
1	185-6727	1	Pan, Oil	9	185-6762	1	Bolt
2	185-5854	1	Gasket	10	185-3078	1	O'Ring
3	185-5855	24	Bolt, Flange	11	185-6729	1	Indicator, Oil Level
4	185-2096	1	Plug	12	102-1449-01	1	Adapter, Oil Drain
5	185-2343	1	Gasket (Comes with Engine only)	13	501-0624	1	Line, Flex Oil (24")
6	185-6760	1	Bolt (Comes with Engine only)	14	502-0263	1	Elbow, Pipe
7	185-6761	1	Gasket	15	502-1123	1	Cap, Pipe
8	185-6728	1	Tube, Oil Pickup	16	526-0413	1	Washer, Oil Drain (.625ID x .875OD x .075)

PTO

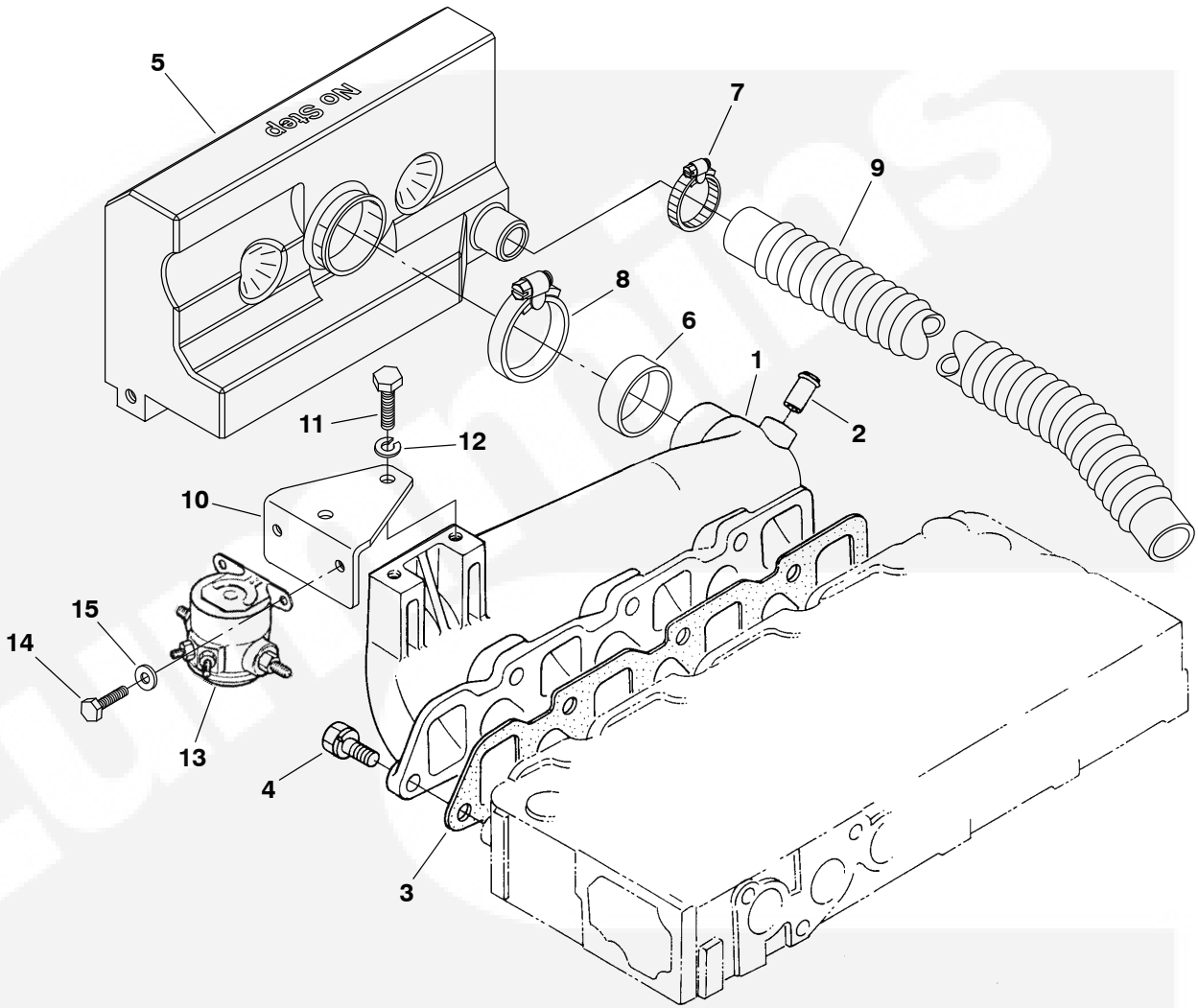


REF NO.	PART NO.	QTY USED	PART DESCRIPTION	REF NO.	PART NO.	QTY USED	PART DESCRIPTION
1	190-0730-02	1	+Adapter, Engine Coupling	17	190-0732-02	1	*Adapter, Coupling Clutch
2	526-2101	3	+Washer, Flat (M8)	18	800-3033	1	*Screw, Hex Head Cap
3	800-2060	3	+Screw, Hex Head Cap (M8 x 35)	19	800-3032	10	*Screw, Hex Head Cap (M12 x 1.25)
4	800-0054	6	*Screw, Hex Head Cap	20	526-0399-64	10	*Washer, Flat
5	526-0026	10	*Washer, Flat	21	190-0745-04	1	*Bracket, PTO
6	190-0731	1	*Coupling, Flex	22	190-0740	1	Kit, PTO Adapter (Includes Parts Marked +)
7	801-1050	4	*Screw, Hex Head Cap	23			Kit, PTO (Includes Parts Marked *)
8	526-0399-44	4	*Washer, Flat (1/2")		190-0738	1	12V
9	800-0091	4	*Screw, Hex Head Cap		190-0739	1	24V
10	190-0736-03	1	*Guard, Coupling				
11	526-2080	4	*Washer, Flat (M6)(PTO)				
12	800-2029	4	*Screw, Hex Head Cap (M6 x 12)				
13	800-0090	2	*Screw, Hex Head Cap (1/2-13 x 1.00)				
14	190-0734-03	1	*Bracket, PTO Clutch				
15			*Clutch				
	190-0729-01	1	12V				
	190-0729-02	1	24V				
16			Shim, PTO				
	190-0756-01 AR		.005				
	190-0756-02 AR		.010				
	190-0756-03 AR		.020				

+ - Parts Included in PTO Adapter Kit. (Also Includes Mounting Isolator Found on Mounting Base Page)

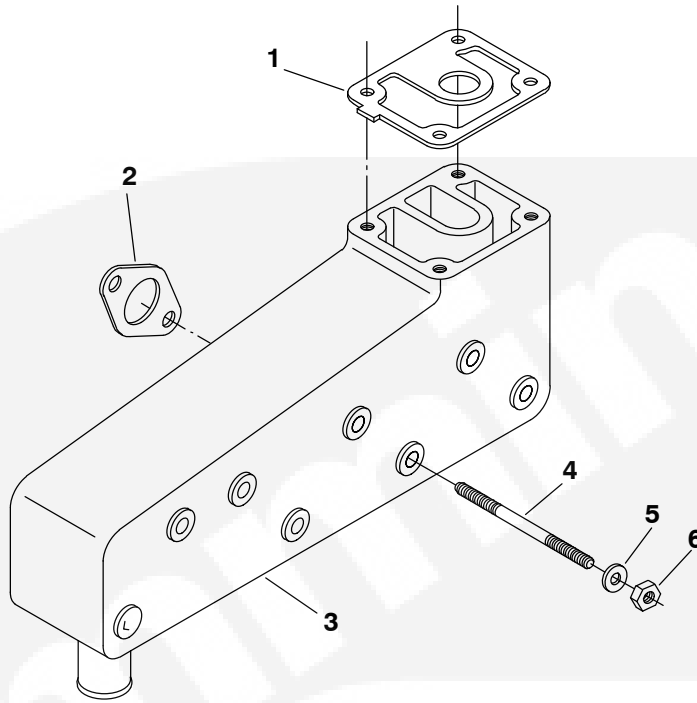
* - Parts Included in PTO Kit. (Also Includes Fuel Pump Mounting Hardware Found on Fuel Pump Page)

Intake Manifold



REF NO.	PART NO.	QTY USED	PART DESCRIPTION	REF NO.	PART NO.	QTY USED	PART DESCRIPTION
1	185-6715	1	Manifold, Intake	12	850-2010	2	Washer, Lock (M10) (Isolated Ground)
2	185-6723	1	Joint, Breather	13			Relay, Solenoid (Isolated Ground)
3	185-6035	1	Gasket		307-1617	1	12V
4	185-2402	7	Bolt		307-2656	1	24V
5	140-2859	1	Resonator, Intake	14	800-2029	2	Screw, Hex Head Cap (M6 x 12mm) (Isolated Ground)
6	140-3048	1	Sleeve, Air Intake	15	526-2080	2	Washer, Flat (M6) (Isolated Ground)
7	503-1138	1	Clamp, Hose (1-3/8")				
8	503-1143	1	Clamp, Hose (3")				
9	503-1939	1	Hose, Intake (1-3/8" x 28"Lg)				
10	191-2166-03	1	Bracket, Solenoid Relay (Isolated Ground)				
11	800-3018	2	Screw, Hex Head Cap (M10 x 16mm) (Isolated Ground)				

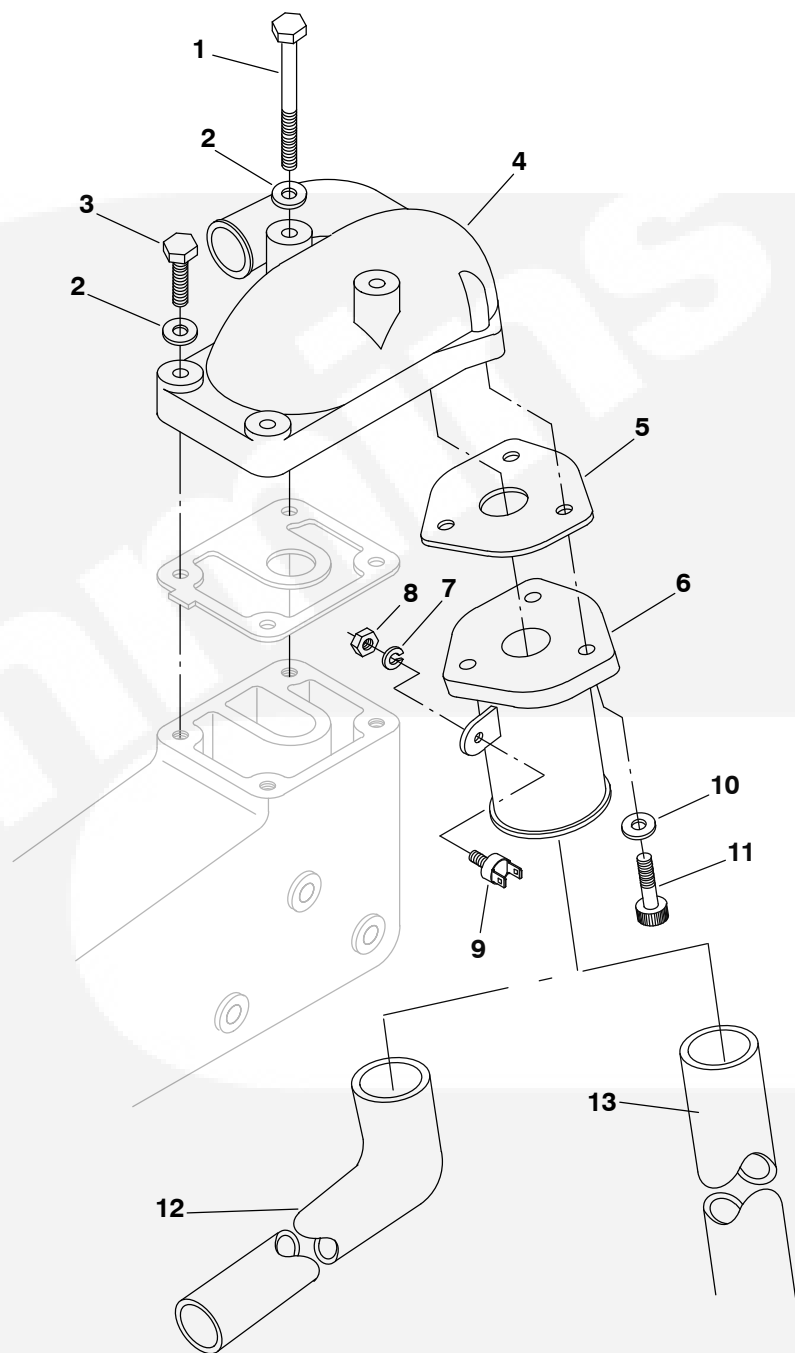
Exhaust Manifold



REF NO.	PART NO.	QTY USED	PART DESCRIPTION	REF NO.	PART NO.	QTY USED	PART DESCRIPTION
1	155-2975	1	*Gasket, Riser/Adapter	5	526-2100	8	Washer, Flat (M8)
2	154-2915	4	Gasket, Exhaust Manifold	6	750-1006	8	Nut (M8 x 1.25)
3	154-2887	1	Manifold, Exhaust				
4	520-2218-01	8	Stud				

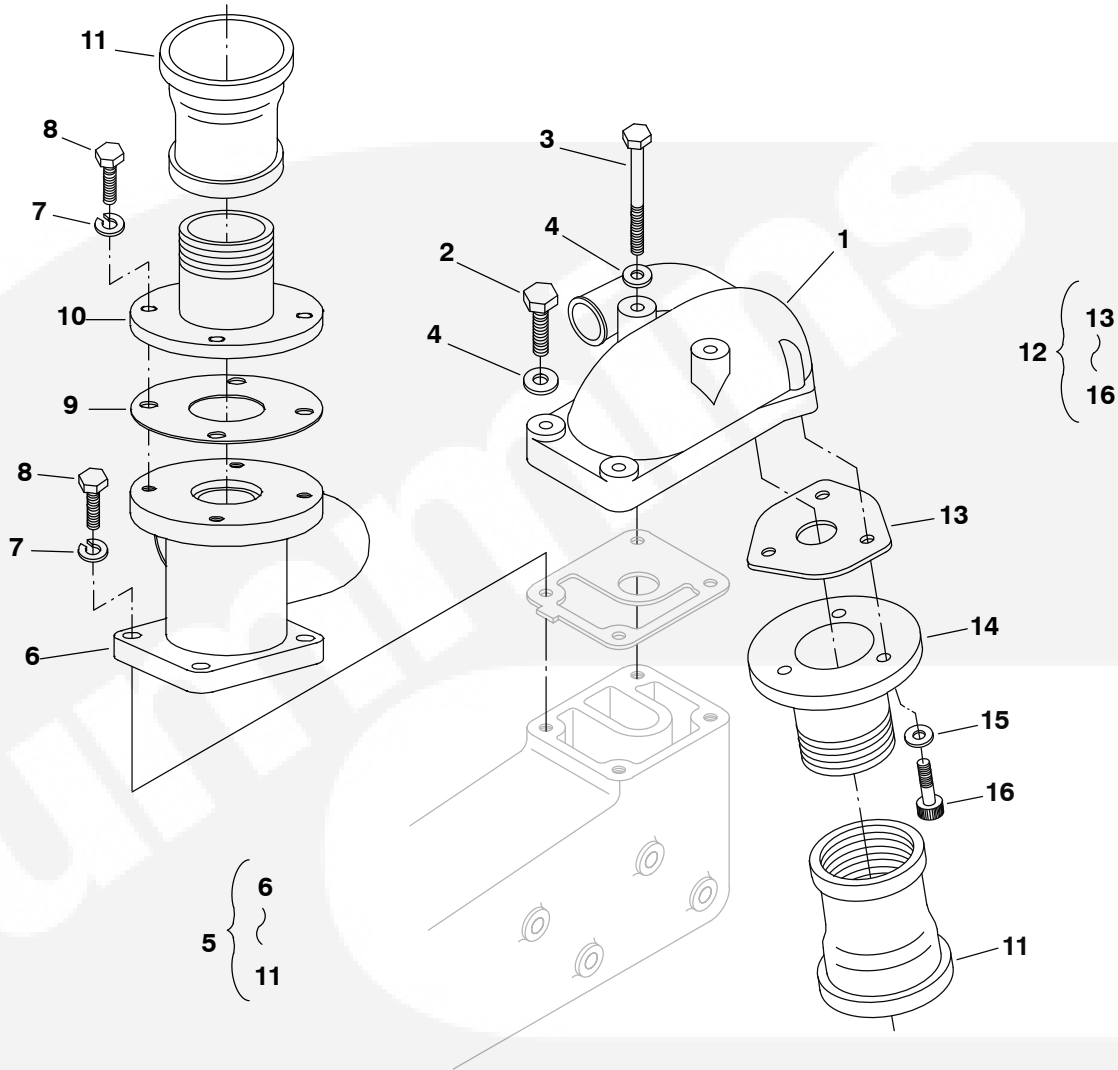
* - Part Included in Exhaust Adapter Kit Found on Dry Exhaust Page.

Wet Exhaust



REF NO.	PART NO.	QTY USED	PART DESCRIPTION	REF NO.	PART NO.	QTY USED	PART DESCRIPTION
1	800-2067	2	Screw, Hex Head Cap (M8 x 1.25 x 70mm)	9	309-0597	1	Switch, High Exhaust Temperature (S5)
2	526-2100	4	Washer, Flat (M8)	10	740-1004	3	Washer, Flat (M6)
3	800-2059	2	Screw, Hex Head Cap (M8 x 1.25 x 30mm)	11	802-2068	3	Screw, Socket Cap (M6 x 1 x 20mm)
4	154-2891	1	Riser	12	155-2033	1	Elbow, 90° Exhaust (2")
5	155-3061	1	Gasket, Mixer	13			Hose, Exhaust
6			Mixer	503-1963-04		1	2" x 3'
	154-2768	1	Spec A-B (5/8")	503-1963-05		1	2" x 5'
	154-3006	1	Begin Spec C (3/4")	503-1353		1	2" x 10'
7	850-0025	1	Washer, Lock (M8)	503-1320		1	2" (Bulk Hose)
8	860-0008	1	Nut, Hex (8-32)				

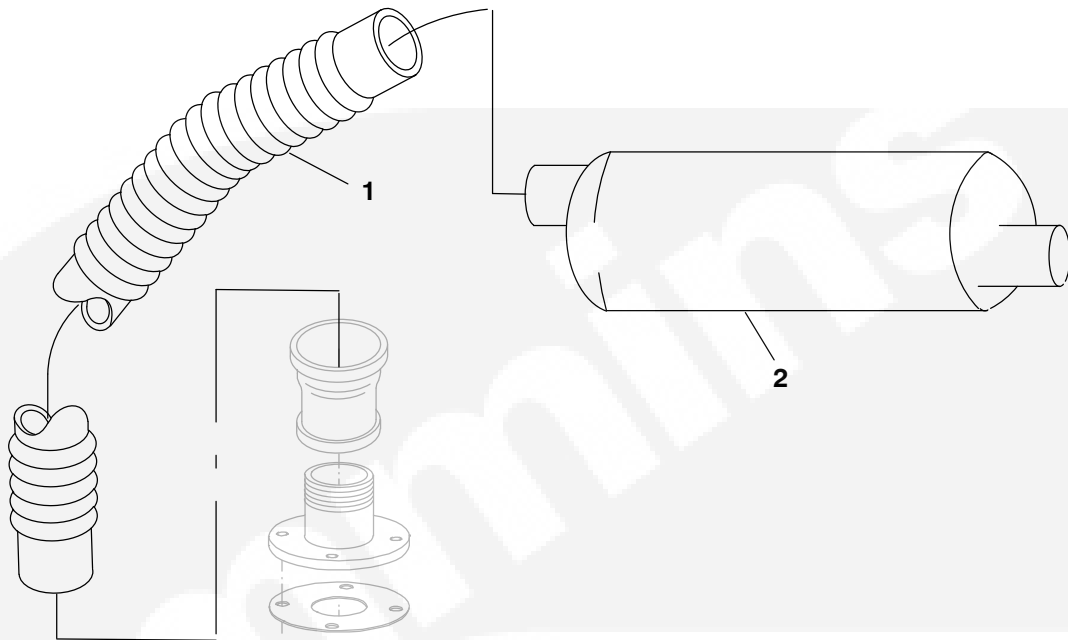
Dry Exhaust (Up or Down)



REF NO.	PART NO.	QTY USED	PART DESCRIPTION	REF NO.	PART NO.	QTY USED	PART DESCRIPTION
1	154-2891	1	Riser	11	505-0339-02	1	*Coupling, Reducer
2	800-2059	2	Screw, Hex Head Cap (M8 x 1.25 x 30mm)	12	155-3094	1	Kit, Exhaust Flange (Includes Parts Marked +)
3	800-2067	2	Screw, Hex Head Cap (M8 x 1.25 x 70mm)	13	155-3061	1	+Gasket, Exhaust
4	526-2100	4	Washer, Flat (M8)	14	155-3068-02	1	+Flange, Exhaust
5	155-2980	1	Kit, Exhaust Adapter (Includes Parts Marked *)	15	740-1004	3	+Washer, Flat (M6)
6	154-2963-02	1	*Adapter, Exhaust	16	802-2068	3	+Screw, Allen Socket Cap (M6 x 1 x 20mm)
7	850-2008	8	*Washer, Lock (M8)				
8	800-2058	8	*Screw, Hex Head Cap (M8 x 25mm)				
9	155-2981	1	*Gasket, Exhaust Adapter				
10	155-3069-02	1	*Flange, Exhaust				

* - Parts Included in Exhaust Adapter Kit. (Also Includes Gasket on Exhaust Manifold Page.)
+ - Parts Included in Exhaust Flange Kit.

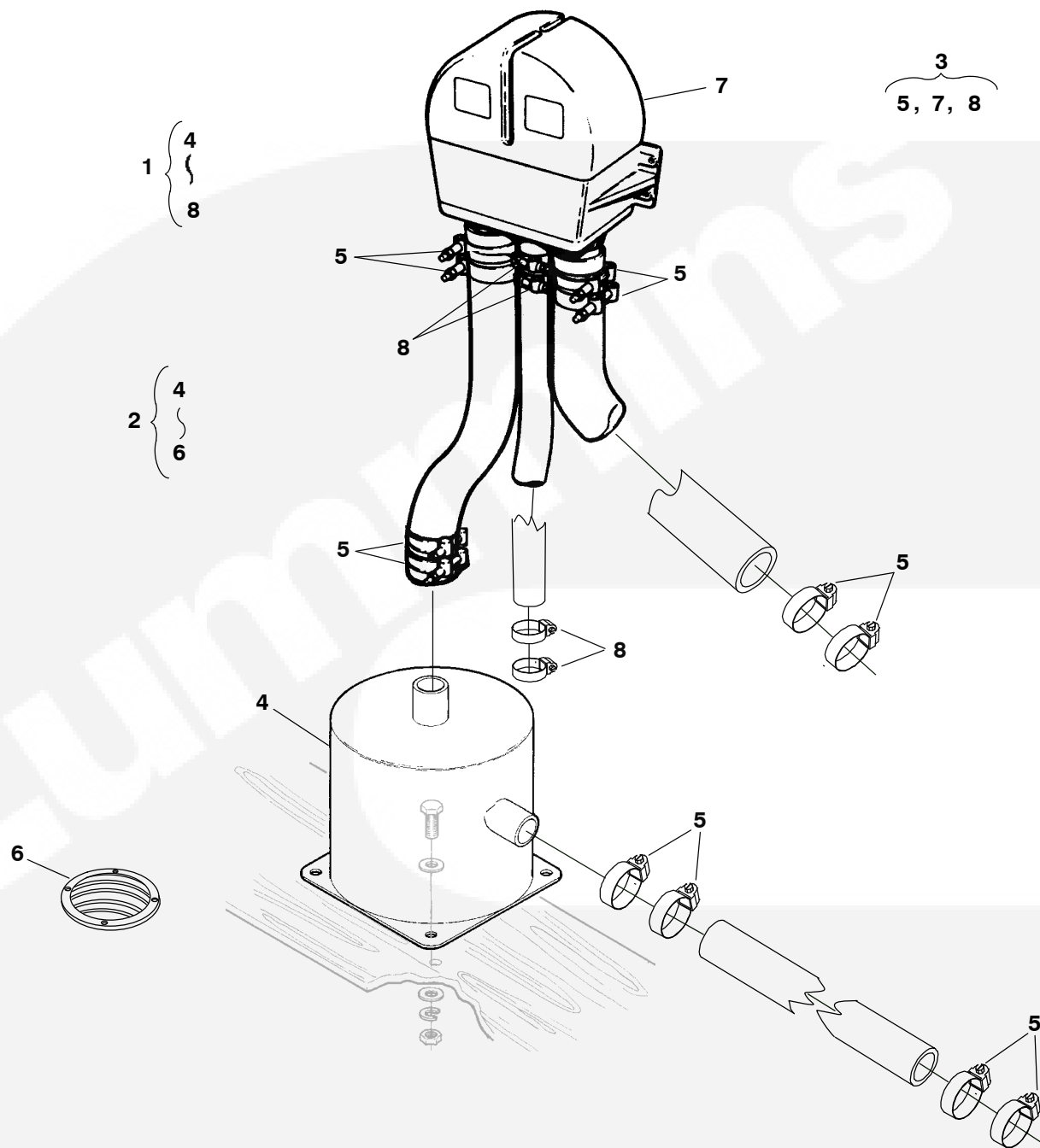
Muffler



REF NO.	PART NO.	QTY USED	PART DESCRIPTION
1	155-2355-04	1	Tube, Flexible Exhaust (2")
2	155-2063-09	1	Muffler, Dry Exhaust (Up) (2") Industrial
	155-2064-09	1	Critical

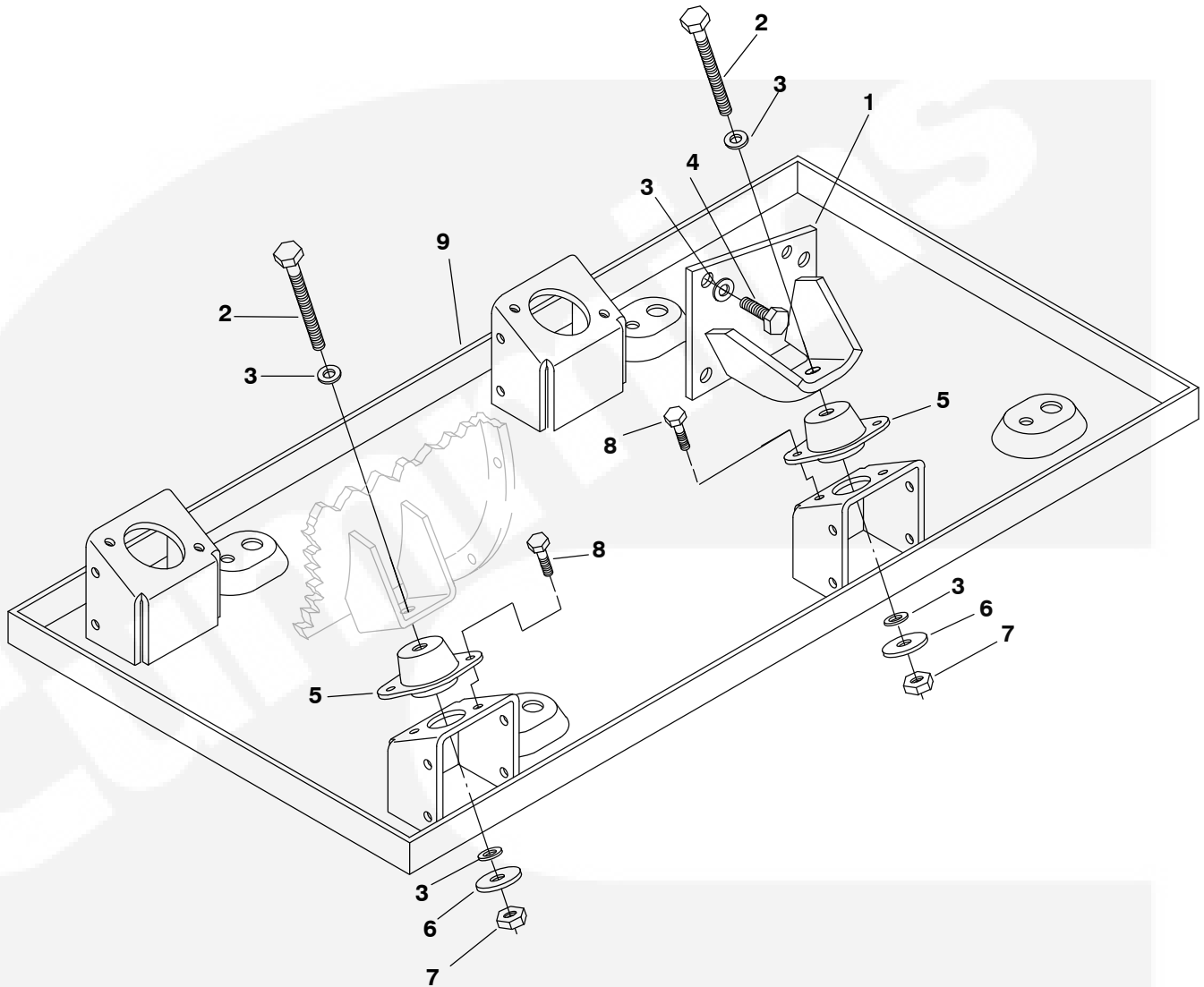


Water Separator/Muffler



REF NO.	PART NO.	QTY USED	PART DESCRIPTION	REF NO.	PART NO.	QTY USED	PART DESCRIPTION
1	155-3217	1	Kit, Muffler/Separator (Includes Parts Marked *)	6	155-1002	1	*+ Strainer, Water Pickup
2	155-2030	1	Kit, Muffler (Includes Parts Marked +)	7	155-3218	1	*# Separator, Water (2")
3	155-3216	1	Kit, Water Separator (Includes Parts Marked #)	8	503-1139	4	*# Clamp, Hose (1-1/2")
4	155-2029	1	*+ Muffler, Marine	* - Parts Included in Muffler/Separator Kit. + - Parts Included in Muffler Kit. # - Parts Included in Water Separator Kit.			
5	503-1142	8	+ Muffler Kit				
	503-1142	4	# Separator Kit				
	503-1142	10	* Muffler/Separator Kit				

Mounting Base



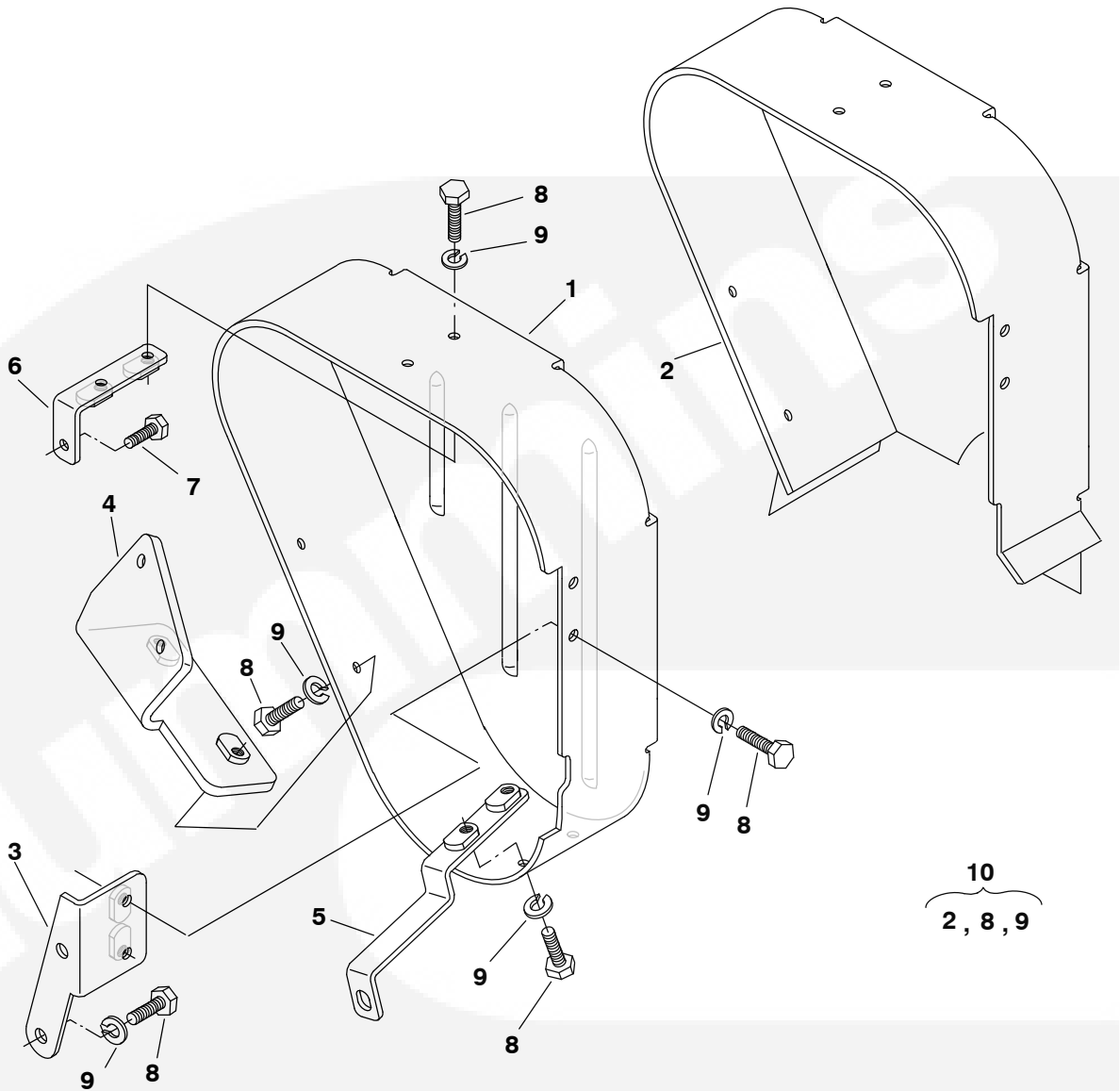
REF NO.	PART NO.	QTY USED	PART DESCRIPTION	REF NO.	PART NO.	QTY USED	PART DESCRIPTION
1	403-4059-03	2	Mount, Engine (W/O PTO)	6	526-0172	4	Washer, Flat (M12)
2	800-2118	4	Screw, Cap - Hex Head (M12 x 1.75 x 60mm)	7	860-2010	4	Nut, Hex Machine (M12 x 1.75)
3	526-0399-64	15	Washer, Flat (M12)	8	821-6003-01	8	Screw, Cap - Hex Head (M8 x 20mm)
4	800-3031	6	Screw, Cap - Hex Head (M12 x 1.25 x 25mm)	9	403-3737-02	1	Base, Generator Mounting
5			Isolator, Mounting				
	403-3573	4	W/O PTO				
	403-3573	2	Generator End				
	403-3955	2	* Engine End				

* - Part Included in PTO Adapter Kit Found on PTO Page.

“Blank Page”



Belt Guard



REF NO.	PART NO.	QTY USED	PART DESCRIPTION	REF NO.	PART NO.	QTY USED	PART DESCRIPTION
1			Guard, Belt W/O PTO Spec A-B	7	718-1047	1	Screw, Hex Head Cap (M8 x 75) (Negative Ground)
	130-4331-03	1	Negative Ground	8			Screw, Hex Head Cap (M6 x 12)
	130-4414-03	1	Isolated Ground		800-2029	8	Negative Ground (W/O PTO)
			Begin Spec C		800-2029	10	* Negative Ground (W/PTO)
	130-4652-03	1	Negative Ground		800-2029	4	Isolated Ground
	130-4714-03	1	Isolated Ground	9			Washer, Lock (M6)
2	130-4633-04	1	*Guard, Belt W/PTO		850-2006	8	Negative Ground (W/O PTO)
3	130-4381-03	1	Bracket, Guard		850-2006	10	* Negative Ground (W/PTO)
4			Bracket, Guard		850-2006	4	Isolated Ground
	130-4382-03	1	Negative Ground	10	190-0744	1	Kit, PTO Belt Guard (Includes Parts Marked *)
	130-4411-03	1	Isolated Ground				
5	130-4491-03	1	Bracket, Guard (Negative Ground) (W/O PTO)				
6	130-4492-03	1	Bracket, Guard (Negative Ground)				

* - Parts Included in PTO Belt Guard Kit.

Sound Shield

REF NO.	PART NO.	QTY USED	PART DESCRIPTION	REF NO.	PART NO.	QTY USED	PART DESCRIPTION
			Kit, Sound Shield (W/O PTO)	25			Roof Assy, Housing
	405-5253	1	MDKAD	405-5043-01	1		Spec A-B (Includes Parts Marked +)
	405-5252	1	MDKAE				
1	402-0681	4	Isolator, Vibration	405-6341-01	1		Begin Spec C (Includes Parts Marked #)
2	405-5013	2	Support Assy, Roof (Includes Edging)	26			Cover, Access
3	508-0210	4	Edging (632mm)	405-4528	2	+	Spec A-B (Includes Cover and Flange)
4	405-5015-01	1	Rail Assy, Door - Left Side (Includes Pin and Nut)	405-6340	2	#	Begin Spec C (Includes Cover Flange and Gasket)
5	405-5015-02	1	Rail Assy, Door - Right Side (Includes Pin and Nut)	27	406-0528-02	8	+# Catch, Spring
6	405-5018	1	Rail Assy, Door -Front (Includes Pin and Nut)	28	508-0210	4	+# Edging (289mm)
7	405-3111	15	Pin, Clip	29	508-0210	2	+# Edging (170mm)
8	870-0400	30	Nut, Push Cap	30	815-0807	12	+ Screw, Cross Fillister Recessed Fastener
9	405-5023-02	4	Door Assy, Housing (Includes Parts Marked *)	31			
10	405-1872	2	*Clip, Door	870-0427	12	+	Nut, Hex (#10-24)
11	406-0528-01	2	*Catch, Spring	818-0239-03	12	#	Rivet, Stainless Steel
12	508-1011	1	*Seal, Edge (353mm)	32			Base, Housing
13	526-0003	4	*Washer, Flat (#8)	405-5045-02	1		MDKAD
14	818-0150	4	*Rivet, Drive	405-5045-01	1		MDKAE
15	818-0194	36	+*Rivet, Stainless Steel	33	503-1138	1	Clamp, Hose (1-3/8")
16	405-5026-02	1	Panel Assy, Front (See Separate Page for Components)	34	526-0022	6	Washer, Flat (M8)
				35	800-0540	4	Screw, Hex Head Cap (5/16-18 x 1-5/8")
17			Housing Assy, Generator (See Separate Page for Components)	36	800-2052	2	Screw, Hex Head Cap (M8 x 1.25 x 12mm)
			MDKAD	37	808-0045	10	Screw, Round Head Sheet Metal (#12 x 1-1/2)
	405-5034-02	1	Right Side	38	815-0498	8	Screw, Thread Forming Hex Head (#8-32 x 3/8")
	405-5036-02	1	Left Side	39	815-0765	26	Screw, Truss Head (14-20 x .50)
			MDKAE	40	870-0257	4	Nut, Self-Lock
	405-5034-01	1	Right Side	41	870-0413	4	Nut, Tee
	405-5036-01	1	Left Side	42	190-0742	1	Kit, Front Panel (Includes 4 Screws)
18	405-5037	1	Panel, Generator Housing (Includes Edging)				
19	405-5038	1	Baffle Assy, Generator (Includes Parts Marked ◇)				
20	508-0115	1	◇Grommet, Rubber				
21	508-0117	4	◇Grommet, Rubber				
22	508-0330	1	◇Seal, Edge (495mm)				
23	508-0210	3	◇Edging (415mm, 543mm, 415mm)				
24	508-1095	2	◇Grommet, Rubber				

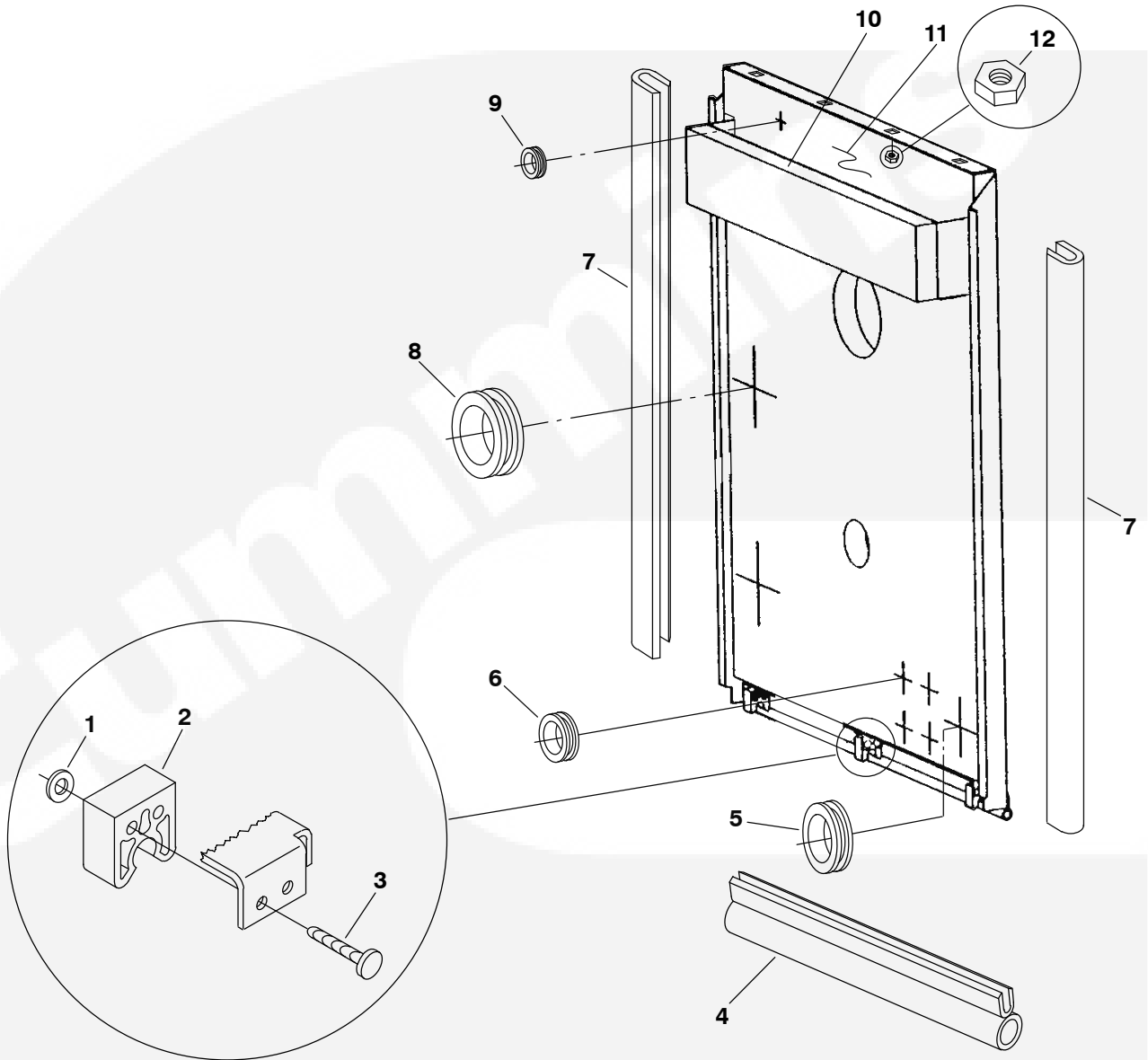
* - Parts Included in Housing Door Assy.

◇ - Parts Included in Generator Baffle Assy.

+ - Parts Included in Spec A-B Housing Roof Assy.

- Parts Included in Spec C Roof Assy.

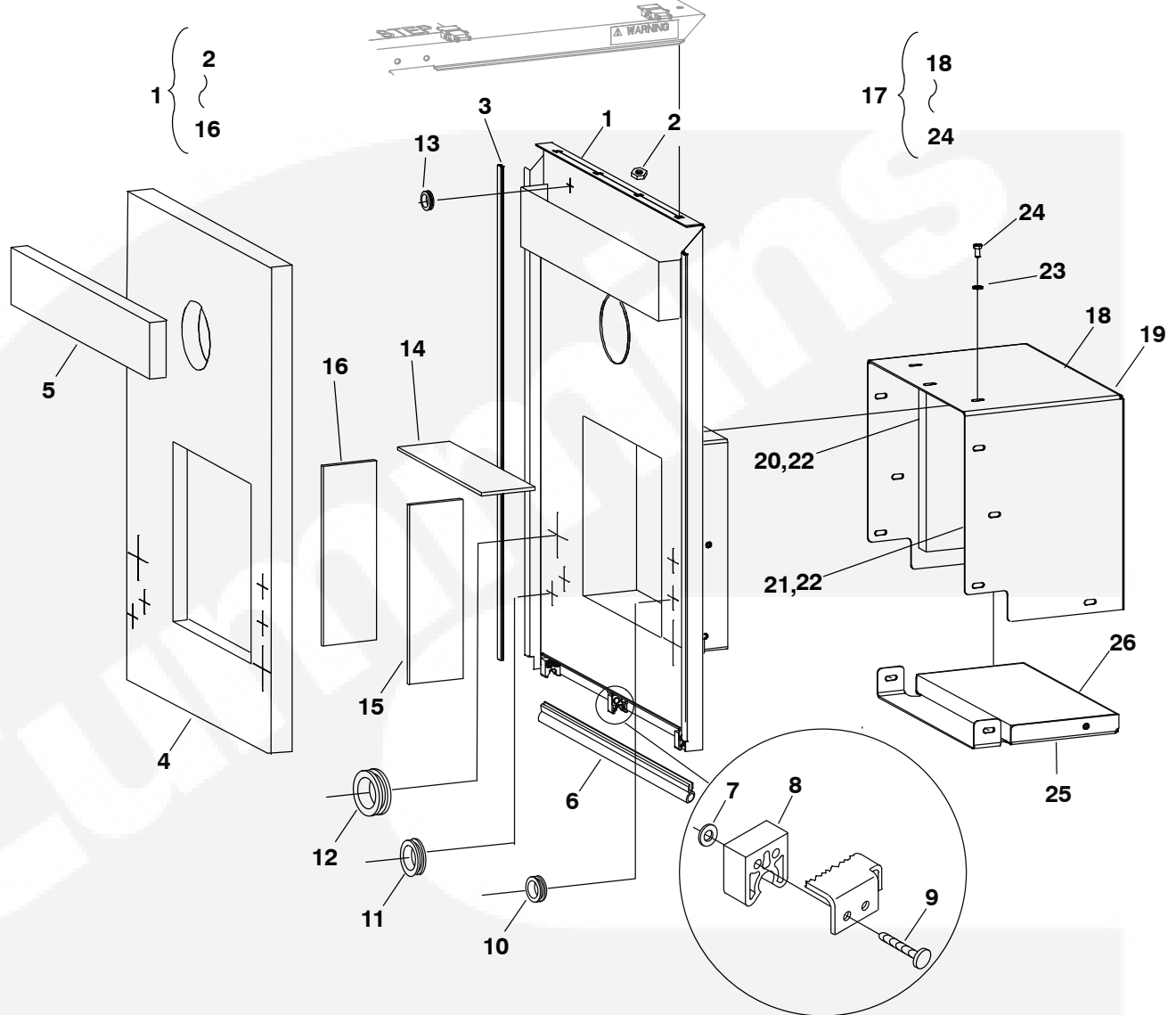
Housing Front Panel



REF NO.	PART NO.	QTY USED	PART DESCRIPTION
	405-5026	1	Panel Assy, Front
1	526-0003	6	Washer, Flat (#8)
2	405-1872	3	Clip, Door
3	818-0150	6	Rivet, Drive
4	508-1011	1	Seal, Edge (514mm)
5	508-0115	1	Grommet, Rubber
6	508-0117	4	Grommet, Rubber

REF NO.	PART NO.	QTY USED	PART DESCRIPTION
7	508-0210	2	Edging (628mm)
8	508-1095	2	Grommet, Rubber
9	508-0021	1	Grommet, Rubber
10	405-5026	1	Insulation
11	405-5010-02	1	Insulation, HSG
12	870-0110	4	Nut, Retainer(1/4-20)

Housing Front Panel (with PTO)

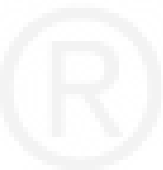


REF NO.	PART NO.	QTY USED	PART DESCRIPTION	REF NO.	PART NO.	QTY USED	PART DESCRIPTION
	405-6553-02	1	Kit, Front Panel	16	405-6742	1	*Insulation, Front Panel
1	405-6552-03	1	Panel Assy, Front (Includes Parts Marked *)	17	405-6551	1	Guard Assy, Coupling (Includes Parts Marked +)
2	870-0110	4	*Nut, Retainer(1/4-20)	18	405-6725-03	1	+ Guard, Coupling
3	508-0210	AR	*Edging (2 x 693mm)	19	405-6744	1	+ Insulation, Sound (Top)
4	405-6554	1	*Insulation, Front Panel	20	405-6743	1	+ Insulation, Sound (Side Panel)
5	405-5010-02	1	*Insulation, Top Panel	21	405-6745	1	+ Insulation, Sound (Side Panel)
6	508-1011	AR	*Seal, Edge (514mm)	22	405-6577	2	+ Insulation, Guard (Front)
7	526-0003	6	*Washer, Flat (3/16")	23	526-2080	13	+ Washer, Flat (M6)
8	405-1872	3	*Clip, Door	24	800-2029	13	+ Screw, Hex Head Cap (M6 x 1 12mm)
9	818-0150	6	*Rivet, Drive	25	405-6738-03	1	Guard, Coupling (Bottom) (Includes Insulation)
10	508-0117	4	*Grommet, Rubber	26	405-6746	1	Insulation, Coupling Guard (Bottom)
11	508-0115	2	*Grommet, Rubber (Spec A-B)				
12			*Grommet, Rubber				
	508-1095	1	Spec A-B				
	508-1163	2	Begin Spec C				
13	508-0021	1	*Grommet, Rubber				
14	405-6740	1	*Insulation, Sound				
15	405-6739	1	*Insulation, Front Panel				

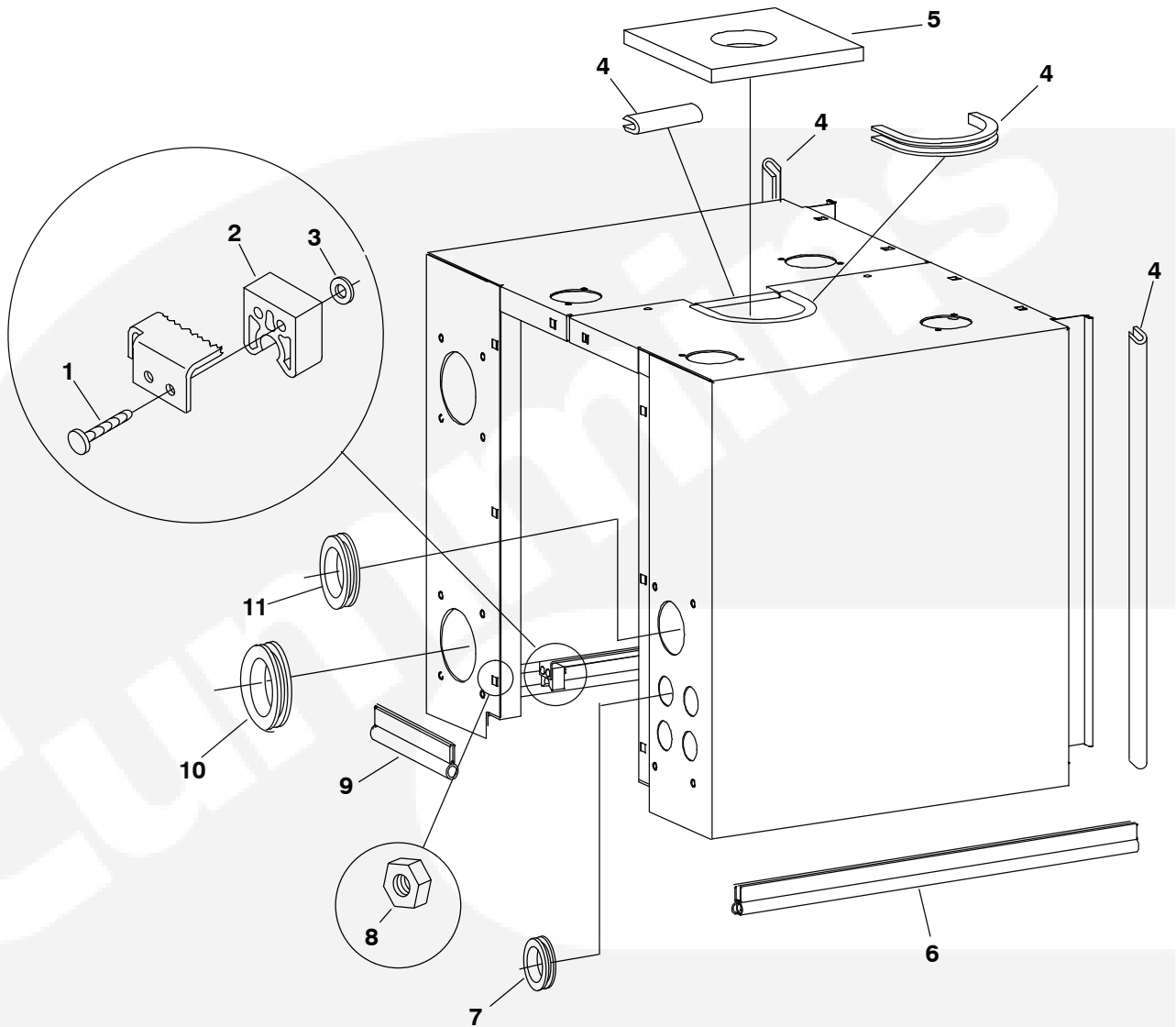
* - Parts Included in Front Panel

+ - Parts Included in PTO Guard assembly

“Blank Page”

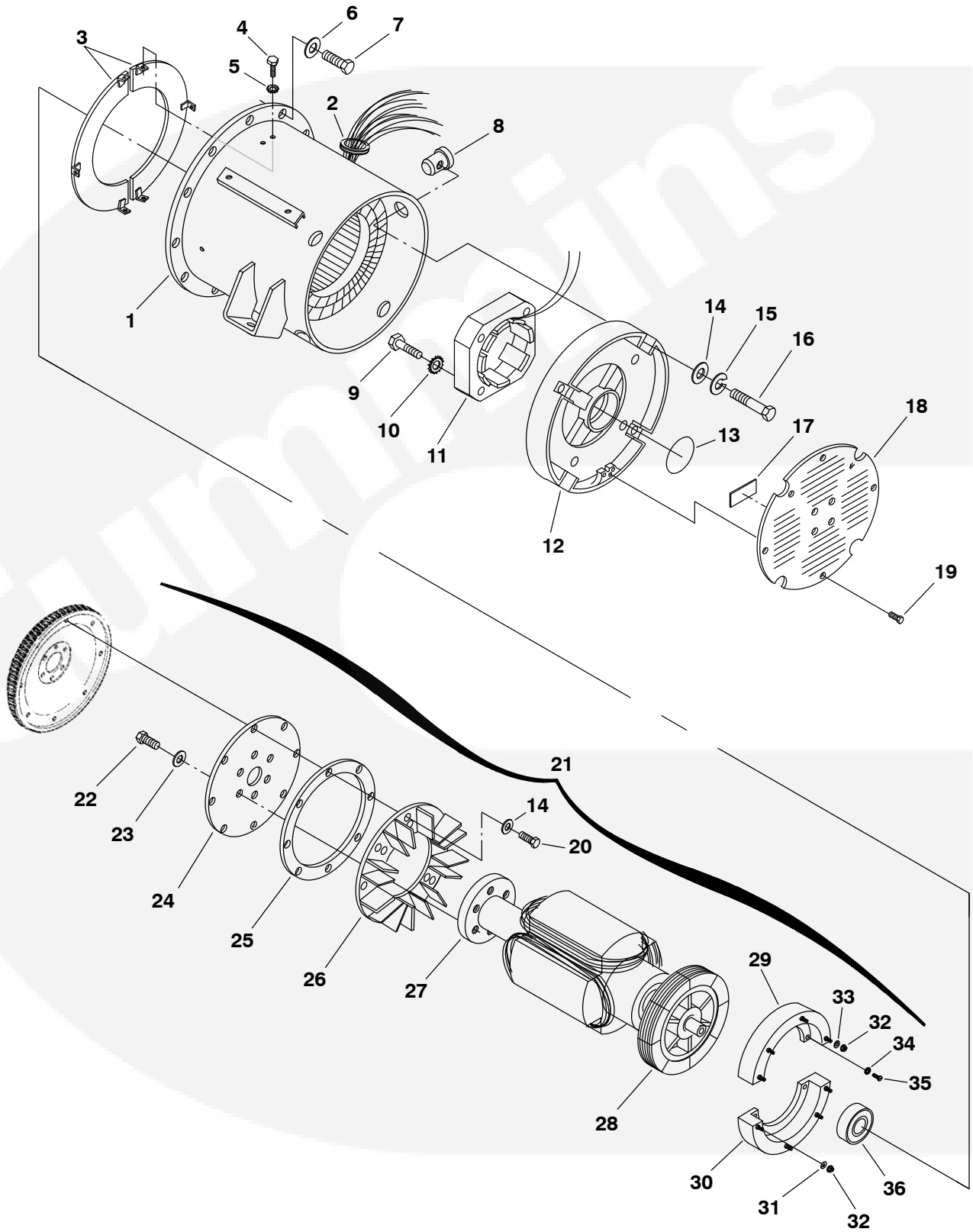


Generator Housing



REF NO.	PART NO.	QTY USED	PART DESCRIPTION	REF NO.	PART NO.	QTY USED	PART DESCRIPTION
			Housing, Generator MDKAD	6			Seal, Edge MDKAD (388mm)
405-5034-02		1	Right Side		508-1011	2	MDKAE (425mm)
405-5036-02		1	Left Side MDKAE	7	508-0117	4	Grommet, Rubber (Left Side Housing)
405-5034-01		1	Right Side	8	870-0110	14	Nut, Retainer (1/4-20)
405-5036-01		1	Left Side	9	508-1011	2	Seal, Edge (123mm)
1	818-0150	8	Rivet, Drive	10	508-1095	2	Grommet, Rubber (Right Side Housing)
2	405-1872	4	Clip, Door	11	508-0115	1	Grommet, Rubber (Left Side Housing)
3	526-0003	8	Washer, Flat (#8)				
4	508-0210	4	Edging (458mm, 94mm, 237mm, 458mm)				
5	405-5114	1	Insulation, Control Box				

Generator



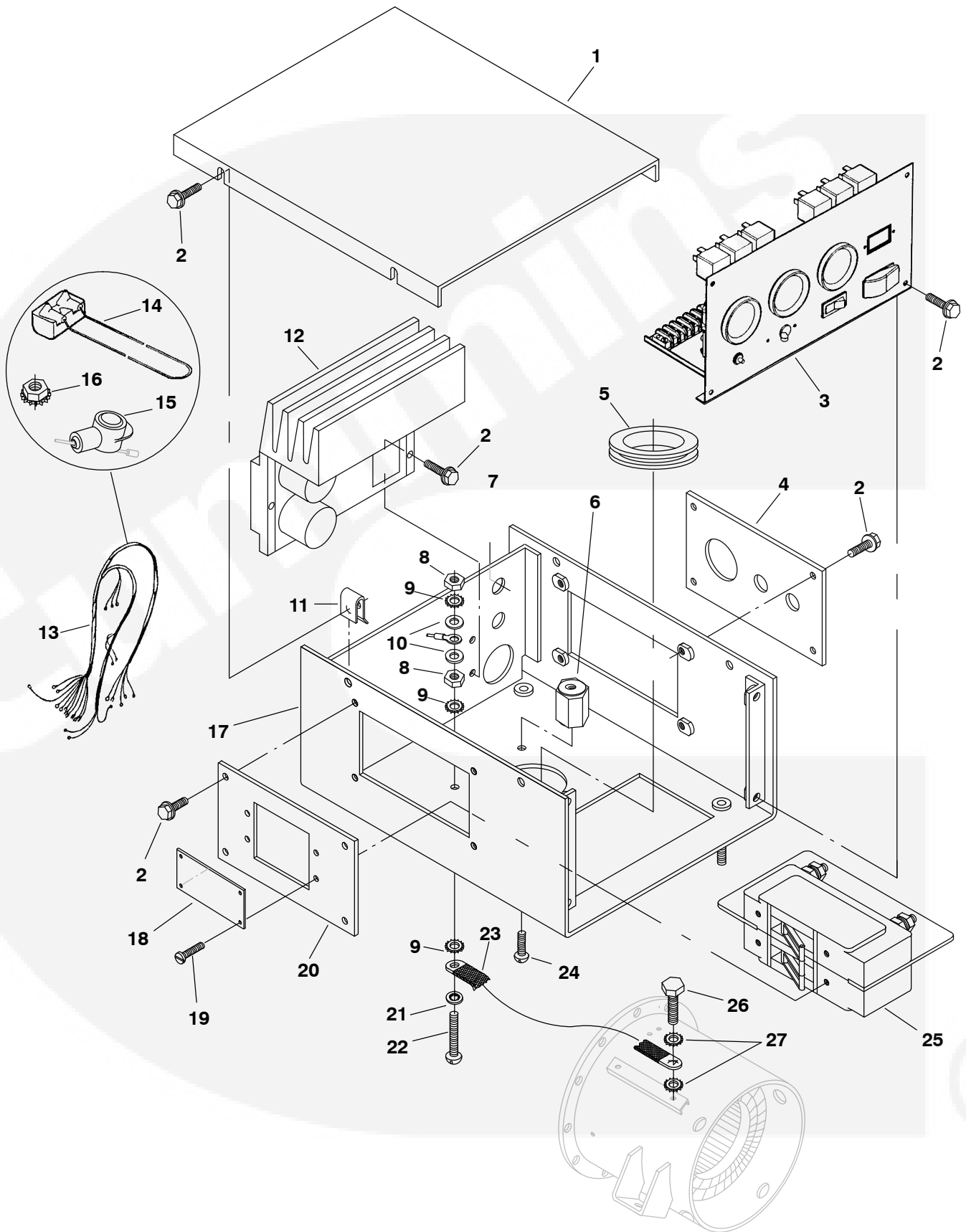
Generator

REF NO.	PART NO.	QTY USED	PART DESCRIPTION	REF NO.	PART NO.	QTY USED	PART DESCRIPTION
1			Stator, Generator	15	850-0114-06	4	Washer, Lock (5/16")
			1 Phase (Includes Grommet)	16	800-0310-27	4	Screw, Hex Head Cap (5/16"-18 x 2-1/2")
			Spec A-B	17	895-0308	1	Tape, Polyurethane (40mm)
	220-4417-02	1	MDKAD	18	234-0876-01	1	Cover, Inlet
	220-4417-04	1	MDKAE	19	815-0181	3	Screw, Hex Head Thread Cutting (#10-32 x 1/2")
			Begin Spec C				
	220-4570-02	1	MDKAD	20	800-0310-36	8	Screw, Hex Head Cap (3/8-16 x 1)
	220-4570-04	1	MDKAE				
			3 Phase (Includes Parts Marked +)	21			Rotor Assy, Generator (Includes Parts Marked *)
			Spec A-B		201-3517-02	1	MDKAD
	220-4451-02	1	MDKAD		201-3517-04	1	MKDAE
	220-4451-04	1	MDKAE	22	800-0310-64	6	*Bolt, Hex Head Cap (1/2-13 x 1")
			Begin Spec C				
	220-4569-02	1	MDKAD	23	526-0399-44	6	*Washer, Flat (M12)
	220-4569-04	1	MDKAE	24	232-3672-03	1	*Disc, Drive
2	508-1073	1	+Grommet	25	232-3826-02	1	*Spacer, Fan
3	234-0935-02	2	+Baffle, Air (3 Phase)	26	205-0229-02	1	*Fan, Generator
4	800-0310-02	6	+Screw, Hex Head Cap (1/4-20 x 1/2") (3 Phase)	27	232-3705-01	1	*Hub, Drive
5	853-0040-05	6	+Washer, ET Lock (1/4") (3 Phase)	28	201-3515-02	1	*Rotor, Exciter
				29	358-0069	1	*Diode, Positive
				30	358-0070	1	*Diode, Negative
6	526-0174	12	Washer, Flat (3/8)	31	526-0008	2	*Washer, Flat (#10)
7	800-0051	12	Screw, Hex Head Cap (3/8-16 x 1-1/4)	32	870-0131-01	8	*Nut, ET Hex (#10)
8	232-3706-02	4	Retainer, Endbell	33	526-0399-11	8	*Washer, Flat (#10)
9	815-0935	4	Screw, Hex Head Thread Forming (1/4-20 x 2")	34	853-0040-04	4	*Washer, ET Lock (#10)
10	853-0013	4	Washer, ET Lock (1/4")	35	822-2160-37	4	*Screw, Pan Head Machine (#10-32 x 1/2)
11	220-4413-02	1	Stator, Exciter	36	510-0112	1	*Bearing, Ball
12	211-0435-01	1	Endbell				
13	509-0094	1	Seal, O'Ring				
14	526-0399-42	12	Washer, Flat (3/8)				

+ - Parts Include in 3 Phase Generator Stator.

* - Parts Included in Generator Rotor Assy.

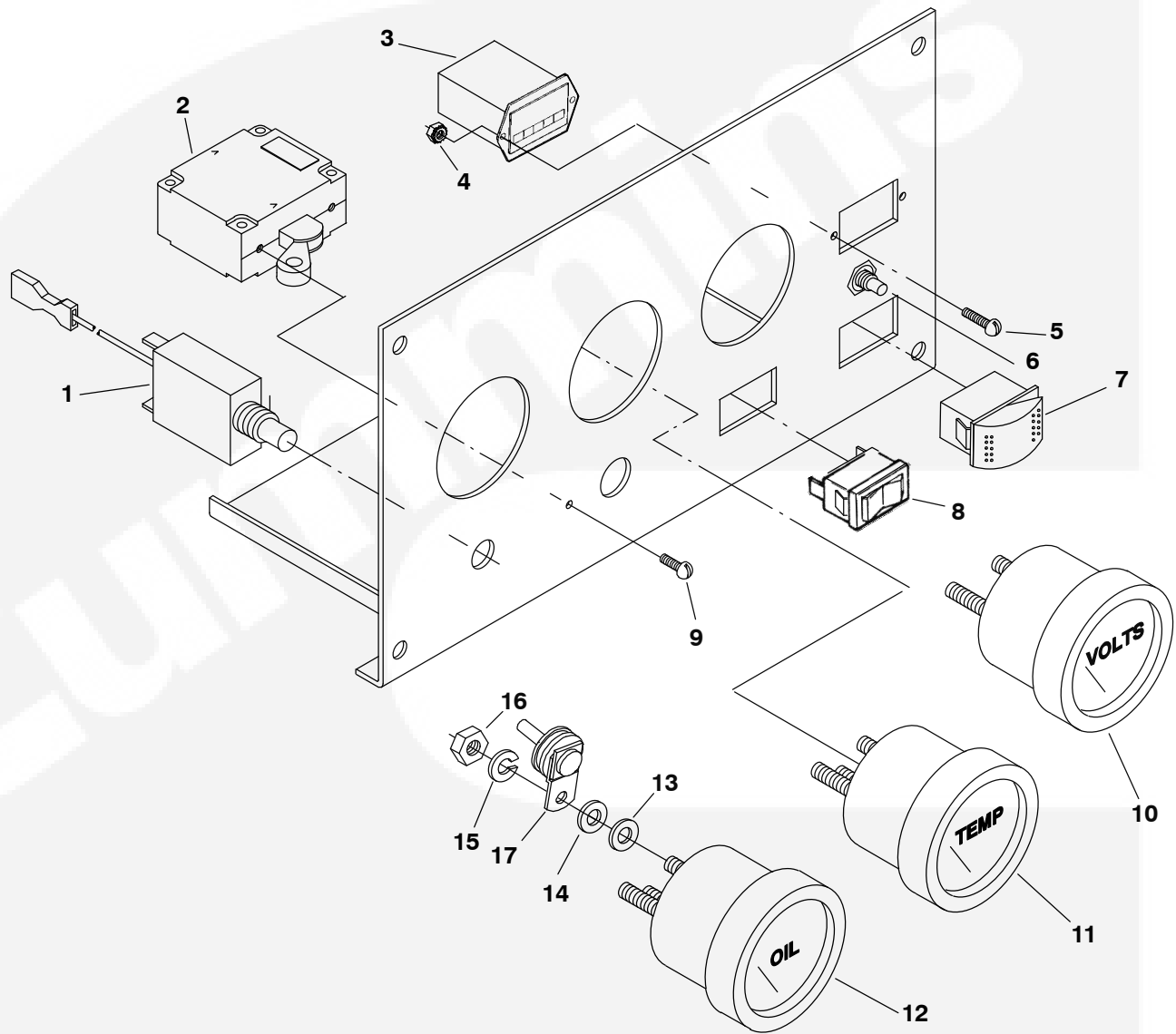
Control Box



Control Box

REF NO.	PART NO.	QTY USED	PART DESCRIPTION	REF NO.	PART NO.	QTY USED	PART DESCRIPTION
1	319-2106-04	1	Cover, Control Box	21	854-0014	1	Washer, IT Lock
2	815-0905-05	19	Screw, Lock Head Flange (#10-32 x 1/2")	22	810-0155	1	Bolt, Brass (1/4-20 x 1-1.4")
3			Panel Assy, Control (See Separate Page for Components) With Gauges	23	337-2795	1	Strap, Bond
			12V	24	821-0008	1	Screw, Round Head Machine (1/4-20 x 5/16")
	300-4658	1	Negative Ground	25			Breaker, Circuit (CB2) Single Pole (Use with Cover)
	300-4872	1	Isolated Ground	320-1690-10	1		55A
			24V	320-1690-03	1		60A
	300-4662	1	Negative Ground	320-1690-11	1		65A
	300-4874	1	Isolated Ground	320-1690-12	1		75A
			Without Gauges	320-1690-13	1		85A
			12V	320-1689-08	1		Two Pole
	300-4659	1	Negative Ground	320-1689-09	1		50A
	300-4873	1	Isolated Ground	320-1689-10	1		55A
			24V	320-1689-11	1		60A
	300-4663	1	Negative Ground	320-1689-12	1		65A
	300-4875	1	Isolated Ground	320-1689-13	1		70A
4	319-2114-03	1	Cover, Breaker	320-1689-13	1		75A
5	508-0063	1	Grommet	320-1689-15	1		85A
6	332-2370	1	Standoff	320-1689-17	1		95A
7	508-0179	1	Bushing, Strain Relief				Three Pole
8	871-0016	2	Nut, (1/4-32)	320-1891-03	1		20A
9	856-0006	3	Washer, ET (1/4-20)	320-1891-01	1		25A
10	526-0052	2	Washer, Brass (1/4-20)	320-1891-02	1		30A
11	870-0398	4	Clip, Nut (#10-32)	320-1891-04	1		35A
12	305-0896	1	Regulator, Voltage (SRA)	320-1836-06	1		40A
13			Harness, Engine (Includes Circuit Breaker, Boot and Nuts)	320-1836-07	1		45A
	338-2930	1	Spec A-B	320-1836-08	1		50A
	338-3387	1	Begin Spec C	320-1836-09	1		55A
14			Breaker, Circuit (CB3)(40A)	320-1836-10	1		60A
	320-1658	1	Spec A-B	320-1836-11	1		65A
	320-1928-01	1	Begin Spec C	320-1836-12	1		70A
15	416-1021-03	1	Boot	320-1836-13	1		75A
16	870-0131	2	Nut, ET Hex (10-32)	26	718-1036	1	Screw, Hex Head Cap (M8 x 20mm)
17	319-2107-03	1	Box, Control	27	856-0008	2	Washer, EIT Lock
18	320-1813-02	1	Cover, Plate (Use with Single Pole Circuit Breaker)	Shipped Loose in Plastic Bag:			
19			Screw, Cross Recessed ET Pan Head (#6-32 x 3/8")	323-1591	2		Plug, Seal
	815-0550-01	4	1 Phase Sets	323-1543	1		Wedge, Plug
	815-0550-01	6	3 Phase Sets	323-1541	1		Plug (8 Pin)
20			Panel, Breaker				
	319-2108-03	1	1 Phase				
	319-2113-03	1	3 Phase				

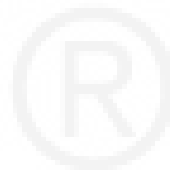
Control Panel



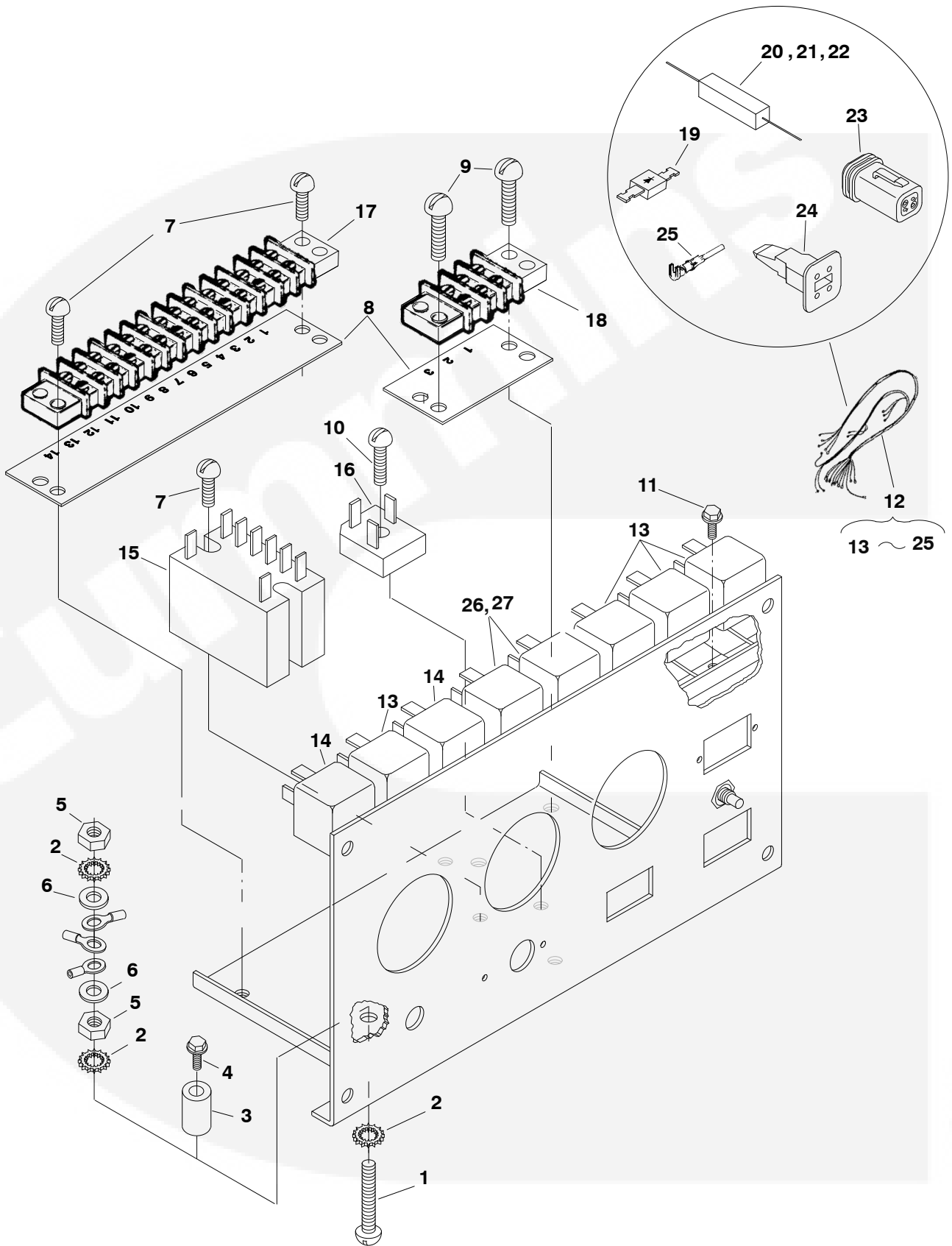
Control Panel

REF NO.	PART NO.	QTY USED	PART DESCRIPTION	REF NO.	PART NO.	QTY USED	PART DESCRIPTION
			Panel Assy, Control (Includes Parts Marked *)	2	320-1862-01	1	*Breaker, Circuit (50A) (CB1)
			Spec A	3	302-0885	1	*Meter, Time Totalizing (M1)
			With Gauges	4	870-0183	2	*Nut, ET Hex (#6-32)
			12V Sets	5	815-0385	2	*Screw, Round Head Machine (#6-32 x 1/2")
300-4658		1	Negative Ground	6	320-1769-01	1	Breaker, Circuit (2A) (CB5) (Begin Spec B)
300-4872		1	Isolated Ground	7	308-1027	1	*Switch, Rocker (S1)
			24V Sets	8			*Breaker, Circuit (CB4)
300-4662		1	Negative Ground		320-1710	1	12V Sets (20A)
300-4874		1	Isolated Ground		320-1140	1	24V Sets (15A)
			Without Gauges	9	812-0059	2	*Screw, Round Head Machine (6-32 x 1/4")
			12V Sets				*Voltmeter (M4)
300-4659		1	Negative Ground	10			12V Sets (8-18V)
300-4873		1	Isolated Ground		302-1641	1	24V Sets (16-36V)
			24V Sets		302-1642	1	*Gauge, Coolant Temperature (M3)
300-4663		1	Negative Ground	11	193-0351	1	*Gauge, Oil Pressure (M2)
300-4875		1	Isolated Ground				*Washer, Nylon Flat (#10)
			Begin Spec B	12	193-0352	1	*Washer, Brass Flat (#10)
			With Gauges	13	526-0409	8	*Washer, Lock (#10)
			12V Sets	14	526-0049	8	*Nut, Hex Brass Machine (#10-32)
300-5243		1	Negative Ground	15	850-0030	8	*Resistor (24V Sets With Gauges) (R4, R5)
300-5244		1	Isolated Ground	16	871-0010	10	
			24V Sets	17	193-0250	2	
300-5245		1	Negative Ground				
300-5246		1	Isolated Ground				
			Without Gauges				
			12V Sets				
300-5247		1	Negative Ground				
300-5248		1	Isolated Ground				
			24V Sets				
300-5249		1	Negative Ground				
300-5250		1	Isolated Ground				
1	320-1863	1	*Breaker Assy (Includes Terminal)				

* - Parts Included in Control Panel Assy (Also include Parts Marked on Control Harness Page).



Control Harness



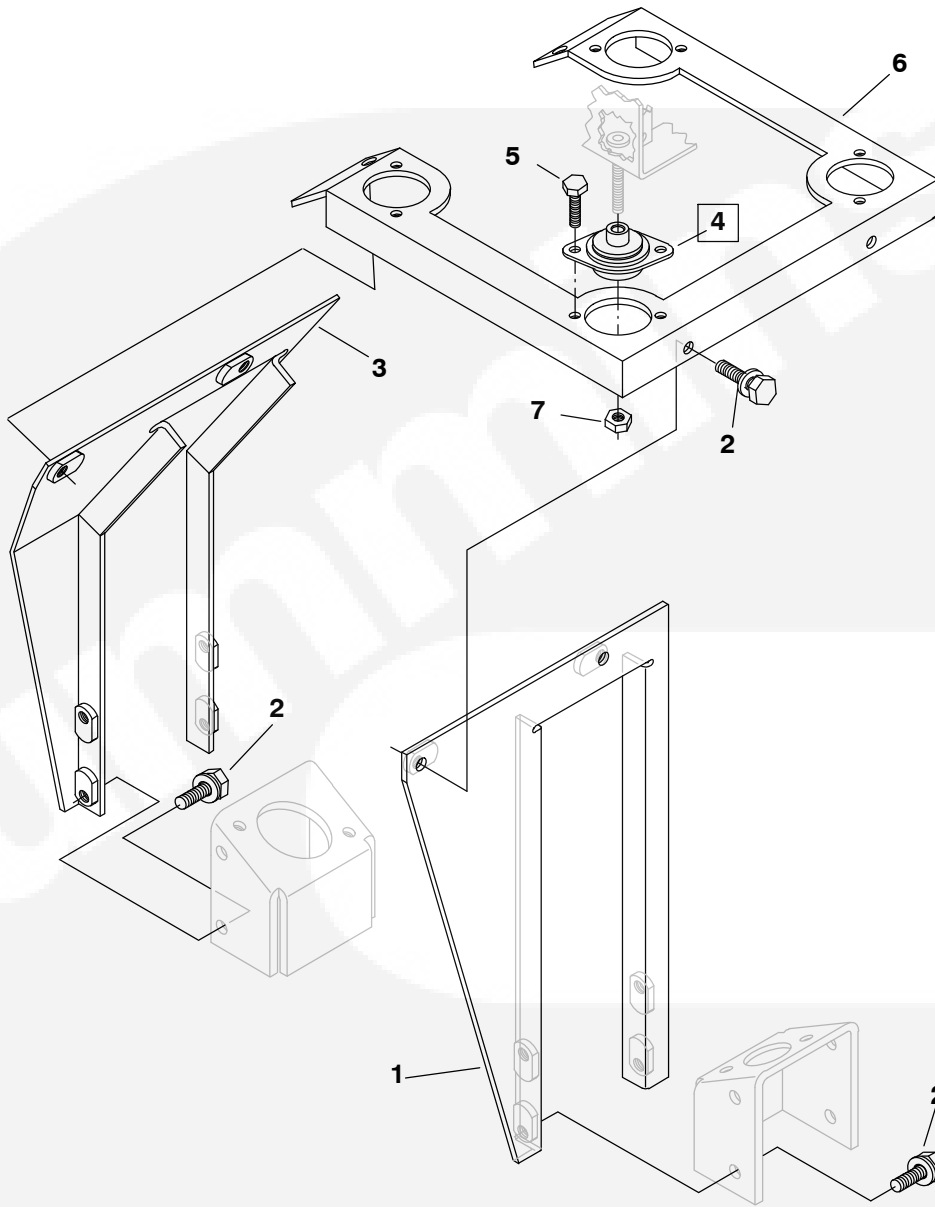
Control Harness

REF NO.	PART NO.	QTY USED	PART DESCRIPTION	REF NO.	PART NO.	QTY USED	PART DESCRIPTION
1	810-0155	1	*Screw Round Head Machine Brass (1/4-20 x 1-1/4") (Negative Ground)	14	307-2817-01	2	+ Relay (K5, K8) 12V Sets
	821-0010	1	Lock Head (1/4-20 x 1/2") (Isolated Ground)	15	307-2817-02	2	24V Sets
2	856-0006	3	*Washer Lock EIT (1/4") (Negative Ground)	16	307-2828-01	1	+ Relay (K4) 12V Sets
	526-0052	1	Brass Flat (1/4") (Isolated Ground)	17	307-2828-02	1	24V Sets
3	332-2370	1	*Standoff, Insulator (Isolated Ground)	18	305-0548	1	+ Rectifier, Bridge (CR1)
4	821-0008	1	*Screw, Lock Head (Isolated Ground) (1/4-20 x 5/16")	17	332-3385	1	+ Block, Terminal (14 Position) (TB2)
5	871-0016	2	*Nut, Hex Brass Machine (1/4-20) (Negative Ground)	18	332-3297	1	+ Block, Terminal (3 Position) (TB1)
6	526-0052	2	*Washer, Brass Flat (1/4") (Negative Ground)	19	357-0030	3	+ Rectifier (CR2, CR3, CR4)
7	812-0079	4	*Screw, Round Head Machine (#8-32 x 3/8")	20	353-0053	1	+ Resistor (R1) 12V Sets (10 Ohms, 10W)
8	332-3296	1	*Marker, Strip 14 Pos.	21	352-0197	1	24V Sets (36 Ohms, 15W)
	332-3298	1	3 Pos.	22	352-0194	1	+ Resistor (R2) 12V Sets (10 Ohms, 5W)
9	813-0102	2	*Screw, Round Head Machine (10-32 x 5/8")	22	352-0196	1	24V Sets (24 Ohms, 10W)
10	815-0539	1	*Screw, Round Head Machine (#8-32 x 5/8")	23	352-0195	1	+ Resistor (R3) 12V Sets (8.5 Ohms, 5W)
11	821-0004	6	*Screw, Lock (#10-32 x 5/16")	23	352-0198	1	24V Sets (18 Ohms, 10W)
12	338-3246	1	*Harness, Control (Includes Parts Marked +) With Gauges 12V Sets	24	323-1546	1	+ Plug, (4 Pin) (P2)
	338-3248	1	24V Sets	24	323-1548	1	+ Wedge, Plug (P2)
	338-3247	1	12V Sets	25	323-1492	4	+ Pin (P2)
	338-3249	1	24V Sets	26			Harness, Relay (Includes Relay) (Isolated Ground) 12V
13	307-1886	4	+ Relay (K1, K2, K3, K6) 12V Sets		338-3383-01	1	K10, 7" (3 Leads)
	307-2643	4	24V Sets		338-3383-02	1	K11, 3" (4 Leads)
							24V
					338-3383-03	1	K10, 7" (3 Leads)
					338-3383-04	1	K11, 3" (4 Leads)
				27			Relay, K10, K11 (Isolated Ground)
					307-1886	1	12V
					307-2643	1	24V

* - Parts Included in Control Panel Assy Listed on Control Panel Page.

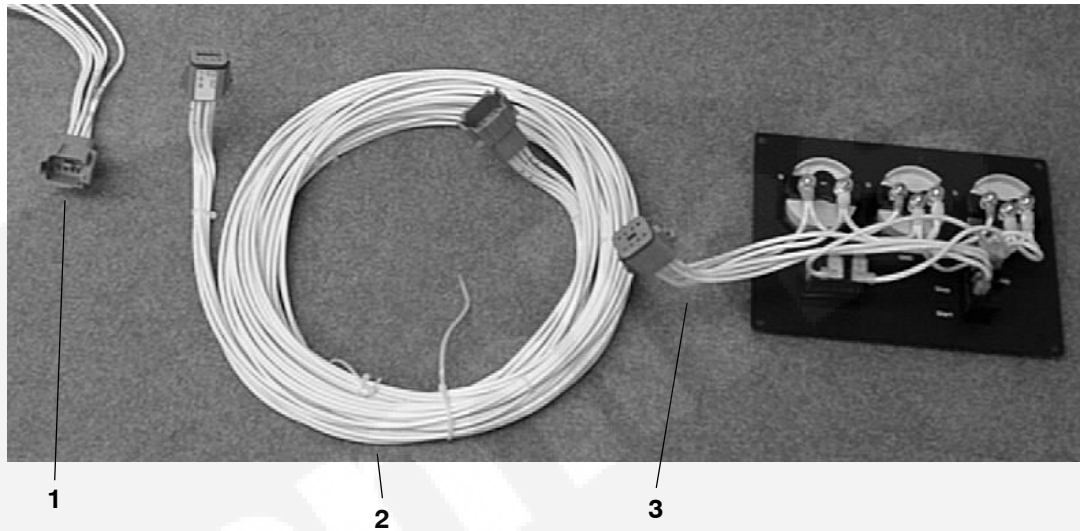
+ - Parts Included in Control Harness.

Control Box Mount



REF NO.	PART NO.	QTY USED	PART DESCRIPTION	REF NO.	PART NO.	QTY USED	PART DESCRIPTION
1	319-2493-03	1	Support, Control Bracket	6	319-2954-04	1	Bracket, Control Mounting
2	821-6003-02	12	Bolt (M8 x 16)	7	870-0257	4	Nut, Self-Lock
3	319-2494-03	1	Support, Control Bracket				
4	402-0681	4	Isolator, Vibration				
5	815-0498	8	Screw, Hex Head Thread Forming				

Harness Location

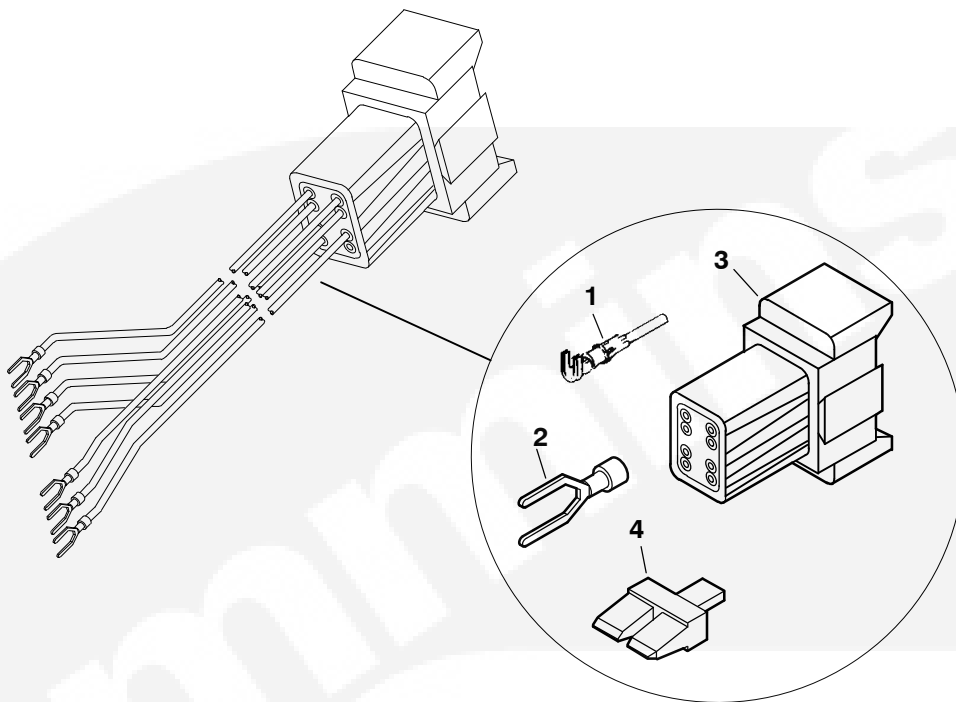


REF NO.	PART NO.	QTY USED	PART DESCRIPTION
1	*	-	Harness, Remote Control (Reaches From Control Terminal Board to Extension or Customer Interface Pigtail Harness)
2	*	-	Harness, Extension (Or Customer Interface Pigtail) (Reaches From Remote Control Harness to Remote Panel Harness or Customer Hookup)
3	*	-	Harness, Remote Panel (Reaches From Remote Panel to Extension Harness)

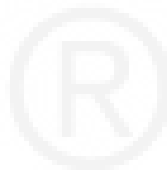
* - See Index for Page Numbers of Detailed Descriptions and Part Numbers.



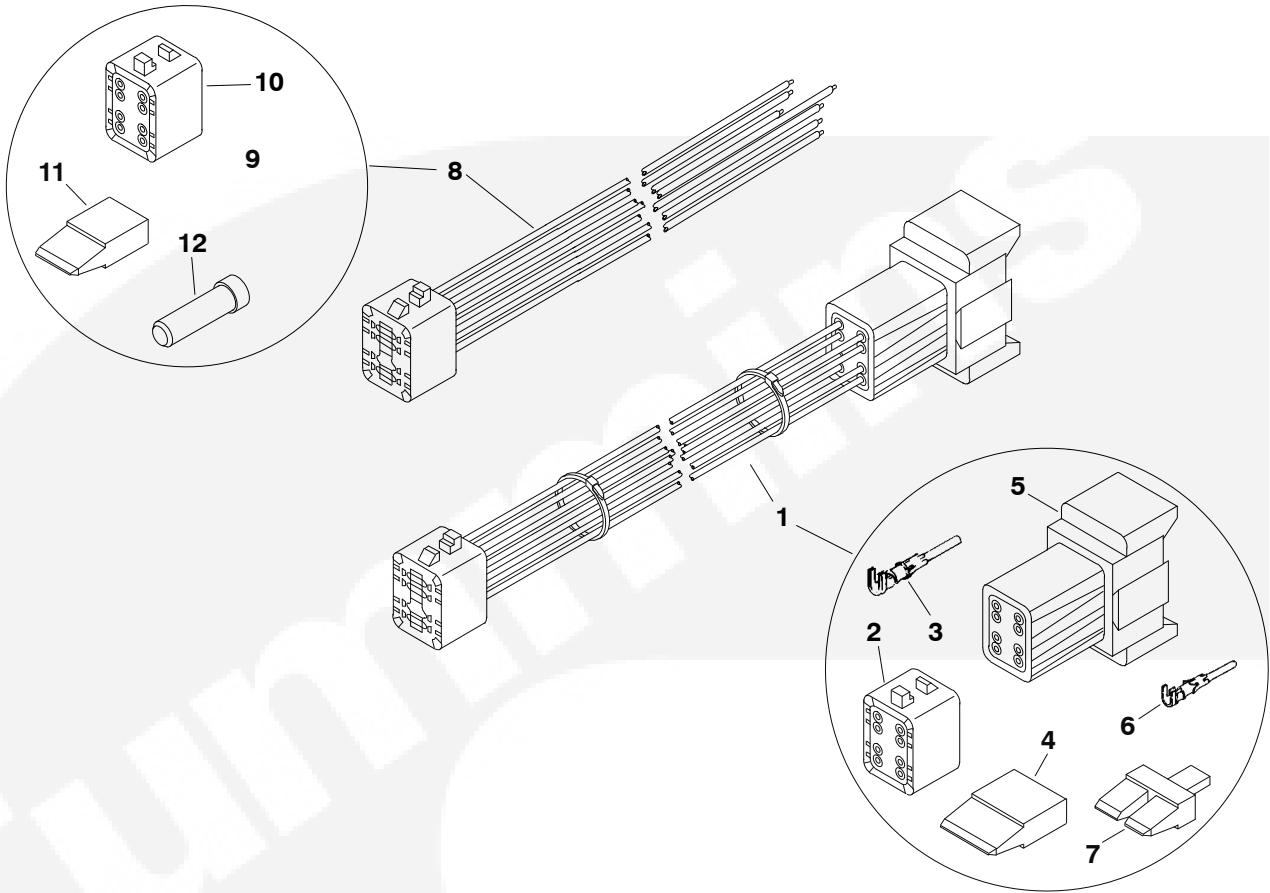
Remote Control Harness



REF NO.	PART NO.	QTY USED	PART DESCRIPTION	REF NO.	PART NO.	QTY USED	PART DESCRIPTION
	338-3093	1	Harness, Remote Control (21") (Reaches From Terminal Block to Extension Harness or Customer Interface Pigtail Harness)	1	323-1491	7	°Terminal, Pin
				2	332-2683	7	°Terminal, Spade
				3	323-1542	1	°Housing, Receptacle (8 Pin)
				4	323-1544	1	°Wedge, Receptacle (8 Pin)

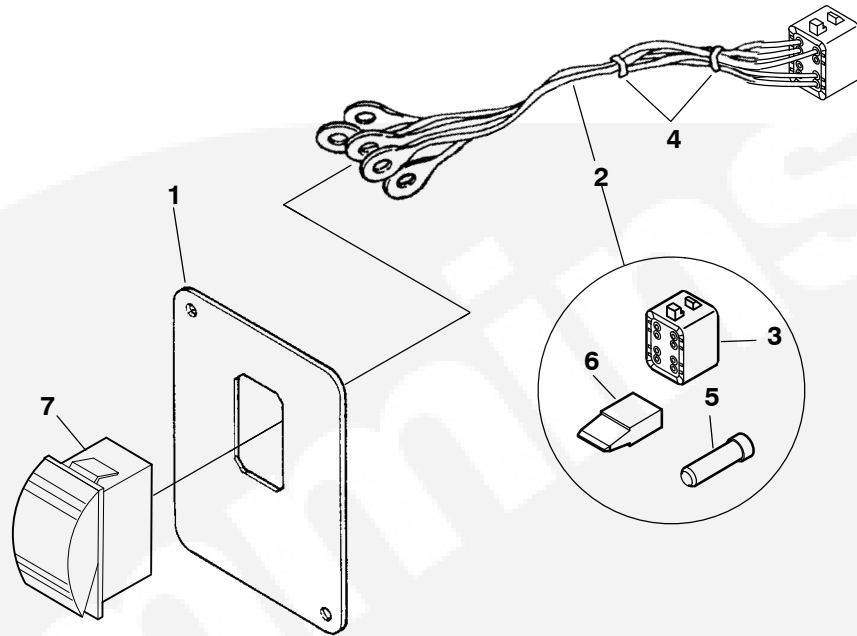


Extension and Pigtail Harness (Deutsch Connector – Gray)



REF NO.	PART NO.	QTY USED	PART DESCRIPTION	REF NO.	PART NO.	QTY USED	PART DESCRIPTION
1			Harness, Extension (Reaches From Remote Control Harness to Remote Panel Harness) (Includes Parts Marked #)	7	323-1544	1	#Wedge, Receptacle (8 Pin)
	338-3167	1	15 feet	8	338-3098	1	Harness, Pigtail (Customer Interface) (12") (Reaches from Remote Control Harness to Customer Hookup) (Includes Parts Marked *)
	338-3168	1	25 feet	9	323-1492	7	*Terminal, Socket
	338-3169-00	1	45 feet	10	323-1541	1	*Plug (8 Pin)
	338-3169-01	1	75 feet	11	323-1543	1	*Wedge, Plug (8 Pin)
	338-3169-02	1	100 feet	12	323-1591	1	*Plug, Connector
	338-3169-03	1	150 feet				
2	323-1541	1	#Plug (8 Pin)				# – Parts Included in Extension Harness.
3	323-1492	8	#Terminal, Socket				* – Parts Included in Pigtail (Customer Interface) Harness.
4	323-1543	1	#Wedge, Plug (8 Pin)				
5	323-1542	1	#Receptacle (8 Pin)				
6	323-1491	8	#Terminal, Pin				* – Parts Included in Remote Panel Harness.

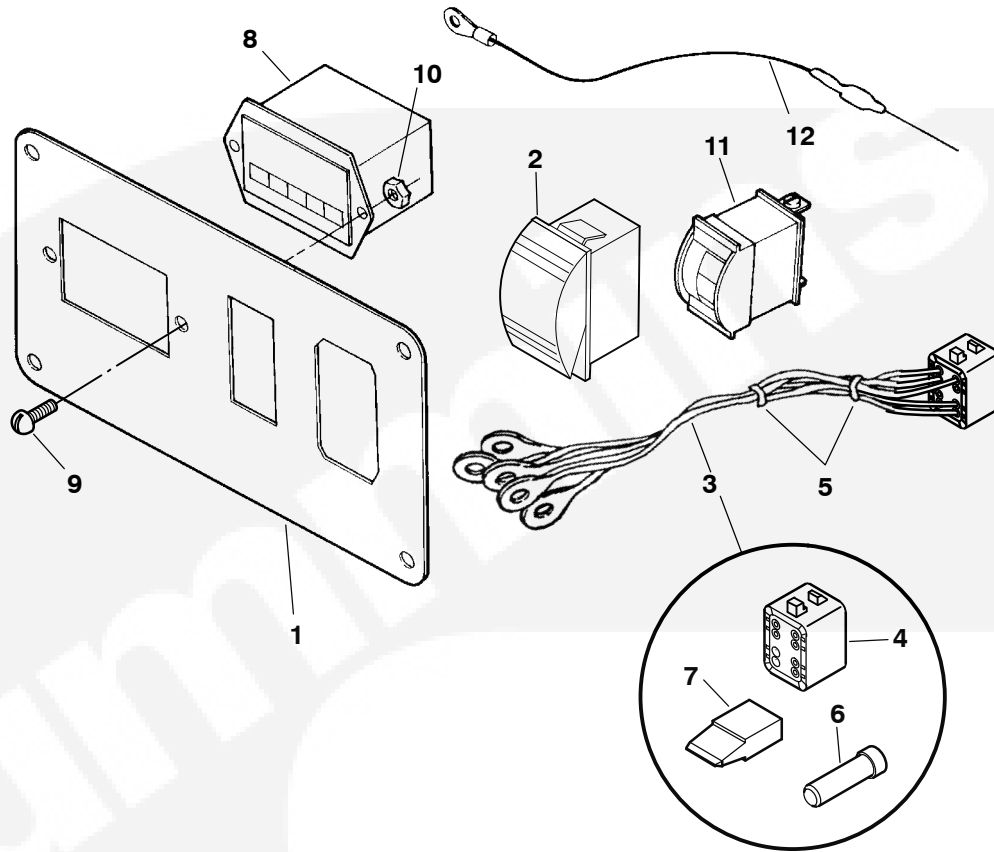
Basic Remote Control Panel (Ring Terminals)



REF NO.	PART NO.	QTY USED	PART DESCRIPTION	REF NO.	PART NO.	QTY USED	PART DESCRIPTION
	300-4679	1	Panel Assy, Remote 12V	4	332-1445	2	*Tie, Cable
	300-4680	1	24V	5	323-1591	3	*Plug, Connector
1	319-0491	1	Panel, Remote	6	323-1543	1	*Wedge, Plug (8 Pin)
2	338-3170	1	Harness, Remote Panel (Reaches From Remote Panel to Extension Harness) (Includes Parts Marked *)	7			Switch, Rocker
					308-0827	1	12V
					308-0975	1	24V
3	323-1541	1	*Plug (8 Pin)				

* - Parts Included in Remote Panel Harness.

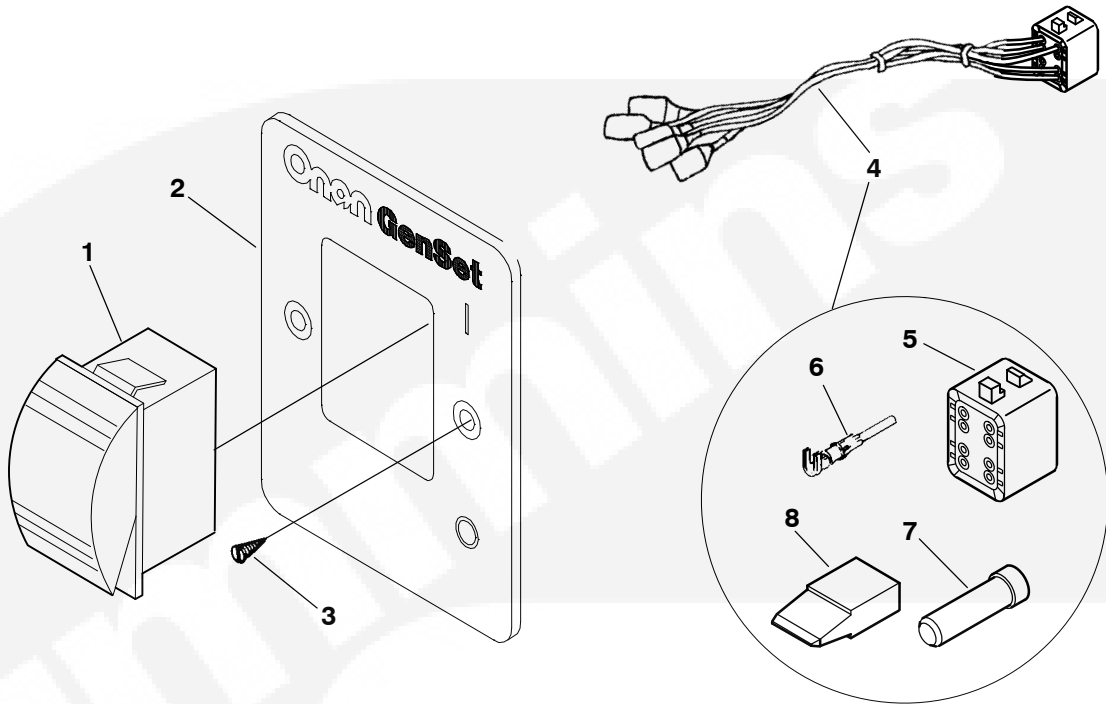
Deluxe Remote Control Panel (Ring Terminals)



REF NO.	PART NO.	QTY USED	PART DESCRIPTION	REF NO.	PART NO.	QTY USED	PART DESCRIPTION
	300-4681	1	Panel Assy, Deluxe Remote (12V Only)	7	323-1543	1	*Wedge, Plug (8 Pin)
1	319-0492	1	Panel, Remote	8	302-0885	1	Meter, Running Time (M11)
2	308-0827	1	Switch, Rocker	9	815-0385	2	Screw, Round Head Machine (#6-32 x 1/2")
3	338-3170	1	Harness, Remote Panel (Reaches From Remote Panel to Extension Harness) (Includes Parts Marked *)	10	870-0183	2	Nut, Hex (#6-32)
4	323-1541	1	*Plug (8 Pin)	11	302-0888	1	Meter, Battery Voltage (M14)
5	332-1445	2	*Tie, Cable	12	359-0034	1	Diode and Lead Assy
6	323-1591	3	*Plug, Connector				

* - Parts Included in Remote Panel Wiring Harness.

Remote Control Panel

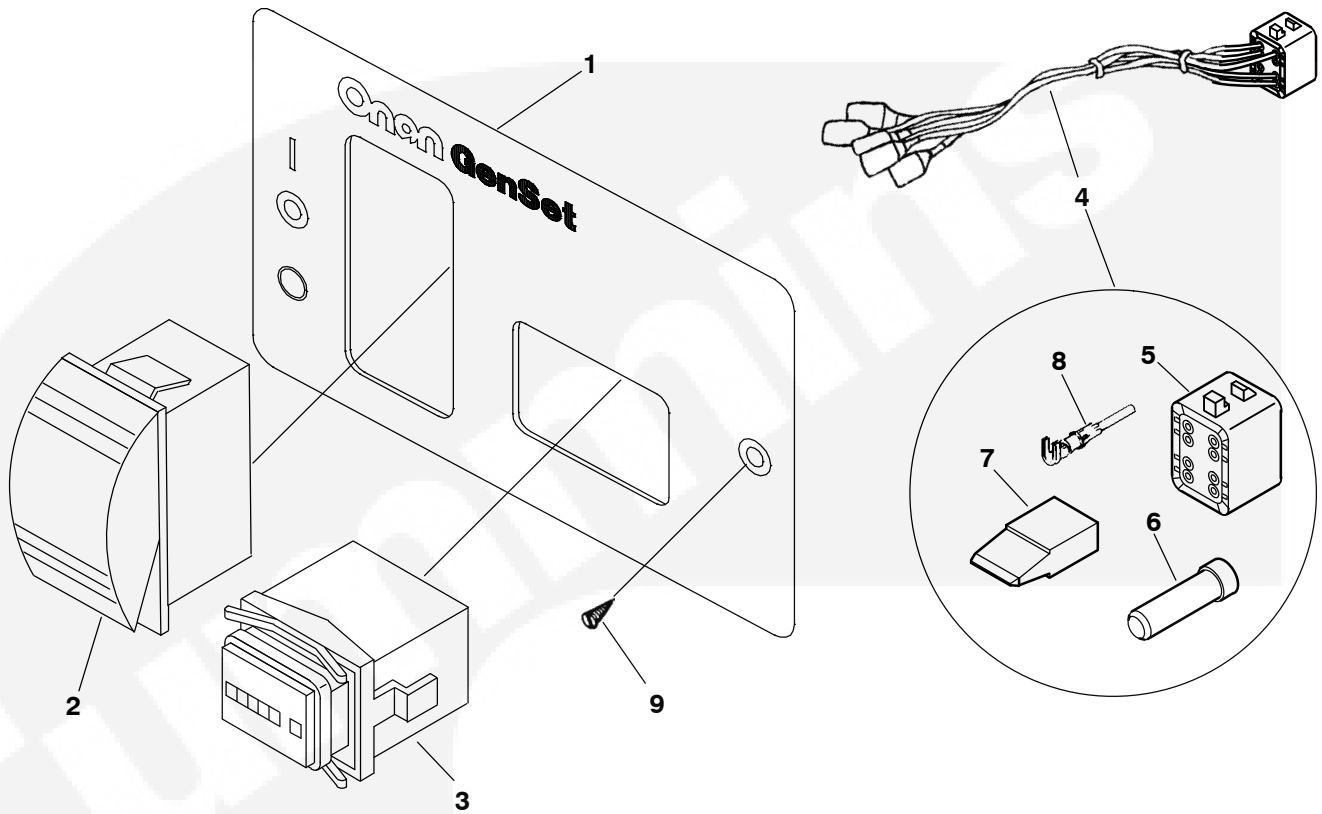


REF NO.	PART NO.	QTY USED	PART DESCRIPTION
			Kit, Remote Control Panel
	300-4990-01	1	12V
	300-4990-02	1	24V
1			Switch, Rocker (S11)
	308-1062	1	12V
	308-1062-01	1	24V
2	319-2339-02	1	Panel, Remote (Includes Printing)
3	815-0910	2	Screw, Wood (#6 x 1)
4	338-3598	1	Harness, Remote Panel (Reaches From Remote Panel to Extension Harness) (Includes Parts Marked *)

REF NO.	PART NO.	QTY USED	PART DESCRIPTION
5	323-1541	1	*Plug (8 Pin) (J4)
6	323-1492	5	*Pin, Contact
7	323-1591	3	*Plug, Seal
8	323-1543	1	*Wedge, Plug (8 Pin)

* - Parts Included in Remote Panel Harness.

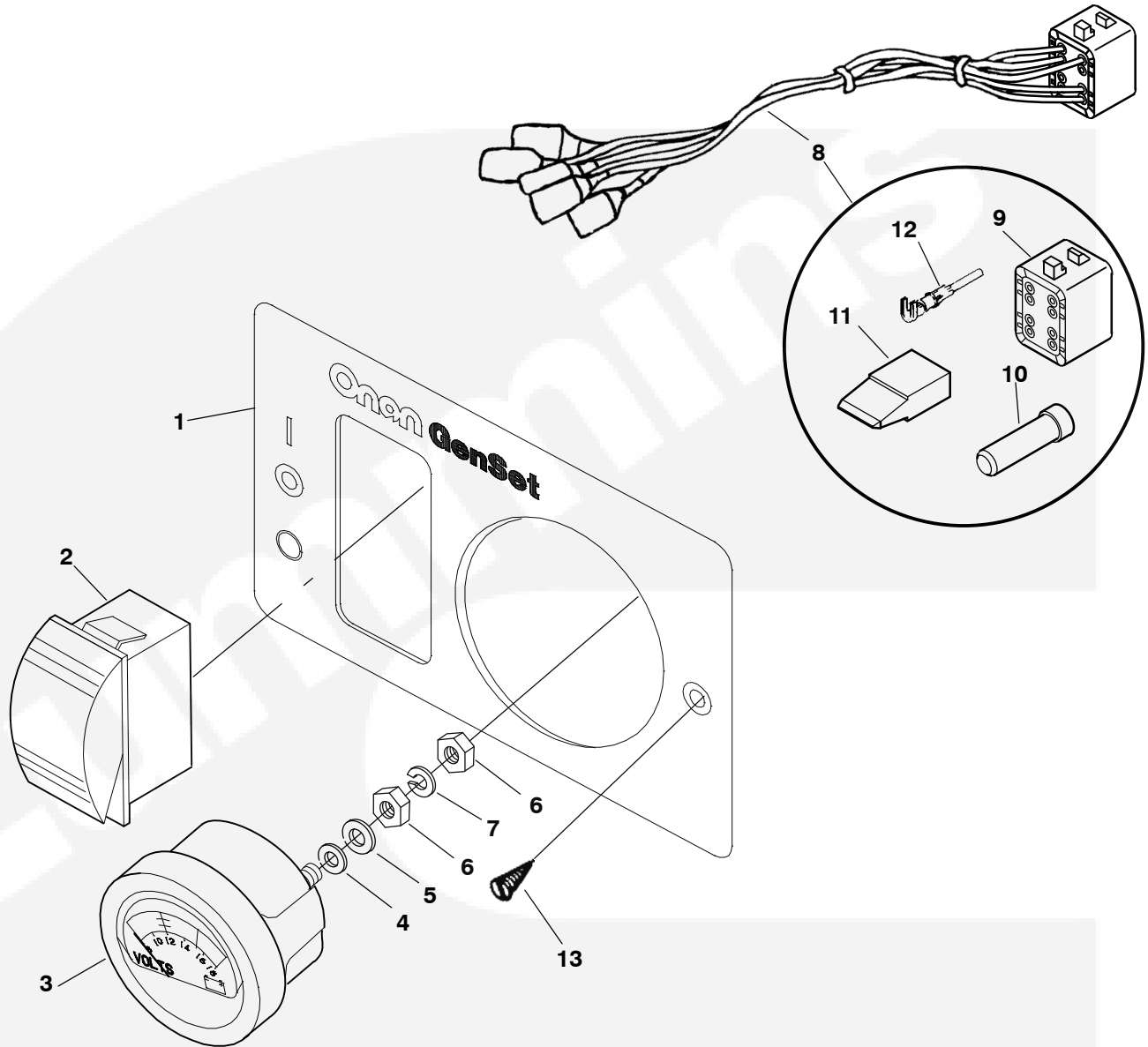
Deluxe Remote Control Panel with Hour Meter



REF NO.	PART NO.	QTY USED	PART DESCRIPTION	REF NO.	PART NO.	QTY USED	PART DESCRIPTION
	300-4991-01	1	Kit, Deluxe Panel	5	323-1541	1	*Plug (8 Pin) (J4)
	300-4991-02	1	12V	6	323-1591	3	*Plug, Connector
1	312-2340-04	1	Panel, Remote	7	323-1543	1	*Wedge, Plug (8 Pin)
2	308-1062	1	Switch, Rocker (S11)	8	323-1492	5	*Pin, Contact
	308-1062-01	1	12V	9	815-0910	2	Screw, Wood (#6 x 1)
3	302-2002	1	Meter, Hour (M11)				
4	338-3599	1	Harness, Remote Panel (Reaches From Remote Panel to Extension Harness) (Includes Parts Marked *)				

* - Parts Included in Remote Panel Wiring Harness.

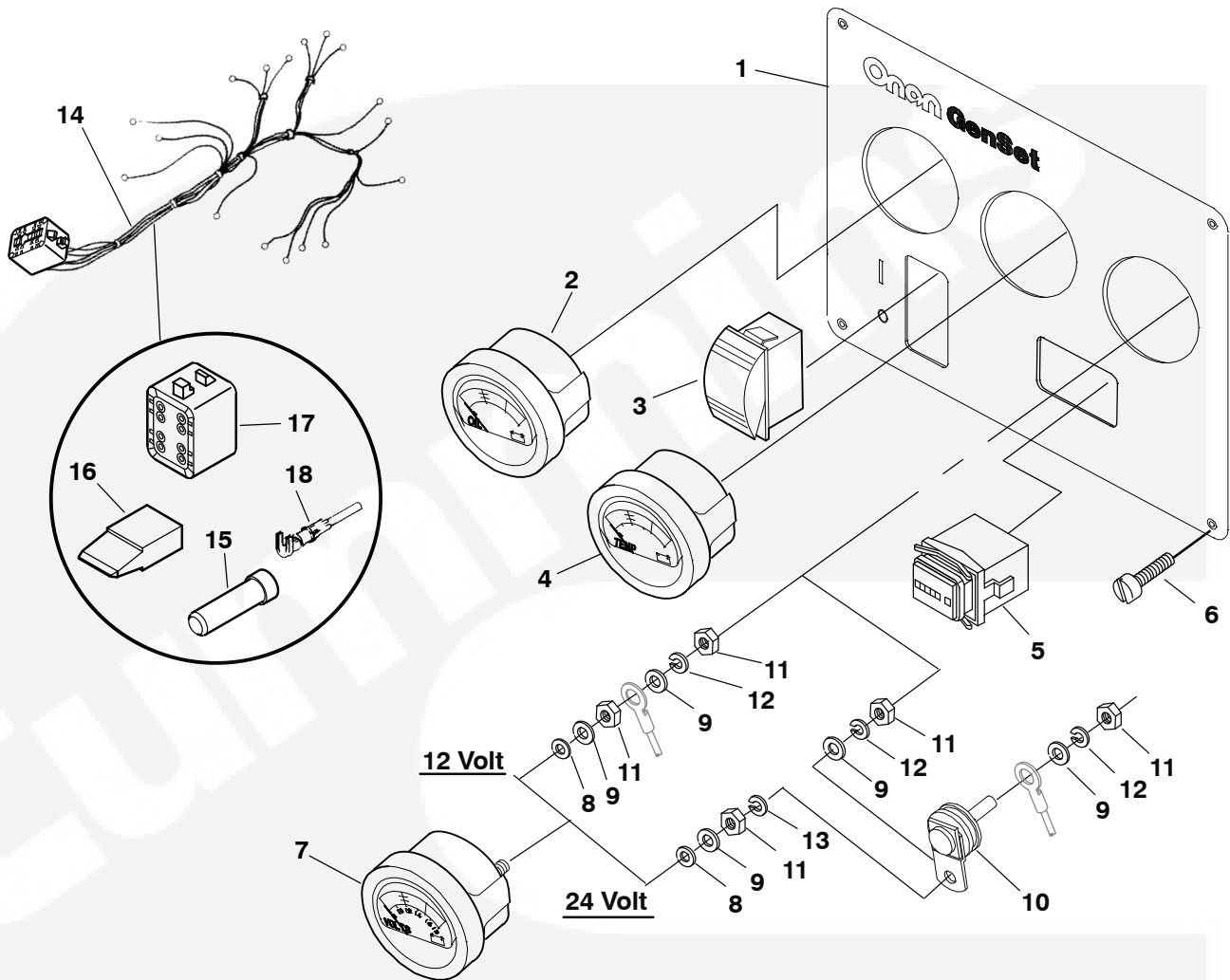
Deluxe Remote Control Panel with Volt Meter



REF NO.	PART NO.	QTY USED	PART DESCRIPTION	REF NO.	PART NO.	QTY USED	PART DESCRIPTION
			Kit, Remote Panel	7	850-0030	2	Washer, Lock
	300-4989-01	1	12V	8	338-3597	1	Harness, Remote Panel (Reaches From Remote Panel to Extension Harness) (Includes Parts Marked *)
	300-4989-02	1	24V				
1	319-3132-01	1	Panel, Remote				
2			Switch, Rocker (S11)	9	323-1541	1	*Plug (8 Pin) (J4)
	308-1062	1	12V	10	323-1591	3	*Plug, Connector
	308-1062-01	1	24V	11	323-1543	1	*Wedge, Plug (8 Pin)
3			Meter, Volt (M14)	12	323-1492	5	*Pin, Contact
	302-1641	1	12V (8-18V)	13	815-0910	2	Screw, Wood (#6 x 1)
	302-1642	1	24V (16-36V)				
4	526-0409	2	Washer, Nylon				
5	526-0049	4	Washer, Flat				
6	871-0010	4	Nut, Hex Brass (10-32)				

* - Parts Included in Remote Panel Wiring Harness.

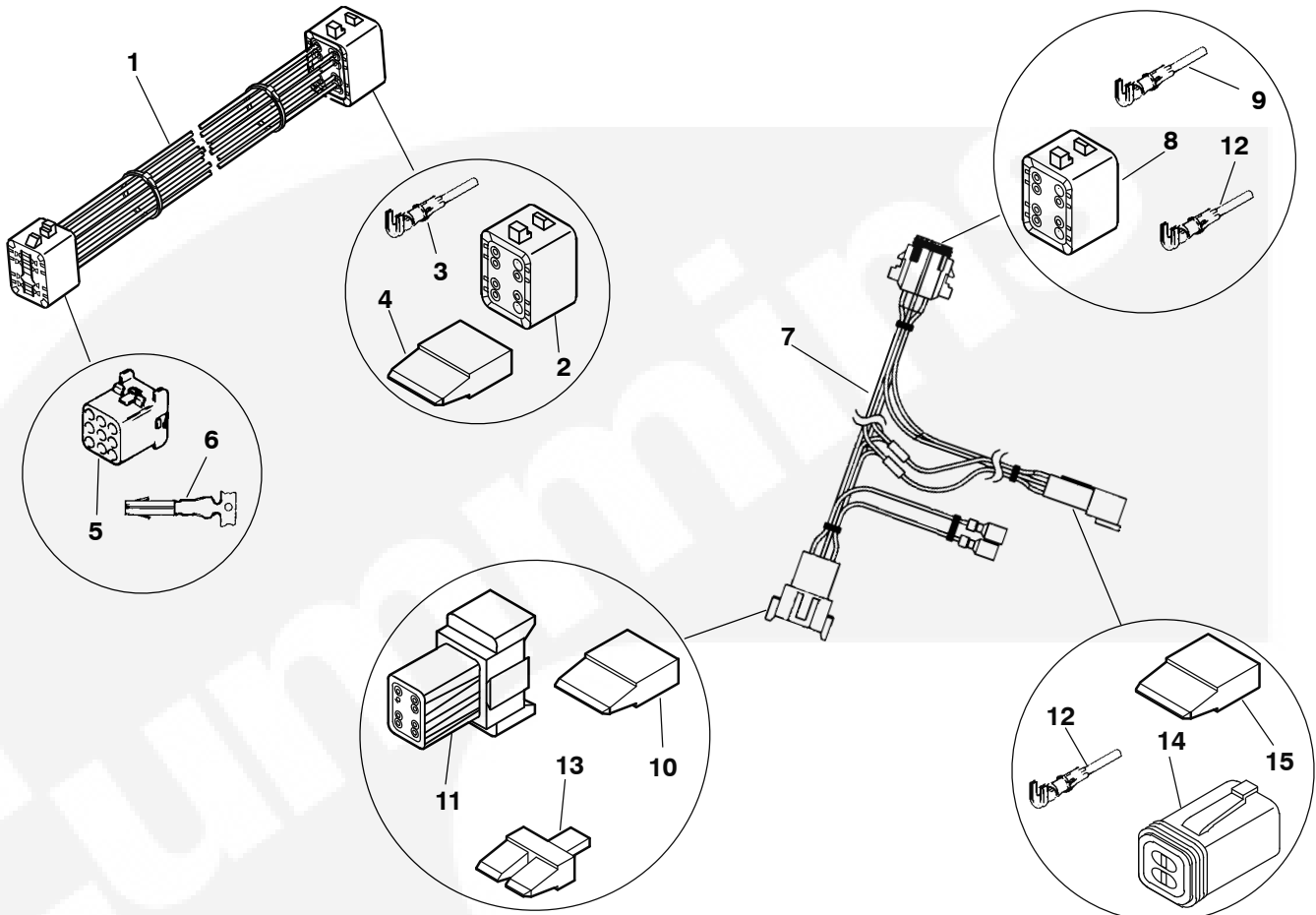
Remote Gauge Controls (Push-On Terminals)



REF NO.	PART NO.	QTY USED	PART DESCRIPTION	REF NO.	PART NO.	QTY USED	PART DESCRIPTION
			Kit, Remote Gauge Panel	10	193-0250	1	Resistor (24V Only)
	300-5018-01	1	12V	11			Nut, Brass Hex (#10-32)
	300-5018-02	1	24V		871-0010	16	12V
1	319-3254-02	1	Panel, Remote		871-0010	18	24V
2	193-0352	1	Gauge, Oil Pressure (M12)	12			Washer, Lock (#10)
3			Switch, Rocker (SPDT) (S11)		850-0030	8	12V
	308-1062	1	12V Sets		850-0030	10	24V
	308-1062-01	1	24V Sets	13	853-0008	2	Washer, ET Lock (#10) (24V Only)
4	193-0351	1	Gauge, Water Temperature (M13)	14	338-3625	1	Harness, Remote Panel (Reaches From Remote Panel to Extension Harness) (Includes Parts Marked +)
5	302-2002	1	Meter, Running Time (M11)				
6	808-0023	4	Screw, Pan Head Sheet Metal (#8 x .50)	15	323-1591	1	+ Plug, Seal
7			Meter, Volt (M14)	16	323-1543	1	+ Wedge, Plug (8 Pin)
	302-1641	1	12V Sets (8-18V)	17	323-1541	1	+ Plug (8 Pin) (P4)
	302-1642	1	24V Sets (18-34V)	18	323-1492	7	+ Contact, Socket
8	526-0409	8	Washer, Nylon (.194")				
9			Washer, Brass Flat (#10-32)				
	526-0049	16	12V				
	526-0049	18	24V				

+ - Parts Included in Remote Panel Harness

Adapter and Junction Harness



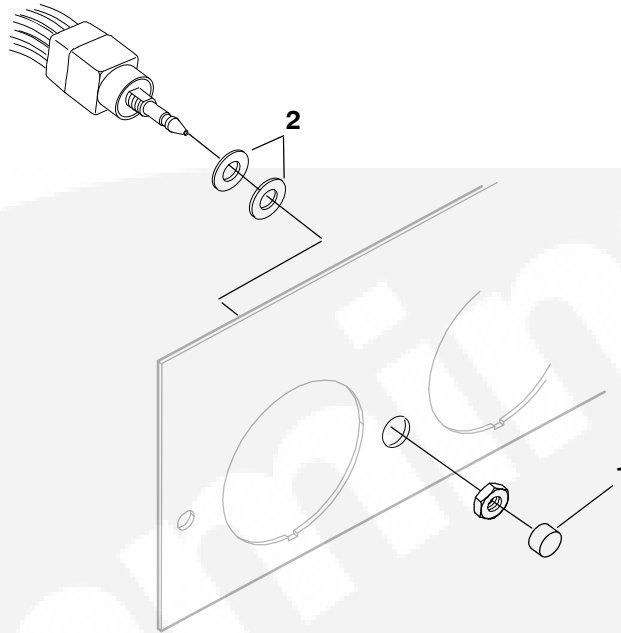
REF NO.	PART NO.	QTY USED	PART DESCRIPTION	REF NO.	PART NO.	QTY USED	PART DESCRIPTION
1			*Harness, Adapter (Includes Parts Marked °)	8	323-1541	1	+ Plug (9 Pin)
	338-3695	1	Single Circuit for On/Off /Preheat	9	323-1492	AR	+ Terminal, Socket
	338-3696	1	Two Circuits for On/Off and Preheat	10	323-1543	1	+ Wedge, Plug (8 Pin)
2	323-1541	1	° Plug (9 Pin)	11	323-1542	1	+ Receptacle (8 Pin)
3	323-1492	AR	° Terminal, Socket	12	323-1491	8	+ Terminal, Pin
4	323-1543	1	° Wedge, Plug (8 Pin)	13	323-1544	1	+ Wedge, Receptacle (8 Pin)
5	323-1325	1	° Cap, Connector	14	323-1549	1	+ Socket, Receptacle (4 Pin)
6	323-1200	AR	° Socket, Contact	15	323-1547	1	+ Wedge, Lock Receptacle (4 Pin)
7	338-3697	1	*Harness, Junction (Includes Parts Marked +)				

* - See Accessory Manual for Application Description.

° - Parts Included in Adapter Harness.#

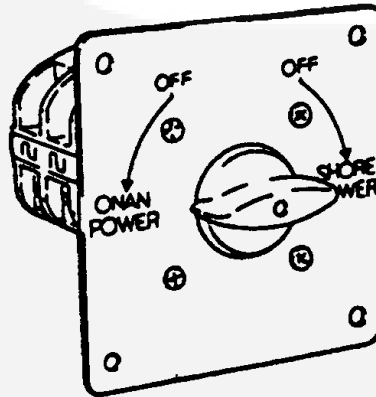
+ - Parts Included in Remote Extension Harness.

Dual Gauge Switch



REF NO.	PART NO.	QTY USED	PART DESCRIPTION	REF NO.	PART NO.	QTY USED	PART DESCRIPTION
300-4835		1	Kit, Dual Gauge Switch (Nut is Part of Switch)	1	308-1072	1	Cap, Switch
				2	850-0038	2	Washer, Flat (1/4)

Manual Transfer Switch MDKAD, MDKAE



REF NO.	PART NO.	QTY USED	PART DESCRIPTION
308-0269		1	Switch, On Shore/Off Shore Rotary 120V (2 Wire)
308-0270		1	120/240V (3 Wire)

Isolated Ground System Unique Parts*

REF NO.	PART NO.	QTY USED	PART DESCRIPTION	REF NO.	PART NO.	QTY USED	PART DESCRIPTION
			Isolated Ground Insulation Assy	130-4411-03		1	Bracket, Belt Guard (Bottom)
337-2832		1	Isolator, Ground	130-4414-03		1	Guard, Belt
337-2833-02		1	Strip, Ground	800-2029		2	Screw, Hex Head Cap (M6 x 12mm)
802-0038		1	Screw, Socket Head (1/4-20 x 1.5")				
802-0057		1	Screw, Socket Head (5/16-18 x 1.5")				Panel Assy, Control (Includes But is Not Limited to Parts Marked °)
856-0006		1	Washer, EIT Lock (1/4")				Without Gauges
856-0008		1	Washer, EIT Lock (5/16")				12V
862-0001		1	Nut, Hex (1/4-20)	300-4873		1	24V
862-0015		1	Nut, Hex (5/16-18)	300-4875		1	With Gauges
800-2115		1	Screw, Hex Head Cap (M12 x 45mm)	300-4872		1	12V
				300-4874		1	24V
			Alternator, Complete				°Marker, Strip (14 Pos.)
191-2169-02		1	12V	332-3296		1	14 Pos.
191-2169-01		1	24V	332-3298		1	3 Pos.
191-2168-03		1	Bracket, Adjusting	821-0010		1	°Screw, Lock Head (1/4-20 x .5")
800-0104		1	Bolt				°Screw, Lock Head (1/4-20 x .312)
850-0060		1	Washer, Spring	821-0008		1	°Washer, Flat Brass (1/4")
526-0045		1	Washer, Lock	526-0052		1	°Standoff, Insulator
800-0028		1	Screw, Hex Head Cap (5/16-18 x 1)	332-2370		1	
850-0045		1	Washer, Spring				Relay, Solenoid
511-0186		1	Belt				12V
526-0219		1	Washer, Flat	307-1617		1	24V
862-0016		1	Nut	307-2656		1	
191-2170		1	Pulley, Alternator	191-2166-03		1	Bracket, Solenoid Relay (Isolated Ground)
718-1048		1	Screw, Hex Head Cap (M8 x 80)				Screw, Hex Head Cap (M10 x 16mm) (Isolated Ground)
800-2100		1	Screw, Hex Head Cap (M10 x 100)	800-3018		2	Washer, Flat (M6) (Isolated Ground)
526-2133		1	Washer, (M10)				
850-2010		1	Washer, Lock (M10)	526-2080		2	
750-1008		1	Nut, Hex (M10)				
309-0578		1	Switch, Pressure				
193-0415		1	Sender, Low Coolant				
309-0576		1	Thermostat				

* - These Parts Duplicated Here for Handy Reference. Also Found on Appropriate Pages Throughout This Book.
 ° - Parts Included in Control Panel Assy.

Labels

REF NO.	PART NO.	QTY USED	PART DESCRIPTION	REF NO.	PART NO.	QTY USED	PART DESCRIPTION
98-5948		1	Decal, Front Panel – Basic Remote Control	98-6862		1	Label, Control Top Spec A–B
98-5945		1	Decal, Rear Panel – Basic Remote Control	98-7567		1	Begin Spec C
98-5947		1	Decal, Front Panel – Deluxe Remote Control	98-5161		1	Label, Coolant (Housed Sets)
98-5944		1	Decal, Rear Panel – Deluxe Remote Control	98-5347		1	Label, Danger (Voltage)
98-5803		1	Decal, Front Panel – Remote Gauge Control	98-2235		1	Label, Ground
98-5761		1	Decal, Rear Panel – Remote Gauge Control	98-6997		1	Label, Lifting Eye (Housed Sets)
98-6861		1	Label, Control Back Spec A–B	98-6996		1	Label, No Step Unhoused Sets
98-7566		1	Label, Control Front Spec A–B	98-6996		2	Housed Sets
98-6860		1	With Gauges	98-1714		1	Label, Onan (Housed Sets)
98-6925		1	Without Gauges	98-6388-01		1	Label, Phone Info
98-7564		1	Begin Spec C	98-6953		1	Label, Reconnection Chart
98-7565		1	With Gauges	98-6757		1	Label, Voltage Regulator
		1	Without Gauges	98-5667		1	Label, Warning (Coolant) (Housed Sets)
				98-5755		1	Label, Warning (Backfeed)
				98-6995		5	Label, Warning (Housed Sets)
				98-6074-02		1	Label, Warning (Operation)
				98-4798-01		1	Label, Warning (Rotating Parts) (Unhoused Sets)
				98-7541		1	Label, Zinc Anode



Numerical Index

<u>Part No.</u>	<u>Page</u>	<u>Part No.</u>	<u>Page</u>	<u>Part No.</u>	<u>Page</u>	<u>Part No.</u>	<u>Page</u>
098-1714, 89		104-1830, 12		132-0348, 44		154-2887, 53	
098-2235, 89		104-1929, 12		132-0349, 44		154-2891, 54 , 55	
098-4798-01, 89		110-3584, 23		132-0350, 44		154-2915, 53	
098-5161, 89		115-0025, 33		132-0356, 41 , 43		154-2963-02, 55	
098-5347, 89		120-1319, 35		132-0385, 44		154-3006, 54	
098-5667, 89		122-0810, 27		132-0386, 44		155-1002, 57	
098-5755, 89		122-0813, 35		132-0387, 44		155-2029, 57	
098-5761, 89		130-2248, 46		132-0388, 44		155-2030, 57	
098-5803, 89		130-3570, 47		132-0389, 44		155-2033, 54	
098-5944, 89		130-3571, 47		132-0390, 44		155-2063-09, 56	
098-5945, 89		130-3572, 47		132-0391, 44		155-2064-09, 56	
098-5947, 89		130-3573, 47		132-0392, 44		155-2355-04, 56	
098-5948, 89		130-3574, 47		132-0393, 44		155-2950, 38	
098-6074-02, 89		130-3721, 46		132-0394, 44		155-2975, 53	
098-6388-01, 89		130-4234-03, 41		132-0414, 44		155-2980, 55	
098-6757, 89		130-4331-03, 60		140-2859, 52		155-2981, 55	
098-6860, 89		130-4714-03, 60		140-3048, 52		155-3061, 54 , 55	
098-6861, 89		130-4381-03, 60		149-1908-05, 36 , 37		155-3068-02, 55	
098-6862, 89		130-4382-03, 60		149-1914-05, 37		155-3069-02, 55	
098-6925, 89		130-4411-03, 60 , 88		149-1949, 37		155-3087, 45	
098-6953, 89		130-4414-03, 60 , 88		149-1952, 37		155-3094, 55	
098-6995, 89		130-4433-02, 41		149-1953, 37		155-3148-01, 43	
098-6996, 89		130-4434, 41		149-2045, 37		155-3216, 57	
098-6997, 89		130-4491-03, 60		149-2046, 37		155-3217, 57	
098-7541, 89		130-4492-03, 60		149-2047, 37		155-3218, 57	
098-7564, 89		130-4633-04, 60		149-2100, 34		168-0221-01, 8	
098-7565, 89		130-4652-03, 60		149-2106, 34		168-0221-02, 8	
098-7566, 89		130-4718, 46		149-2312, 36		185-2094, 8	
098-7567, 89		130-4881-01, 46		149-2313, 36		185-2095, 8 , 22	
100-3577-01, 8		130-4960, 41		149-2331-01, 34		185-2096, 50	
100-3577-02, 8		130-4961, 41		149-2436, 34		185-2105, 17	
100-3578-01, 8		130-4962-01, 41		149-2437, 34		185-2106, 20 , 22	
100-3578-02, 8		130-4979, 41		149-2488, 35		185-2125, 8	
101-0810, 12		130-5006-02, 41		149-2489-03, 35		185-2188, 22	
101-0811, 12		130-5008, 41		149-2531-04, 34		185-2233, 8	
101-0821, 12		130-5012, 41		150-2567-03, 33		185-2234, 8	
102-1449-01, 50		132-0293, 44		150-2579, 33		185-2283, 17	
104-1666, 12		132-0346, 41 , 43		154-2768, 54		185-2284, 17	

Numerical Index

<u>Part No.</u>	<u>Page</u>	<u>Part No.</u>	<u>Page</u>	<u>Part No.</u>	<u>Page</u>	<u>Part No.</u>	<u>Page</u>
185-2338	8 , 19 , 26	185-5529	17	185-5846	8	185-5898	15
185-2343	50	185-5558	10	185-5847	8	185-5899	15
185-2345	24	185-5612	24	185-5848	8	185-5900	10
185-2347	18	185-5615	24	185-5849	8	185-5901	10
185-2349	27	185-5676	8	185-5850	8	185-5902	10
185-2350	8	185-5691	17	185-5851	8	185-5903	10
185-2351	19	185-5693	17	185-5852	8	185-5904	10
185-2352	8	185-5696	17	185-5854	50	185-5905	9 , 10 , 29
185-2362	25	185-5768	30 , 31	185-5855	50	185-5906	10
185-2365	25	185-5769	30 , 31	185-5860	22	185-5907	10
185-2367	20 , 23 , 25 , 28	185-5770	30	185-5861	22	185-5908	10
185-2376	18	185-5771	30 , 31	185-5862	22	185-5909	10
185-2379	18	185-5772	30	185-5863	22	185-5910	10
185-2380	29	185-5773	30	185-5865	22	185-5911	10
185-2381	23 , 28	185-5774	30 , 31	185-5866	22	185-5912	10
185-2385	24	185-5775	30 , 31	185-5867	22	185-5913	11
185-2389	19 , 28	185-5776	30 , 31	185-5868	22	185-5914	11
185-2390	17 , 27	185-5777	30	185-5869	27	185-5915	11
185-2392	18	185-5781	31	185-5870	27	185-5916	11
185-2400	10	185-5782	30	185-5871	27	185-5917	11
185-2402	20 , 25 , 52	185-5783	30 , 31	185-5872	27	185-5921	11
185-2403	15	185-5784	30 , 31	185-5873	27	185-5922	11
185-2404	15 , 28	185-5785	30 , 31	185-5874	27	185-5924	9
185-2405	27	185-5786	30 , 31	185-5875	27	185-5925	9
185-2412	22	185-5787	30 , 31	185-5876	27	185-5926	9
185-2564	29	185-5788	30 , 31	185-5877	27	185-5927	9
185-2566	26	185-5789	30 , 31	185-5878	27	185-5928	9
185-2578	20	185-5790	30 , 31	185-5879	27	185-5929	9
185-2777	18	185-5791	30	185-5880	27	185-5930	9
185-2961	30 , 31	185-5826	25	185-5887	26	185-5931	9
185-3078	50	185-5837	8	185-5888	26	185-5933	9
185-3397	17	185-5839	8	185-5889	15	185-5934	9
185-4255	17 , 27 , 29	185-5840	8	185-5890	15	185-5936	9
185-5140	17	185-5841	8	185-5892	15	185-5937	9
185-5337	24	185-5842	8	185-5893	15	185-5938	9
185-5407	27	185-5843	8 , 27	185-5895	15	185-5939	9
185-5443	25 , 27	185-5844	8	185-5896	15	185-5940	9
185-5505	27	185-5845	8	185-5897	15	185-5941	9

Numerical Index

<u>Part No.</u>	<u>Page</u>	<u>Part No.</u>	<u>Page</u>	<u>Part No.</u>	<u>Page</u>	<u>Part No.</u>	<u>Page</u>
185-5942,	9	185-6001,	25	185-6108,	23	185-6174,	17
185-5943,	9	185-6003,	25	185-6121,	8	185-6175,	17
185-5945,	16	185-6004,	25	185-6124,	27	185-6177,	17
185-5946,	16	185-6005,	25	185-6125,	27	185-6178,	17
185-5947,	16	185-6006,	28	185-6126,	27	185-6179,	17
185-5948,	16	185-6007,	28	185-6127,	27	185-6180,	17
185-5949,	16	185-6008,	28	185-6129,	9	185-6182,	29
185-5950,	16	185-6009,	28	185-6134,	19	185-6183,	29
185-5951,	16	185-6010,	28	185-6135,	19	185-6184,	29
185-5952,	16	185-6011,	28	185-6138,	21	185-6185,	29
185-5953,	16	185-6012,	28	185-6139,	21	185-6186,	30
185-5954,	16	185-6013,	28	185-6140,	21	185-6187,	30
185-5955,	16	185-6016,	23	185-6141,	21	185-6188,	30
185-5956,	16	185-6017,	23	185-6142,	21	185-6189,	30
185-5957,	16 , 18	185-6018,	23	185-6143,	21	185-6190,	30
185-5958,	16	185-6019,	23	185-6144,	21	185-6191,	30
185-5959,	16 , 18	185-6020,	23	185-6145,	21	185-6197,	27
185-5960,	16 , 18	185-6021,	23	185-6146,	21	185-6209,	11
185-5961,	16	185-6022,	23	185-6147,	21	185-6418,	20
185-5962,	16	185-6023,	23	185-6148,	21	185-6502,	26
185-5963,	16	185-6025,	23	185-6150,	21	185-6711,	27
185-5966,	16	185-6026,	23	185-6151,	21	185-6715,	52
185-5969,	19	185-6027,	23	185-6152,	21	185-6716,	26
185-5970,	19	185-6028,	23	185-6153,	21	185-6717,	26
185-5971,	19	185-6029,	23	185-6154,	21	185-6718,	26
185-5974,	19	185-6030,	23	185-6155,	21	185-6719,	26
185-5976,	20	185-6035,	52	185-6158,	18	185-6720,	26
185-5977,	20	185-6048,	22	185-6160,	18	185-6722,	26
185-5985,	24	185-6074,	11	185-6161,	18	185-6723,	52
185-5986,	24	185-6075,	11	185-6163,	18	185-6724,	29 , 31
185-5987,	24	185-6076,	11	185-6164,	18	185-6725,	24
185-5988,	24	185-6078,	27	185-6165,	18	185-6726,	19
185-5989,	24	185-6085,	9	185-6167,	18	185-6727,	50
185-5990,	24	185-6086,	9	185-6168,	17	185-6728,	50
185-5991,	24	185-6094,	24	185-6169,	17	185-6729,	50
185-5994,	29 , 30	185-6095,	24	185-6171,	17	185-6730,	29
185-5999,	25	185-6103,	25	185-6172,	18	185-6731,	24
185-6000,	25	185-6107,	23	185-6173,	18	185-6733,	29

Numerical Index

<u>Part No.</u>	<u>Page</u>	<u>Part No.</u>	<u>Page</u>	<u>Part No.</u>	<u>Page</u>	<u>Part No.</u>	<u>Page</u>
185-6734,	29	185-6813,	31	191-1441,	13 , 14	205-0229-02,	68
185-6752,	24	185-6814,	31	191-1442,	13 , 14	211-0435-01,	68
185-6753,	18	185-6815,	31	191-1444,	13 , 14	220-4413-02,	68
185-6756,	20	185-6816,	31	191-1445,	13 , 14	220-4417-02,	68
185-6757,	20	185-6819,	31	191-1446,	13 , 14	220-4417-04,	68
185-6758,	20	185-6820,	31	191-1447,	13 , 14	220-4451-02,	68
185-6759,	8 , 17 , 27	185-6956,	16	191-1448,	13 , 14	220-4451-04,	68
185-6760,	50	185-6957,	20 , 25 , 27	191-1449,	13 , 14	220-4569-02,	68
185-6761,	50	185-6982,	8	191-1450,	13 , 14	220-4569-04,	68
185-6762,	50	185-7004,	24	191-1550,	12 , 14	220-4570-02,	68
185-6763,	22	185-7039,	16	191-1606,	14	220-4570-04,	68
185-6764,	22	185-7043,	19	191-1607,	14	232-3672-03,	68
185-6765,	27	185-7111,	20 , 21	191-1608,	14	232-3705-01,	68
185-6766,	15	185-7112,	18	191-1609,	14	232-3706-02,	68
185-6767,	11	190-0729-01,	51	191-1959,	12 , 13	232-3826-02,	68
185-6768,	11	190-0729-02,	51	191-1960,	14	234-0876-01,	68
185-6769,	11	190-0730-02,	51	191-1991,	13	234-0935-02,	68
185-6770,	11	190-0731,	51	191-1992,	13	300-4547,	81
185-6771,	11	190-0732-02,	51	191-1993,	13	300-4658,	70 , 72
185-6772,	8	190-0734-03,	51	191-1994,	13	300-4659,	70 , 72
185-6774,	19	190-0736-03,	51	191-2166-03,	52 , 88	300-4662,	70 , 72
185-6775,	19	190-0738,	51	191-2167-03,	32	300-4663,	70 , 72
185-6777,	20	190-0739,	51	191-2168-03,	32 , 88	300-4679,	79
185-6778,	21	190-0740,	51	191-2169-01,	32 , 88	300-4680,	79
185-6779,	18	190-0742,	62	191-2169-02,	32 , 88	300-4681,	80
185-6780,	18	190-0744,	60	191-2170,	32 , 88	300-4684,	81
185-6781,	18	190-0745-04,	51	193-0244,	35	300-4686,	46
185-6784,	8	190-0756-01,	51	193-0250,	72 , 81 , 85	300-4835,	87
185-6785,	29	190-0756-02,	51	193-0318,	25	300-4872,	70 , 72 , 88
185-6786,	29	190-0756-03,	51	193-0351,	72 , 81 , 85	300-4873,	70 , 72 , 88
185-6787,	29	191-1431,	13 , 14	193-0352,	72 , 81 , 85	300-4874,	70 , 72 , 88
185-6788,	25	191-1432,	13 , 14	193-0415,	88	300-4875,	70 , 72 , 88
185-6789,	23	191-1433,	13 , 14	193-0430-01,	35	300-4989-01,	84
185-6801,	18	191-1436,	13 , 14	193-0457-01,	25	300-4989-02,	84
185-6809,	31	191-1437,	13 , 14	193-0481,	46	300-4990-01,	82
185-6810,	31	191-1438,	13	201-3515-02,	68	300-4990-02,	82
185-6811,	31	191-1439,	13 , 14	201-3517-02,	68	300-4991-01,	83
185-6812,	31	191-1440,	14	201-3517-04,	68	300-4991-02,	83

Numerical Index

<u>Part No.</u>	<u>Page</u>	<u>Part No.</u>	<u>Page</u>	<u>Part No.</u>	<u>Page</u>	<u>Part No.</u>	<u>Page</u>
300-5018-01,	85	308-1062,	82 , 83 , 84 ,	320-1690-12,	70	323-1708,	46
300-5018-02,	85		85	320-1690-13,	70	323-1765,	46
300-5040,	25	308-1062-01,	82 , 83 , 84	320-1710,	72	332-1445,	79 , 80
300-5041,	25		, 85	320-1769-01,	72	332-2370,	70 , 74 , 88
300-5243,	72	308-1072,	87	320-1813-02,	70	332-2634,	41 , 43
300-5244,	72	309-0576,	25 , 88	320-1836-06,	70	332-2683,	77
300-5245,	72	309-0578,	88	320-1836-07,	70	332-3296,	74 , 88
300-5246,	72	309-0597,	54	320-1836-08,	70	332-3297,	74
300-5247,	72	309-0601,	25	320-1836-09,	70	332-3298,	74 , 88
300-5248,	72	309-0641-03,	35	320-1836-10,	70	332-3385,	74
300-5249,	72	309-0641-05,	35	320-1836-11,	70	337-2784-02,	48
300-5250,	72	312-2340-04,	83	320-1836-12,	70	337-2785,	48 , 49
302-0885,	72 , 80 , 81	319-0141,	81	320-1836-13,	70	337-2795,	70
302-0888,	80	319-0491,	79	320-1862-01,	72	337-2832,	48 , 88
302-1641,	72 , 81 , 84 ,	319-0492,	80	320-1863,	72	337-2833-02,	48 , 88
	85	319-2106-04,	70	320-1891-01,	70	337-2969,	49
302-1642,	72 , 81 , 84 ,	319-2107-03,	70	320-1891-02,	70	337-2970,	49
	85	319-2108-03,	70	320-1891-03,	70	338-2930,	70
302-2002,	83 , 85	319-2113-03,	70	320-1891-04,	70	338-3093,	77
304-0796,	34	319-2114-03,	70	320-1928-01,	70	338-3098,	78
304-0828-02,	34	319-2339-02,	82	323-1200,	86	338-3167,	78
305-0548,	74	319-2493-03,	75	323-1325,	86	338-3168,	78
305-0896,	70	319-2494-03,	75	323-1491,	77 , 78 , 81 ,	338-3169-00,	78
307-1617,	52 , 88	319-2954-04,	75		86	338-3169-01,	78
307-1886,	74	319-3132-01,	84	323-1492,	74 , 78 , 82 ,	338-3169-02,	78
307-2643,	74	319-3254-02,	85		83 , 84 , 85 , 86	338-3169-03,	78
307-2656,	52 , 88	320-1140,	72	323-1541,	70 , 78 , 79 ,	338-3170,	79 , 80
307-2808-02,	33	320-1658,	70		80 , 81 , 82 , 83 , 84 ,	338-3171,	81
307-2817-01,	74			323-1542,	77 , 78 , 86	338-3246,	74
307-2817-02,	74	320-1689-08,	70	323-1543,	70 , 78 , 79 ,	338-3247,	74
307-2820,	33	320-1689-09,	70		80 , 81 , 82 , 83 , 84 ,	338-3248,	74
307-2820-01,	33	320-1689-10,	70		85 , 86	338-3249,	74
307-2828-01,	74	320-1689-11,	70	323-1544,	77 , 78 , 86	338-3383-01,	74
307-2828-02,	74	320-1689-12,	70	323-1546,	74	338-3383-02,	74
308-0269,	87	320-1689-13,	70	323-1547,	86	338-3383-03,	74
308-0270,	87	320-1689-15,	70	323-1548,	74	338-3383-04,	74
308-0827,	79 , 80 , 81	320-1689-17,	70	323-1549,	86	338-3387,	70
308-0975,	79 , 81	320-1690-03,	70	323-1591,	70 , 78 , 79 ,	338-3594,	46
308-1027,	72	320-1690-10,	70		80 , 81 , 82 , 83 , 84 ,		
		320-1690-11,	70		85		

Numerical Index

<u>Part No.</u>	<u>Page</u>	<u>Part No.</u>	<u>Page</u>	<u>Part No.</u>	<u>Page</u>	<u>Part No.</u>	<u>Page</u>
338-3597, 84		405-5036-01, 62 , 66		502-0053, 35		503-1898, 46	
338-3598, 82		405-5036-02, 66		502-0054, 36		503-1899, 46	
338-3599, 83		405-5036-S2, 62		502-0090, 38		503-1939, 52	
338-3625, 85		405-5037, 62		502-0099, 34		503-1963-04, 54	
338-3695, 86		405-5038, 62		502-0153, 36 , 37 , 46		503-1963-05, 54	
338-3696, 86		405-5043-01, 62		502-0175, 34		503-1977, 41	
338-3697, 86		405-5045-01, 62		502-0263, 50		503-1978, 41	
350-1238, 34		405-5045-02, 62		502-0270, 38		503-2023, 43 , 45	
352-0194, 74		405-5114, 66		502-0942, 38		503-2025-01, 43 , 45	
352-0195, 74		405-5252, 62		502-1123, 50		503-2025-02, 43	
352-0196, 74		405-5253, 62		502-1244, 35		503-2106, 41	
352-0197, 74		405-6340, 62		502-1245, 35		503-2122, 41 , 43	
352-0198, 74		405-6341-01, 62		502-1295-01, 43		503-2309, 39	
353-0053, 74		405-6551, 64		502-1295-02, 43		503-2352, 39	
357-0030, 74		405-6552-03, 64		502-1295-03, 43		503-2394, 39	
358-0069, 68		405-6553-02, 64		502-1297, 43		504-0062, 38	
358-0070, 68		405-6554, 64		502-1309, 35		504-0223, 39	
359-0034, 80		405-6577, 64		502-1425-02, 39		505-0003, 43 , 45	
402-0681, 62 , 75		405-6725-03, 64		502-1450, 39		505-0041, 43 , 45	
403-3573, 58		405-6738-03, 64		502-1463, 39		505-0110, 25	
403-3737-02, 58		405-6739, 64		503-0501, 41		505-0304, 43 , 45	
403-3916-02, 8		405-6740, 64		503-0977, 38 , 39 , 41 , 43		505-0339-02, 55	
403-3955, 58		405-6742, 64		503-1134, 41		505-0446-01, 43 , 45	
403-4059-03, 58		405-6743, 64		503-1135, 41		505-1509, 43 , 45	
405-1872, 62 , 63 , 64 , 66		405-6744, 64		503-1137, 41 , 43 , 45		508-0021, 63 , 64	
405-3111, 62		405-6745, 64		503-1138, 41 , 43 , 45 , 46 , 52 , 62		508-0063, 70	
405-4528, 62		405-6746, 64		503-1139, 57		508-0115, 62 , 63 , 64 , 66	
405-5010-02, 63 , 64		406-0528-01, 62		503-1142, 57		508-0117, 62 , 63 , 64 , 66	
405-5013, 62		416-1021-03, 70		503-1143, 41 , 52		508-0179, 70	
405-5015-01, 62		501-0578, 36		503-1163, 41		508-0210, 62 , 63 , 64 , 66	
405-5015-02, 62		501-0624, 50		503-1168, 43		508-0330, 62	
405-5018, 62		502-0002, 34		503-1194, 41		508-1011, 62 , 63 , 64 , 66	
405-5023-02, 62		502-0003, 35		503-1320, 54		508-1073, 68	
405-5026, 63		502-0005, 35		503-1353, 54		508-1095, 62 , 63 , 64 , 66	
405-5026-02, 62		502-0020-01, 35		503-1562-02, 41		508-1102, 38 , 39	
405-5034-01, 62 , 66		502-0028, 34 , 35		503-1692, 47			
405-5034-02, 66		502-0041, 34		503-1896, 41			
405-5034-S2, 62							

Numerical Index

<u>Part No.</u>	<u>Page</u>	<u>Part No.</u>	<u>Page</u>	<u>Part No.</u>	<u>Page</u>	<u>Part No.</u>	<u>Page</u>
508-1163,	64	718-1036,	8 , 49 , 70	800-2115,	48 , 88	821-6003-01,	58
509-0094,	68	718-1047,	60	800-2118,	58	821-6003-02,	75
510-0112,	68	718-1048,	88	800-3005,	12 , 34	822-2160-37,	68
511-0186,	32 , 88	740-1004,	54 , 55	800-3018,	52 , 88	850-0025,	54
518-0656,	33	740-1006,	23 , 27	800-3029,	35	850-0030,	72 , 84 , 85
520-1005,	49	750-1004,	17	800-3030,	41	850-0038,	87
520-1006,	49	750-1006,	53	800-3031,	49 , 58	850-0045,	32 , 88
520-2218-01,	53	750-1008,	88	800-3032,	12 , 34 , 51	850-0060,	32 , 88
526-0003,	62 , 63 , 64 , 66	775-0061,	12	800-3033,	8 , 48 , 51	850-0114-06,	68
526-0008,	68	800-0027,	32	801-1050,	51	850-0165,	41
526-0016,	49	800-0028,	88	802-0038,	48 , 88	850-2006,	8 , 33 , 34 , 60
526-0022,	62	800-0051,	68	802-0057,	48 , 88		
526-0026,	51	800-0054,	51	802-2068,	54 , 55	850-2008,	34 , 36 , 55
526-0029,	12	800-0090,	51	808-0023,	85	850-2010,	32 , 52 , 88
526-0045,	32 , 49 , 88	800-0091,	51	808-0045,	62	853-0008,	85
526-0049,	72 , 84 , 85	800-0104,	32 , 88	810-0155,	70 , 74	853-0013,	68
526-0052,	48 , 70 , 74 , 88	800-0310-02,	68	810-0156,	49	853-0040-04,	68
526-0172,	58	800-0310-27,	68	812-0059,	72	853-0040-05,	68
526-0174,	68	800-0310-36,	68	812-0079,	74	854-0014,	70
526-0219,	32 , 88	800-0310-64,	68	813-0102,	74	856-0003,	34
526-0399-11,	68	800-0317,	41	813-0112,	34	856-0006,	48 , 49 , 70 , 74 , 88
526-0399-42,	68	800-0540,	62	815-0181,	68	856-0008,	48 , 49 , 70 , 88
526-0399-44,	51 , 68	800-2029,	33 , 51 , 52 , 60 , 64 , 88	815-0385,	72 , 80 , 81	856-0012,	36
526-0399-64,	8 , 12 , 34 , 35 , 49 , 51 , 58	800-2031,	34	815-0498,	62 , 75	856-0013,	48 , 49
526-0409,	72 , 84 , 85	800-2034,	8 , 33	815-0539,	74	856-1008,	48
526-0413,	50	800-2036,	17	815-0550-01,	70	860-0008,	54
526-2080,	51 , 52 , 64 , 88	800-2038,	17	815-0765,	62	860-0008,	54
526-2081,	33	800-2052,	62	815-0807,	62	860-2008,	34 , 49
526-2100,	8 , 36 , 41 , 43 , 46 , 49 , 53 , 54 , 55	800-2054,	46	815-0904,	34	860-2009,	32
526-2101,	51	800-2057,	34 , 41 , 43	815-0905-05,	70	860-2010,	58
526-2106,	34	800-2058,	55	815-0910,	82 , 83 , 84	862-0001,	48 , 88
526-2120,	32 , 34 , 41	800-2059,	36 , 54 , 55	815-0935,	68	862-0013,	49
526-2133,	88	800-2060,	51	818-0150,	62 , 63 , 64 , 66	862-0015,	48 , 88
526-2140,	48	800-2067,	54 , 55	818-0194,	62	862-0016,	32 , 88
541-0863-01,	39	800-2071,	32	818-0239-03,	62	870-0110,	63 , 64 , 66
		800-2087,	36	821-0004,	74	870-0131,	70
		800-2100,	32 , 88	821-0008,	70 , 74 , 88	870-0131-01,	68
		800-2113,	12	821-0010,	74 , 88	870-0183,	72 , 80 , 81

Numerical Index

<u>Part No.</u>	<u>Page</u>	<u>Part No.</u>	<u>Page</u>	<u>Part No.</u>	<u>Page</u>	<u>Part No.</u>	<u>Page</u>
870-0257,	62 , 75						
870-0398,	70						
870-0400,	62						
870-0413,	62						
870-0427,	62						
870-2054,	33						
871-0010,	72 , 84 , 85						
871-0015,	49						
871-0016,	48 , 70 , 74						
871-0025,	49						
895-0308,	68						



Cummins **Onan**

Cummins Power Generation

1400 73rd Ave. NE
Minneapolis, MN 55432 USA

Phone 1 763 574 5000

Toll-free 1 800 888 6626

Fax 1 763 574 5298

Email www.cumminsonan.com/contact

www.cumminsonan.com

Cummins®, Onan®, the "C" logo, and "Performance you rely on." are trademarks of Cummins Inc.

©2011 Cummins Power Generation, Inc. All rights reserved.

