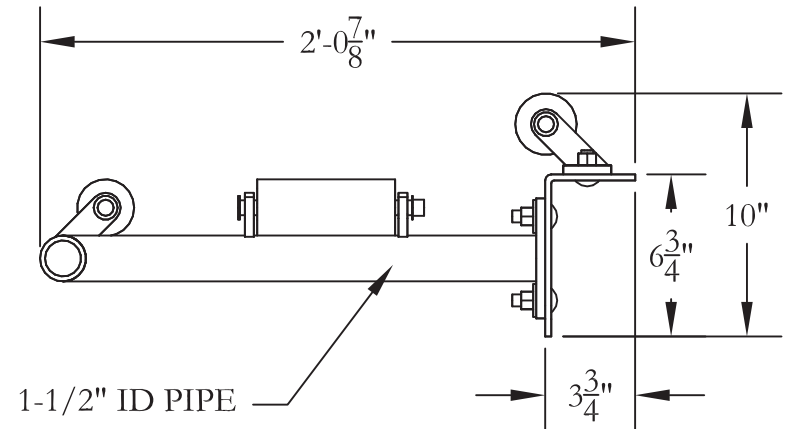
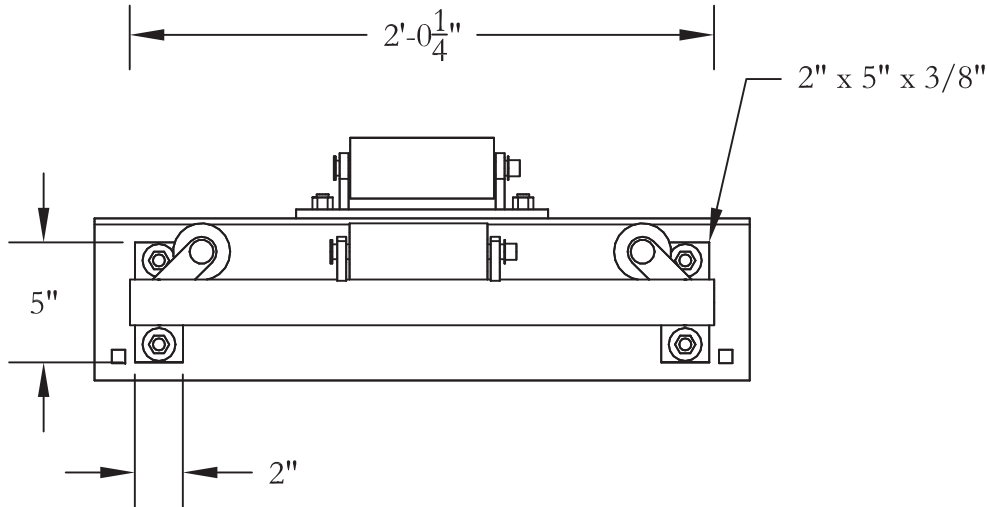
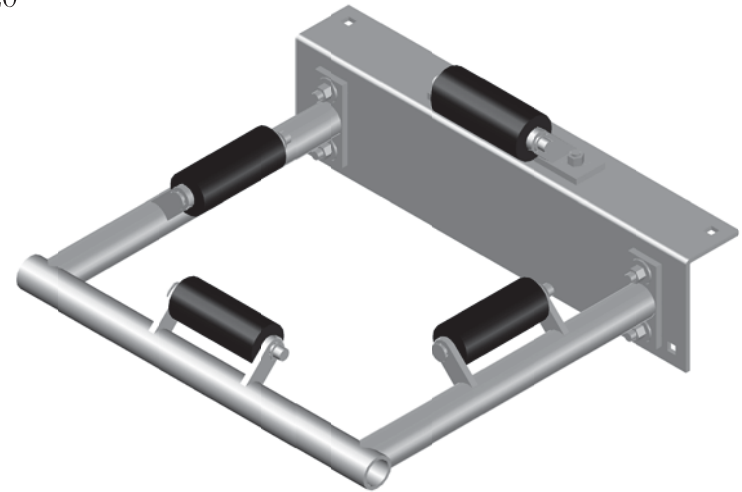


RECOMMENDED USAGE NOT TO EXCEED
 SQUARE OR ROUND PILING LARGER THAN 14"



VISIT US ON THE WEB AT WWW.MERCOMARINE.COM

ALL DRAWINGS AND DETAILS ARE PROPERTY OF MERCO MARINE DO NOT COPY

MERCO MARINE
 60 MERCO ROAD
 WELLSBURG, WV 26070
 PHONE: (800)396-3726
 FAX: (304)737-3008



TITLE:	HP-16EX 16" SQUARE	SCALE:	1-1/2" = 1'-0"
DATE:	6/8/2009 1:14 PM	DRAWN BY:	DAN OTTO
		APRVD BY:	J. MERIWETHER