

Collection of Datasheets

Direct Current Compressors
R134a • 12-24V • 10-45V (Solar)
R600a • 10-45V (Solar)

Contents	General	Page 2	
	Electric circuit	3	
	Wiring diagram	3	
	Voltage range	3	
	Cable dimensions	3	
	Thermostat connection	4	
	Compressor speed	4	
	Fan connection	4	
	Troubleshooting	4	
	LED connection	4	
	Protection systems	5	
	BD35F	Technical data	6
		Performance data	7
	BD35F (inch)	Technical data (inch connectors)	8
		Performance data (inch connectors)	9
	BD50F	Technical data	10
		Performance data	11
	BD50F (inch)	Technical data (with inch connectors)	12
		Performance data (with inch connectors)	13
	BD80F	Technical data	14
		Performance data	15
	BD35F (solar)	Technical data (for solar applications)	16
		Performance data (for solar applications)	17
	BD35K (solar)	Technical data (for solar applications)	18
		Performance data (for solar applications)	19
	Data stamping	20	
	Mounting the electronic unit	21	
	Connectors	22	
	Mounting accessories	23	
	Filter drier selection	24	
	Sectional view	25	

General

Danfoss variable speed refrigeration compressors type BD35F, BD50F and BD80F are designed for connection to 12V and 24V DC power supply and for refrigerant R134a (CF₃-CH₂F).

The compressors are intended especially for use in mobile applications, e.g. cooling boxes, boats, caravans, trucks, vans, buses, etc. Due to their low energy consumption and the option for a wide supply voltage range, the compressors are also very suitable for stationary applications powered by photovoltaic solar panels.

The compressors can be used in refrigerators and freezers designed for capillary tube and TEV as the throttling device.

The BD35K is especially designed for refrigeration systems using isobutane, refrigerant R600a (C₄H₁₀). R600a is classified as a flammable refrigerant of class A3 according to ANSI/ASHRAE 34. Accordingly, special safety regulations must be complied with. For domestic appliances a special Test Schedule has been integrated in the European Standard EN 60335-2-24 and IEC 60335-2-24. For commercial refrigerators IEC 60335-2-89 will include flammable refrigerants.

The BD35K must only and exclusively be used in appliances certified for R600a according to these or later regulations. This means that the compressors must not be used in appliances which are not originally designed and certified for R600a.

This compressor was designed for stationary use only.

The BD compressor concept includes an electronic unit which features overload protection and battery protection. The electronic unit has internal voltage recording and calibration to the applied voltage. The electronic unit may also be powered directly from certain types of electronic power supply units and thus no battery is required.

In addition to being especially quiet in operation, the compressors have a high COP value. They will operate under continual heeling of 30° such as occurs on boats.

The BD compressors must be mounted in a dry and clean place. The compressors will withstand storage temperatures down to -35°C.

Condensing temperatures:

Max. 60°C at stable conditions and max. 70°C at peak load.

Ambient temperatures: Min. -10°C, max. 55°C

Electric circuit

The BD compressors are fitted with a brushless direct current motor which is electronically commutated by an electronic unit.

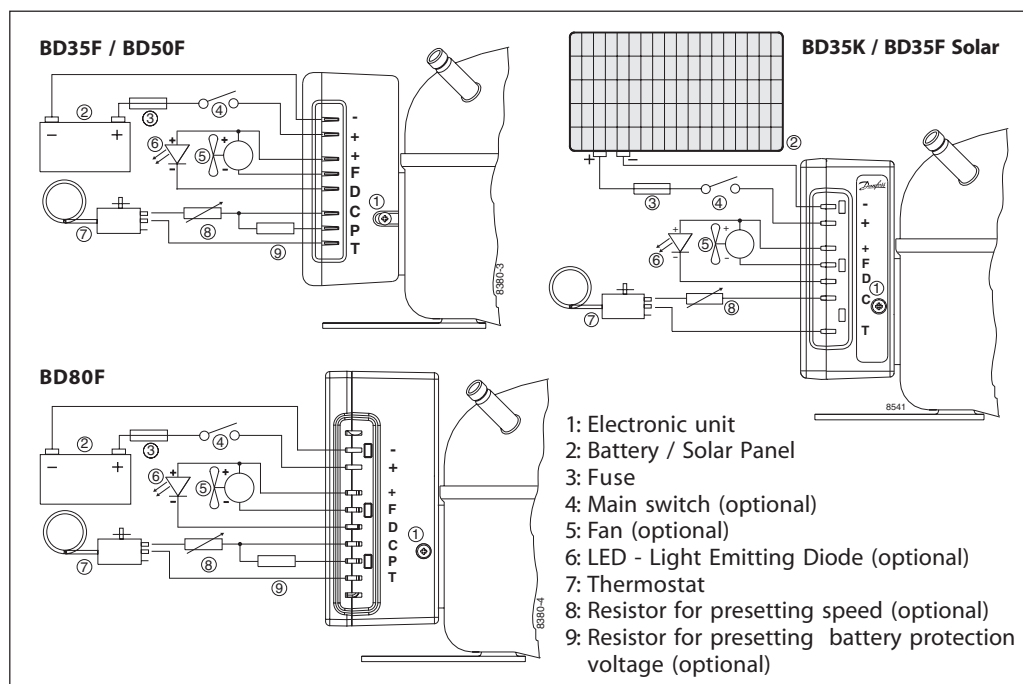
The electronic unit is delivered separately and must be mounted on the compressor, please see instructions page 20. The electronic unit must always be connected directly to the battery poles or power supply unit terminals. For the protection of the installation an external fuse must be installed in the power supply cable close to the battery or power supply unit. Establish a special wiring for the BD power supply using direct one-piece cables and avoid to use the existing wiring.

If the chassis is used as a conductor, a proper connection between cable and chassis must be established.

Wrong polarity applied to the electronic unit does not destroy the unit, however, the compressor does not work.

If the compressor is planned to be stopped for a longer period, a main switch can be installed. The switch must have a contact system rated min. 20A, otherwise the voltage drop over the contacts will cause the battery protection to cut off the compressor earlier than intended.

Wiring diagram



Voltage range

BD35/50/80F: 12V systems: From 10.4V (9.6V) to 17V; 24V systems: From 22.8V (21.3V) to 31.5V.

BD35F/BD35K: Solar systems: 10V - 45V

The low voltage limits stated in brackets () can be established if a connection is made between the terminals C and P, please see also the passage **Optional battery protection settings** page 5.

The electronic unit will calibrate to the applied voltage. This means that if the battery voltage is less than 17V, the electronic unit assumes that it is working in a 12V system. If the voltage is higher than 17V, the electronic unit assumes that it is working in a 24V system. Consequently, the compressor does not run at power supply voltages between about 17V and the desired battery protection cut-out voltage for 24V systems.

A continuous voltage range from 9.6V to 31.5V can be established if a 220kΩ resistor (wiring diagram item 9) is connected between the terminals C and P. This wide voltage range makes the BD compressors very suitable for photovoltaic powering.

Cable dimensions

To ensure correct start and operating conditions, the following cable dimensions must be observed:

BD35F / BD50F / BD35K Solar / BD35F Solar

Cross section mm ²	Max length*	Max length*
	m 12V operation	m 24V operation
2.5	2.5	5
4	4	8
6	6	12
10	10	20

BD80F

Cross section mm ²	Max length*	Max length*
	m 12V operation	m 24V operation
6	2.5	5

*Length between battery and electronic unit

Thermostat connection

BD compressors can operate with normal mechanical type thermostats as used in refrigeration appliances, or with electronic thermostats. Always use new thermostats. The thermostat is connected between the terminals C and T of the electronic unit. The compressor current does not flow through the thermostat contacts. When the thermostat is cut out there will still be power on to the electronic unit. A system with no stand-by power consumption can be established if the thermostat (7) is replaced by a jumper between the terminals C and T, and the main switch (4) is replaced by a thermostat. In this case the full current to the compressor flows through the thermostat, which must be rated accordingly.

Compressor speed

Without any resistor in the control circuit, the compressor will run with a fixed speed of **2,000 rpm** when the thermostat is switched on, depending on the electronic unit version (see tables below). Other fixed speeds in the range between **2,000** and **3,500/4,400rpm** can be obtained when a resistor (8) is installed to adjust the current (mA) of the control circuit, please see wiring diagrams page 3.

In AEO (Adaptive Energy Optimizing) speed mode the BD compressor will always adapt its speed to the actual cooling demand.

BD35F / BD50F

Electronic unit	Resistor R1 (8) Ω	Motor speed rpm	Contr.circ. current mA
101N0210 101N0220	0	2,000	5
	277	2,500	4
	692	3,000	3
	1523	3,500	2
101N0300 with AEO	0	AEO	6
	173	2,000	5
	450	2,500	4
	865	3,000	3
	1696	3,500	2

BD80F

Electronic unit	Resistor R1 (8) Ω	Motor speed rpm	Contr.circ. current mA
101N0280 with AEO	0	AEO	6
	203	2,500	5
	451	3,100	4
	867	3,800	3
	1700	4,400	2

BD35F Solar / BD35K Solar

Electronic unit	Resistor R1 (8) Ω	Motor speed rpm	Contr.circ. current mA
101N0400 with AEO	0	AEO	6
	173	2,000	5
	450	2,500	4
	865	3,000	3
	1696	3,500	2

LED connection

A 10mA Light Emitting Diode (LED) for compressor operation monitoring can be connected between the terminals + and D.

Operational errors will cause the LED to flash a number of times. The number of flashes depends on what kind of operational error was recorded.

Each flash will last ¼ second. After the actual number of flashes there will be a delay with no flashes, so that the sequence for each error recording is repeated every 4 seconds.

Operational errors shown by LED (optional):

BD35F / BD50F / BD35K Solar / BD35F Solar

Number of flashes	Error type
5	Thermal cut-out of electronic unit (If the refrigeration system has been too heavily loaded, or if the ambient temperature is high, the electronic unit will run too hot).
4	Minimum motor speed error (If the refrigeration system is too heavily loaded, the motor cannot maintain minimum speed at approximately 1,850 rpm).
3	Motor start error (The rotor is blocked or the differential pressure in the refrigeration system is too high (>5 bar)).
2	Fan over-current cut-out (The fan loads the electronic unit with more than 1A _{peak}).
1	Battery protection cut-out (The voltage is outside the cut-out setting).

BD80F

Number of flashes	Error type
5	Thermal cut-out of electronic unit (If the refrigeration system has been too heavily loaded, or if the ambient temperature is high, the electronic unit will run too hot).
4	Minimum motor speed error (If the refrigeration system is too heavily lo-aded, the motor cannot maintain minimum speed at approximately 2,450 rpm).
3	Motor start error (The rotor is blocked or the differential pressure in the refrigeration system is too high (>5 bar)).
2	Fan over-current cut-out (The fan loads the electronic unit with more than 1A _{peak}).
1	Battery protection cut-out (The voltage is outside the cut-out setting).

Fan connection If a fan is to be used, it must be connected to the electronic unit terminals + and F. Always use a 12V fan, also in 24V systems, as the electronic unit will automatically reduce the applied voltage to 12V for the fan. Using the special solar electronic unit 101N0400, the fan runs with input voltage always. The max. load on the electronic unit is $0.5A_{\text{average}}$ or $1A_{\text{peak}}$. The fan is allowed to start with a higher current for the first 2 seconds. If the fan becomes overloaded, both fan and compressor will be cut out by the overload protection.

Troubleshooting To diagnose why a compressor comes to an unintended stop, it is recommended to have a Light Emitting Diode (LED) installed between the terminals + and D, please see page 3 and 4. Provided that the electronic unit is properly connected to the power supply, and the thermostat is on, the number of flashes emitted by the LED will give a hint about the reason for the interruption of the compressor operation. The motor windings can be checked for defects by measuring the resistance between the current lead-in pins. If the measured values between all 3 pins are approximately the same, the motor is most likely all right. The electronic unit is not to be repaired, it should not be opened at all.

Protection systems The BD compressor protection system facilitates protection against compressor overload and start failure, fan overload and electronic unit overheating as well as destructive battery discharge. When an overload protection is activated, the compressor enters a cycle in which it makes start attempts at about 60 seconds intervals until a successful start is achieved.

Overload protections The compressor overload and start protection cuts off power to the compressor if the compressor speed drops below approximately 1,850 rpm (BD35F/BD50F/BD35K) or 2,450 rpm (BD80F) or this motor speed is not reached during the start sequence. Possible reasons for overload protection activating could be excess refrigeration system pressures during operation or too high pressure difference. The fan overload protection stops the compressor and fan if the fan current exceeds $0.5A_{\text{average}}$ or $1A_{\text{peak}}$. An overheating of the electronic unit heat sink will cause the compressor to stop. Restart will occur automatically when the temperature has dropped. If a fan is installed, it will continue to run if the compressor stops due to overload or electronic unit overheating.

Voltage protection If a voltage outside the specified range is applied to the electronic unit, the compressor does not start, or it stops if the voltage limit is exceeded during operation. The compressor will restart automatically about 1 minute after the supply voltage has reached the reset voltage within the range in question. If a fan is installed, it will start to operate without a delay as soon as the reset voltage is reached.

Battery protection (BD35F / BD50F / BD80F) To ensure sufficient battery power for proper compressor operation or to avoid permanent damage to the battery because of heavy discharge, the BD electronic unit facilitates also a battery protection. The compressor is stopped and restarted again according to the decided voltage limits measured on the + and - terminals of the electronic unit.

Standard battery protection settings

12V cut-out V	12V cut-in V	24V cut-out V	24V cut-in V
10.4	11.7	22.8	24.2

Other battery protection settings are optional if a connection, which includes a resistor, is established between terminals C and P, please see the wiring diagram page 3.

Optional battery protection settings

Resistor (R9) kΩ	12V cut-out V	12V cut-in V	12V max. voltage	24V cut-out V	24V cut-in V	24V max. voltage
0	9.6	10.9	17.0	21.3	22.7	31.5
1.6	9.7	11.0	17.0	21.5	22.9	31.5
2.4	9.9	11.1	17.0	21.8	23.2	31.5
3.6	10.0	11.3	17.0	22.0	23.4	31.5
4.7	10.1	11.4	17.0	22.3	23.7	31.5
6.2	10.2	11.5	17.0	22.5	23.9	31.5
8.2	10.4	11.7	17.0	22.8	24.2	31.5
11	10.5	11.8	17.0	23.0	24.5	31.5
14	10.6	11.9	17.0	23.3	24.7	31.5
18	10.8	12.0	17.0	23.6	25.0	31.5
24	10.9	12.2	17.0	23.8	25.2	31.5
33	11.0	12.3	17.0	24.1	25.5	31.5
47	11.1	12.4	17.0	24.3	25.7	31.5
82	11.3	12.5	17.0	24.6	26.0	31.5
220	9.6	10.9				31.5

BD35F

Direct Current Compressor

R134a

12 - 24V

Data Sheet (Replaces CD.46.A7.02)

Code numbers

BD35F without electronic unit	101Z0200
Electronic unit 12-24V DC - standard	single: 101N0210, 30 pcs: 101N0211
Electronic unit 12-24V DC - w. metal shielding	single: 101N0220, 30 pcs: 101N0221
Electronic unit 12-24V DC - with AEO	single: 101N0300, 30 pcs: 101N0301

Application

Application	LBP/MBP/(HBP)
Evaporating temperature range °C	-30 to 0 (10)
Voltage range / max. voltage	12 - 24V DC / 31.5V DC
Max. machine compartment temperature °C	55
Comp. cooling at ambient temp. 43°C	S or F ₁ *

Design

* depending on application

Displacement	cm ³	2.00
Oil quantity	cm ³	150
Maximum refrigerant charge	g	300
Free gas vol. in compressor	cm ³	870
Weight: Compressor/Electronic unit	kg	4.3/0.25

Motor

Motor type	Variable speed
Resistance, all 3 windings (25°C)	Ω 2.3
Approvals	E472/245 95/54 0277 00, UL984, CSA-C22.2

Dimensions

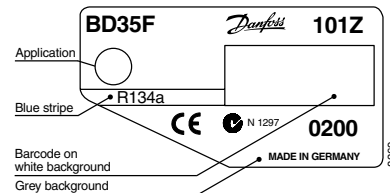
Height	mm	A	137
		B	135
		B1	128
		B2	73
Suction connector	location/I.D. mm	C	6.2 ±0.09
Process connector	location/I.D. mm	D	6.2 ±0.09
Discharge connector	location/I.D. mm	E	5.0 +0.12/+0.20
Compressors on a pallet	pcs.		150

Standard battery protection settings (no connection C - P)

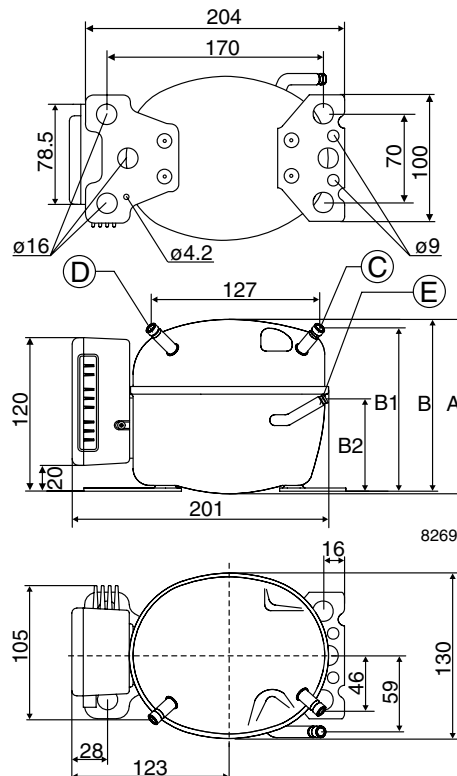
12V cut-out [V]	12V cut-in [V]	24V cut-out [V]	24V cut - in [V]
10.4	11.7	22.8	24.2

Optional battery protection settings

Resistor (R2) [kΩ]	12V cut-out [V]	12V cut-in [V]	12V max. Voltage	24V cut-out [V]	24V cut-in [V]	24V max. Voltage
0	9.6	10.9	17.0	21.3	22.7	31.5
1.6	9.7	11.0	17.0	21.5	22.9	31.5
2.4	9.9	11.1	17.0	21.8	23.2	31.5
3.6	10.0	11.3	17.0	22.0	23.4	31.5
4.7	10.1	11.4	17.0	22.3	23.7	31.5
6.2	10.2	11.5	17.0	22.5	23.9	31.5
8.2	10.4	11.7	17.0	22.8	24.2	31.5
11	10.5	11.8	17.0	23.0	24.5	31.5
14	10.6	11.9	17.0	23.3	24.7	31.5
18	10.8	12.0	17.0	23.6	25.0	31.5
24	10.9	12.2	17.0	23.8	25.2	31.5
33	11.0	12.3	17.0	24.1	25.5	31.5
47	11.1	12.4	17.0	24.3	25.7	31.5
82	11.3	12.5	17.0	24.6	26.0	31.5
220	9.6	10.9				31.5



- S = Static cooling normally sufficient
- O = Oil cooling
- F₁ = Fan cooling 1.5 m/s (compressor compartment temperature equal to ambient temperature)
- F₂ = Fan cooling 3.0 m/s necessary



Capacity (EN 12900/CECOMAF)
watt

rpm \ °C	-30	-25	-23.3	-20	-15	-10	-5	0	5	10
2,000	15.8	23.9	26.9	33.1	43.8	56.6	71.7	89.9	111	136
2,500	20.2	29.9	33.5	41.2	54.6	70.7	89.7	112	139	
3,000	22.5	32.4	36.5	45.4	61.8	81.7	105	133		
3,500	26.2	35.9	40.4	50.5	69.8	93.6	122			

Capacity (ASHRAE)
watt

rpm \ °C	-30	-25	-23.3	-20	-15	-10	-5	0	5	10
2,000	19.5	29.4	33.1	40.7	54.0	69.8	88.6	111	137	169
2,500	24.9	36.8	41.3	50.7	67.3	87.1	111	139	172	
3,000	27.7	39.9	44.9	55.9	76.1	101	130	164		
3,500	32.2	44.2	49.7	62.2	86.0	115	150			

Power consumption
watt

rpm \ °C	-30	-25	-23.3	-20	-15	-10	-5	0	5	10
2,000	17.6	23.4	25.3	28.7	33.6	38.3	43.0	48.0	53.4	59.5
2,500	23.3	30.9	33.3	37.8	44.1	50.2	56.2	62.3	68.7	
3,000	29.9	36.0	38.3	43.0	50.7	58.7	66.8	74.8		
3,500	36.0	42.8	45.4	50.8	59.5	68.9	78.5			

Current consumption (for 24V applications the following must be halved)
A

rpm \ °C	-30	-25	-23.3	-20	-15	-10	-5	0	5	10
2,000	1.5	2.0	2.1	2.4	2.8	3.2	3.6	4.0	4.5	5.0
2,500	1.9	2.6	2.8	3.2	3.7	4.2	4.7	5.2	5.8	
3,000	2.5	3.0	3.2	3.6	4.2	4.9	5.6	6.2		
3,500	3.0	3.6	3.8	4.3	5.0	5.7	6.5			

COP (EN 12900/CECOMAF)
W/W

rpm \ °C	-30	-25	-23.3	-20	-15	-10	-5	0	5	10
2,000	0.90	1.02	1.06	1.15	1.31	1.48	1.67	1.87	2.08	2.29
2,500	0.87	0.97	1.01	1.09	1.24	1.41	1.60	1.80	2.02	
3,000	0.75	0.90	0.95	1.06	1.22	1.39	1.58	1.78		
3,500	0.73	0.84	0.89	1.00	1.17	1.36	1.55			

COP (ASHRAE)
W/W

rpm \ °C	-30	-25	-23.3	-20	-15	-10	-5	0	5	10
2,000	1.10	1.25	1.31	1.42	1.61	1.82	2.06	2.31	2.57	2.84
2,500	1.07	1.19	1.24	1.34	1.53	1.74	1.97	2.23	2.50	
3,000	0.93	1.11	1.17	1.30	1.50	1.72	1.95	2.20		
3,500	0.89	1.03	1.09	1.23	1.44	1.68	1.91			

Test conditions
 Condensing temperature 55°C
 Ambient and suction gas temp. 32°C
 Liquid temperature 55°C
 Static cooling, 12V DC
 1 Watt = 0.86 kcal/h

EN 12900/CECOMAF
 55°C
 32°C
 55°C

ASHRAE
 55°C
 32°C
 32°C

Compressor speed

Electronic unit	Resistor (R1) Ω	Motor speed rpm	Contr.circ. current mA
101N0210 101N0220	0	2,000	5
	277	2,500	4
	692	3,000	3
	1523	3,500	2
101N0300 with AEO	0	AEO	6
	173	2,000	5
	450	2,500	4
	865	3,000	3
	1696	3,500	2

In AEO (Adaptive Energy Optimizing) speed mode the BD compressor will always adapt its speed to the actual cooling demand.

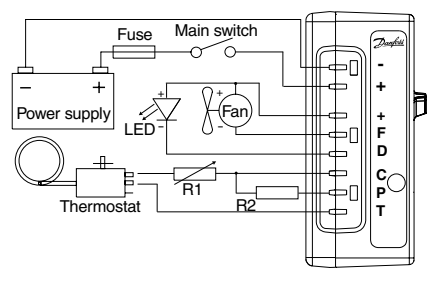
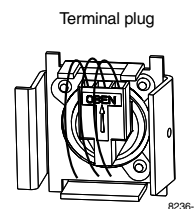
Accessories

Devices	BD35F
Standard automobile fuse DIN 7258 12V: 15A 24V: 7.5A	Not deliverable from Danfoss
Mounting accessories	
Bolt joint for one compressor	118-1917
Bolt joint in quantities	118-1918
Snap on in quantities	118-1919

Wire dimensions

AWG	Size Cross section mm ²	Max length* 12V operation		Max length* 24V operation	
		ft.	m	ft.	m
12	2.5	8	2.5	16	5
12	4	13	4	26	8
10	6	19.5	6	39	12
8	10	32.8	10	65.6	20

*Length between battery and electronic unit


Operational errors shown by LED (optional)

Number of flashes	Error type
5	Thermal cut-out of electronic unit (If the refrigeration system has been too heavily loaded, or if the ambient temperature is high, the electronic unit will run too hot).
4	Minimum motor speed error (If the refrigeration system is too heavily loaded, the motor cannot maintain minimum speed at approximately 1,850 rpm).
3	Motor start error (The rotor is blocked or the differential pressure in the refrigeration system is too high (>5 bar)).
2	Fan over-current cut-out (The fan loads the electronic unit with more than 1A _{peak}).
1	Battery protection cut-out (The voltage is outside the cut-out setting).

BD35F (Inch Connectors) Direct Current Compressor R134a, 12 - 24V

Data Sheet (Replaces CD.46.C1.22)

Code numbers

BD35F without electronic unit	101Z0204
Electronic unit 12-24V DC - standard	single: 101N0210, 30 pcs: 101N0211
Electronic unit 12-24V DC - w. metal shielding	single: 101N0220, 30 pcs: 101N0221
Electronic unit 12-24V DC - with AEO	single: 101N0300, 30 pcs: 101N0301

Application

Application	LBP/MBP/ [HBP]
Evaporating temperature range °F (°C)	-22 to 32 [50] (-30 to 0 [10])
Voltage range / max. voltage	12 - 24V DC / 31.5V DC
Max. machine compartment temp. °F (°C)	131 (55)
Comp. cooling at ambient temp. 110°F (43°C)	S or F ₁ *

Design

Displacement	cu.in. (cm ³)	0.12 (2.00)
Oil quantity	fl.oz. (cm ³)	5.1 (150)
Maximum refrigerant charge	oz. (g)	10.5 (300)
Free gas vol. in compressor	fl.oz. (cm ³)	29.6 (870)
Weight: Compressor/Electronic unit	lbs. (kg)	9.5/0.55 (4.3/0.25)

Motor

Motor type	Variable speed
Resistance, all 3 windings (77°F)	Ω 2.3
Approvals (electronic unit)	E4 72/245 95/54 0277 00, UL984, CSA-C22.2

Dimensions

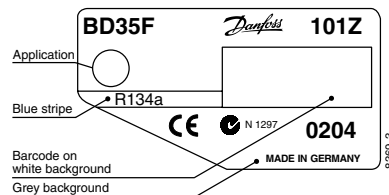
Height	in. (mm)	A	5.39 (137)
		B	5.32 (135)
		B1	5.04 (128)
		B2	2.87 (73)
Suction connector	location/I.D. in. (mm)	C	0.252-0.259 (6.5±0.09)
Process connector	location/I.D. in. (mm)	D	0.252-0.259 (6.5±0.09)
Discharge connector	location/I.D. in. (mm)	E	0.202-0.205 (5.0+0.12/0.20)
Compressors on a pallet	pcs.		150

Standard battery protection settings (no connection C - P)

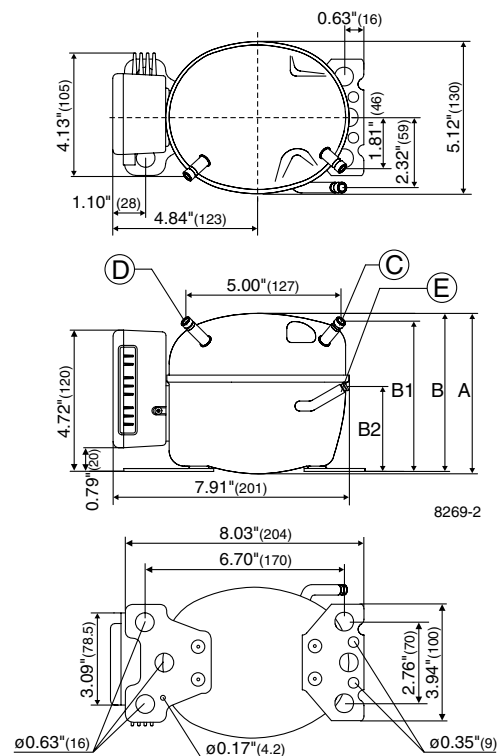
12V cut-out [V]	12V cut-in [V]	24V cut-out [V]	24V cut - in [V]
10.4	11.7	22.8	24.2

Optional battery protection settings

Resistor (R2) [kΩ]	12V cut-out [V]	12V cut-in [V]	12V max. Voltage	24V cut-out [V]	24V cut-in [V]	24V max. Voltage
0	9.6	10.9	17.0	21.3	22.7	31.5
1.6	9.7	11.0	17.0	21.5	22.9	31.5
2.4	9.9	11.1	17.0	21.8	23.2	31.5
3.6	10.0	11.3	17.0	22.0	23.4	31.5
4.7	10.1	11.4	17.0	22.3	23.7	31.5
6.2	10.2	11.5	17.0	22.5	23.9	31.5
8.2	10.4	11.7	17.0	22.8	24.2	31.5
11	10.5	11.8	17.0	23.0	24.5	31.5
14	10.6	11.9	17.0	23.3	24.7	31.5
18	10.8	12.0	17.0	23.6	25.0	31.5
24	10.9	12.2	17.0	23.8	25.2	31.5
33	11.0	12.3	17.0	24.1	25.5	31.5
47	11.1	12.4	17.0	24.3	25.7	31.5
82	11.3	12.5	17.0	24.6	26.0	31.5
220	9.6	10.9	17.0			31.5



- S = Static cooling normally sufficient
- O = Oil cooling
- F₁ = Fan cooling 1.5 m/s (compressor compartment temperature equal to ambient temperature)
- F₂ = Fan cooling 3.0 m/s necessary



Capacity (ASHRAE)

rpm \ °F	-20	-13	-10	0	10	20	30	40	45	50
2,000	74	101	113	159	214	280	361	458	514	575
2,500	95	127	142	199	268	351	452	573	643	
3,000	104	138	155	222	307	410	535	681		
3,500	119	153	171	248	349	473	619			

Btu/h
Capacity (EN 12900/CECOMAF)

rpm \ °F	-20	-13	-10	0	10	20	30	40	45	50
2,000	17.5	23.9	26.8	37.6	50.6	66.4	85.5	109	122	136
2,500	22.2	29.9	33.4	46.9	63.2	83.0	107	136	152	
3,000	24.5	32.4	36.4	52.3	72.4	97.0	126	161		
3,500	27.9	35.9	40.3	58.5	82.5	112	147			

watt
Power consumption

rpm \ °F	-20	-13	-10	0	10	20	30	40	45	50
2,000	19.1	23.5	25.3	30.8	36.1	41.3	46.6	52.5	55.7	59.1
2,500	25.2	31.0	33.3	40.7	47.4	54.0	60.7	67.7	71.5	
3,000	31.0	35.8	38.0	45.9	54.5	63.4	72.2	80.6		
3,500	37.5	42.9	45.4	54.5	64.4	74.9	85.7			

watt
Current consumption (for 24V applications the following must be halved)

rpm \ °F	-20	-13	-10	0	10	20	30	40	45	50
2,000	1.59	1.96	2.10	2.57	3.01	3.44	3.89	4.37	4.64	4.93
2,500	2.10	2.58	2.77	3.38	3.95	4.49	5.05	5.63	5.95	
3,000	2.61	3.01	3.19	3.86	4.58	5.32	6.06	6.76		
3,500	3.14	3.58	3.79	4.55	5.38	6.25	7.15			

A
EER (ASHRAE)

rpm \ °F	-20	-13	-10	0	10	20	30	40	45	50
2,000	3.87	4.29	4.48	5.16	5.93	6.80	7.74	8.73	9.23	9.73
2,500	3.75	4.09	4.26	4.89	5.64	6.50	7.45	8.47	8.99	
3,000	3.36	3.86	4.07	4.83	5.63	6.48	7.41	8.44		
3,500	3.16	3.56	3.77	4.56	5.42	6.31	7.23			

Btu/Wh
COP (EN 12900/CECOMAF)

rpm \ °F	-20	-13	-10	0	10	20	30	40	45	50
2,000	0.92	1.02	1.06	1.22	1.40	1.60	1.82	2.06	2.17	2.29
2,500	0.89	0.97	1.01	1.15	1.33	1.53	1.76	2.00	2.12	
3,000	0.79	0.90	0.96	1.13	1.32	1.52	1.74	1.98		
3,500	0.75	0.84	0.89	1.07	1.28	1.49	1.70			

W/W
Compressor speed

Electronic unit	Resistor (R1) Ω	Motor speed rpm	Contr.circ. current mA
101N0210 101N0220	0	2,000	5
	277	2,500	4
	692	3,000	3
	1523	3,500	2
101N0300 with AEO	0	AEO	6
	173	2,000	5
	450	2,500	4
	865	3,000	3
	1696	3,500	2

In AEO (Adaptive Energy Optimizing) speed mode the BD compressor will always adapt its speed to the actual cooling demand.

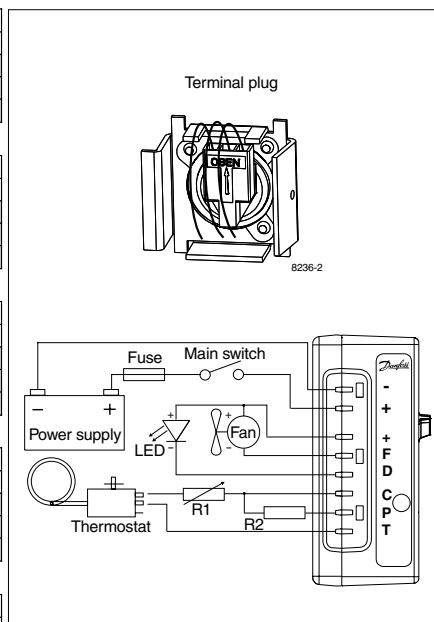
Wire dimensions

Size AWG Gauge	Cross section mm ²	Max length* 12V operation		Max length* 24V operation	
		ft.	m	ft.	m
12	2.5	8	2.5	16	5
12	4	13	4	26	8
10	6	19.5	6	39	12
8	10	32.8	10	65.6	20

*Length between battery and electronic unit

Accessories

Devices	BD35F
Standard automobile fuse DIN 7258 12V: 15A 24V: 7.5A	Not deliverable from Danfoss
Mounting accessories	
Bolt joint for one compressor	118-1917
Bolt joint in quantities	118-1918
Snap on in quantities	118-1919



Test conditions
 Condensing temperature 130°F (54.4°C) ASHRAE 55°C (131°F) EN 12900
 Ambient & suction gas temp. 90°F (32°C) 32°C (90°F)
 Liquid temperature 90°F (32°C) 55°C (131°F)
 Static cooling, 12V DC
 1 Watt = 3.41 Btu/h = 0.86 kcal/h

Operational errors shown by LED (optional)

Number of flashes	Error type
5	Thermal cut-out of electronic unit (If the refrigeration system has been too heavily loaded, or if the ambient temperature is high, the electronic unit will run too hot).
4	Minimum motor speed error (If the refrigeration system is too heavily loaded, the motor cannot maintain minimum speed at approximately 1,850 rpm).
3	Motor start error (The rotor is blocked or the differential pressure in the refrigeration system is too high (>5 bar)).
2	Fan over-current cut-out (The fan loads the electronic unit with more than 1A _{peak}).
1	Battery protection cut-out (The voltage is outside the cut-out setting).

BD50F

Direct Current Compressor

R134a

12 - 24V

Data Sheet (Replaces CD.46.B5.02)

Code numbers

BD50F without electronic unit	101Z1220
Electronic unit 12-24V DC - standard	single: 101N0210, 30 pcs: 101N0211
Electronic unit 12-24V DC - w. metal shielding	single: 101N0220, 30 pcs: 101N0221
Electronic unit 12-24V DC - with AEO	single: 101N0300, 30 pcs: 101N0301

Application

Application	LBP/MBP/(HBP)
Evaporating temperature range °C	-30 to 0 (10)
Voltage range / max. voltage	12 - 24V DC / 31.5V DC
Max. machine compartment temperature °C	55
Comp. cooling at ambient temp. 43°C	S or F ₁ *

Design

* depending on application

Displacement	cm ³	2.50
Oil quantity	cm ³	150
Maximum refrigerant charge	g	300
Free gas vol. in compressor	cm ³	870
Weight: Compressor/Electronic unit	kg	4.3/0.25

Motor

Motor type	Variable speed
Resistance, all 3 windings (25°C)	Ω 2.0
Approvals (electronic unit)	E4 72/245 95/54 0277 00, UL984, CSA-C22.2

Dimensions

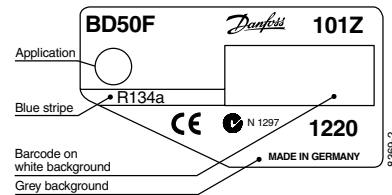
Height	mm	A	137
		B	135
		B1	128
		B2	73
Suction connector	location/I.D. mm	C	6.2 ±0.09
Process connector	location/I.D. mm	D	6.2 ±0.09
Discharge connector	location/I.D. mm	E	5.0 +0.12/+0.20
Compressors on a pallet	pcs.		150

Standard battery protection settings (no connection C - P)

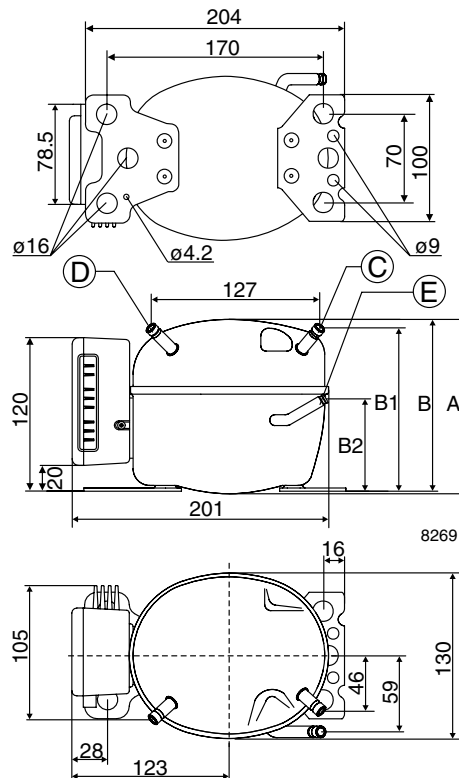
12V cut-out [V]	12V cut-in [V]	24V cut-out [V]	24V cut-in [V]
10.4	11.7	22.8	24.2

Optional battery protection settings

Resistor (R2) [kΩ]	12V cut-out [V]	12V cut-in [V]	12V max. Voltage	24V cut-out [V]	24V cut-in [V]	24V max. Voltage
0	9.6	10.9	17.0	21.3	22.7	31.5
1.6	9.7	11.0	17.0	21.5	22.9	31.5
2.4	9.9	11.1	17.0	21.8	23.2	31.5
3.6	10.0	11.3	17.0	22.0	23.4	31.5
4.7	10.1	11.4	17.0	22.3	23.7	31.5
6.2	10.2	11.5	17.0	22.5	23.9	31.5
8.2	10.4	11.7	17.0	22.8	24.2	31.5
11	10.5	11.8	17.0	23.0	24.5	31.5
14	10.6	11.9	17.0	23.3	24.7	31.5
18	10.8	12.0	17.0	23.6	25.0	31.5
24	10.9	12.2	17.0	23.8	25.2	31.5
33	11.0	12.3	17.0	24.1	25.5	31.5
47	11.1	12.4	17.0	24.3	25.7	31.5
82	11.3	12.5	17.0	24.6	26.0	31.5
220	9.6	10.9				31.5



- S = Static cooling normally sufficient
- O = Oil cooling
- F₁ = Fan cooling 1.5 m/s (compressor compartment temperature equal to ambient temperature)
- F₂ = Fan cooling 3.0 m/s necessary



Capacity (EN 12900/CECOMAF)

rpm \ °C	-30	-25	-23.3	-20	-15	-10	-5	0	5	10
2,000	20.1	31.0	34.9	42.8	56.3	72.2	91.6	115	144*	178*
2,500	27.0	39.0	43.4	52.7	68.9	88.9	113	144*	181*	
3,000	31.0	45.4	50.6	61.5	80.7	104	134*	171*		
3,500	38.1	53.2	59.1	71.9	95.0	124*	159*			

Capacity (ASHRAE)

rpm \ °C	-30	-25	-23.3	-20	-15	-10	-5	0	5	10
2,000	24.7	38.3	43.1	52.9	69.5	89.3	113	143	178*	221*
2,500	33.3	48.1	53.6	65.0	85.1	110	140	178*	224*	
3,000	38.2	56.0	62.5	75.9	100	129	166*	212*		
3,500	47.0	65.7	72.9	88.7	117	153*	196*			

Power consumption

rpm \ °C	-30	-25	-23.3	-20	-15	-10	-5	0	5	10
2,000	25.1	31.8	34.0	38.2	44.7	51.3	58.3	65.8	74.2*	83.5*
2,500	34.1	40.5	42.9	47.8	55.8	64.7	74.3	84.8*	96.1*	
3,000	39.9	49.2	52.2	57.8	66.5	76.4	88.4*	104*		
3,500	50.2	59.3	62.5	69.0	80.2	93.4*	109*			

Current consumption (for 24V applications the following must be halved)

rpm \ °C	-30	-25	-23.3	-20	-15	-10	-5	0	5	10
2,000	2.2	2.6	2.8	3.1	3.8	4.4	5.1	5.8	6.4*	6.9*
2,500	2.9	3.4	3.6	4.0	4.7	5.4	6.2	7.0*	7.8*	
3,000	3.5	4.2	4.4	4.9	5.6	6.5	7.4*	8.5*		
3,500	4.2	4.9	5.2	5.8	6.7	7.8*	9.0*			

COP (EN 12900/CECOMAF)

rpm \ °C	-30	-25	-23.3	-20	-15	-10	-5	0	5	10
2,000	0.80	0.98	1.03	1.12	1.26	1.41	1.57	1.75	1.94*	2.13*
2,500	0.79	0.96	1.01	1.10	1.24	1.37	1.53	1.70*	1.88*	
3,000	0.78	0.92	0.97	1.06	1.21	1.37	1.51*	1.65*		
3,500	0.76	0.90	0.95	1.04	1.19	1.32*	1.45*			

COP (ASHRAE)

rpm \ °C	-30	-25	-23.3	-20	-15	-10	-5	0	5	10
2,000	0.99	1.21	1.27	1.38	1.56	1.74	1.94	2.16	2.40*	2.65*
2,500	0.98	1.19	1.25	1.36	1.53	1.70	1.89	2.10*	2.33*	
3,000	0.96	1.14	1.20	1.31	1.50	1.69	1.87*	2.04*		
3,500	0.94	1.11	1.17	1.28	1.46	1.64*	1.80*			

Test conditions EN 12900/CECOMAF ASHRAE
 Condensing temperature 55°C 55°C
 Ambient and suction gas temp. 32°C 32°C
 Liquid temperature 55°C 32°C
 Static cooling, 12V DC

* Fan cooling of electronic unit compulsory
 1 Watt = 0.86 kcal/h

Compressor speed

Electronic unit	Resistor (R1) Ω	Motor speed rpm	Contr.circ. current mA
101N0210 101N0220	0	2,000	5
	277	2,500	4
	692	3,000	3
	1523	3,500	2
101N0300 with AEO	0	AEO	6
	173	2,000	5
	450	2,500	4
	865	3,000	3
	1696	3,500	2

In AEO (Adaptive Energy Optimizing) speed mode the BD compressor will always adapt its speed to the actual cooling demand.

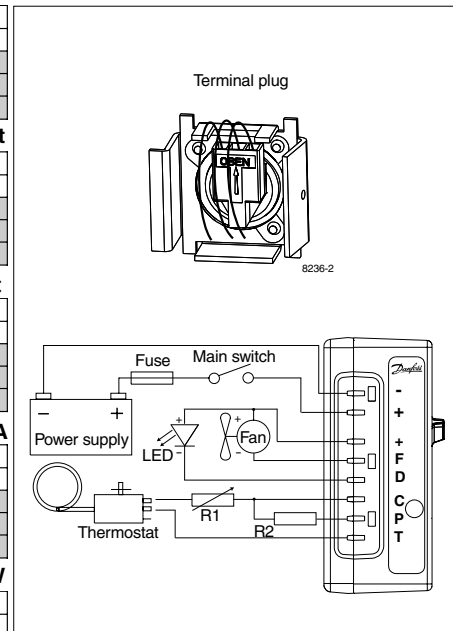
Accessories

Devices	BD50F
Standard automobile fuse DIN 7258 12V: 15A 24V: 7.5A	Not deliverable from Danfoss
Mounting accessories	
Bolt joint for one compressor	118-1917
Bolt joint in quantities	118-1918
Snap on in quantities	118-1919

Wire dimensions

AWG	Size Cross section mm ²	Max length* 12V operation		Max length* 24V operation	
		ft.	m	ft.	m
12	2.5	8	2.5	16	5
12	4	13	4	26	8
10	6	19.5	6	39	12
8	10	32.8	10	65.6	20

*Length between battery and electronic unit


Operational errors shown by LED (optional)

Number of flashes	Error type
5	Thermal cut-out of electronic unit (If the refrigeration system has been too heavily loaded, or if the ambient temperature is high, the electronic unit will run too hot).
4	Minimum motor speed error (If the refrigeration system is too heavily loaded, the motor cannot maintain minimum speed at approximately 1,850 rpm).
3	Motor start error (The rotor is blocked or the differential pressure in the refrigeration system is too high (>5 bar)).
2	Fan over-current cut-out (The fan loads the electronic unit with more than 1A _{peak}).
1	Battery protection cut-out (The voltage is outside the cut-out setting).

BD50F (Inch Connectors) Direct Current Compressor R134a, 12 - 24V

Data Sheet (Replaces CD.46.D1.22)

Code numbers

BD50F without electronic unit	101Z0203
Electronic unit 12-24V DC - standard	single: 101N0210, 30 pcs: 101N0211
Electronic unit 12-24V DC - w. metal shielding	single: 101N0220, 30 pcs: 101N0221
Electronic unit 12-24V DC - with AEO	single: 101N0300, 30 pcs: 101N0301

Application

Application	LBP/MBP/ [HBP]
Evaporating temperature range °F (°C)	-22 to 32 [50] (-30 to 0 [10])
Voltage range / max. voltage	12 - 24V DC / 31.5V DC
Max. machine compartment temp. °F (°C)	131 (55)
Comp. cooling at ambient temp. 110°F (43°C)	S or F ₁ *

Design

Displacement	cu.in. (cm ³)	0.15 (2.50)
Oil quantity	fl.oz. (cm ³)	5.1 (150)
Maximum refrigerant charge	oz. (g)	10.5 (300)
Free gas vol. in compressor	fl.oz. (cm ³)	29.6 (870)
Weight: Compressor/Electronic unit	lbs. (kg)	9.5/0.55 (4.3/0.25)

Motor

Motor type	Variable speed
Resistance, all 3 windings (77°F)	Ω 2.0
Approvals (electronic unit)	E4 72/245 95/54 0277 00, UL984, CSA-C22.2

Dimensions

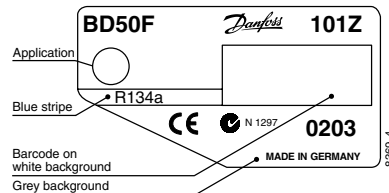
Height	in. (mm)	A	5.39 (137)
		B	5.32 (135)
		B1	5.04 (128)
		B2	2.87 (73)
Suction connector location/I.D.	in. (mm)	C	0.252-0.259 (6.5±0.09)
Process connector location/I.D.	in. (mm)	D	0.252-0.259 (6.5±0.09)
Discharge connector location/I.D.	in. (mm)	E	0.202-0.205 (5.0+0.12/0.20)
Compressors on a pallet	pcs.		150

Standard battery protection settings (no connection C - P)

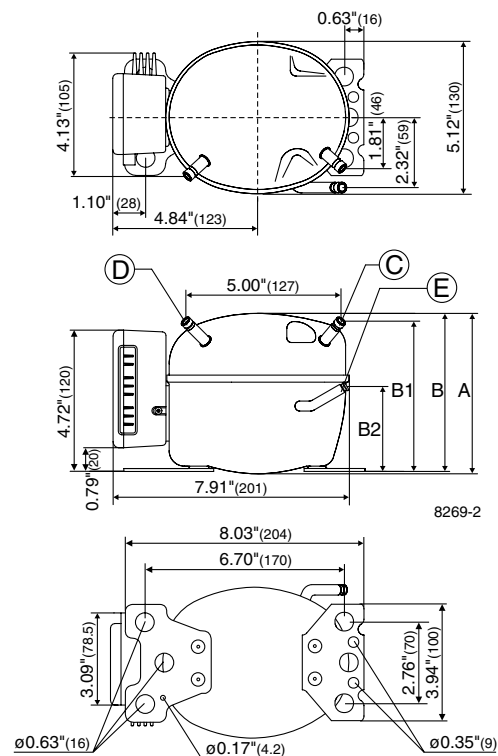
12V cut-out [V]	12V cut-in [V]	24V cut-out [V]	24V cut - in [V]
10.4	11.7	22.8	24.2

Optional battery protection settings

Resistor (R2) [kΩ]	12V cut-out [V]	12V cut-in [V]	12V max. Voltage	24V cut-out [V]	24V cut-in [V]	24V max. Voltage
0	9.6	10.9	17.0	21.3	22.7	31.5
1.6	9.7	11.0	17.0	21.5	22.9	31.5
2.4	9.9	11.1	17.0	21.8	23.2	31.5
3.6	10.0	11.3	17.0	22.0	23.4	31.5
4.7	10.1	11.4	17.0	22.3	23.7	31.5
6.2	10.2	11.5	17.0	22.5	23.9	31.5
8.2	10.4	11.7	17.0	22.8	24.2	31.5
11	10.5	11.8	17.0	23.0	24.5	31.5
14	10.6	11.9	17.0	23.3	24.7	31.5
18	10.8	12.0	17.0	23.6	25.0	31.5
24	10.9	12.2	17.0	23.8	25.2	31.5
33	11.0	12.3	17.0	24.1	25.5	31.5
47	11.1	12.4	17.0	24.3	25.7	31.5
82	11.3	12.5	17.0	24.6	26.0	31.5
220	9.6	10.9	17.0			31.5



- S = Static cooling normally sufficient
- O = Oil cooling
- F₁ = Fan cooling 1.5 m/s (compressor compartment temperature equal to ambient temperature)
- F₂ = Fan cooling 3.0 m/s necessary



Capacity (ASHRAE)

rpm \ °F	-20	-13	-10	0	10	20	30	40	45	50
2,000	95	126	142	201	273	359	458	570	632*	697*
2,500	119	157	176	247	335	442	570	723*	809*	
3,000	142	189	211	296	401	529	682*	863*		
3,500	167	220	245	342	464	612*	790*			

Btu/h
Capacity (EN 12900/CECOMAF)

rpm \ °F	-20	-13	-10	0	10	20	30	40	45	50
2,000	22.6	30.0	33.6	47.7	64.9	85.2	109	135	150*	165*
2,500	28.2	37.3	41.7	58.5	79.3	105	135	171*	191*	
3,000	33.7	44.8	50.1	70.4	95.2	125	161*	204*		
3,500	39.8	52.2	58.2	81.3	110	145*	187*			

watt
Power consumption

rpm \ °F	-20	-13	-10	0	10	20	30	40	45	50
2,000	27.4	32.5	34.6	41.7	49.0	56.8	65.4	75.1	80.4*	86.2*
2,500	34.3	41.4	44.3	54.0	63.4	73.0	82.8	93.1*	98.6*	
3,000	41.4	50.1	53.7	65.2	76.2	87.4	98.9*	111*		
3,500	49.6	58.8	62.6	75.5	88.7	103*	119*			

watt
Current consumption (for 24V applications the following must be halved)

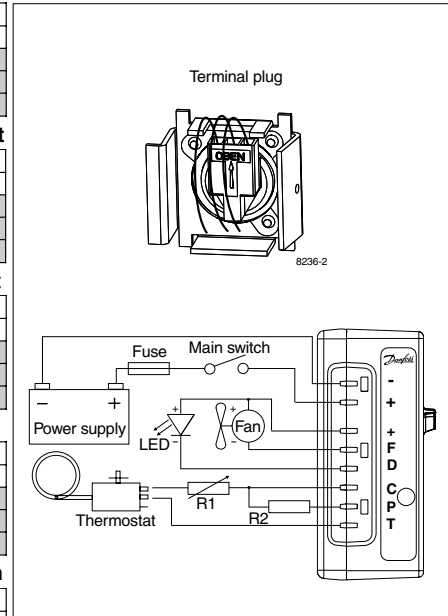
rpm \ °F	-20	-13	-10	0	10	20	30	40	45	50
2,000	2.28	2.69	2.87	3.50	4.18	4.90	5.65	6.45	6.87*	7.29*
2,500	2.86	3.41	3.65	4.45	5.26	6.10	6.94	7.81*	8.25*	
3,000	3.52	4.16	4.43	5.37	6.33	7.31	8.32*	9.34*		
3,500	4.20	4.88	5.18	6.24	7.39	8.61*	9.91*			

A
EER (ASHRAE)

rpm \ °F	-20	-13	-10	0	10	20	30	40	45	50
2,000	3.49	3.89	4.09	4.81	5.57	6.31	7.00	7.60	7.85*	8.09*
2,500	3.47	3.81	3.97	4.58	5.28	6.05	6.88	7.76*	8.21*	
3,000	3.43	3.77	3.93	4.55	5.26	6.05	6.89*	7.76*		
3,500	3.37	3.74	3.91	4.54	5.23	5.94*	6.66*			

Btu/Wh
COP (EN 12900/CECOMAF)

rpm \ °F	-20	-13	-10	0	10	20	30	40	45	50
2,000	0.82	0.92	0.96	1.13	1.31	1.48	1.64	1.78	1.84*	1.90*
2,500	0.82	0.90	0.94	1.08	1.24	1.42	1.62	1.82*	1.93*	
3,000	0.81	0.89	0.93	1.07	1.24	1.42	1.62*	1.82*		
3,500	0.80	0.88	0.92	1.07	1.23	1.40*	1.56*			

W/W


Test conditions
 Condensing temperature ASHRAE 130°F (54.4°C) EN 12900 55°C (131°F)
 Ambient & suction gas temp. 90°F (32°C) 32°C (90°F)
 Liquid temperature 90°F (32°C) 55°C (131°F)
 Static cooling, 12V DC
 * Fan cooling of electronic unit compulsory
 1 Watt = 3.41 Btu/h = 0.86 kcal/h

Operational errors shown by LED (optional)

Number of flashes	Error type
5	Thermal cut-out of electronic unit (If the refrigeration system has been too heavily loaded, or if the ambient temperature is high, the electronic unit will run too hot).
4	Minimum motor speed error (If the refrigeration system is too heavily loaded, the motor cannot maintain minimum speed at approximately 1,850 rpm).
3	Motor start error (The rotor is blocked or the differential pressure in the refrigeration system is too high (>5 bar)).
2	Fan over-current cut-out (The fan loads the electronic unit with more than 1A _{peak}).
1	Battery protection cut-out (The voltage is outside the cut-out setting).

Compressor speed

Electronic unit	Resistor (R1) Ω	Motor speed rpm	Contr.circ. current mA
101IN0210 101IN0220	0	2,000	5
	277	2,500	4
	692	3,000	3
101IN0300 with AEO	0	AEO	6
	173	2,000	5
	450	2,500	4
	865	3,000	3
	1696	3,500	2

In AEO (Adaptive Energy Optimizing) speed mode the BD compressor will always adapt its speed to the actual cooling demand.

Wire dimensions

Size AWG	Cross section mm ²	Max length* 12V operation		Max length* 24V operation	
		ft.	m	ft.	m
12	2.5	8	2.5	16	5
12	4	13	4	26	8
10	6	19.5	6	39	12
8	10	32.8	10	65.6	20

*Length between battery and electronic unit

Accessories

Devices	BD50F
Standard automobile fuse DIN 7258 12V: 15A 24V: 7.5A	Not deliverable from Danfoss
Mounting accessories	
Bolt joint for one compressor	118-1917
Bolt joint in quantities	118-1918
Snap on in quantities	118-1919

BD80F

Direct Current Compressor

R134a

12 - 24V

Data Sheet (Replaces (CD.46.F1.02))

Code numbers

BD80F without electronic unit	101Z0280
Electronic unit 12-24V DC - standard	single: 101N0280, 28 pcs: 101N0281

Application

Application	LBP
Evaporating temperature range °C	-30 to -5
Voltage range / max. voltage	12 - 24V DC / 31.5V DC
Max. machine compartment temperature °C	43
Comp. cooling at ambient temp. 43°C	S or F ₁ *

Design

* depending on application

Displacement	cm ³	3.00
Oil quantity	cm ³	150
Maximum refrigerant charge	g	300
Free gas vol. in compressor	cm ³	870
Weight: Compressor/Electronic unit	kg	4.3/0.3

Motor

Motor type	Variable speed	
Resistance, all 3 windings (25°C)	Ω	2.0
Approvals (electronic unit)	E4 72/245 95/54 0277 00	

Dimensions

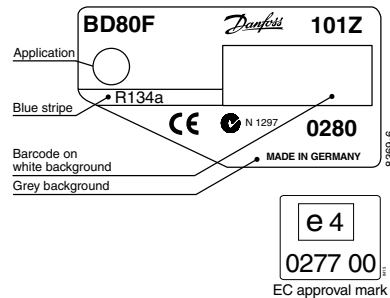
Height	mm	A	137
		B	135
		B1	128
		B2	73
Suction connector	location/l.D. mm	C	6.2 ± 0.09
Process connector	location/l.D. mm	D	6.2 ± 0.09
Discharge connector	location/l.D. mm	E	5.0 + 0.12/+0.20
Compressors on a pallet	pcs.		150

Standard battery protection settings (no connection C - P)

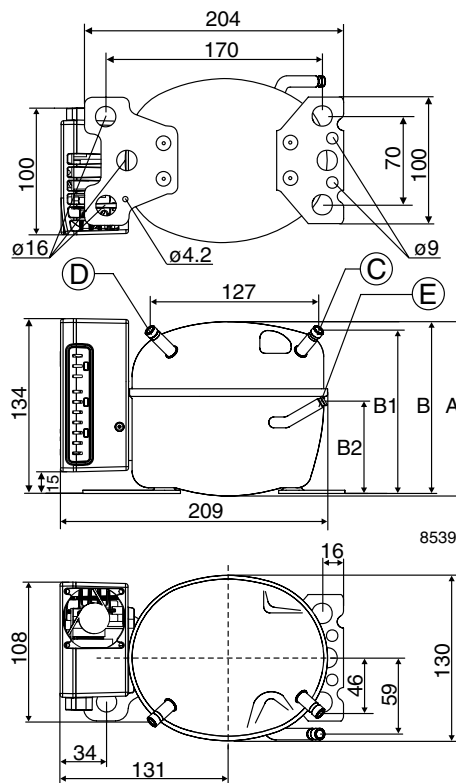
12V cut-out [V]	12V cut-in [V]	24V cut-out [V]	24V cut-in [V]
10.4	11.7	22.8	24.2

Optional battery protection settings

Resistor (R2) [kΩ]	12V cut-out [V]	12V cut-in [V]	12V max. Voltage	24V cut-out [V]	24V cut-in [V]	24V max. Voltage
0	9.6	10.9	17.0	21.3	22.7	31.5
1.6	9.7	11.0	17.0	21.5	22.9	31.5
2.4	9.9	11.1	17.0	21.8	23.2	31.5
3.6	10.0	11.3	17.0	22.0	23.4	31.5
4.7	10.1	11.4	17.0	22.3	23.7	31.5
6.2	10.2	11.5	17.0	22.5	23.9	31.5
8.2	10.4	11.7	17.0	22.8	24.2	31.5
11	10.5	11.8	17.0	23.0	24.5	31.5
14	10.6	11.9	17.0	23.3	24.7	31.5
18	10.8	12.0	17.0	23.6	25.0	31.5
24	10.9	12.2	17.0	23.8	25.2	31.5
33	11.0	12.3	17.0	24.1	25.5	31.5
47	11.1	12.4	17.0	24.3	25.7	31.5
82	11.3	12.5	17.0	24.6	26.0	31.5
220	9.6	10.9				31.5



- S = Static cooling normally sufficient
- O = Oil cooling
- F₁ = Fan cooling 1.5 m/s (compressor compartment temperature equal to ambient temperature)
- F₂ = Fan cooling 3.0 m/s necessary



Capacity (EN 12900/CECOMAF)

rpm \ °C	-30	-25	-23.3	-20	-15	-10	-5
2,500	35.3	49.5	55.0	66.6	87.1	112	140
3,100	41.8	59.0	65.6	79.6	104	133	168
3,800	49.6	70.5	78.5	95.3	125	159	200
4,400	54.8	78.0	86.7	105	138	176	221

Capacity (ASHRAE)

rpm \ °C	-30	-25	-23.3	-20	-15	-10	-5
2,500	43.5	61.1	67.8	82.2	108	138	174
3,100	51.5	72.8	80.9	98.2	129	165	207
3,800	61.1	87.0	96.8	118	154	197	248
4,400	67.6	96.1	107	130	170	218	274

Power consumption

rpm \ °C	-30	-25	-23.3	-20	-15	-10	-5
2,500	40.0	50.0	53.4	60.3	71.3	83.1	96
3,100	48.7	61.2	65.4	73.8	87.0	101	118
3,800	59.5	75.0	80.2	90.3	106	124	145
4,400	69.0	87.0	93.0	105	123	144	168

Current consumption (for 24V applications the following must be halved)

rpm \ °C	-30	-25	-23.3	-20	-15	-10	-5
2,500	3.3	4.2	4.5	5.0	5.9	6.9	8.0
3,100	4.1	5.1	5.5	6.1	7.2	8.5	9.8
3,800	5.0	6.3	6.7	7.5	8.9	10.3	12.1
4,400	5.8	7.2	7.7	8.7	10.3	12.0	14.0

COP (EN 12900/CECOMAF)

rpm \ °C	-30	-25	-23.3	-20	-15	-10	-5
2,500	0.88	0.99	1.03	1.10	1.22	1.34	1.46
3,100	0.86	0.96	1.00	1.08	1.20	1.31	1.42
3,800	0.83	0.94	0.98	1.06	1.17	1.28	1.39
4,400	0.79	0.90	0.93	1.01	1.12	1.22	1.32

COP (ASHRAE)

rpm \ °C	-30	-25	-23.3	-20	-15	-10	-5
2,500	1.09	1.22	1.27	1.36	1.51	1.66	1.81
3,100	1.06	1.19	1.24	1.33	1.48	1.62	1.76
3,800	1.03	1.16	1.21	1.30	1.45	1.59	1.71
4,400	0.98	1.11	1.15	1.24	1.38	1.51	1.63

Test conditions EN 12900/CECOMAF ASHRAE
 Condensing temperature 55°C 55°C
 Ambient and suction gas temp. 32°C 32°C
 Liquid temperature 55°C 32°C
 Static cooling, 12V DC
 Fan cooling of electronic unit integrated
 1 Watt = 0.86 kcal/h

Compressor speed

Electronic unit	Resistor (R1) Ω	Motor speed rpm	Contr.circ. current mA
101 N0280 with AEO	0	AEO	6
	203	2,500	5
	451	3,100	4
	867	3,800	3
	1700	4,400	2

In AEO (Adaptive Energy Optimizing) speed mode the BD compressor will always adapt its speed to the actual cooling demand.

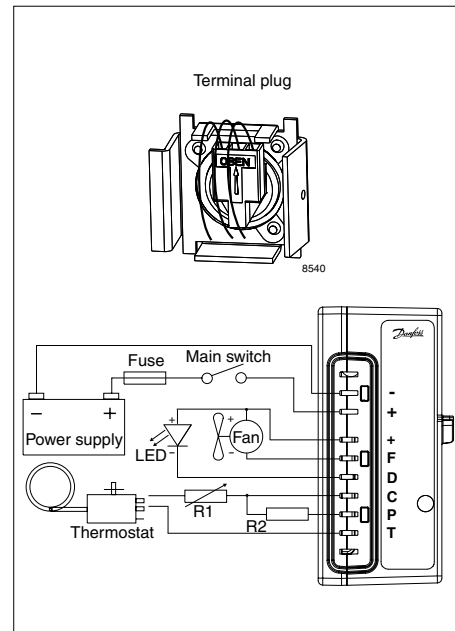
Wire dimensions

Cross section mm ²	Max length* m	
	12V operation	24V operation
6	2.5	5

*Length between battery and electronic unit

Accessories

Devices	BD80F
Standard automobile fuse DIN 7258	Not deliverable from Danfoss
12V: 30A	
24V: 15A	
Mounting accessories	
Bolt joint for one compressor	118-1917
Bolt joint in quantities	118-1918
Snap on in quantities	118-1919


Operational errors shown by LED (optional)

Number of flashes	Error type
5	Thermal cut-out of electronic unit (If the refrigeration system has been too heavily loaded, or if the ambient temperature is high, the electronic unit will run too hot).
4	Minimum motor speed error (If the refrigeration system is too heavily loaded, the motor cannot maintain minimum speed at approximately 2,450 rpm).
3	Motor start error (The rotor is blocked or the differential pressure in the refrigeration system is too high (>5 bar)).
2	Fan over-current cut-out (The fan loads the electronic unit with more than 1A _{peak}).
1	Battery protection cut-out (The voltage is outside the cut-out setting).

BD35F

Direct Current Compressor for Solar Applications

R134a

10 - 45V

Data Sheet

Code numbers

BD35F without electronic unit	101Z0210
Electronic unit 10-45V DC	single: 101N0400, 30 pcs: 101N0401

Application

Application	LBP/MBP/(HBP)
Evaporating temperature range °C	-30 to 0 (10)
Voltage range / max. voltage	10 - 45V DC
Fan output	same as input voltage
Max. machine compartment temperature °C	55
Comp. cooling at ambient temp. 43°C	S or F ₁ *

* depending on application

Design

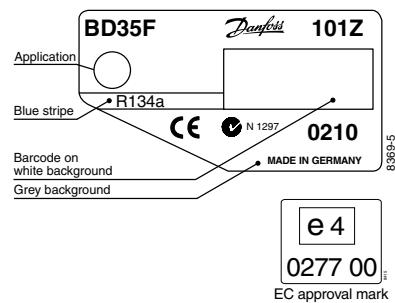
Displacement	cm ³	2.00
Oil quantity	cm ³	150
Maximum refrigerant charge	g	300
Free gas vol. in compressor	cm ³	870
Weight: Compressor/Electronic unit	kg	4.3/0.25

Motor

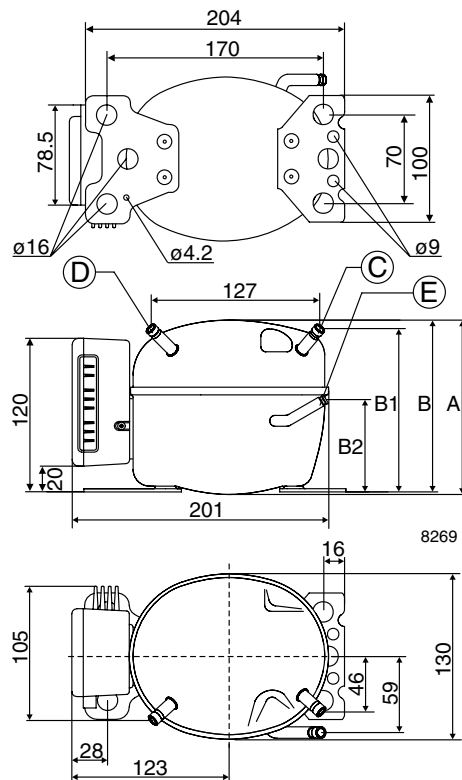
Motor type	Variable speed
Resistance, all 3 windings (25°C)	Ω 2.3
Approvals (electronic unit)	E4 72/245 95/54 0277 00

Dimensions

Height	mm	A	137
		B	135
		B1	128
		B2	73
Suction connector	location/l.D. mm	C	6.2 ±0.09
Process connector	location/l.D. mm	D	6.2 ±0.09
Discharge connector	location/l.D. mm	E	5.0 +0.12/+0.20
Compressors on a pallet	pcs.		150



- S = Static cooling normally sufficient
- O = Oil cooling
- F₁ = Fan cooling 1.5 m/s (compressor compartment temperature equal to ambient temperature)
- F₂ = Fan cooling 3.0 m/s necessary



Capacity (EN 12900/CECOMAF)

rpm \ °C	-30	-25	-23.3	-20	-15	-10	-5	0	5	10
2,000	15.8	23.9	26.9	33.1	43.8	56.6	71.7	89.9	111	136
2,500	20.2	29.9	33.5	41.2	54.6	70.7	89.7	112	139	
3,000	22.5	32.4	36.5	45.4	61.8	81.7	105	133		
3,500	26.2	35.9	40.4	50.5	69.8	93.6	122			

Capacity (ASHRAE)

rpm \ °C	-30	-25	-23.3	-20	-15	-10	-5	0	5	10
2,000	19.5	29.4	33.1	40.7	54.0	69.8	88.6	111	137	169
2,500	24.9	36.8	41.3	50.7	67.3	87.1	111	139	172	
3,000	27.7	39.9	44.9	55.9	76.1	101	130	164		
3,500	32.2	44.2	49.7	62.2	86.0	115	150			

Power consumption

rpm \ °C	-30	-25	-23.3	-20	-15	-10	-5	0	5	10
2,000	17.6	23.4	25.3	28.7	33.6	38.3	43.0	48.0	53.4	59.5
2,500	23.3	30.9	33.3	37.8	44.1	50.2	56.2	62.3	68.7	
3,000	29.9	36.0	38.3	43.0	50.7	58.7	66.8	74.8		
3,500	36.0	42.8	45.4	50.8	59.5	68.9	78.5			

Current consumption (for 24V applications the following must be halved)

rpm \ °C	-30	-25	-23.3	-20	-15	-10	-5	0	5	10
2,000	1.5	2.0	2.1	2.4	2.8	3.2	3.6	4.0	4.5	5.0
2,500	1.9	2.6	2.8	3.2	3.7	4.2	4.7	5.2	5.8	
3,000	2.5	3.0	3.2	3.6	4.2	4.9	5.6	6.2		
3,500	3.0	3.6	3.8	4.3	5.0	5.7	6.5			

COP (EN 12900/CECOMAF)

rpm \ °C	-30	-25	-23.3	-20	-15	-10	-5	0	5	10
2,000	0.90	1.02	1.06	1.15	1.31	1.48	1.67	1.87	2.08	2.29
2,500	0.87	0.97	1.01	1.09	1.24	1.41	1.60	1.80	2.02	
3,000	0.75	0.90	0.95	1.06	1.22	1.39	1.58	1.78		
3,500	0.73	0.84	0.89	1.00	1.17	1.36	1.55			

COP (ASHRAE)

rpm \ °C	-30	-25	-23.3	-20	-15	-10	-5	0	5	10
2,000	1.10	1.25	1.31	1.42	1.61	1.82	2.06	2.31	2.57	2.84
2,500	1.07	1.19	1.24	1.34	1.53	1.74	1.97	2.23	2.50	
3,000	0.93	1.11	1.17	1.30	1.50	1.72	1.95	2.20		
3,500	0.89	1.03	1.09	1.23	1.44	1.68	1.91			

Test conditions EN 12900/CECOMAF ASHRAE
 Condensing temperature 55°C 55°C
 Ambient and suction gas temp. 32°C 32°C
 Liquid temperature 55°C 32°C
 Static cooling, 12V DC
 1 Watt = 0.86 kcal/h

Compressor speed

Electronic unit	Resistor (R1) Ω	Motor speed rpm	Contr.circ. current mA
10 IN0400 with AEO	0	AEO	6
	173	2,000	5
	450	2,500	4
	865	3,000	3
	1696	3,500	2

In AEO (Adaptive Energy Optimizing) speed mode the BD compressor will always adapt its speed to the actual cooling demand.

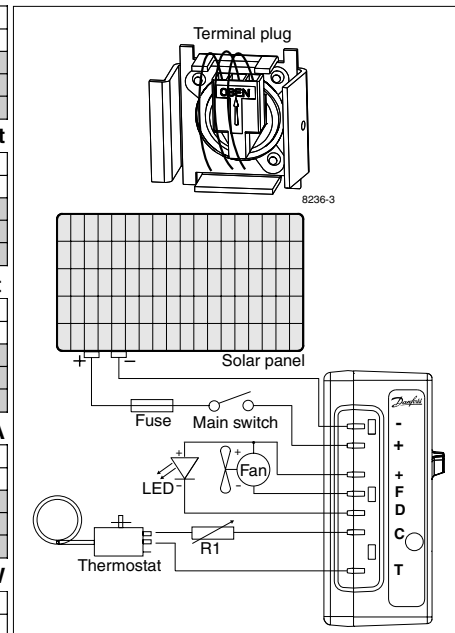
Accessories

Devices	BD35F
Standard automobile fuse DIN 7258 15A	Not deliverable from Danfoss
Mounting accessories	
Bolt joint for one compressor	118-1917
Bolt joint in quantities	118-1918
Snap on in quantities	118-1919

Wire dimensions

Gauge	Size Cross section mm ²	Max length* 12V operation		Max length* 24V operation	
		ft.	m	ft.	m
12	2.5	8	2.5	16	5
12	4	13	4	26	8
10	6	19.5	6	39	12
8	10	32.8	10	65.6	20

*Length between battery and electronic unit


Operational errors shown by LED (optional)

Number of flashes	Error type
5	Thermal cut-out of electronic unit (If the refrigeration system has been too heavily loaded, or if the ambient temperature is high, the electronic unit will run too hot).
4	Minimum motor speed error (If the refrigeration system is too heavily loaded, the motor cannot maintain minimum speed at approximately 1,850 rpm).
3	Motor start error (The rotor is blocked or the differential pressure in the refrigeration system is too high (>5 bar)).
2	Fan over-current cut-out (The fan loads the electronic unit with more than 1A _{peak}).

BD35K

Direct Current Compressor for Solar Applications

(for stationary use only)

R600a

10 - 45V

Data Sheet

Code numbers

BD35K without electronic unit	101Z0211
Electronic unit 10-45V DC	single: 101N0400, 30 pcs: 101N0401

Application

Application	LBP/MBP/(HBP)
Evaporating temperature range °C	-30 to 0 (10)
Voltage range / max. voltage	10 - 45V DC
Fan output	same as input voltage
Max. machine compartment temperature °C	55
Comp. cooling at ambient temp. 43°C	S or F ₁ *

* depending on application

Design

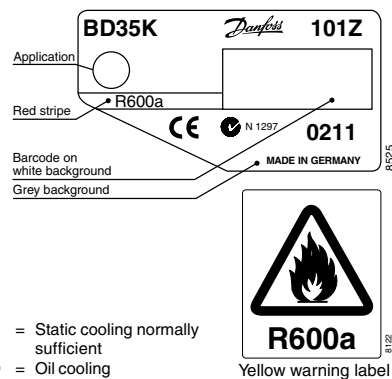
Displacement	cm ³	3.00
Oil quantity	cm ³	150
Maximum refrigerant charge	g	120
Free gas vol. in compressor	cm ³	870
Weight: Compressor/Electronic unit	kg	4.3/0.25

Motor

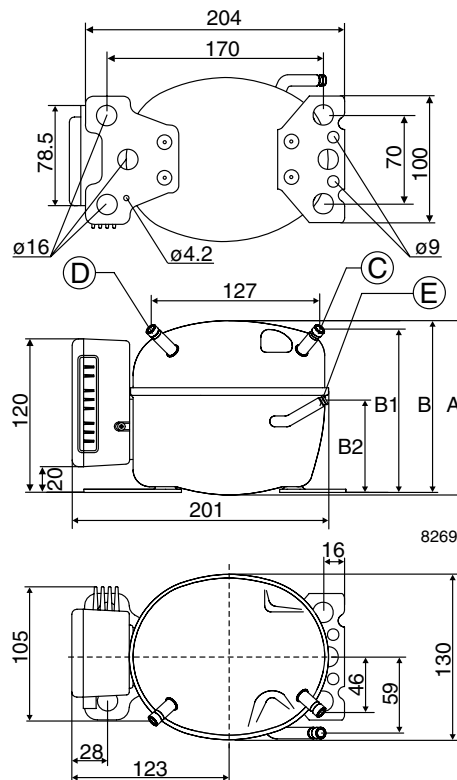
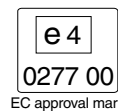
Motor type	Variable speed
Resistance, all 3 windings (25°C)	Ω 1.8
Approvals (electronic unit)	E4 72/245 95/54 0277 00

Dimensions

Height	mm	A	137
		B	135
		B1	128
		B2	73
Suction connector	location/l.D. mm	C	6.2 ±0.09
Process connector	location/l.D. mm	D	6.2 ±0.09
Discharge connector	location/l.D. mm	E	5.0 +0.12/+0.20
Compressors on a pallet	pcs.		150



- S = Static cooling normally sufficient
- O = Oil cooling
- F₁ = Fan cooling 1.5 m/s (compressor compartment temp. equal to ambient temp.)
- F₂ = Fan cooling 3.0 m/s necessary



Capacity (EN 12900/CECOMAF)
watt

rpm \ °C	-30	-25	-23.3	-20	-15	-10	-5	0	5	10
2,000	13.2	21.0	23.8	29.7	39.6	51.0	64.0	79.1	96.3	116
2,500	16.8	25.5	28.8	35.6	47.5	61.3	77.5	96.2	118	
3,000	20.7	30.5	34.3	42.3	56.3	72.9	92.4	115		
3,500	24.9	36.0	40.2	49.3	65.1	83.8	106			

Capacity (ASHRAE)
watt

rpm \ °C	-30	-25	-23.3	-20	-15	-10	-5	0	5	10
2,000	16.0	25.5	29.0	36.1	48.2	62.1	78.0	96.4	118	142
2,500	20.4	31.0	35.0	43.4	57.8	74.7	94.4	117	144	
3,000	25.2	37.1	41.7	51.4	68.5	88.7	113	140		
3,500	30.3	43.8	49.0	59.9	79.2	102	129			

Power consumption
watt

rpm \ °C	-30	-25	-23.3	-20	-15	-10	-5	0	5	10
2,000	18.5	22.5	23.9	26.4	30.3	34.2	38.0	41.8	45.7	49.6
2,500	23.8	28.5	30.0	32.9	37.2	41.5	45.8	50.2	54.9	
3,000	29.5	35.9	38.0	41.8	47.4	52.9	58.6	64.6		
3,500	35.1	42.7	45.2	49.7	56.4	63.0	69.7			

Current consumption (for 24V applications the following must be halved)
A

rpm \ °C	-30	-25	-23.3	-20	-15	-10	-5	0	5	10
2,000	1.54	1.88	1.99	2.20	2.53	2.85	3.17	3.48	3.81	4.13
2,500	1.98	2.37	2.50	2.75	3.10	3.46	3.82	4.19	4.58	
3,000	2.46	2.99	3.16	3.48	3.95	4.41	4.88	5.38		
3,500	2.93	3.56	3.76	4.15	4.70	5.25	5.81			

COP (EN 12900/CECOMAF)
W/W

rpm \ °C	-30	-25	-23.3	-20	-15	-10	-5	0	5	10
2,000	0.71	0.93	1.00	1.12	1.31	1.49	1.69	1.89	2.11	2.34
2,500	0.71	0.90	0.96	1.08	1.28	1.48	1.69	1.92	2.15	
3,000	0.70	0.85	0.90	1.01	1.19	1.38	1.58	1.78		
3,500	0.71	0.84	0.89	0.99	1.15	1.33	1.52			

COP (ASHRAE)
W/W

rpm \ °C	-30	-25	-23.3	-20	-15	-10	-5	0	5	10
2,000	0.87	1.13	1.21	1.37	1.59	1.82	2.05	2.31	2.57	2.86
2,500	0.86	1.09	1.17	1.32	1.55	1.80	2.06	2.34	2.62	
3,000	0.85	1.03	1.10	1.23	1.44	1.68	1.92	2.17		
3,500	0.86	1.03	1.08	1.21	1.40	1.62	1.85			

Test conditions EN 12900/CECOMAF ASHRAE
 Condensing temperature 55°C 55°C
 Ambient and suction gas temp. 32°C 32°C
 Liquid temperature 55°C 32°C
 Static cooling, 12V DC
 1 Watt = 0.86 kcal/h
 preliminary data

Compressor speed

Electronic unit	Resistor (R1) Ω	Motor speed rpm	Contr.circ. current mA
10 IN0400 with AEO	0	AEO	6
	173	2,000	5
	450	2,500	4
	865	3,000	3
	1696	3,500	2

In AEO (Adaptive Energy Optimizing) speed mode the BD compressor will always adapt its speed to the actual cooling demand.

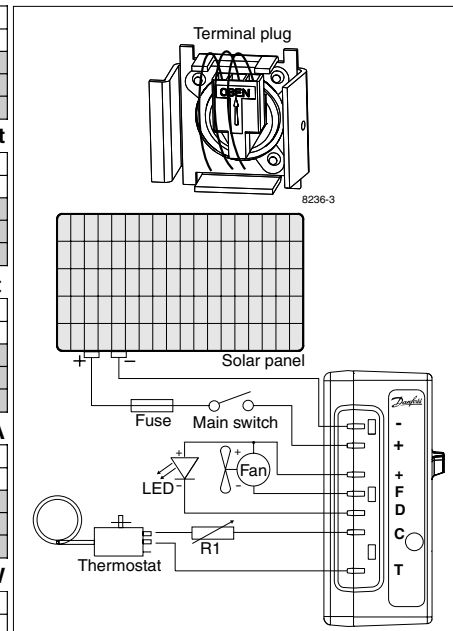
Accessories

Devices	BD35K
Standard automobile fuse DIN 7258 15A	Not deliverable from Danfoss
Mounting accessories	
Bolt joint for one compressor	118-1917
Bolt joint in quantities	118-1918
Snap on in quantities	118-1919

Wire dimensions

Gauge	Size Cross section mm ²	Max length* 12V operation		Max length* 24V operation	
		ft.	m	ft.	m
12	2.5	8	2.5	16	5
12	4	13	4	26	8
10	6	19.5	6	39	12
8	10	32.8	10	65.6	20

*Length between battery and electronic unit


Operational errors shown by LED (optional)

Number of flashes	Error type
5	Thermal cut-out of electronic unit (If the refrigeration system has been too heavily loaded, or if the ambient temperature is high, the electronic unit will run too hot).
4	Minimum motor speed error (If the refrigeration system is too heavily loaded, the motor cannot maintain minimum speed at approximately 1,850 rpm).
3	Motor start error (The rotor is blocked or the differential pressure in the refrigeration system is too high (>5 bar)).
2	Fan over-current cut-out (The fan loads the electronic unit with more than 1A _{peak}).

Data stamping

The data stamping is placed on the top of the compressor, e.g.

Z02007 (6 characters)

114A01F (7 characters)

Composition of line 1

Z0200: Compressor type information (101Z0200 = Z0200)

7: internal Danfoss code

Composition of line 2

11: Production week

4: Production year

A: Production day

A = Monday, B = Tuesday, C = Wednesday, etc.

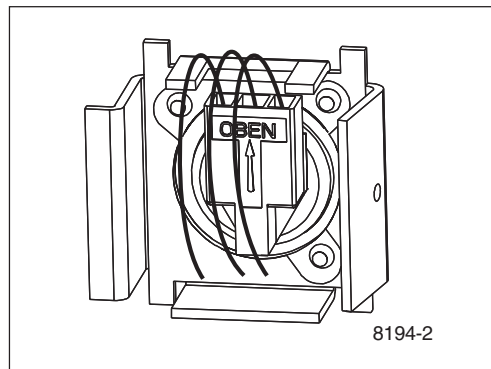
01: Production hour 00 to 23 or shift code -1, -2, -3

F: Danfoss Compressors internal production location code

A to G: Germany / K to N: Slovenia / R, S: Mexico

For the electronic unit, the code for date of manufacture is located on the printed circuit board, visible through the opening on the backside of the housing, where the cables get out.

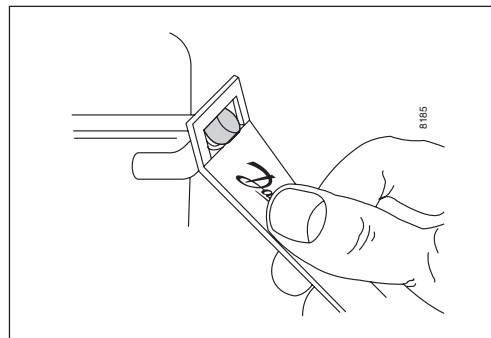
Mounting the electronic unit



The cable plug of the electronic unit is mounted on the pins of the current lead-in on the compressor. Then the electronic unit itself is mounted on the bracket of the compressor. At first the left side is mounted, then the right side is pressed over the screw on the bracket. The electronic unit snaps on to the bracket and is now securely mounted on the compressor.

In case the electronic unit must be removed from the compressor, the screw has to be loosened.

Connectors

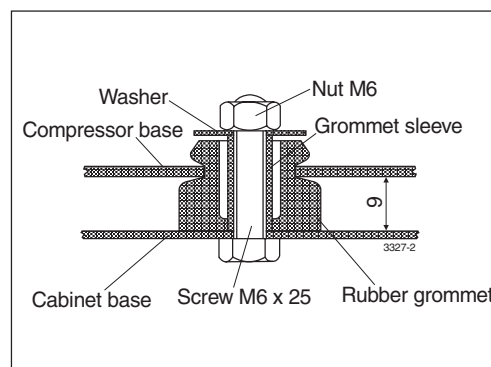


The compressor is equipped with DANCON connectors which consist of a thick-walled, copper-plated steel tube with high corrosion resistance, and a solderability equal to that of conventional copper connectors.

DANCON connectors are equipped with an aluminium cap (Capsolut) which gives a tight sealing.

The seal cap is easily removed with an ordinary pair of pliers or with a special tool.

Mounting accessories



Mounting accessories for BD compressors are supplied as a screw and nut assembly 118-1917. Each assembly 118-1917 is supplied in a bag containing four screws, nuts, washers, grommet sleeves and rubber grommets for mounting one compressor. The screw and nut assembly can be obtained in quantities under code no 118-1918.

Filter drier selection

Only filter driers which are declared by the manufacturer to be suitable for mobile applications must be used in refrigeration systems with BD35F, BD50F and BD80F compressors. Filter material powder ending up in the compressor will lead to excessive wear of the piston and transmission parts, and metal particles deposited in the motor windings will cause the compressor to stop because the electric signal back to the electronic unit is disturbed.



BD50F / Electronic Unit 101N0210



BD50F / Electronic Unit 101N0300



BD50F / Electronic Unit 101N0220



BD35F Solar / Electronic Unit 101N0400



BD35K Solar / Electronic Unit 101N0400



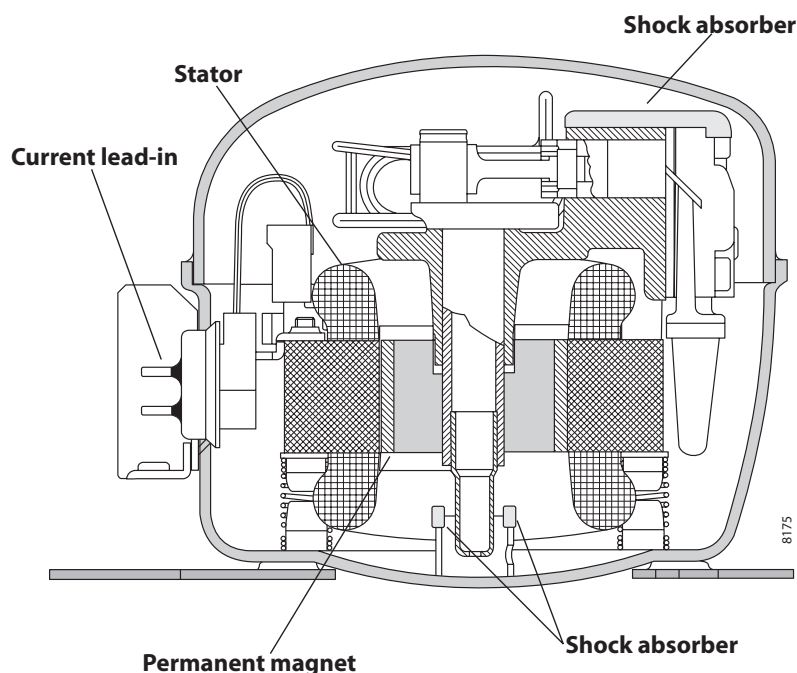
BD80F / Electronic Unit 101N0280

Compressors	Code no	Description
• BD35F mm Standard	101Z0200	Standard compressor, mm tube connectors, UL recognized
• BD35F mm Solar	101Z0210	Standard compressor, mm tube connectors
• BD35F inch	101Z0204	Same as 101Z0200, inch tube connectors, UL recognized
• BD35K (R600a)	101Z0211	For stationary use only, mainly solar applications, mm tube connectors
• BD50F mm	101Z1220	Standard compressor, mm tube connectors, UL recognized
• BD50F inch	101Z0203	Same as 101Z1220, inch tube connectors, UL recognized
• BD80F mm	101Z0280	Standard compressor, mm tube connectors

Electronic Single Pack	Code no	Description
• Electronic standard	101N0210	for BD35F/BD50F, speed setting, battery protection
• Electronic EMI	101N0220	for BD35F/BD50F, radiation extra shielded, speed setting, battery protection
• Electronic extended EMI	101N0900	for BD35F/BD50F, radiation extra shielded, conduction extra shielded, speed setting, battery protection
• Electronic AEO	101N0300	for BD35F/BD50F, Adaptive Energy Optimization, speed setting, battery protection
• Electronic solar	101N0400	for BD35F/BD35K, optimized for direct solar panel operation, speed setting
• Electronic BD50F high start	101N0230	for BD50F only, extra high start performance, speed setting, battery protection
• Electronic BD80F	101N0280	for BD80F only, Adaptive Energy Optimization, speed setting, battery protection

Electronic I-pack	Code no	Description
• Electronic standard	101N0211	for BD35F/BD50F, speed setting, battery protection, 30 pcs.
• Electronic EMI	101N0221	for BD35F/BD50F, radiation extra shielded, speed setting, battery protection, 30 pcs.
• Electronic AEO	101N0301	for BD35F/BD50F, Adaptive Energy Optimization, speed setting, battery protection, 30 pcs.
• Electronic solar	101N0401	for BD35F/BD35K, optimized for direct solar panel operation, speed setting, 30 pcs.
• Electronic BD50F high start	101N0231	for BD50F only, extra high start performance, speed setting, battery protection, 30 pcs.
• Electronic BD80F	101N0281	for BD80F only, Adaptive Energy Optimization, speed setting, battery protection, 28 pcs.

Compressor sectional view





The Danfoss product range for the refrigeration and air conditioning industry

Compressors for refrigeration and air conditioning

These products include hermetic reciprocating compressors, scroll compressors and fan-cooled condensing units. Typical applications are air conditioning units, water chillers and commercial refrigeration systems.

Compressors and Condensing Units

This part of the range includes hermetic compressors and fan-cooled condensing units for household refrigerators and freezers, and for commercial units such as bottle coolers and drinks dispensers. We also offer compressors for heat pumps, and 12 and 24V compressors for refrigerators and freezers in commercial vehicles and boats.

Appliance controls

For the regulation of refrigeration appliances and freezers Danfoss supplies a product range of electromechanical thermostats produced according to customer specifications; electronic temperature controls comprising models with and without displays; service thermostats – for servicing on all refrigerating and freezing appliances.

Refrigeration and air conditioning controls

Our full product range covers all control, safety, system protection and monitoring requirements in mechanically and electronically controlled refrigeration and air conditioning systems. The products are used in countless applications within the commercial and industrial refrigeration and air conditioning sectors.

Danfoss Compressors GmbH

Mads Clausen Str. 7
D-24939 Flensburg / Germany
www.danfoss.com/compressors