



INTERMITTENT WIPER MOTOR CONTROLLER

INSTALLATION & USAGE INSTRUCTIONS

(MODEL #'S: 76080, 76081, 76090, 76091)



The intermittent wiper motor controller allows synchronization, delay, speed control, and washer functionality for one and two-motor wiper systems.

Easy installation using 1/4" female disconnects. This intuitive wiper controller brings automotive functionality into a marine application.

Package Includes:

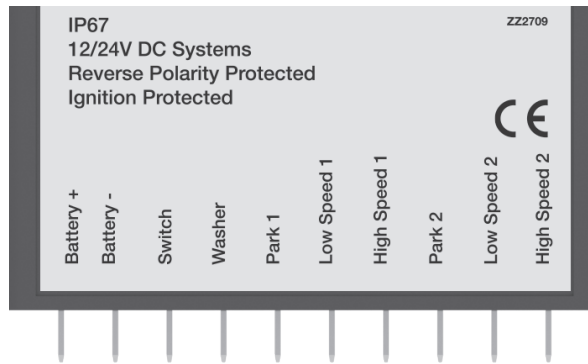
- Intermittent Wiper Control Unit
- Contura Switch – Retail Only
Single Pole Double Throw (SPDT)
(On) – Off – (On)
- Installation and Usage Instructions

Tools & Supplies for Installation:

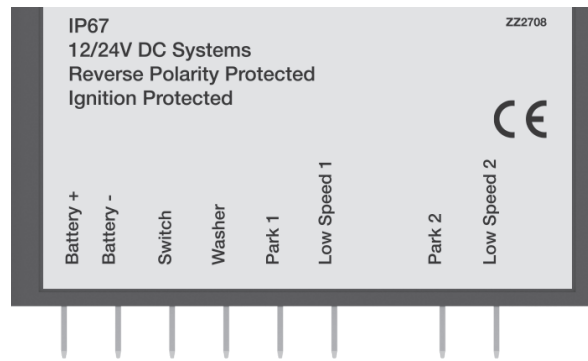
- Wire Stripper (Ancor #702030 recommended)
- 8 or 10-1/4" Ancor Female Disconnects
- Ancor Marine Grade™ Wire
- Mounting Screws
- Electric Drill (for creating mounting holes)

Electrical Connections

Dual Speed Models (76080, 76180)



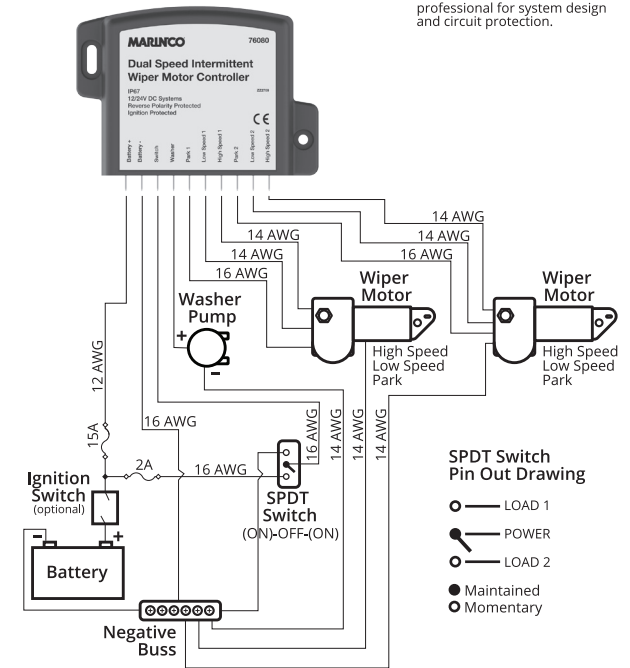
Single Speed Models (76090, 76190)



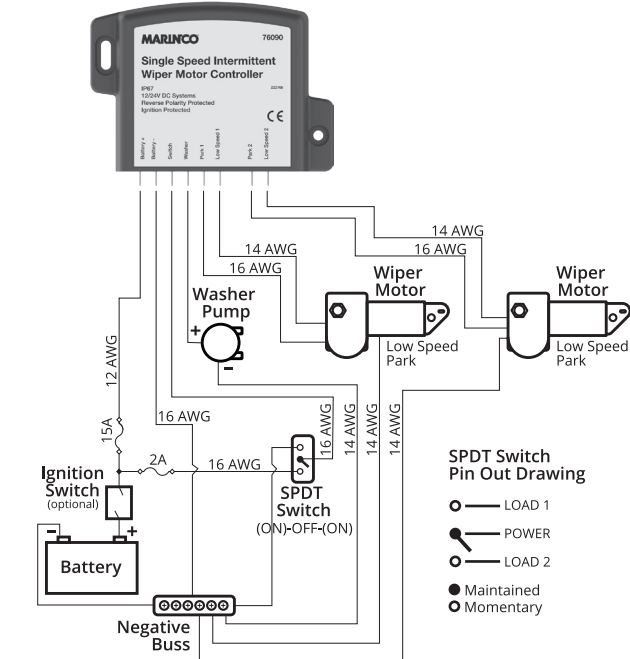
Wiring Diagrams

Dual Speed

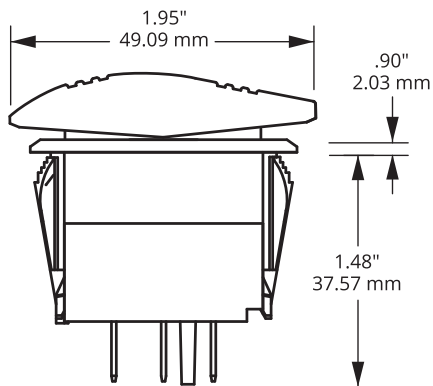
NOTE: The diagrams are intended for reference only. Consult an ABYC certified marine electrical professional for system design and circuit protection.



Single Speed

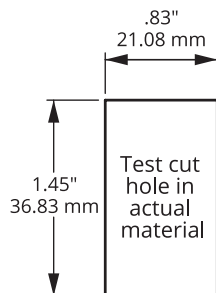


Switch Dimensions



Mounting Hole:

Snap-fit, 1.45" x .83"
(36.83 x 21.08 mm),
.093"-.187" panel thickness



Interface

The control switch must be wired so that a "down" press to the SPDT switch applies battery negative to the "Switch" pin on the motor controller. An "up" press should apply battery positive to the "Switch" pin.

Use single "down" and/or "up" presses to select between the following wiper speed/delay settings.

- 0) Park
- 1) Intermittent 5 Second Delay
- 2) Intermittent 2.5 Second Delay
- 3) Intermittent 1 Second Delay
- 4) Continuous slow
- 5) Continuous fast (Dual Speed Controller Only)

Note: In the case of a dual speed controller, a single "up" press past continuous fast mode will have no effect.

In the case of a one speed controller, a single "up" press past continuous slow will have no effect.

While in Park, a single "down" press will result in a single slow wiper cycle.

To activate the washer pump, hold the control switch in the "up" position. The pump will remain active until the switch is release back to the neutral position.

Regardless of the setting, holding the switch in the "down" position will park the motors and deactivate the washer pump.

If in the Park setting or any of the settings, the wiper motor controller will run 3 continuous low speed cycles in order to wipe the windshield of washer fluid. Once the 3 cycles are completed, the controller will revert to the original setting.

If in Continuous Slow or Fast settings, the motor function will remain unchanged during and after the washer pump use.

Technical Specifications

Voltage Supply	7-32 volts
Internal Fuse	Digital overcurrent protected at 6A
Protection	IP67, Polarity Inversion
Motor— Output Current	Single or Dual Speed— 6 Amps max per motor
Functions	3 Intermittent settings, 2 Continuous— slow and fast (dual speed only), wash/wipe
Connections	8 or 10-1/4" Spade Connectors

