



Installation Instructions for Surface Mount Table Hardware

Form 12.552

Installation Instructions:

Hardware Required:

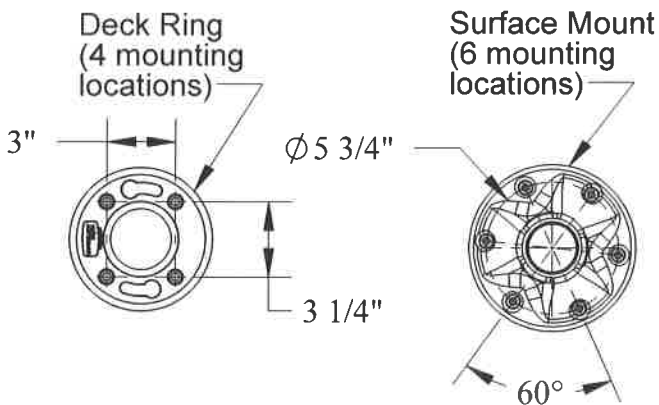
Mounting hardware has not been provided. It is recommended that 1/4" to 5/16" stainless steel screws of sufficient length be used. When mounting items to a deck, bolting through the deck is recommended.

Deck Ring:

1. Determine the desired location of the deck ring. Using the deck ring as a template, mark the position of the fasteners.
CAUTION: Insure area under the deck, directly below the marked holes is free from obstacles such as fuel tanks, hoses, electrical wires, etc.
2. Using the marks from step 1, drill holes and secure the deck ring with appropriate fasteners.
3. Make sure socket area is clean and ready for use.

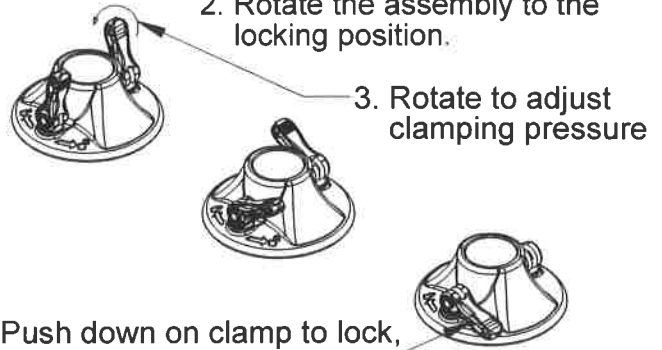
Surface Mount:

4. Determine the desired location of the surface mount on the table bottom surface. Using the surface mount as a template, mark the position of the fasteners.
5. Using the marks from step 4, drill pilot holes and secure the surface mount with appropriate fasteners.
CAUTION: Insure when drilling and fastening hardware that items do not penetrate the top surface of the table.
6. Make sure socket area is clean and ready for use.



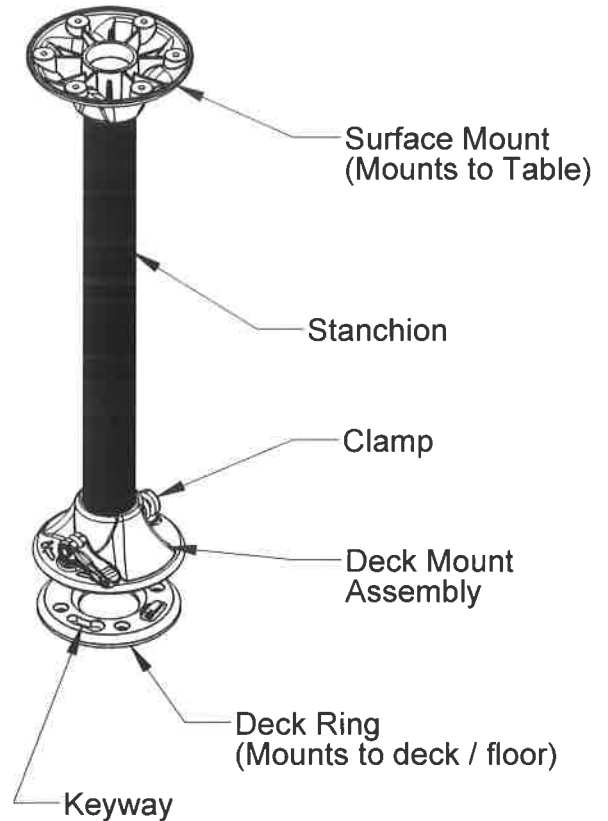
Operating Instructions:

1. Insert the deck mount assembly into the deck ring keyways.
2. Rotate the assembly to the locking position.
3. Rotate to adjust clamping pressure



4. Push down on clamp to lock, lift up on clamp to open.

TYPICAL SURFACE MOUNT TABLE HARDWARE INSTALLATION DEPICTION



Write for
a Complete
EEj-In Catalog

GARELICK
644 2nd Street, PO Box 8
St. Paul Park, Minnesota 55071

Phone: 651-459-9795
E-mail: mail@garelick.com
Website: www.garelick.com

07/05