

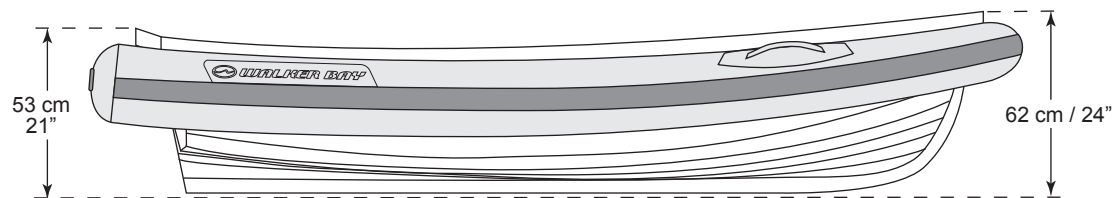
# 275 RID & RIDH WB8 Breeze\*

\*Dimensions only. Capacity ratings do not apply to WB8 Breeze.

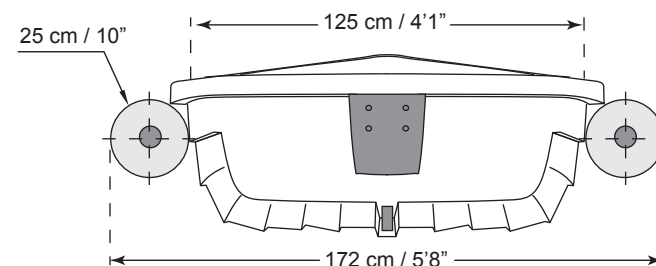
## SPECIFICATIONS, MAXIMUM CAPACITIES & LIFTING POINTS



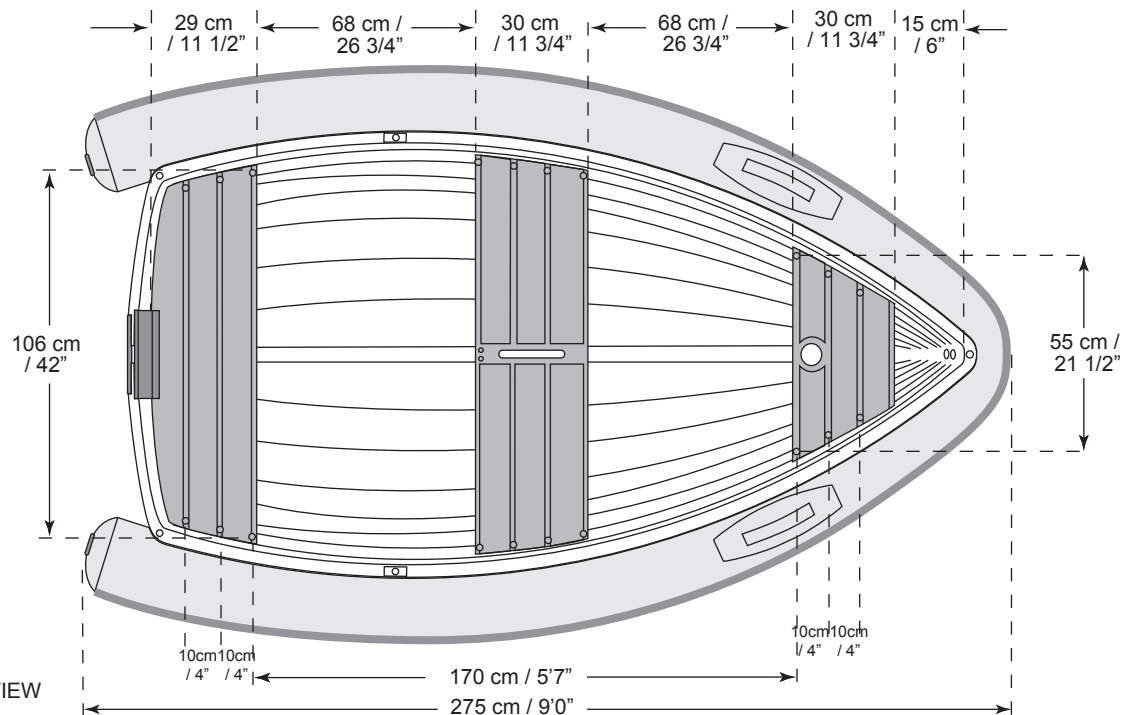
**WALKER BAY**



SIDE VIEW

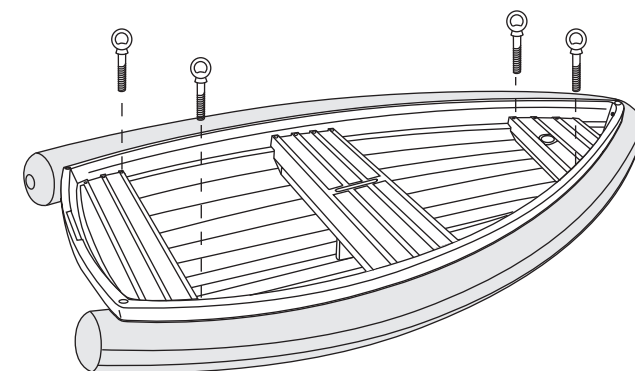


REAR VIEW



TOP VIEW

### LIFTING POINTS



- Lifting eyes can be added quickly and easily to your Walker Bay 8 with 275 RID tube.
- Simply replace 4 of the 1/4" #20 bolts securing the front and rear seats with 1-1/2" x 1/4" #20 stainless steel eye bolts (Eye bolts not included with boat).
- Make sure eye bolts are securely fastened.
- Check lifting eyes periodically to make sure they are securely fastened.

\*Capacity rating formulas are different for Europe and the United States; therefore, Maximum Load, Maximum Persons Weight and Maximum HP are different.

\*\*The displacement of the WB8 is increased with the addition of the 275RID tube; however, the WB8 w. RID275 USCG Max Capacity is lower than the WB8 Max Capacity because Max Engine Power (HP) is increased from 2HP to 4HP. According to USCG & ABYC capacity rating formulae, boats rated for less than 3HP may use 25% of their displacement for max load capacity whereas boats rated for 3HP or more may only use 20% of their displacement for max load capacity.

\*\*\*Maximum speeds are estimates. Actual top speed will vary depending on type, make and model of motor and load in boat. The Walker Bay 8 and 10 hulls are displacement hulls, not planing hulls.

### SPECIFICATIONS

### MAXIMUM CAPACITIES

Tolerances +/- 3%

DESIGN CATEGORY (CE):		USA / USCG*		EUROPE / CE / ISO*	
WEIGHT:	D 40 kg / 89 lb	MAX LOAD**:	411 lb	MAX LOAD:	278 kg
OVERALL LENGTH (LOA):	275 cm / 9'0"	MAX PERSONS:	3	MAX PERSONS:	3
BEAM:	172 cm / 5'8"	MAX PERSONS WEIGHT**:	316 lb	MAX PERSONS WEIGHT:	225 kg
INSIDE BEAM:	125 cm / 4'1"	MAX ENGINE POWER:	4 hp	FULLY LOADED CAFT WEIGHT:	265 kg
DEPTH:	53 cm / 1'9"	MAX SPEED*** (KNOTS/MPH)	6-8kt / 7-9mph	MAX ENGINE POWER:	3 kw
MOTOR SHAFT LENGTH:	Short (15")	MAX SAIL AREA:	50 ft2	MAX SPEED*** (KNOTS/KPH)	6-8kt / 11-15kph
DISPLACEMENT:	898 kg / 1975 lb			MAX SAIL AREA:	5 m2