

MARINE PRODUCT DATA SHEET

OEM: 4902-4212 (High Flow System 4.0)
AFTERMARKET: 4902-4212 (High Flow System 4.0)

APPLICATION

Multi-fixture marine fresh water installations. Other uses may include 12V DC pressurized water systems in cabins. This system may be used for general fresh water transfer.



PUMP:

Type: 4 Chamber Diaphragm
 Ports: 1/2"-14 NPSM-Male.
 Liquid: 130 °F [54 °C] Max
 Dry-Prime: 6 feet [1.82 M]
 Inlet PSI: 30 PSI [2.1 Bar] Max
 Run Dry: Yes

ELECTRICAL:

Motor: 12VDC Permanent Magnet, Intermittent Duty
 Protection: Thermal Overload, Automatic Restart
 Leads: 14 AWG, 16" [40 cm] Red +, 13" [33 cm] Black -
 Fuse: 15 Amp Recommended
 Control: Adjustable Switch. Shut-Off at 45 PSI [3.1 Bar] ± 5 PSI [0.4 Bar]. Restart at 25 PSI [1.8 Bar] ± 5 PSI [0.4Bar]

MATERIALS:

Housing: Nylon
 Valves: EPDM
 Diaphragm: Santoprene
 Hardware: Stainless Steel
 Tank: Stainless Steel

APPROVALS:

Ignition Protection 8846, CE, Tank: NSF-18

WARRANTY:

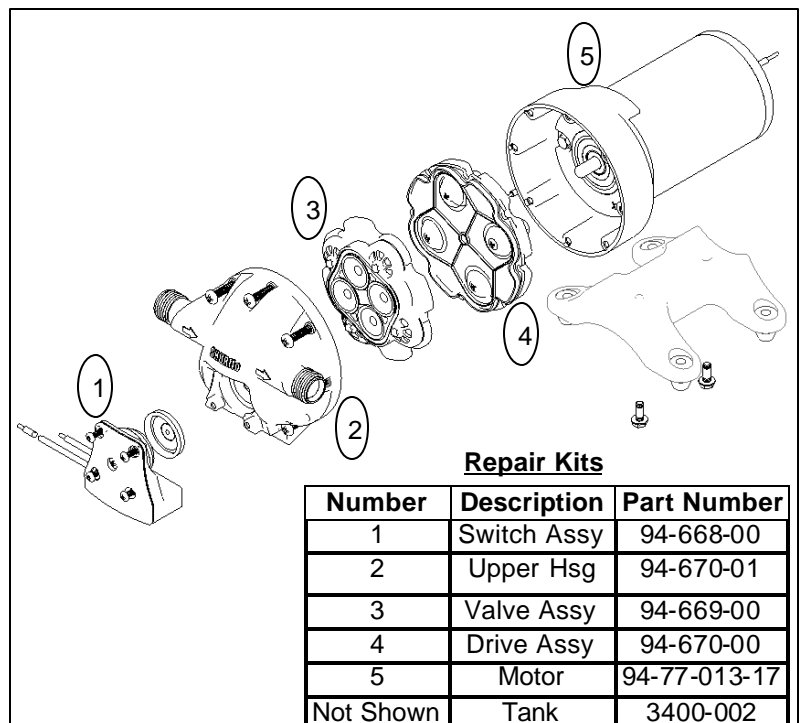
3 Year Limited Warranty.
 Contact SHURflo for details

SHIPPING:

Net Weight (boxed): 18 Lbs [8.16 Kg] each
 Carton Quantity: 1
 Approx. Carton Size: 18"L x 15"W x 16"H
 [45.7cm x 38.1cm x 40.6cm]

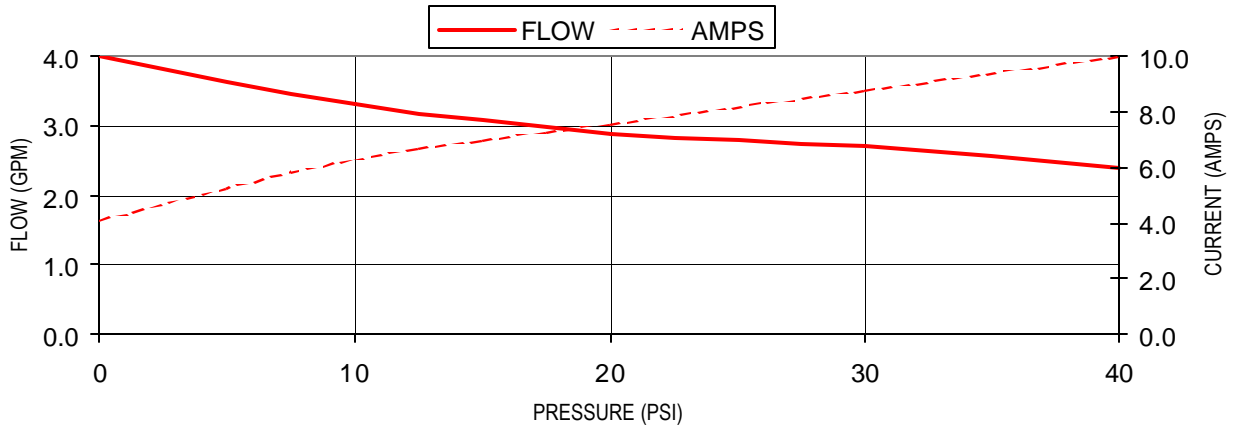
RELATED DOCUMENTS:

Catalog: MS-030-140
 Installation Manual: 911-759
 Applications Spec Guide: MS-020-005

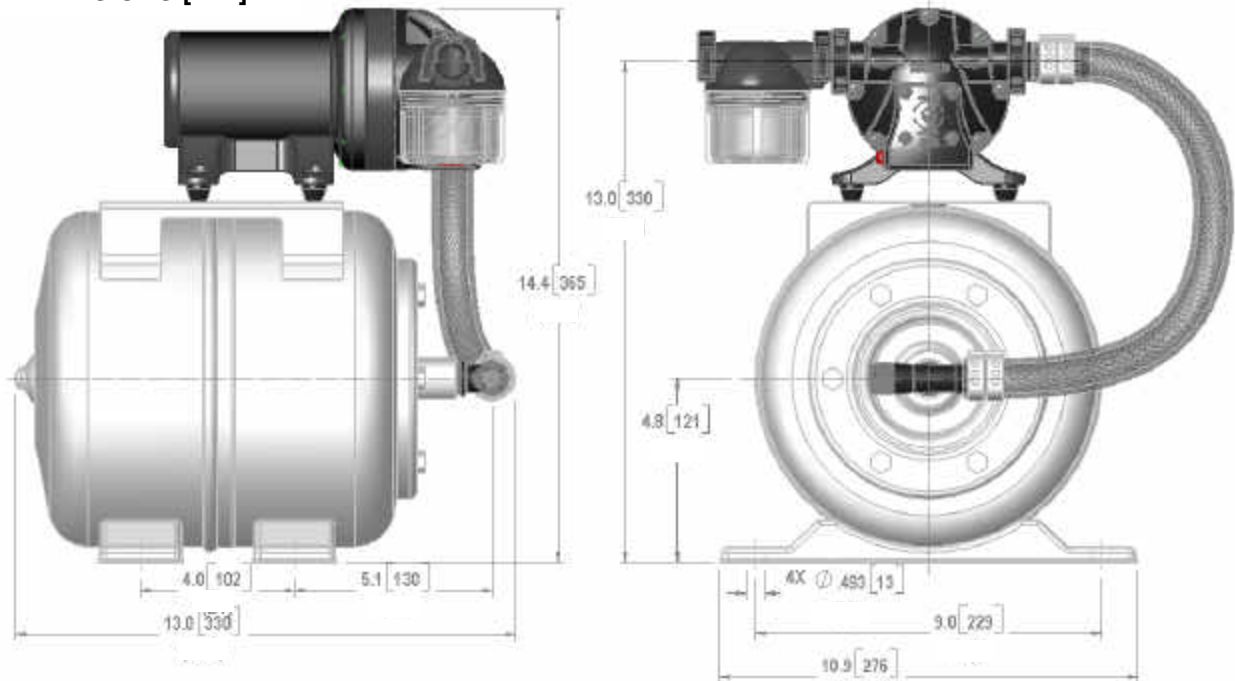


TYPICAL PUMP PERFORMANCE

| PRESSURE | | FLOW | | CURRENT |
|----------|-----|------|------|---------|
| BAR | PSI | GPM | LPM | AMPS |
| 0.0 | 0 | 4.0 | 15.1 | 4.1 |
| 0.7 | 10 | 3.3 | 12.5 | 6.3 |
| 1.4 | 20 | 2.9 | 10.9 | 7.6 |
| 2.1 | 30 | 2.7 | 10.2 | 8.8 |
| 2.8 | 40 | 2.4 | 9.0 | 10.0 |



DIMENSIONS [mm]



Visit our Web Site at <http://www.shurflo.com>
 Shurflo reserves the right to update specifications,
 change prices, or make substitutions without notice.

SHURflo
 5900 Katella Avenue
 Cypress, CA 90630
 Phone (562) 795-5200
 Toll Free (800) 854-3218
 Fax (562) 795-7564

SHURflo East
 52748 Park Six Court
 Elkhart, IN 46514-5427
 Phone (562) 795-5200
 Toll Free (800) 854-3218
 Fax (574) 264-2169

SHURflo Europe, Middle East, Africa
Pentair Water Belgium bvba
 Industriepark Wolfstee, Toekomstlaan 30
 B-2200 Herentals, Belgium
 Phone +32-14-283500
 Fax +32-14-283505



Pentair Water

FLOW TECHNOLOGIES GROUP
 5900 Katella Ave, Cypress, CA 90630
 Phone (800) 854-3218 • (562) 795-6200 • Fax (562) 795-7564
www.shurflo.com