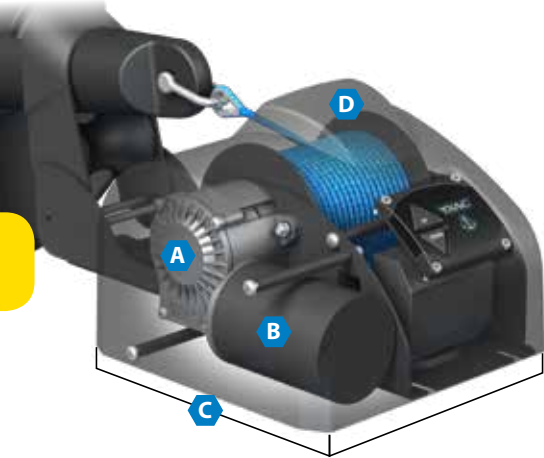


# Lakeside Electric Anchor Winches

TRAC Electric Anchor Winches offer simple, smooth operation and provide excellent holding power. Winches feature high-efficiency 12-volt DC all-steel gear motors that use less battery power than other makes.



## Improved third generation (G3) designs:

- A** New die-cast aluminum gearbox
- B** New 68 mm heavy-duty DC motor
- C** New smaller footprint: Uses less than 1 square foot of deck space
- D** New sleek exterior case designs and as small as 9" x 9"

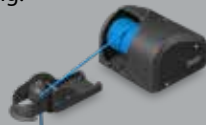
### Anchor Zone 20<sup>®</sup>

- ▶ Maximum rode weight 20 lb.
  - ▶ Power up/down with anti-reverse internal clutch to prevent free-spooling. 60 fpm no-load rope retrieval speed.
  - ▶ Separated davit
- 69000 T10098**



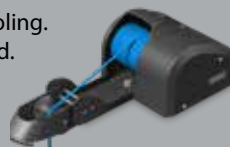
### Fisherman 25<sup>®</sup>

- ▶ Maximum rode weight 25 lb.
  - ▶ Power up/down with anti-reverse internal clutch to prevent free-spooling. 60 fpm no-load rope retrieval speed.
  - ▶ Separated davit
- 69002 T10108-G3**



### Pontoon 35<sup>®</sup>

- ▶ Maximum rode weight 35 lb.
  - ▶ Power up/down with anti-reverse internal clutch to prevent free-spooling. 60 fpm no-load rope retrieval speed.
  - ▶ Integrated Davit
- 69003 T10109-G3**





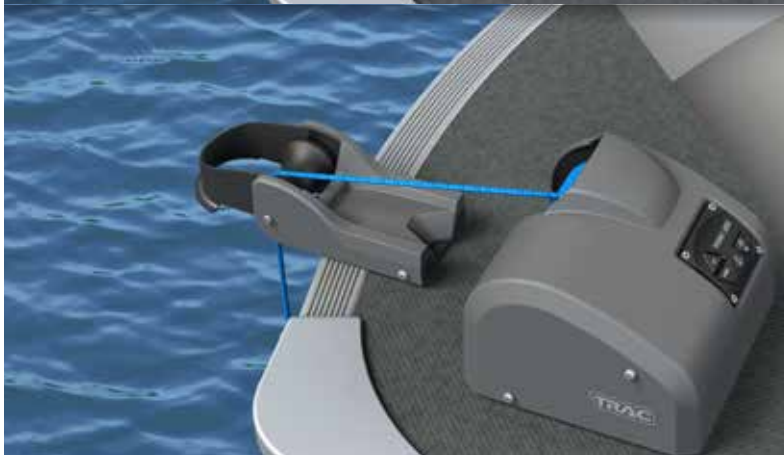
**All Lakeside Anchor Winch Models Include:**

- ▶ 100' of 0.20" pre-wound double braid anchor rope
- ▶ Separate or integrated anchor roller
- ▶ Circuit breaker
- ▶ Sealed membrane UP/DOWN switch
- ▶ 16' of 14-gage marine-grade battery wire
- ▶ Anchor safety chain
- ▶ Assembly hardware and instructions
- ▶ 1 year warranty



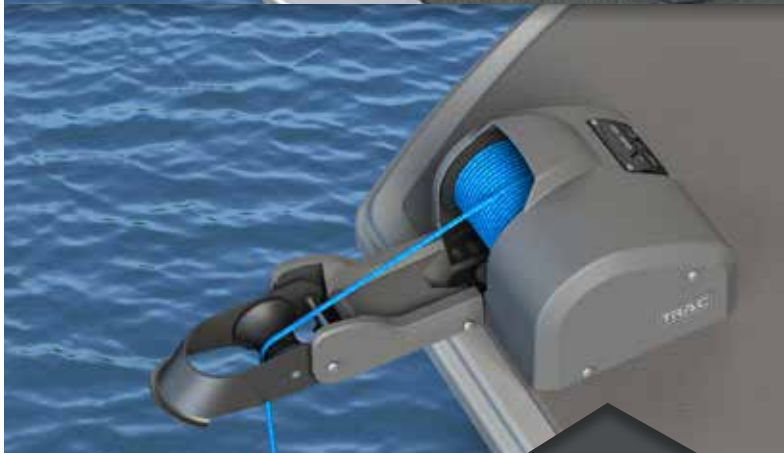
**Strike Zone 25™  
AutoDeploy**

- ▶ 3 button operation – UP / DOWN / AUTO DEPLOY
  - ▶ 25 lb maximum rode weight
  - ▶ Wireless remote control included
  - ▶ Separated davit
- 69001 T10100**



**Angler 30™  
AutoDeploy**

- ▶ 3 button operation – UP / DOWN / AUTO DEPLOY
  - ▶ Attached or separated davit
  - ▶ 30 lb maximum rode weight
  - ▶ Wireless remote control included
  - ▶ Separated davit
- 69004 T10208-G3**



**Deckboat 40™  
AutoDeploy**

- ▶ 3 button operation – UP / DOWN / AUTO DEPLOY
  - ▶ Integrated davit
  - ▶ 40 lb maximum rode weight
  - ▶ Wireless remote control included
- 69005 T10219-G3**



**Auto  
Deploy**

*Deploy the anchor with a single touch*

Push-button AutoDeploy automatically lowers the anchor, releasing rope until the anchor touches bottom. When slack in the rope becomes tight, rope is automatically released in short lengths or can be locked with the touch of any switch or remote button. Automatically releases the rope needed to hold the boat in position. When the anchor stops letting rope out, press the "lock" or any other switch button. Great for fishing to allow a "controlled" drift.



# Electric Anchor Winch Selection Guide



\*All models include line.

	Anchor Zone 20	Fisherman 25*	Angler 30™ AutoDeploy	Pontoon 35*	Deckboat 40™ AutoDeploy	Seaside 40AD™ AutoDeploy
Camco # TRAC #	69000 T10098	69002 T10108-G3	69004 T10208-G3	69003 T10109-G3	69005 T10219-G3	69020 T10220-G3
Suggested Boat	Up to 16'	Up to 20'	Up to 20'	Up to 24'	Up to 24'	Up to 24'
Rope Capacity	4 mm x 100 ft	5 mm x 100 ft 6 mm x 100 ft	5 mm x 100 ft 6 mm x 90 ft	5 mm x 100 ft 6 mm x 90 ft	5 mm x 100 ft 6 mm x 90 ft	5 mm x 100 ft 6 mm x 90 ft
Anchor Deployment	Power Down	Power Down	Auto Deploy	Power Down	Auto Deploy	Auto Deploy
Max Rode Weight	20 lb (9 kg)	25 lb (11 kg)	30 lb (14 kg)	35 lb (16 kg)	40 lb (18 kg)	40 lb (18 kg)
Rope Speed UP	60 FPM	70 FPM	70 FPM	70 FPM	70 FPM	70 FPM
Switch Functions	Power UP/ DOWN	Power UP/ DOWN	Power UP/ DOWN + AutoDeploy	Power UP/ DOWN	Power UP/ DOWN + AutoDeploy	Power UP/DOWN + AutoDeploy
Switch Type / Location	On winch	On winch	On winch + Wireless Remote for Helm	On winch	On winch + Wireless Remote for Helm	On winch + Wireless Remote for Helm
Amp Draw @ 12V	6-8 amps	8-10 amps	8-10 amps	10-12 amps	10-12 amps	10-12 amps
Anchor Davit/Roller	Included	Included	Included	Integrated	Integrated	Not Included
Gear Materials	Bronze w/Steel Core	Bronze w/Steel Core	Bronze w/Steel Core	Bronze w/Steel Core	Bronze w/Steel Core	Bronze w/Steel Core
Winch Dimensions (L x W x H)	8" x 7 1/2" x 5"	9" x 9" x 6"	9" x 9" x 6"	18" x 9" x 6"	18" x 9" x 6"	18" x 9" x 6"
Deck Space Used (L x W)	11 x 7 1/2"	16" x 9"	16" x 9"	18" x 9"	18" x 9"	18" x 9"



**A. Anchor Rope & Rode** TRAC rope and chain combinations are made of premium windlass grade double braid nylon rope for superior flexibility and reduced twisting and 316 stainless steel thimble spliced core (inner braid) to cover (outer braid) which assures the load is shared equally. To assure there will be no slippage, nylon whipping finishes the professional eye-splice. Full nylon double braid anchor rope delivers superior elasticity to resist shock and sustain anchor hold. Greater abrasion resistance compared to other rope fibers. Designed for use with TRAC brand and other drum winches. Eye thimble can be removed for compatibility with capstan style windlasses.

**A1. Anchor Rope**

**69080** Anchor Rope, 3/16" (5 mm) x 100' Outlet, 800 lb (363 kg) Tensile Strength

**A2. Anchor Rode**

**69082** Anchor Rode, 1/4" (6 mm) x 200' Outlet, 15' Chain, 1900 lb (862 kg) Tensile Strength

**69083** Anchor Rode, 9/32" (7 mm) x 200' Outlet, 20' Chain, 2400 lb (1089 kg) Tensile Strength

**69084** Anchor Rode, 5/16" (8 mm) x 300' Outlet, 20' Chain, 2900 lb (1315 kg) Tensile Strength

**B. Trailer Winch Synthetic SuperRope**

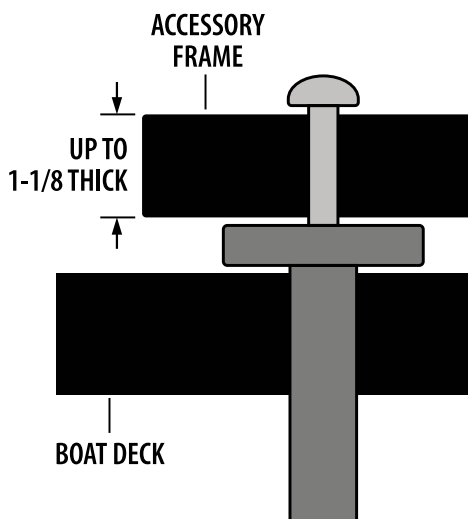
Designed for use with the TRAC 2500 or 3500 Trailer Winches. Made of ultra-high-molecular-weight polyethylene (UHMWPE). 20' (6 m) long. 1/4" (6 mm) diameter. 5,700 lb (2,585 kg) working load. 7,700 lb (3,593 kg) break strength.

**69121** Trailer Winch Synthetic SuperRope, 20', 6 mm

**C. Isolator Bolts** Install your anchor winch, trolling motor and other accessories from the top of your boat deck! Great when you can't reach under the deck! Protects your boat from vibrations. Easily installed in a 1/2" hole with Phillips head screwdriver. Bolts are marine-grade 316 stainless steel for the ultimate in corrosion protection in fresh or saltwater.

**69060** Isolator Bolts, 4 pk

**69061** Isolator Bolts, 8 pk







**A. Wireless Remote Kit** The wireless remote clips into a handy storage bracket that can be mounted on your helm or anywhere you wish. You have the option of using the remote anywhere in the boat, or using it like a dash-mounted switch. For use with G2 and G3 Fisherman 25 and Pontoon 35 Electric Anchor Winches.

**69044** Wireless Remote Kit

**B. 2nd Switch Kits** Includes sealed switch, bezel faceplate, cables with connectors and 4 screws – everything needed to install an auxiliary switch in the location of your choice.

**B1. For use with TRAC Electric Anchor Winches**

**69043** 2nd Switch Kit, Use with G3 Fisherman 25 (69002) & Pontoon 35 (69003)

**B2. For use with TRAC AutoDeploy Electric Winches**

**69045** 2nd Switch Kit, Use with G3 Angler 30 (69004) & Gen 2 Deckboat 40 (69005)



**B1**



**B2**

