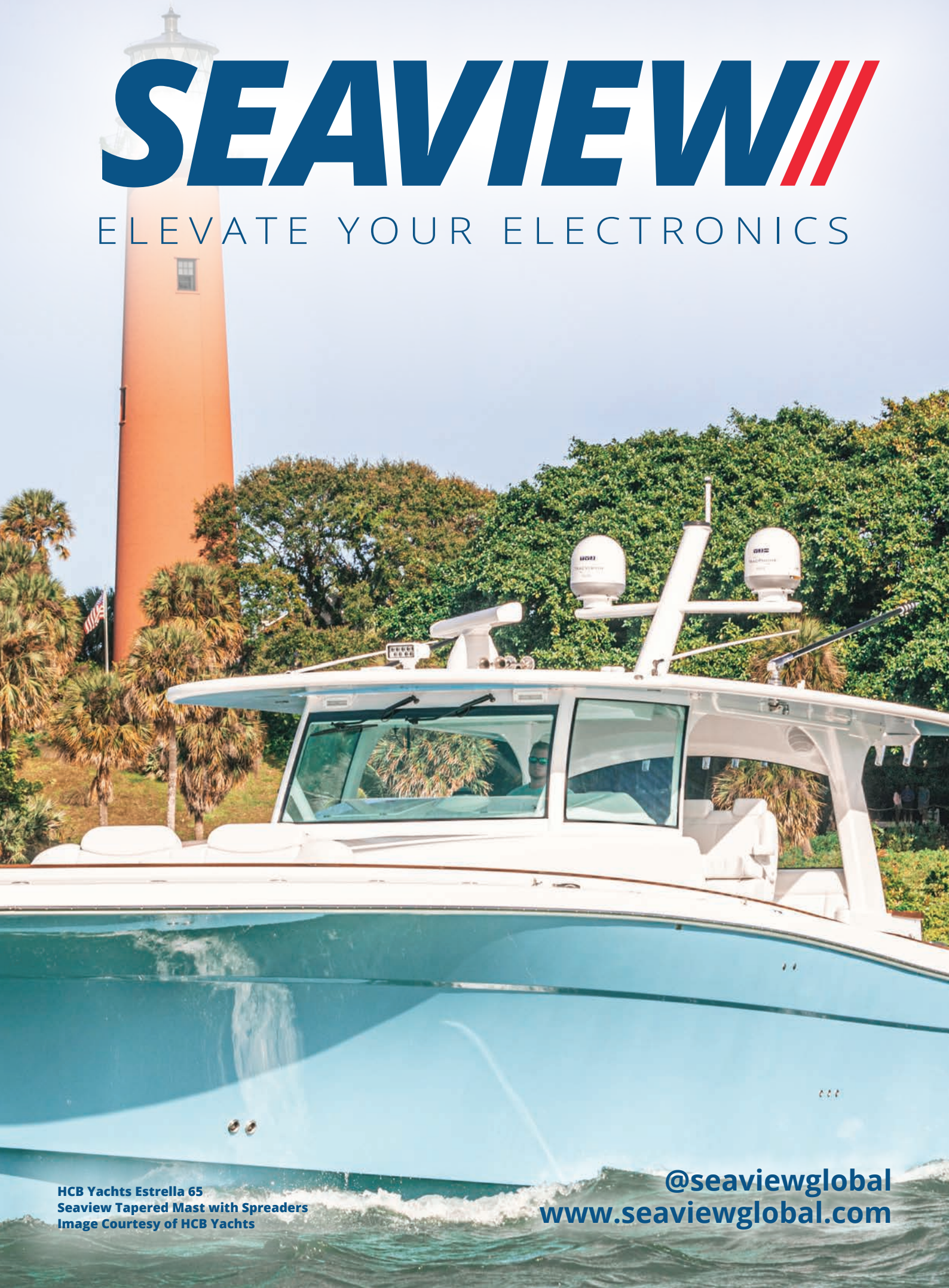


SEAVIEW

ELEVATE YOUR ELECTRONICS



HCB Yachts Estrella 65
Seaview Tapered Mast with Spreaders
Image Courtesy of HCB Yachts

@seaviewglobal
www.seaviewglobal.com

SEAVIEW



About Us Video

ELEVATE YOUR ELECTRONICS

Seaview is the global leader in designing and manufacturing mounting solutions for marine electronics. Seaview offers hundreds of installation options for optimal positioning of radar, satellite and tv domes, GPS, VHF, camera, searchlights and navigation lights. Seaview mounting solutions will not only provide unmatched strength and durability but look elegant, complementing the styling of your boat.

Working closely with all major electronic manufacturers, we offer an innovative range of high quality products for powerboats, sailboats, yachts, commercial and military vessels. While we offer a comprehensive selection of standard mounts, we also offer personalized mast solutions where the standard mounts may not be suitable. You will find Seaview mounting systems aboard many of the finest yachts around the world.



**MARINE ELECTRONICS ARE ALWAYS EVOLVING,
PLEASE REFER TO OUR MOST CURRENT CATALOG
UPDATES USING THE PROVIDED QR CODE OR GO TO
www.seaviewglobal.com/pages/downloads**

Seaview supporting the world's leading marine electronic manufacturers!

See what they have to say on pages 39 and 40!

Intellian

FLIR

LOWRANCE

Raymarine

GARMIN

FURUNO

K|V|H

SIMRAD

SITEX

SEAVIEW TABLE OF CONTENTS

MODULAR MOUNTS

SingleMounts.....	7-8
DualMounts.....	9-10
TopPlates.....	11
Light Bars	12-13
Light BarTops.....	14
Modular Mount Accessories	15-16

POWER BOAT MOUNTS

Quick Release Removable Bases	18
Tapered Masts	19-20
Stainless Steel Mounts	21
Low Profile Satdome Adapters	22-23
Direct Mount Wedges	26
Adapter Plate For Simrad Halo Open Array Radars	27

CAMERA & SEARCH LIGHT MOUNTS

Camera & Search Light Mounts	24-25
------------------------------------	-------

SAILBOAT MOUNTS

Mast Mounts	25, 28-29
Pole Mounts	30

INSTRUMENT MOUNTS

Sail Instrument Pods	31
Deck Instrument Pods	32
Sail, Deck & Rail Pod Reference Guide	33
Rail Instrument Pods	34

CABLE SEAL

Cable Seals	35-36
-------------------	-------

DRAIN PLUGS

inteliPlug Transom Drain Plug	37
Vault Transom & Center Drain Plug.....	38

PERSONALIZED OPTIONS

Personalized Mast Options	40-41
Commercial Masts	42-43

MANUFACTURER TESTIMONIALS

Manufacturer Testimonials.....	44-46
--------------------------------	-------

“We are very happy with the product from your company. It works flawlessly and its design matches with our t-top aesthetics seamlessly.”

Pardo Yachts Miami



“We rig them to be “dream boats” with every conceivable option and technology. Seaview’s flexible line of electronics mounting solutions makes it easy to fit our full system including radar, satellite TV and thermal night vision. Their customizable masts and mounts are rugged, reliable and they look fantastic too. They blend seamlessly with the design of today’s modern sport-fishing boats and look totally built-in, not bolt-on. That’s really appreciated by the boat builders we work with on these projects too.”

Jim McGowan
Americas Marketing Manager
FLIR Maritime and Raymarine



Image courtesy of Raymarine.
(Seaview PMA-DM2-M2 & ADAR1DMLTB shown.)

HERE'S WHY YOU SHOULD CHOOSE SEAVIEW



PERFORMANCE

Seaview mounts will properly elevate your electronics to eliminate interference, safely clear those on board and encourage longevity of the electronics.



DURABLE

Unlike any other mount available, Seaview takes the finish to another level. We Chem-Film* (same process used by Boeing) each high grade aluminum part prior to our standard 3 part polyurethane prime and powder coat to ensure the best possible finish and corrosion resistance.



MODULAR DESIGN

Simple 3 step system to choose your Seaview mount and accessories. Visit the website for a simple selector guide.

1. Pick Mount Style
2. Select Top Plate
3. Choose Accessories



Scan QR code for new selector guide



SPACE SAVING

Compact Seaview mounts help you get all of your marine electronics with one simple solution. Small footprints and one center hole for wiring point of entry.



HIGH QUALITY (made in U.S.A.)

Our Robotic Welding provides maximum efficiency while producing consistently superior welds. The Lincoln Fanuc 55E Single Station, AM120iC/12L with 6 axis robotic arm and 2 axis turntable was specifically programmed to weld our Seaview products.

This robot is operated by our very experienced welding team, manufacturing our Seaview products for stock, commercial and military applications including OEM parts.

* Not all Seaview products include the Chem-Film treatment

FOR RADARS, THERMAL CAMERAS, SATDOMES & SEARCHLIGHTS

MODULAR MOUNTS

EASY 3 STEP SOLUTION

STEP 1
REQUIRED

Choose Mount Style, Height & Color
Pages 7 - 10



Modular Mount
(PMA57M1)

STEP 2
REQUIRED

Select Modular Top Plate
Page 11



Top Plate
(ADAR1)

STEP 3
OPTIONAL

Light Bar Top
(LTBLED12)

Light Bar
(LTBR)

Tapered Spreader Kit
(SP1MOD)

LED Floodlight Kit for Spreaders
(SPLTLED)





“Formula Boats is well-known for its design, engineering, and build quality, but we also understand that we can benefit from the expertise and experience of a vendor. Introducing our first powered mast array for our forward-looking and unique 500 SSC, Seaview worked closely with our creative and technical R&D personnel throughout the design and engineering process. They proved easy to work with, giving us feedback and making suggestions to improve the function of the mast, and gladly making changes and improvements to the mast prototype as necessary. We ended up with an aesthetically and functionally beautiful mast that blends right into the lines of the boat. We are very pleased that we have teamed with Seaview!”

Formula Boats

BLACK MOUNTING SOLUTIONS

We have over 15 years experience in powder coating & painting various color options on stock and custom Seaview mounts. Due to popular demand, Seaview now has many black options available and in stock. A durable finish unlike anything else in the industry. All aluminum parts are first chem treated (for corrosion resistance), then an epoxy polyester primer coat is applied and finished with a polyester powder coat for a superior gloss finish. Please contact us if you do not see a particular color, size or style available throughout the catalog.



Riviera 5400 Sport Yacht Platinum Edition.
Seaview PMA57M1BLK, ADAR1BLK, LTBBOX & LTBBOX.
Image courtesy of Riviera Australia Pty Ltd



HCB Yachts Estrella
Seaview Custom Tapered Mast.
Image courtesy of HCB Yachts

**STEP 1
REQUIRED**

CHOOSE A MODULAR MOUNT

(Modular Mounts require a top plate pg 11)

FORWARD LEANING

PMF57M1 (WHITE)



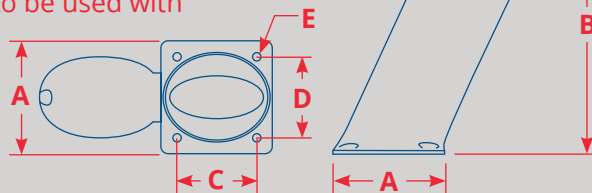
PMF57M1BLK (BLACK)



Fits

- 18" - 25" closed dome radars
- 16" diameter or smaller satdomes
- 10" tall mounts are not to be used with open array radars

Comes with a self-draining water proof cable seal base plate.



Model #	A inch /mm	B inch /mm	C & D inch /mm	E inch /mm
PMF57M1	7 / 177.8	5 / 127	5 / 127	.5 / 12.7
PMF57M1BLK	7 / 177.8	5 / 127	5 / 127	.5 / 12.7
PMF107M1	7 / 177.8	10 / 254	5 / 127	.5 / 12.7

AFT LEANING

PMA57M1 (WHITE)



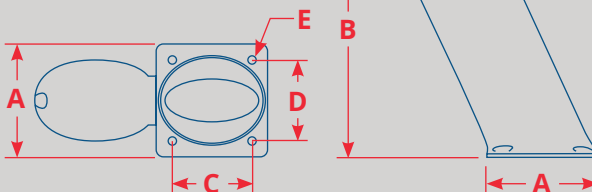
PMA57M1BLK (BLACK)



Fits

- 18" - 25" closed dome radars
- 16" diameter or smaller satdomes
- 10" - 36" tall mounts are not to be used with open array radars

Comes with a self-draining water proof cable seal base plate.



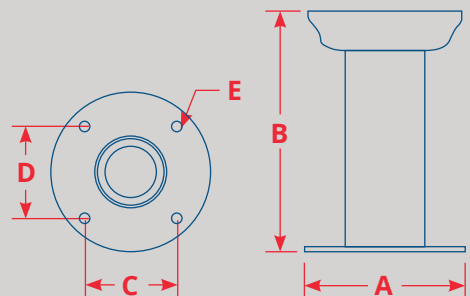
Model #	A inch /mm	B inch /mm	C & D inch /mm	E inch /mm
PMA57M1 (WHITE)	7 / 177.8	5 / 127	5 / 127	.5 / 12.7
PMA57M1BLK (BLACK)	7 / 177.8	5 / 127	5 / 127	.5 / 12.7
PMA107M1	7 / 177.8	10 / 254	5 / 127	.5 / 12.7
PMA167M1	7 / 177.8	16 / 406.4	5 / 127	.5 / 12.7
PMA247M1	7 / 177.8	24 / 609.6	5 / 127	.5 / 12.7
PMA367M1	8 / 203.2	36 / 914.4	6.5 / 165.1	.5 / 12.7

VERTICAL



Fits

- 18" - 25" closed dome radars
- 24" diameter or smaller satdomes
- Not to be used with open array radars



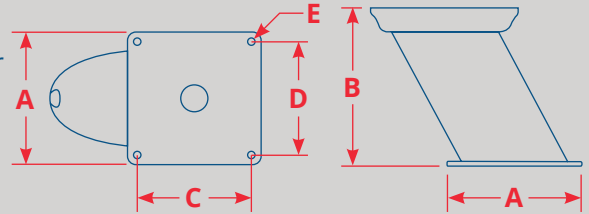
Model #	A inch /mm	B inch /mm	C & D inch /mm	E inch /mm
AM5M1	8 / 203.2	5 / 127	4.77 / 121.2	0.5 / 12.7
AM12M1	8 / 203.2	12 / 304.8	4.77 / 121.2	0.5 / 12.7
AM18M1	8 / 203.2	18 / 457.2	4.77 / 121.2	0.5 / 12.7

OPEN ARRAY & LG SATDOME MOUNTS



- Fits
- 16" - 24" diameter satdomes
 - Available in Aft leaning
 - Up to 6' Open Array Radar

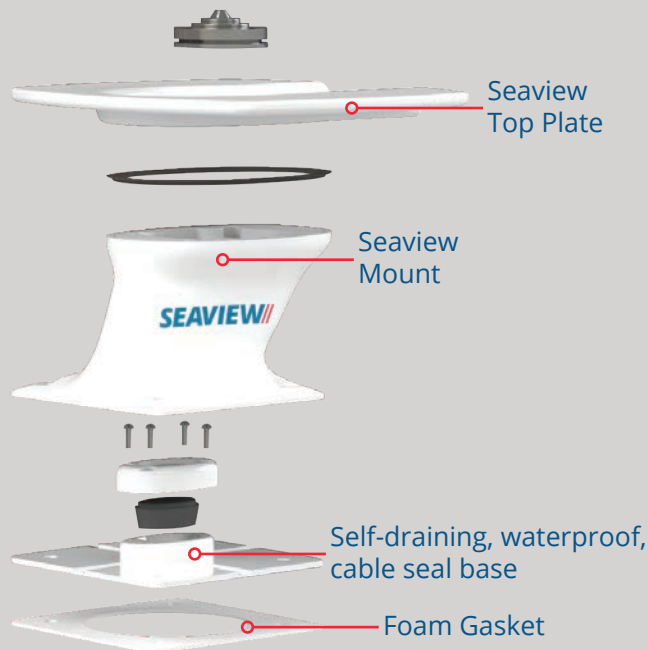
Comes with a self-draining water proof cable seal base plate.



Model #	A inch /mm	B inch /mm	C & D inch /mm	E inch /mm
PMA57M1	7 / 177.8	5 / 127	5 / 127	0.5 / 12.7
PMF57M1 (FWD Leaning)	7 / 177.8	5 / 127	5 / 127	0.5 / 12.7
PMA1210M2	10 / 254	12 / 304.8	8.5 / 215.9	0.5 / 12.7
PMA1810M2	10 / 254	18 / 457.2	8.5 / 215.9	0.5 / 12.7

SELF-DRAINING WATERPROOF BASE PLATES

Seaview has designed a self-draining waterproof base plate to be supplied standard with most Seaview mounts that have a 7" or 10" base plate. This base plate has a built in cable seal (deck seal) to provide a waterproof point of entry, while also self-draining if any water does happen to find its way into the base of the mount. The Seaview modular top plates will still have rubber gaskets to help keep water out, but the base will ensure that it is 100% waterproof and will not collect and hold water.



Link to videos of this waterproof base in action!

View looking inside top down to illustrate the cable seal base under the Seaview mount.



**STEP 1
REQUIRED**

CHOOSE A MODULAR MOUNT

(Modular Mounts require a top plate pg 11)

PMADM1M2 (WHITE)

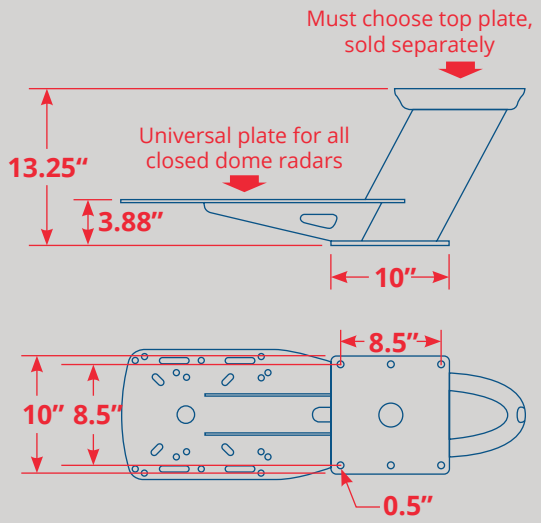


PMADM1M2BLK (BLACK)



- Fits
- RADAR
 - SATDOME
 - CAMERA
- 18" - 25" closed dome radars
 - 16" - 24" satdomes
 - Cameras
 - Spotlights

Comes with a self-draining water proof cable seal base plate.

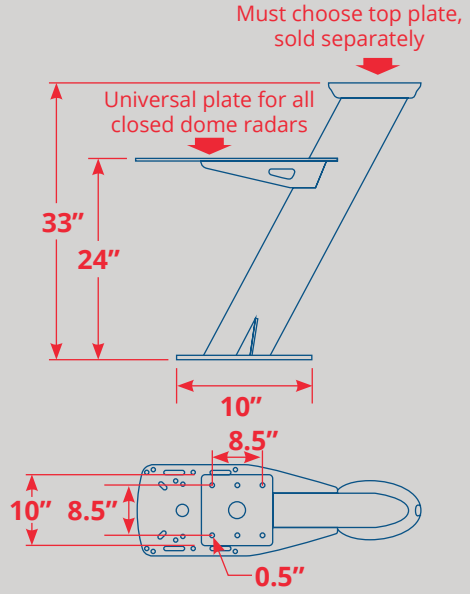


PMADM124M2



- Fits
- RADAR
 - SATDOME
 - CAMERA
- 18" - 25" closed dome radars
 - 16" - 18" satdomes
 - Cameras
 - Spotlights

Comes with a self-draining water proof cable seal base plate.



PMADM2M2 (WHITE)

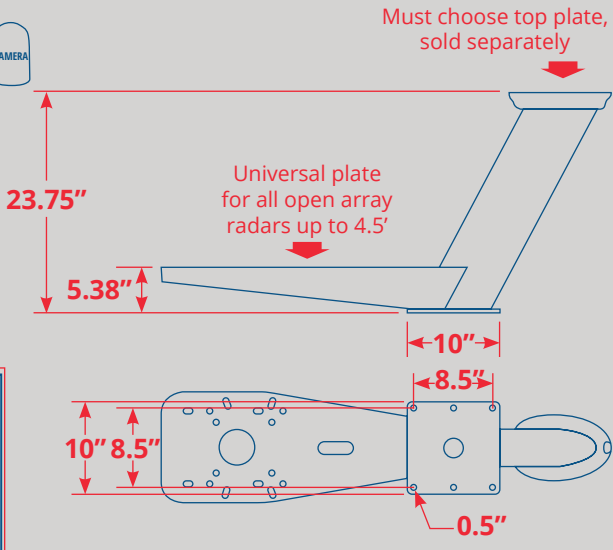


PMADM2M2BLK (BLACK)



- Fits
- SATDOME
 - OPEN ARRAY RADAR
 - CAMERA
- Up to 4.5' open array radars
 - 16" - 24" satdomes
 - Cameras
 - Spotlights

Comes with a self-draining water proof cable seal base plate & a 10" x 10" backing plate.

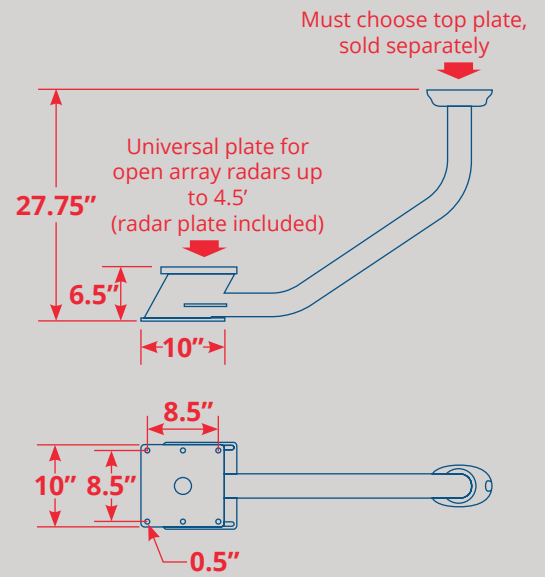


**PMADM3M1 (WHITE)
PMADM3M1BLK (BLACK)**



- Fits
- Up to 4.5' open array radars
 - 16" - 18" satdomes
 - Cameras
 - Spotlights

Comes with a self-draining water proof cable seal base plate & a 10" x 10" backing plate.

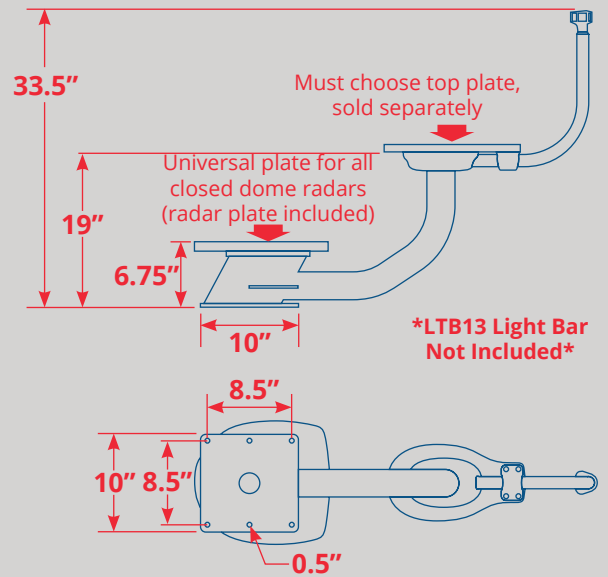


PMADM4M1



- Fits
- 18" - 25" closed dome radars
 - 16" - 24" satdomes
 - Cameras
 - Spotlights

Comes with a self-draining water proof cable seal base plate.



Key
1" = 25.4mm

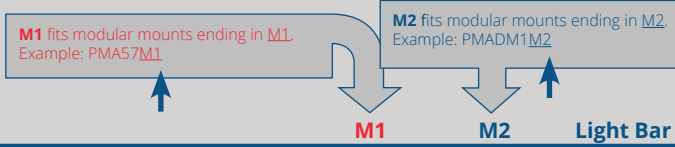


SOUTHPORT 33DC.
Image courtesy of Southport Boats.
(Seaview PMADM1M2, ADA51, SP2MOD & LTBS shown)

STEP 2 REQUIRED

SELECT A TOP PLATE

NOTE: If you have selected a modular mount ending in "M1" use the M1 column below. Mounts ending in "M2" use M2 column.

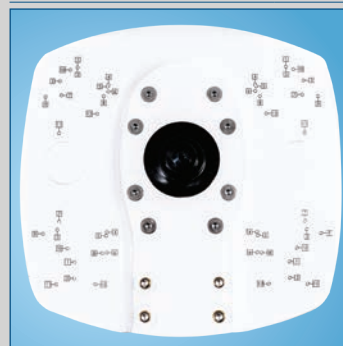


	M1	M2	Light Bar
ACR			
RCL50B, RCL75, RCL85, RCL95, RCL100, RCL1000	ADABLANK	ADABLANK	LTB13
RCL300	CALL	CALL	CALL
COMNAV			
Explorer V2/V3	ADAF1	ADAF1	LTB-S
FLIR			
MD324, MD625, M324XP, M324L, M324S, M324CS, M625XP, M625L, M625S, M625CS, M612L, M617CS, M618CS, T200, T300, T400	ADAF1	ADAF1	LTB13
M132, M232 Series (Hiko)	ADAF2	ADAF2	LTB13
M300C, M332, M364, M364C and M364C LR	ADAF3	ADAF3	LTBS
FURUNO			
SC30, SC703, SC1303	ADAR1	ADAR1DMLTB	LTBR
DRS4DL, DRS4D, DRS2DNXT, DRS4DNXT	ADAR1	CALL	LTBR
DRS6A-NXT	ADAR1	ADAR1DMLTB	LTBOA or LTBOA6
GARMIN			
FANTOM18, GMR18(HD), GMR18x(HD)	ADAR1	ADAR1DMLTB	LTBR
FANTOM24, GMR24(HD), GMR24x(HD)	ADAR1	ADAR1DMLTB	LTBR
Fantom, 4'-6' open array radar	ADAR1	ADAR1DMLTB	LTBOA or LTBOA6
GLOMEX			
20" - 27" Satdome	ADAS1	ADAS2	LTBS24
Pandora	ADAS3	ADAS3	LTBS
HUMMINBIRD			
HB2124 Chirp Radar	ADAR1	ADAR1DMLTB	LTBR
RH44, RH45 4' - 6' open array radar	ADAR1	ADAR1DMLTB	LTBOA or LTBOA6
INTELLIAN			
C700	ADAC700M1	ADAC700M2	LTBR
i2 (FB150 in i2 matching dome)	ADAS1	ADAS3	LTBS
i3 (FB150 in i3 matching dome)	ADAS1	ADAS1	LTBS
i4, i4P (FB150 in i4 matching dome)	ADAS2	ADAS2	LTBS
i5, v45C	ADAS2	ADAS2	LTBS24
i6, i6P, S6HD, FB500	ADAS2	ADAS2	LTBS24
FB250, Fleet One	CALL	CALL	LTBS
FB150	ADAS4	ADAS4	LTBS
JRC			
15" radar domes	ADAR1	ADAR1DMLTB	LTBR
KODEN			
18" - 25" radar domes	ADAR1	ADAR1DMLTB	LTBR
4' - 6' open array radar	ADAR1	ADAR1DMLTB	LTBOA or LTBOA6
KVH			
M1DX, M1, TV1, LTE-1	ADAS1	ADAS3	LTBS
M2, M3, M3DX, M3ST, V3, V3-IP, TV3, V3-HTS	ADAS1	ADAS1	LTBS
M5, TV5, FB250 (18")	ADAS2	ADAS2	LTBS
M7, M7SK, HD7, UHD7 (24"), V7, TV6, FB500(26"), F55, V3-IP(24")	ADAS2	ADAS2	LTBS24
V7-IP, V3-HTS (24") 8.49"x8.49" bolt pattern	CALL	CALL	CALL
FB150(10.8"), FB250(14"), Fleet One, Fleet33	ADAS4	ADAS4	LTBS
V30	ADAV30	ADAV30	LTBS

BLACK TOP PLATES

- *ADAR1BLK
 - *ADAS1BLK
 - *ADAS2BLK
 - *ADAF1BLK
 - *ADAF2BLK
 - *ADAF3BLK
- (any others available in black upon request)

	M1	M2	Light Bar
LOWRANCE			
3G, 4G radar domes	ADAR1	ADAR1DMLTB	LTBR
LORENZ			
12" - 24" radar domes	ADAR1	ADAR1DMLTB	LTBR
4' - 6' open array radar	ADAR1	ADAR1DMLTB	LTBOA or LTBOA6
OMNISENSE			
Micro, Mini	ADABLANK	ADABLANK	LTB13
OSCAR			
Sentry	ADABLANK	ADABLANK	LTBS
RAYMARINE			
RD418D, RD418HD, RD424D, RD424HD, Quantum, Quantum 2	ADAR1	ADAR1DMLTB	LTBR
RA1048(S)HD, RA3048(S)HD, Magnum 4', Cyclone	ADAR1	CALL	LTBOA
RA1072(S)HD, RA3072(S)HD, Magnum 6'	ADAR1	CALL	LTBOA6
33STV	ADAS1	ADAS3	LTBS
37STV	ADAS1	ADAS1	LTBS
45STV	ADAS2	ADAS2	LTBS
60STV	ADAS2	ADAS2	LTBS24
SEA-TEL (COBHAM)			
ST14, FX150 (16.5")	ADAS2	ADAS2	LTBS24
C18, FX250 (24")	ADAS2	ADAS2	LTBS24
SIMRAD			
3G, 4G, HALO20(+), HALO24	ADAR1	ADAR1DMLTB	LTBR
4' - 6' Halo™ open array radar	ADAR1 + ADAHALO3	CALL	LTBOA or LTBOA6
4' - 6' RB series open array radar	ADAR1	ADAR1DMLTB	LTBOA or LTBOA6
SITEX			
18" (T760/T921) radar domes	ADAR1	ADAR1DMLTB	LTBR
24" (MDS12) radar	ADAR1	ADAR1DMLTB	LTBR
25" radar domes	ADAR1	ADAR1DMLTB	LTBR
4'-6' open array radar	ADAR1	ADAR1DMLTB	LTBOA or LTBOA6
THRANE & THRANE			
FB150, FB250, Fleet 33, 33+	ADAS4	ADAS4	LTBS
Sailor FB500, Fleet 55+	ADAS1	ADAS3	LTBS24



Seaview Top Plates now come with the drill template stamped on the top plate to make for very easy installation (no more loose drill template!)

11 TOP PLATES

STEP 3
OPTIONAL

CHOOSE OPTIONAL ACCESSORIES

LIGHT BARS



LTBS (WHITE)

LTBSBLK (BLACK)

For 20" or smaller satdomes. This light bar can fold over 90°. Comes with S.S. saddle assembly and hardware for installation.

LTBS24 (WHITE)

LTBS24BLK (BLACK)

For 26" or smaller satdomes. This light bar can fold over 90°. Comes with S.S. saddle assembly and hardware for installation.



LTBOA (WHITE)

LTBOABLK (BLACK)

For open array radars up to 4½'.

LTBOA6

For 6' open array radars.



LTBR (WHITE)

LTBRBLK (BLACK)

For 18" - 24" closed dome radars. This light bar can fold over 90°. Comes with S.S. saddle assembly and hardware for installation.

Note that Light Bars do not come with a light. Select a Light Bar top for your Light Bar on page 14.

LTB13

Compact light bar to clear searchlights and thermal cameras up to 14" tall. Can fold over 90°. Comes with S.S. saddle assembly and hardware for installation.



STEP 3
OPTIONAL

CHOOSE OPTIONAL ACCESSORIES

LIGHT BARS & ACCESSORIES



LTBSF2

A 2" diameter Light Bar designed to work with most searchlights, thermal cameras and nav light to clear 20" satdomes or smaller. This will NOT clear 24" satdomes. Note: This will not work with the FLIR M300 series cameras or RCL85/95 searchlights. Call for more information.



LTBSF3

Heavy Duty light bar for the FLIR M300 is designed to fit with the Seaview dual mounts and heavy duty 12" and 18" AFT leaning modular mounts. This will clear up to 24" Satdomes and is intended for the FLIR M300, anchor light, steaming light. Modifications can be made upon request. No top plate needed with this light bar. The top plate is included and pre-drilled for 18-24" Satdomes.



LTBSF4

A 2" diameter Light Bar designed to work with most searchlights, thermal cameras and nav light. This will clear 18-24" closed dome radars with the exception of Raymarine RD424. Note: This will not work with the FLIR M300 series cameras or RCL85/95 searchlights. Call for more information.



S.S. light bar saddle assembly comes with LTBR, LTBRBLK, LTBS, LTBSBLK, LTBS24, LTBS24BLK, LTB13



(PMA57M1 + ADAR1 + LTBSF4 + LTBLED12)



LTB90

Bolt on kit that allows you to quickly fold the light bar over without any tools.

This kit will only work with Seaview AFT leaning mounts and top plates ADAR1, ADAS1 & ADAS2. Contact Seaview if this is needed for another application.

STEP 3
OPTIONAL

CHOOSE OPTIONAL ACCESSORIES

LIGHT BAR TOPS



LTBLED12

Seaview LED Combination Masthead / White All-Round Light. 3-Mile (USCG 3nm) Certified. IP67 watertight and designed to easily fit inside the top of any Seaview light bar. Certified For Use on Sail or Power Driven Vessels Under 20 Meters (65.6 ft.) in Length. Comes with 7 ft of wire (12v).



LTBBOX

(4"x4.5") Black Box Top to fit three navigation lights or similar. Removable lid to make for a very easy installation. Note that this does not come with lights.



LTBBOXW

(4"x4.5") White Box Top to fit three navigation lights or similar. Removable lid to make for a very easy installation. Note that this does not come with lights.



LTBU1A

(2.5"x7") Allows you to mount a single light or a GPS and a light. Lights and GPS not included.



PMU2A

Allows you to mount a single light and two GPS units. Light and GPS not included.



LTBU

ABS plastic adapter to mount a GPS or wind transducer. The threads are 1-14.



LTBUSS

Stainless steel adapter to mount a VHF, GPS or wind transducer. The threads are 1-14.



LTBU1A1697

Perko 1697 LED nav light on a 12.75" post with 7' of wire (12v). USCG approved for boats up to 20 meters (65.6') in length. 1-14 threads for GPS or similar.



LTBU1A1197

Perko 1197 incandescent nav light on a 12.75" post with 7' of wire (12v). USCG approved for boats up to 20 meters (65.6') in length. 1-14 threads for GPS or similar.

LIGHT BAR ACCESSORIES



PM114LTLED

LED Floodlight kit (9-33v). For Seaview 1 1/4" diameter light bars. Includes 1 1/4" stainless steel clamp, mounting hardware & Hella 0670 Sea Hawk LED Floodlight

STEP 3
OPTIONAL

CHOOSE OPTIONAL ACCESSORIES

SPREADER KITS

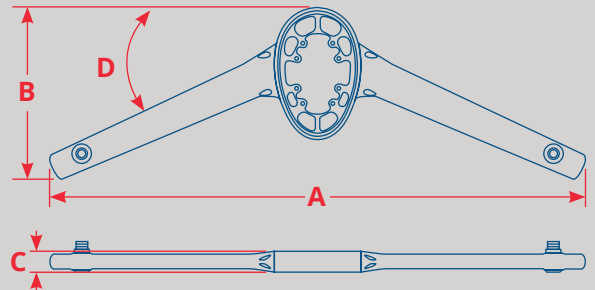


SP1MOD (white)
SP1MODBLK (black)

Fits all Seaview mounts that end in "M1". For example PMA57M1.

SP2MOD (white)
SP2MODBLK (black)

Fits all Seaview mounts that end in "M2". For example PMADM2M2.




Part #	A inch / mm	B inch / mm	C inch / mm	D
SP1MOD/ SP1MODBLK	42.4 / 1077	12.625 / 320.67	1.75 / 44.45	25°
SP1MOD/ SP1MODBLK	44.5 / 1130.3	14.282 / 362.76	1.75 / 44.45	25°

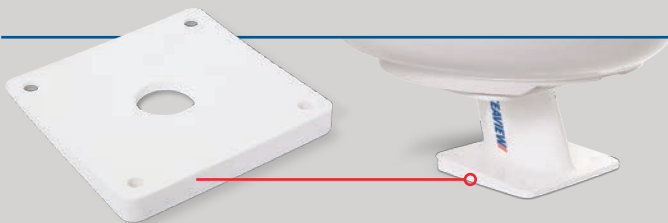


SPREADER KIT ACCESSORIES

SPLLED Enhance your visibility with a Seaview spreader LED floodlight kit. This kit includes stainless steel bracket, mounting hardware & 8 Watt 1,600 LUMEN LED floodlight (10-40VDC).



Do **NOT** use 4' or taller fiberglass antennas on nylon or plastic adapters! 4' or smaller stainless steel whip antennas ok. If you need to mount 4' or taller fiberglass antennas you must use this stainless steel 1-14 threaded insert. (Sold separately, part **#SP7SS**)



BASE WEDGES

Most common planing attitude requires 3-4° of adjustment. If you are unsure which to choose then we recommend the 4° wedge. We do however offer 2° & 6° wedges if you feel a little more or a little less is better for your application.



Part #	Angle of Wedge	A inch / mm	B inch / mm	C inch / mm
PMW27	2°	7 / 177.80	0.37 / 9.37	0.125 / 3.18
PMW47	4°	7 / 177.80	0.61 / 15.6	0.125 / 3.18
PMW67	6°	7 / 177.80	0.86 / 21.87	0.125 / 3.18
PMW48	4°	8 / 203.20	0.68 / 17.37	0.191 / 4.84
PMW410	4°	10 / 254	0.95 / 24.13	0.25 / 6.35

STEP 3
OPTIONAL

CHOOSE OPTIONAL ACCESSORIES

HINGE ADAPTERS

Seaview offers many manual and electrically actuated hinge (folding) options. Several manual hinge adapters are available stock options to fit just about any Seaview mount as shown below (PMH7, PMH8 & PMH10). We also offer larger built to order manual hinges to fit your specific needs.



Part #	Description
PMH7	For 7"x7" base plate. Fits 5" - 24" tall radar mounts.
PMH8	For 8"x8" base plate. Fits 36" tall radar mounts.
PMH10	For 10"x10" base plate. Not to be used for PMA-DM2-M2 or PMA-200 series mounts.



The hinge adapter can hinge back 180°. Allowing you to have the most clearance possible.

HINGE ADAPTERS

Captive knobs means these will stay with the hinge when it's open or closed.

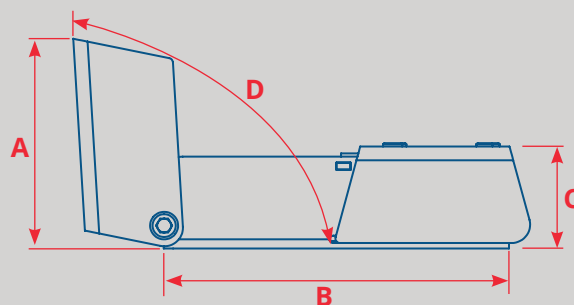
ELECTRICALLY ACTUATED HINGE

When the electronics become heavy and cumbersome, or you simply prefer to push a button to hinge your electronics, we have the SVEHB1 electronically actuated hinge option. The Seaview SVEHB1 electrically actuated hinge will fit all Seaview mounts with 7x7 inch and 10x10 inch mounting base plates. Some electronics can also be mounted directly to the hinge plates when needed (contact Seaview for direct mount electronics). Professionally designed to raise and lower marine electronics with the push of a button. This single electrically actuated hinge will accommodate single small Seaview mounts up to large dual mounts fully loaded with marine electronics. This hinge is 5 9/16" tall x 13" wide x 20 1/2" long. This will hinge approximately 93 degrees leaving the hinge plate vertical off the mounting surface about 11 7/16".

This Seaview hinge is marine grade aluminum expertly fabricated for consistently superior welds. The actuator used is 24V, however 12V is an option with a conversion kit. The 24V actuator has a current draw of 10.4 amps on startup and when it is fully loaded with 2248 pound-force. The hinge has a very durable finish using an epoxy polyester primer coat and finished with a polyester powder coat for a superior gloss white finish. There are two waterproof cable seals inside the hinge for water proof cable routing. This also has a removable lid to conveniently service the inside of the hinge if needed.



Link to Videos of the actuated hinge in action!



Part #	A inch / mm	B inch / mm	C inch / mm	D
SVEHB1	11.42 / 290.07	18.50 / 469.9	5.55 / 140.97	93.44°

“Seaview removes the engineering and fabrication headaches associated with mounting marine electronics while providing extremely high quality, great looking products.”

Travis Duffield
Vice President
Duffield Yachts



Duffield 58.
Image courtesy of Duffield Yachts.
(Seaview PMADM2M2, ADAS2, LTBSF & LTBP1197 shown)

QUICK RELEASE REMOVABLE BASES

These new-innovative mounts save time, money, and headaches for many different types of boat owners. Designed with a sturdy, lockable platform, the removable bases make removing/servicing/securing/installing high-value marine electronics easier than ever. Pre-drilled to fit Seaview mounts with the 7x7" or 10x10" base plate.

Contact Seaview if you would like to mount electronics directly to the removable base.

****Note, the latch handles must be mounted in the forward position.**



SV108552W (white)

SV108552B (black)

17.25" L x 12" W x 1.5" Thick
(removable lid is
14.624" L x 9.374" W)



Video of the
base in action



SV108546W (white)

SV108546B (black)

23.25" L x 18" W x 1.5" Thick
(removable lid is
19.749" L x 11.499" W)



Step 1:
Unlock latch to remove lid



Step 2:
Unlatch and fold the
electronics AFT



Step 3:
Disconnect the cables



Step 4:
Remove the mount/
electronics



Garmin Open Array radar directly mounted
to the SV108546W base.



Raymarine Open Array radar on a Seaview mount
(PMA57M1BLK + ADAR1BLK)
mounted to the SV108552B base.

TAPERED MASTS

FOR MOST CLOSED & OPEN ARRAY RADARS

Removable Spreaders

All Seaview Tapered Masts feature removable spreaders for easier shipping. Standard 1-14 threaded fittings are used on the spreaders and are made out of nylon to eliminate corrosion.

For Just About Any Radar

Three different models are available to fit just about any marine electronic combination.

High Visibility

Mounting plate for lights on all Seaview Tapered Masts. Example shown on PMA-200 image.

If you plan to use 4' or taller antennas on the spreaders you should use a stainless steel adapter (**SP7SS**) shown below.



PMABC37S

Mounting plate will accept most standard 18" and 24" radar domes. Features a welded platform for cameras or search lights.



PMA100S

Mounting plate will accept most standard 18" and 24" radar domes.



PMA200

Mounting plate will accept most open array radars up to 4.5 feet. Comes with a 10"x10" backing plate. These PMA200's are built to order.



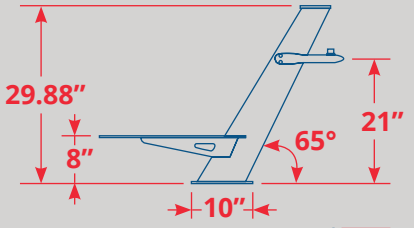
Do **NOT** use 4' or taller fiberglass antennas on nylon or plastic adapters! 4' or smaller stainless steel whip antennas ok. If you need to mount 4' or taller fiberglass antennas you must use this stainless steel 1-14 threaded insert. (Sold separately, part #**SP7SS**)



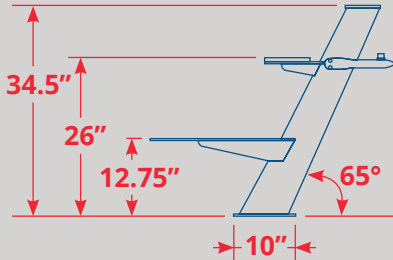
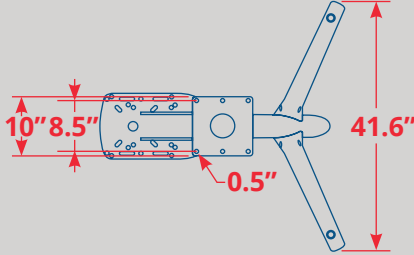
PMA100S pictured above.

DIMENSIONS

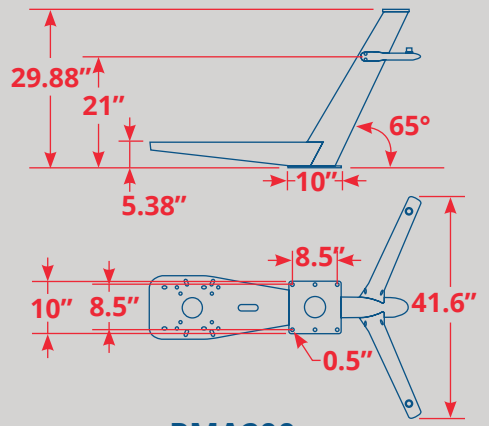
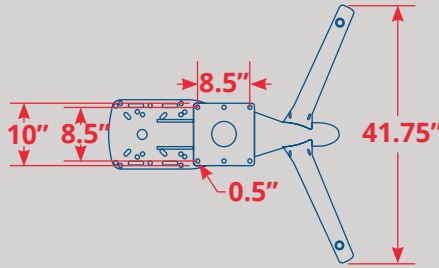
Key
1" = 25.4mm



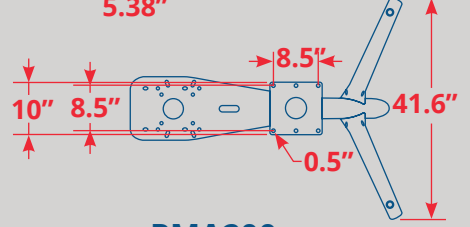
PMA100S



PMABC37S



PMA200



"Back Cove Yachts offers 5 different models and produces 60+ boats per year. We require parts and materials to be delivered on a schedule and be of excellent quality. We have been able to rely on Seaview to deliver the parts we need, when we need them and maintain the quality levels we expect. Seaview has remained a significant source in our supply chain. In part because of the reasons mentioned above, but also due to outstanding customer service and engineering support. We look forward to continuing an exceptional partnership for years to come."

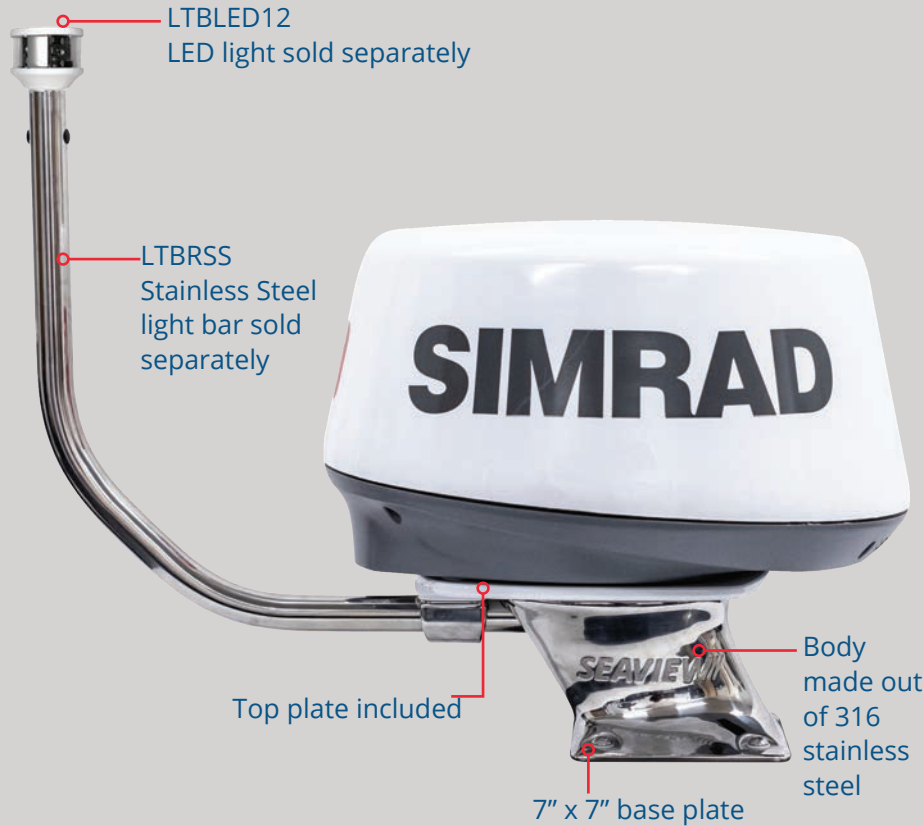
Keith Warren
Engineering Manager
Back Cove Yachts



Image courtesy of Back Cove Yachts (Seaview PMABC37S mast shown.)

STAINLESS STEEL MOUNTS

FOR MOST CLOSED DOME & OPEN ARRAY RADARS



PART NUMBER GUIDE

FURUNO

15" - 24" radar domes	PMA57LSS
4' - 6' open array radars	PMA57LSS

GARMIN

18" - 24" radar domes	PMA57LSS
Fantom, 4' - 6' open array radars	PMA57LSS

HUMMINBIRD

HB2124 Chirp Radar	PMA57LSS
4' - 6' open array radars	PMA57LSS

JRC

15" radar domes	PMA57LSS
-----------------	----------

KODEN

18" - 25" radar domes	PMA57LSS
4' - 6' open array radars	PMA57LSS

LOWRANCE

3G, 4G, HALO20(+), HALO24	PMA57LSS
---------------------------	----------

LORENZ

12" - 24" radar domes	PMA57LSS
4' - 6' open array radars	PMA57LSS

RAYMARINE

18" - 24" Radomes	PMA57LSS
Quantum, Quantum 2 radar	PMA57LSS
4' - 6' open array radars, Cyclone	PMA57LSS

SIMRAD

3G, 4G, HALO20(+), HALO24	PMA57LSS
TX06S, TX10S	PMA57LSS
4' Halo™ open array radar	PMA57LSS + ADAHALO3
4' - 6' RB Series open array radars	PMA57LSS

SITEX

18" - 25" radar domes	PMA57LSS
4' - 6' open array radars	PMA57LSS

STAINLESS STEEL LIGHT BARS

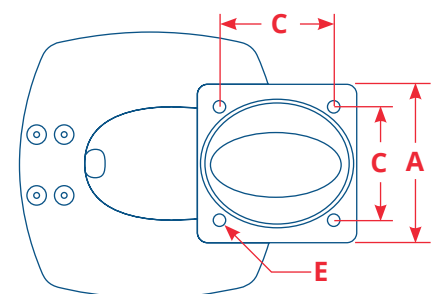
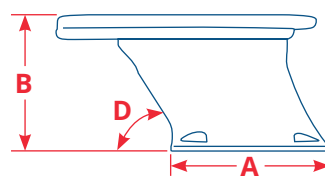


LTBRSS

Polished 316 Stainless Steel 1 1/4" light bar for closed dome radar. Comes with S.S. saddle assembly to properly secure to the PMA57LSS radar mount. Must choose a light bar top from page 13.

DIMENSIONS

Part #	A	B	C	D	E
	inch /mm	inch /mm	inch /mm	Degrees	inch /mm
PMA57LSS	7 / 177.8	5.91 / 150	5 / 127	80°	0.25 / 6.35



LOW PROFILE ADAPTERS

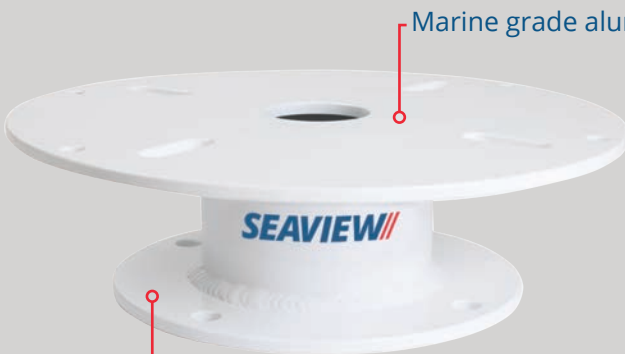
FOR MOST SATDOMES



Water tight seal fits between satdome and mount

AMA16

UV stable white ABS plastic



Marine grade aluminum

AMAGXF

OPTIMIZE YOUR SATELLITE DOME INSTALLATION

The Seaview Low Profile Adapters will reduce the footprint of your satdome. Add an AMAW wedge to your installation to level your satdome when installing on sloped surfaces.

- The AMA18, AMA18IP & AMA24 are made with ABS plastic with an internal anodized aluminum plate for superior strength
- The AMAGXF is made of powder coated marine grade aluminum
- Small mounting base for space limited installations
- Hides cables

ACCESSORY | AMAW

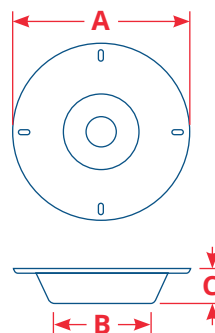


By rotating the **AMAW** wedge halves, you can achieve 0° - 12° of adjustment. The AMA-W wedge works with AMA16, AMA18, AMA18IP, AMA24 and AMAGXF only.

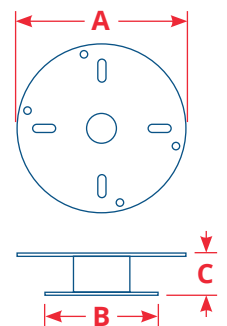
DIMENSIONS

Part #	A inch / mm	B inch / mm	C inch / mm
AMA16	12 / 304.8	8 / 203.2	2.75 / 69.85
AMA18	14.25 / 362	8 / 203.2	2.65 / 67.31
AMA18CR	14.25 / 362	8 / 203.2	3 / 76.2
AMA18IP	14.25 / 362	8 / 203.2	3 / 76.2
AMA24	19 / 482.6	8 / 203.2	2.70 / 68.58
AMAGXF	12 / 304.8	8 / 203.2	3 / 76.20

AMA14 / AMA16 / AMA18 / AMA18IP / AMA24



AMAGXF



LOW PROFILE SATDOME PART # GUIDE

Find your satdome below to find the correct Low Profile mount part number. If you do not see your satdome below please give us a call.

GLOMEX	
Pandora, 20" - 27" satdomes	AMAGXF
INTELLIAN	
i2	AMAGXF
i3	AMA16
i4, i4P, i5, v45C	AMA18
i6, i6P, S6HD, FB500	AMA24
i9, S80hd	Contact Seaview
FB150, FB250	Contact Seaview
KVH	
M1, M1DX, TV1, LTE-1	AMAGXF
M2, M3, M3DX, M3ST, V3, V3-IP, TV3, V30	AMA16
M5, TV5, FB250(18")	AMA18
M7, M7SK, HD7, UHD7 (24"), TV6, V7, FB500 (26"), F55	AMA24
V3-IP (24"), TV7-IP, V7HTS, UHD7 (V7HTS Dome)	AMA18IP
TV8, HD11, FB500 (35"), F77	Contact Seaview
FB150 (10.8"), FB250 (11"), Fleet 33, Fleet One	Contact Seaview

RAYMARINE	
33STV	AMAGXF
37STV	AMA16
45STV	AMA18
60STV	AMA24
Cyclone	AMA18CR
SEA TEL / COBHAM	
ST14, FX150 (16.5")	AMA18
C18, FX250 (24")	AMA18
THRANE & THRANE	
FB150, FB250, Fleet 33, Fleet 33+	Contact Seaview
SAILOR FB500, Fleet 55+	AMAGXF

Aluminum insert shown inside the AMA24. The AMA18 and AMA18IP are also reinforced with the aluminum insert. This provides superior strength and durability.



“Intellian is happy to work with Seaview to provide our customers with a professional, stylish and cost effective mounting solution for the complete range of Satellite TV and Communication products.”

Paul Comyns
VP Global Marketing
Intellian

CAMERA & SEARCH LIGHT MOUNTS

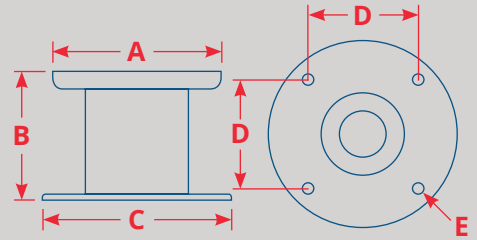
VERTICAL MOUNTS



PM5FMH8



PM5FM38



	CAMERA				SEARCH LIGHT
	PM5FMT8 inch /mm	PM5FMD8 inch /mm	PM5FMH8 inch /mm	PM5FM38 inch /mm	PM5SL8 inch /mm
A	7.12 / 182.6	6 / 152.4	7.75 / 196.9	10.75 / 273.05	7.6 / 193
B	5.63 / 143	5.63 / 143	5.75 / 146	5.75 / 146.05	6.38 / 162
C	8 / 203.2	8 / 203.2	8 / 203.2	8 / 203.2	8 / 203.2
D	4.77 / 121.2	4.77 / 121.2	4.77 / 121.2	4.77 / 121.2	4.77 / 121.2
E	0.5 / 12.7	0.5 / 12.7	0.5 / 12.7	0.5 / 12.7	0.5 / 12.7

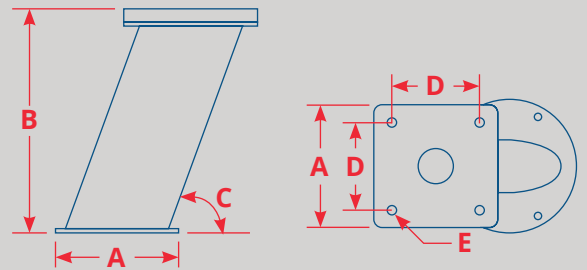
AFT LEANING MOUNTS



PMA5FM37



PMA12FSL7



	A inch /mm	B inch /mm	C inch /mm	D inch /mm	E inch /mm
CAMERAS					
PMA5FMT7	7 / 178	5.25 / 140	70°	5 / 127	0.5 / 12.7
PMA5FM37	7 / 178	5.5 / 139.7	70°	5 / 127	0.5 / 12.7
PMA5FMH7	7 / 178	5.5 / 139.7	70°	5 / 127	0.5 / 12.7
PMA12FMT7	7 / 178	12.75 / 323.85	70°	5 / 127	0.5 / 12.7
PMA12FM37	7 / 178	12.5 / 317.5	70°	5 / 127	0.5 / 12.7
PMA12FMH7	7 / 178	12.5 / 317.5	70°	5 / 127	0.5 / 12.7
SEARCH LIGHTS					
PMA5FSL7	7 / 178	5.25 / 140	70°	5 / 127	0.5 / 12.7
PMA12FSL7	7 / 178	12.75 / 323.85	70°	5 / 127	0.5 / 12.7

Note: These can be mounted FWD or AFT

DUAL MOUNT

* More dual mount options available on page 10.



PMADM1M2, ADAF3, LTBS & LTBLD12



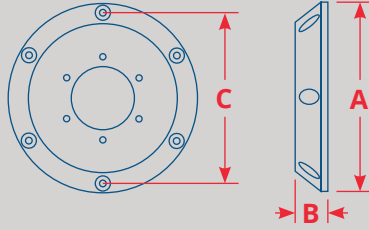
(PMADM4M1, ADAF3, LTBS & LTBLD12)



(PMADM4M1BLK on Pardo Yachts)

TOP DOWN RISER

Designed in cooperation with FLIR / Raymarine engineers. Tested and approved by FLIR / Raymarine as recommended mounting for their night vision cameras.



	CAMERAS		
	FTDR2 inch / mm	FTDR3 inch / mm	FTDR4 inch / mm
A	8.86 / 225	7.75 / 196.85	12.75 / 323.85
B	2 / 50.8	1.5 / 38	2.4 / 60.96
C	8 / 203	7 / 177.8	11.75 / 298.45



The **FTDR2**, **FTDR3** and **FTDR4** mounts allow you to mount FLIR or Raymarine thermal cameras upside down or vertically.

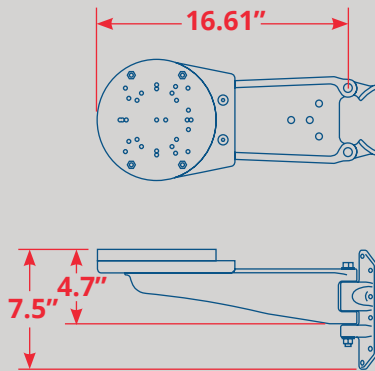
MAST MOUNT

SM14F
SM14F2
SM14F3

Key
1" = 25.4mm



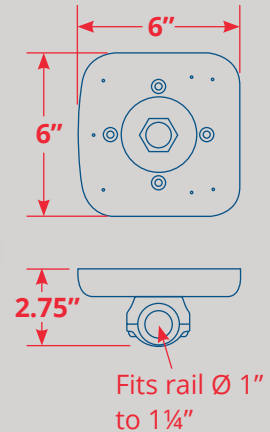
A **SM14F3** mast mount for thermal cameras.



RAIL MOUNT | RMGOL1



A **RMGOL1** rail mount for most lights. Fits rails 1" to 1 1/4" in diameter.



CAMERA & SEARCH LIGHT MOUNT PART # GUIDE

Part #	CAMERA					SEARCH LIGHT							
	FLIR			OMNISENSE		ACR			GOLIGHT	JABSCO	OSCAR		
	MD324, MD625	M132, M232 (Hiko)	M324S, M324L, M324CS, M324XP, M625S, M625L, M625CS, M625XP, M612L, M617CS, M618CS	M300C, M332, M364, M364C, M364CLR	M400, M400XR, M500	Micro, Mini	RCL50, RCL75, RCL100	RCL85	RCL95	RCL300	ALL MODELS	ALL MODELS	Sentry
FTDR2			.										
FTDR3	.												
FTDR4					.								
PM5FMT8			.										
PM5FMD8	.												
PM5FMH8		.											
PM5FM38				.									
PM5SL8						.						.	.
PM5SL85								.					
PM5SL95									.				
PMA5FMH7		.											
PMA12FMH7		.											
PMA5FM37				.									
PMA12FM37				.									
PMA5FMT7	.		.										
PMA12FMT7	.		.										
PMA5FSL7					
PMA12FSL7					
RMGOL1													
SM14F	.		.										
SM14F2		.											
SM14F3				.									

DIRECT MOUNT WEDGES

OPTIMIZES RADAR BEAM



4° direct mount radar wedge



The most common planing attitude is 3-4 degrees. Seaview offers a 4 degree wedge to compensate for the planing attitude. We can provide custom angles upon request.

DIRECT MOUNT ANGLED WEDGES PART # GUIDE

B&G	
3G, 4G, HALO20(+), HALO24	RW42
FURUNO	
DRS4DL, 15" - 20" radar domes	RW41
DRS4D, DRS4DNXT, 24" radar domes	RW46
DRS6A-NXT, 4' - 6' open array radars	RW43
GARMIN	
Fantom18, Fantom24, GMR18(HD), GMR18x(HD), GMR24(HD), GMR24x(HD)	RW42
Fantom 4 & 6, 4' - 6' open array radars	RW43
HUMMINBIRD	
HB2124 Chirp Radar	RW42
RH44, RH45 4' - 6' open array radars	RW45
JRC	
15" radar domes	RW46
24" radar domes	RW45
4' - 6' open array radars	RW45

KODEN	
18" (MDC 900 series) radar domes	RW41
25" (MDC 900 series) radar domes	RW42
Some 4' - 6' open array radars	RW43
HDS10 open array radar	RW45
LORENZ	
12" - 24" radar domes	RW41
4' - 6' open array radar	RW45
LOWRANCE	
3G, 4G, HALO20(+), HALO24	RW42
4' - 6' open array radar	RW45
RAYMARINE	
RD418D, RD418HD, RD424D, RD424HD, Quantum, Quantum 2 radar domes	RW42
RA1048(S)HD, RA3048(S)HD, RA1072(S)HD, RA3072(S)HD, Magnum open array radars, Cyclone	RW44

SIMRAD	
3G, 4G, HALO20(+), HALO24	RW42
4' open array radar (RB7 Series)	RW43
4' Halo™ open array radar	RW47
SITEX	
18" (T760 / T921) radar domes	RW41
24" (T761, MDS12) radar domes	RW46
25" radar domes	RW42
4' - 6' open array radars	RW43

DIMENSIONS



	RW41	RW42	RW43	RW44	RW45	RW46	RW47
	inch / mm	inch / mm	inch / mm	inch / mm	inch / mm	inch / mm	inch / mm
A	0.31 / 7.87	0.53 / 13.46	0.25 / 6.35	0.15 / 3.81	0.25 / 6.35	0.67 / 17.02	0.29 / 7.37
B	0.95 / 24.13	1.40 / 35.56	0.95 / 24.13	0.95 / 24.13	0.77 / 19.56	1.50 / 38.10	1 / 25.4



ADAPTER PLATE

FOR SIMRAD® HALO™ OPEN ARRAY RADAR

This Simrad Halo™ adapter plate is a great solution when replacing an existing Simrad Broadband 3G™, Broadband 4G™, Raymarine or Garmin closed dome radar. Mounting holes pick up existing radar brands mentioned above and the Simrad Halo™ open array. Halo24 works without adapter plate.



Hole pattern for replacing an existing Simrad Broadband 3G™, Broadband 4G™ and other brands of radar.

ADAHALO2 adapter plate



"With new electronics coming out all the time and installations getting even more complex we are always looking for innovative ways to mount everything. For our clients there is nothing worse than simple "bolt ons". Seaview offers a wide variety of options that are customizable and adaptable to meet the needs of virtually every installation with the added bonus of quality and style that are second to none. That is what our customers demand and why Seaview is our solution."

Todd Albrecht
Vice President
Jupiter Marine



Image courtesy of Jupiter Marine.
(Seaview PMADM2M2, ADAS2, SP2MOD,
LTBS & LTBLED12 shown)

MAST PLATFORMS

FOR MOST RADARS & SATDOMES



Solid underbody construction not only greatly improves strength but also hides radar cables.

Predrilled to receive accessories such as a flood light or horn.

ADJUSTABILITY



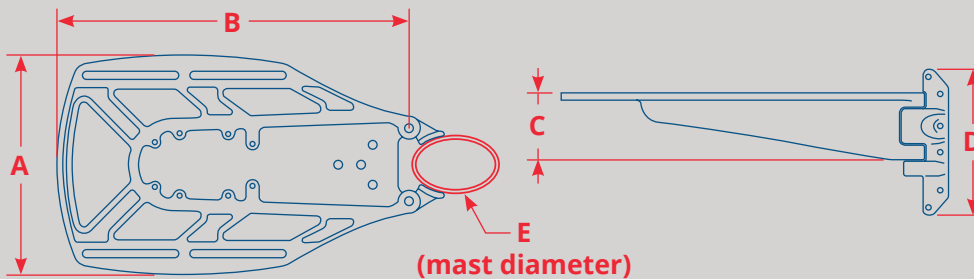
The SM18R is designed with fore and aft adjustable rails so that you can have the radar as close as possible to the mast.

STRENGTH



Six stainless steel rivets with nylon washers to protect powder coat finish per foot are used to hold the heavy duty mounting feet to the mast.

DIMENSIONS



	SM14A inch /mm	SM15A inch /mm	SM18A inch /mm	SM18U inch /mm	SM18R inch /mm	SM24A inch /mm	SM24U inch /mm
A	8.23 / 209	12 / 304.8	18.5 / 469.9	12 / 304.80	11.28 / 286.5	18.50 / 470	11.75 / 298.45
B	15.9 / 403.1	16.25 / 412.75	24.25 / 616	15.65 / 397.51	18.01 / 457.5	24.25 / 616	20 / 508
C	4.11 / 104.4	6 / 152.4	6 / 152.4	3.44 / 87.4	3.44 / 87.4	6 / 152.4	6 / 152.4
D	7.44 / 189	6.50 / 165.1	6.50 / 165.1	7.44 / 189	7.44 / 189	6.50 / 165.1	6.50 / 165.1
E	≥ 2.63 / 66.68	≥ 2.63 / 66.68	≥ 3.63 / 92.08	≥ 2.63 / 66.68	≥ 2.63 / 66.68	≥ 3.63 / 92.08	≥ 3.63 / 92.08

MAST PLATFORM PART # GUIDE

	Mast Mount Part #	Stainless Steel Guard Part #
B&G		
3G, 4G, HALO20(+)	SM18R	SMG18U
HALO24	SM18R	SMG24U
FLIR		
MD324, MD625, M324XP, M324L, M324S, M324CS, M625XP, M625L, M625S, M625CS, M612L, M617CS, M618CS	SM14F	NA
M300C, M332, M364, M364C M364C LR	SM14F3	NA
M132, M232 Series (Hiko)	SM14F2	NA
FURUNO		
DRS4DL, DRS4W	SM18U	SMG18U
SC30, SC703, SC1303	SM24U	NA
DRS4D, DRS4DNXT	SM24U	SMG24U
GARMIN		
GMR18(HD), GMR18x(HD), Fantom18	SM18R	SMG18U
GMR24(HD), GMR24x(HD), Fantom24	SM24U	SMG24U
HUMMINBIRD		
HB2124 Chirp Radar	SM18R	SMG24U
INTELLIAN		
FB150, FB250	SM14A	SMG18U
i2, i3 (FB150 in i3 matching dome)	SM15A	SMG18U
i4, i4P (FB150 in i4 matching dome)	SM18A	SMG18U
i5, i6, i6P, S6HD, FB500, v45C	SM24A	SMG24U
FB150, FB250	SM14A	SMG18U

	Mast Mount Part #	Stainless Steel Guard Part #
JRC		
JUE 250, JUE 33 (14")	SM14A	SMG18U
JMA 1032 (18")	SM18U	SMG18U
JUE 500 (24")	SM24A	SMG24U
JMA-5104, NKE-2042 (24")	SM24U	SMG24U
KODEN		
18" (MDC 900 series) radomes	SM18U	SMG18U
25" (MDC 900 series) radomes	SM24U	SMG24U
KVH		
FB150 (10.8"), FB250 (14"), Fleet 33, Fleet One	SM14A	SMG18U
M1DX, M1, TV1, M2, M3, M3DX, M3ST, V3, V3-IP, TV3, LTE-1, V30	SM15A	SMG18U
M5, TV5, FB250 (18")	SM18A	SMG18U
M7, M7SK, HD7, V7, TV6, FB500 (26"), V3-IP (24"), TV7-IP	SM24A	SMG24U
FB150 (10.8"), FB250 (14"), Fleet33, Fleet One	SM24U	SMG24U
LORENZ		
12" - 24" radomes	SM18U	SMG18U
LOWRANCE		
3G, 4G, HALO20(+)	SM18R	SMG18U
OMNISENSE		
Micro, Mini	SM14F	NA
RAYMARINE		
RD418D, RD418HD	SM18R	SMG18U
RD424D, RD424HD	SM24U	SMG24U
Quantum, Quantum 2 radar	SM18R	SMG24U
33STV, 37STV	SM15A	SMG18U
45STV	SM18A	SMG18U
60STV	SM24A	SMG24U
T200, T300, T400	SM14F	NA

	Mast Mount Part #	Stainless Steel Guard Part #
SEA TEL / COBHAM		
ST14, FX150 (16.5")	SM18A	SMG18U
C18, FX250 (24")	SM24A	SMG24U
SIMRAD		
3G, 4G, HALO20(+)	SM18R	SMG18U
HALO24	SM18R	SMG24U
DX64S	SM24U	SMG24U
SITEX		
18" (T760 / T921) radomes	SM18U	SMG18U
24" (T761, MDS12) radomes	SM24U	SMG24U
25" radomes	SM24A	SMG24U
THRANE & THRANE		
FB150, FB250, Fleet 33, Fleet 33+, Fleet One	SM14A	SMG18U
Sailor FB500, Fleet 55+	SM24A	SMG24U
VDO		
Ocean Line 132 (18")	SM18U	SMG18U
Ocean Line 337 (15")	SM18A	SMG18U
Ocean Line 345 (18")	SM24A	SMG24U
Ocean Line 360, 445, 460 (24")	SM24A	SMG24U

MAST PLATFORM ACCESSORIES



Stainless steel guard for most closed dome radars. Part number **SMG18U** and **SMG24U**. (Refer to guide above)



SMADISO Isomat adapter for boats with Isomat masts (Integral Track at the Front). Fits the following Seaview mast mounts (sold separately): SM18R, SM18U, SM14F, SM14F2 & SM14F3.



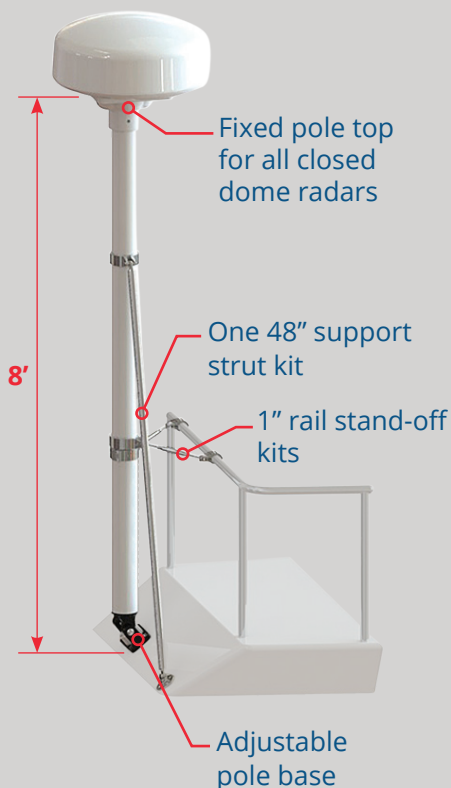
SMADFB Flybridge adapter kit for smaller mast mounts. This kit will allow for up to 35° of adjustment. This kit fits the following Seaview mast mounts (sold separately): SM18R, SM18U, SM14F & SM14F2. (Example: SM18R + SMADFB)

RADAR MAST POLE KITS

RADAR MASTS FOR SAILBOATS & TRAWLERS

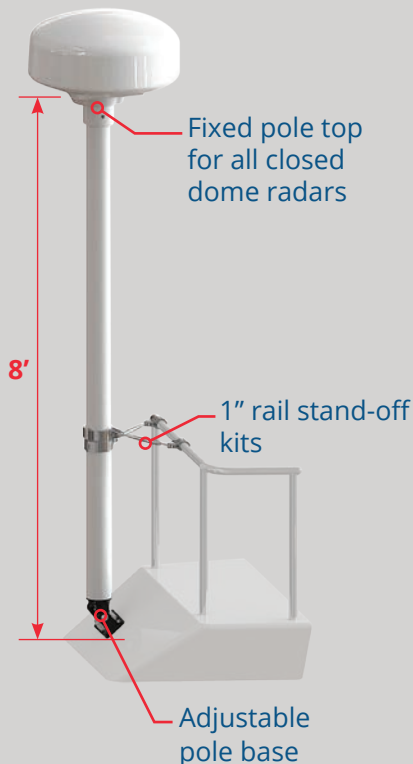
Seaview offers a pole mount for just about any application. Additional sizes are available, please call to special order. The adjustable base has a small 5¼" x 3" footprint, and water tight Seaview Cable Seal, which can be easily disassembled for pole removal.

NOTE: Each pole kit comes with the Seaview modular top, top plate to fit most closed dome radars, 8' pole (3" diameter) and adjustable base with cable seal integration. The only variable between the three common pole kits below are the secondary support kits.



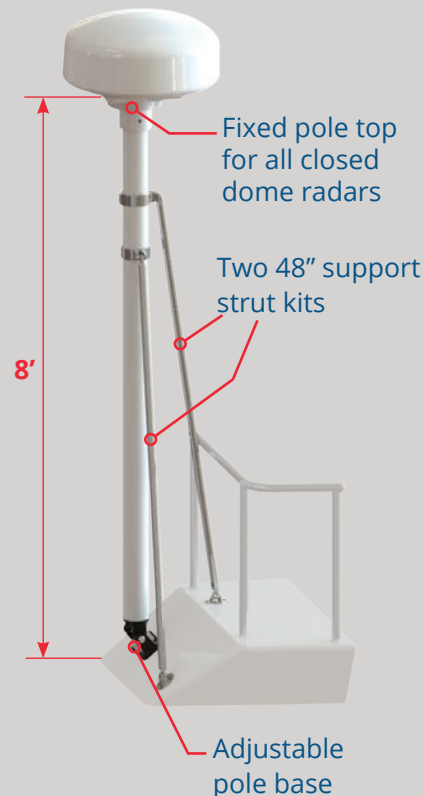
RM8148 8' Tall Kit

- Fixed pole top
- One 48" strut
- One 1" rail stand off kit
- Adjustable base



RM8KT1 8' Tall Kit

- Fixed pole top
- One 1" rail stand off kit
- Adjustable base



RM848S 8' Tall Kit

- Fixed pole top
- Two 48" strut kits
- Adjustable base

NOTE: Top plate included with each pole kit to fit most closed dome radars

8' TALL POLE KIT (For 3" Diameter Mast)

Fixed Top, Adjustable Base, Pole & 48" Strut Kit & One Rail Stand-Off Kit

RM8148

Fixed Top, Adjustable Base, Pole & One Rail Stand-Off Kit

RM8KT1

Fixed Top, Adjustable Base, Pole & Two 48" Strut Kits

RM848S

SAIL PODS - SPOD

FOR MOST INSTRUMENTS & DISPLAYS



PRECISE VIEWING

The Seaview SPOD fits the majority of steering gear in the market place including Jefa, Whitlock and Edson.

- Clamps onto 1", 1½" or 1¼" rails
- Fits standard 12", 9½" & non standard guard rails
- UV resistant ABS plastic
- Water tight gasket
- Tamper resistant security screws



The **SP1BOX** is an add-on accessory that allows you to mount additional instruments to your SPOD. This optional add-on will fit single instruments 4.125" x 4.125" or smaller. Depending on the pod box size you can fit up to 4 of these onto a single SPOD.



Two high polished stainless steel clamps are used to secure your SPOD to a 1", 1½" or 1¼" (25mm to 32mm) rails. The SPOD fits standard 12", 9½" and non standard guard rails.

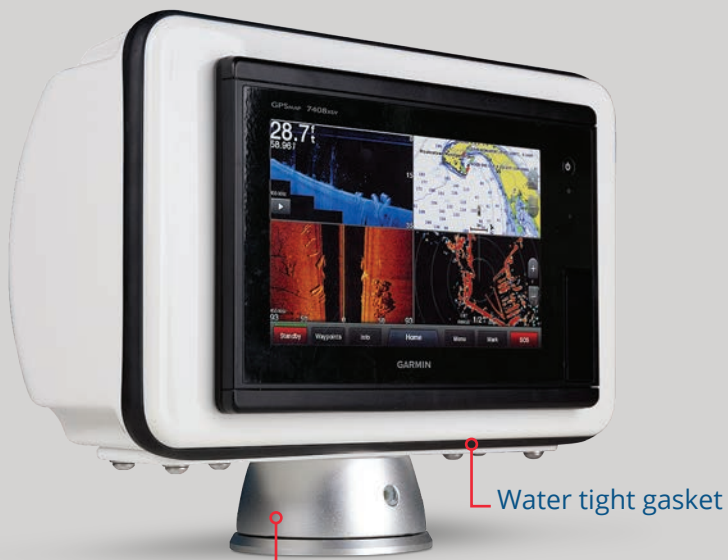
ACHIEVE THE PERFECT VIEW

The SPOD has a wide mounting angle, allowing for precise viewing. Angle is set during installation.



DECK PODS - DPOD

FOR MOST INSTRUMENTS & DISPLAYS



Anodized aluminum rotating base

Tamper resistant screws



QUICK "ON-THE-FLY" ADJUSTMENTS

When you are just about to catch a huge one the last thing you want to worry about is adjusting your fish finder. Quickly and easily rotate the pod housing by hand (no tools required)

- Rotates up to 350°
- Anodized aluminum base
- UV protected ABS plastic housing
- Water tight gasket
- Tamper resistant security screws



Tamper proof screws are used to secure the UV protected ABS plastic housing of the SPOD, DPOD and Rail Pods.

Need help with finding the right SPOD or DPOD for you?

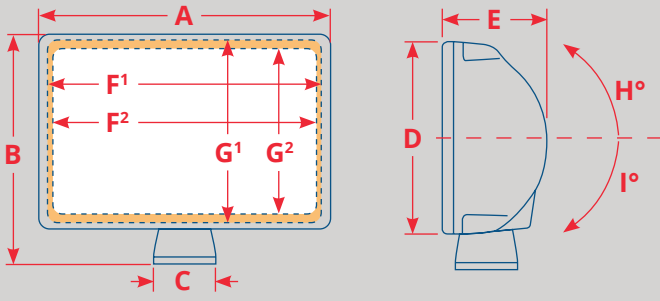
Check out our reference guide on page 31!

The Seaview DPOD is very easy to adjust. Just simply grab the sides of the DPOD and turn either direction. It's perfect for quick adjustments!



SAIL, DECK & RAIL POD

PART NUMBER GUIDE



Note: All pods are uncut. Seaview can pre-cut upon request.

Max Cut Out Area
 Max Usable Face

NOTE: Electronics change often. Please refer to website for most up to date reference guide.

		A	B	C	D	E	F ¹	G ¹	F ²	G ²	H	I
		inch / mm	inch / mm	inch / mm	inch / mm	inch / mm	inch / mm	inch / mm	inch / mm	inch / mm		
SPOD / RAIL POD	Overall Dimensions						Max Usable Face		Max Cut Out Area			
	SP1S	5.04 / 127.97	NA	NA	5.16 / 131.14	3.125 / 79.38	4.63 / 117.47	4.63 / 117.47	4.125 / 104.77	4.125 / 104.77	NA	NA
	SP1S2	5.38 / 136.53	NA	NA	5.38 / 136.53	3.38 / 85.73	5 / 127	5 / 127	4.38 / 111.13	4.38 / 111.13	NA	NA
	SP2S / SP2S1	12.30 / 312.55	NA	NA	7.56 / 191.89	5.08 / 129.03	11.75 / 298.45	7 / 177.80	11 / 279.40	6.125 / 155.57	26°	12°
	SP3S / SP3S1	14.25 / 361.95	NA	NA	9.5 / 241.30	5.15 / 130.73	13.75 / 349.25	9 / 228.60	12.94 / 328.63	8.125 / 206.37	32°	30°
	SP4S	17.5 / 444.50	NA	NA	12.75 / 323.85	5.7 / 144.78	16.94 / 430.23	12.25 / 311.15	16 / 406.40	11.25 / 285.75	10°	7°
	SP5S / SP5S1	15.25 / 387.35	NA	NA	5.5 / 139.70	3.19 / 80.90	14.75 / 374.65	5 / 127	13.88 / 352.42	4.125 / 104.77	6°	6°
DPOD	SP2P	12.30 / 312.55	9.37 / 238	4 / 101.6	7.56 / 191.89	5.08 / 129.03	11.75 / 298.45	7 / 177.80	11 / 279.40	6.125 / 155.57	NA	NA
	SP3P	14.25 / 361.95	11.31 / 287.27	4 / 101.6	9.5 / 241.30	5.15 / 130.73	13.75 / 349.25	9 / 228.60	12.94 / 328.63	8.125 / 206.37	NA	NA
	SP5P	15.25 / 387.35	7.31 / 185.67	4 / 101.6	5.5 / 139.70	3.19 / 80.90	14.75 / 374.65	5 / 127	13.88 / 352.42	4.125 / 104.77	NA	NA

Accessory		A	B	C	D	E	F ¹	G ¹	F ²	G ²	H	I
		inch / mm	inch / mm	inch / mm	inch / mm	inch / mm	inch / mm	inch / mm	inch / mm	inch / mm		
SP1BOX	5.04 / 127.97	NA	NA	5.16 / 131.14	3.125 / 79.38	4.63 / 117.47	4.63 / 117.47	4.125 / 104.77	4.125 / 104.77	NA	NA	
SP1BOX2	5.38 / 136.53	NA	NA	5.38 / 136.53	3.38 / 85.73	5 / 127	5 / 127	4.38 / 111.13	4.38 / 111.13	NA	NA	

PART NUMBER GUIDE

B&G

	SPOD	DPOD	RAIL POD
Triton2	SP1S2	—	SP1S2
Vulcan 5, Vulcan 7, Zeus2 7, Z7, Touch 7, Zeus3, Zeus2 9 (W9), Zeus3 9, H5000	SP2S	SP2P	SP2S1
Z8, Vulcan 9, Vulcan 12, Touch 8	SP3S	SP3P	SP3S1
Zeus2 12 (Z12), Touch 12, Zeus3 12, T12, Zeus2 Glass Helm ZM 16	SP4S	—	—

FURUNO

	SPOD	DPOD	RAIL POD
GP39, GP1670, GP1670F, GP1870, GP1870F, GP1871F, GP1971F GP7800	SP2S	SP2P	SP2S1
GP170, GP170D, GS100, 1623, 1715	SP3S	SP3P	SP3S1
TZTL12F, MFD12	SP4S	—	—

GARMIN

	SPOD	DPOD	RAIL POD
echoMAP 50 series, echoMAP CHIRP 52cv - 54cv, GPSMAP 722, 722xsv, 742, 742xsv, Striker 5, Striker 7, 441, 441S, 527, 547, 620, 640, 720, 721, 723, 723xsv, 740, 741, 741xsv, 743, 743xsv 70s, 7407xsv, 7607xsv, echoMAP 70 & 90 series, echoMAP CHIRP 92sv - 95sv, 75sv, 74sv, 73sv 72sv, 74cv, 73cv, GPSMAP 922, 922xsv, 923, 923xsv, 942, 942xsv, 943, 943xsv, 952xs, 7408xsv, 7608xsv, 62cv, 64cv, 65cv, 72cv, 75cv, 93cv, Striker 9	SP2S	SP2P	SP2S1
ECHOMAP Ultra 100 Series, 820, 840, 4008, 4208, 5008, 5208, 7410xsv, 7610xsv, 7412xsv, 7612xsv, GPSMAP 1022, 1022xsv, 1042xsv, 1223, 1223xsv, 1243, 1243xsv, 8612xsv, 8412xsv, 8610xsv, 8410xsv	SP3S	SP3P	SP3S1
1020, 1040, 8012, 8212, 7416xsv, 7616xsv, 8015, 8215, GPS-MAP 1222, 1222xsv, 1242xsv, 8616xsv, 8416xsv, 8617, 8417	SP4S	—	—

HUMMINBIRD

	SPOD	DPOD	RAIL POD
Helix 5, 50 0 Series, 700 Series, Helix 7, 800 Series, 900 Series	SP2S	SP2P	SP2S1
Helix 9, Helix 10, ONIX 8, ONIX 10	SP3S	SP3P	SP3S1
ION 10, ION 12, 1100 Series, Helix 12, Solix 12, Solix 12Si, Solix 15, Solix 15Si	SP4S	—	—

KODEN

	SPOD	DPOD	RAIL POD
KGP-913MkII, 913MkIID, KGP-915, KGP-925, KGP-920, KGC-222, CVS-126, CVR-010, KTN-70A	SP2S	SP2P	SP2S1
CVS-126, CVR-010	SP3S	SP3P	SP3S1
CVS-128, CVS-128B, MRD-103, MRD-103A	SP4S	—	—

PART NUMBER GUIDE

LOWRANCE

	SPOD	DPOD	RAIL POD
TROPHY-5M, HDS-5, HOOK5, 5X, HDS-7, HDS-7 Gen3, 7M, Elite 7, Elite-5Ti, Elite-7Ti, HDS-9, HDS-9 Gen3, Elite-9Ti, HOOK 7, 7x, HOOK 9, 9x, Elite 9, 9x	SP2S	SP2P	SP2S1
HDS-8, HDS-8M, HDS-10, HDS-10M, HDS-12 Gen2, HDS-12 Gen3, Elite-12Ti	SP3S	SP3P	SP3S1

RAYMARINE

	SPOD	DPOD	RAIL POD
a65, a67, a68, a75, a77, a78, e7, e7D, Axiom 7 (+), eS75, eS77, eS78, c95, c97, e95, e97, Axiom 9 (+), Element 7HV, Element 9HV	SP2S	SP2P	SP2S1
eS97, eS98, a95, a97, a98, gS95, Axiom Pro 9, Axiom 12 (+)	SP3S	SP3P	SP3S1
a125, a127, a128, eS127, eS128, gS125, e165, gS165, Axiom Pro 12, Element 12HV	SP4S	—	—

SIMRAD

	SPOD	DPOD	RAIL POD
NSS7, NSS7 evo2, NSS7 evo3, GO5 XSE, GO7 XSE, GO9 XSE, NSS9 evo2, NSS9 evo3, Cruise5/7/9	SP2S	SP2P	SP2S1
NSS8, NSE8, GO12	SP3S	SP3P	SP3S1
NSS12, NSE12, NSS12 Evo 2, NSS12 Evo 3, MO16-T, MO16-P, NSO Evo3 16	SP4S	—	—

SITEX

	SPOD	DPOD	RAIL POD
SVS-560CF, EC5E, EC5I, EC5FE, EC5FI, SNS 700	SP2S	SP2P	SP2S1
EC7E, EC7I, EC7FE, EC7FI	SP3S	SP3P	SP3S1
EC11, SNS 1100	SP4S	—	—

STANDARD HORIZON

	SPOD	DPOD	RAIL POD
CP150, CP150C, CP155C, CP170C, CP175C, CPN700i, CP190i, CP390i, CPF190i, CPF180i, CPF300i	SP2S	SP2P	SP2S1
CPN1010i, CP1000C	SP3S	SP3P	SP3S1
CP590	SP4S	—	—

ICOM

	SPOD	DPOD	RAIL POD
MA-500TR	SP2S	SP2P	SP2S1
MXD5000	SP4S	—	—

RAIL POD

FOR MOST INSTRUMENTS & DISPLAYS

OPTIMIZE YOUR VIEW

Seaview offers a solution to the age old problem of figuring out where to mount all your instruments on your sailboat. The Rail Pods mount smaller displays and instruments directly to the rail, allowing you to position the instrument where it is most optimal for you.

- Fits 1", 1½" or 1¼" (25mm to 32mm) rails
- Cables routed internally through the clamp and into the rail
- UV protected ABS plastic housing
- Water tight gasket
- Tamper resistant security screws



Held together with tamper resistant security screws



The SP1S rail pod can rotate 360° so that you can set the desired view angle



FAQ's

1. Will Seaview Rail Pod fit my electronic device?

Yes, several pod box sizes to fit your electronic device. Plus with the accessory pod option you are able to mount small screens just about anywhere.

2. Is it easy to install your instrument pods?

Seaview instrument pods are very easy to install and only requires basic tools and a drill.

3. Are these durable?

Yes! Our pods are made from UV resistant ABS plastic. The clamps are made from 316 stainless steel. So you can be sure our pods can withstand the harshest of conditions.

4. Will the instrument pod protect my electronic instrument?

Yes, our instrument pods use a rubber gasket to keep water out. A GORE™ vent also lets hot air out without letting water in. Tamper resistant screws are also used to hold everything together.

5. Are these instrument pods uncut or pre-cut?

For ease of stocking purposes Seaview instrument pods are uncut. We do offer a pre-cut service however.

CABLE SEALS

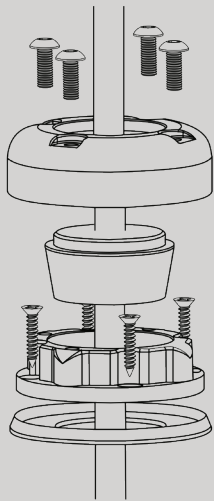
WATERPROOF CABLE ROUTING

The Seaview Cable Seal (also known as CableClams or Deck Seals) provide waterproof cable routing. Made of very strong UV resistant plastic or marine grade 316 stainless steel that come in a variety of colors and finishes (black, white, gray & polished S.S.). Seaview cable seals fit a wide range of cables and connectors.

All Seaview cable seals will work with more than one cable as long as each cable has its own hole and there is at least .125" (31mm) of rubber around each hole.

IPX6 & IPX7 Tested & Approved. What does this mean?

- IPX6 test means these pass 100L/min of water sprayed from 2.5 to 3 meters away for 3 min
- IPX7 test means these pass a 30 minute submersion under 1 meter of water



CABLE SEALS

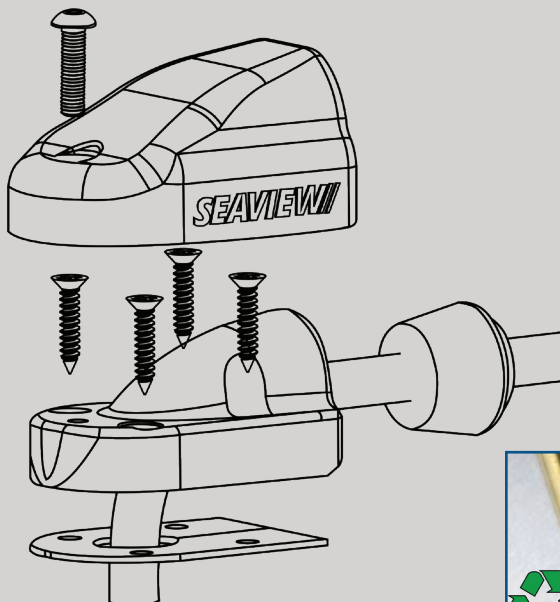
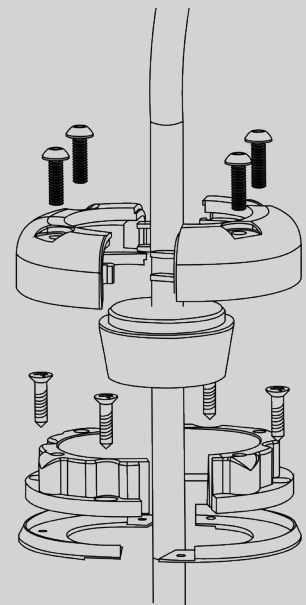
WATERPROOF VERTICAL CABLE ENTRY

- Made of very strong UV resistant plastic or marine grade 316 stainless steel that come in a variety of colors and finishes
- All Seaview cable seals will work with more than one cable

RETROFIT CABLE SEALS

WATERPROOF VERTICAL CABLE ENTRY

- The only guaranteed and proven waterproof installation for your previously installed cables
- No need to re-run your cables, simply install with your cable in place
- Made of very strong UV resistant plastic to fit a wide range of cable sizes



90 DEGREE CABLE SEAL

WATERPROOF HORIZONTAL CABLE ENTRY

- For cables up to 1/2" in diameter or smaller, ideal for almost any installation
- Perfect for rooftop electronics such as solar panels, light bars, lights, etc.
- Available in black UV stable high-impact plastic



Drill Tubes Included!

Each cable seal comes with 4 brass drill tubes (6, 8, 10 & 12mm). These are used to drill very clean and easy holes vs a typical drill bit. Some other brands do come with pre-drilled rubbers but we choose to include metal drill tubes that can be recycled or reused when finished vs the extra rubber pieces that will end up in the landfill from others!

CABLE SEALS

WATERPROOF CABLE ROUTING



IMPROVED DESIGN

Unlike other brands, our inner rubber seal is flush with the top of the cable seal so that so that water, dirt, grime, etc. does not have a place to collect.



HOW DOES IT WORK?



APPLICATIONS

MARINE

- Radars, Sat TV, Cameras, Lights, Antennas, Solar, etc.

AUTO / RV / VAN CONVERSIONS

- Lights, solar panels, Sat TV, antennas, etc.

HOME / INDUSTRIAL

- Paintable outer housings to match house/ building
- Solar panels, lights, antennas, cable, etc.

MISC

- Any application that requires water tight cable entry



Seaview Cable Seals can be used for many applications. The example shown is our Cable Seals used for solar panels on top of wind turbines

FITTING GUIDE

# OF CABLES	CONNECTOR DIAMETER	CABLE DIAMETER	SERIES
CABLE SEALS			
1 or More	Up to 0.81" (20mm)	Up to 0.53" (13.5mm)	CG20 SERIES
1	Up to 0.81" (20mm)	Up to 0.53" (13.5mm)	CG2090
1 or More	Up to 1.38" (34mm)	Up to 1.08" (27.5mm)	CG30 SERIES
Multiple	Up to 0.67" (17mm)	Up to 0.50" (10.6mm)	CGM17 SERIES



Scan QR code for more cable seal information & selector guide.

Seaview Cable Seal installed on the roof of a Van for solar panels.



Retrofit cable seal provides a neat and waterproof solution to pass Starlink's large cable-end through a wall

inteliPlug

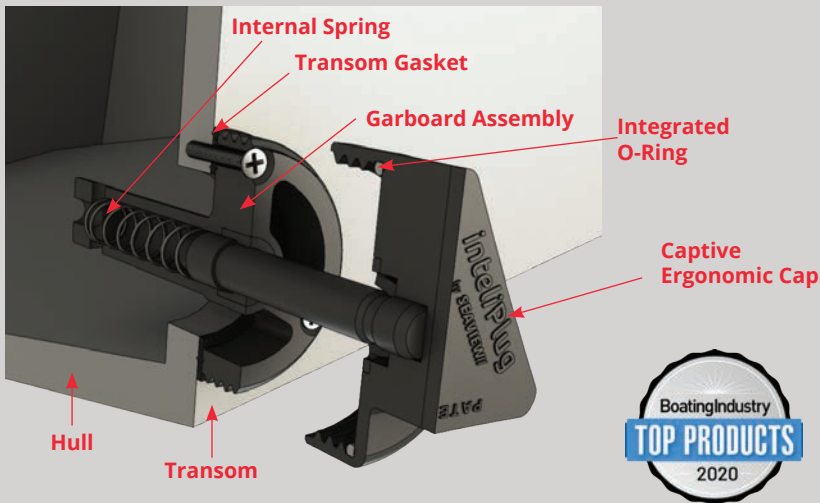
DRAIN PLUG REIMAGINED



Use QR code for more
inteliPlug information

- Triangular ergonomic cap requires no tools, is captive and spring-loaded
- Modified NPT threads form a primary seal combined with the tension of the integrated o-ring for a secondary seal
- Engineered transom gasket, no messy silicone needed
- Approved for all marine environments including salt water
- A direct replacement for the bronze and stainless traditional style garboards
- Large opening in garboard assembly for easy flow/drain
- Manufactured from glass fiber reinforced ABS to increase strength and flexibility. Increases fatigue endurance, resistance to high and low temperatures and resistance to abrasion

INTELIPLUG DRAIN PLUG



inteliPlug Pro

- Captive Drain Plug
- Garboard Assembly
- Engineered Transom Gasket
- **Part # SVIPPRO**



inteliPlug Pro X

- Captive Drain Plug
- Garboard Assembly
- Engineered Transom Gasket
- Proximity Sensor & Deutsch Plug Pigtail
- **Part # SVIPPROX**



inteliPlug Pro XT

- Captive Drain Plug
- Garboard Assembly
- Engineered Transom Gasket
- Proximity Sensor & Deutsch Plug Pigtail
- Plug & Play Wire Harness & Alarm Panel
- **Part # SVIPPROXT**



VAULT PLUGS

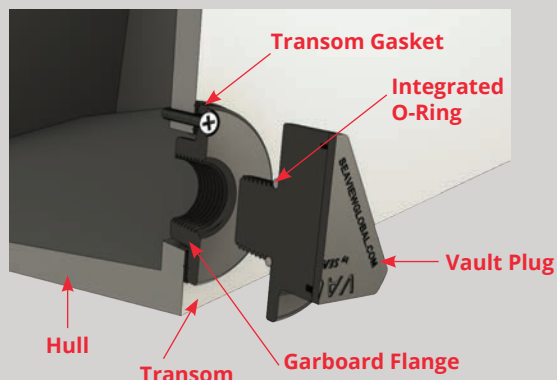
GUARD AGAINST SINKING



Use QR code for more
Vault Plug information

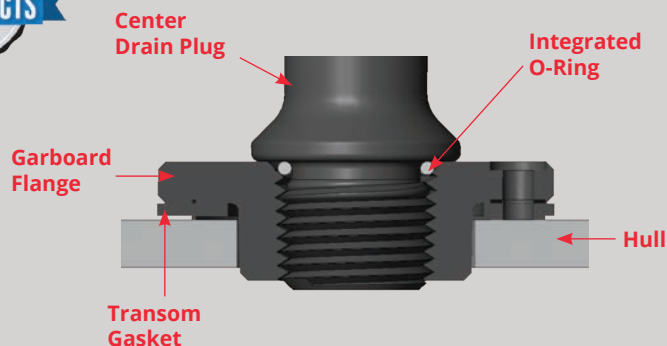
- Triangular ergonomic cap, no tools required
- NPT backup O-ring for a water tight fit
- The matching garboard utilizes an engineered transom gasket in place of messy silicone
- Approved for all marine environments including salt water
- Floats if accidentally dropped in the water
- Fits all 1/2 NPT brass and stainless transom garboards
- Manufactured from glass fiber reinforced ABS to increase strength and flexibility. Increases fatigue endurance, resistance to high and low temperatures and resistance to abrasion

VAULT TRANSOM DRAIN PLUG



VAULT CENTER DRAIN PLUG

• 8 inch total length for better reach



VAULT Transom Drain Plug

- Drain Plug Only
- Part # SV101V (ABS+GF)
- Part # SV101VSS (316 S.S.)



VAULT Center Drain Plug

- Center Drain Plug Only
- Part # SV102VC (ABS+GF)
- Part # SV102VCSS (316 S.S.)



VAULT Pro Transom Drain Plug

- Drain Plug
- Garboard Flange and Gasket
- Part # SV101VP (ABS+GF)
- Part # SV101VPSS (316 S.S.)



VAULT Center Pro Drain Plug

- Center Drain Plug Only
- Garboard Flange and Gasket
- Part # SV102VCP (ABS+GF)
- Part # SV102VCPSS (316 S.S.)



“As a semi-custom yacht builder, Kadey-Krogen Yachts requires vendors to provide superior quality products, custom built to order and within the needed timeframe to keep our production moving. Seaview does all that, while also providing excellent engineering support and customer service support before and after the product is complete.”

Tom Button
VP Operations
Kadey-Krogen Yachts, Inc.



Image courtesy of Kadey Krogen.
(Seaview builds arches and masts for Kadey Krogen)



Image courtesy of Protector USA Inc.

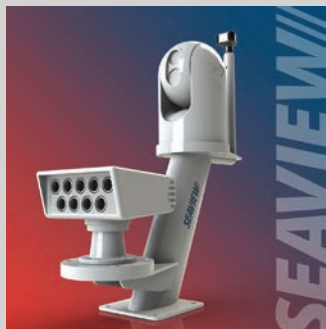
“Seaview provides our customers with a simple and elegant solution for our boats. Seaview has also provided us with very punctual service when it comes to custom modifications to their mounting solutions.”

Andrew Carleton
Protector USA Inc.

PERSONALIZED OPTIONS

COMPLETE PERSONALIZED MOUNTS FOR RECREATIONAL BOATS

Seaview can custom fabricate a mount specific to your personal design and needs. Our expert design team can turn your ideas into a reality. By utilizing our experience, skills and software we can provide you with the ability to visualize your design with multiple viewing angles using interactive 3-D models. Costly mistakes can be avoided and difficult to foresee aesthetic decisions can be made prior to fabrication. With our experienced team of fabricators and well equipped facility we can handle whatever project you bring our way. It is our guarantee that our work will be done with quality in mind. Artistic design and functionality partnered with technology based fabrication is groundwork for excellence in our products.



MODEL 57



MODEL 58



MODEL 59



MODEL 61



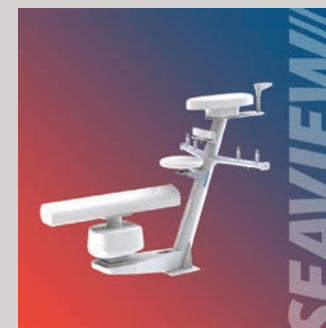
MODEL 63



MODEL 64



MODEL 66



MODEL 67



A Seaview custom arch
for a Beneteau 58

PERSONALIZED OPTIONS

COMPLETE PERSONALIZED MOUNTS FOR RECREATIONAL BOATS



MODEL 70



MODEL 71



MODEL 72



MODEL 78



MODEL 81



MODEL 82

For more examples visit our website at
www.seaviewglobal.com

“What a pleasure it’s been working with Jason and the team at Seaview on the mast for my new Intrepid 407. After much internet and boat show searching, I could not find a mast that I thought was a good fit for my new 40’ Intrepid. Jason worked with both Intrepid and me to design and construct a super high quality mast that exceeded all expectations. The mast looks great, folds to allow clearance below nearby bridges and is home to a Myriad of electronics that in the past, would have been spread around the hardtop.”

Nick Vanoff
Intrepid 407



41 PERSONALIZED MAST OPTIONS

“Seaview worked closely with us to supply a mast with our fairly extensive custom modification requests.”

Gary Johnson
Applied Engineering Manager
Navatek Ltd.



Image courtesy of Navatek Ltd.
(Custom Seaview mast made for Navatek Ltd.)

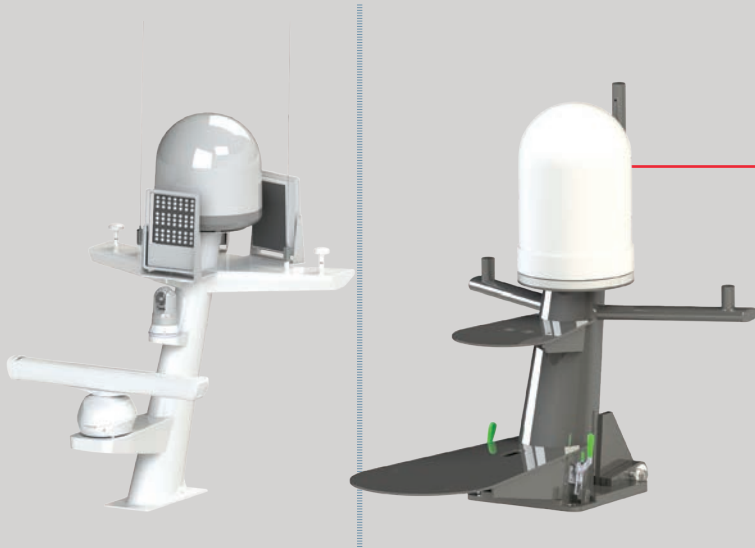


Seaview Custom Mount
for Maryland Police.

COMMERCIAL MARINE MASTS

MOUNTING SOLUTIONS FOR COMMERCIAL MARINE MARKETS

For over 20 years Seaview has been designing and manufacturing mounting solutions for commercial, industrial, governmental agencies, military and Coast Guard applications. A few mast examples are shown below. We can provide a 3D design to fit your application within 48 hours, and a completed mount in 4 weeks depending on design.



“HCB Yachts makes the world’s largest center console yacht and is the only true luxurious center console yacht on the water. Excellent engineering, thoughtful design and partnering with premier vendors has allowed HCB Yachts to build exceptional products that surpass expectations. Choosing to partner with Seaview is a clear choice because of our mutual commitment to quality, innovation and providing the best user-experience. Seaview continually delivers on-time, reliable and attractive products that compliment our custom builds and their customer service has earned our business for years to come.”

KRISTA SCHIPNER
Account Director
HCB Yachts

HCB Yachts Estrella 65
Seaview Tapered Mast with Spreaders &
Low Profile Satdome Adapters.
Image Courtesy of HCB Yachts.

“Seaview has been an excellent company for Furuno to work with for a number of years. Their off the shelf solutions have been fool-proof and we don’t hesitate to recommend them for any boater. It’s a very responsible company. Jason and the Seaview team recently helped us on very short notice with a one-off, custom mount for a tricky demonstration and it went off on-time, under budget and without any problems at all. You can be confident you’re getting great products and great support with Seaview!”

Matt Wood
National Sales Manager
Furuno USA



TESTIMONIALS

SEAVEIV IS PROUD TO SUPPORT THE WORLD'S LEADING MARINE ELECTRONIC MANUFACTURERS. HERE IS WHAT SOME OF THEM HAVE TO SAY ABOUT US!



Raymarine®

"Seaveiv has been a tremendous help to Raymarine USA on all of our demonstration boat projects. These high-performance boats make appearances at boat shows, industry events, fishing tournaments, on TV, and at lots of other high-impact events. Both consumers and members of the boating press and media come onboard to see the latest Raymarine technologies in-action.

We rig them to be "dream boats" with every conceivable option and technology. Seaveiv's flexible line of electronics mounting solutions makes it easy to fit our full system including radar, satellite TV and thermal night vision. Their customizable masts and mounts are rugged, reliable and they look fantastic too. They blend seamlessly with the design of today's modern sport-fishing boats and look totally built-in, not bolt-on. That's really appreciated by the boat builders we work with on these projects too.

Another thing that always impresses is Seaveiv's ability to deliver their systems quickly and accurately. No matter what combination of scanners, sensors and antennas I need to mount topsides, Seaveiv's team always seems to have the correct parts ready to go, and they deliver them on-time. The Seaveiv team is truly a pleasure to work with."

Jim McGowan
Americas Marketing Manager
FLIR Maritime and Raymarine



GARMIN™

"Garmin is proud to work with Seaveiv and we'd recommend them as a partner to do business with. In today's market, customer expectations are at an all-time high and aesthetics and functionality are at the forefront. Seaveiv has a proven track record of consistently delivering a professional and reliable product, and because of that, Garmin incorporates their products as often as we can in our demo boats and trade show displays."

David Dunn
Garmin Sr. Manager Marine Sales & Marketing

SI-TEX KODEN



"We have been working with Seaveiv for a number of years now. Whenever a customer calls our SI-TEX Customer Service department and asks us to recommend a supplier for a Radar Antenna Mount, we instantly recommend Seaveiv. Our experience working with Seaveiv makes us very confident that they will have the right radar antenna mount for the customers installation no matter what type of boat it is or the size of the radar antenna.

Jason, and the staff at Seaveiv go above and beyond researching all of our different SI-TEX and Koden radar antennas each year to make sure they will always have the right product for our customers."

Allen Schneider
Vice President
SI-TEX Marine Electronics



SIMRAD

"From fit to finish, SEAVEIV offers up the cleanest and best solutions for mounting on both my sail and power boat. Plus they are always bringing in great ideas like their new folding running light option! From tapered masts to deck seals to electronics pods, Seaveiv also has all the right parts to make the fit perfect and professionally eye catching. Add in excellent technical and customer service, my boat would not have anything mounted without SEAVEIV!"

Steve Hamber
Business Development/Sales Training, Americas, Navico



FURUNO

"Seaveiv has been an excellent company for Furuno to work with for a number of years. Their off the shelf solutions have been fool-proof and we don't hesitate to recommend them for any boater. It's a very responsible company. Jason and the Seaveiv team recently helped us on very short notice with a one-off, custom mount for a tricky demonstration and it went off on-time, under budget and without any problems at all. You can be confident you're getting great products and great support with Seaveiv!"

Matt Wood
National Sales Manager
Furuno USA

Riviera 78 Motor Yacht.
Image courtesy of Riviera Australia Pty Ltd
(Seaview Custom Mast for Riviera)



Intellian

"Intellian is happy to work with Seaview to provide our customers with a professional, stylish and cost effective mounting solution for the complete range of Satellite TV and Communication products."

Paul Comyns
VP Global Marketing
Intellian

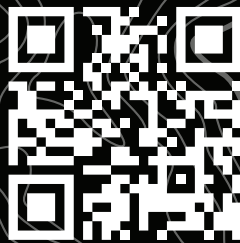
KVHI[®]



"Our customers have nothing but great things to say about Seaview products. They are well designed and look great, complimenting many of our KVH antennas well. With all the mounting options available for KVH products, Seaview is the recommended choice for any installation."

Ryan Smith
Leisure Marine - National Sales Manager
KVH Industries, Inc.

WWW.SEAVIEWGLOBAL.COM



SEAVIEW//

USA OFFICE

Tel: 509-795-0977
Toll Free: 800-655-7922
www.seaviewglobal.com

EUROPEAN OFFICE

Tel: +33 4 94 53 27 70
www.seaviewprogress.com

