

# Marine Accessories



<b>Introduction</b>	
Cummins Onan Marine Generators .....	1
<b>Sound Shields and Belt Guards</b>	
Sound Shields .....	2
Belt Guards .....	3
<b>Electrical System Accessories</b>	
Set-Mounted Gauges and Displays .....	4
Network Interface Modules .....	5
Remote Panels, Gauges and Displays .....	7
Harnesses .....	10
Isolated Ground Conversions .....	15
AC Transfer Switches .....	16
DC Terminal Boot Kit .....	17
Low Coolant Level Switch .....	18
Low/High Oil Level Switch .....	19
AC Output Breakers .....	20
Batteries .....	23
Alternator Space Heater .....	24
Manual Voltage Control .....	25
<b>Power Take Off Conversions .....</b>	<b>26</b>
<b>Vibration Isolators .....</b>	<b>28</b>
<b>Cooling System Accessories</b>	
Siphon Break .....	29
Raw Water Inlet Conversions .....	30
Keel Cooling Conversions for Wet and Dry Exhaust .....	32
Keel Cooling Expansion Tank .....	34
Coolant Heater .....	35
<b>Exhaust Accessories</b>	
Exhaust Outlet Conversions .....	36
Wet Exhaust Mufflers, Water Separators, Resonators .....	38
Wet Exhaust Hose and Elbow .....	46
Dry Exhaust Conversion, Mufflers, Flexible Exhaust Tubes .....	49
<b>Fuel System Accessories</b>	
Fuel System Connection Kits .....	53
Fuel Water Separator .....	54
Auxiliary Electric Fuel Pump .....	55
<b>Service Part</b>	
Cruise Kits .....	56
Paint .....	57
<b>Part Number Index .....</b>	<b>58</b>

# Introduction

## Cummins Onan Marine Generators

This catalog lists all accessories for the Cummins Onan QD™ Series Marine Generator Set models below.

Spec sheet number	kW (50/60 Hz)	Model
<b>QD (Quiet Diesel) Series</b>		
A-1475	4/5 kW QD	MDKBH
A-1556	6/7.5 kW QD	MDKBJ
A-1476	7/9 kW QD	MDKBL
A-1477	7/9 kW QD Space Saver	MDKBK
A-1478	9.5/11.5 kW QD	MDKBM
A-1479	11/13.5 kW QD	MDKBN
A-1480	13.5/17 kW QD	MDKBP
A-1481	17.5/21.5 kW QD	MDKBR
A-1537	19/23 kW QD	MDKBV
A-1494	22.5/27.5 kW QD	MDKBT
A-1488	27/32 kW QD	MDKBU
A-1560	35kW QD 50 Hz	MDDCK
A-1461	40 kW QD 60 Hz	MDDCA
A-1462	55 kW QD 60 Hz	MDDCB
A-1466	65 kW QD 60 Hz	MDDCC
A-1467	80 kW QD 60 Hz	MDDCD
A-1468	99 kW QD 60 Hz	MDDCE
A-1469	40 kW QD 50 Hz	MDDCF
A-1470	50 kW QD 50 Hz	MDDCG
A-1471	65 kW QD 50 Hz	MDDCH
A-1472	80 kW QD 50 Hz	MDDCJ

An index by part number is located in the back of the catalog. Specifications subject to change without notice.

For a list of accessories related to obsolete models; contact your nearest distributor/dealer.

# Sound Shields and Belt Guards

## PART NUMBER

A030G027 Sound Shield  
A030G030 Sound Shield  
A030G295 Sound Shield  
A030K475 Sound Shield  
A030J441 Sound Shield  
A030J443 Sound Shield  
A030J146 Sound Shield

## Spec Sheet Description

Sound shield housing

## Description

Sound shield with insulated panels, and multiple access ports for all of the necessary connections and maintenance items including lifting eye access.

## Benefits

Steel panel construction with insulation for optimum noise reduction capability. Lifting eye access allows convenient handling of the set installation. The sound shield is easily added to the genset after it is installed.

## Installation

If the generator is equipped with a PTO it will be necessary to install the applicable PTO (refer to the PTO section) sound shield kit as well as the main sound shield kit. Models MDDCA/B/C/D/E/F/G/H/J/K may also need an exhaust elbow extension. See Parts Manual for details.

## Kit Includes

For models MDKBL/M/N/P/R/V/T/U: Engine end panels, roof, service and non-service side doors (all finish painted parts and decals in place), assembly hardware and instruction sheet.

For models MDDCA/B/C/D/E/F/G/H/J/K: Control and engine end panels, roof, service and non-service side doors (all finish painted parts and decals in place), assembly hardware and instruction sheet.



## Compatibility

Part No.	Models	Instruction Sheet
A030G027	MDKBL (spec F and later)	G-669
A030G030	MDKBM/N (spec F and later)	G-669
A030G295	MDKBP/R (spec E and later) MDKBV (spec B and later)	G-669
A030K475	MDKBT/U (spec B and later)	G-724
A030J441	MDDCA/F/K (spec B and later)	G-663
A030J443	MDDCB/C/G (spec B and later)	G-663
A030J146	MDDCD/E/H/J (spec B and later)	G-663

## Instruction Sheet

See chart above.

## PART NUMBER

- 0541-0590 Belt Guard
- 0541-1650-01 Belt Guard
- 0541-1650-02 Belt Guard
- 0541-1280-01 Belt Guard
- 0541-1128-01 Belt Guard

## Spec Sheet Description

Not listed on spec sheet

## Description

A belt guard is required when the sound shield is removed. It covers the belt and pulley at front of engine and protects the operator.

## Benefits

This kit allows conversion of a set equipped with a sound shield to an unshoused version. The sound shield components removed from the set, including hardware, can be stored for future use in converting an unshoused genset to a housed set.

## Installation

If the generator is equipped with a PTO it will be necessary to install the applicable PTO belt guard kit (refer to the PTO section).

## Compatibility

Part No.	Models	Instruction Sheet
0541-0590	MDKBL/M/N	M-108
0541-1650-01	MDKBP/R (negative ground) (spec D and later) MDKBV (negative ground) (spec A and later)	M-108
0541-1650-02	MDKBP/R (isolated ground) (spec D and later) MDKBV (isolated ground) (spec A and later)	M-108
0541-1280-01	MDKBT/U	G-724
0541-1128-01 G-669	MDDCA/B/C/D/E/F/G/H/J/K	



0541-0590

## Kit Includes

Belt guard, assembly hardware, instruction sheet.

## Instruction Sheet

See chart.

# Electrical System Accessories

## PART NUMBER

0300-6363-03 Set-Mounted Cummins Onan Digital Display

## Spec Sheet Description

Set-mounted Cummins Onan Digital Display

## Description

Weather protected plastic enclosure with a graphical LCD display.

## Benefits

If the display is not ordered with the genset, this kit makes it easy to add the display in the field. This display is also available for remote mounting, Remote Mounted Digital Display on page 9.

## Compatibility

This kit is for use with MDKBL/M/N/P/R/V/T/U.

## Installation

This kit replaces the start/stop switch panel on the control box. Up to three displays can be connected to one generator.

## Kit Includes

Display assembly, mounting bracket and instruction sheet.

## Instruction

C-671



0300-6363-03

## PART NUMBER

0541-1195-01 SAE J1939 Network Interface Module

0541-1195-03 SAE J1939 Network Interface Module

### Spec Sheet Description

SAE J-1939 CAN data link

### Description

If the network interface module is not ordered with the genset, this kit makes it easy to add it in the field.

### Benefits

Provides genset information on a J1939 data link for monitoring generator set status and diagnostics for engine and alternator. Transmitted data includes: AC voltage, AC frequency, coolant temperature, oil pressure, battery voltage, hours, pre-alarm and fault information.

### Compatibility

Part No.	Models
0541-1195-01	MDKBH/J
0541-1195-03	MDKBK/L/M/N/P/R/V/T/U

### Installation

Kit 0541-1195-01 mounts to the outside of the sound shield (see outline drawing for more information). A SAE J1939 capable display needs to be programmed to display genset information.

### Kit Includes

Network interface module, harness, mounting hardware, and instruction sheet.

### Instruction Sheet

C-679



0541-1195-01

## Electrical System Accessories

### PART NUMBER

0541-1195-02 SmartCraft Network Interface Module

0541-1195-04 SmartCraft Network Interface Module

### Spec Sheet Description

SmartCraft Networked™ data link

### Description

If the network interface is not ordered with the genset, this kit makes it easy to add it in the field.

### Benefits

Provides genset information on a SmartCraft Networked™ data link for monitoring generator set status and diagnostics for engine and alternator. Transmitted data includes: AC voltage, AC frequency, coolant temperature, oil pressure, battery voltage, hours, pre-alarm and fault information.

### Compatibility

Part No.	Models
0541-1195-02	MDKBH/J
0541-1195-04	MDKBK/L/M/N/P/R/V/T/U

### Installation

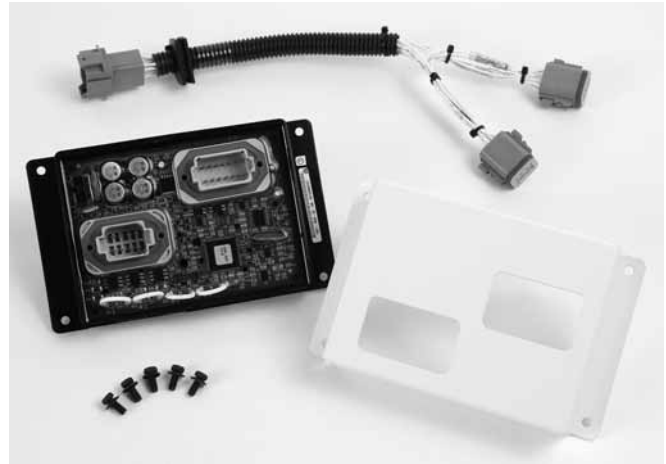
Kit 0541-1195-02 mounts to the outside of the sound shield (see outline drawing for more information). A SmartCraft capable display and compatible generator adaptor harness is available through Cummins MerCruiser Diesel.

### Kit Includes

Network interface module, harness, mounting hardware, and instruction sheet.

### Instruction Sheet

C-679



0541-1195-02



**PART NUMBER**

- 0300-5725-01 Basic Remote Panel 12 V
- 0300-5725-02 Basic Remote Panel 24 V
- 0300-5899-01 Basic Remote Panel 12 V
- 0300-5899-02 Basic Remote Panel 24 V

**Spec Sheet Description**

Basic remote panel with start/stop switch with run (green) and control status/diagnostic indicator (amber) lamps

**Description**

Basic remote start/stop switch panel. Plastic panel (black) with dual lamp start/stop momentary switch pre-wired to an 8-pin Deutsch sealed connector.

**Benefits**

This remote panel allows the operator to start or stop the generator from a convenient location, remote from the generator. The start/stop switch has built-in dual lamps: the green lamp indicates the generator is operating normally; the amber flashing lamp indicates a diagnostic code for convenient troubleshooting. Panel must be plugged into generator control with suitable extension harness.

**Compatibility**

These kits are for use with all QD Series generator sets. Select either 12 or 24 Vdc depending upon your genset configuration.

**Kit Includes**

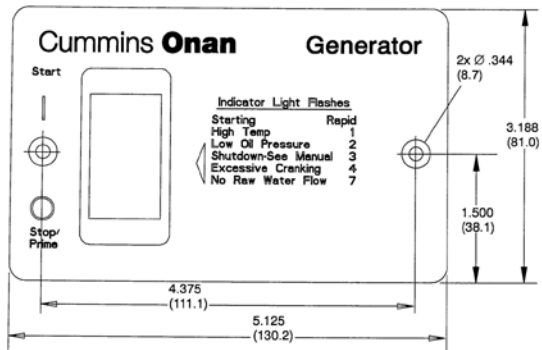
Panel assembly with connector, two #6 x 1.0 in wood screws for mounting, instruction sheet.

**Instruction Sheet**

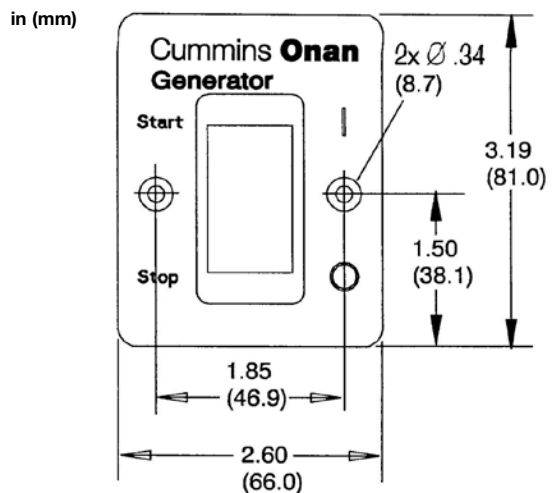
C-605



0300-5725-01, -02



0300-5725-01, -02



0300-5899-01, -02

## Electrical System Accessories

### PART NUMBER

0300-5727-01 Deluxe Remote Panel 12 V

0300-5727-02 Deluxe Remote Panel 24 V

### Spec Sheet Description

Deluxe remote panel with start/stop switch with run (green) and control status (amber) lamps and hour meter

### Description

Deluxe remote start/stop switch with hour meter. Plastic panel (black) with dual lamp start/stop momentary switch and hour meter pre-wired to an 8-pin Deutsch sealed connector. Also includes an hour meter to indicate accumulated hours of operation. Refer to the hour meter on the genset control for exact hours of operation.

### Benefits

A plug-and-play assembly with a start/stop switch with built-in dual lamps to indicate when the set is running: the green lamp indicates the generator is operating normally; the amber flashing lamp indicates a diagnostic code for convenient troubleshooting. Panel must be plugged into generator control with suitable extension harness. Also included is a service hour meter for ease of logging generator set operation hours. There is a hour meter in the genset-mounted control that could be logged separately to monitor service intervals if desired.

### Compatibility

These kits are for use with all QD Series generator sets. Select either 12 or 24 Vdc depending upon your genset configuration.

### Kit Includes

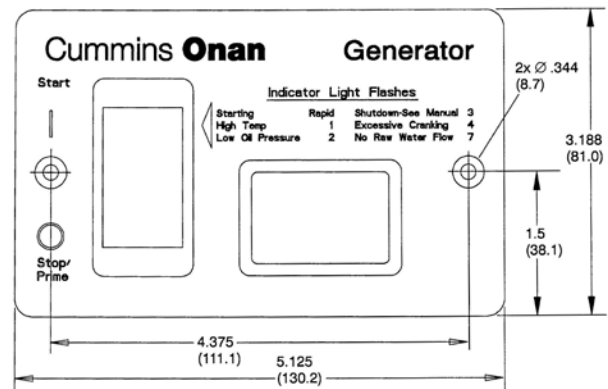
Start/stop switch, adapter harness, hour meter and panel assembly, mounting wood screws (#6 x 1.0 in long), instruction sheet.

### Instruction Sheet

C-605



0300-5727-01, -02



in (mm)

## PART NUMBER

**0541-1130 Remote-Mounted Cummins Onan Digital Display**

### Spec Sheet Description

Cummins Onan Digital Display graphical LCD remote display for genset operating parameters and diagnostics

### Description

Weather protected plastic enclosure with a graphical LCD display and two 8-pin Deutsch connectors.

### Benefits

Plug-and-play assembly with start/stop buttons and LED lights that provide genset status at a glance. The LCD has digital readout of AC voltage, AC frequency, coolant temperature, oil pressure, battery voltage, and hours. It will also provide a pre-alarm warning for high coolant temperature and low oil pressure alerting the operator of a potential failure. If the genset shuts down due to a fault, the LCD will provide a description of the fault along with the fault number and the run time hours that the fault occurred. The display will also list the last five faults that occurred.

### Installation

Up to three displays can be connected to one generator. Requires 4.8 inches (123 mm) mounting depth.

### Compatibility

This kit is for use with:  
MDKBH/J/K/L/M/N  
MDKBP/R/V/T/U  
MDDCA/B/C/D/E/F/G/H/J/K

### Kit Includes

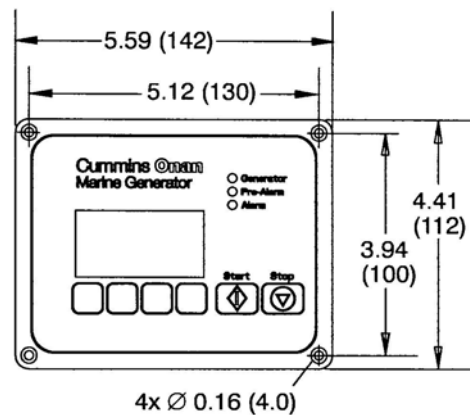
Display assembly, four mounting screws, instruction sheet.

### Instruction Sheet

G-574



0541-1130



in (mm)

## Electrical System Accessories

### PART NUMBER

0541-0941-01 Harness Kit-Remote Start/Stop Switch with Connector 12 V

0541-0941-02 Harness Kit-Remote Start/Stop Switch with Connector 24 V

### Spec Sheet Description

Remote start/stop switch with dual lamps and mating harness only for panel installation

### Description

Basic remote start/stop switch—Switch (black) with dual lamp start/stop momentary switch pre-wired to an 8-pin Deutsch sealed connector for use with available extension harnesses ranging in length from 15 feet (4.5 meter) to 150 feet (45.7 meter).

### Benefits

A plug-and-play assembly with a start/stop switch and mating adapter harness for customer to install in any customized remote panel. The switch has built-in dual lamps: the green lamp indicates the generator is operating normally; the amber flashing lamp indicates a diagnostic code for convenient troubleshooting. Switch must be plugged into the generator set control with a suitable extension harness. Also included is a separate label (76 x 90 mm; 3 x 3.5 in) with operating instructions and fault codes for diagnosis for operator convenience. Label has a black background with white text.

### Kit Includes

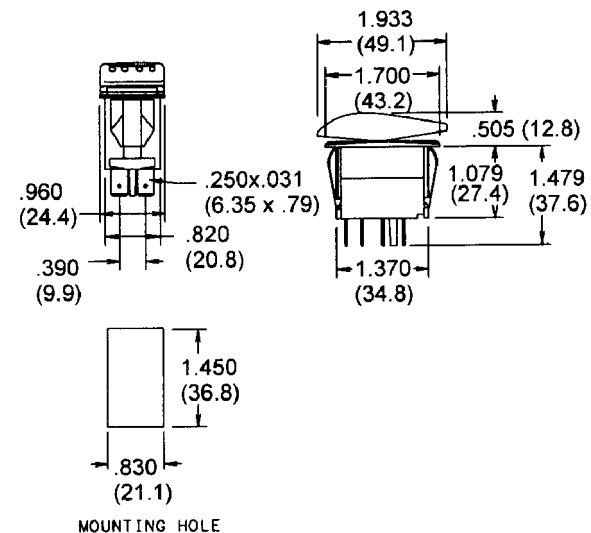
Start/stop switch, adapter harness, genset operating instructions label, instruction sheet.

### Instruction Sheet

C-605



0541-0941-01, -02



in (mm)

### Compatibility

These kits are for use with all QD Series generator sets. Select either 12 or 24 Vdc depending upon your genset configuration.

### PART NUMBER

- 0338-3167 Remote Panel Harness 15 ft (4.5 m)
- 0338-3168 Remote Panel Harness 25 ft (7.6 m)
- 0338-3169 Remote Panel Harness 45 ft (13.7 m)
- 0338-3169-01 Remote Panel Harness 75 ft (22.8 m)
- 0338-3169-02 Remote Panel Harness 100 ft (30.4 m)
- 0338-3169-03 Remote Panel Harness 150 ft (45.6 m)

### Spec Sheet Description

Remote panel wire harness—15 ft, 25 ft, 45 ft, 75 ft 100 ft or 150 ft

### Description

Remote panel wire harness—15 ft (4.5 m), 25 ft (7.6 m), 45 ft (13.7 m), 75 ft (22.8 m), 100 ft (30.4 m) or 150 ft (45.6 m)

These harnesses have 8 wires terminated at both ends with sealed Deutsch connectors that plug into the generator set control connector and various Cummins Onan remote panel accessories described in this catalog. The wire bundle is held together by cable ties every 10-14 inches.

### Benefits

Easy, plug and play connection between genset and remote panel.

### Installation

When installed, the wire bundle should be protected through the boat so that it does not get damaged from contact with other machinery or personnel. The minimum hole diameter for either end of the harness to be passed through is 1.7 in (43 mm).

### Compatibility

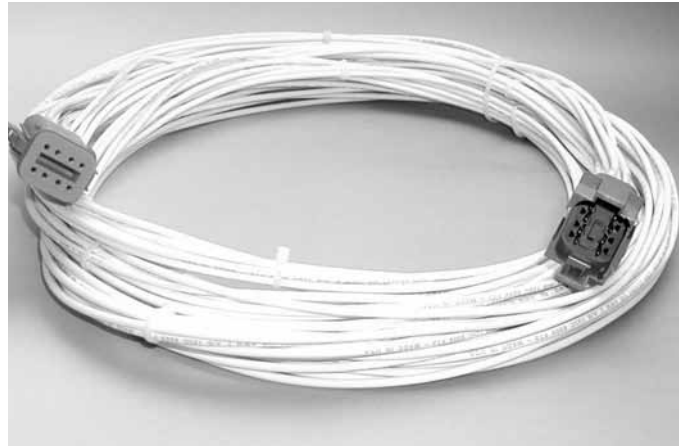
These kits are for use with all QD Series generator sets.

### Kit Includes

Harness assembly.

### Instruction Sheet

None



0338-3167

## Electrical System Accessories

### PART NUMBER

**0338-4016 Harness Y Adapter for Remote Dual Stations**

### Spec Sheet Description

Y adapter harness for dual remote stations

### Description

Harness consists of 2 x 8-pin watertight, Deutsch receptacles with 8 wires connected to an 8-pin watertight, Deutsch plug.

### Dimensions

8 in (203 mm) between connections.

### Benefits

Converts the control single remote to two remote connectors. Allows connection of two remote stations (only one with remote gauges) to the genset control with suitable extension harness.

### Compatibility

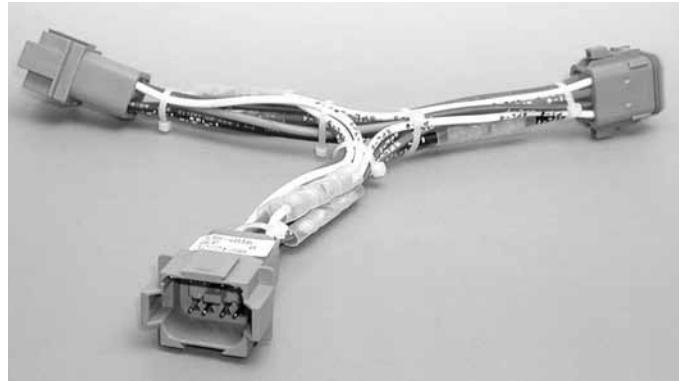
This kit is for use with all QD Series generator sets.

### Kit Includes

Harness assembly.

### Instruction Sheet

None



0338-4016

### **PART NUMBER**

**0338-4017 Harness—Pigtail at Remote Panel**

### **Spec Sheet Description**

Remote station harness pigtail

### **Description**

Harness consists of an 8-pin watertight, Deutsch receptacle with 8 wires (16 AWG) labeled 1 through 8, each 8 in (203 mm) long. Installer should butt splice connections on the loose end to make the necessary extensions.

### **Benefits**

This harness plugs into the Cummins Onan remote panel accessories described in this catalog and allows installer to splice extensions to connect between the genset and remote panel.

### **Compatibility**

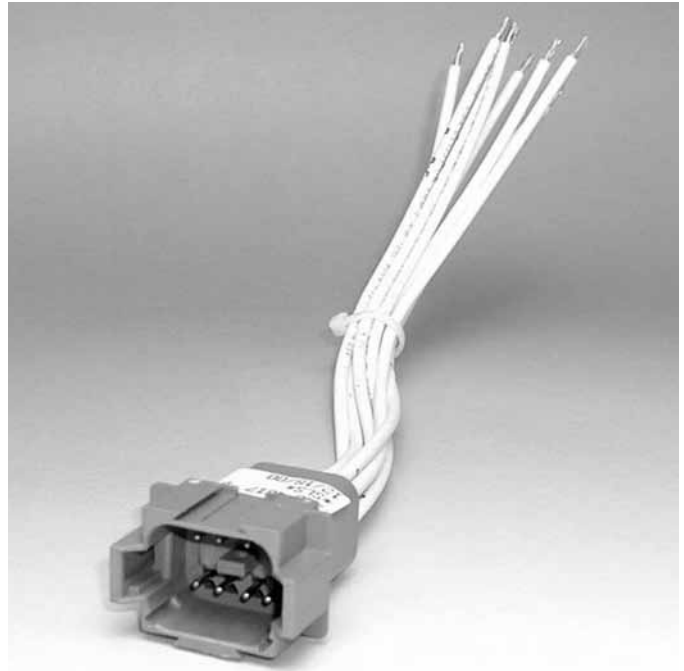
This kit is for use with all QD Series generator sets.

### **Kit Includes**

Remote control pigtail.

### **Instruction Sheet**

None



0338-4017

## Electrical System Accessories

### PART NUMBER

0338-4223 Harness—Pigtail at Genset (8 ckt)

0338-4500 Harness—Pigtail at Genset (12 ckt)

### Spec Sheet Description

Remote station harness pigtail

### Description

Harness consists of a watertight, Deutsch plug with 8 or 12 wires (16 AWG), each 8 in (203 mm) long. Installer should splice connections on the loose end to make the necessary extensions.

### Benefits

This harness plugs in to the remote connector at the the genset and allows installer to splice extensions to connect the genset and remote panel.

### Compatibility

0338-4223 is for use with all QD Series generator sets

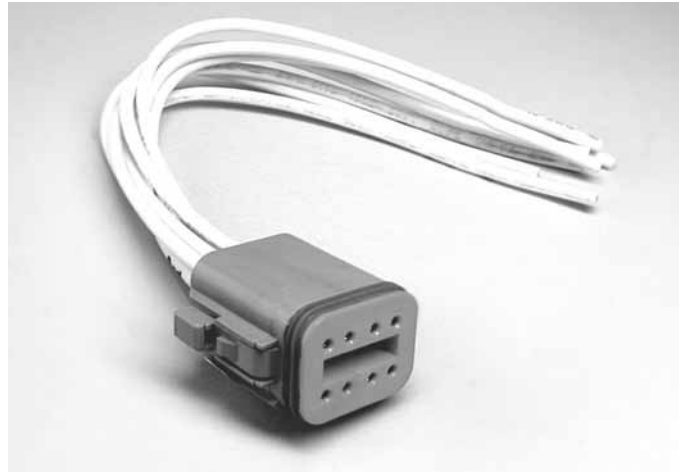
0338-4500 is for connection J12 on MDDCA/B/C/D/E/F/G/H/J/K

### Kit Includes

Harness

### Instruction Sheet

None



0338-4223



**PART NUMBER**

- 0300-5464 Isolated Ground Conversion 12 V
- 0541-0822 Isolated Ground Conversion 12 V
- 0541-0823 Isolated Ground Conversion 12 V
- 0541-0824 Isolated Ground Conversion 24 V

**Spec Sheet Description**

12 or 24 V isolated ground conversion kit, no battery charging 12 V isolated DC control conversion kit

**Description**

This kit isolates the genset DC control system from the engine block which is bonded to the genset grounding lug. Isolation involves replacing oil pressure sensor, replacing water temperature sensor, and installing a relay that connects ground and B- during preheat and cranking only.

**Benefits**

When the genset is off or running, the DC system is isolated from the boats hull by disconnecting the engine block from B-. When the set is starting and during pre-heat, the engine block is connected to B-.

**Compatibility**

Part No.	Models
0300-5464 (12 V)	MDKBH/J (not with option H647)
0541-0822 (12 V)	MDKBL/L/M/N
0541-0823 (12 V)	MDKBP/R/V
0541-0824 (24 V)	MDKBP/R/V



0300-5464

**Installation**

The battery charging alternator will be disconnected when installing kits 0541-0823 and 0541-0824.

**Kit Includes**

Oil pressure sensor, water temp sensor, relay, wire and miscellaneous hardware, instruction sheet.

**Instruction Sheet**

M-107 for 0300-5464; G-541 for 0541-0822/3/4

## Electrical System Accessories

### PART NUMBER

0308-0269 2-Wire 120 V AC Manual Transfer Switch

0308-0270 3-Wire 120/240 V AC Manual Transfer Switch

### Spec Sheet Description

Ship-to-shore selector switch, single phase, 2- or 3-wire output

### Description

AC manual transfer switch. Rated at 600 V and 63 Amps.

### Dimensions

0308-0270 4.5 in (114.3 mm) square panel x 6.75 in (171.5 mm) deep overall.

0308-0269 4.5 in (114.3 mm) square panel x 4.1 in (104.1 mm) deep overall.

### Benefits

Switch allows load to be switched to either shore power or genset power and keeps the genset isolated from shore power.

### Compatibility

Part No.	Models
0308-0269 (2 wire systems less than 63 Amps)	MDKBH/J
0308-0270 (3 wire systems less than 63 Amps)	MDKBH/J/K/L/M/N

### Kit Includes

Rotary selector switch and instruction sheet.

### Instruction sheet

A-185



0308-0269

### **PART NUMBER**

**0332-3771 DC Terminal Boot Kit**  
(for battery connections at bulk head)

### **Spec Sheet Description**

Bulk head battery terminal boots

### **Description**

Rubber insulating boots fit wire with insulation diameter up to .55 in (14 mm). Generally fits wire from 8 to 1/0 AWG.

### **Benefits**

These are protective covers for the bulk head battery connection. The exposed battery connection should be protected from accidental contact with tools or metal objects that would cause arcing.

### **Compatibility**

This kit is for use with all QD Series generator sets.

### **Kit Includes**

One black boot and one red boot.

### **Instruction Sheet**

None



0332-3771

## Electrical System Accessories

### PART NUMBER

0300-4686-01 Low Coolant Level Switch Kit

### Spec Sheet Description

Low coolant level safety shut-off switch

### Description

Provides continuous monitoring of the coolant level in the engine block. If the level falls below a pre-set level for more than 10 seconds the genset control activates a shutdown and indicates fault code 59. Operator should repair any leak and add coolant as appropriate. Please use operator's manual instructions for adding coolant.

### Benefits

The genset is equipped with a recovery bottle with recommended coolant level indication gauge. The switch adds additional protection against operation with low coolant level.

### Compatibility

This kit is for use with:  
MDK BK/L/M/N (not with dry exhaust)  
MDK BP/R/V/T/U

### Kit Includes

Switch assembly, 3/4 in to 1/4 in NPT reducer bushing and instruction sheet.

### Instruction Sheet

C-492



0300-4686-01

### **PART NUMBER**

**0123-2252 Low/High Oil Level Switch**

### **Spec Sheet Description**

Low and high oil level indicator and shutdown

### **Description**

Oil level switch mounted to genset frame with high and low level indicators.

### **Benefits**

The switch interfaces with the genset control system to protect the engine from too much or too little lubrication oil.

### **Compatibility**

This kit is for use with:  
MDDCA/B/C/D/E/F/G/H/J/K

### **Kit Includes**

Oil level switch, mounting brackets, hoses, mounting hardware, and instruction sheet.

### **Instruction Sheet**

G-635



0123-2252

## Electrical System Accessories

### PART NUMBER

0320-1666-XX AC Output Breakers

0320-1689-XX AC Output Breakers

0320-1836-XX AC Output Breakers

0320-1891-XX AC Output Breakers

0320-2332-XX AC Output Breakers

0541-0946-XX AC Output Breakers

### Spec Sheet Description

Line circuit breakers for field conversion of frequency or AC voltage output

### Description

Trip free, hydraulic magnetic trip recognized per UL1077 and CSA certification. Interrupting capacity is 1000 amps (3 pole is 5000 Amps) at 0.5 PF, 50/60 Hz; 65 VDC (RES). Pulse tolerance: 20 times rated current for 8 milliseconds. Ignition protected per USCG Requirement CFR-33-183.410 or UL1500.

### Benefits

Main line circuit breakers come standard on these model gensets but, in many cases, when the voltage or frequency is changed, the circuit breaker also must be changed. These kits allow easy conversion of the circuit breaker in the field.

### Compatibility

The tables below list the recommended circuit breaker for each model per voltage code.

### Kit Includes

Individual circuit breaker.

### Instruction Sheet

None



0320-1689-12

Continued on next page.

## Electrical System Accessories

Continued from previous page.

Voltage Code	Description	MDKBH	Amps	MDKBJ	Amps	MDKBL/BL	Amps	MDKBM	Amps	MDKBN	Amps
R041(50Hz)	115/230V, 1 ph., 3 wire	0320-1666-51	20	0320-1666-52	30	0320-1689-04	30	0320-1689-07	45	0320-1689-08	50
R046(50Hz)	110/220V, 1 ph., 3 wire	0320-1666-51	20	0320-1666-52	30	0320-1689-04	30	0320-1689-07	45	0320-1689-08	50
R086(60Hz)	120V, 1 ph., 2 wire	0320-1666-51	20	0541-0946-01	70	0320-1689-13	75	0320-1689-17	95	0320-2332-01	115
R104(50Hz)	120/240V, 1 ph., 3 wire	0320-1666-51	20	0320-1666-53	25	0320-1689-04	30	0320-1689-07	45	0320-1689-08	50
R104(60Hz)	120/240V, 1 ph., 3 wire	0320-1666-51	20	0320-1666-54	35	0320-1689-06	40	0320-1689-07	45	0320-1689-09	55
R110(50Hz)	220V, 1 ph., 2 wire	0320-1666-51	20	–	–	0320-1689-04	30	0320-1689-07	45	0320-1689-08	50
R039(60Hz)	100V, 1 ph., 2 wire	0320-1666-53	25	–	–	–	–	–	–	–	–
R117(50Hz)	230V, 1 ph., 2 wire	0320-1666-51	20	–	–	–	–	–	–	–	–

Voltage Code	Description	MDKBP	Amps	MDKBR	Amps	MDKBV	Amps	MDKBT	Amps	MDKBU	Amps
R104(60Hz)	120/240, 1 ph., 3 wire	0320-1689-12	70	0320-1689-16	90	0320-1689-18	100	0320-2332-01	115	0320-2332-02	125
R041(50Hz)	115/230, 1 ph., 3 wire	0320-1689-10	60	0320-1689-14	80	0320-1689-15	85	0320-1689-18	100	0320-2332-01	115
R046(50Hz)	110/220, 1 ph., 3 wire	0320-1689-10	60	0320-1689-14	80	0320-1689-16	90	0320-1689-18	100	0320-2332-02	125
R104(50Hz)	120/240, 1 ph., 3 wire	0320-1689-10	60	0320-1689-13	75	–	–	0320-1689-18	100	0320-2332-01	115
R110(50Hz)	220V, 1 ph., 2 wire	0320-1689-10	60	0320-1689-14	80	0320-1689-16	90	0320-1689-18	100	0320-2332-02	125
R002(60Hz)	277/480, 3 ph., 4 wire	0320-1891-01	25	0320-1891-04	35	0320-1891-04	35	0320-1891-07	45	0320-1891-10	50
R003(60Hz)	240/416, 3 ph., 4 wire	0320-1891-02	30	0320-1891-08	40	0320-1891-08	40	0320-1891-10	50	0320-1891-11	55
R003(50Hz)	240/416, 3 ph., 4 wire	0320-1891-01	25	0320-1891-02	30	0320-1891-04	35	0320-1891-08	40	0320-1891-10	50
R004(50Hz)	110/190, 3 ph., 4 wire	0320-1836-09	55	0320-1836-12	70	0320-1836-13	75	0320-1836-16	90	0320-1836-18	100
R020(60Hz)	127/220, 3 ph., 4 wire	0320-1836-10	60	0320-1836-13	75	0320-1836-14	80	0320-1836-17	95	0320-1836-18	100
R023(60Hz)	255/440, 3 ph., 4 wire	0320-1891-02	30	0320-1891-08	40	0320-1891-04	40	0320-1891-10	50	0320-1891-11	55
R023(50Hz)	255/440, 3 ph., 4 wire	0320-1891-01	25	0320-1891-02	30	–	–	–	–	–	–
R028(50Hz)	110/220, 3 ph., 4 wire	0320-1836-07	45	0320-1836-10	60	0320-1836-11	65	0320-1836-13	75	0320-1836-16	90
R029(50Hz)	230/400, 3 ph., 4 wire	0320-1891-01	25	0320-1891-04	35	0320-1891-04	35	0320-1891-07	45	0320-1891-10	50
R050(50Hz)	115/200, 3 ph., 4 wire	0320-1836-08	50	0320-1836-11	65	0320-1836-12	70	0320-1836-15	85	0320-1836-18	100
R067(60Hz)	139/240, 3 ph., 4 wire	0320-1836-09	55	0320-1836-11	65	0320-1836-12	70	0320-1836-15	85	0320-1836-18	100
R071(50Hz)	115/230, 3 ph., 4 wire	0320-1836-07	45	0320-1836-09	55	0320-1836-10	60	0320-1836-13	75	0320-1836-15	85
R098(60Hz)	120/208, 3 ph., 4 wire	0320-1836-10	60	0320-1836-13	75	0320-1836-14	80	0320-1836-18	100	0320-1836-19	110
R098(50Hz)	120/208, 3 ph., 4 wire	0320-1836-08	50	0320-1836-11	65	0320-1836-12	70	0320-1836-14	80	0320-1836-17	95
R099(50Hz)	220/380, 3 ph., 4 wire	0320-1891-01	25	0320-1891-04	35	0320-1891-08	40	0320-1891-07	45	0320-1891-10	50
R099(60Hz)	220/380, 3 ph., 4 wire	–	–	–	–	–	–	0320-1891-11	55	A030T129	60
R106(60Hz)	120/240, 3 ph., 4 wire	0320-1836-09	55	0320-1836-11	65	0320-1836-12	70	0320-1836-15	85	0320-1836-18	100
R106(50Hz)	120/240, 3 ph., 4 wire	0320-1836-07	45	0320-1836-09	55	0320-1836-10	60	0320-1836-12	70	0320-1836-15	85

## Electrical System Accessories

### PART NUMBER

0320-1960-XX AC Output Breakers

0320-2346-XX AC Output Breakers

0320-2347-XX AC Output Breakers

0541-1132-01 Circuit Breaker Mounting Kit

0541-1132-02 Circuit Breaker Mounting Kit

### Spec Sheet Description

Set-mounted main line circuit breakers for field conversion of AC voltage output

### Description

Thermal-magnetic circuit breakers are built in accordance with UL 489 and CSA C22.2 No. 5.1 Standard.

### Benefits

These kits allow easy conversion of the circuit breaker in the field when the output voltage is changed.

### Compatibility

The table below lists the recommended circuit breaker for each model per voltage code.

### Installation

The circuit breaker mounting kit must be ordered with the circuit breaker.

0541-1132-01 is for use with 0320-2346-XX and 0320-2347-XX breakers

0541-1132-02 is for use with 0320-1960-XX breakers

### Kit Includes

Kits 0320-2346-XX, 0320-2347-XX and 0320-1960-XX include a circuit breaker. Kits 0541-1132-01/2 includes mounting hardware, leads and instruction sheet.

### Instruction Sheet

G-642 for 0541-1132-01, -02

Voltage Code	Description	MDDCA	Amps	MDDCB	Amps	MDDCC	Amps	MDDCD	Amps	MDDCE	Amps
R104 (60Hz)	120/240, 1 ph., 3 wire	0320-2347-02	225	0320-1960-11	250	0320-1960-06	300	0320-1960-04	400	0320-1960-02	500
R002 (60Hz)	277/480, 3 ph., 4 wire	0320-2346-09	80	0320-2346-07	100	0320-2346-06	125	0320-2346-05	150	0320-2347-03	200
R003 (60Hz)	240/416, 3 ph., 4 wire	0320-2346-08	90	0320-2346-06	125	0320-2346-05	150	0320-2347-04	175	0320-2347-02	225
R020 (60Hz)	127/220, 3 ph., 4 wire	0320-2347-04	175	0320-2347-02	225	0320-1960-11	250	0320-1960-06	300	0320-1960-05	350
R023 (60Hz)	255/440, 3 ph., 4 wire	0320-2346-09	80	0320-2346-06	125	0320-2346-05	150	0320-2347-04	175	0320-2347-03	200
R067 (60Hz)	139/240, 3 ph., 4 wire	0320-2346-05	150	0320-2347-03	200	0320-2347-01	250	0320-1960-06	300	0320-1960-05	350
R098 (60Hz)	120/208, 3 ph., 4 wire	0320-2347-04	175	0320-2347-01	250	0320-1960-11	250	0320-1960-06	300	0320-1960-04	400
R106 (60Hz)	120/240, 3 ph., 4 wire	0320-2346-05	150	0320-2347-03	200	0320-2347-01	250	0320-1960-06	300	0320-1960-05	350

Voltage Code	Description	MDDCF	Amps	MDDCG	Amps	MDDCH	Amps	MDDCJ	Amps	MDDCK	Amps
R041 (50Hz)	115/230, 1 ph., 3 wire	0320-2347-02	225	0320-1960-11	250	0320-1960-06	300	0320-1960-04	400	0320-2347-53	200
R046 (50Hz)	110/220, 1 ph., 3 wire	0320-2347-02	225	0320-1960-11	250	0320-1960-05	350	0320-1960-04	400	0320-2347-53	200
R104 (50Hz)	120/240, 1 ph., 3 wire	0320-2347-02	225	0320-1960-11	250	0320-1960-06	300	0320-1960-04	400	0320-2347-53	200
R003 (50Hz)	240/416, 3 ph., 4 wire	0320-2346-08	90	0320-2346-06	125	0320-2346-05	150	0320-2347-04	175	0320-2346-59	80
R004 (50Hz)	110/190, 3 ph., 4 wire	0320-2347-03	200	0320-2347-01	250	0320-1960-06	300	0320-1960-05	350	0320-2347-54	175
R023 (50Hz)	255/440, 3 ph., 4 wire	0320-2346-09	80	0320-2346-07	100	0320-2346-05	150	0320-2347-04	175	0320-2346-60	70
R028 (50Hz)	110/220, 3 ph., 4 wire	0320-2347-04	175	0320-2347-03	200	0320-1960-11	250	0320-1960-06	300	0320-2346-55	150
R029 (50Hz)	230/400, 3 ph., 4 wire	0320-2346-08	90	0320-2346-06	125	0320-2346-05	150	0320-2347-04	175	0320-2346-59	80
R050 (50Hz)	115/200, 3 ph., 4 wire	0320-2347-04	175	0320-2347-02	225	0320-1960-11	250	0320-1960-05	350	0320-2347-54	175
R071 (50Hz)	115/230, 3 ph., 4 wire	0320-2346-05	150	0320-2347-03	200	0320-2347-01	250	0320-1960-06	300	0320-2346-55	150
R098 (50Hz)	120/208, 3 ph., 4 wire	0320-2347-04	175	0320-2347-02	225	0320-1960-11	250	0320-1960-06	300	0320-2346-55	150
R099 (50Hz)	220/380, 3 ph., 4 wire	0320-2346-07	100	0320-2346-06	125	0320-2346-05	150	0320-2347-03	200	0320-2346-58	90
R106 (50Hz)	120/240, 3 ph., 4 wire	0320-2346-05	150	0320-2347-03	200	0320-2347-01	250	0320-1960-06	300	0320-2346-55	150



## PART NUMBER

0416-0796 Battery 12 V-660 CCA

0416-0823 Battery 12 V-620 CCA

## Spec Sheet Description

Battery

## Description

Battery required for generator set starting and operation of a 12 volt engine electric system. All batteries are shipped dry. Order electrolytes from your Cummins Onan distributor.

## Benefits

Maintenance free type, wet lead acid battery, 12-volt nominal voltage unless noted otherwise.

## Compatibility

Part #	0416-0796	0416-0823	Minimum CCA rating required
Model			CCA @ 0° F (-17.8° C)
MDKBH/L/K	x	x	360
MDKBM/N/P	x	x	500
MDKBV/T/U	x	-	625
MDDCA/B/C/F/G	x	-	640
MDDCD/E/H/J/K	-	-	800

## Installation

See Installation manual for installation details.

## Kit Includes

Battery

## Instruction Sheet

None



0416-0796

## Dimensions

Part #	0416-0796	0416-0823
Plates/Cell	16	17
Battery Volts	12	12
Battery capacity-CCA @ 0° F (-17.8° C)	660	620
Length (inch)	13.0	13.5
Width (inch)	6.8	6.8
Height (inch)	9.4	9.2
BCI Group	31	30H
Ship Weight lb (kg)	62 (28.1)	42 (19)

## Electrical System Accessories

### PART NUMBER

0300-4434 Alternator Space Heater, 120 VAC  
0300-4435 Alternator Space Heater, 240 VAC  
0333-0445 Alternator Space Heater, 110–125 VAC  
0333-0446 Alternator Space Heater, 220–260 VAC

### Spec Sheet Description

Anti-condensation resistance heater, 120 V or 240 V, 100W

### Description

100W resistance heater mounts inside the alternator. Terminal box mounts to outside of alternator housing.

### Benefits

Prevents corrosion due to condensation when the unit is not running.

### Compatibility

Part No.	Models	Instruction Sheet
0300-4434 (120 VAC)	MDKBT/U	C-449
0300-4435 (240 VAC)	MDKBT/U	C-449
0333-0445 (110-125 VAC)	MDDCA/B/C/D/E/F/G/H/J/K	C-437
0333-0446 (220-260 VAC)	MDDCA/B/C/D/E/F/G/H/J/K	C-437

### Installation

Requires external power source to terminal box.

### Kit Includes

Cartridge heater, terminal box, wiring, mounting hardware, and instruction sheet.

### Instruction Sheet

See chart above.



0333-0445

### **PART NUMBER**

**0541-1155 Manual Voltage Control**

### **Spec Sheet Description**

Manual voltage regulator

### **Description**

Set mounted manual voltage regulator.

### **Benefits**

Hand controlled excitation system for emergency operation.

### **Compatibility**

This kit is for use with MDDCA/B/C/D/E/F/G/H/J/K.

### **Installation**

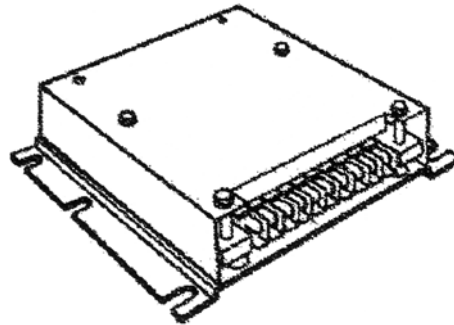
Requires factory installed option B184 (PMG and Newage AVR).

### **Kit Includes**

Manual voltage control, mounting hardware, harness and instruction sheet.

### **Instruction Sheet**

C-670



0541-1155  
Representative diagram

# Power Take Off Conversions

## PART NUMBER

- 0541-1648-01 PTO Clutch Assembly 12 V
- 0541-1648-02 PTO Clutch Assembly 24 V
- 0541-1275-01 PTO Clutch Assembly 12 V
- 0541-1275-02 PTO Clutch Assembly 24 V
- 0541-1280-02 PTO Belt Guard
- 0541-1650-03 PTO Belt Guard
- 0541-1650-04 PTO Belt Guard
- 0541-1473 PTO Sound Shield “C” Front Panel
- 0541-1395 PTO Sound Shield “C” Front Panel

## Spec Sheet Description

Front power take-off (PTO) clutch with torsional coupling.

## Description

PTO flexible coupling electric clutch to direct drive accessories. SAE ‘B’ spline 13T 16/32 DP, 2 or 4 bolt pump mount.

## Benefits

The PTO Clutch Assembly connects to drive accessories such as windlass or hydraulic thrusters. The net available power varies by model and is limited by the maximum engine horsepower and maximum clutch engagement RPM (see the table below).

## Net Available Power, HP (kWm)

	at 1500 rpm	at 1800 rpm
MDKBP	26 (19.4)	31.2 (23.4)
MDKBR/V (26.8)	30.6 (22.8)	36
MDKBT/U	40 (29.8)	40 (29.8)

## Installation

Gensets without sound shield require belt guard kit. Gensets with sound shield require “C” front panel.

## Instruction Sheet

See compatibility chart.



0541-1473

## Kit Includes

0541-1648-0X and 0541-1275-0X  
Clutch, instruction sheet, and mounting hardware.

0541-1280-02 and 0541-1650-0X  
Belt guard, instruction sheet, and brackets and hardware.

0541-1473 and 0541-1395  
Front sound shield panel, PTO shield, and hardware.

## Compatibility

Part No.	Models	Instruction Sheet
0541-1648-01	12 VDC MDKBP/R (spec D and later) 12 VDC MDKBV	G-475
0541-1648-02	24 VDC MDKBP/R (spec D and later) 24 VDC MDKBV	G-475
0541-1275-01	12 VDC MDKBT/U	G-475
0541-1275-02	24 VDC MDKBT/U	G-475
<b>Belt Guard</b>		
0541-1650-03	Neg. Gnd. MDKBP/R (spec D and later) MDKBV Neg Ground	G-669
0541-1650-04	Iso. Gnd. MDKBP/R (spec D and later) MDKBV Iso Ground	G-669
0541-1280-02	MDKBT/U	G-724
<b>Sound Shield “C” Front Panel</b>		
0541-1473	MDKBP/R/S (spec B and later); MDKBV	G-669
0541-1395	MDKBT/U	G-724

## PART NUMBER

- 0541-1133-01 PTO Clutch Assembly, 12 V, 70 hp
- 0541-1133-02 PTO Clutch Assembly, 24 V, 70 hp
- 0541-1133-03 PTO Clutch Assembly, 12 V, 100 hp
- 0541-1133-04 PTO Clutch Assembly, 24 V, 100 hp
- 0541-1139-01 PTO Mount Assembly
- 0541-1139-02 PTO Mount Assembly
- 0541-1128-02 PTO Belt Guard
- 0541-1140 PTO Sound Shield "C" Front Panel

## Spec Sheet Description

Front power take off clutch with torsional coupling; 12 V or 24 V, 70 or 100 hp.

## Description

The PTO has a flexible coupling electric clutch for direct drive of accessories. SAE 'C' spline 14T 12/24 DP, 2 or 4 bolt pump mount.

## Benefits

The PTO Clutch Assembly connects to drive accessories such as windlass or hydraulic thrusters. The net available power varies by model and is limited by the maximum engine horsepower and maximum clutch engagement RPM (see table below).

## Installation

PTO mount assembly (0541-1139-01) must be ordered for 4-cylinder engine models. PTO mount assembly (0541-1139-02) must be ordered for 6-cylinder engine models. See compatibility chart.

Belt guard (0541-1128-02) must be ordered for gensets without a sound shield. The "C" front panel (0541-1140) must be ordered for gensets with a sound shield.

## Compatibility

Part No.	Models	Instruction Sheet
0541-1133-01	MDDCA/B/C/D/E/F/G/H/J/K	None
0541-1133-02	MDDCA/B/C/D/E/F/G/H/J/K	None
0541-1133-03	MDDCA/B/C/D/E/F/G/H/J/K	None
0541-1133-04	MDDCA/B/C/D/E/F/G/H/J	None
0541-1139-01	MDDCA/B/C/F/G/K	G-632
0541-1139-02	MDDCD/E/H/J	G-632
0541-1128-02	MDDCA/B/C/D/E/F/G/H/J/K	G-633
0541-1140	MDDCA/B/C/D/E/F/G/H/J/K	G-633



PTO Installation

## Net Available Power, HP (kWm)

Model	at 1500 RPM	at 1800 RPM
MDDCF/K	60 (44.7)	N/A
MDDCG	75 (55.9)	N/A
MDDCH	97 (72.3)	N/A
MDDCJ	119 (88.7)	N/A
MDDCA	N/A	60 (44.7)
MDDCB	N/A	82 (61.1)
MDDCC	N/A	97 (72.3)
MDDCD	N/A	119 (88.7)
MDDCE	N/A	148 (110.4)

## Kit Includes

### 0541-1133-0X

Electric clutch

### 0541-1139-0X

Mounting brackets, engine vibration isolators, instruction sheet and all necessary hardware to mount PTO assembly.

### 0541-1128-02

Belt guard, instruction sheet, and all necessary brackets and hardware.

### 0541-1140

Front sound shield panel, PTO shield, instruction sheet, and all necessary hardware.

## Instruction Sheet

See compatibility chart.

# Vibration Isolators

## PART NUMBER

**0541-1177-01 Secondary Vibration Isolators  
(4 cyl. engine)**

**0541-1177-02 Secondary Vibration Isolators  
(4 cyl. engine with PTO)**

**0541-1177-03 Secondary Vibration Isolators  
(6 cyl. engine)**

**0541-1177-04 Secondary Vibration Isolators  
(6 cyl. engine with PTO)**

## Spec Sheet Description

Secondary vibration isolation system.

## Description

Set of four vibration isolators mount between the vessel and genset base.

## Benefits

Provides optimal vibration isolation for sensitive applications.

## Compatibility

Part No.	Models
0541-1177-01	MDDCA/B/C/F/G/K
0541-1177-02	MDDCA/B/C/F/G/K (with PTO)
0541-1177-03	MDDCD/E/H/J
0541-1177-04	MDDCD/E/H/J (with PTO)

## Installation

This kit will increase the overall height of the generator set by approximately 2.75 inches (65 mm).

## Kit Includes

Four vibration isolators, four bolts and washers and instruction sheet.

## Instruction Sheet

G-648



0541-1177-01

# Cooling System Accessories

## PART NUMBER

0541-0876-01 Siphon Break

0541-0876-02 Siphon Break

0541-0877-01 Siphon Break

0541-1152 Siphon Break

## Spec Sheet Description

Siphon break kit.

## Description

Siphon break kit with hose barb connections.

## Benefits

In installations where the genset water-exhaust mixer is less than 6 in. above the load water line, a siphon break is required. A siphon break will stop the flow of sea water into the engine due to siphon action when the genset is not running by allowing air into the system.

## Compatibility

Part No.	Models
0541-0876-01	MDKBJ/K/L/M/N MDKBP/R/S/V
0541-0876-02	MDKBH
0541-0877-01	MDKBT/U
0541-1152	MDDCA/B/C/D/E/F/G/H/J/K

## Kit Includes

### 0541-0876-01

Siphon break assembly, two hose clamps, two rubber grommets and instruction sheet.

### 0541-0876-02

Siphon break assembly, eight hose clamps, two rubber grommets, two pre-formed rubber hoses, two 3/4 in hose unions and instruction sheet.

### 0541-1152

Siphon break assembly, six hose clamps, two rubber grommets, and instruction sheet.

### 0541-0877-01

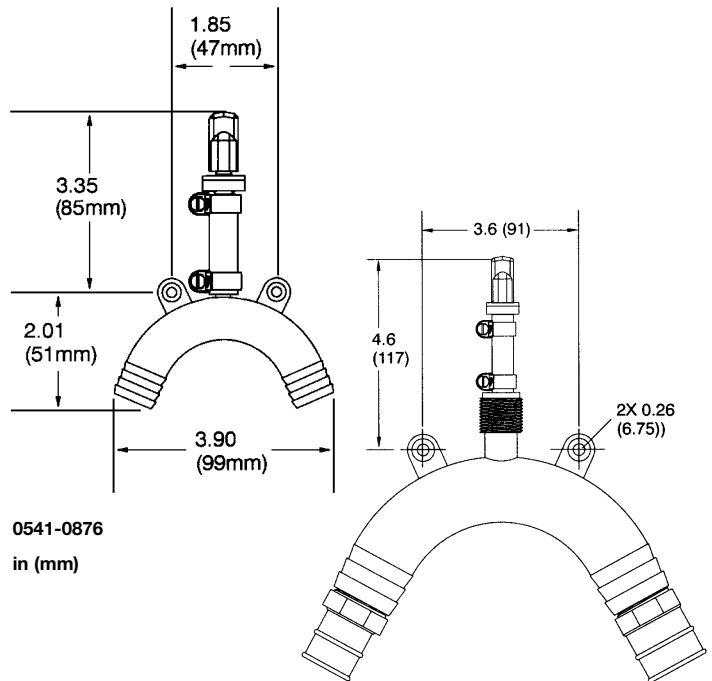
Siphon break assembly, two hose clamps, two rubber grommets and instruction sheet.

## Instruction Sheet

G-567



0541-0876-01



0541-0876  
in (mm)

0541-1152, 0541-0877-01

## Cooling System Accessories

### PART NUMBER

0541-1255-01 Front (Engine End) Raw Water Inlet Kit

0541-1392-01 Front (Engine End) Raw Water Inlet Kit

0541-1619-01 Front (Engine End) Raw Water Inlet Kit

### Spec Sheet Description

Front (engine end) raw water inlet kit.

### Description

This kit relocates the raw water inlet from the rear (generator end) to the front (engine end) for gensets equipped with sound shields.

### Benefits

Generator set installations requiring moving the location of the raw water connection from the rear (generator end) to the front (engine end) can be accommodated by using this kit.

### Compatibility

Part No.	Models
0541-1255-01	MDKBL/M/N (spec C and later)
0541-1619-01	MDKBP/R (spec C and later) MDKBV
0541-1392-01	MDKBT/U

### Installation

Requires removal of the rear raw water inlet hose.

### Kit Includes

0541-1255-01

Molded hose, hole plug, instruction sheet.

0541-1392-01

Molded hose, instruction sheet.

0541-1619-01

Molded hose, retaining clamp, instruction sheet.

### Instruction Sheet

G-673 for 541-1255-01 and 0541-1619-01

G-726 for 541-1392-01





## PART NUMBER

**0541-1255-02 Rear (Generator End) Raw Water Inlet Kit**

**0541-1255-03 Rear (Generator End) Raw Water Inlet Kit**

**0541-1392-02 Rear (Generator End) Raw Water Inlet Kit**

**0541-1619-02 Rear (Generator End) Raw Water Inlet Kit**

## Spec Sheet Description

Rear (generator end) raw water inlet kit.

## Description

This kit relocates the raw water inlet from the front (engine end) to the rear (generator end) for gensets equipped with sound shields.

## Benefits

Generator set installations requiring moving the location of the raw water connection from the front (engine end) to the rear (generator end) can be accommodated by using this kit.

## Compatibility

Part No.	Models
0541-1255-02	MDKBL (spec C and later)
0541-1255-03	MDKBM/N (spec C and later)
0541-1619-02	MDKBP/R (spec C and later) MDKBV
0541-1392-02	MDKBT/U

## Installation

Requires removal of the front raw water inlet hose.

## Kit Includes

### 0541-1255-0X

Molded hose, hole plug, instruction sheet.

### 0541-1392-02

Two hoses, connector, two clamps, instruction sheet.

### 0541-1619-02

Molded hose, instruction sheet.

## Instruction Sheet

G-673 for 0541-1255-0X and 0541-1619-02

G-726 for 0541-1392-02



0541-1255-02

## Cooling System Accessories

### PART NUMBER

0155-3087 Keel Cooling Kit with Dry Exhaust

### Spec Sheet Description

Keel cooling conversion for dry exhaust.

### Description

This kit replaces the seawater pump with a cover and eliminates the heat exchanger from the cooling system. The exhaust has to be converted to dry style with a separate kit. If the set to be converted has a sound shield, then the roof has to have a hole cut out for the exhaust exit and the exhaust elbow and fittings have to be lagged to prevent heat buildup inside the sound shield.

### Benefits

This kit converts the engine cooling system from heat exchanger to keel cooling. In addition, if the exhaust needs to be converted to dry exhaust a separate kit is required; see Dry Exhaust Conversion on page 47.

### Compatibility

This kit is for use with MDKBP/R/V.

### Kit Includes

Auxiliary drive cover, cover seal, four bolts, inlet and outlet keel cooling assemblies, coolant hoses, instruction sheet.

### Instruction Sheet

M-94



0155-3087

### PART NUMBER

**0155-3148-02 Keel Cooling with Wet Exhaust**

### Spec Sheet Description

Keel cooling conversion for wet exhaust.

### Description

Keel cooling kit for wet exhaust contains parts required to convert from heat exchanger cooling to keel cooling. The raw water pump will still draw water from the sea and discharge it in the exhaust mixer.

### Benefits

Converts genset from heat exchanger cooled and wet exhaust to keel cooled with wet exhaust.

### Compatibility

This kit is for use with MDKBP/R/V.

### Kit Includes

Keel cooling inlet and outlet assemblies, coolant hoses, elbow and adapter assembly, instruction sheet.

### Instruction Sheet

M-94



0155-3148-02

## Cooling System Accessories

### PART NUMBER

0541-1124 Keel Cooling Expansion Tank, 4 Gal (15 L)

### Spec Sheet Description

Keel cooling expansion tank, set-mountable.

### Description

Set mountable, keel cooling expansion tank. 4 Gallon (15 liter) capacity.

### Benefits

Keel cooling systems require extra expansion space for the increased volume of coolant. This kit provides a convenient method to mount the tank directly to the engine.

### Compatibility

This kit is for use with MDDCA/B/C/D/E/F/G/H/J/K.

### Installation

This kit is set mountable for gensets without a sound shield. See genset outline drawing for dimensions.

### Kit Includes

Expansion tank, coolant hose adapter fittings, mounting brackets, all mounting hardware and instruction sheet.

### Instruction Sheet

G-636



0541-1124

### PART NUMBER

0333-0702-01 Coolant Heater, 110 V, 1000 W

0333-0702-02 Coolant Heater, 220 V, 1000 W

### Spec Sheet Description

Coolant heater, 120 V or 240 V, 1000 W.

### Description

1000 W direct immersion style coolant heater. Mounts in freeze out port in engine block. Includes 12 in (300 mm) cord.

### Benefits

Warms engine to improve cold starting performance.

### Compatibility

These kits are for use with MDDCA/B/C/D/E/F/G/H/J/K.

### Kit Includes

Heater, cord and instruction sheet.

### Instruction Sheet

Manufacturer instructions included.



0333-0702-02

# Exhaust Accessories

## PART NUMBER

0541-1253-01 Front (Engine End) Exhaust Outlet Kit

0541-1253-02 Front (Engine End) Exhaust Outlet Kit

0541-1282 Front (Engine End) Exhaust Outlet Kit

0541-1472-02 Front (Engine End) Exhaust Outlet Kit

## Spec Sheet Description

Front (engine end) exit (wet) exhaust tube kit.

## Description

This kit relocates the wet exhaust outlet from the rear (generator end) to the front (engine end) for gensets equipped with sound shields.

## Benefits

Generator set installations requiring moving the location of the exhaust connection from the rear (generator end) to the front (engine end) can be accommodated by using this kit.

## Installation

Requires removal of rear out exhaust tube.

## Compatibility

Part No.	Models	Instruction Sheet
0541-1253-01	MDKBL (spec C and later)	G-670
0541-1253-02	MDKBM/N (spec C and later)	G-670
0541-1472-02	MDKBP/R (spec B and later) MDKBV	G-671
0541-1282	MDKBT/U	G-725



0541-1253-01

## Kit Includes

0541-1472-02

Molded rubber hose, hole plug, instruction sheet.

0541-1253-01, -02

Molded 90° rubber elbow, stainless steel formed tube, straight hose, stainless steel clamps (4), instruction sheet.

0541-1282

Molded rubber hose, instruction sheet.

## Instruction Sheet

See compatibility chart.

**PART NUMBER**

- 0541-1254-01 Rear (Generator End) Exhaust Outlet Kit
- 0541-1254-02 Rear (Generator End) Exhaust Outlet Kit
- 0541-1281 Rear (Generator End) Exhaust Outlet Kit
- 0541-1472-01 Rear (Generator End) Exhaust Outlet Kit

**Spec Sheet Description**

Rear exhaust outlet kit.

**Description**

This kit relocates the wet exhaust outlet from the front (engine end) to the rear (generator end).

**Benefits**

Generator set installations requiring moving the location of the exhaust connection from the front (engine end) to rear (generator end) can be accommodated using this kit.

**Compatibility**

Part No.	Models	Instruction Sheet
0541-1254-01	MDKBL (spec C and later)	G-672
0541-1254-02	MDKBM/N (spec C and later)	G-672
0541-1472-01	MDKBP/R (spec B and later) MDKBV	G-671
0541-1281	MDKBT/U	G-725

**Kit Includes**

**0541-1281 and 0541-1472-0X**

Molded rubber hose, instruction sheet.

**0541-1254-0X**

Molded Rubber hose, hole plug, instruction sheet.

**Instruction Sheet**

See compatibility chart.



0541-1254

# Exhaust Accessories

## PART NUMBER

- 0155-2030 Muffler–Water Lift (2 in O.D.)
- 0155-3222 Muffler–Water Lift  
(2 in O.D. Inlet x 2.5 in O.D. Outlet)
- 0541-1134 Muffler–Water Lift (4 in O.D.)
- 0541-1270 Muffler–Water Lift (3 in O.D.)

## Spec Sheet Description

Marine water lift muffler.

## Description

Marine water lift muffler has a water drain near the bottom for winterization. 0155-2030 has 2 in (50.8 mm) side inlet and 2 in (50.8 mm) top outlet. 0155-3222 has a 2 in (50.8 mm) side inlet and 2.5 in (63.5 mm) top outlet. 0541-1134 has a 4.0 in (102 mm) side inlet and 4.0 in (102 mm) top outlet. 0541-1270 has a 3.0 in (76 mm) side inlet and 3.0 in (76 mm) top outlet.

## Benefits

Provides water lift capability for normal installations of the set below seawater level, transferring a mixture of raw water and engine exhaust as well as reducing the exhaust noise from the engine.

## Compatibility

Part No.	Models
0155-2030	MDKBH/J/K/L/M/N MDKBP/R/V
0155-3222	MDKBP/R/V When 2.5 in I.D. hose is required to reduce back pressure
0541-1270	MDKBT/U
0541-1134	MDDCA/B/C/D/E/F/G/H/J/K

## Kit Includes

0155-2030, 0155-3222

Lift muffler, sea water strainer, hose clamps (8), instruction sheet.

0541-1134

Lift muffler, hose clamps (8), instruction sheet

0541-1270

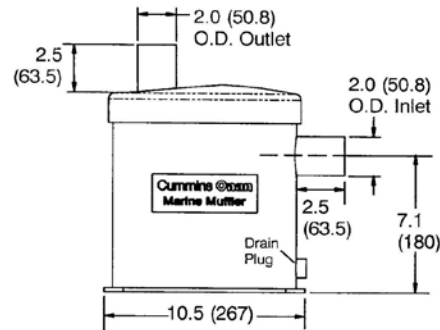
Lift muffler, sea water strainer, hose clamps (6), instruction sheet.

## Instruction Sheet

M-98



0155-2030

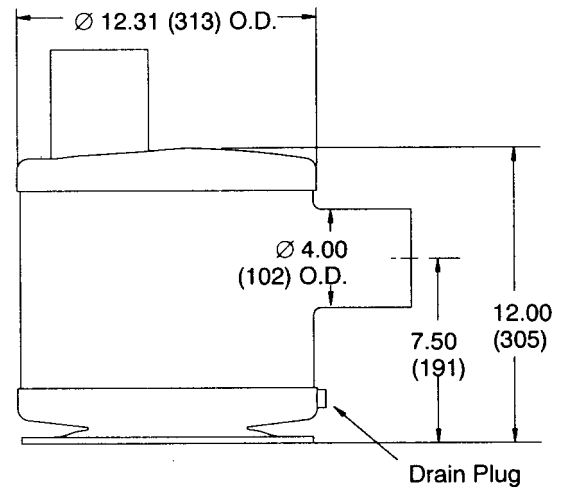
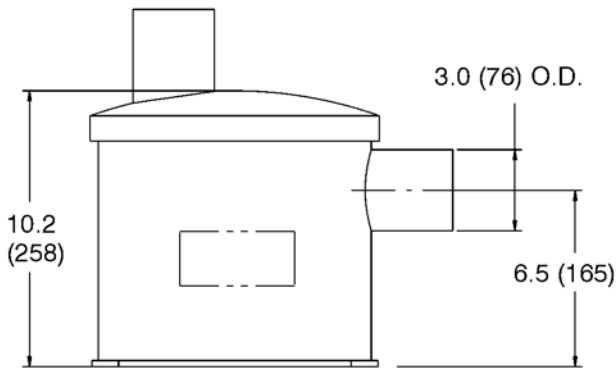
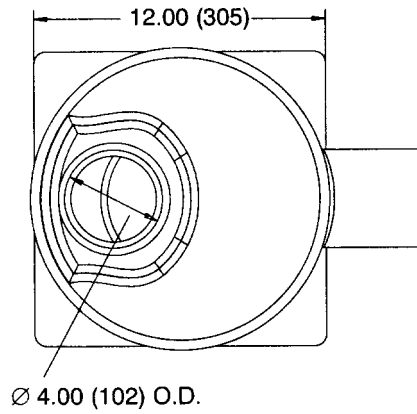
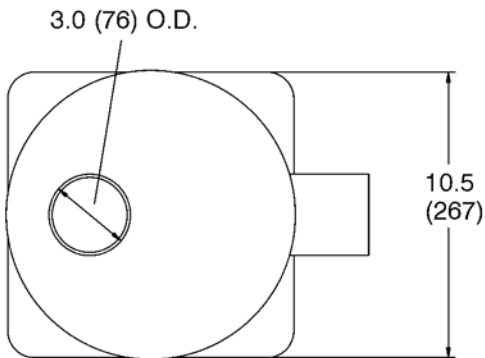


0155-2030  
in (mm)

Continued on next page.

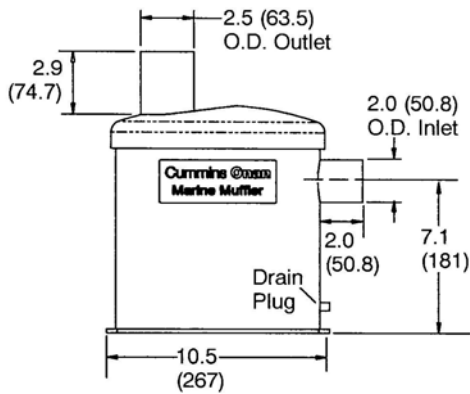


Continued from previous page.



0541-1270  
in (mm)

0541-1134  
in (mm)



0155-3222  
in (mm)

# Exhaust Accessories

## PART NUMBER

- 0155-3216 Water-Exhaust Separator (2 in O.D.)\*
- 0155-3224 Water-Exhaust Separator (2.5 in O.D.)\*
- 0541-1136 Water-Exhaust Separator (4 in O.D.)
- 0541-1274 Water-Exhaust Separator (3 in O.D.)

## Spec Sheet Description

Water separator.

## Description

The water separator is to be located after the water lift muffler. It has an engine exhaust inlet and outlet and a third outlet for draining the water.

## Benefits

The separator installs downstream from a water lift muffler, but above the sea level for gravity-forced draining, and separates the engine exhaust from the seawater. Provides excellent silencing of exhaust exit noise and splashing noticed in standard water lift muffler-alone installations. This kit installation requires an additional discharge-through-hull fitting to drain the seawater out of the genset exhaust.

## Compatibility

Part No.	Models
0155-3216	MDKAU/V/W/Z MDKBG/H/K/L/M/N MDKBD/E MDKBP/R/V MGKBC/D
0155-3224	MDKBD/E/F MDKBP/R/S/V When 2.5 in I.D. hose is required to reduce back pressure
0541-1274	MDKBT/U
0541-1136	MDDCA/B/C/D/E/F/G/H/J

## Kit Includes

Water separator, hose clamps (4) for exhaust, (4) for seawater, instruction sheet.

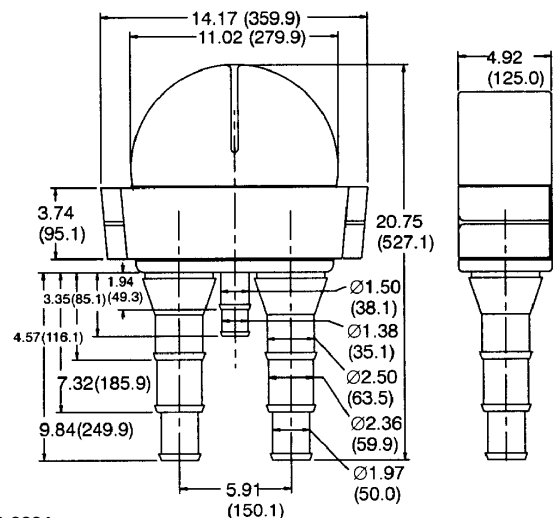
## Instruction Sheet

M-98

*\*NOTE: Model 155-3216 and 155-3224 are only available while supplies last. They are discontinued models. See page 42 for new models*



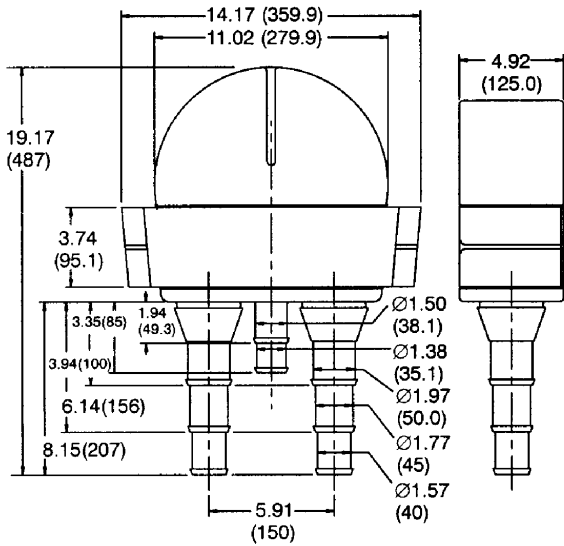
0155-3216



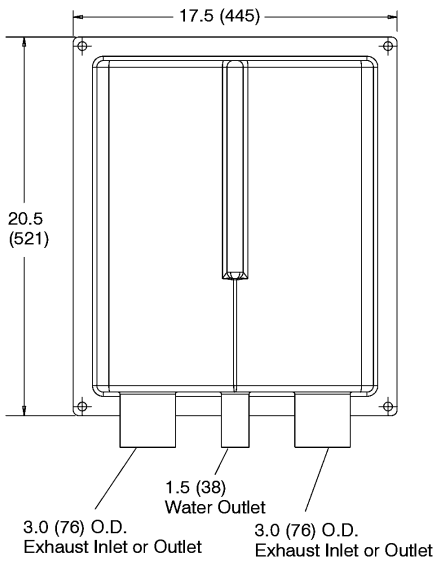
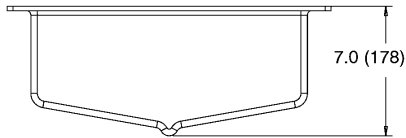
0155-3224

in (mm)

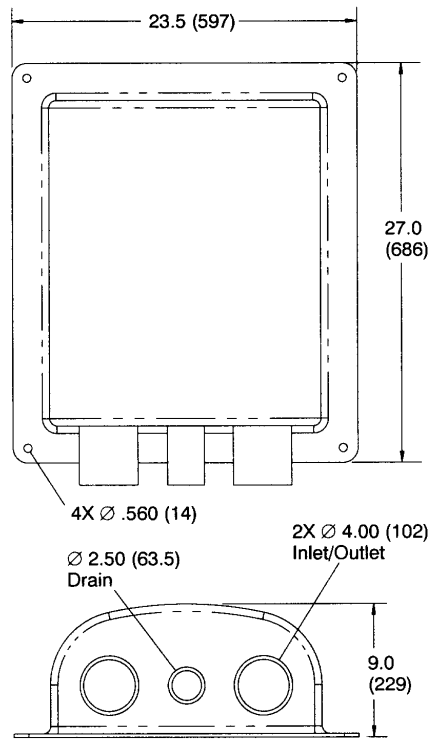
Continued from previous page.



0155-3216  
in (mm)



0541-1274  
in (mm)



0541-1136  
in (mm)

# Exhaust Accessories

## PART NUMBER

**A040A336 Water-Exhaust Separator (2 in O.D.)**

**A040A341 Water-Exhaust Separator  
(2.5 in O.D. Inlet x 2.0 in O.D. outlet)**

## Spec Sheet Description

Water separator.

## Description

The water separator is to be located after the water lift muffler. It has an engine exhaust inlet and outlet and a third outlet for draining the water.

## Benefits

The separator installs downstream from a water lift muffler, but above the sea level for gravity-forced draining, and separates the engine exhaust from the seawater. Provides excellent silencing of exhaust exit noise and splashing noticed in standard water lift muffler-alone installations. This kit installation requires an additional discharge-through-hull fitting to drain the seawater out of the genset exhaust.

## Compatibility

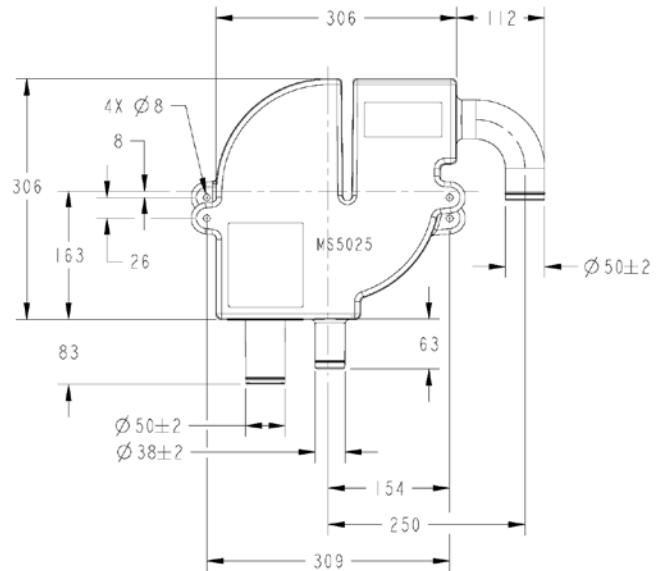
Part No.	Models
A040A336	MDKBH/J/K/L/M/N MDKBP/R/V
A040A341	MDKBP/R/V
When 2.5 in I.D. hose is required to reduce back pressure	

## Kit Includes

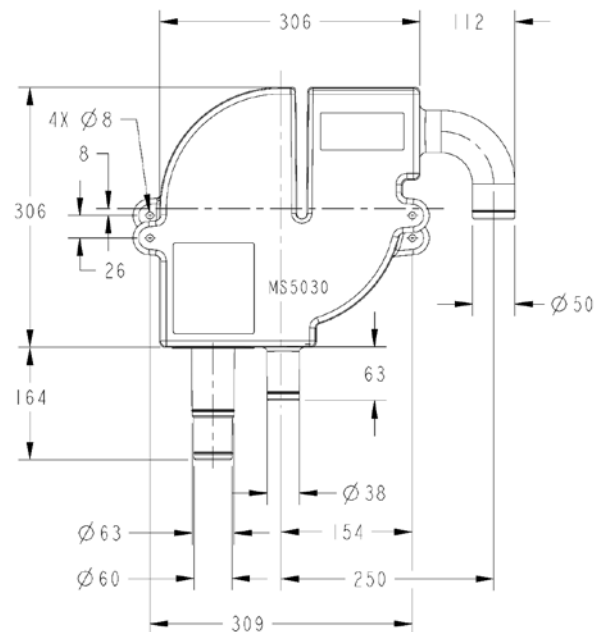
Water separator, hose clamps (4) for exhaust, (4) for seawater, instruction sheet.

## Instruction Sheet

M-98



A040A336



A040A341

**PART NUMBER**

**0155-3217 Muffler–Water Lift and Water Exhaust Separator (2 in O.D., dual silencers)\***

**0155-3223 Muffler–Water Lift and Water Exhaust Separator (2.5 in O.D., dual silencers)\***

**Spec Sheet Description**

Marine muffler, water separator.

**Description**

This kit includes both a water lift muffler and a water exhaust separator.

**Dimensions**

**0155-3217**

Water lift muffler—refer to 0155-2030

Water exhaust separator—refer to 0155-3216

**0155-3223**

Water lift muffler—refer to 0155-3222

Water exhaust separator—refer to 0155-3224

**Benefits**

Water lift muffler in combination with a water exhaust separator for superior noise reduction and elimination of water splashing outside the boat during genset operation. This kit installation requires an additional discharge-through-hull fitting to drain the seawater out of the genset exhaust.

**Compatibility**

Part No.	Models
0155-3217	MDKBJ/H/K/L/M/N MDKBP/R/V
0155-3223	MDKBP/R/V
When 2.5 in I.D. hose is required to reduce back pressure	



0155-3217

**Kit Includes**

Water lift muffler, water exhaust separator, stainless steel hose clamps (14), strainer for raw water supply, and instruction sheet.

**Instruction Sheet**

M-98

*\* NOTE: There are a limited number of these kits remaining. When supplies are depleted, the water separator in the kits will change to the new style shown on page 44.*

## **Exhaust Accessories**

### **PART NUMBER**

**A040A347 Muffler–Water Lift (2 in. Inlet 2.5 in. Outlet) and Water Exhaust Separator (2.5 in. Inlet 2.0 in Outlet)**

**A040A351 Water Lift Muffler (2 in. Inlet and Outlet) Exhaust Water Separator (2 in. Inlet and Outlet)**

### **Spec Sheet Description**

Marine muffler, water separator.

### **Description**

This kit includes both a water lift muffler and a water exhaust separator.

### **Dimensions**

#### **A040A347**

Water lift muffler—refer to 0155-3222

Water exhaust separator—refer to A040A341

#### **A040A351**

Water lift muffler—refer to 0155-2030

Water exhaust separator—refer to A040A336

### **Benefits**

Use a water lift muffler in combination with a water exhaust separator for superior noise reduction and elimination of water splashing outside the boat during genset operation. This kit installation requires an additional discharge-through-hull fitting to drain the seawater out of the genset exhaust.

**PART NUMBER**

**0155-3147 Muffler–Water Lift and Resonator  
(2 in O.D., dual silencers)**

**0155-3239 Water–Exhaust Resonator Only  
(2 in O.D.)**

**Spec Sheet Description**

Marine mufflers and resonator dual silencers.

**Description**

Water lift muffler and resonator kit combination and a resonator only kit.

**Benefits**

10 kW (60 Hz) and smaller output can have their exhaust noise reduced with the addition of the resonator. The resonator must be installed as a secondary muffler with a water lift muffler upstream for proper operation.

**Compatibility**

These kits are for use with:  
MDKBJ/H/K/L

**Kit Includes**

**0155-3147**  
Marine muffler, seawater strainer, hose clamps (12), resonator, instruction sheet.

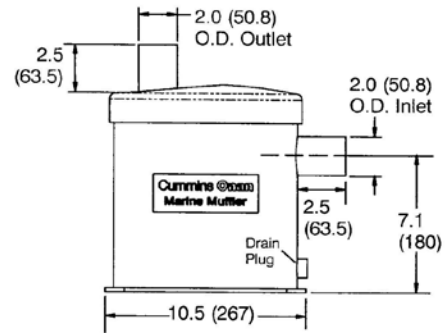
**0155-3239**  
Resonator and instruction sheet.

**Instruction Sheet**

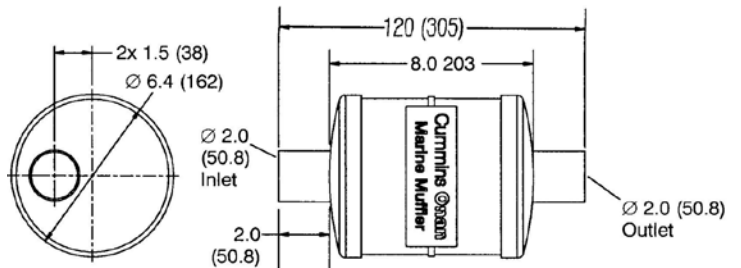
M-98



0155-3147



**Water Lift Muffler**  
in (mm)



**Resonator**  
in (mm)

## Exhaust Accessories

### PART NUMBER

- 0503-1353 Wet Exhaust Hose  
(2 in (5.1 cm) I.D. x 10 ft (3.1 m) long)
- 0503-1302 Wet Exhaust Hose  
(2.5 in (6.35 cm) I.D. x 10 ft (3.1 m) long)
- 0541-1137 Wet Exhaust Hose  
(4 in (10.2 cm) I.D. x 12.5 ft (3.8 m) long)



0503-1353

### Spec Sheet Description

Wet exhaust hose.

### Description

Exhaust hose made from black plioflex synthetic rubber, reinforced with synthetic fabric and wire helix.

### Benefits

This is a marine exhaust hose for diesel engines. It is constructed to meet the Underwriters Laboratories Specification 1129 applicable to marine exhaust systems. It is Type Certified per ABYC specification P-1.

### Compatibility

Part No.	Models
0503-1353	MDKBJ/H/K/L/M/N MDKBP/R/V
0503-1302	MDKBP/R/S/V When 2.5 in I.D. hose is required to reduce back pressure
0541-1137	MDDCA/B/C/D/E/F/G/H/J/K

### Kit Includes

Marine exhaust hose.

### Instruction Sheet

None



**PART NUMBER**

**0155-2033 Exhaust Tube**  
(2 in (5.1 cm) O.D. 90 degree elbow)

**Spec Sheet Description**

Wet exhaust stainless steel elbow.

**Description**

Stainless steel 90° elbow with barb ends for marine exhaust systems.

**Benefits**

This elbow allows redirecting marine set exhaust in a tight space with its 2-in O.D. tube size.

**Compatibility**

This kit is for use with:  
MDKBH/J/K/L/M/N  
MDKBP/R/V

**Kit Includes**

Stainless steel elbow.

**Instruction Sheet**

None.



0155-2033

## Exhaust Accessories

### PART NUMBER

**0541-1528 90 Degree Exhaust Bulkhead Connection, 3 inch**

### Description

Rotatable wet exhaust bulkhead connection elbow. Replaces standard straight exhaust bulkhead connection.

### Benefits

Provides a rotatable, 90 degree, wet exhaust bulkhead connection for installations with limited end clearance.

### Compatibility

MDKBT/U

### Kit Includes

Wet exhaust elbow, exhaust clamp, M6 screws (4), instruction sheet

### Instruction Sheet

G-741



0541-1528

**PART NUMBER**

**0155-3146 Dry Exhaust—Oriented Up or Down Steel Fitting**

**0155-4691 Dry Exhaust—Oriented Down Steel Fitting**

**0155-4690 Dry Exhaust—Oriented Up**

**0541-1272-01 Dry Exhaust**

**Spec Sheet Description**

Dry exhaust conversion kit.

**Description**

Dry exhaust elbow with flange to bolt onto engine exhaust manifold. Exhaust can be oriented up or down. Not compatible with sound shields in the down position. When exhaust is oriented up, installer is required to machine sound shield roof panel for exhaust tube and insulate dry exhaust fittings inside sound shield. 0155-3146 has an 1 1/4 in NPT male threads for connecting to a flexible exhaust hose. 0155-4691, 0155-4690, and 541-1272-01 have 2 in NPT female pipe thread connections.

**Benefits**

Converts genset to dry exhaust configuration for typical commercial/work boat installation.

**Compatibility**

0155-3146 is for MDKBJ/K/L/M/N and can be oriented up or down.

0155-4691 is for MDKBP/R/V for exhaust oriented down.

0155-4690 is for MDKBP/R/V for exhaust oriented up.

0541-1272-01 is for MDKBT/U

**Kit Includes**

**0155-3146**

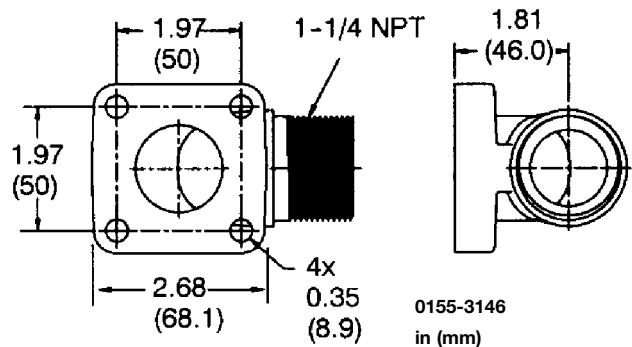
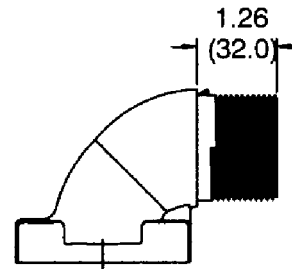
Exhaust elbow (1-1/4 in NPT thread), gasket, M8 bolts (4), M8 lock washers (4), instruction sheet.

**0155-4691**

Exhaust flange, reducing bushing (1 1/2 x 2 in NPT) gasket, Allen screw (3), M6 washers (3), instruction sheet.



0155-4690



**0155-4690**

Exhaust adapter, riser gasket, exhaust flange, exhaust adapter gasket, reducing bushing (1 1/2 x 2 in NPT) M8 screws (8), M2 washers (8), instruction sheet.

**541-1272-01**

Exhaust elbow, gasket, plug for wet exhaust outlet, instruction sheet.

**Instruction Sheet**

M-95 for 0155-4691

M-93 for 0155-4690 and 0155-3146

G-727 for 0541-1272-01

## Exhaust Accessories

### PART NUMBER

0541-1272-02 Dry Exhaust Flange

### Spec Sheet Description

Dry exhaust flange (ASME B16.5, NPS 2, Class 150).

### Description

2 inch NPT to round flange adapter. The flange complies with ASME B16.5 NPS 2, Class 150.

### Benefits

Converts the standard dry exhaust elbow with 2 inch NPT threads to a round four-bolt flange.

### Compatibility

This kit is for use with MDKBP/R/T/U/V equipped with dry exhaust.

### Installation

Exhaust adapter screws into standard dry exhaust elbow.

### Kit Includes

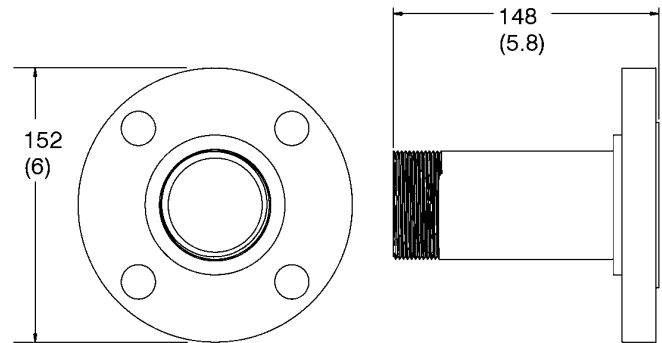
Exhaust adapter and instruction sheet.

### Instruction Sheet

G-727



0541-1272-02



mm (in)

**PART NUMBER**

**0155-2063-09 Dry Exhaust Muffler—Basic**

**0155-2064-09 Dry Exhaust Muffler—Enhanced**

**Spec Sheet Description**

Dry exhaust muffler.

**Description**

Inline muffler for dry exhaust. 0155-2063-09 and 0155-2064-09 have 2 in pipe threads.

**Benefits**

Mufflers provide sound attenuation for dry exhaust applications. Use 0155-2064-09 over 0155-2063-09 for increased sound attenuation.

**Compatibility**

<b>Part No.</b>	<b>Models</b>
0155-2063-09	MDKBP/R/V MDKBT/U
0155-2064-09	MDKBP/R/V MDKBT/U

**Kit Includes**

Muffler

**Instruction Sheet**

None



0155-2063-09

## Exhaust Accessories

### PART NUMBER

0155-2355-02 Flexible Exhaust Tube for Dry Exhaust, (1 1/4 in NPT 18 in (46 cm) long)

0155-2355-04 Flexible Exhaust Tube for Dry Exhaust, (2 in NPT 18 in (46 cm) long)

0155-2356-01 Flexible Exhaust Tube for Dry Exhaust, (8-bolt flange 18 in (46 cm) long)

### Spec Sheet Description

Flexible exhaust stainless steel tube assembly.

### Description

18 in (46 cm) long flexible exhaust tube for dry exhaust. Type 321 stainless steel tubing, spiral or annular corrugated open pitch.

### Benefits

Flexible exhaust tube provides vibration isolation in dry exhaust installations.

### Compatibility

Part No.	Models
0155-2355-02	MDK BK/L/M/N
0155-2355-04	MDK BP/R/V MDK BT/U
0155-2356-01	MDDCA/B/C/D/E/F/G/H/J/K Requires dry exhaust outlet with 8 bolt flange—option E119

### Kit Includes

Flexible exhaust tube.

### Instruction Sheet

None



0155-2355-04

# Fuel System Accessories

## PART NUMBER

**0541-1509 Front (Engine End) Fuel System Connection Kit**

## Spec Sheet Description

Front (engine end) fuel system kit.

## Description

This kit relocates the fuel system connections from the rear (generator end) to the front (engine end) for gensets equipped with sound shields.

## Benefits

Generator set installations requiring moving the location of the fuel system connection from the rear (generator end) to the front (engine end) can be accommodated by using this kit.

## Compatibility

Part No.	Models
0541-1509	MDKBP/R (spec C and later) MDKBV

## Kit Includes

0541-1509

Fuel bracket, grommet (2), screws (2), instruction sheet.

## Instruction Sheet

G-674



0541-1509

## Fuel System Accessories

### PART NUMBER

**A026M935 Remote Fuel/Water Separator, 30 Micron**

### Spec Sheet Description

Remote fuel filter/water separator assembly.

### Description

USCG-approved, secondary fuel filter/water separator—a complete filter assembly with 1/4-in NPT connections for fuel inlet and outlet. Also includes a separate mounting bracket and reducer fittings for 1/8-inch NPT internal thread connections.

### Benefits

This filter can be remote mounted at a convenient location for ease of service and accessibility for operator convenience. The filter element has a nominal rating of 30 micron.

### Service

The replacement service part no. is 149-1914-01.

### Compatibility

This kit is for use with:  
MDKBH/J/K/L/M/N  
MDKBP/R/T/U/V

### Kit Includes

Fuel filter and mounting head assembly, mounting bracket, 1/8 NPT elbow and reducer bushing (two of 1/4 x 1/8 NPT).

### Instruction Sheet

None



A026M935



### PART NUMBER

0541-1158-01 Auxiliary Electric Fuel Pump 12 V

0541-1158-02 Auxiliary Electric Fuel Pump 24 V

### Spec Sheet Description

Electric fuel transfer pump for increased fuel lift capability.

### Description

12 or 24 V electric fuel pump mounts on genset.

### Benefits

These kits are for applications that need extra lift capability. The engine comes standard with a mechanical fuel transfer pump that has a lift capability of 8 in Hg (27 kPa). These electric pumps increase the fuel lift capability to 18 in Hg (60 kPa).

### Compatibility

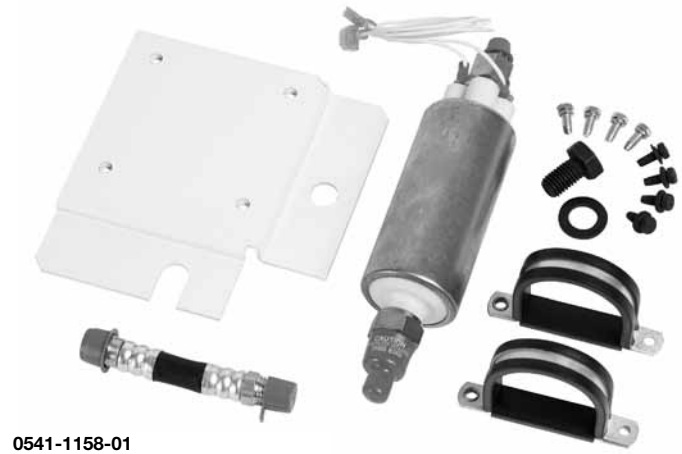
These kits are for use with MDDCA/B/C/D/E/F/G/H/J/K.

### Kit Includes

Electric pump, bracket, hose, mounting hardware and instruction sheet.

### Instruction Sheet

G-644



# Service Parts

## PART NUMBER

**A029E631 Cruise Kit**

**0100-3478-XX Cruise Kit**

**0541-1529-XX Cruise Kit**

The cruise kits provide all the necessary and essential generator maintenance and service parts boaters need for worry-free voyages. Enjoy peace-of-mind by having the parts on hand for routine maintenance. Included in the cruise kits are the following parts:

- > Oil filter – 2 units
- > Oil filter wrench – 1 unit\*
- > Fuel filter – 2 units
- > Sea water pump impeller kit – 2 units
- > V-belt – 1 unit
- > Zinc pencil – 2 units\*\*
- > Convenient plastic carrying case
- > Laminated marine service & maintenance schedule\*\*\*

\* For MDKBJ only

\*\* For MDKBH and MDKBJ zinc pencil is not required and not included

\*\*\* For current models only



**0100-3478-52**

<b>Current Models</b>	<b>Accessory Part #</b>
MDKBH	0100-3478-58
MDKBJ	A029E631
MDKBK/L/M/N	0100-3478-52
MDKBP, MDKBR (12 V Negative Ground Spec D & up)	100-3478-61
MDKBP, MDKBR (24 V Negative Ground Spec D & up)	100-3478-62
MDKBP, MDKBR (Isolated Ground Spec D & up)	100-3478-63
MDKBV (12 V Negative Ground)	100-3478-61
MDKBV (24 V Negative Ground)	100-3478-62
MDKBV (Isolated Ground)	100-3478-63
MDKBT/U	0100-3478-60
MDDCA/B/C/F/G/K	0541-1529-51
MDDCD/E/H/J	0541-1529-52

**PART NUMBER**

**0525-0736-01 Paint, Cloud White (12 oz. spray can)**

**Spec Sheet Description**

Not listed on spec sheet.

**Description**

Cloud white paint.

**Benefits**

These kits are used for touchup or rework of sound enclosure panels.

**Compatibility**

These parts are for use with all QD Series generator sets.

**Kit Includes**

0525-0736-01 includes 12 oz. pressurized spray can.

**Instruction Sheet**

None.



0525-0736-01

# Part Number Index

<b>Part number</b>	<b>Description.....</b>	<b>Page</b>
0100-3478-XX	Cruise kits .....	56
0123-2252	Low/High Oil Level Switch .....	19
0155-2030	Muffler–Water Lift (2 in O.D.).....	38
0155-2033	Exhaust Tube, (2 in (5.1 cm) O.D., 90 degree elbow).....	47
0155-2063-09	Muffler–Basic, Dry.....	51
0155-2064-09	Muffler–Enhanced, Dry.....	51
0155-2355-02	Flexible Exhaust Tube for Dry Exhaust (1 1/4 in NPT 18 in (46 cm) long).....	52
0155-2355-04	Flexible Exhaust Tube for Dry Exhaust, (2 in NPT 18 in (46 cm) long).....	52
0155-2356-01	Flexible Exhaust Tube for Dry Exhaust (8-bolt flange 18 in (46 cm) long).....	52
0155-3087	Keel Cooling Kit with Dry Exhaust.....	32
0155-3146	Dry Exhaust—Oriented Up or Down Steel Fitting .....	49
0155-3147	Muffler–Water Lift and Resonator (2 in O.D., dual silencers).....	45
0155-3148-02	Keel Cooling with Wet Exhaust .....	33
0155-3216	Water–Exhaust Separator (2 in O.D.).....	40
0155-3217	Muffler–Water Lift and Water Exhaust Separator (2 in O.D., dual silencers).....	43
0155-3222	Muffler–Water Lift (2 in O.D. Inlet x 2.5 in O.D. Outlet) .....	38
0155-3223	Muffler–Water Lift and Water Exhaust Separator (2.5 in O.D., dual silencers).....	43
0155-3224	Water–Exhaust Separator (2.5 in O.D.).....	40
0155-3239	Water–Exhaust Resonator Only (2 in O.D.).....	45
0155-4691	Dry Exhaust-Oriented Down Steel Fitting .....	49
0155-4690	Dry Exhaust-Oriented Up .....	49
0300-4434	Alternator Space Heater, 120 VAC .....	24
0300-4435	Alternator Space Heater, 240 VAC .....	24
0300-4686-01	Low Coolant Level Switch Kit.....	18
0300-5725-01	Basic Remote Panel 12 V.....	7
0300-5725-02	Basic Remote Panel 24 V.....	7
0300-5727-01	Deluxe Remote Panel 12 V .....	8
0300-5727-02	Deluxe Remote Panel 24 V .....	8
0300-5464	Isolated Ground Conversion 12 V.....	15
0300-5899-01	Basic Remote Panel 12 V.....	7
0300-5899-02	Basic Remote Panel 24 V.....	7
0300-6363-03	Set-Mounted Cummins Onan Digital Display.....	4
0308-0269	2-Wire, 120 V AC Manual Transfer Switch.....	16
0308-0270	3-Wire, 120/240 V AC Manual Transfer Switch.....	16
0320-1666-XX	AC Output Breakers .....	20
0320-1689-XX	AC Output Breakers .....	20
0320-1836-XX	AC Output Breakers .....	20
0320-1891-XX	AC Output Breakers .....	20
0320-1960-XX	AC Output Breakers .....	22
0320-2332-XX	AC Output Breakers .....	20
0320-2346-XX	AC Output Breakers .....	22

<b>Part number</b>	<b>Description.....</b>	<b>Page</b>
0320-2347-XX	AC Output Breakers .....	22
0332-3771	DC Terminal Boot Kit (for battery connections at bulkhead) .....	17
0333-0445	Alternator Space Heater, 110–125 VAC .....	24
0333-0446	Alternator Space Heater, 220–260 VAC .....	24
0333-0702-01	Coolant Heater, 110 V, 1000 W .....	35
0333-0702-02	Coolant Heater, 220 V, 1000 W .....	35
0338-3167	Remote Panel Harness 15 ft (4.5 m).....	11
0338-3168	Remote Panel Harness 25 ft (7.6 m).....	11
0338-3169	Remote Panel Harness 45 ft (13.7 m).....	11
0338-3169-01	Remote Panel Harness 75 ft (22.8 m).....	11
0338-3169-02	Remote Panel Harness 100 ft (30.4 m).....	11
0338-3169-03	Remote Panel Harness 150 ft (45.6 m).....	11
0338-4016	Harness Y Adapter for Remote Dual Stations .....	12
0338-4017	Harness—Pigtail at Remote Panel .....	13
0338-4223	Harness—Pigtail at Genset (8 ckt).....	14
0338-4500	Harness—Pigtail at Genset (12 ckt).....	14
0416-0796	Battery 12 V—660 CCA.....	23
0416-0823	Battery 12 V—620 CCA.....	23
0503-1302	Exhaust Hose, Wet (2.5 in (6.35 cm) I.D. x 10 ft (3.1 m) long) .....	46
0503-1353	Exhaust Hose, Wet (2 in (5.1 cm) I.D. x 10 ft (3.1 m) long) .....	46
0541-0590	Belt Guard .....	3
0525-0736-01	Paint, Cloud White (12 oz. spray can) .....	57
0541-0822	Isolated Ground Conversion 12 V .....	15
0541-0823	Isolated Ground Conversion 12 V .....	15
0541-0824	Isolated Ground Conversion 24 V .....	15
0541-0876-01	Siphon Break.....	29
0541-0876-02	Siphon Break.....	29
0541-0877-01	Siphon Break.....	29
0541-0941-01	Harness Kit—Remote Start/Stop Switch with Connector 12 V .....	10
0541-0941-02	Harness Kit—Remote Start/Stop Switch with Connector 24 V .....	10
0541-0946-XX	AC Output Breakers .....	20
0541-1124	Keel Cooling Expansion Tank, 4 Gal (15 L).....	34
0541-1128-01	Belt Guard .....	3
0541-1128-02	PTO Belt Guard.....	27
0541-1130	Series Digital Display .....	9
0541-1132-01	Circuit Breaker Mounting Kit.....	22
0541-1132-02	Circuit Breaker Mounting Kit.....	22
0541-1133-01	Clutch, 12 V, 70 HP .....	27
0541-1133-02	Clutch, 24 V, 70 HP .....	27
0541-1133-03	Clutch, 12 V, 100 HP .....	27
0541-1133-04	Clutch, 24 V, 100 HP .....	27

## Part Number Index

<b>Part number</b>	<b>Description.....</b>	<b>Page</b>
0541-1134	Muffler-Water Lift (4 in O.D.) .....	38
0541-1137	Exhaust Hose, Wet (4 in (10.2 cm) I.D. x 12.5 ft (3.8 m) long) .....	46
0541-1139-01	PTO Mount Assembly.....	27
0541-1139-02	PTO Mount Assembly.....	27
0541-1140	PTO Sound Shield “C” Front Panel.....	27
0541-1152	Siphon Break.....	29
0541-1155	Manual Voltage Control.....	25
0541-1158-01	Auxiliary Electric Fuel Pump 12 V .....	55
0541-1158-02	Auxiliary Electric Fuel Pump 24 V .....	55
0541-1177-01	Secondary Vibration Isolators (4 cyl. engine).....	28
0541-1177-02	Secondary Vibration Isolators (4 cyl. engine with PTO).....	28
0541-1177-03	Secondary Vibration Isolators (6 cyl. engine).....	28
0541-1177-04	Secondary Vibration Isolators (6 cyl. engine with PTO).....	28
0541-1195-01	Interface, Communication Network SAE J1939.....	5
0541-1195-02	Interface, Communication Network, SmartCraft .....	6
0541-1195-03	Interface, Communication Network SAE J1939.....	5
0541-1195-04	Interface, Communication Network, SmartCraft .....	6
0541-1253-01	Front (Engine End) Exhaust Outlet Kit.....	36
0541-1253-02	Front (Engine End) Exhaust Outlet Kit.....	36
0541-1254-01	Rear (Generator End) Exhaust Outlet Kit.....	37
0541-1254-02	Rear (Generator End) Exhaust Outlet Kit.....	37
0541-1255-01	Front (Engine End) Raw Water Inlet Kit .....	30
0541-1255-02	Rear (Generator End) Raw Water Inlet Kit.....	31
0541-1255-03	Rear (Generator End) Raw Water Inlet Kit.....	31
0541-1270	Muffler–Water Lift (3 in O.D.).....	38
0541-1272-01	Dry Exhaust .....	49
0541-1272-02	Dry Exhaust Flange.....	50
0541-1274	Water–Exhaust Separator (3 in in O.D.).....	42
0541-1275-01	PTO Clutch Assembly 12 V .....	26
0541-1275-02	PTO Clutch Assembly 24 V .....	26
0541-1280-01	Belt Guard .....	3
0541-1280-02	PTO Belt Guard.....	26
0541-1281	Rear (Generator End) Exhaust Outlet Kit.....	37
0541-1282	Front (Engine End) Exhaust Outlet Kit.....	36
0541-1392-01	Front (Engine End) Raw Water Inlet Kit .....	30
0541-1392-02	Rear (Generator End) Raw Water Inlet Kit.....	31
0541-1395	Sound Shield “C” Front Panel.....	26
0541-1509	Front (Engine End) Fuel System Connection Kit.....	53
0541-1529-XX	Cruise Kits .....	56
0541-1528	90 Degree Exhaust Bulkhead Connection, 3 inch.....	48
0541-1472-01	Rear (Generator End) Exhaust Outlet Kit.....	37

<b>Part number</b>	<b>Description.....</b>	<b>Page</b>
0541-1472-02	Front (Engine End) Exhaust Outlet Kit.....	36
0541-1473	PTO Sound Shield "C" Front Panel.....	26
0541-1619-01	Front (Engine End) Raw Water Inlet Kit .....	30
0541-1619-02	Rear (Generator End) Raw Water Inlet Kit.....	31
0541-1648-01	PTO Clutch Assembly 12V .....	26
0541-1648-02	PTO Clutch Assembly 24V .....	26
0541-1650-01	Belt Guard .....	3
0541-1650-02	Belt Guard .....	3
0541-1650-03	PTO Belt Guard.....	26
0541-1650-04	PTO Belt Guard.....	26
A026M935	Remote Fuel/Water Separator, 30 Micron.....	55
A029E631	Cruise Kit.....	56
A030G027	Sound Shield .....	2
A030G030	Sound Shield .....	2
A030G295	Sound Shield .....	2
A030K475	Sound Shield .....	2
A030J441	Sound Shield .....	2
A030J443	Sound Shield .....	2
A030J146	Sound Shield .....	2
A040A336	Water-Exhaust Separator (2.0 in in O.D.).....	42
A040A341	Water-Exhaust Separator (2.5 in in O.D. inlet x 2.0 in O.D. outlet).....	42
A040A347	Muffler Water Lift .....	44
A040A351	Water Lift Muffler .....	44





Cummins **Onan**



Cummins Power Generation  
1400 73rd Ave. NE  
Minneapolis, MN 55432  
USA  
Phone 1 763 574 5000  
Toll-free 1 800 888 6626  
Fax 1 763 574 5298  
Email [www.cumminsonan.com/contact](http://www.cumminsonan.com/contact)  
[www.cumminsonan.com](http://www.cumminsonan.com)

Cummins®, Onan® the "C" logo, and Performance you rely on.™ are trademarks or registered trademarks of Cummins Inc.

©2011 Cummins Power Generation.  
All Rights Reserved.