

Oil Change System with Gear Pump

Reverso has been the premier maker of oil change systems for over 20 years. This product is installed as standard equipment by a majority of boat builders.

- Reversible (Drains and fills engines)
- Self-priming
- Compact
- Simplifies oil changes
- Reduces chances of oil spills
- Available with valve options 3 - 5

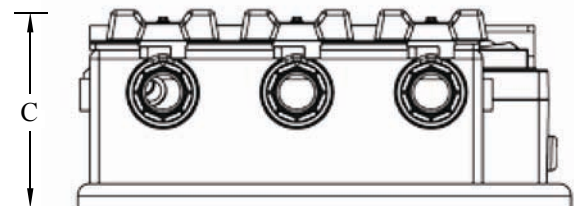
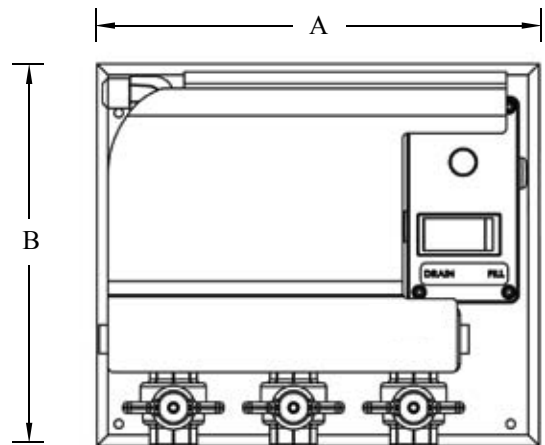
Technical Specification

Pump Port	1/2" Flare
Manifold Ports	1/2" NPT full flow valve
Flow Rate	3 GPM (11.35 LPM)
Self-priming	5 ft (1.52 m) (wet gears)
Lift	15 ft (4.6 m)
Pump body	Brass
Gears	Bronze
Shaft	Stainless Steel
Seal	Fluoroelastomer lip seal
Motor	12V or 24V DC
Breaker	20A@12V, 10A@24V

Pressure	12V Flow	12V Amp	24V Flow	24V Amp
0.2 psi	2.8 GPM	3.9 A	2.9 GPM	1.7 A
10 psi	2.6 GPM	4.8 A	2.8 GPM	2.3 A
15 psi	2.4 GPM	5.3 A	2.6 GPM	2.7 A
20 psi	2.3 GPM	6.3 A	2.6 GPM	3.1 A
25 psi	2.1 GPM	6.7 A	2.4 GPM	3.6 A
30 psi	1.9 GPM	7.5 A	2.3 GPM	4.1 A
35 psi	1.6 GPM	8.3 A	2.3 GPM	4.4 A
40 psi	1.4 GPM	8.5 A	2.1 GPM	4.7 A

Model	A	B	C	Weight
GP-3023	11.5" (292.1mm)	9.5" (241.3mm)	4.5" (114.3mm)	13 lbs (5.90kg)
GP-3024	14.3" (363.2mm)	9.5" (241.3mm)	4.5" (114.3mm)	14 lbs (6.35kg)
GP-3025	14.3" (363.2mm)	9.5" (241.3mm)	4.5" (114.3mm)	15 lbs (6.38kg)

Part Number	Valves	Description
GP-3023-12	3	12 Volt
GP-3023-24	3	24 Volt
GP-3024-12	4	12 Volt
GP-3024-24	4	24 Volt
GP-3025-12	5	12 Volt
GP-3025-24	5	24 Volt



Drawing dimensions for reference only.
 Technical drawings available upon request. Shown: GP-3023-12