

BEP MARINE® - BATTERY DISTRIBUTION CLUSTER



715-V DUAL BATTERY CHARGING CLUSTERS

To be used on following systems:

- Single outboard dual battery bank
- Single alternator dual battery bank
- Twin alternator dual battery bank



715-V

716-SQ-140A-DVSR DUAL BATTERY CHARGING CLUSTERS

For use on charging systems up to 150A. To be used on following systems:

- Single outboard dual battery bank
- Single alternator inboard engine dual battery bank



716-SQ-140A-DVSR

715-S DUAL BATTERY CHARGING CLUSTERS

The 715-S is designed for systems with twin engines and 2 batteries. The house loads can be switched between port and starboard battery.

The selector switch can also be used to parallel the batteries when in both position.



715-S

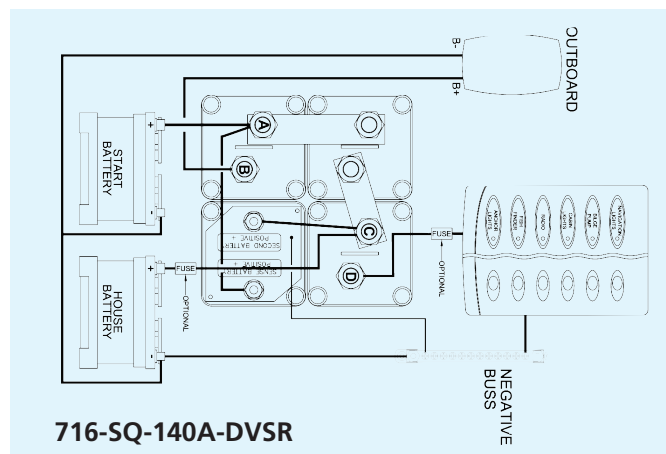
717-140A-DVSR THREE BATTERY CHARGING CLUSTERS

This system is designed for twin outboard installations using outboards without AUX outputs. It will allow the port engine to charge the port start battery and the house battery when the VSR is engaged. It will also allow the starboard engine to charge the starboard start battery and the house battery when the starboard VSR is engaged, giving a combined charge from two outboards into the house battery until the voltage regulators on both engines control the charge. It will also allow the house battery to be charged if steaming on one engine.

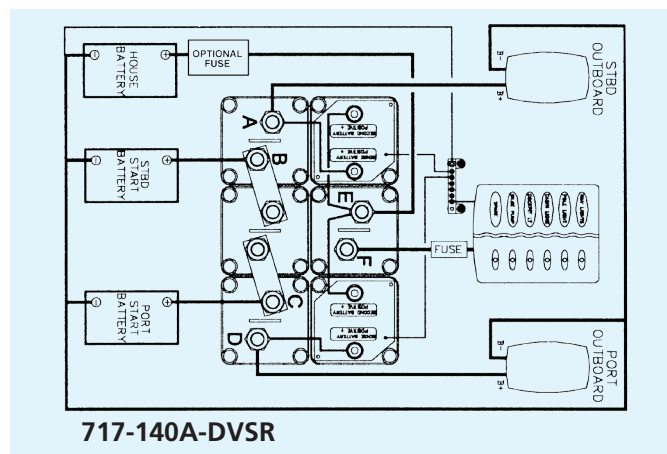


717-140A-DVSR

MODEL	PART No.	ENGINE/BATTERIES	ORIENTATION	DIMENSIONS mm (") L x H
715-V	68856 X	Single inboard or outboard engine/2 banks	RECTANGULAR	207 x 69 (8.1 x 2.75)
716-SQ-140A-DVSR	68102 S	Single inboard or outboard engine/2 banks	SQUARE	138 x 138 (5.4 x 5.4)
715-S	65352 A	Twin inboard or outboard engine/2 banks	RECTANGULAR	138 x 69 (5.4 x 2.75)
717-140A-DVSR	68103 U	Twin outboard engine/3 banks	RECTANGULAR	207 x 138 (8.1 x 5.4)



716-SQ-140A-DVSR



717-140A-DVSR