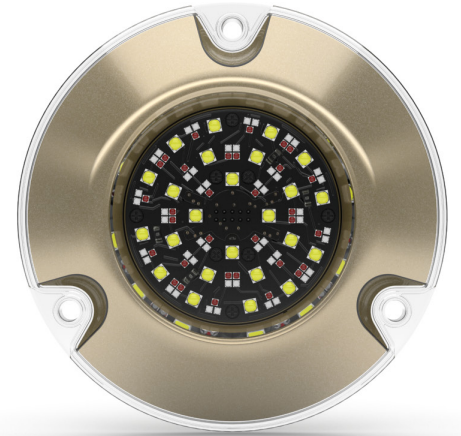


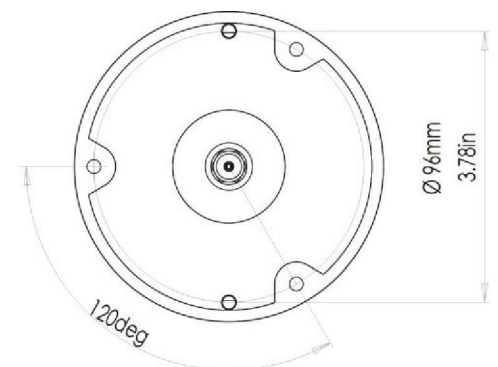
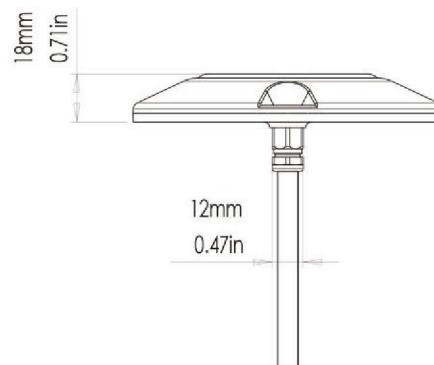
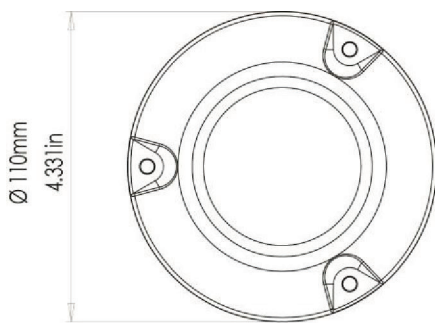
**EOS Series - Color Change**

# SMX152

SURFACE MOUNT UNDERWATER LED LIGHT



PART DESCRIPTION	EOS SMX152 SURFACE MOUNT UNDERWATER LED LIGHT
Available Colors	Full Color Change (RGBW)
Lumens	14,400
Fixture Lumens (White)	6,400
Number & Type Of LED	White-24×10W / Green-24×3W / Blue-24×3W / Red-32×3W
LED Power - HICOB Array	Yes
Typical LED Life	50,000+ Hours
Warranty	2 Years
User Control Options	Lumi-Switch / EOS Mini / EOS Mini Wi-Fi
EOS Mini Wi-Fi Starter Pack	1 x EOS Mini Wi-Fi Controller, 1 x Lumi-Hub, 2 x SMX 152 Lights (PN: 60-0192)



## EOS Series - Color Change

## SMX152

SURFACE MOUNT UNDERWATER LED LIGHT

TECHNICAL	
Driver	Multi-Channel Internal Driver
Supply Voltage	10.5–31 V DC
Max Current Draw 12/24V	5.0A/2.6A
Surge Protection	Yes (3,000V)
ATRB (Automatic Thermal Roll-Back)	Yes
Low Voltage Protection	Automatic Voltage Roll-Back Control And Low Voltage Cut Out
Auto Power Control	Yes - Intelligent Multi-Channel Power Management
“Soft Start” Electronics Protection	Yes
Reverse Polarity Protection	Yes
In Rush Current Protection	Yes
Power Line Noise Suppression	Yes
Bonding	Not Required
Communications Protocol	Lumi-DMX (DMX 512 and RDMX Compatible)

PHYSICAL	
Beam Angle	90°
Water Ingress Protection Rating	IP68
Light Face Diameter	110mm (4.33")
Profile (Height) Of Housing	18mm (0.71")
Housing Type	Polymer Mold With Thermal-Core
Cable Length	3M (9'9") Standard / 3M (9'9") Extension Cable / Note: 6M (19'6") Max Length Per Light For 12V
Hole Cut-Out For Cable	13.5mm (0.53")
Weight	320g (0.7Lbs)
Bonding	Not Required
Installation	Three (3) Stainless Steel Screws (Supplied)

LIGHTING SYSTEM FUNCTIONALITY	
Manufacturer Preset Colors	Yes
Lights Synchronized (All Lights, All Colors, All Modes)	Yes
Fixed Strobe (2-Speed)	Yes
Color Cycle	Yes
Cycle Speed Adjust	Yes*
Color Sweep	Yes*
Color Sweep Speed Adjust	Yes*
Customizable Favorites	Yes*
Fixed Strobe (Any Color)	Yes*
Random Strobe Mode (Any Color)	Yes*
Customizable Strobe Mode	Yes*
Wi-Fi Control (App)	Yes* (eos mini Wi-Fi only)
External DMX/RDMX	Yes*
Individually Addressable Lights	Yes*
Sound-To-Light	Yes*
Automatic Light Discovery And Setup	Yes*
Light Brightness Adjustment	Yes*
Diagnostic Function	Yes*

\*Available With EOS Mini Or EOS Mini Wi-Fi

ACCESSORIES	PART NUMBER
Lumi-Hub (Controls Up To 4 Lights)	60-0179
Lumi-Switch (Smart Switch)	60-0202
EOS Mini	60-0203
EOS Mini Wi-Fi	60-0204
SMX152 Master Light (One (1) Per System)	60-0178
SMX152 Secondary Light	60-0177
Extension Cable - 3M (9'9")	24-0121