



# RITCHIE<sup>®</sup> NAVIGATION

Catalog of Precision Crafted Compasses



*Navigation Begins with the Right Compass*

Visit us at [www.ritchienavigation.com](http://www.ritchienavigation.com)

# *The Best of Both Worlds...*

## *GPS and Ritchie – Working Together*

One way to achieve optimal performance and safety with your Ritchie compass is by using your electronic and magnetic navigation data together. By doing this, you get the best of both worlds. Your GPS informs you of your boat's position and calculates the speed and direction in which your boat has been traveling, while your compass tells you your real-time heading. Wind, current and boat speed can all create a discrepancy between what your GPS says and what's really happening. *And that's where a Ritchie compass comes in.*



*For more information or to download Ritchie's Complete Guide to Compass Navigation, visit:*

**[www.ritchienavigation.com](http://www.ritchienavigation.com)**



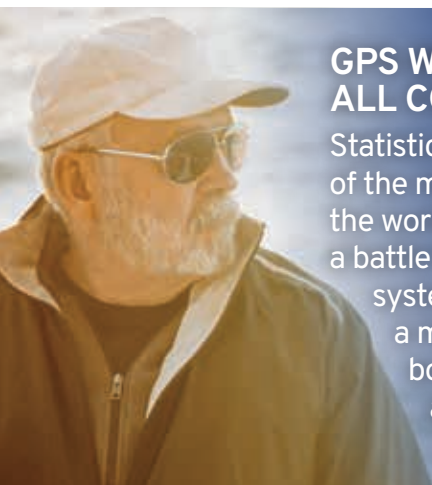
## GPS FAILURE REQUIRES DEAD RECKONING

There's no land in sight. Not for weeks. And if your electronics cut out at any time, you'd better be ready to do some serious dead reckoning. That means paper charts, a pencil, and a magnetic compass.



## GPS CAN COST YOU GAS

Running a deepwater fishing charter business. And fuel costs can kill profits. By locking on a heading with a compass, customers get to where the fish are as fast and efficiently as possible. It's not just a safety decision. It's a business decision.



## GPS WONT WORK UNDER ALL CONDITIONS

Statistically, commercial fishing is one of the most dangerous occupations in the world. A day at work can become a battle for survival. Your navigation system needs to be anchored by a magnetic compass. It's the bottom line of safety for crew and craft.





# RITCHIE® NAVIGATION

***Navigation begins with the right compass.  
We're Committed To Quality***

*Since 1850, Ritchie has been making only one thing – compasses. Which means every ounce of our time and energy goes into precision-crafting the highest quality product available. When you've invested so much in your boat, that kind of commitment makes all the difference.*

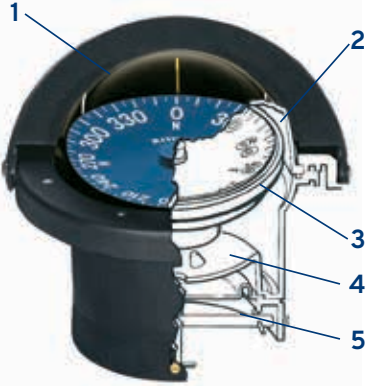
## **Table of Contents**

Why you need a Ritchie.....	pgs 2, 3
Anatomy of a Compass.....	pg 5
Compass Selection, Installation and Positioning.....	pg 6
Compass Dial Designs.....	pg 6
Balancing Compass Dials.....	pg 7
Wheelmark Compasses.....	pgs 8, 9, 10
SuperSport™ Compasses.....	pgs 11, 12
Kayak Compasses, Small Sailboat Compasses & Accessories.....	pgs 13, 14
Fishing Boat Compasses.....	pg 15
RitchieSport® Compasses.....	pg 16
Wetnotes.....	pg 17
Explorer™ Compasses.....	pgs 17, 18, 19
Voyager® Compasses.....	pgs 20, 21
Helmsman™ Compasses.....	pgs 22, 23
Venture® Compass.....	pg 23
Navigator™ Compasses.....	pgs 24, 25
Globemaster® Compasses.....	pgs 26, 27, 28
Skylight Binnacles for Globemaster®.....	pg 29
Super Yacht Compasses.....	pg 30
Steel and Commercial Boat Compasses.....	pgs 31, 32
Globemaster® Shock Mount Compasses.....	pg 33
Navy Standard Compasses.....	pg 34



# Accuracy from the inside out.

When properly sized, installed and compensated a marine compass is the most important instrument on any boat. It will provide accurate, trouble-free heading references under the most adverse conditions without relying on electricity, radio signals or satellite communications. The most important criteria when selecting a compass are dial size and mounting style. Quality components aid accuracy, smooth response, stability and trouble-free operation. Although the size and shape of Ritchie Compass models may vary, this cutaway engineering illustration is representative of the modern technology that makes Ritchie Compasses the World's Best Marine Compasses.



## 1 Compass Dome

The dome provides clear and accurate magnification of the dial. Our domes are made exclusively for Ritchie using a heavy-duty, optically clear polymer.

## 2 Compass Bowls & Housings

Bowls and housings are made from brass, or high-strength glass reinforced polymers.

## 3 Gimbal Systems

All Ritchie Compasses are engineered to operate normally within their environment without bottoming out due to the pitch and roll or heel of the boat. An internal gimbaling system is most often applied to provide this important function. This illustration shows the bi-axis gimbal system used in many Ritchie models. This dial assembly is suspended by Gimbal Rings and Pans formed from ultra lightweight aluminum and held in place with spring loaded brass pins. A Brass Counter Balance keeps the entire system level.

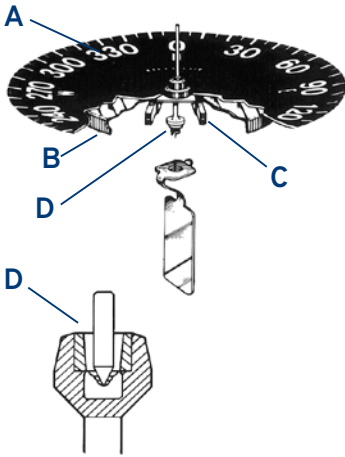
## 4 Fluid Baffle & Roller Diaphragm

Baffles reduce turbulence in the dampening fluid. Diaphragms allow the fluid to expand or contract with changes in temperature or pressure without forming bubbles.

## 5 Corrector Magnets

Deviation occurs when something on board your boat draws the compass magnets away from their attraction to the earth's magnetic field; i.e. masses of iron, engines, electric motors, electronics with speaker magnets, batteries, electronic instruments, tachometers with magnets, engine controls, steering wheels and electric appliances.

All Ritchie compasses that are intended for use on boats that could have deviation problems, have built-in compensators. These compensators are non-interactive magnets that are balanced and optimally spaced for accurate correction. Compensation instructions are included.



## A Ritchie Dials

Dial measurements are given in the apparent visual size. Models are available in sizes from 2" (5.08cm) to 6" (15.24cm) in diameter. In many models you can select either a Traditional Flat Card or Direct Reading Dial. The CombiDial™, which is both a flat card and direct reading dial in one, is also available in several Voyager, Helmsman and Navigator models.

## B Powerdamp® Performance

Each dial is engineered to provide the ultimate in steady, smooth performance and easy readability. Traditional Flat Dials are equipped with Ritchie's race proven PowerDamp® system, a lightweight baffle that eliminates spinning and dial jumping at high speeds and in rough conditions. Direct Reading and CombiDial™ dials are formed so that their shape also provides PowerDamp performance.

## C Directiveforce™ Magnets

Ritchie uses special High Gauss Magnets that are field balanced and matched to each compass model, dial style and size. They are attached to the underside of the dial in pairs matched to seek and lock on to magnetic north. This provides superior accuracy and smooth, rapid response.

## D Pivot and Jewel Movement

All Ritchie Compasses use a Hardened Steel Pivot and Triple Cup Sapphire Jewel Movement. They are microscopically matched to provide smooth dial operation and fast lock-on, under the most severe conditions. There are no plastic pivots or jewels in Ritchie Compasses.

## Repairability & Warranty

All Ritchie compasses are 100% repairable and are backed by Ritchie's exclusive 5-year Warranty. See the "warranty" section on the back cover for complete details.

# Selecting, installing & positioning your compass.

When you choose your compass, you should always consider four things: mounting style, size, readability of the card and the design of your boat. Our guide below will help you select the Mounting Style and Dial Design that best suit your boat. You'll find more information on utilizing and optimizing your compass in Ritchie's Complete Guide to Compass Navigation. Download it for free at [www.ritchienavigation.com](http://www.ritchienavigation.com)



## Positioning

In an ideal situation, a compass should be mounted directly in front of the helm, as well as directly above the centerline of the hull. If this is not possible, the compass should be mounted parallel to the centerline. And on powerboats with upper steering stations, you should have a compass installed at both locations.

## Mounting Styles



**Dash Mount**  
*Ideal for powerboats with limited dash space*



**Bulkhead Mount**  
*Often used on sailboats to reduce interference with lines and to save space*



**Bracket Mount**  
*Can be mounted on the deck or dash; allows compass to remain at proper viewing angle*



**Flush / Surface Mount**  
*Ideal for today's compact helm designs*



**Binnacle Mount**  
*Features an outer case, often with a light-shielding hood*



*Ritchie has available special custom fit covers for many models.*

## Dial Design

Wherever your compass is positioned on your boat, you'll need a dial that provides you with ultimate readability in every condition you encounter.



**Combi-Dial**  
*A combination of the direct-read and flat-card designs; incorporates dials that can be read from both above and directly in front of the compass and maximizes readability from any angle*



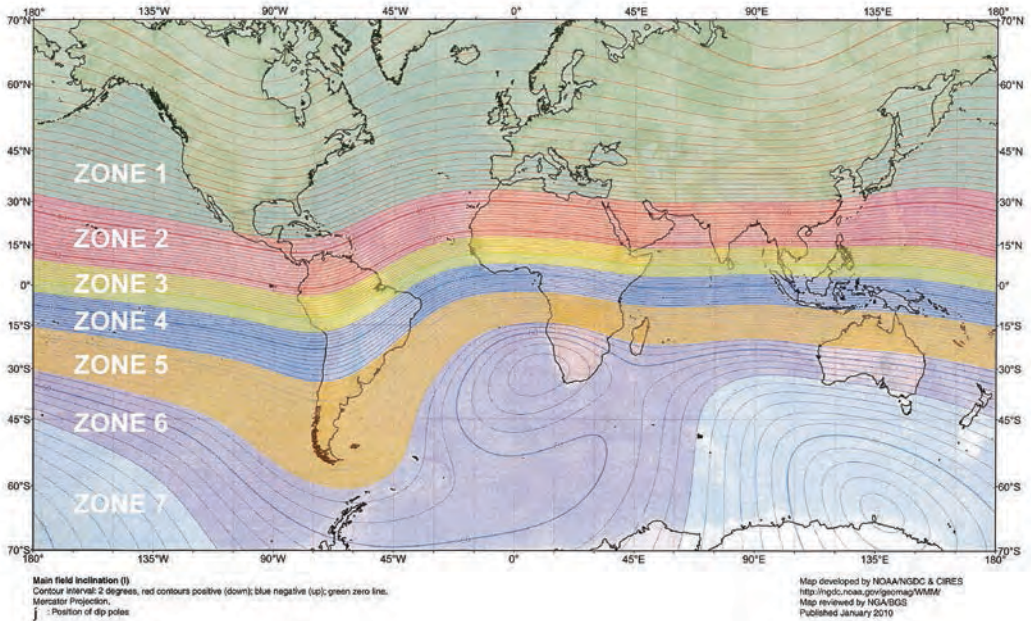
**Flat-Card Dial**  
*Allows you to look down on the compass to see the course heading*



**Direct-Read Dial**  
*Allows you to see the compass heading and lubber line from directly in front; good for when boat design requires your compass to be positioned at eye level*

# Balancing Compass Dials

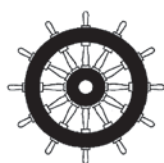
US/UK World Magnetic Model – Epoch 2010.0  
Main Field Inclination (I)



Dials in magnetic compasses should be balanced to compensate for dip caused by the earth's magnetic field. All Ritchie Compasses are standard balanced for Zone 1 (essentially all of the northern hemisphere). **Compasses cannot be Zone Balanced in the field.** If unsure of the correct zone to order, contact our Sales Department at [sales@ritchienavigation.com](mailto:sales@ritchienavigation.com) for additional information.

Purchase an appropriately zoned compass that is central to your boating area for example:

Country	Rec. Zone Balance
Australia	Zone 6
Brazil	Zone 4 or 5
Guam	Zone 3
Panama	Zone 2



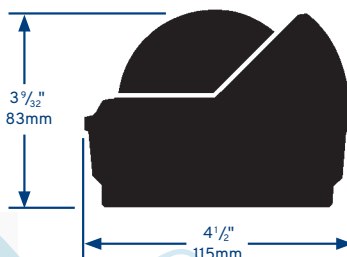
# Wheelmark Compasses

The Wheelmark approval is for Lifeboat and Rescue boat compasses. These compasses are also suitable for sailboats, power boats and motor sailing vessels. The -WM suffix signifies type approval and compliance with the Navigation requirements of Marine Equipment Directive. Wheelmark certificates can be downloaded from our website, [www.ritchienavigation.com](http://www.ritchienavigation.com)



## Ritchie Voyager® S-87-WM & S-87W-WM, 3" Dial

Dial Size/Design	3" (76mm)/CombiDial
Night Lighting	12V Green
Compensators	Built-in
Warranty	5-Year
Approx. Shipping Wt.	1 lb. 3 oz. (539g)



S-87W-WM



S-87-WM

SURFACE MOUNT



For more information including articles, downloads and our Complete Guide to Compass Navigation, visit: [www.ritchienavigation.com](http://www.ritchienavigation.com)



# Wheelmark Compasses

## Ritchie Voyager® F-83-WM & F-83W-WM, 3" Dial

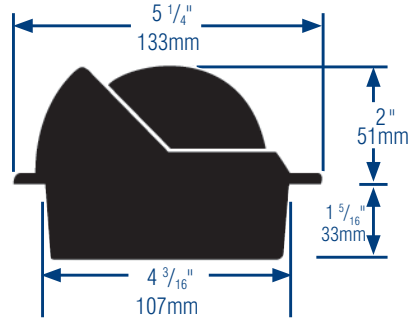
Dial Size/Design	3" (76mm)/CombiDial
Night Lighting	12V Green
Compensators	Built-in
Mounting Hole	4 3/16" (107mm)
Warranty	5-Year
Approx. Shipping Wt.	1 lb. 4 oz.(567g)



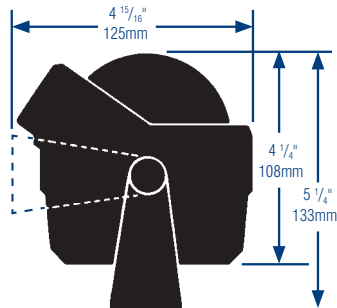
F-83W-WM



F-83-WM

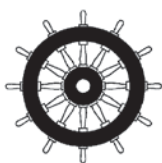


B-81-WM



## Ritchie Voyager® B-81-WM, 3" Dial

Dial Size/Design	3" (76mm)/CombiDial
Night Lighting	12V Green
Compensators	Built-in
Warranty	5-Year
Approx. Shipping Wt.	1lb. 8 oz. (680g)



# Wheelmark Compasses

The Wheelmark approval is for Lifeboat and Rescue boat compasses. These compasses are also suitable for sailboats, power boats and motor sailing vessels. The -WM suffix signifies type approval and compliance with the Navigation requirements of Marine Equipment Directive. Wheelmark certificates can be downloaded from our website, [www.ritchienavigation.com](http://www.ritchienavigation.com)

FLUSH MOUNT

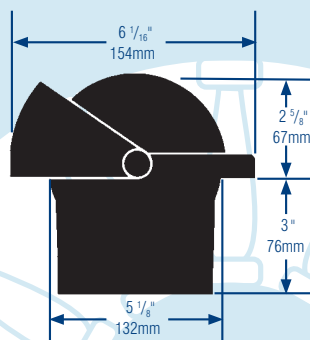


FN-201W-WM

FN-201-WM

## Ritchie Navigator™ FN-201-WM & FN-201W-WM, 4½" Dial

Dial Size/Design	4 ½" (114mm)/Flat-Card
Night Lighting	12V Green
Compensators	Built-in
Mounting Hole	5 1/8" (130mm)
Warranty	5-Year
Approx. Shipping Wt.	2 lb. 10 oz. (1.19kg)
Protective Cover	Model No. N-203-C



BINNACLE MOUNT



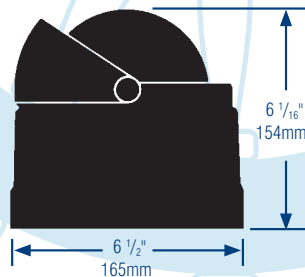
DNW-200-WM

DNP-200-WM

DNB-200-WM

## Ritchie Navigator™ DNW-200-WM, DNP-200-WM & DNB-200-WM, 4½" Dial

Dial Size/Design	4 ½" (114mm)/Flat-Card Dial
Night Lighting	12V Green
Compensators	Built-in
Warranty	5-Year
Approx. Shipping Wt.	3 lb. 10 oz. (1.65kg)
Protective Cover	Model No. N-203-C



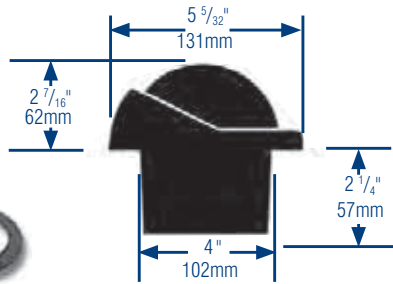
Weather Shield Model No. WS-P  
(Sold Separately)

# SuperSport™ Compasses

Developed for and tested on offshore race boats, the SuperSport Series compasses feature the PowerDamp® Plus dial. This dial technology features the PowerDamp® dial skirt to prevent oscillation, larger DirectiveForce™ magnets for quick lock on and extra-large steel pivots and jewels for smooth fast action.

## SuperSport™ SS-1002, 3¾" Dial

Dial Size/Design	3 ¾" (94mm)/Blue PowerDamp Plus Flat-Card Dial
Night Lighting	12V Green
Compensators	Built-in
Mounting Hole	4" (102mm) – 5" (128mm) w/adaptor ring
Warranty	5-Year
Approx. Shipping Wt.	2 lb. (907g)
Protective Cover	Model No. H-741-C

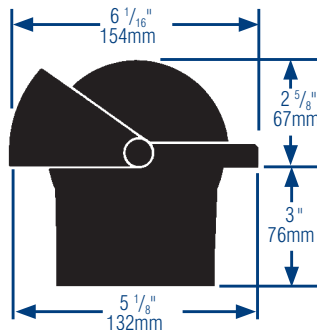


**Adapter Rings** (may be purchased if needed)

6" (15.24cm) retrofits the existing mounting hole for Model Numbers SS-1002 and SS-1002W. Adapter Model Numbers: H-ABLK (black) and H-AWHT (white).

## SuperSport™ SS-2000, 4½" Dial

Dial Size/Design	4 ½" (114mm)/Blue PowerDamp Plus Flat-Card Dial
Night Lighting	12V Green
Compensators	included
Mounting Hole	5 ½" (130mm)
Warranty	5-Year
Approx. Shipping	Wt. 2 lb. 10 oz. (1.19kg)
Protective Cover	Model No. N-203-C



FLUSH MOUNT

FLUSH MOUNT

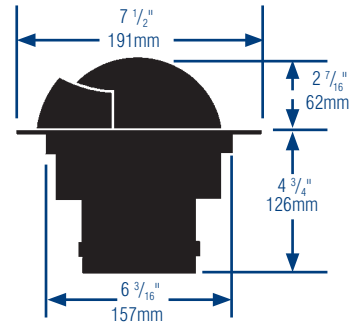
# SuperSport™ Compasses

FLUSH MOUNT



## SuperSport™ SS-5000, 5" Dial

Dial Size/Design	5" (127mm)/ PowerDamp Plus Flat-Card Dial
Night Lighting	12V Green/24V or 32V by order
Compensators	Built-in
Mounting Hole	6 1/4" (159mm)
Warranty	5-Year
Approx. Shipping Wt.	5 lb. 12 oz. (2.6kg)
Protective Cover	Model No. LL-C



SS-5000W

SS-5000

BULKHEAD MOUNT



## SuperSport™ SS-PR2, 3 3/4" Dial

Dial Size/Design	3 3/4" (9.35cm)/CombiDial
Night Lighting	12-24V Blue
Compensators	included
Mounting Hole	4 1/2" (12.2cm)
Warranty	5-Year
Approx. Shipping Wt.	2 lb. (.91kg)
Protective Cover	BK-0019 ASY
SR-CM2 Compensator	included

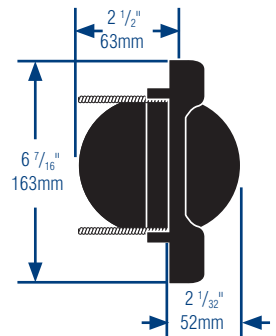
Mount at any angle  
up to 45°



SR-CM2 Compensator included



Front Cover  
BK-0019 ASY





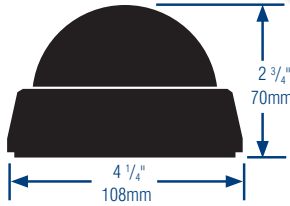
# Kayak Compasses and Accessories

## Ritchie Kayaker™ XP-99, 3" Dial

Dial Size/Design 2 3/4" (76mm)/CombiDial  
 Warranty 5-Year  
 Approx. Shipping Wt. 1 lb. (454g)

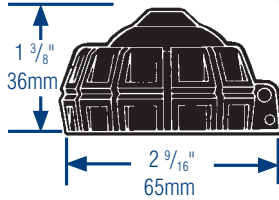
### Kayaker Tie-Downs

K-TD.2 (compass not included)  
 Designed for Mounting the Ritchie Kayaker. No drill, no holes in the deck, flexible pad and foam ring easily conform to deck shape, won't scratch finishes.



## Ritchie SportAbout™ X-11Y, 2" Dial

Dial Size/Design 2" (51mm)/Direct-Read Dial  
 Night Lighting 3 Cyalume® Light Sticks Included  
 Warranty 5-Year  
 Approx. Shipping Wt. 1 lb. (454g)



X-TD Tie-Down  
 (compass not included)

## Sportabout™ Compass Holder

The SportAbout Holder can be deck mounted to make your SportAbout a Steering Compass on small boats. For convenient storage, mount the Holder on a Bulkhead



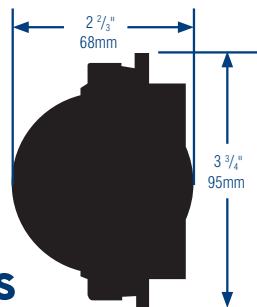
SportAbout™ Holder  
 White - X-11-HW  
 Black - X-11-H

# Kayak Compasses



## Ritchie V-527, 2 3/4" Dial

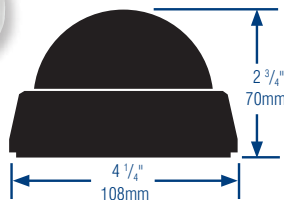
Boat Style/Size	Kayaks
Dial Size/Design	2 3/4" (70mm)/Direct-Read Dial
Night Lighting	N/A
Compensators	Built-in
Warranty	5-Year
Viewing	Adjustable up to 45°
Approx. Shipping Wt.	1lb. (454g)



# Small Sailboat Racing Compasses

## Ritchie X-Port Tactician™ XP-98W, 3" Dial

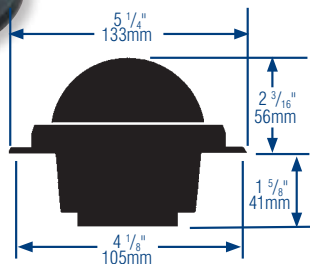
Dial Size/Design	3" (76mm)/CombiDial with Tactical Quadrants to show Wind Shifts and Headers
Warranty	5-Year
Approx. Shipping Wt.	1lb. (454g)



## Ritchie Voyager® RU-90, 3" Dial

Boat Style	small racing sailboats
Dial Size/Design	3" (76mm)/Blue Flat-Card Dial
Night Lighting	none*
Mounting Hole	4 1/8" (105mm)
Warranty	5-Year
Approx. Shipping Wt.	1 lb. 4 oz. (567g)

\*Light Kit VL-100 available for RU-90



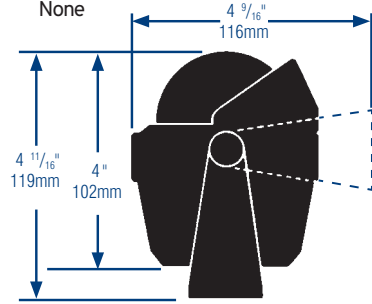
For more information including articles, downloads and our Complete Guide to Compass Navigation, visit: [www.ritchienavigation.com](http://www.ritchienavigation.com)

# Fishing Boat Compasses



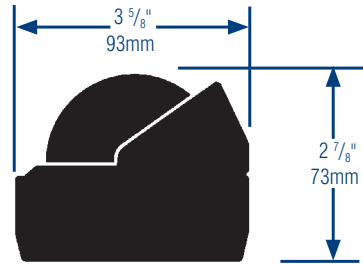
## Ritchie Angler® RA-91, 2¾" Dial

Dial Size/Design	2¾" (70mm)/Blue Direct-Read Dial
Night Lighting	12V Green
Compensators	Built-in
Warranty	5-Year
Approx. Shipping Wt.	1 lb. (454g)
Protective Cover	None



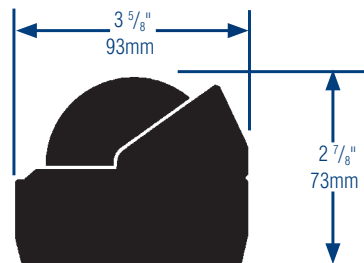
## Ritchie Angler® RA-93, 2¾" Dial

Dial Size/Design	2¾" (70mm)/Blue Direct-Read Dial
Night Lighting	12V Green
Compensators	Built-in
Warranty	5-Year
Approx. Shipping Wt.	1 lb. (454g)



## Off 90° Compass S-OFF90, 2¾" Dial

Dial Size/Design	2¾" (70mm)/Direct-Read Dial
Night Lighting	12V Green
Compensators	Built-in
Warranty	5-Year
Approx. Shipping Wt.	1 lb. (454g)
Viewing	90° off for viewing from starboard



# RitchieSport® Compasses

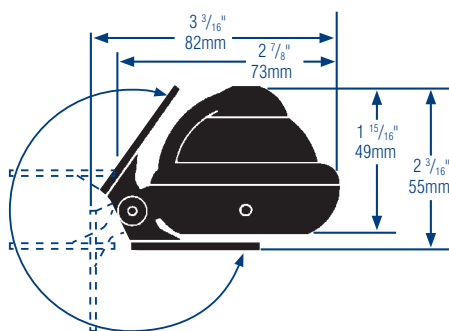


## RitchieSport® X-10, 2" Dial

Dial Size/Design	2" (51mm)/Direct-Read Dial
Night Lighting	12V Green
Compensators	Built-in
Warranty	5-Year
Approx. Shipping Wt.	5 oz. (142g)

### Adjustable Reversible Bracket Mount

The fully adjustable and reversible Bracket allows a mounting range of over 300° from overhead, through angled and vertical mounts to horizontal surfaces. These mounting position options and your choice of mounting hardware permit mounting on everything from windshield or supporting frame structures, to slanted dashboards and consoles, to almost any flat, angled or vertical surface.



X-21BB



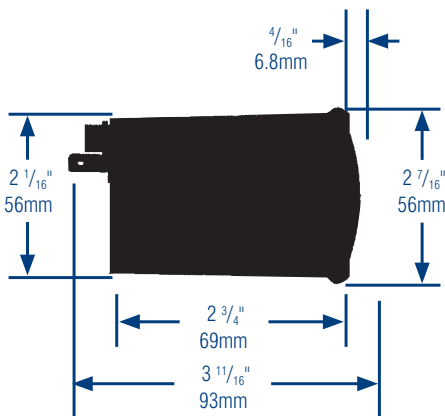
X-21BU

X-21WW



## RitchieSport® X-21, 2" Dial

Dial Size/Design	2" (51mm)/Direct-Read Dial
Night Lighting	12V Green
Compensators	None
Viewing	Adjustable to 30°
Mounting Hole	2 1/16" (56mm) Std. 2" gauge hole
Warranty	5-Year
Approx. Shipping Wt.	5 oz. (142g)





# Wetnotes™ W-35 & W-50



WetNotes are ideal for any on-the-water record keeping, from jotting down favorite fishing spots to grocery lists. Completely waterproof so they may be used underwater, WetNotes are available in two sizes: the Large 4 ½" x 7 ¼" Notebook and the Small 3" x 5" Pocket Notebook. WetNotes can be used with a regular soft lead pencil (supplied with W-50 Notebook), opens flat for easy writing, has easily removable pages and a tough international safety yellow vinyl cover.

WetNotes Model W-50 includes 45 pages, vinyl cover and pencil

WetNotes Model W-35 includes 40 pages, self cover

# Explorer™ Compasses



B-51W

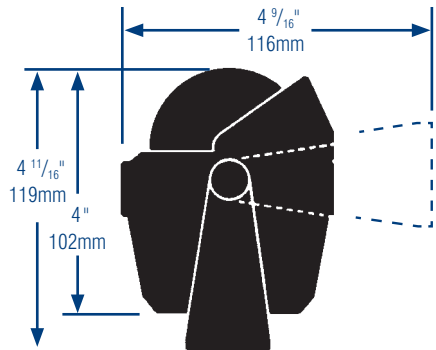


B-51G

B-51

## Ritchie Explorer™ B-51, 2 ¾" Dial

Dial Size/Design	2 ¾" (70mm)/Direct-Read Dial
Night Lighting	12V Green
Compensators	Built-in
Warranty	5-Year
Approx. Shipping Wt.	1 lb. (454g)



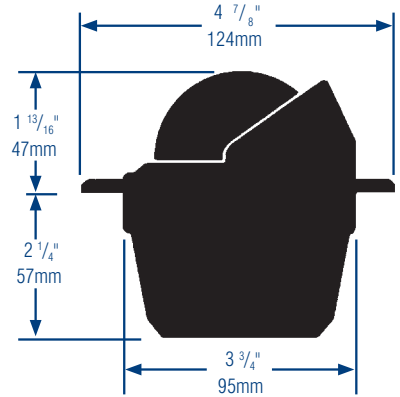
# Explorer™ Compasses

FLUSH MOUNT



## Ritchie Explorer™ F-50, 2 3/4" Dial

Dial Size/Design	2 3/4" (70mm) / Direct-Read Dial
Night Lighting	12V Green
Compensators	Built-in
Mounting Hole	3 3/4" (95mm)
Warranty	5-Year
Approx. Shipping Wt.	1lb. (454g)

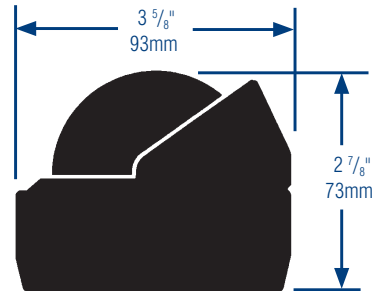


SURFACE MOUNT



## Ritchie Explorer™ S-53, 2 3/4" Dial

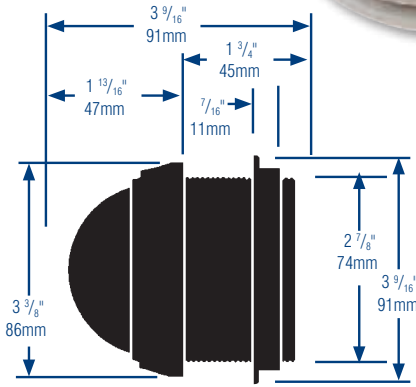
Dial Size/Design	2 3/4" (70mm) / Direct-Read Dial
Night Lighting	12V Green
Compensators	Built-in
Warranty	5-Year
Approx. Shipping Wt.	1lb. (454g)



# Explorer™ Compasses

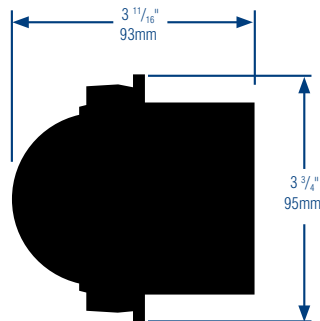
## Ritchie Explorer™ V-57.2, 2¾" Dial

Dial Size/Design	2 ¾" (70mm)/Direct-Read Dial
Night Lighting	12V
Viewing	Adjustable to 30°
Compensators	Built-in
Mounting Hole	3" (76mm) Instrument Hole
Warranty	5-Year
Approx. Shipping Wt.	1 lb. (454g)



## Ritchie Explorer™ V-537, 2¾" Dial

Dial Size/Design	2 ¾" (70mm)/Direct-Read Dial
Night Lighting	12V
Viewing	Adjustable to 30°/ Heel angle to 25°
Compensators	Built-in
Mounting Hole	3" (76mm)
Warranty	5-Year
Approx. Shipping Wt.	1 lb. (454g)



# Voyager® Compasses

FLUSH MOUNT



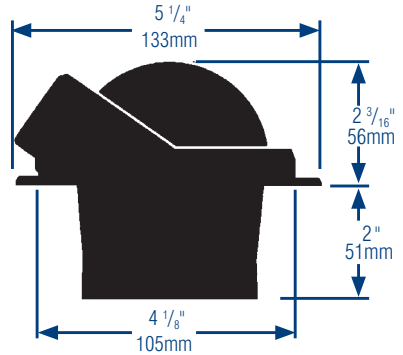
F-82



F-82W

## Ritchie Voyager® F-82, 3" Dial

Dial Size/Design	3" (76mm)/Flat-Card Dial
Night Lighting	12V Green
Compensators	Built-in
Mounting Hole	4 1/8" (105mm)
Warranty	5-Year
Approx. Shipping Wt.	1 lb. 8 oz.(680g)



F-83W

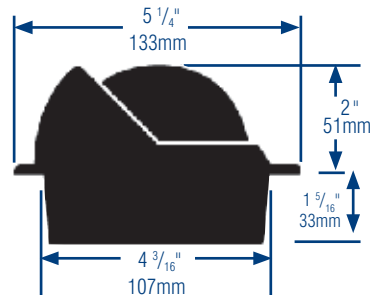


F-83



## Ritchie Voyager® F-83, 3" Dial

Dial Size/Design	3" (76mm)/CombiDial
Night Lighting	12V Green
Compensators	Built-in
Mounting Hole	4 3/16" (107mm)
Warranty	5-Year
Approx. Shipping Wt.	1 lb. 4 oz.(567g)



FLUSH MOUNT

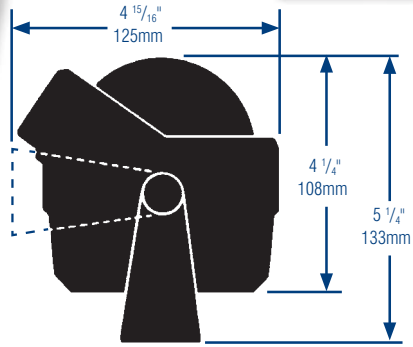


# Voyager® Compasses



## Ritchie Voyager® B-80 & B-81, 3" Dial

Dial Size/Design 3" (76mm)/Flat-Card or CombiDial  
 Night Lighting 12V Green  
 Compensators Built-in  
 Warranty 5-Year  
 Approx. Shipping Wt. 1lb. 8oz. (680g)



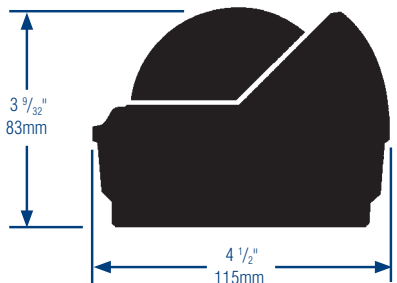
## Ritchie Voyager® S-87, 3" Dial

Dial Size/Design 3" (76mm)/CombiDial  
 Night Lighting 12V Green  
 Compensators Built-in  
 Warranty 5-Year  
 Approx. Shipping Wt. 1lb. 3 oz. (539g)



S-87

S-87W



# Helmsman™ Compasses

FLUSH MOUNT



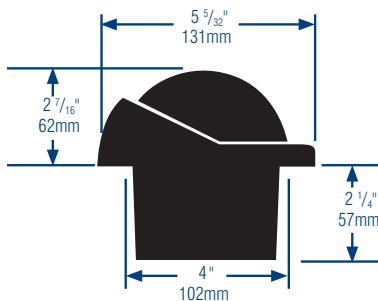
HF-742



HF-743

HF-742W

HF-743W



## Ritchie Helmsman™ HF-742 & HF-743, 3 3/4" Dial

Dial Size/Design	3 3/4" (94mm) / Flat-Card or CombiDial
Night Lighting	12V Green
Compensators	Built-in
Mounting Hole	4" (102mm), 5" (128mm) w/adapter ring
Warranty	5-Year
Approx. Shipping Wt.	2lb. (907g)
Protective Cover	Model No. H-741-C



### Adapter Rings (may be purchased if needed)

6" (152mm) retrofits the existing mounting hole for Model Numbers HF-72s, HF-73s and HF-79s. Adapter Model Numbers: H-ABLK (black) and H-AWHT (white).

BRACKET MOUNT

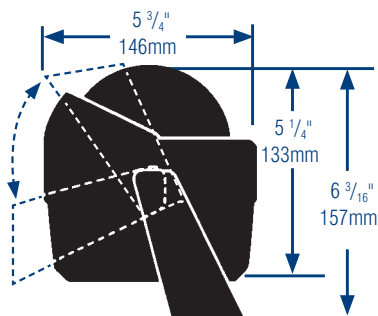


HF-740

HF-741

## Ritchie Helmsman™ HB-740 & HB-741, 3 3/4" Dial

Dial Size/Design	3 3/4" (94mm)/Flat-Card or CombiDial
Night Lighting	12V Green
Compensators	Built-in
Warranty	5-Year
Approx. Shipping Wt.	2 lb. (907g)
Protective Cover	Model No. H-741-C



# Helmsman™ Compasses



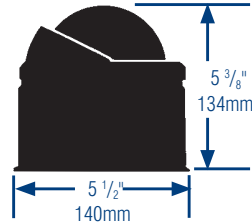
HD-744



HD-745

## Ritchie Helmsman™ HD-744 & HD-745, 3 3/4" Dial

Dial Size/Design	3 3/4" (94mm)/Flat-Card or CombiDial
Night Lighting	12V Green
Compensators	Built-in
Warranty	5-Year
Approx. Shipping Wt.	2 lb. (907g)
Protective Cover	Model No. H-741-C



# Venture® Compass *(Sailboats only)*



Back Cover  
BK-0020

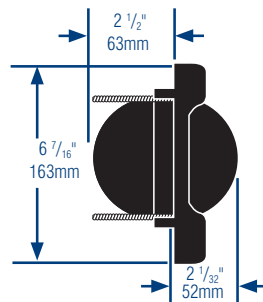
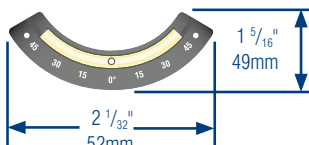


SR-CM2 Compensator  
(may be purchased if needed)

## Ritchie Venture™ SR-2, 3 3/4" Dial

Dial Size/Design	3 3/4" (94mm)/CombiDial
Night Lighting	12-24V Blue
Compensators	SR-CM2 Sold Separately
Mounting Hole	4 1/2" (113mm)
Warranty	5-Year
Approx. Shipping Wt.	2 lb. (.91kg)
Protective Cover	BK-0019 ASY
INC-45	Included

INC-45 Clinometer



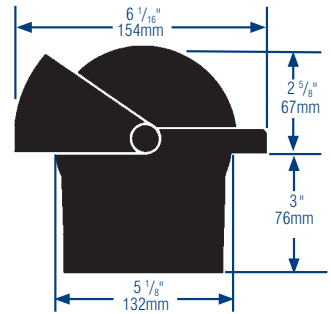
# Navigator™ Compasses

FLUSH MOUNT



## Ritchie Navigator™ FN-201 & FN-203, 4½” Dial

Dial Size/Design	4 ½” (114mm)/Flat-Card or CombiDial
Night Lighting	12V Green
Compensators	Built-in
Mounting Hole	5 ⅞” (130mm)
Warranty	5-Year
Approx. Shipping Wt.	2 lb. 10 oz. (1.19kg)
Protective Cover	Model No. N-203-C



BINNACLE MOUNT

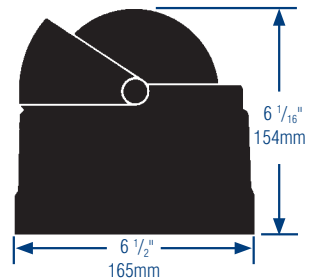


## Ritchie Navigator™ DNP-200, 4½” Dial

Dial Size/Design	4 ½” (114mm) / Flat-Card Dial
Night Lighting	12V Green
Compensators	Built-in
Warranty	5-Year
Approx. Shipping Wt.	3 lb. 10 oz. (1.65kg)
Protective Cover	Model No. N-203-C



Weather Shield  
Model No. WS-P  
(Sold Separately)



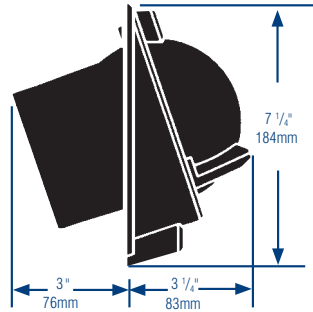


# Navigator™ Compasses



## Ritchie Navigator™ BN-202, 4½" Dial

Dial Size/Design	4 ½" (114mm) / CombiDial
Night Lighting	12V
Compensators	Built-in
Mounting Hole	5 ¾" (146mm)
Warranty	5-Year
Approx. Shipping Wt.	2 lb. 5 oz. (1.05kg)
Protective Cover	Model No. BN-C



Navigator  
bulkhead  
back cover  
Model No.  
NC-20

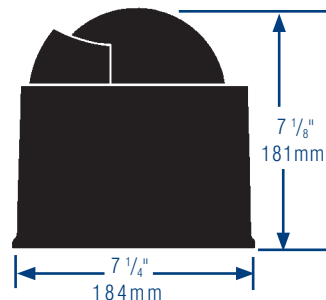
# Globemaster® Compasses

All Globemaster Compasses are individually custom assembled to order. Please ask your dealer or boat builder for complete specifications, options and ordering information (see note on page 29). Or, call Ritchie Customer Service at 781-709-3202.



## Globemaster® SP-5B & SP5C, 5" Dial

Dial Size/Design	5" (127mm)/Flat-Card Dial
Night Lighting	12V Green
Compensators	Built-in
Warranty	5-Year
Approx. Shipping Wt.	6 lb. (2.72kg)
Protective Cover	Model No. GM-5-C (Sold Separately)
Weather Shield	Model No. WS-P (Sold Separately)



SP-5B



GM-5-C

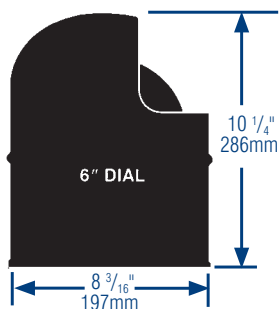
SP-5C

# Globemaster® Compasses

All Globemaster Compasses are individually custom assembled to order. Please ask your dealer or boat builder for complete specifications, options and ordering information. Or, call Ritchie Customer Service at 781-709-3202.

## Globemaster® D-615 Compasses

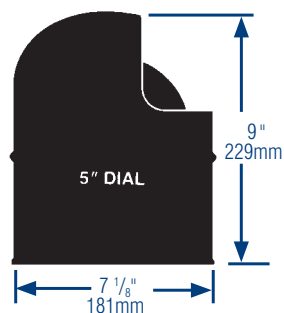
Dial Size/Design	6" (152mm) Flat-Card Dial
Night Lighting	12V Green
Compensators	Built-in
Warranty	5-Year
Approx. Shipping Wt.	14 lb. (6.36kg)



D-615-X

## Globemaster® D-515 Compasses

Dial Size/Design	5" (127mm) Flat-Card Dial
Night Lighting	12V Green
Compensators	Built-in
Warranty	5-Year
Approx. Shipping Wt.	10 lb. (4.54kg)
Protective Cover	Model No. GM-5-C (Sold Separately)
Weather Shield	Model No. WS-P (Sold Separately)



D-515-EP

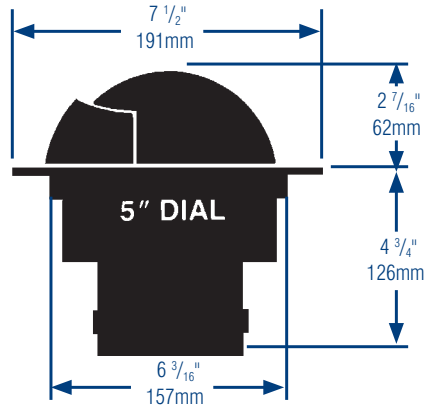


D-515-B

# Globemaster® Compasses



FB-500



## Globemaster® FB-500 & 600 Series, 5" & 6" Dials

Dial Size/Design	5" (127mm) or 6" (152mm) Flat-Card Dial
Night Lighting	12V Green
Compensators	Built-in
Mounting Hole	5" models: 6 1/4" (159mm)    6" models: 7 1/4" (184mm)
Warranty	5-Year
Approx. Shipping Wt.	See below
Protective Cover	Model No. LL-C (for Models SF-500 & FB-500 only)

## Flush Mount Without Hoods

Part #	Dimensions Approx.	Shipping Wt.
B-500	5" dial, 6 7/8" (175mm) OD	5 lb. 12 oz. (2.61 kg)
* SB-500	5" dial, 6 7/8" (175mm) OD	5 lb. 12 oz. (2.61 kg)
B-600	6" dial, 8" (203mm) OD	11 lb. (4.99 kg)
* SB-600	6" dial, 8" (203mm) OD	11 lb. (4.99 kg)
* SF-500	5" dial, 7 1/2" (191mm) OD	5 lb. 12 oz. (2.61 kg)
* SF-600	6" dial, 9" (229mm) OD	11 lb. (4.99 kg)
FB-500	5" dial, 7 1/2" (191mm) OD	5 lb. 12 oz. (2.61 kg)
F-600	6" dial, 9" (229mm) OD 1	1 lb. (4.99 kg)

## Binnacle Mount Without Hoods

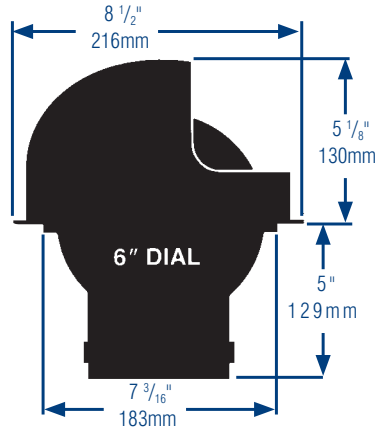
Part #	Dimensions Approx.	Shipping Wt.
* SP-5	5" dial, 7 1/4" (184mm) OD	6 lb. (2.72 kg)
515	5" dial, 7 1/8" (183mm) OD	8 lb. 6 oz. (3.80 kg)
* 515-E	5" dial, 7 1/8" (183mm) OD	8 lb. 6 oz. (3.80 kg)
615	6" dial, 8 3/16" (197mm) OD	11 lb. 8 oz. (5.28 kg)
* 615-E	6" dial, 8 3/16" (197mm) OD	11 lb. 8 oz. (5.28 kg)

\* designates sailboat features: Low Level Lighting and 45° Lubber Lines

*Note: When ordering a Globemaster Compass it is important to specify your choice of power or sailboat model; 2°, 2° w/points, or 5° dial; 12, 24, or 32-volt night lighting and your choice of Polished Stainless (P), Black (B) or Polished Brass (X) finish on all models.*

# Globemaster® Compasses

All Globemaster Compasses are individually custom assembled to order. Please ask your dealer or boat builder for complete specifications, options and ordering information. Or, call Ritchie Customer Service at 781-709-3202.



## Globemaster® FD-500 & 600 Series, 5" & 6" Dials

### Flush Mount Without Hoods

Part #	Dimensions Approx.	Shipping Wt.
FD-500	5" dial, 7 1/2" (191mm) OD	8 lb. 9 oz. (3.87 kg)
* FD-500E	5" dial, 7 1/2" (191mm) OD	8 lb. 9 oz. (3.87 kg)
FD-600	6" dial, 8 1/2" (216mm) OD	13 lb. 8 oz. (6.12 kg)
* FD-600E	6" dial, 8 1/2" (216mm) OD	13 lb. 8 oz. (6.12 kg)

### Binnacle Mount With Hoods

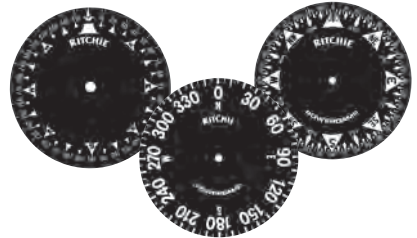
Part #	Dimensions Approx.	Shipping Wt.
D-515	5" dial, 7 1/8" (183mm) OD	10 lb. (4.54 kg)
* D-515-E	5" dial, 7 1/8" (183mm) OD	10 lb. (4.54 kg)
D-615	6" dial, 8 3/16" (197mm) OD	14 lb. (6.36 kg)
* D-615-E	6" dial, 8 3/16" (197mm) OD	14 lb. (6.36 kg)

\* designates sailboat features: Low Level Lighting and 45° Lubber Lines

*Note: When ordering a Globemaster Compass it is important to specify your choice of power or sailboat model; 2°, 2° w/points, or 5° dial; 12, 24, or 32-volt night lighting and your choice of Polished Stainless (P), Black (B) or Polished Brass (X) finish on all models.*

G-2 (5" only)

G-2-P (5" and 6")



G-5 (5" and 6")



# Heritage Skylight Binnacle with Hood for Globemaster® Compasses



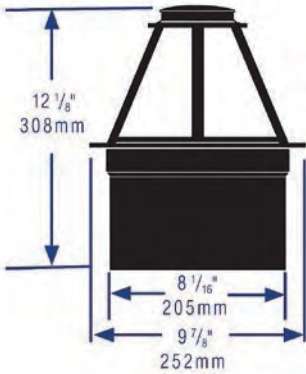
SK-615-EX

SK-615-EC

- Polished Brass or Chrome Housing with Skylight Hood
- 45 & 90 Degree Lubber Lines for Easy Reading
- Full Internal Gimbals



The SK-615-C shown here on a Friendship 75 Yacht



Frosted Sunshade Pane - Hood rotates to allow positioning of sunshade, polished thumbscrew locks hood in position.



12 Volt Green NiteVu Powerlight Lighting Standard on all SK Models Optional Night Lighting available ( see below)



Removable Daylight Cap

## SK-615-EX & SK-615-EC

Dial Size/Design	6" (152mm)
12 Volt Green Powerlight	Lighting Standard on both SK models Optional Night Lighting available in 24 & 32 Volt Green or 12, 24 & 32 Volt Red
Compensators	Built-In
Warranty	5-Years
Repairability	100%
Approx. Shipping Wt.	20 lb. (9.07kg)

### Choice of Cards:

2° Dial w/points Model No. G-2-P      5° Dial Model No. G-5



Hood Models SK-600-X and SK-600-C can be purchased separately

Freindship 75 Yacht photo shown above courtesy of Ivor Wilkins, Freindship Yachts

# Super Yacht Compasses



SY-500LL



SY-600PL



SY-500LLC

## Super Yacht Compass Features

- Bright polished Bronze or polished Chrome Bezel
- Choice of 2 or 5 degree markings
- Low profile Sailboat Style Lighting (LL) or Power Lighting (PL)
- PowerDamp Performance Dials
- 45 and 90 Degree Lubber Lines (Sailboat version)
- Full Internal gimbals
- 12 volt lighting standard – Optional night lighting available in 24 and 32 volt
- Spherical Design Bowl
- 100% Repairable
- To see all available options go to [www.ritchienavigation.com](http://www.ritchienavigation.com)

*Optional engraving available*

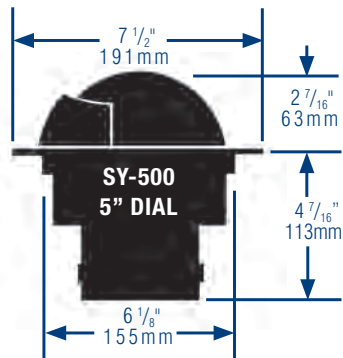
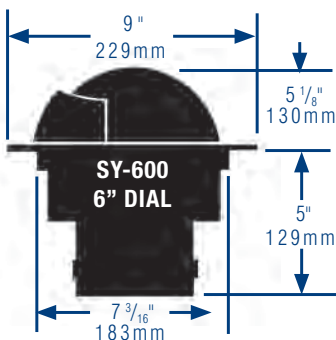


## Super Yacht SY-600 Series

Dial Size/Design	6" (152mm) Flat-Card Dial
Night Lighting	Yes
Mounting Hole	7 1/4" (18.42cm)
Compensators	Built-in
Warranty	5-Year
Approx. Shipping Wt.	11 lbs. (4.99kg)
Protective Cover	None

## Super Yacht SY-500 Series

Dial Size/Design	5" (127mm) Flat-Card Dial
Night Lighting	Yes
Mounting Hole	6 1/4" (15.9cm)
Compensators	Built-in
Warranty	5-Year
Approx. Shipping Wt.	5 lb. 12oz. (2.6kg)
Protective Cover	LL-C (LL lighting only)



# Steel & Commercial Boat Compasses

Ritchie steel boat compasses are completely equipped with the necessary compensating equipment (BIC and quadrantal spheres) to provide proper operation on steel hulled boats.



HB-845

## Helmsman™ HB-845 with Steel Boat Quadrantal Correctors, 3¾" Dial

Dial Size/Design	3¾" (57mm)/Flat-Card Dial
Night Lighting	12V Green
Overall Dimensions	12" x 6 ½" (305mm x 157mm)
Base	4 ¾" (111mm)
Warranty	5-Year
Approx. Shipping Wt.	6 lb. (2.72kg)
Protective Cover	Model No. H-741-C

## Navigator™ B-200P with Steel Boat Quadrantal Correctors, 4½" Dial

Dial Size/Design	4½" (114mm)/Flat-Card Dial
Night Lighting	12V Green
Overall Dimensions	17 ¼" x 6 ½" (438mm x 157mm)
Base	7 ¼" (184mm)
Warranty	5-Year
Approx. Shipping Wt.	10 lb. (4.5kg)
Protective Cover	Model No. N-203-C



B-200P



# Steel & Commercial Boat Compasses

Ritchie steel boat compasses are completely equipped with the necessary compensating equipment (BIC and quadrantal spheres) to provide proper operation on steel hulled boats



## Globemaster® D-5-S & D-6-S with Steel Boat Quadrantal Correctors, 5" & 6" Dial

Dial Size/Design	D-5-S 5" (127mm)	D-6-S 6" (152mm)
Night Lighting	12V Green	12V Green
Overall Dimensions	22" x 8 3/4" (556mm x 223mm)	23 3/4" x 10 1/4" (603mm x 260mm)
Base	7 1/8" (181mm)	8 3/16" (209mm)
Warranty	5-Year	5-Year
Approx. Shipping Wt.	23 lb. (10.44kg)	29 lb. (13.15kg)

## Globemaster® YB-500 & YB-600 with Steel Boat Quadrantal Correctors, 5" & 6" Dial

Dial Size/Design	YB-500 5" (127mm)	YB-600 6" (152mm)
Night Lighting	12V Green	12V Green
Overall Dimensions	19" x 8 1/4" (483mm x 210mm)	20 1/4" x 9 7/8" (514mm x 245mm)
Base	6 7/8" (175mm)	8" (203mm)
Warranty	5-Year	5-Year
Approx. Shipping Wt.	18 lb. (8.16kg)	26 lb. (11.90kg)

**IMPORTANT ORDERING INFORMATION:** All Steel and Commercial Boat Compasses are individually custom assembled to order, and there are many options to consider. All models are available with your choice of 12, 24, or 32-volt night lighting. In addition, Globemaster Models are available for either sail or powerboats with a choice of dial sizes and dial degree graduations. The Globemaster Traditional Binnacle Models are also available in Polished Brass (X), Chrome Plated Brass (C) or Black (B) finish. Please ask your dealer or boat builder for complete specifications, options and ordering information or call Ritchie Customer Service at 781-826-5131.





# Globemaster™ Shock Mount Compasses

Globemaster shock mount compasses are equipped with an anti-vibration feature which isolates the compass unit from damaging shock or hull vibrations. Shock-mounted binnacle models should be installed in enclosed bridge decks or pilot houses.



B-453

## Globemaster® Shock Mount Binnacle B-453 & B-463 with Steel Boat Quadrantal Correctors

For Steel and Commercial Vessels

	B-453	B-463
Dial Size/Design	5" (127mm)	6" (152mm)
Night Lighting	12V Green	12V Green
Overall Dimensions	19" x 8 1/4" (463mm x 210mm)	20 1/2" x 10 1/4" (521mm x 260mm)
Base	8 7/16" (214mm)	9 1/2" (241mm)
Warranty	5-Year	5-Year
Approx. Shipping Wt.	16 lb. (7.25kg)	24 lb. (10.89kg)

## Globemaster® C-453 & C-463 with Shock Mount Binnacle

For Commercial Vessels

	C-453	C-463
Dial Size/Design	5" (127mm)	6" (152mm)
Night Lighting	12V Green	12V Green
Overall Dimensions	8 1/2" x 8 1/4" (216mm x 210mm)	9 1/2" x 10 1/4" (241mm x 260mm)
Base	8 7/16" (214mm)	9 1/2" (241mm)
Warranty	5-Year	5-Year
Approx. Shipping Wt.	7 lb. (3.52kg)	12 lb. (5.44kg)



C-453

# Navy Standard Compasses

For Large Commercial Vessels



NS-7.5-SB



## Navy Standard NS - 7.5 -SB with Steel Boat Quadrantal Correctors, 7½" Dial

Dial Size/Design	7 ½" (192mm)/Flat-Card Dial
Night Lighting	12V, 24V, 32V, and 110V
Overall Dimensions	25" x 9 ¾" (635mm x 238mm)
Base	12 ½" (318mm)
Warranty	5-Year
Approx. Shipping Wt.	43 lb. (19.5kg)

NS-7.5



## Navy Standard NS - 7.5, 7½" Dial

Dial Size/Design	7 ½" (192mm)/Flat-Card Dial
Night Lighting	12V, 24V, 32V, and 110V
Overall Dimensions	11 ¾" x 9 ¾" (299mm x 238mm)
Base	12 1/2" (318mm)
Warranty	5-Year
Approx. Shipping Wt.	19 lb. (8.6kg)

NS-7.5-BIN

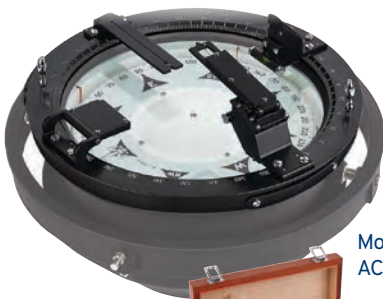


## Navy Standard NS - 7.5-BIN, 7½" Dial

*without mounting bracket for installation in  
ship's binnacle*

Dial Size/Design	7 ½" (192mm)/Flat-Card Dial
Night Lighting	12V, 24V, 32V, and 110V
Overall Dimensions	11 ¾" x 5 15/16" (299mm x 151mm)
Base	12" (304mm)
Warranty	5-Year
Approx. Shipping Wt.	16 lb. (7.3kg)

## Our Navy Standard Azimuth Circle



Model  
AC-0001

High quality  
Hardwood  
Carrying Case  
Included



## Navy Standard Compass Features

- 1° increments with cardinal and inner cardinal markings
- Dial float chamber removes nearly all the weight from pivot and jewel to extend operation by years
- Bezel machined to accommodate 7½" Navy standard azimuth circle or bearing circle
- 5" quadrantal spheres standard with steel boat model, smaller sizes available on request
- Meets or exceeds Solas ISO Class A compass requirements
- Operating Temperature Range: -22°F (-30°C) to +175°F (+80°C)
- 12, 24, 32, and 110 Volt Lighting included
- Fits Navy Standard compasses
- Made of high quality non-magnetic brass
- ID 9.72 inches (247mm)
- Approximate shipping weight 4 lbs. (1.8 kg.)

Azimuth Circle and case made in China



## WARRANTY

---

We warrant all Ritchie instruments to be free of defects in workmanship or materials. If a Ritchie magnetic compass has a manufacturing defect within five years of purchase date, it will be repaired or replaced without charge. This warranty does not cover breakage through accident or misuse. Replacement or repair will be made if the instrument is returned prepaid to a Ritchie Service Station or directly to:

**E.S. Ritchie & Sons, Inc.**  
**243 Oak Street, P.O. Box 548**  
**Pembroke, MA 02359**

*For more information including articles, downloads  
and our Complete Guide to Compass Navigation,  
visit: **[www.ritchienavigation.com](http://www.ritchienavigation.com)***



**RITCHIE**<sup>®</sup>  
NAVIGATION

E.S. Ritchie & Sons, Inc.  
243 Oak Street, P.O. Box 548  
Pembroke, MA 02359

**Telephone: (781) 826-5131 • Fax: (781) 826-7336**  
**E-mail: [sales@ritchienavigation.com](mailto:sales@ritchienavigation.com)**  
**Website: [www.ritchienavigation.com](http://www.ritchienavigation.com)**