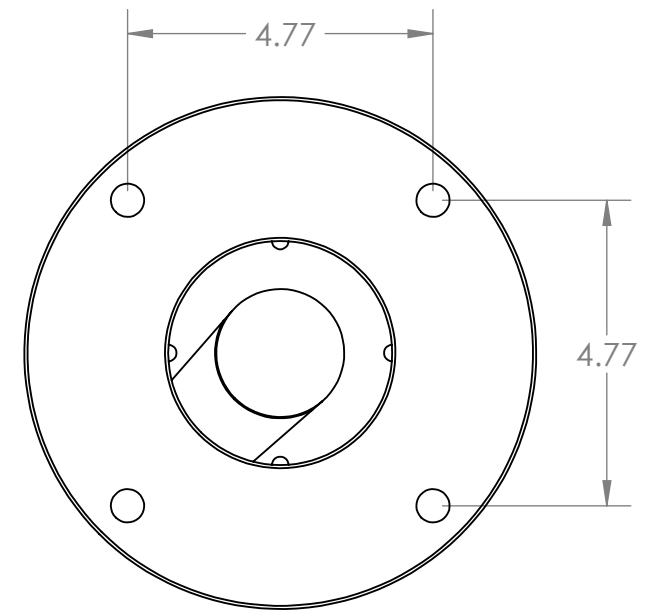
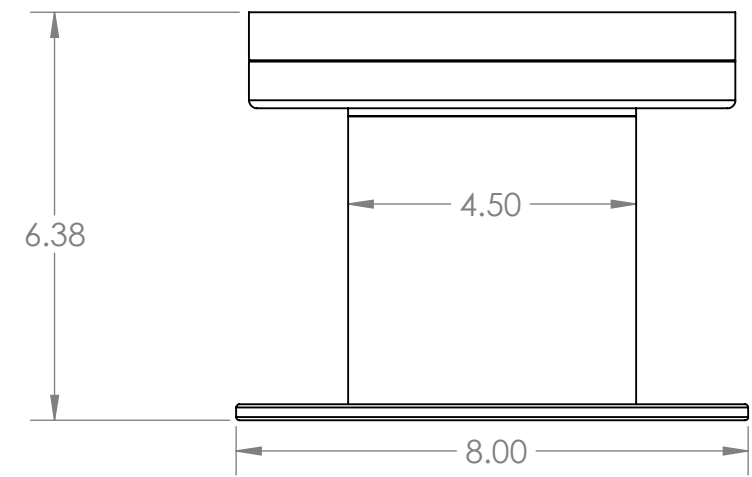
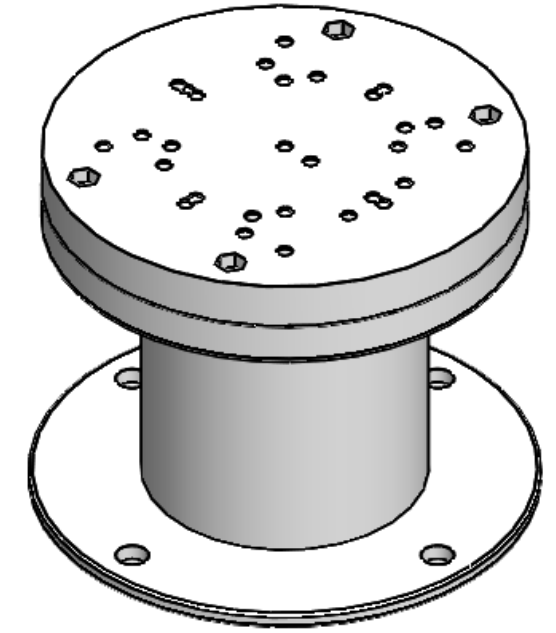
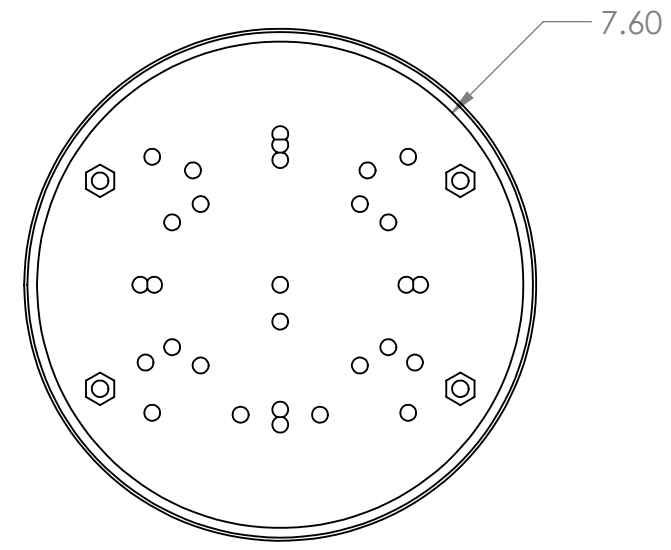


8 7 6 5 4 3 2 1

D
C
B
A

D
C
B
A



PROPRIETARY AND CONFIDENTIAL
 THE INFORMATION CONTAINED IN THIS DRAWING IS THE SOLE PROPERTY OF <INSERT COMPANY NAME HERE>. ANY REPRODUCTION IN PART OR AS A WHOLE WITHOUT THE WRITTEN PERMISSION OF <INSERT COMPANY NAME HERE> IS PROHIBITED.

		UNLESS OTHERWISE SPECIFIED:		NAME	DATE	PYI Inc.		
		DIMENSIONS ARE IN INCHES TOLERANCES: FRACTIONAL ANGULAR: MACH BEND TWO PLACE DECIMAL THREE PLACE DECIMAL		DRAWN	02.24.16			
		INTERPRET GEOMETRIC TOLERANCING PER:		CHECKED		TITLE: 5" vertical mount for searchlights		
		MATERIAL		ENG APPR.				
NEXT ASSY		USED ON		MFG APPR.		SIZE	DWG. NO.	REV
APPLICATION		DO NOT SCALE DRAWING		Q.A.		B	PM5-SL-8	
				COMMENTS:		SCALE: 1:3	WEIGHT:	SHEET 1 OF 1

8 7 6 5 4 3 2 1