

CLIMATE

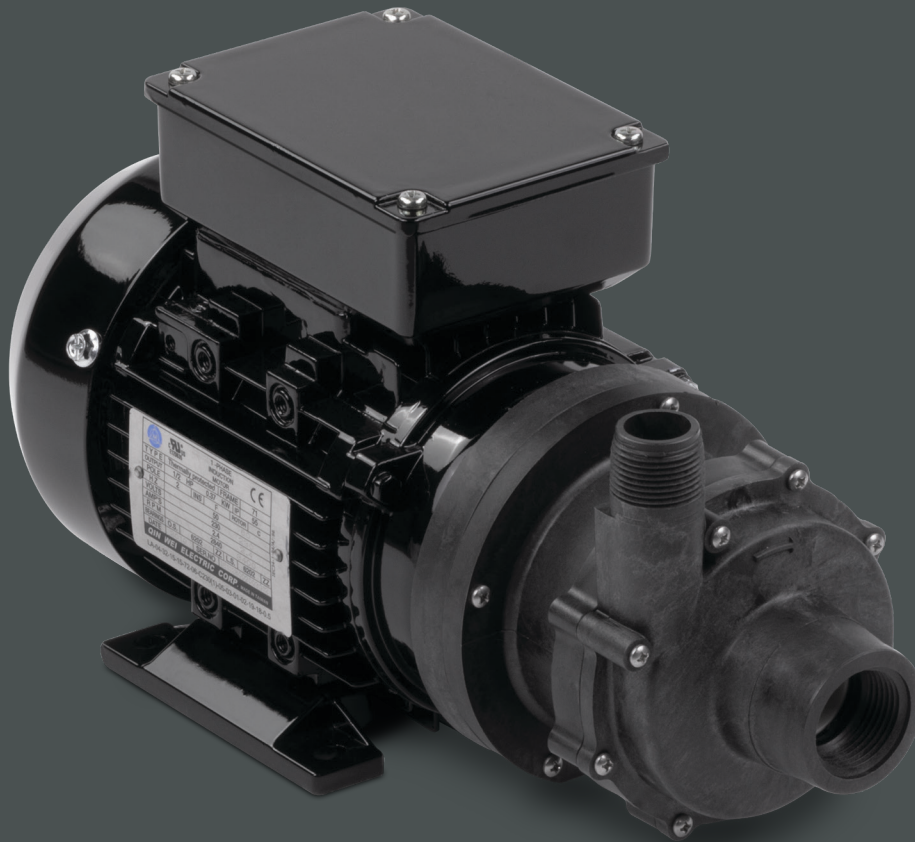
MAGDRIVE CENTRIFUGAL SEALLESS PUMP FOR MARINE A/C

The new Dometic magnet-drive centrifugal sealless pump is designed and engineered to improve the reliability and performance of marine air conditioning systems. Its durable construction can withstand harsh marine conditions. For chilled water or seawater applications.

ROBUST
EXTENDED RUN DRY

SEALLESS
NO MECHANICAL SEALS

LEAD FREE
EPA FRIENDLY



Mobile living made easy.

 **DOMETIC** **OUTDOOR**

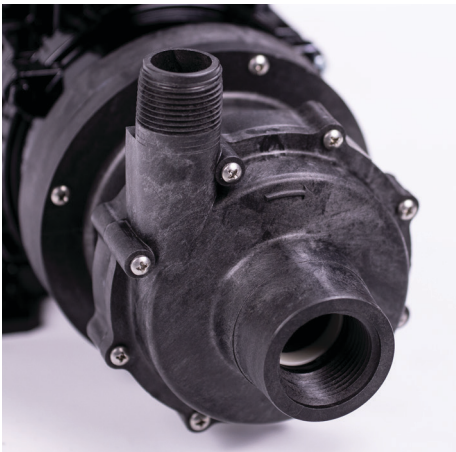
ROBUST SEALLESS PUMP



MagDrive sealless pump series is a rugged design with no mechanical seals. The composite heads and impellers will not be affected by the corrosive seawater. The carbon bushings will give the pump added protection in run dry situations. Rugged construction and a strong neodymium magnet make this pump robust and very low maintenance.

FEATURES

- Composite non-corrosive pump head and impeller
- No mechanical seals
- Run Dry protection (carbon bushings)
- Rotatable pump head
- Multi-position pump bracket
- Stainless hardware
- Full size electric box
- 115 volt and 230 volt models
- Single and Three phase models
- Dual frequency
- TEFC pump motors
- Lead free
- All sizes available in chilled water pump packages



NON CORROSIVE COMPOSITE HEAD AND IMPELLER



EASY TO ACCESS FULL SIZE ELECTRIC BOX

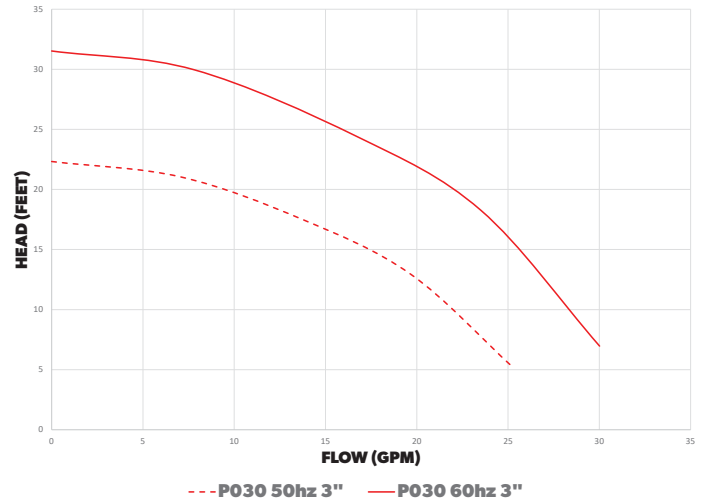
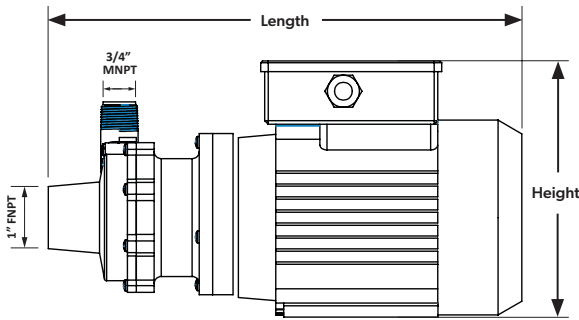
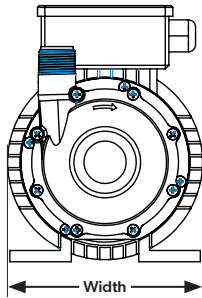
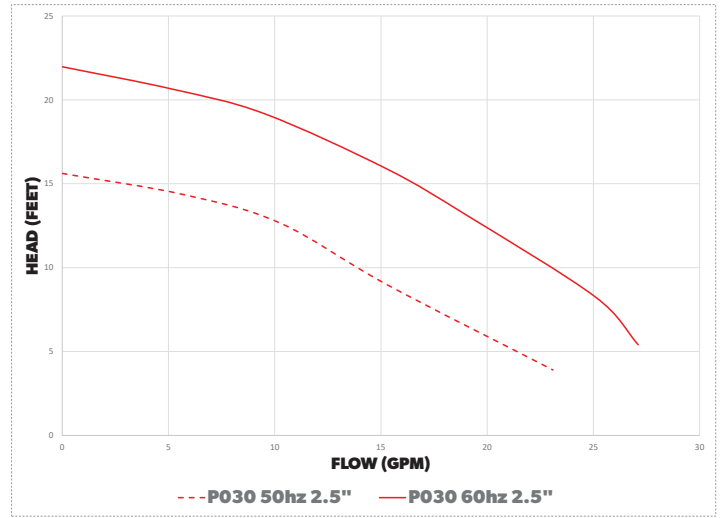


FLEXIBLE MOTOR MOUNT LOCATIONS

P030M MAGNET-DRIVE CENTRIFUGAL PUMPS



TECHNICAL DATA



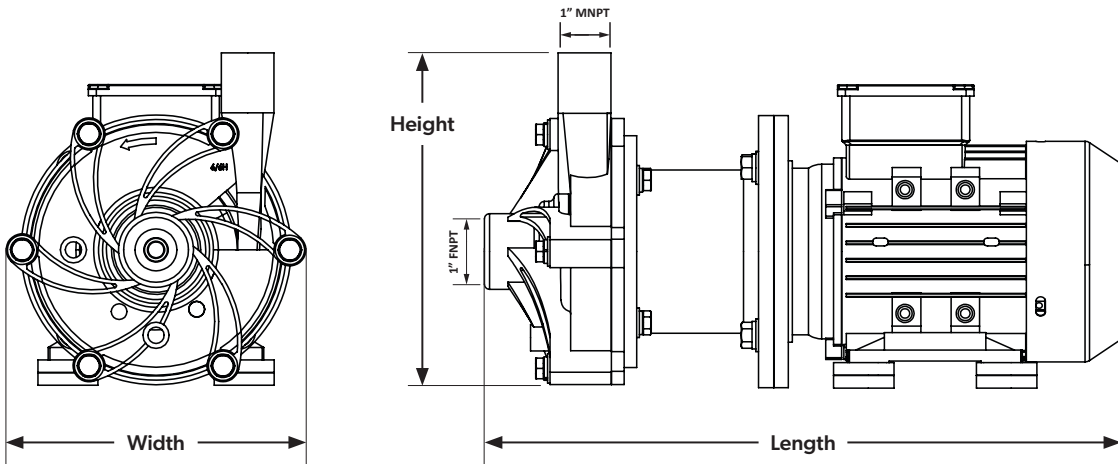
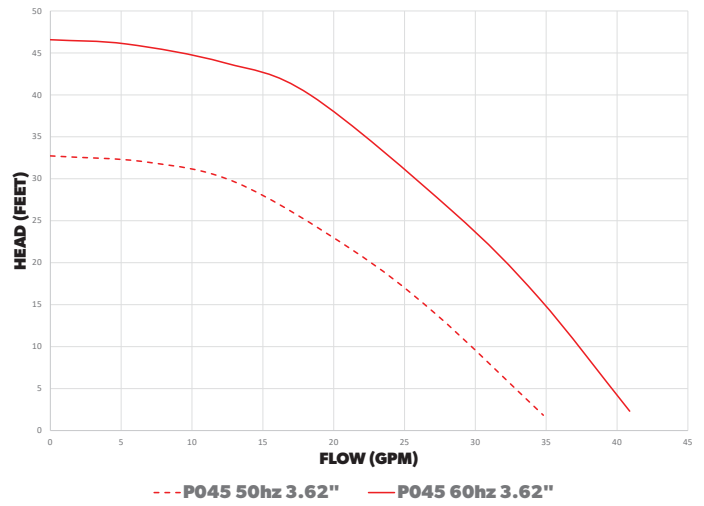
SELLABLE ITEM #	HP 60 HZ	HP 50 HZ	PHASE	VOLTS 60 HZ	VOLTS 50 HZ	AMPS 60 HZ	AMPS 50 HZ	DIM L* (IN)	DIM W* (IN)	DIM H* (IN)	IMPELLER SIZE	WEAR KIT ITEM #	WET END ITEM #
9610002000	0.25	0.25	1	115	110	2.5	3.3	12.8	5.4	6.8	2.5	4471004032	4471004037
9610001803	0.25	0.25	1	230	220	1.5	1.9	12.8	5.4	6.8	2.5	4471004032	4471004037
9610001976	0.50	0.50	1	115	110	4.2	5.6	13.3	5.4	7.2	3.0	4471004032	4471004038
9610001977	0.50	0.50	1	230	220	2.2	2.7	13.3	5.4	7.2	3.0	4471004032	4471004038
9610001980	0.50	0.50	3	230/460	230/460	1.6/0.8	1.7/0.9	13.4	5.4	6.9	3.0	4471004032	4471004038

*"L" and "W" values may be +/- 1/4"

P045M MAGNET-DRIVE CENTRIFUGAL PUMPS



TECHNICAL DATA



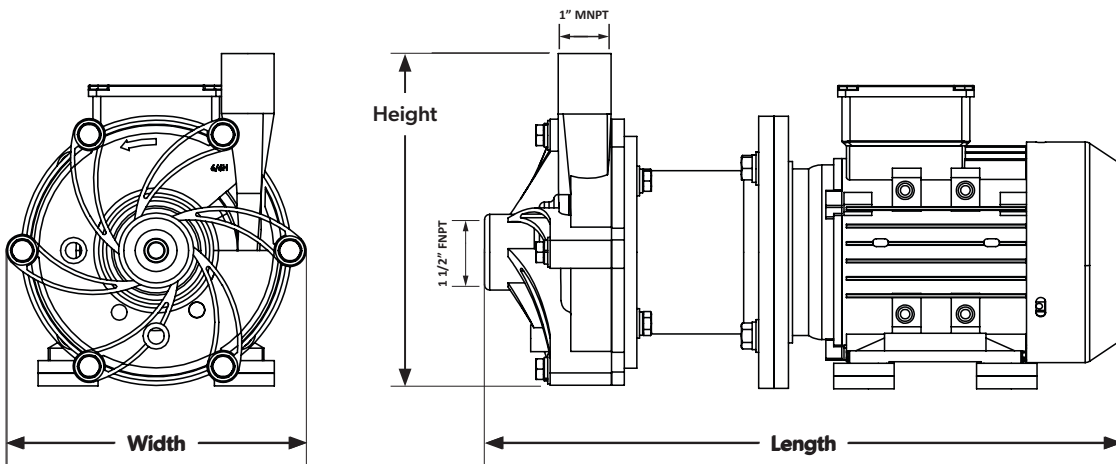
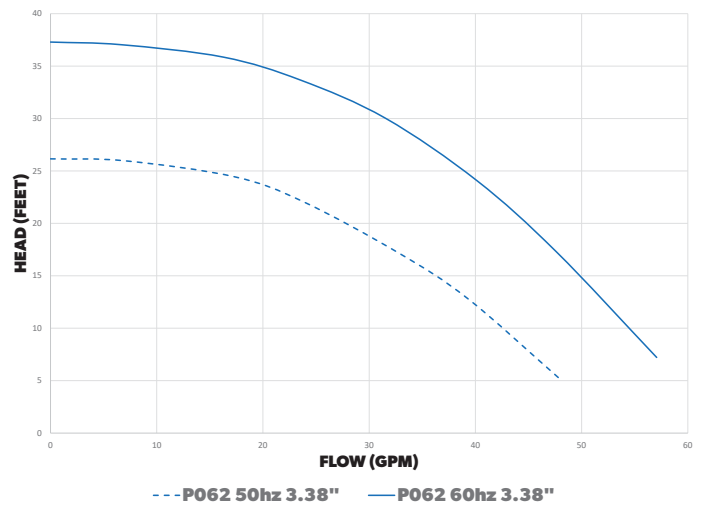
SELLABLE ITEM #	HP 60 HZ	HP 50 HZ	PHASE	VOLTS 60 HZ	VOLTS 50 HZ	AMPS 60 HZ	AMPS 50 HZ	DIM L* (IN)	DIM W* (IN)	DIM H* (IN)	IMPELLER SIZE	WEAR KIT ITEM #	WET END ITEM #
9610001978	0.5	0.5	1	115	115	4.6	5.6	15.8	7.5	8.40	3.62	4471004034	4471004039
9610001979	0.5	0.5	1	230	230	2.2	2.7	15.8	7.5	8.40	3.62	4471004034	4471004039

*"L" and "W" values may be +/- 1/4"

P062M MAGNET-DRIVE CENTRIFUGAL PUMPS



TECHNICAL DATA



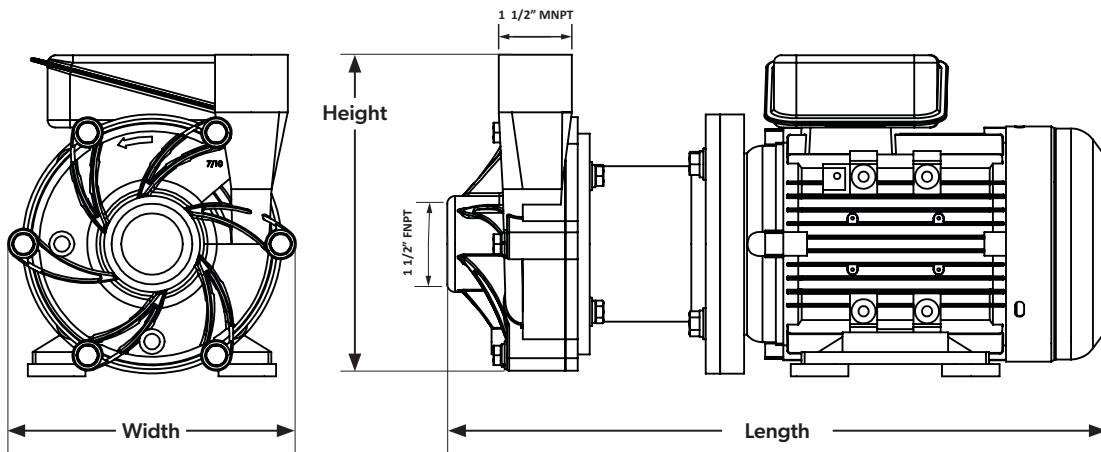
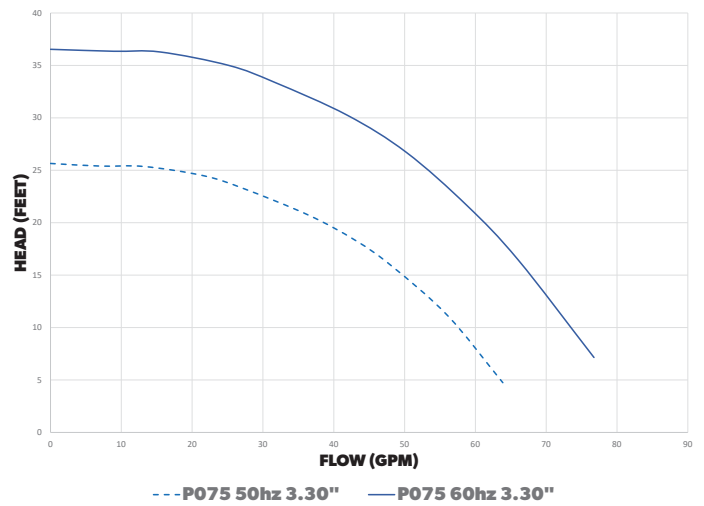
SELLABLE ITEM #	HP 60 HZ	HP 50 HZ	PHASE	VOLTS 60 HZ	VOLTS 50 HZ	AMPS 60 HZ	AMPS 50 HZ	DIM L* (IN)	DIM W* (IN)	DIM H* (IN)	IMPELLER SIZE	WEAR KIT ITEM #	WET END ITEM #
9610001981	0.5	0.5	1	115	115	4.6	5.6	15.7	7.5	8.4	3.5	4471004034	4471004040
9610001982	0.5	0.5	1	230	230	2.2	2.7	15.7	7.5	8.4	3.5	4471004034	4471004040
9610001983	0.5	0.5	3	230/460	230/460	1.6/0.8	1.7/0.9	15.7	7.5	8.4	3.5	4471004034	4471004040

*"L" and "W" values may be +/- 1/4"

P075M MAGNET-DRIVE CENTRIFUGAL PUMPS



TECHNICAL DATA



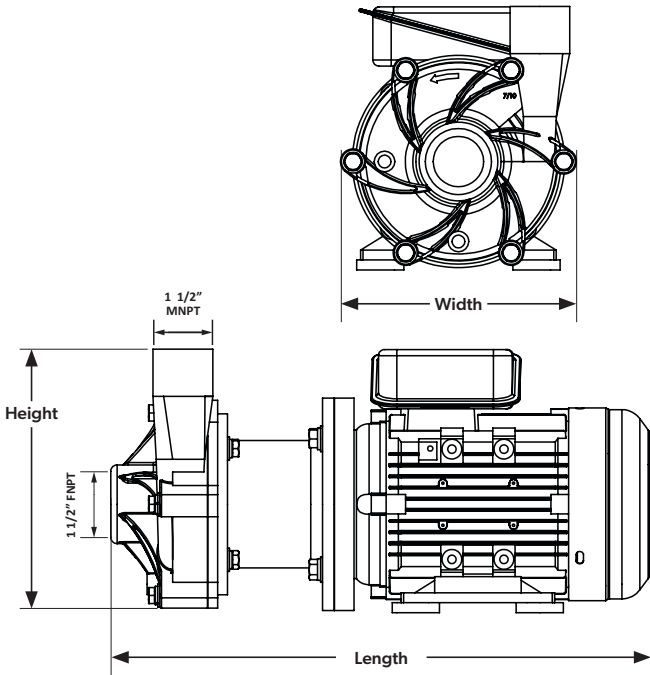
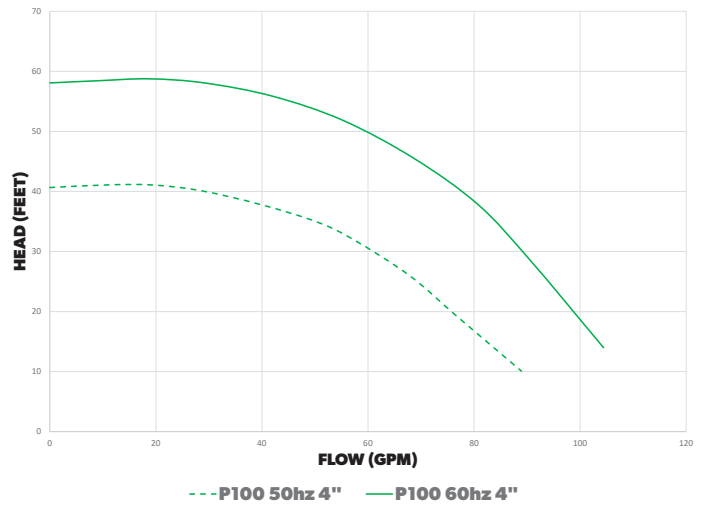
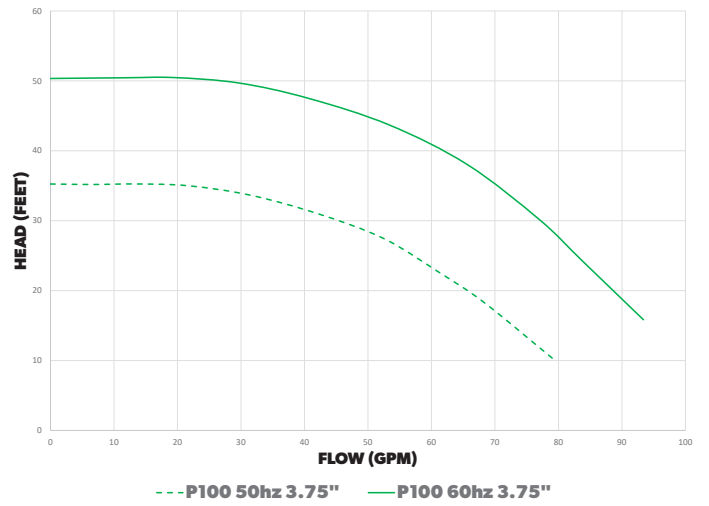
SELLABLE ITEM #	HP 60 HZ	HP 50 HZ	PHASE	VOLTS 60 HZ	VOLTS 50 HZ	AMPS 60 HZ	AMPS 50 HZ	DIM L* (IN)	DIM W* (IN)	DIM H* (IN)	IMPELLER SIZE	WEAR KIT ITEM #	WET END ITEM #
9610001984	0.5	0.5	1	115	115	4.6	5.6	15.7	7.5	8.4	3.38	4471004034	4471004041
9610001985	0.5	0.5	1	230	230	2.2	2.7	15.7	7.5	8.4	3.38	4471004034	4471004041
9610001986	0.5	0.5	3	230/460	230/460	1.6/0.8	1.7/0.9	15.7	7.5	8.3	3.38	4471004034	4471004041

*"L" and "W" values may be +/- 1/4"

P100M MAGNET-DRIVE CENTRIFUGAL PUMPS



TECHNICAL DATA



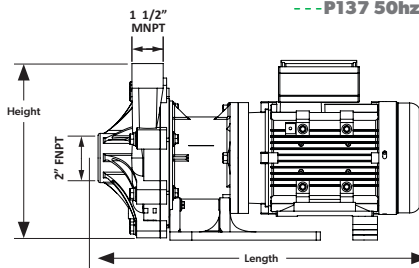
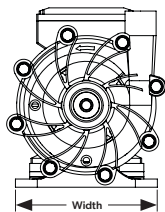
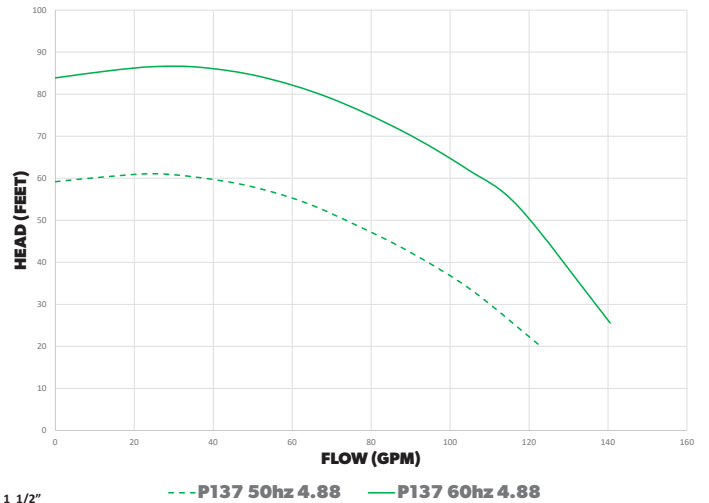
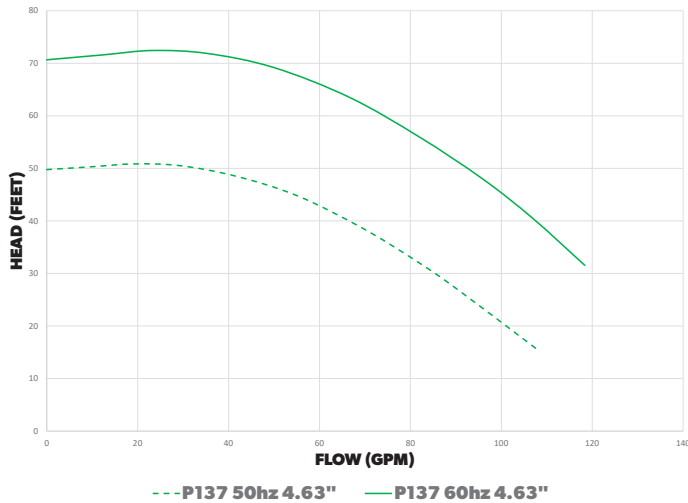
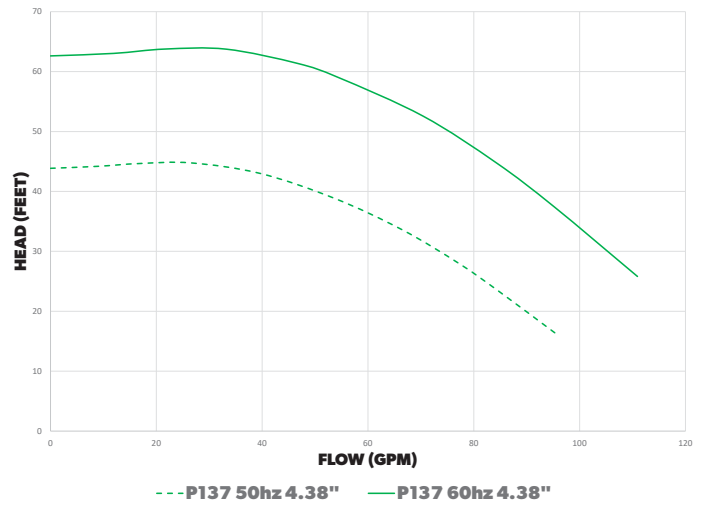
SELLABLE ITEM #	HP 60 HZ	HP 50 HZ	PHASE	VOLTS 60 HZ	VOLTS 50 HZ	AMPS 60 HZ	AMPS 50 HZ	DIM L* (IN)	DIM W* (IN)	DIM H* (IN)	IMPELLER SIZE	WEAR KIT ITEM #	WET END ITEM #
9610001987	1.0	1.0	1	115/230	115/230	8.5/4.3	10.5/5.3	17.2	7.5	8.4	3.75	4471004034	4471004043
9610001988	1.0	1.0	3	230/460	230/460	2.7/1.4	2.9/1.5	17.0	7.5	8.3	3.75	4471004034	4471004043
9610001989	1.5	1.5	1	115/230	115/230	12.5/6.3	14.0/7.0	17.8	7.5	9.9	4.00	4471004034	4471004044
9610001990	1.5	1.5	3	230/460	230/460	4.0/2.0	4.3/2.2	16.6	7.5	8.7	4.00	4471004034	4471004044

*"L" and "W" values may be +/- 1/4"

P137M MAGNET-DRIVE CENTRIFUGAL PUMPS



TECHNICAL DATA



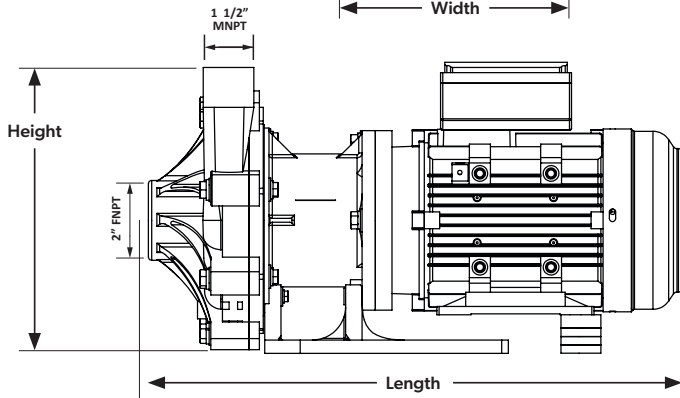
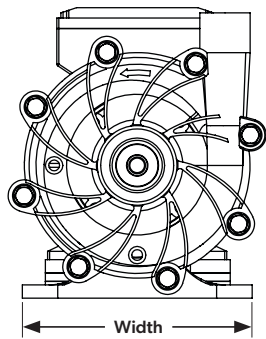
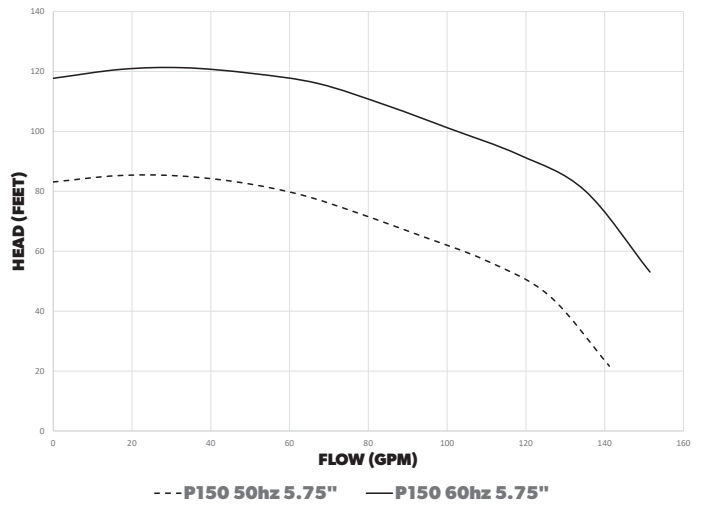
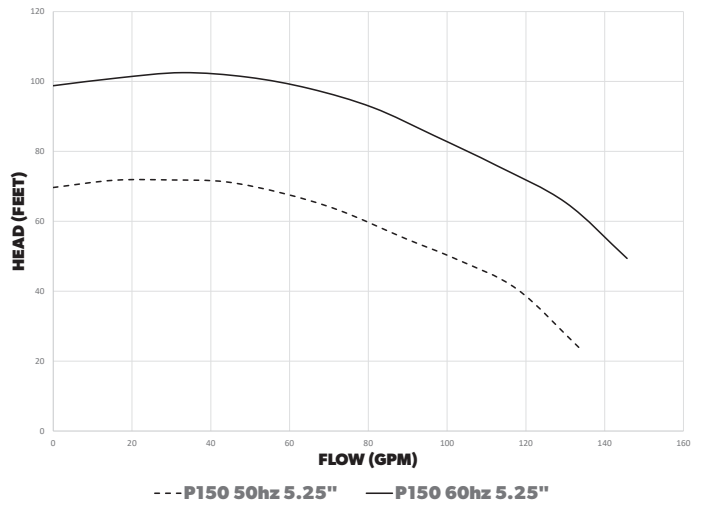
SELLABLE ITEM #	HP 60 HZ	HP 50 HZ	PHASE	VOLTS 60 HZ	VOLTS 50 HZ	AMPS 60 HZ	AMPS 50 HZ	DIM L* (IN)	DIM W* (IN)	DIM H* (IN)	IMPELLER SIZE	WEAR KIT ITEM #	WET END ITEM #
9610001991	1.5	1.5	1	115/230	115/230	12.5/6.3	14.0/7.0	21.2	9.7	11.0	4.38	4471004035	4471004045
9610001992	1.5	1.5	3	230/460	230/460	4.0/2.0	4.3/2.2	18.2	9.7	10.8	4.38	4471004035	4471004045
9610001993	2	2	1	115/230	115/230	16.5/8.3	18.0/9.0	20.1	9.7	10.9	4.63	4471004035	4471004046
9610001994	2	2	3	230/460	230/460	5.3/2.7	5.9/3.0	20.1	9.7	10.8	4.63	4471004035	4471004046
9610001996	3	3	3	380	230/460	7.2/3.6	4.5	19.5	10.9	10.8	4.88	4471004035	4471004047

*"L" and "W" values may be +/- 1/4"

P150M MAGNET-DRIVE CENTRIFUGAL PUMPS



TECHNICAL DATA



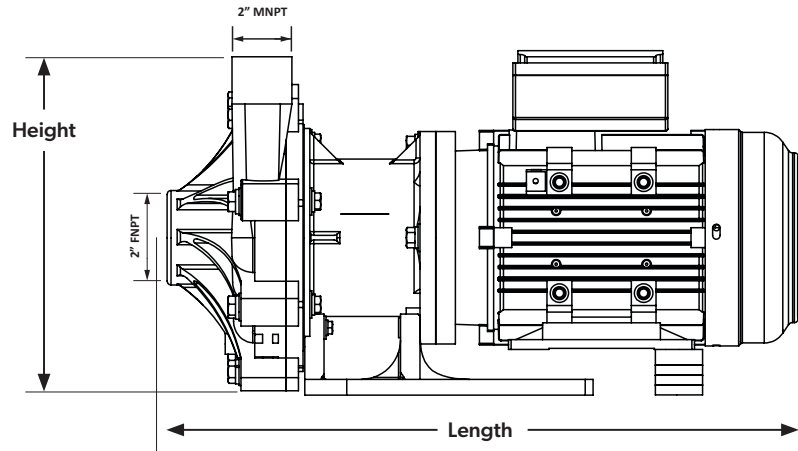
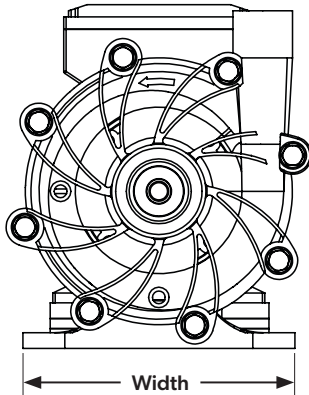
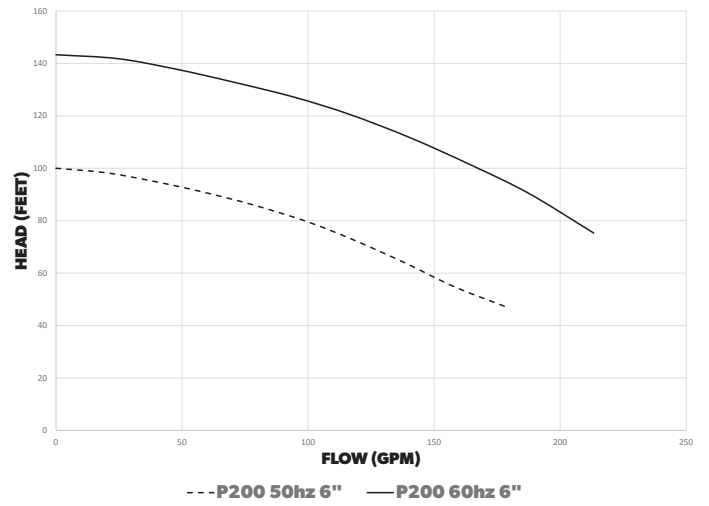
SELLABLE ITEM #	HP 60 HZ	HP 50 HZ	PHASE	VOLTS 60 HZ	VOLTS 50 HZ	AMPS 60 HZ	AMPS 50 HZ	DIM L* (IN)	DIM W* (IN)	DIM H* (IN)	IMPELLER SIZE	WEAR KIT ITEM #	WET END ITEM #
9610001997	5	5	3	230/460	380	12.2/6.1	7.5	23.0	12.4	10.8	5.25	4471004035	4471004048
9610001998	5	5	3	230/460	380	12.2/6.1	7.5	23.0	12.4	10.8	5.75	4471004035	4471004049

*"L" and "W" values may be +/- 1/4"

P200M MAGNET-DRIVE CENTRIFUGAL PUMPS



TECHNICAL DATA



SELLABLE ITEM #	HP 60 HZ	HP 50 HZ	PHASE	VOLTS 60 HZ	VOLTS 50 HZ	AMPS 60 HZ	AMPS 50 HZ	DIM L* (IN)	DIM W* (IN)	DIM H* (IN)	IMPELLER SIZE	WEAR KIT ITEM #	WET END ITEM #
9610001999	7.5	7.5	3	230/460	380	17.8/8.9	11	27.5	14.1	13.4	6	4471004036	4471004050

*"L" and "W" values may be +/- 1/4"