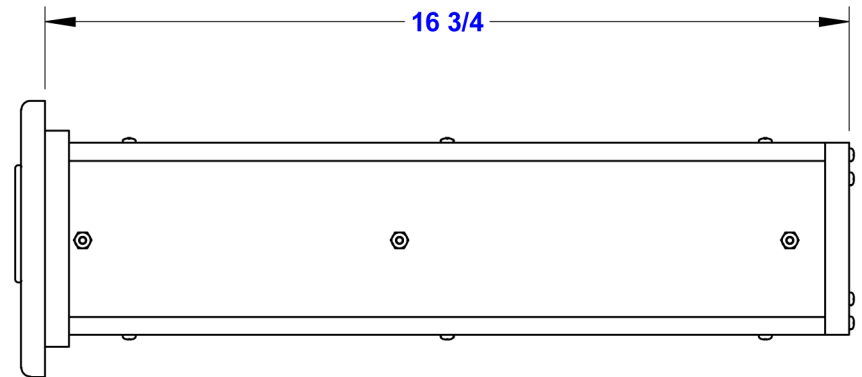


FRONT VIEW



SIDE VIEW

Item #

Critical Dimensions

Features

COLOR	ITEM #
White/White	13770-50361

Outside Dimensions

5 3/4" Tall x 13 7/8" Wide

Fits Hole Cutout

4 5/8" Tall x 12 3/4" Wide
(1/8" Oversized for clearance)

Required Depth

16 3/4"

- **Drawer with Two Dividers**
9 1/8" Wide x 15" Deep x 2 5/16" Tall