

Gusher® 10

The original bilge pump choice for sailors in extreme conditions

Durable Diecast Alloy Bilge Pump
Top performance - 65 ltrs (17 US gals) minute, robust design stands up to the toughest marine conditions



Easy grasp handle

Durability
long life LM6
diecast alloy

Easy maintenance
designed for instant access

Simple plumbing
38mm (1½") smooth hose
connections

Product code: see table

High flow non choke valves
no filter to block or clean

Mounting options
Models on-deck /
Thru-deck options

Features and Benefits

- Robust design stands up to the toughest marine conditions
- Top performance
- 65 ltrs (17 US gals) per minute
- Mounting options On Deck / Bulkhead, Thru deck
- Designed for simple installation and maintenance
- Efficiency - Large non-choke valves
- Ideal for workboats, cruisers, offshore racing
- Easy pump action - Self priming
- Typical uses
- Bilge pump out / holding tank pump out

5 Year Warranty

Awards and Accreditations

Suitable as a primary bilge pump on boats equal to or greater than 12m (40ft) in accordance with ISO15083

COMPLETE YOUR SYSTEM

Whale high quality bilge accessories including non-return valves, elbows and Y pieces see page 48 - 51



Gusher 10 Mk3
Standard
BP3708

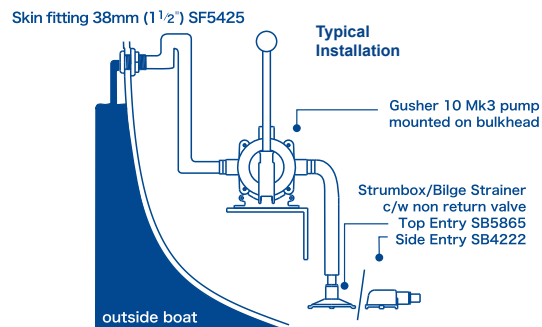
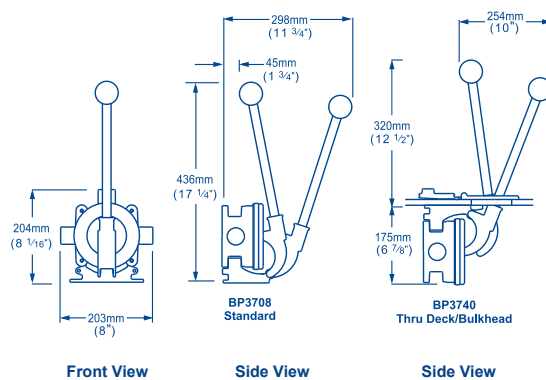
Gusher 10 Mk3
Thru Deck/Bulkhead
BP3740

Product Information

Model Specifications		
Model	On Deck / Bulkhead	Thru Deck / Bulkhead
Product Code	BP3708	BP3740
Weight	2.3 kg (5 lbs)	
Hose Connections	38 mm (1½") Smooth Hose Connections	
Materials	Pump Body: Marine Grade LM6 Aluminium Alloy (epoxy coated) Diaphragm: Neoprene (Nitrile® option available) Fasteners: Stainless Steel	
Materials Contact With Fluid	Marine Grade LM6 Aluminium Alloy (Epoxy Coated) Neoprene, Nitrile®, Stainless Steel	
Service Kits	AK3706 - Neoprene Parts AK3714 - Nitrile® Parts for Oil and Diesel Contains: Diaphragm, Valves, Seals	
Accessories	DP3804 - Alloy Deck Plate DP8904 - Plastic Deck Plate Lid AS4405 - Spare Handle	
Maximum Suction Lift	4 m (13.5 ft)	
Maximum Discharge Head	4 m (13.5 ft)	

Performance Data		
	BP3708 / BP3740	BP3708 / BP3740
Suction Lift	1 m (3 ft)	2 m (6 ft)
Discharge Head	0.5 m (1.5 ft)	0.5 m (1.5 ft)
45 Strokes per Minute	41 ltrs (11 US gals)	41 ltrs (11 US gals)
70 Strokes per Minute	65 ltrs (17 US gals)	65 ltrs (17 US gals)

Note: These specifications are retail items only.
For details of our bulk pack range for boat builders and wholesalers - contact Whale Support.



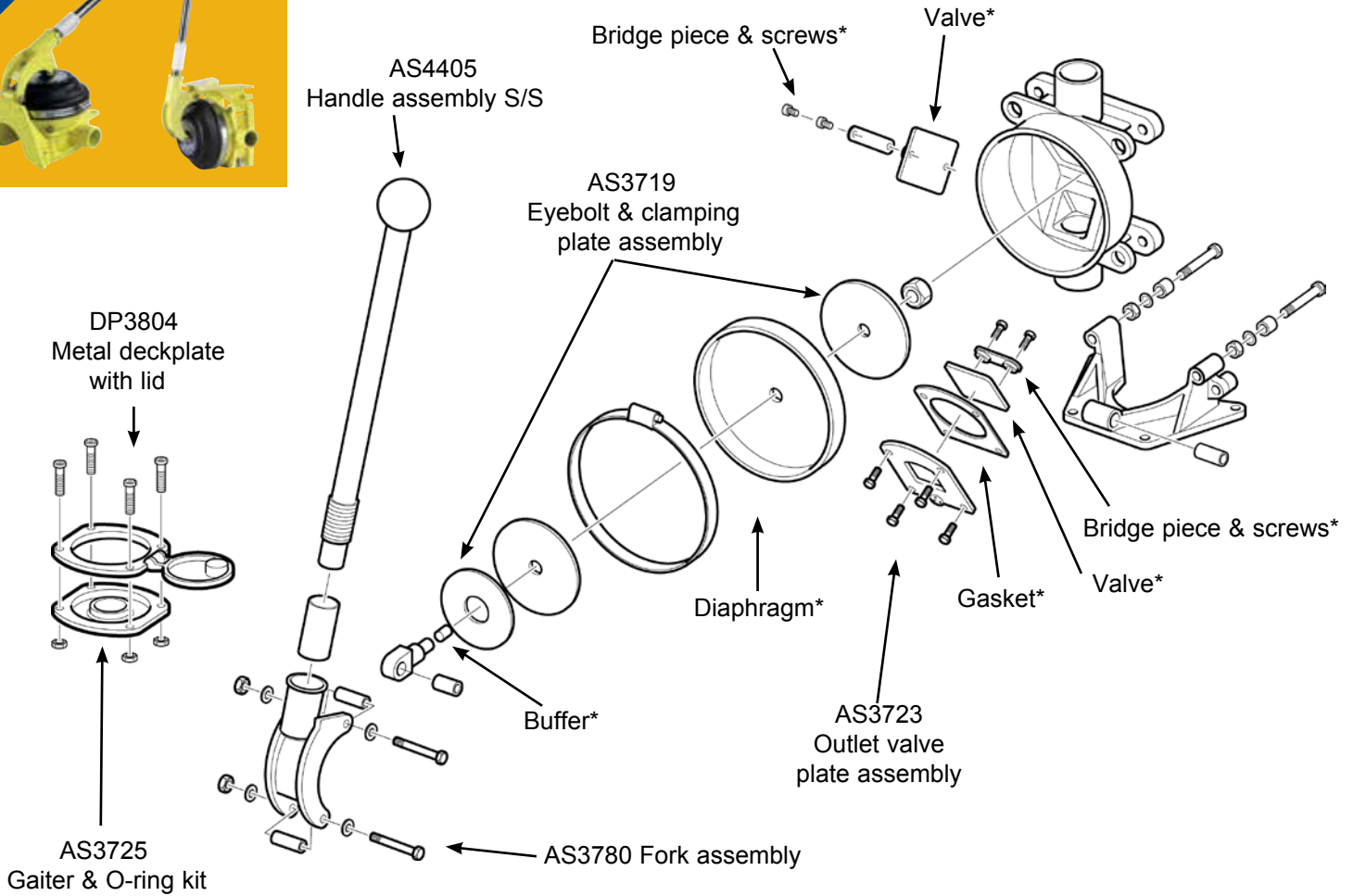
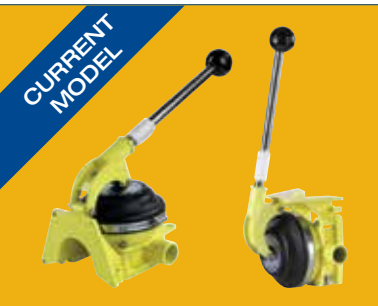


Manual Bilge Pumps

Gusher® 10 Mk 3

On Deck/Bulkhead: BP3708, Thru Deck/Bulkhead: BP3740 - Diecast Alloy Bilge Pump

Note* Contained in Service Kit AK3706 (Neoprene™) or AK3714 (Nitrile®)



Accessories

- DP3804 Alloy Deckplate
- DP8904 Plastic Deckplate with Lid
- AS4405 Spare Handle
- SB4222 Side Entry Strainer
- SB5865 Top Entry Strainer
- SF5425 1 1/2" Skin Fitting
- LV1215 1" / 1 1/2" Non Return Valve
- EB3488 1 1/2" Elbow

Service Kits

AK3706 Service Kit with Complete Set of Serviceable Parts for Whale Gusher® 10 Mk 2 & Mk 3 Pumps (Neoprene™) (See list below)

AK3714 Service Kit with Complete Set of Serviceable Parts for Whale Gusher® 10 Mk 2 & Mk 3 Pumps (Nitrile®)

Qty	Containing
2	Valve (Mk 2 pump only)
4	Screw 3/8"
4	Screw 1/2"
2	Bridge piece
1	Diaphragm
1	Buffer
2	Valve (Mk 3 pump only)
1	Gasket (Mk 3 pump only)

AS3719 Bushed Eyebolt & Clamping Plate Assembly

Qty	Containing
2	Clamping plate
1	Nut
1	Fulcrum bush
1	Eyebolt
1	Buffer
1	Label

AS3780 Fork Assembly

Qty	Containing
1	Fork
1	Insert fork
2	Bolt
2	Fulcrum sleeve
2	Nut
4	Washer
2	Fulcrum bush



Manual Bilge Pumps

Gusher® 10 Mk 3

On Deck/Bulkhead: BP3708, Thru Deck/Bulkhead: BP3740 -

Diecast Alloy Bilge Pump



AK3706



AK3714



AS3719



AS3723



AS3725



AS3780



AS4405



DP3804



DP8904



SB4222



SB5865



SF5425

Note: Cast body and mounting bracket are not available as service parts.

Service Kits (Continued)

AS3723 Outlet Valve Plate Assembly (Mk 3 only)

Qty	Containing
2	Screw
4	Screw
1	Bridge piece
1	Valve (Mk 3 Pump)
1	Valve plate
1	Gasket

AS3725 Gaiter Kit for Deckplates

Qty	Containing
1	Gaiter (for metal or plastic deckplate)
1	O-ring (for metal deckplate)



**Whale Gusher® 10 MK3 Pump
Models: BP3708 and BP3740**

READ CAREFULLY BEFORE INSTALLATION AND USE

To the Fitter: Check that the product is suitable for the intended application, follow installation instructions and ensure operating instructions are passed on to the end user.

To the User: Read the instructions carefully. (See parts diagram)

APPLICATION

This bilge pump is designed exhaust standing water. Output capacity depends on installation conditions and pumping rate. Users should be aware that capacity may not be sufficient to cope with rapid influx of water. If it is intended for any other purpose or with any other liquid, it is the users responsibility to ensure that the pump is suitable for the intended use and, in particular, that the materials are fully compatible with the liquids to be used. With all applications it is important that a system of safe working practice is applied to installation, use and maintenance.

INSTALLATION

The Gusher 10 is designed for mounting on or through deck, or on or through bulkhead. The handle can be fixed in four different positions relative to the inlet and outlet (see Fig. 1)

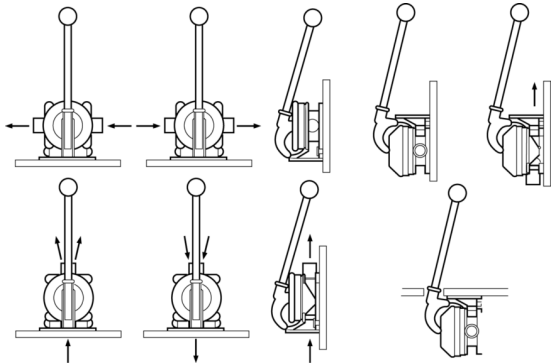
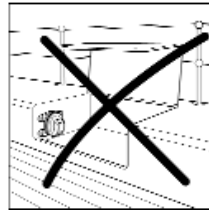


Fig. 1 - Mounting arrangements for a standard model

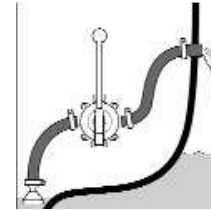
To Reposition Handle::

- (a) Slacken wormdrive clip and remove diaphragm
- (b) Undo the bolts from bracket and rotate body to new position relative to the fork and diaphragm. Note: Inlet and outlet are always at 180 to each other
- (c) Reassemble bolts, washers and securing brushes in bracket and tighten

Select a suitable position free from obstructions where the pump can be operated efficiently and comfortably



Avoid installations which require a cockpit locker to be opened in order to operate the pump.



To minimise pumping effort, site the pump halfway (in height) between the strumbox / strainer and hull outlet

To ensure good priming and flow, avoid sharp bends in pipework and fit a Whale strumbox/strainer (incorporating a non-return valve) which prevents the end of the hose sucking against a flat surface and allows the water level to be reduced to a minimum.

Ensure that the pump is installed to allow easy access for servicing.

For Mounting On Deck/Bulkhead:

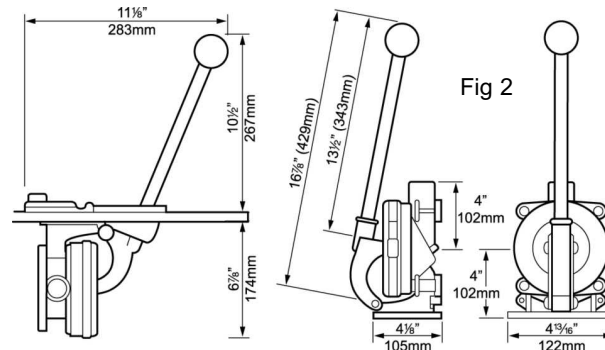
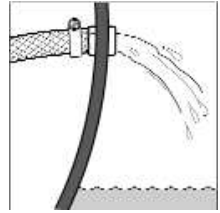


Fig 2

1. Use pump as a template, mark off and drill four 1/4" (6mm) holes.
2. Check flow direction and secure the pump with 1/4" (6mm) bolts.
3. Attach 1 1/2" (38mm) smooth bore reinforced hose with stainless steel worm drive hose clips. Tighten to prevent air leaks
4. With thru-hull discharge, make sure that the discharge point is well above the water line.
5. Check the installation for air leaks, correct priming and discharge



For Mounting Underdeck or Thru Deck/Bulkhead

Three deckplates available - see accessories

1. Using template mark off the 6 holes for the mounting and cut out the hole for the pump handle. Round off top edge of large hole as shown in fig. 3.

Deck fitting for Gusher Pumps (Half sectional elevation of deck fitting, pump and bracket)

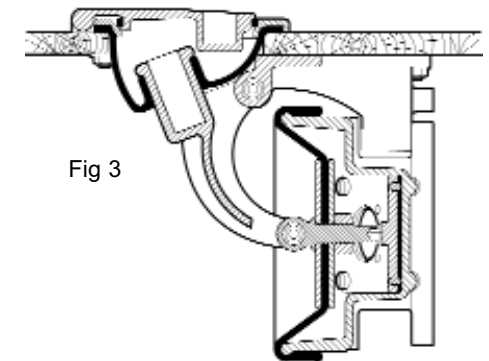


Fig 3

2. Minimum deck thickness required is 1/4" (6mm). For thinner decks use a backing plate of suitable thickness so that the backing plate plus the deck is at least the minimum thickness and no greater than 1" (25mm). Bond the backing plate to the deck. If using Deck plate DP3804 the minimum deck thickness is 1/2" (13mm)
3. Position the pump under deck and check flow direction. Work the rubber gaiter up through the hole until its flange rests on the deck. Secure the 6 1/4" (6mm) countersunk mounting screws provided.
4. As points 3 - 5 of previous instructions.

OPERATION

The Gusher 10 ensures efficient throughput with an easy pumping action. Full even strokes will obtain the best results. The detachable handle is fitted with a lanyard and should be safely secured close to the pump.

Gusher 10 output at 1m Lift and 0.5m Head

Ouput	At 60 strokes/min	At 70 strokes/min
Gallons/min	16	20
Litres/min	74	71

Fig 3: Performance table

Performance data is based on factory tests and is typical of what may reasonably be achieved. Actual performance may vary depending on installation and operating conditions.

MAINTENANCE

Inspection:

Regular inspection of the pump is recommended. Rubber components should be replaced if worn or every three years regardless of condition.

Replacement components and service kits (AK3706 for Neoprene (clean bilge water) and AK3714 for Nitrile (oily bilge water) are available from your local chandlery. It is recommended a service kit is kept on board.

Winterising

At the end of the season, drain all water in the pipework and pump chamber.

Changing the Diaphragm and Valves

1. Slacken and remove the wormdrive clip to release the diaphragm
2. Release diaphragm nut and remove diaphragm plates and diaphragm
3. Replace old inlet and outlet valves. Note: both inlet and outlet valves are same shape. The service kits contain two sets of valves - round ones for the MK 2 pump and square valves for the MK 3 pump. DO NOT mix the valve types!
4. Replace diaphragm and tighten wormclip in position and test for correct priming and discharge

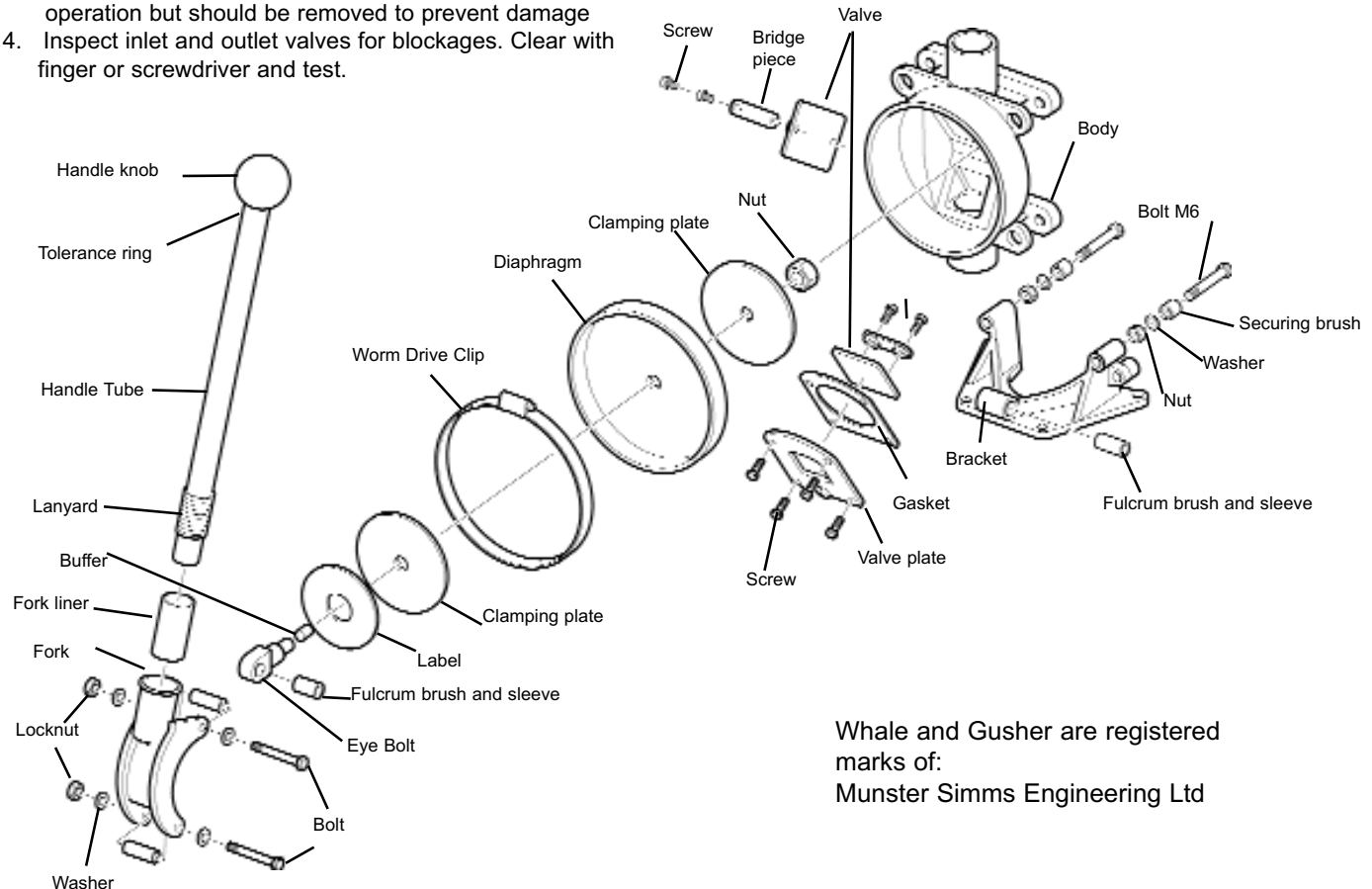
ACCESSORIES

DP3804 - Alloy deck plate with lid
DP8903 - Plastic deck plate
AK3706 - Neoprene Spares Kit
AK3714 - Nitrile Spares Kit
SF5425 - Skinfitting
SB5865 - Top entry strainer
SB4222 - Side entry strainer
DV5606 - 2 way diverter valve
EB3488 - 90° elbow (male to female)
LV1215 - In line non return valve

HELPFUL HINTS

Pump fails to prime or chokes:

1. Check inlet hose connection is airtight, free from blockages and does not collapse during suction stroke
2. Inspect diaphragms - replace if damaged
3. Solid objects in the body of the pump may not prevent its operation but should be removed to prevent damage
4. Inspect inlet and outlet valves for blockages. Clear with finger or screwdriver and test.



WARRANTY

Whale Pumps are guaranteed for 5 years (1 year on rubber parts) from date of purchase against defects in materials and workmanship. If the unit proves faulty return it to your supplier with proof of purchase and purchase date.

The manufacturer retains the right to repair or replace the unit.

The manufacturer cannot be held responsible for claims arising from the incorrect installation, unauthorised modification or misuse of the product.

The above does not affect your statutory rights.

Whale and Gusher are registered marks of:
Munster Simms Engineering Ltd