



The nature of fine china™.

DOMETIC TOILETS • www.DometicUSA.com

 **Dometic**

THE SIGN OF COMFORT

Dometic creates innovative leisure products that are all about your needs — how you and your family enjoy life’s adventures in comfort and security.

2 We understand RV sanitation like no one else. For unmatched quality, trouble-free operation and residential appeal choose from our full line of Dometic toilets. Dometic — comfort wherever your travels take you.



CONTENTS

Dometic Sanitation	3
Three Dynamic Flush Technologies	3
Magnum Opus®	4
Concerto™	5
Traveler® 510H	6
Traveler® Lite	6
Portable Toilets	6
Sanitation Products	6
Green Formula Sanitation Products.....	7
Cleaning Products.....	7
Product Specifications	7
Warranty.....	8

Dometic Sanitation

Products that simply work better.

As experts in RV sanitation, Dometic creates china toilets that surpass the competition in construction quality, performance and reliability. Here's why:



Full-size seat.

For ultimate comfort, we give each toilet a full-size seat with extra-large opening. It's just one more example of how Dometic engineers know and care about your needs.

Outstanding cleaning action.

Our 360° rim wash cleans sides thoroughly and empties bowl contents completely.



Intelligent construction.

Apart from clean, sweeping lines, toilets need to function perfectly. Full-size floor gasket seal flanges, minimal water usage (about one pint per flush) and china construction help toilets perform reliably.



Anti-splash rim.

Our contoured rim keeps water inside the deep bowl, preventing splashing while flushing or traveling. The from-the-top-down bowl rinse feature means 100 percent of the china bowl is washed with each flush.



Gravity discharge.

We do it better. Our drop-away ball and valve plus a full-size waste opening help gravity toilets achieve maximum performance.

Advanced macerator technology.

Our industry leading MasterFlush™ system pulverizes waste finer with less power than competing toilets. The 24-blade macerator turbine delivers 2,700 rpm with an amazing 1,100 cuts per second to grind waste into fine slurry with no clogging. Superior technology means 64 percent less power used than competing models, 33 percent lower amps used per flush plus a home like water trap to keep holding tank odors away from living spaces.

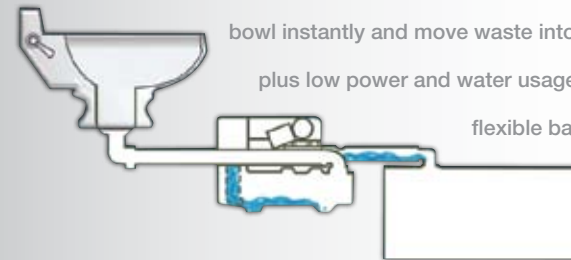


Three Dynamic Flush Technologies

Dometic makes the difference in RV sanitation.

Exclusive VacuFlush™ technology.

Unlike traditional toilets, the VacuFlush System relies on stored vacuum energy to clear the bowl instantly and move waste into the holding tank. No odor, no clogs plus low power and water usage. Our VacuFlush system also allows flexible bathroom placement and potential for multiple toilets. A significant Dometic difference.



As the industry leader in sanitation systems we're always developing new technologies to improve our products. Dometic — the best is getting better.

Magnum Opus®

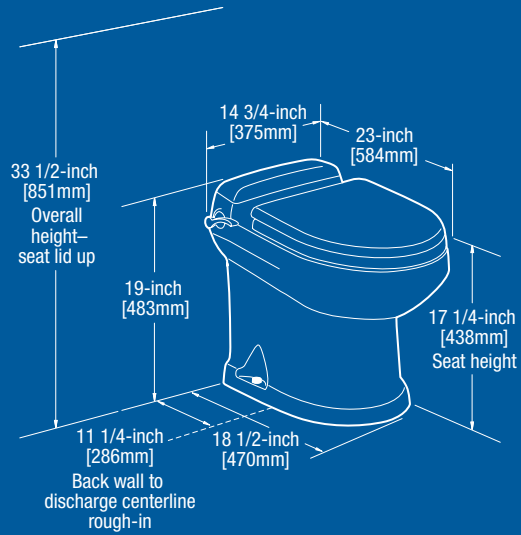
Own a high-end RV? Make sure your toilet is also deluxe. Choose Magnum Opus, our premier toilet. Made from 100 percent vitreous china, Magnum Opus comes with numerous special features to ensure the greatest comfort and convenience for your family and friends. These features include three water level settings, pressure rim flushing action that inhibits spills, and a choice of gravity discharge or the VacuFlush® system.

The residential style, elongated opening wood seat is 17 inches high, for knee and hip comfort.

Available colors.



Concerto™



The optional hand sprayer makes cleaning fast and easy.

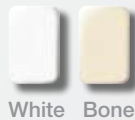


The residential style wood seat is 17 inches high and has an elongated opening for extra support and comfort.

With its European styling and 100 percent vitreous china construction, the Concerto toilet is perfect for motorhomes as well as deluxe fifth wheels and travel trailers. Concerto's soft lines and gracious curves belie its abundant features including a powerful rim flushing action to keep the bowl clean, and a very quiet operation.

Choose from chrome, gold or nickel-plated hardware. Select the electronic Flush-and-Forget™ system operated with a flush button.

Available colors.

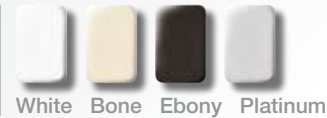


Traveler® 510H

Give your RV a more residential look and feel with a Traveler 510H toilet. Made from 100 percent vitreous china, the Traveler 510 has great residential features such as a deep bowl and standard height. Minimal water use keeps holding tank from filling quickly, and the optional hand spray helps keep the bowl clean. Low profile units are also available.



Available colors.



White Bone Ebony Platinum

Portable Toilets

Compact, lightweight Dometic portable toilets are ideal for everything from tents to pop-ups. With high-density polyethylene construction and available replacement parts and seals, our portable toilets are designed for years of service. And adult-size seats add convenience and comfort.



Available colors.



Parchment Platinum

Choose from two styles, sizes and heights: a higher-profile version with a 5-gallon capacity and a lower-profile 2.8-gallon capacity unit.

6

Traveler® Lite

Available colors.



White Bone

The Traveler Lite from Dometic has beauty, comfort, light weight and is made of 100 percent vitreous china.

Designed to fit the smaller spaces of many towables, Traveler Lite is big enough for your family's everyday use. Its features include a full-size seat, minimal water use and a pressure rim that helps eliminate splashing during transit.



Adjust the water level by simply stepping on the foot pedal. That's convenience and ease of use!

Sanitation Products

ORIGINAL FORMULA

A full line of RV sanitation products

- Holding Tank Deodorant (32 oz.)
- Holding Tank Deodorant (8 oz.)
- Rapid-Dissolving Toilet Tissue (400 sheets per roll)
- Toilet Bowl Cleaner
- Rapid-Dissolving Toilet Tissue (500 sheets per roll)
- Granulated Holding Tank Deodorant
- Holding Tank Deodorant



Green is Good!

The RV lifestyle respects the environment. That's why Dometic has created a full line of formaldehyde-free and environmentally safe products for your use. It's the natural thing to do — from Dometic.



Clean 'n Green Bowl Cleaner and Tank Deodorant

Dometic Green Formula Sanitation Products

A complete line of formaldehyde-free products for your RV



Holding Tank Deodorant and Cleaner (32 oz.)

Holding Tank Deodorant and Cleaner (8 oz.)

Rapid-Dissolving Toilet Tissue (400 sheets per roll)

Toilet Bowl Cleaner

Rapid-Dissolving Toilet Tissue (500 sheets per roll)

Granulated Holding Tank Deodorant

Holding Tank Deodorant and Cleaner

Cleaning Products

Quality products to clean and protect your RV

Dometic, in cooperation with the Fuller Brush Company, has created a full line of bathroom cleaning products specifically formulated for RVs.



Product Specifications

Model	Flush and forget™	Programmable water level	Vacuum discharge	Gravity discharge	Standard height	Low profile	Pressure rim wash	Hand spray option	Mounting bolts	Finish warranty	Limited warranty (years)	White	Bone	Platinum	Parchment	China bowl	Full size residential seat	Capacity	Weight (lbs.)
Magnum Opus®	●	●	●	●	●		●	●	4	10	2	●	●			●	●	N/A	65 lbs.
Concerto™	●			●	●		●	●	4	10	2	●	●			●	●	N/A	
Traveler® 500H			●	●	●	●	●	●	2	10	2	●	●	●		●	●	N/A	
Traveler® Lite			●	●	●	●	●	●	2	10	2	●	●			●	●	N/A	33 lbs.
SaniPottie® (small)											1			●	●			2.8 Gal.	
SaniPottie® (large)											1			●	●			5 Gal.	
970 Series (small)														●	●			2.6 Gal.	
970 Series (large)														●	●			5 Gal.	

THE DOMETIC WARRANTY

We build products that provide a life of comfort for all people, away from home. Demand Dometic when you want quality products for your RV, and rest assured they're backed by the strongest warranties in the business. Our toilets carry a 2 year limited warranty on ceramic models and 1 year limited warranty on portables. You'll find that most Dometic products carry a 3-year Protection Plus limited warranty that includes parts and freight coverage for a full 3 years and 2 years on the labor. You can also purchase extended service contracts for refrigerator and climate control products that provide up to 6 full years of parts, labor and freight coverage.



See your Dometic dealer for complete details on the product that interests you most. **Dometic Refrigeration:** A style and size for every RV and way of life. **Dometic Awnings:** Maximum protection with little maintenance. **Dometic Sanitation:** sets the standard for RV comfort and convenience. **Dometic Climate Control:** A full-line of options to heat and cool your RV. **Dometic Microwave Ovens:** Prepare means your way even when on the go.

DOMETIC GROUP

Dometic is a customer driven, world-leading provider of innovative leisure products for the recreational vehicle and marine markets. Dometic offers a complete range of air conditioners, refrigerators, awnings, stovetops, sanitation systems, lighting, windows, doors and other equipment that makes leisure life more comfortable away from home.

Dometic also provides refrigerators for specific use in hotel rooms, offices and for storage of medical products and wine. Dometic's products are sold in almost 100 countries and are produced mainly in Dometic's own production facilities around the world. Dometic has over 5,000 employees.

For more information, visit our Web site.
www.DometicUSA.com

 **Dometic**
THE SIGN OF COMFORT