

CATEGORY OVERVIEW	30-32
LED SIDELIGHTS	33
SIDELIGHTS	34-39
POLE LIGHT OVERVIEW	40
BI-COLOR POLE LIGHTS	41-42
ALL-ROUND POLE LIGHTS	43-47
POLE LIGHT BASES	48-51
ALL-ROUND FOLD-DOWN LIGHTS	52-53
ALL-ROUND LIGHTS	54
ANCHOR/MASTHEAD LIGHTS	55
TRANSOM LIGHTS	56
LED MARINE LIGHTING	57-60
BATTERY OPERATED LIGHTS	61
NAVIGATION LIGHTING ACCESSORIES	62
REPLACEMENT LENSES	63-64

LIGHTING THE WAY

Types of Navigation Lights

This section is divided into four basic types of navigation lights, differentiated by lens color, beam angle (horizontal cut-off angle), and location on the boat. All lights are for 12-volt DC applications only. Styles may vary, but the color, cut-off angle, and location must always comply with the following standards:

Sidelights



Color: Red (Port), Green (Starboard)
Cut-off: From dead ahead to 112.5° aft on either side of center line (225° total horiz. arc)

All-Round Lights



For boats less than 12 meters (39.4 feet). The white all-round light may be used in lieu of a masthead or transom light.

Color: White.
Cut-off: Unbroken arc of 360° on the horizon.
Mounting: As near to the fore and aft centerline as possible.

Anchor/Masthead Lights



Color: White. Cut-off: unbroken arc from dead ahead to 112.5° aft on either side of center line (225° total horizontal arc) plus 135° dead astern.
Mounting: Placed over the fore and aft centerline.

Transom Lights



Color: White. Cut-off: unbroken horizontal arc of 67.5° each side dead astern (135° total horizontal arc).
Mounting: As far aft as possible.

Certifications, Codes and Standards

This section provides you with some general information on the selection and installation of navigation lights for pleasure boats of 20 meters (65.6 feet) or less. For details refer to: ABYC A-16, 72 COLREGS, Inland Navigation Rules, U.S. Code of Federal Regulations Title 33 Part IP, or international regulations. The following Attwood navigation lights are NMMA listed and meet 72 COLREGS as noted.

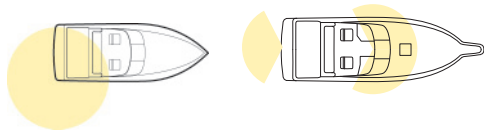


This symbol indicates Attwood navigation lighting products that have been certified according to the latest U.S. Coast Guard regulations.

Model No.	NMMA No.	Meets 72 COLREGS
3100 Series	91183	YES
3120 Series	91185	YES
3130 Series	91221	YES
3150 Series	91222	YES
3200 Series	91520	YES
3810	91186	YES
3820	91223	YES
3830 Series	2456658	YES
3900 Series	91508	YES
5040 Series	91204	YES
5045 Series	91102	YES
5080 Series	91205	YES
5085 Series	91103	YES
5090 Series	91104	YES
5100 Series	91511	YES
5300 Series	91512	YES
5600 Series	2528266	YES
5900 Series	91518	YES
5940 Series	91515	YES
6356D	91420	YES
6357D	91110	NO
6358D	91210	NO
6368	91170	NO
6375D	91112	NO
6383	91120	NO
66314	91215	NO
66318	91148	YES
66319	91217	YES
66320	91217	YES
66382	91425	YES
7100 Series	91520	YES
7200 Series	2456711	YES
7300 Series	91300	YES
7400 Series	2456711	YES
LED Lights		
3520 Series	2459213	YES
3530 Series	2459224	YES
3540 Series	2459730	YES
3550 Series	2459731	YES
3560 Series	2497759, 60	YES
3570 Series	2497761, 62	YES
3580 Series	2509519, 20	YES
3592 Series	2507685	YES
5530 Series	2459732	YES
5540 Series	2459733	YES
5550 Series	2459733	YES
5580 Series	2501760	YES
7800 Series	2459859	YES
6556 Series	2459860	YES

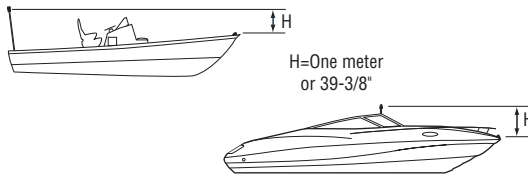
Boats At Anchor

When anchored in other than designated areas, any boat under 50 meters (164 ft.) must have a 360° white light in view (a single all-round light, or a masthead and transom light, or other means).

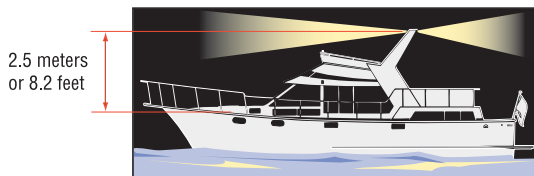


Vertical Separation of Lights

Pole length and location determines light separation. On boats under 12 meters (39.4 feet), the all-round or masthead light must be located a minimum of one meter (39-3/8 inches) above the red-green sidelights. The "One-Meter" must be the height separation measured from bulb filament centers.



On boats of 12 to 20 meters (39.4 to 65.6 feet), the masthead light must be at least 2.5 meters (8.2 feet) above the gunwale.

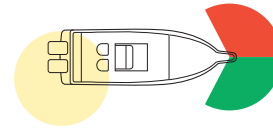


Boats Underway

This section outlines the navigation lighting required according to current US Coast Guard and 72 COLREGS (International Waters) regulations. When underway, the required navigation lights are:

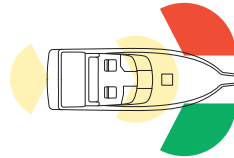
Power-driven boats less than 12 meters (39.4 feet) with max. speed over 7 knots:

Sidelight pair or combined-1 mile; All-Round Light-2 mile; or Masthead Light-2 mile with Transom Light-2 mile.



Power-driven boats 12 to 20 meters (39.4 to 65.6 feet):

Sidelight pair or combined-2 mile; Masthead Light-3 mile; and Transom Light-2 mile. All-Round Light may not be used.

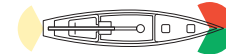
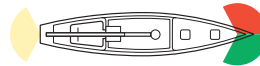


Sailboats Under Motor Power:

When under power, sailboats are considered power boats and must operate with power boat lights as outlined above.

Sailboats less than 7 meters (23 feet) under sail:

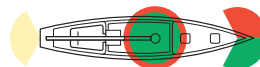
Sidelight pair or combined-1 mile; Transom Light-2 mile; flashlight or lighted lantern.



Sailboats 7 to 20 meters (23 to 65.6 feet) under sail:

3 different light configurations may be acceptable:

1. Sidelights & Transom Light.
2. A Sidelight & Transom Light combined in one light (a Tri-Color Light) mounted at or near top of mast.
3. Sidelights & Transom Light, or two All-Round Lights, mounted at or near the top of the mast, the upper light being red and the lower green.



Small, Oar-Driven Boats:

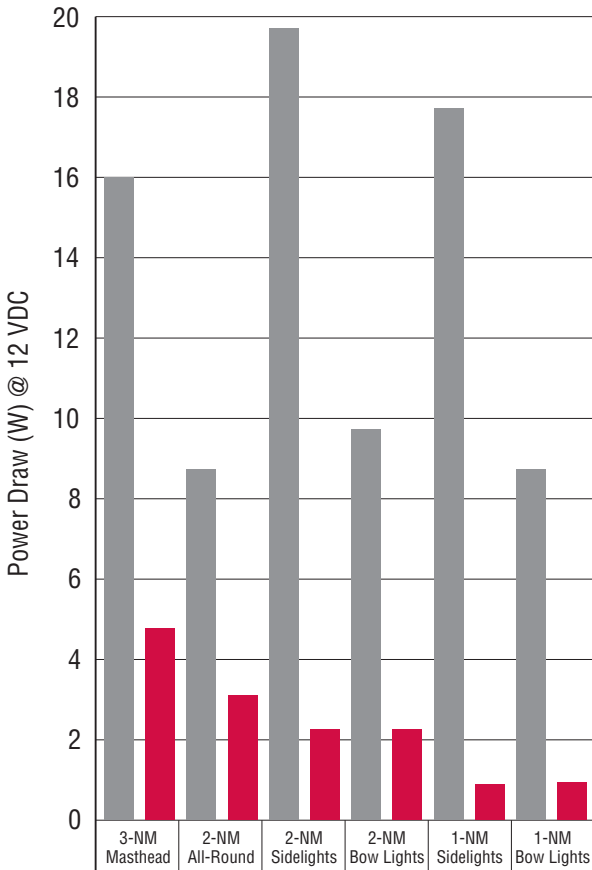
Sidelight pair or combined, 1 mile; Transom Light-2 mile; flashlight or lighted lantern.

Various other light requirements are outlined in the standards regarding towing, vessels aground, and other special conditions. Consult the Inland Navigation Rules, 72 COLREGS, or USCG for details.

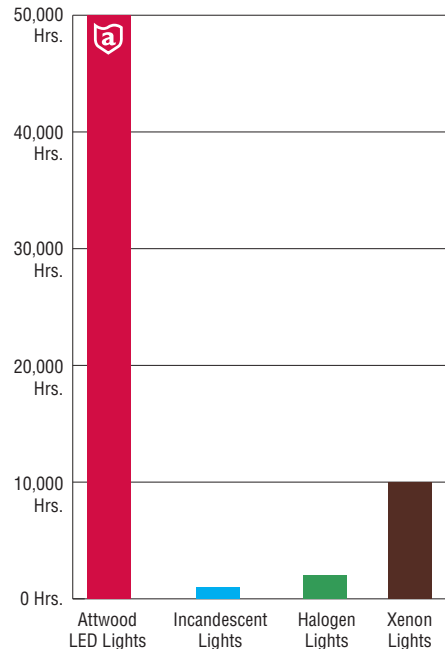
WHY ATTWOOD LED?

A New Level of Efficiency

Attwood presents the most energy efficient LED navigational lights in the world. Through the use of proprietary optical design techniques, we've optimized our lens design to harness nearly 90% of all light being generated by the LED. In doing so, our line of LED series navigational lights exceed US Coast Guard requirements with the fewest and lowest watt LEDs of any navigational light manufactured today. Less energy used by navigational lighting means more energy available for powering your boat and enjoying time on the water.



■ Attwood LED
■ Incandescent

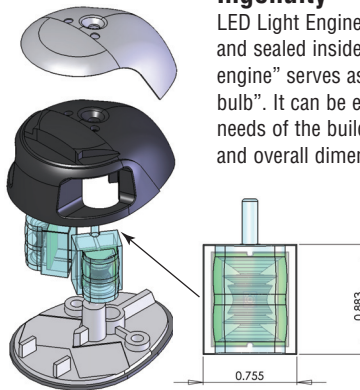


Engineered to Last

As the emerging leader in the marine lighting design, Attwood understands the demands of the marine environment. Completely sealed LED units resist water intrusion, electrostatic discharge, (during assembly) vibration and ultraviolet light (UV) radiation. Reverse polarity protection has been added to eliminate potential mis-wiring damage during installation. Our LED navigational lighting also features high quality electro-polished stainless steel covers designed to resist corrosion in even the most extreme saltwater environments. The result? Style and durability. Most importantly, Attwood lights are built to stand the test of time. Rated for 50,000+ hours of use and protected by a 10-year warranty, you can count on Attwood products to light your way for years to come.

Ingenuity

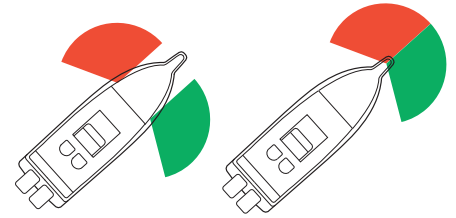
LED Light Engine Consisting of an LED positioned and sealed inside a lens assembly, the "light engine" serves as the equivalent of an LED "light bulb". It can be easily customized to meet the needs of the builder in terms of attachment scheme and overall dimensions.



3500 SERIES LED LIGHTS

LED Sidelights

- 2.4 watts at 12VDC - the lowest power draw on the market today!
- Lights are completely sealed and watertight
- Bi-color lights provide 225° light visibility. Red/Green Sidelights each provide 112.5° visibility
- LED technology keeps lights cool to the touch and is rated for 50,000+ hours of use
- Built-in "Tell Tale" indicators



1-Mile Lights

For use on boats up to 39.4ft (12m) in length.

1 NM
USCG

Description	Bulk Packaging	Aftermarket Packaging**
STAINLESS STEEL		
1-NM Bi-Color	3520-1	3520-7
1-NM Red/Green, Pair	3530-1	3530R7 / 3530G7*
WHITE PLASTIC		
1-NM Bi-Color	—	3520W7

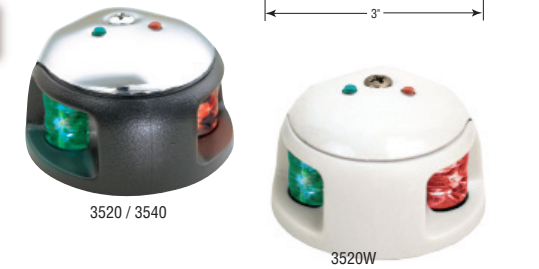


2-Mile Lights

For use on boats up to 65.6ft (20m) in length.

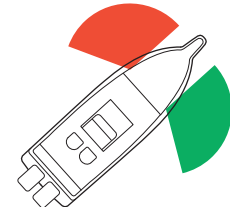
2 NM
USCG

Description	Bulk Packaging	Aftermarket Packaging**
STAINLESS STEEL		
2-NM Bi-Color	3540-1	3540-7
2-NM Red/Green, Pair	3550-1	3550R7 / 3550G7*



LED Vertical Sidelights

- 2.4 watts at 12VDC - the lowest power draw on the market today!
- Lights are completely sealed and watertight
- LED technology keeps lights cool to the touch and is rated for 50,000+ hours of use
- Compact: only 2" in diameter
- Quick and easy installation with no exposed fasteners
- Designed to resist corrosion in the even the most extreme saltwater environments
- Red/Green Sidelights each provide 112.5° visibility



1-Mile Lights

For use on boats up to 39.4ft (12m) in length.

1 NM
USCG

Description	Bulk Packaging	Aftermarket Packaging**
STAINLESS STEEL		
1-NM Red/Green, Pair	3560-1	3560-7

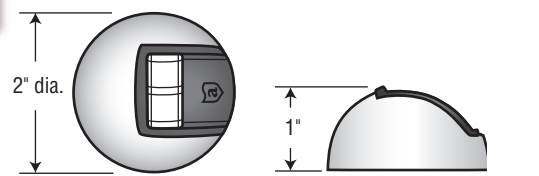


2-Mile Lights

For use on boats up to 65.6ft (20m) in length.

2 NM
USCG

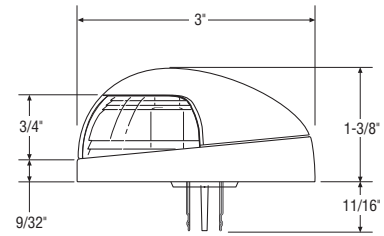
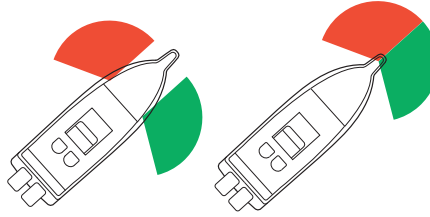
Description	Bulk Packaging	Aftermarket Packaging**
STAINLESS STEEL		
2-NM Red/Green, Pair	3570-1	3570-7



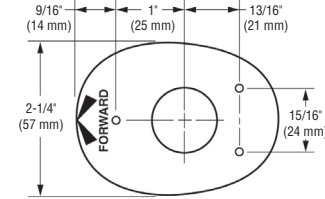
* Red/Green Sidelights packaged separately for aftermarket.
** -7 = Clamshell

QUASAR™ 2-MILE SIDELIGHTS

Quasar lights are intelligently planned for easier installation, maintenance, and efficient light output. For use on boats up to 65.6 ft. (20 meters).



- Smooth contour prevents lines from snagging on housing
- Available in a variety of finishes
- Lens resin color (red/green) tuned to maximum sensitivity of the human eye for optimum visibility
- Single external stainless steel lock screw attaches cover to base, permits easy disassembly for servicing
- Stainless steel electrical contacts will not corrode
- Attaches directly to deck with concealed #10 fasteners – or to one of the Sidelight Snap-On Bases (3300 Series)
- 1/4" stainless steel contacts or 7" hard wire leads for connection to 12 VDC power supply
- Includes 8-watt festoon bulb



Bi-Color Combination, Deck Mount

2-mile, 225° light visibility.

2 NM
USCG

Description	Socket	Bulk Packaging	Aftermarket Packaging**
Black	1/4" quick connect	3100-1	—
	7" wire lead	3120-1	3120-7
White	1/4" quick connect	3101-1	—
	7" wire lead	3121-1	3121-7
HIPPI / Chrome (Black Base)	1/4" quick connect	3103-1	—
	7" wire lead	3123-1	3123-7
Cream	1/4" quick connect	3104-1	—



3120

Red/Green Pair, Deck Mount

Each light provides 2-mile, 112.5° light visibility.*

2 NM
USCG

Description	Socket	Bulk Packaging	Aftermarket Packaging**
Black	1/4" quick connect	3130-1	—
	7" wire lead	3150-1	3150R7 / 3150G7†
White	1/4" quick connect	3131-1	—
	7" wire lead	3151-1	—
HIPPI / Chrome (Black Base)	1/4" quick connect	3133-1	—
	7" wire lead	3153-1	3153R7 / 3153G7†
Cream	1/4" quick connect	3134-1	—

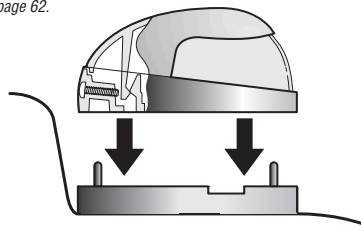


3150R



3150G

* To speed installation, a snap-on base is available. See page 62.



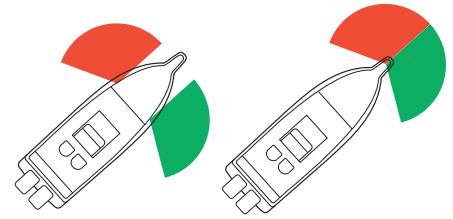
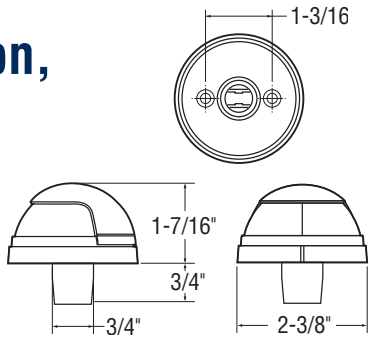
† Red/Green Sidelights packaged separately for aftermarket.
** -7 = Clamshell



1-MILE SIDELIGHTS

Bi-Color Combination, Deck Mount

Twist/bayonet lock design secures lens and cover to base. Includes a 9-Watt (#906) wedge base lamp and 7" wire leads for connection to 12 VDC power supply. Installs directly to deck with two #10 fasteners. Cover and lens conceal installation fasteners and seal water out of lamp and hull. For use on boats up to 39.4 ft. (12 meters). 1-mile, 225° light visibility.



1 NM
USCG

Description	Bulk Packaging	Aftermarket Packaging**
Black	5045-1	5045-7
White	5045WH1	—
Cream	5045CR1	—
304 Stainless Steel	5045SS1	5045SS7



Red/Green Pair, Deck Mount

Each light provides 1-mile, 112.5° light visibility. Includes a 9-Watt (#906) wedge base lamp.

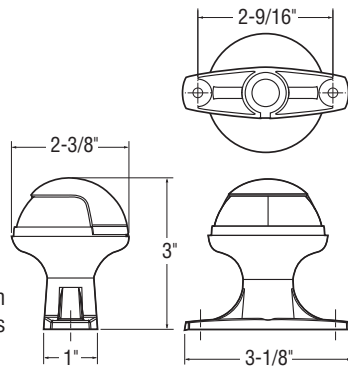
1 NM
USCG

Description	Bulk Packaging	Aftermarket Packaging**
Black	5040-1	5040R7 / 5040G7*
White	5040WH1	—
Cream	5040CR1	—
304 Stainless Steel	5040SS1	5040SSR7 / 5040SSG7*



Red/Green Pair, Raised Base

Ideal for use where the light must be elevated for visibility above rails and carpeting. Notch in rear of mounting base provides passage for wire leads. Each light provides 1-mile, 112.5° light visibility. For use on boats up to 39.4 ft. (12 meters). Two pre-drilled holes for required #10 fasteners. Includes a 9-Watt (#906) wedge base lamp.



1 NM
USCG

Description	Bulk Packaging	Aftermarket Packaging**
Black	—	5080R7 / 5080G7*

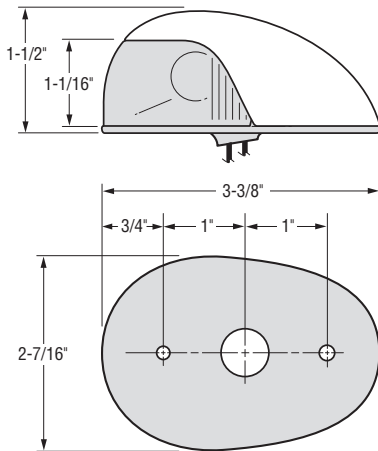
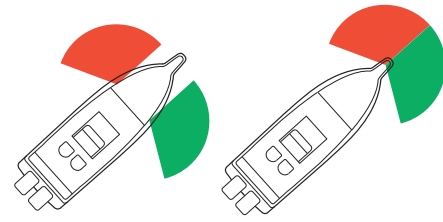


* Red/Green Sidelights packaged separately for aftermarket.
** -7 = Clamshell

STAINLESS STEEL 2-MILE SIDELIGHTS

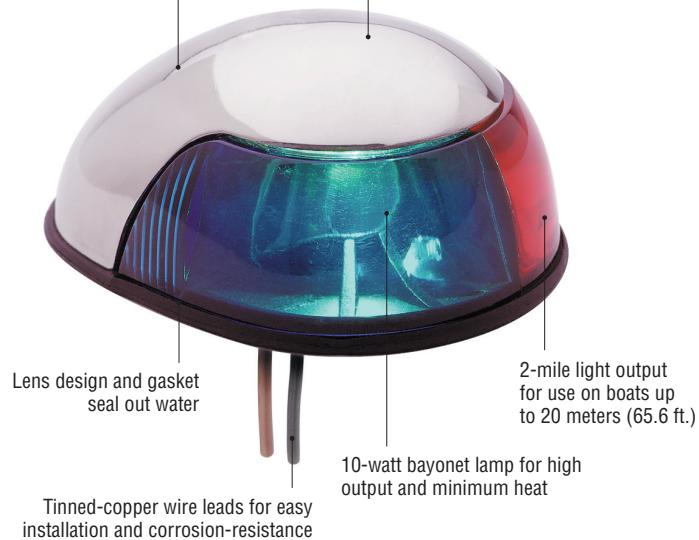
Attwood's 2-Mile Stainless Steel sidelights are made with a rugged 316 stainless steel cover for outstanding resistance to impact and corrosion. For use on boats up to 65.6 ft. (20 meters).

- Smooth contour prevent lines from snagging on housing
- A single external stainless steel lock screw attaches cover to base, permits easy disassembly for servicing
- Stainless steel electrical contacts will not corrode
- Cover design and integral gasket seal out water; make installation and maintenance simple
- Includes efficient, high-output 10-watt bayonet lamp
- Tinned 7" wire leads make it easier to make a permanent, corrosion-resistant connection
- Compact size allows installation on confined decks



Stainless Steel cover and electrical contacts — for good looks, corrosion-resistance and long life

Locking screw for easy assembly and maintenance



Bi-Color Combination, Deck Mount

2-mile, 225° light visibility.

2 NM
USCG

Description	Rated Voltage	Bulk Packaging	Aftermarket Packaging**
Stainless Steel	12-volts	3810-1	3810-7
	24-volts	3811-1	—



Red/Green Pair, Deck Mount

Each light provides 2-mile, 112.5° light visibility.*

2 NM
USCG

Description	Rated Voltage	Bulk Packaging	Aftermarket Packaging**
Stainless Steel	12-volts	3820-1	3820R7 / 3820G7*
	24-volts	3821-1	—



* Red/Green Sidelights packaged separately for aftermarket.
** -7 = Clamshell

VERTICAL MOUNT 2-MILE SIDELIGHTS

Visibility, Style and Durability

- Clean, contoured shape blends in well making the light less noticeable, providing an integrated look with the boat
- Choice of cover colors includes: Black, White, and 316 Stainless Steel
- Rugged stainless steel internal components for corrosion-free performance
- 2-mile output for boats to 20 meters (65.6 ft.)
- Tinned 7" wire leads make it easier to make a permanent, corrosion-resistant connection

Contoured Styling

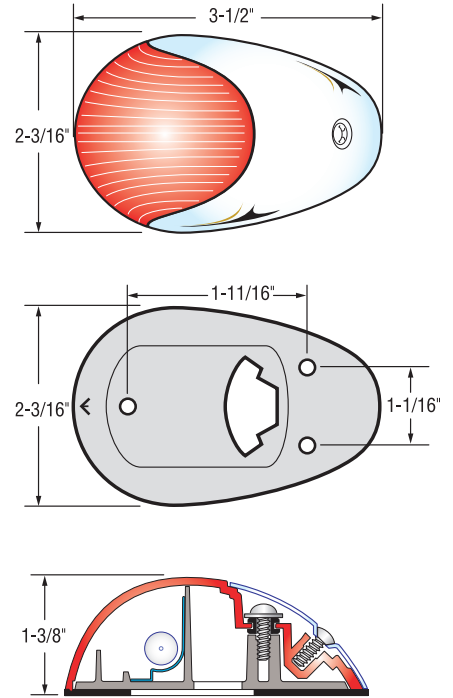
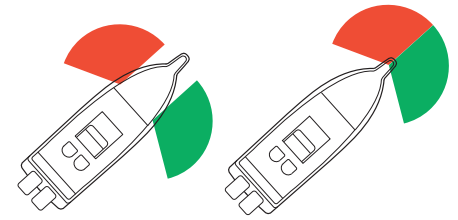
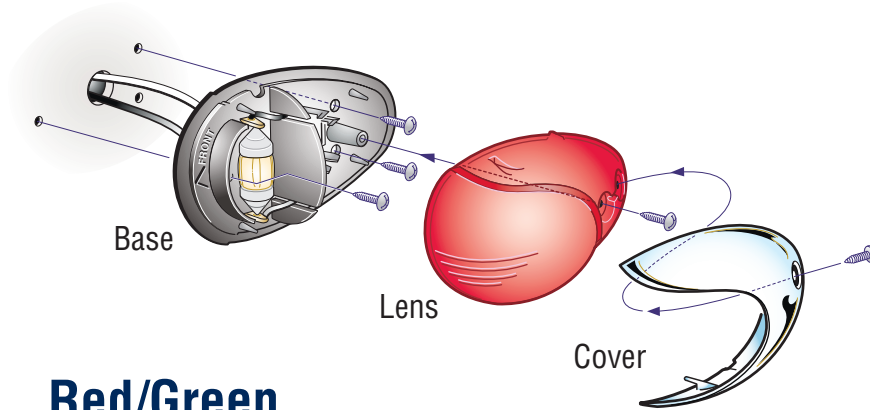
Also matches the 3800 Series, 2-Mile Horizontal Mount Sidelights. Provides builders with a family look for navigation lights between different model offerings.

Durable Construction

The one-piece lens and full-perimeter gasket design make the light virtually waterproof when properly installed. The durable plastic or Stainless Steel helmet provides rugged protection to the lens and lamp. And the internal electrical contacts are stainless steel, so corrosion is not a problem – even in saltwater.

Simple Installation, Small Footprint

Just remove one screw to detach the helmet, and then install the base directly to vertical surfaces. The small size makes it simple to install in confined areas. Typical Installation Requires: Three #10 stainless steel screws of length suitable for deck material.



Red/Green Sidelights, Pair

Each light provides 2-mile, 112.5° light visibility.*

1 NM
USCG

Description	Rated Voltage	Bulk Packaging	Aftermarket Packaging**
Black Plastic	12-volts	3830-1	3830R7 / 3830G7
	24-volts	3831-1	—
White Plastic	12-volts	3834-1	3834R7 / 3834G7
	24-volts	3835-1	—
Stainless Steel	12-volts	3838-1	3838R7 / 3838G7
	24-volts	3839-1	—



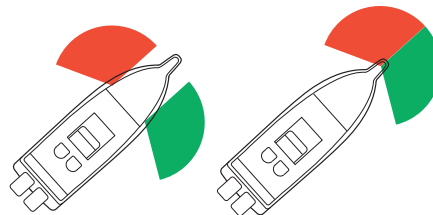
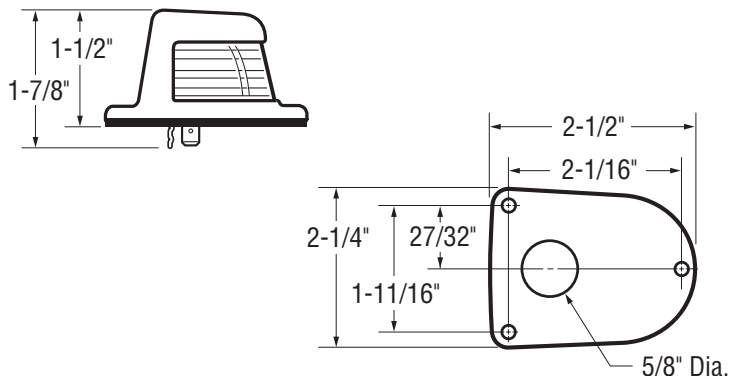
* Red/Green Sidelights packaged separately for aftermarket.
** -7 = Clamshell

SIDELIGHTS

LIGHTING 37

STAINLESS STEEL 1-MILE SIDELIGHTS

Constructed of corrosion-resistant 304 Stainless Steel, these lights provide 1-mile visibility for power boats up to 39.4 ft. (12 meters). Lights include rubber gasket lens seals for enhanced internal corrosion-resistance. Includes one 7.5 watt lamp. For connection to 12 VDC power supply.



Bi-Color Combination, Deck Mount

Installs with three #6 mounting fasteners (not included). Provides 1-mile, 225° light visibility.

1 NM
USCG

Description	Bulk Packaging	Aftermarket Packaging**
Stainless Steel	66318-1	66318-7

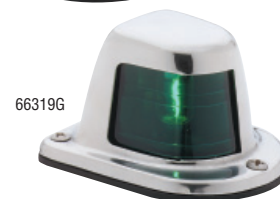


Red/Green Pair, Deck Mount

Installs with three #6 mounting fasteners (not included). Each light provides 1-mile, 112.5° light visibility.*

1 NM
USCG

Description	Socket	Bulk Packaging	Aftermarket Packaging**
Stainless Steel	7" wire lead	—	66319R7 / 66319G7*
	1/4" quick connect	66320-1	—



Red/Green Pair, Vertical Mount

Installs with three #6 stainless steel fasteners, included. Each light provides 1-mile, 112.5° light visibility.*

Description	Bulk Packaging	Aftermarket Packaging**
Stainless Steel	—	66314R7 / 66314G7



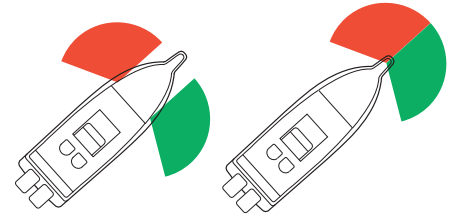
* Red/Green Sidelights packaged separately for aftermarket.

** -7 = Clamshell

ZAMAK

1-MILE DECK MOUNT SIDELIGHTS

These die-cast ZAMAK sidelights with Perma-Plate® finish provide one-mile visibility for power boats up to 39.4' (12 meters). Mounts on decks or gunwales with external screws. Includes 7.5-watt lamp and 7" hard wire leads for 12 VDC electrical connection.



Bi-Color Combination

Housing completely encases socket. Installs with two #8 fasteners (not included). Provides 1-mile, 225° light visibility.

Description	Bulk Packaging	Aftermarket Packaging**
Chrome-Plated ZAMAK	—	6375D6



6375D6

Bi-Color Combination, Plastic Base

The most corrosion-resistant ZAMAK light on the market. Patented low-profile design. Black, matte finish plastic base. Installs with two #8 fasteners (not included). Provides 1-mile, 225° light visibility.

Description	Bulk Packaging	Aftermarket Packaging**
Chrome-Plated ZAMAK with Black Plastic Base	—	6383-7



6383-7

Bi-Color Combination, Bullet Style

A great replacement on older, traditional-style boats or pontoons. Lamp can be serviced without removing light from boat. Installs with two #10 fasteners (not included). Provides 1-mile, 225° light visibility.

Description	Bulk Packaging	Aftermarket Packaging**
Chrome-Plated ZAMAK	—	6357D7



6357D7

Red/Green Pair, Bullet Style

A great replacement on older, traditional-style boats or pontoons. Lamp can be serviced without removing light from boat. Installs with two #10 fasteners (not included). Each light provides 1-mile, 112.5° light visibility.*

Description	Bulk Packaging	Aftermarket Packaging**
Chrome-Plated ZAMAK	Horizontal Mount	6358R7 / 6358G7*
	Vertical Mount	6359R7 / 6359G7*



6358R



6358G

* Red/Green Sidelights packaged separately for aftermarket.
 ** -6 = Blister, -7 = Clamshell

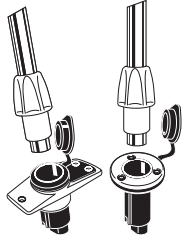
PLUG-IN POLE LIGHTS

Attwood offers a selection of durable stowaway pole-mounted lights. Plug-in Pole Lights are available in socket styles to fit almost any base—Attwood’s 2- and 3-pin bases, or even competitive brands of bases when the 2- or 3-pin Locking Collar pole is specified.

Pole Light Selection

Simply choose the style of light head and lens you need then select the pole style to fit your existing base. Or select a matching base best suited to your installation location.

Locking Collar with “Universal Fit” for Attwood & competitive bases



LOCKING COLLAR POLE WITH “UNIVERSAL FIT”

The locking collar poles offer “Universal Fit” because customers can use them with a wide variety of Attwood 2- and 3-pin straight or angled bases. They even work as replacements in competitive bases, including Perko® brand bases.

Locking collar poles with “Universal Fit” offer these advantages:

Aftermarket Advantages

Less inventory for the retailer to stock because these poles fit Perko® brand and Attwood bases. Less hassle for your customer because the retailer can offer a “No Question” fit. Installs with three #6 mounting fasteners (not included). Provides 1-mile, 225° light visibility.

OEM Advantages

Easier installation and less inventory hassle because “Universal Fit” poles fit a wide variety of Perko® brand and Attwood bases.

For Attwood standard bases



STANDARD POLE

Standard pole is used on Attwood all-round, masthead, transom, and sidelights. Fits all Attwood standard (non-locking collar) 2- and 3-pin contact bases.



Locking Collar Pole

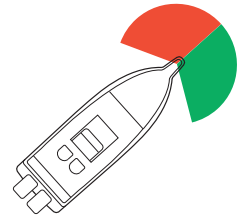


Standard Pole

Perko® is a registered trademark of Perko, Inc.

POLE-MOUNTED 1-MILE SIDELIGHTS

Attwood offers a variety of durable stowaway combination pole-mounted sidelights for bow mounting. Each features an anodized aluminum pole that raises the light head for visibility above the trolling motor, anchor, or other equipment on the bow. When not in use, lights can be removed from base and stowed, so they won't interfere with fishing or anchoring. See page 48-51 for pole light bases.



LED Bi-Color Combination

Attwood's popular stowaway pole mounted bi-color lights are now available in LED form. Attwood has once again incorporated its proprietary LED technology to provide an extremely durable, long lasting and energy efficient navigational light. Each light features an anodized pole that raises the light head above the trolling motor, anchor or other equipment mounted to the bow. When not in use, lights can be removed from the base and stowed.



- Compatible with both Attwood and Perko bases
- 2.4 watts at 12VDC - the lowest power draw on the market today!
- Lights are completely sealed and watertight
- LED technology keeps lights cool to the touch and is rated for 50,000+ hours of use
- Built-in "Tell Tale" indicators
- Provide 1-mile, 225° light visibility

Series	Use with Light Base
3592	91020, 91022, 91024, 91026* 91041, 91042, 91043, 911339, 911370, 911445, 911490

* When locking collar is removed.

Description	Pole Length	Bulk Packaging	Aftermarket Packaging**
2-Pin Locking Collar Pole	10" Straight	3592-10-1	—
	12" Straight	3592-12-1	—
	14" Straight	3592-14-1	3592-14-7
	14" Angled	—	3591-14-7
2-Pin Standard Pole	10" Straight	3593-10-1	—
	12" Straight	3593-12-1	—
	14" Straight	3593-14-1	—



PULSAR™ Bi-Color Stowaway

1-mile, 225° light visibility for boats up to 39.4 ft. (12 meters). Includes 9-watt wedge base lamp.

Series	Use with Light Base
5091, 5092, 5097	91020, 91022, 91024, 91026* 91041, 91042, 91043, 911339, 911370, 911445, 911490

* When locking collar is removed.

Description	Pole Length	Bulk Packaging	Aftermarket Packaging**
2-Pin Locking Collar Pole	10" Straight	5092-10-1	5092-10-7
	14" Straight	5092-14-1	5092-14-7
	16" Straight	5092-16-1	—
	10" Angled	—	5091-10-7
2-Pin Standard Pole	10" Straight	5097-10-1	—
	10" Angled	5091-10-1	—
	12" Straight	5097-12-1	—
	12" Angled	5091-12-1	—
	14" Straight	5097-14-1	—
	14" Angled	5091-14-1	5091-14-7

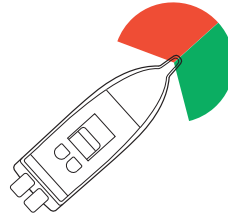


** -7 = Clamshell



Bi-Color Stowaway with Task Light

Based on the same great design of the original Pulsar™ Bi-Color Pole Light, the Task Light also gives you a narrow beam work light. It features a durable rubber “push-on” switch and a micro bulb. Attwood’s Task Light output is 10 times brighter than competitive models, giving today’s fishermen the tools they need for serious night time fishing.



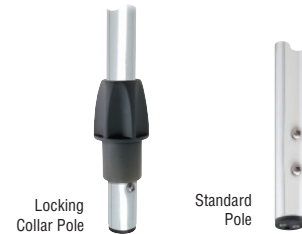
Provides one-mile, 225° bi-color (red/green) light visibility for boats up to 39.4 ft. (12 meters). Lamps included: 9-watt wedge-base lamp for navigation and separately-wired 5,000 hour, non-replaceable task light lamp.

Series	Use with Light Base
5095	91021, 91025* 91045, 91046, 91047

* When locking collar is removed.

1 NM
USCG

Description	Pole Length	Bulk Packaging	Aftermarket Packaging**
3-Pin Locking Collar Pole	10" Straight	—	5095-10-7
	14" Straight	5095-14-1	—
3-Pin Standard Pole	10" Straight	5098-10-1	—



ZAMAK Bi-Color Stowaway, Angled

One-mile, 225° red/green light visibility with bi-color lens and one 7.5-watt lamp. 10" pole. In use by OEMs for over 15 years, there is a proven replacement market for this light. Constructed of die-cast ZAMAK with Perma-Plate® finish. Lens is polycarbonate.

Series	Use with Light Base
910851	91020, 91022, 91024, 91026* 91041, 91042, 91043, 911339, 911370, 911445, 911490

* When locking collar is removed.

1 NM
USCG

Description	Pole Length	Bulk Packaging	Aftermarket Packaging**
2-Pin Standard Pole	10" Angled	—	910851-7
2-Pin Standard Pole with 911339 Base	10" Angled	—	6368-3



** -7 = Clamshell

POLE-MOUNTED 2-MILE ALL-ROUND LIGHTS



Attwood all-round lights offer 2-mile, 360° visibility and are suitable on boats up to 39.4 feet (12 meters). Power vessels less than 39.4 feet may show a single, all-round light in lieu of a separate masthead and stern light. Attwood all-round lights are available in a variety of head, pole, and base styles to fit most style boats and installation locations. On boats under 12 meters the 360° all-round light is the most important navigation light because it can be seen by others from any direction. The drawback is that, in some cases, old style all-round lights create an on-board safety hazard for the driver—blinding glare at the helm.

LED ANTI-GLARE, ANTI-GLARE LIGHTS AND FROSTED GLOBE LIGHTS

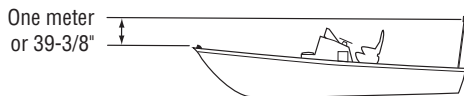
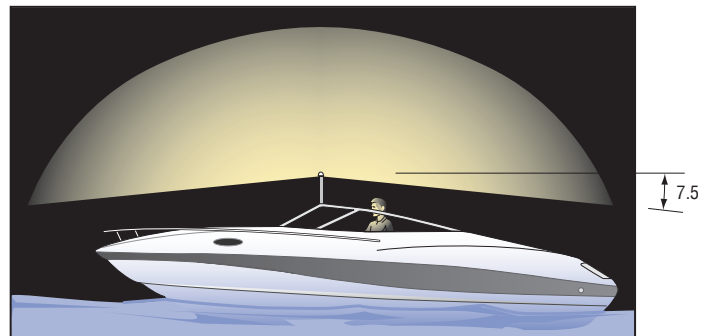
Attwood offers a choice of all-round lights — Anti-Glare and Frosted Globe. Be sure to select the head, pole, and base style that best suits your installation location while eliminating driver glare.

Traditional and LED Anti-Glare Lights

Attwood's Anti-Glare all-round light goes beyond current regulations to reduce the danger of on-board glare. The precision lens focuses the light beam to the horizon where it's needed—360° without diffusion—keeping it out of the driver's field of view. It allows the operator to see while being sure the boat is seen. The bottom aperture eliminates glare by cutting off the light beam at 7.5° below horizontal so it's out of the driver's view. Above horizontal, the lens shines a continuous arc of light—allowing improved visibility even when the boat is pitching in rolling seas. The Articulating Head Anti-Glare light makes it even easier to eliminate glare. The patented articulating head adjusts from 15° fore to 15° aft to fit all base angles and typical deck installations.

Frosted Globe Lights

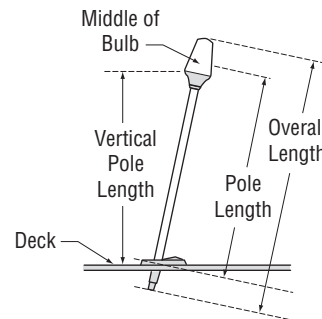
Attwood's Standard Frosted Globe, All-Round light is also available. Frosted Globe lights, when properly located, provide effective 360° visibility.



One-Meter Regulation

All-Round light must be a minimum of one (1) meter (39-3/8") above the red/green sidelights on boats under 12 meters (39.4 ft.). The "One-Meter" must be the height separation measured from bulb filament centers.

Note: Frosted Globe pole lights may be used with straight and angled bases. Unarticulated Anti-Glare pole lights must be selected to match the appropriate straight or angled base.



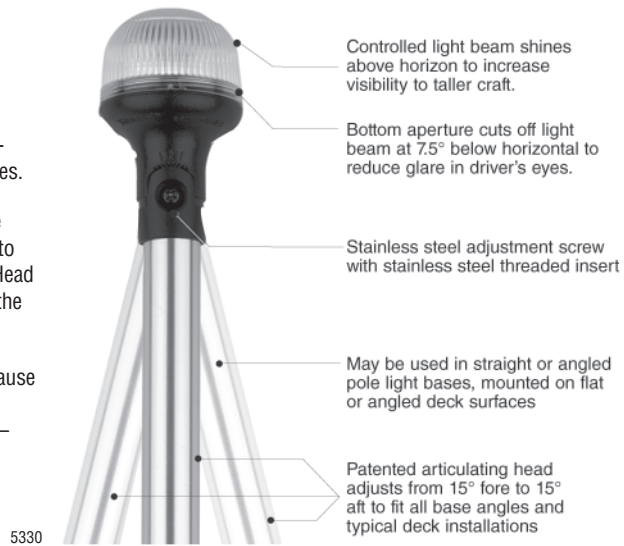
Articulating Anti-Glare All-Round Light

Attwood's newest Anti-Glare lights are a great improvement over conventional all-round lights — they focus light at the horizon and above — not in the driver's eyes.

The bottom aperture reduces glare at 7.5° below horizontal. Above horizontal, the lens shines a continuous arc of light in rolling seas. Makes the boat more visible to taller craft such as freighters and commercial vessels. The patented Articulating Head adjust from 15° forward to 15° aft. Just align the lens to the horizon and tighten the adjustment screw!

The Articulating Anti-Glare light simplifies inventory for builders and retailers because one light fits most angles and installations. Simplifies installation for consumers, too, because the locking collar pole allows installation in 95% of existing bases — Attwood models as well as competitive bases such as Perko® brand.

Perko® is a registered trademark of Perko, Inc.



5330

2 NM
USCG



Locking Collar Pole

Series	Use with Light Base
5330	91020, 91022, 91024, 91026* 91041, 91042, 91043, 911339, 911370, 911445, 911490

* When locking collar is removed.

Description	Pole Length	Bulk Packaging	Aftermarket Packaging**
2-Pin Locking Collar Pole	42"	5330-42-1	5330-42-7
	48"	5330-48-1	5330-48-7
	54"	5330-54-1	—
	60"	5330-60-1	—
	72"	5330-72-1	—

LED Articulating All-Round Light

10 YEAR WARRANTY

- Compatible with both Attwood and Perko bases
- 3 watts at 12VDC
- Lights are completely sealed and watertight
- LED technology keeps lights cool to the touch and is rated for 50,000+ hours of use
- Built-in "Tell Tale" indicators
- Provide 2-mile, 360° visibility for boats up to 39.4 feet (12m)

Series	Use with Light Base
5530	91020, 91022, 91024, 91026* 91041, 91042, 91043, 911339, 911370, 911445, 911490

* When locking collar is removed.

Description	Pole Length	Bulk Packaging	Aftermarket Packaging**
2-Pin Locking Collar Pole	24"	—	5530-24-7
	36"	—	5530-36-7
	42"	5530-42-1	5530-42-7
	48"	5530-48-1	5530-48-7
	54"	5530-54-1	5530-54-7
	60"	5530-60-1	5530-60-7
	66"	5530-66-1	—

** -7 = Clamshell



5530



Locking Collar Pole

ALL-ROUND POLE LIGHTS

Folding Pole All-Round Light

Since all-round lights must be at least “One Meter” above the sidelights, some boats require a longer pole light that is difficult to store.

Attwood’s Folding-Pole All-Round light solves this problem. It has all the features of the patented Articulating Anti-Glare light plus one great advantage — the removable pole folds in half for easy stowage.

The mid-point hinge is corrosion-resistant, glass-filled black plastic with a durable hinge pin. Wiring is sheathed at the hinge for trouble-free operation.



Collar Hold Halves Together When Folded



Mid-Point Hinge



Pole Extended



Series	Use with Light Base
5340	91020, 91022, 91024, 91026* 91041, 91042, 91043, 911339, 911370, 911445, 911490

* When locking collar is removed.

2 NM
USCG

Description	Pole Length	Bulk Packaging	Aftermarket Packaging**
2-Pin Locking Collar Pole	42"	5340-42-1	—
	48"	5340-48-1	5340-48-7
	54"	5340-54-1	5340-54-7
	60"	5340-60-1	—
	72"	5340-72-1	—
	84"	5340-84-1	—



Locking Collar Pole

LED Folding Pole All-Round Light

- Compatible with both Attwood and Perko bases
- 3 watts at 12VDC
- Lights are completely sealed and watertight
- LED technology keeps lights cool to the touch and is rated for 50,000+ hours of use
- Built-in “Tell Tale” indicators
- Provide 2-mile, 360° visibility for boats up to 39.4 feet (12m)

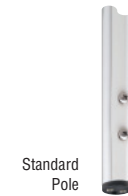
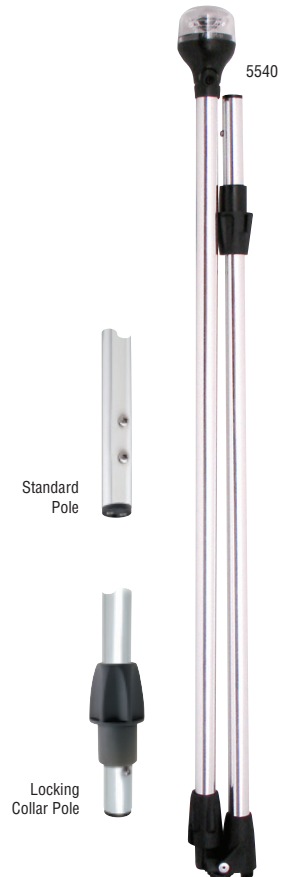


Series	Use with Light Base
5540, 5570	91020, 91022, 91024, 91026* 91041, 91042, 91043, 911339, 911370, 911445, 911490

* When locking collar is removed.

2 NM
USCG

Description	Pole Length	Bulk Packaging	Aftermarket Packaging**
2-Pin Locking Collar Pole	54"	5540-54-1	5540-54-7
	60"	5540-60-1	—
	72"	5540-72-1	—
	84"	5540-84-1	—
	2-Pin Standard Pole	54"	5570-54-1
60"		5570-60-1	—
72"		5570-72-1	—
84"		5570-84-1	—



Standard Pole



Locking Collar Pole

** -7 = Clamshell

ALL-ROUND POLE LIGHTS

Anti-Glare All-Round Light, Straight Pole

Anti-glare lens focuses light beam to reduce glare in driver's eyes. Straight pole, for 90° base with Locking Collar Pole that is adaptable to most competitive bases. 9-watt wedge-base lamp is commonly available in auto, marine and convenience stores.

Series	Use with Light Base
5320	91020, 91022, 91024, 91026* 91041, 91042, 91043, 911339, 911370, 911445, 911490

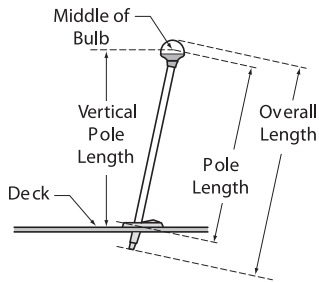
* When locking collar is removed.

2 NM
USCG

Description	Pole Length	Bulk Packaging	Aftermarket Packaging**
2-Pin Locking Collar Pole	42"	5320-42-1	—
	48"	5320-48-1	—
	54"	5320-54-1	—
	60"	5320-60-1	—
	72"	5320-72-1	—



Anti-Glare All-Round Light, Angled Pole



Angled (12°) pole model features either a locking collar or a standard Attwood 2-pin pole. Poles are constructed of 3/4"-diameter aluminum. Lens threads off for easy lamp replacement. Includes commonly available 9-watt wedge-base lamp.

Series	Use with Light Base
5300, 5310	91020, 91022, 91024, 91026* 91041, 91042, 91043, 911339, 911370, 911445, 911490

* When locking collar is removed.

2 NM
USCG

Description	Pole Length	Bulk Packaging	Aftermarket Packaging**
2-Pin Locking Collar Pole	42"	5310-42-1	—
	48"	5310-48-1	—
	54"	5310-54-1	—
	60"	5310-60-1	—
	72"	5310-72-1	—
2-Pin Standard Pole	42"	5300-42-1	—
	48"	5300-48-1	—
	54"	5300-54-1	—
	60"	5300-60-1	—



** -7 = Clamshell

Frosted Globe All-Round Light

Provides 2-mile 360° illumination for boats up to 65.6' (20m). Includes 9-watt wedge-base lamp.

Series	Use with Light Base
5100, 5110	91020, 91022, 91024, 91026* 91041, 91042, 91043, 911339, 911370, 911445, 911490

* When locking collar is removed.

2 NM
USCG

Description	Pole Length	Bulk Packaging	Aftermarket Packaging**
2-Pin Locking Collar Pole	24"	—	5110-24-7
	30"	—	5110-30-7
	36"	—	5110-36-7
	42"	—	5110-42-7
	48"	—	5110-48-7
2-Pin Standard Pole	24"	5100-24-1	—
	30"	5100-30-1	—
	36"	5100-36-1	—
	42"	5100-42-1	—
	48"	5100-48-1	—
	54"	5100-54-1	—
	60"	5100-60-1	—
2-Pin Standard Pole, Black	42"	5100-42B-1	—



Stowaway Light with Plug-In Base

Swivel cover on base protects the socket when light is stowed. Base extends just 3" below deck. 4" L x 1-5/8" W x 1-3/8"-dia. Provides 2-mile 360° illumination for boats up to 65.6' (20m). Includes 911339 base and 9-watt wedge-base lamp. Three countersunk holes for #10 fasteners.

2 NM
USCG

Description	Pole Length	Bulk Packaging	Aftermarket Packaging**
2-Pin Standard Pole with 911339 Base	24"	—	7100A7
	30"	—	7100B7
	36"	—	7100C7



Telescoping Pole Light with ZAMAK Base

For older-style boats, this light features a die-cast ZAMAK base with locking knob that allows pole to be lowered to the gunwale when not in use. Provides 2-mile 360° illumination for boats up to 65.6' (20m). Includes a 9-watt wedge-base lamp. Has three countersunk holes for #10 fasteners.

Note: Adequate clearance is required below deck for pole when lowered.

2 NM
USCG

Description	Pole Length	Bulk Packaging	Aftermarket Packaging**
1" W x 4-1/2" D, 7/8"-diameter	24"	—	7101A7
	30"	—	7101B7



Telescoping Pole Light **new**

Stores easily in less space than a conventional stern light and can be removed quickly from any Attwood pole light base. Aluminum pole telescopes from 26" to 42". Provides 2-mile 360° illumination for boats up to 65.6 ft. (20m). Includes 12-watt lamp.

2 NM
USCG

Description	Pole Length	Bulk Packaging	Aftermarket Packaging**
Telescoping Pole Lights	26" - 42"	—	5610-48-7

** -7 = Clamshell

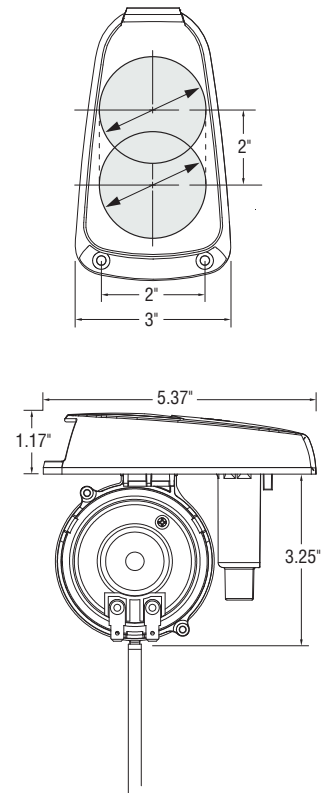
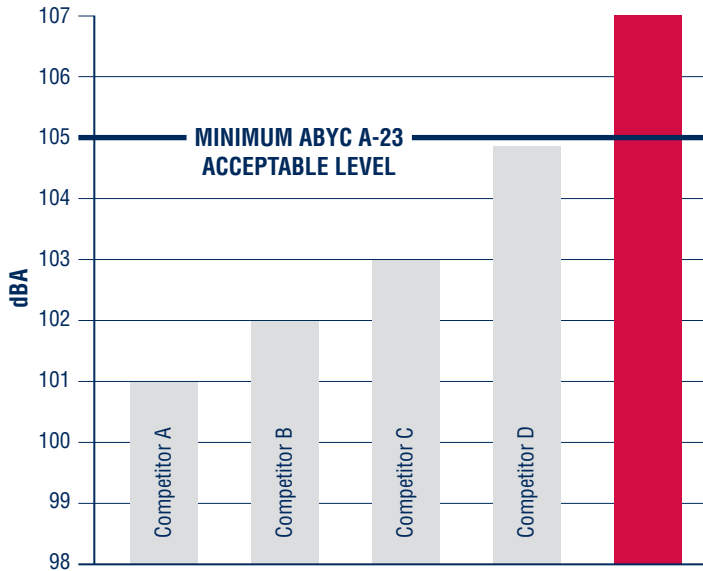
ALL-ROUND POLE LIGHTS

LIGHTING 47

2500 SERIES HORN & LIGHT BASE **new**

Ideal solution for today's fishing boat market. Combining both horn and light base components into one integrated module, Attwood's assembly is compact, robust and easy to install. The acoustic technology provides a louder, more effective and higher quality sounding product than today's current industry offerings. Attwood's patent pending water management system efficiently controls water inrush and eliminates the need for a sound reducing cloth at the horn mouth.


Exceptional Sound Quality



Durable

- Stainless mesh won't tear or puncture like cloth fabric.
- Water management system prevents common horn failures.
- Rubber base cover is flexible to avoid damage if kicked or stepped on.
- Withstands 2500 lb. standing load.
- Horn uses a make/break disc diaphragm to produce a quality tone. The main competitor uses a piezoelectric horn to produce a buzzer sound.

2500 Series Horn & Light Base with Suggested Attwood Pole Lights

Description	Pole Length	Bulk Packaging	Aftermarket Packaging
HORN & LIGHT BASE			
2-Wire	—	2520-1	—
3-Wire	—	2530-1	—
SUGGESTED ATTWOOD POLE LIGHTS			
LED 2-Pin Standard Pole 	10"	3593-10-1	—
	12"	3593-12-1	—
	14"	3593-14-1	—
Incandescent 2-Pin Standard Pole	10"	5097-10-1	—
	12"	5097-12-1	—
	14"	5097-14-1	—



2520 / 2530

PLUG-IN BASES FOR POLE LIGHTS

Easy Lock Pole Light Base

Spring Loaded, Positive Locking System

Our innovative, spring-loaded, positive locking system greatly simplifies all-round light installation. With a simple, one handed motion, you can lock your light securely into place for well-lit night cruising. Removing your light is also a snap – just slide the quick release retainer button and the light is free to remove. In addition to being effortless to operate, the Easy Lock base is extremely robust. Unlike locking collar designs that can loosen over time, the Easy Lock base will safely retain the Attwood pole light in the roughest of weather. For added stability, we have also included four fastener locations to ensure the base will withstand pole whip in extreme conditions.

Clean, Contemporary Look

Blending engineering with design, our updated styling reflects a contemporary look that is functional yet stylish. At only 1.5" in width, the Easy Lock base reflects the needs of customers looking for a product that can be utilized in narrow gunwale applications.

Note: This base accepts many non-Attwood light poles. However the locking function does not operate with other manufacturer's poles.



Light Base	Use with Pole Light
91041, 91042, 91043	Frosted Globe: 5100 Series Anti-Glare: 5300 Series LED Anti-Glare: 5570 Series Bi-Color: 3591 and 5091 Series
91045, 91046, 91047	Bi-Color: 5095 Series



Black Plastic
91041 / 91045



Chrome
91042 / 91046



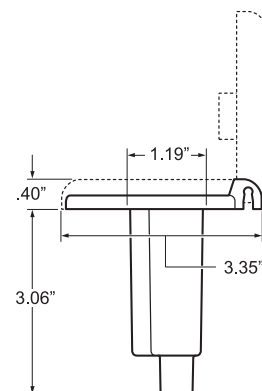
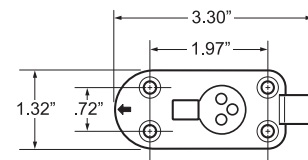
Cast Stainless Steel
91043 / 91047



For Use with Standard Pole

Description	Bulk Packaging	Aftermarket Packaging
2-PIN LIGHT BASE, BLACK		
Black Plastic Cover	91041-1	91041-6
Chrome Cover	91042-1	91042-6
Cast Stainless Steel Cover	91043-1	91043-6
3-PIN LIGHT BASE, BLACK		
Black Plastic Cover	91045-1	91045-6
Chrome Cover	91046-1	91046-6
Cast Stainless Steel Cover	91047-1	91047-6

Easy Lock Pole Light Bases do not work with Locking Collar light poles.



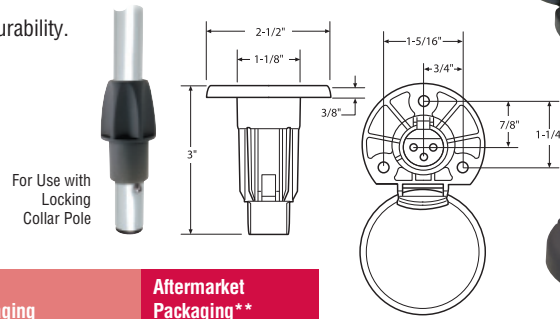
** -6 = Blister

Round Base for Straight Pole

These 2- and 3-pin bases for pole lights with locking collars are well-suited for rough conditions or long poles. They feature a soft rubber cover with a molded-in gasket to protect the socket from moisture and debris when pole light is stowed away. Completely non-corrosive.

- Contacts are nickel-plated to resist corrosion and multi-crimped for durability.
- Wire leads are tinned for corrosion-resistance.

Light Base	Use with Pole Light
91020	Frosted Globe: 5110 Series Anti-Glare: 5310, 5320, 5330 and 5340 Series LED Anti-Glare: 5530 and 5540 Series Bi-Color: 3592, 5092 and 5095 Series
91021	Bi-Color: 5095 Series



For Use with Locking Collar Pole

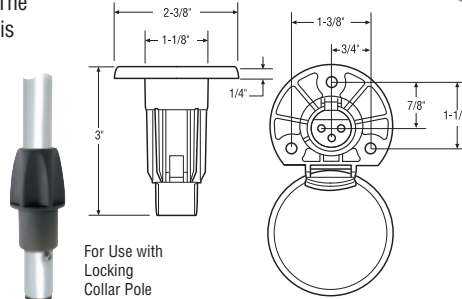
91020 / 91021

Description	Bulk Packaging	Aftermarket Packaging**
2-Pin, Black	91020-1	91020-6
3-Pin, Black	91021-1	91021-6

Round Base with Stainless Steel Cover

Offers clean, fresh styling with a rugged stamped Stainless Steel cover. Perfect for saltwater applications and high-end boats. The round footprint is only 2-3/8" diameter. When closed, profile is only 3/8" high. Insert-molded inner cap seals water out of the socket when cover is closed. Inner socket contains a large drain hole to prevent clogging and contact failure.

Light Base	Use with Pole Light
91024, 91026	Frosted Globe: 5110 Series Anti-Glare: 5310, 5320, 5330 and 5340 Series LED Anti-Glare: 5530 and 5540 Series Bi-Color: 3592 and 5092 Series
91025	Bi-Color: 5095 Series



For Use with Locking Collar Pole

2-3/8" diameter - perfect for OEM installation and aftermarket replacement

Highly polished stamped stainless steel cover. Clean style - hides installation fasteners.

Large drain hole prevents water collection, clogging from debris, and pin contact corrosion

Insert-molded inner cap seals water out of the socket

Easy, strong three screw installation

Multi-crimped contacts increase durability

Available in 2-pin and 3-pin contact

Wire leads are tinned for corrosion-resistance
Nickel-plated contacts resist corrosion

91024 / 91025

Description	Bulk Packaging	Aftermarket Packaging**
2-Pin, Black	91024-1	91024-6
2-Pin, White	91026-1	—
3-Pin, Black	91025-1	91025-6

Oval 2-Pin Base for Angled Pole

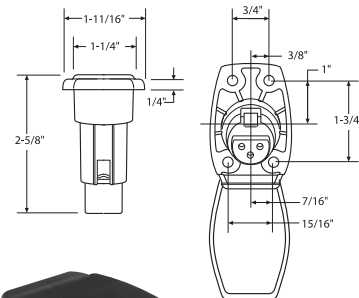
This tough, resilient 2-pin base is used for angled pole lights with locking collars. Ideal for installation in close quarters, such as narrow gunwales or deck areas. Narrow base has a soft rubber cover with a gasket to seal the socket.

- Contacts are nickel-plated to resist corrosion and multi-crimped for durability.
- Wire leads are tinned for corrosion-resistance.

Light Base	Use with Pole Light
91022	Frosted Globe: 5110 Series Anti-Glare: 5310, 5330 and 5340 Series LED Anti-Glare: 5530 and 5540 Series Bi-Color: 3591, 910851 and 5091 Series



For Use with Locking Collar Pole



91022

Description	Bulk Packaging	Aftermarket Packaging**
2-Pin, Black	91022-1	91022-6

** -6 = Blister

ZAMAK 2-Pin Base for 12° Angled Pole

Base is constructed of die-cast ZAMAK chrome-plated finish. Swivel cover protects the socket when light is stowed away. Socket is keyed to prevent incorrect insertion of pole light. Three countersunk holes for installation fasteners. Includes 7-1/2" hard wire leads for connection to 12 VDC power supply.

Dimensions: 4" long x 1-5/8" wide. 1-3/8" dia. installation hole size.

- Contacts are nickel-plated to resist corrosion and multi-crimped for durability.
- Wire leads are tinned for corrosion-resistance.

Light Base	Use with Pole Light
911339	Frosted Globe: 5110 Series Anti-Glare: 5300 Series Bi-Color: 910851 and 5091 Series

Description	Bulk Packaging	Aftermarket Packaging**
2-Pin	911339-1	911339-7



Square 2-Pin Base for Straight Poles

2-pin base for traditional-style Attwood pole lights, constructed of nylon. Hinged cover snaps closed to keep dirt and water out when light is stowed. Socket is keyed to prevent incorrect insertion of pole lights. Four countersunk holes for installation of fasteners. Includes 7-1/2" hard wire leads for connection to 12 VDC power supply.

Dimensions: 2-1/4"-long x 1-3/4" wide. 1-1/4" diameter installation hole size.

- Contacts are nickel-plated to resist corrosion and multi-crimped for durability.
- Wire leads are tinned for corrosion-resistance.

Light Base	Use with Pole Light
911370, 911445	Frosted Globe: 5100 Series Anti-Glare: 5300 Series LED Anti-Glare: 5570 Series Bi-Color: 3591 and 5091 Series

Description	Bulk Packaging	Aftermarket Packaging
2-Pin, Black	911370-1	—
2-Pin, White	911445-1	—



Vertical Mount with Pin Contacts

Can be mounted on flat windshield frame and includes a "V" adapter for mounting on angled windshield frame. Also for use as a transom mount in open utility boats. Black plastic with hinged lid that closes to keep dirt and water out when stowed away. Two holes for #8 screws. Includes 7-1/2" hard wire leads for connection to 12 VDC power supply. **Dimensions:** 4-1/4" long x 1-1/2" wide x 1-1/8" high.

- Contacts are nickel-plated to resist corrosion and multi-crimped for durability.
- Wire leads are tinned for corrosion-resistance.

Light Base	Use with Pole Light
911370, 911445	Frosted Globe: 5100 Series Anti-Glare: 5300 Series LED Anti-Glare: 5570 Series Bi-Color: 3591 and 5091 Series

Description	Bulk Packaging	Aftermarket Packaging
2-Pin, Black	911490-1	—

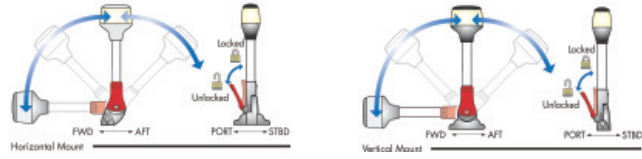


** -7 = Clamshell

ALL-ROUND FOLD-DOWN LIGHTS WITH CAM-LOCK ADJUSTMENT

Two-mile, 360° visibility for use on boats up to 39.4 ft. (12 meter).

- Fold-Down bases allow light to swing 180°
- Big cam-lock, handle is easy to grasp
- Once locked, stays locked in normal conditions
- In extreme conditions, if a 12ft./lb. force hits the base, the cam lock releases and allows base to swing down, reducing the chance of breakage to base or pole
- All wiring is concealed and protected within the pivoting base
- Materials are non-corrosive. Bases are glass-filled polymer and poles are highly anodized aluminum or sturdy black plastic
- Bases install with two required #10 fasteners



2 NM
USCG

Description	Pole Length*	Bulk Packaging	Aftermarket Packaging**
GLOBE STYLE LIGHTS			
Vertical Mount	12" Aluminum Pole	5121-12-1	—
Horizontal Mount	12" Aluminum Pole	5120-12-1	—
With vertical and horizontal mounts	12" Aluminum Pole	—	5123-12-7
ANTI-GLARE LIGHTS			
Vertical Mount	12" Aluminum Pole	5351-12-1	—
	24" Black Plastic Pole	5356-24-1	—
Horizontal Mount	12" Aluminum Pole	5350-12-1	—
	20" Aluminum Pole	5350-20-1	—
	7" Black Plastic Pole	5355-07-1	—
With vertical and horizontal mounts	24" Black Plastic Pole	5355-24-1	—
	12" Aluminum Pole	—	5357-12-7
	20" Aluminum Pole	—	5357-20-7
	12" Black Plastic Pole	—	5358-12-7
LED ANTI-GLARE LIGHTS			
Vertical Mount	12" Aluminum Pole	5551-12-1	—
Horizontal Mount	12" Aluminum Pole	5550-12-1	—
	20" Aluminum Pole	5550-24-1	—
With vertical and horizontal mounts	12" Aluminum Pole	—	5557-12-7
	20" Aluminum Pole	—	5557-20-7
	12" Black Plastic Pole	—	5558-12-7
CAM-LOCKING BASE ADAPTERS			
Vertical Base Adapter		913691-1	—
Horizontal Base Adapter		913692-1	—
Rail Mount Base Adapter (for horizontal bases only)		913693-1	—



Frosted Globe

Include 9-watt wedge base lamp.
5100 Series



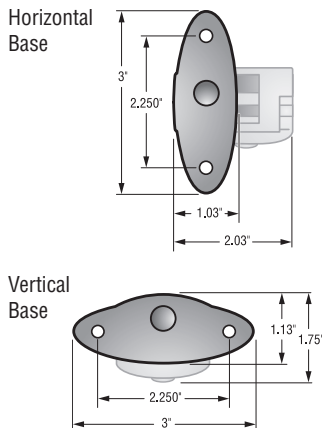
Articulating Head Anti-Glare

Include 9-watt wedge base lamp.
5350 Series



LED Articulating Head Anti-Glare

Draws 20% less power than traditional all-round lights
5550 Series



Vertical Mount

Horizontal Mount

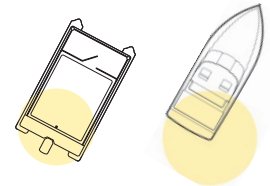
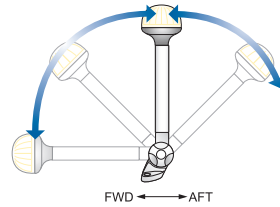
* Additional lengths and configurations available upon request.
** -7 = Clamshell

ALL-ROUND FOLD-DOWN LIGHTS WITH TURNING KNOB ADJUSTMENT

Two-mile, 360° visibility for use on boats up to 39.4 ft. (12 meter).

Attwood now offers in folding navigational lights with two new base styles. In addition to Attwood's popular cam locking folding base, Attwood has developed a series of highly styled, compact cast metal bases that are robust enough for longer pole applications. Attwood's chrome plated ZAMAK version provides a high quality polished look that fits on most bimini top rails. Attwood utilizes a proprietary plating technique that ensures that this product will be extremely durable and perform admirably in saltwater applications. Attwood's Stainless version utilizes Attwood's enhanced blend of 316 Stainless Steel for a truly premium offering.

Fold-Down bases allow light to swing 180°. Bases install with two required #10 fasteners.



2 NM
USCG

Description	Pole Length*	Bulk Packaging	Aftermarket Packaging
GLOBE STYLE LIGHTS			
ZAMAK - Horizontal Mount	12" Aluminum Pole	5120-12Z1	—
Stainless Steel - Horizontal Mount	12" Aluminum Pole	5120-12S1	—
ANTI-GLARE LIGHTS			
ZAMAK - Horizontal Mount	12" Aluminum Pole	5350-12Z1	—
	20" Aluminum Pole	5350-20Z1	—
	24" Aluminum Pole	5350-24Z1	—
Stainless Steel - Horizontal Mount	12" Aluminum Pole	5350-12S1	—
	20" Aluminum Pole	5350-20S1	—
	30" Aluminum Pole	5350-30S1	—
Plastic Bases	12" Aluminum Pole	5360-12-1	—
	24" Aluminum Pole	5360-24-1	—
	30" Aluminum Pole	5360-30-1	—
LED ANTI-GLARE LIGHTS			
ZAMAK - Horizontal Mount	12" Aluminum Pole	5550-12Z1	—
	24" Aluminum Pole	5550-24Z1	—
	42" Aluminum Pole	5550-42Z1	—
Stainless Steel - Horizontal Mount	12" Aluminum Pole	5550-12S1	—
	18" Aluminum Pole	5550-18S1	—
	20" Aluminum Pole	5550-20S1	—
	24" Aluminum Pole	5550-24S1	—
	30" Aluminum Pole	5550-30S1	—
	36" Aluminum Pole	5550-36S1	—
42" Aluminum Pole	5550-42S1	—	
BASE ADAPTERS			
Rail Mount		912661-1	—



Frosted Globe

Include 9-watt wedge base lamp.
5100 Series



Articulating Head Anti-Glare

Include 9-watt wedge base lamp.
5350 Series

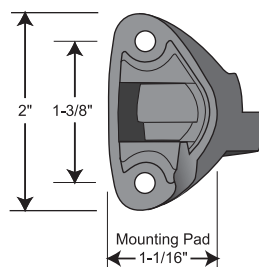


LED Articulating Head Anti-Glare

Draws 20% less power than traditional all-round lights
5550 Series



912661



Stainless Steel Base



ZAMAK Base

* Additional lengths and configurations available upon request.

Fixed Base All-Round Pole Lights

Two-mile, 360° light visibility for use on boats up to 39.4 ft. (12 m). Fixed base or use on pontoons, hard tops, and radar arches. Aluminum Pole. Base dimensions are 2-1/2" long x 1" wide. Installs with two required #10 fasteners. Includes 9-watt wedge base lamp.



2 NM
USCG

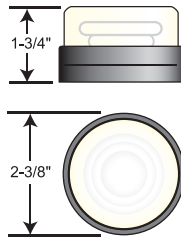
Description	Pole Length	Bulk Packaging	Aftermarket Packaging**
Globe Style	8"	5122-08-1	5122-08-7
Anti-Glare	8"	5352-08-1	5352-08-7
LED Anti-Glare	8"	5552-08-1	5552-08-7



LED Waketower All-Round Light

Compact size designed for installation on a wakeboard tower, radar arch, hard top, poling platform, tuna tower, or other fixed structure. Direct LED replacement for Attwood's incandescent 5940 series. For pleasure craft up to 39.4 ft (12 meters)

- 2-Mile 360° visibility
- 3 Watts at 12 VDC
- Full sealed electronics



10
YEAR
WARRANTY

2 NM
USCG

Description	Bulk Packaging	Aftermarket Packaging**
12" Wire Leads	5580-1	5580-7
210" Wire Leads	5581-1	—



5580

Deck Mounted All-Round Lights

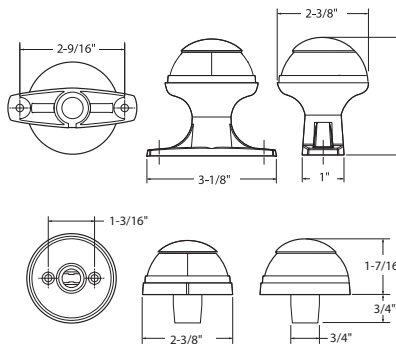
7" leads for connection to 12 VDC power supply. Twist/bayonet lock secures lens and cover to base, and provides easy lamp replacement. Includes an 9-watt wedge base lamp. Installs directly to deck with two required #10 fasteners.

Raised Base

3" high raised base is ideal for mounting above obstructions such as rails and hardware. Notch in rear of mounting base provides passage for wire leads.

Deck Mount

Light mounts flush, making it ideal for installation atop the tow piece on ski or wakeboard boat towers.



1 NM
USCG

Description	Bulk Packaging	Aftermarket Packaging**
3" Raised Base, Black	5980-1	5580-7
Deck Mount, Black	5940-1	5940-7



5980



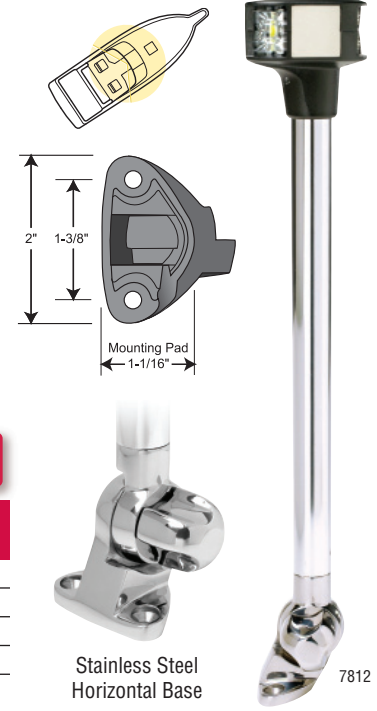
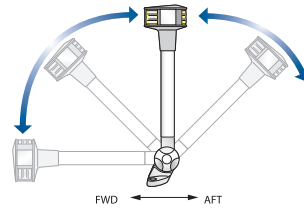
5940

** -7 = Clamshell

LED 3-Mile Anchor/Masthead Lights

Attwood is proud to introduce one of the most innovative navigational lighting products available today. Achieving 3NM of 360 degree visibility while drawing a fraction of the power of traditional incandescent lights, Attwood's 3NM LED Masthead/Anchor light is one of the first of its kind. Constructed of corrosion resistant composites with stainless steel accents, this product was designed for the harsh coastal marine environment. All lights come equipped with a durable folding base cast from Attwood's blend of enhanced 316 stainless steel alloy.

- 4.5 watts and 12VDC
- Constructed of corrosion-resistant composites with stainless steel accents
- 3-Mile, 360° light visibility for use on boats up to 65.6 ft. (20 meters)

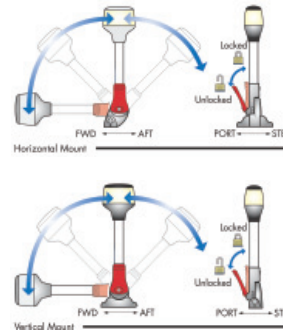


Description	Pole Length	Bulk Packaging	Aftermarket Packaging**
Stainless Steel - Horizontal Mount	12" Aluminum Pole	7812S1	7812-7
	24" Aluminum Pole	7824S1	—
	36" Aluminum Pole	7836S1	—
	42" Aluminum Pole	7842S1	—

3-Mile Anchor/Masthead Lights

Three-mile, 360° light visibility for use on boats up to 65.6 ft. (20 meters).

- Simple one-piece lens for good looks and water sealing
- Quick, reliable cam-lock for tilt and adjustment. Can not vibrate loose
- Concealed, protected wiring at the base
- Uses two festoon-style 8-watt lamps
- Typical installation requires two #10 Stainless Steel screws of length suitable for deck or rail material
- Will collapse and not break if accidentally hit



For base dimensions see page 52.

Description	Rated Voltage	Pole Length	Bulk Packaging	Aftermarket Packaging**	
Horizontal Mount	Plastic	12V	8"	7208-1	—
		12V	12"	7212-1	—
		12V	20"	7220-1	—
		24V	8"	7250-1	—
		24V	12"	7252-1	—
		24V	20"	7254-1	—
		ZAMAK	12V	12"	7212Z1
Vertical Mount 12V 8" 7408-1	—	12V	8"	7812S1	—
		12V	12"	7408-1	—
		12V	20"	7420-1	—
		24V	8"	7451-1	—
		24V	12"	7453-1	—
		24V	20"	7455-1	—
		With Vertical and Horizontal Mounts	12V	12"	—
12V 12" — 7201-7	12V	20"	—	7202-7	
Base Adapter, Vertical	—	—	913691-1	—	
Base Adapter, Horizontal	—	—	913692-1	—	
Rail Mount Base Adapter (for horizontal bases only)	—	—	913693-1	—	

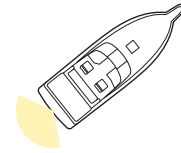
** -7 = Clamshell



LED 3-Mile Transom Light

For pleasure craft up to 164 ft. (50m) in length, Attwood offers one of the first 3NM LED transom navigational lights. Creating 135 degrees of light at 3NM of visibility. A truly unique design, Attwood's transom light includes a luxurious electropolished stainless cover that is both durable and great looking. Attwood wraps it all together with an easy to install, "surface mount" design that utilizes a snap feature to eliminate exposed fasteners. 3 inch diameter.

- 1.5 watts at 12 VDC
- Compatible with both Attwood and Perko mounting holes

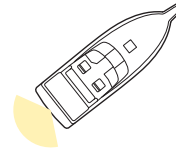


6556

Description	Bulk Packaging	Aftermarket Packaging**
Stainless Steel	6556-1	6556-7

Vertical, Flush Mount Transom Light

Light provides 2-mile, 135° transom visibility for pleasure craft up to 164 ft. (50 meters) in length. 304 stainless steel with a plastic body and watertight lamp socket. The Round transom light body is translucent so it shines on both sides of a bulkhead! It can be used to light an interior compartment and may also be used as a cockpit courtesy light. Rubber gasket seals lens and body to mounting surface. Includes one 7.5-watt lamp and two stainless steel #10 screws. Patented design.



6356D

Description	Dimensions	Bulk Packaging	Aftermarket Packaging**
Round	3" dia.	6356D1	6356D7
Rectangular	4-11/16"L x 2-11/16"H x 2"D	—	66382-7



66382

** -7 = Clamshell

LED MARINE LIGHTING

LED Tape Lighting **new**

Flexible and ultra-sleek, strip lighting can be used in a multitude of applications. From concealed lighting on your watercraft to perimeter lighting on your home, these water-resistant adaptable lights will meet your needs.

Comes mounted on a flat tape base and can be easily mounted to most flat non-conductive surfaces. Can be cut to size and reconnected.

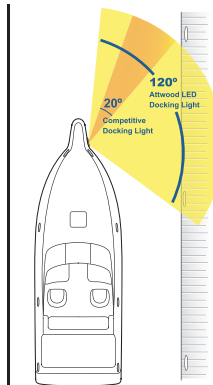
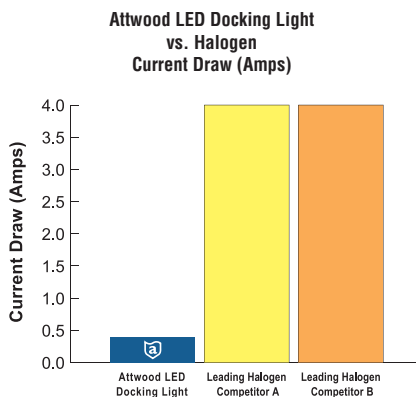
Description	Length	Bulk Packaging	Aftermarket Packaging
White LED	9"	6365W1	—
	18"	6366W1	—
	36"	6367W1	—
Blue LED	9"	6365B1	—
	18"	6366B1	—
	36"	6367B1	—
Red LED	9"	6365R1	—
	18"	6366R1	—
	36"	6367R1	—



6365, 6366, 6367

LED Docking Light

- Light draws a fraction of the power while producing a brighter output, 5 watts at 12 VDC each. Transmits light in a much broader pattern as opposed to a narrow beam generated by today's competitors.
- At less than 1" thick, the lights are designed to be mounted directly to the surface of the hull with only a small hole for wiring and 5 screws for attachment. Requires (2) #8 x Stainless Steel Phillips Head Screws (not included).
- Attwood LED technology allows the light to stay cool to the touch.
- Backed by a 10-year warranty, Attwood's LED docking light is designed with the most extreme conditions in mind. Attwood uses only the highest grade Stainless and aluminum components to ensure the product will be resistant to corrosion. To ensure the light is watertight, all electrical components are fully sealed.
- Attwood's simple one-piece cover allows for the ultimate in customization.
- Dimensions: 4-1/8" H x 8-1/8" W x 3/4" D



Description	Bulk Packaging	Aftermarket Packaging**
Stainless Steel Bezel, White LED, Pair	6521SS1	6520SS4



6521SS

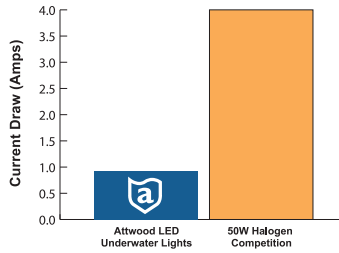
** -4= Individual Carton

LED Underwater Lights 5 Inch Series

Leveraging our proprietary design and development capabilities, Attwood has developed a convenient solution to the growing demand for underwater lighting applications. Attwood is proud to introduce its new, higher performance, surface mount LED underwater light.

Brighter Light and Lower Amp Draw

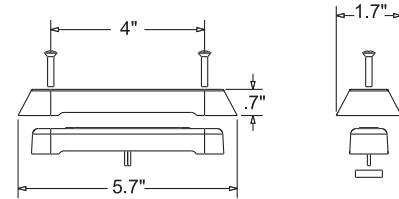
Compared to its 50-watt halogen competition, the Attwood underwater lighting draws only a fraction of the power while producing a significantly brighter output.



Easier, Surface Mount Installation

Aside from efficiency and performance, Attwood's underwater light is unmatched in ease of installation. Today's underwater lighting products are extremely heavy, require a large thru-hull cut below the water line and involve several additional steps for installation. With only a small hole for wiring and 2 screws for attachment, Attwood's LED surface mount design makes installation as quick and effortless as possible.

- Requires (2) #8 x Stainless Steel Phillips Head Screws (not included)
- 14 watts at 12 VDC



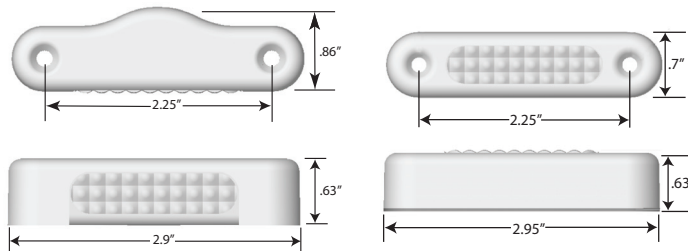
Description	Bulk Packaging	Aftermarket Packaging**
Stainless Steel Bezel, White LED	6510SS1	6510SS4
Stainless Steel Bezel, Blue LED	6511SS1	6511SS4
Stainless Steel Bezel, Green LED	6512SS1	6512SS4
Bronze Chrome Plated, White LED	6510CB1	—



6510, 6511, 6512

LED Oval Spot / Underwater Lights 3-Inch Series

Oval Lights are 3/4" wide and are perfect for surface mounting on rails, transoms, and swim platforms. These LED lights exceed the output of comparable halogen lights while using 20% of the power. Lights stay cool to the touch and eliminate the burn hazard that halogen lighting can present. Fully potted electronics and stainless steel housing allow for interior and exterior mounting – even underwater! Rated for 50,000+ hours of life. For 12-VDC systems.



- 1.5 watts at 12 VDC

Description	Color	Bulk Packaging	Aftermarket Packaging**
Horizontal Mount	White	6343SS1	—
	Red	6343RSS1	—
	Blue	6343BSS1	—
	Green	6343GSS1	—
Vertical Mount	White	6344SS1	—
	Red	6344RSS1	—
	Blue	6344BSS1	—
	Green	6344GSS1	—
Oval Light, Horiz & Vert Mount Bezels	White	—	6343SS7



6343



6344

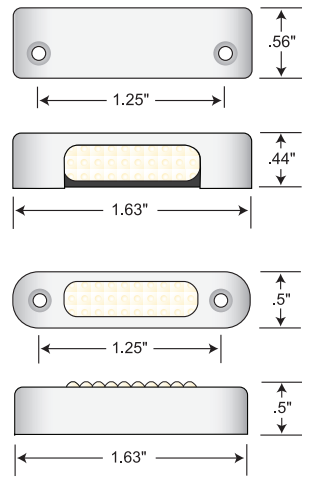
** -4= Individual Carton, -7 = Clamshell

LED Micro Lights

Offers industry leading light output in a package that is extremely compact. With electropolished Stainless covers and fully sealed electronics, the micro light performs through the harshest conditions. Can be used in rod storage boxes without risk of water damage, under hardtops or even mounted to rails. 3/4 watts at 12 VDC



Description	Color	Bulk Packaging	Aftermarket Packaging**
Stainless Steel Bezel, Vertical Mount	White	6350W1	—
	Red	6350R1	—
	Amber	6350A1	—
	Blue	6350B1	—
	Green	6350G1	—
	UV	6350U1	—
Stainless Steel Bezel, Horizontal Mount	White	6351W1	—
	Red	6351R1	—
	Amber	6351A1	—
	Blue	6351B1	—
	Green	6351G1	—
	UV	6351U1	—
Stainless Steel Bezel, Horizontal and Vertical Mount White	White	—	6350W7
	Red	—	6350R7
	Amber	—	6350A7
	Blue	—	6350B7



LED Mini Courtesy Lights

Attwood's 1" mini LED courtesy light offers excellent performance in an affordable package. Designed to be installed with just a hole saw, the mini's rubber grommet eliminates fasteners and allows for quick and easy installation. Comes with fully sealed electronics, will perform in almost any interior or exterior application. Compact - only 1" in diameter. Quick and easy installation - simply drill a hole and press fit.



Description	Color	Bulk Packaging	Aftermarket Packaging**
Rubber Grommet, Black	White	6317-1	6317-7
	Amber	6316-1	6316-7
	Red	6318-1	6318-7
	Blue	6319-1	6319-7
	White (Two pack)	—	6317PR6



LED Livewell & Bulkhead Lights

Perfect lighting for low-current, all-weather and submersible applications. For thru-mounting on livewell tanks and bulkheads. These lights are simple to install, shock-proof, waterproof, and guaranteed for trouble-free performance. 1.5" diameter. 90% less battery drain than comparable-output incandescents.



Description	Bulk Packaging	Aftermarket Packaging**
Red, helps preserve night vision	6311-1	6311-7
White, bright, sharp detail	6312-1	6312-7
Amber, softer hue, for cockpits & companionways	6313-1	6313-7



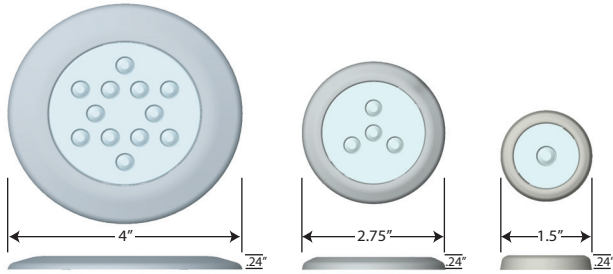
** PR6/-7= Clamshell



LED Round Interior / Exterior Lights



These LED lights exceed the output of comparable halogen lights while using 20% of the power. Lights stay cool to the touch and eliminate the burn hazard that halogen lighting can present. Fully potted electronics and stainless steel housing allow for interior and exterior mounting. Rated for 50,000+ hours of life. For 12-VDC systems. Additional LED colors are available upon request. Contact your Attwood Sales Representative for details.



Description	LED Color	Bulk Packaging	Aftermarket Packaging**
4" ROUND INTERIOR LIGHT, 3 WATTS @ 12 VDC			
Stainless Steel Bezel	White	6340SS1	6340SS7
	Warm White	6345SS1	—
	Warm White + Red	6348SS1	—
	White + Red	6352SS1	—
Satin Nickel Finish	Warm White + Red	6348SN1	—
Powder Coated White Bezel	Warm White + Red	6345W1	—
2.75" ROUND INTERIOR LIGHT, 1.8 WATTS @ 12 VDC			
Stainless Steel Bezel White	White	6341SS1	6341SS7
	Warm White	6346SS1	—
	Warm White + Red	6349SS1	—
Black Plastic Bezel	White	6320B1	6320B7
	Amber	6321B1	6321B7
	Red	6322B1	6322B7
	Blue	6323B1	6323B7
	Green	6324B1	6324B7
White Plastic Bezel	White	6320W1	6320W7
	Amber	6321W1	6321W7
	Red	6322W1	6322W7
	Blue	6323W1	6323W7
	Green	6324W1	6324W7
Powder Coated White Bezel	Warm White	6346W1	—
1.5" ROUND COURTESY LIGHT, 1.1 WATTS @ 12 VDC			
Stainless Steel Bezel	White	6342SS1	6342SS7
	Warm White	6347SS1	—
	Amber	6342A1	6342A7
	Red	6342R1	6342R7



6320W



6320B



6342

** -7 = Clamshell

BATTERY OPERATED LIGHTS

For night time operation of small boats and tenders without 12-volt electrical systems. Removable for safekeeping. These lights are not intended to meet Coast Guard regulations. Not for use on boats which can exceed speeds of 7 knots.

LED Battery Operated Lights

LED technology uses 66% less energy than comparable output incandescents. Molded on-piece body construction. Requires three "C" batteries (not included). Clamp-on attachment for a variety of surface thicknesses.



14176



14159



14160



14174

Description	Bulk Packaging	Aftermarket Packaging**
BI-COLOR BOW LIGHT		
Camouflage light with black bracket	—	14176-7
Clamp-on light, gray	—	14159-7
ALL-ROUND STERN LIGHT		
Camouflage light with black bracket*	—	14174-7
Clamp-on light, gray*	—	14160-7

Traditional Style Battery Operated Lights

Feature a krypton bulb that burns bright and lasts long. Constructed of rugged high-impact resin. Easy, thumb switch operation. Requires 2 "D" cell batteries (not included). Clamp-on attachment for a variety of surface thicknesses or suction cup attachment for inflatables and other boats where screws cannot be used.



14259



14276



14265



14274

Description	Bulk Packaging	Aftermarket Packaging**
BI-COLOR BOW LIGHT		
Camouflage light with black bracket	—	14276-7
Clamp-on light, gray	—	14259-7
Suction cup light, gray	—	14265-7
ALL-ROUND STERN LIGHT		
Camouflage light with black clamp-on bracket*	—	14274-7
Clamp-on light, gray*	—	14260-7
Suction cup light, gray	—	14266-7



14266

* Clamp-on attachment can be rotated for horizontal or vertical attachment

** -7 = Clamshell

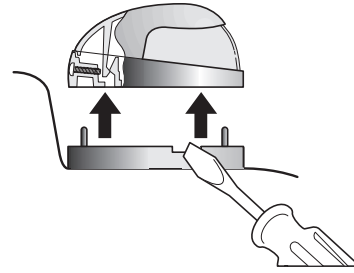
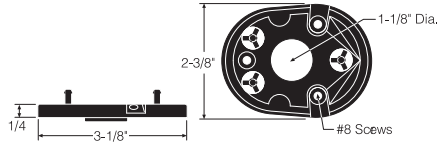
ACCESSORIES FOR NAVIGATION LIGHTING



Snap-On Bases

This ingenious base makes Quasar® sidelights even easier to install and maintain! Base is 1/4" high, designed for contoured decks. Base attaches to the deck with screws, then the Quasar light simply snaps on or off.

Quasar lights are listed on page 34.



Description		Bulk Packaging	Aftermarket Packaging
Snap-on base, 1/4" high	Black	3300-1	—
	White	3301-1	—
	Cream	3304-1	—
Watertight Gasket		910467-1	—



Pole Light Storage Clips

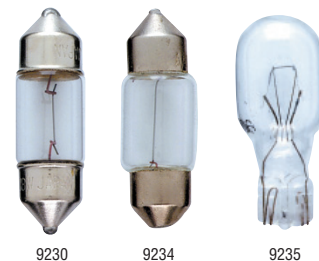
New design holds larger diameter anti-glare pole lights. Resilient plastic clip holds standard 3/4"-diameter poles. Ideal for storing and protecting plug-in pole lights when mounted in engine wells or lockers. Installs with one #8 fastener.

Dimensions	Description	Bulk Packaging	Aftermarket Packaging**
2" L x 1-1/2" H	Black	7571-1	7571L7



Replacement Lamps

Description	Application	Part# Series	Bulk Packaging	Aftermarket Packaging**
Festoon, 8-watt	Quasar sidelights Masthead, 12V	3100, 3830, 7200 7400	—	9230-7
#12866, 10-watt	Masthead	7300	—	9234-7
#906 Wedge Base, 9-watt	Pulsar sidelights and All-round lights, All-round anti-glare, new-style frosted globe	5040 thru 80, 3900, 5900, 5100, 5110, 5300, 5310, 5320, 5330, 5340	—	9235-7
#90, 7.5-watt	Stainless Steel 1-mile sidelights and 2-mile Transom lights	66318, 66319, 66320, 66314, 6356D, 66382, 6375, 6358, 6357	—	9232-7
#1004, 12-watt	All-Round Frosted	7100, 7101, 7105 thru 9	—	9233-7
Festoon, 8-watt	Masthead, 24V	7250, 7450	910409	—
Bayonet, 10-watt		3810, 3820	912717	—



9230 9234 9235



9232 9233

** -7 = Clamshell

REPLACEMENT LENSES FOR NAVIGATION LIGHTING

Masthead and Transom Replacement Lenses

Description	Application	Part# Series	Bulk Packaging	Aftermarket Packaging
Clear, fresnel	Masthead	7300	911363-1	—
	Transom, Round	6356D	6356-03-1	—



911363



6356-03

Replacement Lenses for All-Round Lights



91017B



9024-05



6724-05



5424-71

Description	Application	Part# Series	Bulk Packaging	Aftermarket Packaging**
All-round frosted globe	New Style frosted and Early Attwood models	5100, 5110 7100, 7101, 7105, 7109 7205, 910958, 910957	91017B1	91017B7
	360° Globe	Early Attwood models	9000	—
		6700	6724-05-1	—
Globe	Early Attwood models	4900, 5400, 5401	5424-71-1	—
Anti-glare	Pole lights, new style	5300, 5310, 5320 5330, 5340	912852	912852-7
		Pole lights, old style	3900	912021
	Deck mount lights, new style	5900	912091F	—



912021



912091F



912852

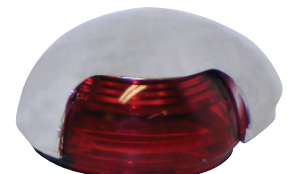


Cover / Lens Replacement Parts

Description	Cover Color	Part# Series	Bulk Packaging	Aftermarket Packaging
Cover only	Black	3100	912392B	—
	White	3100	912392W	—
	Cream	3100	912392C	—
	Chrome	3100	912406	—
Cover only	Black	3150R, 3130	912393B	—
	White	3150R, 3130	912393W	—
	Cream	3150R, 3130	912393C	—
	Chrome	3150R, 3130	912407	—
Cover only	Black	3150G, 3130	912394B	—
	White	3150G, 3130	912394W	—
	Cream	3150G, 3130	912394C	—
	Chrome	3150G, 3130	912408	—



912406



912407



912408

** -7 = Clamshell

Replacement Lenses / Covers for Sidelights



912091A



912091B



912091C



913068SA

Description	Cover Color	Part# Series	Bulk Packaging	Aftermarket Packaging
Bi-color, Red/Green Cover and Lens	Black	5045	912091A	—
	White	5045	912091AW	—
	Cream	5045	912091AC	—
	Stainless Steel	5045	913068SA	—
Red/Port Cover and Lens	Black	5040	912091B	—
	White	5040	912091BW	—
	Cream	5040	912091BC	—
	Stainless Steel	5040	913068SB	—
Green/Starboard Cover and Lens	Black	5040	912091C	—
	White	5040	912091CW	—
	Cream	5040	912091CC	—
	Stainless Steel	5040	913068SC	—



913068SB



913068SC

Sidelight Replacement Lenses

Description	Application	Part# Series	Bulk Packaging	Aftermarket Packaging
Green/Starboard	Stainless Steel, Vertical Mount	66314	66315-1	—
Red/Port	Stainless Steel, Vertical Mount	66314	66316-1	—
Bi-Color, Red/Green	Chrome, Zinc Sidelights (post-8/82)	6368, 6375D, 6377D/E/F, 6383, 6385D, 6389, 6397D/E/F, 910851, 911531, 911651	6375-205-1	—



66315



66316



6375-205